



General Description

The MIC2775 is a power supply supervisor that provides under-voltage monitoring, manual reset capability, and power-on reset generation in a compact 5-pin SOT package. Features include an under-voltage detector, a delay generator, a manual reset input, and both active-high and active-low reset outputs. The under-voltage detector compares V_{DD} against a fixed threshold. Ten factory-programmed thresholds are available.

The reset outputs are asserted for no less than 140ms at power-on and any time the input voltage drops below the reference voltage. It remains asserted for the timeout period after the input voltage subsequently rises back above the threshold boundary. A reset can be generated at any time by asserting the manual reset input, /MR. This reset output will remain active at least 140ms after the release of /MR. The /MR input can also be used to daisy-chain the MIC2775 onto existing power monitoring circuitry or other supervisors. Hysteresis is included to prevent chattering due to noise. Typical supply current is a low 3.5 μ A.

Features

- Monitors power supply for under-voltage conditions
- Choice of factory-programmed thresholds
- Generates 140ms (minimum) power-on RESET pulse
- Manual reset capability
- Both active-high and active-low RESET outputs
- /RST output valid down to 1.2V
- Ultra-low supply current, 3.5 μ A typical
- Rejects brief input transients
- No external components
- Pin compatible upgrade for MAX825
- IttyBitty™ 5-pin SOT-23 package

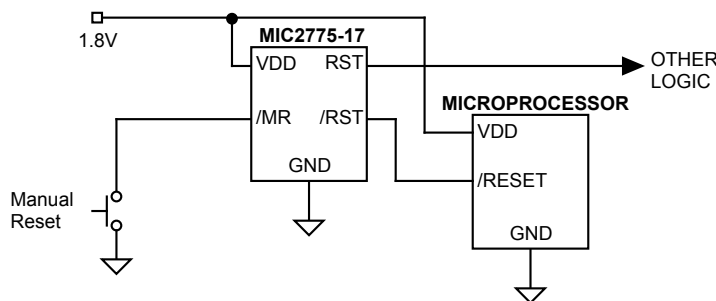
Applications

- Monitoring processor core and input/output voltages
- Computer systems
- PDAs, hand-held PCs
- Embedded controllers
- Telecommunications systems
- Power supplies

Ordering Information

Part Number				Junction Temp. Range	Package
Standard	Marking	Pb-Free	Marking		
MIC2775-XXBM5	UJXX	MIC2775-XXYM5	UJXX	-40°C to +85°C	SOT-23-5

Typical Application

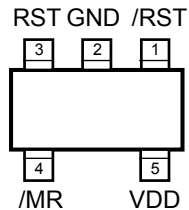


Standard Voltage Options*

Voltage Code	Typical Application (V_{DD})	Nominal Threshold Voltage (V_{TH})
46	5.0V \pm 5%	4.68
44	5.0V \pm 10%	4.43
31	3.3V \pm 5%	3.09
29	3.3V \pm 10%	2.93
28	3.0V \pm 5%	2.81
26	2.85V \pm 5%	2.67
25	2.70V \pm 5%	2.53
23	2.5V \pm 5%	2.34
22	2.4V \pm 5%	2.25
17	1.8V \pm 5%	1.69

*There are ten standard versions available with an order increment of 3000 pieces. Samples of standard versions are normally available from stock. Contact factory for information on non-standard versions. Available in tape-and-reel only.

Pin Configuration



SOT-23-5 (M5)

Pin Description

Pin Number	Pin Name	Pin Function
1	/RST	Digital (Output): Asserted low whenever V_{DD} falls below the reference voltage. It will remain asserted for no less than 140ms after V_{DD} returns above the threshold limit.
2	GND	Ground
3	RST	Digital (Output): Asserted high whenever V_{DD} falls below the reference voltage. It will remain asserted for no less than 140ms after V_{DD} returns above the threshold limit.
4	/MR	Digital (Input): Driving this pin low initiates an immediate and unconditional reset. Assuming V_{DD} is above the threshold when /MR is released (returns high), the reset output will be de-asserted no less than 140ms later. /MR may be driven by a logic signal or a mechanical switch. /MR has an internal pull-up to V_{DD} and may be left open if unused.
5	VDD	Analog (Input): Power supply input and the voltage being monitored.

Absolute Maximum Ratings (Note 1)

Supply Voltage (V_{DD})	–0.3V to +7V
Input Voltage ($V_{/MR}$)	–0.3V to +7V
RST, (/RST) Current	20mA
Storage Temperature (T_S)	–65°C to +150°C
ESD Rating, Note 3	1.5kV

Operating Ratings (Note 2)

Supply Voltage (V_{DD})	+1.5V to +5.5V
Input Voltage ($V_{/MR}$)	–0.3V to +6.0V
Ambient Temperature Range (T_A)	–40°C to +85°C
Package Thermal Resistance (θ_{JA})	256°C/W

Electrical Characteristics

Note 5; $T_A = +25^\circ\text{C}$, **bold** values indicate $-40^\circ\text{C} \leq T_A \leq +85^\circ\text{C}$; unless noted

Symbol	Parameter	Condition	Min	Typ	Max	Units
I_{DD}	Supply Current	$V_{DD} = V_{TH} + 1.6\%$, /MR, RST, /RST open, Note 5		3.5		μA

VDD VOLTAGE THRESHOLD

	Under-Voltage Threshold On V_{DD}		$V_{TH} - 1.5\%$	V_{TH}	$V_{TH} + 1.5\%$	V V
V_{HYST}	Hysteresis Voltage			1		%

RST, /RST OUTPUTS

t_{PROP}	Propagation Delay	$V_{DD} = V_{TH} + 1.5\% + 100\text{mV}$ to $V_{DD} = V_{TH} - 1.5\% - 100\text{mV}$		20		μs
t_{RST}	Reset Pulse Width		140		280	ms
V_{OL}	RST or /RST Output Voltage Low	$I_{SINK} = 1.6\text{mA}$; $V_{DD} \geq 1.6\text{V}$			0.3	V
		$I_{SINK} = 100\mu\text{A}$; $V_{DD} \geq 1.2\text{V}$; Note 4			0.3	V
V_{OH}	RST or /RST Output Voltage High	$I_{SOURCE} = 500\mu\text{A}$; $V_{DD} \geq 1.5\text{V}$	0.8 V_{DD}			V
		$I_{SOURCE} = 10\mu\text{A}$; $V_{DD} \geq 1.2\text{V}$; Note 4	0.8 V_{DD}			V

/MR INPUT

V_{IH}	Input High Voltage		0.7 V_{DD}			V
V_{IL}	Input Low Voltage				0.3 V_{DD}	V
t_{PROP}	Propagation Delay	From $V_{/MR} < (V_{IL} - 100\text{mV})$		5		μs
t_{MIN}	Minimum Input Pulse Width	Reset Occurs, $V_{/MR} < V_{IL}$		33		ns
I_{PU}	Internal Pull-up Current			100		nA
I_{IN}	Input Current, /MR	$V_{/MR} < V_{IL}$		100		nA

Note 1. Exceeding the absolute maximum rating may damage the device.

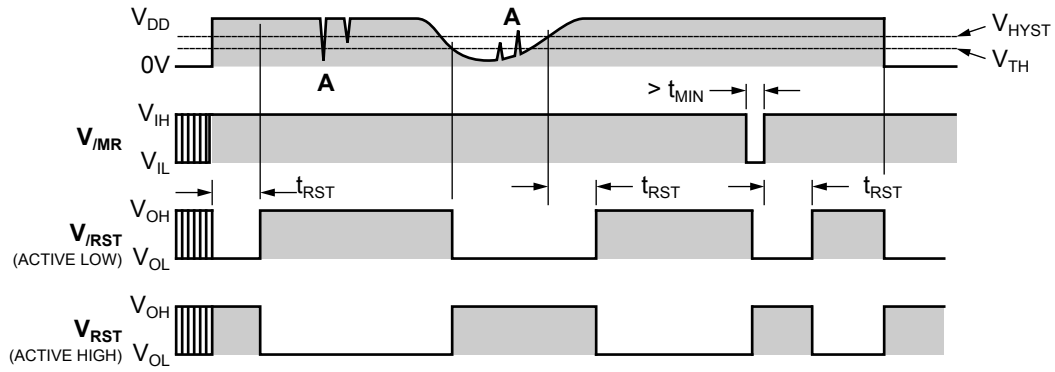
Note 2. The device is not guaranteed to function outside its operating rating.

Note 3. Devices are ESD sensitive. Handling precautions recommended. Human body model, 1.5k in series with 100pF.

Note 4. V_{DD} operating range is 1.5V to 5.5V. Output is guaranteed to be asserted down to $V_{DD} = 1.2\text{V}$.

Note 5. V_{DD} equals nominal "Typical Application (V_{DD})" as shown in "Standard Voltage Options Table."

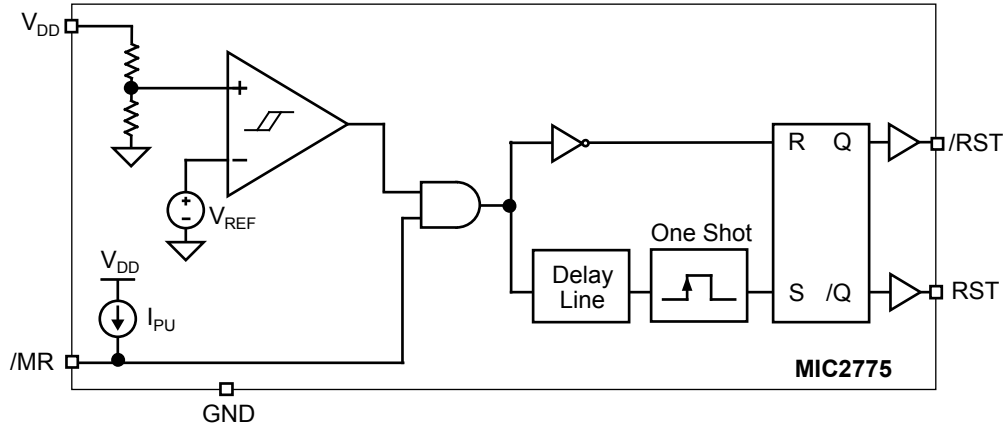
Timing Diagram



Propagation delays not shown for clarity.

Note A. The MIC2775 ignores very brief transients. See "Applications Information" for details.

Functional Diagram



Functional Description

V_{DD} Input

The V_{DD} pin is both the power supply terminal and a monitored input voltage. The voltage at this pin is continually compared against the internal reference. The trip-point at which a reset occurs is factory programmed. A reset is triggered if and when V_{DD} falls below the trip-point. Hysteresis is employed to prevent chattering due to noise. The comparator on the V_{DD} input is relatively immune to very brief negative-going transients.

RST, /RST Reset Outputs

Typically, the MIC2775 is used to monitor the power supply of intelligent circuits such as microcontrollers and microprocessors. By connecting the appropriate reset output of a MIC2775 to the reset input of a μC or μP , the processor will be properly reset at power-on and during power-down and brown-out conditions. In addition, asserting /MR, the manual reset input, will activate the reset function.

The reset outputs are asserted any time /MR is asserted or if V_{DD} drops below the threshold voltage. The reset outputs remain asserted for $t_{RST}(\text{min})$ after V_{DD} subsequently returns above the threshold boundary and/or /MR is released. A reset pulse is also generated at power-on. Hysteresis is included in the comparator to prevent chattering of the outputs due to noise.

/MR, Manual Reset Input

The ability to initiate a reset via external logic or a manual switch is provided in addition to the MIC2775's automatic supervisory functions. Driving the /MR input to a logic low causes an immediate and unconditional reset to occur. Assuming V_{DD} is within tolerance when /MR is released (returns high), the reset outputs will be de-asserted no less than t_{RST} later. /MR may be driven by a logic signal or mechanical switch. Typically, a momentary push-button switch is connected such that /MR is shorted to ground when the switch contacts close. The switch may be connected directly between /MR and GND. /MR has an internal 100nA pull-up current to V_{DD} and may be left open if unused.

Application Information

Ensuring Proper Operation at Low Supply

At levels of V_{DD} below 1.2V, the MIC2775's /RST output cannot turn on sufficiently to produce a valid logic-low on /RST. In this situation, circuits driven by /RST could be allowed to float, causing undesired operation. (In most cases, however, it is expected that the circuits driven by the MIC2775 will be similarly inoperative at $V_{DD} \leq 1.2V$.)

If a given application requires that /RST be valid below $V_{DD} = 1.2V$, this can be accomplished by adding a pull-down resistor to the /RST output. A value of 100k Ω is recommended as this is usually an acceptable compromise of quiescent current and pull-down current. The resistor's value is not critical, however. See Figure 1.

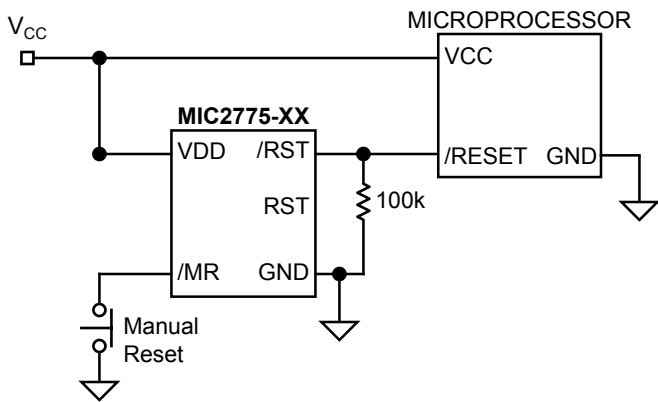


Figure 1. MIC2775 Valid /Reset Below 1.2V

The statements above also apply to the MIC2775's RST output. That is, to ensure valid RST signal levels at $V_{DD} < 1.2V$, a pull-up resistor (as opposed to a pull-down) should be added to the RST output. A value of 100k Ω is typical for this application as well. See Figure 2.

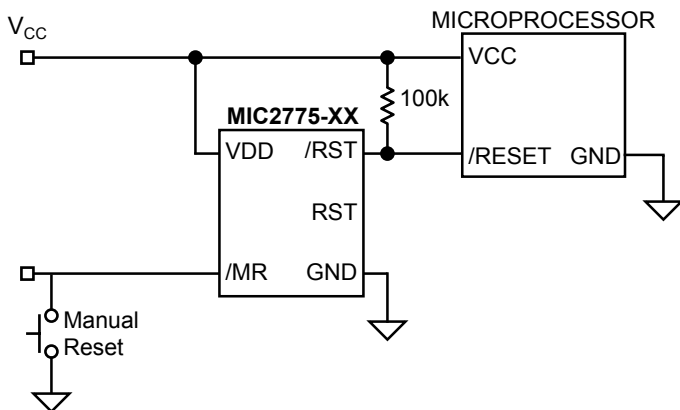


Figure 2. MIC2775 Valid Reset Below 1.2V

Transient response

The MIC2775 is inherently immune to very short negative-going "glitches." Very brief transients may exceed the voltage threshold without tripping the output.

As shown in Figure 3, in general the narrower the transient, the deeper the threshold overdrive that will be ignored by the MIC2775. The graph represents the typical allowable transient duration for a given amount of threshold overdrive that will not generate a reset.

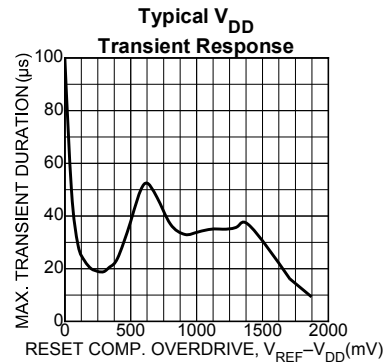
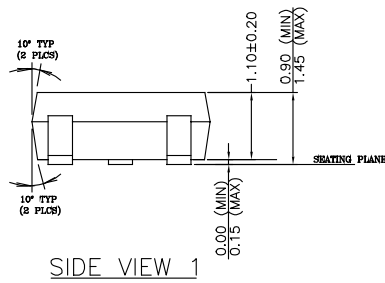
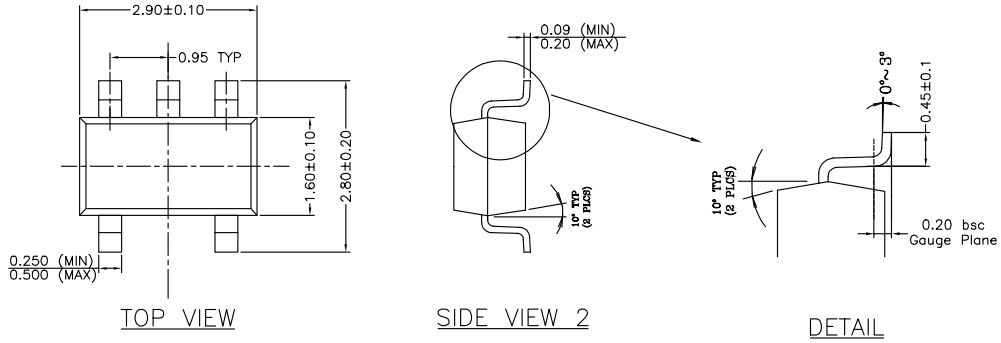


Figure 3. Typical V_{DD} Transient Response

Package Information



- NOTE:
1. PACKAGE OUTLINE EXCLUSIVE OF MOLD FLASH & BURR.
 2. PACKAGE OUTLINE INCLUSIVE OF SOLER PLATING.
 3. DIMENSION AND TOLERANCE PER ANSI Y14.5M, 1982.
 4. FOOT LENGTH MEASUREMENT BASED ON GAUGE PLANE METHOD.
 5. DIE FACES UP FOR MOLD, AND FACES DOWN FOR TRIM/FORM.

SOT-23-5 (M5)

MICREL INC. 2180 FORTUNE DRIVE SAN JOSE, CA 95131 USA
 TEL + 1 (408) 944-0800 FAX + 1 (408) 474-1000 WEB <http://www.micrel.com>

This information furnished by Micrel in this data sheet is believed to be accurate and reliable. However no responsibility is assumed by Micrel for its use. Micrel reserves the right to change circuitry and specifications at any time without notification to the customer.

Micrel Products are not designed or authorized for use as components in life support appliances, devices or systems where malfunction of a product can reasonably be expected to result in personal injury. Life support devices or systems are devices or systems that (a) are intended for surgical implant into the body or (b) support or sustain life, and whose failure to perform can be reasonably expected to result in a significant injury to the user. A Purchaser's use or sale of Micrel Products for use in life support appliances, devices or systems is a Purchaser's own risk and Purchaser agrees to fully indemnify Micrel for any damages resulting from such use or sale.

Компания «Океан Электроники» предлагает заключение долгосрочных отношений при поставках импортных электронных компонентов на взаимовыгодных условиях!

Наши преимущества:

- Поставка оригинальных импортных электронных компонентов напрямую с производств Америки, Европы и Азии, а так же с крупнейших складов мира;
- Широкая линейка поставок активных и пассивных импортных электронных компонентов (более 30 млн. наименований);
- Поставка сложных, дефицитных, либо снятых с производства позиций;
- Оперативные сроки поставки под заказ (от 5 рабочих дней);
- Экспресс доставка в любую точку России;
- Помощь Конструкторского Отдела и консультации квалифицированных инженеров;
- Техническая поддержка проекта, помощь в подборе аналогов, поставка прототипов;
- Поставка электронных компонентов под контролем ВП;
- Система менеджмента качества сертифицирована по Международному стандарту ISO 9001;
- При необходимости вся продукция военного и аэрокосмического назначения проходит испытания и сертификацию в лаборатории (по согласованию с заказчиком);
- Поставка специализированных компонентов военного и аэрокосмического уровня качества (Xilinx, Altera, Analog Devices, Intersil, Interpoint, Microsemi, Actel, Aeroflex, Peregrine, VPT, Syfer, Eurofarad, Texas Instruments, MS Kennedy, Miteq, Cobham, E2V, MA-COM, Hittite, Mini-Circuits, General Dynamics и др.);

Компания «Океан Электроники» является официальным дистрибьютором и эксклюзивным представителем в России одного из крупнейших производителей разъемов военного и аэрокосмического назначения «JONHON», а так же официальным дистрибьютором и эксклюзивным представителем в России производителя высокотехнологичных и надежных решений для передачи СВЧ сигналов «FORSTAR».



JONHON

«JONHON» (основан в 1970 г.)

Разъемы специального, военного и аэрокосмического назначения:

(Применяются в военной, авиационной, аэрокосмической, морской, железнодорожной, горно- и нефтедобывающей отраслях промышленности)

«FORSTAR» (основан в 1998 г.)

ВЧ соединители, коаксиальные кабели, кабельные сборки и микроволновые компоненты:

(Применяются в телекоммуникациях гражданского и специального назначения, в средствах связи, РЛС, а так же военной, авиационной и аэрокосмической отраслях промышленности).



Телефон: 8 (812) 309-75-97 (многоканальный)

Факс: 8 (812) 320-03-32

Электронная почта: ocean@oceanchips.ru

Web: <http://oceanchips.ru/>

Адрес: 198099, г. Санкт-Петербург, ул. Калинина, д. 2, корп. 4, лит. А