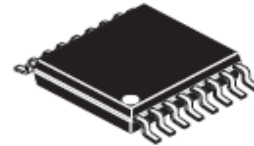


MC9S08SC4 8-Bit Microcontroller Data Sheet

MC9S08SC4



948F-01

8-Bit HCS08 Central Processor Unit (CPU)

- Up to 40 MHz HCS08 CPU (central processor unit); up to 20 MHz bus frequency
- HC08 instruction set with added BGND instruction

On-Chip Memory

- 4 KB of FLASH with read/program/erase over full operating voltage and temperature
- 256 bytes of Random-access memory (RAM)

Power-Saving Modes

- Two very low power stop modes
- Reduced power wait mode

Clock Source Options

- Oscillator (XOSC) — Loop-control Pierce oscillator; Crystal or ceramic resonator range of 32 kHz to 38.4 kHz or 1 MHz to 16 MHz
- Internal Clock Source (ICS) — Internal clock source module containing a frequency-locked loop (FLL) controlled by internal or external reference; precision trimming of internal reference allows 0.2 % resolution and 2.0 % deviation over temperature and voltage; supports bus frequencies from 2 MHz to 20 MHz.

System Protection

- Watchdog computer operating properly (COP) reset with option to run from dedicated 1 kHz internal clock source or bus clock
- Low-voltage detection with reset or interrupt; selectable trip points
- Illegal opcode detection with reset
- Illegal address detection with reset
- FLASH block protect
- Reset on loss of clock

Development Support

- Single-wire background debug interface

- Breakpoint capability to allow single breakpoint setting during in-circuit debugging

Peripherals

- **SCI** — Serial Communication Interface
 - Full-duplex non-return to zero (NRZ)
 - LIN master extended break generation
 - LIN slave extended break detection
 - Wake-up on active edge
- **TPMx** — Two 2-channel Timer/PWM modules (TPM1 and TPM2)
 - 16-bit modulus or up/down counters
 - Input capture, output compare, buffered edge-aligned or center-aligned PWM
- **ADC** — Analog to Digital Converter
 - 8-channel, 10-bit resolution
 - 2.5 μ s conversion time
 - Automatic compare function
 - Temperature sensor
 - Internal bandgap reference channel

Input/Output

- 12 general purpose I/O pins (GPIOs)
- 8 interrupt pins with selectable polarity
- Hysteresis and configurable pull-up device on all input pins; Configurable slew rate and drive strength on all output pins.

Package Options

- 16-TSSOP

Operating Parameters

- 4.5-5.5 V operation
- C, V, M temperature ranges available, covering -40 - 125 °C operation

Freescale reserves the right to change the detail specifications as may be required to permit improvements in the design of its products.

Table of Contents

| | | | |
|---|----|--|--|
| Chapter 1 | | | |
| Device Overview | 3 | | |
| 1.1 MCU Block Diagram | 3 | | |
| Chapter 2 | | | |
| Pins and Connections | 5 | | |
| 2.1 Device Pin Assignment | 5 | | |
| Chapter 3 | | | |
| Electrical Characteristics | 7 | | |
| 3.1 Introduction | 7 | | |
| 3.2 Parameter Classification | 7 | | |
| 3.3 Absolute Maximum Ratings | 7 | | |
| 3.4 Thermal Characteristics | 8 | | |
| 3.5 ESD Protection and Latch-Up Immunity | 9 | | |
| 3.6 DC Characteristics | 10 | | |
| 3.7 Supply Current Characteristics | 13 | | |
| 3.8 External Oscillator (XOSC) Characteristics | 16 | | |
| 3.9 Internal Clock Source (ICS) Characteristics | 18 | | |
| 3.10 ADC Characteristics | 19 | | |
| 3.11 AC Characteristics | 21 | | |
| 3.11.1 Control Timing | 21 | | |
| 3.11.2 TPM Module Timing | 22 | | |
| 3.12 Flash Specifications | 23 | | |
| 3.13 EMC Performance | 24 | | |
| 3.13.1 Radiated Emissions | 24 | | |
| Chapter 4 | | | |
| Ordering Information and Mechanical Drawings | 25 | | |
| 4.1 Ordering Information | 25 | | |
| 4.1.1 Device Numbering Scheme | 25 | | |
| 4.2 Package Information | 25 | | |
| 4.3 Mechanical Drawings | 25 | | |
| Chapter 5 | | | |
| Revision History | 29 | | |

Chapter 1

Device Overview

The MC9S08SC4 is a member of the low-cost, high-performance HCS08 Family of 8-bit microcontroller units (MCUs). The MC9S08SC4 uses the enhanced HCS08 core.

1.1 MCU Block Diagram

The block diagram in [Figure 1-1](#) shows the structure of the MC9S08SC4 MCU.

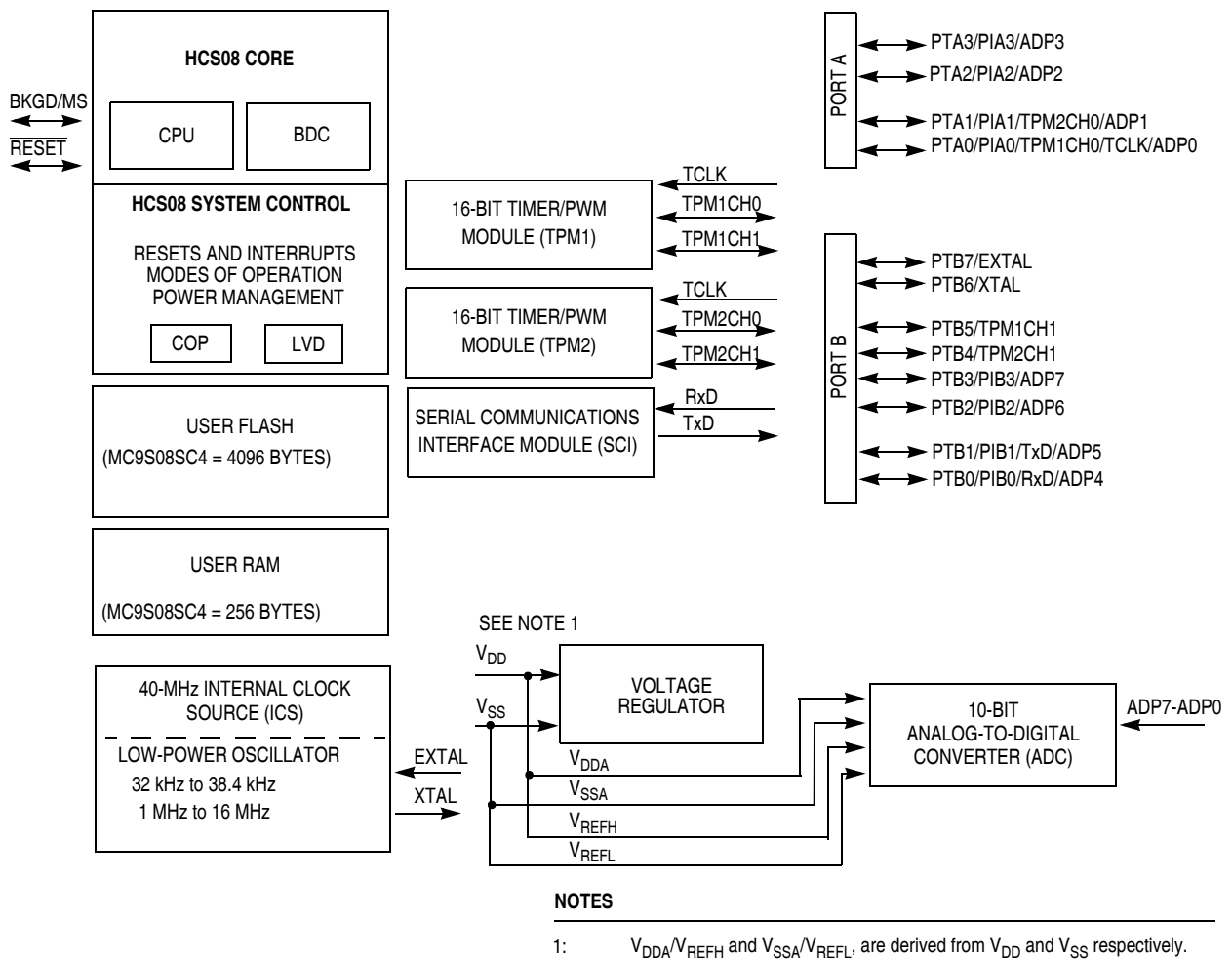


Figure 1-1. MC9S08SC4 Block Diagram

Chapter 2

Pins and Connections

This section describes signals that connect to package pins. It includes pinout diagrams, recommended system connections, and detailed discussions of signals.

2.1 Device Pin Assignment

The following figure shows the pin assignments for the MC9S08SC4 device.

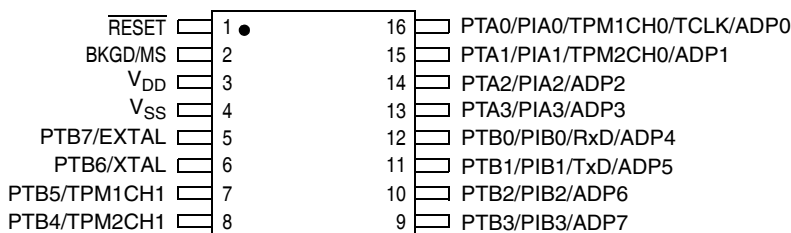


Table 2-1. Pin Function Priority

| Pin Number | Priority | | | | |
|------------|----------|---------|-------|-------|-----------------|
| | ← Lowest | | | | Highest → |
| 16-pin | Port Pin | Alt 1 | Alt 2 | Alt 3 | Alt 4 |
| 1 | | | | | RESET |
| 2 | | | | BKGD | MS |
| 3 | | | | | V _{DD} |
| 4 | | | | | V _{SS} |
| 5 | PTB7 | | EXTAL | | |
| 6 | PTB6 | | XTAL | | |
| 7 | PTB5 | TPM1CH1 | | | |
| 8 | PTB4 | TPM2CH1 | | | |
| 9 | PTB3 | PIB3 | | | ADP7 |
| 10 | PTB2 | PIB2 | | | ADP6 |
| 11 | PTB1 | PIB1 | TxD | | ADP5 |

Chapter 3

Electrical Characteristics

3.1 Introduction

This section contains electrical and timing specifications for the MC9S08SC4 Series of microcontrollers available at the time of publication.

3.2 Parameter Classification

The electrical parameters shown in this supplement are guaranteed by various methods. To give the customer a better understanding the following classification is used and the parameters are tagged accordingly in the tables where appropriate:

Table 3-1. Parameter Classifications

| | |
|----------|--|
| P | Those parameters are guaranteed during production testing on each individual device. |
| C | Those parameters are achieved by the design characterization by measuring a statistically relevant sample size across process variations. |
| T | Those parameters are achieved by design characterization on a small sample size from typical devices under typical conditions unless otherwise noted. All values shown in the typical column are within this category. |
| D | Those parameters are derived mainly from simulations. |

NOTE

The classification is shown in the column labeled “C” in the parameter tables where appropriate.

3.3 Absolute Maximum Ratings

Absolute maximum ratings are stress ratings only, and functional operation at the maxima is not guaranteed. Stress beyond the limits specified in [Table 3-2](#) may affect device reliability or cause permanent damage to the device. For functional operating conditions, refer to the remaining tables in this section.

This device contains circuitry protecting against damage due to high static voltage or electrical fields; however, it is advised that normal precautions be taken to avoid application of any voltages higher than maximum-rated voltages to this high-impedance circuit. Reliability of operation is enhanced if unused inputs are tied to an appropriate logic voltage level (for instance, either V_{SS} or V_{DD}) or the programmable pull-up resistor associated with the pin is enabled.

Table 3-2. Absolute Maximum Ratings

| Rating | Symbol | Value | Unit |
|---|-----------|------------------------|------|
| Supply voltage | V_{DD} | -0.3 to +5.8 | V |
| Maximum current into V_{DD} | I_{DD} | 120 | mA |
| Digital input voltage | V_{In} | -0.3 to $V_{DD} + 0.3$ | V |
| Instantaneous maximum current Single pin limit (applies to all port pins) ^{1, 2, 3} | I_D | ± 25 | mA |
| Storage temperature range | T_{stg} | -55 to 150 | °C |

- ¹ Input must be current limited to the value specified. To determine the value of the required current-limiting resistor, calculate resistance values for positive (V_{DD}) and negative (V_{SS}) clamp voltages, then use the larger of the two resistance values.
- ² All functional non-supply pins are internally clamped to V_{SS} and V_{DD} .
- ³ Power supply must maintain regulation within operating V_{DD} range during instantaneous and operating maximum current conditions. If positive injection current ($V_{In} > V_{DD}$) is greater than I_{DD} , the injection current may flow out of V_{DD} and could result in external power supply going out of regulation. Ensure external V_{DD} load will shunt current greater than maximum injection current. This will be the greatest risk when the MCU is not consuming power. Examples are: if no system clock is present, or if the clock rate is very low (which would reduce overall power consumption).

3.4 Thermal Characteristics

This section provides information about operating temperature range, power dissipation, and package thermal resistance. Power dissipation on I/O pins is usually small compared to the power dissipation in on-chip logic and voltage regulator circuits, and it is user-determined rather than being controlled by the MCU design. To take $P_{I/O}$ into account in power calculations, determine the difference between actual pin voltage and V_{SS} or V_{DD} and multiply by the pin current for each I/O pin. Except in cases of unusually high pin current (heavy loads), the difference between pin voltage and V_{SS} or V_{DD} will be very small.

Table 3-3. Thermal Characteristics

| Num | C | Rating | Symbol | Value | Unit | |
|-----|---|---|---------------|----------------|------|---|
| 1 | — | Operating temperature range (packaged) | T_A | T_L to T_H | °C | |
| | | | | C | | -40 to 85 |
| | | | | V | | -40 to 105 |
| | | | | M | | -40 to 125 |
| 2 | D | Maximum junction temperature | T_{JM} | — | °C | |
| | | | | C | | 95 |
| | | | | V | | 115 |
| | | | | M | | 135 |
| 3 | D | Thermal resistance ^{1,2} Single-layer board | θ_{JA} | 16-pin TSSOP | 130 | °C/W |
| | | | | 4 | D | Thermal resistance ^{1,2} Four-layer board |

- ¹ Junction temperature is a function of die size, on-chip power dissipation, package thermal resistance, mounting site (board) temperature, ambient temperature, air flow, power dissipation of other components on the board, and board thermal resistance.
- ² Junction to Ambient Natural Convection

The average chip-junction temperature (T_J) in °C can be obtained from:

$$T_J = T_A + (P_D \times \theta_{JA}) \quad \text{Eqn. 3-1}$$

where:

T_A = Ambient temperature, °C

θ_{JA} = Package thermal resistance, junction-to-ambient, °C/W

$P_D = P_{int} + P_{I/O}$

$P_{int} = I_{DD} \times V_{DD}$, Watts — chip internal power

$P_{I/O}$ = Power dissipation on input and output pins — user determined

For most applications, $P_{I/O} \ll P_{int}$ and can be neglected. An approximate relationship between P_D and T_J (if $P_{I/O}$ is neglected) is:

$$P_D = K \div (T_J + 273^\circ\text{C}) \quad \text{Eqn. 3-2}$$

Solving Equation 3-1 and Equation 3-2 for K gives:

$$K = P_D \times (T_A + 273^\circ\text{C}) + \theta_{JA} \times (P_D)^2 \quad \text{Eqn. 3-3}$$

where K is a constant pertaining to the particular part. K can be determined from equation 3 by measuring P_D (at equilibrium) for a known T_A . Using this value of K, the values of P_D and T_J can be obtained by solving Equation 3-1 and Equation 3-2 iteratively for any value of T_A .

3.5 ESD Protection and Latch-Up Immunity

Although damage from electrostatic discharge (ESD) is much less common on these devices than on early CMOS circuits, normal handling precautions should be used to avoid exposure to static discharge. Qualification tests are performed to ensure that these devices can withstand exposure to reasonable levels of static without suffering any permanent damage.

All ESD testing is in conformity with AEC-Q100 Stress Test Qualification for Automotive Grade Integrated Circuits. During the device qualification ESD stresses were performed for the human body model (HBM) and the charge device model (CDM).

A device is defined as a failure if after exposure to ESD pulses the device no longer meets the device specification. Complete DC parametric and functional testing is performed per the applicable device specification at room temperature followed by hot temperature, unless specified otherwise in the device specification.

Table 3-4. ESD and Latch-up Test Conditions

| Model | Description | Symbol | Value | Unit |
|------------|-----------------------------|--------|-------|------|
| Human Body | Series resistance | R1 | 1500 | Ω |
| | Storage capacitance | C | 100 | pF |
| | Number of pulses per pin | — | 3 | — |
| Latch-up | Minimum input voltage limit | — | -2.5 | V |
| | Maximum input voltage limit | — | 7.5 | V |

Table 3-5. ESD and Latch-Up Protection Characteristics

| No. | Rating ¹ | Symbol | Min | Max | Unit |
|-----|---|-----------|------------|-----|------|
| 1 | Human body model (HBM) | V_{HBM} | ± 2000 | — | V |
| 2 | Charge device model (CDM) | V_{CDM} | ± 500 | — | V |
| 3 | Latch-up current at $T_A = 125^\circ\text{C}$ | I_{LAT} | ± 100 | — | mA |

¹ Parameter is achieved by design characterization on a small sample size from typical devices under typical conditions unless otherwise noted.

3.6 DC Characteristics

This section includes information about power supply requirements and I/O pin characteristics.

Table 3-6. DC Characteristics

| Num | C | Characteristic | Symbol | Condition | Min | Typ ¹ | Max | Unit | |
|-----|---|--|------------------|-----------------------------------|--------------------------|------------------|----------------------|---------------|-----|
| 4 | — | Operating voltage | V_{DD} | — | 4.5 | — | 5.5 | V | |
| 5 | C | Output high voltage All I/O pins, low-drive strength | V_{OH} | 5 V, $I_{Load} = -4$ mA | $V_{DD} - 1.5$ | — | — | V | |
| | P | | | 5 V, $I_{Load} = -2$ mA | $V_{DD} - 0.8$ | — | — | | |
| | C | | | All I/O pins, high-drive strength | 5 V, $I_{Load} = -20$ mA | $V_{DD} - 1.5$ | — | | — |
| | P | | | | 5 V, $I_{Load} = -10$ mA | $V_{DD} - 0.8$ | — | | — |
| 6 | C | Output high current Max total I_{OH} for all ports | I_{OHT} | $V_{OUT} < V_{DD}$ | 0 | — | -100 | mA | |
| 7 | C | Output low voltage All I/O pins, low-drive strength | V_{OL} | 5 V, $I_{Load} = 4$ mA | — | — | 1.5 | V | |
| | P | | | 5 V, $I_{Load} = 2$ mA | — | — | 0.8 | | |
| | C | | | All I/O pins, high-drive strength | 5 V, $I_{Load} = 20$ mA | — | — | | 1.5 |
| | P | | | | 5 V, $I_{Load} = 10$ mA | — | — | | 0.8 |
| 8 | C | Output low current Max total I_{OL} for all ports | I_{OLT} | $V_{OUT} > V_{SS}$ | 0 | — | 100 | mA | |
| 9 | P | Input high voltage; all digital inputs | V_{IH} | 5V | $0.65 \times V_{DD}$ | — | — | V | |
| 10 | P | Input low voltage; all digital inputs | V_{IL} | 5V | — | — | $0.35 \times V_{DD}$ | V | |
| 11 | C | Input hysteresis | V_{hys} | — | $0.06 \times V_{DD}$ | — | — | V | |
| 12 | P | Input leakage current (per pin) | $ I_{In} $ | $V_{In} = V_{DD}$ or V_{SS} | — | 0.1 | 1 | μA | |
| 13 | P | Hi-Z (off-state) leakage current (per pin) input/output port pins PTB6/XTAL, RESET | $ I_{OZ} $ | $V_{In} = V_{DD}$ or V_{SS} , | — | 0.1 | 1 | μA | |
| | | | | $V_{In} = V_{DD}$ or V_{SS} | — | 0.2 | 2 | μA | |
| | | | | | | | | | |
| 14 | P | Pull-up or Pull-down ² resistors; when enabled I/O pins | R_{PU}, R_{PD} | — | 17 | 37 | 52 | k Ω | |
| | C | | | | RESET ³ | R_{PU} | 17 | 37 | 52 |

Table 3-6. DC Characteristics (continued)

| Num | C | Characteristic | Symbol | Condition | Min | Typ ¹ | Max | Unit |
|-----|---|--|------------|---------------------|------|------------------|------|------|
| 15 | D | DC injection current ^{4, 5, 6, 7} Single pin limit | I_{IC} | $V_{IN} > V_{DD}$ | 0 | — | 2 | mA |
| | | | | $V_{IN} < V_{SS}$, | 0 | — | -0.2 | mA |
| | | Total MCU limit, includes sum of all stressed pins | | $V_{IN} > V_{DD}$ | 0 | — | 25 | mA |
| | | | | $V_{IN} < V_{SS}$, | 0 | — | -5 | mA |
| 16 | D | Input Capacitance, all pins | C_{In} | — | — | — | 8 | pF |
| 17 | D | RAM retention voltage | V_{RAM} | — | — | 0.6 | 1.0 | V |
| 18 | D | POR re-arm voltage ⁸ | V_{POR} | — | 0.9 | 1.4 | 2.0 | V |
| 19 | D | POR re-arm time ⁹ | t_{POR} | — | 10 | — | — | μs |
| 20 | P | Low-voltage detection threshold — high range V_{DD} falling V_{DD} rising | V_{LVD1} | — | 3.85 | 4.0 | 4.15 | V |
| | | | | | 3.95 | 4.1 | 4.25 | |
| 21 | P | Low-voltage warning threshold — high range 1 V_{DD} falling V_{DD} rising | V_{LVW3} | — | 4.45 | 4.6 | 4.75 | V |
| | | | | | 4.55 | 4.7 | 4.85 | |
| 22 | P | Low-voltage warning threshold — high range 0 V_{DD} falling V_{DD} rising | V_{LVW2} | — | 4.15 | 4.3 | 4.45 | V |
| | | | | | 4.25 | 4.4 | 4.55 | |
| 23 | T | Low-voltage inhibit reset/recover hysteresis | V_{hys} | — | — | 100 | — | mV |
| 24 | P | Bandgap Voltage Reference ¹⁰ | V_{BG} | — | 1.17 | 1.20 | 1.22 | V |

¹ Typical values are measured at 25°C. Characterized, not tested.

² When a pin interrupt is configured to detect rising edges, pull-down resistors are used in place of pull-up resistors.

³ The specified resistor value is the actual value internal to the device. The pull-up value may measure higher when measured externally on the pin.

⁴ Power supply must maintain regulation within operating V_{DD} range during instantaneous and operating maximum current conditions. If positive injection current ($V_{IN} > V_{DD}$) is greater than I_{DD} , the injection current may flow out of V_{DD} and could result in external power supply going out of regulation. Ensure external V_{DD} load will shunt current greater than maximum injection current. This will be the greatest risk when the MCU is not consuming power. Examples are: if no system clock is present, or if clock rate is very low (which would reduce overall power consumption).

⁵ All functional non-supply pins are internally clamped to V_{SS} and V_{DD} .

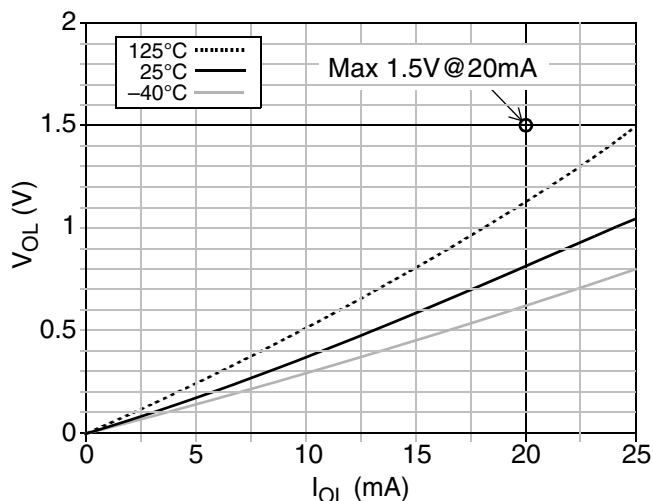
⁶ Input must be current limited to the value specified. To determine the value of the required current-limiting resistor, calculate resistance values for positive and negative clamp voltages, then use the larger of the two values.

⁷ The \overline{RESET} pin does not have a clamp diode to V_{DD} . Do not drive this pin above V_{DD} .

⁸ Maximum is highest voltage that POR will occur.

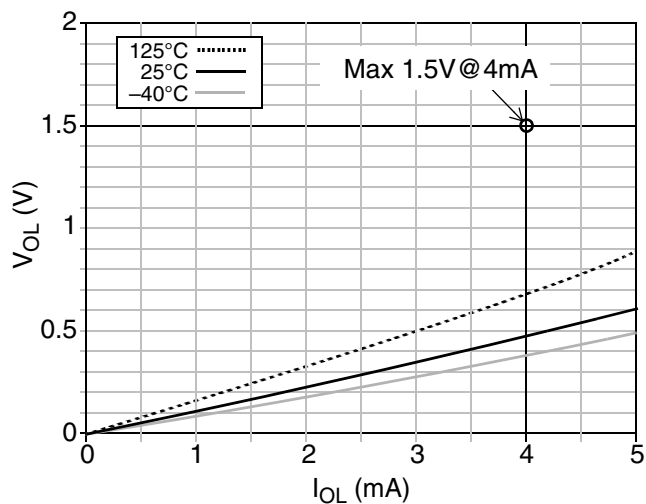
⁹ Simulated, not tested

¹⁰ Factory trimmed at $V_{DD} = 5.0$ V, Temp = 25°C



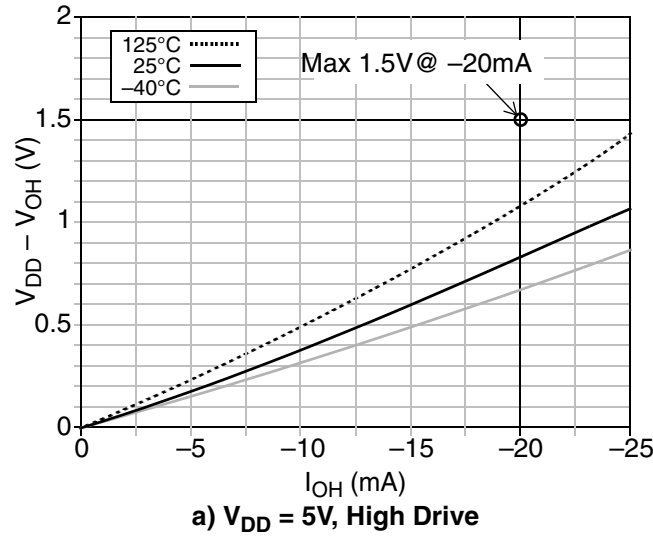
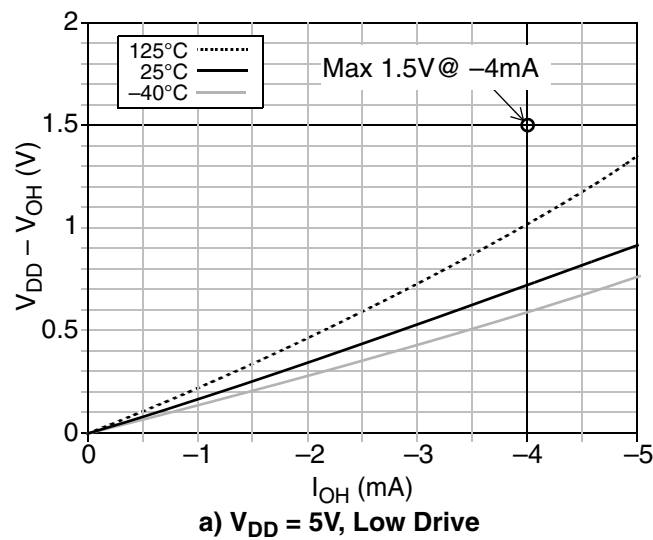
a) $V_{DD} = 5V$, High Drive

Figure 3-1. Typical V_{OL} vs I_{OL} , High Drive Strength



a) $V_{DD} = 5V$, Low Drive

Figure 3-2. Typical V_{OL} vs I_{OL} , Low Drive Strength


 Figure 3-3. Typical $V_{DD} - V_{OH}$ vs I_{OH} , High Drive Strength

 Figure 3-4. Typical $V_{DD} - V_{OH}$ vs I_{OH} , Low Drive Strength

3.7 Supply Current Characteristics

This section includes information about power supply current in various operating modes.

Table 3-7. Supply Current Characteristics

| Num | C | Parameter | Symbol | V _{DD} (V) | Typ ¹ | Max ² | Unit | |
|-----|----------------|--|----------------------|------------------------|------------------------|------------------|------|----|
| 1 | C | Run supply current ³ measured at (CPU clock = 4 MHz, f _{BUS} = 2 MHz) | R _I DD | 5 | 1.9 | 2.4 | mA | |
| 2 | P | Run supply current ³ measured at (CPU clock = 16 MHz, f _{BUS} = 8 MHz) | R _I DD | 5 | 4.6 | 5.6 | mA | |
| 3 | C | Run supply current ⁴ measured at (CPU clock = 32 MHz, f _{BUS} = 16 MHz) | R _I DD | 5 | 7.8 | 8.9 | mA | |
| 4 | C | Stop3 mode supply current | S3I _{DD} | 5 | -40 °C (C & M suffix) | 0.71 | — | μA |
| | P | | | | 25 °C (All parts) | 0.93 | — | |
| | C ⁵ | | | | 85 °C (C suffix only) | 4 | 11 | |
| | C ⁵ | | | | 105 °C (V suffix only) | 9 | 30 | |
| | P ⁵ | | | | 125 °C (M suffix only) | 28 | 60 | |
| 5 | C | Stop2 mode supply current | S2I _{DD} | 5 | -40 °C (C & M suffix) | 0.70 | — | μA |
| | P | | | | 25 °C (All parts) | 0.89 | — | |
| | C ⁵ | | | | 85 °C (C suffix only) | 3 | 8 | |
| | C ⁵ | | | | 105 °C (V suffix only) | 6 | 22 | |
| | P ⁵ | | | | 125 °C (M suffix only) | 17 | 41 | |
| 6 | C | LVD adder to stop3 (LVDE = LVDSE = 1) | S3I _{DDLVD} | 5 | 110 | 165 | μA | |
| 7 | C | Adder to stop3 for oscillator enabled ⁶ (EREFSTEN = 1) | S3I _{DDOSC} | 5 | 5 | 8 | μA | |

¹ Typical values are based on characterization data at 25 °C. See [Figure 3-5](#) through [Figure 3-7](#) for typical curves across voltage/temperature.

² Max values in this column apply for the full operating temperature range of the device unless otherwise noted.

³ All modules except ADC active, ICS configured for FBE, and does not include any dc loads on port pins.

⁴ All modules except ADC active, ICS configured for FEI, and does not include any dc loads on port pins.

⁵ Stop currents are tested in production for 25 °C on all parts. Tests at other temperatures depend upon the part number suffix and maturity of the product. Freescale may eliminate a test insertion at a particular temperature from the production test flow once sufficient data has been collected and is approved.

⁶ Values given under the following conditions: low range operation (RANGE = 0) with a 32.768 kHz crystal and low power mode (HGO = 0).

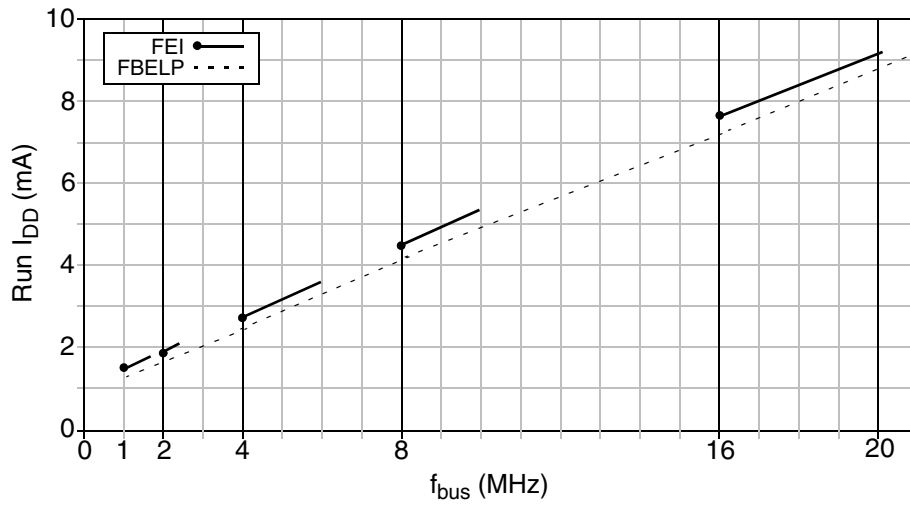
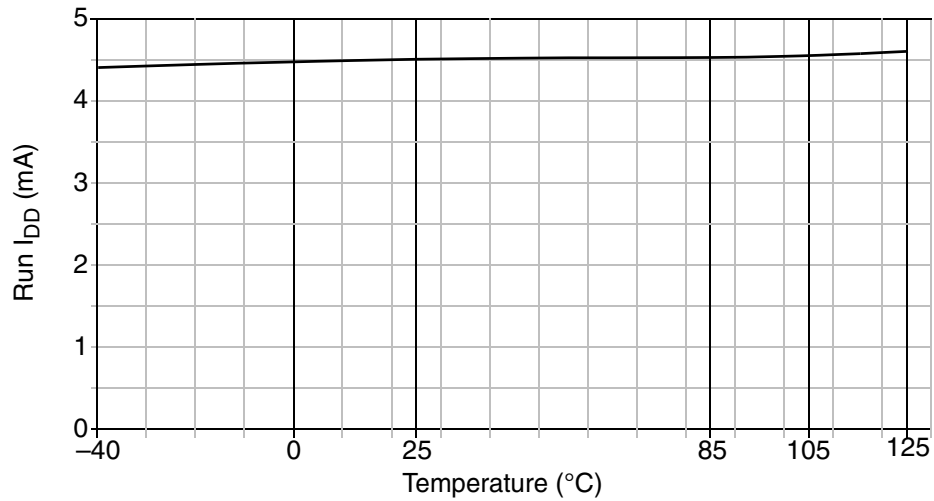


Figure 3-5. Typical Run I_{DD} vs. Bus Frequency (V_{DD} = 5V)



Note: ICS is configured to FEI.

Figure 3-6. Typical Run I_{DD} vs. Temperature (V_{DD} = 5V; f_{bus} = 8MHz)

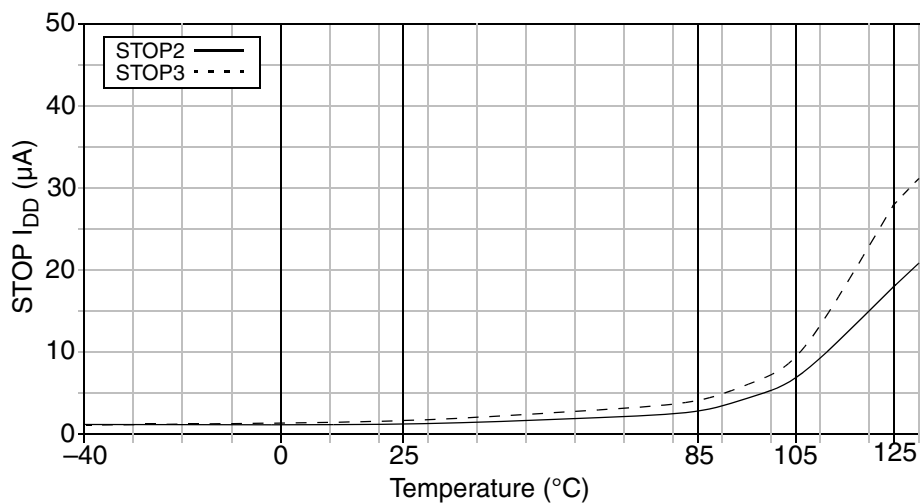


Figure 3-7. Typical Stop I_{DD} vs. Temperature (V_{DD} = 5V)

3.8 External Oscillator (XOSC) Characteristics

NOTE

The MC9S08SC4 series supports a narrower low frequency external reference range than the standard ICS specification. All references to range "31.25 kHz to 39.0625 kHz" in this section should be limited to "32.0 kHz to 38.4 kHz".

Table 3-8. Oscillator Electrical Specifications (Temperature Range = –40 to 125°C Ambient)

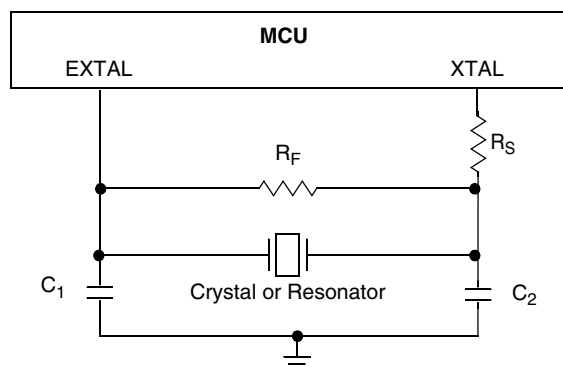
| Num | C | Rating | Symbol | Min | Typ ¹ | Max | Unit |
|-----|---|--|----------------|--|------------------|------|------------|
| 1 | C | Oscillator crystal or resonator (EREFS = 1, ERCLKEN = 1) | | | | | |
| | | Low range (RANGE = 0) | f_{lo} | 32 | — | 38.4 | kHz |
| | | High range (RANGE = 1) FEE or FBE mode ² | f_{hi} | 1 | — | 5 | MHz |
| | | High range (RANGE = 1, HGO = 1) FBELP mode | f_{hi-hgo} | 1 | — | 16 | MHz |
| | | High range (RANGE = 1, HGO = 0) FBELP mode | f_{hi-lp} | 1 | — | 8 | MHz |
| 2 | — | Load capacitors | C_1, C_2 | See crystal or resonator manufacturer's recommendation | | | |
| 3 | — | Feedback resistor | R_F | | | | $M\Omega$ |
| | | Low range (32 kHz to 100 kHz) | | — | 10 | — | |
| | | High range (1 MHz to 16 MHz) | | — | 1 | — | |
| 4 | — | Series resistor | R_S | | | | k Ω |
| | | Low range, low gain (RANGE = 0, HGO = 0) | | — | 0 | — | |
| | | Low range, high gain (RANGE = 0, HGO = 1) | | — | 100 | — | |
| | | High range, low gain (RANGE = 1, HGO = 0) | | — | 0 | — | |
| | | High range, high gain (RANGE = 1, HGO = 1) | | | | | |
| | | ≥ 8 MHz | — | 0 | 0 | | |
| | | 4 MHz | — | 0 | 10 | | |
| | | 1 MHz | — | 0 | 20 | | |
| 5 | T | Crystal start-up time ³ | | | | | ms |
| | | Low range, low gain (RANGE = 0, HGO = 0) | $t_{CSTL-LP}$ | — | 200 | — | |
| | | Low range, high gain (RANGE = 0, HGO = 1) | $t_{CSTL-HGO}$ | — | 400 | — | |
| | | High range, low gain (RANGE = 1, HGO = 0) ⁴ | $t_{CSTH-LP}$ | — | 5 | — | |
| | | High range, high gain (RANGE = 1, HGO = 1) ⁴ | $t_{CSTH-HGO}$ | — | 15 | — | |
| 6 | T | Square wave input clock frequency (EREFS = 0, ERCLKEN = 1) | | | | | |
| | | FEE or FBE mode ² | f_{extal} | 0.03125 | — | 5 | MHz |
| | | FBELP mode | | 0 | — | 40 | MHz |

¹ Typical data was characterized at 5.0 V, 25°C or is recommended value.

² The input clock source must be divided using RDIV to within the range of 31.25 kHz to 39.0625 kHz.

³ This parameter is characterized and not tested on each device. Proper PC board layout procedures must be followed to achieve specifications. This data will vary based upon the crystal manufacturer and board design. The crystal should be characterized by the crystal manufacturer.

⁴ 4 MHz crystal.



3.9 Internal Clock Source (ICS) Characteristics

Table 3-9. ICS Frequency Specifications (Temperature Range = -40 to 125°C Ambient)

| Num | C | Rating | Symbol | Min | Typical | Max | Unit |
|-----|---|---|--------------------------|-------|----------------|---------|-------------|
| 1 | P | Internal reference frequency - factory trimmed at $V_{DD} = 5\text{ V}$ and temperature = 25°C | f_{int_ft} | — | 31.25 | — | kHz |
| 2 | T | Internal reference frequency - untrimmed ¹ | f_{int_ut} | 25 | 36 | 41.66 | kHz |
| 3 | P | Internal reference frequency - user trimmed | f_{int_t} | 31.25 | — | 39.0625 | kHz |
| 4 | T | Internal reference startup time | t_{irefst} | — | — | 6 | μs |
| 5 | — | DCO output frequency range - untrimmed ¹ value provided for reference assumes: $f_{dco_ut} = 1024 \times f_{int_ut}$ | f_{dco_ut} | 25.6 | 36.86 | 42.66 | MHz |
| 6 | D | DCO output frequency range - trimmed | f_{dco_t} | 32 | — | 40 | MHz |
| 7 | D | Resolution of trimmed DCO output frequency at fixed voltage and temperature (using FTRIM) | $\Delta f_{dco_res_t}$ | — | ± 0.1 | ± 0.2 | % f_{dco} |
| 8 | D | Resolution of trimmed DCO output frequency at fixed voltage and temperature (not using FTRIM) | $\Delta f_{dco_res_t}$ | — | ± 0.2 | ± 0.4 | % f_{dco} |
| 9 | D | Total deviation from actual trimmed DCO output frequency over voltage and temperature | Δf_{dco_t} | — | + 0.5 - 1.0 | ± 2.0 | % f_{dco} |
| 10 | D | Total deviation of trimmed DCO output frequency over fixed voltage and temperature range of 0°C to 70 °C | Δf_{dco_t} | — | ± 0.5 | ± 1 | % f_{dco} |
| 11 | D | FLL acquisition time ² | $t_{acquire}$ | — | — | 1 | ms |
| 12 | D | DCO output clock long term jitter (over 2mS interval) ³ | C_{jitter} | — | 0.02 | 0.2 | % f_{dco} |

¹ TRIM register at default value (0x80) and FTRIM control bit at default value (0x0).

² This specification applies to any time the FLL reference source or reference divider is changed, trim value changed or changing from FLL disabled (FBELP, FBILP) to FLL enabled (FEI, FEE, FBE, FBI). If a crystal/resonator is being used as the reference, this specification assumes it is already running.

³ Jitter is the average deviation from the programmed frequency measured over the specified interval at maximum f_{BUS} . Measurements are made with the device powered by filtered supplies and clocked by a stable external clock signal. Noise injected into the FLL circuitry via V_{DD} and V_{SS} and variation in crystal oscillator frequency increase the C_{jitter} percentage for a given interval.

3.10 ADC Characteristics

Table 3-10. ADC Operating Conditions

| Characteristic | Conditions | Symb | Min | Typ ¹ | Max | Unit | Comment |
|--------------------------------|---|-------------|--------------|------------------|--------------|------------|-----------------|
| Supply voltage | Absolute | V_{DDA}^2 | 2.7 | — | 5.5 | V | — |
| Input Voltage | — | V_{ADIN} | V_{REFL}^2 | — | V_{REFH}^2 | V | — |
| Input Capacitance | — | C_{ADIN} | — | 4.5 | 5.5 | pF | — |
| Input Resistance | — | R_{ADIN} | — | 3 | 5 | k Ω | — |
| Analog Source Resistance | 10 bit mode $f_{ADCK} > 4\text{MHz}$ $f_{ADCK} < 4\text{MHz}$ | R_{AS} | — | — | 5 | k Ω | External to MCU |
| | 8 bit mode (all valid f_{ADCK}) | | — | — | 10 | | |
| ADC Conversion Clock Frequency | High Speed (ADLPC=0) | f_{ADCK} | 0.4 | — | 8.0 | MHz | — |
| | Low Power (ADLPC=1) | | 0.4 | — | 4.0 | | |

¹ Typical values assume $V_{DDA} = 5.0\text{ V}$, $\text{Temp} = 25^\circ\text{C}$, $f_{ADCK} = 1.0\text{ MHz}$ unless otherwise stated. Typical values are for reference only and are not tested in production.

² V_{DDA}/V_{REFH} and V_{SSA}/V_{REFL} , are derived from V_{DD} and V_{SS} respectively.

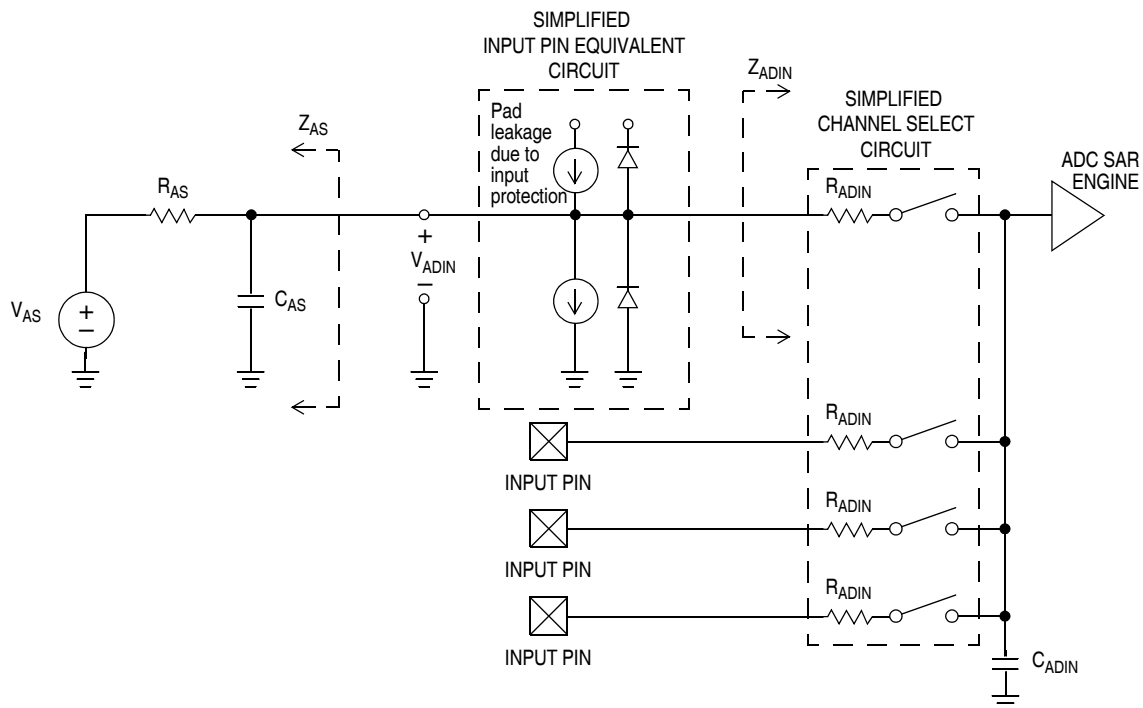

Figure 3-8. ADC Input Impedance Equivalency Diagram

Table 3-11. ADC Characteristics

| Characteristic | Conditions | C | Symb | Min | Typ ¹ | Max | Unit | Comment |
|--|----------------------------|---|--------------------|------|------------------|------|----------------|--|
| Supply Current ADLPC=1 ADLSMP=1 ADCO=1 | — | T | I _{DDA} | — | 133 | — | μA | — |
| Supply Current ADLPC=1 ADLSMP=0 ADCO=1 | — | T | I _{DDA} | — | 218 | — | μA | — |
| Supply Current ADLPC=0 ADLSMP=1 ADCO=1 | — | T | I _{DDA} | — | 327 | — | μA | — |
| Supply Current ADLPC=0 ADLSMP=0 ADCO=1 | — | T | I _{DDA} | — | 0.582 | 1 | mA | — |
| ADC Asynchronous Clock Source | High Speed (ADLPC=0) | P | f _{ADACK} | 2 | 3.3 | 5 | MHz | t _{ADACK} = 1/f _{ADACK} |
| | Low Power (ADLPC=1) | | | 1.25 | 2 | 3.3 | | |
| Conversion Time (Including sample time) | Short Sample (ADLSMP=0) | P | t _{ADC} | — | 20 | — | ADCK cycles | See ADC chapter in MC9S08SC4 Reference Manual for conversion time variances |
| | Long Sample (ADLSMP=1) | | | — | 40 | — | | |
| Sample Time | Short Sample (ADLSMP=0) | P | t _{ADS} | — | 3.5 | — | ADCK cycles | |
| | Long Sample (ADLSMP=1) | | | — | 23.5 | — | | |
| Total Unadjusted Error | 10 bit mode | P | E _{TUE} | — | ±1.5 | ±3.5 | LSB | Includes quantization |
| | 8 bit mode | | | — | ±0.7 | ±1.5 | | |
| Differential Non-Linearity | 10 bit mode | P | DNL | — | ±0.5 | ±1.0 | LSB | Monotonicity and No-Missing-Codes guaranteed |
| | 8 bit mode | | | — | ±0.3 | ±0.5 | | |
| Integral Non-Linearity | 10 bit mode | C | INL | — | ±0.5 | ±1.0 | LSB | |
| | 8 bit mode | | | — | ±0.3 | ±0.5 | | |
| Zero-Scale Error | 10 bit mode | P | E _{ZS} | — | ±1.5 | ±2.5 | LSB | V _{ADIN} = V _{SSA} |
| | 8 bit mode | | | — | ±0.5 | ±0.7 | | |
| Full-Scale Error | 10 bit mode | P | E _{FS} | — | ±1 | ±1.5 | LSB | V _{ADIN} = V _{DDA} |
| | 8 bit mode | | | — | ±0.5 | ±0.5 | | |

Table 3-11. ADC Characteristics

| Characteristic | Conditions | C | Symb | Min | Typ ¹ | Max | Unit | Comment |
|---------------------|-------------|---|-------------------------|-----|------------------|------|-------|---|
| Quantization Error | 10 bit mode | D | E _Q | — | — | ±0.5 | LSB | — |
| | 8 bit mode | | | — | — | ±0.5 | | |
| Input Leakage Error | 10 bit mode | D | E _{IL} | — | ±0.2 | ±2.5 | LSB | Pad leakage ² * R _{AS} |
| | 8 bit mode | | | — | ±0.1 | ±1 | | |
| Temp Sensor Slope | −40°C– 25°C | D | m | — | 3.266 | — | mV/°C | — |
| | 25°C– 125°C | | | — | 3.638 | — | | |
| Temp Sensor Voltage | 25°C | D | V _{TEMP2} 5 | — | 1.396 | — | V | — |

¹ Typical values assume V_{DDA} = 5.0V, Temp = 25C, f_{ADCK} = 1.0MHz unless otherwise stated. Typical values are for reference only and are not tested in production.

² Based on input pad leakage current. Refer to pad electricals.

3.11 AC Characteristics

This section describes AC timing characteristics for each peripheral system.

3.11.1 Control Timing

Table 3-12. Control Timing

| Num | C | Rating | Symbol | Min | Typ ¹ | Max | Unit |
|-----|---|---|---------------------------------------|-------------------------------|------------------|------|------|
| 1 | D | Bus frequency (t _{cyc} = 1/f _{Bus}) | f _{Bus} | dc | — | 20 | MHz |
| 2 | P | Internal low power oscillator period | t _{LPO} | 700 | 975 | 1500 | μs |
| 3 | D | External reset pulse width ² | t _{extrst} | 100 | — | — | ns |
| 4 | D | Reset low drive ³ | t _{rstdrv} | 66 x t _{cyc} | — | — | ns |
| 5 | D | Pin interrupt pulse width Asynchronous path ² Synchronous path ⁴ | t _{ILIH} , t _{IHL} | 100 1.5 x t _{cyc} | — | — | ns |
| 6 | C | Port rise and fall time — Low output drive (PTxDS = 0) (load = 50 pF) ⁵ Slew rate control disabled (PTxSE = 0) Slew rate control enabled (PTxSE = 1) | t _{Rise} , t _{Fall} | — — | 40 75 | — | ns |
| | | Port rise and fall time — High output drive (PTxDS = 1) (load = 50 pF) ⁶ Slew rate control disabled (PTxSE = 0) Slew rate control enabled (PTxSE = 1) | t _{Rise} , t _{Fall} | — — | 11 35 | — | ns |

¹ Typical values are based on characterization data at V_{DD} = 5.0V, 25°C unless otherwise stated.

- 2 This is the shortest pulse that is guaranteed to be recognized as a reset pin request. Shorter pulses are not guaranteed to override reset requests from internal sources. Refer to Figure 3-9.
- 3 When any reset is initiated, internal circuitry drives the reset pin low for about 66 cycles of t_{CYC} . After POR reset the bus clock frequency changes to the untrimmed DCO frequency ($f_{reset} = (f_{dco_ut})/4$) because TRIM is reset to 0x80 and FTRIM is reset to 0, and there is an extra divide-by-two because BDIV is reset to 0:1. After other resets trim stays at the pre-reset value.
- 4 This is the minimum pulse width that is guaranteed to pass through the pin synchronization circuitry. Shorter pulses may or may not be recognized. In stop mode, the synchronizer is bypassed so shorter pulses can be recognized in that case.
- 5 Timing is shown with respect to 20% V_{DD} and 80% V_{DD} levels. Temperature range $-40^{\circ}C$ to $125^{\circ}C$.

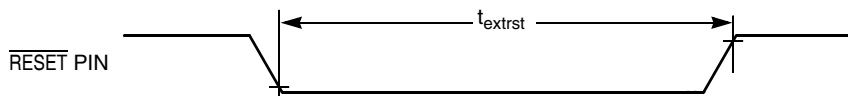


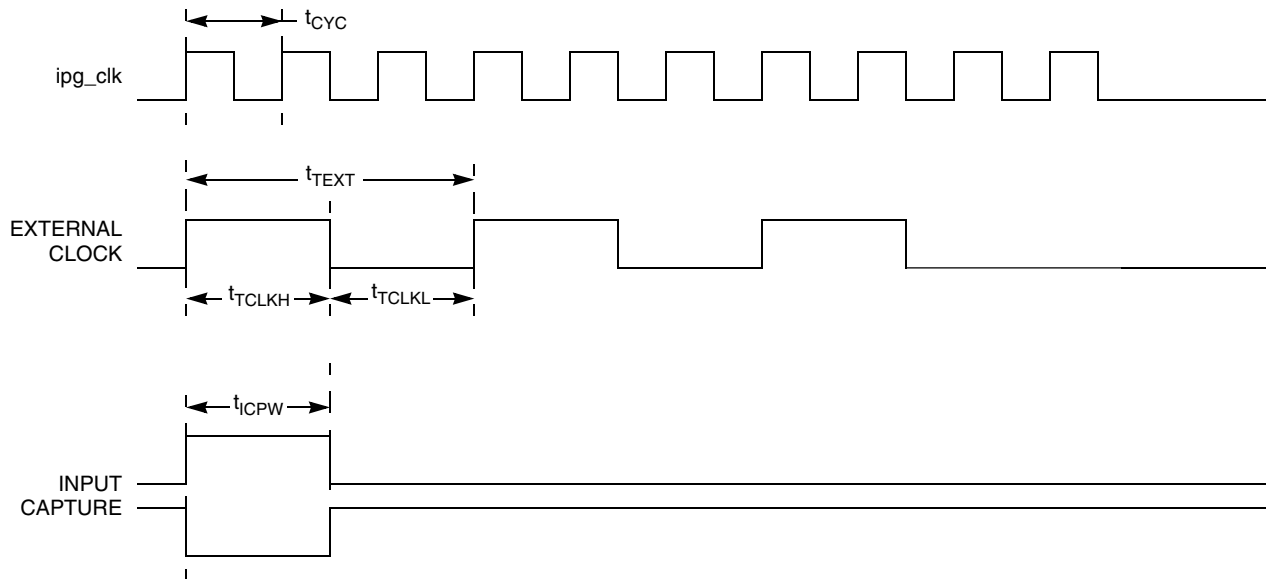
Figure 3-9. Reset Timing

3.11.2 TPM Module Timing

Synchronizer circuits determine the shortest input pulses that can be recognized or the fastest clock that can be used as the optional external source to the timer counter. These synchronizers operate from the current bus rate clock.

Table 3-13. TPM Input Timing

| Num | C | Rating | Symbol | Min | Max | Unit |
|-----|---|---------------------------|-------------|-----|--------------|-----------|
| 1 | — | External clock frequency | f_{TEXT} | dc | $1/4 f_{op}$ | MHz |
| 2 | — | External clock period | t_{TEXT} | 4 | — | t_{CYC} |
| 3 | — | External clock high time | t_{TCLKH} | 1.5 | — | t_{CYC} |
| 4 | — | External clock low time | t_{TCLKL} | 1.5 | — | t_{CYC} |
| 5 | — | Input capture pulse width | f_{ICPW} | 1.5 | — | t_{CYC} |



3.12 Flash Specifications

This section provides details about program/erase times and program-erase endurance for the FLASH memory.

Program and erase operations do not require any special power sources other than the normal V_{DD} supply. For more detailed information about program/erase operations, see the Memory section.

Table 3-14. FLASH Characteristics

| Num | C | Characteristic | Symbol | Min | Typical | Max | Unit |
|-----|---|--|------------------|-------------|--------------|--------|------------|
| 1 | — | Supply voltage for program/erase | $V_{prog/erase}$ | 4.5 | — | 5.5 | V |
| 2 | — | Supply voltage for read operation | V_{Read} | 4.5 | — | 5.5 | V |
| 3 | — | Internal FCLK frequency ¹ | f_{FCLK} | 150 | — | 200 | kHz |
| 4 | — | Internal FCLK period ($1/f_{FCLK}$) | t_{FcyC} | 5 | — | 6.67 | μs |
| 5 | — | Byte program time (random location) ² | t_{prog} | 9 | | | t_{FcyC} |
| 6 | — | Byte program time (burst mode) ² | t_{Burst} | 4 | | | t_{FcyC} |
| 7 | — | Page erase time ² | t_{Page} | 4000 | | | t_{FcyC} |
| 8 | — | Mass erase time ² | t_{Mass} | 20,000 | | | t_{FcyC} |
| 9 | C | Program/erase endurance ³ T_L to $T_H = -40^\circ C$ to $+125^\circ C$ $T = 25^\circ C$ | n_{FLPE} | 10,000 — | — 100,000 | — — | cycles |
| 10 | C | Data retention ⁴ | t_{D_ret} | 15 | 100 | — | years |

¹ The frequency of this clock is controlled by a software setting.

² These values are hardware state machine controlled. User code does not need to count cycles. This information supplied for calculating approximate time to program and erase.

³ Typical endurance for FLASH is based on the intrinsic bit cell performance. For additional information on how Freescale defines typical endurance, please refer to Engineering Bulletin EB619/D, Typical Endurance for Nonvolatile Memory.

⁴ Typical data retention values are based on intrinsic capability of the technology measured at high temperature and de-rated to $25^\circ C$ using the Arrhenius equation. For additional information on how Freescale defines typical data retention, please refer to Engineering Bulletin EB618/D, Typical Data Retention for Nonvolatile Memory.

3.13 EMC Performance

Electromagnetic compatibility (EMC) performance is highly dependant on the environment in which the MCU resides. Board design and layout, circuit topology choices, location and characteristics of external components as well as MCU software operation all play a significant role in EMC performance. The system designer should consult Freescale applications notes such as AN2321, AN1050, AN1263, AN2764, and AN1259 for advice and guidance specifically targeted at optimizing EMC performance.

3.13.1 Radiated Emissions

Microcontroller radiated RF emissions are measured from 150 kHz to 1 GHz using the TEM/GTEM Cell method in accordance with the IEC 61967-2 and SAE J1752/3 standards. The measurement is performed with the microcontroller installed on a custom EMC evaluation board while running specialized EMC test software. The radiated emissions from the microcontroller are measured in a TEM cell in two package orientations (North and East).

The maximum radiated RF emissions of the tested configuration in all orientations are less than or equal to the reported emissions levels.

Table 3-15. Radiated Emissions, Electric Field

| Parameter | Symbol | Conditions | Frequency | f_{osc}/f_{BUS} | Level ¹ (Max) | Unit | |
|---------------------------------------|---------------|--|----------------|----------------------------|-----------------------------|------------|---|
| Radiated emissions, electric field | V_{RE_TEM} | $V_{DD} = 5\text{ V}$ $T_A = +25^\circ\text{C}$ package type 16-TSSOP | 0.15 – 50 MHz | 4 MHz crystal 8 MHz bus | -7 | dB μ V | |
| | | | 50 – 150 MHz | | -11 | | |
| | | | 150 – 500 MHz | | -11 | | |
| | | | 500 – 1000 MHz | | -10 | | |
| | | | IEC Level | | N | | — |
| | | | SAE Level | | 1 | | — |

¹ Data based on qualification test results.

Chapter 4

Ordering Information and Mechanical Drawings

4.1 Ordering Information

This section contains ordering information for MC9S08SC4 device.

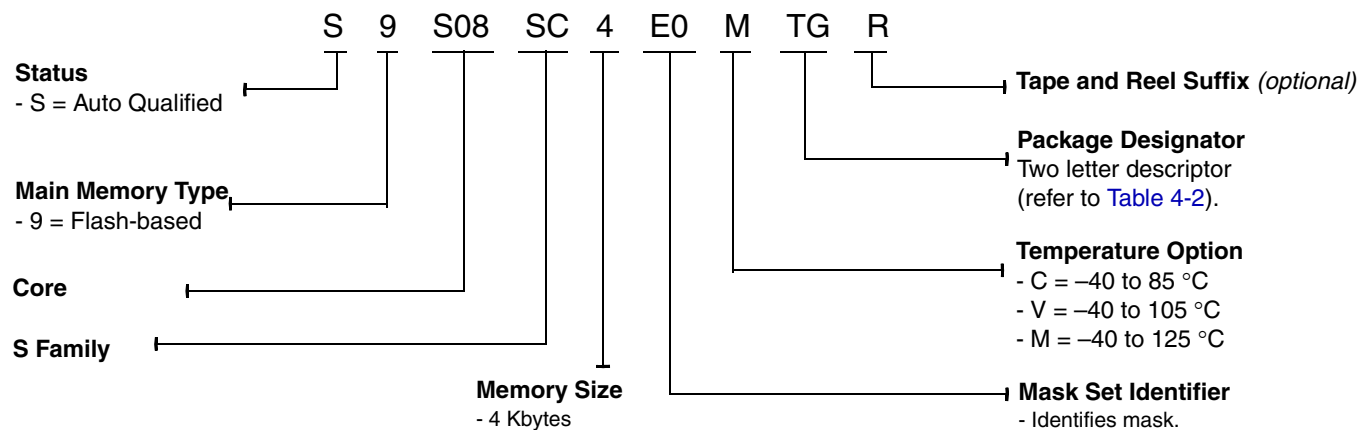
Table 4-1. Device Numbering System

| Device Number ¹ | Memory | | Available Packages ² |
|----------------------------|--------|-----|---------------------------------|
| | FLASH | RAM | |
| S9S08SC4E0MTG | 4K | 256 | 16 TSSOP |

¹ See MC9S08SC4 Reference Manual for a complete description of modules included on each device.

² See [Table 4-2](#) for package information.

4.1.1 Device Numbering Scheme



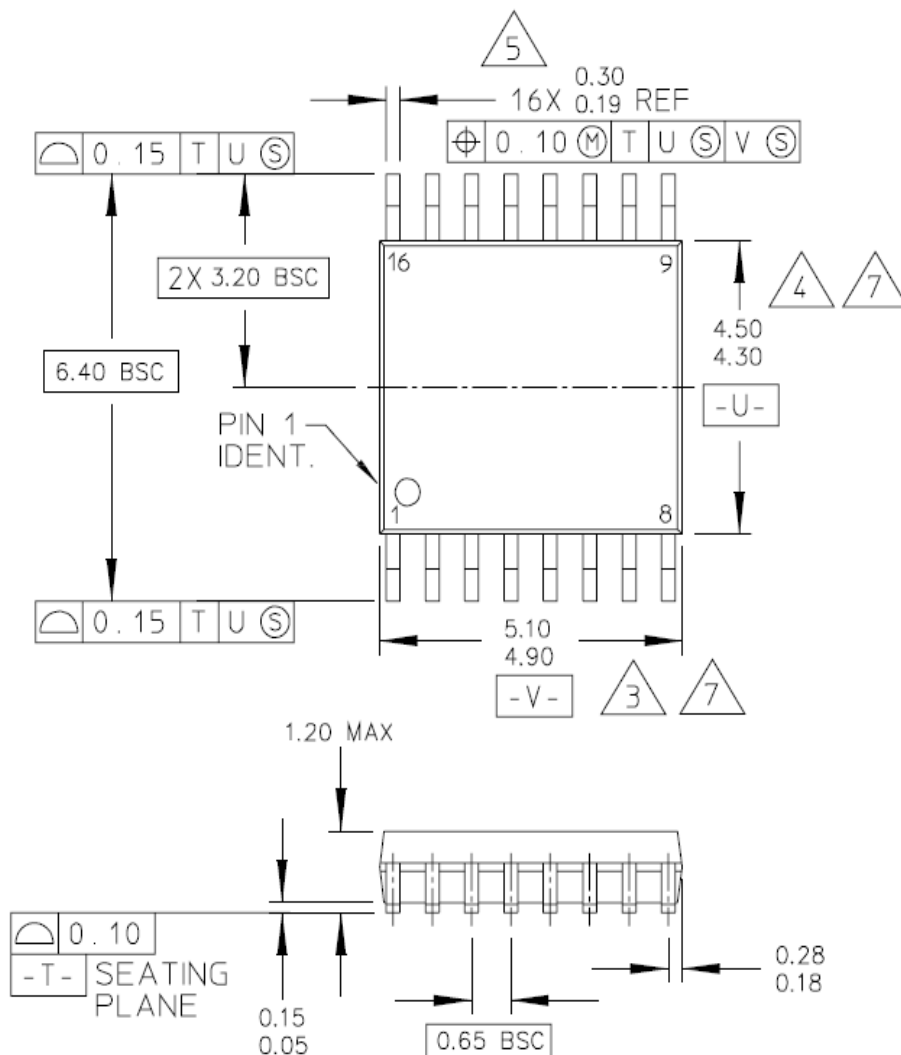
4.2 Package Information

Table 4-2. Package Information

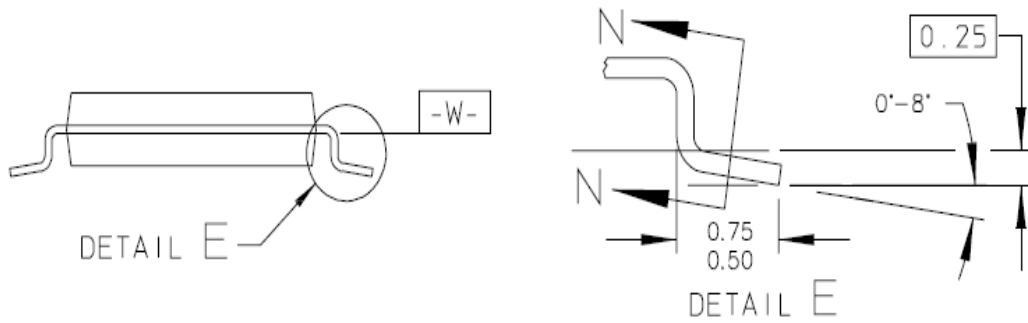
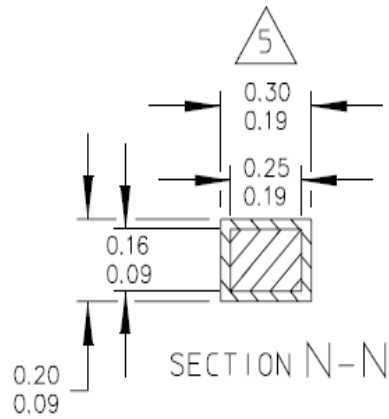
| Pin Count | Type | Designator | Case Number | Document No. |
|-----------|-------|------------|-------------|--------------|
| 16 | TSSOP | TG | 948F-01 | 98ASH70247A |

4.3 Mechanical Drawings

The following pages are mechanical drawings for the package described in [Table 4-2](#).



| | | | | | |
|---|--|--------------------------|--|----------------------------|--|
| © FREESCALE SEMICONDUCTOR, INC. ALL RIGHTS RESERVED. | | MECHANICAL OUTLINE | | PRINT VERSION NOT TO SCALE | |
| TITLE: 16 LD TSSOP, PITCH 0.65MM | | DOCUMENT NO: 98ASH70247A | | REV: B | |
| | | CASE NUMBER: 948F-01 | | 19 MAY 2005 | |
| | | STANDARD: JEDEC | | | |



| | | | |
|---|--------------------------|----------------------------|--|
| © FREESCALE SEMICONDUCTOR, INC. ALL RIGHTS RESERVED. | MECHANICAL OUTLINE | PRINT VERSION NOT TO SCALE | |
| TITLE: 16 LD TSSOP, PITCH 0.65MM | DOCUMENT NO: 98ASH70247A | REV: B | |
| | CASE NUMBER: 948F-01 | 19 MAY 2005 | |
| | STANDARD: JEDEC | | |

NOTES:

1. CONTROLLING DIMENSION: MILLIMETER
2. DIMENSIONS AND TOLERANCES PER ANSI Y14.5M-1982.
3. DIMENSION DOES NOT INCLUDE MOLD FLASH, PROTRUSIONS OR GATE BURRS. MOLD FLASH OR GATE BURRS SHALL NOT EXCEED 0.15 PER SIDE.
4. DIMENSION DOES NOT INCLUDE INTERLEAD FLASH OR PROTRUSION. INTERLEAD FLASH OR PROTRUSION SHALL NOT EXCEED 0.25 PER SIDE.
5. DIMENSION DOES NOT INCLUDE DAMBAR PROTRUSION. ALLOWABLE DAMBAR PROTRUSION SHALL BE 0.08 TOTAL IN EXCESS OF THE DIMENSION AT MAXIMUM MATERIAL CONDITION.
6. TERMINAL NUMBERS ARE SHOWN FOR REFERENCE ONLY.
7. DIMENSIONS ARE TO BE DETERMINED AT DATUM PLANE -W-.

| | | | |
|---|--------------------------|----------------------------|--|
| © FREESCALE SEMICONDUCTOR, INC. ALL RIGHTS RESERVED. | MECHANICAL OUTLINE | PRINT VERSION NOT TO SCALE | |
| TITLE: 16 LD TSSOP, PITCH 0.65MM | DOCUMENT NO: 98ASH70247A | REV: B | |
| | CASE NUMBER: 948F-01 | 19 MAY 2005 | |
| | STANDARD: JEDEC | | |

Chapter 5

Revision History

To provide the most up-to-date information, the version of our documents on the World Wide Web will be the most current. Your printed copy may be an earlier revision. To verify you have the latest information available, refer to:
<http://freescale.com/>

The following revision history table summarizes changes contained in this document.

| Revision Number | Revision Date | Description of Changes |
|-----------------|---------------|---|
| 1 | 9/2008 | <ul style="list-style-type: none"> Initial Release. |
| 2 | 7/2009 | <ul style="list-style-type: none"> Incorporated editing updates. Added C and V temperature ranges at page 1. Updated Section 3.10, "ADC Characteristics". Updated Table 3-3, Table 3-6, Table 3-7, Table 3-9, Table 3-12, Table 3-15 and Section 4.1.1, "Device Numbering Scheme". Added actual package mechanical drawings. Updated Figure 3-5, Figure 3-6. Removed Transient Susceptibility Section. Updated disclaimer page. |
| 3 | 3/2010 | <ul style="list-style-type: none"> Updated TSSOP-16 package diagram, clarified ICS deviation, SCI LIN features at page 1. Updated Table 3-6, Table 3-7, Table 3-9, Table 3-12, Table 4-1. Updated Figure 3-5 and Figure 3-7. |
| 4 | 6/2010 | <ul style="list-style-type: none"> Document changed from Advance Information to Technical Data Updated footnotes in Table 3-7 Updated Figure 3-5 |

How to Reach Us:

Home Page:

www.freescale.com

Web Support:

<http://www.freescale.com/support>

USA/Europe or Locations Not Listed:

Freescale Semiconductor, Inc.
Technical Information Center, EL516
2100 East Elliot Road
Tempe, Arizona 85284
1-800-521-6274 or +1-480-768-2130
www.freescale.com/support

Europe, Middle East, and Africa:

Freescale Halbleiter Deutschland GmbH
Technical Information Center
Schatzbogen 7
81829 Muenchen, Germany
+44 1296 380 456 (English)
+46 8 52200080 (English)
+49 89 92103 559 (German)
+33 1 69 35 48 48 (French)
www.freescale.com/support

Japan:

Freescale Semiconductor Japan Ltd.
Headquarters
ARCO Tower 15F
1-8-1, Shimo-Meguro, Meguro-ku,
Tokyo 153-0064
Japan
0120 191014 or +81 3 5437 9125
support.japan@freescale.com

Asia/Pacific:

Freescale Semiconductor China Ltd.
Exchange Building 23F
No. 118 Jianguo Road
Chaoyang District
Beijing 100022
China
+86 10 5879 8000
support.asia@freescale.com

For Literature Requests Only:

Freescale Semiconductor Literature Distribution Center
1-800-441-2447 or +1-303-675-2140
Fax: +1-303-675-2150
LDCForFreescaleSemiconductor@hibbertgroup.com

Information in this document is provided solely to enable system and software implementers to use Freescale Semiconductor products. There are no express or implied copyright licenses granted hereunder to design or fabricate any integrated circuits or integrated circuits based on the information in this document.

Freescale Semiconductor reserves the right to make changes without further notice to any products herein. Freescale Semiconductor makes no warranty, representation or guarantee regarding the suitability of its products for any particular purpose, nor does Freescale Semiconductor assume any liability arising out of the application or use of any product or circuit, and specifically disclaims any and all liability, including without limitation consequential or incidental damages. "Typical" parameters that may be provided in Freescale Semiconductor data sheets and/or specifications can and do vary in different applications and actual performance may vary over time. All operating parameters, including "Typicals", must be validated for each customer application by customer's technical experts. Freescale Semiconductor does not convey any license under its patent rights nor the rights of others. Freescale Semiconductor products are not designed, intended, or authorized for use as components in systems intended for surgical implant into the body, or other applications intended to support or sustain life, or for any other application in which the failure of the Freescale Semiconductor product could create a situation where personal injury or death may occur. Should Buyer purchase or use Freescale Semiconductor products for any such unintended or unauthorized application, Buyer shall indemnify and hold Freescale Semiconductor and its officers, employees, subsidiaries, affiliates, and distributors harmless against all claims, costs, damages, and expenses, and reasonable attorney fees arising out of, directly or indirectly, any claim of personal injury or death associated with such unintended or unauthorized use, even if such claim alleges that Freescale Semiconductor was negligent regarding the design or manufacture of the part.



Freescale™ and the Freescale logo are trademarks of Freescale Semiconductor, Inc. All other product or service names are the property of their respective owners.

© Freescale Semiconductor, Inc. 2010. All rights reserved.

MC9S08SC4
Rev.4
6/2010

Компания «Океан Электроники» предлагает заключение долгосрочных отношений при поставках импортных электронных компонентов на взаимовыгодных условиях!

Наши преимущества:

- Поставка оригинальных импортных электронных компонентов напрямую с производств Америки, Европы и Азии, а так же с крупнейших складов мира;
- Широкая линейка поставок активных и пассивных импортных электронных компонентов (более 30 млн. наименований);
- Поставка сложных, дефицитных, либо снятых с производства позиций;
- Оперативные сроки поставки под заказ (от 5 рабочих дней);
- Экспресс доставка в любую точку России;
- Помощь Конструкторского Отдела и консультации квалифицированных инженеров;
- Техническая поддержка проекта, помощь в подборе аналогов, поставка прототипов;
- Поставка электронных компонентов под контролем ВП;
- Система менеджмента качества сертифицирована по Международному стандарту ISO 9001;
- При необходимости вся продукция военного и аэрокосмического назначения проходит испытания и сертификацию в лаборатории (по согласованию с заказчиком);
- Поставка специализированных компонентов военного и аэрокосмического уровня качества (Xilinx, Altera, Analog Devices, Intersil, Interpoint, Microsemi, Actel, Aeroflex, Peregrine, VPT, Syfer, Eurofarad, Texas Instruments, MS Kennedy, Miteq, Cobham, E2V, MA-COM, Hittite, Mini-Circuits, General Dynamics и др.);

Компания «Океан Электроники» является официальным дистрибьютором и эксклюзивным представителем в России одного из крупнейших производителей разъемов военного и аэрокосмического назначения «JONHON», а так же официальным дистрибьютором и эксклюзивным представителем в России производителя высокотехнологичных и надежных решений для передачи СВЧ сигналов «FORSTAR».



JONHON

«JONHON» (основан в 1970 г.)

Разъемы специального, военного и аэрокосмического назначения:

(Применяются в военной, авиационной, аэрокосмической, морской, железнодорожной, горно- и нефтедобывающей отраслях промышленности)

«FORSTAR» (основан в 1998 г.)

ВЧ соединители, коаксиальные кабели,
кабельные сборки и микроволновые компоненты:

(Применяются в телекоммуникациях гражданского и специального назначения, в средствах связи, РЛС, а так же военной, авиационной и аэрокосмической отраслях промышленности).



Телефон: 8 (812) 309-75-97 (многоканальный)

Факс: 8 (812) 320-03-32

Электронная почта: ocean@oceanchips.ru

Web: <http://oceanchips.ru/>

Адрес: 198099, г. Санкт-Петербург, ул. Калинина, д. 2, корп. 4, лит. А