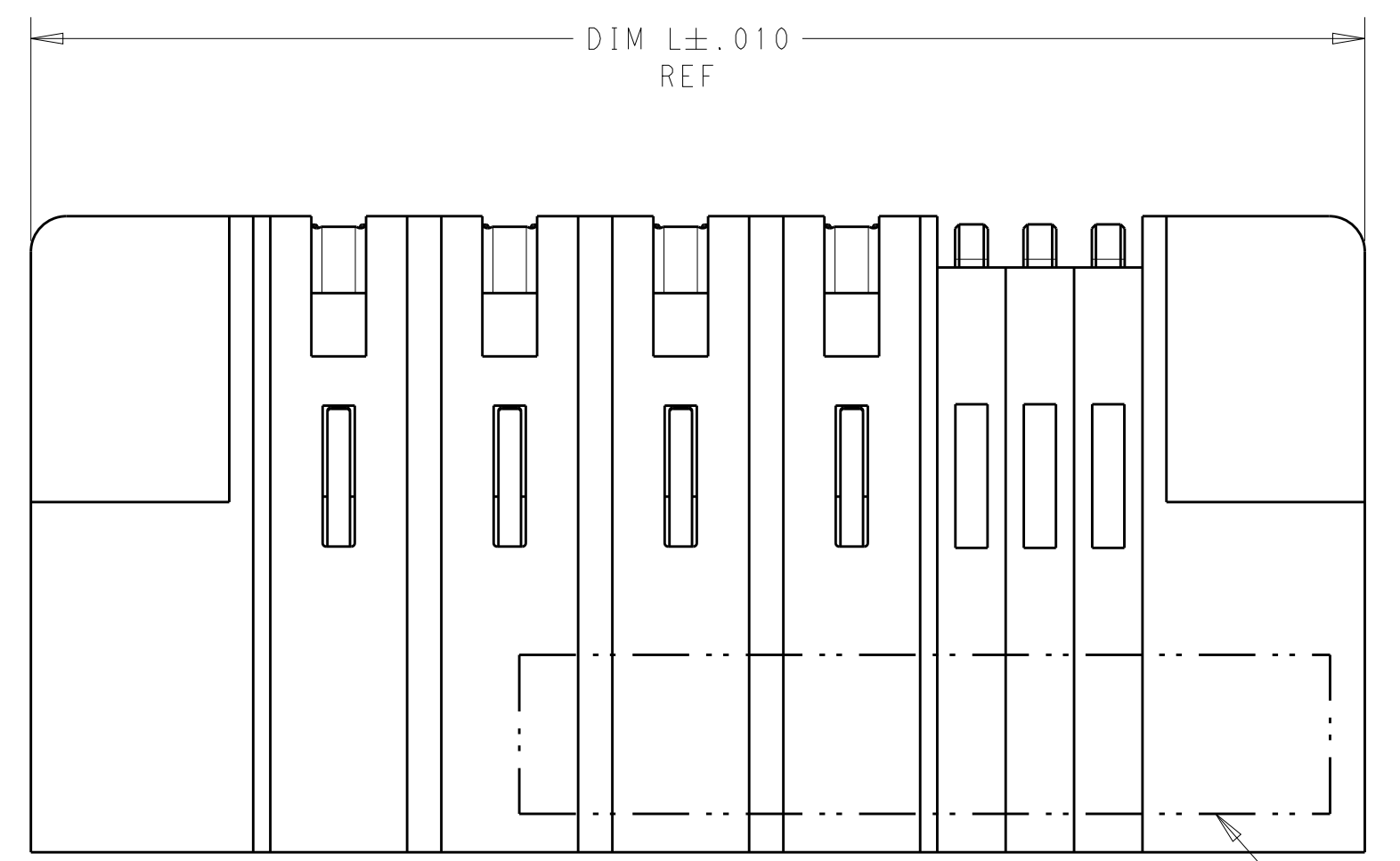
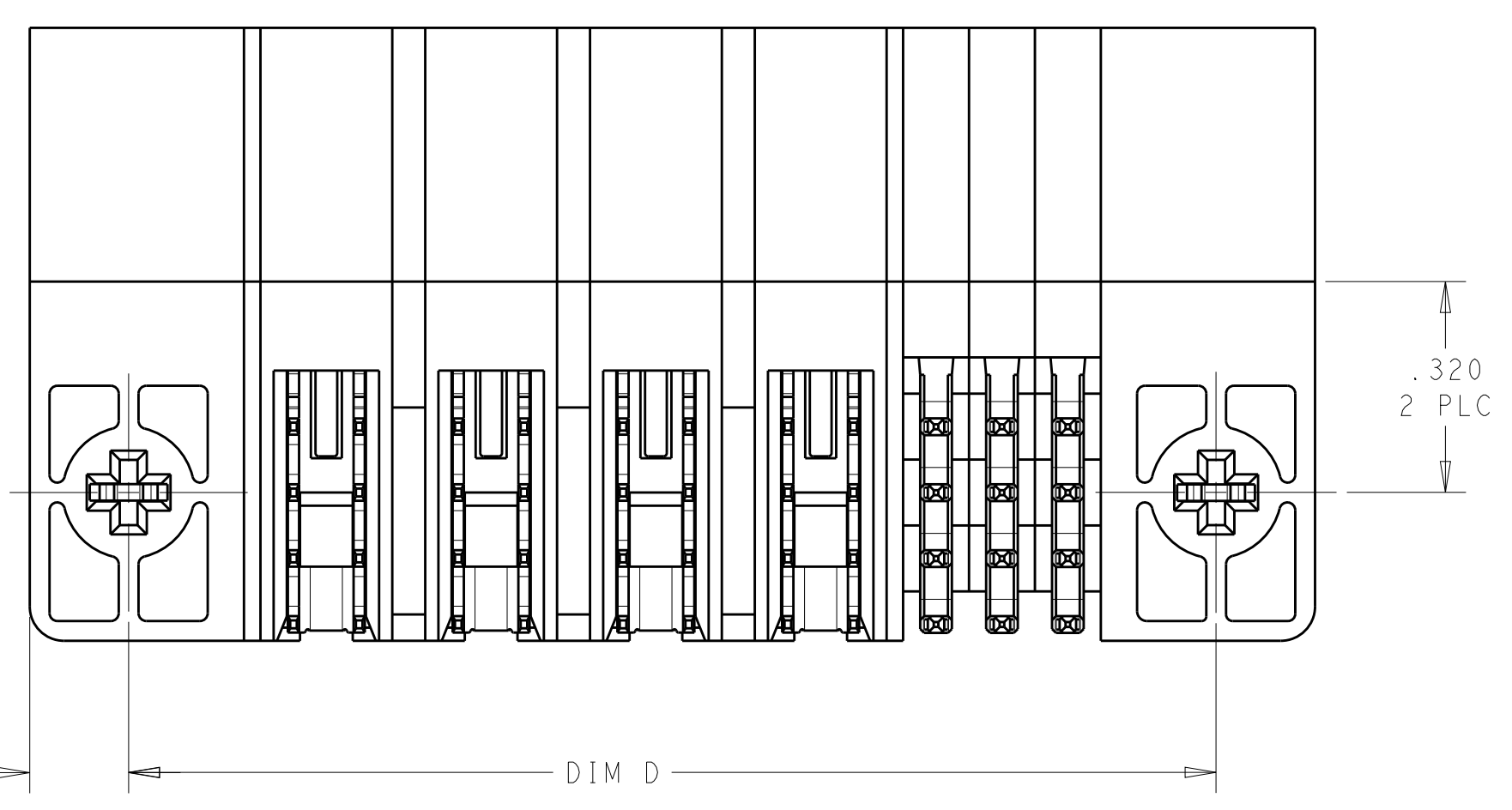
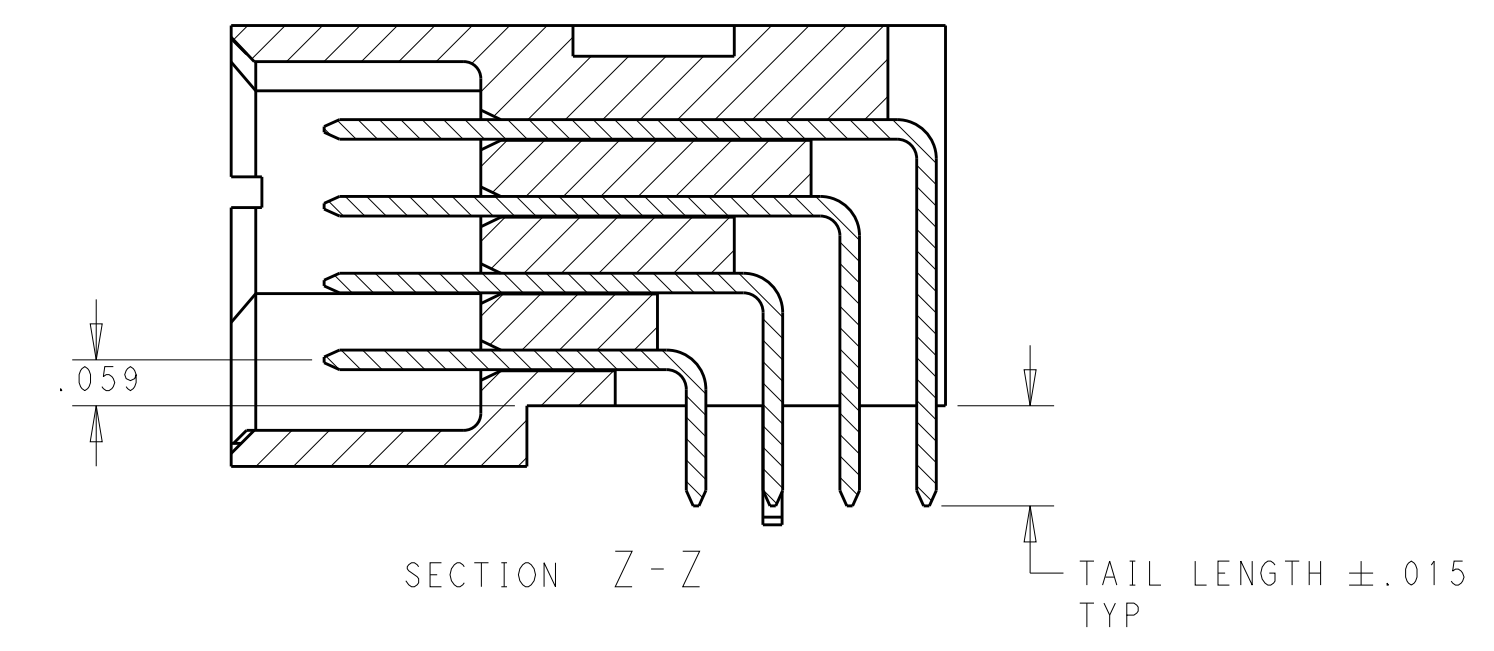
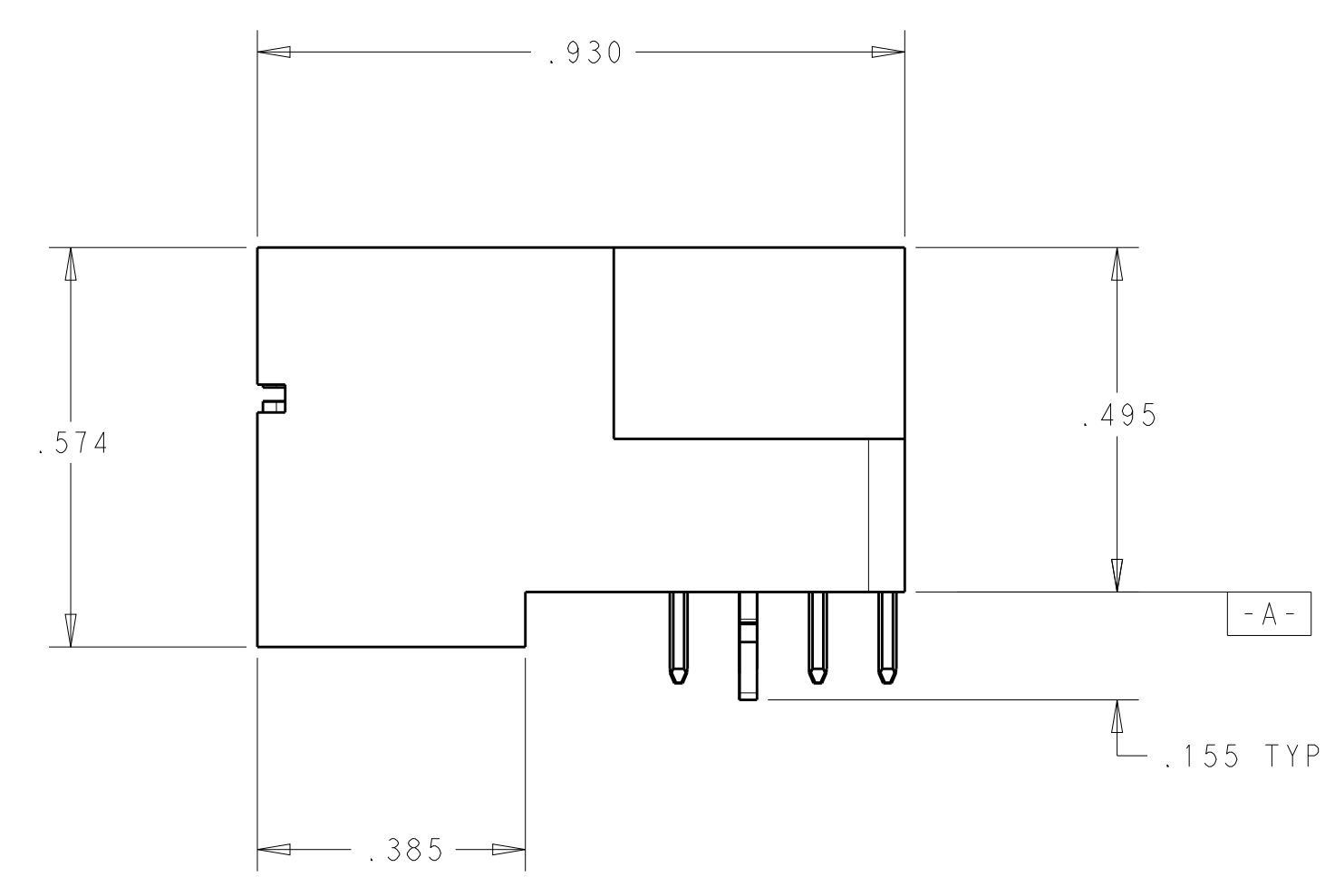
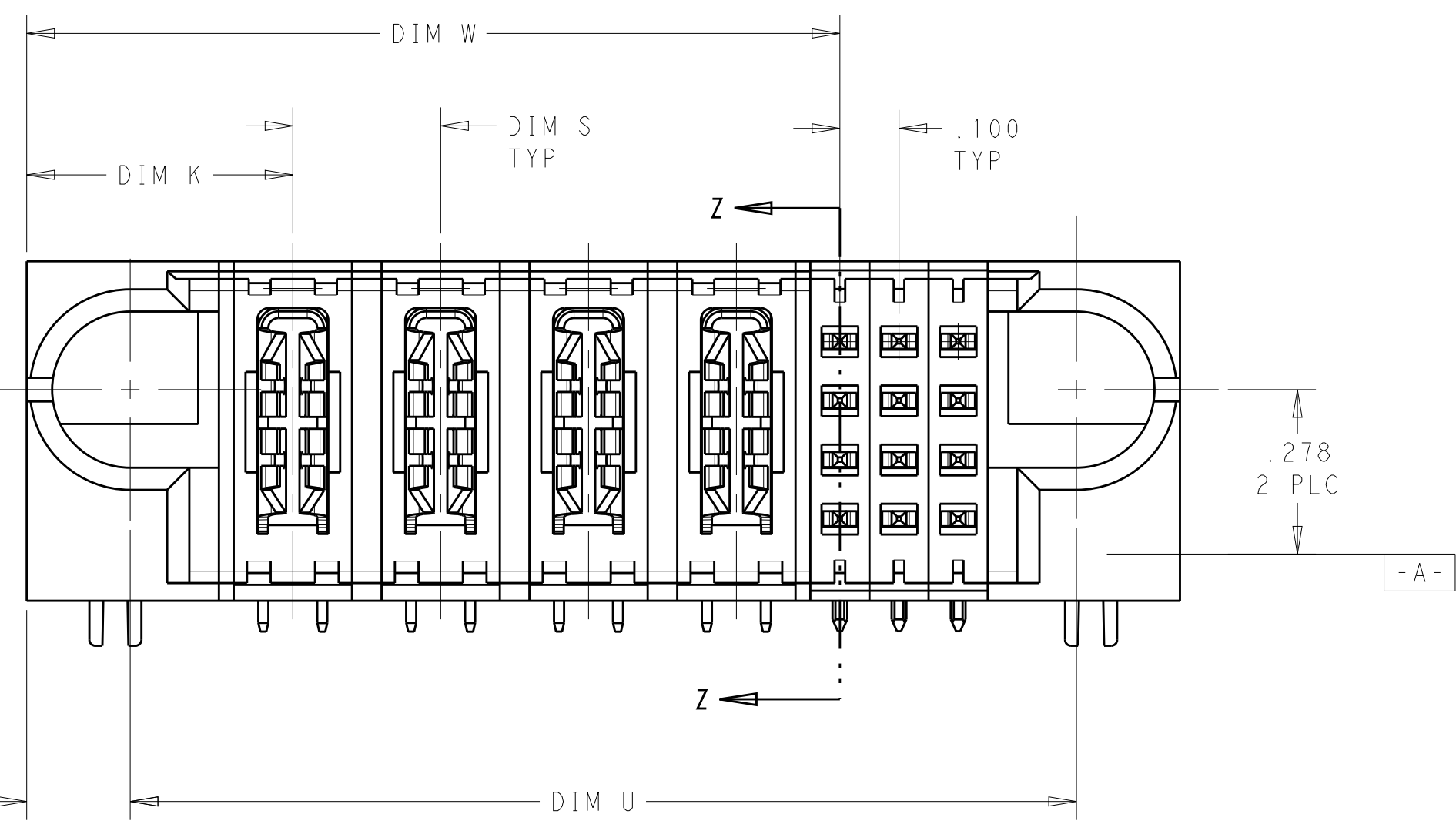


LOC	DIST	REVISIONS					
		P	LTN	DESCRIPTION	DATE	DWN	APVD
GP	00	E3		ADD NEW DASH NUMBER	27DEC2013	AL	SZ



- 1 "AMP" TRADEMARK, PART NUMBER, AND DATE CODE TO BE MARKED IN AREA SHOWN.
- 2 MATERIAL:  
HOUSING - GLASS FILLED HIGH TEMP THERMO PLASTIC, BLACK, UL94 V-0  
SIGNAL CONTACT - COPPER ALLOY  
POWER CONTACT - HIGH CONDUCTIVITY COPPER ALLOY
- 3 CONTACT PLATING: NOBLE METAL PLATING ON CONTACT FUNCTIONAL AREA OF POWER AND SIGNAL CONTACTS
- 4 MECHANICAL CONNECTOR KEEP OUT ZONE
- 5 DATUM AND BASIC DIMENSIONS ESTABLISHED BY CUSTOMER
- 6 PCB - ALL HOLE DIAMETERS ARE FINISHED HOLE SIZES
- 7 PCB - .0453+/- .0010 DRILLED HOLES PLATED WITH .0003 MIN Sn OVER .001 TO .003 PLATING TO ACHIEVE A .040 DIA HOLE
- 8 VARIABLE DIMENSION SHOWN ON TABLE.
- 9 NOT RELEASED FOR PRODUCTION.




THIS DRAWING IS A CONTROLLED DOCUMENT.		DWN R. GRZYBOWSKI	10FEB05		TE Connectivity	
DIMENSIONS: INCHES		CHK M. PERCHERKE	10FEB05		NAME RIGHT ANGLE HEADER ASSEMBLY W/GUIDES MULTI-BEAM XL	
TOLERANCES UNLESS OTHERWISE SPECIFIED:		APVD M. PERCHERKE		PRODUCT SPEC		
0 PLC ± .01		108-1973		APPLICATION SPEC		
1 PLC ± .01		114-13038		SIZE CAGE CODE DRAWING NO		
2 PLC ± .005		A100779		C=6450132		
3 PLC ± .002		CUSTOMER DRAWING		RESTRICTED TO		
4 PLC ± .0020		SCALE 1:1		SHEET 1 OF 11		
ANGLES ± .2°		REV E3				
FINISH						

THIS DRAWING IS UNPUBLISHED. RELEASED FOR PUBLICATION 20  
 © COPYRIGHT 20 TE CONNECTIVITY ALL RIGHTS RESERVED.

LOC	DIST	REVISIONS					
		P	LTN	DESCRIPTION	DATE	OWN	APVD
GP	00	-		SEE SHEET 1	-	-	-

E3

4.050	$\triangle 8$	3.325	4.100	.450	4.400	4ACP + 9P + 32S	2-6450132-7
4.000	-	.375	4.050	-	4.350	148S	2-6450132-6
3.575	$\triangle 8$	3.125	3.625	.450	3.925	5ACP+6HDP + 20S	2-6450132-5
2.950	.200	2.425	3.000	.450	3.300	10P + 24S	2-6450132-4
2.950	.200	2.425	3.000	.450	3.300	10P + 24S	2-6450132-3
$\triangle 9$ 3.350	.200	2.825	3.400	.450	3.700	12HDP + 24S	2-6450132-2
2.950	.200	2.425	3.000	.450	3.300	10P + 24S	2-6450132-1
$\triangle 9$ 2.150	.200	1.625	2.200	.450	2.500	6P + 24S	2-6450132-0
$\triangle 9$ 3.325	$\triangle 8$	2.800	3.375	.425	3.675	3ACP + 6P + 24S	1-6450132-9
2.075	.300	1.550	2.125	.475	2.425	4ACP + 24S	1-6450132-8
4.000	-	.375	4.050	-	4.350	148S	1-6450132-7
2.300	.250	1.875	2.350	.450	2.650	6P + 20S	1-6450132-6
4.700	.250	3.925	4.750	.450	5.050	14P + 32S	1-6450132-5
2.825	$\triangle 8$	2.300	2.875	.475	3.175	3ACP + 4P + 24S	1-6450132-3
2.900	.250	2.375	2.950	.450	3.250	8P + 24S	1-6450132-2
2.250	.250	1.975	2.300	.475	2.600	6P + 12S	6450132-8
2.675	.250	2.125	2.725	.450	3.025	7P + 24S	6450132-7
1.100	-	.575	1.150	.425	1.450	1P + 24S	6450132-6
2.925	.250	2.375	2.975	.450	3.275	8P + 24S	6450132-5
4.600	.250	3.875	4.650	.450	4.950	14P + 32S	6450132-4
3.000	.250	2.375	3.050	.450	3.350	8P + 28S	6450132-3
1.600	.250	1.375	1.650	.450	1.950	4P + 12S	6450132-2
1.600	.250	1.375	1.650	.450	1.950	4P + 12S	6450132-1
DIM U	DIM S	DIM W	DIM D	DIM K	DIM L	DESCRIPTION	PART NUMBER

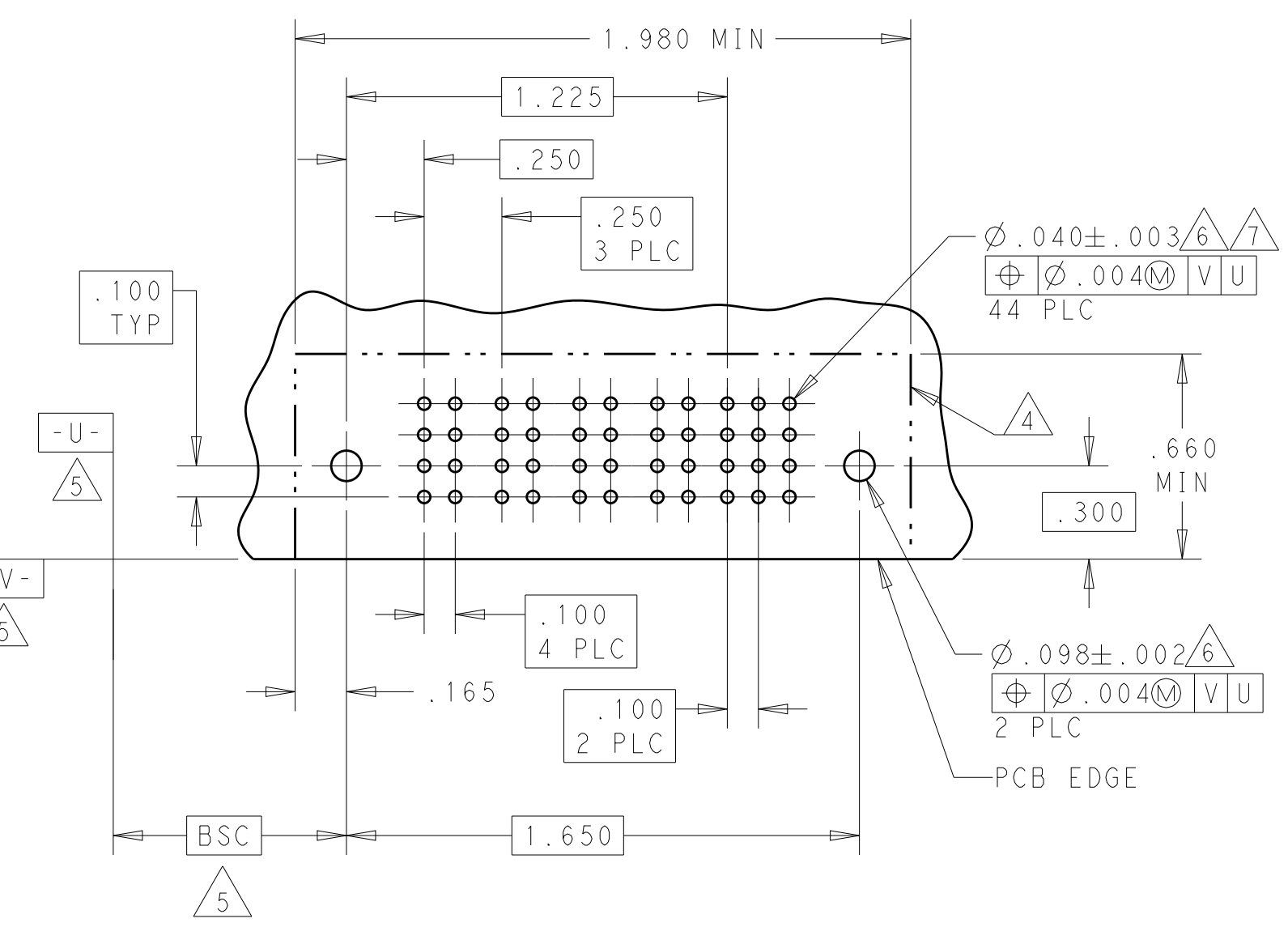
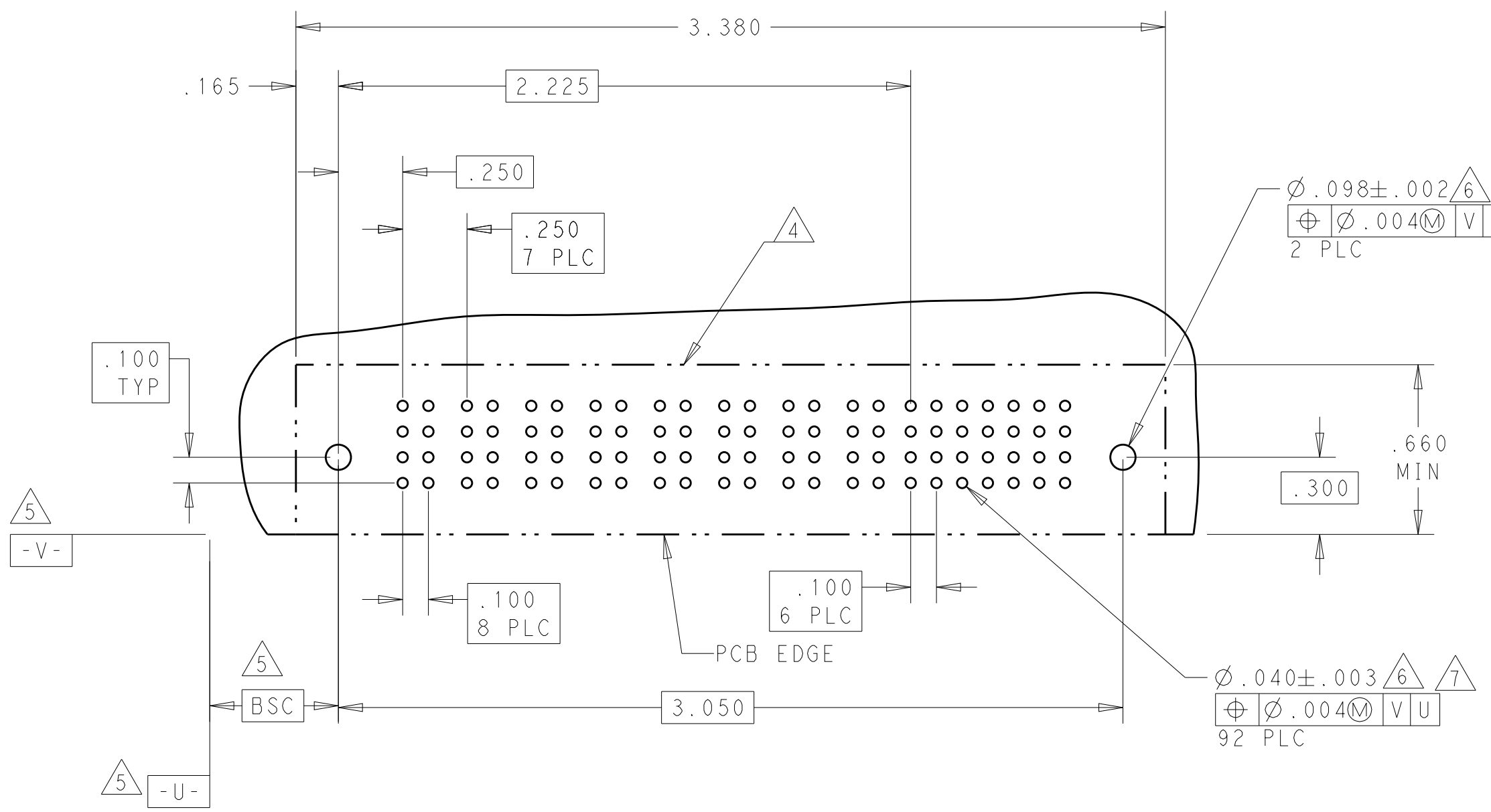
THIS DRAWING IS A CONTROLLED DOCUMENT.		OWN R. GRZYBOWSKI	TOFEB05	 TE Connectivity
DIMENSIONS: INCHES		CHK M. PERCHERKE	TOFEB05	
TOLERANCES UNLESS OTHERWISE SPECIFIED:		APVD M. PERCHERKE	NAME	RIGHT ANGLE HEADER ASSEMBLY W/GUIDES MULTI-BEAM XL
0 PLC ±.01		PRODUCT SPEC	108-1973	
1 PLC ±.01		APPLICATION SPEC	114-13038	
2 PLC ±.005		SIZE	A100779	
3 PLC ±.005		WEIGHT	6450132	RESTRICTED TO
4 PLC ±.0020		FINISH	CUSTOMER DRAWING	SCALE 1:1
ANGLES ±.020				SHEET 2 OF 11
FINISH				REV E3

LOC	DIST	REVISIONS			
GP	00	REV	DATE	BY	APPD
-	-	SEE SHEET 1	-	-	-

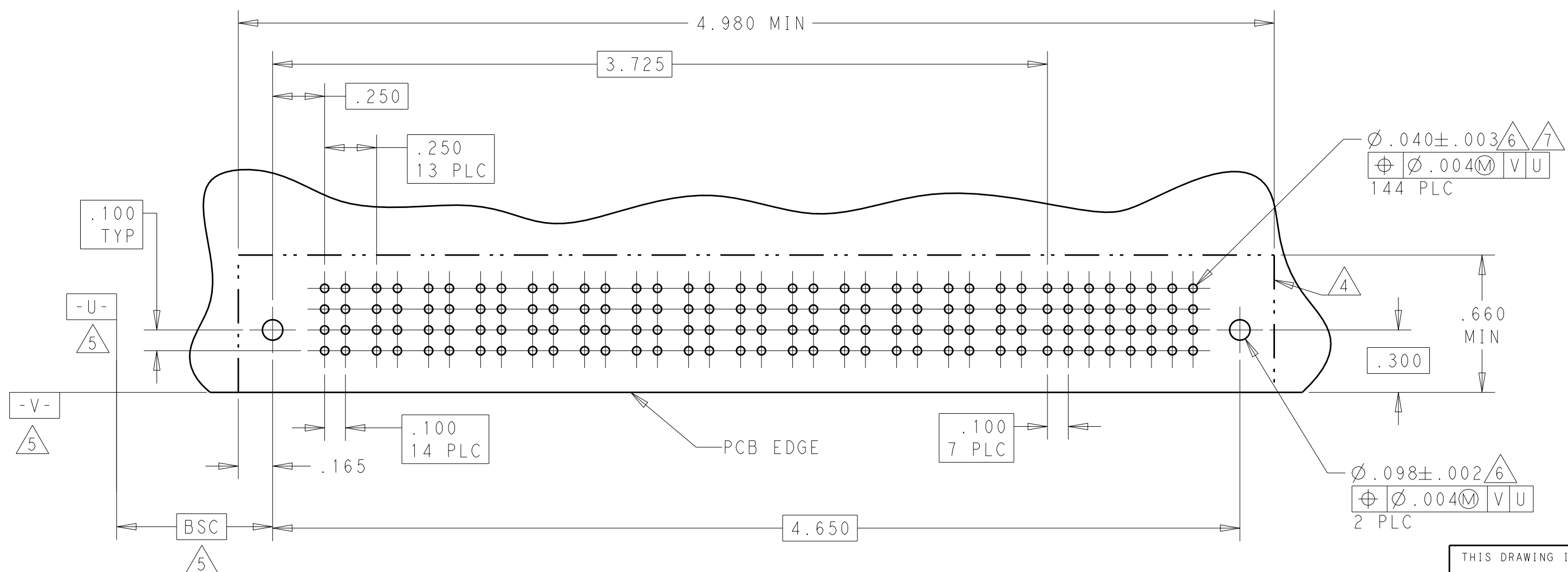
PART NUMBER	ROWS	POWER				SIGNAL		
		P1	P2	P3	P4	1	2	3
6450132-1	D C B A	PM	PM	PM	J	E	J	
					K	F	F	
					N	N	N	
					S	S	S	
4P + 12S								

PART NUMBER	ROWS	POWER				SIGNAL		
		P1	P2	P3	P4	1	2	3
6450132-2	D C B A	PM	PM	PM	J	E	J	
					K	F	F	
					N	N	N	
					S	S	S	
4P + 12S								

PART NUMBER	ROWS	POWER								SIGNAL						
		P1	P2	P3	P4	P5	P6	P7	P8	1	2	3	4	5	6	7
6450132-3	D C B A	PM	PM	PM	PM	PM	PM	PM	PM	E	E	E	E	E	E	E
										F	F	F	F	F	F	F
										G	G	G	G	G	G	G
										S	S	S	S	H	H	H
8P + 28S																



PART NUMBER	ROWS	POWER														SIGNAL									
		P1	P2	P3	P4	P5	P6	P7	P8	P9	P10	P11	P12	P13	P14	1	2	3	4	5	6	7	8		
6450132-4	D C B A	PM	PM	PM	PM	PM	PM	PM	PM	PM	PM	PM	PM	PM	J	J	J	E	J	J	J	J			
															K	K	K	F	K	K	K	K			
															N	N	N	N	N	N	N	N			
															S	S	S	S	S	S	S	S			
14P + 32S																									



Z	STD	.090	D
Y	STD	.090	C
R	STD	.090	B
O	STD	.090	A
A4	MLBF	.090	D
A3	MLBF	.090	C
A2	MLBF	.090	B
A1	MLBF	.090	A
E	MLBF	.135	D
F	MLBF	.135	C
G	MLBF	.135	B
H	MLBF	.135	A
J	STD	.135	D
K	STD	.135	C
N	STD	.135	B
S	STD	.135	A
CODE	MATING SEQUENCE	TAIL LENGTH	ROW
SIGNAL CONTACT			

PA	.090
PM	.135
CODE	TAIL LENGTH
POWER CONTACT	

THIS DRAWING IS A CONTROLLED DOCUMENT.

OWN: R. GRZYBOWSKI, TOFEB05  
CHK: M. PERCHERKE, TOFEB05  
APVD: M. PERCHERKE

DIMENSIONS: INCHES  
TOLERANCES UNLESS OTHERWISE SPECIFIED:  
0 PLC ±.01  
1 PLC ±.01  
2 PLC ±.01  
3 PLC ±.01  
4 PLC ±.0020  
ANGLES ±.020

MATERIAL: .  
FINISH: .

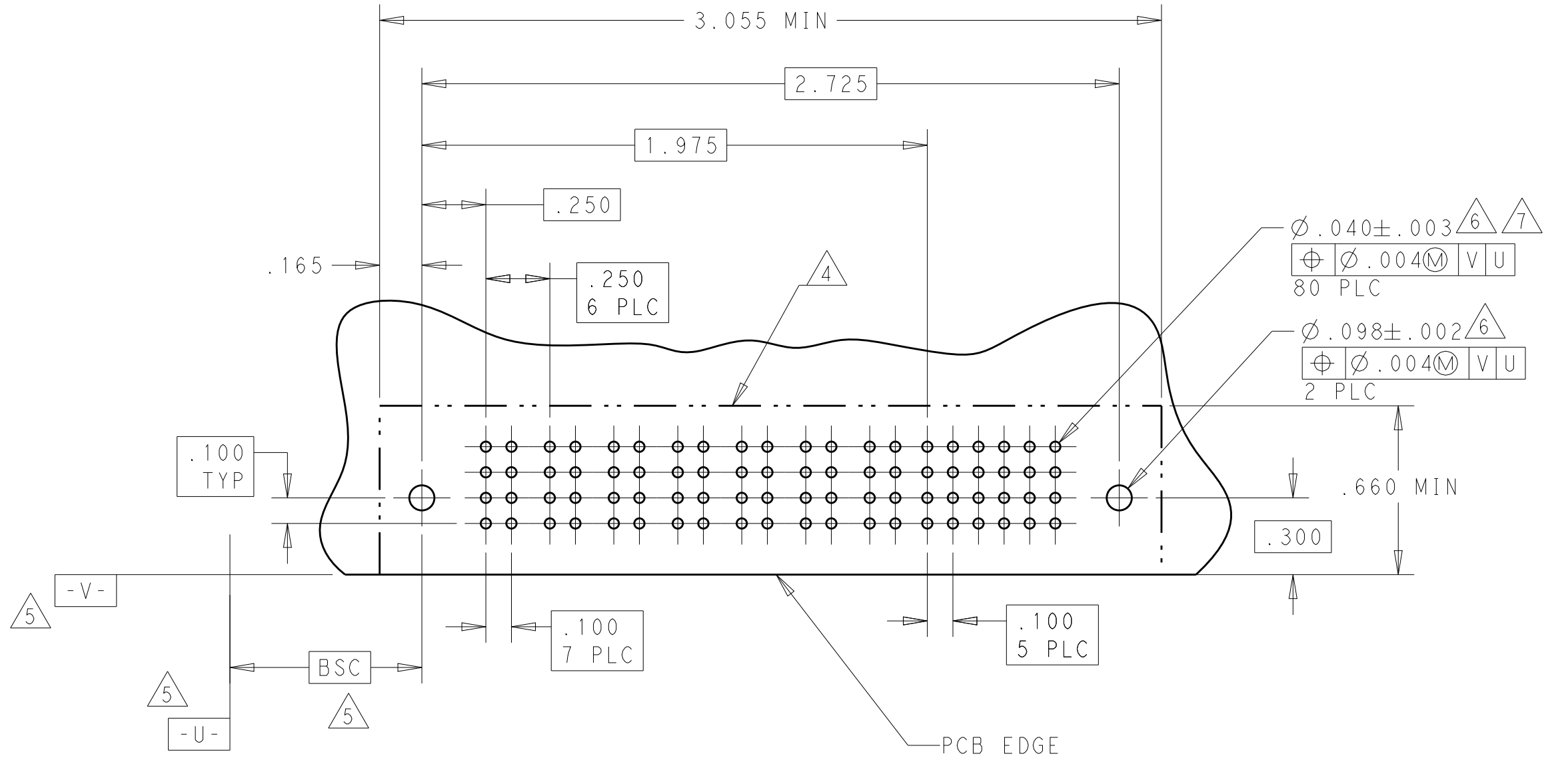
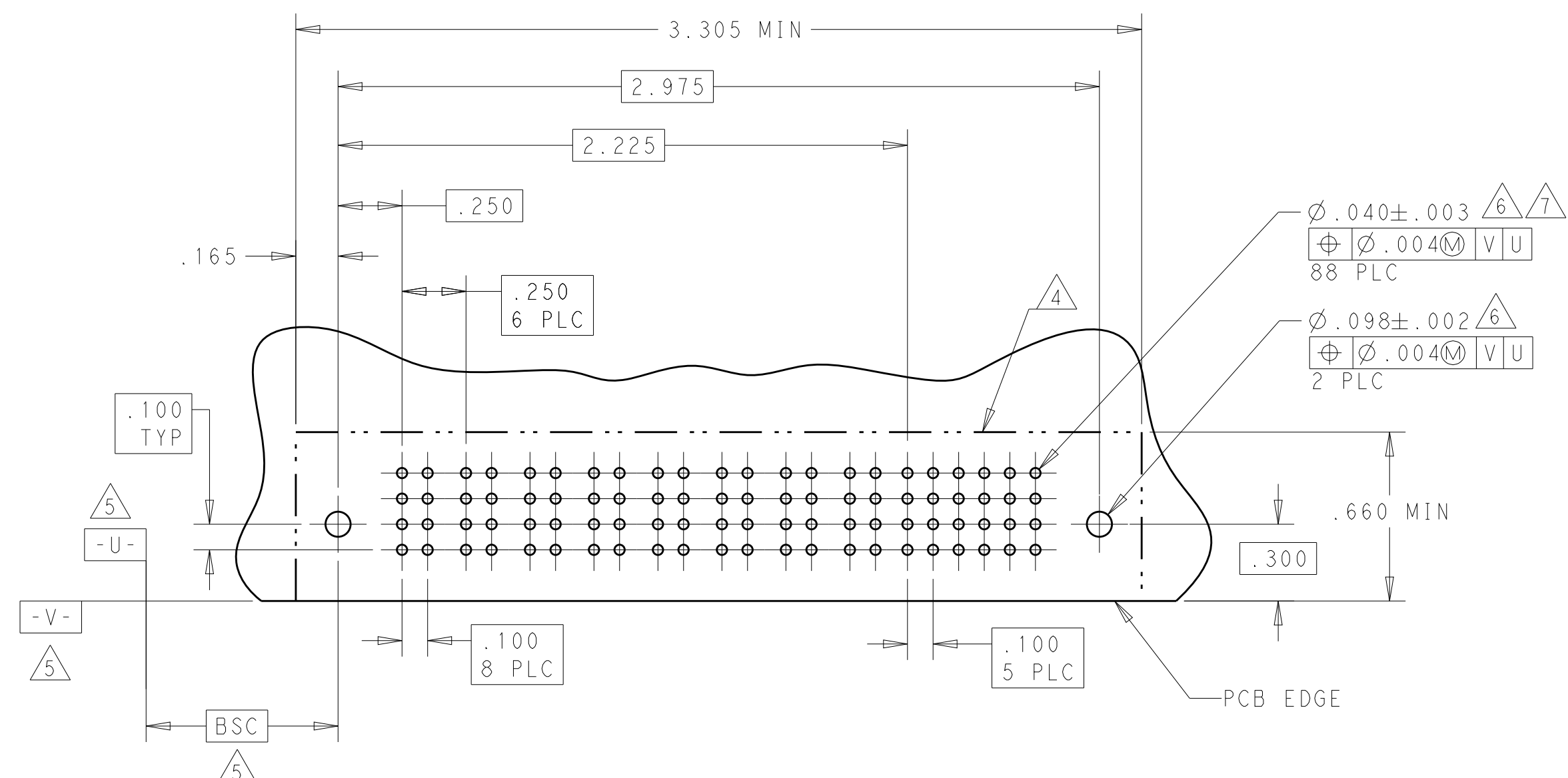
NAME: RIGHT ANGLE HEADER ASSEMBLY W/GUIDES MULTI-BEAM XL  
PRODUCT SPEC: 108-1973  
APPLICATION SPEC: 114-13038  
WEIGHT: .  
CUSTOMER DRAWING: .

SIZE: A1  
CAGE CODE: 6450132  
DRAWING NO: 100779  
SCALE: 1:1  
SHEET: 3 OF 11  
REV: E3

LOC	DIST	REV	DATE	BY	APPV
GP	00				
		DESCRIPTION			
		SEE SHEET 1			

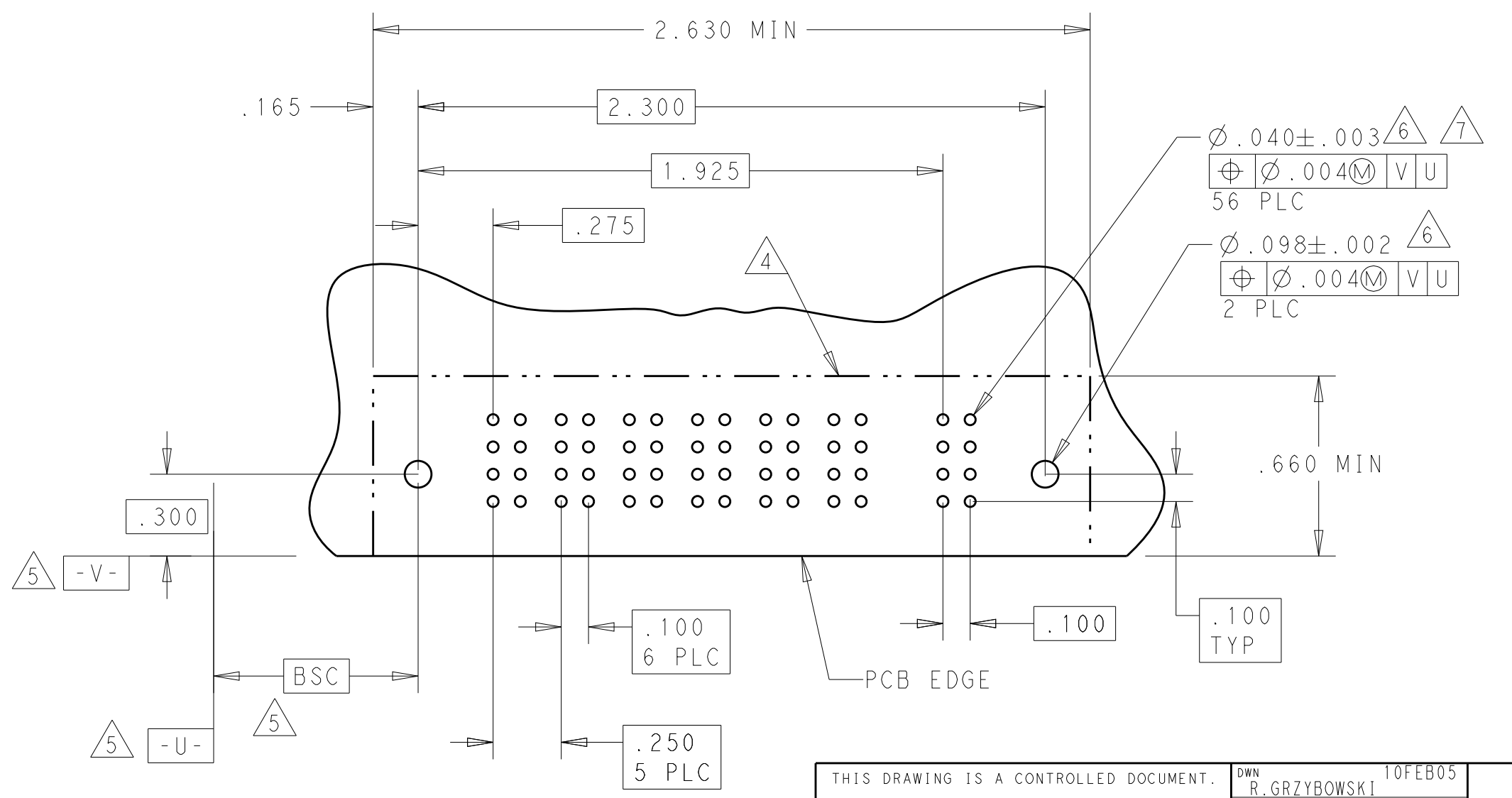
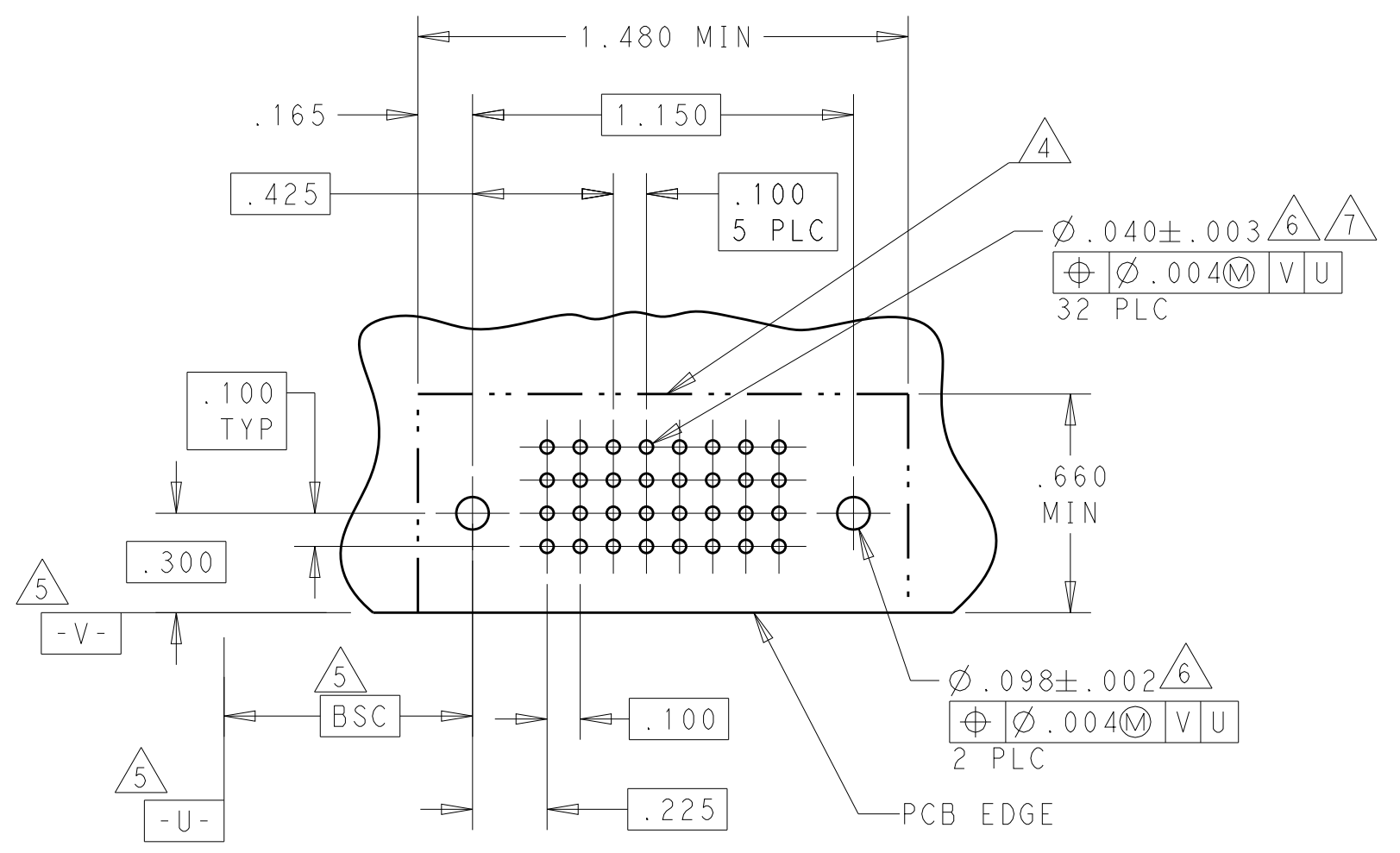
PART NUMBER	ROWS	POWER								SIGNAL					
		P1	P2	P3	P4	P5	P6	P7	P8	1	2	3	4	5	6
		6450132-5	D C B A	PM	PM	PM	PM	PM	PM	PM	PM	J	J	J	J
8P + 24S										K	K	K	K	F	F
										N	N	N	N	G	G
										S	S	S	S	H	H

PART NUMBER	ROWS	POWER							SIGNAL					
		P1	P2	P3	P4	P5	P6	P7	1	2	3	4	5	6
		6450132-7	D C B A	PM	PM	PM	PM	PM	PM	PM	J	J	E	J
7P + 24S									K	K	K	K	K	K
									N	N	N	N	N	N
									S	S	S	S	S	S



PART NUMBER	ROWS	POWER						SIGNAL						
		P1	1	2	3	4	5	6	1	2	3	4	5	6
		6450132-6	D C B A	PM	E	E	E	E	J	E	E			
1P + 24S			F	F	F	F	F	F	F					
			G	G	G	G	G	G	G					
			H	H	H	H	H	H	H					

PART NUMBER	ROWS	POWER						SIGNAL		
		P1	P2	P3	P4	P5	P6	1	2	3
		6450132-8	D C B A	PM	PM	PM	PM	PM	PM	E
6P + 12S								F	F	
								G	G	
								H	H	



THIS DRAWING IS A CONTROLLED DOCUMENT. DIMENSIONS: INCHES. TOLERANCES UNLESS OTHERWISE SPECIFIED: 0 PLC ±.01, 1 PLC ±.01, 2 PLC ±.01, 3 PLC ±.005, 4 PLC ±.002, ANGLES ±.002. MATERIAL: FINISH: THIS DRAWING IS A CONTROLLED DOCUMENT. DWG: R.GRZYBOWSKI, CHK: M.PERCHEKKE, APVD: M.PERCHEKKE. NAME: RIGHT ANGLE HEADER ASSEMBLY W/GUIDES MULTI-BEAM XL. PRODUCT SPEC: 108-1973. APPLICATION SPEC: 114-13038. WEIGHT: A100779. CUSTOMER DRAWING. SCALE: 1:1. SHEET 4 OF 11. REV: E3.

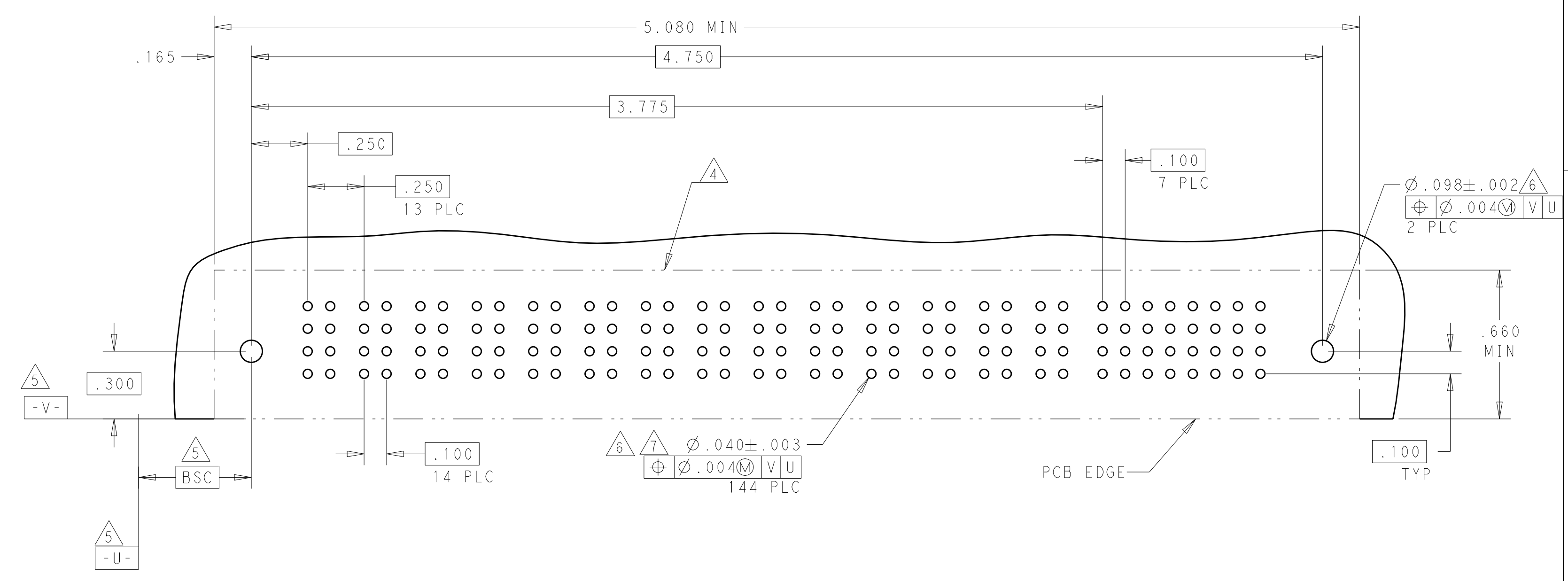
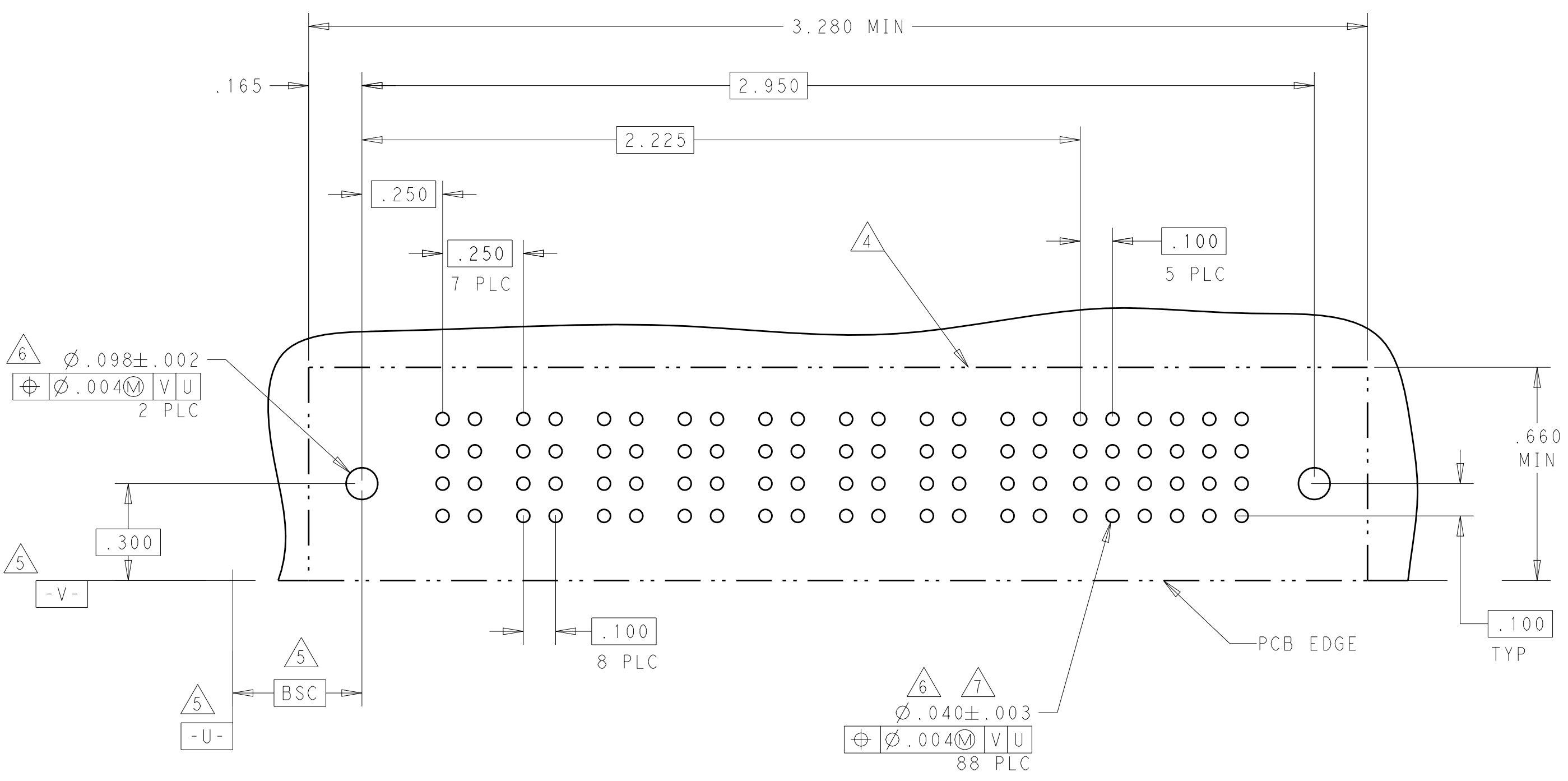
LOC	DIST	REV	DATE	BY	APPV
GP	00				

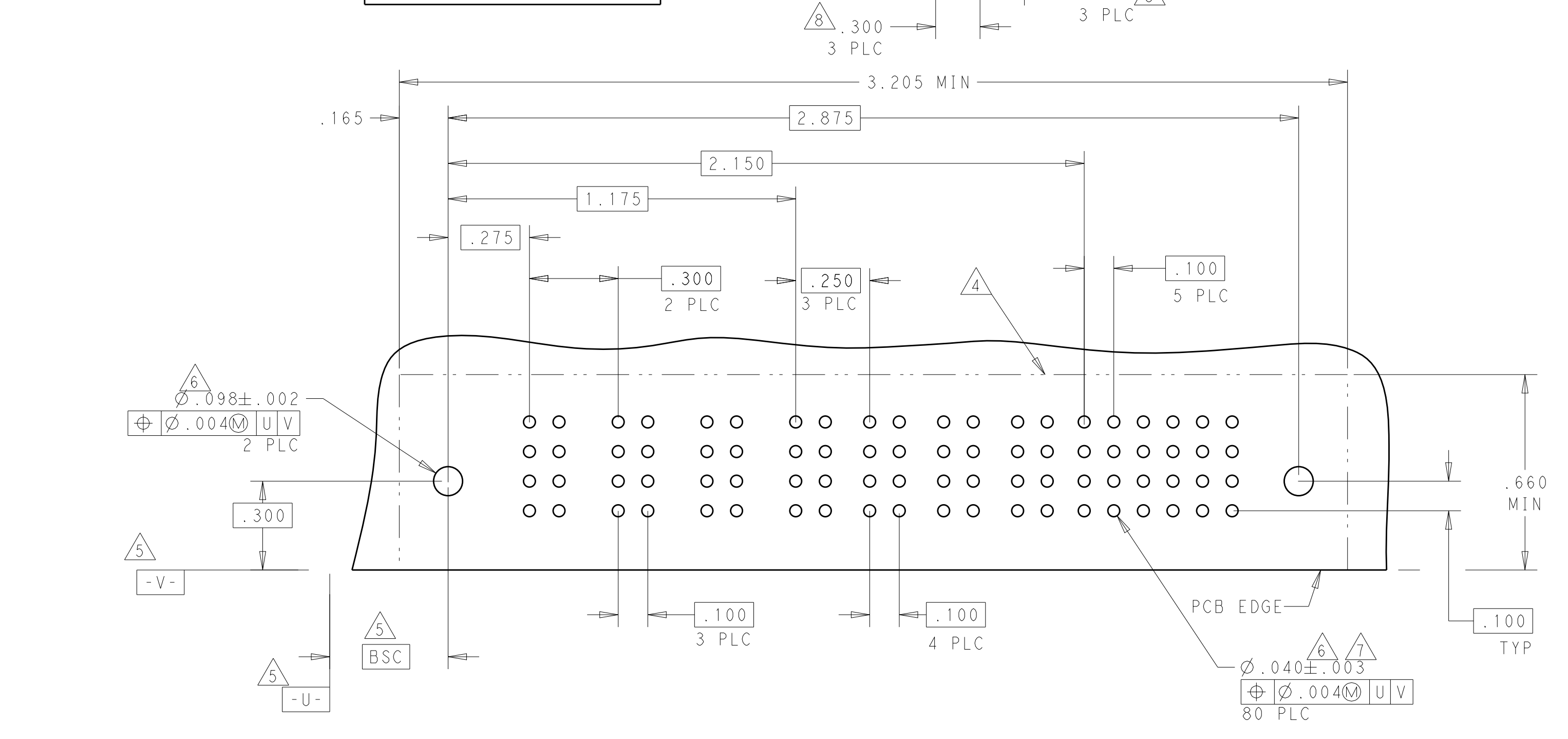
REVISIONS		DATE	BY	APPV
1	SEE SHEET 1			

PART NUMBER	ROWS	POWER								SIGNAL					
		P1	P2	P3	P4	P5	P6	P7	P8	1	2	3	4	5	6
1-6450132-2	D C B A	PM	PM	PM	PM	PM	PM	PM	PM	J	J	J	J	E	E
		PM	PM	PM	PM	PM	PM	PM	PM	K	K	K	K	F	F
		PM	PM	PM	PM	PM	PM	PM	PM	N	N	N	N	G	G
		PM	PM	PM	PM	PM	PM	PM	PM	S	S	S	S	H	H
8P + 24S															

PART NUMBER	ROWS	POWER														SIGNAL							
		P1	P2	P3	P4	P5	P6	P7	P8	P9	P10	P11	P12	P13	P14	1	2	3	4	5	6	7	8
1-6450132-5	D C B A	PM	PM	PM	PM	PM	PM	PM	PM	PM	PM	PM	PM	PM	PM	E	J	J	J	E	J	J	J
		PM	PM	PM	PM	PM	PM	PM	PM	PM	PM	PM	PM	PM	PM	F	K	K	K	F	K	K	K
		PM	PM	PM	PM	PM	PM	PM	PM	PM	PM	PM	PM	PM	PM	N	N	N	N	N	N	N	N
		PM	PM	PM	PM	PM	PM	PM	PM	PM	PM	PM	PM	PM	PM	S	S	S	S	S	S	S	S
14P + 32S																							



PART NUMBER	ROWS	POWER							SIGNAL						
		P1	P2	P3	P4	P5	P6	P7	1	2	3	4	5	6	
1-6450132-3	D C B A	PM	PM	PM	PM	PM	PM	PM	J	J	J	J	J	E	
		PM	PM	PM	PM	PM	PM	PM	K	K	K	F	K	F	
		PM	PM	PM	PM	PM	PM	PM	N	G	N	N	N	G	
		PM	PM	PM	PM	PM	PM	PM	S	H	S	S	S	H	
3ACP + 4P + 24S															



THIS DRAWING IS A CONTROLLED DOCUMENT.

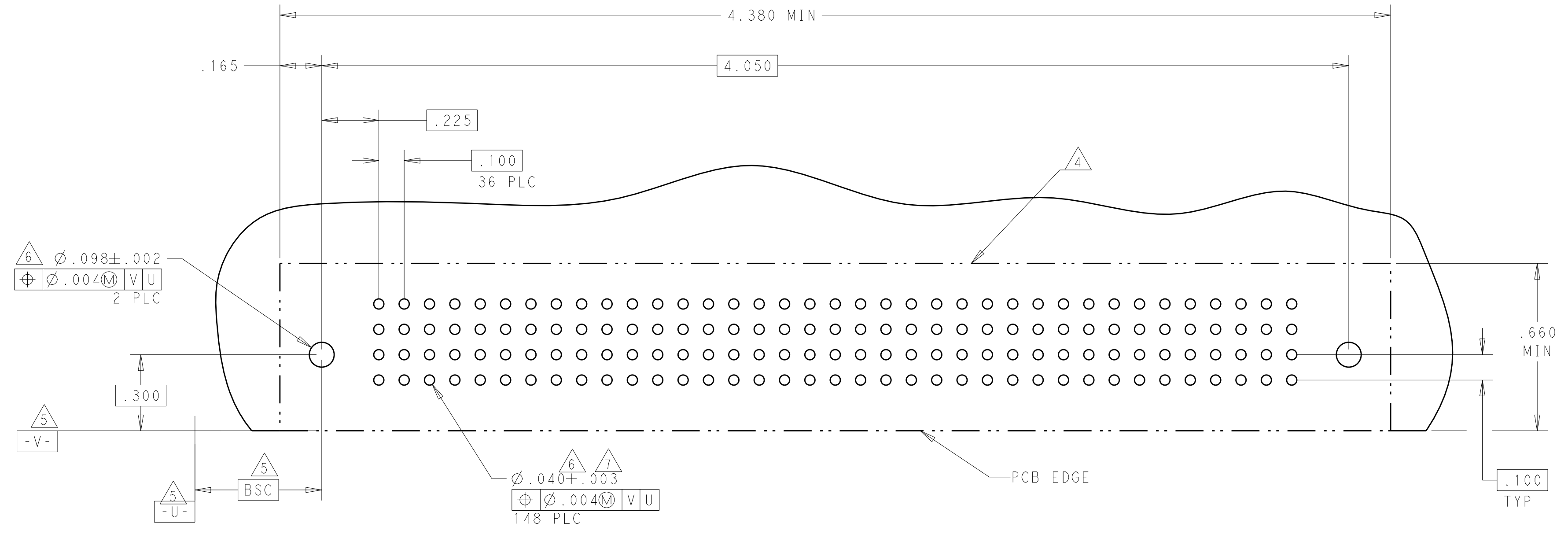
DIMENSIONS: INCHES	TOLERANCES UNLESS OTHERWISE SPECIFIED: 0 PLC ±. 1 PLC ±.01 2 PLC ±.01 3 PLC ±.005 4 PLC ±.0020 ANGLES ±.2°	OWN: R. GRZYBOWSKI CHK: M. PERCHERKE APVD: M. PERCHERKE	TOFEB05 TOFEB05		TE Connectivity
MATERIAL	FINISH	PRODUCT SPEC: 108-1973 APPLICATION SPEC: 114-13038 WEIGHT	NAME: RIGHT ANGLE HEADER ASSEMBLY W/GUIDES MULTI-BEAM XL SIZE: A100779 CAGE CODE: C=6450132		RESTRICTED TO

CUSTOMER DRAWING SCALE 1:1 SHEET 5 OF 11 REV E3

PART NUMBER	ROWS	SIGNAL																																					
		1	2	3	4	5	6	7	8	9	10	11	12	13	14	15	16	17	18	19	20	21	22	23	24	25	26	27	28	29	30	31	32	33	34	35	36	37	
1-6450132-7	D		J	J	J	J	J	J	J	J	J	J	J	J	J	J	J	J	J	J	J	J	J	J	J	J	J	J	J	J	J	J	J	J	J	J	J	J	J
	C		K	K	K	K	K	K	K	K	K	K	K	K	K	K	K	K	K	K	K	K	K	K	K	K	K	K	K	K	K	K	K	K	K	K	K	K	K
	B		N	N	N	N	N	N	N	N	N	N	N	N	N	N	N	N	N	N	N	N	N	N	N	N	N	N	N	N	N	N	N	N	N	N	N	N	N
A		S	S	S	S	S	S	S	S	S	S	S	S	S	S	S	S	S	S	S	S	S	S	S	S	S	S	S	S	S	S	S	S	S	S	S	S	S	S
148S		HD																																				HD	

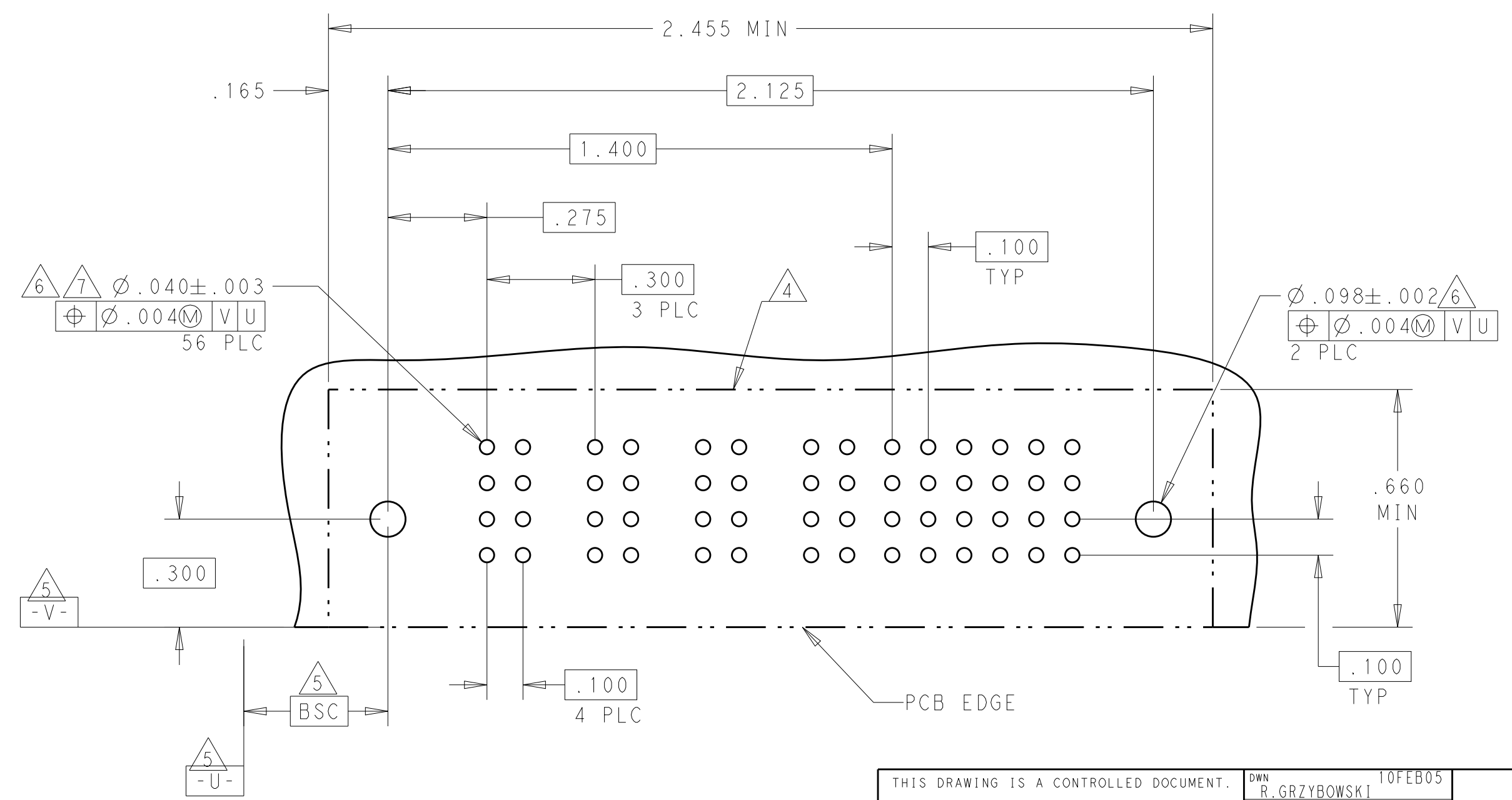
PART NUMBER	ROWS	SIGNAL																																							
		1	2	3	4	5	6	7	8	9	10	11	12	13	14	15	16	17	18	19	20	21	22	23	24	25	26	27	28	29	30	31	32	33	34	35	36	37			
2-6450132-6	D		J	J	J	J	J	J	J	J	J	J	J	J	J	J	J	J	J	J	J	J	J	J	J	J	J	J	J	J	J	J	J	J	J	J	J	J	J	J	
	C		K	K	K	K	K	K	K	K	K	K	K	K	K	K	K	K	K	K	K	K	K	K	K	K	K	K	K	K	K	K	K	K	K	K	K	K	K	K	K
	B		N	N	N	N	N	N	N	N	N	N	N	N	N	N	N	N	N	N	N	N	N	N	N	N	N	N	N	N	N	N	N	N	N	N	N	N	N	N	N
A		S	S	S	S	S	S	S	S	S	S	S	S	S	S	S	S	S	S	S	S	S	S	S	S	S	S	S	S	S	S	S	S	S	S	S	S	S	S	S	S
148S		HD																																				HD			

NO CONTACTS LOADED



1-6450132-7 AND 2-6450132-7 RECOMMENDED PCB LAYOUT

PART NUMBER	ROWS	POWER				SIGNAL					
		P1	P2	P3	P4	1	2	3	4	5	6
1-6450132-8	D					E	J	J	J	J	J
	C					K	K	K	K	K	K
	B					N	N	N	N	N	N
	A					S	S	S	S	S	H
4ACP + 24S		HD									HD



THIS DRAWING IS A CONTROLLED DOCUMENT.

DIMENSIONS: INCHES

TOLERANCES UNLESS OTHERWISE SPECIFIED:

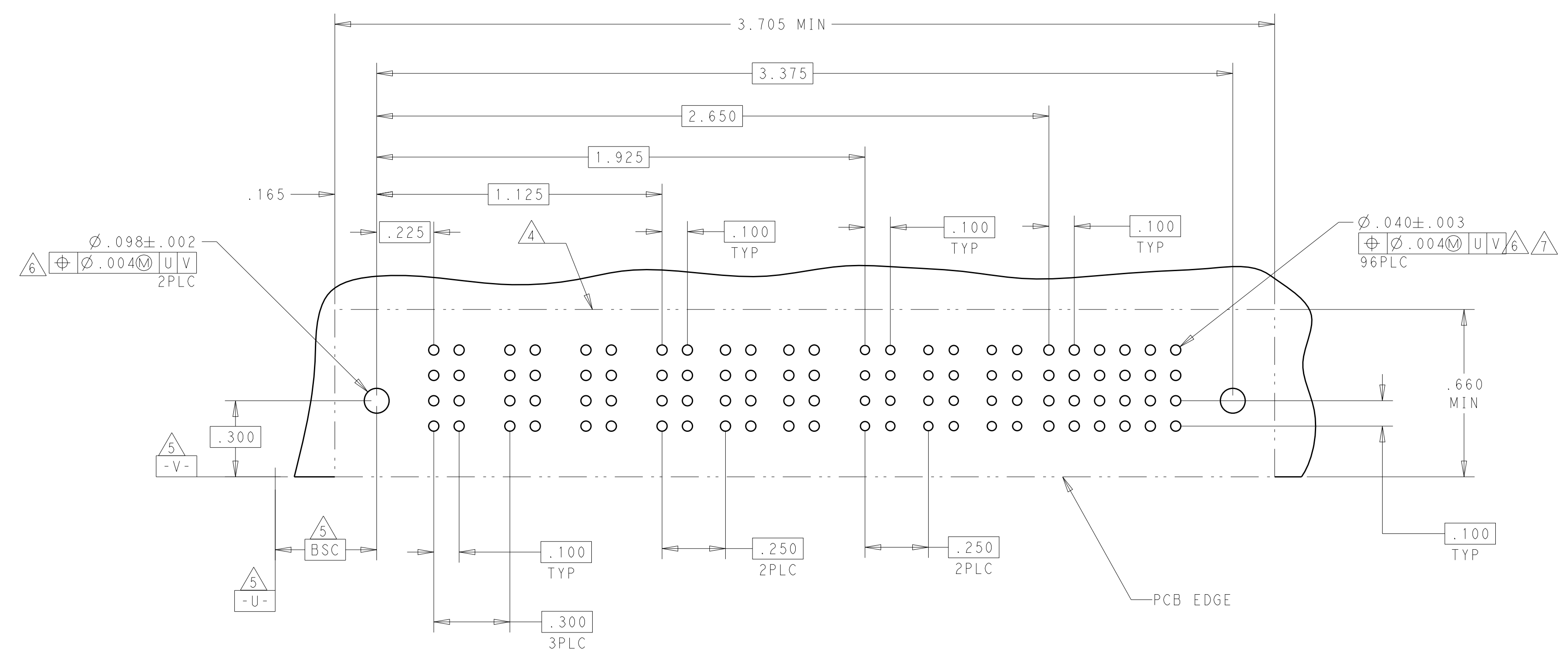
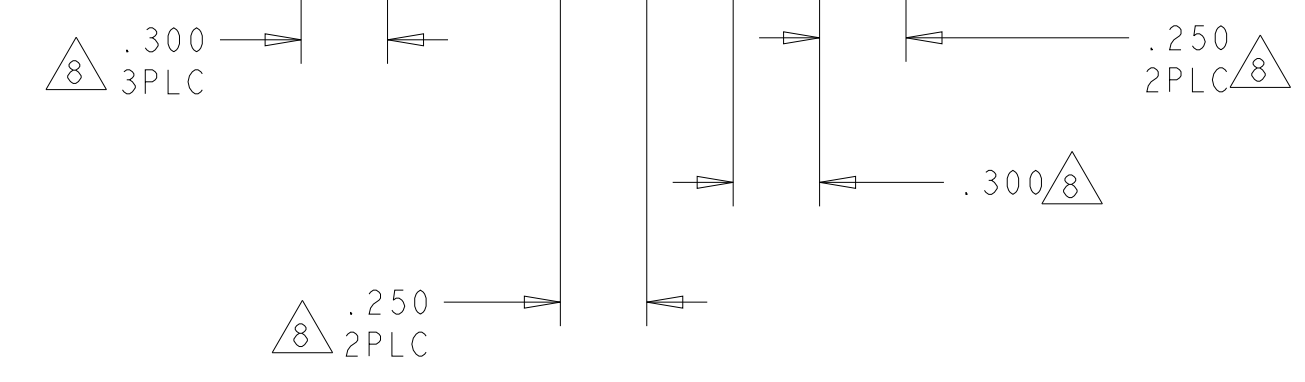
0 PLC	±
1 PLC	±.01
2 PLC	±.005
3 PLC	±.0020
4 PLC	±.0020
ANGLES	±.0020
FINISH	±.0020

MATERIAL: -

THIS DRAWING IS A CONTROLLED DOCUMENT. DWN: R. GRZYBOWSKI, 10FEB05, CHK: M. PERCHERKE, 10FEB05, APVD: M. PERCHERKE. NAME: RIGHT ANGLE HEADER ASSEMBLY W/GUIDES MULTI-BEAM XL. PRODUCT SPEC: 108-1973. APPLICATION SPEC: 114-13038. WEIGHT: -. SIZE: 114-13038. CAGE CODE: A100779. DRAWING NO: C=6450132. RESTRICTED TO: -. SCALE: 1:1. SHEET: 6 OF 11. REV: E3.

LOC	DIST	REVISIONS			
P	LTN	DESCRIPTION	DATE	DMN	APVD
-	-	SEE SHEET 1	-	-	-

PART NUMBER	ROWS	POWER									SIGNAL					
		P1	P2	P3	P4	P5	P6	P7	P8	P9	1	2	3	4	5	6
1-6450132-9	D	PM	PM	PM	PM	PM	PM	PM	PM	PM	J	E	J	J	J	J
	C										K	K	K	K	K	K
	B										N	N	N	N	N	N
	A										S	S	S	S	S	S
3ACP + 6P + 24S		HD		HD		HD		HD		HD		HD		HD		



THIS DRAWING IS A CONTROLLED DOCUMENT.

DIMENSIONS: INCHES	TOLERANCES UNLESS OTHERWISE SPECIFIED: 0 PLC ±. 1 PLC ±.01 2 PLC ±.01 3 PLC ±.005 4 PLC ±.0020 ANGLES ±.7°	FINISH	APVD: M. PERCHERKE	NAME: M. PERCHERKE	PRODUCT SPEC: 108-1973	APPLICATION SPEC: 114-13038	WEIGHT: -	SCALE: 1:1	SHEET: 7 OF 11	REV: E3
-----------------------	--	--------	--------------------	--------------------	------------------------	-----------------------------	-----------	------------	----------------	---------

STC TE Connectivity

RIGHT ANGLE HEADER ASSEMBLY W/GUIDES MULTI-BEAM XL

SIZE: A1 CAGE CODE: 6450132

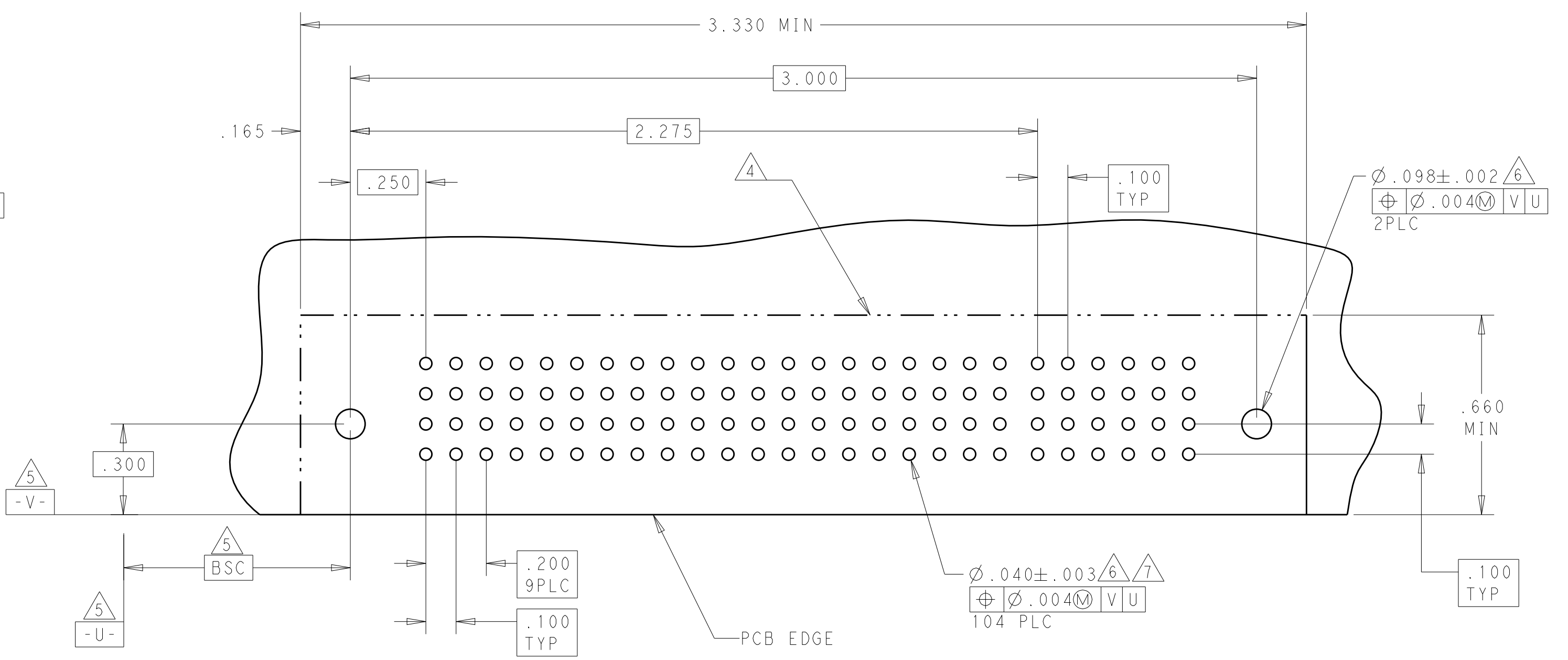
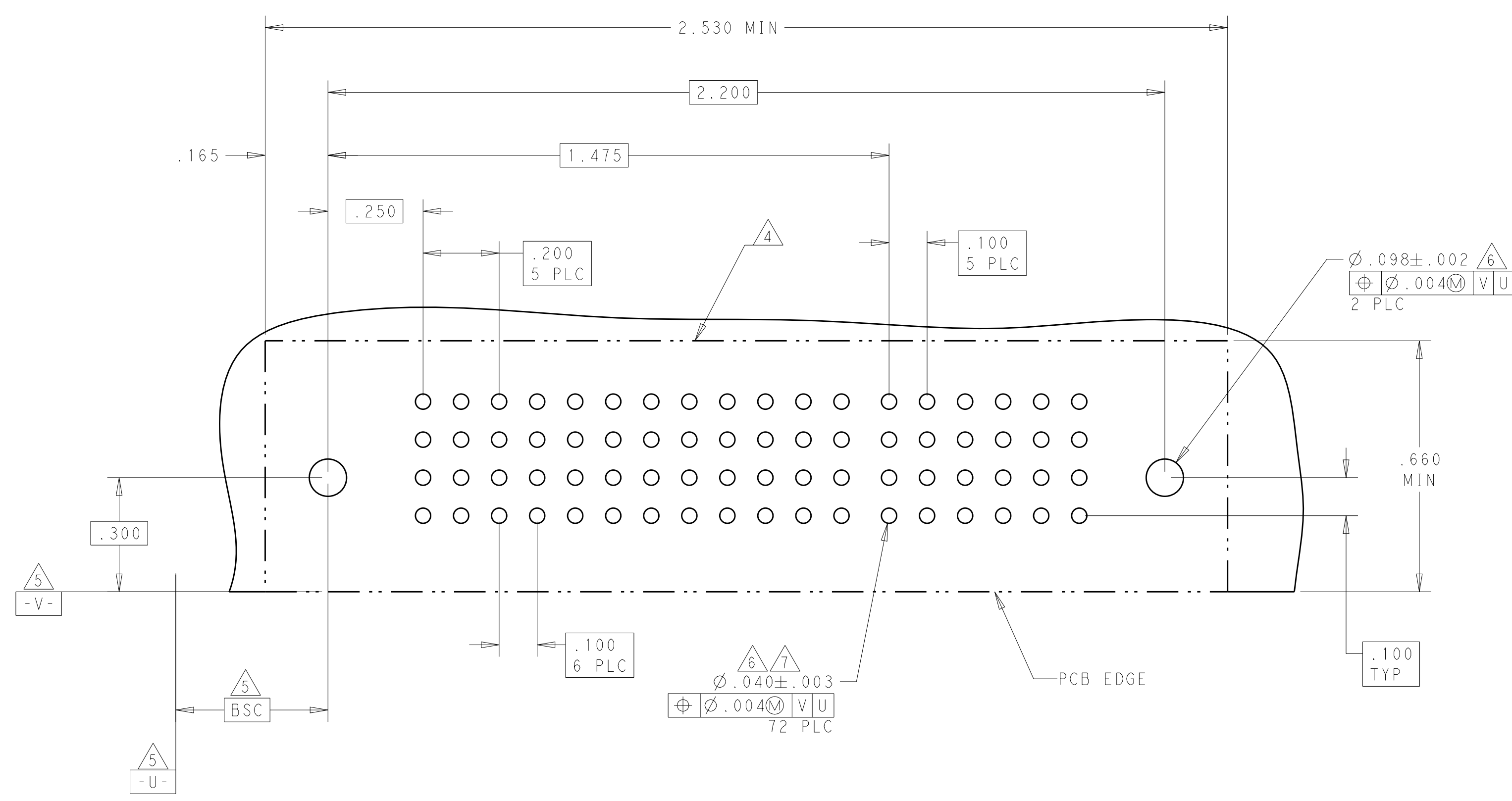
CUSTOMER DRAWING

LOC	DIST	REVISIONS			
P	LTN	DESCRIPTION	DATE	DWN	APVD
-	-	SEE SHEET 1	-	-	-

PART NUMBER	ROWS	POWER						SIGNAL					
		P1	P2	P3	P4	P5	P6	1	2	3	4	5	6
2-6450132-0	D C B A	PM	PM	PM	PM	PM	PM	J	J	J	J	J	J
								K	K	K	K	K	K
								N	N	N	N	N	N
								H	H	H	H	H	H
6P + 24S		HD											

PART NUMBER	ROWS	POWER										SIGNAL					
		P1	P2	P3	P4	P5	P6	P7	P8	P9	P10	1	2	3	4	5	6
2-6450132-1	D C B A	PM	PM	PM	PM	PM	PM	PM	PM	PM	PM	J	E	J	J	J	E
												K	F	K	K	K	F
												N	N	N	N	N	G
												S	S	S	S	S	H
10P + 24S		HD															

PART NUMBER	ROWS	POWER										SIGNAL					
		P1	P2	P3	P4	P5	P6	P7	P8	P9	P10	1	2	3	4	5	6
2-6450132-3	D C B A	PM	PM	PM	PM	PM	PM	PM	PM	PM	PM	J	E	J	J	J	J
												K	F	K	K	K	K
												N	N	N	N	N	N
												S	S	S	S	S	S
10P + 24S		HD															



2-6450132-1 AND 2-6450132-3 PCB LAYOUT

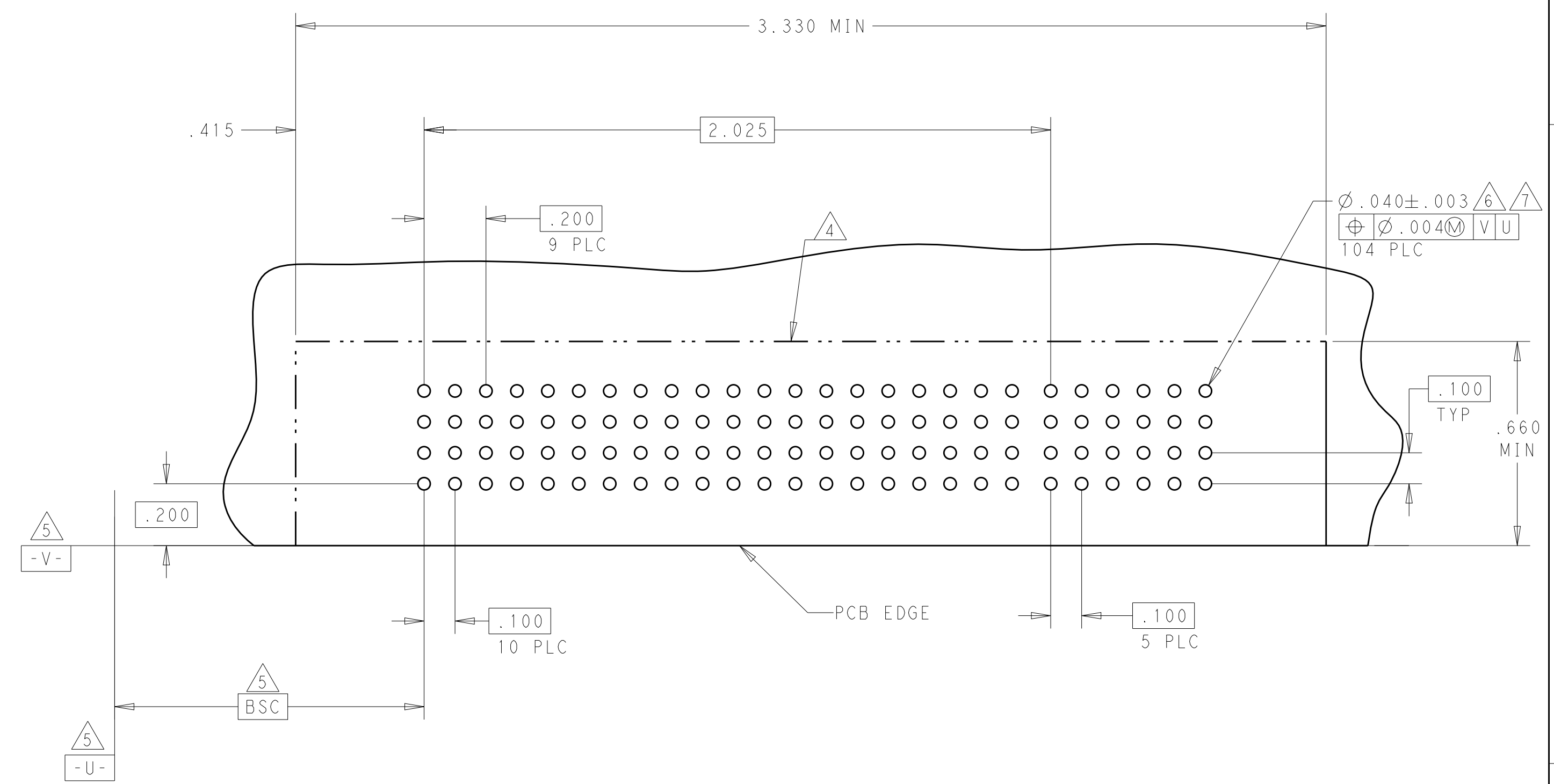
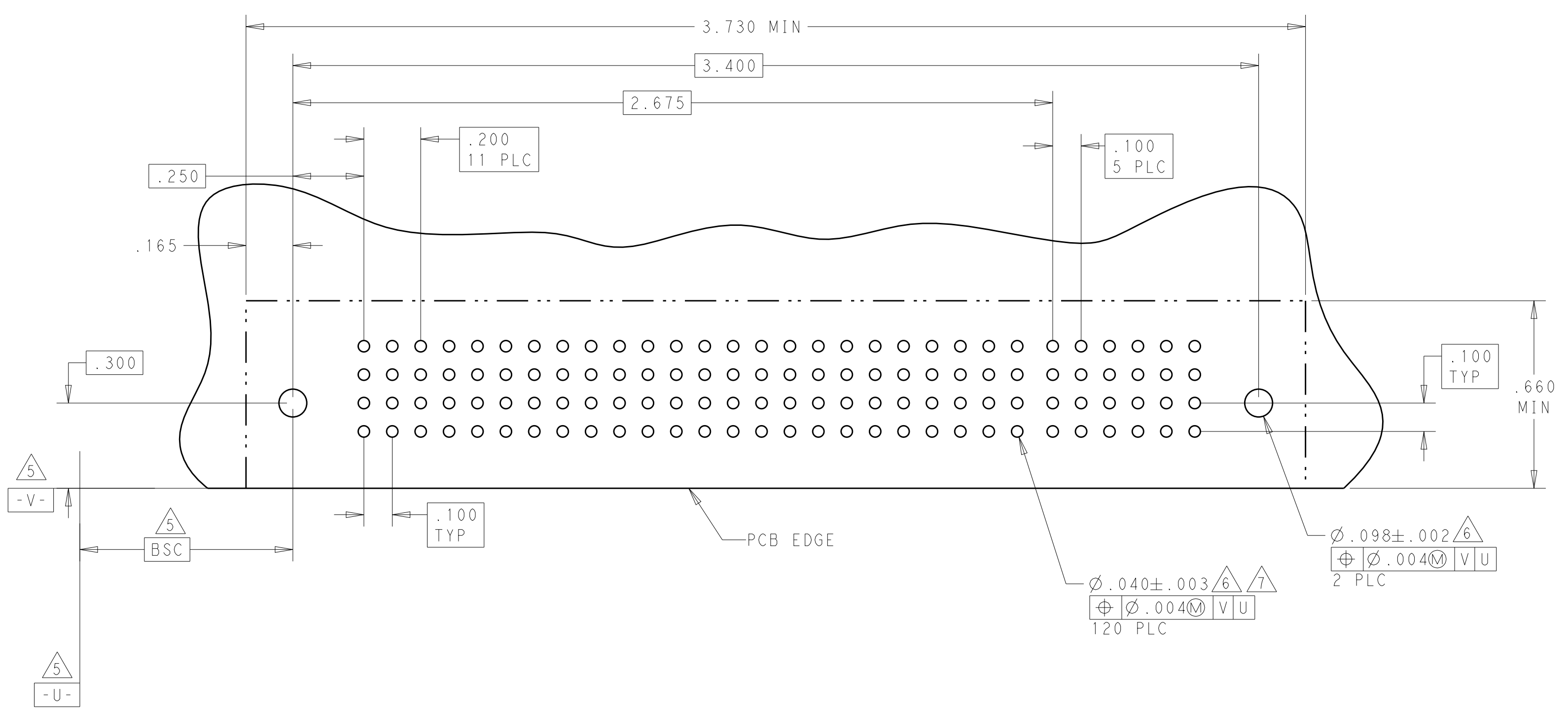
THIS DRAWING IS A CONTROLLED DOCUMENT.		DWN: R. GRZYBOWSKI CHK: M. PERCHERKE	10FEB05 10FEB05	TE Connectivity
DIMENSIONS: INCHES		APVD: M. PERCHERKE	NAME: RIGHT ANGLE HEADER ASSEMBLY W/GUIDES MULTI-BEAM XL	
DIMENSIONS: INCHES 0 PLC ± 1 PLC ±.01 2 PLC ±.01 3 PLC ±.005 4 PLC ±.002 ANGLES ±.020 FINISH		TOLERANCES UNLESS OTHERWISE SPECIFIED: PRODUCT SPEC: 108-1973 APPLICATION SPEC: 114-13038 WEIGHT:		SIZE: A1 CAGE CODE: 00779 DRAWING NO: C=6450132 CUSTOMER DRAWING
MATERIAL:		SCALE: 1:1		SHEET: 8 OF 11 REV: E3



LOC	DIST	REVISIONS			
P	LTN	DESCRIPTION	DATE	DMN	APVD
-	-	SEE SHEET 1	-	-	-

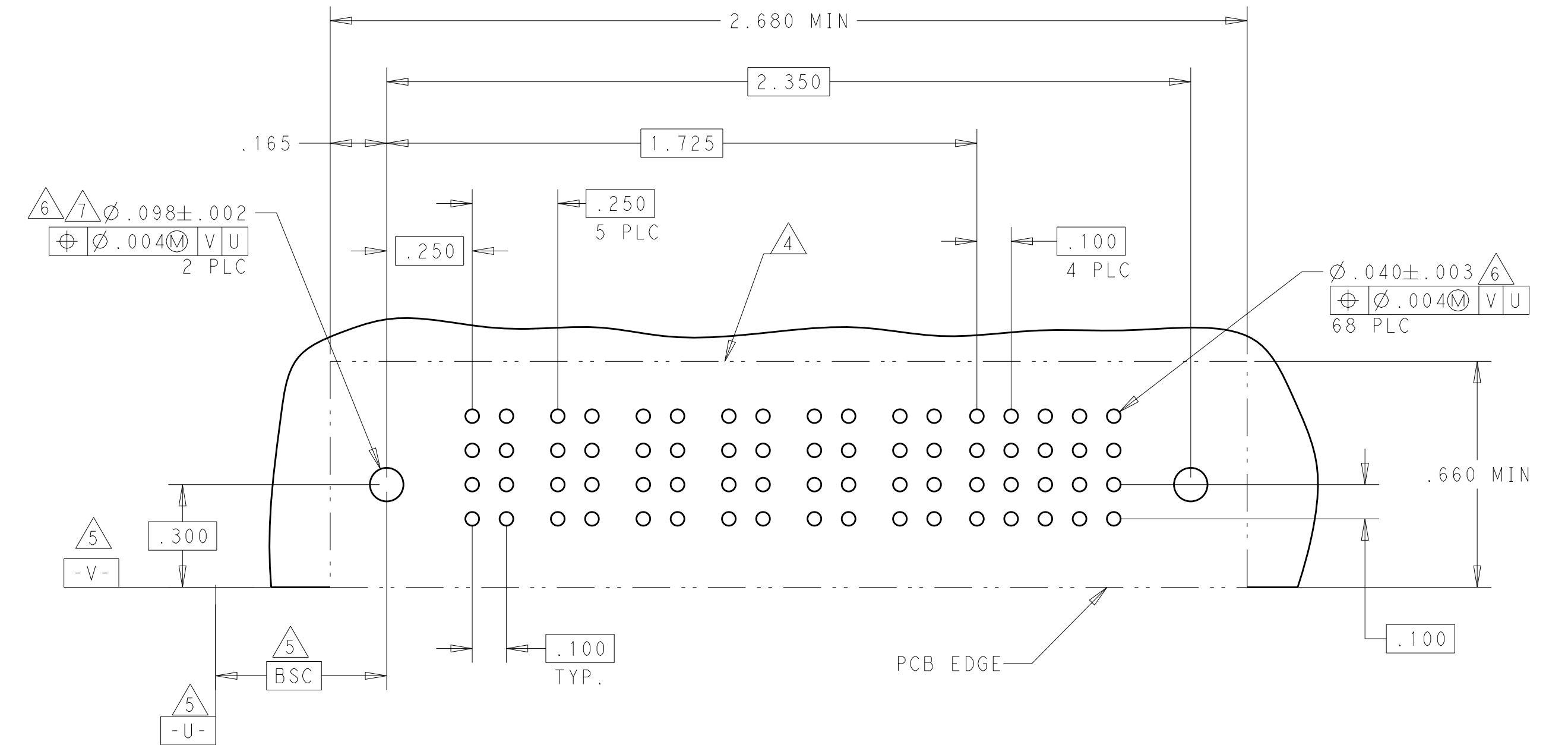
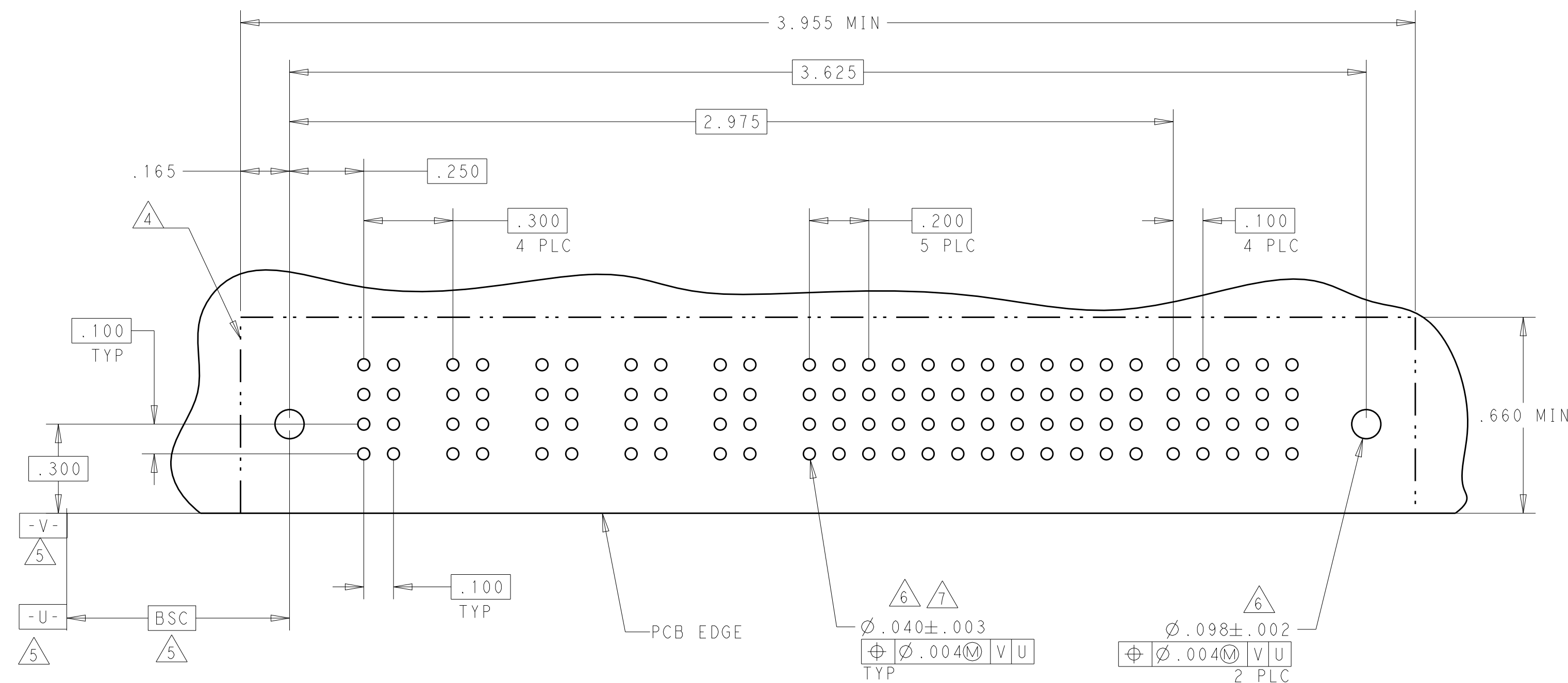
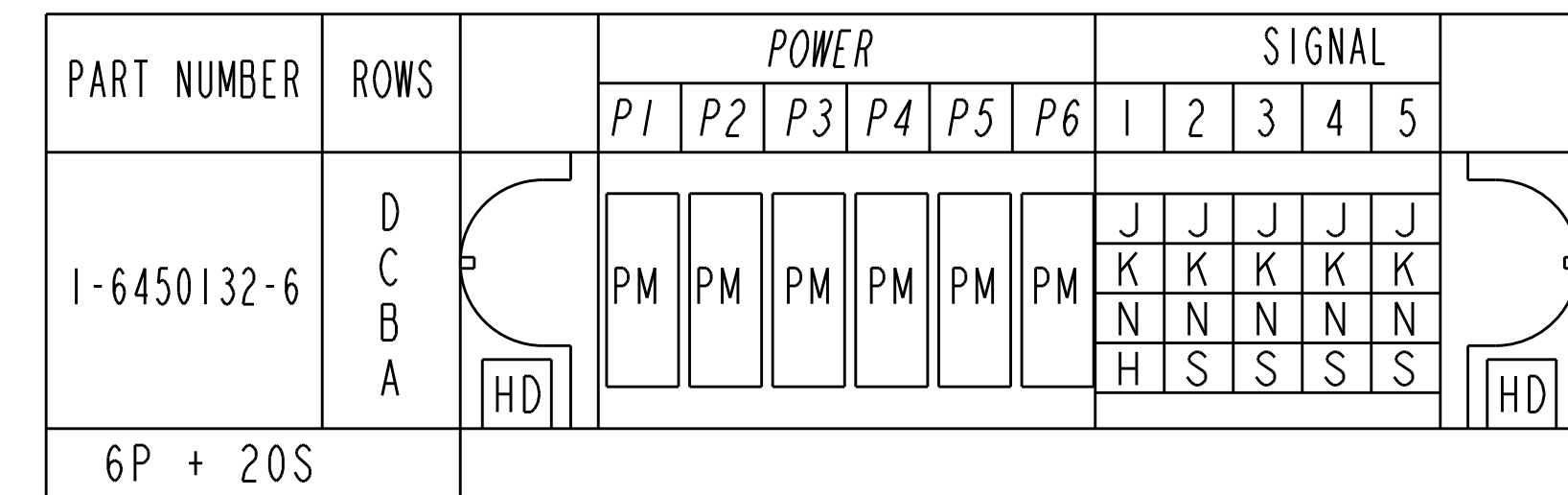
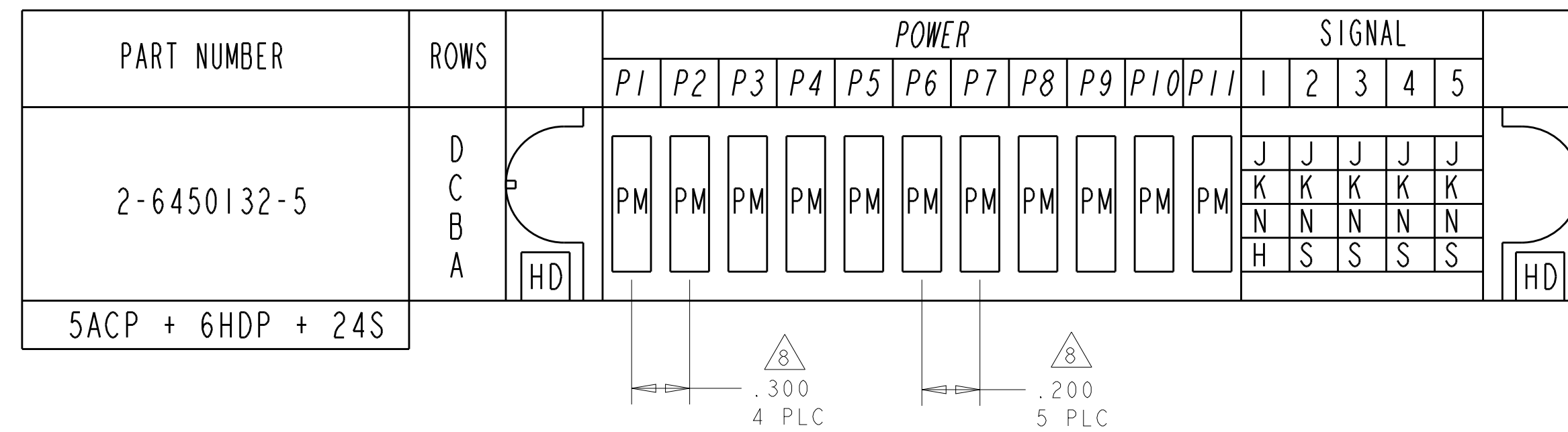
PART NUMBER	ROWS	POWER												SIGNAL					
		P1	P2	P3	P4	P5	P6	P7	P8	P9	P10	P11	P12	1	2	3	4	5	6
		PM	PM	PM	PM	PM	PM	PM	PM	PM	PM	PM	PM	E	J	J	J	J	E
2-6450132-2	D C B A	PM	PM	PM	PM	PM	PM	PM	PM	PM	PM	PM	K	K	K	K	K	K	
12P + 24S		PM	PM	PM	PM	PM	PM	PM	PM	PM	PM	PM	N	N	N	N	N	N	
		PM	PM	PM	PM	PM	PM	PM	PM	PM	PM	PM	S	S	S	S	S	S	

PART NUMBER	ROWS	POWER										SIGNAL					
		P1	P2	P3	P4	P5	P6	P7	P8	P9	P10	1	2	3	4	5	6
		PM	PM	PM	PM	PM	PM	PM	PM	PM	PM	PM	J	E	J	J	J
2-6450132-4	D C B A	PM	PM	PM	PM	PM	PM	PM	PM	PM	PM	K	F	K	K	K	F
10P + 24S		PM	PM	PM	PM	PM	PM	PM	PM	PM	PM	N	N	N	N	N	G
		PM	PM	PM	PM	PM	PM	PM	PM	PM	PM	S	S	S	S	S	H



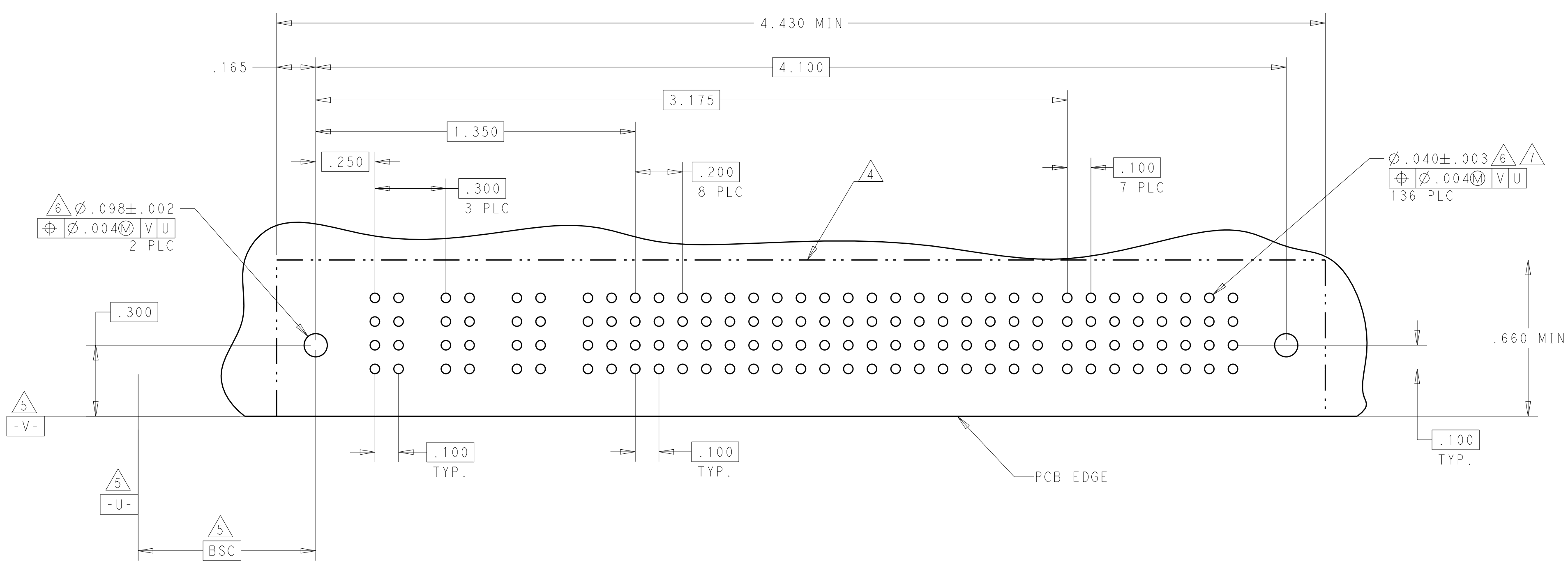
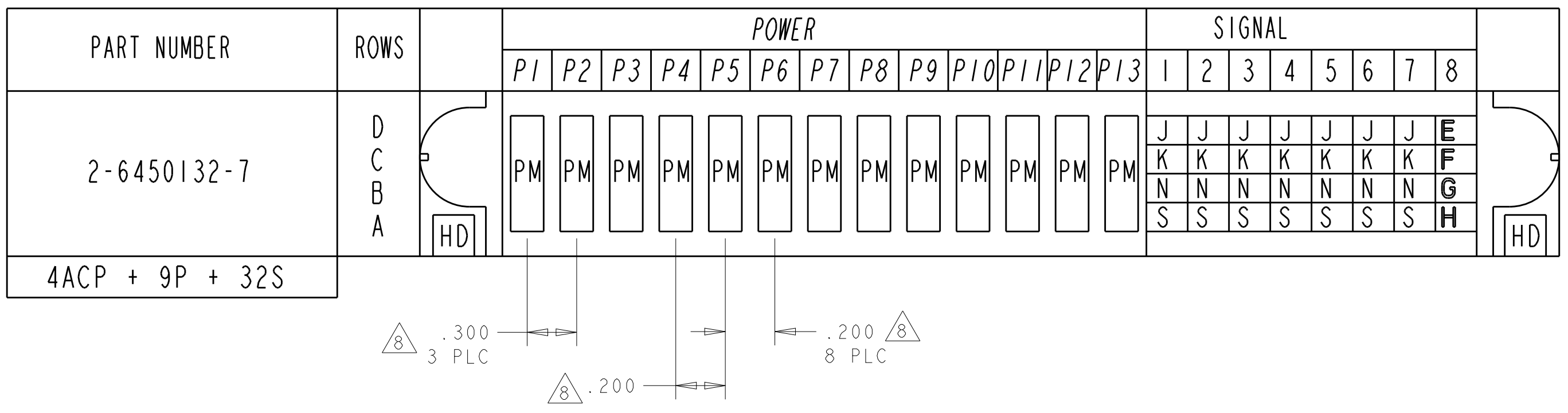
THIS DRAWING IS A CONTROLLED DOCUMENT.		DMN: R. GRZYBOWSKI	TOFEB05	<b>STE</b> TE Connectivity
DIMENSIONS: INCHES		CHK: M. PERCHERKE	TOFEB05	
TOLERANCES UNLESS OTHERWISE SPECIFIED:		APVD: M. PERCHERKE	NAME: RIGHT ANGLE HEADER ASSEMBLY W/GUIDES MULTI-BEAM XL	RESTRICTED TO
0 PLC ±.01		PRODUCT SPEC: 108-1973	SIZE: 114-13038	
1 PLC ±.01		APPLICATION SPEC: 114-13038	WEIGHT: -	SCALE: 1:1
2 PLC ±.01		APPLIC: 114-13038	REVISION: E3	
3 PLC ±.01		APPLIC: 114-13038	APPLIC: 114-13038	SHEET 9 OF 11
4 PLC ±.0020		APPLIC: 114-13038	APPLIC: 114-13038	
ANGLES: ±.0020		APPLIC: 114-13038	APPLIC: 114-13038	REV: E3
FINISH: -		APPLIC: 114-13038	APPLIC: 114-13038	
MATERIAL: -		APPLIC: 114-13038	APPLIC: 114-13038	CAGE CODE: A100779
FINISH: -		APPLIC: 114-13038	APPLIC: 114-13038	
CUSTOMER DRAWING		DRAWING NO: 6450132		SHEET 9 OF 11
CUSTOMER DRAWING		DRAWING NO: 6450132		

LOC	DIST	REVISIONS			
P	LTN	DESCRIPTION	DATE	DMN	APVD
-	-	SEE SHEET 1	-	-	-



THIS DRAWING IS A CONTROLLED DOCUMENT.		DMN: R. GRZYBOWSKI	TOFEB05	TE Connectivity
DIMENSIONS: INCHES		CHK: M. PERCHERKE	TOFEB05	
TOLERANCES UNLESS OTHERWISE SPECIFIED:		APVD: M. PERCHERKE	NAME: RIGHT ANGLE HEADER ASSEMBLY W/GUIDES MULTI-BEAM XL	SIZE: CAGE CODE: DRAWING NO: RESTRICTED TO A100779C=6450132
0 PLC ± 1 PLC ±.01 2 PLC ±.01 3 PLC ±.005 4 PLC ±.0020 ANGLES ±.2°		PRODUCT SPEC: 108-1973	APPLICATION SPEC: 114-13038	
MATERIAL:	FINISH:	WEIGHT:	CUSTOMER DRAWING	SCALE: 1:1 SHEET 10 OF 11 REV: E3

LOC		DIST		REVISIONS			
GP	00	P	LTH	DESCRIPTION	DATE	DWN	APVD
		-		SEE SHEET 1			



THIS DRAWING IS A CONTROLLED DOCUMENT.

DIMENSIONS: INCHES	TOLERANCES UNLESS OTHERWISE SPECIFIED: 0 PLC ±. 1 PLC ±.01 2 PLC ±.01 3 PLC ±.005 4 PLC ±.0020 ANGLES ±.7°	DWN: R. GRZYBOWSKI CHK: M. PERCHERKE APVD: M. PERCHERKE	10FEB05 10FEB05		TE Connectivity
		NAME: RIGHT ANGLE HEADER ASSEMBLY W/GUIDES MULTI-BEAM XL	PRODUCT SPEC: 108-1973		APPLICATION SPEC: 114-13038
MATERIAL: -	FINISH: -	WEIGHT: -	SIZE: 114-13038	CAGE CODE: A100779	DRAWING NO: C=6450132
CUSTOMER DRAWING			SCALE: 1:1	SHEET: 11	OF: 11
			REV: E	3	

Компания «Океан Электроники» предлагает заключение долгосрочных отношений при поставках импортных электронных компонентов на взаимовыгодных условиях!

Наши преимущества:

- Поставка оригинальных импортных электронных компонентов напрямую с производств Америки, Европы и Азии, а так же с крупнейших складов мира;
- Широкая линейка поставок активных и пассивных импортных электронных компонентов (более 30 млн. наименований);
- Поставка сложных, дефицитных, либо снятых с производства позиций;
- Оперативные сроки поставки под заказ (от 5 рабочих дней);
- Экспресс доставка в любую точку России;
- Помощь Конструкторского Отдела и консультации квалифицированных инженеров;
- Техническая поддержка проекта, помощь в подборе аналогов, поставка прототипов;
- Поставка электронных компонентов под контролем ВП;
- Система менеджмента качества сертифицирована по Международному стандарту ISO 9001;
- При необходимости вся продукция военного и аэрокосмического назначения проходит испытания и сертификацию в лаборатории (по согласованию с заказчиком);
- Поставка специализированных компонентов военного и аэрокосмического уровня качества (Xilinx, Altera, Analog Devices, Intersil, Interpoint, Microsemi, Actel, Aeroflex, Peregrine, VPT, Syfer, Eurofarad, Texas Instruments, MS Kennedy, Miteq, Cobham, E2V, MA-COM, Hittite, Mini-Circuits, General Dynamics и др.);

Компания «Океан Электроники» является официальным дистрибьютором и эксклюзивным представителем в России одного из крупнейших производителей разъемов военного и аэрокосмического назначения «JONHON», а так же официальным дистрибьютором и эксклюзивным представителем в России производителя высокотехнологичных и надежных решений для передачи СВЧ сигналов «FORSTAR».



## JONHON

«JONHON» (основан в 1970 г.)

Разъемы специального, военного и аэрокосмического назначения:

(Применяются в военной, авиационной, аэрокосмической, морской, железнодорожной, горно- и нефтедобывающей отраслях промышленности)

«FORSTAR» (основан в 1998 г.)

ВЧ соединители, коаксиальные кабели,  
кабельные сборки и микроволновые компоненты:

(Применяются в телекоммуникациях гражданского и специального назначения, в средствах связи, РЛС, а так же военной, авиационной и аэрокосмической отраслях промышленности).



Телефон: 8 (812) 309-75-97 (многоканальный)

Факс: 8 (812) 320-03-32

Электронная почта: [ocean@oceanchips.ru](mailto:ocean@oceanchips.ru)

Web: <http://oceanchips.ru/>

Адрес: 198099, г. Санкт-Петербург, ул. Калинина, д. 2, корп. 4, лит. А