

# NB4N840MMNEVB

## Evaluation Board User's Manual for NB4N840M



ON Semiconductor®

<http://onsemi.com>

### Eval Board User's Manual

#### Description

The NB4N840M Evaluation Board was designed to provide a flexible and convenient platform to quickly evaluate, characterize and verify the performance and operation of the NB4N840M dual 2 x 2 Crosspoint Switch. This user's manual provides detailed information on the board's contents, layout and use. The manual should be used in conjunction with the NB4N840M data sheet which contains full technical details on device specifications and operation.

The NB4N840M is a high-bandwidth fully differential dual 2 x 2 crosspoint switch with CML inputs/outputs that is suitable for applications such as SDH/SONET DWDM and high speed switching. Fully differential design techniques are used to minimize jitter accumulation, crosstalk, and signal skew, which make this device ideal for loop-through and protection channel switching

applications. Each 2 x 2 crosspoint switch can fan-out and/or multiplex up to 3.2 Gb/s data and 2.7 GHz clock signals.

Internally terminated differential CML inputs accept AC-coupled LVPECL (Positive ECL) or direct coupled CML signals. By providing internal 50  $\Omega$  input and output termination resistor, the need for external components is eliminated and interface reflections are minimized. Differential 16 mA CML outputs provide matching internal 50  $\Omega$  terminations, and 400 mV output swings when externally terminated, 50  $\Omega$  to  $V_{CC}$ .

Single-ended LVCMOS/LVTTL SEL inputs control the routing of the signals through the crosspoint switch which makes this device configurable as 1:2 fan-out, repeater or 2 x 2 crosspoint switch. The device is housed in a low profile 5 x 5 mm 32-pin QFN package.

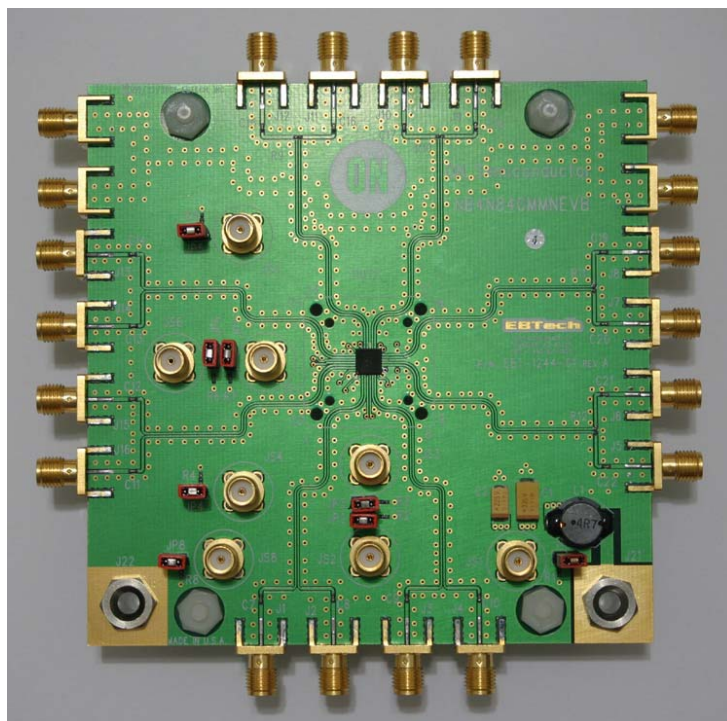


Figure 1. NB4N840M Evaluation Board

# NB4N840MMNEVB

## Board Features

- Fully assembled evaluation board
- Accommodates the electrical characterization of the NB4N840M in the QFN32 package
- Equal length input and output data lines to minimize skew
- Selectable jumpers
- Single + 3.3 V supply

## This Evaluation Board Manual Contains

- Information on the NB4N840M Evaluation Board
- Appropriate Lab Setup Details
- Evaluation Board Layout
- Bill of Materials

## Setup for Measurements

### Step 1: Basic Equipment

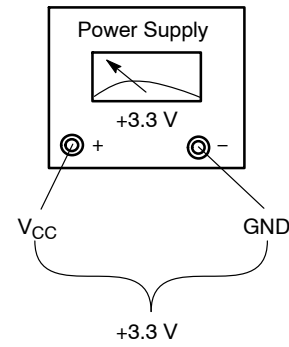
- Signal Generator
- Oscilloscope
- Power Supply
- Voltmeter
- Matched High-Speed Cables with SMA Connectors

### Step 2: Power Supply Connections

+ 3.3 V must be provided to the board for  $V_{CC}$ .

**Table 1. Power Supply Connections**

Supply	Value	Connector
$V_{CC}$	+ 3.3 V	J21
GND	0 V	J22



**Figure 2. Power Supply Connections**

### Step 3: Input Connections

DA<sub>n</sub> and DB<sub>n</sub> require CML drive levels and provide internal 50 Ω to  $V_{CC}$  termination resistors to eliminate external components and minimize reflections. Ensure that the CML devices driving these inputs are not redundantly terminated.

**Table 2. Input Connectors**

Inputs	Board Connector
DA0	J13
DA0	J14
DA1	J15
DA1	J16
DB0	J3
DB0	J4
DB1	J1
DB1	J2

### Step 4: Control and Select Pins

Jumpers JP1, JP2, JP5, and JP6 select the input signals for channel A and B outputs. Jumpers JP3, JP4, JP7, and JP8 enable the output drivers for channel A and B (refer to Table 3 for output routing).

**Table 3. Output Routing**

ROUTING CONTROLS		OUTPUT CONTROLS		OUTPUT SIGNALS	
SELA0 / SELB0 JP6 / JP2	SELA1 / SELB1 JP5 / JP1	ENA0 / ENA1 JP7 / JP8	ENB0 / ENB1 JP3 / JP4	Signal at QA0 / QB0	Signal at QA1 / QB1
L	L	H	H	DA0 / DB0	DA0 / DB0
L	H	H	H	DA0 / DB0	DA1 / DB1
H	L	H	H	DA1 / DB1	DA0 / DB0
H	H	H	H	DA1 / DB1	DA1 / DB1
X	X	L	L	Power Down	Power Down

# NB4N840MMNEVB

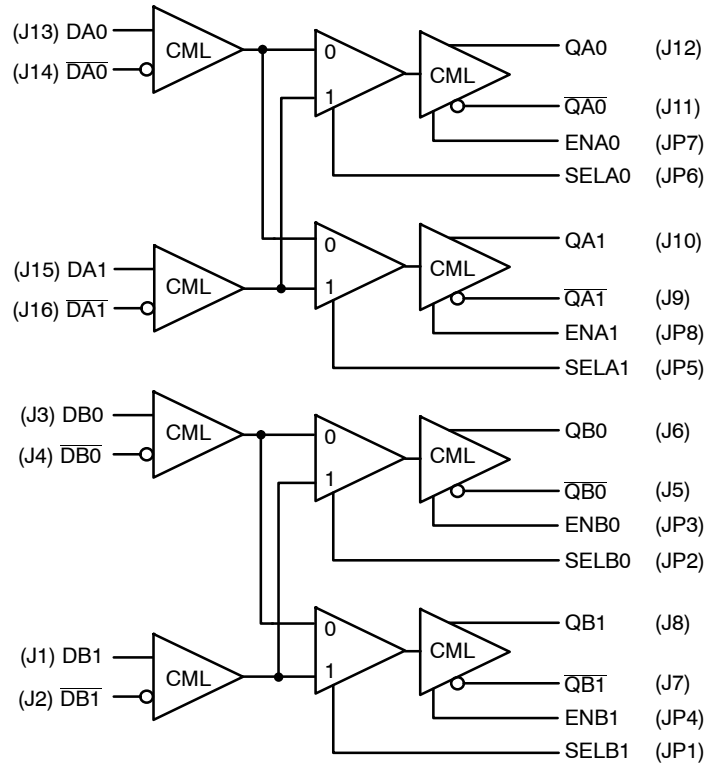


Figure 3. NB4N840M Evaluation Board Connector Configuration

## Step 5: Output Connections

The CML outputs, QAn and QBn, must be AC-coupled to a 50 Ω termination (100 Ω differential) load. On-board 100-Ω differential terminations are provided to reduce noise on outputs that are not used. Connect the QAn/QBn CML outputs to the oscilloscope with equally matched cables.

### 1. Monitoring One or More CML Outputs with 50 Ω Oscilloscope Inputs

- Leave the coupling capacitors in series with the outputs.
- Remove the associated 100 Ω differential load resistors from the evaluation board on the outputs (R9–R12).
- It is important to remove the 100 Ω resistor on the output monitored, otherwise the load impedance will not match the characteristic impedance of the line and the resulting reflections will cause a degradation in the output signal quality.
- If you are observing a single-ended output, balance the other half with a 50 Ω termination to ground (through the AC-coupling capacitor).

### 2. Monitoring CML Outputs with High-Impedance Oscilloscope Inputs

- Leave the coupling capacitors in series with the outputs.
- Make sure the differential load resistors are on all the outputs (R9–R12).

Table 4. Output Connectors

Outputs	Board Connector
QA0	J12
$\overline{QA0}$	J11
QA1	J10
$\overline{QA1}$	J9
QB0	J6
$\overline{QB0}$	J5
QB1	J8
$\overline{QB1}$	J7

# NB4N840MMNEVB

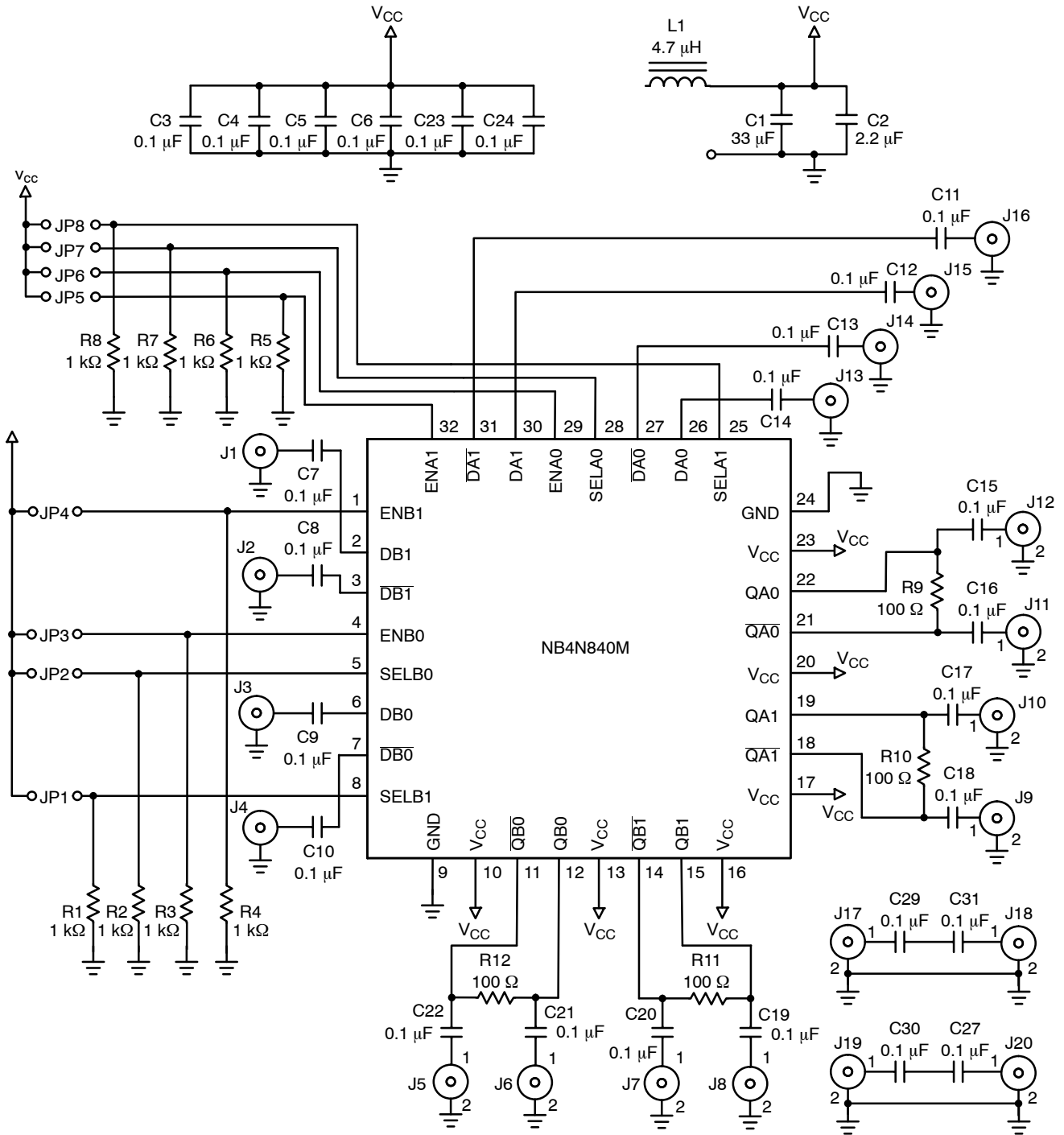


Figure 4. Evaluation Board Schematic

# NB4N840MMNEVB

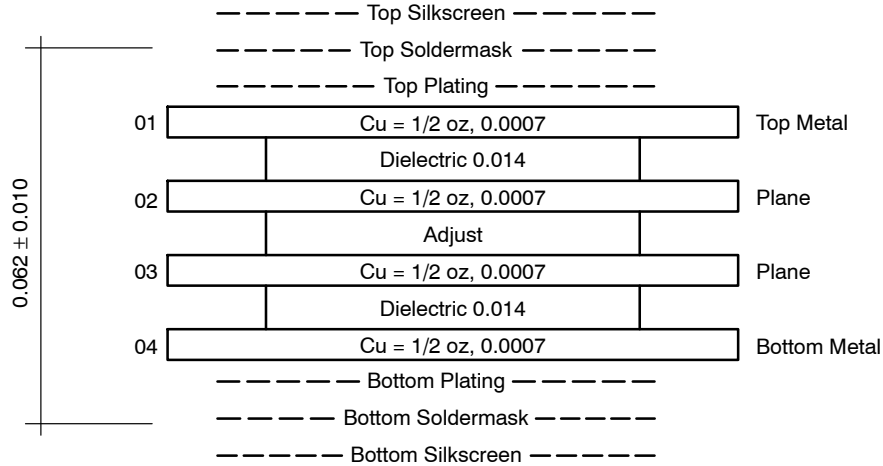
**Table 5. BILL OF MATERIALS**

Ref. Number	Qty	Description	Manufacturer	Manufacturer Part No. (Notes 1, 2)
R1 – R8	8	1 k $\Omega$ $\pm$ 1%, 0402, Resistors	Multicomp	MC0402WGF1001TCE-TR
R9 – R12	4	100 $\Omega$ $\pm$ 1%, 0402, Resistors	Multicomp	MC0402WGF1000TCE-TR
C1	1	33 $\mu$ F $\pm$ 10%, size "D", Tantalum Capacitor	Kemet	T491D336K016AT
C2	1	2.2 $\mu$ F $\pm$ 10%, size "C", Tantalum Capacitor	Kemet	T491C225K035AT
C3 – C24, C27, C29 – C31	26	0.1 $\mu$ F $\pm$ 10%, 0402, Ceramic Capacitors	Kemet	C0402C104K4RAC-TU
L1	1	4.7 $\mu$ H Inductor	Coilcraft	DT3316P-472MLB
U1	1	32 pin QFN	ON Semiconductor	NB4N840MMNG
J1 – J20	20	SMA Edge Mount Connectors	Johnson	142-0701-851
JS1 – JS8	8	SMA Connectors	Johnson	142-0701-201
J21, J22	2	Test Point Jacks		
JP1 – JP8	8	1x2 Pin Headers, (0.1 inch pitch)	SPC	SPC20485
JP1 – JP8	8	Shunts	SPC	SPC19809

1. Specified parts are RoHS-compliant.
2. Only RoHS-compliant equivalent parts may be substituted.

### Board Lay-Up

This board is implemented in four layers and provides a high bandwidth 50  $\Omega$  controlled impedance environment. The pictures in Figures 5 through 9 show views of the four layers of the evaluation board. Board material is FR4.



**Figure 5. Evaluation Board Lay-Up**

# NB4N840MMNEVB

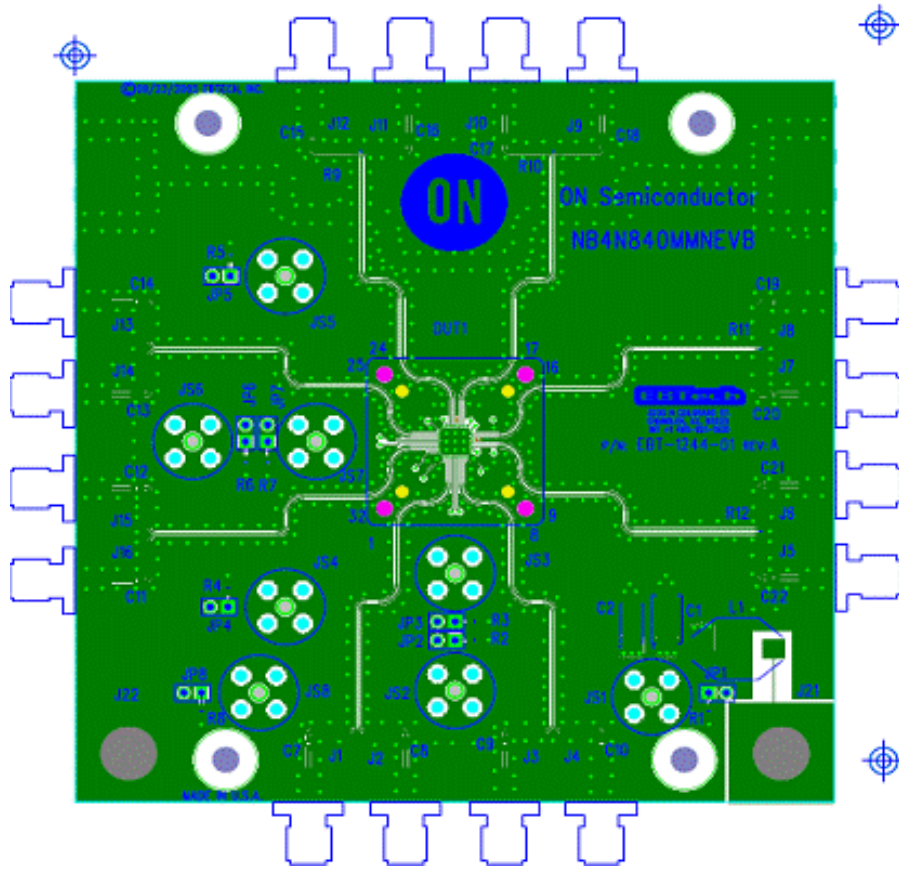


Figure 6. NB4N840MMN Evaluation Board Top (Component) Layer

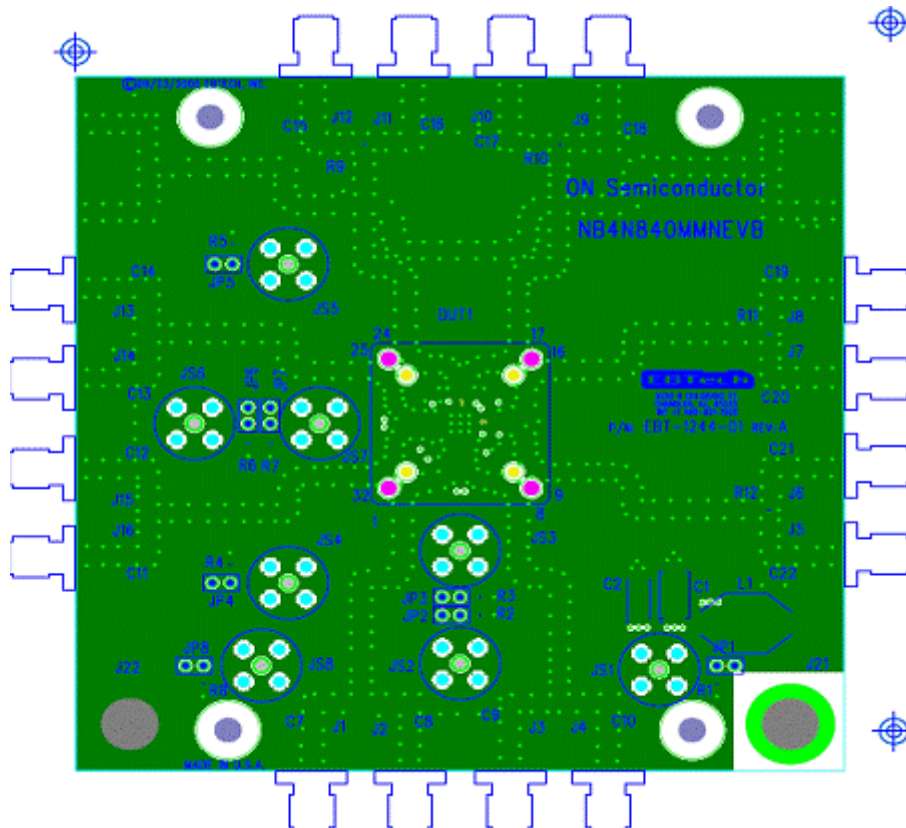


Figure 7. Ground Layer

# NB4N840MMNEVB

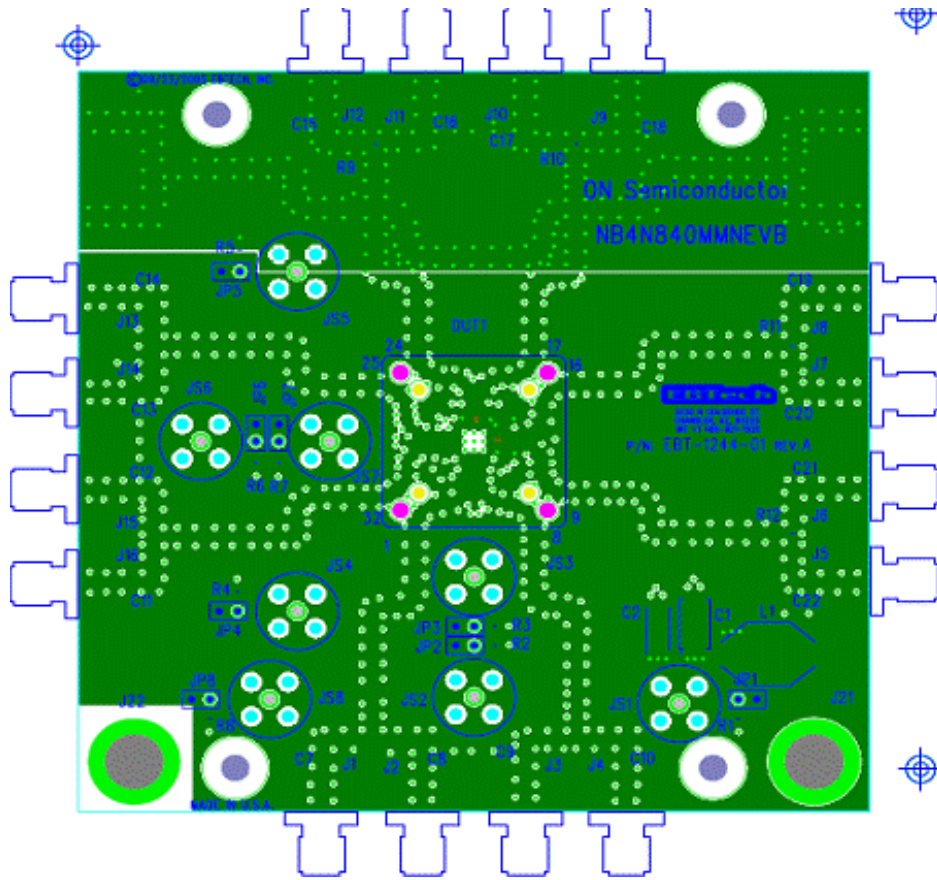


Figure 8. Power Layer

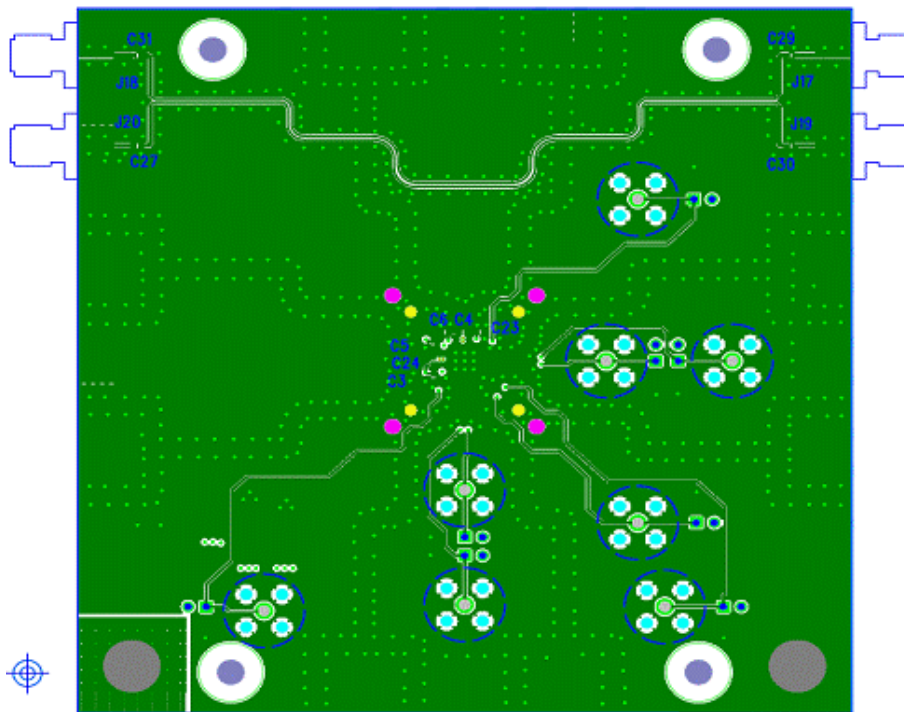



Figure 9. Bottom Layer

# NB4N840MMNEVB

**ON Semiconductor** and  are registered trademarks of Semiconductor Components Industries, LLC (SCILLC). SCILLC reserves the right to make changes without further notice to any products herein. SCILLC makes no warranty, representation or guarantee regarding the suitability of its products for any particular purpose, nor does SCILLC assume any liability arising out of the application or use of any product or circuit, and specifically disclaims any and all liability, including without limitation special, consequential or incidental damages. "Typical" parameters which may be provided in SCILLC data sheets and/or specifications can and do vary in different applications and actual performance may vary over time. All operating parameters, including "Typicals" must be validated for each customer application by customer's technical experts. SCILLC does not convey any license under its patent rights nor the rights of others. SCILLC products are not designed, intended, or authorized for use as components in systems intended for surgical implant into the body, or other applications intended to support or sustain life, or for any other application in which the failure of the SCILLC product could create a situation where personal injury or death may occur. Should Buyer purchase or use SCILLC products for any such unintended or unauthorized application, Buyer shall indemnify and hold SCILLC and its officers, employees, subsidiaries, affiliates, and distributors harmless against all claims, costs, damages, and expenses, and reasonable attorney fees arising out of, directly or indirectly, any claim of personal injury or death associated with such unintended or unauthorized use, even if such claim alleges that SCILLC was negligent regarding the design or manufacture of the part. SCILLC is an Equal Opportunity/Affirmative Action Employer. This literature is subject to all applicable copyright laws and is not for resale in any manner.

## PUBLICATION ORDERING INFORMATION

### LITERATURE FULFILLMENT:

Literature Distribution Center for ON Semiconductor  
P.O. Box 5163, Denver, Colorado 80217 USA  
**Phone:** 303-675-2175 or 800-344-3860 Toll Free USA/Canada  
**Fax:** 303-675-2176 or 800-344-3867 Toll Free USA/Canada  
**Email:** [orderlit@onsemi.com](mailto:orderlit@onsemi.com)

**N. American Technical Support:** 800-282-9855 Toll Free  
USA/Canada  
**Europe, Middle East and Africa Technical Support:**  
Phone: 421 33 790 2910  
**Japan Customer Focus Center**  
Phone: 81-3-5817-1050

**ON Semiconductor Website:** [www.onsemi.com](http://www.onsemi.com)  
**Order Literature:** <http://www.onsemi.com/orderlit>  
For additional information, please contact your local  
Sales Representative



Компания «Океан Электроники» предлагает заключение долгосрочных отношений при поставках импортных электронных компонентов на взаимовыгодных условиях!

Наши преимущества:

- Поставка оригинальных импортных электронных компонентов напрямую с производств Америки, Европы и Азии, а так же с крупнейших складов мира;
- Широкая линейка поставок активных и пассивных импортных электронных компонентов (более 30 млн. наименований);
- Поставка сложных, дефицитных, либо снятых с производства позиций;
- Оперативные сроки поставки под заказ (от 5 рабочих дней);
- Экспресс доставка в любую точку России;
- Помощь Конструкторского Отдела и консультации квалифицированных инженеров;
- Техническая поддержка проекта, помощь в подборе аналогов, поставка прототипов;
- Поставка электронных компонентов под контролем ВП;
- Система менеджмента качества сертифицирована по Международному стандарту ISO 9001;
- При необходимости вся продукция военного и аэрокосмического назначения проходит испытания и сертификацию в лаборатории (по согласованию с заказчиком);
- Поставка специализированных компонентов военного и аэрокосмического уровня качества (Xilinx, Altera, Analog Devices, Intersil, Interpoint, Microsemi, Actel, Aeroflex, Peregrine, VPT, Syfer, Eurofarad, Texas Instruments, MS Kennedy, Miteq, Cobham, E2V, MA-COM, Hittite, Mini-Circuits, General Dynamics и др.);

Компания «Океан Электроники» является официальным дистрибьютором и эксклюзивным представителем в России одного из крупнейших производителей разъемов военного и аэрокосмического назначения «JONHON», а так же официальным дистрибьютором и эксклюзивным представителем в России производителя высокотехнологичных и надежных решений для передачи СВЧ сигналов «FORSTAR».



## JONHON

«JONHON» (основан в 1970 г.)

Разъемы специального, военного и аэрокосмического назначения:

(Применяются в военной, авиационной, аэрокосмической, морской, железнодорожной, горно- и нефтедобывающей отраслях промышленности)

«FORSTAR» (основан в 1998 г.)

ВЧ соединители, коаксиальные кабели, кабельные сборки и микроволновые компоненты:

(Применяются в телекоммуникациях гражданского и специального назначения, в средствах связи, РЛС, а так же военной, авиационной и аэрокосмической отраслях промышленности).



Телефон: 8 (812) 309-75-97 (многоканальный)

Факс: 8 (812) 320-03-32

Электронная почта: [ocean@oceanchips.ru](mailto:ocean@oceanchips.ru)

Web: <http://oceanchips.ru/>

Адрес: 198099, г. Санкт-Петербург, ул. Калинина, д. 2, корп. 4, лит. А