

The mini analog series is a group of ICs that incorporate a general-purpose analog circuit in an ultra-small package.

The S-89530A/89531A Series are CMOS type comparators that feature Rail-to-Rail<sup>\*1</sup> I/O and can be driven at a lower voltage and lower current consumption than existing comparators, making the S-89530A/89531A for use in battery-powered compact portable devices.

\*1. Rail-to-Rail is a registered trademark of Motorola Inc.

### ■ Features

- Can be driven lower voltage than existing general-purpose comparators:  $V_{DD} = 0.9\text{ V to }5.5\text{ V}$
- Low current consumption:  $I_{DD} = 0.7\ \mu\text{A (Typ.)}$
- Rail-to-Rail wide input and output voltage range:  $V_{CMR} = V_{SS}\text{ to }V_{DD}$
- Low input offset voltage: 5.0 mV max.
- Lead-free, Sn100%, halogen-free<sup>\*1</sup>

\*1. Refer to “■ Product Code List” for details.

### ■ Applications

- Cellular phones
- PDAs
- Notebook PCs
- Digital cameras
- Digital video cameras

### ■ Package

Package Name	Drawing Code		
	Package	Tape	Reel
SC-88A	NP005-B-P-SD	NP005-B-C-SD	NP005-B-R-SD

### ■ Product Code List

Table 1

Input Offset Voltage	Product Name (Single)
$V_{IO} = 10\text{ mV max.}$	S-89530ACNC-HCBTF□
$V_{IO} = 5\text{ mV max.}$	S-89531ACNC-HCCTF□

Remark □: G, S or U

■ Pin Configuration

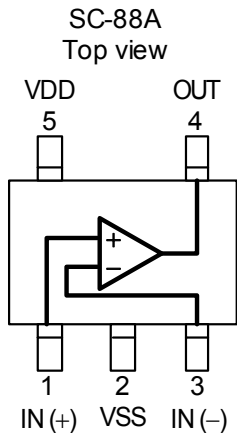


Figure 1

Table 2

Pin No.	Symbol	Description	Internal Equivalent Circuit
1	IN(+)	Non-inverted input pin	Figure 3
2	VSS	GND pin	—
3	IN(-)	Inverted input pin	Figure 3
4	OUT	Output pin	Figure 2
5	VDD	Positive power supply pin	Figure 4

■ Internal Equivalent Circuits

(1) Output pin

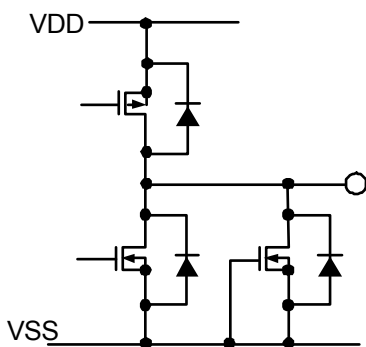


Figure 2

(2) Input pin

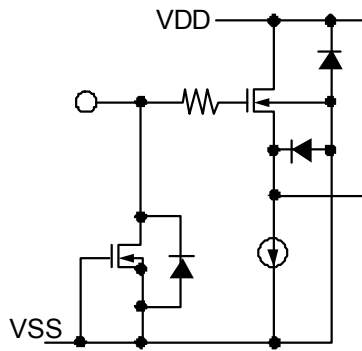


Figure 3

(3) VDD pin

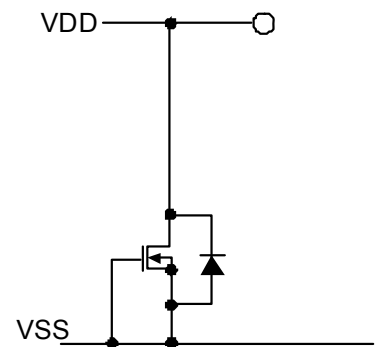


Figure 4

■ **Absolute Maximum Ratings**

**Table 3**

(Ta = 25°C unless otherwise specified)

Parameter	Symbol	Ratings	Unit
Power supply voltage	$V_{DD}$	$V_{SS}-0.3$ to $V_{SS}+7.0$	V
Input voltage	$V_{IN}$	$V_{SS}-0.3$ to $V_{SS}+7.0$ (7.0 max.)	V
Output voltage	$V_{OUT}$	$V_{SS}-0.3$ to $V_{DD}+0.3$ (7.0 max.)	V
Differential input voltage	$V_{IND}$	$\pm 5.5$	V
Power dissipation	$P_D$	200 (When not mounted on board)	mW
		$350^{*1}$	mW
Operating temperature	$T_{opr}$	-40 to +85	°C
Storage temperature	$T_{sto}$	-55 to +125	°C

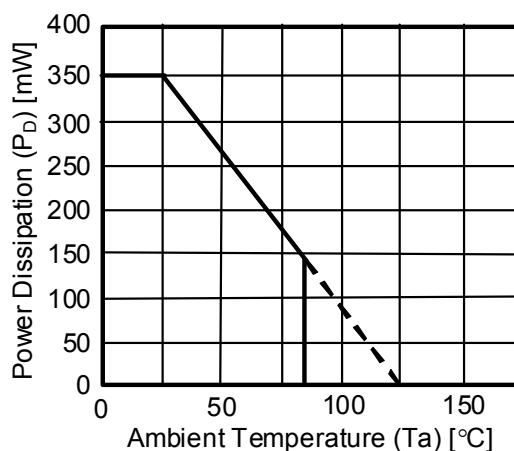
\*1. When mounted on board

[Mounted board]

(1) Board size :    114.3 mm × 76.2 mm × t1.6 mm

(2) Board name :    JEDEC STANDARD51-7

**Caution** The absolute maximum ratings are rated values exceeding which the product could suffer physical damage. These values must therefore not be exceeded under any conditions.



**Figure 5 Power Dissipation of Package (When Mounted on Board)**

■ **Recommended Operating Voltage Range**

**Table 4**

Parameter	Symbol	Range	Unit
Operating power supply voltage range	$V_{DD}$	0.9 to 5.5	V

■ **Electrical Characteristics**

The S-89530ACNC and S-89531ACNC only differ in the input offset voltage. All other specifications are the same.

1.  $V_{DD} = 3.0$  V

**Table 5**

DC Characteristics ( $V_{DD} = 3.0$  V)

( $T_a = 25^\circ\text{C}$  unless otherwise specified)

Parameter	Symbol	Conditions	Min.	Typ.	Max.	Unit	Measurement circuit
Supply current	$I_{DDH}$	$V_{IN1} = V_{SS}, V_{IN2} = V_{DD}, R_L = \infty$	—	0.7	1.4	$\mu\text{A}$	<b>Figure 11</b>
	$I_{DDL}$	$V_{IN1} = V_{DD}, V_{IN2} = V_{SS}, R_L = \infty$	—	0.25	0.5		
Input offset voltage	$V_{IO}$	S-89530A: $V_{CMR} = 1.5$ V	-10	$\pm 5$	+10	mV	<b>Figure 7</b>
		S-89531A: $V_{CMR} = 1.5$ V	-5	$\pm 3$	+5		
Input offset current	$I_{IO}$	—	—	1	—	pA	—
Input bias current	$I_{BIAS}$	—	—	1	—		
Common-mode input voltage range	$V_{CMR}$	—	0	—	3.0	V	<b>Figure 8</b>
Voltage gain (open loop)	$A_{VOL}$	$V_{CMR} = 1.5$ V, $R_L = 1$ M $\Omega$	—	86	—	dB	—
Maximum output swing voltage	$V_{OH}$	$R_L = 1$ M $\Omega$	2.98	—	—	V	<b>Figure 9</b>
	$V_{OL}$	$R_L = 1$ M $\Omega$	—	—	0.02		<b>Figure 10</b>
Common-mode input signal rejection ratio	CMRR	$V_{SS} \leq V_{CMR} \leq V_{DD}$	45	65	—	dB	<b>Figure 8</b>
Power supply voltage rejection ratio	PSRR	$V_{DD} = 0.9$ V to 5.5 V	66	75	—	dB	<b>Figure 6</b>
Source current*1	$I_{SOURCE}$	$V_{OUT} = V_{DD} - 0.1$ V	380	500	—	$\mu\text{A}$	<b>Figure 12</b>
		$V_{OUT} = 0$ V	4000	5500	—		
Sink current	$I_{SINK}$	$V_{OUT} = 0.1$ V	400	550	—	$\mu\text{A}$	<b>Figure 13</b>
		$V_{OUT} = V_{DD}$	4800	6000	—		

\*1. Be sure to use the product with a source current of no more than 7 mA.

**Table 6**

AC Characteristics ( $V_{DD} = 3.0$  V)

( $T_a = 25^\circ\text{C}$  unless otherwise specified)

Parameter	Symbol	Conditions	Min.	Typ.	Max.	Unit
Rise propagation delay time	$t_{PLH}$	Overdrive = 100 mV $C_L = 15$ pF (Refer to <b>Figure 14</b> )	—	110	—	$\mu\text{s}$
Fall propagation delay time	$t_{PHL}$		—	280	—	
Rise response time	$t_{TLH}$		—	10	—	
Fall response time	$t_{THL}$		—	30	—	

**2.  $V_{DD} = 1.8$  V**

**Table 7**

DC Characteristics ( $V_{DD} = 1.8$  V) ( $T_a = 25^\circ\text{C}$  unless otherwise specified)

Parameter	Symbol	Conditions	Min.	Typ.	Max.	Unit	Measurement circuit
Supply current	$I_{DDH}$	$V_{IN1} = V_{SS}, V_{IN2} = V_{DD}, R_L = \infty$	—	0.7	1.4	$\mu\text{A}$	<b>Figure 11</b>
	$I_{DDL}$	$V_{IN1} = V_{DD}, V_{IN2} = V_{SS}, R_L = \infty$	—	0.25	0.5		
Input offset voltage	$V_{IO}$	S-89530A: $V_{CMR} = 0.9$ V	-10	$\pm 5$	+10	mV	<b>Figure 7</b>
		S-89531A: $V_{CMR} = 0.9$ V	-5	$\pm 3$	+5		
Input offset current	$I_{IO}$	—	—	1	—	pA	—
Input bias current	$I_{BIAS}$	—	—	1	—		
Common-mode input voltage range	$V_{CMR}$	—	0	—	1.8	V	<b>Figure 8</b>
Voltage gain (open loop)	$A_{VOL}$	$V_{CMR} = 0.9$ V, $R_L = 1$ M $\Omega$	—	80	—	dB	—
Maximum output swing voltage	$V_{OH}$	$R_L = 1$ M $\Omega$	1.78	—	—	V	<b>Figure 9</b>
	$V_{OL}$	$R_L = 1$ M $\Omega$	—	—	0.02		<b>Figure 10</b>
Common-mode input signal rejection ratio	CMRR	$V_{SS} \leq V_{CMR} \leq V_{DD}$	35	55	—	dB	<b>Figure 8</b>
		$V_{SS} \leq V_{CMR} \leq V_{DD} - 0.2$ V	45	60	—		
Power supply voltage rejection ratio	PSRR	$V_{DD} = 0.9$ V to 5.5 V	66	75	—	dB	<b>Figure 6</b>
Source current	$I_{SOURCE}$	$V_{OUT} = V_{DD} - 0.1$ V	200	250	—	$\mu\text{A}$	<b>Figure 12</b>
		$V_{OUT} = 0$ V	1000	1500	—		
Sink current	$I_{SINK}$	$V_{OUT} = 0.1$ V	220	300	—	$\mu\text{A}$	<b>Figure 13</b>
		$V_{OUT} = V_{DD}$	1200	1800	—		

**Table 8**

AC Characteristics ( $V_{DD} = 1.8$  V) ( $T_a = 25^\circ\text{C}$  unless otherwise specified)

Parameter	Symbol	Conditions	Min.	Typ.	Max.	Unit
Rise propagation delay time	$t_{PLH}$	Overdrive = 100 mV $C_L = 15$ pF (Refer to <b>Figure 14</b> )	—	90	—	$\mu\text{s}$
Fall propagation delay time	$t_{PHL}$		—	160	—	
Rise response time	$t_{TLH}$		—	8	—	
Fall response time	$t_{THL}$		—	25	—	

**3.  $V_{DD} = 0.9$  V**

**Table 9**

DC Characteristics ( $V_{DD} = 0.9$  V)

( $T_a = 25^\circ\text{C}$  unless otherwise specified)

Parameter	Symbol	Conditions	Min.	Typ.	Max.	Unit	Measurement circuit
Supply current	$I_{DDH}$	$V_{IN1} = V_{SS}, V_{IN2} = V_{DD}, R_L = \infty$	—	0.7	1.3	$\mu\text{A}$	<b>Figure 11</b>
	$I_{DDL}$	$V_{IN1} = V_{DD}, V_{IN2} = V_{SS}, R_L = \infty$	—	0.25	0.5		
Input offset voltage	$V_{IO}$	S-89530A: $V_{CMR} = 0.45$ V	-10	$\pm 5$	+10	mV	<b>Figure 7</b>
		S-89531A: $V_{CMR} = 0.45$ V	-5	$\pm 3$	+5		
Input offset current	$I_{IO}$	—	—	1	—	pA	—
Input bias current	$I_{BIAS}$	—	—	1	—		
Common-mode input voltage range	$V_{CMR}$	—	0	—	0.9	V	<b>Figure 8</b>
Voltage gain (open loop)	$A_{VOL}$	$V_{CMR} = 0.45$ V, $R_L = 1$ M $\Omega$	—	74	—	dB	—
Maximum output swing voltage	$V_{OH}$	$R_L = 1$ M $\Omega$	0.88	—	—	V	<b>Figure 9</b>
	$V_{OL}$	$R_L = 1$ M $\Omega$	—	—	0.02		<b>Figure 10</b>
Common-mode input signal rejection ratio	CMRR	$V_{SS} \leq V_{CMR} \leq V_{DD}$	25	50	—	dB	<b>Figure 8</b>
		$V_{SS} \leq V_{CMR} \leq V_{DD} - 0.3$ V	40	60	—		
Power supply voltage rejection ratio	PSRR	$V_{DD} = 0.9$ V to 5.5 V	66	75	—	dB	<b>Figure 6</b>
Source current	$I_{SOURCE}$	$V_{OUT} = V_{DD} - 0.1$ V	10	45	—	$\mu\text{A}$	<b>Figure 12</b>
		$V_{OUT} = 0$ V	12	70	—		
Sink current	$I_{SINK}$	$V_{OUT} = 0.1$ V	10	65	—	$\mu\text{A}$	<b>Figure 13</b>
		$V_{OUT} = V_{DD}$	12	120	—		

**Table 10**

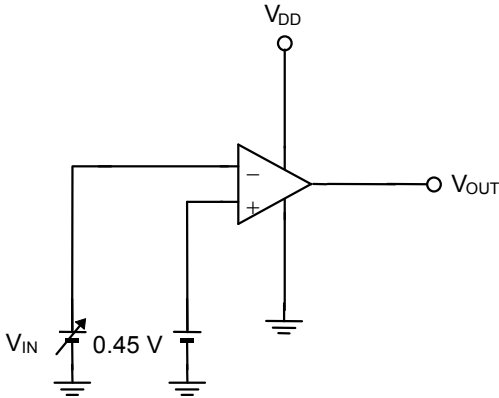
AC Characteristics ( $V_{DD} = 0.9$  V)

( $T_a = 25^\circ\text{C}$  unless otherwise specified)

Parameter	Symbol	Conditions	Min.	Typ.	Max.	Unit
Rise propagation delay time	$t_{PLH}$	Overdrive = 100 mV $C_L = 15$ pF (Refer to <b>Figure 14</b> )	—	65	—	$\mu\text{s}$
Fall propagation delay time	$t_{PHL}$		—	65	—	
Rise response time	$t_{TLH}$		—	5	—	
Fall response time	$t_{THL}$		—	20	—	

■ **Measurement Circuits**

**1. Power supply voltage rejection ratio**



**Figure 6**

- The power supply voltage rejection ratio (PSRR) is calculated by the following expression, with the value of  $V_{IO}$  measured at each  $V_{DD}$ .

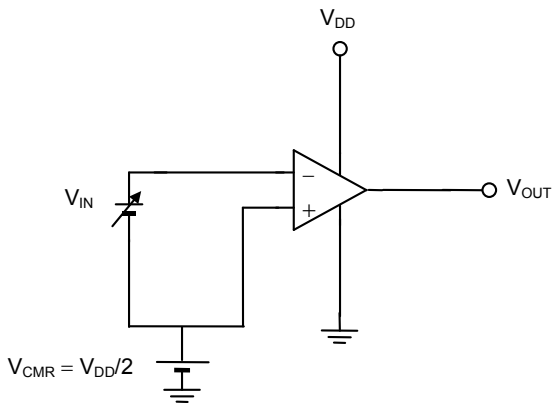
Measurement conditions:

When  $V_{DD} = 0.9\text{ V}$ :  $V_{DD} = V_{DD1}$ ,  $V_{IO} = V_{IO1}$

When  $V_{DD} = 5.5\text{ V}$ :  $V_{DD} = V_{DD2}$ ,  $V_{IO} = V_{IO2}$

$$PSRR = 20 \log \left( \left| \frac{V_{DD1} - V_{DD2}}{V_{IO1} - V_{IO2}} \right| \right)$$

**2. Input offset voltage**



**Figure 7**

- Input offset voltage ( $V_{IO}$ )  
 The input offset voltage ( $V_{IO}$ ) is defined as  $V_{IN}$  at which  $V_{OUT}$  changes by changing  $V_{IN}$ .

3. Common-mode input signal rejection rate, common-mode input voltage range

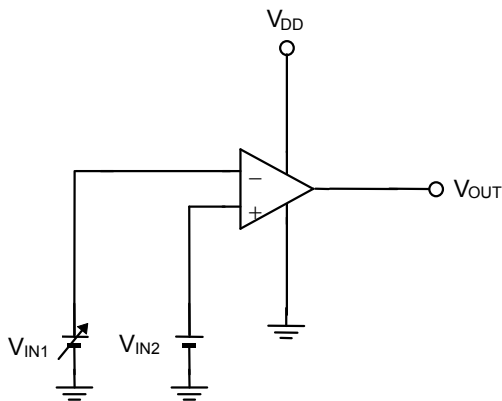


Figure 8

- Common-mode input signal rejection ratio (CMRR)  
 The common-mode input signal rejection ratio, CMRR, can be calculated by the following expression, with the offset voltage ( $V_{IO}$ ) defined as  $V_{IN1}$  minus  $V_{IN2}$  at which  $V_{OUT}$  is changed by changing  $V_{IN1}$ .

Measurement conditions:

When  $V_{IN2} = V_{CMR}(\text{max.})$ :  $V_{IO} = V_{IO1}$

When  $V_{IN2} = V_{CMR}(\text{min.})$ :  $V_{IO} = V_{IO2}$

$$CMRR = 20 \log \left( \frac{V_{CMR}(\text{max.}) - V_{CMR}(\text{min.})}{V_{IO1} - V_{IO2}} \right)$$

- Common-mode input voltage range ( $V_{CMR}$ )  
 The common-mode input voltage range is the range of  $V_{IN2}$  within which  $V_{OUT}$  satisfies the common mode input signal rejection ratio specification.

4. Maximum output swing voltage

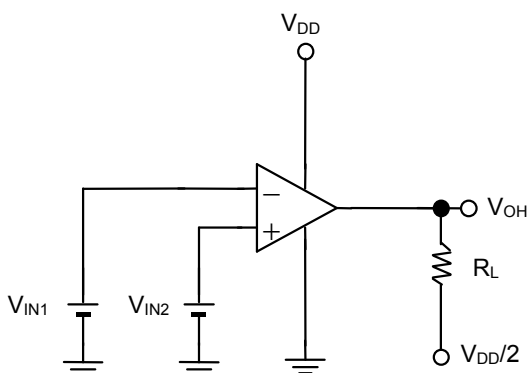


Figure 9

- Maximum output swing voltage ( $V_{OH}$ )  
 Measurement conditions:  $V_{IN1} = \frac{V_{DD}}{2} - 0.1 \text{ V}$   
 $V_{IN2} = \frac{V_{DD}}{2} + 0.1 \text{ V}$   
 $R_L = 1 \text{ M}\Omega$

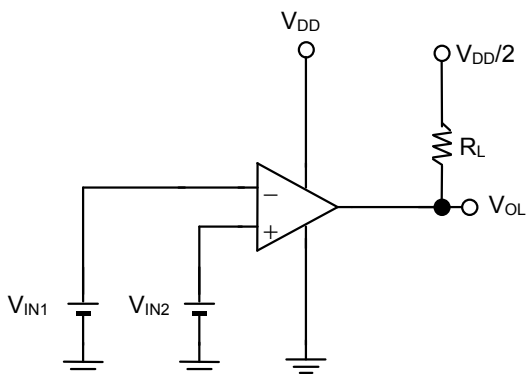


Figure 10

- Maximum output swing voltage ( $V_{OL}$ )  
 Measurement conditions:  $V_{IN1} = \frac{V_{DD}}{2} + 0.1 \text{ V}$   
 $V_{IN2} = \frac{V_{DD}}{2} - 0.1 \text{ V}$   
 $R_L = 1 \text{ M}\Omega$



5. Supply current

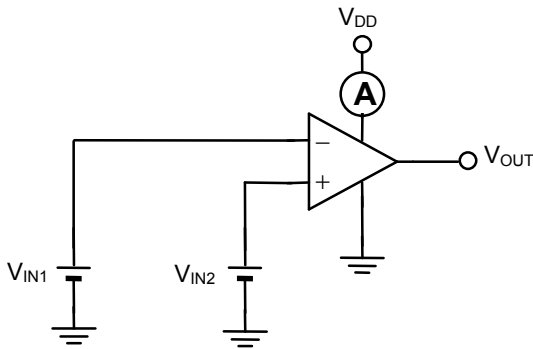


Figure 11

- Supply current ( $I_{DDH}$ )  
Measurement conditions:  $V_{IN1} = V_{SS}$   
 $V_{IN2} = V_{DD}$
- Supply current ( $I_{DDL}$ )  
Measurement conditions:  $V_{IN1} = V_{DD}$   
 $V_{IN2} = V_{SS}$

6. Source current

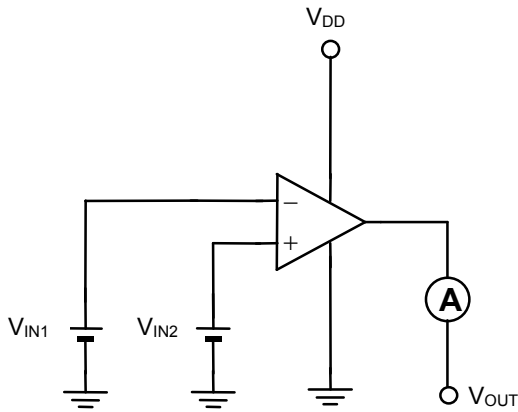


Figure 12

- Source current ( $I_{SOURCE}$ )  
Measurement conditions:  $V_{IN1} = \frac{V_{DD}}{2} - 0.1V$   
 $V_{IN2} = \frac{V_{DD}}{2} + 0.1V$   
 $V_{OUT} = V_{DD} - 0.1V$  or  
 $V_{OUT} = 0V$

7. Sink current

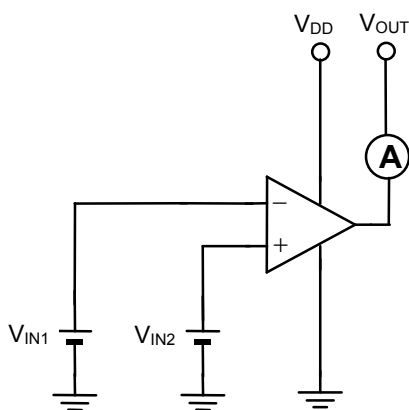


Figure 13

- Sink current ( $I_{SINK}$ )  
Measurement conditions:  $V_{IN1} = \frac{V_{DD}}{2} + 0.1V$   
 $V_{IN2} = \frac{V_{DD}}{2} - 0.1V$   
 $V_{OUT} = 0.1V$  or  
 $V_{OUT} = V_{DD}$

8. Propagation delay time/transient response time

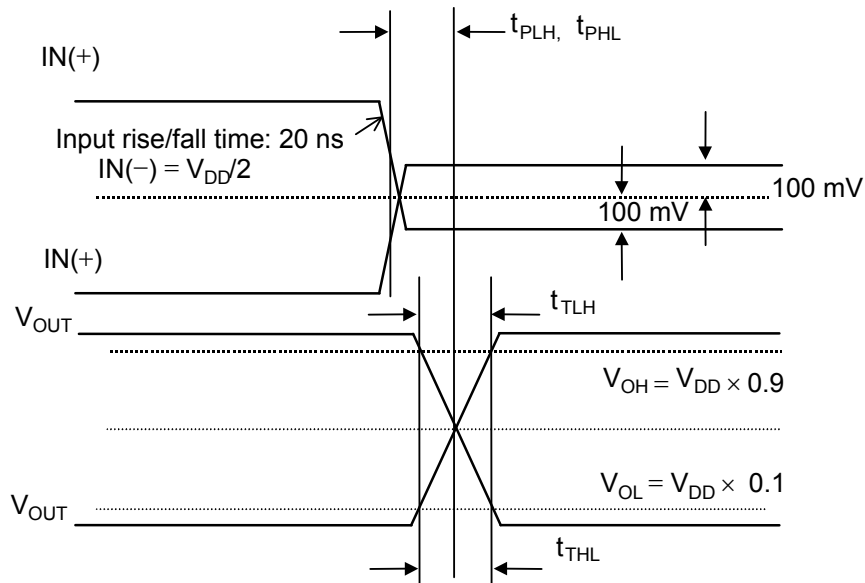


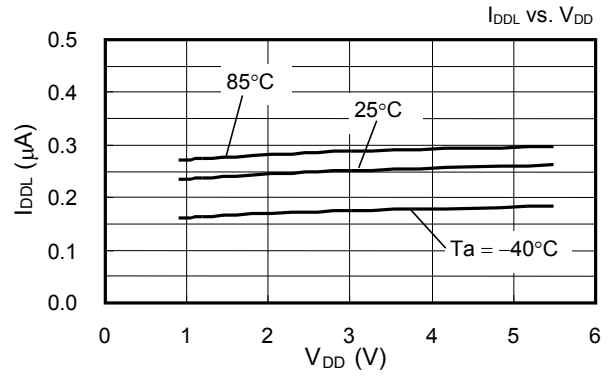
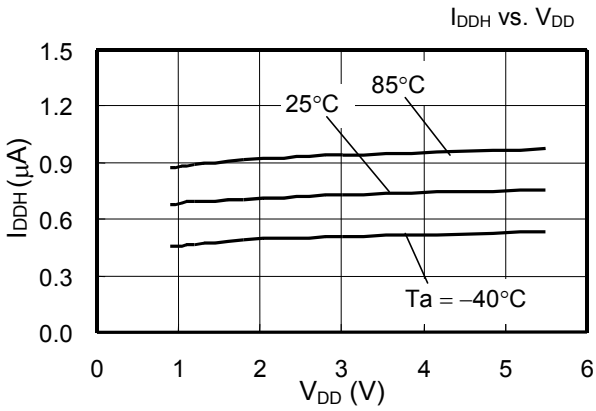
Figure 14

■ Cautions

- When  $R_L = 100 \text{ k}\Omega$ ,  $V_{OH}$  may rise only 0.65 V if the temperature is  $-40^\circ\text{C}$  and  $V_{DD} = 0.9 \text{ V}$ .  
 If the temperature is  $-20^\circ\text{C}$ , however,  $V_{OH}$  rises to 0.8 V, which is 100 mV below  $V_{DD}$ , when  $V_{DD} = 0.9 \text{ V}$ , even if  $R_L = 100 \text{ k}\Omega$ .  
 If  $V_{DD}$  is 1.2 V,  $V_{OH}$  rises to 0.88 V, which is 20 mV below  $V_{DD}$  when  $R_L = 100 \text{ k}\Omega$ , even at  $-40^\circ\text{C}$ .  
 The temperature characteristics data described above can be used as reference data. Note that 100% testing under these conditions has not been performed.
- Be sure to use the product with a source current of no more than 7 mA.
- Do not apply an electrostatic discharge to this IC that exceeds the performance ratings of the built-in electrostatic protection circuit.

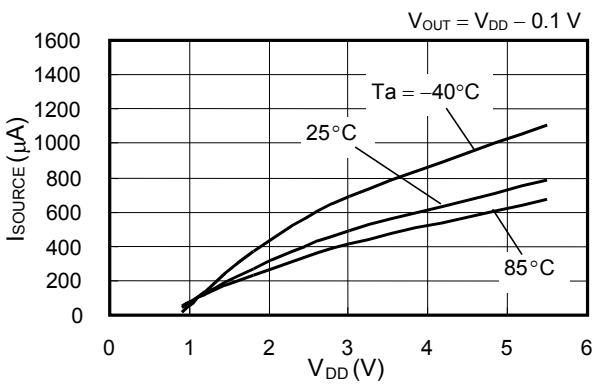
■ **Characteristics (Reference Data)**

**1. Current consumption vs. Power supply voltage**

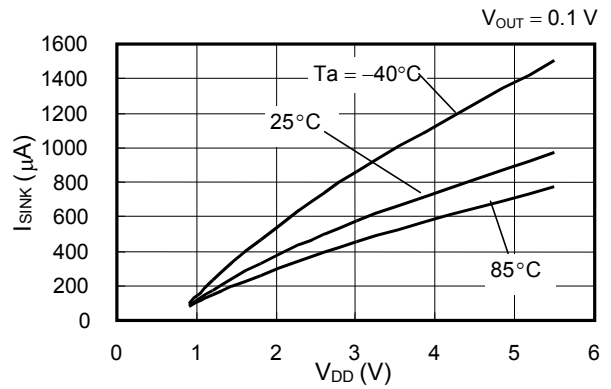


**2. Output current**

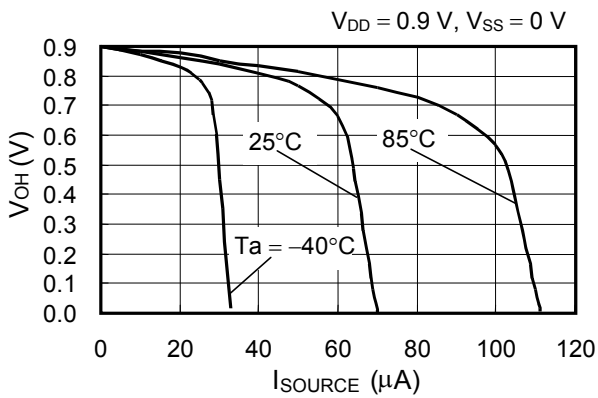
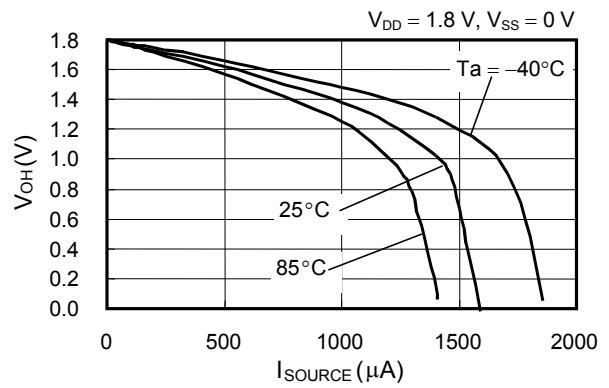
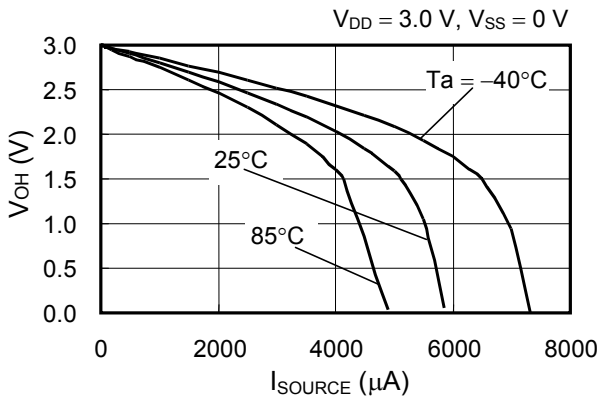
**2-1.  $I_{SOURCE}$  vs. Power supply voltage**



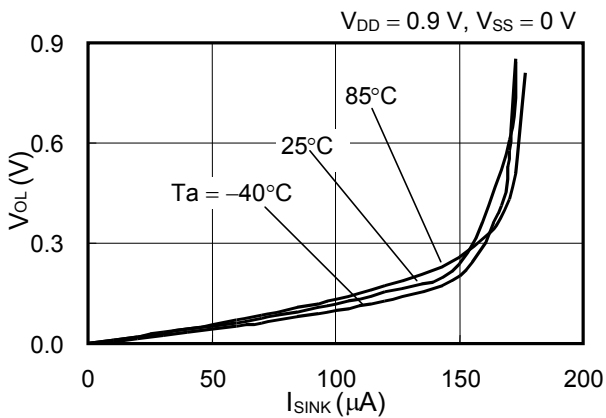
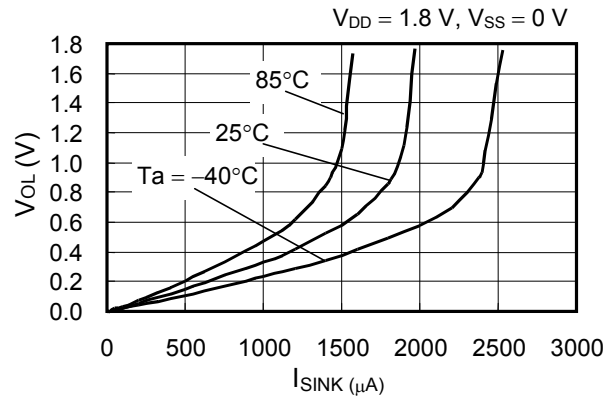
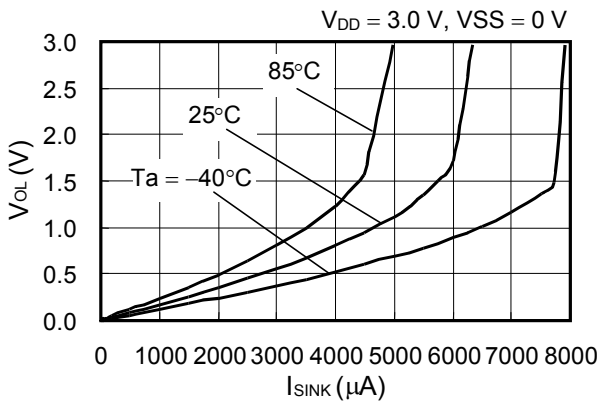
**$I_{SINK}$  vs. Power supply voltage**

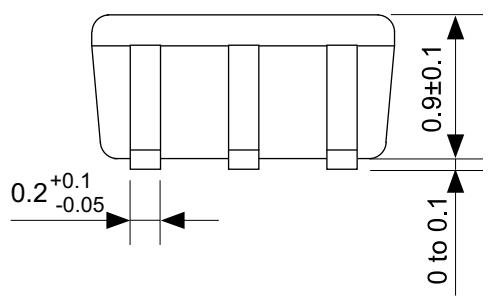
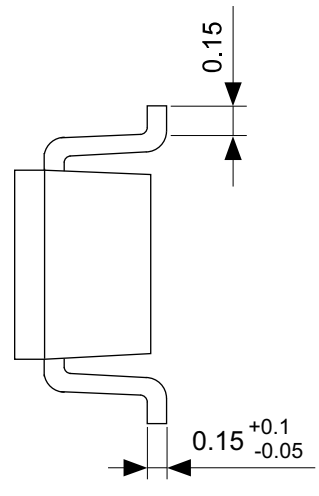
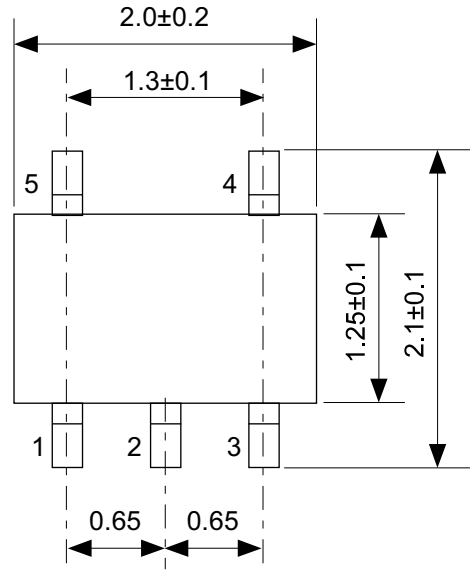


**2-2. Output voltage ( $V_{OH}$ ) vs.  $I_{SOURCE}$**



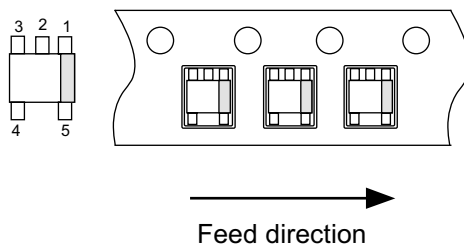
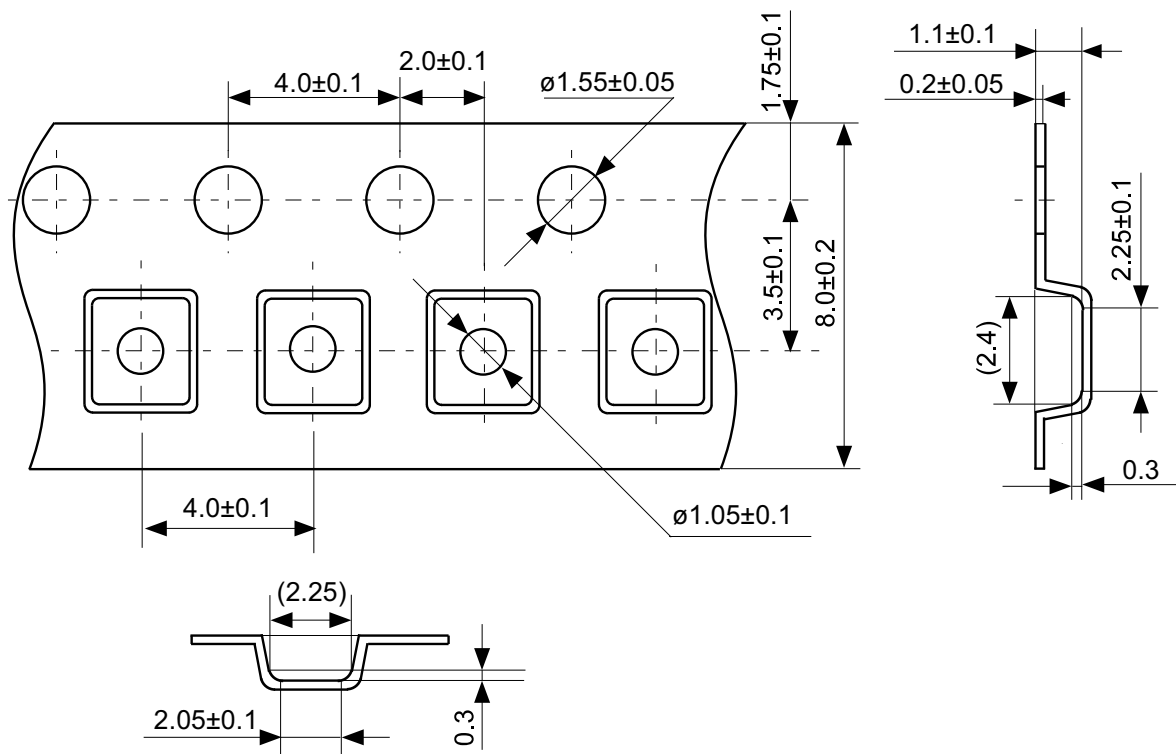
**2-3. Output Voltage ( $V_{OL}$ ) vs.  $I_{SINK}$**





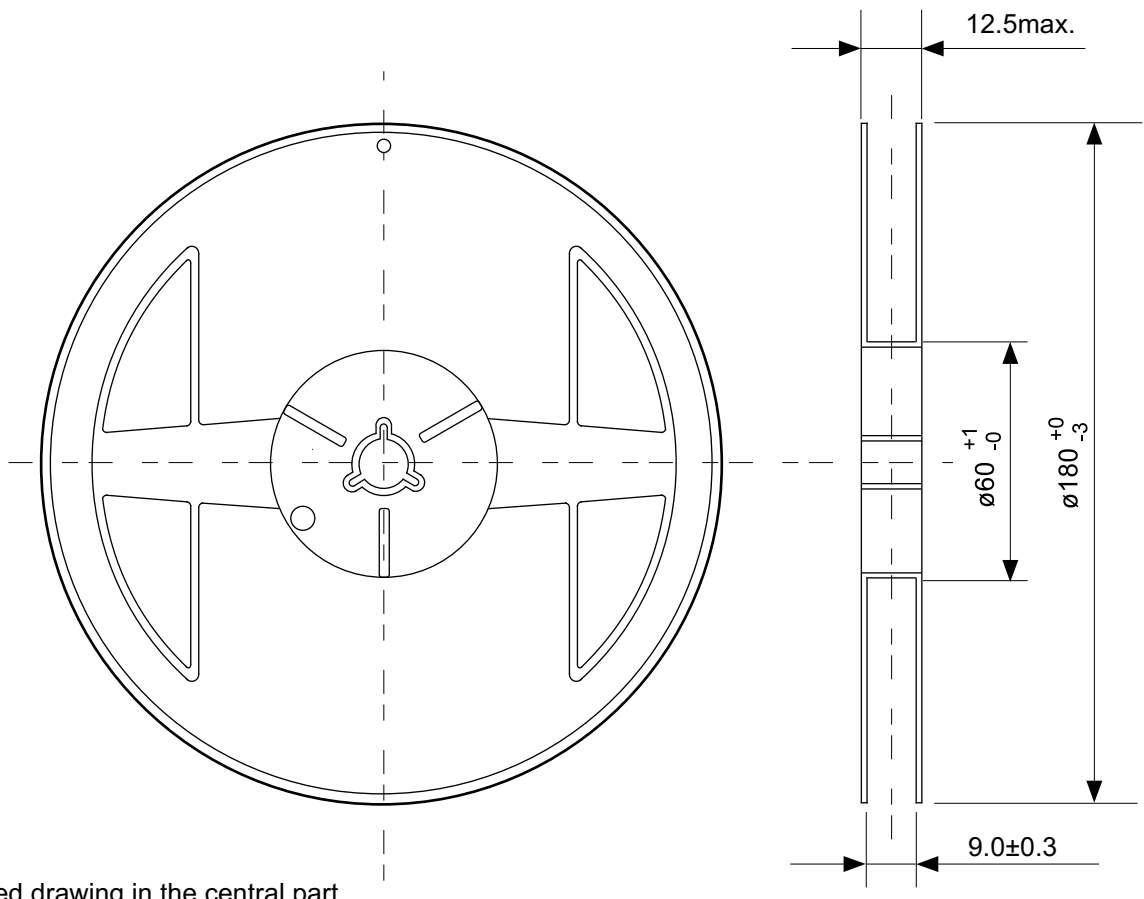
No. NP005-B-P-SD-1.2

TITLE	SC88A-B-PKG Dimensions
No.	NP005-B-P-SD-1.2
ANGLE	
UNIT	mm
<b>ABLIC Inc.</b>	

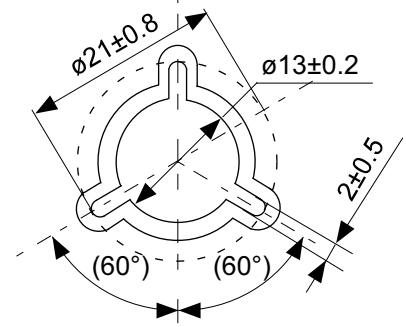


No. NP005-B-C-SD-2.0

TITLE	SC88A-B-Carrier Tape
No.	NP005-B-C-SD-2.0
ANGLE	
UNIT	mm
<b>ABLIC Inc.</b>	



Enlarged drawing in the central part



No. NP005-B-R-SD-2.1

TITLE	SC88A-B-Reel		
No.	NP005-B-R-SD-2.1		
ANGLE		QTY.	3,000
UNIT	mm		
<b>ABLIC Inc.</b>			

## Disclaimers (Handling Precautions)

1. All the information described herein (product data, specifications, figures, tables, programs, algorithms and application circuit examples, etc.) is current as of publishing date of this document and is subject to change without notice.
2. The circuit examples and the usages described herein are for reference only, and do not guarantee the success of any specific mass-production design.  
ABLIC Inc. is not liable for any losses, damages, claims or demands caused by the reasons other than the products described herein (hereinafter "the products") or infringement of third-party intellectual property right and any other right due to the use of the information described herein.
3. ABLIC Inc. is not liable for any losses, damages, claims or demands caused by the incorrect information described herein.
4. Be careful to use the products within their ranges described herein. Pay special attention for use to the absolute maximum ratings, operation voltage range and electrical characteristics, etc.  
ABLIC Inc. is not liable for any losses, damages, claims or demands caused by failures and / or accidents, etc. due to the use of the products outside their specified ranges.
5. Before using the products, confirm their applications, and the laws and regulations of the region or country where they are used and verify suitability, safety and other factors for the intended use.
6. When exporting the products, comply with the Foreign Exchange and Foreign Trade Act and all other export-related laws, and follow the required procedures.
7. The products are strictly prohibited from using, providing or exporting for the purposes of the development of weapons of mass destruction or military use. ABLIC Inc. is not liable for any losses, damages, claims or demands caused by any provision or export to the person or entity who intends to develop, manufacture, use or store nuclear, biological or chemical weapons or missiles, or use any other military purposes.
8. The products are not designed to be used as part of any device or equipment that may affect the human body, human life, or assets (such as medical equipment, disaster prevention systems, security systems, combustion control systems, infrastructure control systems, vehicle equipment, traffic systems, in-vehicle equipment, aviation equipment, aerospace equipment, and nuclear-related equipment), excluding when specified for in-vehicle use or other uses by ABLIC, Inc. Do not apply the products to the above listed devices and equipments.  
ABLIC Inc. is not liable for any losses, damages, claims or demands caused by unauthorized or unspecified use of the products.
9. In general, semiconductor products may fail or malfunction with some probability. The user of the products should therefore take responsibility to give thorough consideration to safety design including redundancy, fire spread prevention measures, and malfunction prevention to prevent accidents causing injury or death, fires and social damage, etc. that may ensue from the products' failure or malfunction.  
The entire system in which the products are used must be sufficiently evaluated and judged whether the products are allowed to apply for the system on customer's own responsibility.
10. The products are not designed to be radiation-proof. The necessary radiation measures should be taken in the product design by the customer depending on the intended use.
11. The products do not affect human health under normal use. However, they contain chemical substances and heavy metals and should therefore not be put in the mouth. The fracture surfaces of wafers and chips may be sharp. Be careful when handling these with the bare hands to prevent injuries, etc.
12. When disposing of the products, comply with the laws and ordinances of the country or region where they are used.
13. The information described herein contains copyright information and know-how of ABLIC Inc. The information described herein does not convey any license under any intellectual property rights or any other rights belonging to ABLIC Inc. or a third party. Reproduction or copying of the information from this document or any part of this document described herein for the purpose of disclosing it to a third-party is strictly prohibited without the express permission of ABLIC Inc.
14. For more details on the information described herein or any other questions, please contact ABLIC Inc.'s sales representative.
15. This Disclaimers have been delivered in a text using the Japanese language, which text, despite any translations into the English language and the Chinese language, shall be controlling.

2.4-2019.07



# Mouser Electronics

Authorized Distributor

Click to View Pricing, Inventory, Delivery & Lifecycle Information:

[ABLIC:](#)

[S-89530ACNC-HCBTFG](#) [S-89431BCFM-H4DTFU](#) [S-89530ACNC-HCBTFU](#)

Компания «Океан Электроники» предлагает заключение долгосрочных отношений при поставках импортных электронных компонентов на взаимовыгодных условиях!

Наши преимущества:

- Поставка оригинальных импортных электронных компонентов напрямую с производств Америки, Европы и Азии, а так же с крупнейших складов мира;
- Широкая линейка поставок активных и пассивных импортных электронных компонентов (более 30 млн. наименований);
- Поставка сложных, дефицитных, либо снятых с производства позиций;
- Оперативные сроки поставки под заказ (от 5 рабочих дней);
- Экспресс доставка в любую точку России;
- Помощь Конструкторского Отдела и консультации квалифицированных инженеров;
- Техническая поддержка проекта, помощь в подборе аналогов, поставка прототипов;
- Поставка электронных компонентов под контролем ВП;
- Система менеджмента качества сертифицирована по Международному стандарту ISO 9001;
- При необходимости вся продукция военного и аэрокосмического назначения проходит испытания и сертификацию в лаборатории (по согласованию с заказчиком);
- Поставка специализированных компонентов военного и аэрокосмического уровня качества (Xilinx, Altera, Analog Devices, Intersil, Interpoint, Microsemi, Actel, Aeroflex, Peregrine, VPT, Syfer, Eurofarad, Texas Instruments, MS Kennedy, Miteq, Cobham, E2V, MA-COM, Hittite, Mini-Circuits, General Dynamics и др.);

Компания «Океан Электроники» является официальным дистрибьютором и эксклюзивным представителем в России одного из крупнейших производителей разъемов военного и аэрокосмического назначения «JONHON», а так же официальным дистрибьютором и эксклюзивным представителем в России производителя высокотехнологичных и надежных решений для передачи СВЧ сигналов «FORSTAR».



## JONHON

«JONHON» (основан в 1970 г.)

Разъемы специального, военного и аэрокосмического назначения:

(Применяются в военной, авиационной, аэрокосмической, морской, железнодорожной, горно- и нефтедобывающей отраслях промышленности)

«FORSTAR» (основан в 1998 г.)

ВЧ соединители, коаксиальные кабели,  
кабельные сборки и микроволновые компоненты:

(Применяются в телекоммуникациях гражданского и специального назначения, в средствах связи, РЛС, а так же военной, авиационной и аэрокосмической отраслях промышленности).



Телефон: 8 (812) 309-75-97 (многоканальный)

Факс: 8 (812) 320-03-32

Электронная почта: [ocean@oceanchips.ru](mailto:ocean@oceanchips.ru)

Web: <http://oceanchips.ru/>

Адрес: 198099, г. Санкт-Петербург, ул. Калинина, д. 2, корп. 4, лит. А