

# Hi-performance Regulator IC Series for PCs

## Nch FET Ultra LDOs for Desktop PCs


**BD3523HFN, BD35230HFN, BD35231HFN**

No.15030ECT01

### ●Description

The BD3523HFN, BD35230HFN, BD35231HFN ultra low-dropout linear chipset regulator operates from a very low input supply, and offers ideal performance in low input voltage to low output voltage applications. It incorporates a built-in N-MOSFET power transistor to minimize the input-to-output voltage differential to the ON resistance ( $R_{ON}=150m\Omega$ ) level. By lowering the dropout voltage in this way, the regulator realizes high current output ( $I_{omax}=2.0A$ ) with reduced conversion loss, and thereby obviates the switching regulator and its power transistor, choke coil, and rectifier diode. Thus, the BD3523HFN, BD35230HFN, BD35231HFN designed to enable significant package profile downsizing and cost reduction. In BD3523HFN, an external resistor allows the entire range of output voltage configurations between 0.65 and 2.7V, while the NRCS (soft start) function enables a controlled output voltage ramp-up, which can be programmed to whatever power supply sequence is required.

### ●Features

- 1) Internal high-precision reference voltage circuit( $0.65V\pm 1\%$ )
- 2) Internal high-precision output voltage circuit <BD35230HFN/BD35231HFN>
- 3) Built-in VCC undervoltage lockout circuit ( $V_{CC}=3.80V$ )
- 4) NRCS (soft start) function reduces the magnitude of in-rush current
- 5) Internal Nch MOSFET driver offers low ON resistance ( $100m\Omega$  typ)
- 6) Built-in short circuit protection (SCP)
- 7) Built-in current limit circuit (2.0A min)
- 8) Built-in thermal shutdown (TSD) circuit
- 9) Variable output (0.65~2.7V) <BD3523HFN>
- 10) High-power package HSON8 : 2.9mm×3.0mm×0.6mm
- 11) Tracking function

### ●Applications

Notebook computers, Desktop computers, LCD-TV, DVD, Digital appliances

### ●Line-up

Maximum Output Voltage	Package	Product name
Adjustable (0.65~2.7V)	HSON8	BD3523HFN
1.0V (fixed)		BD35230HFN
1.2V (fixed)		BD35231HFN

## ● Absolute maximum ratings

Parameter	Symbol	Limit			Unit
		BD3523HFN	BD35230HFN	BD35231HFN	
Input Voltage 1	V <sub>CC</sub>	+6.0 <sup>*1</sup>			V
Input Voltage 2	V <sub>IN</sub>	+6.0 <sup>*1</sup>			V
Maximum Output Current	I <sub>O</sub>	2 <sup>*1</sup>			A
Enable Input Voltage	V <sub>EN</sub>	-0.3~+6.0			V
Power Dissipation 1	P <sub>d1</sub>	0.63 <sup>*2</sup>			W
Power Dissipation 2	P <sub>d2</sub>	1.35 <sup>*3</sup>			W
Power Dissipation 3	P <sub>d3</sub>	1.75 <sup>*4</sup>			W
Operating Temperature Range	T <sub>opr</sub>	-10~+100			°C
Storage Temperature Range	T <sub>stg</sub>	-55~+125			°C
Maximum Junction Temperature	T <sub>jmax</sub>	+150			°C

\*1 Should not exceed P<sub>d</sub>.

\*2 Reduced by 5.04mW/°C for each increase in T<sub>a</sub> ≥ 25°C (when mounted on a 70mm × 70mm × 1.6mm glass-epoxy board, 1-layer, copper foil area : less than 0.2%)

\*3 Reduced by 10.8mW/°C for each increase in T<sub>a</sub> ≥ 25°C (when mounted on a 70mm × 70mm × 1.6mm glass-epoxy board, 1-layer, copper foil area : less than 7.0%)

\*4 Reduced by 14.0mW/°C for each increase in T<sub>a</sub> ≥ 25°C (when mounted on a 70mm × 70mm × 1.6mm glass-epoxy board, 1-layer, copper foil area : less than 65.0%)

● Operating Voltage(T<sub>a</sub>=25°C)

Parameter	Symbol	BD3522EFV		BD35221EFV		BD35222EFV		Unit
		Min.	Max.	Min.	Max.	Min.	Max.	
Input Voltage 1	V <sub>CC</sub>	4.3	5.5	4.3	5.5	4.3	5.5	V
Input Voltage 2	V <sub>IN</sub>	0.95	V <sub>CC</sub> -1 <sup>*5</sup>	1.3	V <sub>CC</sub> -1 <sup>*5</sup>	1.5	V <sub>CC</sub> -1 <sup>*5</sup>	V
Output Voltage Setting Range	V <sub>O</sub>	V <sub>FB</sub>	2.7	1.0 (fixed)		1.2 (fixed)		V
Enable Input Voltage	V <sub>EN</sub>	-0.3	5.5	-0.3	5.5	-0.3	5.5	V
NRCS Capacity	C <sub>NRCS</sub>	0.001	1	0.001	1	0.001	1	μF

\*5 V<sub>CC</sub> and V<sub>IN</sub> do not have to be implemented in the order listed.

\*This product is not designed for use in radioactive environments.

## ●Electrical Characteristics

BD3523HFN (Unless otherwise specified, Ta=25°C, VCC=5V, VEN=3V, VIN=1.7V, R1=3.9kΩ, R2=3.3kΩ)

Parameter	Symbol	Limit			Unit	Condition
		Min.	Typ.	Max.		
Bias Current	ICC	-	0.7	1.2	mA	
VCC Shutdown Mode Current	IST	-	0	10	μA	V <sub>EN</sub> =0V
Output Current	I <sub>O</sub>	2.0	-	-	A	
Feedback Voltage 1	V <sub>FB1</sub>	0.643	0.650	0.657	V	
Feedback Voltage 2	V <sub>FB2</sub>	0.637	0.650	0.663	V	T <sub>J</sub> =-10 to 100°C
Line Regulation 1	Reg.I1	-	0.1	0.5	%/V	V <sub>CC</sub> =4.3V to 5.5V
Line Regulation 2	Reg.I2	-	0.1	0.5	%/V	V <sub>IN</sub> =1.2V to 3.3V
Load Regulation	Reg.L	-	0.5	10	mV	I <sub>O</sub> =0 to 2A
Output ON Resistance	R <sub>ON</sub>	-	100	150	mΩ	I <sub>O</sub> =2A, V <sub>IN</sub> =1.2V, T <sub>J</sub> =-10 to 100°C
Standby Discharge Current	I <sub>DEN</sub>	1	-	-	mA	V <sub>EN</sub> =0V, V <sub>O</sub> =1V
[ENABLE]						
Enable Pin Input Voltage High	EN <sub>HIGH</sub>	2	-	-	V	
Enable Pin Input Voltage Low	EN <sub>LOW</sub>	0	-	0.8	V	
Enable Input Bias Current	I <sub>EN</sub>	-	7	10	μA	V <sub>EN</sub> =3V
[FEEDBACK]						
Feedback Pin Bias Current	I <sub>FB</sub>	-100	0	100	nA	
[NRCS]						
NRCS Charge Current	I <sub>NRCS</sub>	12	20	28	μA	
NRCS Standby Voltage	V <sub>STB</sub>	-	0	50	mV	V <sub>EN</sub> =0V
[UVLO]						
VCC Undervoltage Lockout Threshold Voltage	V <sub>CCUVLO</sub>	3.5	3.8	4.1	V	V <sub>CC</sub> :Sweep-up
VCC Undervoltage Lockout Hysteresis Voltage	V <sub>CCHYS</sub>	100	160	220	mV	V <sub>CC</sub> :Sweep-down
VIN Undervoltage Lockout Threshold Voltage	V <sub>INUVLO</sub>	0.55	0.65	0.75	V	V <sub>IN</sub> :Sweep-up
[SCP]						
SCP Start up Voltage	V <sub>OSCP</sub>	V <sub>O</sub> × 0.3	V <sub>O</sub> × 0.4	V <sub>O</sub> × 0.5	V	
SCP Delay Time	T <sub>SCP</sub>	45	90	200	μsec	

## ●Electrical Characteristics

BD35230HFN (Unless otherwise specified, Ta=25°C, Vcc=5V, VEN=3V, VIN=1.7V)

Parameter	Symbol	Limit			Unit	Condition
		Min.	Typ.	Max.		
Bias Current	I <sub>CC</sub>	-	0.7	1.2	mA	
VCC Shutdown Mode Current	I <sub>ST</sub>	-	0	10	μA	V <sub>EN</sub> =0V
Output Current	I <sub>O</sub>	2.0	-	-	A	
Feedback Voltage 1	V <sub>OS1</sub>	0.990	1.000	1.010	V	
Feedback Voltage 2	V <sub>OS2</sub>	0.980	1.000	1.020	V	T <sub>j</sub> =-10 to 100°C
Line Regulation 1	Reg.I1	-	0.1	0.5	%/V	V <sub>CC</sub> =4.3V to 5.5V
Line Regulation 2	Reg.I2	-	0.1	0.5	%/V	V <sub>IN</sub> =1.3V to 3.3V
Load Regulation	Reg.L	-	0.5	10	mV	I <sub>O</sub> =0 to 2A
Output ON Resistance	R <sub>ON</sub>	-	100	150	mΩ	I <sub>O</sub> =2A, V <sub>IN</sub> =1.0V, T <sub>j</sub> =-10 to 100°C
Standby Discharge Current	I <sub>DEN</sub>	1	-	-	mA	V <sub>EN</sub> =0V, V <sub>O</sub> =1V
[ENABLE]						
Enable Pin Input Voltage High	EN <sub>HIGH</sub>	2	-	-	V	
Enable Pin Input Voltage Low	EN <sub>LOW</sub>	0	-	0.8	V	
Enable Input Bias Current	I <sub>EN</sub>	-	7	10	μA	V <sub>EN</sub> =3V
[NRCS]						
NRCS Charge Current	I <sub>NRCS</sub>	12	20	28	μA	
NRCS Standby Voltage	V <sub>STB</sub>	-	0	50	mV	V <sub>EN</sub> =0V
[UVLO]						
VCC Undervoltage Lockout Threshold Voltage	V <sub>CCUVLO</sub>	3.5	3.8	4.1	V	V <sub>CC</sub> :Sweep-up
VCC Undervoltage Lockout Hysteresis Voltage	V <sub>CCHYS</sub>	100	160	220	mV	V <sub>CC</sub> :Sweep-down
VIN Undervoltage Lockout Threshold Voltage	V <sub>INUVLO</sub>	0.60	0.70	0.80	V	V <sub>IN</sub> :Sweep-up
[SCP]						
SCP Start up Voltage	V <sub>OSCP</sub>	V <sub>O</sub> × 0.3	V <sub>O</sub> × 0.4	V <sub>O</sub> × 0.5	V	
SCP Delay Time	T <sub>SCP</sub>	45	90	200	μsec	

## ●Electrical Characteristics

BD35231HFN(Unless otherwise specified, Ta=25°C, VCC=5V, VEN=3V, VIN=1.7V)

Parameter	Symbol	Limit			Unit	Condition
		Min.	Typ.	Max.		
Bias Current	I <sub>CC</sub>	-	0.7	1.2	mA	
VCC Shutdown Mode Current	I <sub>ST</sub>	-	0	10	μA	V <sub>EN</sub> =0V
Output Current	I <sub>O</sub>	2.0	-	-	A	
Feedback Voltage 1	V <sub>OS1</sub>	1.188	1.200	1.212	V	
Feedback Voltage 2	V <sub>OS2</sub>	1.176	1.200	1.224	V	T <sub>j</sub> =-10 to 100°C
Line Regulation 1	Reg.I1	-	0.1	0.5	%/V	V <sub>CC</sub> =4.3V to 5.5V
Line Regulation 2	Reg.I2	-	0.1	0.5	%/V	V <sub>IN</sub> =1.5V to 3.3V
Load Regulation	Reg.L	-	0.5	10	mV	I <sub>O</sub> =0 to 2A
Output ON Resistance	R <sub>ON</sub>	-	100	150	mΩ	I <sub>O</sub> =2A, V <sub>IN</sub> =1.2V, T <sub>j</sub> =-10 to 100°C
Standby Discharge Current	I <sub>DEN</sub>	1	-	-	mA	V <sub>EN</sub> =0V, V <sub>O</sub> =1V
[ENABLE]						
Enable PinInput Voltage High	EN <sub>HIGH</sub>	2	-	-	V	
Enable PinInput Voltage Low	EN <sub>LOW</sub>	0	-	0.8	V	
Enable Input Bias Current	I <sub>EN</sub>	-	7	10	μA	V <sub>EN</sub> =3V
[NRCS]						
NRCS Charge Current	I <sub>NRCS</sub>	12	20	28	μA	
NRCS Standby Voltage	V <sub>STB</sub>	-	0	50	mV	V <sub>EN</sub> =0V
[UVLO]						
VCC Undervoltage Lockout Threshold Voltage	V <sub>CCUVLO</sub>	3.5	3.8	4.1	V	V <sub>CC</sub> :Sweep-up
VCC Undervoltage Lockout Hysteresis Voltage	V <sub>CCHYS</sub>	100	160	220	mV	V <sub>CC</sub> :Sweep-down
VIN Undervoltage Lockout Threshold Voltage	V <sub>INUVLO</sub>	0.72	0.84	0.96	V	V <sub>IN</sub> :Sweep-up
[SCP]						
SCP Start up Voltage	V <sub>OSCP</sub>	V <sub>O</sub> × 0.3	V <sub>O</sub> × 0.4	V <sub>O</sub> × 0.5	V	
SCP Delay Time	T <sub>SCP</sub>	45	90	200	μsec	

●Reference Data  
BD35231HFN

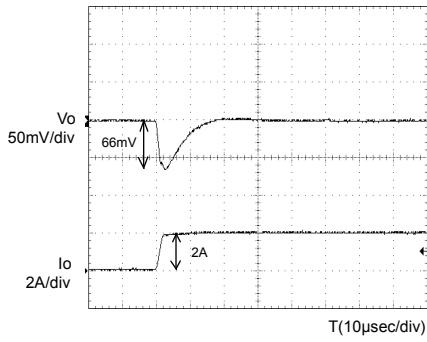


Fig.1 Transient Response  
(0A→2A)  
Co=100µF  
Cfb=1000pF

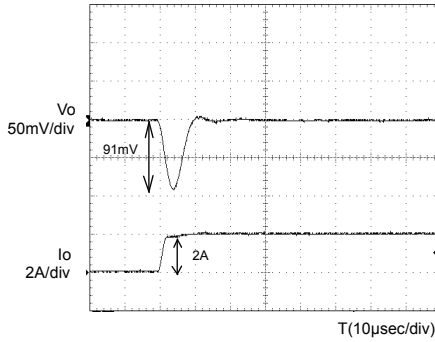


Fig.2 Transient Response  
(0A→2A)  
Co=47µF  
Cfb=1000pF

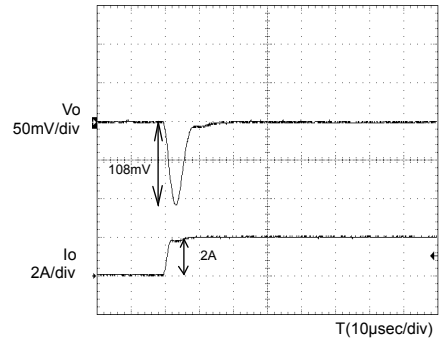


Fig.3 Transient Response  
(0A→2A)  
Co=22µF  
Cfb=1000pF

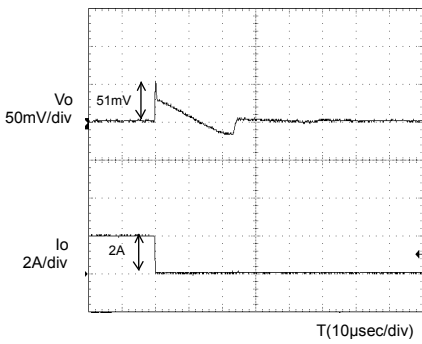


Fig.4 Transient Response  
(2A→0A)  
Co=100µF  
Cfb=1000pF

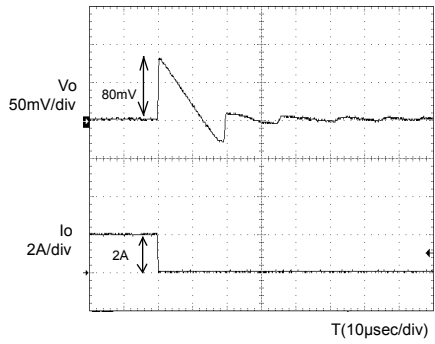


Fig.5 Transient Response  
(2A→0A)  
Co=47  
Cfb=1000pF

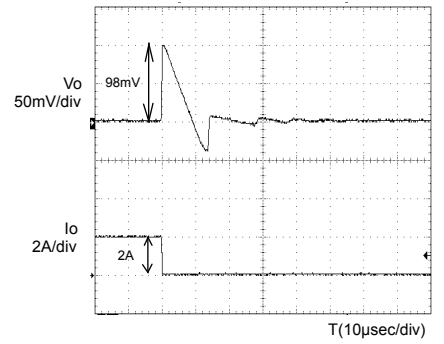


Fig.6 Transient Response  
(2A→0A)  
Co=22  
Cfb=1000pF

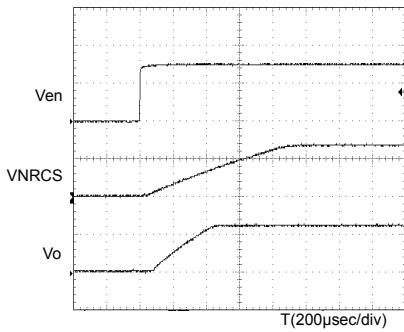


Fig.7 Waveform at output start

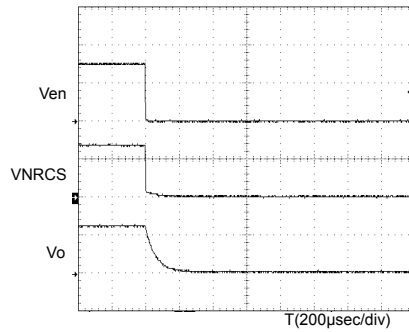


Fig.8 Waveform at output OFF

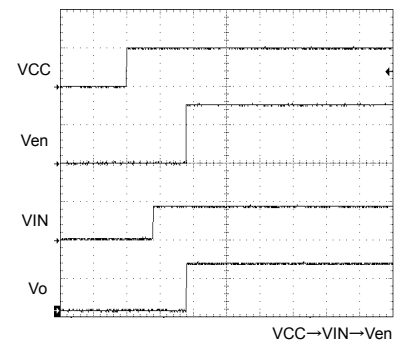
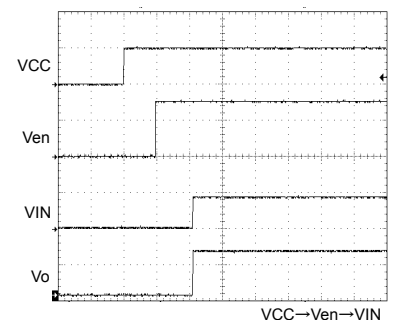
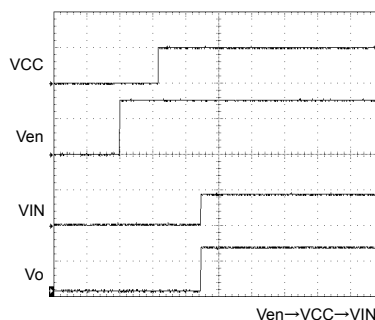
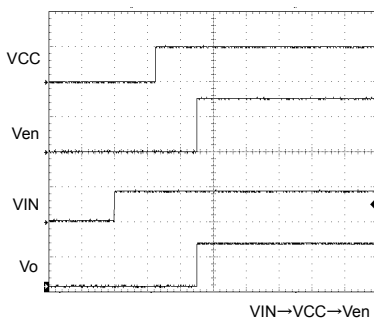


Fig.9 Input sequence



●Reference Data

BD35231HFN

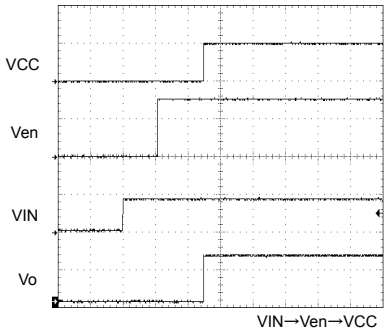


Fig. 13 Input sequence

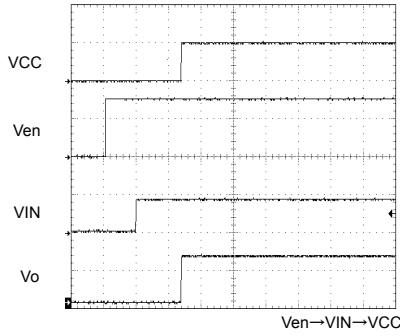


Fig. 14 Input sequence

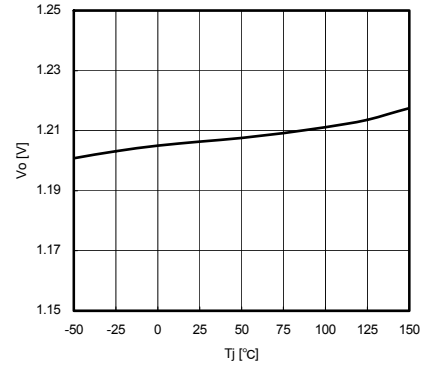


Fig. 15 Tj-Vo (Io=0mA)

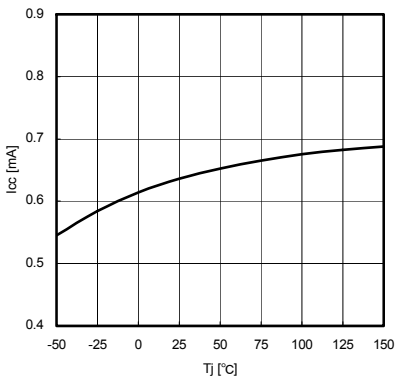


Fig. 16 Tj-ICC

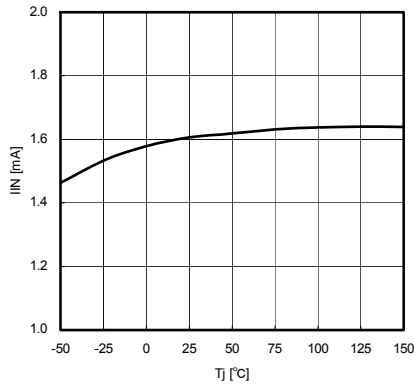


Fig. 17 Tj-IIN

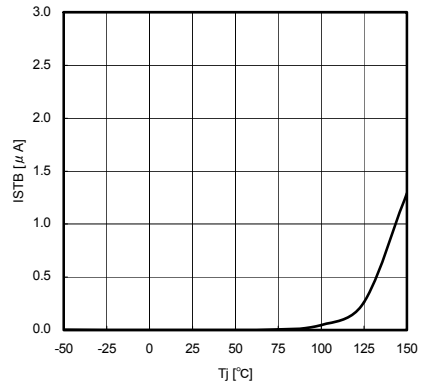


Fig. 18 Tj-ICcSTB

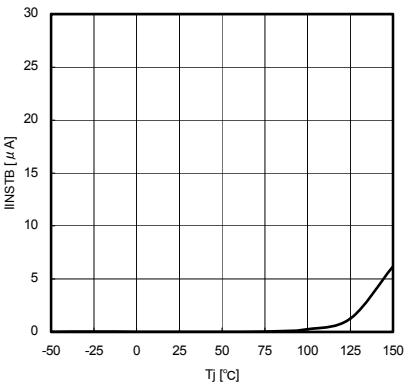


Fig. 19 Tj-IINStB

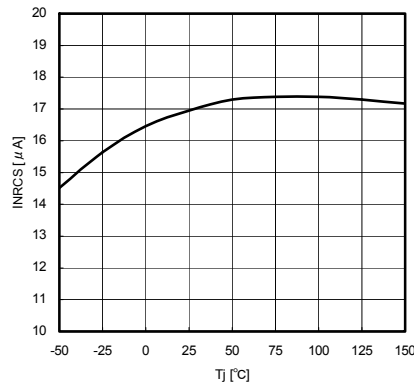


Fig. 20 Tj-NRSC

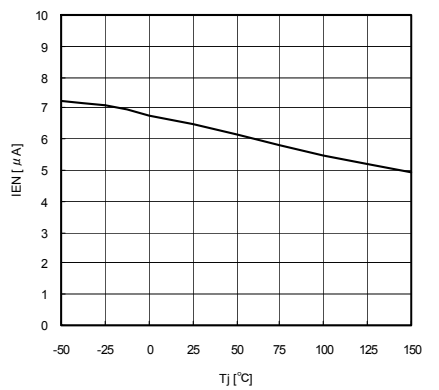


Fig. 21 Tj-IEN

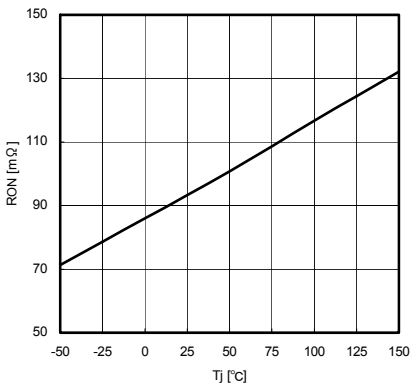


Fig. 22 Tj-ROn  
(Vcc=5V/Vo=1.2V)

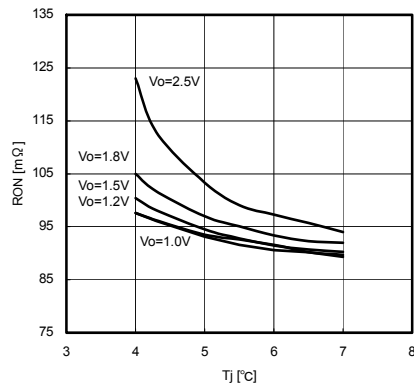
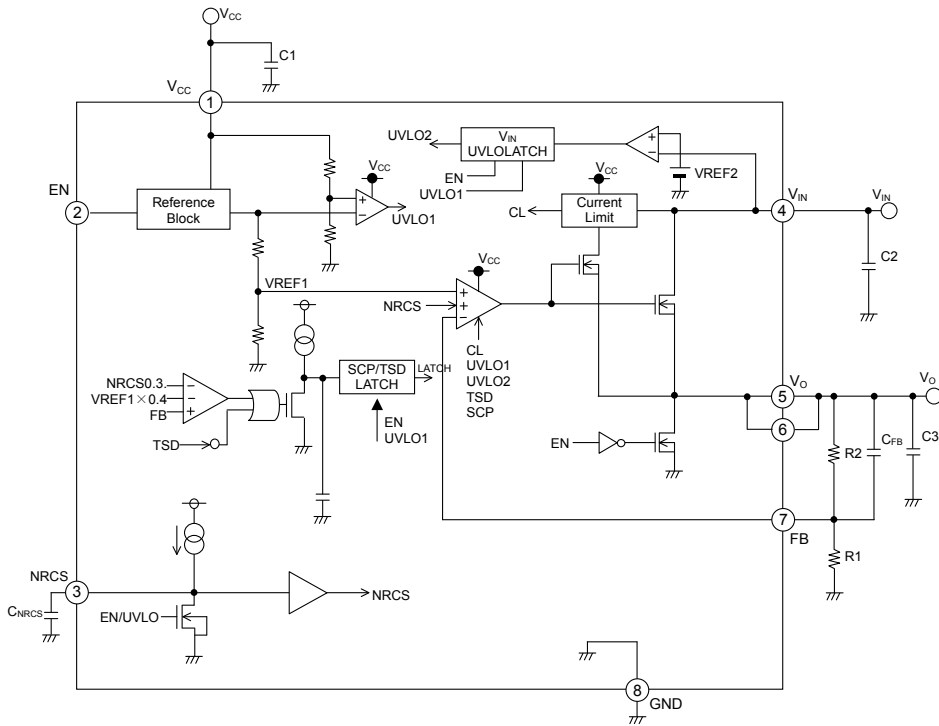
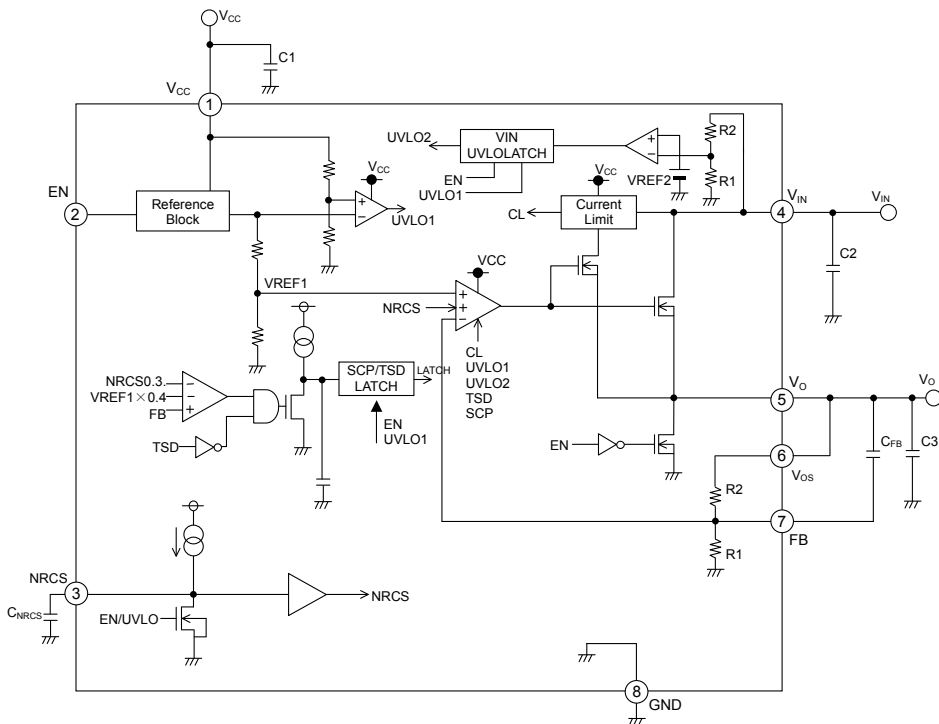


Fig. 23 Vcc-ROn

●Block Diagram  
BD3523HFN



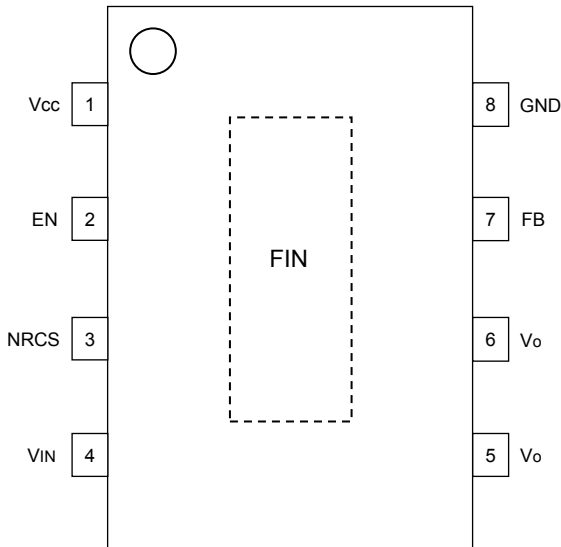
BD35230HFN/BD35231HFN



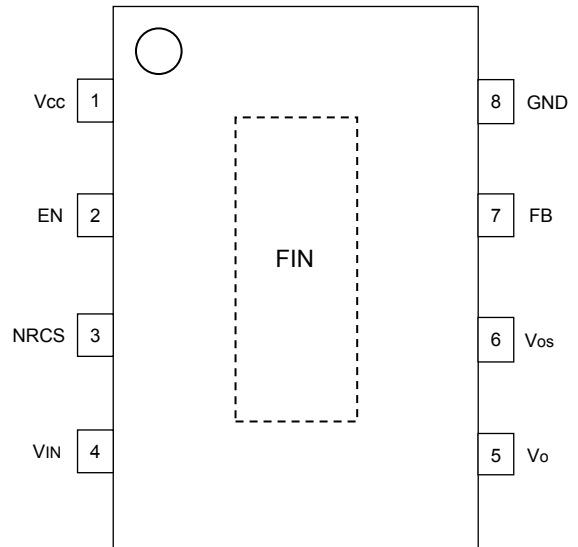


●Pin Layout

BD3523HFN



BD35230HFN/BD35231HFN



●Pin Function Table

BD3523HFN

PIN No.	PIN name	PIN Function
1	Vcc	Power Supply Pin
2	EN	Enable Input Pin
3	NRCS	In-rush Current Protection (NRCS) Capacitor Connection Pin
4	VIN	Input Voltage Pin
5	Vo	Output Voltage Pin
6	Vo	Output Voltage Pin
7	FB	Reference Voltage Feedback Pin
8	GND	Ground Pin
-	FIN	Connected to heatsink and GND

BD35230HFN/BD35231HFN

PIN No.	PIN name	PIN Function
1	Vcc	Power Supply Pin
2	EN	Enable Input Pin
3	NRCS	In-rush Current Protection (NRCS) Capacitor Connection Pin
4	VIN	Input Voltage Pin
5	Vo	Output Voltage Pin
6	Vos	Output Voltage Control Pin
7	FB	Reference Voltage Feedback Pin
8	GND	Ground Pin
-	FIN	Connected to heatsink and GND

### ● Operation of Each Block

#### • AMP

This is an error amp that compares the reference voltage (0.65V) with  $V_O$  to drive the output Nch FET ( $R_{on}=150m\Omega$ ). Frequency optimization helps to realize rapid transient response, and to support the use of ceramic capacitors on the output capacitors. AMP input voltage ranges from GND to 2.7V, while the AMP output ranges from GND to  $V_{CC}$ . When EN is OFF, or when UVLO is active, output goes LOW and the output of the NchFET switches OFF.

#### • EN

The EN block controls the regulator's ON/OFF state via the EN logic input pin. In the OFF position, circuit voltage is maintained at  $0\mu A$ , thus minimizing current consumption at standby. The FET is switched ON to enable discharge of the NRCS pin  $V_O$ , thereby draining the excess charge and preventing the IC on the load side from malfunctioning. Since no electrical connection is required (e.g. between the  $V_{CC}$  pin and the ESD prevention diode), module operation is independent of the input sequence.

#### • $V_{CC}UVLO$

To prevent malfunctions that can occur during a momentary decrease in  $V_{CC}$ , the UVLO circuit switches the output OFF, and (like the EN block) discharges NRCS and  $V_O$ . Once the UVLO threshold voltage (TYP3.80V) is reached, the power-on reset is triggered and output continues.

#### • $V_{IN}UVLO$

When  $V_D$  voltage exceeds the threshold voltage,  $V_{DUVLO}$  becomes active. Once active, the status of output voltage remains ON even if  $V_D$  voltage drops. (When  $V_{IN}$  voltage drops, SCP engages and output switches OFF.)

Unlike EN and  $V_{CC}$ , it is effective at output startup.  $V_{DUVLO}$  can be restored either by reconnecting the EN pin or  $V_{CC}$  pin.

#### • CURRENT LIMIT

When output is ON, the current limit function monitors the internal IC output current against the parameter value. When current exceeds this level, the current limit module lowers the output current to protect the load IC. When the overcurrent state is eliminated, output voltage is restored to the parameter value. However, when output voltage falls to or below the SCP startup voltage, the SCP function becomes active and the output switches OFF.

#### • NRCS (Non Rush Current on Start-up)

The soft start function enabled by connecting an external capacitor between the NRCS pin and ground. Output ramp-up can be set for any period up to the time the NRCS pin reaches  $V_{FB}$  (0.65V). During startup, the NRCS pin serves as a  $20\mu A$  (TYP) constant current source to charge the external capacitor. Output start time is calculated via the formula below.

$$T_{NRCS}(\text{typ.}) = \frac{C_{NRCS} \times V_{FB}}{I_{NRCS}}$$

#### • TSD (Thermal Shut down)

The shutdown (TSD) circuit automatically is latched OFF when the chip temperature exceeds the threshold temperature after the programmed time period elapses, thus serving to protect the IC against "thermal runaway" and heat damage. Because the TSD circuit is intended to shut down the IC only in the presence of extreme heat, it is crucial that the  $T_j$  (max) parameter not be exceeded in the thermal design, in order to avoid potential problems with the TSD.

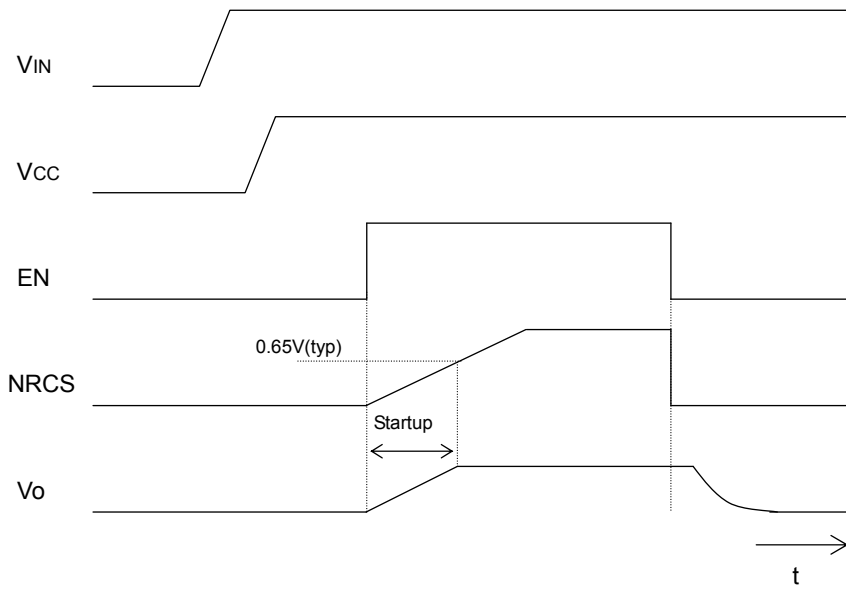
#### • $V_{IN}$

The  $V_{IN}$  line acts as the major current supply line, and is connected to the output NchFET drain. Since no electrical connection (such as between the  $V_{CC}$  pin and the ESD protection diode) is necessary,  $V_{IN}$  operates independent of the input sequence. However, since an output NchFET body diode exists between  $V_{IN}$  and  $V_O$ , a  $V_{IN}-V_O$  electric (diode) connection is present. Note, therefore, that when output is switched ON or OFF, reverse current may flow to  $V_{IN}$  from  $V_O$ .

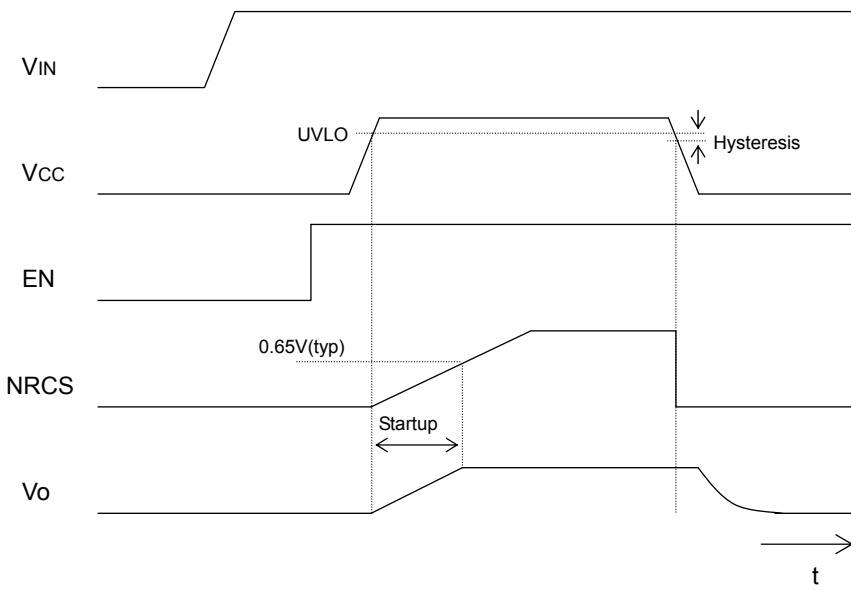
#### • SCP

When output voltage ( $V_O$ ) drops, the IC assumes that  $V_O$  pin is shorted to GND and switches the output voltage OFF. After the GND short has been detected and the programmed delay time has elapsed, output is latched OFF. It is also effective during output startup. SCP can be cleared either by reconnecting the EN pin or  $V_{CC}$  pin.

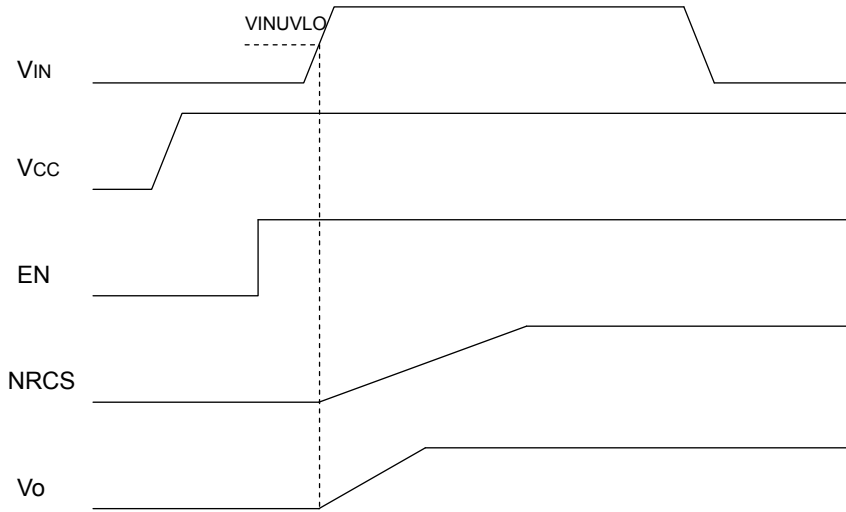
● Timing Chart  
EN ON/OFF



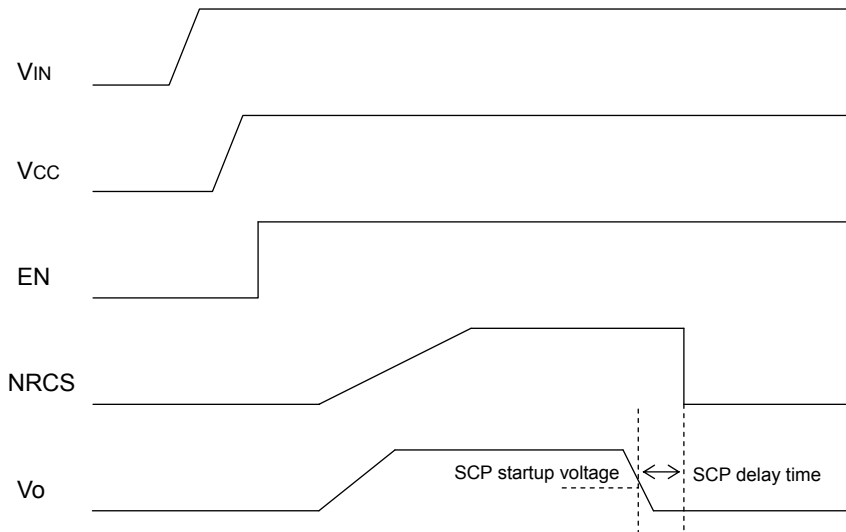
VCC ON/OFF



● Timing Chart  
VIN ON

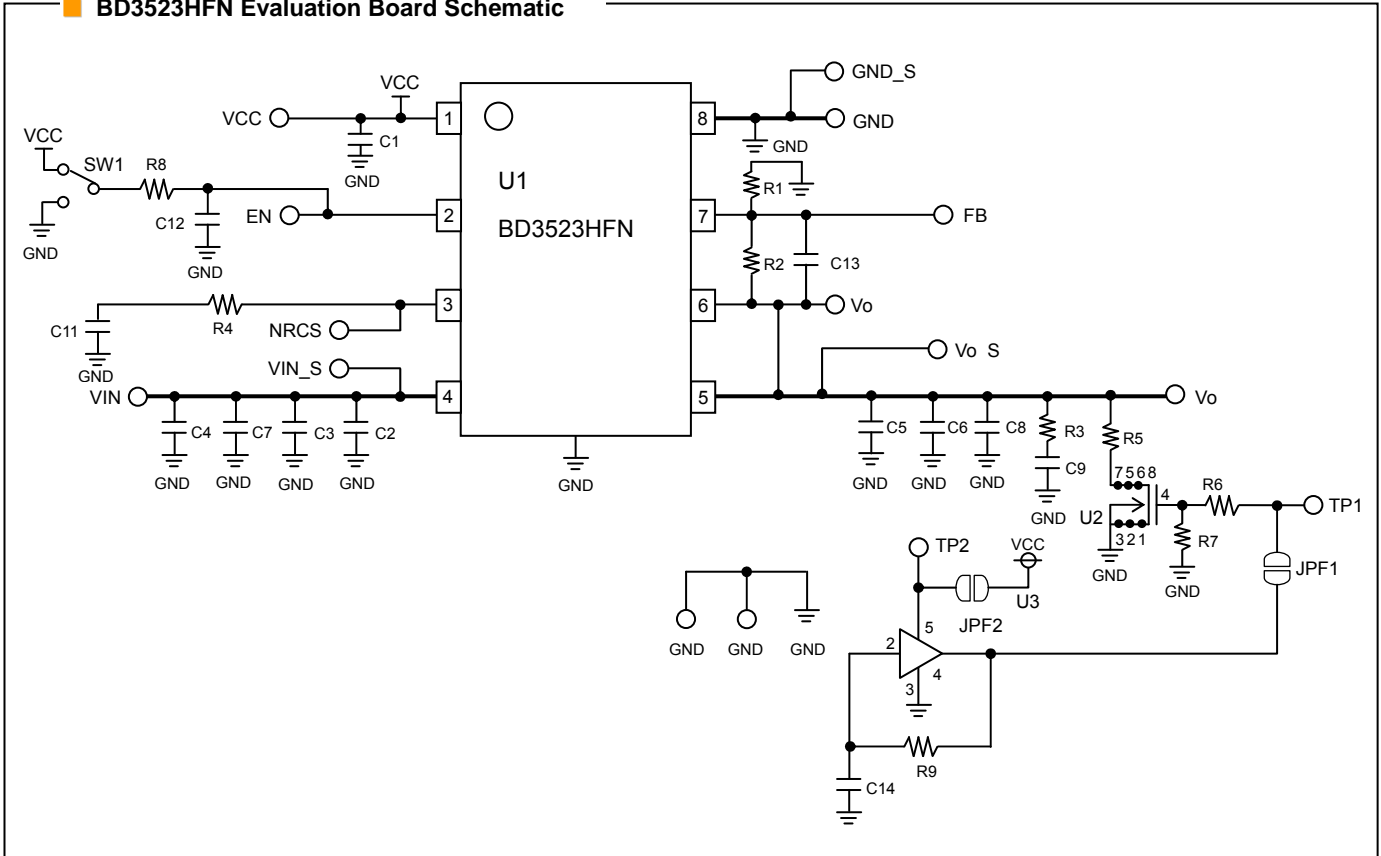


SCP OFF



● Evaluation Board

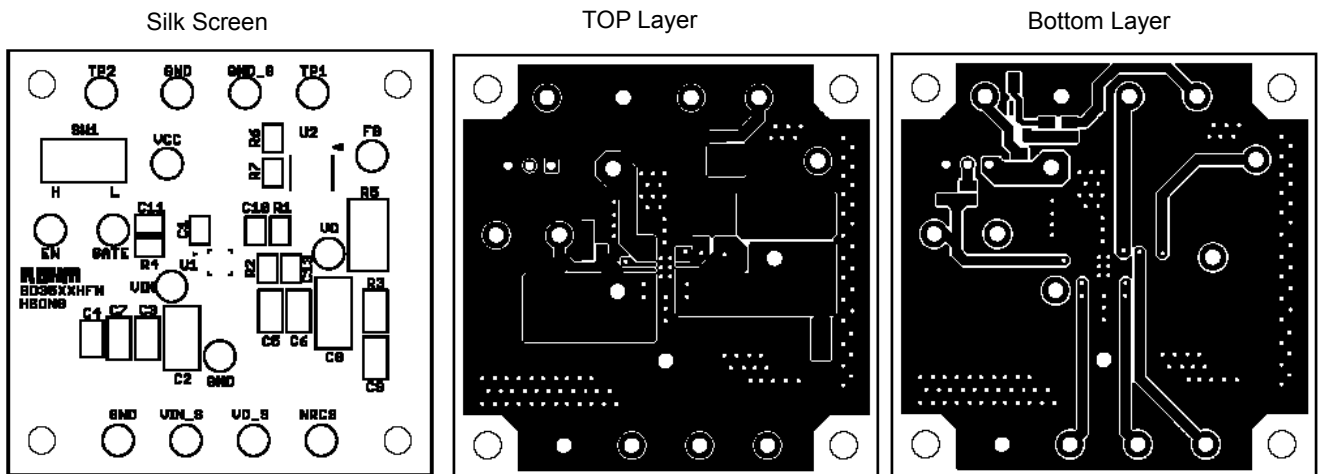
■ BD3523HFN Evaluation Board Schematic



■ BD3523HFN Evaluation Board List

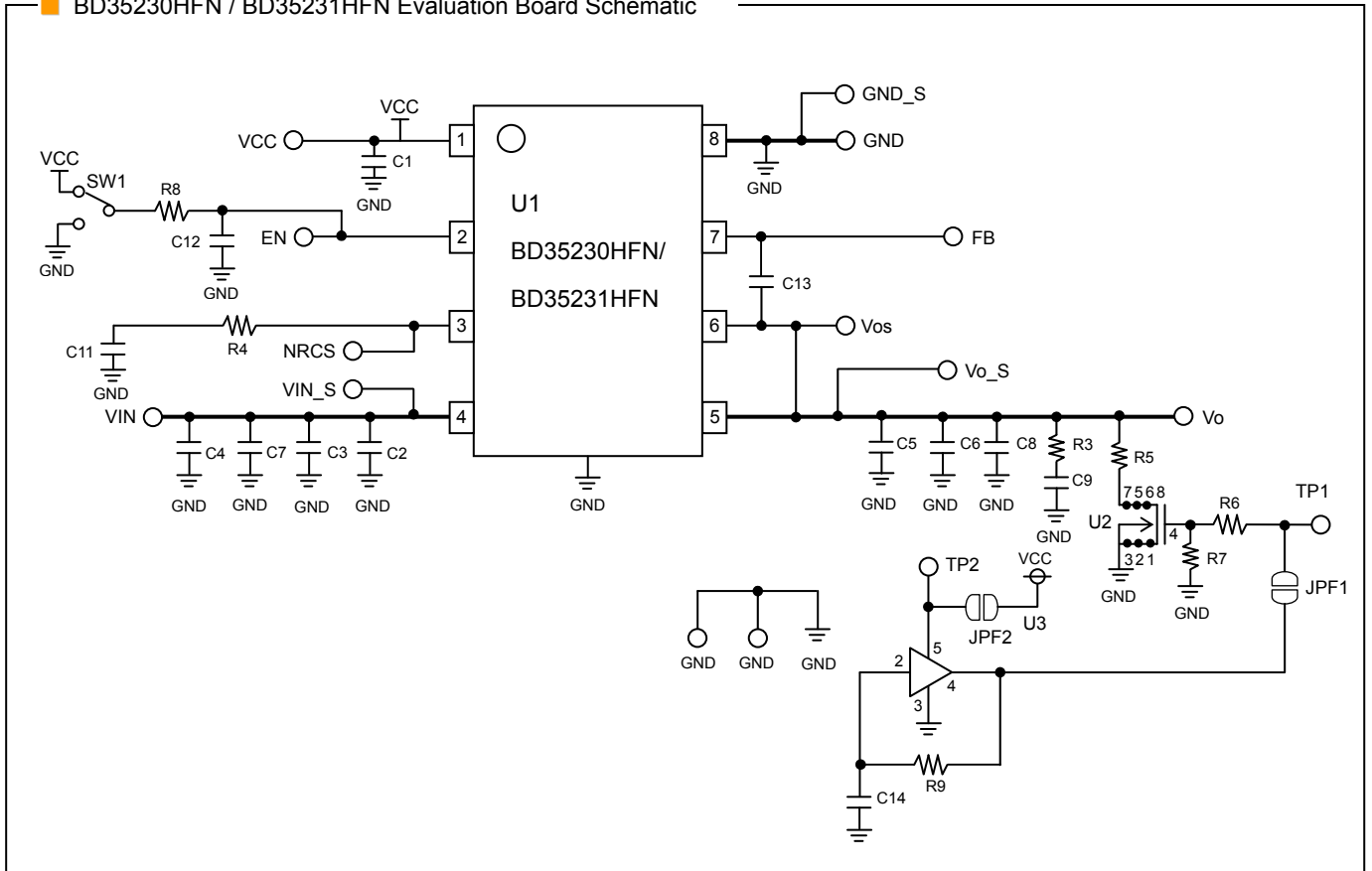
Component	Rating	Manufacturer	Product Name	Component	Rating	Manufacturer	Product Name
U1	-	ROHM	BD3523XHFN	C13	1000pF	MURATA	GRM188B11H102KD
C1	1μF	MURATA	GRM188B11A105KD	R1	3.9kΩ	ROHM	MCR03EZPF3901
C3	10μF	KYOCERA	CM32X5R106M10A	R2	3.3kΩ	ROHM	MCR03EAPF3301
C5	22μF	KYOCERA	CM32X5R226M10A	R4	0Ω	-	Jumper
C11	0.01μF	MURATA	GRM188B11H103KD	R8	0Ω	-	Jumper

■ BD3523HFN Evaluation Board Layout  
(2nd layer and 3rd layer are GND line.)



● Evaluation Board

■ BD35230HFN / BD35231HFN Evaluation Board Schematic

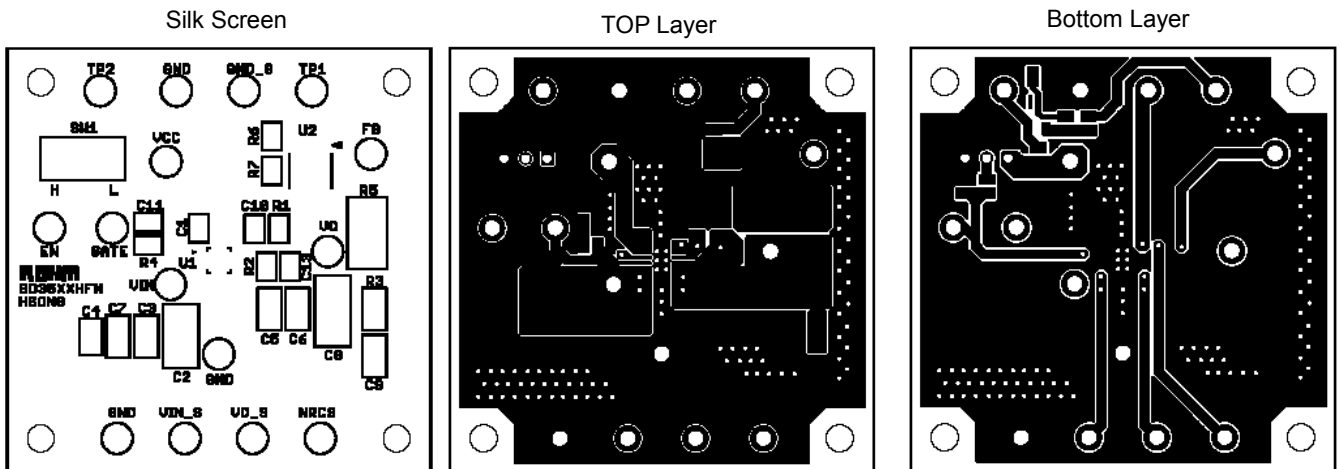


■ BD35230HFN / BD35231HFN Evaluation Board List

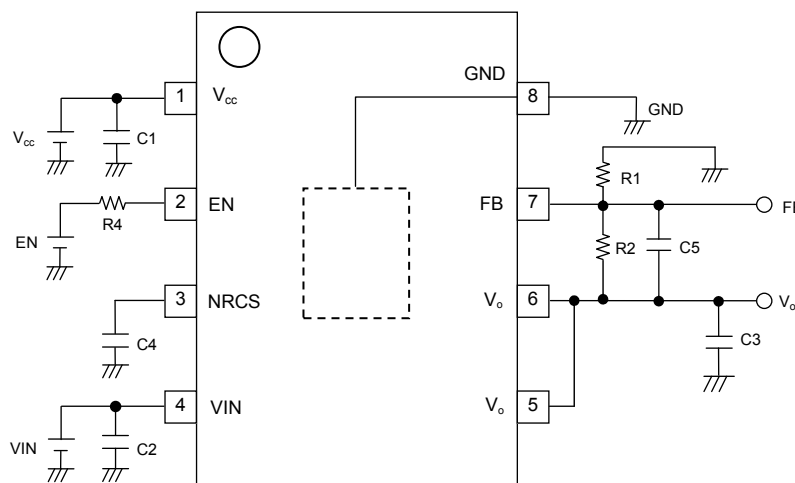
Component	Rating	Manufacturer	Product Name
U1	-	ROHM	BD3523XHFN
C1	1 $\mu$ F	MURATA	GRM188B11A105KD
C3	10 $\mu$ F	KYOCERA	CM32X5R106M10A
C5	22 $\mu$ F	KYOCERA	CM32X5R226M10A

Component	Rating	Manufacturer	Product Name
C11	0.01 $\mu$ F	MURATA	GRM188B11H103KD
C13	1000pF	MURATA	GRM188B11H102KD
R4	0 $\Omega$	-	Jumper
R8	0 $\Omega$	-	Jumper

■ BD35230HFN / BD35231HFN Evaluation Board Layout  
(2nd layer and 3rd layer are GND line.)

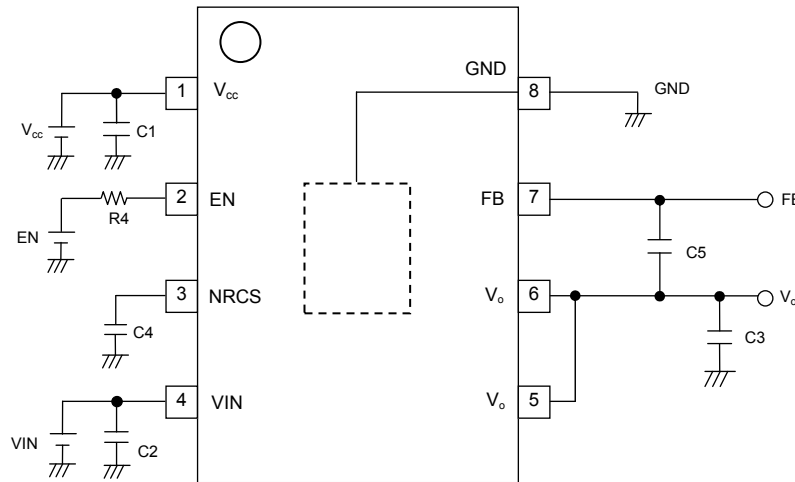


●Recommended Circuit Example (BD3523HFN)



Component	Recommended Value	Programming Notes and Precautions
R1/R2	3.3k /3.9k	IC output voltage can be set with a configuration formula $V_{FB} \times (R1+R2)/R1$ using the values for the internal reference output voltage ( $V_{FB}$ ) and the output voltage resistors ( $R1$ , $R2$ ). Select resistance values that will avoid the impact of the FB bias current ( $\pm 100nA$ ). The recommended total resistance value is 10k $\Omega$ .
C3	22 $\mu F$	To assure output voltage stability, please be certain the output capacitors are connected between Vo pin and GND. Output capacitors play a role in loop gain phase compensation and in mitigating output fluctuation during rapid changes in load level. Insufficient capacitance may cause oscillation, while high equivalent series resistance (ESR) will exacerbate output voltage fluctuation under rapid load change conditions. While a 22 $\mu F$ ceramic capacitor is recommended, actual stability is highly dependent on temperature and load conditions. Also, note that connecting different types of capacitors in series may result in insufficient total phase compensation, thus causing oscillation. In light of this information, please confirm operation across a variety of temperature and load conditions.
C1/ C2	1 $\mu F$ /10 $\mu F$	Input capacitors reduce the output impedance of the voltage supply source connected to the ( $V_{CC}$ , $V_{IN}$ ) input pins. If the impedance of this power supply were to increase, input voltage ( $V_{CC}$ , $V_{IN}$ ) could become unstable, leading to oscillation or lowered ripple rejection function. While a low-ESR 1 $\mu F$ /10 $\mu F$ capacitor with minimal susceptibility to temperature is recommended, stability is highly dependent on the input power supply characteristics and the substrate wiring pattern. In light of this information, please confirm operation across a variety of temperature and load conditions.
C4	0.01 $\mu F$	The Non Rush Current on Startup (NRCS) function is built into the IC to prevent rush current from going through the load ( $V_{IN}$ to $V_O$ ) and impacting output capacitors at power supply start-up. Constant current comes from the NRCS pin when EN is HIGH or the UVLO function is deactivated. The temporary reference voltage is proportionate to time, due to the current charge of the NRCS pin capacitor, and output voltage start-up is proportionate to this reference voltage. Capacitors with low susceptibility to temperature are recommended, in order to assure a stable soft-start time.
C5	-	This component is employed when the C3 capacitor causes, or may cause, oscillation. It provides more precise internal phase correction.
R4	Several k $\Omega$ ~several 10k $\Omega$	It is recommended that a resistance (several k $\Omega$ to several 10k $\Omega$ ) be put in R4, in case negative voltage is applied in EN pin.

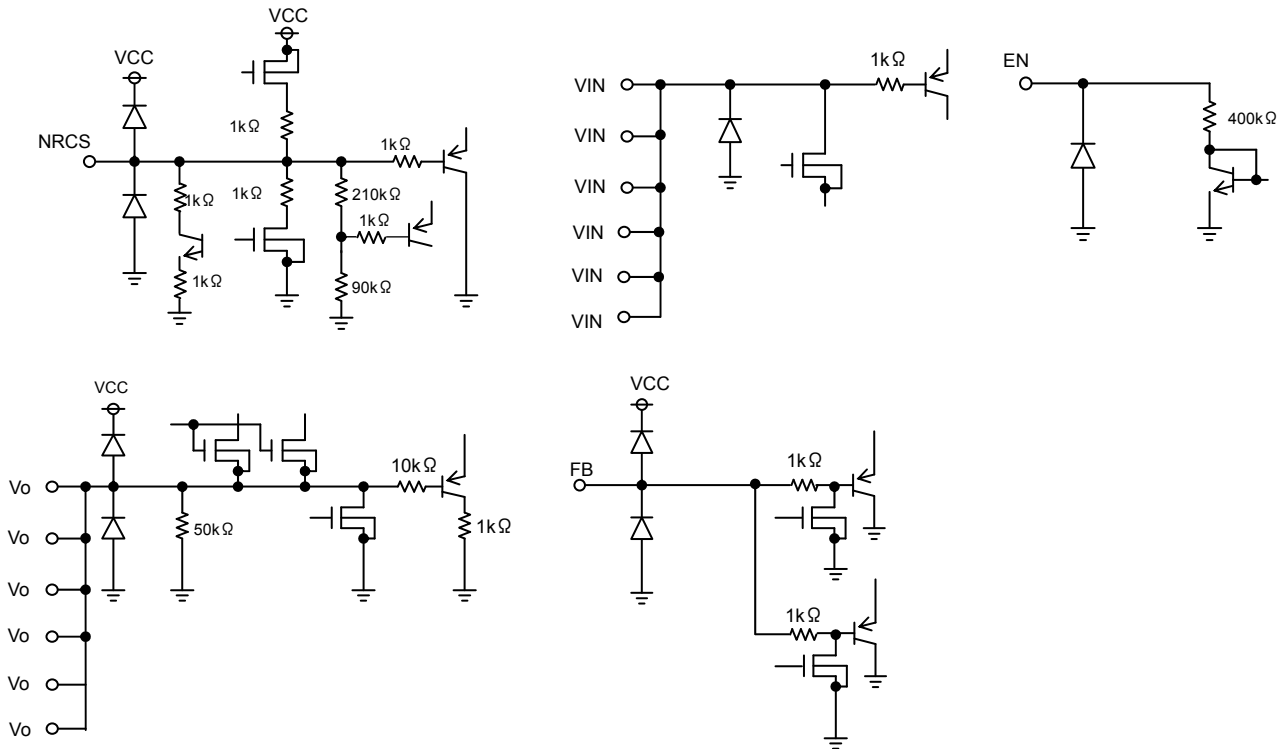
●Recommended Circuit Example (BD35230HFN/BD35231HFN)



Component	Recommended Value	Programming Notes and Precautions
C3	22μF	To assure output voltage stability, please be certain the output capacitors are connected between Vo pin and GND. Output capacitors play a role in loop gain phase compensation and in mitigating output fluctuation during rapid changes in load level. Insufficient capacitance may cause oscillation, while high equivalent series resistance (ESR) will exacerbate output voltage fluctuation under rapid load change conditions. While a 22μF ceramic capacitor is recommended, actual stability is highly dependent on temperature and load conditions. Also, note that connecting different types of capacitors in series may result in insufficient total phase compensation, thus causing oscillation. In light of this information, please confirm operation across a variety of temperature and load conditions.
C1/C2	1μF/10μF	Input capacitors reduce the output impedance of the voltage supply source connected to the (VCC, VIN) input pins. If the impedance of this power supply were to increase, input voltage (VCC, VIN) could become unstable, leading to oscillation or lowered ripple rejection function. While a low-ESR 1μF/10μF capacitor with minimal susceptibility to temperature is recommended, stability is highly dependent on the input power supply characteristics and the substrate wiring pattern. In light of this information, please confirm operation across a variety of temperature and load conditions.
C4	0.01μF	The Non Rush Current on Startup (NRCS) function is built into the IC to prevent rush current from going through the load (VIN to Vo) and impacting output capacitors at power supply start-up. Constant current comes from the NRCS pin when EN is HIGH or the UVLO function is deactivated. The temporary reference voltage is proportionate to time, due to the current charge of the NRCS pin capacitor, and output voltage start-up is proportionate to this reference voltage. Capacitors with low susceptibility to temperature are recommended, in order to assure a stable soft-start time.
C5	1000pF	This component is employed when the C3 capacitor causes, or may cause, oscillation. It provides more precise internal phase correction.



### ● Input-Output Equivalent Circuit Diagram (BD3523HFN)



### ● Operation Notes

#### 1. Absolute maximum ratings

An excess in the absolute maximum ratings, such as supply voltage, temperature range of operating conditions, etc., can break down the devices, thus making impossible to identify breaking mode, such as a short circuit or an open circuit. If any over rated values will expect to exceed the absolute maximum ratings, consider adding circuit protection devices, such as fuses.

#### 2. Connecting the power supply connector backward

Connecting of the power supply in reverse polarity can damage IC. Take precautions when connecting the power supply lines. An external direction diode can be added.

#### 3. Power supply lines

Design PCB layout pattern to provide low impedance GND and supply lines. To obtain a low noise ground and supply line, separate the ground section and supply lines of the digital and analog blocks. Furthermore, for all power supply terminals to ICs, connect a capacitor between the power supply and the GND terminal. When applying electrolytic capacitors in the circuit, not that capacitance characteristic values are reduced at low temperatures.

#### 4. GND voltage

The potential of GND pin must be minimum potential in all operating conditions.

#### 5. Thermal design

Use a thermal design that allows for a sufficient margin in light of the power dissipation (Pd) in actual operating conditions.

#### 6. Inter-pin shorts and mounting errors

Use caution when positioning the IC for mounting on printed circuit boards. The IC may be damaged if there is any connection error or if pins are shorted together.

#### 7. Actions in strong electromagnetic field

Use caution when using the IC in the presence of a strong electromagnetic field as doing so may cause the IC to malfunction.

8. ASO

When using the IC, set the output transistor so that it does not exceed absolute maximum ratings or ASO.

9. Thermal shutdown circuit

The IC incorporates a built-in thermal shutdown circuit (TSD circuit). The thermal shutdown circuit (TSD circuit) is designed only to shut the IC off to prevent thermal runaway. It is not designed to protect the IC or guarantee its operation. Do not continue to use the IC after operating this circuit or use the IC in an environment where the operation of this circuit is assumed.

	TSD on temperature [°C] (typ.)
BD3523HFN/BD35230HFN/BD35231HFN	175

10. Testing on application boards

When testing the IC on an application board, connecting a capacitor to a pin with low impedance subjects the IC to stress. Always discharge capacitors after each process or step. Always turn the IC's power supply off before connecting it to or removing it from a jig or fixture during the inspection process. Ground the IC during assembly steps as an antistatic measure. Use similar precaution when transporting or storing the IC.

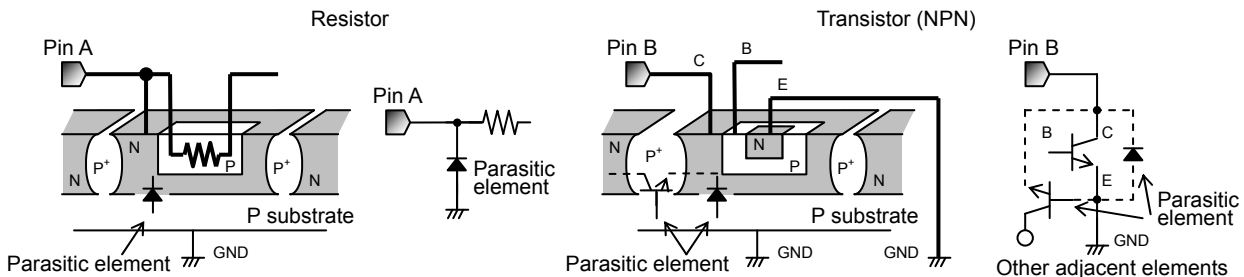
11. Regarding input pin of the IC

This monolithic IC contains P+ isolation and P substrate layers between adjacent elements in order to keep them isolated. P-N junctions are formed at the intersection of these P layers with the N layers of other elements, creating a parasitic diode or transistor. For example, the relation between each potential is as follows:

When GND > Pin A and GND > Pin B, the P-N junction operates as a parasitic diode.

When GND > Pin B, the P-N junction operates as a parasitic transistor.

Parasitic diodes can occur inevitable in the structure of the IC. The operation of parasitic diodes can result in mutual interference among circuits, operational faults, or physical damage. Accordingly, methods by which parasitic diodes operate, such as applying a voltage that is lower than the GND (P substrate) voltage to an input pin, should not be used.



Example of IC structure

12. Ground Wiring Pattern.

When using both small signal and large current GND patterns, it is recommended to isolate the two ground patterns, placing a single ground point at the ground potential of application so that the pattern wiring resistance and voltage variations caused by large currents do not cause variations in the small signal ground voltage. Be careful not to change the GND wiring pattern of any external components, either.

●Heat Loss

Thermal design should allow operation within the following conditions. Note that the temperatures listed are the allowed temperature limits, and thermal design should allow sufficient margin from the limits.

1. Ambient temperature Ta can be no higher than 100°C.
2. Chip junction temperature (Tj) can be no higher than 150°C.

Chip junction temperature can be determined as follows:

① Calculation based on ambient temperature (Ta)

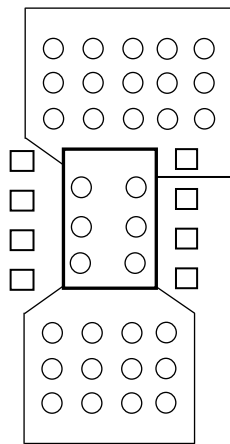
$$T_j = T_a + \theta_{j-a} \times W$$

<Reference values>

$\theta_{j-a}$ : HSON8	198.4°C/W	1-layer substrate (copper foil area : below 0.2%)
	92.4°C/W	1-layer substrate (copper foil area : 7%)
	71.4°C/W	2-layer substrate (copper foil area : 65%)

Substrate size: 70 × 70 × 1.6mm<sup>3</sup> (substrate with thermal via)

It is recommended to layout the VIA for heat radiation in the GND pattern of reverse (of IC) when there is the GND pattern in the inner layer (in using multi-layer substrate). This package is so small (size: 2.9mm × 3.0mm) that it is not available to layout the VIA in the bottom of IC. Spreading the pattern and being increased the number of VIA like the figure below enable to get the superior heat radiation characteristic. (This figure is the image. It is recommended that the VIA size and the number is designed suitable for the actual situation.)



Most of the heat loss that occurs in the BD3523XHFN is generated from the output Nch FET. Power loss is determined by the total VIN-Vo voltage and output current. Be sure to confirm the system input and output voltage and the output current conditions in relation to the heat dissipation characteristics of the VIN and Vo in the design. Bearing in mind that heat dissipation may vary substantially depending on the substrate employed (due to the power package incorporated in the BD3523XHFN) make certain to factor conditions such as substrate size into the thermal design.

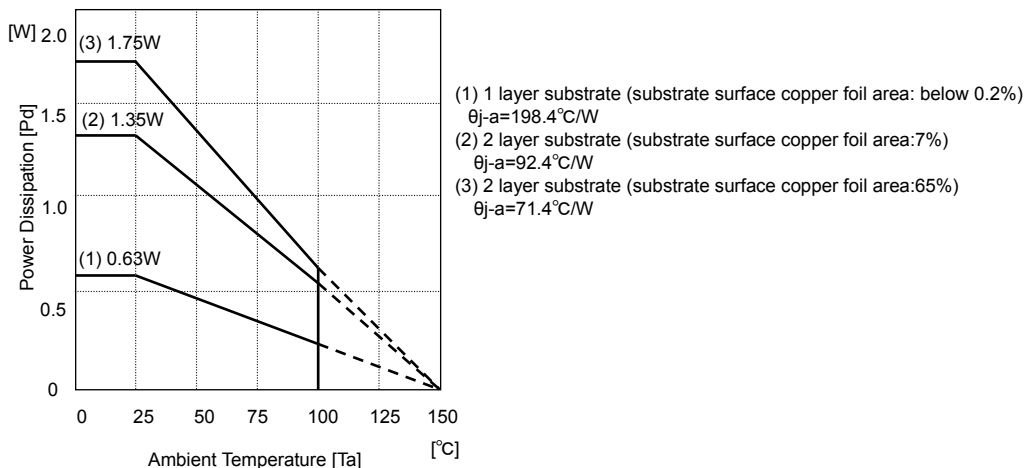
$$\text{Power consumption (W)} = \{ \text{Input voltage (VIN)} - \text{Output voltage (Vo)} \} \times I_o(\text{Ave})$$

Example) Where VIN=1.7V, Vo=1.2V, Io(Ave) = 2A,

$$\begin{aligned} \text{Power consumption (W)} &= \{ 1.7(\text{V}) - 1.2(\text{V}) \} \times 2.0(\text{A}) \\ &= 1.0(\text{W}) \end{aligned}$$

●Heat Dissipation Characteristics

◎HSON8



●Ordering part number

B	D
---	---

Part No.

3	5	2	3
---	---	---	---

Part No.  
3523  
35230  
35231

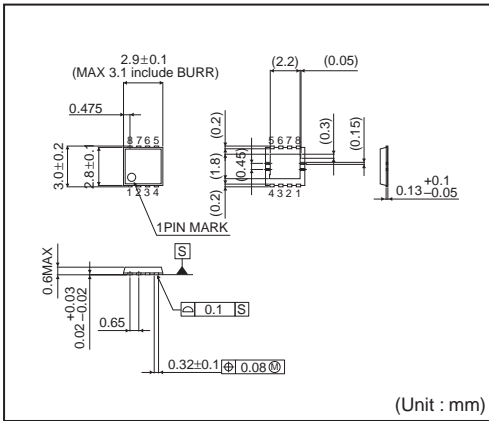
H	F	N
---	---	---

Package  
HFN : HSON8

T	R
---	---

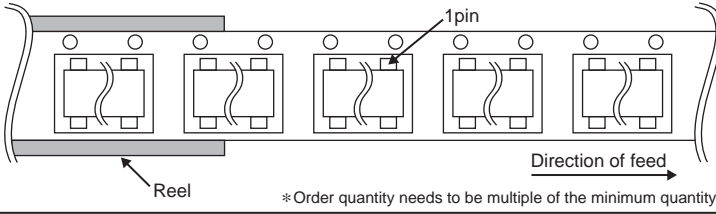
Packaging and forming specification  
TR: Embossed tape and reel

HSON8



<Tape and Reel information>

Tape	Embossed carrier tape
Quantity	3000pcs
Direction of feed	TR ( The direction is the 1pin of product is at the upper right when you hold reel on the left hand and you pull out the tape on the right hand )



# Notice

## Precaution on using ROHM Products

- Our Products are designed and manufactured for application in ordinary electronic equipments (such as AV equipment, OA equipment, telecommunication equipment, home electronic appliances, amusement equipment, etc.). If you intend to use our Products in devices requiring extremely high reliability (such as medical equipment <sup>(Note 1)</sup>, transport equipment, traffic equipment, aircraft/spacecraft, nuclear power controllers, fuel controllers, car equipment including car accessories, safety devices, etc.) and whose malfunction or failure may cause loss of human life, bodily injury or serious damage to property ("Specific Applications"), please consult with the ROHM sales representative in advance. Unless otherwise agreed in writing by ROHM in advance, ROHM shall not be in any way responsible or liable for any damages, expenses or losses incurred by you or third parties arising from the use of any ROHM's Products for Specific Applications.

(Note1) Medical Equipment Classification of the Specific Applications

JAPAN	USA	EU	CHINA
CLASS III	CLASS III	CLASS II b	CLASS III
CLASS IV		CLASS III	

- ROHM designs and manufactures its Products subject to strict quality control system. However, semiconductor products can fail or malfunction at a certain rate. Please be sure to implement, at your own responsibilities, adequate safety measures including but not limited to fail-safe design against the physical injury, damage to any property, which a failure or malfunction of our Products may cause. The following are examples of safety measures:
  - Installation of protection circuits or other protective devices to improve system safety
  - Installation of redundant circuits to reduce the impact of single or multiple circuit failure
- Our Products are designed and manufactured for use under standard conditions and not under any special or extraordinary environments or conditions, as exemplified below. Accordingly, ROHM shall not be in any way responsible or liable for any damages, expenses or losses arising from the use of any ROHM's Products under any special or extraordinary environments or conditions. If you intend to use our Products under any special or extraordinary environments or conditions (as exemplified below), your independent verification and confirmation of product performance, reliability, etc. prior to use, must be necessary:
  - Use of our Products in any types of liquid, including water, oils, chemicals, and organic solvents
  - Use of our Products outdoors or in places where the Products are exposed to direct sunlight or dust
  - Use of our Products in places where the Products are exposed to sea wind or corrosive gases, including Cl<sub>2</sub>, H<sub>2</sub>S, NH<sub>3</sub>, SO<sub>2</sub>, and NO<sub>2</sub>
  - Use of our Products in places where the Products are exposed to static electricity or electromagnetic waves
  - Use of our Products in proximity to heat-producing components, plastic cords, or other flammable items
  - Sealing or coating our Products with resin or other coating materials
  - Use of our Products without cleaning residue of flux (even if you use no-clean type fluxes, cleaning residue of flux is recommended); or Washing our Products by using water or water-soluble cleaning agents for cleaning residue after soldering
  - Use of the Products in places subject to dew condensation
- The Products are not subject to radiation-proof design.
- Please verify and confirm characteristics of the final or mounted products in using the Products.
- In particular, if a transient load (a large amount of load applied in a short period of time, such as pulse. is applied, confirmation of performance characteristics after on-board mounting is strongly recommended. Avoid applying power exceeding normal rated power; exceeding the power rating under steady-state loading condition may negatively affect product performance and reliability.
- De-rate Power Dissipation (Pd) depending on Ambient temperature (Ta). When used in sealed area, confirm the actual ambient temperature.
- Confirm that operation temperature is within the specified range described in the product specification.
- ROHM shall not be in any way responsible or liable for failure induced under deviant condition from what is defined in this document.

## Precaution for Mounting / Circuit board design

- When a highly active halogenous (chlorine, bromine, etc.) flux is used, the residue of flux may negatively affect product performance and reliability.
- In principle, the reflow soldering method must be used on a surface-mount products, the flow soldering method must be used on a through hole mount products. If the flow soldering method is preferred on a surface-mount products, please consult with the ROHM representative in advance.

For details, please refer to ROHM Mounting specification

**Precautions Regarding Application Examples and External Circuits**

1. If change is made to the constant of an external circuit, please allow a sufficient margin considering variations of the characteristics of the Products and external components, including transient characteristics, as well as static characteristics.
2. You agree that application notes, reference designs, and associated data and information contained in this document are presented only as guidance for Products use. Therefore, in case you use such information, you are solely responsible for it and you must exercise your own independent verification and judgment in the use of such information contained in this document. ROHM shall not be in any way responsible or liable for any damages, expenses or losses incurred by you or third parties arising from the use of such information.

**Precaution for Electrostatic**

This Product is electrostatic sensitive product, which may be damaged due to electrostatic discharge. Please take proper caution in your manufacturing process and storage so that voltage exceeding the Products maximum rating will not be applied to Products. Please take special care under dry condition (e.g. Grounding of human body / equipment / solder iron, isolation from charged objects, setting of Ionizer, friction prevention and temperature / humidity control).

**Precaution for Storage / Transportation**

1. Product performance and soldered connections may deteriorate if the Products are stored in the places where:
  - [a] the Products are exposed to sea winds or corrosive gases, including Cl<sub>2</sub>, H<sub>2</sub>S, NH<sub>3</sub>, SO<sub>2</sub>, and NO<sub>2</sub>
  - [b] the temperature or humidity exceeds those recommended by ROHM
  - [c] the Products are exposed to direct sunshine or condensation
  - [d] the Products are exposed to high Electrostatic
2. Even under ROHM recommended storage condition, solderability of products out of recommended storage time period may be degraded. It is strongly recommended to confirm solderability before using Products of which storage time is exceeding the recommended storage time period.
3. Store / transport cartons in the correct direction, which is indicated on a carton with a symbol. Otherwise bent leads may occur due to excessive stress applied when dropping of a carton.
4. Use Products within the specified time after opening a humidity barrier bag. Baking is required before using Products of which storage time is exceeding the recommended storage time period.

**Precaution for Product Label**

QR code printed on ROHM Products label is for ROHM's internal use only.

**Precaution for Disposition**

When disposing Products please dispose them properly using an authorized industry waste company.

**Precaution for Foreign Exchange and Foreign Trade act**

Since our Products might fall under controlled goods prescribed by the applicable foreign exchange and foreign trade act, please consult with ROHM representative in case of export.

**Precaution Regarding Intellectual Property Rights**

1. All information and data including but not limited to application example contained in this document is for reference only. ROHM does not warrant that foregoing information or data will not infringe any intellectual property rights or any other rights of any third party regarding such information or data. ROHM shall not be in any way responsible or liable for infringement of any intellectual property rights or other damages arising from use of such information or data.:
2. No license, expressly or implied, is granted hereby under any intellectual property rights or other rights of ROHM or any third parties with respect to the information contained in this document.

**Other Precaution**

1. This document may not be reprinted or reproduced, in whole or in part, without prior written consent of ROHM.
2. The Products may not be disassembled, converted, modified, reproduced or otherwise changed without prior written consent of ROHM.
3. In no event shall you use in any way whatsoever the Products and the related technical information contained in the Products or this document for any military purposes, including but not limited to, the development of mass-destruction weapons.
4. The proper names of companies or products described in this document are trademarks or registered trademarks of ROHM, its affiliated companies or third parties.

**General Precaution**

1. Before you use our Products, you are requested to carefully read this document and fully understand its contents. ROHM shall not be in any way responsible or liable for failure, malfunction or accident arising from the use of any ROHM's Products against warning, caution or note contained in this document.
2. All information contained in this document is current as of the issuing date and subject to change without any prior notice. Before purchasing or using ROHM's Products, please confirm the latest information with a ROHM sales representative.
3. The information contained in this document is provided on an "as is" basis and ROHM does not warrant that all information contained in this document is accurate and/or error-free. ROHM shall not be in any way responsible or liable for any damages, expenses or losses incurred by you or third parties resulting from inaccuracy or errors of or concerning such information.

Компания «Океан Электроники» предлагает заключение долгосрочных отношений при поставках импортных электронных компонентов на взаимовыгодных условиях!

Наши преимущества:

- Поставка оригинальных импортных электронных компонентов напрямую с производств Америки, Европы и Азии, а так же с крупнейших складов мира;
- Широкая линейка поставок активных и пассивных импортных электронных компонентов (более 30 млн. наименований);
- Поставка сложных, дефицитных, либо снятых с производства позиций;
- Оперативные сроки поставки под заказ (от 5 рабочих дней);
- Экспресс доставка в любую точку России;
- Помощь Конструкторского Отдела и консультации квалифицированных инженеров;
- Техническая поддержка проекта, помощь в подборе аналогов, поставка прототипов;
- Поставка электронных компонентов под контролем ВП;
- Система менеджмента качества сертифицирована по Международному стандарту ISO 9001;
- При необходимости вся продукция военного и аэрокосмического назначения проходит испытания и сертификацию в лаборатории (по согласованию с заказчиком);
- Поставка специализированных компонентов военного и аэрокосмического уровня качества (Xilinx, Altera, Analog Devices, Intersil, Interpoint, Microsemi, Actel, Aeroflex, Peregrine, VPT, Syfer, Eurofarad, Texas Instruments, MS Kennedy, Miteq, Cobham, E2V, MA-COM, Hittite, Mini-Circuits, General Dynamics и др.);

Компания «Океан Электроники» является официальным дистрибьютором и эксклюзивным представителем в России одного из крупнейших производителей разъемов военного и аэрокосмического назначения «JONHON», а так же официальным дистрибьютором и эксклюзивным представителем в России производителя высокотехнологичных и надежных решений для передачи СВЧ сигналов «FORSTAR».



## JONHON

«JONHON» (основан в 1970 г.)

Разъемы специального, военного и аэрокосмического назначения:

(Применяются в военной, авиационной, аэрокосмической, морской, железнодорожной, горно- и нефтедобывающей отраслях промышленности)

«FORSTAR» (основан в 1998 г.)

ВЧ соединители, коаксиальные кабели, кабельные сборки и микроволновые компоненты:

(Применяются в телекоммуникациях гражданского и специального назначения, в средствах связи, РЛС, а так же военной, авиационной и аэрокосмической отраслях промышленности).



Телефон: 8 (812) 309-75-97 (многоканальный)

Факс: 8 (812) 320-03-32

Электронная почта: [ocean@oceanchips.ru](mailto:ocean@oceanchips.ru)

Web: <http://oceanchips.ru/>

Адрес: 198099, г. Санкт-Петербург, ул. Калинина, д. 2, корп. 4, лит. А