



The short form datasheet is intended to provide an overview only. Additional details are available from IDT. Contact information may be found on the last page.

General Description

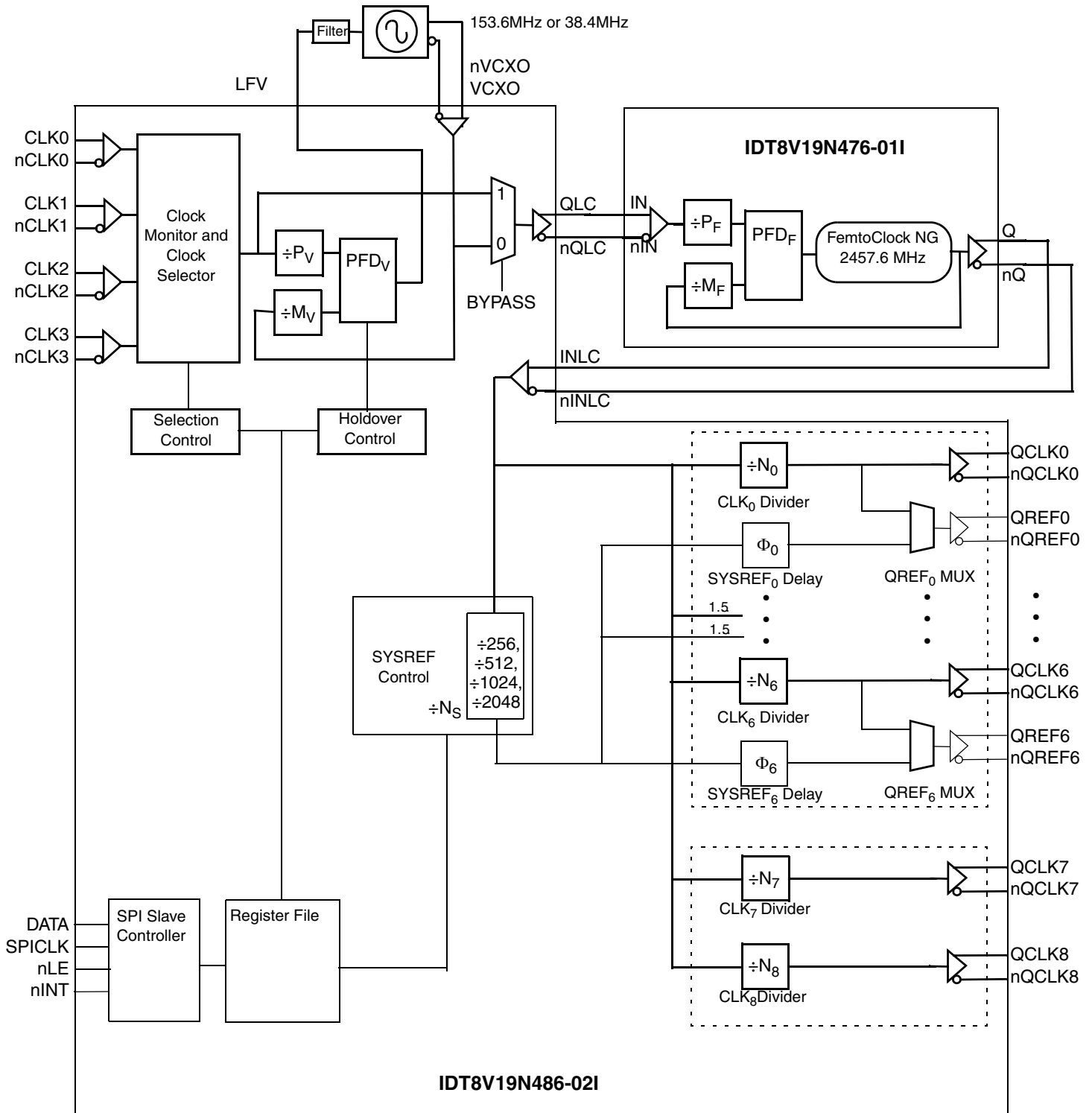
IDT8V19N486-02I is a FemtoClock® NG Jitter Attenuator and Clock Synthesizer. Together with the IDT8V19N476-01I external synthesizer, the device form a high-performance clock solution for conditioning and frequency/phase management of wireless base station radio equipment boards. The two-chip solution is optimized to deliver excellent phase noise performance. The device supports JESD204B subclass 0 and 1 clock implementations. The device is very flexible in programming of the output frequency and phase. A dual-stage PLL architecture (the second stage is implemented in the IDT8V19N476-01I) supports both jitter attenuation and frequency multiplication. The first stage PLL uses an external VCXO for best possible noise characteristics. The device supports the clock generation of high-frequency clocks and low-frequency system reference signals (SYSREF). The system reference signals are internally synchronized to the clock signals. Delay functions exist for achieving alignment and controlled phase delay between system reference and clock signals and to align/delay individual output signals. Four clock inputs are available for redundancy purpose. All inputs are monitored for activity. Priority-controlled auto-switching, manual switchover and hold-over is provided to handle clock input failure scenarios. Auto-lock, individually programmable output frequency dividers and phase adjustment capabilities are added for flexibility. The device is configured through a 3-wire SP serial interface and reports lock and signal loss status in internal registers and optionally via an lock detect (nINT) output. The device is packaged in a lead-free (RoHS 6) 72-lead VFQFN package (IDT8V19N486-02I). The extended temperature range supports wireless infrastructure, telecommunication and networking end equipment requirements. The device is a member of the high-performance clock family from IDT.

Features

- Core timing unit for JESB204B wireless infrastructure clocks
- Fourth generation FemtoClock® NG technology
- Jitter attenuation and frequency multiplication
- Use with the IDT8V19N476-01I synthesizer
- Nine differential configurable LVPECL/LVDS clock outputs with a variable output amplitude
- Seven differential LVDS system reference (SYSREF) signal outputs
- Synchronization between clock and system reference signals
- Phase delay capabilities for alignment/delay of individual system reference signals
- Individual output phase adjustment resolution: 101.7ps
- Individual output phase adjustment range in 128 steps (delay range encompasses one period of a 153.6MHz signal)
- Supports input clocks of 153.6, 76.8, 307.2, 38.4 and 61.44MHz
- Supports a 153.6MHz and 38.4MHz VCXO frequency
- Output clocks frequencies: 1228.8, 614.4, 307.2 and 153.6MHz
- Output clock frequency divider: $\div 2$, $\div 4$, $\div 8$ and $\div 16$
- Four redundant clock input compatible with LVPECL, LVDS, LVCMOS signals
- Dedicated power-down features for reducing power consumption
- Input clock monitoring, manual and auto-switch over
- Holdover for temporary loss of input signal scenarios
- SPI controlled system reference signal (SYSREF) generation
- First stage PLL uses an external VCXO (153.6MHz)
- Support of output power-down and output disable
- Second stage PLL uses an internal oscillator (2457.6MHz), implemented in the IDT8V19N476-01I synthesizer
- Clock output phase noise at 307.2MHz:
 - 10Hz offset: -57 dBc/Hz
 - 100Hz offset: -89 dBc/Hz
 - 500Hz offset: -114 dBc/Hz
 - 1kHz offset: -116 dBc/Hz
 - 10kHz offset: -121 dBc/Hz
 - 60kHz offset: -121 dBc/Hz
 - 100kHz offset: -126 dBc/Hz
 - 200kHz offset: -131 dBc/Hz
 - 800kHz offset: -148 dBc/Hz
 - 5MHz offset: -153 dBc/Hz
 - 10MHz offset: -153 dBc/Hz
- Status conditions with programmable functionality for loss-of-lock and loss of reference indication
- Lock detect (nINT) output for status change indication
- LVCMOS/LVTTL compatible SPI serial interface
- 3.3V core and output supply mode
- Supports 1.8V I/O logic levels for all control pins
- -40°C to +85°C ambient operating temperature
- Lead-free (RoHS 6) 72-lead VFQFN packaging, (10x10x0.85mm, 0.5mm pitch)

The information presented herein represents a product that is developmental or prototype. The noted characteristics are design targets. Integrated Device Technologies, Inc. (IDT) reserves the right to change any circuitry or specifications without notice.

Block Diagram



IDT8V19N486-02I

We've Got Your Timing Solution



6024 Silver Creek Valley Road
San Jose, California 95138

Sales
800-345-7015 (inside USA)
+408-284-8200 (outside USA)
Fax: 408-284-2775
www.IDT.com/go/contactIDT

Technical Support Sales
netcom@idt.com
+480-763-2056

DISCLAIMER Integrated Device Technology, Inc. (IDT) and its subsidiaries reserve the right to modify the products and/or specifications described herein at any time and at IDT's sole discretion. All information in this document, including descriptions of product features and performance, is subject to change without notice. Performance specifications and the operating parameters of the described products are determined in the independent state and are not guaranteed to perform the same way when installed in customer products. The information contained herein is provided without representation or warranty of any kind, whether express or implied, including, but not limited to, the suitability of IDT's products for any particular purpose, an implied warranty of merchantability, or non-infringement of the intellectual property rights of others. This document is presented only as a guide and does not convey any license under intellectual property rights of IDT or any third parties.

IDT's products are not intended for use in applications involving extreme environmental conditions or in life support systems or similar devices where the failure or malfunction of an IDT product can be reasonably expected to significantly affect the health or safety of users. Anyone using an IDT product in such a manner does so at their own risk, absent an express, written agreement by IDT.

Integrated Device Technology, IDT and the IDT logo are registered trademarks of IDT. Other trademarks and service marks used herein, including protected names, logos and designs, are the property of IDT or their respective third party owners.

Copyright 2013. All rights reserved.

Компания «Океан Электроники» предлагает заключение долгосрочных отношений при поставках импортных электронных компонентов на взаимовыгодных условиях!

Наши преимущества:

- Поставка оригинальных импортных электронных компонентов напрямую с производств Америки, Европы и Азии, а так же с крупнейших складов мира;
- Широкая линейка поставок активных и пассивных импортных электронных компонентов (более 30 млн. наименований);
- Поставка сложных, дефицитных, либо снятых с производства позиций;
- Оперативные сроки поставки под заказ (от 5 рабочих дней);
- Экспресс доставка в любую точку России;
- Помощь Конструкторского Отдела и консультации квалифицированных инженеров;
- Техническая поддержка проекта, помощь в подборе аналогов, поставка прототипов;
- Поставка электронных компонентов под контролем ВП;
- Система менеджмента качества сертифицирована по Международному стандарту ISO 9001;
- При необходимости вся продукция военного и аэрокосмического назначения проходит испытания и сертификацию в лаборатории (по согласованию с заказчиком);
- Поставка специализированных компонентов военного и аэрокосмического уровня качества (Xilinx, Altera, Analog Devices, Intersil, Interpoint, Microsemi, Actel, Aeroflex, Peregrine, VPT, Syfer, Eurofarad, Texas Instruments, MS Kennedy, Miteq, Cobham, E2V, MA-COM, Hittite, Mini-Circuits, General Dynamics и др.);

Компания «Океан Электроники» является официальным дистрибьютором и эксклюзивным представителем в России одного из крупнейших производителей разъемов военного и аэрокосмического назначения «JONHON», а так же официальным дистрибьютором и эксклюзивным представителем в России производителя высокотехнологичных и надежных решений для передачи СВЧ сигналов «FORSTAR».



JONHON

«JONHON» (основан в 1970 г.)

Разъемы специального, военного и аэрокосмического назначения:

(Применяются в военной, авиационной, аэрокосмической, морской, железнодорожной, горно- и нефтедобывающей отраслях промышленности)

«FORSTAR» (основан в 1998 г.)

ВЧ соединители, коаксиальные кабели, кабельные сборки и микроволновые компоненты:

(Применяются в телекоммуникациях гражданского и специального назначения, в средствах связи, РЛС, а так же военной, авиационной и аэрокосмической отраслях промышленности).



Телефон: 8 (812) 309-75-97 (многоканальный)

Факс: 8 (812) 320-03-32

Электронная почта: ocean@oceanchips.ru

Web: <http://oceanchips.ru/>

Адрес: 198099, г. Санкт-Петербург, ул. Калинина, д. 2, корп. 4, лит. А