

# KAC-12040

## 4000 (H) x 3000 (V) CMOS Image Sensor

### Description

The KAC-12040 Image Sensor is a high-speed 12 megapixel CMOS image sensor in a 4/3" optical format based on a 4.7  $\mu\text{m}$  5T CMOS platform. The image sensor features very fast frame rate, excellent NIR sensitivity, and flexible readout modes with multiple regions of interest (ROI). The readout architecture enables use of 8, 4, or 2 LVDS output banks for full resolution readout of 70 frames per second.

Each LVDS output bank consists of up to 8 differential pairs operating at 160 MHz DDR for a 320 Mbps data rate per pair. The pixel architecture allows rolling shutter operation for motion capture with optimized dynamic range or global shutter for precise still image capture.

**Table 1. GENERAL SPECIFICATIONS**

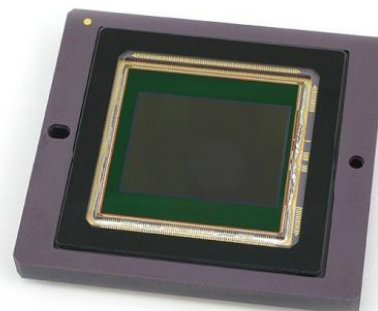
Parameter	Typical Value
Architecture	5T Global Shutter CMOS
Resolution	12 Megapixels
Aspect Ratio	4:3
Pixel Size	4.7 $\mu\text{m}$ (H) $\times$ 4.7 $\mu\text{m}$ (V)
Total Number of Pixels	4224 (H) $\times$ 3192 (V)
Number of Effective Pixels	4016 (H) $\times$ 3016 (V)
Number of Active Pixels	4000 (H) $\times$ 3000 (V)
Active Image Size	18.8 mm (H) $\times$ 14.1 mm (V) 23.5 mm (Diagonal), 4/3" Optical Format
Master Clock Input Speed	5 MHz to 50 MHz
Maximum Pixel Clock Speed	160 MHz DDR LVDS, 320 Mbps
Number of LVDS Outputs	64 Differential Pairs
Number of Output Banks	8, 4, or 2
Frame Rate, 12 Mp	1–70 fps 10 bits 1–75 fps 8 bits
Charge Capacity	16,000 electrons
Quantum Efficiency KAC-12040-CBA KAC-12040-ABA	40%, 47%, 45% (470, 540, 620 nm) 53%, 15%, 10% (500, 850, 900 nm)
Read Noise (at Maximum LVDS Clock)	3.7 e <sup>-</sup> rms, Rolling Shutter 25.5 e <sup>-</sup> rms, Global Shutter
Dynamic Range	73 dB, Rolling Shutter 56 dB, Global Shutter
Blooming Suppression	> 10,000x
Image Lag	1.3 electron
Digital Core Supply	2.0 V
Analog Core Supply	1.8 V
Pixel Supply	2.8 V & 3.5 V
Power Consumption	1.5 W for 12 Mp @ 70 fps 10 bits
Package	267 Pin Ceramic Micro-PGA
Cover Glass	AR Coated, 2-sides

NOTE: All Parameters are specified at T = 40°C unless otherwise noted.



**ON Semiconductor®**

[www.onsemi.com](http://www.onsemi.com)



**Figure 1. KAC-12040 CMOS Image Sensor**

### Features

- Global Shutter and Rolling Shutter
- Very Fast Frame Rate
- High NIR Sensitivity
- Multiple Regions of Interest
- Interspersed Video Streams

### Applications

- Machine Vision
- Intelligent Transportation Systems
- Surveillance

### ORDERING INFORMATION

See detailed ordering and shipping information on page 2 of this data sheet.

## KAC-12040

The image sensor has a pre-configured QFHD (4 × 1080p, 16:9) video mode, fully programmable, multiple ROI for windowing, programmable sub-sampling, and reverse readout (flip and mirror). The two ADCs can be configured for 8-bit, 10-bit, 12-bit or 14-bit conversion and output.

Additional features include interspersed video streams (dual-video), on-chip responsivity calibration, black

clamping, overflow pixel for blooming reduction, black-sun correction (anti-eclipse), column and row noise correction, and integrated timing generation with SPI control, 4:1 and 9:1 averaging decimation modes.

### ORDERING INFORMATION

**Table 2. ORDERING INFORMATION – KAC-12040 IMAGE SENSOR**

Part Number	Description	Marking Code
KAC-12040-ABA-JD-BA	Monochrome, Micro-PGA Package, Sealed Clear Cover Glass with AR Coating (Both Sides), Standard Grade.	KAC-12040-ABA Serial Number
KAC-12040-ABA-JD-AE	Monochrome, Micro-PGA Package, Sealed Clear Cover Glass with AR Coating (Both Sides), Engineering Grade.	
KAC-12040-CBA-JD-BA	Bayer (RGB) Color Filter Pattern, Micro-PGA Package, Sealed Clear Cover Glass with AR Coating (Both Sides), Standard Grade.	KAC-12040-CBA Serial Number
KAC-12040-CBA-JD-AE	Bayer (RGB) Color Filter Pattern, Micro-PGA Package, Sealed Clear Cover Glass with AR Coating (Both Sides), Engineering Grade.	

1. Engineering Grade samples might not meet final production testing limits, especially for cosmetic defects such as clusters, but also possibly column and row artifacts. Overall performance is representative of final production parts.

**Table 3. ORDERING INFORMATION – EVALUATION SUPPORT**

Part Number	Description
KAC-12040-CB-A-GEVK	Evaluation Hardware for KAC-12040 Image Sensor (Color). Includes Image Sensor.
KAC-12040-AB-A-GEVK	Evaluation Hardware for KAC-12040 Image Sensor (Monochrome). Includes Image Sensor.
LENS-MOUNT-KIT-B-GEVK	Lens Mount Kit that Supports C, CS, and F Mount Lenses. Includes IR Cut-filter for Color Imaging.

See the ON Semiconductor *Device Nomenclature* document (TND310/D) for a full description of the naming convention used for image sensors. For reference documentation, including information on evaluation kits, please visit our web site at [www.onsemi.com](http://www.onsemi.com).

DEVICE DESCRIPTION

Architecture

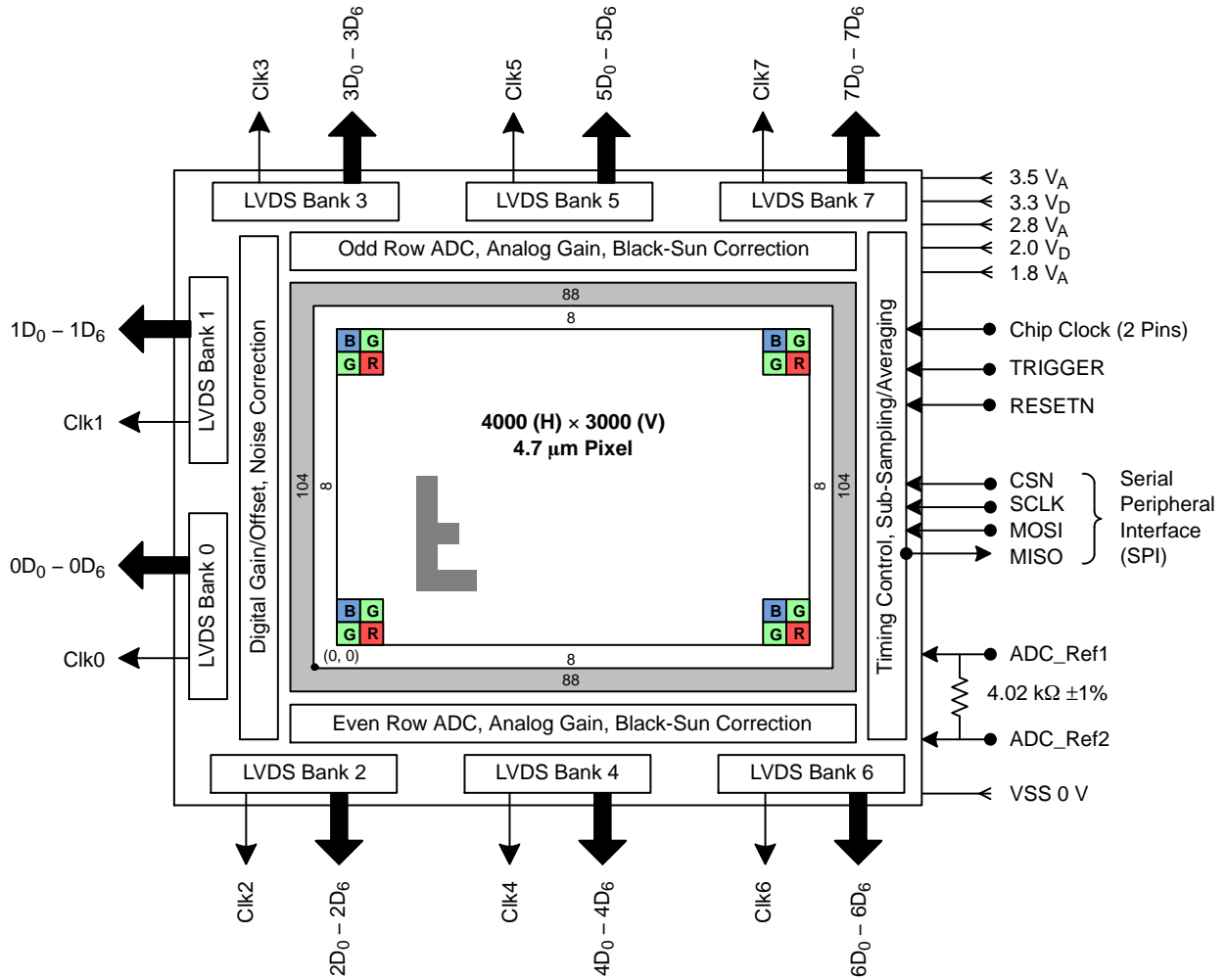
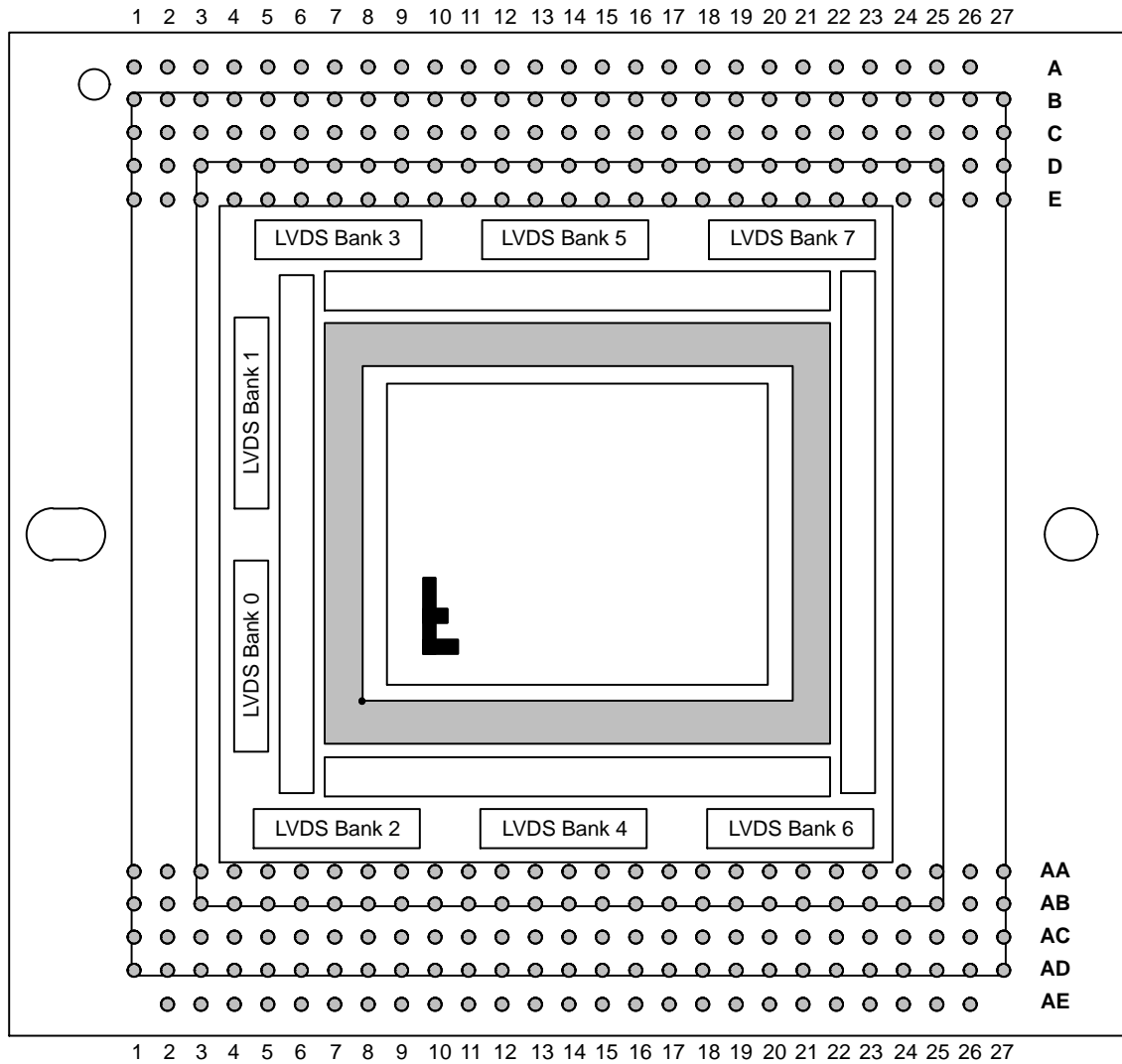


Figure 2. Block Diagram

# KAC-12040

## Physical Orientation



**Notes:**

1. The center of the pixel array is aligned to the physical package center.
2. The region under the sensor die is clear of pins enabling the use of a heat sink.
3. Non-symmetric mounting holes provide orientation and mounting precision.
4. Non-symmetric pins prevent incorrect placement in PCB.
5. Letter "F" indicator shows default readout direction relative to package pin 1.

**Figure 3. Package Pin Orientation – Top X-Ray View**

**Table 4. PRIMARY PIN DESCRIPTION**

Pin	Name	Type	Description
AB09	RESETN	DI	Sensor Reset (0 V = Reset State)
E07	CLK_In1	DI	Sensor Input Clk_In1 (45–50 MHz)
D08	CLK_In2	DI	Sensor Input Clk_In2 (Connect to Clk1)
AB08	TRIGGER	DI	Trigger Input (Optional)
AA05	SCLK	DI	SPI Master Clock
AA08	MOSI	DI	SPI Master Output, Slave Input
AA07	MISO	DO	SPI Master Input, Slave Output
AA06	CSN	DI	SPI Chip Select (0 V = Selected)
AA14	ADC_Ref1	AO	4.02 kΩ ±1% Resistor between Ref1 & Ref2
AA15	ADC_Ref2	AO	4.02 kΩ ±1% Resistor between Ref1 & Ref2
AB07	MSO	DO	Mechanical Shutter Output Sync (Optional)
AB06	FLO	DO	Flash Output Sync (Optional)
E05	FEN	DO	Frame Enable Reference Output (Optional)
E06	LEN	DO	Line Enable Reference Output (Optional)

1. DI = Digital Input, DO = Digital Output, AO = Analog Output.
2. Tie unused DI pins to Ground, NC unused DO pins.
3. By default Clk\_In2 should equal Clk\_In1 and should be the same source clock.
4. The RESETN pin has a 62 kΩ internal pull-up resistor, so if left floating the chip will not be in reset mode.
5. The TRIGGER pin has an internal 100 kΩ pull down resistor. If left floating (and at default polarity) then the sensor state will not be affected by this pin (i.e. defaults to 'not triggered' mode if floated).
6. All of the DI and DO pins nominally operate at 0 V → 2.0 V and are associated with the VDD\_DIG power supply.

**Table 5. POWER PIN DESCRIPTION**

Name	Voltage	Pins	Description
VDD_LVDS	3.3 V D	C04, C05, C23, C24, D04, D24, E04, E24, AA04, AA24, AB04, AB24, AC04, AC05 AC23, AC24	LVDS Output Supply
VDD_DIG	2.0 V D	C18, C19, D18, D19, E18, AA18, AB18, AB19, AC18, AC19, C20, C21, C22, D20, D21, D22, D23, E20, E21, E22, AA20, AA21, AA22, AB20, AB21, AB22, AB23, AC20, AC21, AC22, AB15, E08	Digital Core Supply
AVDD_HV	3.5 V A	C11, D11, E11, AA11, AB11, AC11, C10, D10, E10, AA10, AB10, AC10	Pixel Supply 1
Vref_P	2.8 V A	C13, D13, E13, AA13, AB13, AC13	Pixel Supply 2
AVDD_LV	1.8 V A	C17, D16, D17, E17, AA17, AB16, AB17, AC17	Analog Low Voltage Supply
Vpixel_low	0 V	E09	Pixel Supply 3. Combine with VSS for normal operation. Can be pulsed for Extended Dynamic Range Operation.
VSS	0 V	C12, C14, D12, D14, E12, AA12, AB12, AB14, AC12, AC14, E15, D15, AA09, A02, A14, A26, B14, C03, C06, C25, D03, D25, E03, E19, E23, E25, AA03, AA19, AA23, AA25, AB25, AC03, AC06, AC25, AD14, AE02, AE14, AE26	Sensor Ground Reference
No Connect	NA	A01, AC09, E14, E16, C09, D09, D05, D06, D07, AA16, AB05	Unused and test-only pins. These pins must be floated.

Table 6. LVDS PIN DESCRIPTION

Pin	Name	Description	Pin	Name	Description	Pin	Name	Description	Pin	Name	Description
E01	1DCLK+	Bank 1 LVDS Clock	C07	3DCLK+	Bank 3 LVDS Clock	C15	5DCLK+	Bank 5 LVDS Clock	A22	7DCLK+	Bank 7 LVDS Clock
E02	1DCLK-		C08	3DCLK-		C16	5DCLK-		B22	7DCLK-	
D01	1DATA0+	Bank 1 LVDS Data	A07	3DATA0+	Bank 3 LVDS Data	A15	5DATA0+	Bank 5 LVDS Data	A23	7DATA0+	Bank 7 LVDS Data
D02	1DATA0-		B07	3DATA0-		B15	5DATA0-		B23	7DATA0-	
C01	1DATA1+		A08	3DATA1+		A16	5DATA1+		A24	7DATA1+	
C02	1DATA1-		B08	3DATA1-		B16	5DATA1-		B24	7DATA1-	
B01	1DATA2+		A09	3DATA2+		A17	5DATA2+		A25	7DATA2+	
B02	1DATA2-		B09	3DATA2-		B17	5DATA2-		B25	7DATA2-	
A03	1DATA3+		A10	3DATA3+		A18	5DATA3+		B27	7DATA3+	
B03	1DATA3-		B10	3DATA3-		B18	5DATA3-		B26	7DATA3-	
A04	1DATA4+		A11	3DATA4+		A19	5DATA4+		C27	7DATA4+	
B04	1DATA4-		B11	3DATA4-		B19	5DATA4-		C26	7DATA4-	
A05	1DATA5+		A12	3DATA5+		A20	5DATA5+		D27	7DATA5+	
B05	1DATA5-		B12	3DATA5-		B20	5DATA5-		D26	7DATA5-	
A06	1DATA6+		A13	3DATA6+		A21	5DATA6+		E27	7DATA6+	
B06	1DATA6-		B13	3DATA6-		B21	5DATA6-		E26	7DATA6-	

Pin	Name	Description	Pin	Name	Description	Pin	Name	Description	Pin	Name	Description
AA01	0DCLK+	Bank 0 LVDS Clock	AC07	2DCLK+	Bank 2 LVDS Clock	AC15	4DCLK+	Bank 4 LVDS Clock	AE22	6DCLK+	Bank 6 LVDS Clock
AA02	0DCLK-		AC08	2DCLK-		AC16	4DCLK-		AD22	6DCLK-	
AB01	0DATA0+	Bank 0 LVDS Data	AE07	2DATA0+	Bank 2 LVDS Data	AE15	4DATA0+	Bank 4 LVDS Data	AE23	6DATA0+	Bank 6 LVDS Data
AB02	0DATA0-		AD07	2DATA0-		AD15	4DATA0-		AD23	6DATA0-	
AC01	0DATA1+		AE08	2DATA1+		AE16	4DATA1+		AE24	6DATA1+	
AC02	0DATA1-		AD08	2DATA1-		AD16	4DATA1-		AD24	6DATA1-	
AD01	0DATA2+		AE09	2DATA2+		AE17	4DATA2+		AE25	6DATA2+	
AD02	0DATA2-		AD09	2DATA2-		AD17	4DATA2-		AD25	6DATA2-	
AE03	0DATA3+		AE10	2DATA3+		AE18	4DATA3+		AD26	6DATA3+	
AD03	0DATA3-		AD10	2DATA3-		AD18	4DATA3-		AD27	6DATA3-	
AE04	0DATA4+		AE11	2DATA4+		AE19	4DATA4+		AC26	6DATA4+	
AD04	0DATA4-		AD11	2DATA4-		AD19	4DATA4-		AC27	6DATA4-	
AE05	0DATA5+		AE12	2DATA5+		AE20	4DATA5+		AB26	6DATA5+	
AD05	0DATA5-		AD12	2DATA5-		AD20	4DATA5-		AB27	6DATA5-	
AE06	0DATA6+		AE13	2DATA6+		AE21	4DATA6+		AA26	6DATA6+	
AD06	0DATA6-		AD13	2DATA6-		AD21	4DATA6-		AA27	6DATA6-	

1. All LVDS Data and Clock lines must be routed with 100 Ω differential transmission line traces.
2. All the traces for a single LVDS Bank should be the same physical length to minimize skew between the clock and data lines.
3. In 2 Bank mode, only LVDS banks 0 and 1 are active.
4. In 4 Bank mode, only LVDS bank 0, 1, 2, and 3 are active.
5. Float the pins of unused LVDS Banks to conserve power.
6. Unused pins in active banks (due to ADC bit depth < 14) are automatically tri-stated to save power, but these can also be floated.

# KAC-12040

## IMAGING PERFORMANCE

**Table 7. TYPICAL OPERATIONAL CONDITIONS**

(Unless otherwise noted, the Imaging Performance Specifications are measured using the following conditions.)

Description	Condition	Notes
Light Source	Continuous Red, Green and Blue LED Illumination	1
Temperature	Measured Die Temperature: 40°C and 27°C	
Integration Time	16.6 ms (1400d LL, Register 0201h)	
Readout Mode	Dual-Scan, Global Shutter, 320 MHz, PLL2	
Clamps	Column/Row Noise Corrections Active, Frame Black Level Clamp Active	
ADC Bit Depth	10 bit	
Analog Gain	Unity Gain or Referred Back to Unit Gain	

1. For monochrome sensor, only green LED used.

**Table 8. KAC-12040-ABA CONFIGURATION (MONOCHROME)**

Description	Symbol	Wavelength (nm)	Min.	Nom.	Max.	Unit	Sampling Plan	Temperature Tested at (°C)	Test
Peak Quantum Efficiency Green NIR1 NIR2	QE <sub>MAX</sub>	550 850 900	- - -	53 15 10	- - -	%	Design	27	
Responsivity			-	84	-	$\frac{ke^-}{Lux \cdot s}$	Design	27	20
Responsivity			-	7.0	-	$\frac{V}{Lux \cdot s}$	Design	27	21

**Table 9. KAC-12040-CBA CONFIGURATION (BAYER RGB)**

Description	Symbol	Wavelength (nm)	Min.	Nom.	Max.	Unit	Sampling Plan	Temperature Tested at (°C)	Test
Peak Quantum Efficiency Green NIR1 NIR2	QE <sub>MAX</sub>	470 540 620 850 900	- - - - -	40 47 45 15 10	- - - - -	%	Design	27	
Responsivity		Blue Green Red	- - -	17 35 38	- - -	$\frac{ke^-}{Lux \cdot s}$	Design	27	20
Responsivity		Blue Green Red	- - -	1.4 2.9 3.2	- - -	$\frac{V}{Lux \cdot s}$	Design	27	21

Table 10. PERFORMANCE SPECIFICATIONS ALL CONFIGURATIONS

Description	Symbol	Min.	Nom.	Max.	Unit	Sampling Plan	Temperature Tested at (°C)	Test	Notes
Photodiode Charge Capacity	PNe	-	16	-	ke <sup>-</sup>	Die	27, 40	16	
Read Noise	ne <sup>-</sup> T	- -	3.7 RS 25.5 GS	- -	e <sup>-</sup> rms	Die	27	8	1
Total Pixelized Noise		- -	4.5 RS 28.3 GS	- -	e <sup>-</sup> rms	Die	27	19	1
Dynamic Range	DR	- -	73 RS 56 GS	- -	dB	Die	27		1, 4
Column Noise	C <sub>N</sub>	- -	0.6 RS 3.0 GS	- -	e <sup>-</sup> rms	Die	27	9	1, 6
Row Noise	R <sub>N</sub>	- -	1.0 RS 5.0 GS	- -	e <sup>-</sup> rms	Die	27	10	1, 7
Dark Field Local Non-Uniformity Floor	DSNU_flr	- -	3.0 RS 21 GS	- -	e <sup>-</sup> rms	Die	27, 40	1	1, 5
Bright Field Global Photoresponse Non-Uniformity	PRNU_1	-	1.5	-	% rms	Die	27, 40	2	2
Bright Field Global Peak to Peak Photoresponse Non-Uniformity	PRNU_2	-	6.5	-	% pp	Die	27, 40	3	2
Maximum Photoresponse Non-Linearity	NL	-	6.3	-	%	Die	27, 40	11	3
Maximum Gain Difference between Outputs	ΔG	-	0.3	-	%	Die	27, 40	12	8
Photodiode Dark Current	I <sub>PD</sub>	-	4.6	70	e/p/s	Die	40	13	9
Storage Node Dark Current	I <sub>VD</sub>	-	1,200	5,000	e/p/s	Die	40	14	5
Image Lag	Lag	-	1.3	10	-	Design	27, 40	15	
Black-Sun Anti-Blooming	X <sub>AB</sub>	- -	12 > 10,000	- -	W/cm <sup>2</sup> xllumSat	Design	27	7	14
Parasitic Light Sensitivity	PLS	-	730	-	-	Design	27	6	10
Dual-Video WDR		- -	140 RS 120 GS	- -	dB	Design	27		1, 11, 12
Pulsed Pixel WDR (GS Only)		-	100	-	dB	Design	27		12, 13

1. RS = Rolling Shutter Operation Mode, GS = Global Shutter Operation Mode.
2. Measured per color, worst of all colors reported.
3. Value is over the range of 10% to 90% of photodiode saturation, Green response used.
4. Uses 20LOG (PNe / ne<sup>-</sup>T).
5. Photodiode dark current made negligible.
6. Column Noise Correction active.
7. Row Noise Correction active.
8. Measured at ~70% illumination.
9. Storage node dark current made negligible.
10. GSE (Global Shutter Efficiency) = 1 - 1 / PLS.
11. Min vs Max integration time at 30 fps.
12. WDR measures expanded exposure latitude from linear mode DR.
13. Min/Max responsivity in a 30 fps image.
14. Saturation Illumination referenced to a 3 line time integration.



TYPICAL PERFORMANCE CURVES

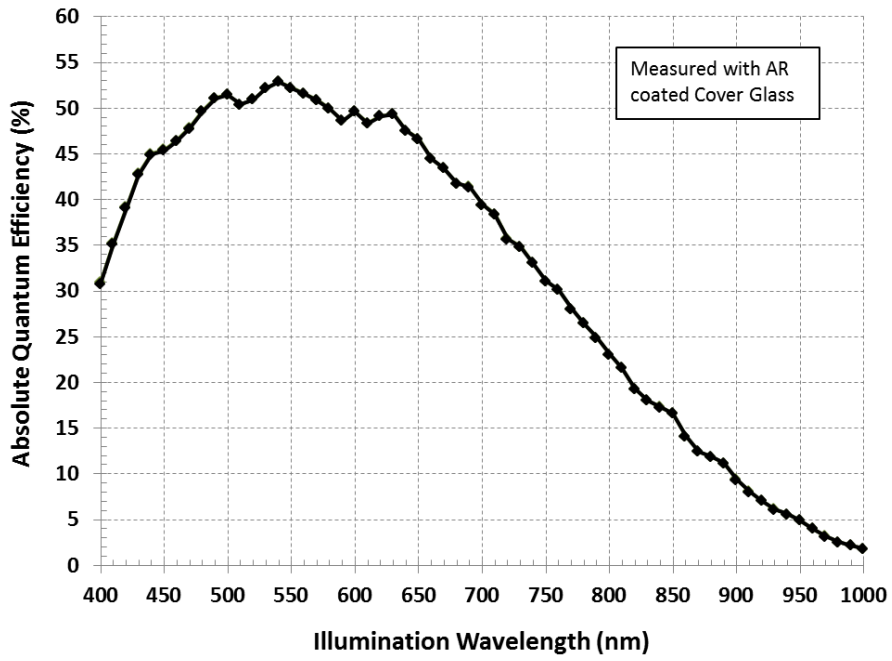


Figure 4. Monochrome QE (with Microlens)

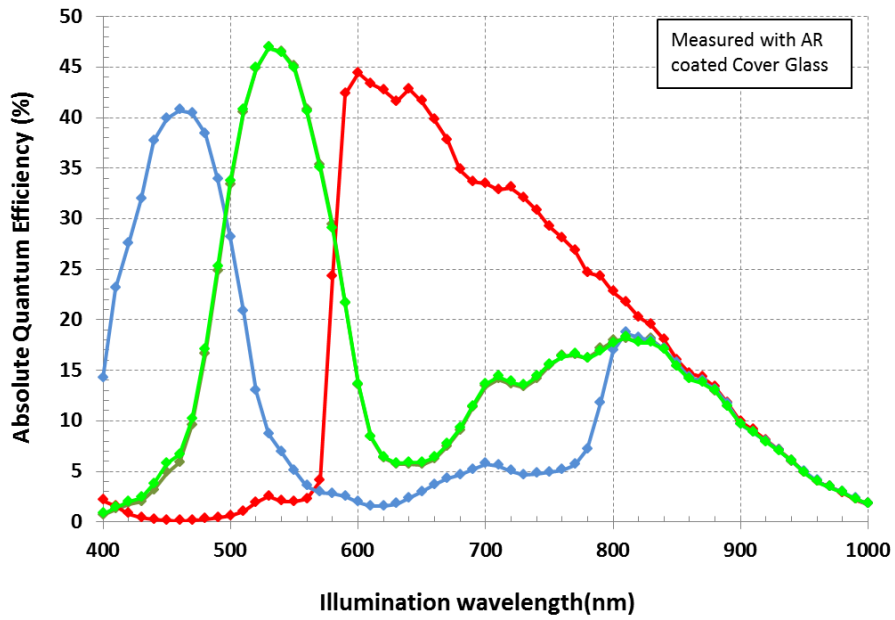


Figure 5. Bayer QE (with Microlens)

Angular Quantum Efficiency

For the curves marked “Horizontal”, the incident light angle is varied along the wider array dimension. For the curves marked “Vertical”, the incident light angle is varied along the shorter array dimension.

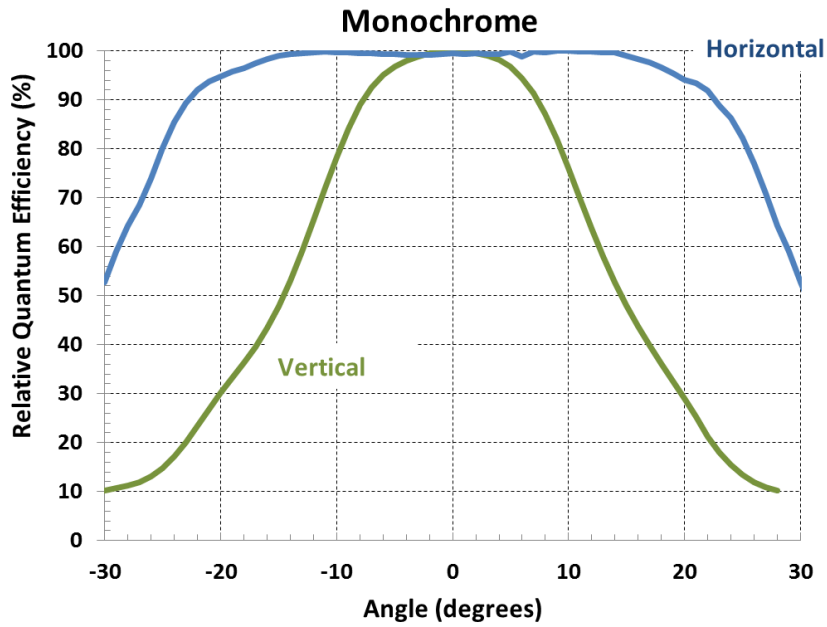


Figure 6. Monochrome Relative Angular QE (with Microlens)

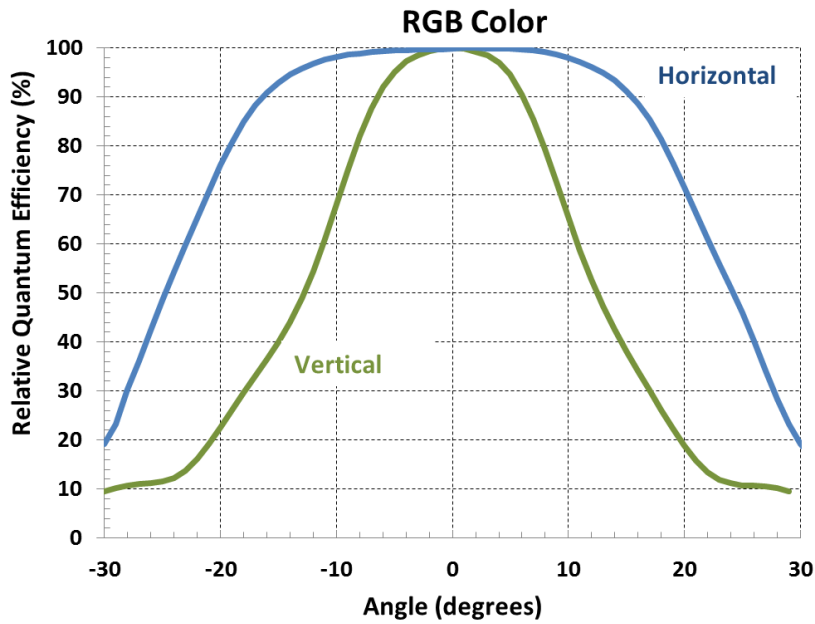
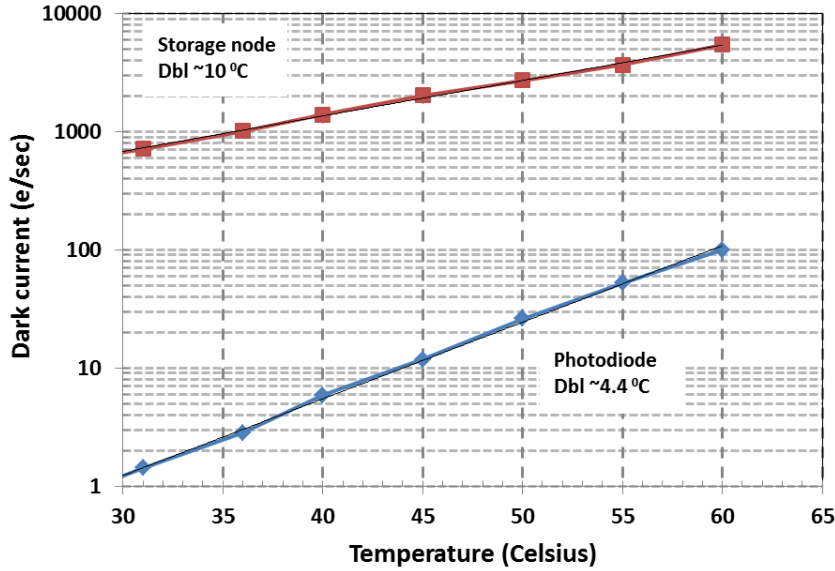


Figure 7. Bayer Relative Angular QE (with Microlens)

Dark Current vs. Temperature



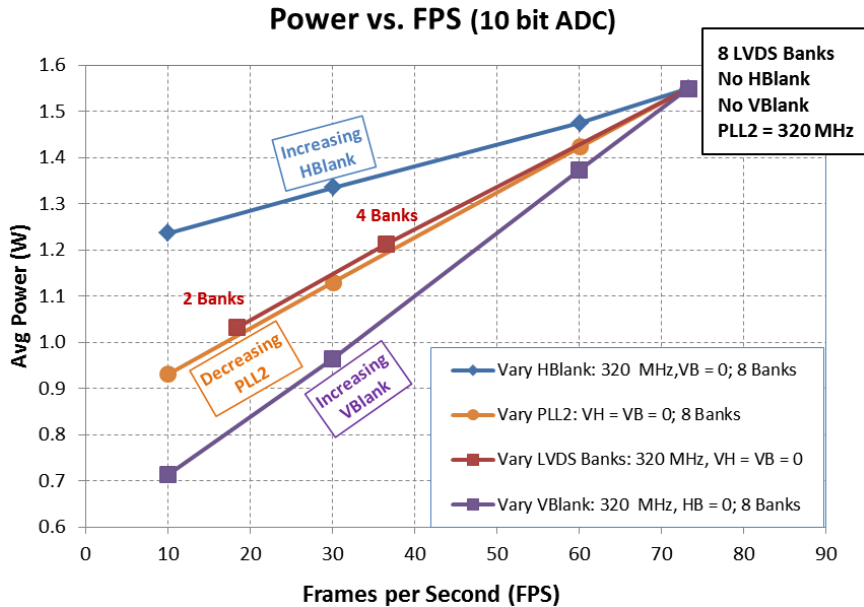
NOTE: "Dbt" denotes an approximate doubling temperature for the dark current for the displayed temperature range.

Figure 8. Dark Current vs. Temperature

Power vs. Frame Rate

The most effective method to use the maximum PLL2 speed (313 → 320 MHz) and control frame rate with minimum Power and maximum image quality is to adjust Vertical Blanking. (register 01F1h). Unnecessary chip

operations are suspended during Vertical Blanking conserving significant power consumption and also minimizing the image storage time on the storage node when in Global Shutter Operation.



NOTE: The LVDS clock is 1/2 the PLL2 clock speed.

Figure 9. Power vs. Frame Rate, 10 bit Mode

Power and Frame Rate vs. ADC Bit Depth

Increasing the ADC bit depth impacts the frame rate by changing the ADC conversion time. The following figure

shows the power and Frame rate range for several typical cases.

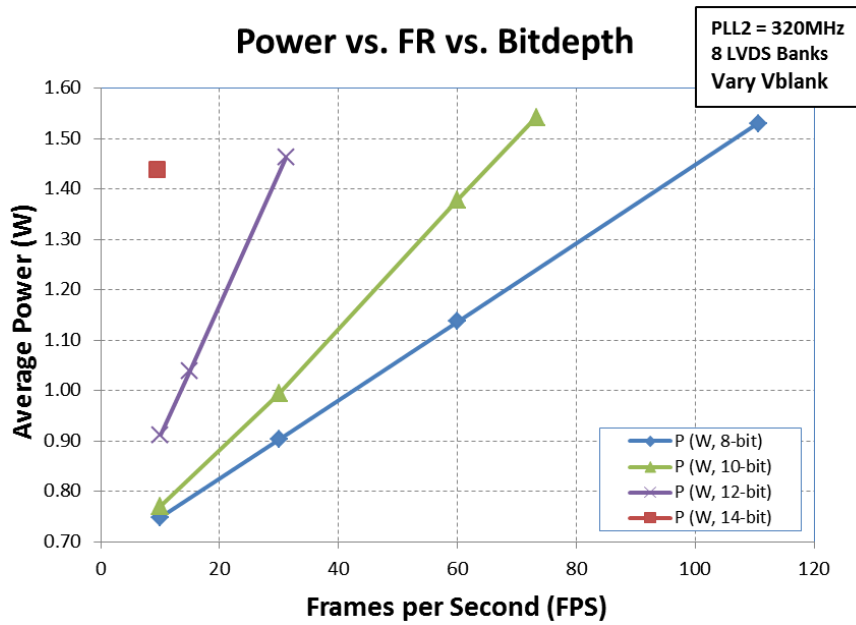


Figure 10. ADC Bit Depth Impact on Frame Rate and Power

## DEFECT DEFINITIONS

Table 11. OPERATION CONDITIONS FOR DEFECT TESTING

Description	Condition	Notes
Operational Mode	10 bit ADC, 8 LVDS Outputs, Global Shutter and Rolling Shutter Modes, Dual-Scan, Black Level Clamp ON, Column/Row Noise Corrections ON, 1× Analog Gain, 1× Digital Gain	
Pixels per Line	4,000	
Lines per Frame	3,000	
Line Time	8.7 $\mu$ s	
Frame Time	13.9 ms	
Photodiode Integration Time	33 ms	
Storage Readout Time	13.9 ms	
Temperature	40°C and 29°C	
Light Source	Continuous Red, Green and Blue LED Illumination	1
Operation	Nominal Operating Voltages and Timing, PLL1 = 320 MHz, Wafer Test	

1. For monochrome sensor, only the green LED is used.

Table 12. DEFECT DEFINITIONS FOR TESTING

Description	Definition	Limit	Test	Notes		
Dark Field Defective Pixel	<table border="1"> <tr> <td>30°C RS: Defect <math>\geq</math> 20 dn GS: Defect <math>\geq</math> 180 dn</td> <td>40°C RS: Defect <math>\geq</math> 30 dn GS: Defect <math>\geq</math> 240 dn</td> </tr> </table>	30°C RS: Defect $\geq$ 20 dn GS: Defect $\geq$ 180 dn	40°C RS: Defect $\geq$ 30 dn GS: Defect $\geq$ 240 dn	120	4	1, 4, 5
30°C RS: Defect $\geq$ 20 dn GS: Defect $\geq$ 180 dn	40°C RS: Defect $\geq$ 30 dn GS: Defect $\geq$ 240 dn					
Bright Field Defective Pixel	Defect $\geq$ $\pm$ 12% from Local Mean	120	5	2, 5		
Cluster Defect	A group of 2 to 10 contiguous defective pixels, but no more than 3 adjacent defects horizontally.	22		3		
Column/Row Major Defect	A group of more than 10 contiguous defective pixels along a single column or row.	0				
Dark Field Faint Column/Row Defect	RS: 3 dn Threshold GS: 10 dn Threshold	0	17	1		
Bright Field Faint Column/Row Defect	RS: 12 dn Threshold GS: 18 dn Threshold	0	18	1		

1. RS = Rolling Shutter, GS = Global Shutter.

2. For the color devices, all bright defects are defined within a single color plane, each color plane is tested.

3. Cluster defects are separated by no less than two good pixels in any direction.

4. Rolling Shutter Dark Field points are dominated by photodiode integration time, Global Shutter Dark Field defects are dominated by the readout time.

5. The net sum of all bright and dark field pixel defects in rolling and global shutter are combined and then compared to the test limit.

## Defect Map

The defect map supplied with each sensor is based upon testing at an ambient (29°C) temperature. All defective

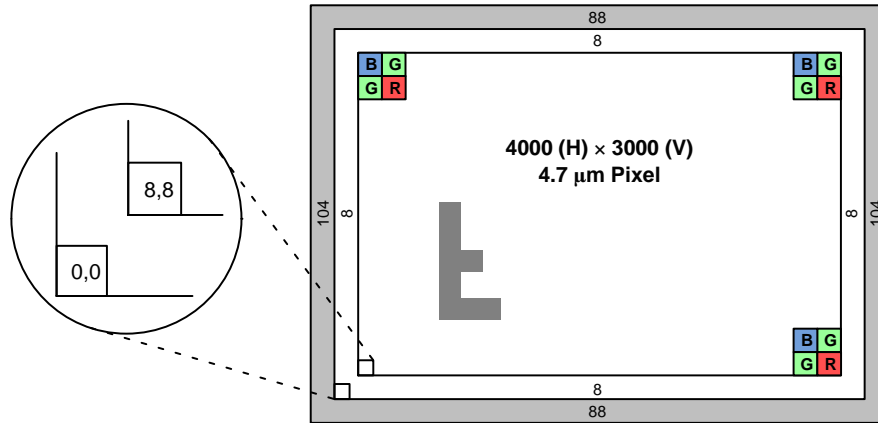
pixels are reference to pixel (0, 0) in the defect maps. See Figure 11 for the location of pixel (0, 0).

**TEST DEFINITIONS**

**Test Regions of Interest**

Image Area ROI: Pixel (0, 0) to Pixel (4015, 3015)  
 Active Area ROI: Pixel (8, 8) to Pixel (3999, 2999)  
 Center ROI: Pixel (1958, 1458) to Pixel (2057, 1557)

Only the Active Area ROI pixels are used for performance and defect tests.



**Figure 11. Regions of Interest**

**Test Descriptions**

*1) Dark Field Local Non-Uniformity Floor (DSNU\_flr)*

This test is performed under dark field conditions. A 4 frame average image is collected. This image is partitioned into 300 sub-regions of interest, each of which is 200 by 200 pixels in size. For each sub-region the standard deviation of all its pixels is calculated. The dark field local non-uniformity is the largest standard deviation found from all the sub regions of interest. Units: e<sup>-</sup> rms (electrons rms).

*2) Bright Field Global Photoresponse Non-Uniformity (PRNU\_1)*

The sensor illuminated to 70% of saturation (~700 dn). In this condition a 4 frame average image is collected. From this 4 frame average image a 4 frame average dark image is subtracted. The Active Area Standard Deviation is the standard deviation of the resultant image and the Active Area Signal is the average of the resultant image.

$$PRNU_1 = 100 \cdot \left( \frac{\text{Active Area Standard Deviation}}{\text{Active Area Signal}} \right)$$

Units : % rms

*3) Bright Field Global Peak to Peak Non-Uniformity (PRNU\_2)*

This test is performed with the sensor uniformly illuminated to 70% of saturation (~700 dn), a 4 frame average image is collected and a 4 frame averaged dark image is subtracted. The resultant image is partitioned into 300 sub regions of interest, each of which is 200 by 200 pixels in size. The average signal level of each sub regions of interest (sub-ROI) is calculated.

The highest sub-ROI average (Maximum Signal) and the lowest sub-ROI average (Minimum Signal) are then used in the following formula to calculate PRNU\_2.

$$PRNU_2 = 100 \cdot \left( \frac{\text{Max. Signal} - \text{Min. Signal}}{\text{Active Area Signal}} \right)$$

Units : % pp

*4) Dark Field Defect Test*

This test is performed under dark field conditions. The sensor is partitioned into 300 sub regions of interest, each of which is 128 by 128 pixels in size. In each region of interest, the median value of all pixels is found. For each region of interest, a pixel is marked defective if it is greater than or equal to the median value of that region of interest plus the defect threshold specified in the Defect Definition Table section.

*5) Bright Field Defect Test*

This test is performed with the imager illuminated to a level such that the output is at approximately 700 dn. The average signal level of all active pixels is found. The bright and dark thresholds are set as:

Dark Defect Threshold = Active Area Signal · Threshold

Bright Defect Threshold = Active Area Signal · Threshold

The sensor is then partitioned into 300 sub regions of interest, each of which is 128 by 128 pixels in size. In each region of interest, the average value of all pixels is found. For each region of interest, a pixel is marked defective if it is greater than or equal to the median value of that region of interest plus the bright threshold specified or if it is less than

or equal to the median value of that region of interest minus the dark threshold specified.

Example for bright field defective pixels:

- Average value of all active pixels is found to be 700 dn
- Lower defect threshold:  $700 \text{ dn} \cdot 12\% = 84 \text{ dn}$
- A specific  $128 \times 128$  ROI is selected:
  - ◆ Median of this region of interest is found to be 690 dn.
  - ◆ Any pixel in this region of interest that is  $\leq (690 - 84 \text{ dn})$  in intensity will be marked defective.
  - ◆ Any pixel in this region of interest that is  $\geq (690 - 84 \text{ dn})$  in intensity will be marked defective.
- All remaining 299 sub regions of interest are analyzed for defective pixels in the same manner.

6) *Parasitic Light Sensitivity (PLS)*

Parasitic Light Sensitivity is the ratio of the light sensitivity of the photodiode to the light sensitivity of the storage node in Global Shutter. There is no equivalent distortion in Rolling Shutter. A low PLS value can provide distortion of the image on the storage node by the scene during readout.

$$PLS = \frac{\text{Photodiode Responsivity}}{\text{Storage Node Responsivity}} \quad (\text{UnitlessRatio})$$

GSE (Global Shutter Efficiency) is a related unit.

$$GSE = \left(1 - \frac{1}{PLS}\right) \%$$

Detailed Method: Photodiode Responsivity:

The sensor is set in global shutter serial mode (integration time not overlapping readout) and the FLO signal is used to control a 550 nm normal incident (or large f# focused) illumination source so that the sensor is illuminated only during photodiode integration time (not illuminated during readout time). The integration time is not critical but should be large enough to create a measurable mean during this time. A 16 frame-average illuminated photodiode image is recorded. A 16 frame-average dark frame using the same sensor settings is captured and is subtracted from the illuminated image.

Detailed Method: Storage Node Responsivity:

The sensor is set to a special characterization mode where the PD signal is discarded and does not impact the storage node. A long total frame time (storage node exposure time) is used to increase the storage node signal. A 16 frame-average dark frame is captured. The sensor is illuminated by the same 550 nm incident light source used for the photodiode responsivity. A 16 frame-average illuminated photodiode image is recorded; the dark frame image is subtracted from this. The integration time is not critical but should be set such that a significant response is detected, typically several orders of magnitude greater than the photodiode integration time.

7) *Black-Sun Anti-Blooming*

A typical CMOS image sensor has a light response profile that goes from 0 dn to saturation (1023 dn for KAC-12040 in 10 bit ADC mode) and, with enough light, back to 0 dn. The sensor reaching 0 dn at very bright illumination is often called the “Black-sun” artifact and is undesirable. Black-sun artifact is typically the dominant form of anti-blooming image distortion. For the KAC-12040 the Black-sun artifact threshold is measured at the onset of saturation distortion, not at the point where the output goes to 0 dn. To first order the onset of black-sun artifact for the KAC-12040 is not proportional to the integration time or readout time.

The sensor is placed in the dark at unity gain and illuminated with a 532 nm laser with the intensity of about  $26 \text{ W/cm}^2$  at the center of the sensor. The laser is strong enough to make the center of the laser spot below 1020 dn without any ND filters. ND filters are added to adjust the laser intensity until the signal in the region at the center of the spot increases to  $> 1020 \text{ dn}$ .

This illumination intensity at this ND filter is recorded ( $\text{W/cm}^2$ ) as the Black-Sun Anti-blooming.

The ‘xIllumSat’ unit is calculated using and integration time of 100  $\mu\text{sec}$ .

Exposing the sensor to very strong illumination for extended periods of time will permanently alter the sensor performance in that localized region.

8) *Read Noise*

This test is performed with no illumination and one line of integration time. The read noise is defined as one standard deviation of the frequency histogram containing the values of all pixels after the excessively deviant pixels ( $\pm$  three standard deviations) are removed.

9) *Column Noise*

After all rows are averaged together. Shading (low frequency change wrt column address) is removed. A frequency histogram is constructed of the resulting column values. The column noise is the standard deviation of the frequency histogram of the column values.

10) *Row Noise*

All columns are averaged together. Shading (low frequency change wrt row address) is removed. A frequency histogram is constructed of the resulting row values. The row noise is the standard deviation of the frequency histogram of the row values.

11) *Maximum Photoresponse Non-Linearity*

The photoresponse non-linearity is defined as the deviation from the best fit of the sensor response using 70% of saturation and zero signal as the reference points. The different signal levels are determined by varying the integration time. The sensor saturation level is (1023-dark offset). The dark offset is subtracted from the image for the following  $M_{AVG}$  and  $L_{AVG}$ .

- The integration time is varied until the integration time required to reach the 70% saturation is determined.  
 $M_{AVG}$  = the active array mean at the 70% saturation integration time.
- The integration is set to 1/14 (5% exposure point).  
 $L_{AVG}$  = meant at the 5% exposure point.
- PRNL (@ 5% saturation) =  $((L_{AVG}/M_{AVG}) \cdot (14/1) - 1) \cdot 100$

12) Maximum Gain Difference between Outputs

The sensor contains two ADC and four channels of analog data in its highest frame rate configuration. The sensor is factory calibrated to reduce the gain differences between the channels. The gain variations are manifest as a row oriented pattern where every other row uses a different ADC. Using triple scan read out mode, an additional two analog channels are introduced resulting in a four row pattern. With one channel ('Top Ping') used as the reference, the residual gain difference is defined as:

$$\left( \frac{\text{Bottom Ping Row Average}}{\text{Top Ping Row Average}} - 1 \right) \cdot 100$$

$$\left( \frac{\text{Top Pong Row Average}}{\text{Top Ping Row Average}} - 1 \right) \cdot 100$$

$$\left( \frac{\text{Bottom Pong Row Average}}{\text{Top Ping Row Average}} - 1 \right) \cdot 100$$

13) Photodiode Dark Current

The photodiode dark current is measured in rolling shutter read out mode using 105 ms integration time and an analog gain = 8. The value is converted to electrons/pix/sec using the formula:

$$\text{Photodiode Dark Current} = \text{Aver. Signal (DN)} \cdot \frac{\text{el-per-DN (gain=8)}}{0.105 \text{ seconds}}$$

where 'average signal (DN)' is the average of all pixels in the sensor array, and 'el-per-DN (gain=8)' is measured on each sensor using the photon transfer method.

14) Storage Node Dark Current

The storage node dark current is measured in global shutter read out mode using a special timing mode to prevent the photodiode dark current from being transferred to the storage node. In global shutter mode, the integration time of the storage node is the time it takes to read out a frame. The sensor analog gain is set to 2:

$$\text{Storage Node Dark Current} = \text{Aver. Signal (DN)} \cdot \frac{\text{el-per-DN (gain=2)}}{0.138 \text{ seconds}}$$

where 'average signal (DN)' is the average of all pixels in the sensor array and 'el-per-DN (gain=2)' is measured on each sensor using the photon transfer method.

15) Lag

Lag is measured as the number of electrons left in the photodiode after readout when the sensor is illuminated at 70% of Photodiode Charge Capacity.

Analog gain is set to 8. With no illumination a 64 average dark image is recorded (Dark\_ref). The 'el-per-DN' is measured using the photon transfer method.

Illumination is adjusted blink every other frame such that the mean image output is 70% of the Photodiode Charge Capacity for even frames, and with no illumination for odd frames. A 64 frame average of Odd Dark Frames is recorded as Dark\_Lag.

$$\text{Lag} = (\text{Dark\_Lag} - \text{Dark\_Ref}) \cdot \text{el-per-DN}$$

Units : Electrons rms

16) Photodiode Charge Capacity

The sensor analog gain is reduced to < 1 to prevent ADC clipping at 1023 dn. The 'el-per-DN' is measured using the photon transfer method. The sensor is illuminated at a light level ~1.5x the illumination at which the pixel output no longer linearly changes with illumination level. The Photodiode Charge Capacity is equal to the average signal (DN) · el-per-DN. Units: electrons rms.

17) Dark Field Faint Column/Row Defect

A 4 frame average, no illumination image is acquired at one line time of integration. Major defective pixels are removed (> 5 Sigma). All columns or rows are averaged together. The average of the local ROI of 128 columns or rows about the column/row being tested is determined. Any columns/rows greater than the local average by more than the threshold are identified.

18) Bright Field Faint Column/Row Defect

A 4 frame average, 70% illumination image is acquired at one line time of integration. Major defective pixels are removed (> 5 Sigma). All columns or rows are averaged together. The average of the local ROI of 128 columns or rows about the column/row being tested is determined. Any columns/rows greater than the local average by more than the threshold are identified.

19) Total Pixelized Noise

This test is performed with no illumination and one line of integration time. A single image is captured including both Temporal and Fixed Pattern Noise (FPN). A spatial low pass filter is applied to remove shading and deviant pixels (± three standard deviations) are removed. The Total Pixelized Noise is defined as one standard deviation of the frequency histogram.

20) Responsivity ke-/lux-sec

This number is calculated by integrating the multiplication of the sensor QE by the human photopic response assuming a 3200K light source with a QT100 IR filter. This is a sharp 650 nm cutoff filter. If the IR filter is removed a higher response value will result.

21) Responsivity V/lux-sec

Voltage levels are not output from the sensor. This metric uses the pixel output in volts at the ADC input for 1x Analog Gain.



**OPERATION**

This section is a brief discussion of the most common features and functions assuming default conditions. See the *KAC-12040 User Guide* for a full explanation of the sensor operation modes, options, and registers.

**Register Address**

The last bit of any register address is a Read/Write bit. Most references in this document refer to the Write address.

All SPI reads are to an even address, all SPI writes are to an odd address.

**Sensor States**

Figure 12 shows the sensor states, see the *KAC-12040 User Guide* for detailed explanation of the States.

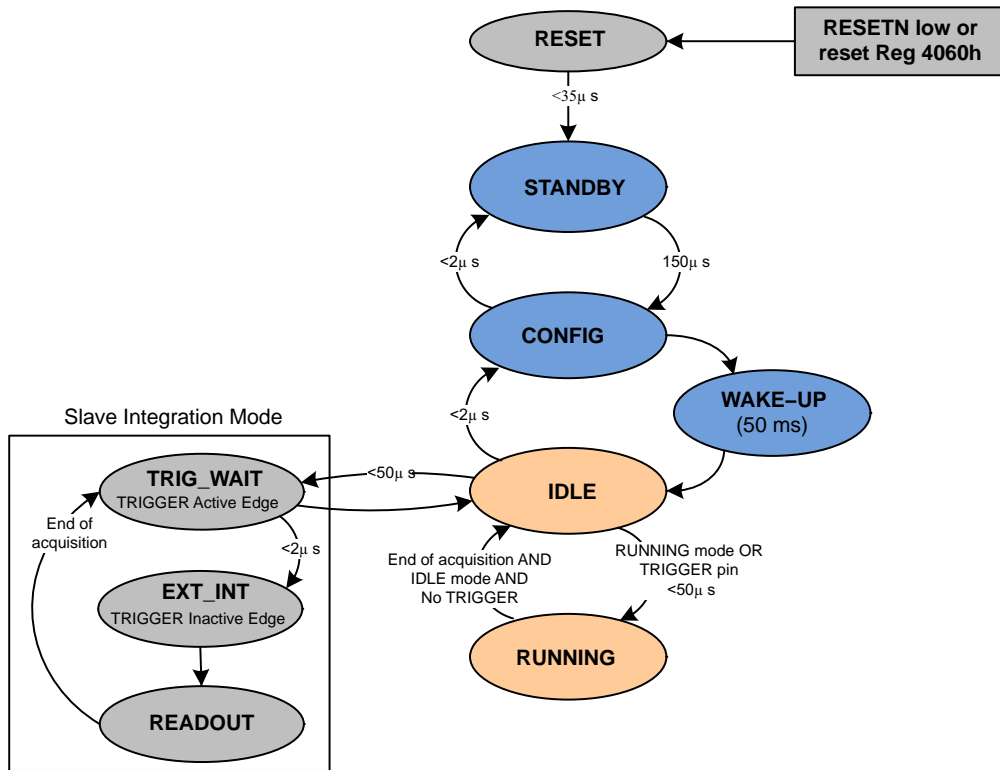


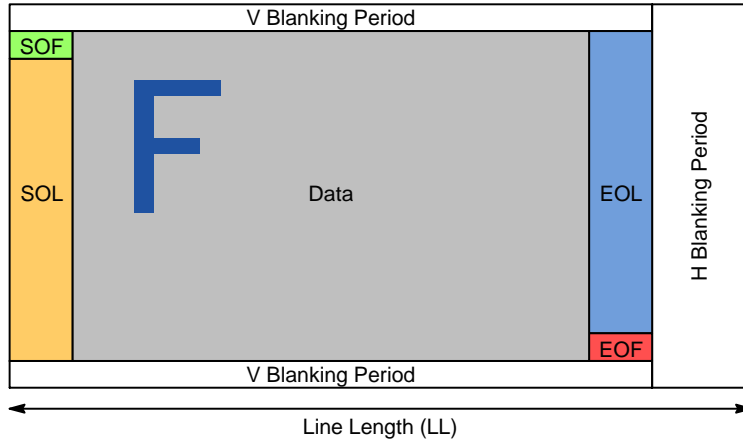
Figure 12. Sensor State Diagram

# KAC-12040

## Encoded Syncs

To facilitate system acquisition synchronization the KAC-12040 places synchronization words (SW) at the beginning and at the end of each output row as indicated in

the following Figure 13. This is performed for each of the 8 LVDS output banks providing frame, line, and output synchronization. See the *KAC-12040 User Guide* for additional detail on LVDS and Encoded Sync output.

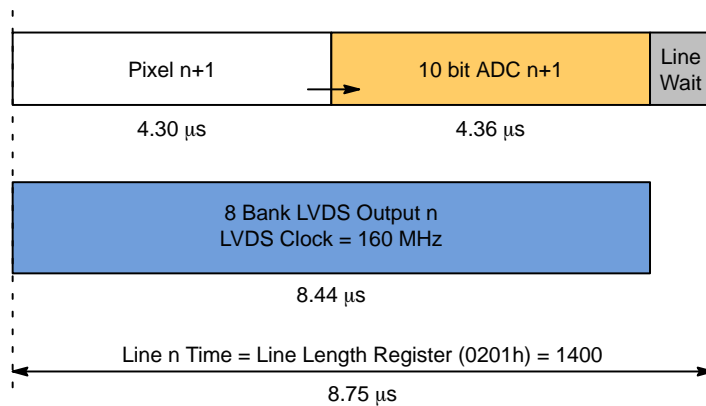


**Figure 13. Encoded Frame Syncs**

## Line Time

This Datasheet presumes the recommended startup script that is defined in the *KAC-12040 User Guide* has been applied. The KAC-12040 defaults to Dual-Scan mode. In this mode the LVDS data readout overlaps the pixel readout and ADC conversion time. The Pixel and ADC conversion time are fixed (for 10 bit operation) and total  $\sim 8.66 \mu\text{s}$ . The LVDS time will be dependent on the PLL2 frequency selected. If the  $\text{PLL2} < 313 \text{ MHz}$ , then the LVDS data readout will dominate the row time. For  $\text{PLL2} > 313 \text{ MHz}$ , the Pixel + ADC will set the minimum Line Time. The Line Time is not impacted by the selection of Rolling Shutter or Global Shutter mode.

The KAC-12040 architecture always outputs two rows at once, one row from the top ADC, and one from the bottom ADC. Each ADC then divides up the pixel into  $1 \rightarrow 4$  parallel pixel output LVDS Banks. The default is 4 output banks per ADC for a total of 8 parallel pixel outputs to minimize the LVDS data output time. Since the sensor always outputs 2 rows at a time the timing and registers are based on a Line Time (LT) or Line Length (LL) where one  $\text{LT} =$  the time to readout 2 rows in parallel (one even row and one odd row).



**Figure 14. Default Line Time (Dual-Scan) with PLL2 = 320 MHz**

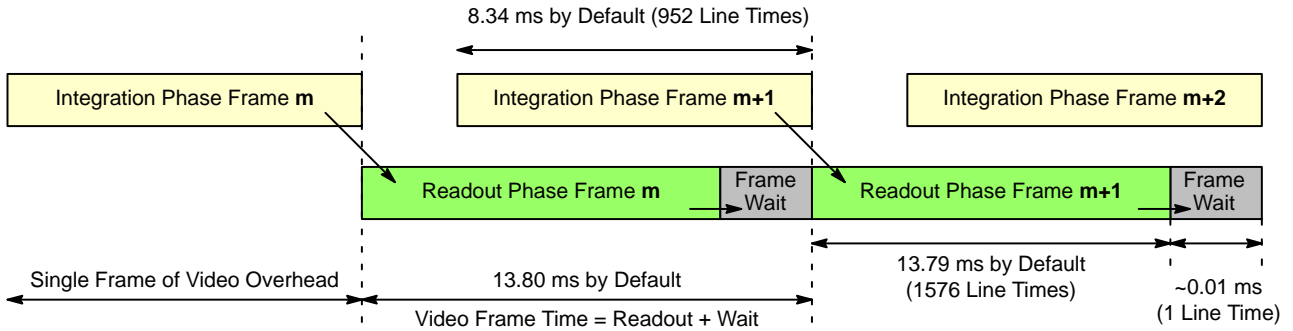
**Frame Time**

The frame time is defined in units of Line Time. 1 Line Time unit = 2 output rows. To first-order the frame rate is not directly impacted by selection of Global Shutter, Rolling Shutter, Dual-Scan, or Tri-Scan.

The Frame Time is made up of three phases:

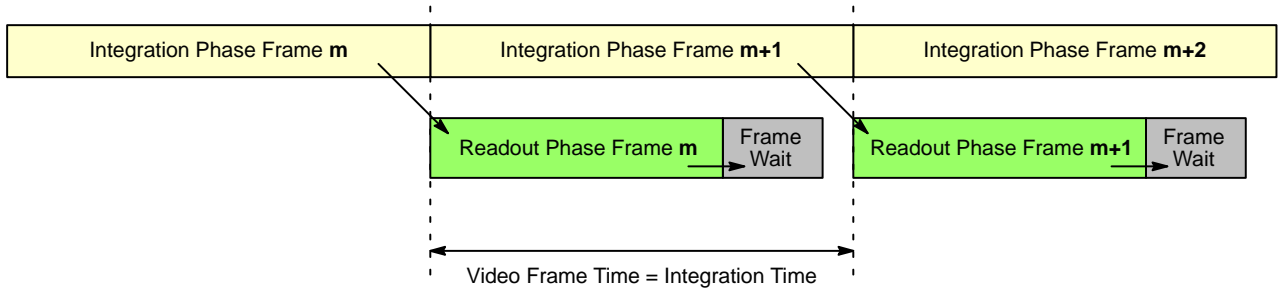
1. Integration Phase
2. Readout Phase
3. Frame Wait Phase (Vertical Blanking,  $V_{BLANK}$ )

By default the Integration Phase overlaps the Readout and Frame Wait Phases. If the Integration Phase is larger than the Readout + Frame Wait time, then the Integration Phase will determine the video frame rate. Otherwise the frame rate will be set by the Readout + Frame Wait time. In other words, if the programmed integration time is larger than the minimum readout time (and vertical blanking) then extra vertical blanking will be added and the frame rate will slow to accommodate the requested integration time.



**Figure 15. Default Frame Time Configuration (Frame A)**

If the Integration Phase is less than the Readout Phase then the start of integration is automatically delayed to minimize the storage time and dark current.



**Figure 16. Frame Time with Extended Integration Time**

If the Readout Phase (+  $V_{BLANKING}$ ) is less than the Integration Phase, then the readout occurs as soon the integration is complete to minimize the storage time and dark current.

See the *KAC-12040 User Guide* for detailed calculation of the Integration Phase, Readout Phase, and Frame Wait. To first-order the Readout Phase is equal to the number of rows  $\cdot$  row\_time.

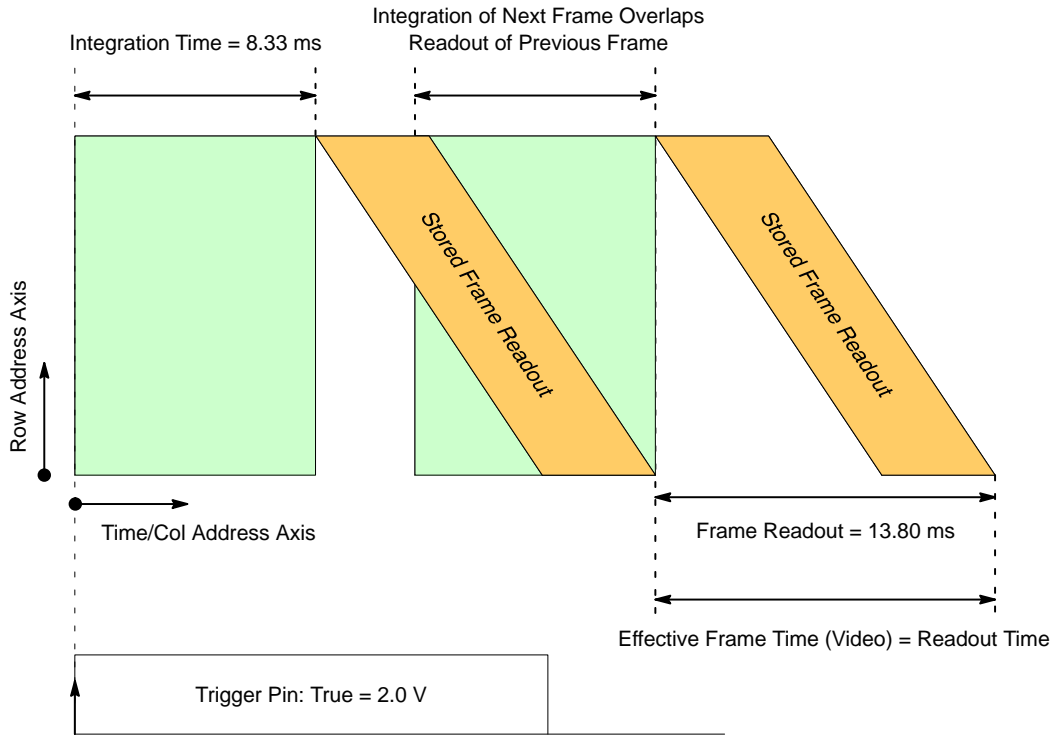
**Global Shutter Readout**

Global Shutter readout provides the maximum precision for freezing scene motion. Any motion artifacts will be 100% defined by an ideal integration time edge. Every pixel in the array starts and stops integration at the same time.

Figure 17 illustrates a Global Shutter Frame readout assuming the recommended Start-up Script defined in the *KAC-12040 User Guide* (8 LVDS banks, Dual-Scan, 8.75  $\mu$ s line time). The Frame Wait Phase is not shown due to its small default size (1 LL) and for clarity.

Global Shutter readout mode is selected using Bits [1:0] of Register 01D1h.

Images can be initiated by setting and holding the TRIGGER input pin or by placing the sensor into RUNNING mode by writing 03d to register 4019h. If the TRIGGER input pin is true when at the start of the integration time for the next frame then the sensor will complete an additional frame integration and readout. In the case shown in Figure 17 two frames will be output.



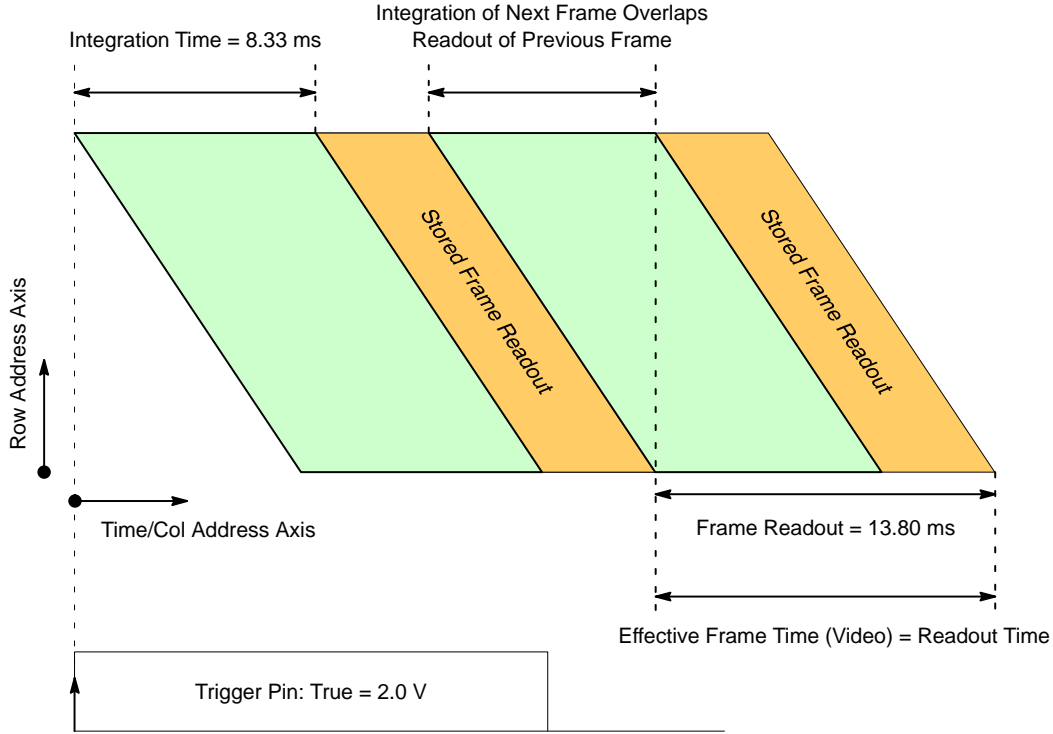
**Figure 17. Illustration of Frame Time for Global Shutter Readout**

**Rolling Shutter Readout**

The KAC-12040 high speed Rolling Shutter readout provides the maximum dynamic range while still providing excellent motion capture. In Rolling Shutter the readout more closely matches a film camera shutter. Each row of the image receives the same integration time, but each row starts and ends at a different time as the shutter travels from the top

of the array to the bottom. In the Figure 18 frame time illustration this ‘moving shutter’ displays as a sloped edge for the blue pixel array region, just as the readout edge is sloped.

The Figure 18 illustration shows a 2 frame output sequence using the external TRIGGER pin.



**Figure 18. Illustration of Frame Time for Rolling Shutter Readout**

Rolling Readout mode can be selected using Bits [1:0] of Register 01D1h.

Images can be initiated by setting and holding the TRIGGER input pin or by placing the sensor into

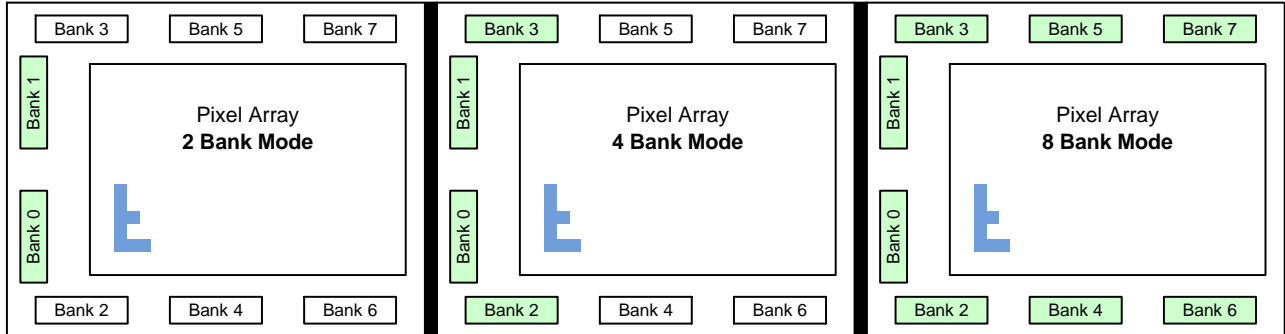
RUNNING mode by writing 03d to register 4019h. If the TRIGGER input pin is True when at the start of the integration time for the next frame then the sensor will complete an additional frame integration and readout.

**8 BANK LVDS DATA READOUT**

**LVDS Banks**

The KAC-12040 provides 8 parallel pixel banks, each consisting of 8 LVDS differential pairs (7 data pairs + 1 clock pair). This allows the output of 8 pixels per LVDS clock

period. All 7 data pairs, of each bank, are used only in 14 bit operation mode. By default only 5 data pairs are used for 10 bit mode (D4 → D0). The unused pairs are held in low-power high impedance mode.



**Figure 19. LVDS Bank Labeling**

The number of output banks used is independent of the ADC bit depth chosen. By default the KAC-12040 uses all 8 output banks for maximum frame rate. If technical restrictions prevent the use of 8 LVDS banks, the sensor can be programmed to use 4 or 2 banks, however this can result in reduced frame rate and reduction of image quality. It is recommended that 8 banks be used when possible. Only the 8 bank option is discussed in detail in this specification, see the *KAC-12040 User Guide* for additional detail on 4 and 2 bank mode.

In order to minimize the LVDS clock rate (and power) for a given data rate the pixels are output in DDR (Double Data Rate) where the MSB is always sent first (on rising edge) and the LSB second (falling edge) This is not programmable.

**Ports per LVDS Bank**

The MSB comes out first on the falling edge, followed by the LSB on the net rising edge.

**Table 13. NUMBER OF LVDS PAIRS (PORTS) USED VS. BIT DEPTH**

Bit Depth	Edge of DATA CLK	Data0	Data1	Data2	Data3	Data4	Data5	Data6
14 bits	Falling (MSB Nibble)	D7	D8	D9	D10	D11	D12	D13
	Rising (LSB Nibble)	D0	D1	D2	D3	D4	D5	D6
12 bits	Falling (MSB Nibble)	D6	D7	D8	D9	D10	D11	HiZ
	Rising (LSB Nibble)	D0	D1	D2	D3	D4	D5	HiZ
10 bits	Falling (MSB Nibble)	D5	D6	D7	D8	D9	HiZ	HiZ
	Rising (LSB Nibble)	D0	D1	D2	D3	D4	HiZ	HiZ
8 bits	Falling (MSB Nibble)	D4	D5	D6	D7	HiZ	HiZ	HiZ
	Rising (LSB Nibble)	D0	D1	D2	D3	HiZ	HiZ	HiZ

**8 Bank Pixel Order**

The KAC-12040 always processes two rows at a time. Even row decodes are sent to the bottom ADC and LVDS output banks (0, 2, 4, 6). Odd rows are sent to the top ADC and LVDS banks (1, 3, 5, 7). The ROI must be (and is internally forced to) an even size and always starting on an even row decode.

The rows are read out progressively left to right (small column address to large). Eight pixels are sent out of the chip at once, one pixel per LVDS bank per LVDS clock cycle.

Pixel Readout order:

1. Two rows are selected, the even row is sent to the bottom ADC and the odd row to the top ADC.
2. Each ADC converts its row of pixel data at once and stores the result in a line buffer.
3. At default settings there are 4 output LVDS banks for each ADC.

4. Each LVDS Bank outputs one pixel per clock cycle, so 4 pixels of each row are output each full LVDS clock cycle, two rows in parallel for 8 pixels per clock cycle total.
5. The pixels are sent out from left to right (low column number to high column number). So the first 4 pixels are sent out on clock cycle 1, and the next 4 pixels to the right are sent out on clock cycle 2.
6. To conserve the number of wires per port, the 10 bits per pixel are sent out DDR (Dual Data Rate) over 5 ports. On the falling edge the upper 5 MSB bits are sent out, and on the rising edge the lower 5 bits LSB are sent out. Completing one full LVDS clock cycle and one set of eight pixels.

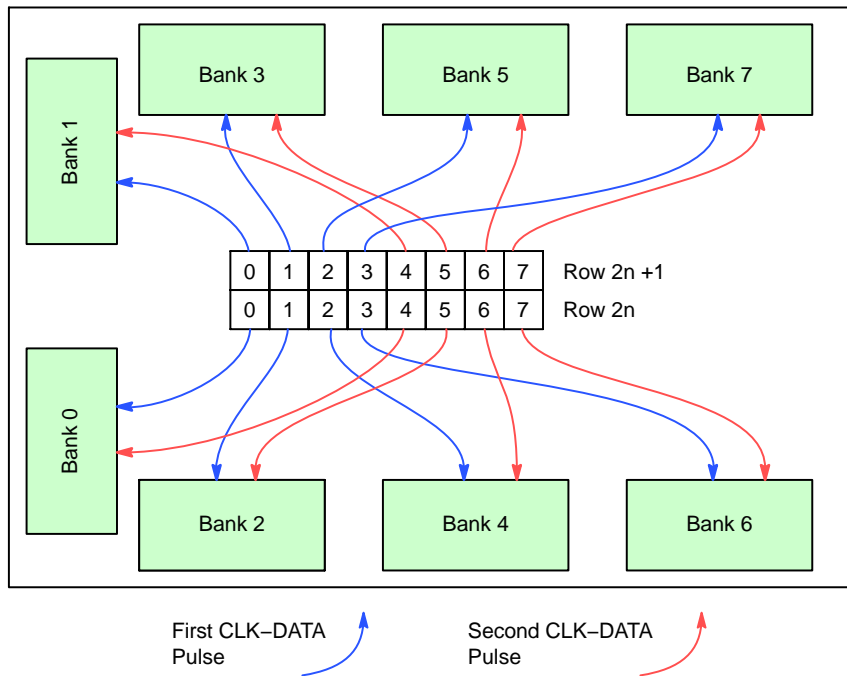


Figure 20. Pixel Readout Order Diagram

Table 14. PIXEL READOUT ORDER TABLE

LVDS Bank	Row	Pixel Number				
Bank 0	2n (Even)	0	4	8	12	16
Bank 2	2n (Even)	1	5	9	13	17
Bank 4	2n (Even)	2	6	10	14	18
Bank 6	2n (Even)	3	7	11	15	19
Bank 1	2n+1 (Odd)	0	4	8	12	16
Bank 3	2n+1 (Odd)	1	5	9	13	17
Bank 5	2n+1 (Odd)	2	6	10	14	18
Bank 7	2n+1 (Odd)	3	7	11	15	19
LVDS Clock Cycle		1	2	3	4	5

**De-Serializer Settings**

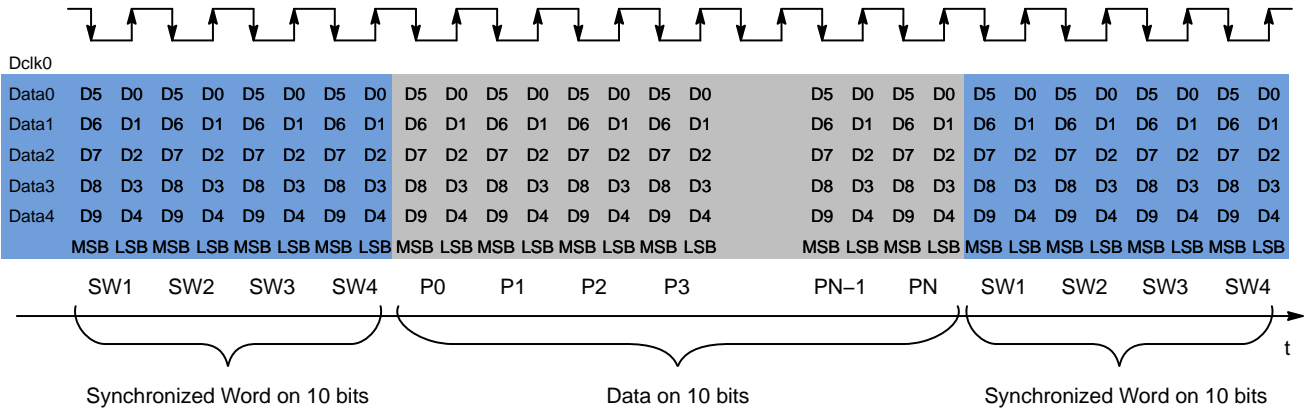
Figure 21 shows the data stream of one LVDS bank for 10 bit resolution.

Data serialization is fixed at 2 cycle DDR for all bit depths. Data output order is MSB first on the falling edge, and LSB following on the rising edge.

Four pixel values per synchronization word are embedded into the video stream per LVDS bank.

The SOL/SOF synchronization words are sent out of each LVDS bank before the first valid pixel data from that bank. Each bank outputs all 4 syncs of the SOF or SOL.

And each of the active LVDS banks each output all 4 sync codes for the EOL/EOF.



**Figure 21. Data Stream of One LVDS Bank for 10 bits ADC Resolution**



## REGISTER DEFINITION

Table 15. REGISTER DEFINITION

16 bit Write Address (Hex)	Default Value Hex/Dec	SPI State	Group	Register Name
0001	420d	Any	Frame A Definition	Frame A ROI y1
0009	2176d	Any	Frame A Definition	Frame A ROI h1
0011	80d	Any	Frame A Definition	Frame A ROI x1
0019	3856d	Any	Frame A Definition	Frame A ROI w1
0021	0d	Any	Frame A Definition	Frame A sub-ROI y2
0029	0d	Any	Frame A Definition	Frame A sub-ROI h2
0031	0d	Any	Frame A Definition	Frame A sub-ROI x2
0039	0d	Any	Frame A Definition	Frame A sub-ROI w2
0041	0d	Any	Frame A Definition	Frame A sub-ROI y3
0049	0d	Any	Frame A Definition	Frame A sub-ROI h3
0051	0d	Any	Frame A Definition	Frame A sub-ROI x3
0059	0d	Any	Frame A Definition	Frame A sub-ROI w3
0061	0d	Any	Frame A Definition	Frame A sub-ROI y4
0069	0d	Any	Frame A Definition	Frame A sub-ROI h4
0071	0d	Any	Frame A Definition	Frame A sub-ROI x4
0079	0d	Any	Frame A Definition	Frame A sub-ROI w4
0081	0033d	Any	Frame A Definition	Frame A Decimation
0089	0d	Any	Frame A Definition	Frame A Video Blanking
0091	800d	Any	Frame A Definition	Frame A Integration Lines
0099	0d	Any	Frame A Definition	Frame A Integration Clocks
00A1	10d	Any	Frame A Definition	Frame A Black Level
00A9	001Fh	Any	Frame A Definition	Frame A Gain
00E9	0d	Any	Frame B Definition	Frame B ROI y1
00F1	3016d	Any	Frame B Definition	Frame B ROI h1
00F9	0d	Any	Frame B Definition	Frame B ROI x1
0101	4016d	Any	Frame B Definition	Frame B ROI w1
0109	0d	Any	Frame B Definition	Frame B sub-ROI y2
0111	0d	Any	Frame B Definition	Frame B sub-ROI h2
0119	0d	Any	Frame B Definition	Frame B sub-ROI x2
0121	0d	Any	Frame B Definition	Frame B sub-ROI w2
0129	0d	Any	Frame B Definition	Frame B sub-ROI y3
0131	0d	Any	Frame B Definition	Frame B sub-ROI h3
0139	0d	Any	Frame B Definition	Frame B sub-ROI x3
0141	0d	Any	Frame B Definition	Frame B sub-ROI w3
0149	0d	Any	Frame B Definition	Frame B sub-ROI y4
0151	0d	Any	Frame B Definition	Frame B sub-ROI h4
0159	0d	Any	Frame B Definition	Frame B sub-ROI x4
0161	0d	Any	Frame B Definition	Frame B sub-ROI w4
0169	033h	Any	Frame B Definition	Frame B Decimation
0171	0d	Any	Frame B Definition	Frame B Video Blanking
0179	800d	Any	Frame B Definition	Frame B Integration Lines
0181	0d	Any	Frame B Definition	Frame B Integration Clocks
0189	10d	Any	Frame B Definition	Frame B Black Level
0191	001Fh	Any	Frame B Definition	Frame B Gain

Table 15. REGISTER DEFINITION (continued)

16 bit Write Address (Hex)	Default Value Hex/Dec	SPI State	Description
01D1	CC11h	CONFIG Only	Config1
01D9	0000h	CONFIG or IDLE	Config2
01E1	000Ah	CONFIG or IDLE	Analog/Digital Power Mode
01E9	0000h	CONFIG or IDLE	Dual-Video Repetition
01F1	0d	CONFIG or IDLE	Vertical Blanking
01F9	1938d	CONFIG or IDLE	Fixed Frame Period
0201	1376d	CONFIG or IDLE	Line Length (LL)
0209	0028h	CONFIG or IDLE	ADC Bit Depth
0211	0000h	CONFIG or IDLE	FLO Edge
0219	0000h	CONFIG or IDLE	MSO Edge
0709	0000h	Any	CFA Feedback
0711	0000h	Any	Temperature Sensor FB
0719	0000h	Any	General Feedback
2059	0300h	CONFIG Only	Output Bank Select 1
2099	2877h	CONFIG Only	PLL1 Setting
20A1	0861h	CONFIG Only	PLL2 Setting
2449	0432h	CONFIG Only	Sub-LVDS Enable
2479	10ABh	Any	Column Clamp Threshold A
2481	20C7h	Any	Column Clamp Threshold B
2499	0011h	CONFIG or IDLE	Test Pattern Control 1
24A1	0220h	CONFIG or IDLE	Test Pattern Control 2
24B9	202d	CONFIG Only	Slope 1 Length
24C1	101d	CONFIG Only	Slope 2 Length
24C9	101d	CONFIG Only	Slope 3 Length
24D1	101d	CONFIG Only	Slope 4 Length
24D9	101d	CONFIG Only	Slope 5 Length
24E1	420d	CONFIG Only	Slope 6 Length
24E9	0083g	CONFIG Only	Slope 1/2 Gain
24F1	038Fh	CONFIG Only	Slope 3/4 Gain
24F9	0FBFh	CONFIG Only	Slope 5/6 Gain
2501	1F9Fh	CONFIG Only	Slope 7 Gain
2559	4804h	Any	Defect Avoidance Threshold
2561	0006h	Any	Defect Avoidance Enable
25C1	0003h	CONFIG or IDLE	Encoded Sync Config
25C9	000Ah	CONFIG Only	LVDS Power-Down
2619	000Bh	CONFIG Only	Output Bank Select 2
2D89	0000h	CONFIG Only	FLO/MSO Polarity
4001	4100h	Any	Chip Revision Code
4009	0011h	Any	Chip ID Code MSB
4011	0080h	Any	Chip ID Code LSB
4019	0000h	Any	Set Sensor State
4021	0000h	CONFIG or IDLE	OTP Address

## KAC-12040

**Table 15. REGISTER DEFINITION** (continued)

16 bit Write Address (Hex)	Default Value Hex/Dec	SPI State	Description
4029	0000h	CONFIG or IDLE	OTP Write Data
4031	0000h	CONFIG or IDLE	Command_Done_FB
4041	0000h	CONFIG or IDLE	OTP Read Data
4061	0000h	CONFIG or IDLE	Soft Reset

NOTES: SPI State (the Sensor State from which the register can be set):

1. "Any": Can be written from any state (including RUNNING).
2. "CONFIG or IDLE": These registers can be changed in IDLE or CONFIG states.
3. "CONFIG Only": Sensor must be in CONFIG state to set these registers.
4. Only Register 4018h and 4060h may be set when the sensor is in STANDBY state.

NOTES: Decimal, hexadecimal, binary values:

1. "b" denotes a binary number, a series of bits: MSB is on the left, LSB is on the right.
2. "h" or "hex" denotes a hexadecimal number (Base 16, 1–9, A–F). The letters in a hex number are always capitalized.
3. "d" denotes a decimal number.
4. Note that "0" and "1" are the same value in all number base systems and sometimes the base notation is omitted.

The KAC-12040 features an embedded microprocessor by Cortus.

**ABSOLUTE MAXIMUM RATINGS**

For Supplies and Inputs the maximum rating is defined as a level or condition that should not be exceeded at any time. If the level or the condition is exceeded, the device will be

degraded and may be damaged. Operation at these values will reduce Mean Time to Failure (MTTF).

**Table 16. SUPPLIES**

Description	Value
AVDD_LV, VDD_DIG	-0.25 V; 2.3 V
AVDD_HV, Vref_P, VDD_LVDS	-0.25 V; 4 V
DC Input Voltage at Any Input Pin	-0.25 V; VDD_DIG + 0.25 V

**Table 17. CMOS INPUTS**

Parameter	Symbol	Minimum	Typical	Maximum	Unit
Input Voltage Low Level	V <sub>IL</sub>	-0.3	-	0.35 VDD_DIG	V
Input Voltage High Level	V <sub>IH</sub>	0.65 VDD_DIG	-	VDD_DIG + 0.3	V

## OPERATING RATINGS

Table 18. INPUT CLOCK CONDITIONS

Parameter	Minimum	Typical	Maximum	Unit
Frequency for Clk_In1 and Clk_In2	45	48	50	MHz
Duty Cycle for Clk_In1 and Clk_In2	40	50	60	%
RESETN	10	–	–	ns
TRIGGER Pin Minimum Pulse Width	20	–	–	ns

TRIGGER must be active at least 4 periods of PLL1 (~12.5 ns at 320 MHz) to start a capture cycle. The polarity of the active level is configurable by SPI (Register 01D8h Bit 0), the default is active high (i.e. pin = VDD\_DIG = trigger request).

Table 19. OPERATING TEMPERATURE

Description	Symbol	Minimum	Maximum	Unit
Operating Temperature (Note 1)	T <sub>OP</sub>	–50	80	°C

1. Under conditions of no condensation on the sensor.

Table 20. CMOS IN/OUT CHARACTERISTICS

Parameter	Symbol	Minimum	Typical	Maximum	Unit
Output Voltage Low Level	V <sub>OL</sub>	–	–	0.45	V
Output Voltage High Level	V <sub>OH</sub>	VDD_DIG – 0.45	–	–	V
Input Hysteresis Voltage	V <sub>TH</sub>	–	0.25	–	
Pull-up Resistor Value for RESETN Pin	R <sub>PU</sub>	62	–	–	kΩ
Pull-down Resistor Value for TRIGGER Pin	R <sub>PD</sub>	100	–	–	kΩ
Current on ADC_REF Pin	I <sub>ADC_REF</sub>	–	100	–	μA

Table 21. SUPPLIES

Parameter	Symbol	Minimum	Typical	Maximum	Unit
LVDS IO Supply	VDD_LVDS	3.15	3.30	3.63	V
Pixel High Voltage Supply	AVDD_HV	3.40	3.50	3.60	V
Pixel Low Voltage Supply	Vref_P	2.71	2.80	2.88	V
Analog Power Supply	AVDD_LV	1.71	1.80	1.89	V
Digital Power Supply	VDD_DIG	1.90	2.00	2.10	V
AVDD_HV – Vref_P		–	0.5	–	V
Power in STANDBY State		–	10	–	mW
Current in STANDBY State					mA
VDD_LVDS		–	< 0.5	–	
AVDD_HV		–	< 0.5	–	
AVDD_LV		–	< 0.5	–	
Vref_P		–	< 0.5	–	
VDD_DIG		–	4	–	
Power in CONFIG State		–	330	–	mW
Current in CONFIG State					mA
VDD_LVDS		–	< 0.5	–	
AVDD_HV		–	< 0.5	–	
AVDD_LV		–	< 0.5	–	
Vref_P		–	< 0.5	–	
VDD_DIG		–	145	–	
Power in IDLE State		–	410	–	mW
Current in IDLE State					mA
VDD_LVDS		–	< 0.5	–	
AVDD_HV		–	20	–	
AVDD_LV		–	< 0.5	–	
Vref_P		–	< 0.5	–	
VDD_DIG		–	145	–	
Power in RUNNING State		–	1.5	–	W
Current in RUNNING State					mA
VDD_LVDS in Standard LVDS Mode		–	164	–	
VDD_LVDS in Sub-LVDS Mode		–	104	–	
AVDD_HV		–	74	–	
AVDD_LV		–	12	–	
Vref_P		–	26	–	
VDD_DIG		–	396	–	

1. Voltages relative to VSS. Current measurements made in darkness.
2. PLL2 = 320 MHz, Max frame rate (i.e., no row or frame wait time). These average power values will decrease at lower frame rate either from reduced PLL2 or low power state during Line and Frame blanking.
3. Sub-LVDS active.

**SPI (SERIAL PERIPHERAL INTERFACE)**

The SPI communication interface lets the application system to control and configure the sensor. The sensor has

an embedded slave SPI interface. The application system is the master of the SPI bus.

**Table 22.**

Name	Sensor I/O Direction	Description
CSN	I	SPI Chip Select – Active low, this input activates the slave interface in the sensor.
SCK	I	SPI Clock – Toggled by the master.
MISO	O	SPI Master Serial Data Input – Slave (sensor) serial data output.
MOSI	I	SPI Master Serial Data Output – Slave (sensor) serial data input.

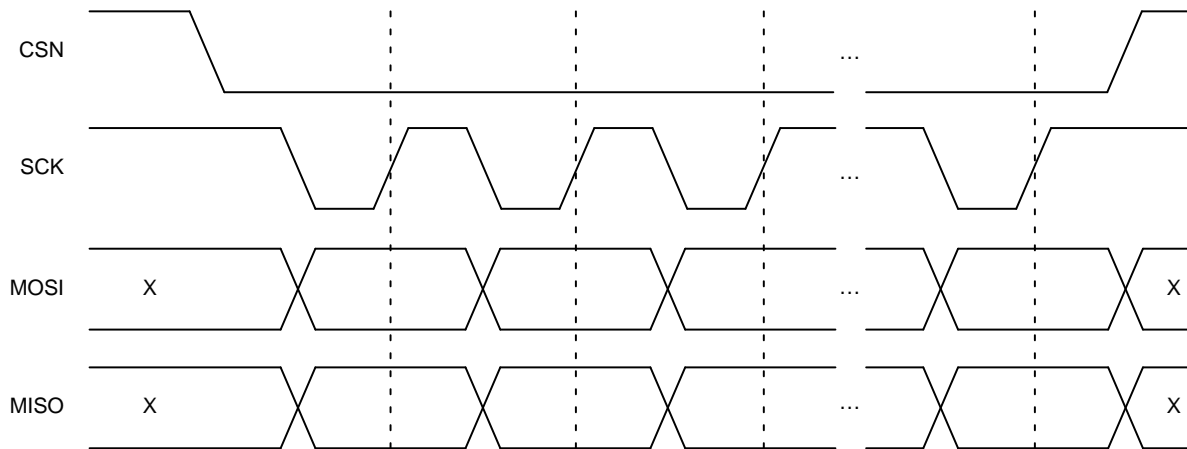
**Table 23.**

Parameter	Minimum	Typical	Maximum	Unit
SPI SCK	5	25	50	MHz
Duty Cycle on SPI SCK	40	50	60	%

**Clock Polarity and Phase**

CPOL (Clock POLarity) and CPHA (Clock PHase) are commonly defined in SPI protocol such as to define SCK clock phase and polarity. The KAC-12040 defaults to

expecting the master to be configured with CPOL = 1 (the base value of the clock is VDD\_DIG) and CPHA = 1 (data is valid on the clock rising edge).



**Figure 22. CPOL = 1 and CPHA = 1 Configuration**

SPI Protocol

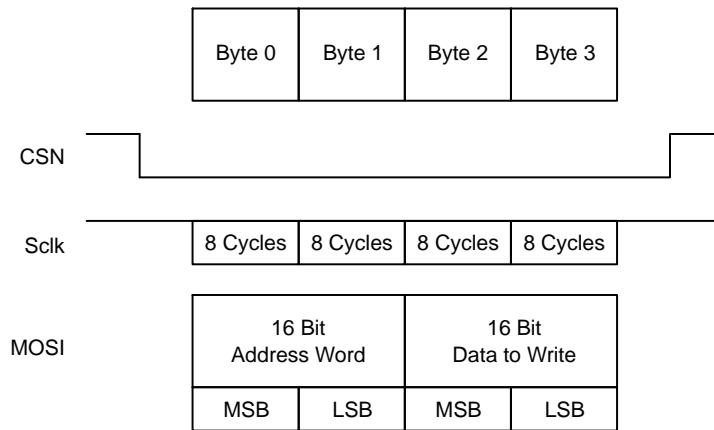


Figure 23. SPI Write Byte Order

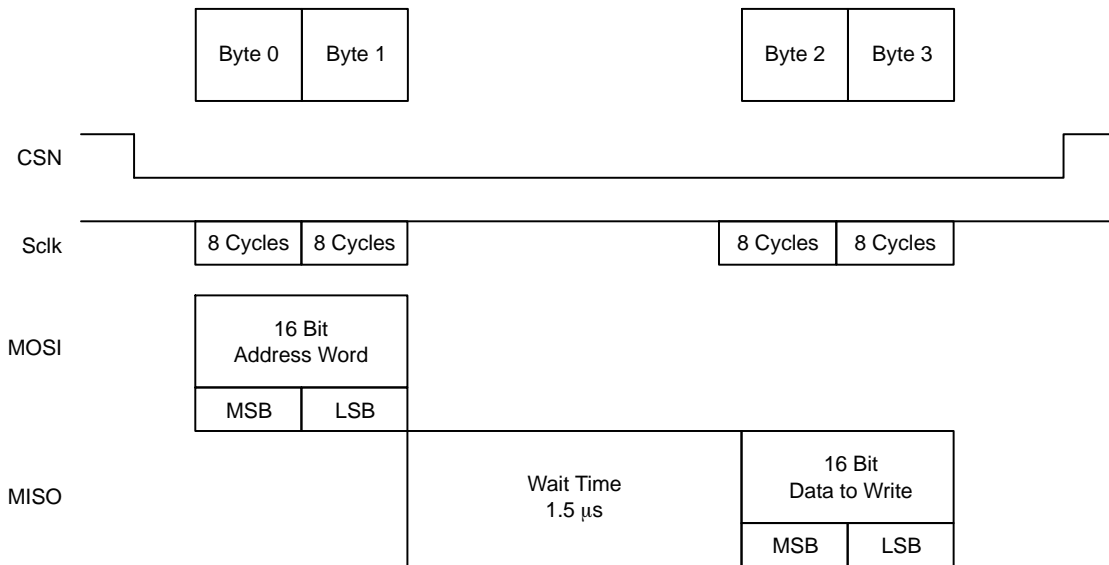


Figure 24. SPI Read Byte Order

There is a delay during readback between presenting the address to be read on the MOSI and being able to read the register contents on the MISO. This delay is not the same for all registers. Some are available immediately, some require a longer fetch time. The 1.5  $\mu$ s shown in Figure 15 is the maximum time to fetch a register's value when in CONFIG state (the recommended state for changing registers). Some registers can be adjusted during RUNNING state (see the Register Summary on page 25). If performing a readback during RUNNING state, the delay could be as long as 4.5  $\mu$ s depending on when in the row the request was sent and the sensor's microcontroller activity at that moment.

Note that readback does not provide the actual register value being used, but reflects the next value to be used. All

new register writes are placed in a shadow memory until they can be updated into the active memory. This active memory update occurs at the start of the next frame or upon entering the state listed in the Register Summary table on page 25. Register reads access this shadow memory not the active memory. For instance if the sensor is in RUNNING mode and you adjust the LL in register 200h. You can read back and confirm that your register change was received by the sensor; however, the LL will not change since register 200h can only be changed in CONFIG state. If you change the sensor state to CONFIG and then back to RUNNING, then the new LL will take effect.



SPI Interface

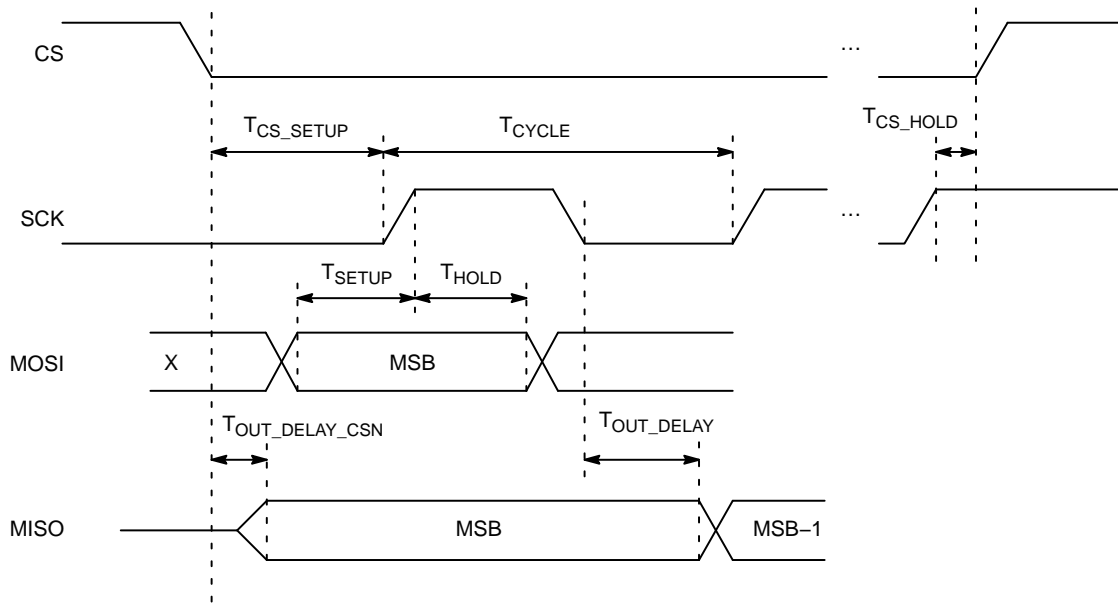


Figure 25. SPI Timing Chronogram

Table 24. SPI TIMING SPECIFICATION

Symbol	Minimum Value	Maximum Value	Unit
$T_{CYCLE}$	20	200	ns
$T_{SETUP}$	-	2.9	ns
$T_{HOLD}$	0.8	-	ns
$T_{CS\_SETUP}$	-	2.5	ns
$T_{CS\_HOLD}$	0.1	-	ns
$T_{OUT\_DELAY\_CSN}$	3.1	4.7	ns
$T_{OUT\_DELAY}$	4.9	8.7	ns

**LVDS INTERFACE**

The data output can be configured to follow standard TIA/EIA-644-A LVDS specification or a low power mode compatible with common Sub-LVDS definition used in FPGA industry. (Please refer to the *KAC-12040 User Guide* for more information).

Unless otherwise noted, min/max characteristics are for T = -40°C to +85°C, output termination resistance

RL = 100 Ω ±1%, Typical values are at VDD\_LVDS = 3.3 V.

Use register 2449h to select standard or Sub-LVDS. This document assumes that Sub-LVDS is active for all power measurements. Standard LVDS can increase the average power consumption as much as 200 mW in the case of minimum horizontal and vertical blanking.

**Table 25. STANDARD LVDS CHARACTERISTICS**

Parameter	Symbol	Minimum	Typical	Maximum	Unit
Differential Output Voltage	VOD	250	355	450	mV
VOD Variation between Complementary Output States	ΔVOD	-20	-	20	mV
Common Mode Output Voltage	VOCM	1.235	1.259	1.275	V
VOCM Variation between Complementary Output States	ΔVOCM	-25	-	25	mV
High Impedance Leakage Current	IOZD	-1	-	1	μA
Output Short Circuit Current: When D+ or D- Connected to Ground When D+ or D- Connected to 3.3 V	IOSD	2.9 12.25	- -	4.3 30.47	mA
Output Capacitance	CDO	-	1.3	-	pF
Maximum Transmission Capacitance Load Expected (for 260 MHz LVDS Clock)		-	-	10	pF

**Table 26. SUB-LVDS CHARACTERISTICS**

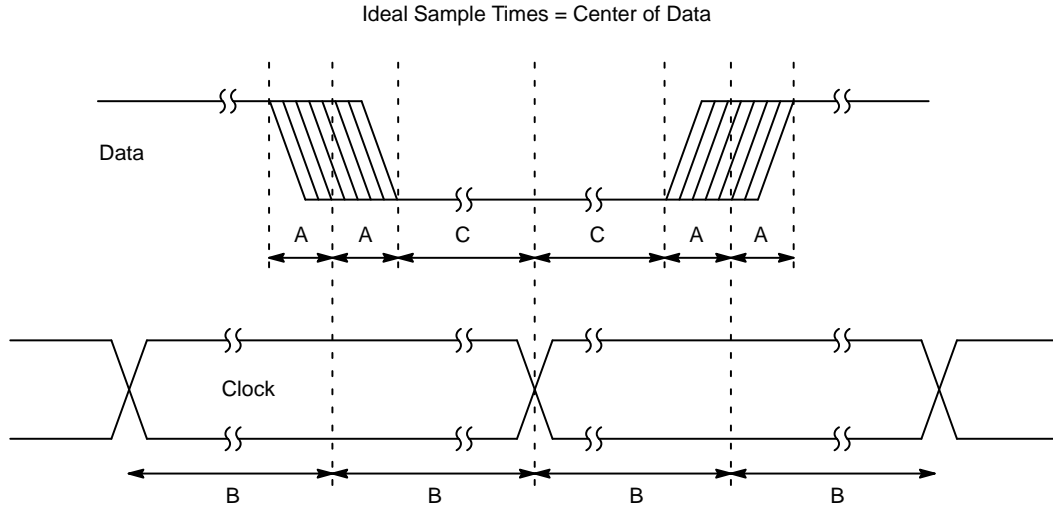
Parameter	Symbol	Minimum	Typical	Maximum	Unit
Differential Output Voltage	V <sub>OD</sub>	140	180	220	mV
VOD Variation between Complementary Output States	ΔV <sub>OD</sub>	-5	-	5	mV
Common Mode Output Voltage	V <sub>OCM</sub>	0.88	0.90	0.92	V
VOCM Variation between Complementary Output States	ΔV <sub>OCM</sub>	-10	-	10	mV
High Impedance Leakage Current	I <sub>OZD</sub>	-1	-	1	μA
Output Short Circuit Current: When D+ or D- Connected to Ground When D+ or D- Connected to 3.3 V	I <sub>OSD</sub>	1.4 10.21	- -	2.2 30.47	mA
Output Capacitance	C <sub>DO</sub>	-	1.3	-	pF
Maximum Transmission Capacitance Load Expected (for 260 MHz LVDS Clock)		-	-	10	pF

**Table 27.**

Parameter	Minimum	Typical	Maximum	Unit
LVDS_CLK	50	160	160	MHz
Duty Cycle on LVDS_CLK	-	50	-	%

**In-Block LVDS Timing Specification**

The tables below give LVDS timing specifications for no data de-skew applied and with data de-skewing applied.



**Figure 26. LVDS Timing Chronogram**

**Table 28. IN-BLOCK LVDS TIMING SPECIFICATION** (Data Transition Uncertainty – No De-Skew Applied)

Parameter	Value	Description
A	360 ps	Max Data Transition Uncertainty (Skew + Jitter)
B	LVDS Clock Period/4	1/4 LVDS Clock Period = 1/2 PLL2 Period
C	C = B – A	Minimum Receiver Setup/Hold Time Sample Window

KAC-12040 Example at Maximum PLL2 Speed (320 MHz):

LVDS Clock Frequency = PLL2/2 = 160 MHz  
 LVDS Clock Period = 6250 ps  
 B = LVDS Clock Period/4 = 1563 ps  
 C = B – A = 1563 – 360 = 1203 ps

If the sampling window is too small the PLL2 can be reduced to increase the window (parameter C). Alternatively, the majority of the transition uncertainty is potential skew between the 7 data lines. Using de-skewing can remove 350 ps from the uncertainty window.

**Table 29. IN-BLOCK LVDS TIMING SPECIFICATION** (Data Transition Uncertainty – Data De-Skewing Applied)

Parameter	Value	Description
A	10 ps	Max Data Transition Uncertainty (Jitter)
B	LVDS Clock Period/4	1/4 LVDS Clock Period = 1/2 PLL2 Period
C	C = B – A	Minimum Receiver Setup/Hold Time Sample Window

KAC-12040 Example at Maximum PLL2 Speed (320 MHz):

LVDS Clock Frequency = PLL2/2 = 160 MHz  
 LVDS Clock Period = 6250 ps  
 B = LVDS Clock Period/4 = 1563 ps  
 C = B – A = 1563 – 10 = 1553 ps

**Table 30. INTER-BLOCK LVDS TIMING SPECIFICATION**

Parameter	Minimum	Typical	Maximum	Unit
Inter-Block Skew	–	6	12	LVDS Clock Period

## STORAGE AND HANDLING

Table 31. STORAGE CONDITIONS

Description	Symbol	Minimum	Maximum	Unit	Notes
Storage Temperature	T <sub>ST</sub>	-40	80	°C	1
Humidity	RH	5	90	%	2

1. Long-term storage toward the maximum temperature will accelerate color filter degradation.
2. T = 25°C. Excessive humidity will degrade MTTF.

For information on ESD and cover glass care and cleanliness, please download the *Image Sensor Handling and Best Practices* Application Note (AN52561/D) from [www.onsemi.com](http://www.onsemi.com).

For information on soldering recommendations, please download the *Soldering and Mounting Techniques Reference Manual* (SOLDERRM/D) from [www.onsemi.com](http://www.onsemi.com).

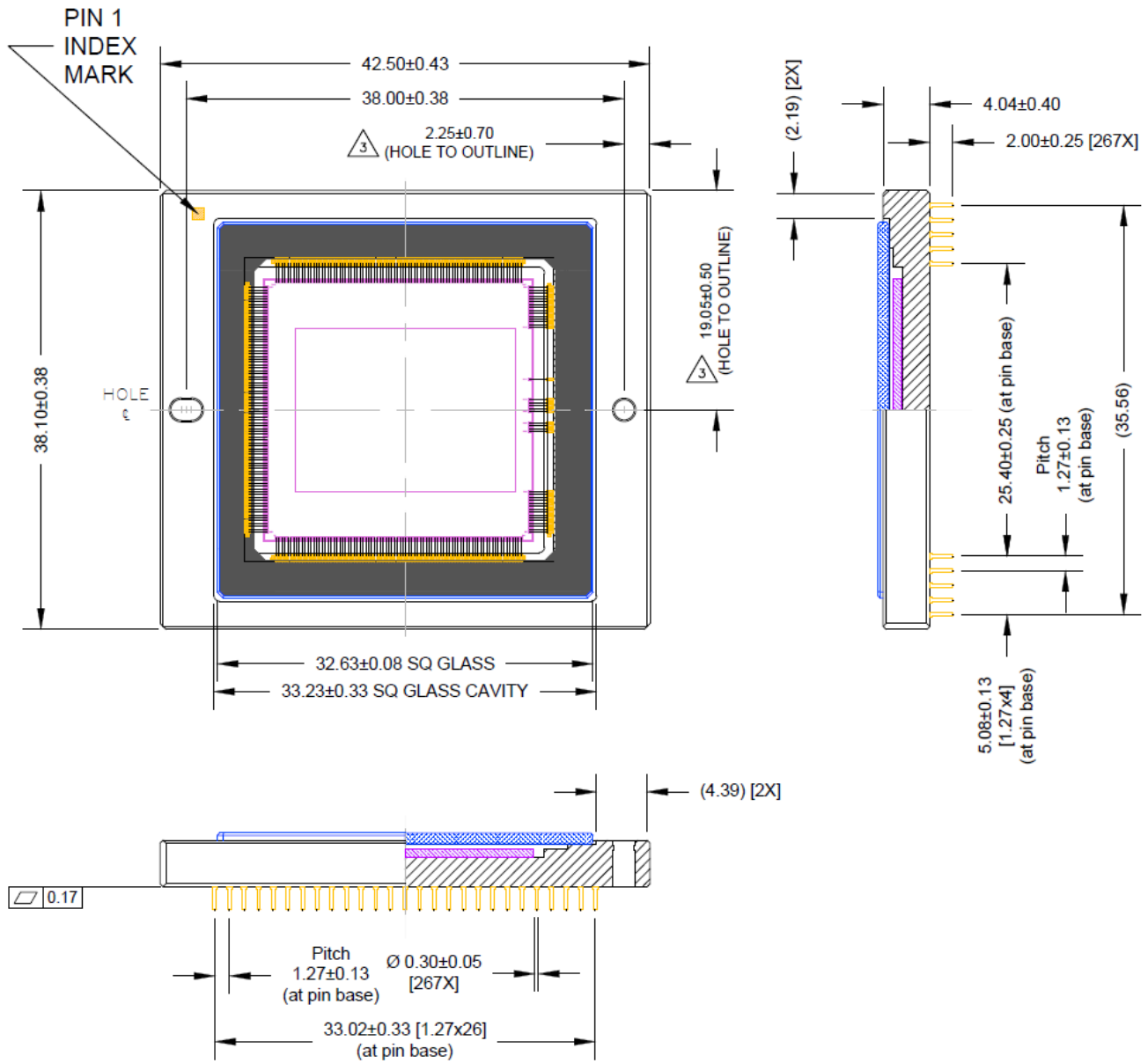
For quality and reliability information, please download the *Quality & Reliability Handbook* (HBD851/D) from [www.onsemi.com](http://www.onsemi.com).

For information on device numbering and ordering codes, please download the *Device Nomenclature* technical note (TND310/D) from [www.onsemi.com](http://www.onsemi.com).

For information on Standard terms and Conditions of Sale, please download [Terms and Conditions](http://www.onsemi.com) from [www.onsemi.com](http://www.onsemi.com).

MECHANICAL INFORMATION

Completed Assembly



Notes:

1. See Ordering Information for marking code.
2. No materials to interfere with clearance through package holes.
3. Imaging Array is centered at the package center.
4. Length dimensions in mm units.

Figure 27. Completed Assembly (1 of 5)

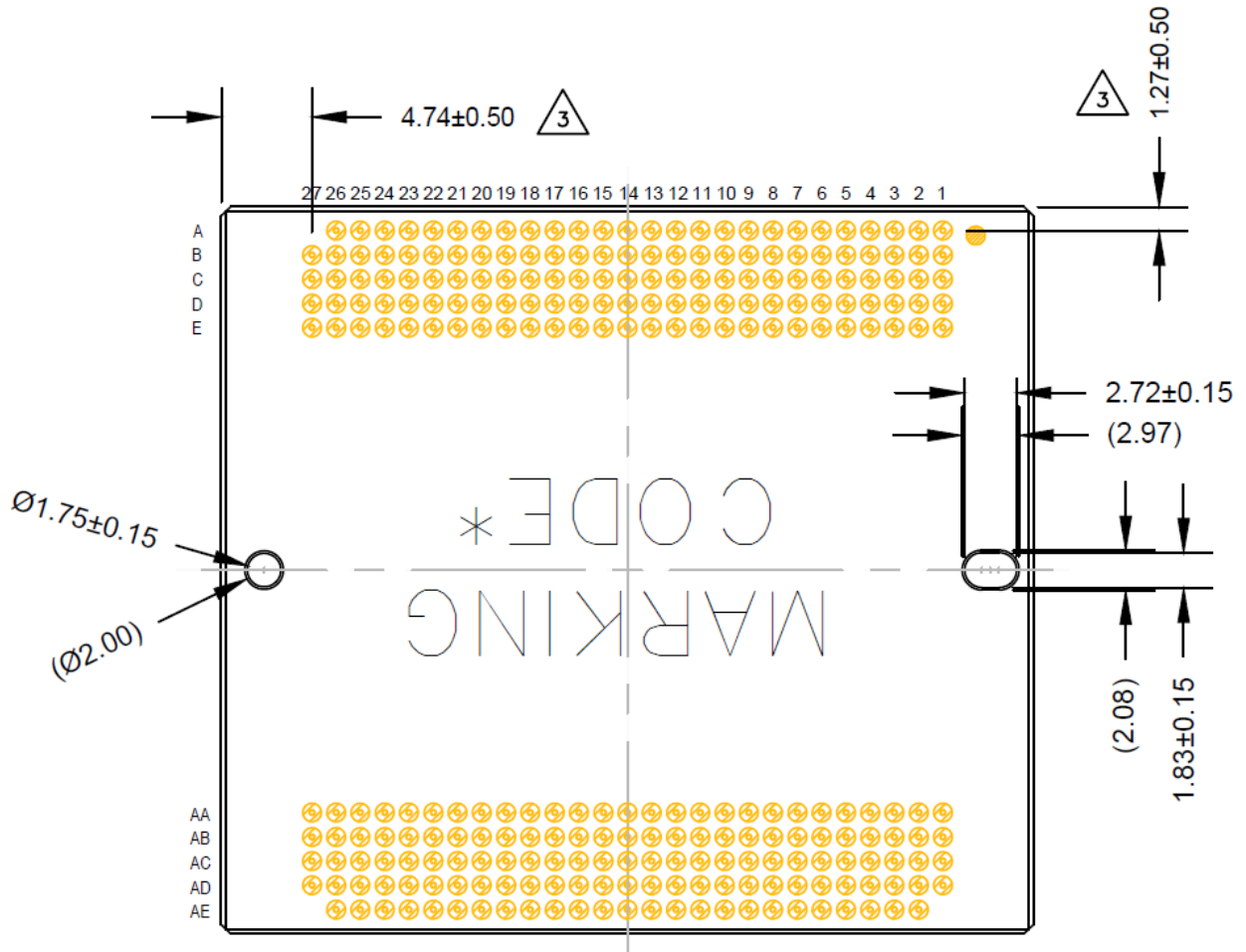


Figure 28. Completed Assembly (2 of 5)

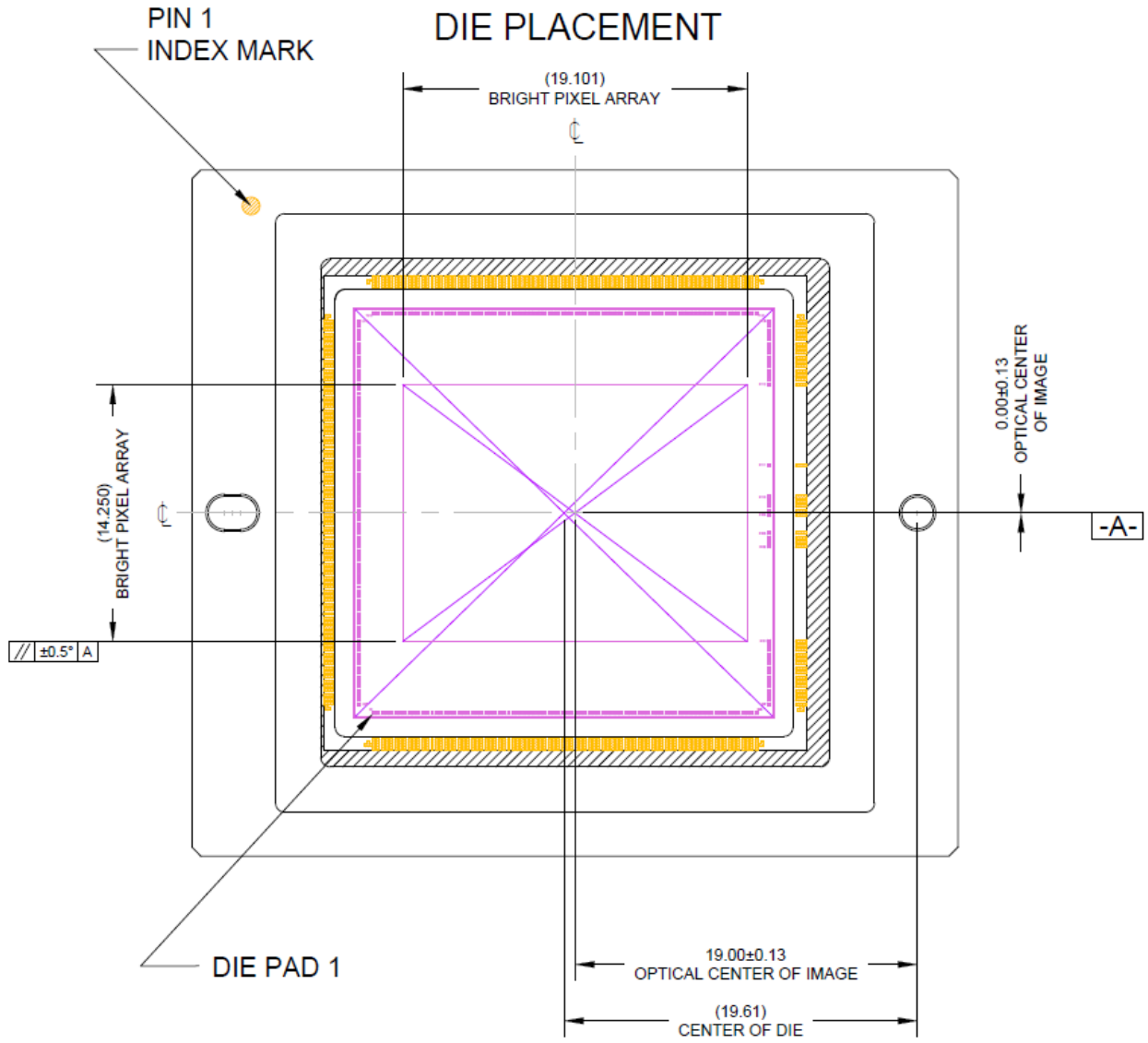


Figure 29. Completed Assembly (3 of 5)

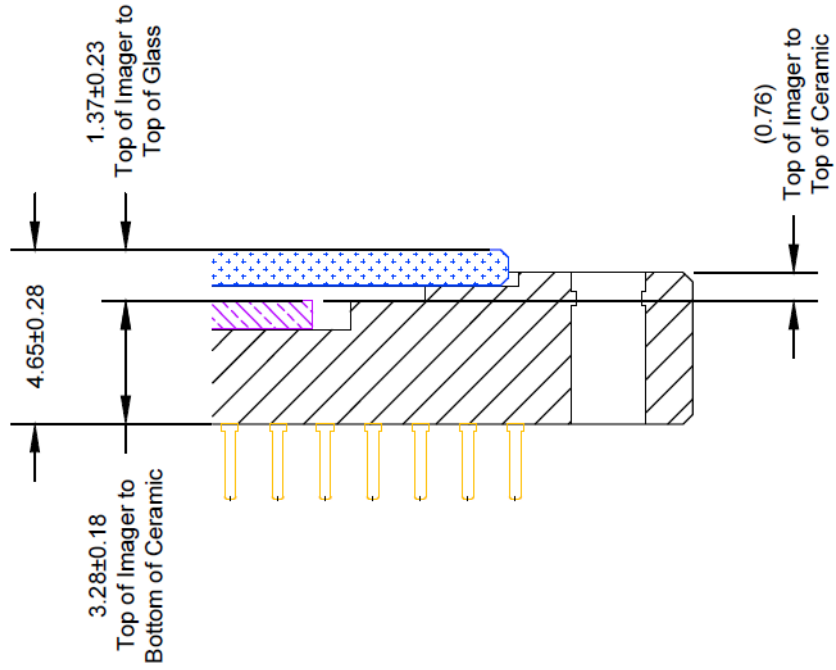


Figure 30. Completed Assembly (4 of 5)

### IMAGE ORIENTATION

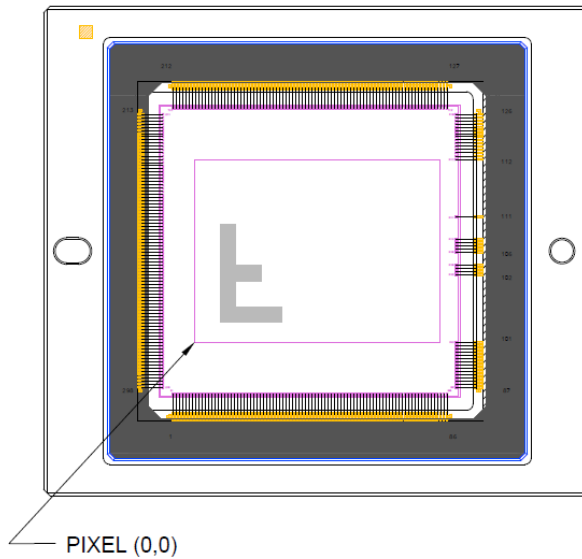
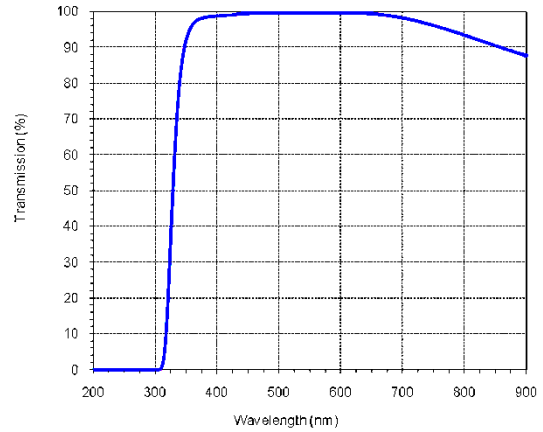
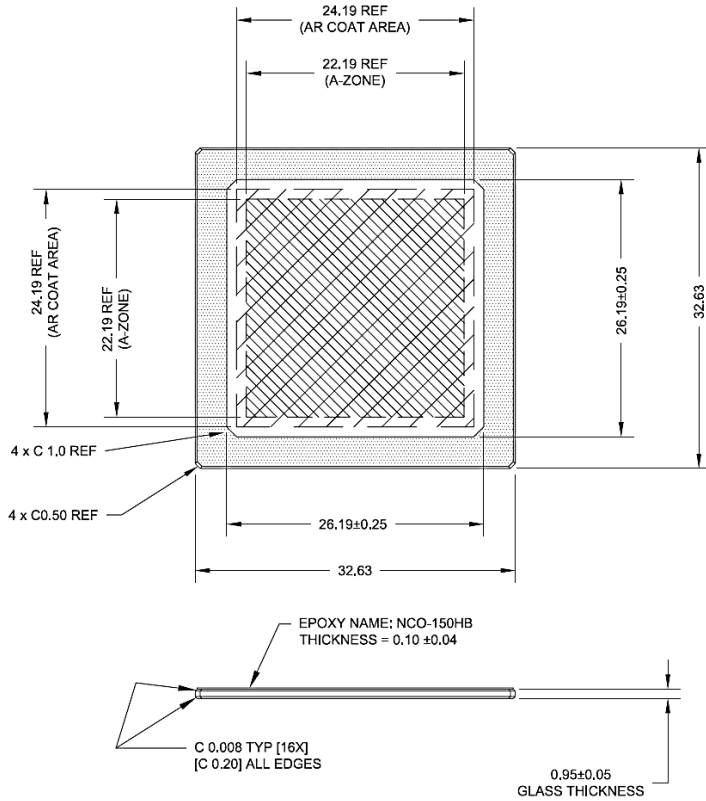


Figure 31. Completed Assembly (5 of 5)



MAR (Multi-Layer Anti-Reflective Coating) Cover Glass




405-450 nm T > 98%  
 450-650 nm T > 99%  
 650-690 nm T > 98%  
 690-770 nm T > 94%  
 770-870 nm T > 88%

Notes:

1. Units: IN [MM]
2. A-Zone Dust/Scratch Spec: 10 µm Maximum
3. Index of Refraction: 1.5231

Figure 32. MAR Cover Glass Specification

ON Semiconductor and the  are registered trademarks of Semiconductor Components Industries, LLC (SCILLC) or its subsidiaries in the United States and/or other countries. SCILLC owns the rights to a number of patents, trademarks, copyrights, trade secrets, and other intellectual property. A listing of SCILLC's product/patent coverage may be accessed at [www.onsemi.com/site/pdf/Patent-Marking.pdf](http://www.onsemi.com/site/pdf/Patent-Marking.pdf). SCILLC reserves the right to make changes without further notice to any products herein. SCILLC makes no warranty, representation or guarantee regarding the suitability of its products for any particular purpose, nor does SCILLC assume any liability arising out of the application or use of any product or circuit, and specifically disclaims any and all liability, including without limitation special, consequential or incidental damages. "Typical" parameters which may be provided in SCILLC data sheets and/or specifications can and do vary in different applications and actual performance may vary over time. All operating parameters, including "Typicals" must be validated for each customer application by customer's technical experts. SCILLC does not convey any license under its patent rights nor the rights of others. SCILLC products are not designed, intended, or authorized for use as components in systems intended for surgical implant into the body, or other applications intended to support or sustain life, or for any other application in which the failure of the SCILLC product could create a situation where personal injury or death may occur. Should Buyer purchase or use SCILLC products for any such unintended or unauthorized application, Buyer shall indemnify and hold SCILLC and its officers, employees, subsidiaries, affiliates, and distributors harmless against all claims, costs, damages, and expenses, and reasonable attorney fees arising out of, directly or indirectly, any claim of personal injury or death associated with such unintended or unauthorized use, even if such claim alleges that SCILLC was negligent regarding the design or manufacture of the part. SCILLC is an Equal Opportunity/Affirmative Action Employer. This literature is subject to all applicable copyright laws and is not for resale in any manner.

PUBLICATION ORDERING INFORMATION

**LITERATURE FULFILLMENT:**  
 Literature Distribution Center for ON Semiconductor  
 19521 E. 32nd Pkwy, Aurora, Colorado 80011 USA  
**Phone:** 303-675-2175 or 800-344-3860 Toll Free USA/Canada  
**Fax:** 303-675-2176 or 800-344-3867 Toll Free USA/Canada  
**Email:** [orderlit@onsemi.com](mailto:orderlit@onsemi.com)

**N. American Technical Support:** 800-282-9855 Toll Free  
 USA/Canada  
**Europe, Middle East and Africa Technical Support:**  
 Phone: 421 33 790 2910  
**Japan Customer Focus Center**  
 Phone: 81-3-5817-1050

**ON Semiconductor Website:** [www.onsemi.com](http://www.onsemi.com)  
**Order Literature:** <http://www.onsemi.com/orderlit>  
 For additional information, please contact your local Sales Representative

Компания «Океан Электроники» предлагает заключение долгосрочных отношений при поставках импортных электронных компонентов на взаимовыгодных условиях!

Наши преимущества:

- Поставка оригинальных импортных электронных компонентов напрямую с производств Америки, Европы и Азии, а так же с крупнейших складов мира;
- Широкая линейка поставок активных и пассивных импортных электронных компонентов (более 30 млн. наименований);
- Поставка сложных, дефицитных, либо снятых с производства позиций;
- Оперативные сроки поставки под заказ (от 5 рабочих дней);
- Экспресс доставка в любую точку России;
- Помощь Конструкторского Отдела и консультации квалифицированных инженеров;
- Техническая поддержка проекта, помощь в подборе аналогов, поставка прототипов;
- Поставка электронных компонентов под контролем ВП;
- Система менеджмента качества сертифицирована по Международному стандарту ISO 9001;
- При необходимости вся продукция военного и аэрокосмического назначения проходит испытания и сертификацию в лаборатории (по согласованию с заказчиком);
- Поставка специализированных компонентов военного и аэрокосмического уровня качества (Xilinx, Altera, Analog Devices, Intersil, Interpoint, Microsemi, Actel, Aeroflex, Peregrine, VPT, Syfer, Eurofarad, Texas Instruments, MS Kennedy, Miteq, Cobham, E2V, MA-COM, Hittite, Mini-Circuits, General Dynamics и др.);

Компания «Океан Электроники» является официальным дистрибьютором и эксклюзивным представителем в России одного из крупнейших производителей разъемов военного и аэрокосмического назначения «JONHON», а так же официальным дистрибьютором и эксклюзивным представителем в России производителя высокотехнологичных и надежных решений для передачи СВЧ сигналов «FORSTAR».



## JONHON

«JONHON» (основан в 1970 г.)

Разъемы специального, военного и аэрокосмического назначения:

(Применяются в военной, авиационной, аэрокосмической, морской, железнодорожной, горно- и нефтедобывающей отраслях промышленности)

«FORSTAR» (основан в 1998 г.)

ВЧ соединители, коаксиальные кабели, кабельные сборки и микроволновые компоненты:

(Применяются в телекоммуникациях гражданского и специального назначения, в средствах связи, РЛС, а так же военной, авиационной и аэрокосмической отраслях промышленности).



Телефон: 8 (812) 309-75-97 (многоканальный)

Факс: 8 (812) 320-03-32

Электронная почта: [ocean@oceanchips.ru](mailto:ocean@oceanchips.ru)

Web: <http://oceanchips.ru/>

Адрес: 198099, г. Санкт-Петербург, ул. Калинина, д. 2, корп. 4, лит. А