

AS85049/25 and MS3437C Straight EMI/RFI Non-Environmental Backshell



AS85049

B

CONNECTOR DESIGNATOR:

| | |
|----------|---|
| A | AS50151 Series AS34001 |
| | MIL-DTL-26482 Series II |
| | AS81703 Series III |
| | MIL-DTL-83723 Series I & III |
| | 40M39569, DEF 5326-3, EN 2997 |
| | EN 3646, ESC 10, ESC 11, LN 29504 |
| | NFC93422 Series HE302 PAN 6432-1, PAN 6432-2, PATT 602 |

Basic Part Number

Dash Number (Table II)

M85049/25 - 21 N

Superseded Part Number

MS3188C 21 N

Basic Part No.

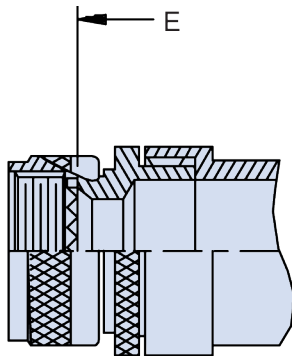
Dash No.

Finish (Material is Aluminum Only)

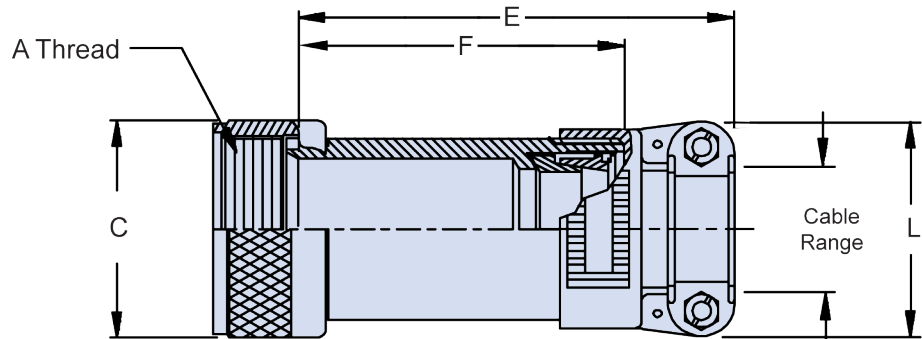
- A = Cadmium Olive Drab over Nickel
- C = Cadmium Olive Drab
- N = Electroless Nickel

Finish / Material

- B** = Black Cadmium / Stainless Steel
- N** = Electroless Nickel / Aluminum
- S** = Passivated / Stainless Steel
- W** = 1,000 Hr. Cadmium Olive Drab over Electroless Nickel / Aluminum
- X** = Aluminum, Nickel Fluorocarbon Polymer
- Z** = Aluminum, Zinc-Nickel, Black
- XS** = Stainless Steel, Nickel Fluorocarbon Polymer
- ZS** = Stainless Steel, Zinc-Nickel, Black



STYLE 2



STYLE 1

APPLICATION NOTES

1. For complete dimensions see the applicable Military Specification.
2. When maximum cable entry is exceeded, Style 2 will be supplied.
3. Metric dimensions (mm) are in parentheses.
4. Cable Range is defined as the accommodation range for the wire bundle or cable. Dimensions shown are not intended for inspection criteria.

Dimensions in inches (millimeters) and are subject to change without notice.



AS85049/25 and MS3437C Straight EMI/RFI Non-Environmental Backshell

TABLE I: Shell Size

| Dash No. | A Thread Class 2B | C Dia Ref |
|----------|-------------------|-------------|
| 03 | .562 - 24 UNEF | .77 (19.6) |
| 08 | .500 - 20 UNF | .65 (16.5) |
| 10 | .625 - 24 UNEF | .77 (19.6) |
| 12 | .750 - 20 UNEF | .40 (10.2) |
| 14 | .875 - 20 UNEF | 1.02 (25.9) |
| 16 | 1.000 - 20 UNEF | 1.21 (30.7) |
| 18 | 1.062 - 18 UNEF | 1.23 (31.2) |
| 20 | 1.188 - 18 UNEF | 1.36 (34.5) |
| 22 | 1.313 - 18 UNEF | 1.48 (37.6) |
| 24 | 1.438 - 18 UNEF | 1.73 (43.9) |
| 28 | 1.750 - 18 UNS | 1.97 (50.0) |
| 32 | 2.000 - 18 UNS | 2.22 (56.4) |
| 36 | 2.250 - 16 UN | 2.47 (62.7) |
| 40 | 2.500 - 16 UN | 2.72 (69.1) |
| 44 | 2.750 - 16 UN | 2.97 (75.4) |
| 48 | 3.000 - 16 UN | 3.22 (81.8) |
| 61 | 1.500 - 18 UNEF | 1.67 (42.4) |

Refer to the
Mil-Spec
for
Complete
Dimensions

TABLE II: Dash Number, Dimensions and Cable Range

| Dash No. | Shell Size | Style | E Max | F Ref. | L Max | Cable Range | | M85049/42 Ref. |
|----------|------------|-------|---------------|--------------|--------------|-------------|--------------|----------------|
| | | | | | | Min | Max | |
| 01 | 03 | 1 | 2.062 (52.4) | 1.027 (26.1) | .957 (24.3) | .125 (3.2) | .250 (6.4) | 4 |
| 02 | 03 | 1 | 3.063 (77.8) | 1.027 (26.1) | .957 (24.3) | .125 (3.2) | .250 (6.4) | 4 |
| 03 | 03 | 2 | 2.812 (71.4) | 1.027 (26.1) | 1.145 (29.1) | .250 (6.4) | .437 (11.1) | 6 |
| 04 | 03 | 2 | 3.812 (96.8) | 1.027 (26.1) | 1.145 (29.1) | .250 (6.4) | .437 (11.1) | 6 |
| 05 | 08 | 1 | 2.062 (52.4) | 1.027 (26.1) | .957 (24.3) | .125 (3.2) | .250 (6.4) | 4 |
| 06 | 08 | 1 | 3.062 (77.8) | 1.027 (26.1) | .957 (24.3) | .125 (3.2) | .250 (6.4) | 4 |
| 07 | 08 | 2 | 2.812 (71.4) | 1.027 (26.1) | 1.145 (29.1) | .250 (6.4) | .437 (11.1) | 6 |
| 08 | 08 | 2 | 3.812 (96.8) | 1.027 (26.1) | 1.145 (29.1) | .250 (6.4) | .437 (11.1) | 6 |
| 09 | 10 | 1 | 2.062 (52.4) | 1.027 (26.1) | .957 (24.3) | .125 (3.2) | .312 (7.9) | 4 |
| 10 | 10 | 1 | 3.062 (77.8) | 1.027 (26.1) | .957 (24.3) | .125 (3.2) | .312 (7.9) | 4 |
| 11 | 10 | 2 | 2.812 (71.4) | 1.027 (26.1) | 1.145 (29.1) | .250 (6.4) | .437 (11.1) | 6 |
| 12 | 10 | 2 | 3.812 (96.8) | 1.027 (26.1) | 1.145 (29.1) | .250 (6.4) | .437 (11.1) | 6 |
| 13 | 12 | 1 | 2.062 (52.4) | 1.027 (26.1) | 1.145 (29.1) | .250 (6.4) | .437 (11.1) | 6 |
| 14 | 12 | 1 | 3.062 (77.8) | 1.027 (26.1) | 1.145 (29.1) | .250 (6.4) | .437 (11.1) | 6 |
| 15 | 12 | 2 | 2.812 (71.4) | 1.027 (26.1) | 1.332 (33.8) | .350 (8.9) | .625 (15.9) | 10 |
| 16 | 12 | 2 | 3.812 (96.8) | 1.027 (26.1) | 1.332 (33.8) | .350 (8.9) | .625 (15.9) | 10 |
| 17 | 14 | 1 | 2.062 (52.4) | 1.027 (26.1) | 1.332 (33.8) | .350 (8.9) | .575 (14.6) | 10 |
| 18 | 14 | 1 | 3.062 (77.8) | 1.027 (26.1) | 1.332 (33.8) | .350 (8.9) | .575 (14.6) | 10 |
| 19 | 14 | 2 | 2.812 (71.4) | 1.059 (26.9) | 1.551 (39.4) | .500 (12.7) | .750 (19.1) | 12 |
| 20 | 14 | 2 | 3.812 (96.8) | 1.059 (26.9) | 1.551 (39.4) | .500 (12.7) | .750 (19.1) | 12 |
| 21 | 16 | 1 | 2.062 (52.4) | 1.059 (26.9) | 1.551 (39.4) | .500 (12.7) | .700 (17.8) | 12 |
| 22 | 16 | 1 | 3.062 (77.8) | 1.059 (26.9) | 1.551 (39.4) | .500 (12.7) | .700 (17.8) | 12 |
| 23 | 16 | 2 | 2.812 (71.4) | 1.156 (29.4) | 1.770 (45.0) | .625 (15.9) | .937 (23.8) | 16 |
| 24 | 16 | 2 | 3.812 (96.8) | 1.156 (29.4) | 1.770 (45.0) | .625 (15.9) | .937 (23.8) | 16 |
| 25 | 18 | 1 | 2.062 (52.4) | 1.027 (26.1) | 1.332 (33.8) | .350 (8.9) | .625 (15.9) | 10 |
| 26 | 18 | 1 | 3.062 (77.8) | 1.027 (26.1) | 1.332 (33.8) | .350 (8.9) | .625 (15.9) | 10 |
| 27 | 18 | 1 | 2.062 (52.4) | 1.059 (26.9) | 1.551 (39.4) | .500 (12.7) | .750 (19.1) | 12 |
| 28 | 18 | 1 | 3.062 (77.8) | 1.059 (26.9) | 1.551 (39.4) | .500 (12.7) | .750 (19.1) | 12 |
| 29 | 18 | 2 | 2.812 (71.4) | 1.156 (29.4) | 1.770 (45.0) | .625 (15.9) | .937 (23.8) | 16 |
| 30 | 18 | 2 | 3.812 (96.8) | 1.156 (29.4) | 1.770 (45.0) | .625 (15.9) | .937 (23.8) | 16 |
| 31 | 20 | 1 | 3.062 (77.8) | 1.027 (26.1) | 1.332 (33.8) | .350 (8.9) | .625 (15.9) | 10 |
| 32 | 20 | 1 | 4.062 (103.2) | 1.027 (26.1) | 1.332 (33.8) | .350 (8.9) | .625 (15.9) | 10 |
| 33 | 20 | 1 | 3.062 (77.8) | 1.059 (26.9) | 1.551 (39.4) | .500 (12.7) | .750 (19.1) | 12 |
| 34 | 20 | 1 | 4.062 (103.2) | 1.059 (26.9) | 1.551 (39.4) | .500 (12.7) | .750 (19.1) | 12 |
| 35 | 20 | 2 | 3.812 (96.8) | 1.156 (29.4) | 1.770 (45.0) | .625 (15.9) | .937 (23.8) | 16 |
| 36 | 20 | 2 | 4.812 (122.2) | 1.156 (29.4) | 1.770 (45.0) | .625 (15.9) | .937 (23.8) | 16 |
| 37 | 20 | 2 | 3.812 (96.8) | 1.375 (34.9) | 2.113 (53.7) | .875 (22.2) | 1.250 (31.8) | 20 |
| 38 | 20 | 2 | 4.812 (122.2) | 1.375 (34.9) | 2.113 (53.7) | .875 (22.2) | 1.250 (31.8) | 20 |
| 39 | 22 | 1 | 3.062 (77.8) | 1.027 (26.1) | 1.332 (33.8) | .350 (8.9) | .625 (15.9) | 10 |
| 40 | 22 | 1 | 4.062 (103.2) | 1.027 (26.1) | 1.332 (33.8) | .350 (8.9) | .625 (15.9) | 10 |
| 41 | 22 | 1 | 3.062 (77.8) | 1.059 (26.9) | 1.551 (39.4) | .500 (12.7) | .750 (19.1) | 12 |
| 42 | 22 | 1 | 4.062 (103.2) | 1.059 (26.9) | 1.551 (39.4) | .500 (12.7) | .750 (19.1) | 12 |
| 43 | 22 | 1 | 3.062 (77.8) | 1.156 (29.4) | 1.770 (45.0) | .625 (15.9) | .937 (23.8) | 16 |
| 44 | 22 | 1 | 4.062 (103.2) | 1.156 (29.4) | 1.770 (45.0) | .625 (15.9) | .937 (23.8) | 16 |
| 45 | 22 | 2 | 3.812 (96.8) | 1.375 (34.9) | 2.113 (53.7) | .875 (22.2) | 1.250 (31.8) | 20 |
| 46 | 22 | 2 | 4.812 (122.2) | 1.375 (34.9) | 2.113 (53.7) | .875 (22.2) | 1.250 (31.8) | 20 |
| 47 | 24 | 1 | 3.062 (77.8) | 1.059 (26.9) | 1.551 (39.4) | .500 (12.7) | .750 (19.1) | 12 |
| 48 | 24 | 1 | 4.062 (103.2) | 1.059 (26.9) | 1.551 (39.4) | .500 (12.7) | .750 (19.1) | 12 |
| 49 | 24 | 1 | 3.062 (77.8) | 1.156 (29.4) | 1.770 (45.0) | .625 (15.9) | .812 (20.6) | 16 |
| 50 | 24 | 1 | 4.062 (103.2) | 1.156 (29.4) | 1.770 (45.0) | .625 (15.9) | .812 (20.6) | 16 |
| 51 | 24 | 1 | 3.062 (77.8) | 1.156 (29.4) | 1.770 (45.0) | .625 (15.9) | .937 (23.8) | 16 |
| 52 | 24 | 1 | 4.062 (103.2) | 1.156 (29.4) | 1.770 (45.0) | .625 (15.9) | .937 (23.8) | 16 |

Continued on Page B-49

Dimensions in inches (millimeters) and are subject to change without notice.

AS85049/25 and MS3437C Straight EMI/RFI Non-Environmental Backshell



AS85049

B

| TABLE II: Continued from Page B-48 | | | | | | | | |
|------------------------------------|------------|-------|---------------|--------------|--------------|--------------|--------------|----------------|
| Dash No. | Shell Size | Style | E Max | F Ref. | L Max | Cable Range | | M85049/42 Ref. |
| | | | | | | Min | Max | |
| 53 | 24 | 2 | 3.812 (96.8) | 1.375 (34.9) | 2.113 (53.7) | .875 (22.2) | 1.250 (31.8) | 20 |
| 54 | 24 | 2 | 4.812 (122.2) | 1.375 (34.9) | 2.113 (53.7) | .875 (22.2) | 1.250 (31.8) | 20 |
| 55 | 28 | 1 | 3.062 (77.8) | 1.059 (26.9) | 1.551 (39.4) | .500 (12.7) | .750 (19.1) | 12 |
| 56 | 28 | 1 | 4.062 (103.2) | 1.059 (26.9) | 1.551 (39.4) | .500 (12.7) | .750 (19.1) | 12 |
| 57 | 28 | 1 | 3.062 (77.8) | 1.156 (29.4) | 1.770 (45.0) | .625 (15.9) | .937 (23.8) | 16 |
| 58 | 28 | 1 | 4.062 (103.2) | 1.156 (29.4) | 1.770 (45.0) | .625 (15.9) | .937 (23.8) | 16 |
| 59 | 28 | 1 | 3.062 (77.8) | 1.375 (34.9) | 2.113 (53.7) | .875 (22.2) | 1.250 (31.8) | 20 |
| 60 | 28 | 1 | 4.062 (103.2) | 1.375 (34.9) | 2.113 (53.7) | .875 (22.2) | 1.250 (31.8) | 20 |
| 61 | 28 | 1 | 3.062 (77.8) | 1.500 (38.1) | 2.363 (60.0) | 1.000 (25.4) | 1.375 (34.9) | 24 |
| 62 | 28 | 1 | 4.062 (103.2) | 1.500 (38.1) | 2.363 (60.0) | 1.000 (25.4) | 1.375 (34.9) | 24 |
| 63 | 32 | 1 | 3.062 (77.8) | 1.156 (29.4) | 1.770 (45.0) | .625 (15.9) | .937 (23.8) | 16 |
| 64 | 32 | 1 | 4.062 (103.2) | 1.156 (29.4) | 1.770 (45.0) | .625 (15.9) | .937 (23.8) | 16 |
| 65 | 32 | 1 | 3.062 (77.8) | 1.375 (34.9) | 2.113 (53.7) | .875 (22.2) | 1.250 (31.8) | 20 |
| 66 | 32 | 1 | 4.062 (103.2) | 1.375 (34.9) | 2.113 (53.7) | .875 (22.2) | 1.250 (31.8) | 20 |
| 67 | 32 | 1 | 3.062 (77.8) | 1.500 (38.1) | 2.363 (60.0) | 1.000 (25.4) | 1.375 (34.9) | 24 |
| 68 | 32 | 1 | 4.062 (103.2) | 1.500 (38.1) | 2.363 (60.0) | 1.000 (25.4) | 1.375 (34.9) | 24 |
| 69 | 32 | 1 | 3.062 (77.8) | 1.781 (45.2) | 2.770 (70.4) | 1.250 (31.8) | 1.625 (41.3) | 28 |
| 70 | 32 | 1 | 4.062 (103.2) | 1.781 (45.2) | 2.770 (70.4) | 1.250 (31.8) | 1.625 (41.3) | 28 |
| 71 | 36 | 1 | 4.062 (103.2) | 1.375 (34.9) | 2.113 (53.7) | .875 (22.2) | 1.250 (31.8) | 20 |
| 72 | 36 | 1 | 5.062 (128.6) | 1.375 (34.9) | 2.113 (53.7) | .875 (22.2) | 1.250 (31.8) | 20 |
| 73 | 36 | 1 | 4.062 (103.2) | 1.500 (38.1) | 2.363 (60.0) | 1.000 (25.4) | 1.375 (34.9) | 24 |
| 74 | 36 | 1 | 5.062 (128.6) | 1.500 (38.1) | 2.363 (60.0) | 1.000 (25.4) | 1.375 (34.9) | 24 |
| 75 | 36 | 1 | 4.062 (103.2) | 1.781 (45.2) | 2.770 (70.4) | 1.250 (31.8) | 1.625 (41.3) | 28 |
| 76 | 36 | 1 | 5.062 (128.6) | 1.781 (45.2) | 2.770 (70.4) | 1.250 (31.8) | 1.625 (41.3) | 28 |
| 77 | 36 | 2 | 4.942 (125.5) | 1.830 (46.5) | 3.020 (76.7) | 1.437 (36.5) | 1.875 (47.6) | 32 |
| 78 | 36 | 2 | 5.942 (150.9) | 1.830 (46.5) | 3.020 (76.7) | 1.437 (36.5) | 1.875 (47.6) | 32 |
| 79 | 40 | 1 | 4.062 (103.2) | 1.375 (34.9) | 2.113 (53.7) | .875 (22.2) | 1.250 (31.8) | 20 |
| 80 | 40 | 1 | 5.062 (128.6) | 1.375 (34.9) | 2.113 (53.7) | .875 (22.2) | 1.250 (31.8) | 20 |
| 81 | 40 | 1 | 4.062 (103.2) | 1.500 (38.1) | 2.363 (60.0) | 1.000 (25.4) | 1.375 (34.9) | 24 |
| 82 | 40 | 1 | 5.062 (128.6) | 1.500 (38.1) | 2.363 (60.0) | 1.000 (25.4) | 1.375 (34.9) | 24 |
| 83 | 40 | 1 | 4.062 (103.2) | 1.781 (45.2) | 2.770 (70.4) | 1.250 (31.8) | 1.625 (41.3) | 28 |
| 84 | 40 | 1 | 5.062 (128.6) | 1.781 (45.2) | 2.770 (70.4) | 1.250 (31.8) | 1.625 (41.3) | 28 |
| 85 | 40 | 1 | 4.062 (103.2) | 1.830 (46.5) | 3.020 (76.7) | 1.437 (36.5) | 1.875 (47.6) | 32 |
| 86 | 40 | 1 | 5.062 (128.6) | 1.830 (46.5) | 3.020 (76.7) | 1.437 (36.5) | 1.875 (47.6) | 32 |
| 87 | 44 | 1 | 4.062 (103.2) | 1.375 (34.9) | 2.113 (53.7) | .875 (22.2) | 1.250 (31.8) | 20 |
| 88 | 44 | 1 | 5.062 (128.6) | 1.375 (34.9) | 2.113 (53.7) | .875 (22.2) | 1.250 (31.8) | 20 |
| 89 | 44 | 1 | 4.062 (103.2) | 1.500 (38.1) | 2.363 (60.0) | 1.000 (25.4) | 1.375 (34.9) | 24 |
| 90 | 44 | 1 | 5.062 (128.6) | 1.500 (38.1) | 2.363 (60.0) | 1.000 (25.4) | 1.375 (34.9) | 24 |
| 91 | 44 | 1 | 4.062 (103.2) | 1.781 (45.2) | 2.770 (70.4) | 1.250 (31.8) | 1.625 (41.3) | 28 |
| 92 | 44 | 1 | 5.062 (128.6) | 1.781 (45.2) | 2.770 (70.4) | 1.250 (31.8) | 1.625 (41.3) | 28 |
| 93 | 44 | 1 | 4.062 (103.2) | 1.830 (46.5) | 3.020 (76.7) | 1.437 (36.5) | 1.875 (47.6) | 32 |
| 94 | 44 | 1 | 5.062 (128.6) | 1.830 (46.5) | 3.020 (76.7) | 1.437 (36.5) | 1.875 (47.6) | 32 |
| 95 | 48 | 1 | 4.062 (103.2) | 1.375 (34.9) | 2.113 (53.7) | .875 (22.2) | 1.250 (31.8) | 20 |
| 96 | 48 | 1 | 5.062 (128.6) | 1.375 (34.9) | 2.113 (53.7) | .875 (22.2) | 1.250 (31.8) | 20 |
| 97 | 48 | 1 | 4.062 (103.2) | 1.500 (38.1) | 2.363 (60.0) | 1.000 (25.4) | 1.375 (34.9) | 24 |
| 98 | 48 | 1 | 5.062 (128.6) | 1.500 (38.1) | 2.363 (60.0) | 1.000 (25.4) | 1.375 (34.9) | 24 |
| 99 | 48 | 1 | 4.062 (103.2) | 1.781 (45.2) | 2.770 (70.4) | 1.250 (31.8) | 1.625 (41.3) | 28 |
| 100 | 48 | 1 | 5.062 (128.6) | 1.781 (45.2) | 2.770 (70.4) | 1.250 (31.8) | 1.625 (41.3) | 28 |
| 101 | 48 | 1 | 4.062 (103.2) | 1.830 (46.5) | 3.020 (76.7) | 1.437 (36.5) | 1.875 (47.6) | 32 |
| 102 | 48 | 1 | 5.062 (128.6) | 1.830 (46.5) | 3.020 (76.7) | 1.437 (36.5) | 1.875 (47.6) | 32 |
| 103 | 61 | 1 | 3.062 (77.8) | 1.059 (26.9) | 1.551 (39.4) | .500 (12.7) | .750 (19.1) | 12 |
| 104 | 61 | 1 | 4.062 (103.2) | 1.059 (26.9) | 1.551 (39.4) | .500 (12.7) | .750 (19.1) | 12 |

Continued on Page B-50

Dimensions in inches (millimeters) and are subject to change without notice.



AS85049/25 and MS3437C Straight EMI/RFI Non-Environmental Backshell

TABLE II: Continued from Page B-49

| Dash No. | Shell Size | Style | E Max | F Ref. | L Max | Cable Range | | M85049/42 Ref. |
|----------|------------|-------|---------------|--------------|--------------|--------------|--------------|----------------|
| | | | | | | Min | Max | |
| 105 | 61 | 1 | 3.062 (77.8) | 1.156 (29.4) | 1.770 (45.0) | .625 (15.9) | .937 (23.8) | 16 |
| 106 | 61 | 1 | 4.062 (103.2) | 1.156 (29.4) | 1.770 (45.0) | .625 (15.9) | .937 (23.8) | 16 |
| 107 | 61 | 2 | 3.812 (96.8) | 1.375 (34.9) | 2.113 (53.7) | .875 (22.2) | 1.250 (31.8) | 20 |
| 108 | 61 | 2 | 4.812 (122.2) | 1.375 (34.9) | 2.113 (53.7) | .875 (22.2) | 1.250 (31.8) | 20 |
| 109 | 61 | 2 | 3.812 (96.8) | 1.500 (38.1) | 2.363 (60.0) | 1.000 (25.4) | 1.375 (34.9) | 24 |
| 110 | 61 | 2 | 4.812 (122.2) | 1.500 (38.1) | 2.363 (60.0) | 1.000 (25.4) | 1.375 (34.9) | 24 |
| 111 | 12 | 1 | 2.062 (52.4) | 1.027 (26.1) | 1.332 (33.8) | .350 (8.9) | .500 (12.7) | 10 |
| 112 | 16 | 1 | 2.062 (52.4) | 1.027 (26.1) | 1.145 (29.1) | .250 (6.4) | .437 (11.1) | 06 |
| 113 | 16 | 1 | 3.062 (77.8) | 1.027 (26.1) | 1.145 (29.1) | .250 (6.4) | .437 (11.1) | 06 |
| 114 | 12 | 1 | 2.062 (52.4) | 1.027 (26.1) | .957 (24.3) | .125 (3.2) | .312 (7.9) | 04 |
| 115 | 12 | 1 | 3.062 (77.8) | 1.027 (26.1) | .957 (24.3) | .125 (3.2) | .312 (7.9) | 04 |
| 116 | 14 | 1 | 2.062 (52.4) | 1.027 (26.1) | 1.145 (29.1) | .250 (6.4) | .437 (11.1) | 06 |
| 117 | 14 | 1 | 3.062 (77.8) | 1.027 (26.1) | 1.145 (29.1) | .250 (6.4) | .437 (11.1) | 06 |
| 118 | 16 | 1 | 2.062 (52.4) | 1.027 (26.1) | 1.332 (33.8) | .350 (8.9) | .625 (15.9) | 10 |
| 119 | 16 | 1 | 3.062 (77.8) | 1.027 (26.1) | 1.332 (33.8) | .350 (8.9) | .625 (15.9) | 10 |
| 120 | 18 | 1 | 2.062 (52.4) | 1.027 (26.1) | .957 (24.3) | .125 (3.2) | .312 (7.9) | 04 |
| 121 | 18 | 1 | 3.062 (77.8) | 1.027 (26.1) | .957 (24.3) | .125 (3.2) | .312 (7.9) | 04 |
| 122 | 18 | 1 | 2.062 (52.4) | 1.027 (26.1) | 1.145 (29.1) | .250 (6.4) | .437 (11.1) | 06 |
| 123 | 18 | 1 | 3.062 (77.8) | 1.027 (26.1) | 1.145 (29.1) | .250 (6.4) | .437 (11.1) | 06 |
| 124 | 20 | 1 | 3.062 (77.8) | 1.027 (26.1) | 1.145 (29.1) | .250 (6.4) | .437 (11.1) | 06 |
| 125 | 20 | 1 | 4.062 (103.2) | 1.027 (26.1) | 1.145 (29.1) | .250 (6.4) | .437 (11.1) | 06 |
| 126 | 22 | 1 | 3.062 (77.8) | 1.027 (26.1) | .957 (24.3) | .125 (3.2) | .312 (7.9) | 04 |
| 127 | 22 | 1 | 4.062 (103.2) | 1.027 (26.1) | .957 (24.3) | .125 (3.2) | .312 (7.9) | 04 |
| 128 | 22 | 1 | 3.062 (77.8) | 1.027 (26.1) | 1.145 (29.1) | .250 (6.4) | .437 (11.1) | 06 |
| 129 | 22 | 1 | 4.062 (103.2) | 1.027 (26.1) | 1.145 (29.1) | .250 (6.4) | .437 (11.1) | 06 |
| 130 | 24 | 1 | 3.062 (77.8) | 1.027 (26.1) | 1.332 (33.8) | .350 (8.9) | .625 (15.9) | 10 |
| 131 | 24 | 1 | 4.062 (103.2) | 1.027 (26.1) | 1.332 (33.8) | .350 (8.9) | .625 (15.9) | 10 |
| 132 | 36 | 1 | 4.062 (103.2) | 1.059 (26.9) | 1.551 (39.4) | .500 (12.7) | .750 (19.1) | 12 |
| 133 | 36 | 1 | 5.062 (128.6) | 1.059 (26.9) | 1.551 (39.4) | .500 (12.7) | .750 (19.1) | 12 |
| 134 | 40 | 1 | 4.062 (103.2) | 1.059 (26.9) | 1.551 (39.4) | .500 (12.7) | .750 (19.1) | 12 |
| 135 | 40 | 1 | 5.062 (128.6) | 1.059 (26.9) | 1.551 (39.4) | .500 (12.7) | .750 (19.1) | 12 |
| 136 | 10 | 1 | 2.062 (52.4) | 1.027 (26.1) | 1.145 (29.1) | .250 (6.4) | .375 (9.5) | 06 |
| 137 | 10 | 1 | 3.062 (77.8) | 1.027 (26.1) | 1.145 (29.1) | .250 (6.4) | .375 (9.5) | 06 |
| 138 | 12 | 1 | 2.062 (52.4) | 1.027 (26.1) | 1.332 (33.8) | .350 (8.9) | .500 (12.7) | 10 |
| 139 | 12 | 1 | 3.062 (77.8) | 1.027 (26.1) | 1.332 (33.8) | .350 (8.9) | .500 (12.7) | 10 |
| 140 | 20 | 1 | 3.062 (77.8) | 1.156 (29.4) | 1.770 (45.0) | .625 (15.9) | .904 (23.0) | 16 |
| 141 | 20 | 1 | 4.062 (103.2) | 1.156 (29.4) | 1.770 (45.0) | .625 (15.9) | .904 (23.0) | 16 |
| 142 | 22 | 1 | 3.062 (77.8) | 1.375 (34.9) | 2.113 (53.7) | .875 (22.2) | 1.029 (26.1) | 20 |
| 143 | 22 | 1 | 4.062 (103.2) | 1.375 (34.9) | 2.113 (53.7) | .875 (22.2) | 1.029 (26.1) | 20 |
| 144 | 24 | 1 | 3.062 (77.8) | 1.375 (34.9) | 2.113 (53.7) | .875 (22.2) | 1.144 (29.1) | 20 |
| 145 | 24 | 1 | 4.062 (103.2) | 1.375 (34.9) | 2.113 (53.7) | .875 (22.2) | 1.144 (29.1) | 20 |
| 146 | 36 | 1 | 4.062 (103.2) | 1.830 (46.5) | 3.020 (76.7) | 1.437 (36.5) | 1.840 (46.7) | 32 |
| 147 | 36 | 1 | 5.062 (128.6) | 1.830 (46.5) | 3.020 (76.7) | 1.437 (36.5) | 1.840 (46.7) | 32 |
| 148 | 36 | 1 | 4.062 (103.2) | 1.156 (29.4) | 1.770 (45.0) | .625 (15.9) | .937 (23.8) | 16 |
| 149 | 36 | 1 | 5.062 (128.6) | 1.156 (29.4) | 1.770 (45.0) | .625 (15.9) | .937 (23.8) | 16 |
| 150 | 14 | 1 | 2.062 (52.4) | 1.027 (26.1) | .957 (24.3) | .125 (3.2) | .312 (7.9) | 04 |
| 151 | 14 | 1 | 3.062 (77.8) | 1.027 (26.1) | .957 (24.3) | .125 (3.2) | .312 (7.9) | 04 |
| 152 | 16 | 1 | 2.062 (52.4) | 1.027 (26.1) | .957 (24.3) | .125 (3.2) | .312 (7.9) | 04 |
| 153 | 16 | 1 | 3.062 (77.8) | 1.027 (26.1) | .957 (24.3) | .125 (3.2) | .312 (7.9) | 04 |
| 154 | 44 | 1 | 4.062 (103.2) | 1.156 (29.4) | 1.770 (45.0) | .625 (15.9) | .937 (23.8) | 16 |
| 155 | 44 | 1 | 5.062 (128.6) | 1.156 (29.4) | 1.770 (45.0) | .625 (15.9) | .937 (23.8) | 16 |
| 156 | 40 | 1 | 4.062 (103.2) | 1.156 (29.4) | 1.770 (45.0) | .625 (15.9) | .937 (23.8) | 16 |
| 157 | 40 | 1 | 5.062 (128.6) | 1.156 (29.4) | 1.770 (45.0) | .625 (15.9) | .937 (23.8) | 16 |

Dimensions in inches (millimeters) and are subject to change without notice.

Компания «Океан Электроники» предлагает заключение долгосрочных отношений при поставках импортных электронных компонентов на взаимовыгодных условиях!

Наши преимущества:

- Поставка оригинальных импортных электронных компонентов напрямую с производств Америки, Европы и Азии, а так же с крупнейших складов мира;
- Широкая линейка поставок активных и пассивных импортных электронных компонентов (более 30 млн. наименований);
- Поставка сложных, дефицитных, либо снятых с производства позиций;
- Оперативные сроки поставки под заказ (от 5 рабочих дней);
- Экспресс доставка в любую точку России;
- Помощь Конструкторского Отдела и консультации квалифицированных инженеров;
- Техническая поддержка проекта, помощь в подборе аналогов, поставка прототипов;
- Поставка электронных компонентов под контролем ВП;
- Система менеджмента качества сертифицирована по Международному стандарту ISO 9001;
- При необходимости вся продукция военного и аэрокосмического назначения проходит испытания и сертификацию в лаборатории (по согласованию с заказчиком);
- Поставка специализированных компонентов военного и аэрокосмического уровня качества (Xilinx, Altera, Analog Devices, Intersil, Interpoint, Microsemi, Actel, Aeroflex, Peregrine, VPT, Syfer, Eurofarad, Texas Instruments, MS Kennedy, Miteq, Cobham, E2V, MA-COM, Hittite, Mini-Circuits, General Dynamics и др.);

Компания «Океан Электроники» является официальным дистрибьютором и эксклюзивным представителем в России одного из крупнейших производителей разъемов военного и аэрокосмического назначения «JONHON», а так же официальным дистрибьютором и эксклюзивным представителем в России производителя высокотехнологичных и надежных решений для передачи СВЧ сигналов «FORSTAR».



JONHON

«JONHON» (основан в 1970 г.)

Разъемы специального, военного и аэрокосмического назначения:

(Применяются в военной, авиационной, аэрокосмической, морской, железнодорожной, горно- и нефтедобывающей отраслях промышленности)

«FORSTAR» (основан в 1998 г.)

ВЧ соединители, коаксиальные кабели,
кабельные сборки и микроволновые компоненты:

(Применяются в телекоммуникациях гражданского и специального назначения, в средствах связи, РЛС, а так же военной, авиационной и аэрокосмической отраслях промышленности).



Телефон: 8 (812) 309-75-97 (многоканальный)

Факс: 8 (812) 320-03-32

Электронная почта: ocean@oceanchips.ru

Web: <http://oceanchips.ru/>

Адрес: 198099, г. Санкт-Петербург, ул. Калинина, д. 2, корп. 4, лит. А