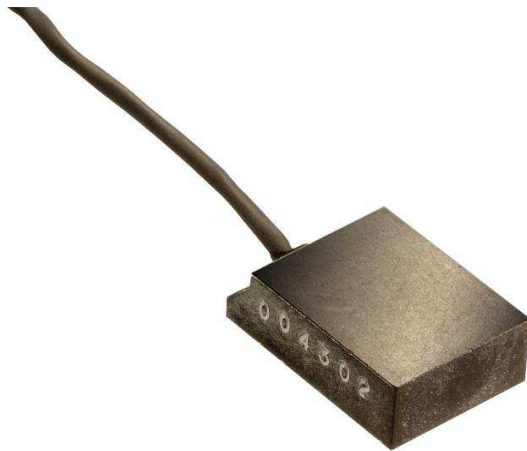
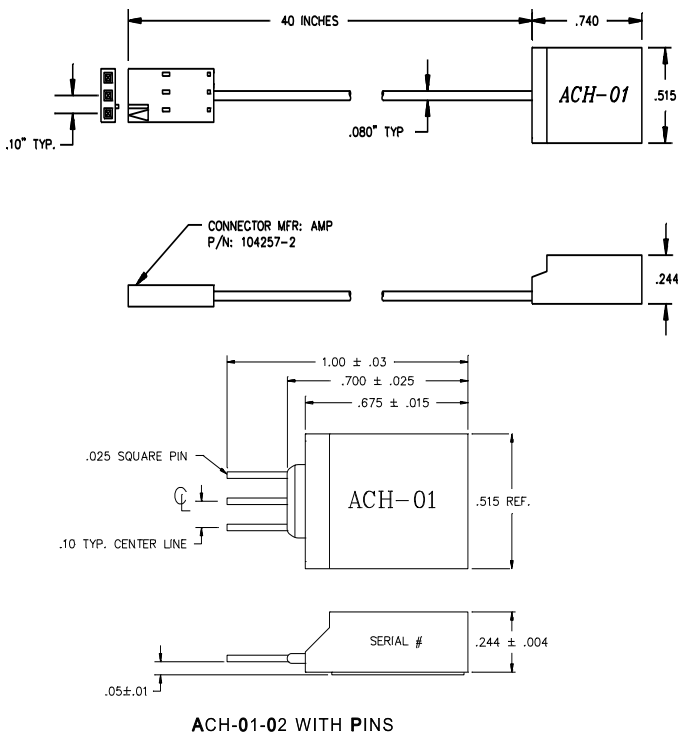


# ACCELEROMETER ACH-01



## dimensions



## SPECIFICATIONS

- ✦ Piezoelectric Accelerometer
- ✦ Wide Bandwidth; AC Coupled
- ✦ Ultra Low Power
- ✦ High G Ranges

The **ACH-01** is an inexpensive, general purpose accelerometer with outstanding performance characteristics. The use of piezoelectric polymer film in the ACH-01 provides many cost/performance advantages that allow it to be used in a wide range of applications where the use of traditional accelerometer technology is impractical. It is specifically designed for high volume applications which require the permanent installation of an accelerometer.

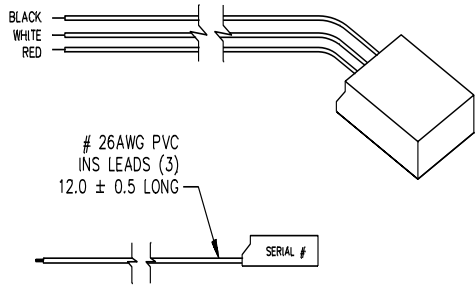
## FEATURES

- ✦ Wide Frequency Response
- ✦ Excellent Phase Response
- ✦ Small Temperature Dependence
- ✦ Wide Supply Voltage Range
- ✦ Excellent Linearity
- ✦ Very High Resonant Frequency
- ✦ Wide Dynamic Range
- ✦ Low Transverse Sensitivity
- ✦ Wide Temperature Range
- ✦ Low Impedance Output
- ✦ Ultra Low Power

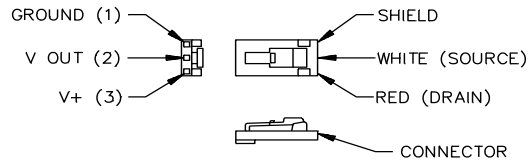
## APPLICATIONS

- ✦ Machine Health Monitoring
- ✦ Model Analysis
- ✦ Automotive Sensors
- ✦ Appliances
- ✦ Feedback Control Systems

# ACCELEROMETER ACH-01



ACH-01-04 WITH WIRES



CONNECTOR DETAIL

## PERFORMANCE SPECIFICATIONS

PERFORMANCE (T=25°C)	Symbol	Min	Typ	Max	Units
Sensitivity	$M_o$	7	9	11	mV/g
Lower Frequency Limit (1)	$f_l$	--	2	5	Hz
Upper Frequency Limit(1)	$f_u$	10	20	--	kHz
Equivalent Noise Floor					$f/g/\sqrt{Hz}$
10Hz		--	130	--	
100Hz		--	20	--	
1kHz		--	6	--	
Dynamic Range	--	$\geq 150$	--	--	g
Linearity	--	--	0.1	1.0	%
Transverse Sensitivity	$M_t$	--	2.0	5	%
Resonant Frequency	$f_o$	--	35	--	kHz
Phase Deviation ( $\geq 5^\circ$ Limit)(6)	$\theta$	10	--	10	kHz
Drain Voltage (6)	V+	3	--	40	Volts
Supply Current (6)	$I_{dss}$	30	--	90	$\mu A$
Output Impedance (6)	--	--	20	--	k $\Omega$
<b>ENVIRONMENTAL CHARACTERISTICS</b>					
Operating Temperature (2)	$T_o$	-40	--	85	°C
Storage Temperature	$T_s$	-40	--	85	°C
Maximum Shock Level	$A_m$	1000	--	--	g
Base Strain Sensitivity (3)	--	--	0.3	--	g/ $\mu\epsilon$
Transient Temp Sensitivity (4)	--	--	0.35	--	g/°C
<b>PHYSICAL CHARACTERISTICS</b>					
Weight (5) Cable	W	--	8	--	grams

(1)  $\geq 3$  dB limit  
 (2)  $\geq 2$  dB from nominal  $M_o$  at 1kHz  
 (3) @ 250 $\mu\epsilon$  in base plane  
 (4) @ 3Hz LLF  
 (5) Includes 40" cable and connector  
 (6) Typical Value

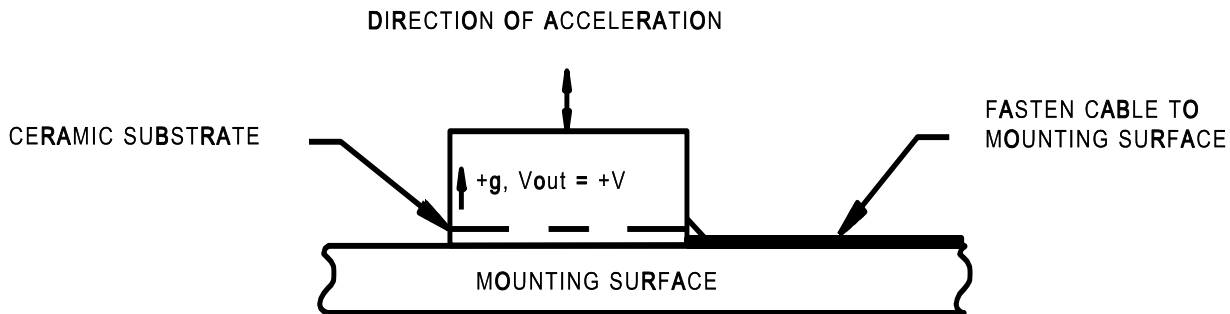
## ACCELEROMETER ACH-01

Mounting methods play a critical role in determining the overall performance of any accelerometer. The ACH-01 is no exception. An improperly mounted accelerometer can give erroneous results. We recommend using an Adhesive Mounting Method.

The surface should be flat. The area where the ACH-01 is to be mounted should be thoroughly cleaned to remove any dirt or oil present on the surface. Use a quick setting, viscous methyl cyanoacrylate adhesive such as Loctite's Black Max<sup>™</sup> or any epoxy such as Devcon's 5-Minute epoxy. Apply the adhesive sparingly to one surface following the manufacturer's directions. Apply pressure and allow the adhesive to set. Soft adhesives, such as double-sided tape or pressure sensitive adhesives, should not be used since they can adversely affect the ACH-01's performance. Cable should be adhered to the surface.

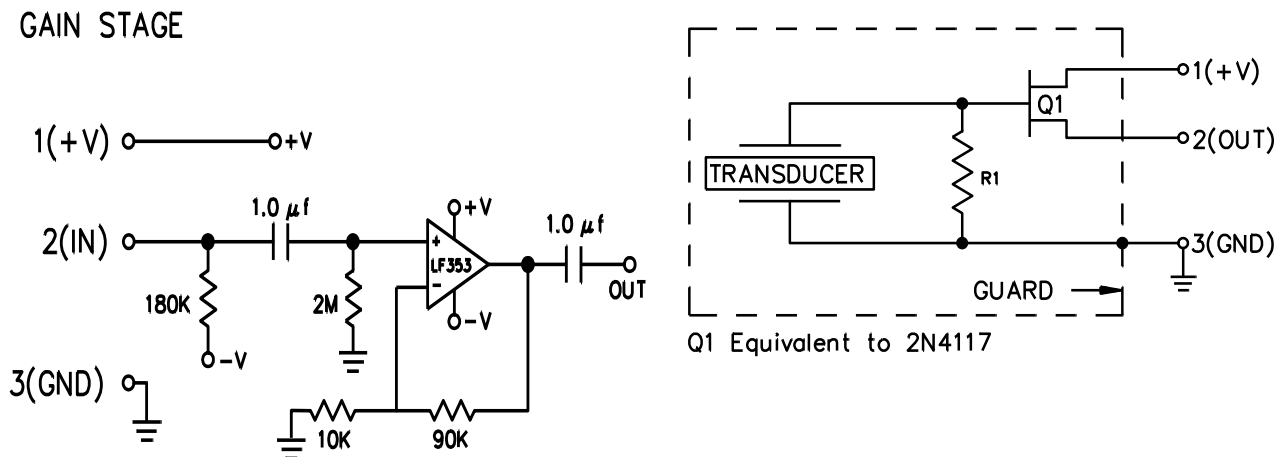
There is an interface amplifier available to simplify connection to the ACH-01, the IB-ACH-01. Please see the appropriate data sheet.

In an effort to keep the product cost low, the ACH-01 uses a ceramic substrate as the mounting base. Because of this, the ACH-01 is susceptible to base strain and temperature transient effects. A mechanically rigid and thermally non-conductive mounting surface is highly recommended to limit these effects. MEAS application engineers are available to recommend various mounting arrangements for your specific application.



## ELECTRICAL INTERFACE CIRCUITS

The accelerometer ACH-01 accommodates various electrical interface circuits. A typical example is provided in the following figure. The ACH-01 equivalent electrical schematic is also shown.



## ACCELEROMETER ACH-01

The information in this sheet has been carefully reviewed and is believed to be accurate; however, no responsibility is assumed for inaccuracies. Furthermore, this information does not convey to the purchaser of such devices any license under the patent rights to the manufacturer. Measurement Specialties, Inc. reserves the right to make changes without further notice to any product herein. Measurement Specialties, Inc. makes no warranty, representation or guarantee regarding the suitability of its product for any particular purpose, nor does Measurement Specialties, Inc. assume any liability arising out of the application or use of any product or circuit and specifically disclaims any and all liability, including without limitation consequential or incidental damages. Typical parameters can and do vary in different applications. All operating parameters must be validated for each customer application by customer's technical experts. Measurement Specialties, Inc. does not convey any license under its patent rights nor the rights of others.

## ORDERING INFORMATION

Description	Interface	Model No.	Part No.
Accelerometer	Pins	ACH-01-02	0-1000985-0
	Shielded Cable	ACH-01-03	1-1001220-0
	Discrete Wires	ACH-01-04	1-1001497-0
Amplifier	Amplifier Box	IB-ACH-01	1003058

### NORTH AMERICA

Measurement Specialties, Inc.,  
a TE Connectivity Company  
Tel: +1-800-522-6752  
Email: [customercare.dtmd@te.com](mailto:customercare.dtmd@te.com)

### EUROPE

MEAS Deutschland GmbH  
a TE Connectivity Company  
Tel: +49-800-440-5100  
Email: [customercare.dtmd@te.com](mailto:customercare.dtmd@te.com)

### ASIA

Measurement Specialties (China), Ltd.,  
a TE Connectivity Company  
Tel: +86 0400-820-6015  
Email: [customercare.chdu@te.com](mailto:customercare.chdu@te.com)

### [TE.com/sensorsolutions](http://TE.com/sensorsolutions)

Measurement Specialties, Inc., a TE Connectivity company.

Measurement Specialties, TE Connectivity, TE Connectivity (logo) and EVERY CONNECTION COUNTS are trademarks. All other logos, products and/or company names referred to herein might be trademarks of their respective owners.

The information given herein, including drawings, illustrations and schematics which are intended for illustration purposes only, is believed to be reliable. However, TE Connectivity makes no warranties as to its accuracy or completeness and disclaims any liability in connection with its use. TE Connectivity's obligations shall only be as set forth in TE Connectivity's Standard Terms and Conditions of Sale for this product and in no case will TE Connectivity be liable for any incidental, indirect or consequential damages arising out of the sale, resale, use or misuse of the product. Users of TE Connectivity products should make their own evaluation to determine the suitability of each such product for the specific application.

© 2015 TE Connectivity Ltd. family of companies All Rights Reserved.

Компания «Океан Электроники» предлагает заключение долгосрочных отношений при поставках импортных электронных компонентов на взаимовыгодных условиях!

Наши преимущества:

- Поставка оригинальных импортных электронных компонентов напрямую с производств Америки, Европы и Азии, а так же с крупнейших складов мира;
- Широкая линейка поставок активных и пассивных импортных электронных компонентов (более 30 млн. наименований);
- Поставка сложных, дефицитных, либо снятых с производства позиций;
- Оперативные сроки поставки под заказ (от 5 рабочих дней);
- Экспресс доставка в любую точку России;
- Помощь Конструкторского Отдела и консультации квалифицированных инженеров;
- Техническая поддержка проекта, помощь в подборе аналогов, поставка прототипов;
- Поставка электронных компонентов под контролем ВП;
- Система менеджмента качества сертифицирована по Международному стандарту ISO 9001;
- При необходимости вся продукция военного и аэрокосмического назначения проходит испытания и сертификацию в лаборатории (по согласованию с заказчиком);
- Поставка специализированных компонентов военного и аэрокосмического уровня качества (Xilinx, Altera, Analog Devices, Intersil, Interpoint, Microsemi, Actel, Aeroflex, Peregrine, VPT, Syfer, Eurofarad, Texas Instruments, MS Kennedy, Miteq, Cobham, E2V, MA-COM, Hittite, Mini-Circuits, General Dynamics и др.);

Компания «Океан Электроники» является официальным дистрибьютором и эксклюзивным представителем в России одного из крупнейших производителей разъемов военного и аэрокосмического назначения «JONHON», а так же официальным дистрибьютором и эксклюзивным представителем в России производителя высокотехнологичных и надежных решений для передачи СВЧ сигналов «FORSTAR».



## JONHON

«JONHON» (основан в 1970 г.)

Разъемы специального, военного и аэрокосмического назначения:

(Применяются в военной, авиационной, аэрокосмической, морской, железнодорожной, горно- и нефтедобывающей отраслях промышленности)

«FORSTAR» (основан в 1998 г.)

ВЧ соединители, коаксиальные кабели, кабельные сборки и микроволновые компоненты:

(Применяются в телекоммуникациях гражданского и специального назначения, в средствах связи, РЛС, а так же военной, авиационной и аэрокосмической отраслях промышленности).



Телефон: 8 (812) 309-75-97 (многоканальный)

Факс: 8 (812) 320-03-32

Электронная почта: [ocean@oceanchips.ru](mailto:ocean@oceanchips.ru)

Web: <http://oceanchips.ru/>

Адрес: 198099, г. Санкт-Петербург, ул. Калинина, д. 2, корп. 4, лит. А