



# Backshells from Amphenol PCD



## TABLE OF CONTENTS

### BACKSHELLS FROM AMPHENOL PCD

- Quick Reference of Products . . . . . 479-482
- Angles/Profiles & Coupling Styles . . . . . 483
- How to Select a Suitable Backshell . . . . . 484
- Tables - By Connector Groups. . . . . 485
- Materials & Finishes, Assembly Torque Values, Style-2 Configuration . . 486



### Backshells for Connector Family "L"

- MIL-DTL-38999 (Series III), MIL-DTL-38999 (Series IV) . . . . . 487-507

### Backshells for Connector Family "K"

- MIL-DTL-38999 (Series II), MIL-DTL-38999 (Series I) . . . . . 508-527



### Backshells for Connector Family "J"

- MIL-DTL-26482 (Matrix, Series 2), MIL-DTL-5015 (Matrix, MS345X), MIL-DTL-83723 (Matrix & Pyle Series III) . . . . . 528-553



**Amphenol PCD**  
 72 Cherry Drive, Beverly, MA 01915  
 Phone: 978-624-3400  
 www.amphenolpcd.com



## Backshells

From Amphenol PCD

Amphenol holds the leadership position for providing interconnect solutions that meet almost all Military, Aerospace and Industrial standards in the U.S., Europe and Asia.

With design and manufacturing facilities and sales offices spread across the globe, Amphenol offers a vast product portfolio of connectors, cable assemblies and system integration for almost all applications across various industries.

### BACKSHELLS

Within Amphenol's wide range of interconnect products is a full range of backshell hardware. Customers can take advantage of Amphenol's global synergy for connectors, backshells and cable harnessing with one place for all their interconnect needs.

Plus, coming to Amphenol for a custom design of a backshell, means that customers benefit from the vast amount of experience this global company has in designing interconnect solutions.

This section covers the backshells that are provided through Amphenol PCD:

- Backshells for Connector Family "L", which includes MIL-DTL-38999 Series III and Series IV
- Backshells for Connector Family "K", which includes MIL-DTL-38999 Series II and Series I
- Backshells for Connector Family "J", which includes MIL-DTL-26482 (Series 2), MIL-DTL-5015 (Matrix MS345X), MIL-DTL-83723 (Matrix & Pyle Series III)



Amphenol . . We Connect the World Together



38999

III

HD

Duallok

II

I

SJT

Accessories

Aquacon

Herm/Seal

PCB

Fiber

Optics

Contacts

High Speed

EMI Filter

Transient

Matrix 2

26482

Matrix | Pyle

III

83723

Pyle

26500

5015

Crimp Rear Release Matrix

Class 1

22992

Back-

Shells

Options

Others

|             |
|-------------|
| 38999       |
| III         |
| HD          |
| Dualok      |
| II          |
| I           |
| SJT         |
| Accessories |
| Aquacon     |
| Herm/Seal   |
| PCB         |

Amphenol Backshells are available in several different types, designed for optimum performance in the application or environment it will be used in. For example; in ground and naval applications the robustness and environmental sealing may be more important, where as weight may be the prime consideration for space and Aerospace application. The following overview explains the various families of Amphenol Backshells with its applications.

Some families of backshells shown here can be used without any additional protection. Some other types of backshells shown are generally used with heat shrink boots or similar protection/strain relief mechanism depending upon the specific requirements. Also, there are some clamps & nuts for the applications where varying degrees of strain reliefs and cable holding will suffice and weight saving is of higher importance.

### Non-Environmental Backshell

- Effective cable holding mechanism with good strain relief when the environmental protection of the cable termination area is not a concern. Amphenol offers cost-effective solutions by eliminating extra sealing parts.
- Suitable for an inside the box/climate controlled room application where heavy cabling should be supported with adequate strain relief.



### Environmental Backshell

- Not only provide the cable support and strain relief, but ensure the cable sealing and environment protection by means of high quality sealing grommet and grommet follower. The strain relief nut is tightened squeezing the grommet onto the cable jacket during assembly.
- Provides 6 feet water sealing protection when used with perfectly jacketed cable, and suitable for harsh environment applications.



### Non-Environmental EMI/RFI Backshell

- 360-degree screen termination facility, in addition to other features of the Non-Environmental type. Available in straight, 90 degree bent and 45 degree bent varieties.
- Accommodates both individual and overall shielding.



### Environmental EMI/RFI Backshell

- Ideal choice for heavy duty cabling solutions in harsh environment situations where electromagnetic and radio frequency noises are to be isolated.
- Accommodates both individual and overall shielding.



|              |
|--------------|
| High Speed   |
| Fiber Optics |
| Contacts     |

|                      |
|----------------------|
| EMI Filter Transient |
|----------------------|

|          |
|----------|
| 26482    |
| Matrix 2 |

|               |
|---------------|
| 83723         |
| III           |
| Matrix   Pyle |

|       |
|-------|
| 26500 |
| Pyle  |

|                           |
|---------------------------|
| 5015                      |
| Crimp Rear Release Matrix |

|         |
|---------|
| 22992   |
| Class L |

|             |
|-------------|
| Back-Shells |
|-------------|

|                |
|----------------|
| Options Others |
|----------------|

## Backshells

### Quick Reference of Products, cont.

#### Shrink Boot Adapter

- A good solution when the unshielded cables are terminated with heat shrink boots. It has a groove where the boot lip can be held which provides good grip apart from sufficient space inside for the cable looping.
- Using the heat shrink boot is one way of providing environmental protection and strain relief to cable termination. Using a suitable adapter is essential here to ensure the repairability.



#### Crimp Ring Adapter

- Many cable terminations where heat shrink boots are used will require provision for terminating the screens too. It is achieved in this type of backshell through a ring, which can be crimped to the backshell body holding the screens in between.



#### Band Lock Adapter

- Another method of termination of screens. A high quality band will do the job in this backshell. Tempered bands are tightened over the shields, which is pulled over the banding area, using a special assembly tool.
- Suitable over cover by heat shrink boot or some other method as chosen by the designer could be used.
- Both crimp ring and banded terminations give a low DC resistance.



#### Pre-Shield Adapter

- Supplied with some length of braid attached. This braid overlaps with the cable braid.
- Effective shielding takes place due to the 360° contact of the braid.
- Designed to accept heat shrink boot.
- Ease of assembly saves time for cable termination.



#### SQ Adapter

- Another cost-effective way to terminate the braid to the adapter. The cost-effective braid is pulled over the conical shape to the rear end of the adapter and then tied. The end nut is tightened to ensure adequate grip for the shielding.
- A heat shrink boot can be used with this adapter also.

Note: The SQ adapter style is not covered in this catalog section; for more information go to [www.backshellworld.com](http://www.backshellworld.com)



38999

III

HD

Dualok

II

I

SJT

Accessories

Aquacon

Herm/Seal

PCB

Fiber Optics

High Speed

EMI Filter Transient

Matrix 2 26482

Matrix | Pyle III 83723

Pyle 26500

Crimp Rear Release Matrix 5015

Class 1 22992

Back-Shell

Options Others

38999

III

HD

Dualok

II

I

SJT

Accessories

Aquacon

Herm/Seal

PCB

High Speed

Fiber Optics

Contacts

EMI Filter Transient

26482

Matrix 2

83723

III  
Matrix | Pyle

26500

Pyle

5015

Crimp Rear Release Matrix

22992

Class L

Back-Shells

Options Others

### Quick Clamp

- A light weight clamp used for securing and “tidying up” cable into a desired direction.
- Used in interior wiring of aircraft.



### Strain Relief Clamps

- Another cost effective cable holding option when environmental protection is not a concern, and weight savings is a major consideration.
- Secures and “tidys-up” the cable and also provides good strain relief at the termination area.



### Grommet Nut

- Provides a good grommet-holding force for the crimp connectors when expensive and heavy backshells are not used. Such holding force is essential to hold the contacts and grommet in place when terminated with wire bundles.



### Lamp Thread Adapter

- An adapter with threads similar to that in the lamp base for shield termination.
- An effective, easy and quick method of shield termination and field maintenance.
- Termination area can accept a nut as well as a clamp. The nut option enables the use of heat shrink boot and the clamp option will facilitate the strain relief clamping without heat shrink boot after the shield/cable termination.



Note: The lamp thread adapter style is not covered in this catalog section; for more information go to [www.backshellworld.com](http://www.backshellworld.com)

## Backshells

### Angle/Profiles and Coupling Styles

#### BACKSHELL ANGLE/PROFILES

Amphenol Backshells are available in three different angular profiles: straight, 90 degree and 45 degree. These profiles will meet most of the cable routing required in the interconnect market. We can also make additional profiles if required. Please go to the web link <http://www.backshellworld.com/customdesign.asp> to contact Amphenol about your specific backshell needs.

#### Straight Backshells

Straight Backshells are available in different length and cable entry diameter for most applications. Different cable and braid terminating systems are also available as shown in the respective product sections.



#### 90° Angled Backshells

Many applications require the cable to be bent and routed rather than straight routed. Amphenol offers a 90° angled style in all the Backshell families for space saving and convenience.



#### 45° Angled Backshells

Amphenol offers further design flexibility with a backshell that allows the cable to be routed 45° to the axis of the assembly.



#### BACKSHELL COUPLING STYLES

Various coupling styles are available for the coupling between the backshell and the connector. Popular styles are shown in the respective backshell sections, and custom profiles can be designed. Please go to the web link <http://www.backshellworld.com/customdesign.asp> to contact Amphenol about your specific backshell needs.

#### Spin Coupling

A captivated coupling nut within the backshell which provides the following advantages:

- Free rotation of the coupling nut which makes the assembly of the backshell to the connector easy without turning the entire backshell body.
- Lock wire holes are provided on the coupling nut to prevent accidental decoupling.



#### Self-Lock Coupling

Same as the Spin Coupling style with the additional feature of "self-locking". Internally locks the movement of the coupling nut so that accidental decoupling is prevented. Used in higher vibration conditions.



#### Direct Coupling

The coupling nut is eliminated in this design, and the backshell directly threads to the connector. For applications when simple direct connectivity is sufficient.



38999

III

HD

Dualok

II

I

SJT

Accessories

Aquacon

Herm/Seal

PCB

Fiber

Optics

Contacts

High Speed

EMI Filter

Transient

Matrix 2

26482

Matrix 1 Pyle

83723

III

26500

Pyle

5015

Crimp Rear Release Matrix

22992

Class 1

Back-

Shells

Options

Others

#### HOW TO SELECT A SUITABLE BACKSHELL

1. Based on the design and application considerations select the backshell type from the Quick Reference Guide, pages 479-482.
2. Review the Angle/Profiles and Coupling Styles on page 483 to determine the configuration which suits your application.
3. Scan the Connector Group Table on the next page to determine the Group Code (K, L or J) of the connector for which you require the backshell.
  - Backshells for Connector Family “L”, which includes MIL-DTL-38999 Series III and Series IV
  - Backshells for Connector Family “K”, which includes MIL-DTL-38999 Series II and Series I
  - Backshells for Connector Family “J”, which includes MIL-DTL-26482 (Series 2), MIL-DTL-5015 (Matrix MS345X), MIL-DTL-83723 (Matrix & Pyle Series III)
4. Go to the Backshell style pages within the connector family of your choice (K, L or J). Find the backshell style you need in the appropriate connector group section based on your choice of angle/profile and coupling style.
5. Build a part number from the sample part number on each backshell style page. For the material and finish options, you will need to turn to page 486 and review Table-2.

Selecting a Backshell can also be done from our web link:

<http://www.backshellworld.com/backshelldesigner.asp>

#### CROSS-REFERENCE TO OTHER MANUFACTURER’S BACKSHELLS

If you have a Military part number or other manufacturer’s part number for which you are looking for an equivalent item, we have provided a cross-reference on our web link:

<http://www.backshellworld.com/crossreference.aspx>

#### CUSTOM BUILT BACKSHELLS

Backshells for Military & Aerospace applications are governed by SAE, AS85049 standard and Amphenol Backshells are designed to meet the requirement of this standard. Though this standard covers the most popular styles of backshells, many applications call for additional styles and designs. Here is where the capability of Amphenol can support you from the concept to product realization and thereby your unique specification need is satisfied. Please visit our web link for further help:

<http://www.backshellworld.com/customdesign.asp>

38999

|             |
|-------------|
| III         |
| HD          |
| Dualok      |
| II          |
| I           |
| SJT         |
| Accessories |
| Aquacon     |
| Herm/Seal   |
| PCB         |

|              |
|--------------|
| High Speed   |
| Fiber Optics |
| Contacts     |

|                      |
|----------------------|
| EMI Filter Transient |
|----------------------|

|          |
|----------|
| 26482    |
| Matrix 2 |

|               |
|---------------|
| 83723         |
| III           |
| Matrix   Pyle |

|       |
|-------|
| 26500 |
| Pyle  |

|                    |
|--------------------|
| 5015               |
| Crimp Rear Release |
| Matrix             |

|         |
|---------|
| 22992   |
| Class L |

|             |
|-------------|
| Back-Shells |
|-------------|

|                |
|----------------|
| Options Others |
|----------------|

## Backshells

### Tables - By Connector Groups

By Specification (TABLE-1A)

| Connector Specification | Series/Class | Connector Group Code |
|-------------------------|--------------|----------------------|
| 40M38277                |              | K                    |
| 40M39569                |              | J                    |
| BS9520                  | G0001        | K                    |
| BS9520                  | G0002        | K                    |
| BS9520                  | G0003        | L                    |
| BS9522 F0001            | Patt 602     | J                    |
| BS9522 F0012            | Patt 615     | M*                   |
| BS9522 F0017            | Patt 105     | N*                   |
| BS9522 F0020            | Patt 608     | N*                   |
| BS9522 F0029            | Patt 616     | K                    |
| BS9522 F0042            |              | J                    |
| BS9522 N0001            | Patt 603     | N*                   |
| BS9522 N0003            | Patt 614     | K                    |
| CECC 75201.001          |              | J                    |
| CECC 75201.002          |              | L                    |
| DEF 5326-3              |              | J                    |
| EN 2997                 |              | J                    |
| EN 3645                 |              | L                    |
| EN 3646                 |              | J                    |
| EN3372                  |              | M*                   |
| ESC 10                  |              | J                    |
| ESC11                   |              | J                    |
| JN1003                  |              | M*                   |
| LN 29504                |              | J                    |
| LN 29728                |              | J                    |
| LN29729                 |              | M*                   |
| MIL-C-81703             | 3            | J                    |
| MIL-DTL-26482           | 2            | J                    |
| MIL-DTL-38999           | I            | K                    |
| MIL-DTL-38999           | II           | K                    |
| MIL-DTL-38999           | III          | L                    |
| MIL-DTL-38999           | IV           | L                    |
| MIL-DTL-5015            | MS340        | J                    |
| MIL-DTL-5015            | MS345        | J                    |
| MIL-DTL-83723           | I            | J                    |
| MIL-DTL-83723           | III          | J                    |
| NAS 1599                |              | J                    |
| NFC93422                | HE302        | J                    |
| NFC93422                | HE306        | M*                   |
| NFC93422                | HE308        | K                    |
| NFC93422                | HE309        | K                    |
| NFL 54140               |              | J                    |
| PAN 6432-1              |              | J                    |
| PAN 6432-2              |              | J                    |
| PAN 6433-1              |              | K                    |
| PAN6433-2               |              | M*                   |
| VG 96912                | 2            | K                    |
| VG 96912                | 1            | M*                   |

By Manufacturer (TABLE-1D)

| Amphenol/Bendix/Socapex/Pyle Part Number Prefix | Connector Group Code |
|---|----------------------|
| 10-475  | K                    |
| 118   | J                    |
| 162GB   | N*                   |
| 418-1   | K                    |
| 418-2   | K                    |
| 418-5   | M*                   |
| 486   | J                    |
| 518   | J                    |
| 602GB   | J                    |
| 62GB  | N*                   |
| 652   | J                    |
| 711   | J                    |
| 801   | J                    |
| 91-483  | J                    |
| 944   | J                    |
| B   | J                    |
| BE  | J                    |
| BT  | J                    |
| BY1   | J                    |
| EA  | J                    |
| EB  | J                    |
| EEG   | J                    |
| ES  | J                    |
| ET  | J                    |
| JT  | K                    |
| LJT   | K                    |
| LS  | J                    |
| MB1   | J                    |
| MB3   | J                    |
| MB9   | K                    |
| MD  | J                    |
| ML94  | L                    |
| MQ3   | J                    |
| MT3   | J                    |
| MT93  | L                    |
| PTS-DR  | J                    |
| SJT   | M*                   |
| T3  | L                    |
| TV  | L                    |
| TVRB  | L                    |
| TVS   | L                    |

\* Connector Groups M and N are not included in this catalog section. For more information go to [backshellworld.com](http://backshellworld.com).

38999

|             |
|-------------|
| III         |
| HD          |
| Dualok      |
| II          |
| I           |
| SJT         |
| Accessories |
| Aquacon     |
| Herm/Seal   |
| PCB         |

|              |            |
|--------------|------------|
| Fiber Optics | High Speed |
|              | Contacts   |

|            |           |
|------------|-----------|
| EMI Filter | Transient |
|------------|-----------|

|          |       |
|----------|-------|
| Matrix 2 | 26482 |
|----------|-------|

|               |       |
|---------------|-------|
| Matrix   Pyle | 83723 |
|---------------|-------|

|      |       |
|------|-------|
| Pyle | 26500 |
|------|-------|

|                           |      |
|---------------------------|------|
| Crimp Rear Release Matrix | 5015 |
|---------------------------|------|

|         |       |
|---------|-------|
| Class 1 | 22992 |
|---------|-------|

|            |  |
|------------|--|
| Back-Shell |  |
|------------|--|

|         |        |
|---------|--------|
| Options | Others |
|---------|--------|



38999

- III
- HD
- Dualok
- II
- I
- SJT
- Accessories
- Aquacon
- Herm/Seal
- PCB

High Speed  
Fiber Optics  
Contacts

EMI Filter  
Transient

26482  
Matrix 2

83723  
III  
Matrix | Pyle

26500  
Pyle

5015  
Crimp Rear Release  
Matrix

22992  
Class L

Back-Shells

Options  
Others

#### MATERIALS & FINISHES

Amphenol offers adapters in the following standard finishes. The base material is aluminum alloy.

#### MATERIAL:

- Aluminum parts: As per ASTM B 211, 221, 209, 85, 26
- Steel parts: 300 series, as per AMS-QQ-S-763/ASTM A 582
- Elastomers: Fluro Silcon, Silicon
- Other parts: Suitable corrosion resistant material

#### MIL (QPL) QUALIFICATION

Many Amphenol Backshells are qualified to SAE-AS 85049 standard. (Old standard is MIL-C-85049).

TABLE-2 (PLATING FINISHES)

| Amphenol Designation | MIL Designation | Finish                                      | Guiding Specifications/Requirements  |
|----------------------|-----------------|---|--|
| A                    | A               | Anodize, Black*                             | To meet AS85049 requirements   |
| B                    |                 | Anodize, Hard*                              | AMS-A-8625, Type-III, Class-1  |
| L                    |                 | Nickel, Bright                              | AMS-QQ-290, Class-1, Grade-F   |
| M                    |                 | Electroless Nickel                          | AMS-C-26074, Class-4, Grade-B  |
| N                    | N               | Electroless Nickel                          | To meet AS85049 requirements   |
| T                    |                 | Cadmium, Bright                             | AMS-QQ-P-416, Type-I, Class-2  |
| U                    |                 | Cadmium, Olive drab                         | AMS-QQ-P-416, Type II, Class 3   |
| V                    |                 | Cadmium, Olive drab over Electroless Nickel | AMS-QQ-P-416, Type-II, Class-3 (Cadmium); AMS-C-26074, Class-4, grade-B (Nickel) |
| W                    | W               | Cadmium, Olive drab over Electroless Nickel | To meet AS85049 requirements   |
| Y                    |                 | Zinc-Cobalt, Dark Olive drab                | ASTM-B840  |
| Z                    |                 | Zinc-Cobalt, Black                          | ASTM-B840  |

For availability of other finishes, email your special requirements: email: sales@backshellworld.com

\* Non conductive coatings.

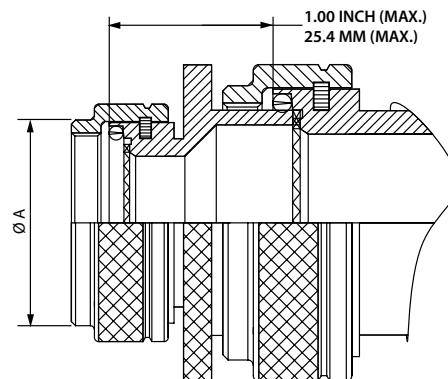
#### ASSEMBLY TORQUE VALUES

Amphenol recommends the following torque values for its adapters while assembling them to the connectors. These values are based on the coupling thread strength specified in SAE-AS85049 standard.

| Connector Shell Size | Torque (Inch-Pounds) |
|----------------------|----------------------|
| 8, 9                 | 40                   |
| 3, 10, 10SL, 11      | 40                   |
| 7, 12, 12S, 13       | 40                   |
| 14, 14S, 15          | 40                   |
| 16, 16S, 17          | 40                   |
| 18, 19, 27           | 40                   |
| 20, 21, 37           | 80                   |
| 22, 23               | 80                   |
| 24, 25, 61           | 80                   |
| 28                   | 100                  |
| 32                   | 100                  |
| 36                   | 100                  |
| 40                   | 120                  |
| 44                   | 120                  |
| 48                   | 120                  |

#### STYLE-2 CONFIGURATION

Some design consideration will require bigger diameter cable to be terminated in the smaller shell size connectors. Cable with heavy/thicker shielding, many wires for different branches/routing are some of the examples. Such cable termination will require a bigger adapter body with cable entry dimensions more than the connector rear side dimensions Amphenol also supports this kind of application. The coupling end of the adapter will be modified to Style-2 design as shown in the figure below in such cases. The overall length of the Style-2 design adapters would be increased by approx. 1 inch (25.mm) as shown. This alternative design is applicable for all the Backshell Families listed in this catalog.



# Non-Environmental Backshell

## Straight, Spin Coupling

### For Connector Family L

**38999 Series III, IV**

Connector Family "L", includes MIL-DTL-38999 Series III and Series IV



**MIL Part Number**  
**M85049 / 21 11 W 03 A**

MIL Series: M85049  
 Slash Sheet: 21: Straight, Spin Coupling  
 Shell Size: 11  
 Cable Range: W  
 Length: 03  
 Clamp Size: A

Length: See Table-A (Omit for "STD")  
 Clamp Size: See Table-A  
 Finish: See Table- 2 (pg. 486)

| MIL PART NUMBER DESIGNATOR |            |        | CONNECTOR SHELL SIZE/ CODE (REF.) | CABLE RANGE |       |       |       | A DIA. (MAX) |       | B (MAX) |       | Y (MAX) |       |       |      |       |
|----------------------------|------------|--------|-----------------------------------|-------------|-------|-------|-------|--------------|-------|---------|-------|---------|-------|-------|------|-------|
| CONNECTOR SHELL SIZE       | CLAMP SIZE | LENGTH |                                   | MIN         |       | MAX   |       | INCH         | MM    | INCH    | MM    | INCH    | MM    |       |      |       |
|                            |            |        |                                   | INCH        | MM    | INCH  | MM    |              |       |         |       |         |       |       |      |       |
| 9                          | 01         | STD.   | 09 / A                            | 0.06        | 1.57  | 0.13  | 3.18  | 0.75         | 19.05 | 1.53    | 38.86 | 0.80    | 20.32 |       |      |       |
|                            |            | A      |                                   |             |       |       |       |              |       | 2.53    | 64.26 |         |       |       |      |       |
|                            | 02         | STD.   |                                   | 0.13        | 3.18  | 0.25  | 6.35  |              |       | 1.53    | 38.86 | 1.00    | 25.40 |       |      |       |
|                            |            | A      |                                   | 2.53        | 64.26 |       |       |              |       |         |       |         |       |       |      |       |
| 11                         | 01         | STD.   |                                   | 11 / B      | 0.06  | 1.57  | 0.13  |              |       | 3.18    | 0.85  | 21.59   | 1.53  | 38.86 | 0.80 | 20.32 |
|                            |            | A      |                                   |             |       |       |       |              |       |         |       |         | 2.53  | 64.26 |      |       |
|                            | 02         | STD.   |                                   |             | 0.13  | 3.18  | 0.25  |              |       | 6.35    |       |         | 1.53  | 38.86 | 1.00 | 25.40 |
|                            |            | A      |                                   |             | 2.53  | 64.26 |       |              |       |         |       |         |       |       |      |       |
|                            | 03         | STD.   | 0.25                              |             | 6.35  | 0.38  | 9.53  | 1.53         | 38.86 | 1.10    |       |         | 27.94 |       |      |       |
|                            |            | A      | 2.53                              |             | 64.26 |       |       |              |       |         |       |         |       |       |      |       |
| 13                         |            | 02     | STD.                              | 13 / C      | 0.13  | 3.18  | 0.25  | 6.35         | 1.00  |         | 25.40 | 1.53    |       | 38.86 | 1.00 | 25.40 |
|                            |            |        | A                                 |             |       |       |       |              |       |         |       | 2.53    |       | 64.26 |      |       |
| 03                         | STD.       | 0.25   | 6.35                              |             | 0.38  | 9.53  | 1.53  | 38.86        |       | 1.10    |       | 27.94   |       |       |      |       |
|                            | A          | 2.53   | 64.26                             |             |       |       |       |              |       |         |       |         |       |       |      |       |
| 04                         | STD.       | 0.31   | 7.92                              |             | 0.50  | 12.70 | 1.53  | 38.86        |       | 1.20    |       | 30.48   |       |       |      |       |
|                            | A          | 2.53   | 64.26                             |             |       |       |       |              |       |         |       |         |       |       |      |       |
|                            | 15         | 02     | STD.                              | 15 / D      | 0.13  | 3.18  | 0.25  | 6.35         | 1.10  |         | 27.94 |         | 1.53  | 38.86 | 1.00 | 25.40 |
|                            |            |        | A                                 |             |       |       |       |              |       |         |       |         | 2.53  | 64.26 |      |       |
| 03                         |            | STD.   | 0.25                              |             | 6.35  | 0.38  | 9.53  | 1.53         |       | 38.86   |       | 1.10    | 27.94 |       |      |       |
|                            |            | A      | 2.53                              |             | 64.26 |       |       |              |       |         |       |         |       |       |      |       |
| 04                         |            | STD.   | 0.31                              |             | 7.92  | 0.50  | 12.70 | 1.53         |       | 38.86   |       | 1.20    | 30.48 |       |      |       |
|                            |            | A      | 2.53                              |             | 64.26 |       |       |              |       |         |       |         |       |       |      |       |
| 05                         | STD.       | 0.44   | 11.10                             | 0.63        | 15.88 | 1.53  | 38.86 | 1.25         | 31.75 |         |       |         |       |       |      |       |
|                            | A          | 2.53   | 64.26                             |             |       |       |       |              |       |         |       |         |       |       |      |       |
|                            | 17         | 02     | STD.                              | 17/E        | 0.13  | 3.18  | 0.25  |              |       | 6.35    | 1.25  | 31.75   | 1.53  | 38.86 | 1.00 | 25.40 |
|                            |            |        | A                                 |             |       |       |       |              |       |         |       |         | 2.53  | 64.26 |      |       |
| 03                         |            | STD.   | 0.25                              |             | 6.35  | 0.38  | 9.53  | 1.53         | 38.86 | 1.10    |       |         | 27.94 |       |      |       |
|                            |            | A      | 2.53                              |             | 64.26 |       |       |              |       |         |       |         |       |       |      |       |
| 04                         |            | STD.   | 0.31                              |             | 7.92  | 0.50  | 12.70 | 1.53         | 38.86 | 1.20    |       |         | 30.48 |       |      |       |
|                            |            | A      | 2.53                              |             | 64.26 |       |       |              |       |         |       |         |       |       |      |       |

Note: For more cable entry and length options, email: sales@backshellworld.com  
 All dimensions for reference only.

TABLE CONTINUES ON NEXT PAGE

38999

- III
- HD
- Dualok
- II
- I
- SJT
- Accessories
- Aquacon
- Herm/Seal
- PCB

- Fiber
- Optics
- High Speed
- Contacts

- EMI Filter
- Transient

- Matrix 2
- 26482

- Matrix Pyle
- III
- 83723

- Pyle
- 26500

- Crimp Rear Release Matrix
- 5015

- Class I
- 22992

- Backshells

- Options
- Others

### For Connector Family L

**38999 Series III, IV**

Connector Family "L", includes MIL-DTL-38999 Series III and Series IV

TABLE - A, Cont.

| MIL PART NUMBER DESIGNATOR |            |        | CONNECTOR SHELL SIZE/ CODE (REF.) | CABLE RANGE |        |      |       | A DIA. (MAX) |       | B (MAX) |        | Y (MAX) |       |      |       |      |       |
|----------------------------|------------|--------|-----------------------------------|-------------|--------|------|-------|--------------|-------|---------|--------|---------|-------|------|-------|------|-------|
| CONNECTOR SHELL SIZE       | CLAMP SIZE | LENGTH |                                   | MIN         |        | MAX  |       | INCH         | MM    | INCH    | MM     | INCH    | MM    |      |       |      |       |
|                            |            |        |                                   | INCH        | MM     | INCH | MM    |              |       |         |        |         |       |      |       |      |       |
| 17, cont.                  | 05         | STD.   | 17/E                              | 0.44        | 11.10  | 0.63 | 15.88 | 1.25         | 31.75 | 1.53    | 38.86  | 1.25    | 31.75 |      |       |      |       |
|                            |            | A      |                                   |             |        |      |       |              |       | 2.53    | 64.26  |         |       |      |       |      |       |
|                            |            | B      |                                   |             |        |      |       |              |       | 3.53    | 89.66  |         |       |      |       |      |       |
|                            | 06         | STD.   |                                   | 0.56        | 14.27  | 0.75 | 19.05 |              |       | 1.53    | 38.86  | 1.40    | 35.56 |      |       |      |       |
|                            |            | A      |                                   |             |        |      |       |              |       | 2.53    | 64.26  |         |       |      |       |      |       |
|                            |            | B      |                                   |             |        |      |       |              |       | 3.53    | 89.66  |         |       |      |       |      |       |
| 19                         | 03         | STD.   | 19 / F                            | 0.25        | 6.35   | 0.38 | 9.53  | 1.40         | 35.56 | 1.53    | 38.86  | 1.10    | 27.94 |      |       |      |       |
|                            |            | A      |                                   |             |        |      |       |              |       | 2.53    | 64.26  |         |       |      |       |      |       |
|                            |            | B      |                                   |             |        |      |       |              |       | 3.53    | 89.66  |         |       |      |       |      |       |
|                            | 04         | STD.   |                                   | 0.31        | 7.92   | 0.50 | 12.70 |              |       | 1.53    | 38.86  | 1.20    | 30.48 |      |       |      |       |
|                            |            | A      |                                   |             |        |      |       |              |       | 2.53    | 64.26  |         |       |      |       |      |       |
|                            |            | B      |                                   |             |        |      |       |              |       | 3.53    | 89.66  |         |       |      |       |      |       |
|                            | 05         | STD.   |                                   | 0.44        | 11.10  | 0.63 | 15.88 |              |       | 1.53    | 38.86  | 1.25    | 31.75 |      |       |      |       |
|                            |            | A      |                                   |             |        |      |       |              |       | 2.53    | 64.26  |         |       |      |       |      |       |
|                            |            | B      |                                   |             |        |      |       |              |       | 3.53    | 89.66  |         |       |      |       |      |       |
|                            | 06         | STD.   |                                   | 0.56        | 14.27  | 0.75 | 19.05 |              |       | 1.53    | 38.86  | 1.40    | 35.56 |      |       |      |       |
|                            |            | A      |                                   |             |        |      |       |              |       | 2.53    | 64.26  |         |       |      |       |      |       |
|                            |            | B      |                                   |             |        |      |       |              |       | 3.53    | 89.66  |         |       |      |       |      |       |
|                            | 07         | STD.   |                                   | 0.69        | 17.45  | 0.88 | 22.23 |              |       | 1.53    | 38.86  | 1.50    | 38.10 |      |       |      |       |
|                            |            | A      |                                   |             |        |      |       |              |       | 2.53    | 64.26  |         |       |      |       |      |       |
|                            |            | B      |                                   |             |        |      |       |              |       | 3.53    | 89.66  |         |       |      |       |      |       |
|                            | 21         | 03     |                                   | STD.        | 21 / G | 0.25 | 6.35  |              |       | 0.38    | 9.53   | 1.50    | 38.10 | 1.53 | 38.86 | 1.10 | 27.94 |
|                            |            |        |                                   | A           |        |      |       |              |       |         |        |         |       | 2.53 | 64.26 |      |       |
|                            |            |        |                                   | B           |        |      |       |              |       |         |        |         |       | 3.53 | 89.66 |      |       |
| 04                         |            | STD.   | 0.31                              | 7.92        |        | 0.50 | 12.70 | 1.53         | 38.86 | 1.20    | 30.48  |         |       |      |       |      |       |
|                            |            | A      |                                   |             |        |      |       | 2.53         | 64.26 |         |        |         |       |      |       |      |       |
|                            |            | B      |                                   |             |        |      |       | 3.53         | 89.66 |         |        |         |       |      |       |      |       |
| 05                         |            | STD.   | 0.44                              | 11.10       |        | 0.63 | 15.88 | 1.53         | 38.86 | 1.25    | 31.75  |         |       |      |       |      |       |
|                            |            | A      |                                   |             |        |      |       | 2.53         | 64.26 |         |        |         |       |      |       |      |       |
|                            |            | B      |                                   |             |        |      |       | 3.53         | 89.66 |         |        |         |       |      |       |      |       |
| 06                         |            | STD.   | 0.56                              | 14.27       |        | 0.75 | 19.05 | 1.53         | 38.86 | 1.40    | 35.56  |         |       |      |       |      |       |
|                            |            | A      |                                   |             |        |      |       | 2.53         | 64.26 |         |        |         |       |      |       |      |       |
|                            |            | B      |                                   |             |        |      |       | 3.53         | 89.66 |         |        |         |       |      |       |      |       |
| 07                         |            | STD.   | 0.69                              | 17.45       |        | 0.88 | 22.23 | 1.53         | 38.86 | 1.50    | 38.10  |         |       |      |       |      |       |
|                            |            | A      |                                   |             |        |      |       | 2.53         | 64.26 |         |        |         |       |      |       |      |       |
|                            |            | B      |                                   |             |        |      |       | 3.53         | 89.66 |         |        |         |       |      |       |      |       |
| 08                         |            | STD.   | 0.81                              | 20.62       |        | 1.00 | 25.40 | 1.53         | 38.86 | 1.65    | 41.91  |         |       |      |       |      |       |
|                            |            | A      |                                   |             |        |      |       | 2.53         | 64.26 |         |        |         |       |      |       |      |       |
|                            |            | B      |                                   |             |        |      |       | 3.53         | 89.66 |         |        |         |       |      |       |      |       |
| 23                         | 03         | STD.   | 23 / H                            | 0.25        | 6.35   | 0.38 | 9.53  | 1.65         | 41.91 | 1.53    | 38.86  | 1.10    | 27.94 |      |       |      |       |
|                            |            | A      |                                   |             |        |      |       |              |       | 2.53    | 64.26  |         |       |      |       |      |       |
|                            |            | B      |                                   |             |        |      |       |              |       | 3.53    | 89.66  |         |       |      |       |      |       |
|                            |            | C      |                                   |             |        |      |       |              |       | 4.53    | 115.06 |         |       |      |       |      |       |

Note: For more cable entry and length options, email: [sales@backshellworld.com](mailto:sales@backshellworld.com)  
All dimensions for reference only.

TABLE CONTINUES ON NEXT PAGE

38999

III

HD

Dualok

II

I

SJT

Accessories

Aquacon

Herm/Seal

PCB

High Speed

Fiber Optics

Contacts

EMI Filter Transient

26482

Matrix 2

83723

III

Matrix | Pyle

26500

Pyle

5015

Crimp Rear Release Matrix

22992

Class L

Back-Shells

Options Others

### For Connector Family L

38999

- III
- HD
- Dualok
- II
- I
- SJT
- Accessories
- Aquacon
- Herm/Seal
- PCB

- Fiber Optics
- High Speed
- Contacts

- EMI Filter
- Transient

- Matrix 2
- 26482

- Matrix I/Pyle
- 83723
- III

- Pyle
- 26500

- Crimp Rear Release Matrix
- 5015

- Class I
- 22992

- Back-Shell

- Options
- Others

**38999 Series III, IV**

Connector Family "L", includes MIL-DTL-38999 Series III and Series IV

TABLE - A, Cont.

| MIL PART NUMBER DESIGNATOR |            |        | CONNECTOR SHELL SIZE/ CODE (REF.) | CABLE RANGE |        |      |        | A DIA. (MAX) |       | B (MAX) |        | Y (MAX) |       |
|----------------------------|------------|--------|-----------------------------------|-------------|--------|------|--------|--------------|-------|---------|--------|---------|-------|
| CONNECTOR SHELL SIZE       | CLAMP SIZE | LENGTH |                                   | MIN         |        | MAX  |        | INCH         | MM    | INCH    | MM     | INCH    | MM    |
|                            |            |        |                                   | INCH        | MM     | INCH | MM     |              |       |         |        |         |       |
| 23, cont.                  | 04         | STD.   | 23 / H                            | 0.31        | 7.92   | 0.50 | 12.70  | 1.65         | 41.91 | 1.53    | 38.86  | 1.20    | 30.48 |
|                            |            | A      |                                   |             |        |      |        |              |       | 2.53    | 64.26  |         |       |
|                            |            | B      |                                   |             |        |      |        |              |       | 3.53    | 89.66  |         |       |
|                            |            | C      |                                   |             |        |      |        |              |       | 4.53    | 115.06 |         |       |
|                            | 05         | STD.   |                                   | 0.44        | 11.10  | 0.63 | 15.88  |              |       | 1.53    | 38.86  | 1.25    | 31.75 |
|                            |            | A      |                                   | 2.53        | 64.26  |      |        |              |       |         |        |         |       |
|                            |            | B      |                                   | 3.53        | 89.66  |      |        |              |       |         |        |         |       |
|                            |            | C      |                                   | 4.53        | 115.06 |      |        |              |       |         |        |         |       |
|                            | 06         | STD.   |                                   | 0.56        | 14.27  | 0.75 | 19.05  |              |       | 1.53    | 38.86  | 1.40    | 35.56 |
|                            |            | A      |                                   |             |        |      |        |              |       | 2.53    | 64.26  |         |       |
|                            |            | B      |                                   |             |        |      |        |              |       | 3.53    | 89.66  |         |       |
|                            |            | C      |                                   |             |        |      |        |              |       | 4.53    | 115.06 |         |       |
|                            | 07         | STD.   |                                   | 0.69        | 17.45  | 0.88 | 22.23  |              |       | 1.53    | 38.86  | 1.50    | 38.10 |
|                            |            | A      |                                   |             |        |      |        |              |       | 2.53    | 64.26  |         |       |
|                            |            | B      |                                   |             |        |      |        |              |       | 3.53    | 89.66  |         |       |
|                            |            | C      |                                   |             |        |      |        |              |       | 4.53    | 115.06 |         |       |
|                            | 08         | STD.   |                                   | 0.81        | 20.62  | 1.00 | 25.40  |              |       | 1.53    | 38.86  | 1.65    | 41.91 |
|                            |            | A      |                                   |             |        |      |        |              |       | 2.53    | 64.26  |         |       |
|                            |            | B      |                                   |             |        |      |        |              |       | 3.53    | 89.66  |         |       |
|                            |            | C      |                                   |             |        |      |        |              |       | 4.53    | 115.06 |         |       |
|                            | 09         | STD.   |                                   | 0.94        | 23.80  | 1.13 | 28.58  |              |       | 1.53    | 38.86  | 1.75    | 44.45 |
|                            |            | A      |                                   |             |        |      |        |              |       | 2.53    | 64.26  |         |       |
|                            |            | B      |                                   |             |        |      |        |              |       | 3.53    | 89.66  |         |       |
|                            |            | C      |                                   |             |        |      |        |              |       | 4.53    | 115.06 |         |       |
| 25                         | 04         | STD.   | 25 / J                            | 0.31        | 7.92   | 0.50 | 12.70  | 1.75         | 44.45 | 1.53    | 38.86  | 1.20    | 30.48 |
|                            |            | A      |                                   |             |        |      |        |              |       | 2.53    | 64.26  |         |       |
|                            |            | B      |                                   |             |        |      |        |              |       | 3.53    | 89.66  |         |       |
|                            |            | C      |                                   |             |        |      |        |              |       | 4.53    | 115.06 |         |       |
|                            | 05         | STD.   |                                   | 0.44        | 11.10  | 0.63 | 15.88  |              |       | 1.53    | 38.86  | 1.25    | 31.75 |
|                            |            | A      |                                   | 2.53        | 64.26  |      |        |              |       |         |        |         |       |
|                            |            | B      |                                   | 3.53        | 89.66  |      |        |              |       |         |        |         |       |
|                            |            | C      |                                   | 4.53        | 115.06 |      |        |              |       |         |        |         |       |
|                            | 06         | STD.   |                                   | 0.56        | 14.27  | 0.75 | 19.05  |              |       | 1.53    | 38.86  | 1.40    | 35.56 |
|                            |            | A      |                                   |             |        |      |        |              |       | 2.53    | 64.26  |         |       |
|                            |            | B      |                                   |             |        |      |        |              |       | 3.53    | 89.66  |         |       |
|                            |            | C      |                                   |             |        |      |        |              |       | 4.53    | 115.06 |         |       |
|                            | 07         | STD.   |                                   | 0.69        | 17.45  | 0.88 | 22.23  |              |       | 1.53    | 38.86  | 1.50    | 38.10 |
|                            |            | A      |                                   |             |        |      |        |              |       | 2.53    | 64.26  |         |       |
|                            |            | B      |                                   |             |        |      |        |              |       | 3.53    | 89.66  |         |       |
|                            |            | C      |                                   |             |        |      |        |              |       | 4.53    | 115.06 |         |       |
|                            | 08         | STD.   |                                   | 0.81        | 20.62  | 1.00 | 25.40  |              |       | 1.53    | 38.86  | 1.65    | 41.91 |
|                            |            | A      |                                   |             |        |      |        |              |       | 2.53    | 64.26  |         |       |
|                            |            | B      |                                   |             |        |      |        |              |       | 3.53    | 89.66  |         |       |
|                            |            | C      |                                   |             |        |      |        |              |       | 4.53    | 115.06 |         |       |
|                            | 09         | STD.   |                                   | 0.94        | 23.80  | 1.13 | 28.58  |              |       | 1.53    | 38.86  | 1.75    | 44.45 |
|                            |            | A      |                                   |             |        |      |        |              |       | 2.53    | 64.26  |         |       |
|                            |            | B      |                                   |             |        |      |        |              |       | 3.53    | 89.66  |         |       |
|                            |            | C      |                                   |             |        |      |        |              |       | 4.53    | 115.06 |         |       |
| 10                         | STD.       | 1.06   | 26.97                             | 1.25        | 31.75  | 1.53 | 38.86  | 1.90         | 48.26 |         |        |         |       |
|                            | A          |        |                                   |             |        | 2.53 | 64.26  |              |       |         |        |         |       |
|                            | B          |        |                                   |             |        | 3.53 | 89.66  |              |       |         |        |         |       |
|                            | C          |        |                                   |             |        | 4.53 | 115.06 |              |       |         |        |         |       |

Note: For more cable entry and length options, email: sales@backshellworld.com. All dimensions for reference only.

### For Connector Family L

**38999 Series III, IV**

Connector Family "L", includes MIL-DTL-38999 Series III and Series IV

**MIL Part Number**

**M85049 / 19 11 W 03 A**

MIL Series: M85049 / 19  
 Slash Sheet: 19: Straight, Spin Coupling  
 Shell Size: 11  
 Length: 03  
 Clamp Size: A  
 Finish: A

Length: See Table-A (Omit for "STD")  
 Clamp Size: See Table-A  
 Finish: See Table-2 (pg. 486)



| TABLE-A                    |            |        |                                   |             |       |      |       |              |       |         |       |         |       |
|----------------------------|------------|--------|-----------------------------------|-------------|-------|------|-------|--------------|-------|---------|-------|---------|-------|
| MIL PART NUMBER DESIGNATOR |            |        | CONNECTOR SHELL SIZE/ CODE (REF.) | CABLE RANGE |       |      |       | A DIA. (MAX) |       | L (MAX) |       | Y (MAX) |       |
| CONNECTOR SHELL SIZE       | CLAMP SIZE | LENGTH |                                   | MIN         |       | MAX  |       | INCH         | MM    | INCH    | MM    | INCH    | MM    |
|                            |            |        |                                   | INCH        | MM    | INCH | MM    |              |       |         |       |         |       |
| 9                          | 01         | STD.   | 09 / A                            | 0.06        | 1.57  | 0.13 | 3.18  | 0.75         | 19.05 | 1.53    | 38.86 | 0.80    | 20.32 |
|                            |            | A      |                                   |             |       |      |       |              |       | 2.53    | 64.26 |         |       |
|                            |            |        |                                   |             |       |      |       |              |       | 1.53    | 38.86 |         |       |
|                            | 02         | STD.   |                                   | 0.13        | 3.18  | 0.25 | 6.35  |              |       | 1.00    | 25.40 |         |       |
|                            |            | A      |                                   |             |       | 2.53 | 64.26 |              |       |         |       |         |       |
|                            |            |        |                                   |             |       | 1.53 | 38.86 |              |       |         |       |         |       |
| 11                         | 01         | STD.   | 11 / B                            | 0.06        | 1.57  | 0.13 | 3.18  | 0.85         | 21.59 | 1.53    | 38.86 | 0.80    | 20.32 |
|                            |            | A      |                                   |             |       |      |       |              |       | 2.53    | 64.26 |         |       |
|                            |            |        |                                   |             |       |      |       |              |       | 1.53    | 38.86 |         |       |
|                            | 02         | STD.   |                                   | 0.13        | 3.18  | 0.25 | 6.35  |              |       | 1.00    | 25.40 |         |       |
|                            |            | A      |                                   |             |       | 2.53 | 64.26 |              |       |         |       |         |       |
|                            |            |        |                                   |             |       | 1.53 | 38.86 |              |       |         |       |         |       |
| 03                         | STD.       | 0.25   | 6.35                              | 0.38        | 9.53  | 1.10 | 27.94 |              |       |         |       |         |       |
|                            | A          |        |                                   | 2.53        | 64.26 |      |       |              |       |         |       |         |       |
|                            |            |        |                                   | 1.53        | 38.86 |      |       |              |       |         |       |         |       |
| 13                         | 02         | STD.   | 13 / C                            | 0.13        | 3.18  | 0.25 | 6.35  | 1.00         | 25.40 | 1.53    | 38.86 | 1.00    | 25.40 |
|                            |            | A      |                                   |             |       |      |       |              |       | 2.53    | 64.26 |         |       |
|                            |            |        |                                   |             |       |      |       |              |       | 1.53    | 38.86 |         |       |
|                            | 03         | STD.   |                                   | 0.25        | 6.35  | 0.38 | 9.53  |              |       | 1.10    | 27.94 |         |       |
|                            |            | A      |                                   |             |       | 2.53 | 64.26 |              |       |         |       |         |       |
|                            |            |        |                                   |             |       | 1.53 | 38.86 |              |       |         |       |         |       |
| 04                         | STD.       | 0.31   | 7.92                              | 0.50        | 12.70 | 1.20 | 30.48 |              |       |         |       |         |       |
|                            | A          |        |                                   | 2.53        | 64.26 |      |       |              |       |         |       |         |       |
|                            |            |        |                                   | 1.53        | 38.86 |      |       |              |       |         |       |         |       |
| 15                         | 02         | STD.   | 15 / D                            | 0.13        | 3.18  | 0.25 | 6.35  | 1.10         | 27.94 | 1.53    | 38.86 | 1.00    | 25.40 |
|                            |            | A      |                                   |             |       |      |       |              |       | 2.53    | 64.26 |         |       |
|                            |            | B      |                                   |             |       |      |       |              |       | 3.53    | 89.66 |         |       |
|                            | 03         | STD.   |                                   | 0.25        | 6.35  | 0.38 | 9.53  |              |       | 1.10    | 27.94 |         |       |
|                            |            | A      |                                   |             |       | 2.53 | 64.26 |              |       |         |       |         |       |
|                            |            | B      |                                   |             |       | 3.53 | 89.66 |              |       |         |       |         |       |
|                            | 04         | STD.   |                                   | 0.31        | 7.92  | 0.50 | 12.70 |              |       | 1.20    | 30.48 |         |       |
|                            |            | A      |                                   |             |       | 2.53 | 64.26 |              |       |         |       |         |       |
|                            |            | B      |                                   |             |       | 3.53 | 89.66 |              |       |         |       |         |       |
|                            | 05         | STD.   |                                   | 0.44        | 11.10 | 0.63 | 15.88 |              |       | 1.25    | 31.75 |         |       |
|                            |            | A      |                                   |             |       | 2.53 | 64.26 |              |       |         |       |         |       |
|                            |            | B      |                                   |             |       | 3.53 | 89.66 |              |       |         |       |         |       |

Note: For more cable entry and length options, email: sales@backshellworld.com  
 All dimensions for reference only.

TABLE CONTINUES ON NEXT PAGE

- 38999
- III
- HD
- Dualok
- II
- I
- SJT
- Accessories
- Aquacon
- Herm/Seal
- PCB
- High Speed
- Fiber Optics
- Contacts
- EMI Filter
- Transient
- 26482
- Matrix 2
- 83723
- III
- Matrix | Pyle
- 26500
- Pyle
- 5015
- Crimp Rear Release
- Matrix
- 22992
- Class L
- Back-Shells
- Options
- Others

### For Connector Family L

38999

- III
- HD
- Dualok
- II
- I
- SJT
- Accessories
- Aquacon
- Herm/Seal
- PCB

- Fiber Optics
- High Speed
- Contacts

- EMI Filter
- Transient

- Matrix 2
- 26482

- Matrix Pyle
- III
- 83723

- Pyle
- 26500

- Crimp Rear Release
- Matrix
- 5015

- Class I
- 22992

- Back-Shell

- Options
- Others

**38999 Series III, IV**

Connector Family "L", includes MIL-DTL-38999 Series III and Series IV

| MIL PART NUMBER DESIGNATOR |            |        | CONNECTOR SHELL SIZE/ CODE (REF.) | CABLE RANGE |       |      |       | A DIA. (MAX) |       | L (MAX) |       | Y (MAX) |       |      |        |  |  |
|----------------------------|------------|--------|-----------------------------------|-------------|-------|------|-------|--------------|-------|---------|-------|---------|-------|------|--------|--|--|
| CONNECTOR SHELL SIZE       | CLAMP SIZE | LENGTH |                                   | MIN         |       | MAX  |       | INCH         | MM    | INCH    | MM    | INCH    | MM    |      |        |  |  |
|                            |            |        |                                   | INCH        | MM    | INCH | MM    |              |       |         |       |         |       |      |        |  |  |
| 17                         | 02         | STD.   | 17 / E                            | 0.13        | 3.18  | 0.25 | 6.35  | 1.25         | 31.75 | 1.53    | 38.86 | 1.00    | 25.40 |      |        |  |  |
|                            |            | A      |                                   |             |       |      |       |              |       | 2.53    | 64.26 |         |       |      |        |  |  |
|                            |            | B      |                                   |             |       |      |       |              |       | 3.53    | 89.66 |         |       |      |        |  |  |
|                            | 03         | STD.   |                                   | 0.25        | 6.35  | 0.38 | 9.53  |              |       | 1.53    | 38.86 | 1.10    | 27.94 |      |        |  |  |
|                            |            | A      |                                   | 2.53        | 64.26 |      |       |              |       |         |       |         |       |      |        |  |  |
|                            |            | B      |                                   | 3.53        | 89.66 |      |       |              |       |         |       |         |       |      |        |  |  |
|                            | 04         | STD.   |                                   | 0.31        | 7.92  | 0.50 | 12.70 |              |       | 1.53    | 38.86 | 1.20    | 30.48 |      |        |  |  |
|                            |            | A      |                                   | 2.53        | 64.26 |      |       |              |       |         |       |         |       |      |        |  |  |
|                            |            | B      |                                   | 3.53        | 89.66 |      |       |              |       |         |       |         |       |      |        |  |  |
|                            | 05         | STD.   |                                   | 0.44        | 11.10 | 0.63 | 15.88 |              |       | 1.53    | 38.86 | 1.25    | 31.75 |      |        |  |  |
|                            |            | A      |                                   | 2.53        | 64.26 |      |       |              |       |         |       |         |       |      |        |  |  |
|                            |            | B      |                                   | 3.53        | 89.66 |      |       |              |       |         |       |         |       |      |        |  |  |
| 06                         | STD.       | 0.56   | 14.27                             | 0.75        | 19.05 | 1.53 | 38.86 | 1.40         | 35.56 |         |       |         |       |      |        |  |  |
|                            | A          | 2.53   | 64.26                             |             |       |      |       |              |       |         |       |         |       |      |        |  |  |
|                            | B          | 3.53   | 89.66                             |             |       |      |       |              |       |         |       |         |       |      |        |  |  |
| 19                         | 03         | STD.   | 19 / F                            | 0.25        | 6.35  | 0.38 | 9.53  | 1.40         | 35.56 | 1.53    | 38.86 | 1.10    | 27.94 |      |        |  |  |
|                            |            | A      |                                   |             |       |      |       |              |       | 2.53    | 64.26 |         |       |      |        |  |  |
|                            |            | B      |                                   |             |       |      |       |              |       | 3.53    | 89.66 |         |       |      |        |  |  |
|                            | 04         | STD.   |                                   | 0.31        | 7.92  | 0.50 | 12.70 |              |       | 1.53    | 38.86 | 1.20    | 30.48 |      |        |  |  |
|                            |            | A      |                                   | 2.53        | 64.26 |      |       |              |       |         |       |         |       |      |        |  |  |
|                            |            | B      |                                   | 3.53        | 89.66 |      |       |              |       |         |       |         |       |      |        |  |  |
|                            | 05         | STD.   |                                   | 0.44        | 11.10 | 0.63 | 15.88 |              |       | 1.53    | 38.86 | 1.25    | 31.75 |      |        |  |  |
|                            |            | A      |                                   | 2.53        | 64.26 |      |       |              |       |         |       |         |       |      |        |  |  |
|                            |            | B      |                                   | 3.53        | 89.66 |      |       |              |       |         |       |         |       |      |        |  |  |
|                            | 06         | STD.   |                                   | 0.56        | 14.27 | 0.75 | 19.05 |              |       | 1.53    | 38.86 | 1.40    | 35.56 |      |        |  |  |
|                            |            | A      |                                   | 2.53        | 64.26 |      |       |              |       |         |       |         |       |      |        |  |  |
|                            |            | B      |                                   | 3.53        | 89.66 |      |       |              |       |         |       |         |       |      |        |  |  |
| 07                         | STD.       | 0.69   | 17.45                             | 0.88        | 22.23 | 1.53 | 38.86 | 1.50         | 38.10 |         |       |         |       |      |        |  |  |
|                            | A          | 2.53   | 64.26                             |             |       |      |       |              |       |         |       |         |       |      |        |  |  |
|                            | B          | 3.53   | 89.66                             |             |       |      |       |              |       |         |       |         |       |      |        |  |  |
| 21                         | 03         | STD.   | 21 / G                            | 0.25        | 6.35  | 0.38 | 9.53  | 1.50         | 38.10 | 1.53    | 38.86 | 1.10    | 27.94 |      |        |  |  |
|                            |            | A      |                                   |             |       |      |       |              |       | 2.53    | 64.26 |         |       |      |        |  |  |
|                            |            | B      |                                   |             |       |      |       |              |       | 3.53    | 89.66 |         |       |      |        |  |  |
|                            | 04         | STD.   |                                   | 0.31        | 7.92  | 0.50 | 12.70 |              |       | 1.53    | 38.86 | 1.20    | 30.48 |      |        |  |  |
|                            |            | A      |                                   | 2.53        | 64.26 |      |       |              |       |         |       |         |       |      |        |  |  |
|                            |            | B      |                                   | 3.53        | 89.66 |      |       |              |       |         |       |         |       |      |        |  |  |
|                            | 05         | STD.   |                                   | 0.44        | 11.10 | 0.63 | 15.88 |              |       | 1.53    | 38.86 | 1.25    | 31.75 |      |        |  |  |
|                            |            | A      |                                   | 2.53        | 64.26 |      |       |              |       |         |       |         |       |      |        |  |  |
|                            |            | B      |                                   | 3.53        | 89.66 |      |       |              |       |         |       |         |       |      |        |  |  |
|                            | 06         | STD.   |                                   | 0.56        | 14.27 | 0.75 | 19.05 |              |       | 1.53    | 38.86 | 1.40    | 35.56 |      |        |  |  |
|                            |            | A      |                                   | 2.53        | 64.26 |      |       |              |       |         |       |         |       |      |        |  |  |
|                            |            | B      |                                   | 3.53        | 89.66 |      |       |              |       |         |       |         |       |      |        |  |  |
|                            | 07         | STD.   |                                   | 0.69        | 17.45 | 0.88 | 22.23 |              |       | 1.53    | 38.86 | 1.50    | 38.10 |      |        |  |  |
|                            |            | A      |                                   | 2.53        | 64.26 |      |       |              |       |         |       |         |       |      |        |  |  |
|                            |            | B      |                                   | 3.53        | 89.66 |      |       |              |       |         |       |         |       |      |        |  |  |
|                            | 08         | STD.   |                                   | 0.81        | 20.62 | 1.00 | 25.40 |              |       | 1.53    | 38.86 | 1.65    | 41.91 |      |        |  |  |
|                            |            | A      |                                   | 2.53        | 64.26 |      |       |              |       |         |       |         |       |      |        |  |  |
|                            |            | B      |                                   | 3.53        | 89.66 |      |       |              |       |         |       |         |       |      |        |  |  |
|                            |            |        |                                   |             |       |      |       |              |       |         |       |         |       | 4.53 | 115.06 |  |  |

Note: For more cable entry and length options, email: sales@backshellworld.com  
All dimensions for reference only.

TABLE CONTINUES ON NEXT PAGE

### For Connector Family L

**38999 Series III, IV**

Connector Family "L", includes MIL-DTL-38999 Series III and Series IV

38999

- III
- HD
- Dualok
- II
- I
- SJT
- Accessories
- Aquacon
- Herm/Seal
- PCB

- High Speed
- Fiber Optics
- Contacts

- EMI Filter Transient

- 26482
- Matrix 2

- 83723
- III
- Matrix | Pyle

- 26500
- Pyle

- 5015
- Crimp Rear Release Matrix

- 22992
- Class L

- Back-Shells

- Options Others

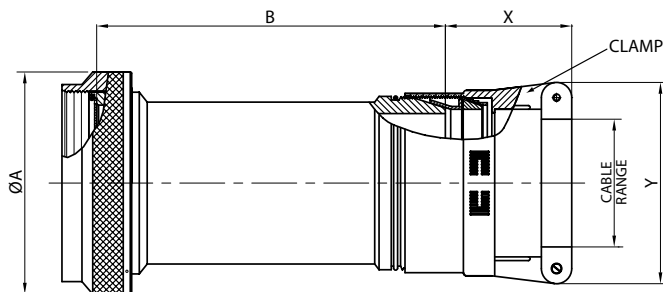
TABLE-A, cont.

| MIL PART NUMBER DESIGNATOR |            |        | CONNECTOR SHELL SIZE/ CODE (REF.) | CABLE RANGE |        |      |       | A DIA. (MAX) |       | L (MAX) |        | Y (MAX) |       |
|----------------------------|------------|--------|-----------------------------------|-------------|--------|------|-------|--------------|-------|---------|--------|---------|-------|
| CONNECTOR SHELL SIZE       | CLAMP SIZE | LENGTH |                                   | MIN         |        | MAX  |       | INCH         | MM    | INCH    | MM     | INCH    | MM    |
|                            |            |        |                                   | INCH        | MM     | INCH | MM    |              |       |         |        |         |       |
| 23                         | 03         | STD.   | 23 / H                            | 0.25        | 6.35   | 0.38 | 9.53  | 1.65         | 41.91 | 1.53    | 38.86  | 1.10    | 27.94 |
|                            |            | A      |                                   |             |        |      |       |              |       | 2.53    | 64.26  |         |       |
|                            |            | B      |                                   |             |        |      |       |              |       | 3.53    | 89.66  |         |       |
|                            |            | C      |                                   |             |        |      |       |              |       | 4.53    | 115.06 |         |       |
|                            | 04         | STD.   |                                   | 0.31        | 7.92   | 0.50 | 12.70 |              |       | 1.53    | 38.86  | 1.20    | 30.48 |
|                            |            | A      |                                   | 2.53        | 64.26  |      |       |              |       |         |        |         |       |
|                            |            | B      |                                   | 3.53        | 89.66  |      |       |              |       |         |        |         |       |
|                            |            | C      |                                   | 4.53        | 115.06 |      |       |              |       |         |        |         |       |
|                            | 05         | STD.   |                                   | 0.44        | 11.10  | 0.63 | 15.88 |              |       | 1.53    | 38.86  | 1.25    | 31.75 |
|                            |            | A      |                                   | 2.53        | 64.26  |      |       |              |       |         |        |         |       |
|                            |            | B      |                                   | 3.53        | 89.66  |      |       |              |       |         |        |         |       |
|                            |            | C      |                                   | 4.53        | 115.06 |      |       |              |       |         |        |         |       |
|                            | 06         | STD.   |                                   | 0.56        | 14.27  | 0.75 | 19.05 |              |       | 1.53    | 38.86  | 1.40    | 35.56 |
|                            |            | A      |                                   | 2.53        | 64.26  |      |       |              |       |         |        |         |       |
|                            |            | B      |                                   | 3.53        | 89.66  |      |       |              |       |         |        |         |       |
|                            |            | C      |                                   | 4.53        | 115.06 |      |       |              |       |         |        |         |       |
|                            | 07         | STD.   |                                   | 0.69        | 17.45  | 0.88 | 22.23 |              |       | 1.53    | 38.86  | 1.50    | 38.10 |
|                            |            | A      |                                   | 2.53        | 64.26  |      |       |              |       |         |        |         |       |
|                            |            | B      |                                   | 3.53        | 89.66  |      |       |              |       |         |        |         |       |
|                            |            | C      |                                   | 4.53        | 115.06 |      |       |              |       |         |        |         |       |
|                            | 08         | STD.   |                                   | 0.81        | 20.62  | 1.00 | 25.40 |              |       | 1.53    | 38.86  | 1.65    | 41.91 |
|                            |            | A      |                                   | 2.53        | 64.26  |      |       |              |       |         |        |         |       |
|                            |            | B      |                                   | 3.53        | 89.66  |      |       |              |       |         |        |         |       |
|                            |            | C      |                                   | 4.53        | 115.06 |      |       |              |       |         |        |         |       |
| 09                         | STD.       | 0.94   | 23.80                             | 1.13        | 28.58  | 1.53 | 38.86 | 1.75         | 44.45 |         |        |         |       |
|                            | A          | 2.53   | 64.26                             |             |        |      |       |              |       |         |        |         |       |
|                            | B          | 3.53   | 89.66                             |             |        |      |       |              |       |         |        |         |       |
|                            | C          | 4.53   | 115.06                            |             |        |      |       |              |       |         |        |         |       |
| 25                         | 04         | STD.   | 25 / J                            | 0.31        | 7.92   | 0.50 | 12.70 | 1.75         | 44.45 | 1.53    | 38.86  | 1.20    | 30.48 |
|                            |            | A      |                                   |             |        |      |       |              |       | 2.53    | 64.26  |         |       |
|                            |            | B      |                                   |             |        |      |       |              |       | 3.53    | 89.66  |         |       |
|                            |            | C      |                                   |             |        |      |       |              |       | 4.53    | 115.06 |         |       |
|                            | 05         | STD.   |                                   | 0.44        | 11.10  | 0.63 | 15.88 |              |       | 1.53    | 38.86  | 1.25    | 31.75 |
|                            |            | A      |                                   | 2.53        | 64.26  |      |       |              |       |         |        |         |       |
|                            |            | B      |                                   | 3.53        | 89.66  |      |       |              |       |         |        |         |       |
|                            |            | C      |                                   | 4.53        | 115.06 |      |       |              |       |         |        |         |       |
|                            | 06         | STD.   |                                   | 0.56        | 14.27  | 0.75 | 19.05 |              |       | 1.53    | 38.86  | 1.40    | 35.56 |
|                            |            | A      |                                   | 2.53        | 64.26  |      |       |              |       |         |        |         |       |
|                            |            | B      |                                   | 3.53        | 89.66  |      |       |              |       |         |        |         |       |
|                            |            | C      |                                   | 4.53        | 115.06 |      |       |              |       |         |        |         |       |
|                            | 07         | STD.   |                                   | 0.69        | 17.45  | 0.88 | 22.23 |              |       | 1.53    | 38.86  | 1.50    | 38.10 |
|                            |            | A      |                                   | 2.53        | 64.26  |      |       |              |       |         |        |         |       |
|                            |            | B      |                                   | 3.53        | 89.66  |      |       |              |       |         |        |         |       |
|                            |            | C      |                                   | 4.53        | 115.06 |      |       |              |       |         |        |         |       |
|                            | 08         | STD.   |                                   | 0.81        | 20.62  | 1.00 | 25.40 |              |       | 1.53    | 38.86  | 1.65    | 41.91 |
|                            |            | A      |                                   | 2.53        | 64.26  |      |       |              |       |         |        |         |       |
|                            |            | B      |                                   | 3.53        | 89.66  |      |       |              |       |         |        |         |       |
|                            |            | C      |                                   | 4.53        | 115.06 |      |       |              |       |         |        |         |       |
|                            | 09         | STD.   |                                   | 0.94        | 23.80  | 1.13 | 28.58 |              |       | 1.53    | 38.86  | 1.75    | 44.45 |
|                            |            | A      |                                   | 2.53        | 64.26  |      |       |              |       |         |        |         |       |
|                            |            | B      |                                   | 3.53        | 89.66  |      |       |              |       |         |        |         |       |
|                            |            | C      |                                   | 4.53        | 115.06 |      |       |              |       |         |        |         |       |
| 10                         | STD.       | 1.06   | 26.97                             | 1.25        | 31.75  | 1.53 | 38.86 | 1.90         | 48.26 |         |        |         |       |
|                            | A          | 2.53   | 64.26                             |             |        |      |       |              |       |         |        |         |       |
|                            | B          | 3.53   | 89.66                             |             |        |      |       |              |       |         |        |         |       |
|                            | C          | 4.53   | 115.06                            |             |        |      |       |              |       |         |        |         |       |

### For Connector Family L

**38999 Series III, IV**

Connector Family "L", includes MIL-DTL-38999 Series III and Series IV



**MIL Part Number**  
**M85049 / 18 11 W 03 A**

MIL Series: M85049 / 18  
 Slash Sheet: 18: Straight, Spin Coupling  
 Shell Size: See Table-A

Length: See Table-A (Omit for "STD")  
 Clamp Size: See Table-A  
 Finish: See Table-2 (pg. 486)

**TABLE - A**

| MIL PART NUMBER DESIGNATOR |            |             | CONNECTOR SHELL SIZE/ CODE (REF.) | CABLE RANGE |        |       |       | A DIA. (MAX) |       | B (MAX) |       | X (MAX) |       | Y (MAX) |       |       |       |       |       |      |       |
|----------------------------|------------|-------------|-----------------------------------|-------------|--------|-------|-------|--------------|-------|---------|-------|---------|-------|---------|-------|-------|-------|-------|-------|------|-------|
| CONNECTOR SHELL SIZE       | CLAMP SIZE | LENGTH CODE |                                   | MIN         |        | MAX   |       | INCH         | MM    | INCH    | MM    | INCH    | MM    | INCH    | MM    |       |       |       |       |      |       |
|                            |            |             |                                   | INCH        | MM     | INCH  | MM    |              |       |         |       |         |       |         |       |       |       |       |       |      |       |
| 9                          | 01         | STD.        | 09 / A                            | 0.06        | 1.57   | 0.13  | 3.18  | 0.75         | 19.05 | 1.53    | 38.86 | 1.25    | 31.75 | 0.80    | 20.32 |       |       |       |       |      |       |
|                            |            | A           |                                   | 2.53        | 64.26  | 1.00  | 25.40 |              |       |         |       |         |       |         |       |       |       |       |       |      |       |
|                            | 02         | STD.        |                                   | 0.13        | 3.18   | 0.25  | 6.35  |              |       | 1.53    | 38.86 |         |       | 1.25    | 31.75 | 1.00  | 25.40 |       |       |      |       |
|                            | A          | 2.53        |                                   | 64.26       | 1.10   | 27.94 |       |              |       |         |       |         |       |         |       |       |       |       |       |      |       |
| 11                         | 01         | STD.        |                                   | 11 / B      | 0.06   | 1.57  | 0.13  | 3.18         | 0.85  | 21.59   | 1.53  | 38.86   | 1.25  | 31.75   | 0.80  | 20.32 |       |       |       |      |       |
|                            |            | A           |                                   |             | 2.53   | 64.26 | 1.00  | 25.40        |       |         |       |         |       |         |       |       |       |       |       |      |       |
|                            | 02         | STD.        |                                   |             | 0.13   | 3.18  | 0.25  | 6.35         |       |         | 1.53  | 38.86   |       |         | 1.25  | 31.75 | 1.00  | 25.40 |       |      |       |
|                            | A          | 2.53        |                                   |             | 64.26  | 1.10  | 27.94 |              |       |         |       |         |       |         |       |       |       |       |       |      |       |
|                            | 03         | STD.        | 0.25                              |             | 6.35   | 0.38  | 9.53  | 1.53         |       |         | 38.86 | 1.25    |       |         | 31.75 | 1.10  | 27.94 |       |       |      |       |
|                            | A          | 2.53        | 64.26                             |             | 1.20   | 30.48 |       |              |       |         |       |         |       |         |       |       |       |       |       |      |       |
| 13                         | 02         | STD.        | 13 / C                            | 0.13        | 3.18   | 0.25  | 6.35  | 1.00         | 25.40 | 1.53    | 38.86 | 1.25    | 31.75 | 1.00    | 25.40 |       |       |       |       |      |       |
|                            |            | A           |                                   | 2.53        | 64.26  | 1.10  | 27.94 |              |       |         |       |         |       |         |       |       |       |       |       |      |       |
|                            | 03         | STD.        |                                   | 0.25        | 6.35   | 0.38  | 9.53  |              |       | 1.53    | 38.86 |         |       | 1.25    | 31.75 | 1.10  | 27.94 |       |       |      |       |
|                            | A          | 2.53        |                                   | 64.26       | 1.20   | 30.48 |       |              |       |         |       |         |       |         |       |       |       |       |       |      |       |
| 15                         | 04         | STD.        | 15 / D                            | 0.38        | 9.53   | 0.50  | 12.70 | 1.15         | 29.21 | 1.53    | 38.86 | 1.25    | 31.75 | 1.20    | 30.48 |       |       |       |       |      |       |
|                            |            | A           |                                   | 2.53        | 64.26  | 1.31  | 33.27 |              |       | 1.25    | 31.75 |         |       | 1.20    | 30.48 |       |       |       |       |      |       |
|                            |            | B           |                                   | 3.53        | 89.66  | 1.31  | 33.27 |              |       | 1.25    | 31.75 |         |       | 1.25    | 31.75 |       |       |       |       |      |       |
|                            | 05         | STD.        |                                   | 0.50        | 12.70  | 0.63  | 15.88 |              |       | 1.53    | 38.86 |         |       | 1.31    | 33.27 | 1.25  | 31.75 | 1.25  | 31.75 |      |       |
|                            |            | A           |                                   | 2.53        | 64.26  | 1.31  | 33.27 |              |       | 1.25    | 31.75 |         |       | 1.25    | 31.75 |       |       |       |       |      |       |
|                            |            | B           |                                   | 3.53        | 89.66  | 1.31  | 33.27 |              |       | 1.25    | 31.75 |         |       | 1.25    | 31.75 |       |       |       |       |      |       |
|                            | 17         | 02          |                                   | STD.        | 17 / E | 0.13  | 3.18  |              |       | 0.25    | 6.35  |         |       | 1.25    | 31.75 | 1.53  | 38.86 | 1.25  | 31.75 | 1.00 | 25.40 |
|                            |            |             |                                   | A           |        | 2.53  | 64.26 |              |       | 1.10    | 27.94 |         |       |         |       |       |       |       |       |      |       |
|                            |            |             |                                   | B           |        | 3.53  | 89.66 |              |       | 1.10    | 27.94 |         |       |         |       |       |       |       |       |      |       |
|                            |            | 03          |                                   | STD.        |        | 0.25  | 6.35  |              |       | 0.38    | 9.53  |         |       |         |       | 1.53  | 38.86 |       |       | 1.25 | 31.75 |
| A                          |            |             | 2.53                              | 64.26       |        | 1.20  | 30.48 |              |       |         |       |         |       |         |       |       |       |       |       |      |       |
| B                          |            |             | 3.53                              | 89.66       |        | 1.20  | 30.48 |              |       |         |       |         |       |         |       |       |       |       |       |      |       |
| 04                         |            | STD.        | 0.38                              | 9.53        |        | 0.50  | 12.70 | 1.53         | 38.86 | 1.25    | 31.75 | 1.20    | 30.48 |         |       | 1.20  | 30.48 |       |       |      |       |
|                            |            | A           | 2.53                              | 64.26       |        | 1.31  | 33.27 | 1.25         | 31.75 | 1.20    | 30.48 |         |       |         |       |       |       |       |       |      |       |
|                            |            | B           | 3.53                              | 89.66       |        | 1.20  | 30.48 |              |       |         |       |         |       |         |       |       |       |       |       |      |       |
| 05                         |            | STD.        | 0.50                              | 12.70       |        | 0.63  | 15.88 | 1.53         | 38.86 | 1.31    | 33.27 | 1.25    | 31.75 |         |       | 1.25  | 31.75 |       |       |      |       |
|                            |            | A           | 2.53                              | 64.26       |        | 1.31  | 33.27 | 1.25         | 31.75 | 1.25    | 31.75 |         |       |         |       |       |       |       |       |      |       |
|                            |            | B           | 3.53                              | 89.66       |        | 1.25  | 31.75 |              |       |         |       |         |       |         |       |       |       |       |       |      |       |
| 06                         | STD.       | 0.63        | 15.88                             | 0.75        | 19.05  | 1.53  | 38.86 | 1.38         | 35.05 | 1.40    | 35.56 | 1.40    | 35.56 |         |       |       |       |       |       |      |       |
|                            | A          | 2.53        | 64.26                             | 1.38        | 35.05  | 1.40  | 35.56 |              |       |         |       |         |       |         |       |       |       |       |       |      |       |
|                            | B          | 3.53        | 89.66                             | 1.40        | 35.56  |       |       |              |       |         |       |         |       |         |       |       |       |       |       |      |       |

Note: For more cable entry and length options, email: sales@backshellworld.com  
 All dimensions for reference only.

TABLE CONTINUES ON NEXT PAGE

- 38999
- III
- HD
- Dualok
- II
- I
- SJT
- Accessories
- Aquacon
- Herm/Seal
- PCB

- Fiber Optics
- High Speed
- Contacts

- EMI Filter
- Transient

- Matrix 2
- 26482

- Matrix 1 Pyle
- III
- 83723

- Pyle
- 26500

- Crimp Rear Release Matrix
- 5015

- Class 1
- 22992

- Back-Shell

- Options
- Others



### For Connector Family L

**38999 Series III, IV**

Connector Family "L", includes MIL-DTL-38999 Series III and Series IV

38999

- III
- HD
- Dualok
- II
- I
- SJT
- Accessories
- Aquacon
- Herm/Seal
- PCB

- High Speed
- Fiber Optics
- Contacts

- EMI Filter Transient

- 26482 Matrix 2

- 83723 III Matrix | Pyle

- 26500 Pyle

- 5015 Crimp Rear Release Matrix

- 22992 Class L

- Back-Shells

- Options Others

TABLE - A, cont.

| MIL PART NUMBER DESIGNATOR |            |             | CONNECTOR SHELL SIZE/ CODE (REF.) | CABLE RANGE |       |      |       | A DIA. (MAX) |       | B (MAX) |       | X (MAX) |       | Y (MAX) |       |      |       |
|----------------------------|------------|-------------|-----------------------------------|-------------|-------|------|-------|--------------|-------|---------|-------|---------|-------|---------|-------|------|-------|
| CONNECTOR SHELL SIZE       | CLAMP SIZE | LENGTH CODE |                                   | MIN         |       | MAX  |       | INCH         | MM    | INCH    | MM    | INCH    | MM    | INCH    | MM    |      |       |
|                            |            |             |                                   | INCH        | MM    | INCH | MM    |              |       |         |       |         |       |         |       |      |       |
| 19                         | 03         | STD.        | 19 / F                            | 0.25        | 6.35  | 0.38 | 9.53  | 1.40         | 35.56 | 1.53    | 38.86 | 1.25    | 31.75 | 1.10    | 27.94 |      |       |
|                            |            | A           |                                   |             |       |      |       |              |       | 2.53    | 64.26 |         |       |         |       |      |       |
|                            |            | B           |                                   |             |       |      |       |              |       | 3.53    | 89.66 |         |       |         |       |      |       |
|                            | 04         | STD.        |                                   | 0.38        | 9.53  | 0.50 | 12.70 |              |       | 1.53    | 38.86 | 1.25    | 31.75 | 1.20    | 30.48 |      |       |
|                            |            | A           |                                   |             |       |      |       |              |       |         |       |         |       |         |       | 2.53 | 64.26 |
|                            |            | B           |                                   |             |       |      |       |              |       |         |       |         |       |         |       | 3.53 | 89.66 |
|                            | 05         | STD.        |                                   | 0.50        | 12.70 | 0.63 | 15.88 |              |       | 1.53    | 38.86 | 1.31    | 33.27 | 1.25    | 31.75 |      |       |
|                            |            | A           |                                   |             |       |      |       |              |       |         |       |         |       |         |       | 2.53 | 64.26 |
|                            |            | B           |                                   |             |       |      |       |              |       |         |       |         |       |         |       | 3.53 | 89.66 |
|                            | 06         | STD.        |                                   | 0.63        | 15.88 | 0.75 | 19.05 |              |       | 1.53    | 38.86 | 1.38    | 35.05 | 1.40    | 35.56 |      |       |
|                            |            | A           |                                   |             |       |      |       |              |       |         |       |         |       |         |       | 2.53 | 64.26 |
|                            |            | B           |                                   |             |       |      |       |              |       |         |       |         |       |         |       | 3.53 | 89.66 |
| 07                         | STD.       | 0.75        | 19.05                             | 0.88        | 22.23 | 1.53 | 38.86 | 1.50         | 38.10 | 1.50    | 38.10 |         |       |         |       |      |       |
|                            | A          |             |                                   |             |       |      |       |              |       |         |       | 2.53    | 64.26 |         |       |      |       |
|                            | B          |             |                                   |             |       |      |       |              |       |         |       | 3.53    | 89.66 |         |       |      |       |
| 21                         | 03         | STD.        | 21 / G                            | 0.25        | 6.35  | 0.38 | 9.53  | 1.55         | 39.37 | 1.53    | 38.86 | 1.25    | 31.75 | 1.10    | 27.94 |      |       |
|                            |            | A           |                                   |             |       |      |       |              |       | 2.53    | 64.26 |         |       |         |       |      |       |
|                            |            | B           |                                   |             |       |      |       |              |       | 3.53    | 89.66 |         |       |         |       |      |       |
|                            | 04         | STD.        |                                   | 0.38        | 9.53  | 0.50 | 12.70 |              |       | 1.53    | 38.86 | 1.25    | 31.75 | 1.20    | 30.48 |      |       |
|                            |            | A           |                                   |             |       |      |       |              |       |         |       |         |       |         |       | 2.53 | 64.26 |
|                            |            | B           |                                   |             |       |      |       |              |       |         |       |         |       |         |       | 3.53 | 89.66 |
|                            | 05         | STD.        |                                   | 0.50        | 12.70 | 0.63 | 15.88 |              |       | 1.53    | 38.86 | 1.31    | 33.27 | 1.25    | 31.75 |      |       |
|                            |            | A           |                                   |             |       |      |       |              |       |         |       |         |       |         |       | 2.53 | 64.26 |
|                            |            | B           |                                   |             |       |      |       |              |       |         |       |         |       |         |       | 3.53 | 89.66 |
|                            | 06         | STD.        |                                   | 0.63        | 15.88 | 0.75 | 19.05 |              |       | 1.53    | 38.86 | 1.38    | 35.05 | 1.40    | 35.56 |      |       |
|                            |            | A           |                                   |             |       |      |       |              |       |         |       |         |       |         |       | 2.53 | 64.26 |
|                            |            | B           |                                   |             |       |      |       |              |       |         |       |         |       |         |       | 3.53 | 89.66 |
| 07                         | STD.       | 0.75        | 19.05                             | 0.88        | 22.23 | 1.53 | 38.86 | 1.50         | 38.10 | 1.50    | 38.10 |         |       |         |       |      |       |
|                            | A          |             |                                   |             |       |      |       |              |       |         |       | 2.53    | 64.26 |         |       |      |       |
|                            | B          |             |                                   |             |       |      |       |              |       |         |       | 3.53    | 89.66 |         |       |      |       |
| 08                         | STD.       | 0.88        | 22.23                             | 1.00        | 25.40 | 1.53 | 38.86 | 1.63         | 41.40 | 1.65    | 41.91 |         |       |         |       |      |       |
|                            | A          |             |                                   |             |       |      |       |              |       |         |       | 2.53    | 64.26 |         |       |      |       |
|                            | B          |             |                                   |             |       |      |       |              |       |         |       | 3.53    | 89.66 |         |       |      |       |
| 23                         | 03         | STD.        | 23 / H                            | 0.25        | 6.35  | 0.38 | 9.53  | 1.65         | 41.91 | 1.53    | 38.86 | 1.25    | 31.75 | 1.10    | 27.94 |      |       |
|                            |            | A           |                                   |             |       |      |       |              |       | 2.53    | 64.26 |         |       |         |       |      |       |
|                            |            | B           |                                   |             |       |      |       |              |       | 3.53    | 89.66 |         |       |         |       |      |       |
|                            | 04         | STD.        |                                   | 0.38        | 9.53  | 0.50 | 12.70 |              |       | 1.53    | 38.86 | 1.25    | 31.75 | 1.20    | 30.48 |      |       |
|                            |            | A           |                                   |             |       |      |       |              |       |         |       |         |       |         |       | 2.53 | 64.26 |
|                            |            | B           |                                   |             |       |      |       |              |       |         |       |         |       |         |       | 3.53 | 89.66 |
|                            | 05         | STD.        |                                   | 0.50        | 12.70 | 0.63 | 15.88 |              |       | 1.53    | 38.86 | 1.31    | 33.27 | 1.25    | 31.75 |      |       |
|                            |            | A           |                                   |             |       |      |       |              |       |         |       |         |       |         |       | 2.53 | 64.26 |
|                            |            | B           |                                   |             |       |      |       |              |       |         |       |         |       |         |       | 3.53 | 89.66 |
|                            | 06         | STD.        |                                   | 0.63        | 15.88 | 0.75 | 19.05 |              |       | 1.53    | 38.86 | 1.38    | 35.05 | 1.40    | 35.56 |      |       |
|                            |            | A           |                                   |             |       |      |       |              |       |         |       |         |       |         |       | 2.53 | 64.26 |
|                            |            | B           |                                   |             |       |      |       |              |       |         |       |         |       |         |       | 3.53 | 89.66 |

Note: For more cable entry and length options, email: [sales@backshellworld.com](mailto:sales@backshellworld.com)  
All dimensions for reference only.

TABLE CONTINUES ON NEXT PAGE

### For Connector Family L

**38999 Series III, IV**

Connector Family "L", includes MIL-DTL-38999 Series III and Series IV

TABLE – A, cont.

| MIL PART NUMBER DESIGNATOR |            |             | CONNECTOR SHELL SIZE/ CODE (REF.) | CABLE RANGE |       |      |       | A DIA. (MAX) |       | B (MAX) |        | X (MAX) |       | Y (MAX) |        |      |       |      |       |
|----------------------------|------------|-------------|-----------------------------------|-------------|-------|------|-------|--------------|-------|---------|--------|---------|-------|---------|--------|------|-------|------|-------|
| CONNECTOR SHELL SIZE       | CLAMP SIZE | LENGTH CODE |                                   | MIN         |       | MAX  |       | INCH         | MM    | INCH    | MM     | INCH    | MM    | INCH    | MM     |      |       |      |       |
|                            |            |             |                                   | INCH        | MM    | INCH | MM    |              |       |         |        |         |       |         |        |      |       |      |       |
| 23, cont.                  | 07         | STD.        | 23 / H                            | 0.75        | 19.05 | 0.88 | 22.23 | 1.65         | 41.91 | 1.53    | 38.86  | 1.50    | 38.10 | 1.50    | 38.10  |      |       |      |       |
|                            |            | A           |                                   |             |       |      |       |              |       | 2.53    | 64.26  |         |       |         |        |      |       |      |       |
|                            |            | B           |                                   |             |       |      |       |              |       | 3.53    | 89.66  |         |       |         |        |      |       |      |       |
|                            |            | C           |                                   |             |       |      |       |              |       | 4.53    | 115.06 |         |       |         |        |      |       |      |       |
|                            | 08         | STD.        |                                   | 0.88        | 22.23 | 1.00 | 25.40 |              |       | 1.63    | 41.40  | 1.65    | 42.91 | 1.53    | 38.86  | 1.63 | 41.40 | 1.65 | 42.91 |
|                            |            | A           |                                   |             |       |      |       |              |       |         |        |         |       | 2.53    | 64.26  |      |       |      |       |
|                            |            | B           |                                   |             |       |      |       |              |       |         |        |         |       | 3.53    | 89.66  |      |       |      |       |
|                            |            | C           |                                   |             |       |      |       |              |       |         |        |         |       | 4.53    | 115.06 |      |       |      |       |
|                            | 09         | STD.        |                                   | 1.00        | 25.40 | 1.13 | 28.58 |              |       | 1.63    | 41.40  | 1.75    | 44.45 | 1.53    | 38.86  | 1.63 | 41.40 | 1.75 | 44.45 |
|                            |            | A           |                                   |             |       |      |       |              |       |         |        |         |       | 2.53    | 64.26  |      |       |      |       |
|                            |            | B           |                                   |             |       |      |       |              |       |         |        |         |       | 3.53    | 89.66  |      |       |      |       |
|                            |            | C           |                                   |             |       |      |       |              |       |         |        |         |       | 4.53    | 115.06 |      |       |      |       |
| 25                         | 04         | STD.        | 25 / J                            | 0.38        | 9.53  | 0.50 | 12.70 | 1.85         | 46.99 | 1.53    | 38.86  | 1.25    | 31.75 | 1.20    | 30.48  |      |       |      |       |
|                            |            | A           |                                   |             |       |      |       |              |       | 2.53    | 64.26  |         |       |         |        |      |       |      |       |
|                            |            | B           |                                   |             |       |      |       |              |       | 3.53    | 89.66  |         |       |         |        |      |       |      |       |
|                            |            | C           |                                   |             |       |      |       |              |       | 4.53    | 115.06 |         |       |         |        |      |       |      |       |
|                            | 05         | STD.        |                                   | 0.50        | 12.70 | 0.63 | 15.88 |              |       | 1.31    | 33.27  | 1.25    | 31.75 | 1.53    | 38.86  | 1.31 | 33.27 | 1.25 | 31.75 |
|                            |            | A           |                                   |             |       |      |       |              |       |         |        |         |       | 2.53    | 64.26  |      |       |      |       |
|                            |            | B           |                                   |             |       |      |       |              |       |         |        |         |       | 3.53    | 89.66  |      |       |      |       |
|                            |            | C           |                                   |             |       |      |       |              |       |         |        |         |       | 4.53    | 115.06 |      |       |      |       |
|                            | 06         | STD.        |                                   | 0.63        | 15.88 | 0.75 | 19.05 |              |       | 1.38    | 35.05  | 1.40    | 35.56 | 1.53    | 38.86  | 1.38 | 35.05 | 1.40 | 35.56 |
|                            |            | A           |                                   |             |       |      |       |              |       |         |        |         |       | 2.53    | 64.26  |      |       |      |       |
|                            |            | B           |                                   |             |       |      |       |              |       |         |        |         |       | 3.53    | 89.66  |      |       |      |       |
|                            |            | C           |                                   |             |       |      |       |              |       |         |        |         |       | 4.53    | 115.06 |      |       |      |       |
|                            | 07         | STD.        |                                   | 0.75        | 19.05 | 0.88 | 22.23 |              |       | 1.50    | 38.10  | 1.50    | 38.10 | 1.53    | 38.86  | 1.50 | 38.10 | 1.50 | 38.10 |
|                            |            | A           |                                   |             |       |      |       |              |       |         |        |         |       | 2.53    | 64.26  |      |       |      |       |
|                            |            | B           |                                   |             |       |      |       |              |       |         |        |         |       | 3.53    | 89.66  |      |       |      |       |
|                            |            | C           |                                   |             |       |      |       |              |       |         |        |         |       | 4.53    | 115.06 |      |       |      |       |
|                            | 08         | STD.        |                                   | 0.88        | 22.23 | 1.00 | 25.40 |              |       | 1.63    | 41.40  | 1.65    | 41.91 | 1.53    | 38.86  | 1.63 | 41.40 | 1.65 | 41.91 |
|                            |            | A           |                                   |             |       |      |       |              |       |         |        |         |       | 2.53    | 64.26  |      |       |      |       |
|                            |            | B           |                                   |             |       |      |       |              |       |         |        |         |       | 3.53    | 89.66  |      |       |      |       |
|                            |            | C           |                                   |             |       |      |       |              |       |         |        |         |       | 4.53    | 115.06 |      |       |      |       |
|                            | 09         | STD.        |                                   | 1.00        | 25.40 | 1.13 | 28.58 |              |       | 1.63    | 41.40  | 1.75    | 44.45 | 1.53    | 38.86  | 1.63 | 41.40 | 1.75 | 44.45 |
|                            |            | A           |                                   |             |       |      |       |              |       |         |        |         |       | 2.53    | 64.26  |      |       |      |       |
|                            |            | B           |                                   |             |       |      |       |              |       |         |        |         |       | 3.53    | 89.66  |      |       |      |       |
|                            |            | C           |                                   |             |       |      |       |              |       |         |        |         |       | 4.53    | 115.06 |      |       |      |       |
| 10                         | STD.       | 1.13        | 28.58                             | 1.25        | 31.75 | 1.63 | 41.40 | 1.90         | 48.26 | 1.53    | 38.86  | 1.63    | 41.40 | 1.90    | 48.26  |      |       |      |       |
|                            | A          |             |                                   |             |       |      |       |              |       | 2.53    | 64.26  |         |       |         |        |      |       |      |       |
|                            | B          |             |                                   |             |       |      |       |              |       | 3.53    | 89.66  |         |       |         |        |      |       |      |       |
|                            | C          |             |                                   |             |       |      |       |              |       | 4.53    | 115.06 |         |       |         |        |      |       |      |       |

Note: For more cable entry and length options, email: sales@backshellworld.com  
All dimensions for reference only.

38999

- III
- HD
- Dualok
- II
- I
- SJT
- Accessories
- Aquacon
- Herm/Seal
- PCB

- Fiber Optics
- High Speed
- Contacts

- EMI Filter
- Transient

- Matrix 2
- 26482

- Matrix | Pyle
- III
- 83723

- Pyle
- 26500

- Crimp Rear Release Matrix
- 5015

- Class I
- 22992

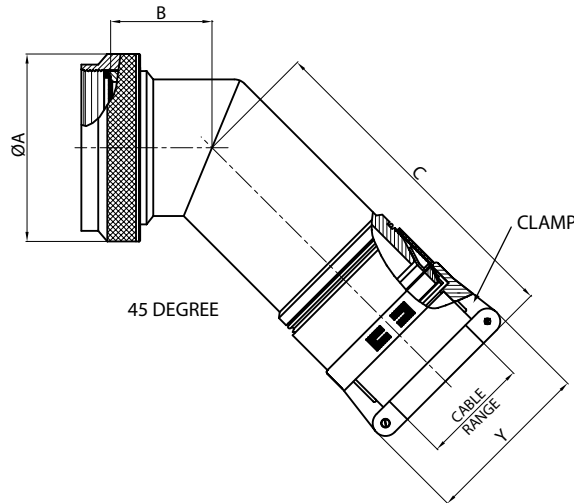
- Back-Shell

- Options
- Others

### For Connector Family L

**38999 Series III, IV**

Connector Family "L", includes MIL-DTL-38999 Series III and Series IV



**MIL Part Number**

**M85049 / 79 11 W 03**

MIL Series: M85049 / 79  
 Slash Sheet: 11 (79: 90°, Spin Coupling; 78: 45°, Spin Coupling)  
 Shell Size: W (See Table-B)  
 Clamp Size: 03 (See Table-B)

- 38999
- III
- HD
- Dualok
- II
- I
- SJT
- Accessories
- Aquacon
- Herm/Seal
- PCB
- High Speed
- Fiber Optics
- Contacts
- EMI Filter Transient
- 26482
- Matrix 2
- 83723
- III
- Matrix | Pyle
- 26500
- Pyle
- 5015
- Crimp Rear Release Matrix
- 22992
- Class L
- Back-Shells
- Options Others

**TABLE - B**

| MIL PART NUMBER DESIGNATOR |            | CONNECTOR SHELL SIZE/ CODE (REF.) | CABLE RANGE |       |      |       | A DIA. (MAX) |       | B (MAX) |       | C (MAX) |       | D (MAX) |       | E (MAX) |       | Y (MAX) |       |
|----------------------------|------------|-----------------------------------|-------------|-------|------|-------|--------------|-------|---------|-------|---------|-------|---------|-------|---------|-------|---------|-------|
| CONNECTOR SHELL SIZE       | CLAMP SIZE |                                   | MIN         |       | MAX  |       | INCH         | MM    | INCH    | MM    | INCH    | MM    | INCH    | MM    | INCH    | MM    | INCH    | MM    |
|                            |            |                                   | INCH        | MM    | INCH | MM    |              |       |         |       |         |       |         |       |         |       |         |       |
| 9                          | 01         | 09 / A                            | 0.06        | 1.57  | 0.13 | 3.18  | 0.75         | 19.05 | 0.46    | 11.68 | 3.15    | 80.01 | 0.69    | 17.53 | 3.46    | 87.88 | 0.80    | 20.32 |
|                            | 02         |                                   | 0.13        | 3.18  | 0.25 | 6.35  |              |       |         |       |         |       |         |       |         |       | 1.00    | 25.40 |
| 11                         | 01         | 11 / B                            | 0.06        | 1.57  | 0.13 | 3.18  | 0.85         | 21.59 | 0.52    | 13.21 | 3.21    | 81.53 | 0.78    | 19.81 | 3.58    | 90.93 | 0.80    | 20.32 |
|                            | 02         |                                   | 0.13        | 3.18  | 0.25 | 6.35  |              |       |         |       |         |       |         |       |         |       | 1.00    | 25.40 |
|                            | 03         |                                   | 0.25        | 6.35  | 0.38 | 9.53  |              |       |         |       |         |       |         |       |         |       | 1.10    | 27.94 |
| 13                         | 02         | 13 / C                            | 0.13        | 3.18  | 0.25 | 6.35  | 1.00         | 25.40 | 0.58    | 14.73 | 3.27    | 83.06 | 0.80    | 20.32 | 3.60    | 91.44 | 1.00    | 25.40 |
|                            | 03         |                                   | 0.25        | 6.35  | 0.38 | 9.53  |              |       |         |       |         |       |         |       |         |       | 1.10    | 27.94 |
|                            | 04         |                                   | 0.38        | 9.53  | 0.50 | 12.70 |              |       |         |       |         |       |         |       |         |       | 1.20    | 30.48 |
| 15                         | 02         | 15 / D                            | 0.13        | 3.18  | 0.25 | 6.35  | 1.15         | 29.21 | 0.65    | 16.51 | 3.36    | 85.34 | 0.88    | 22.35 | 3.67    | 93.22 | 1.00    | 25.40 |
|                            | 03         |                                   | 0.25        | 6.35  | 0.38 | 9.53  |              |       |         |       |         |       |         |       |         |       | 1.10    | 27.94 |
|                            | 04         |                                   | 0.38        | 9.53  | 0.50 | 12.70 |              |       |         |       |         |       |         |       |         |       | 1.20    | 30.48 |
|                            | 05         |                                   | 0.50        | 12.70 | 0.63 | 15.88 |              |       |         |       |         |       |         |       |         |       | 1.25    | 31.75 |
| 17                         | 02         | 17 / E                            | 0.13        | 3.18  | 0.25 | 6.35  | 1.25         | 31.75 | 0.74    | 18.80 | 3.47    | 88.14 | 0.93    | 23.62 | 3.76    | 95.50 | 1.00    | 25.40 |
|                            | 03         |                                   | 0.25        | 6.35  | 0.38 | 9.53  |              |       |         |       |         |       |         |       |         |       | 1.10    | 27.94 |
|                            | 04         |                                   | 0.38        | 9.53  | 0.50 | 12.70 |              |       |         |       |         |       |         |       |         |       | 1.20    | 30.48 |
|                            | 05         |                                   | 0.50        | 12.70 | 0.63 | 15.88 |              |       |         |       |         |       |         |       |         |       | 1.25    | 31.75 |
|                            | 06         |                                   | 0.63        | 15.88 | 0.75 | 19.05 |              |       |         |       |         |       |         |       |         |       | 1.40    | 35.56 |

Note: For more cable entry and length options, email: [sales@backshellworld.com](mailto:sales@backshellworld.com)  
 All dimensions for reference only.

TABLE CONTINUES ON NEXT PAGE

### For Connector Family L

**38999 Series III, IV**

Connector Family "L", includes MIL-DTL-38999 Series III and Series IV

TABLE - B, cont.

| MIL PART NUMBER DESIGNATOR |            | CONNECTOR SHELL SIZE/ CODE (REF.) | CABLE RANGE |       |       |       | A DIA. (MAX) |       | B (MAX) |       | C (MAX) |       | D (MAX) |       | E (MAX) |        | Y (MAX) |       |
|----------------------------|------------|-----------------------------------|-------------|-------|-------|-------|--------------|-------|---------|-------|---------|-------|---------|-------|---------|--------|---------|-------|
| CONNECTOR SHELL SIZE       | CLAMP SIZE |                                   | MIN         |       | MAX   |       | INCH         | MM    | INCH    | MM    | INCH    | MM    | INCH    | MM    | INCH    | MM     | INCH    | MM    |
|                            |            |                                   | INCH        | MM    | INCH  | MM    |              |       |         |       |         |       |         |       |         |        |         |       |
| 19                         | 03         | 19 / F                            | 0.25        | 6.35  | 0.38  | 9.53  | 1.40         | 35.56 | 0.93    | 23.62 | 3.66    | 92.96 | 1.01    | 25.65 | 3.93    | 99.82  | 1.10    | 27.94 |
|                            | 04         |                                   | 0.38        | 9.53  | 0.50  | 12.70 |              |       |         |       |         |       |         |       |         |        | 1.20    | 30.48 |
|                            | 05         |                                   | 0.50        | 12.70 | 0.63  | 15.88 |              |       |         |       |         |       |         |       |         |        | 1.25    | 31.75 |
|                            | 06         |                                   | 0.63        | 15.88 | 0.75  | 19.05 |              |       |         |       |         |       |         |       |         |        | 1.40    | 35.56 |
|                            | 07         |                                   | 0.75        | 19.05 | 0.88  | 22.23 |              |       |         |       |         |       |         |       |         |        | 1.50    | 38.10 |
| 21                         | 03         | 21 / G                            | 0.25        | 6.35  | 0.38  | 9.53  | 1.55         | 39.37 | 0.93    | 23.62 | 3.66    | 92.96 | 1.06    | 26.92 | 3.93    | 99.82  | 1.10    | 27.94 |
|                            | 04         |                                   | 0.38        | 9.53  | 0.50  | 12.70 |              |       |         |       |         |       |         |       |         |        | 1.20    | 30.48 |
|                            | 05         |                                   | 0.50        | 12.70 | 0.63  | 15.88 |              |       |         |       |         |       |         |       |         |        | 1.25    | 31.75 |
|                            | 06         |                                   | 0.63        | 15.88 | 0.75  | 19.05 |              |       |         |       |         |       |         |       |         |        | 1.40    | 35.56 |
|                            | 07         |                                   | 0.75        | 19.05 | 0.88  | 22.23 |              |       |         |       |         |       |         |       |         |        | 1.50    | 38.10 |
| 23                         | 03         | 23 / H                            | 0.25        | 6.35  | 0.38  | 9.53  | 1.65         | 41.91 | 1.02    | 25.91 | 3.81    | 96.77 | 1.17    | 29.72 | 4.04    | 102.62 | 1.10    | 27.94 |
|                            | 04         |                                   | 0.38        | 9.53  | 0.50  | 12.70 |              |       |         |       |         |       |         |       |         |        | 1.20    | 30.48 |
|                            | 05         |                                   | 0.50        | 12.70 | 0.63  | 15.88 |              |       |         |       |         |       |         |       |         |        | 1.25    | 31.75 |
|                            | 06         |                                   | 0.63        | 15.88 | 0.75  | 19.05 |              |       |         |       |         |       |         |       |         |        | 1.40    | 35.56 |
|                            | 07         |                                   | 0.75        | 19.05 | 0.88  | 22.23 |              |       |         |       |         |       |         |       |         |        | 1.50    | 38.10 |
| 25                         | 04         | 25 / J                            | 0.38        | 9.53  | 0.50  | 12.70 | 1.85         | 46.99 | 1.02    | 25.91 | 3.81    | 96.77 | 1.18    | 29.97 | 4.04    | 102.62 | 1.20    | 30.48 |
|                            | 05         |                                   | 0.50        | 12.70 | 0.63  | 15.88 |              |       |         |       |         |       |         |       |         |        | 1.25    | 31.75 |
|                            | 06         |                                   | 0.63        | 15.88 | 0.75  | 19.05 |              |       |         |       |         |       |         |       |         |        | 1.40    | 35.56 |
|                            | 07         |                                   | 0.75        | 19.05 | 0.88  | 22.23 |              |       |         |       |         |       |         |       |         |        | 1.50    | 38.10 |
|                            | 08         |                                   | 0.88        | 22.23 | 1.00  | 25.40 |              |       |         |       |         |       |         |       |         |        | 1.65    | 41.91 |
|                            | 09         | 1.00                              | 25.40       | 1.13  | 28.58 | 1.75  | 44.45        |       |         |       |         |       |         |       |         |        |         |       |
|                            | 10         | 1.13                              | 28.58       | 1.25  | 31.75 | 1.90  | 48.26        |       |         |       |         |       |         |       |         |        |         |       |

Note: For more cable entry and length options, email: [sales@backshellworld.com](mailto:sales@backshellworld.com)  
All dimensions for reference only.

38999

III

HD

Dualok

II

I

SJT

Accessories

Aquacon

Herm/Seal

PCB

Fiber Optics

High Speed

Contacts

EMI Filter

Transient

Matrix 2

26482

Matrix 1 Pyle

83723

III

Pyle

26500

5015

Crimp Rear Release Matrix

22992

Class 1

Backshells

Options

Others

### For Connector Family L

**38999 Series III, IV**

Connector Family "L", includes MIL-DTL-38999 Series III and Series IV



#### MIL Part Number



| TABLE-A                    |                                   |              |       |              |       |              |       |
|----------------------------|-----------------------------------|--------------|-------|--------------|-------|--------------|-------|
| MIL PART NUMBER DESIGNATOR | CONNECTOR SHELL SIZE/ CODE (REF.) | A DIA. (MAX) |       | B DIA. (MIN) |       | C DIA. (MAX) |       |
|                            |                                   | INCH         | MM    | INCH         | MM    | INCH         | MM    |
| 9                          | 09 / A                            | 0.75         | 19.05 | 0.25         | 6.35  | 0.53         | 13.54 |
| 11                         | 11 / B                            | 0.85         | 21.59 | 0.38         | 9.53  | 0.61         | 15.37 |
| 13                         | 13 / C                            | 1.00         | 25.40 | 0.50         | 12.70 | 0.77         | 19.66 |
| 15                         | 15 / D                            | 1.15         | 29.21 | 0.63         | 15.88 | 0.84         | 21.29 |
| 17                         | 17 / E                            | 1.25         | 31.75 | 0.75         | 19.05 | 0.94         | 23.77 |
| 19                         | 19 / F                            | 1.40         | 35.56 | 0.81         | 20.62 | 1.04         | 26.47 |
| 21                         | 21 / G                            | 1.55         | 39.37 | 0.94         | 23.80 | 1.22         | 30.91 |
| 23                         | 23 / H                            | 1.65         | 41.91 | 1.06         | 26.97 | 1.36         | 34.42 |
| 25                         | 25 / J                            | 1.85         | 46.99 | 1.19         | 30.18 | 1.44         | 36.65 |

Note: For more cable entry and length options, email: [sales@backshellworld.com](mailto:sales@backshellworld.com)  
All dimensions for reference only.

38999

- III
- HD
- Dualok
- II
- I
- SJT
- Accessories
- Aquacon
- Herm/Seal
- PCB

High Speed  
Fiber Optics  
Contacts

EMI Filter  
Transient

26482  
Matrix 2

83723  
III  
Matrix | Pyle

26500  
Pyle

5015  
Crimp Rear Release  
Matrix

22992  
Class L

Back-Shells

Options  
Others

## Crimp Ring Adapter Straight, Spin Coupling without Ring

### For Connector Family L

**38999 Series III, IV**

Connector Family "L", includes MIL-DTL-38999 Series III and Series IV



Refer to page 544 for ordering details of Ring.

TABLE – A

| MIL PART NUMBER DESIGNATOR | CONNECTOR SHELL SIZE/ CODE (REF.) | A DIA.(MAX) |       | B DIA.(MAX) |       | C DIA.(MAX) |       |
|----------------------------|-----------------------------------|-------------|-------|-------------|-------|-------------|-------|
|                            |                                   | INCH        | MM    | INCH        | MM    | INCH        | MM    |
| 9                          | 9 / A                             | 0.75        | 19.05 | 0.27        | 6.73  | 0.35        | 8.81  |
| 11                         | 11 / B                            | 0.85        | 21.59 | 0.34        | 8.71  | 0.50        | 12.65 |
| 13                         | 13 / C                            | 1.00        | 25.40 | 0.44        | 11.10 | 0.51        | 12.95 |
| 15                         | 15 / D                            | 1.10        | 27.94 | 0.56        | 14.27 | 0.63        | 16.00 |
| 17                         | 17 / E                            | 1.25        | 31.75 | 0.69        | 17.45 | 0.76        | 19.30 |
| 19                         | 19 / F                            | 1.40        | 35.56 | 0.81        | 20.62 | 0.89        | 22.61 |
| 21                         | 21 / G                            | 1.50        | 38.10 | 0.94        | 23.80 | 1.01        | 25.65 |
| 23                         | 23 / H                            | 1.65        | 41.91 | 1.05        | 26.57 | 1.13        | 28.70 |
| 25                         | 25 / J                            | 1.75        | 44.45 | 1.13        | 28.58 | 1.20        | 30.53 |

Note: For more cable entry and length options, email: sales@backshellworld.com  
All dimensions for reference only.

38999

III

HD

Dualok

II

I

SJT

Accessories

Aquacon

Herm/Seal

PCB

Fiber

Optics

Contacts

High Speed

EMC Filter

Transient

Matrix 2

26482

Matrix Pyle

III

83723

Pyle

26500

5015

Crimp Rear Release Matrix

Class 1

22992

Back-

Shells

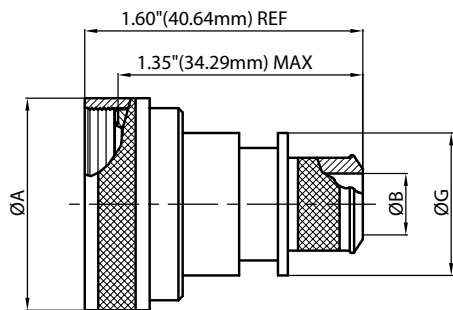
Options

Others

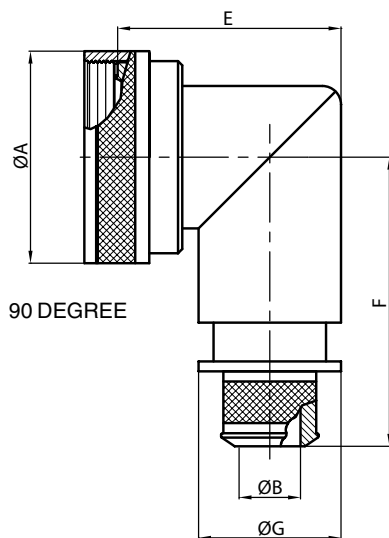
### For Connector Family L

**38999 Series III, IV**

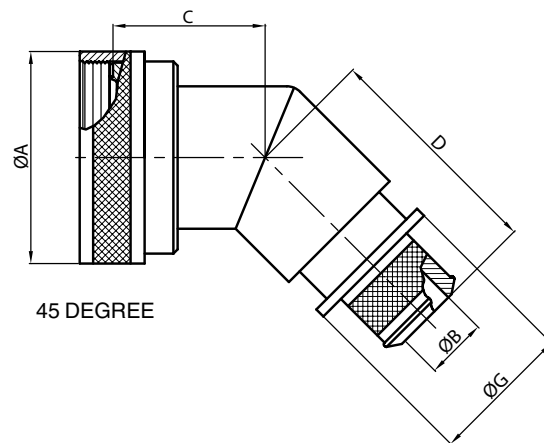
Connector Family "L", includes MIL-DTL-38999 Series III and Series IV



STRAIGHT



90 DEGREE



45 DEGREE

#### MIL Part Number

**M85049 / 88 -11 W 03**

MIL Series: **M85049 / 88**  
 Slash Sheet: **-11 W 03**  
 Entry Size: See Table-A  
 Finish: See Table-2 (pg. 486)  
 Shell Size: See Table-A

TABLE-A

| MIL PART NUMBER DESIGNATOR |            | CONNECTOR SHELL SIZE/ CODE (REF.) | A DIA. (MAX) |       | B DIA. (MAX) |       | C (MAX) |       | D (MAX) |       | E (MAX) |       | F (MAX.) |       | G MAX |       |
|----------------------------|------------|-----------------------------------|--------------|-------|--------------|-------|---------|-------|---------|-------|---------|-------|----------|-------|-------|-------|
| CONNECTOR SHELL SIZE       | ENTRY SIZE |                                   | INCH         | MM    | +0.00        | +0.00 | INCH    | MM    | INCH    | MM    | INCH    | MM    | INCH     | MM    | INCH  | MM    |
|                            |            |                                   |              |       | -0.02        | -0.50 |         |       |         |       |         |       |          |       |       |       |
| 9                          | 02         | 09 / A                            | 0.86         | 21.82 | N/A          | N/A   | 1.01    | 25.65 | 1.16    | 29.46 | 1.38    | 34.93 | 1.42     | 35.99 | N/A   | N/A   |
|                            | 03         |                                   |              |       | 0.26         | 6.60  |         |       |         |       |         |       |          |       | 0.56  | 14.22 |
| 11                         | 02         | 11 / B                            | 0.99         | 25.04 | N/A          | N/A   | 1.03    | 26.16 | 1.19    | 30.23 | 1.44    | 36.50 | 1.48     | 37.59 | N/A   | N/A   |
|                            | 03         |                                   |              |       | 0.32         | 8.13  |         |       |         |       |         |       |          |       | 0.63  | 16.00 |
| 13                         | 02         | 13 / C                            | 1.16         | 29.36 | 0.32         | 8.13  | 1.06    | 26.92 | 1.21    | 30.73 | 1.56    | 39.67 | 1.55     | 39.45 | 0.63  | 16.00 |
|                            | 03         |                                   |              |       | 0.45         | 11.43 |         |       |         |       |         |       |          |       | 0.75  | 19.05 |
| 15                         | 02         | 15 / D                            | 1.28         | 32.54 | 0.45         | 11.43 | 1.08    | 27.43 | 1.24    | 31.50 | 1.69    | 42.85 | 1.61     | 41.00 | 0.75  | 19.05 |
|                            | 03         |                                   |              |       | 0.57         | 14.48 |         |       |         |       |         |       |          |       | 0.89  | 22.61 |
| 17                         | 02         | 17 / E                            | 1.41         | 35.71 | 0.51         | 12.95 | 1.11    | 28.19 | 1.26    | 32.00 | 1.75    | 44.45 | 1.68     | 42.62 | 0.82  | 20.83 |
|                            | 03         |                                   |              |       | 0.64         | 16.26 |         |       |         |       |         |       |          |       | 0.95  | 24.13 |
| 19                         | 02         | 19 / F                            | 1.52         | 38.51 | 0.64         | 16.26 | 1.12    | 28.45 | 1.27    | 32.26 | 1.88    | 47.63 | 1.77     | 45.03 | 0.95  | 24.13 |
|                            | 03         |                                   |              |       | 0.76         | 19.30 |         |       |         |       |         |       |          |       | 1.07  | 27.18 |
| 21                         | 02         | 21 / G                            | 1.64         | 41.68 | 0.64         | 16.26 | 1.15    | 29.21 | 1.30    | 33.02 | 1.94    | 49.23 | 1.80     | 45.62 | 0.95  | 24.13 |
|                            | 03         |                                   |              |       | 0.82         | 20.83 |         |       |         |       |         |       |          |       | 1.13  | 28.07 |
| 23                         | 02         | 23 / H                            | 1.77         | 44.86 | 0.70         | 17.78 | 1.17    | 29.72 | 1.33    | 33.78 | 2.06    | 52.37 | 1.86     | 47.22 | 1.02  | 25.99 |
|                            | 03         |                                   |              |       | 0.95         | 24.13 |         |       |         |       |         |       |          |       | 1.26  | 32.00 |
| 25                         | 02         | 25 / J                            | 1.89         | 48.03 | 0.76         | 19.30 | 1.20    | 30.48 | 1.35    | 34.29 | 2.13    | 53.98 | 1.92     | 48.74 | 1.07  | 27.18 |
|                            | 03         |                                   |              |       | 1.01         | 25.65 |         |       |         |       |         |       |          |       | 1.32  | 33.53 |

Note: For more cable entry and length options, email: [sales@backshellworld.com](mailto:sales@backshellworld.com)  
 All dimensions for reference only.

- 38999
- III
- HD
- Dualok
- II
- I
- SJT
- Accessories
- Aquacon
- Herm/Seal
- PCB
- High Speed
- Fiber Optics
- Contacts
- EMI Filter Transient
- 26482
- Matrix 2
- 83723
- III
- Matrix | Pyle
- 26500
- Pyle
- 5015
- Crimp Rear Release Matrix
- 22992
- Class L
- Back-Shells
- Options Others

## Pre-Shield Adapter

Straight, 90°, Spin Coupling/Self-Lock with Shield

For Connector Family L

**38999 Series III, IV**

Connector Family "L", includes MIL-DTL-38999 Series III and Series IV



**MIL Part Number**

**M85049 / 115 - 11 T W 03 -6 D**

- MIL Series: M85049 / 115
- Slash Sheet: 115: Straight, 117: 90°
- Coupling: -: Spin Coupling, S: Self-Lock
- Shell Size: See Table-A
- Drain Hole Option: D
- Shield Length: 6 inches min. to 18 inches max. in 1 inch increments (6: 6 inch, 7: 7 inch, so on)
- Entry Size: See Table-A & B
- Finish: See Table-2 (pg. 486)
- Shield Finish: (Material: Copper) K: Nickel, T: Tin

| PART NUMBER DESIGNATOR |                      |     | CONNECTOR SHELL SIZE/ CODE (REF.) | A DIA.(MAX) |       | H (MAX) |       | J (MAX) |       |
|------------------------|----------------------|-----|-----------------------------------|-------------|-------|---------|-------|---------|-------|
| SHELL SIZE-MIL         | ALLOWABLE ENTRY SIZE |     |                                   | INCH        | MM    | INCH    | MM    | INCH    | MM    |
|                        | MIN                  | MAX |                                   |             |       |         |       |         |       |
| 09                     | -                    | 01  | 9 / A                             | 0.860       | 21.84 | 1.73    | 43.94 | 0.88    | 22.35 |
| 11                     | 01                   | 03  | 11 / B                            | 0.980       | 24.89 | 1.85    | 46.99 | 1.00    | 25.40 |
| 13                     | 01                   | 05  | 13 / C                            | 1.160       | 29.46 | 1.87    | 47.50 | 1.13    | 28.70 |
| 15                     | 03                   | 07  | 15 / D                            | 1.280       | 32.51 | 1.94    | 49.28 | 1.31    | 33.27 |
| 17                     | 05                   | 09  | 17 / E                            | 1.410       | 35.81 | 2.03    | 51.56 | 1.50    | 38.10 |
| 19                     | 06                   | 10  | 19 / F                            | 1.520       | 38.61 | 2.20    | 55.88 | 1.75    | 44.45 |
| 21                     | 08                   | 12  | 21 / G                            | 1.640       | 41.66 | 2.20    | 55.88 | 1.75    | 44.45 |
| 23                     | 09                   | 13  | 23 / H                            | 1.770       | 44.96 | 2.31    | 58.67 | 2.00    | 50.80 |
| 25                     | 10                   | 14  | 25 / J                            | 1.890       | 48.01 | 2.31    | 58.67 | 2.00    | 50.80 |

Note: For more cable entry and length options, email: sales@backshellworld.com  
All dimensions for reference only.

| ENTRY SIZE | W ±0.020 | W ±0.508 | Y +0.008 -0.000 | Y +0.200 -0.000 | Z MAX | Z MAX |
|------------|----------|----------|-----------------|-----------------|-------|-------|
|            | INCH     | MM       | INCH            | MM              | INCH  | MM    |
| 01         | 0.250    | 6.350    | 0.044           | 1.12            | 0.56  | 14.22 |
| 02         | 0.312    | 7.920    | 0.044           | 1.12            | 0.63  | 16.00 |
| 03         | 0.375    | 9.530    | 0.044           | 1.12            | 0.69  | 17.53 |
| 04         | 0.438    | 11.130   | 0.044           | 1.12            | 0.75  | 19.05 |
| 05         | 0.500    | 12.700   | 0.044           | 1.12            | 0.82  | 20.83 |
| 06         | 0.562    | 14.270   | 0.044           | 1.12            | 0.89  | 22.61 |
| 07         | 0.625    | 15.880   | 0.044           | 1.12            | 0.95  | 24.13 |
| 08         | 0.688    | 17.480   | 0.044           | 1.12            | 1.02  | 25.91 |
| 09         | 0.750    | 19.050   | 0.069           | 1.75            | 1.07  | 27.18 |
| 10         | 0.812    | 20.620   | 0.069           | 1.75            | 1.13  | 28.70 |
| 11         | 0.875    | 22.230   | 0.069           | 1.75            | 1.19  | 30.23 |
| 12         | 0.938    | 23.830   | 0.069           | 1.75            | 1.26  | 32.00 |
| 13         | 1.000    | 25.400   | 0.069           | 1.75            | 1.32  | 33.53 |
| 14         | 1.125    | 28.575   | 0.069           | 1.75            | 1.47  | 37.34 |

38999

III

HD

Dualok

II

I

SJT

Accessories

Aquacon

Herm/Seal

PCB

Fiber

Optics

Contacts

High Speed

EMI Filter

Transient

Matrix 2

26482

Matrix 2

III

83723

Matrix 1/Pyle

Pyle

26500

5015

Crimp Rear Release Matrix

22992

Class 1

Back-Shells

Options

Others



#### For Connector Family L

**38999 Series III, IV**

Connector Family "L", includes MIL-DTL-38999 Series III and Series IV



#### MIL Part Number

**M85049 / 16 - 11 W**

MIL Series: M85049 / 16  
 Slash Sheet: 16: 90°  
 15: 45°  
 Finish: See Table-2 (pg. 486)  
 Shell Size: See Table-A  
 Coupling:  
 S: Self-Lock  
 G: Self-Lock with grounding Lug  
 -: Non Self-Lock

**TABLE - A**

| MIL PART NUMBER DESIGNATOR | CONNECTOR SHELL SIZE/ CODE (REF.) | A DIA.(MAX) |       | D (MAX) |       | E (MAX) |       | F (MAX) |       | G (MAX) |       | CABLE ENTRY MAX |       |
|----------------------------|-----------------------------------|-------------|-------|---------|-------|---------|-------|---------|-------|---------|-------|-----------------|-------|
|                            |                                   | INCH        | MM    | INCH    | MM    | INCH    | MM    | INCH    | MM    | INCH    | MM    | INCH            | MM    |
| 9                          | 9 / A                             | 0.86        | 21.79 | 1.03    | 26.16 | 1.43    | 36.32 | 0.99    | 25.15 | 1.22    | 30.99 | 0.26            | 6.71  |
| 11                         | 11 / B                            | 0.98        | 24.99 | 1.03    | 26.16 | 1.43    | 36.32 | 0.99    | 25.15 | 1.29    | 32.77 | 0.39            | 9.96  |
| 13                         | 13 / C                            | 1.16        | 29.39 | 1.03    | 26.16 | 1.43    | 36.32 | 0.99    | 25.15 | 1.62    | 41.15 | 0.51            | 12.85 |
| 15                         | 15 / D                            | 1.28        | 32.49 | 1.09    | 27.69 | 1.93    | 49.02 | 0.99    | 25.15 | 1.66    | 42.16 | 0.63            | 16.03 |
| 17                         | 17 / E                            | 1.41        | 35.71 | 1.11    | 28.19 | 1.93    | 49.02 | 0.99    | 25.15 | 1.72    | 43.69 | 0.76            | 19.20 |
| 19                         | 19 / F                            | 1.52        | 38.51 | 1.21    | 30.73 | 2.03    | 51.56 | 0.99    | 25.15 | 1.72    | 43.69 | 0.85            | 21.46 |
| 21                         | 21 / G                            | 1.64        | 41.71 | 1.26    | 32.00 | 2.09    | 53.09 | 0.99    | 25.15 | 1.79    | 45.47 | 0.97            | 24.64 |
| 23                         | 23 / H                            | 1.77        | 44.91 | 1.30    | 33.02 | 2.09    | 53.09 | 0.99    | 25.15 | 1.85    | 46.99 | 1.10            | 27.81 |
| 25                         | 25 / J                            | 1.89        | 47.98 | 1.34    | 34.04 | 2.24    | 56.90 | 0.99    | 25.15 | 1.91    | 48.51 | 1.22            | 30.99 |

Note: For more cable entry and length options, email: [sales@backshellworld.com](mailto:sales@backshellworld.com)  
 All dimensions for reference only.

## Strain Relief Clamp Straight, 90°, Self-Lock/Non Self-Lock

### For Connector Family L

**38999 Series III, IV**

Connector Family "L", includes MIL-DTL-38999 Series III and Series IV



**MIL Part Number**

**M85049 / 38 - 11 W**

MIL Series: M85049 / 38  
 Slash Sheet: 38: Straight, 39: 90°  
 Finish: See Table-2 (pg. 486)  
 Shell Size: See Table-A  
 Coupling: S: Self-Lock, -: Non Self-Lock

TABLE - A

| MIL PART NUMBER DESIGNATOR | CONNECTOR SHELL SIZE/ CODE (REF.) | A DIA.(MAX) |       | B DIA.(MAX) |       | C (MAX) |       | D (MAX) |       | E (MAX) |       | F (MAX) |       |
|----------------------------|-----------------------------------|-------------|-------|-------------|-------|---------|-------|---------|-------|---------|-------|---------|-------|
|                            |                                   | INCH        | MM    | INCH        | MM    | INCH    | MM    | INCH    | MM    | INCH    | MM    | INCH    | MM    |
| 09                         | 9 / A                             | 0.75        | 19.05 | 0.86        | 21.82 | 0.91    | 23.11 | 0.85    | 21.59 | 1.10    | 27.94 | 1.21    | 30.73 |
| 11                         | 11 / B                            | 0.85        | 21.59 | 0.98        | 24.99 | 0.91    | 23.11 | 0.90    | 22.86 | 1.10    | 27.94 | 1.21    | 30.73 |
| 13                         | 13 / C                            | 1.00        | 25.40 | 1.16        | 29.36 | 1.01    | 25.65 | 1.10    | 27.94 | 1.20    | 30.48 | 1.31    | 33.27 |
| 15                         | 15 / D                            | 1.10        | 27.94 | 1.28        | 32.54 | 1.06    | 26.92 | 1.15    | 29.21 | 1.25    | 31.75 | 1.35    | 34.29 |
| 17                         | 17 / E                            | 1.25        | 31.75 | 1.41        | 35.71 | 1.16    | 29.46 | 1.30    | 33.02 | 1.36    | 34.44 | 1.45    | 36.83 |
| 19                         | 19 / F                            | 1.40        | 35.56 | 1.52        | 38.51 | 1.41    | 35.81 | 1.50    | 38.10 | 1.60    | 40.64 | 1.71    | 43.43 |
| 21                         | 21 / G                            | 1.50        | 38.10 | 1.64        | 41.68 | 1.51    | 38.35 | 1.60    | 40.64 | 1.70    | 43.21 | 1.81    | 45.97 |
| 23                         | 23 / H                            | 1.65        | 41.91 | 1.77        | 44.86 | 1.66    | 42.16 | 1.70    | 43.18 | 1.85    | 46.99 | 1.95    | 49.53 |
| 25                         | 25 / J                            | 1.75        | 44.45 | 1.89        | 48.03 | 1.76    | 44.70 | 1.80    | 45.72 | 1.95    | 49.56 | 2.05    | 52.07 |

TABLE - A, cont.

| MIL PART NUMBER DESIGNATOR | CONNECTOR SHELL SIZE/ CODE (REF.) | J (MAX) |       | K (MAX) |       | CABLE ENTRY |       |      |       |
|----------------------------|-----------------------------------|---------|-------|---------|-------|-------------|-------|------|-------|
|                            |                                   | INCH    | MM    | INCH    | MM    | MIN         |       | MAX  |       |
|                            |                                   |         |       |         |       | INCH        | MM    | INCH | MM    |
| 9                          | 9 / A                             | 1.31    | 33.27 | 1.00    | 25.40 | 0.10        | 2.49  | 0.23 | 5.94  |
| 11                         | 11 / B                            | 1.31    | 33.27 | 1.10    | 27.94 | 0.15        | 3.89  | 0.23 | 5.94  |
| 13                         | 13 / C                            | 1.51    | 38.35 | 1.10    | 27.94 | 0.19        | 4.83  | 0.33 | 8.33  |
| 15                         | 15 / D                            | 1.55    | 39.37 | 1.25    | 31.75 | 0.26        | 6.60  | 0.46 | 11.61 |
| 17                         | 17 / E                            | 1.71    | 43.43 | 1.30    | 33.02 | 0.28        | 7.19  | 0.61 | 15.60 |
| 19                         | 19 / F                            | 1.81    | 45.97 | 1.35    | 34.29 | 0.33        | 8.26  | 0.63 | 16.10 |
| 21                         | 21 / G                            | 1.95    | 49.53 | 1.60    | 40.64 | 0.34        | 8.71  | 0.70 | 17.73 |
| 23                         | 23 / H                            | 2.10    | 53.34 | 1.75    | 44.45 | 0.38        | 9.68  | 0.82 | 20.90 |
| 25                         | 25 / J                            | 2.21    | 56.13 | 1.85    | 46.99 | 0.42        | 10.62 | 0.85 | 21.67 |

Note: For more cable entry and length options, email: [sales@backshellworld.com](mailto:sales@backshellworld.com)  
 All dimensions for reference only.

38999

- III
- HD
- Dualok
- II
- I
- SJT
- Accessories
- Aquacon
- Herm/Seal
- PCB

- Fiber Optics
- High Speed
- Contacts

- EMI Filter
- Transient

- Matrix 2
- 26482

- Matrix Pyle
- III
- 83723

- Pyle
- 26500

- Crimp Rear Release Matrix
- 5015

- Class 1
- 22992

- Backshells

- Options
- Others

### For Connector Family L

**38999 Series III, IV**

Connector Family "L", includes MIL-DTL-38999 Series III and Series IV



#### MIL Part Number

**M85049 / 124 - 11 W**



| MIL PART NUMBER DESIGNATOR | CONNECTOR SHELL SIZE/ CODE (REF.) | A DIA.(MAX) |       | B LENGTH  |             | C (MAX) |       | D (MAX) |       | E (CLOSED) |       |
|----------------------------|-----------------------------------|-------------|-------|-----------|-------------|---------|-------|---------|-------|------------|-------|
|                            |                                   | INCH        | MM    | INCH      | MM          | INCH    | MM    | INCH    | MM    | ±.031      | ±.787 |
| 09                         | 9 / A                             | 0.86        | 21.79 | 0.77/0.51 | 19.56/12.95 | 1.01    | 25.65 | 0.88    | 22.35 | 0.22       | 5.56  |
| 11                         | 11 / B                            | 0.98        | 24.99 | 0.89/0.64 | 22.61/16.26 | 1.13    | 28.70 | 0.94    | 23.88 | 0.26       | 6.71  |
| 13                         | 13 / C                            | 1.16        | 29.39 | 1.01/0.76 | 25.65/19.30 | 1.25    | 31.75 | 1.12    | 28.45 | 0.34       | 8.74  |
| 15                         | 15 / D                            | 1.28        | 32.49 | 1.01/0.76 | 25.65/19.30 | 1.25    | 31.75 | 1.19    | 30.23 | 0.46       | 11.68 |
| 17                         | 17 / E                            | 1.41        | 35.71 | 1.13/0.88 | 28.70/22.35 | 1.37    | 34.80 | 1.44    | 36.58 | 0.55       | 13.84 |
| 19                         | 19 / F                            | 1.52        | 38.51 | 1.38/1.13 | 35.05/28.70 | 1.62    | 41.15 | 1.56    | 39.62 | 0.62       | 15.62 |
| 21                         | 21 / G                            | 1.64        | 41.71 | 1.51/1.25 | 38.35/31.75 | 1.75    | 44.45 | 1.69    | 42.93 | 0.69       | 17.53 |
| 23                         | 23 / H                            | 1.77        | 44.91 | 1.62/1.38 | 41.15/35.05 | 1.87    | 47.50 | 1.75    | 44.45 | 0.78       | 19.81 |
| 25                         | 25 / J                            | 1.87        | 47.47 | 1.76/1.51 | 44.70/38.35 | 2.00    | 50.80 | 1.88    | 47.75 | 0.85       | 21.59 |

Note: For more cable entry and length options, email: [sales@backshellworld.com](mailto:sales@backshellworld.com)  
All dimensions for reference only.

38999

III

HD

Dualok

II

I

SJT

Accessories

Aquacon

Herm/Seal

PCB

High Speed  
Fiber Optics  
Contacts

EMI Filter  
Transient

26482  
Matrix 2

83723  
III  
Matrix | Pyle

26500  
Pyle

5015  
Crimp Rear Release  
Matrix

22992  
Class L

Back-Shells

Options  
Others

## Strain Relief Clamp 90°, Self-Lock/Non Self-Lock

### For Connector Family L

**38999 Series III, IV**

Connector Family "L", includes MIL-DTL-38999 Series III and Series IV



| MIL PART NUMBER DESIGNATOR | CONNECTOR SHELL SIZE/ CODE (REF.) | A DIA.(MAX) |       | B (MAX) |       | C (MAX) |       | D (MAX) |       | E (CLOSED) |       |
|----------------------------|-----------------------------------|-------------|-------|---------|-------|---------|-------|---------|-------|------------|-------|
|                            |                                   | INCH        | MM    | INCH    | MM    | INCH    | MM    | INCH    | MM    | ±.031      | ±.787 |
|                            |                                   |             |       |         |       |         |       |         |       | INCH       | MM    |
| 09                         | 9 / A                             | 0.86        | 21.79 | 0.86    | 21.84 | 1.14    | 28.96 | 0.81    | 20.57 | 0.22       | 5.56  |
| 11                         | 11 / B                            | 0.98        | 24.99 | 0.94    | 23.88 | 1.22    | 30.99 | 0.87    | 22.10 | 0.26       | 6.71  |
| 13                         | 13 / C                            | 1.16        | 29.39 | 1.14    | 28.96 | 1.42    | 36.07 | 0.93    | 23.62 | 0.34       | 8.74  |
| 15                         | 15 / D                            | 1.28        | 32.49 | 1.20    | 30.48 | 1.48    | 37.59 | 0.99    | 25.15 | 0.46       | 11.68 |
| 17                         | 17 / E                            | 1.41        | 35.71 | 1.34    | 34.04 | 1.62    | 41.15 | 1.09    | 27.69 | 0.55       | 13.84 |
| 19                         | 19 / F                            | 1.52        | 38.51 | 1.46    | 37.08 | 1.74    | 44.20 | 1.23    | 31.24 | 0.62       | 15.62 |
| 21                         | 21 / G                            | 1.64        | 41.71 | 1.58    | 40.13 | 1.86    | 47.24 | 1.30    | 33.02 | 0.70       | 17.73 |
| 23                         | 23 / H                            | 1.77        | 44.91 | 1.71    | 43.43 | 1.99    | 50.55 | 1.36    | 34.54 | 0.78       | 19.81 |
| 25                         | 25 / J                            | 1.87        | 47.47 | 1.83    | 46.48 | 2.11    | 53.59 | 1.42    | 36.07 | 0.85       | 21.59 |

Note: For more cable entry and length options, email: [sales@backshellworld.com](mailto:sales@backshellworld.com)  
 All dimensions for reference only.

38999

- III
- HD
- Dualok
- II
- I
- SJT
- Accessories
- Aquacon
- Herm/Seal
- PCB

- Fiber Optics
- High Speed
- Contacts

- EMI Filter
- Transient

- Matrix 2
- 26482

- Matrix | Pyle
- III
- 83723

- Pyle
- 26500

- Crimp Rear Release Matrix
- 5015

- Class 1
- 22992

- Back-Shells

- Options
- Others

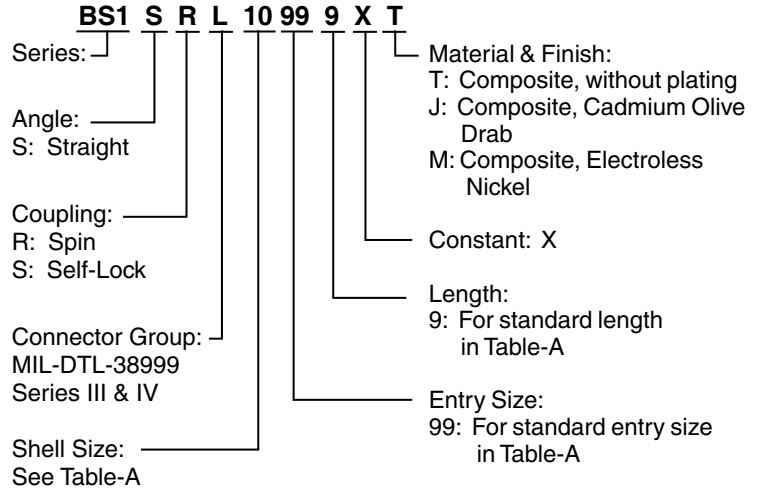
### For Connector Family L

**38999 Series III, IV**

Connector Family "L", includes MIL-DTL-38999 Series III and Series IV



#### MIL Part Number



| MIL PART NUMBER DESIGNATOR | CONNECTOR SHELL SIZE/ CODE (REF.) | A DIA.(MAX) |       | B (MAX) |       | C (MAX) |       | E (MIN) |       | L (MAX) |       | M     |       |
|----------------------------|-----------------------------------|-------------|-------|---------|-------|---------|-------|---------|-------|---------|-------|-------|-------|
|                            |                                   | INCH        | MM    | INCH    | MM    | ±0.031  | ±0.78 | INCH    | MM    | INCH    | MM    | ±.003 | ±.076 |
|                            |                                   |             |       |         |       | INCH    | MM    |         |       |         |       | INCH  | MM    |
| 08                         | 9 / A                             | 0.858       | 21.79 | 0.980   | 24.89 | 0.219   | 5.56  | 0.229   | 5.82  | 0.840   | 21.34 | 0.375 | 9.53  |
| 10                         | 11 / B                            | 0.984       | 24.99 | 1.05    | 26.67 | 0.264   | 6.71  | 0.274   | 6.96  | 0.960   | 24.38 | 0.375 | 9.53  |
| 12                         | 13 / C                            | 1.157       | 29.39 | 1.20    | 30.48 | 0.344   | 8.74  | 0.354   | 8.99  | 1.100   | 27.94 | 0.406 | 10.31 |
| 14                         | 15 / D                            | 1.280       | 32.51 | 1.30    | 33.02 | 0.460   | 11.68 | 0.470   | 11.94 | 1.100   | 27.94 | 0.406 | 10.31 |
| 16                         | 17 / E                            | 1.406       | 35.71 | 1.42    | 36.07 | 0.545   | 13.84 | 0.555   | 14.10 | 1.230   | 31.24 | 0.406 | 10.31 |
| 18                         | 19 / F                            | 1.516       | 38.51 | 1.52    | 38.61 | 0.615   | 15.62 | 0.625   | 15.88 | 1.410   | 35.81 | 0.406 | 10.31 |
| 20                         | 21 / G                            | 1.642       | 41.71 | 1.64    | 41.66 | 0.698   | 17.73 | 0.708   | 17.98 | 1.510   | 38.35 | 0.406 | 10.31 |
| 22                         | 23 / H                            | 1.768       | 44.91 | 1.77    | 44.96 | 0.780   | 19.81 | 0.790   | 20.07 | 1.660   | 42.16 | 0.406 | 10.31 |
| 24                         | 25 / J                            | 1.890       | 48.01 | 1.89    | 48.01 | 0.850   | 21.59 | 0.860   | 21.84 | 1.760   | 44.70 | 0.406 | 10.31 |

Note: For more cable entry and length options, email: [sales@backshellworld.com](mailto:sales@backshellworld.com)  
 All dimensions for reference only.

38999

III

HD

Dualok

II

I

SJT

Accessories

Aquacon

Herm/Seal

PCB

High Speed

Fiber

Optics

Contacts

EMI Filter  
Transient

26482

Matrix 2

83723

III  
Matrix | Pyle

26500

Pyle

5015

Crimp Rear  
Release  
Matrix

22992

Class L

Back-  
Shells

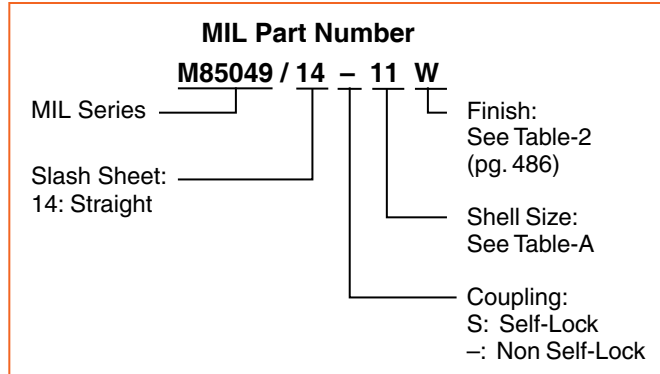
Options  
Others

## Grommet Nut Straight, Self-Lock/Non Self-Lock

### For Connector Family L

**38999 Series III, IV**

Connector Family "L", includes MIL-DTL-38999 Series III and Series IV



Note: \* Slot shown in figure is optional for Non Self-Lock

**TABLE - A**

| MIL PART NUMBER DESIGNATOR | CONNECTOR SHELL SIZE/ CODE (REF.) | A DIA.(MAX) |       | B (MAX) |       |
|----------------------------|-----------------------------------|-------------|-------|---------|-------|
|                            |                                   | INCH        | MM    | INCH    | MM    |
| 9                          | 09 / A                            | 0.86        | 21.79 | 0.26    | 6.71  |
| 11                         | 11 / B                            | 0.98        | 24.99 | 0.39    | 9.91  |
| 13                         | 13 / C                            | 1.16        | 29.39 | 0.50    | 12.80 |
| 15                         | 15 / D                            | 1.28        | 32.49 | 0.63    | 16.00 |
| 17                         | 17 / E                            | 1.41        | 35.71 | 0.76    | 19.20 |
| 19                         | 19 / F                            | 1.52        | 38.51 | 0.84    | 21.41 |
| 21                         | 21 / G                            | 1.64        | 41.71 | 0.97    | 24.64 |
| 23                         | 23 / H                            | 1.77        | 44.91 | 1.09    | 27.71 |
| 25                         | 25 / J                            | 1.87        | 47.98 | 1.22    | 30.91 |

All dimensions for reference only.

38999

III

HD

Dualok

II

I

SJT

Accessories

Aquacon

Herm/Seal

PCB

Fiber

Optics

High Speed

Contacts

EMI Filter

Transient

Matrix 2

26482

Matrix 1 Pyle

III

83723

Pyle

26500

5015

Crimp Rear Release Matrix

Class 1

22992

Back-

Shells

Options

Others

### For Connector Family K

**38999 Series II**

**38999 Series I**

Connector Family "K", includes MIL-DTL-38999 Series II and Series I

38999

- III
- HD
- Dualok
- II
- I
- SJT
- Accessories
- Aquacon
- Herm/Seal
- PCB

High Speed  
Fiber Optics  
Contacts

EMI Filter  
Transient

26482  
Matrix 2

83723  
III  
Matrix | Pyle

26500  
Pyle

5015  
Crimp Rear Release  
Matrix

22992  
Class L

Back-Shell

Options  
Others



**MIL Part Number**  
**M85049 / 29 10 W 06 A**

MIL Series: M85049 / 29  
Slash Sheet: 29: Straight, Direct Coupling  
Shell Size: 10  
Cable Range: W  
Clamp Size: 06  
Finish: A

Length: See Table-A (Omit for "STD")  
Clamp Size: See Table-A  
Finish: See Table-2 (pg. 486)

| MIL PART NUMBER DESIGNATOR |            |        | CONNECTOR SHELL SIZE SE-II/I | CABLE RANGE |       |      |       | L (MAX) |       | Y (MAX) |       |
|----------------------------|------------|--------|------------------------------|-------------|-------|------|-------|---------|-------|---------|-------|
| ACCESSORY SHELL SIZE       | CLAMP SIZE | LENGTH |                              | MIN         |       | MAX  |       | INCH    | MM    | INCH    | MM    |
|                            |            |        |                              | INCH        | MM    | INCH | MM    |         |       |         |       |
| 08                         | 01         | STD.   | 8 / 9                        | 0.06        | 1.57  | 0.13 | 3.18  | 1.03    | 26.16 | 0.78    | 19.81 |
|                            |            | A      |                              |             |       |      |       | 2.03    | 51.56 |         |       |
|                            | 02         | STD.   |                              | 0.13        | 3.18  | 0.25 | 6.35  | 1.03    | 26.16 | 0.97    | 24.64 |
|                            |            | A      |                              |             |       |      |       | 2.03    | 51.56 |         |       |
| 10                         | 01         | STD.   | 10 / 11                      | 0.06        | 1.57  | 0.13 | 3.18  | 1.03    | 26.16 | 0.78    | 19.81 |
|                            |            | A      |                              |             |       |      |       | 2.03    | 51.56 |         |       |
|                            | 02         | STD.   |                              | 0.13        | 3.18  | 0.25 | 6.35  | 1.03    | 26.16 | 0.97    | 24.64 |
|                            |            | A      |                              |             |       |      |       | 2.03    | 51.56 |         |       |
|                            | 03         | STD.   |                              | 0.25        | 6.35  | 0.38 | 9.53  | 1.03    | 26.16 | 1.06    | 26.92 |
|                            |            | A      |                              |             |       |      |       | 2.03    | 51.56 |         |       |
| 12                         | 02         | STD.   | 12 / 13                      | 0.13        | 3.18  | 0.25 | 6.35  | 1.03    | 26.16 | 0.97    | 24.64 |
|                            |            | A      |                              |             |       |      |       | 2.03    | 51.56 |         |       |
|                            | 03         | STD.   |                              | 0.25        | 6.35  | 0.38 | 9.53  | 1.03    | 26.16 | 1.06    | 26.92 |
|                            |            | A      |                              |             |       |      |       | 2.03    | 51.56 |         |       |
|                            | 04         | STD.   |                              | 0.31        | 7.92  | 0.50 | 12.70 | 1.03    | 26.16 | 1.16    | 29.46 |
|                            |            | A      |                              |             |       |      |       | 2.03    | 51.56 |         |       |
| 14                         | 02         | STD.   | 14 / 15                      | 0.13        | 3.18  | 0.25 | 6.35  | 1.03    | 26.16 | 0.97    | 24.64 |
|                            |            | A      |                              |             |       |      |       | 2.03    | 51.56 |         |       |
|                            |            | B      |                              |             |       |      |       | 3.03    | 76.96 |         |       |
|                            |            | STD.   |                              |             |       |      |       | 1.03    | 26.16 |         |       |
|                            | 03         | A      |                              | 0.25        | 6.35  | 0.38 | 9.53  | 1.03    | 26.16 | 1.06    | 26.92 |
|                            |            | B      |                              |             |       |      |       | 2.03    | 51.56 |         |       |
|                            |            | STD.   |                              |             |       |      |       | 3.03    | 76.96 |         |       |
|                            |            | A      |                              |             |       |      |       | 1.03    | 26.16 |         |       |
|                            | 04         | A      |                              | 0.31        | 7.92  | 0.50 | 12.70 | 1.03    | 26.16 | 1.16    | 29.46 |
|                            |            | B      |                              |             |       |      |       | 2.03    | 51.56 |         |       |
|                            |            | STD.   |                              |             |       |      |       | 3.03    | 76.96 |         |       |
|                            |            | A      |                              |             |       |      |       | 1.03    | 26.16 |         |       |
| 05                         | A          | 0.44   | 11.10                        | 0.63        | 15.88 | 1.03 | 26.16 | 1.25    | 31.75 |         |       |
|                            | B          |        |                              |             |       | 2.03 | 51.56 |         |       |         |       |
|                            | STD.       |        |                              |             |       | 3.03 | 76.96 |         |       |         |       |
|                            | A          |        |                              |             |       | 1.03 | 26.16 |         |       |         |       |

Note: For more cable entry and length options, email: sales@backshellworld.com  
All dimensions for reference only.

TABLE CONTINUES ON NEXT PAGE

### For Connector Family K

**38999 Series II**

**38999 Series I**

Connector Family "K", includes MIL-DTL-38999 Series II and Series I

**TABLE A**

| MIL PART NUMBER DESIGNATOR |            |        | CONNECTOR SHELL SIZE SE - II/I | CABLE RANGE |       |      |       | L (MAX) |        | Y (MAX) |       |
|----------------------------|------------|--------|--------------------------------|-------------|-------|------|-------|---------|--------|---------|-------|
| ACCESSORY SHELL SIZE       | CLAMP SIZE | LENGTH |                                | MIN         |       | MAX  |       | INCH    | MM     | INCH    | MM    |
|                            |            |        |                                | INCH        | MM    | INCH | MM    |         |        |         |       |
| 16                         | 02         | STD.   | 16 / 17                        | 0.13        | 3.18  | 0.25 | 6.35  | 1.03    | 26.16  | 0.97    | 24.64 |
|                            |            | A      |                                |             |       |      |       | 2.03    | 51.56  |         |       |
|                            |            | B      |                                |             |       |      |       | 3.03    | 76.96  |         |       |
|                            | 03         | STD.   |                                | 0.25        | 6.35  | 0.38 | 9.53  | 1.03    | 26.16  | 1.06    | 26.92 |
|                            |            | A      |                                |             |       |      |       | 2.03    | 51.56  |         |       |
|                            |            | B      |                                |             |       |      |       | 3.03    | 76.96  |         |       |
|                            | 04         | STD.   |                                | 0.31        | 7.92  | 0.50 | 12.70 | 1.03    | 26.16  | 1.16    | 29.46 |
|                            |            | A      |                                |             |       |      |       | 2.03    | 51.56  |         |       |
|                            |            | B      |                                |             |       |      |       | 3.03    | 76.96  |         |       |
|                            | 05         | STD.   |                                | 0.44        | 11.10 | 0.63 | 15.88 | 1.03    | 26.16  | 1.25    | 31.75 |
|                            |            | A      |                                |             |       |      |       | 2.03    | 51.56  |         |       |
|                            |            | B      |                                |             |       |      |       | 3.03    | 76.96  |         |       |
| 06                         | STD.       | 0.56   | 14.27                          | 0.75        | 19.05 | 1.03 | 26.16 | 1.38    | 35.05  |         |       |
|                            | A          |        |                                |             |       | 2.03 | 51.56 |         |        |         |       |
|                            | B          |        |                                |             |       | 3.03 | 76.96 |         |        |         |       |
| 18                         | 03         | STD.   | 18 / 19                        | 0.25        | 6.35  | 0.38 | 9.53  | 1.03    | 26.16  | 1.06    | 26.92 |
|                            |            | A      |                                |             |       |      |       | 2.03    | 51.56  |         |       |
|                            |            | B      |                                |             |       |      |       | 3.03    | 76.96  |         |       |
|                            | 04         | STD.   |                                | 0.31        | 7.92  | 0.50 | 12.70 | 1.03    | 26.16  | 1.16    | 29.46 |
|                            |            | A      |                                |             |       |      |       | 2.03    | 51.56  |         |       |
|                            |            | B      |                                |             |       |      |       | 3.03    | 76.96  |         |       |
|                            | 05         | STD.   |                                | 0.44        | 11.10 | 0.63 | 15.88 | 1.03    | 26.16  | 1.25    | 31.75 |
|                            |            | A      |                                |             |       |      |       | 2.03    | 51.56  |         |       |
|                            |            | B      |                                |             |       |      |       | 3.03    | 76.96  |         |       |
|                            | 06         | STD.   |                                | 0.56        | 14.27 | 0.75 | 19.05 | 1.03    | 26.16  | 1.38    | 35.05 |
|                            |            | A      |                                |             |       |      |       | 2.03    | 51.56  |         |       |
|                            |            | B      |                                |             |       |      |       | 3.03    | 76.96  |         |       |
| 07                         | STD.       | 0.69   | 17.45                          | 0.88        | 22.23 | 1.03 | 26.16 | 1.50    | 38.10  |         |       |
|                            | A          |        |                                |             |       | 2.03 | 51.56 |         |        |         |       |
|                            | B          |        |                                |             |       | 3.03 | 76.96 |         |        |         |       |
| 20                         | 03         | STD.   | 20 / 21                        | 0.25        | 6.35  | 0.38 | 9.53  | 1.03    | 26.16  | 1.06    | 26.92 |
|                            |            | A      |                                |             |       |      |       | 2.03    | 51.56  |         |       |
|                            |            | B      |                                |             |       |      |       | 3.03    | 76.96  |         |       |
|                            |            | C      |                                |             |       |      |       | 4.03    | 102.36 |         |       |
|                            | 04         | STD.   |                                | 0.31        | 7.92  | 0.50 | 12.70 | 1.03    | 26.16  | 1.16    | 29.46 |
|                            |            | A      |                                |             |       |      |       | 2.03    | 51.56  |         |       |
|                            |            | B      |                                |             |       |      |       | 3.03    | 76.96  |         |       |
|                            |            | C      |                                |             |       |      |       | 4.03    | 102.36 |         |       |
|                            | 05         | STD.   |                                | 0.44        | 11.10 | 0.63 | 15.88 | 1.03    | 26.16  | 1.25    | 31.75 |
|                            |            | A      |                                |             |       |      |       | 2.03    | 51.56  |         |       |
|                            |            | B      |                                |             |       |      |       | 3.03    | 76.96  |         |       |
|                            |            | C      |                                |             |       |      |       | 4.03    | 102.36 |         |       |
|                            | 06         | STD.   |                                | 0.56        | 14.27 | 0.75 | 19.05 | 1.03    | 26.16  | 1.38    | 35.05 |
|                            |            | A      |                                |             |       |      |       | 2.03    | 51.56  |         |       |
|                            |            | B      |                                |             |       |      |       | 3.03    | 76.96  |         |       |
|                            |            | C      |                                |             |       |      |       | 4.03    | 102.36 |         |       |
|                            | 07         | STD.   |                                | 0.69        | 17.45 | 0.88 | 22.23 | 1.03    | 26.16  | 1.50    | 38.10 |
|                            |            | A      |                                |             |       |      |       | 2.03    | 51.56  |         |       |
|                            |            | B      |                                |             |       |      |       | 3.03    | 76.96  |         |       |
|                            |            | C      |                                |             |       |      |       | 4.03    | 102.36 |         |       |
|                            | 08         | STD.   |                                | 0.81        | 20.62 | 1.00 | 25.40 | 1.03    | 26.16  | 1.63    | 41.40 |
|                            |            | A      |                                |             |       |      |       | 2.03    | 51.56  |         |       |
|                            |            | B      |                                |             |       |      |       | 3.03    | 76.96  |         |       |
|                            |            | C      |                                |             |       |      |       | 4.03    | 102.36 |         |       |

Note: For more cable entry and length options, email: [sales@backshellworld.com](mailto:sales@backshellworld.com)  
All dimensions for reference only.

TABLE CONTINUES ON NEXT PAGE

38999

- III
- HD
- Dualok
- II
- I
- SJT
- Accessories
- Aquacon
- Herm/Seal
- PCB

- Fiber
- Optics
- Contacts
- High Speed

- EMI Filter
- Transient

- Matrix 2
- 26482

- Matrix I/Pyle
- III
- 83723

- Pyle
- 26500

- Crimp Rear Release Matrix
- 5015

- Class I
- 22992

- Backshells

- Options
- Others



### For Connector Family K

38999 Series II

38999 Series I

Connector Family "K", includes MIL-DTL-38999 Series II and Series I

| TABLE A                    |            |        |                              |             |       |      |        |         |        |         |       |
|----------------------------|------------|--------|------------------------------|-------------|-------|------|--------|---------|--------|---------|-------|
| MIL PART NUMBER DESIGNATOR |            |        | CONNECTOR SHELL SIZE SE-II/I | CABLE RANGE |       |      |        | L (MAX) |        | Y (MAX) |       |
| ACCESSORY SHELL SIZE       | CLAMP SIZE | LENGTH |                              | MIN         |       | MAX  |        | INCH    | MM     | INCH    | MM    |
|                            |            |        |                              | INCH        | MM    | INCH | MM     |         |        |         |       |
| 22                         | 03         | STD.   | 22 /23                       | 0.25        | 6.35  | 0.38 | 9.53   | 1.03    | 26.16  | 1.06    | 26.92 |
|                            |            | A      |                              |             |       |      |        | 2.03    | 51.56  |         |       |
|                            |            | B      |                              |             |       |      |        | 3.03    | 76.96  |         |       |
|                            |            | C      |                              |             |       |      |        | 4.03    | 102.36 |         |       |
|                            | 04         | STD.   |                              | 0.31        | 7.92  | 0.50 | 12.70  | 1.03    | 26.16  | 1.16    | 29.46 |
|                            |            | A      |                              |             |       |      |        | 2.03    | 51.56  |         |       |
|                            |            | B      |                              |             |       |      |        | 3.03    | 76.96  |         |       |
|                            |            | C      |                              |             |       |      |        | 4.03    | 102.36 |         |       |
|                            | 05         | STD.   |                              | 0.44        | 11.10 | 0.63 | 15.88  | 1.03    | 26.16  | 1.25    | 31.75 |
|                            |            | A      |                              |             |       |      |        | 2.03    | 51.56  |         |       |
|                            |            | B      |                              |             |       |      |        | 3.03    | 76.96  |         |       |
|                            |            | C      |                              |             |       |      |        | 4.03    | 102.36 |         |       |
|                            | 06         | STD.   |                              | 0.56        | 14.27 | 0.75 | 19.05  | 1.03    | 26.16  | 1.38    | 35.05 |
|                            |            | A      |                              |             |       |      |        | 2.03    | 51.56  |         |       |
|                            |            | B      |                              |             |       |      |        | 3.03    | 76.96  |         |       |
|                            |            | C      |                              |             |       |      |        | 4.03    | 102.36 |         |       |
|                            | 07         | STD.   |                              | 0.69        | 17.45 | 0.88 | 22.23  | 1.03    | 26.16  | 1.50    | 38.10 |
|                            |            | A      |                              |             |       |      |        | 2.03    | 51.56  |         |       |
|                            |            | B      |                              |             |       |      |        | 3.03    | 76.96  |         |       |
|                            |            | C      |                              |             |       |      |        | 4.03    | 102.36 |         |       |
|                            | 08         | STD.   |                              | 0.81        | 20.62 | 1.00 | 25.40  | 1.03    | 26.16  | 1.63    | 41.40 |
|                            |            | A      |                              |             |       |      |        | 2.03    | 51.56  |         |       |
|                            |            | B      |                              |             |       |      |        | 3.03    | 76.96  |         |       |
|                            |            | C      |                              |             |       |      |        | 4.03    | 102.36 |         |       |
| 09                         | STD.       | 0.94   | 23.80                        | 1.13        | 28.58 | 1.03 | 26.16  | 1.75    | 44.45  |         |       |
|                            | A          |        |                              |             |       | 2.03 | 51.56  |         |        |         |       |
|                            | B          |        |                              |             |       | 3.03 | 76.96  |         |        |         |       |
|                            | C          |        |                              |             |       | 4.03 | 102.36 |         |        |         |       |
| 24                         | 04         | STD.   | 24 / 25                      | 0.31        | 7.92  | 0.50 | 12.70  | 1.03    | 26.16  | 1.16    | 29.46 |
|                            |            | A      |                              |             |       |      |        | 2.03    | 51.56  |         |       |
|                            |            | B      |                              |             |       |      |        | 3.03    | 76.96  |         |       |
|                            |            | C      |                              |             |       |      |        | 4.03    | 102.36 |         |       |
|                            | 05         | STD.   |                              | 0.44        | 11.10 | 0.63 | 15.88  | 1.03    | 26.16  | 1.25    | 31.75 |
|                            |            | A      |                              |             |       |      |        | 2.03    | 51.56  |         |       |
|                            |            | B      |                              |             |       |      |        | 3.03    | 76.96  |         |       |
|                            |            | C      |                              |             |       |      |        | 4.03    | 102.36 |         |       |
|                            | 06         | STD.   |                              | 0.56        | 14.27 | 0.75 | 19.05  | 1.03    | 26.16  | 1.38    | 35.05 |
|                            |            | A      |                              |             |       |      |        | 2.03    | 51.56  |         |       |
|                            |            | B      |                              |             |       |      |        | 3.03    | 76.96  |         |       |
|                            |            | C      |                              |             |       |      |        | 4.03    | 102.36 |         |       |
|                            | 07         | STD.   |                              | 0.69        | 17.45 | 0.88 | 22.23  | 1.03    | 26.16  | 1.50    | 38.10 |
|                            |            | A      |                              |             |       |      |        | 2.03    | 51.56  |         |       |
|                            |            | B      |                              |             |       |      |        | 3.03    | 76.96  |         |       |
|                            |            | C      |                              |             |       |      |        | 4.03    | 102.36 |         |       |
|                            | 08         | STD.   |                              | 0.81        | 20.62 | 1.00 | 25.40  | 1.03    | 26.16  | 1.63    | 41.40 |
|                            |            | A      |                              |             |       |      |        | 2.03    | 51.56  |         |       |
|                            |            | B      |                              |             |       |      |        | 3.03    | 76.96  |         |       |
|                            |            | C      |                              |             |       |      |        | 4.03    | 102.36 |         |       |
|                            | 09         | STD.   |                              | 0.94        | 23.80 | 1.13 | 28.58  | 1.03    | 26.16  | 1.75    | 44.45 |
|                            |            | A      |                              |             |       |      |        | 2.03    | 51.56  |         |       |
|                            |            | B      |                              |             |       |      |        | 3.03    | 76.96  |         |       |
|                            |            | C      |                              |             |       |      |        | 4.03    | 102.36 |         |       |
| 10                         | STD.       | 1.06   | 26.97                        | 1.25        | 31.75 | 1.03 | 26.16  | 1.88    | 47.75  |         |       |
|                            | A          |        |                              |             |       | 2.03 | 51.56  |         |        |         |       |
|                            | B          |        |                              |             |       | 3.03 | 76.96  |         |        |         |       |
|                            | C          |        |                              |             |       | 4.03 | 102.36 |         |        |         |       |

Note: For more cable entry and length options, email: sales@backshellworld.com  
All dimensions for reference only.

### For Connector Family K

**38999 Series II**

**38999 Series I**

Connector Family "K", includes MIL-DTL-38999 Series II and Series I

38999

III

HD

Dualok

II

I

SJT

Accessories

Aquacon

Herm/Seal

PCB

Fiber

Optics

High Speed

Contacts

EMI Filter

Transient

Matrix 2

26482

Matrix Pyle

III

83723

Pyle

26500

Matrix

5015

Crimp Rear Release

Matrix

22992

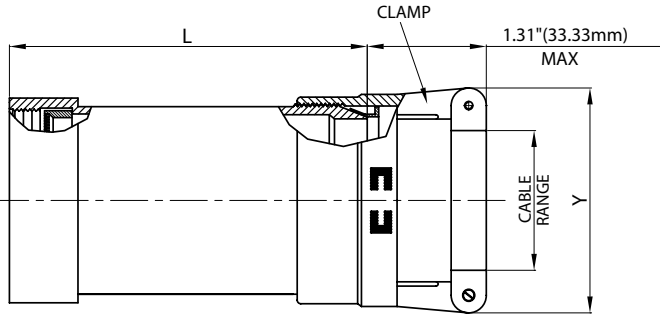
Class I

Back-

Shells

Options

Others



**MIL Part Number**  
**M85049 / 36 10 W 03 A**

MIL Series: M85049  
 Slash Sheet: 36: Straight, Direct Coupling  
 Shell Size: 10  
 Cable Range: W  
 Length: 03  
 Clamp Size: A  
 Finish: A

Length See Table-A (Omit for "STD")  
 Clamp Size: See Table-A  
 Finish: See Table-2 (pg. 486)

| MIL PART NUMBER DESIGNATOR |            |             | CONNECTOR SHELL SIZE SE - II / I | CABLE RANGE |       |       |       | L (MAX) |       | Y (MAX) |       |       |       |       |
|----------------------------|------------|-------------|----------------------------------|-------------|-------|-------|-------|---------|-------|---------|-------|-------|-------|-------|
| ACCESSORY SHELL SIZE       | CLAMP SIZE | LENGTH CODE |                                  | MIN         |       | MAX   |       | INCH    | MM    | INCH    | MM    |       |       |       |
|                            |            |             |                                  | INCH        | MM    | INCH  | MM    |         |       |         |       |       |       |       |
| 08                         | 01         | STD.        | 8 / 9                            | 0.06        | 1.57  | 0.13  | 3.18  | 1.53    | 38.86 | 0.78    | 19.81 |       |       |       |
|                            |            | A           |                                  |             |       |       |       | 2.53    | 64.26 |         |       |       |       |       |
|                            | 02         | STD.        |                                  | 0.13        | 3.18  | 0.25  | 6.35  | 1.53    | 38.86 |         |       | 0.97  | 24.64 |       |
|                            |            | A           |                                  | 2.53        | 64.26 |       |       |         |       |         |       |       |       |       |
| 10                         | 01         | STD.        |                                  | 10 / 11     | 0.06  | 1.57  | 0.13  | 3.18    | 1.53  | 38.86   | 0.78  | 19.81 |       |       |
|                            |            | A           |                                  |             |       |       |       |         | 2.53  | 64.26   |       |       |       |       |
|                            | 02         | STD.        |                                  |             | 0.13  | 3.18  | 0.25  | 6.35    | 1.53  | 38.86   |       |       | 0.97  | 24.64 |
|                            |            | A           |                                  |             |       |       |       |         | 2.53  | 64.26   |       |       |       |       |
|                            | 03         | STD.        | 0.25                             |             | 6.35  | 0.38  | 9.53  | 1.53    | 38.86 | 1.06    |       |       | 26.92 |       |
|                            |            | A           |                                  |             |       |       |       | 2.53    | 64.26 |         |       |       |       |       |
| 12                         | 02         | STD.        | 12 / 13                          | 0.13        | 3.18  | 0.25  | 6.35  | 1.53    | 38.86 | 0.97    | 24.64 |       |       |       |
|                            |            | A           |                                  |             |       |       |       | 2.53    | 64.26 |         |       |       |       |       |
|                            | 03         | STD.        |                                  | 0.25        | 6.35  | 0.38  | 9.53  | 1.53    | 38.86 |         |       | 1.06  | 26.92 |       |
|                            |            | A           |                                  |             |       |       |       | 2.53    | 64.26 |         |       |       |       |       |
|                            | 04         | STD.        |                                  | 0.31        | 7.92  | 0.50  | 12.70 | 1.53    | 38.86 |         |       | 1.16  | 29.46 |       |
|                            |            | A           |                                  |             |       |       |       | 2.53    | 64.26 |         |       |       |       |       |
| 14                         | 02         | STD.        | 14 / 15                          | 0.13        | 3.18  | 0.25  | 6.35  | 1.53    | 38.86 | 0.97    | 24.64 |       |       |       |
|                            |            | A           |                                  |             |       |       |       | 2.53    | 64.26 |         |       |       |       |       |
|                            |            | B           |                                  |             |       |       |       | 3.53    | 89.66 |         |       |       |       |       |
|                            | 03         | STD.        |                                  | 0.25        | 6.35  | 0.38  | 9.53  | 1.53    | 38.86 |         |       | 1.06  | 26.92 |       |
|                            |            | A           |                                  |             |       |       |       | 2.53    | 64.26 |         |       |       |       |       |
|                            |            | B           |                                  |             |       |       |       | 3.53    | 89.66 |         |       |       |       |       |
|                            | 04         | STD.        |                                  | 0.31        | 7.92  | 0.50  | 12.70 | 1.53    | 38.86 |         |       | 1.16  | 29.46 |       |
|                            |            | A           |                                  |             |       |       |       | 2.53    | 64.26 |         |       |       |       |       |
|                            |            | B           |                                  |             |       |       |       | 3.53    | 89.66 |         |       |       |       |       |
|                            |            | 3.53        |                                  |             |       |       |       | 89.66   |       |         |       |       |       |       |
| 05                         | STD.       | 0.44        | 11.10                            | 0.63        | 15.88 | 1.53  | 38.86 | 1.25    | 31.75 |         |       |       |       |       |
|                            | A          |             |                                  |             |       | 2.53  | 64.26 |         |       |         |       |       |       |       |
|                            | B          |             |                                  |             |       | 3.53  | 89.66 |         |       |         |       |       |       |       |
|                            | 3.53       |             |                                  |             |       | 89.66 |       |         |       |         |       |       |       |       |
|                            | 1.53       |             |                                  |             |       | 38.86 |       |         |       |         |       |       |       |       |
|                            | 2.53       |             |                                  |             |       | 64.26 |       |         |       |         |       |       |       |       |
| 16                         | 02         | STD.        | 16 / 17                          | 0.13        | 3.18  | 0.25  | 6.35  | 1.53    | 38.86 | 0.97    | 24.64 |       |       |       |
|                            |            | A           |                                  |             |       |       |       | 2.53    | 64.26 |         |       |       |       |       |
|                            |            | B           |                                  |             |       |       |       | 3.53    | 89.66 |         |       |       |       |       |
|                            | 03         | STD.        |                                  | 0.25        | 6.35  | 0.38  | 9.53  | 1.53    | 38.86 |         |       | 1.06  | 26.92 |       |
|                            |            | A           |                                  |             |       |       |       | 2.53    | 64.26 |         |       |       |       |       |
|                            |            | B           |                                  |             |       |       |       | 3.53    | 89.66 |         |       |       |       |       |
|                            | 04         | STD.        |                                  | 0.31        | 7.92  | 0.50  | 12.70 | 1.53    | 38.86 |         |       | 1.16  | 29.46 |       |
|                            |            | A           |                                  |             |       |       |       | 2.53    | 64.26 |         |       |       |       |       |
|                            |            | B           |                                  |             |       |       |       | 3.53    | 89.66 |         |       |       |       |       |
|                            | 05         | STD.        |                                  | 0.44        | 11.10 | 0.63  | 15.88 | 1.53    | 38.86 |         |       | 1.25  | 31.75 |       |
|                            |            | A           |                                  |             |       |       |       | 2.53    | 64.26 |         |       |       |       |       |
|                            |            | B           |                                  |             |       |       |       | 3.53    | 89.66 |         |       |       |       |       |
| 3.53                       |            | 89.66       |                                  |             |       |       |       |         |       |         |       |       |       |       |
| 1.53                       |            | 38.86       |                                  |             |       |       |       |         |       |         |       |       |       |       |
| 2.53                       |            | 64.26       |                                  |             |       |       |       |         |       |         |       |       |       |       |
| 06                         | STD.       | 0.56        | 14.27                            | 0.75        | 19.05 | 1.53  | 38.86 | 1.38    | 35.05 |         |       |       |       |       |
|                            | A          |             |                                  |             |       | 2.53  | 64.26 |         |       |         |       |       |       |       |
|                            | B          |             |                                  |             |       | 3.53  | 89.66 |         |       |         |       |       |       |       |
|                            | 3.53       |             |                                  |             |       | 89.66 |       |         |       |         |       |       |       |       |
|                            | 1.53       |             |                                  |             |       | 38.86 |       |         |       |         |       |       |       |       |
|                            | 2.53       |             |                                  |             |       | 64.26 |       |         |       |         |       |       |       |       |

Note: For more cable entry and length options, email: sales@backshellworld.com  
 All dimensions for reference only.

TABLE CONTINUES ON NEXT PAGE

### For Connector Family K

**38999 Series II**

**38999 Series I**

Connector Family "K", includes MIL-DTL-38999 Series II and Series I

| TABLE-A, cont.             |            |             |                                  |             |       |      |        |         |        |         |       |
|----------------------------|------------|-------------|----------------------------------|-------------|-------|------|--------|---------|--------|---------|-------|
| MIL PART NUMBER DESIGNATOR |            |             | CONNECTOR SHELL SIZE SE - II / I | CABLE RANGE |       |      |        | L (MAX) |        | Y (MAX) |       |
| ACCESSORY SHELL SIZE       | CLAMP SIZE | LENGTH CODE |                                  | MIN         |       | MAX  |        | INCH    | MM     | INCH    | MM    |
|                            |            |             |                                  | INCH        | MM    | INCH | MM     |         |        |         |       |
| 18                         | 03         | STD.        | 18 / 19                          | 0.25        | 6.35  | 0.38 | 9.53   | 1.53    | 38.86  | 1.06    | 26.92 |
|                            |            | A           |                                  |             |       |      |        | 2.53    | 64.26  |         |       |
|                            |            | B           |                                  |             |       |      |        | 3.53    | 89.66  |         |       |
|                            | 04         | STD.        |                                  | 0.31        | 7.92  | 0.50 | 12.70  | 1.53    | 38.86  | 1.16    | 29.46 |
|                            |            | A           |                                  |             |       |      |        | 2.53    | 64.26  |         |       |
|                            |            | B           |                                  |             |       |      |        | 3.53    | 89.66  |         |       |
|                            | 05         | STD.        |                                  | 0.44        | 11.10 | 0.63 | 15.88  | 1.53    | 38.86  | 1.25    | 31.75 |
|                            |            | A           |                                  |             |       |      |        | 2.53    | 64.26  |         |       |
|                            |            | B           |                                  |             |       |      |        | 3.53    | 89.66  |         |       |
|                            | 06         | STD.        |                                  | 0.56        | 14.27 | 0.75 | 19.05  | 1.53    | 38.86  | 1.38    | 35.05 |
|                            |            | A           |                                  |             |       |      |        | 2.53    | 64.26  |         |       |
|                            |            | B           |                                  |             |       |      |        | 3.53    | 89.66  |         |       |
| 07                         | STD.       | 0.69        | 17.45                            | 0.88        | 22.23 | 1.53 | 38.86  | 1.50    | 38.10  |         |       |
|                            | A          |             |                                  |             |       | 2.53 | 64.26  |         |        |         |       |
|                            | B          |             |                                  |             |       | 3.53 | 89.66  |         |        |         |       |
| 20                         | 03         | STD.        | 20 / 21                          | 0.25        | 6.35  | 0.38 | 9.53   | 1.53    | 38.86  | 1.06    | 26.92 |
|                            |            | A           |                                  |             |       |      |        | 2.53    | 64.26  |         |       |
|                            |            | B           |                                  |             |       |      |        | 3.53    | 89.66  |         |       |
|                            |            | C           |                                  |             |       |      |        | 4.53    | 115.06 |         |       |
|                            | 04         | STD.        |                                  | 0.31        | 7.92  | 0.50 | 12.70  | 1.53    | 38.86  | 1.16    | 29.46 |
|                            |            | A           |                                  |             |       |      |        | 2.53    | 64.26  |         |       |
|                            |            | B           |                                  |             |       |      |        | 3.53    | 89.66  |         |       |
|                            |            | C           |                                  |             |       |      |        | 4.53    | 115.06 |         |       |
|                            | 05         | STD.        |                                  | 0.44        | 11.10 | 0.63 | 15.88  | 1.53    | 38.86  | 1.25    | 31.75 |
|                            |            | A           |                                  |             |       |      |        | 2.53    | 64.26  |         |       |
|                            |            | B           |                                  |             |       |      |        | 3.53    | 89.66  |         |       |
|                            |            | C           |                                  |             |       |      |        | 4.53    | 115.06 |         |       |
|                            | 06         | STD.        |                                  | 0.56        | 14.27 | 0.75 | 19.05  | 1.53    | 38.86  | 1.38    | 35.05 |
|                            |            | A           |                                  |             |       |      |        | 2.53    | 64.26  |         |       |
|                            |            | B           |                                  |             |       |      |        | 3.53    | 89.66  |         |       |
|                            |            | C           |                                  |             |       |      |        | 4.53    | 115.06 |         |       |
|                            | 07         | STD.        |                                  | 0.69        | 17.45 | 0.88 | 22.23  | 1.53    | 38.86  | 1.50    | 38.10 |
|                            |            | A           |                                  |             |       |      |        | 2.53    | 64.26  |         |       |
| B                          |            | 3.53        | 89.66                            |             |       |      |        |         |        |         |       |
| C                          |            | 4.53        | 115.06                           |             |       |      |        |         |        |         |       |
| 08                         | STD.       | 0.81        | 20.62                            | 1.00        | 25.40 | 1.53 | 38.86  | 1.63    | 41.40  |         |       |
|                            | A          |             |                                  |             |       | 2.53 | 64.26  |         |        |         |       |
|                            | B          |             |                                  |             |       | 3.53 | 89.66  |         |        |         |       |
|                            | C          |             |                                  |             |       | 4.53 | 115.06 |         |        |         |       |

Note: For more cable entry and length options, email: [sales@backshellworld.com](mailto:sales@backshellworld.com)  
All dimensions for reference only.

TABLE CONTINUES ON NEXT PAGE

### For Connector Family K

**38999 Series II**

**38999 Series I**

Connector Family "K", includes MIL-DTL-38999 Series II and Series I

TABLE-A, cont.

| MIL PART NUMBER DESIGNATOR | ACCESSORY SHELL SIZE | CLAMP SIZE | LENGTH CODE | CONNECTOR SHELL SIZE SE-II/I | CABLE RANGE |       |       |        | L (MAX) |        | Y (MAX) |       |
|----------------------------|----------------------|------------|-------------|------------------------------|-------------|-------|-------|--------|---------|--------|---------|-------|
|                            |                      |            |             |                              | MIN         |       | MAX   |        | INCH    | MM     | INCH    | MM    |
|                            |                      |            |             |                              | INCH        | MM    | INCH  | MM     |         |        |         |       |
| 22                         | 03                   | STD.       | A           | 22 / 23                      | 0.25        | 6.35  | 0.38  | 9.53   | 1.53    | 38.86  | 1.06    | 26.92 |
|                            |                      | A          |             |                              |             |       |       |        | 2.53    | 64.26  |         |       |
|                            |                      | B          |             |                              |             |       |       |        | 3.53    | 89.66  |         |       |
|                            |                      | C          |             |                              |             |       |       |        | 4.53    | 115.06 |         |       |
|                            | 04                   | STD.       | A           |                              | 0.31        | 7.92  | 0.50  | 12.70  | 1.53    | 38.86  | 1.16    | 29.46 |
|                            |                      | A          |             |                              |             |       |       |        | 2.53    | 64.26  |         |       |
|                            |                      | B          |             |                              |             |       |       |        | 3.53    | 89.66  |         |       |
|                            |                      | C          |             |                              |             |       |       |        | 4.53    | 115.06 |         |       |
|                            | 05                   | STD.       | A           |                              | 0.44        | 11.10 | 0.63  | 15.88  | 1.53    | 38.86  | 1.25    | 31.75 |
|                            |                      | A          |             |                              |             |       |       |        | 2.53    | 64.26  |         |       |
|                            |                      | B          |             |                              |             |       |       |        | 3.53    | 89.66  |         |       |
|                            |                      | C          |             |                              |             |       |       |        | 4.53    | 115.06 |         |       |
|                            | 06                   | STD.       | A           | 0.56                         | 14.27       | 0.75  | 19.05 | 1.53   | 38.86   | 1.38   | 35.05   |       |
|                            |                      | A          |             |                              |             |       |       | 2.53   | 64.26   |        |         |       |
|                            |                      | B          |             |                              |             |       |       | 3.53   | 89.66   |        |         |       |
|                            |                      | C          |             |                              |             |       |       | 4.53   | 115.06  |        |         |       |
|                            | 07                   | STD.       | A           | 0.69                         | 17.45       | 0.88  | 22.23 | 1.53   | 38.86   | 1.50   | 38.10   |       |
|                            |                      | A          |             |                              |             |       |       | 2.53   | 64.26   |        |         |       |
|                            |                      | B          |             |                              |             |       |       | 3.53   | 89.66   |        |         |       |
|                            |                      | C          |             |                              |             |       |       | 4.53   | 115.06  |        |         |       |
|                            | 08                   | STD.       | A           | 0.81                         | 20.62       | 1.00  | 25.40 | 1.53   | 38.86   | 1.63   | 41.40   |       |
|                            |                      | A          |             |                              |             |       |       | 2.53   | 64.26   |        |         |       |
|                            |                      | B          |             |                              |             |       |       | 3.53   | 89.66   |        |         |       |
|                            |                      | C          |             |                              |             |       |       | 4.53   | 115.06  |        |         |       |
| 09                         | STD.                 | A          | 0.94        | 23.80                        | 1.13        | 28.58 | 1.53  | 38.86  | 1.75    | 44.45  |         |       |
|                            | A                    |            |             |                              |             |       | 2.53  | 64.26  |         |        |         |       |
|                            | B                    |            |             |                              |             |       | 3.53  | 89.66  |         |        |         |       |
|                            | C                    |            |             |                              |             |       | 4.53  | 115.06 |         |        |         |       |
| 24                         | 04                   | STD.       | A           | 24 / 25                      | 0.31        | 7.92  | 0.50  | 12.70  | 1.53    | 38.86  | 1.16    | 29.46 |
|                            |                      | A          |             |                              |             |       |       |        | 2.53    | 64.26  |         |       |
|                            |                      | B          |             |                              |             |       |       |        | 3.53    | 89.66  |         |       |
|                            |                      | C          |             |                              |             |       |       |        | 4.53    | 115.06 |         |       |
|                            | 05                   | STD.       | A           |                              | 0.44        | 11.10 | 0.63  | 15.88  | 1.53    | 38.86  | 1.25    | 31.75 |
|                            |                      | A          |             |                              |             |       |       |        | 2.53    | 64.26  |         |       |
|                            |                      | B          |             |                              |             |       |       |        | 3.53    | 89.66  |         |       |
|                            |                      | C          |             |                              |             |       |       |        | 4.53    | 115.06 |         |       |
|                            | 06                   | STD.       | A           |                              | 0.56        | 14.27 | 0.75  | 19.05  | 1.53    | 38.86  | 1.38    | 35.05 |
|                            |                      | A          |             |                              |             |       |       |        | 2.53    | 64.26  |         |       |
|                            |                      | B          |             |                              |             |       |       |        | 3.53    | 89.66  |         |       |
|                            |                      | C          |             |                              |             |       |       |        | 4.53    | 115.06 |         |       |
|                            | 07                   | STD.       | A           | 0.69                         | 17.45       | 0.88  | 22.23 | 1.53   | 38.86   | 1.50   | 38.10   |       |
|                            |                      | A          |             |                              |             |       |       | 2.53   | 64.26   |        |         |       |
|                            |                      | B          |             |                              |             |       |       | 3.53   | 89.66   |        |         |       |
|                            |                      | C          |             |                              |             |       |       | 4.53   | 115.06  |        |         |       |
|                            | 08                   | STD.       | A           | 0.81                         | 20.62       | 1.00  | 25.40 | 1.53   | 38.86   | 1.63   | 41.40   |       |
|                            |                      | A          |             |                              |             |       |       | 2.53   | 64.26   |        |         |       |
|                            |                      | B          |             |                              |             |       |       | 3.53   | 89.66   |        |         |       |
|                            |                      | C          |             |                              |             |       |       | 4.53   | 115.06  |        |         |       |
|                            | 09                   | STD.       | A           | 0.94                         | 23.80       | 1.13  | 28.58 | 1.53   | 38.86   | 1.75   | 44.45   |       |
|                            |                      | A          |             |                              |             |       |       | 2.53   | 64.26   |        |         |       |
|                            |                      | B          |             |                              |             |       |       | 3.53   | 89.66   |        |         |       |
|                            |                      | C          |             |                              |             |       |       | 4.53   | 115.06  |        |         |       |
| 10                         | STD.                 | A          | 1.06        | 26.97                        | 1.25        | 31.75 | 1.53  | 38.86  | 1.88    | 47.75  |         |       |
|                            | A                    |            |             |                              |             |       | 2.53  | 64.26  |         |        |         |       |
|                            | B                    |            |             |                              |             |       | 3.53  | 89.66  |         |        |         |       |
|                            | C                    |            |             |                              |             |       | 4.53  | 115.06 |         |        |         |       |

Note: For more cable entry and length options, email: [sales@backshellworld.com](mailto:sales@backshellworld.com)  
All dimensions for reference only.

38999

- III
- HD
- Dualok
- II
- I
- SJT
- Accessories
- Aquacon
- Herm/Seal
- PCB

- Fiber
- Optics
- Contacts
- High Speed

- EMI Filter
- Transient

- Matrix 2
- 26482

- Matrix I/Pyle
- III
- 83723

- Pyle
- 26500

- Crimp Rear Release Matrix
- 5015

- Class I
- 22992

- Backshells

- Options
- Others

### For Connector Family K

38999 Series II

38999 Series I

Connector Family "K", includes MIL-DTL-38999 Series II and Series I



**MIL Part Number**  
**M85049 / 17 10 W 03 A**

MIL Series: M85049  
 Slash Sheet: 17: Straight, Direct Coupling  
 Shell Size: See Table-A

Length: See Table-A (Omit for "STD")  
 Clamp Size: See Table-A  
 Finish: See Table-2 (pg. 486)

- 38999
- III
- HD
- Dualok
- II
- I
- SJT
- Accessories
- Aquacon
- Herm/Seal
- PCB
- High Speed
- Fiber Optics
- Contacts
- EMI Filter Transient
- 26482 Matrix 2
- 83723 III Matrix | Pyle
- 26500 Pyle
- 5015 Crimp Rear Release Matrix
- 22992 Class L
- Back-Shells
- Options Others

| MIL PART NUMBER DESIGNATOR |            | LENGTH | CONNECTOR SHELL SIZE SE - II/I | CABLE RANGE |       |      |       | L (MAX) |       | X (MAX) |       | Y (MAX) |       |       |
|----------------------------|------------|--------|--------------------------------|-------------|-------|------|-------|---------|-------|---------|-------|---------|-------|-------|
| ACCESSORY SHELL SIZE       | CLAMP SIZE |        |                                | MIN         |       | MAX  |       | INCH    | MM    | INCH    | MM    | INCH    | MM    |       |
|                            |            |        |                                | INCH        | MM    | INCH | MM    |         |       |         |       |         |       |       |
| 08                         | 01         | STD.   | 8 / 9                          | 0.06        | 1.57  | 0.13 | 3.18  | 1.53    | 38.86 | 1.25    | 31.75 | 0.78    | 19.81 |       |
|                            |            | A      |                                |             |       |      |       | 2.53    | 64.26 |         |       |         |       |       |
| 08                         | 02         | STD.   |                                | 0.13        | 3.18  | 0.25 | 6.35  | 1.53    | 38.86 | 1.25    | 31.75 | 0.97    | 24.64 |       |
|                            |            | A      |                                |             |       |      |       | 2.53    | 64.26 |         |       |         |       |       |
| 10                         | 01         | STD.   |                                | 10 / 11     | 0.06  | 1.57 | 0.13  | 3.18    | 1.53  | 38.86   | 1.25  | 31.75   | 0.78  | 19.81 |
|                            |            | A      |                                |             |       |      |       |         | 2.53  | 64.26   |       |         |       |       |
|                            |            | 2.53   | 64.26                          |             |       |      |       |         |       |         |       |         |       |       |
| 10                         | 02         | STD.   | 0.13                           |             | 3.18  | 0.25 | 6.35  | 1.53    | 38.86 | 1.25    | 31.75 | 0.97    | 24.64 |       |
|                            |            | A      |                                |             |       |      |       | 2.53    | 64.26 |         |       |         |       |       |
|                            |            | 2.53   |                                |             |       |      |       | 64.26   |       |         |       |         |       |       |
| 10                         | 03         | STD.   | 0.25                           | 6.35        | 0.38  | 9.53 | 1.53  | 38.86   | 1.25  | 31.75   | 1.06  | 26.92   |       |       |
|                            |            | A      |                                |             |       |      | 2.53  | 64.26   |       |         |       |         |       |       |
|                            |            | 2.53   |                                |             |       |      | 64.26 |         |       |         |       |         |       |       |
| 12                         | 02         | STD.   | 12 / 13                        | 0.13        | 3.18  | 0.25 | 6.35  | 1.53    | 38.86 | 1.25    | 31.75 | 0.97    | 24.64 |       |
|                            |            | A      |                                |             |       |      |       | 2.53    | 64.26 |         |       |         |       |       |
|                            | 03         | STD.   |                                | 0.25        | 6.35  | 0.38 | 9.53  | 1.53    | 38.86 | 1.25    | 31.75 | 1.06    | 26.92 |       |
|                            |            | A      |                                |             |       |      |       | 2.53    | 64.26 |         |       |         |       |       |
| 14                         | 02         | STD.   | 14 / 15                        | 0.13        | 3.18  | 0.25 | 6.35  | 1.53    | 38.86 | 1.25    | 31.75 | 0.97    | 24.64 |       |
|                            |            | A      |                                |             |       |      |       | 2.53    | 64.26 |         |       |         |       |       |
|                            | 03         | STD.   |                                | 0.25        | 6.35  | 0.38 | 9.53  | 1.53    | 38.86 | 1.25    | 31.75 | 1.06    | 26.92 |       |
|                            |            | A      |                                |             |       |      |       | 2.53    | 64.26 |         |       |         |       |       |
| 14                         | 04         | STD.   |                                | 0.38        | 9.53  | 0.50 | 12.70 | 1.53    | 38.86 | 1.25    | 31.75 | 1.16    | 29.46 |       |
|                            |            | A      |                                |             |       |      |       | 2.53    | 64.26 |         |       |         |       |       |
|                            | 05         | STD.   | 0.50                           |             | 12.70 | 0.63 | 15.88 | 1.53    | 38.86 | 1.31    | 33.27 | 1.25    | 31.75 |       |
|                            |            | A      |                                |             |       |      |       | 2.53    | 64.26 |         |       |         |       |       |
| 16                         | 02         | STD.   | 16 / 17                        | 0.13        | 3.18  | 0.25 | 6.35  | 1.53    | 38.86 | 1.25    | 31.75 | 0.97    | 24.64 |       |
|                            |            | A      |                                |             |       |      |       | 2.53    | 64.26 |         |       |         |       |       |
|                            |            | B      |                                |             |       |      |       | 3.53    | 89.66 |         |       |         |       |       |
|                            | 03         | STD.   |                                | 0.25        | 6.35  | 0.38 | 9.53  | 1.53    | 38.86 | 1.25    | 31.75 | 1.06    | 26.92 |       |
|                            |            | A      |                                |             |       |      |       | 2.53    | 64.26 |         |       |         |       |       |
|                            |            | B      |                                |             |       |      |       | 3.53    | 89.66 |         |       |         |       |       |
|                            | 04         | STD.   |                                | 0.38        | 9.53  | 0.50 | 12.70 | 1.53    | 38.86 | 1.25    | 31.75 | 1.16    | 29.46 |       |
|                            |            | A      |                                |             |       |      |       | 2.53    | 64.26 |         |       |         |       |       |
|                            |            | B      |                                |             |       |      |       | 3.53    | 89.66 |         |       |         |       |       |
|                            | 05         | STD.   |                                | 0.50        | 12.70 | 0.63 | 15.88 | 1.53    | 38.86 | 1.31    | 33.27 | 1.25    | 31.75 |       |
|                            |            | A      |                                |             |       |      |       | 2.53    | 64.26 |         |       |         |       |       |
|                            |            | B      |                                |             |       |      |       | 3.53    | 89.66 |         |       |         |       |       |
| 06                         | STD.       | 0.63   | 15.88                          | 0.75        | 19.05 | 1.53 | 38.86 | 1.38    | 35.05 | 1.38    | 35.05 |         |       |       |
|                            | A          |        |                                |             |       | 2.53 | 64.26 |         |       |         |       |         |       |       |
|                            | B          |        |                                |             |       | 3.53 | 89.66 |         |       |         |       |         |       |       |

Note: For more cable entry and length options, email: sales@backshellworld.com  
 All dimensions for reference only.

TABLE CONTINUES ON NEXT PAGE

### For Connector Family K

**38999 Series II**

**38999 Series I**

Connector Family "K", includes MIL-DTL-38999 Series II and Series I

TABLE - A, cont.

| MIL PART NUMBER DESIGNATOR |            | CONNECTOR SHELL SIZE SE - II/I | LENGTH | CABLE RANGE |       |      |       | L (MAX) |       | X (MAX) |       | Y (MAX) |       |      |       |
|----------------------------|------------|--------------------------------|--------|-------------|-------|------|-------|---------|-------|---------|-------|---------|-------|------|-------|
| ACCESSORY SHELL SIZE       | CLAMP SIZE |                                |        | MIN         |       | MAX  |       | INCH    | MM    | INCH    | MM    | INCH    | MM    |      |       |
|                            |            |                                |        | INCH        | MM    | INCH | MM    |         |       |         |       |         |       |      |       |
| 18                         | 03         | 18 / 19                        | STD.   | 0.25        | 6.35  | 0.38 | 9.53  | 1.53    | 38.86 | 1.25    | 31.75 | 1.06    | 26.92 |      |       |
|                            |            |                                | A      |             |       |      |       | 2.53    | 64.26 |         |       |         |       |      |       |
|                            |            |                                | B      |             |       |      |       | 3.53    | 89.66 |         |       |         |       |      |       |
|                            | 04         |                                | STD.   | 0.38        | 9.53  | 0.50 | 12.70 | 1.53    | 38.86 | 1.25    | 31.75 | 1.16    | 29.46 |      |       |
|                            |            |                                | A      |             |       |      |       | 2.53    | 64.26 |         |       |         |       |      |       |
|                            |            |                                | B      |             |       |      |       | 3.53    | 89.66 |         |       |         |       |      |       |
|                            | 05         |                                | STD.   | 0.50        | 12.70 | 0.63 | 15.88 | 1.53    | 38.86 | 1.31    | 33.27 | 1.25    | 31.75 |      |       |
|                            |            |                                | A      |             |       |      |       | 2.53    | 64.26 |         |       |         |       |      |       |
|                            |            |                                | B      |             |       |      |       | 3.53    | 89.66 |         |       |         |       |      |       |
|                            | 06         |                                | STD.   | 0.63        | 15.88 | 0.75 | 19.05 | 1.53    | 38.86 | 1.38    | 35.05 | 1.38    | 35.05 |      |       |
|                            |            |                                | A      |             |       |      |       | 2.53    | 64.26 |         |       |         |       |      |       |
|                            |            |                                | B      |             |       |      |       | 3.53    | 89.66 |         |       |         |       |      |       |
|                            | 07         |                                | STD.   | 0.75        | 19.05 | 0.88 | 22.23 | 1.53    | 38.86 | 1.50    | 38.10 | 1.50    | 38.10 |      |       |
|                            |            |                                | A      |             |       |      |       | 2.53    | 64.26 |         |       |         |       |      |       |
|                            |            |                                | B      |             |       |      |       | 3.53    | 89.66 |         |       |         |       |      |       |
| 20                         | 03         | 20 / 21                        | STD.   | 0.25        | 6.35  | 0.38 | 9.53  | 1.53    | 38.86 | 1.25    | 31.75 | 1.06    | 26.92 |      |       |
|                            |            |                                | A      |             |       |      |       | 2.53    | 64.26 |         |       |         |       |      |       |
|                            |            |                                | B      |             |       |      |       | 3.53    | 89.66 |         |       |         |       |      |       |
|                            | 04         |                                | STD.   | 0.38        | 9.53  | 0.50 | 12.70 | 1.53    | 38.86 | 1.25    | 31.75 | 1.16    | 29.46 |      |       |
|                            |            |                                | A      |             |       |      |       | 2.53    | 64.26 |         |       |         |       |      |       |
|                            |            |                                | B      |             |       |      |       | 3.53    | 89.66 |         |       |         |       |      |       |
|                            | 05         |                                | STD.   | 0.50        | 12.70 | 0.63 | 15.88 | 1.53    | 38.86 | 1.31    | 33.27 | 1.25    | 31.75 |      |       |
|                            |            |                                | A      |             |       |      |       | 2.53    | 64.26 |         |       |         |       |      |       |
|                            |            |                                | B      |             |       |      |       | 3.53    | 89.66 |         |       |         |       |      |       |
|                            | 06         |                                | STD.   | 0.63        | 15.88 | 0.75 | 19.05 | 1.53    | 38.86 | 1.38    | 35.05 | 1.38    | 35.05 |      |       |
|                            |            |                                | A      |             |       |      |       | 2.53    | 64.26 |         |       |         |       |      |       |
|                            |            |                                | B      |             |       |      |       | 3.53    | 89.66 |         |       |         |       |      |       |
|                            | 07         |                                | STD.   | 0.75        | 19.05 | 0.88 | 22.23 | 1.53    | 38.86 | 1.50    | 38.10 | 1.50    | 38.10 |      |       |
|                            |            |                                | A      |             |       |      |       | 2.53    | 64.26 |         |       |         |       |      |       |
|                            |            |                                | B      |             |       |      |       | 3.53    | 89.66 |         |       |         |       |      |       |
|                            | 08         |                                | STD.   | 0.88        | 22.23 | 1.00 | 25.40 | 1.53    | 38.86 | 1.63    | 41.40 | 1.63    | 41.40 |      |       |
|                            |            |                                | A      |             |       |      |       | 2.53    | 64.26 |         |       |         |       |      |       |
|                            |            |                                | B      |             |       |      |       | 3.53    | 89.66 |         |       |         |       |      |       |
|                            | 22         |                                | 03     | 22 / 23     | STD.  | 0.25 | 6.35  | 0.38    | 9.53  | 1.53    | 38.86 | 1.25    | 31.75 | 1.06 | 26.92 |
|                            |            |                                |        |             | A     |      |       |         |       | 2.53    | 64.26 |         |       |      |       |
|                            |            |                                |        |             | B     |      |       |         |       | 3.53    | 89.66 |         |       |      |       |
| 04                         |            | STD.                           | 0.38   |             | 9.53  | 0.50 | 12.70 | 1.53    | 38.86 | 1.25    | 31.75 | 1.16    | 29.46 |      |       |
|                            |            | A                              |        |             |       |      |       | 2.53    | 64.26 |         |       |         |       |      |       |
|                            |            | B                              |        |             |       |      |       | 3.53    | 89.66 |         |       |         |       |      |       |
| 05                         |            | STD.                           | 0.50   |             | 12.70 | 0.63 | 15.88 | 1.53    | 38.86 | 1.31    | 33.27 | 1.25    | 31.75 |      |       |
|                            |            | A                              |        |             |       |      |       | 2.53    | 64.26 |         |       |         |       |      |       |
|                            |            | B                              |        |             |       |      |       | 3.53    | 89.66 |         |       |         |       |      |       |
| 06                         |            | STD.                           | 0.63   |             | 15.88 | 0.75 | 19.05 | 1.53    | 38.86 | 1.38    | 35.05 | 1.38    | 35.05 |      |       |
|                            |            | A                              |        |             |       |      |       | 2.53    | 64.26 |         |       |         |       |      |       |
|                            |            | B                              |        |             |       |      |       | 3.53    | 89.66 |         |       |         |       |      |       |

Note: For more cable entry and length options, email: sales@backshellworld.com  
All dimensions for reference only.

TABLE CONTINUES ON NEXT PAGE

38999

- III
- HD
- Dualok
- II
- I
- SJT
- Accessories
- Aquacon
- Herm/Seal
- PCB

- Fiber
- Optics
- High Speed
- Contacts

- EMI Filter
- Transient

- Matrix 2
- 26482

- Matrix I/Pyle
- III
- 83723

- Pyle
- 26500

- Crimp Rear Release Matrix
- 5015

- Class I
- 22992

- Backshells

- Options
- Others

### For Connector Family K

**38999 Series II**

**38999 Series I**

Connector Family "K", includes MIL-DTL-38999 Series II and Series I

| TABLE - A, cont.           |            |                                  |        |             |       |      |        |         |        |         |       |         |       |
|----------------------------|------------|----------------------------------|--------|-------------|-------|------|--------|---------|--------|---------|-------|---------|-------|
| MIL PART NUMBER DESIGNATOR |            | CONNECTOR SHELL SIZE SE - II / I | LENGTH | CABLE RANGE |       |      |        | L (MAX) |        | X (MAX) |       | Y (MAX) |       |
| ACCESSORY SHELL SIZE       | CLAMP SIZE |                                  |        | MIN         |       | MAX  |        | INCH    | MM     | INCH    | MM    | INCH    | MM    |
|                            |            |                                  |        | INCH        | MM    | INCH | MM     |         |        |         |       |         |       |
| 22, cont.                  | 07         | 22 / 23                          | STD.   | 0.75        | 19.05 | 0.88 | 22.23  | 1.53    | 38.86  | 1.50    | 38.10 | 1.50    | 38.10 |
|                            |            |                                  | A      |             |       |      |        | 2.53    | 64.26  |         |       |         |       |
|                            |            |                                  | B      |             |       |      |        | 3.53    | 89.66  |         |       |         |       |
|                            |            |                                  | C      |             |       |      |        | 4.53    | 115.06 |         |       |         |       |
|                            | 08         |                                  | STD.   | 0.88        | 22.23 | 1.00 | 25.40  | 1.53    | 38.86  | 1.63    | 41.40 | 1.63    | 41.40 |
|                            |            |                                  | A      |             |       |      |        | 2.53    | 64.26  |         |       |         |       |
|                            |            |                                  | B      |             |       |      |        | 3.53    | 89.66  |         |       |         |       |
|                            |            |                                  | C      |             |       |      |        | 4.53    | 115.06 |         |       |         |       |
|                            | 09         |                                  | STD.   | 1.00        | 25.40 | 1.13 | 28.58  | 1.53    | 38.86  | 1.63    | 41.40 | 1.75    | 44.45 |
|                            |            |                                  | A      |             |       |      |        | 2.53    | 64.26  |         |       |         |       |
|                            |            |                                  | B      |             |       |      |        | 3.53    | 89.66  |         |       |         |       |
|                            |            |                                  | C      |             |       |      |        | 4.53    | 115.06 |         |       |         |       |
| 24                         | 04         | 24 / 25                          | STD.   | 0.38        | 9.53  | 0.50 | 12.70  | 1.53    | 38.86  | 1.25    | 31.75 | 1.16    | 29.46 |
|                            |            |                                  | A      |             |       |      |        | 2.53    | 64.26  |         |       |         |       |
|                            |            |                                  | B      |             |       |      |        | 3.53    | 89.66  |         |       |         |       |
|                            |            |                                  | C      |             |       |      |        | 4.53    | 115.06 |         |       |         |       |
|                            | 05         |                                  | STD.   | 0.50        | 12.70 | 0.63 | 15.88  | 1.53    | 38.86  | 1.31    | 33.27 | 1.25    | 31.75 |
|                            |            |                                  | A      |             |       |      |        | 2.53    | 64.26  |         |       |         |       |
|                            |            |                                  | B      |             |       |      |        | 3.53    | 89.66  |         |       |         |       |
|                            |            |                                  | C      |             |       |      |        | 4.53    | 115.06 |         |       |         |       |
|                            | 06         |                                  | STD.   | 0.63        | 15.88 | 0.75 | 19.05  | 1.53    | 38.86  | 1.38    | 35.05 | 1.38    | 35.05 |
|                            |            |                                  | A      |             |       |      |        | 2.53    | 64.26  |         |       |         |       |
|                            |            |                                  | B      |             |       |      |        | 3.53    | 89.66  |         |       |         |       |
|                            |            |                                  | C      |             |       |      |        | 4.53    | 115.06 |         |       |         |       |
|                            | 07         |                                  | STD.   | 0.75        | 19.05 | 0.88 | 22.23  | 1.53    | 38.86  | 1.50    | 38.10 | 1.50    | 38.10 |
|                            |            |                                  | A      |             |       |      |        | 2.53    | 64.26  |         |       |         |       |
|                            |            |                                  | B      |             |       |      |        | 3.53    | 89.66  |         |       |         |       |
|                            |            |                                  | C      |             |       |      |        | 4.53    | 115.06 |         |       |         |       |
|                            | 08         |                                  | STD.   | 0.88        | 22.23 | 1.00 | 25.40  | 1.53    | 38.86  | 1.63    | 41.40 | 1.63    | 41.40 |
|                            |            |                                  | A      |             |       |      |        | 2.53    | 64.26  |         |       |         |       |
|                            |            |                                  | B      |             |       |      |        | 3.53    | 89.66  |         |       |         |       |
|                            |            |                                  | C      |             |       |      |        | 4.53    | 115.06 |         |       |         |       |
| 09                         | STD.       | 1.00                             | 25.40  | 1.13        | 28.58 | 1.53 | 38.86  | 1.63    | 41.40  | 1.75    | 44.45 |         |       |
|                            | A          |                                  |        |             |       | 2.53 | 64.26  |         |        |         |       |         |       |
|                            | B          |                                  |        |             |       | 3.53 | 89.66  |         |        |         |       |         |       |
|                            | C          |                                  |        |             |       | 4.53 | 115.06 |         |        |         |       |         |       |
| 10                         | STD.       | 1.13                             | 28.58  | 1.25        | 31.75 | 1.53 | 38.86  | 1.63    | 41.40  | 1.88    | 47.75 |         |       |
|                            | A          |                                  |        |             |       | 2.53 | 64.26  |         |        |         |       |         |       |
|                            | B          |                                  |        |             |       | 3.53 | 89.66  |         |        |         |       |         |       |
|                            | C          |                                  |        |             |       | 4.53 | 115.06 |         |        |         |       |         |       |

Note: For more cable entry and length options, email: [sales@backshellworld.com](mailto:sales@backshellworld.com)  
All dimensions for reference only.

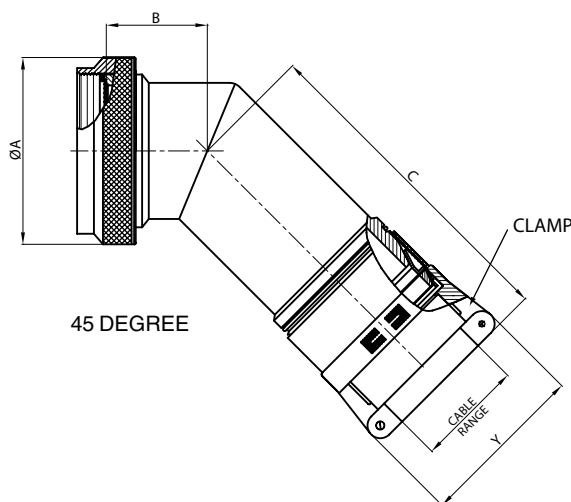
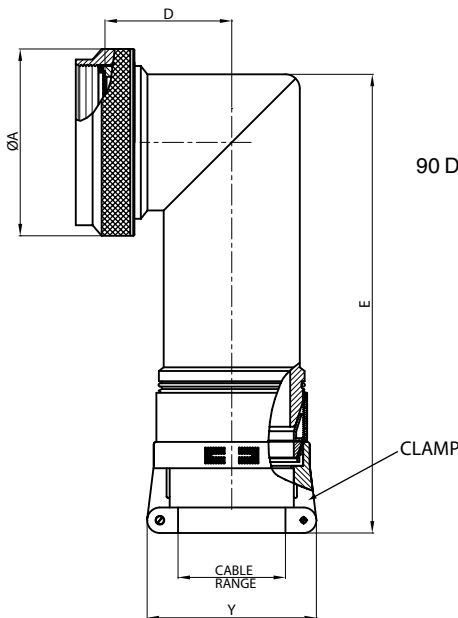
- 38999
- III
- HD
- Dualok
- II
- I
- SJT
- Accessories
- Aquacon
- Herm/Seal
- PCB
- High Speed
- Fiber Optics
- Contacts
- EMI Filter Transient
- 26482
- Matrix 2
- 83723
- III
- Matrix | Pyle
- 26500
- Pyle
- 5015
- Crimp Rear Release Matrix
- 22992
- Class L
- Back-Shells
- Options Others

### For Connector Family K

**38999 Series II**

**38999 Series I**

Connector Family "K", includes MIL-DTL-38999 Series II and Series I



**MIL Part Number**

**M85049 / 76 10 W 01**

MIL Series: M85049 / 76  
 Slash Sheet: 10  
 Shell Size: W  
 Clamp Size: 01

76: 90° Spin Coupling  
 77: 45° Spin Coupling

Finish: See Table-2 (pg. 486)

**TABLE - B**

| MIL PART NUMBER DESIGNATOR |            | CONNECTOR SHELL SIZE SE - II / I | CABLE RANGE |       |      |       | A DIA. (MAX) |       | B (MAX) |       | C (MAX) |       | D (MAX) |       | E (MAX) |       | Y (MAX) |       |
|----------------------------|------------|----------------------------------|-------------|-------|------|-------|--------------|-------|---------|-------|---------|-------|---------|-------|---------|-------|---------|-------|
| ACCESSORY SHELL SIZE       | CLAMP SIZE |                                  | MIN         |       | MAX  |       | INCH         | MM    | INCH    | MM    | INCH    | MM    | INCH    | MM    | INCH    | MM    | INCH    | MM    |
|                            |            |                                  | INCH        | MM    | INCH | MM    |              |       |         |       |         |       |         |       |         |       |         |       |
| 08                         | 01         | 8 / 9                            | 0.06        | 1.57  | 0.13 | 3.18  | 0.75         | 19.05 | 0.46    | 11.68 | 3.15    | 80.01 | 0.69    | 17.53 | 3.46    | 87.88 | 0.80    | 20.32 |
|                            | 02         |                                  | 0.13        | 3.18  | 0.25 | 6.35  |              |       |         |       |         |       |         |       |         |       | 1.00    | 25.40 |
| 10                         | 01         | 10 / 11                          | 0.06        | 1.57  | 0.13 | 3.18  | 0.85         | 21.59 | 0.52    | 13.21 | 3.21    | 81.53 | 0.78    | 19.81 | 3.58    | 90.93 | 0.80    | 20.32 |
|                            | 02         |                                  | 0.13        | 3.18  | 0.25 | 6.35  |              |       |         |       |         |       |         |       |         |       | 1.00    | 25.40 |
|                            | 03         |                                  | 0.25        | 6.35  | 0.38 | 9.53  |              |       |         |       |         |       |         |       |         |       | 1.10    | 27.94 |
| 12                         | 02         | 12 / 13                          | 0.13        | 3.18  | 0.25 | 6.35  | 1.00         | 25.40 | 0.58    | 14.73 | 3.27    | 83.06 | 0.80    | 20.32 | 3.60    | 91.44 | 1.10    | 27.94 |
|                            | 03         |                                  | 0.25        | 6.35  | 0.38 | 9.53  |              |       |         |       |         |       |         |       |         |       | 1.20    | 30.48 |
|                            | 04         |                                  | 0.38        | 9.53  | 0.50 | 12.70 |              |       |         |       |         |       |         |       |         |       | 1.25    | 31.75 |
| 14                         | 02         | 14 / 15                          | 0.13        | 3.18  | 0.25 | 6.35  | 1.15         | 29.21 | 0.65    | 16.51 | 3.36    | 85.34 | 0.88    | 22.35 | 3.67    | 93.22 | 1.00    | 25.40 |
|                            | 03         |                                  | 0.25        | 6.35  | 0.38 | 9.53  |              |       |         |       |         |       |         |       |         |       | 1.10    | 27.94 |
|                            | 04         |                                  | 0.38        | 9.53  | 0.50 | 12.70 |              |       |         |       |         |       |         |       |         |       | 1.20    | 30.48 |
|                            | 05         |                                  | 0.50        | 12.70 | 0.63 | 15.88 |              |       |         |       |         |       |         |       |         |       | 1.25    | 31.75 |
| 16                         | 02         | 16 / 17                          | 0.13        | 3.18  | 0.25 | 6.35  | 1.25         | 31.75 | 0.74    | 18.80 | 3.47    | 88.14 | 0.93    | 23.62 | 3.76    | 95.50 | 1.00    | 25.40 |
|                            | 03         |                                  | 0.25        | 6.35  | 0.38 | 9.53  |              |       |         |       |         |       |         |       |         |       | 1.10    | 27.94 |
|                            | 04         |                                  | 0.38        | 9.53  | 0.50 | 12.70 |              |       |         |       |         |       |         |       |         |       | 1.20    | 30.48 |
|                            | 05         |                                  | 0.50        | 12.70 | 0.63 | 15.88 |              |       |         |       |         |       |         |       |         |       | 1.25    | 31.75 |
|                            | 06         |                                  | 0.63        | 15.88 | 0.75 | 19.05 |              |       |         |       |         |       |         |       |         |       | 1.40    | 35.56 |
| 18                         | 03         | 18 / 19                          | 0.25        | 6.35  | 0.38 | 9.53  | 1.40         | 35.56 | 0.93    | 23.62 | 3.66    | 92.96 | 1.01    | 25.65 | 3.93    | 99.82 | 1.10    | 27.94 |
|                            | 04         |                                  | 0.38        | 9.53  | 0.50 | 12.70 |              |       |         |       |         |       |         |       |         |       | 1.20    | 30.48 |
|                            | 05         |                                  | 0.50        | 12.70 | 0.63 | 15.88 |              |       |         |       |         |       |         |       |         |       | 1.25    | 31.75 |
|                            | 06         |                                  | 0.63        | 15.88 | 0.75 | 19.05 |              |       |         |       |         |       |         |       |         |       | 1.40    | 35.56 |
|                            | 07         |                                  | 0.75        | 19.05 | 0.88 | 22.23 |              |       |         |       |         |       |         |       |         |       | 1.50    | 38.10 |

Note: For more cable entry and length options, email: [sales@backshellworld.com](mailto:sales@backshellworld.com)  
 All dimensions for reference only.

TABLE CONTINUES ON NEXT PAGE

**38999**

- III
- HD
- Dualok
- II
- I
- SJT
- Accessories
- Aquacon
- Herm/Seal
- PCB
- Fiber Optics
- High Speed
- Contacts
- EMI Filter
- Transient
- Matrix 2
- 26482
- Matrix 1/Pyle
- 83723
- III
- 26500
- Pyle
- 5015
- Crimp Rear Release Matrix
- 22992
- Class 1
- Back-Shell
- Options
- Others



### For Connector Family K

**38999 Series II**

**38999 Series I**

Connector Family "K", includes MIL-DTL-38999 Series II and Series I

38999

III

HD

Dualok

II

I

SJT

Accessories

Aquacon

Herm/Seal

PCB

High Speed  
Fiber Optics  
Contacts

EMI Filter  
Transient

26482  
Matrix 2

83723  
III  
Matrix | Pyle

26500  
Pyle

5015  
Crimp Rear  
Release  
Matrix

22992  
Class L

Back-  
Shells

Options  
Others

TABLE - B

| MIL PART NUMBER DESIGNATOR |            | CONNECTOR SHELL SIZE SE - II / I | CABLE RANGE |       |       |       | A DIA. (MAX) |       | B (MAX) |       | C (MAX) |       | D (MAX) |       | E (MAX) |        | Y (MAX) |       |
|----------------------------|------------|----------------------------------|-------------|-------|-------|-------|--------------|-------|---------|-------|---------|-------|---------|-------|---------|--------|---------|-------|
| ACCESSORY SHELL SIZE       | CLAMP SIZE |                                  | MIN         |       | MAX   |       | INCH         | MM    | INCH    | MM    | INCH    | MM    | INCH    | MM    | INCH    | MM     | INCH    | MM    |
|                            |            |                                  | INCH        | MM    | INCH  | MM    |              |       |         |       |         |       |         |       |         |        |         |       |
| 20                         | 03         | 20 / 21                          | 0.25        | 6.35  | 0.38  | 9.53  | 1.55         | 39.37 | 0.93    | 23.62 | 3.66    | 92.96 | 1.06    | 26.92 | 3.93    | 99.82  | 1.10    | 27.94 |
|                            | 04         |                                  | 0.38        | 9.53  | 0.50  | 12.70 |              |       |         |       |         |       |         |       |         |        | 1.20    | 30.48 |
|                            | 05         |                                  | 0.50        | 12.70 | 0.63  | 15.88 |              |       |         |       |         |       |         |       |         |        | 1.25    | 31.75 |
|                            | 06         |                                  | 0.63        | 15.88 | 0.75  | 19.05 |              |       |         |       |         |       |         |       |         |        | 1.40    | 35.56 |
|                            | 07         |                                  | 0.75        | 19.05 | 0.88  | 22.23 |              |       |         |       |         |       |         |       |         |        | 1.50    | 38.10 |
|                            | 08         |                                  | 0.88        | 22.23 | 1.00  | 25.40 |              |       |         |       |         |       |         |       |         |        | 1.65    | 41.91 |
| 22                         | 03         | 22 / 23                          | 0.25        | 6.35  | 0.38  | 9.53  | 1.65         | 41.91 | 1.02    | 25.91 | 3.81    | 96.77 | 1.17    | 29.72 | 4.04    | 102.62 | 1.10    | 27.94 |
|                            | 04         |                                  | 0.38        | 9.53  | 0.50  | 12.70 |              |       |         |       |         |       |         |       |         |        | 1.20    | 30.48 |
|                            | 05         |                                  | 0.50        | 12.70 | 0.63  | 15.88 |              |       |         |       |         |       |         |       |         |        | 1.25    | 31.75 |
|                            | 06         |                                  | 0.63        | 15.88 | 0.75  | 19.05 |              |       |         |       |         |       |         |       |         |        | 1.40    | 35.56 |
|                            | 07         |                                  | 0.75        | 19.05 | 0.88  | 22.23 |              |       |         |       |         |       |         |       |         |        | 1.50    | 38.10 |
|                            | 08         |                                  | 0.88        | 22.23 | 1.00  | 25.40 |              |       |         |       |         |       |         |       |         |        | 1.65    | 41.91 |
| 24                         | 04         | 24 / 25                          | 0.38        | 9.53  | 0.50  | 12.70 | 1.85         | 46.99 | 1.02    | 25.91 | 3.81    | 96.77 | 1.18    | 29.97 | 4.04    | 102.62 | 1.75    | 44.45 |
|                            | 05         |                                  | 0.50        | 12.70 | 0.63  | 15.88 |              |       |         |       |         |       |         |       |         |        | 1.20    | 30.48 |
|                            | 06         |                                  | 0.63        | 15.88 | 0.75  | 19.05 |              |       |         |       |         |       |         |       |         |        | 1.40    | 35.56 |
|                            | 07         |                                  | 0.75        | 19.05 | 0.88  | 22.23 |              |       |         |       |         |       |         |       |         |        | 1.50    | 38.10 |
|                            | 08         |                                  | 0.88        | 22.23 | 1.00  | 25.40 |              |       |         |       |         |       |         |       |         |        | 1.65    | 41.91 |
|                            | 09         |                                  | 1.00        | 25.40 | 1.13  | 28.58 |              |       |         |       |         |       |         |       |         |        | 1.75    | 44.45 |
|                            | 10         | 1.13                             | 28.58       | 1.25  | 31.75 | 1.90  | 48.26        |       |         |       |         |       |         |       |         |        |         |       |

Note: For more cable entry and length options, email: [sales@backshellworld.com](mailto:sales@backshellworld.com)  
All dimensions for reference only.

## Shrink Boot Adapter Straight Spin Coupling

### For Connector Family K

38999 Series II

38999 Series I

Connector Family "K", includes MIL-DTL-38999 Series II and Series I



**MIL Part Number**

**M85049 / 62 10 W D**

MIL Series: M85049 / 62  
 Slash Sheet: 10 (62: Straight, Spin Coupling)  
 Finish: W (See Table-2 (pg. 486))  
 Drain hole Option: D (See Table-A)

| MIL PART NUMBER DESIGNATOR | CONNECTOR SHELL SIZE SE - II / I | A DIA. (MAX) |       | B (MAX) |       | C DIA. (MIN) |       | D DIA. (MAX) |       |
|----------------------------|----------------------------------|--------------|-------|---------|-------|--------------|-------|--------------|-------|
|                            |                                  | INCH         | MM    | INCH    | MM    | INCH         | MM    | INCH         | MM    |
| DASH NO. 08                | 8 / 9                            | 0.75         | 19.05 | 1.00    | 25.40 | 0.25         | 6.35  | 0.53         | 13.54 |
| 10                         | 10 / 11                          | 0.85         | 21.59 | 1.00    | 25.40 | 0.38         | 9.53  | 0.61         | 15.37 |
| 12                         | 12 / 13                          | 1.00         | 25.40 | 1.00    | 25.40 | 0.50         | 12.70 | 0.77         | 19.66 |
| 14                         | 14 / 15                          | 1.10         | 27.94 | 1.00    | 25.40 | 0.63         | 15.88 | 0.84         | 21.29 |
| 16                         | 16 / 17                          | 1.25         | 31.75 | 1.00    | 25.40 | 0.75         | 19.05 | 0.94         | 23.77 |
| 18                         | 18 / 19                          | 1.40         | 35.56 | 1.00    | 25.40 | 0.81         | 20.62 | 1.04         | 26.47 |
| 20                         | 20 / 21                          | 1.50         | 38.10 | 1.00    | 25.40 | 0.94         | 23.80 | 1.22         | 30.91 |
| 22                         | 22 / 23                          | 1.65         | 41.91 | 1.00    | 25.40 | 1.06         | 26.97 | 1.36         | 34.42 |
| 24                         | 24 / 25                          | 1.75         | 44.45 | 1.00    | 25.40 | 1.19         | 30.18 | 1.44         | 36.65 |

Note: For more cable entry and length options, email: sales@backshellworld.com  
 All dimensions for reference only.

38999

III

HD

Dualok

II

I

SJT

Accessories

Aquacon

Herm/Seal

PCB

Fiber

Optics

High Speed

Contacts

EMI Filter

Transient

Matrix 2

26482

Matrix I Pyle

III

83723

Pyle

26500

Matrix

5015

Crimp Rear Release Matrix

Class I

22992

Back-

Shells

Options

Others

38999 Series II

38999 Series I

Connector Family "K", includes MIL-DTL-38999 Series II and Series I



**MIL Part Number**

**M85049 / 33 -2 -10 W**

MIL Series: M85049 / 33  
 Slash Sheet: 33: Straight, Spin Coupling  
 Finish: See Table-2 (pg. 486)  
 Dash Number: See Table-A  
 Adapter without Crimp Ring

Refer to page 544 for ordering details of ring.

| MIL PART NUMBER DESIGNATOR | CONNECTOR SHELL SIZE SE - II/I | A DIA.(MAX) |       | B (MAX) |       | C DIA.(MAX) |       | D DIA.(MAX) |       |
|----------------------------|--------------------------------|-------------|-------|---------|-------|-------------|-------|-------------|-------|
|                            |                                | INCH        | MM    | INCH    | MM    | INCH        | MM    | INCH        | MM    |
| DASH NO                    |                                |             |       |         |       |             |       |             |       |
| 08                         | 8 / 9                          | 0.75        | 19.05 | 1.14    | 28.96 | 0.27        | 6.86  | 0.35        | 8.89  |
| 10                         | 10 / 11                        | 0.85        | 21.59 | 1.14    | 28.96 | 0.34        | 8.64  | 0.50        | 12.70 |
| 12                         | 12 / 13                        | 1.00        | 25.40 | 1.14    | 28.96 | 0.44        | 11.18 | 0.51        | 12.95 |
| 14                         | 14 / 15                        | 1.10        | 27.94 | 1.14    | 28.96 | 0.56        | 14.22 | 0.63        | 16.00 |
| 16                         | 16 / 17                        | 1.25        | 31.75 | 1.14    | 28.96 | 0.69        | 17.53 | 0.76        | 19.30 |
| 18                         | 18 / 19                        | 1.40        | 35.56 | 1.14    | 28.96 | 0.80        | 20.32 | 0.89        | 22.61 |
| 20                         | 20 / 21                        | 1.50        | 38.10 | 1.14    | 28.96 | 0.93        | 23.62 | 1.01        | 25.65 |
| 22                         | 22 / 23                        | 1.65        | 41.91 | 1.14    | 28.96 | 1.05        | 26.67 | 1.13        | 28.70 |
| 24                         | 24 / 25                        | 1.75        | 44.45 | 1.14    | 28.96 | 1.13        | 28.70 | 1.20        | 30.48 |

Note: For more cable entry and length options, email: [sales@backshellworld.com](mailto:sales@backshellworld.com)  
 All dimensions for reference only.

- 38999
- III
- HD
- Dualok
- II
- I
- SJT
- Accessories
- Aquacon
- Herm/Seal
- PCB
- High Speed
- Fiber Optics
- Contacts
- EMI Filter Transient
- 26482 Matrix 2
- 83723 III Matrix | Pyle
- 26500 Pyle
- 5015 Crimp Rear Release Matrix
- 22992 Class L
- Back-Shells
- Options Others

## Band Lock Adapter Straight, 90° and 45° Self-Lock

For Connector Family K

38999 Series II

38999 Series I

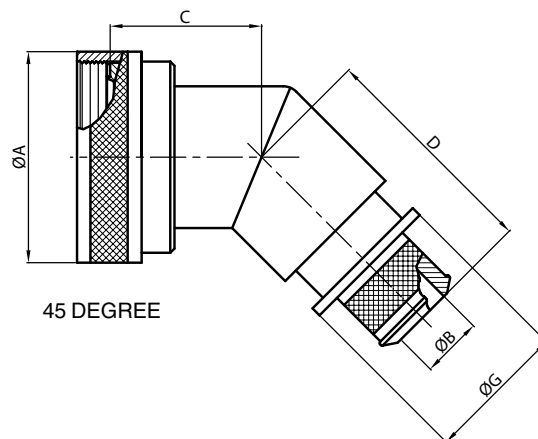
Connector Family "K", includes MIL-DTL-38999 Series II and Series I



STRAIGHT



90 DEGREE



45 DEGREE

### MIL Part Number

**M85049 / 85 -10 W 02**

MIL Series: **M85049**  
 Slash Sheet: **85**  
 Entry Size: **-10**  
 Finish: **W**  
 Shell Size: **02**

Entry Size: See Table-A  
 Finish: See Table-2 (pg. 486)  
 Shell Size: See Table-A

TABLE-A

| MIL PART NUMBER DESIGNATOR |            | CONNECTOR SHELL SIZE SE - II / I | A DIA. (MAX) |       | B DIA. (MAX) |       | C (MAX) |       | D (MAX) |       | E (MAX) |       | F (MAX.) |       | G MAX |       |
|----------------------------|------------|----------------------------------|--------------|-------|--------------|-------|---------|-------|---------|-------|---------|-------|----------|-------|-------|-------|
| ACCESSORY SHELL SIZE       | ENTRY SIZE |                                  | INCH         | MM    | +0.00        | +0.00 | INCH    | MM    | INCH    | MM    | INCH    | MM    | INCH     | MM    | INCH  | MM    |
|                            |            |                                  |              |       | -0.02        | -0.50 |         |       |         |       |         |       |          |       |       |       |
| 08                         | 03         | 8 / 9                            | 0.86         | 21.82 | 0.26         | 6.60  | 0.87    | 22.10 | 1.16    | 29.46 | 1.38    | 34.93 | 1.42     | 35.99 | 0.56  | 14.22 |
| 10                         | 03         | 10 / 11                          | 0.99         | 25.04 | 0.32         | 8.13  | 0.90    | 22.86 | 1.19    | 30.23 | 1.44    | 36.50 | 1.48     | 37.59 | 0.63  | 16.00 |
| 12                         | 02         | 12 / 13                          | 1.16         | 29.36 | 0.32         | 8.13  | 0.92    | 23.37 | 1.21    | 30.73 | 1.56    | 39.67 | 1.55     | 39.45 | 0.63  | 16.00 |
|                            | 03         |                                  |              |       | 0.45         | 11.43 |         |       |         |       |         |       |          |       | 0.75  | 19.05 |
| 14                         | 02         | 14 / 15                          | 1.28         | 32.54 | 0.45         | 11.43 | 0.95    | 24.13 | 1.24    | 31.50 | 1.69    | 42.85 | 1.61     | 41.00 | 0.75  | 19.05 |
|                            | 03         |                                  |              |       | 0.57         | 14.48 |         |       |         |       |         |       |          |       | 0.89  | 22.61 |
| 16                         | 02         | 16 / 17                          | 1.41         | 35.71 | 0.51         | 12.95 | 0.98    | 24.89 | 1.26    | 32.00 | 1.75    | 44.45 | 1.68     | 42.62 | 0.82  | 20.83 |
|                            | 03         |                                  |              |       | 0.64         | 16.26 |         |       |         |       |         |       |          |       | 0.95  | 24.13 |
| 18                         | 02         | 18 / 19                          | 1.52         | 38.51 | 0.64         | 16.26 | 0.98    | 24.89 | 1.27    | 32.26 | 1.88    | 47.63 | 1.73     | 44.02 | 0.95  | 24.13 |
|                            | 03         |                                  |              |       | 0.76         | 19.30 |         |       |         |       |         |       |          |       | 1.07  | 27.18 |
| 20                         | 02         | 20 / 21                          | 1.64         | 41.68 | 0.64         | 16.26 | 1.01    | 25.65 | 1.30    | 33.02 | 1.94    | 49.23 | 1.80     | 45.62 | 0.95  | 24.13 |
|                            | 03         |                                  |              |       | 0.82         | 20.83 |         |       |         |       |         |       |          |       | 1.13  | 28.07 |
| 22                         | 02         | 22 / 23                          | 1.77         | 44.86 | 0.70         | 17.78 | 1.04    | 26.42 | 1.33    | 33.78 | 2.06    | 52.37 | 1.86     | 47.22 | 1.02  | 25.99 |
|                            | 03         |                                  |              |       | 0.95         | 24.13 |         |       |         |       |         |       |          |       | 1.26  | 32.00 |
| 24                         | 02         | 24 / 25                          | 1.89         | 48.03 | 0.76         | 19.30 | 1.07    | 27.18 | 1.35    | 34.29 | 2.13    | 53.98 | 1.92     | 48.74 | 1.07  | 27.18 |
|                            | 03         |                                  |              |       | 1.01         | 25.65 |         |       |         |       |         |       |          |       | 1.32  | 33.53 |

Note: For more cable entry and length options, email: sales@backshellworld.com  
 All dimensions for reference only.

38999

III

HD

Dualok

II

I

SJT

Accessories

Aquacon

Herm/Seal

PCB

Fiber

Optics

Contacts

High Speed

EMI Filter

Transient

Matrix 2

Matrix Pyle

III

83723

26482

26500

Pyle

5015

Crimp Rear Release Matrix

22992

Class I

Backshells

Options

Others

### For Connector Family K

38999 Series II

38999 Series I

Connector Family "K", includes MIL-DTL-38999 Series II and Series I



#### MIL Part Number

**M85049 / 112 - 10 T W 03 -6 D**



| MIL PART NUMBER DESIGNATOR |                      |     | CONNECTOR SHELL SIZE SE - II / I | A DIA. (MAX) |       | H (MAX) |       | J (MAX) |       |
|----------------------------|----------------------|-----|----------------------------------|--------------|-------|---------|-------|---------|-------|
| ACCESSORY SHELL SIZE       | ALLOWABLE ENTRY SIZE |     |                                  | INCH         | MM    | INCH    | MM    | INCH    | MM    |
|                            |                      | MIN | MAX                              |              |       |         |       |         |       |
| 08                         | -                    | 01  | 8/9                              | 0.860        | 21.84 | 1.73    | 43.94 | 1.07    | 27.18 |
| 10                         | 01                   | 03  | 10/11                            | 0.980        | 24.89 | 1.85    | 46.99 | 1.19    | 30.23 |
| 12                         | 01                   | 05  | 12/13                            | 1.160        | 29.46 | 1.87    | 47.50 | 1.32    | 33.53 |
| 14                         | 03                   | 07  | 14/15                            | 1.280        | 32.51 | 1.94    | 49.28 | 1.44    | 36.58 |
| 16                         | 05                   | 09  | 16/17                            | 1.410        | 35.81 | 2.03    | 51.56 | 1.57    | 39.88 |
| 18                         | 06                   | 10  | 18/19                            | 1.520        | 38.61 | 2.20    | 55.88 | 1.75    | 44.45 |
| 20                         | 08                   | 12  | 20/21                            | 1.640        | 41.66 | 2.20    | 55.88 | 1.75    | 44.45 |
| 22                         | 09                   | 13  | 22/23                            | 1.770        | 44.96 | 2.31    | 58.67 | 2.00    | 50.80 |
| 24                         | 10                   | 14  | 24/25                            | 1.890        | 48.01 | 2.31    | 58.67 | 2.00    | 50.80 |

| ENTRY SIZE | W      | W      | Y      | Y      | Z    | Z     |
|------------|--------|--------|--------|--------|------|-------|
|            | ±0.020 | ±0.508 | +0.008 | +0.200 | MAX  | MAX   |
|            | INCH   | MM     | -0.000 | -0.000 | INCH | MM    |
| 01         | 0.250  | 6.350  | 0.044  | 1.12   | 0.56 | 14.22 |
| 02         | 0.312  | 7.920  | 0.044  | 1.12   | 0.63 | 16.00 |
| 03         | 0.375  | 9.530  | 0.044  | 1.12   | 0.69 | 17.53 |
| 04         | 0.438  | 11.130 | 0.044  | 1.12   | 0.75 | 19.05 |
| 05         | 0.500  | 12.700 | 0.044  | 1.12   | 0.82 | 20.83 |
| 06         | 0.562  | 14.270 | 0.044  | 1.12   | 0.89 | 22.61 |
| 07         | 0.625  | 15.880 | 0.044  | 1.12   | 0.95 | 24.13 |
| 08         | 0.688  | 17.480 | 0.044  | 1.12   | 1.02 | 25.91 |
| 09         | 0.750  | 19.050 | 0.069  | 1.75   | 1.07 | 27.18 |
| 10         | 0.812  | 20.620 | 0.069  | 1.75   | 1.13 | 28.70 |
| 11         | 0.875  | 22.230 | 0.069  | 1.75   | 1.19 | 30.23 |
| 12         | 0.938  | 23.830 | 0.069  | 1.75   | 1.26 | 32.00 |
| 13         | 1.000  | 25.400 | 0.069  | 1.75   | 1.32 | 33.53 |
| 14         | 1.125  | 28.575 | 0.069  | 1.75   | 1.47 | 37.34 |

Note: For more cable entry and length options, email: [sales@backshellworld.com](mailto:sales@backshellworld.com)  
All dimensions for reference only.

## Quick Clamp

### Straight, 90° and 45° Self-Lock/Non Self-Lock

### For Connector Family K

38999 Series II

38999 Series I

Connector Family "K", includes MIL-DTL-38999 Series II and Series I



**MIL Part Number**  
**M85049 / 56 - 10 W**

MIL Series: M85049 / 56  
 Slash Sheet: 56: Straight, 63: 90°, 57: 45°  
 Finish: See Table-2 (pg. 486)  
 Dash Number: See Table-A  
 Coupling: S: Self-Lock (only for 90° and 45°), G: Self-Lock with grounding Lug (only for 90° and 45°), -: Non Self-Lock

**TABLE - A**

| MIL PART NUMBER DESIGNATOR | CONNECTOR SHELL SIZE SE - II / I | A DIA.(MAX) |       | B (MAX) |       | C (MAX) |       | D (MAX) |       | E (MAX) |       | F DIA.(MAX) |       | CABLE ENTRY MAX |       |
|----------------------------|----------------------------------|-------------|-------|---------|-------|---------|-------|---------|-------|---------|-------|-------------|-------|-----------------|-------|
|                            |                                  | INCH        | MM    | INCH    | MM    | INCH    | MM    | INCH    | MM    | INCH    | MM    | INCH        | MM    | INCH            | MM    |
| 8                          | 8 / 9                            | 0.66        | 16.69 | 0.95    | 24.23 | 1.23    | 31.29 | 0.73    | 18.54 | 1.22    | 30.99 | 0.89        | 22.48 | 0.26            | 6.60  |
| 10                         | 10 / 11                          | 0.78        | 19.86 | 0.95    | 24.23 | 1.23    | 31.29 | 0.73    | 18.54 | 1.29    | 32.77 | 1.01        | 25.65 | 0.37            | 9.27  |
| 12                         | 12 / 13                          | 0.94        | 23.80 | 0.95    | 24.23 | 1.23    | 31.29 | 0.73    | 18.54 | 1.62    | 41.15 | 1.14        | 28.83 | 0.50            | 12.73 |
| 14                         | 14 / 15                          | 1.05        | 26.67 | 1.20    | 30.58 | 1.23    | 31.29 | 0.73    | 18.54 | 1.66    | 42.16 | 1.26        | 32.00 | 0.58            | 14.61 |
| 16                         | 16 / 17                          | 1.24        | 31.47 | 1.20    | 30.58 | 1.23    | 31.29 | 0.73    | 18.54 | 1.72    | 43.69 | 1.39        | 35.18 | 0.70            | 17.78 |
| 18                         | 18 / 19                          | 1.38        | 35.00 | 1.20    | 30.58 | 1.23    | 31.29 | 0.73    | 18.54 | 1.72    | 43.69 | 1.51        | 38.35 | 0.78            | 19.79 |
| 20                         | 20 / 21                          | 1.50        | 38.10 | 1.31    | 33.27 | 1.48    | 37.64 | 0.75    | 19.05 | 1.79    | 45.47 | 1.64        | 41.53 | 0.90            | 22.96 |
| 22                         | 22 / 23                          | 1.63        | 41.43 | 1.43    | 36.32 | 1.48    | 37.64 | 0.75    | 19.05 | 1.85    | 46.99 | 1.76        | 44.70 | 1.03            | 26.14 |
| 24                         | 24 / 25                          | 1.75        | 44.45 | 1.56    | 39.62 | 1.48    | 37.64 | 0.75    | 19.05 | 1.91    | 48.51 | 1.89        | 47.88 | 1.14            | 29.06 |

Note: For more cable entry and length options, email: [sales@backshellworld.com](mailto:sales@backshellworld.com)  
 All dimensions for reference only.

38999

III

HD

Dualok

II

I

SJT

Accessories

Aquacon

Herm/Seal

PCB

Fiber

Optics

Contacts

High Speed

EMI Filter

Transient

Matrix 2

26482

Matrix Pyle

III

83723

Pyle

26500

Crimp Rear Release Matrix

5015

Class I

22992

Backshells

Options

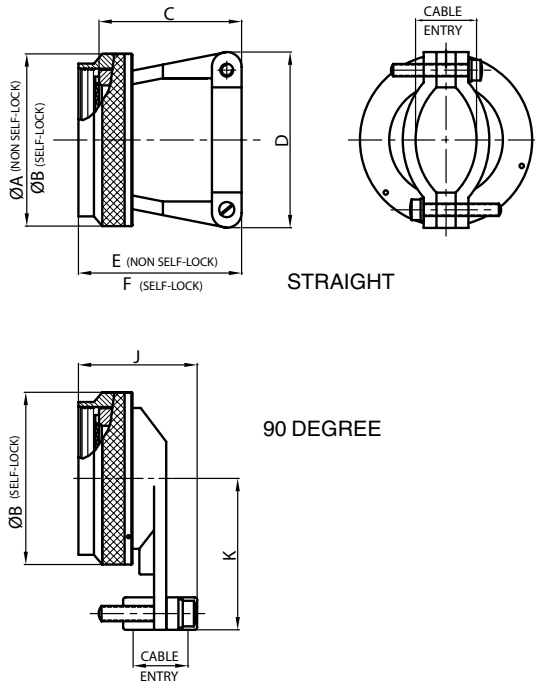
Others

### For Connector Family K

38999 Series II

38999 Series I

Connector Family "K", includes MIL-DTL-38999 Series II and Series I



#### MIL Part Number



TABLE - A

| MIL PART NUMBER DESIGNATOR | CONNECTOR SHELL SIZE SE - II / I | A DIA.(MAX) |       | B DIA.(MAX) |       | C (MAX) |       | D (MAX) |       | E (MAX) |       | F (MAX) |       |
|----------------------------|----------------------------------|-------------|-------|-------------|-------|---------|-------|---------|-------|---------|-------|---------|-------|
|                            |                                  | INCH        | MM    | INCH        | MM    | INCH    | MM    | INCH    | MM    | INCH    | MM    | INCH    | MM    |
| 08                         | 8 / 9                            | 0.75        | 19.05 | 0.86        | 21.82 | 0.91    | 23.11 | 0.85    | 21.59 | 1.10    | 27.94 | 1.15    | 29.21 |
| 10                         | 10 / 11                          | 0.85        | 21.59 | 0.98        | 24.99 | 0.91    | 23.11 | 0.90    | 22.86 | 1.10    | 27.94 | 1.15    | 29.21 |
| 12                         | 12 / 13                          | 1.00        | 25.40 | 1.16        | 29.36 | 1.01    | 25.65 | 1.10    | 27.94 | 1.20    | 30.48 | 1.25    | 31.75 |
| 14                         | 14 / 15                          | 1.10        | 27.94 | 1.28        | 32.54 | 1.06    | 26.92 | 1.15    | 29.21 | 1.25    | 31.75 | 1.30    | 33.02 |
| 16                         | 16 / 17                          | 1.25        | 31.75 | 1.41        | 35.71 | 1.16    | 29.46 | 1.30    | 33.02 | 1.36    | 34.44 | 1.40    | 35.56 |
| 18                         | 18 / 19                          | 1.40        | 35.56 | 1.52        | 38.51 | 1.41    | 35.81 | 1.50    | 38.10 | 1.60    | 40.64 | 1.65    | 41.91 |
| 20                         | 20 / 21                          | 1.50        | 38.10 | 1.64        | 41.68 | 1.51    | 38.35 | 1.60    | 40.64 | 1.70    | 43.21 | 1.75    | 44.45 |
| 24                         | 22 / 23                          | 1.65        | 41.91 | 1.77        | 44.86 | 1.66    | 42.16 | 1.70    | 43.18 | 1.85    | 46.99 | 1.90    | 48.26 |
| 24                         | 24 / 25                          | 1.75        | 44.45 | 1.89        | 48.03 | 1.76    | 44.70 | 1.80    | 45.72 | 1.95    | 49.56 | 2.00    | 50.80 |

TABLE - A, cont.

| MIL PART NUMBER DESIGNATOR | CONNECTOR SHELL SIZE SE - II / I | J (MAX) |       | K (MAX) |       | CABLE ENTRY |       |      |       |
|----------------------------|----------------------------------|---------|-------|---------|-------|-------------|-------|------|-------|
|                            |                                  | INCH    | MM    | INCH    | MM    | MIN         |       | MAX  |       |
|                            |                                  |         |       |         |       | INCH        | MM    | INCH | MM    |
| 08                         | 8 / 9                            | 1.38    | 35.05 | 1.00    | 25.40 | 0.10        | 2.49  | 0.23 | 5.94  |
| 10                         | 10 / 11                          | 1.38    | 35.05 | 1.10    | 27.94 | 0.15        | 3.89  | 0.23 | 5.94  |
| 12                         | 12 / 13                          | 1.46    | 37.08 | 1.10    | 27.94 | 0.19        | 4.83  | 0.33 | 8.33  |
| 14                         | 14 / 15                          | 1.63    | 41.40 | 1.25    | 31.75 | 0.26        | 6.60  | 0.46 | 11.61 |
| 16                         | 16 / 17                          | 1.80    | 45.72 | 1.30    | 33.02 | 0.28        | 7.19  | 0.61 | 15.60 |
| 18                         | 18 / 19                          | 1.82    | 46.23 | 1.35    | 34.29 | 0.33        | 8.26  | 0.63 | 16.10 |
| 20                         | 20 / 21                          | 1.90    | 48.26 | 1.60    | 40.64 | 0.34        | 8.71  | 0.70 | 17.73 |
| 22                         | 22 / 23                          | 2.04    | 51.82 | 1.75    | 44.45 | 0.38        | 9.68  | 0.82 | 20.90 |
| 24                         | 24 / 25                          | 2.15    | 54.61 | 1.85    | 46.99 | 0.42        | 10.62 | 0.85 | 21.67 |

Note: For more cable entry and length options, email: [sales@backshellworld.com](mailto:sales@backshellworld.com)  
All dimensions for reference only.

## Strain Relief Clamp Straight, Self-Lock/Non Self-Lock

### For Connector Family K

38999 Series II

38999 Series I

Connector Family "K", includes MIL-DTL-38999 Series II and Series I



#### MIL Part Number



TABLE - A

| MIL PART NUMBER DESIGNATOR | CONNECTOR SHELL SIZE SE - II / I | A DIA.(MAX) |       | B LENGTH  |             | C (MAX) |       | D (MAX) |       | E (CLOSED) |       |
|----------------------------|----------------------------------|-------------|-------|-----------|-------------|---------|-------|---------|-------|------------|-------|
|                            |                                  | INCH        | MM    | INCH      | MM          | INCH    | MM    | INCH    | MM    | ±.031      | ±.787 |
| 08                         | 08                               | 0.86        | 21.79 | 0.77/0.51 | 19.56/12.95 | 1.01    | 25.65 | 0.88    | 22.35 | 0.22       | 5.56  |
| 10                         | 10                               | 0.98        | 24.99 | 0.89/0.64 | 22.61/16.26 | 1.13    | 28.70 | 0.94    | 23.88 | 0.26       | 6.71  |
| 12                         | 12                               | 1.16        | 29.39 | 1.01/0.76 | 25.65/19.30 | 1.25    | 31.75 | 1.12    | 28.45 | 0.34       | 8.74  |
| 14                         | 14                               | 1.28        | 32.49 | 1.01/0.76 | 25.65/19.30 | 1.25    | 31.75 | 1.19    | 30.23 | 0.46       | 11.68 |
| 16                         | 16                               | 1.41        | 35.71 | 1.13/0.88 | 28.70/22.35 | 1.37    | 34.80 | 1.44    | 36.58 | 0.55       | 13.84 |
| 18                         | 18                               | 1.52        | 38.51 | 1.38/1.13 | 35.05/28.70 | 1.62    | 41.15 | 1.56    | 39.62 | 0.62       | 15.62 |
| 20                         | 20                               | 1.64        | 41.71 | 1.51/1.25 | 38.35/31.75 | 1.75    | 44.45 | 1.69    | 42.93 | 0.69       | 17.53 |
| 22                         | 22                               | 1.77        | 44.91 | 1.62/1.38 | 41.15/35.05 | 1.87    | 47.50 | 1.75    | 44.45 | 0.78       | 19.81 |
| 24                         | 24                               | 1.87        | 47.47 | 1.76/1.51 | 44.70/38.35 | 2.00    | 50.80 | 1.88    | 47.75 | 0.85       | 21.59 |

Note: For more cable entry and length options, email: [sales@backshellworld.com](mailto:sales@backshellworld.com)  
All dimensions for reference only.

38999

III

HD

Dualok

II

I

SJT

Accessories

Aquacon

Herm/Seal

PCB

Fiber

Optics

High Speed

Contacts

EMI Filter

Transient

Matrix 2

26482

Matrix 1 Pyle

III

83723

Pyle

26500

Crimp Rear Release Matrix

5015

Class 1

22992

Back-

Shells

Options

Others



### For Connector Family K

38999 Series II

38999 Series I

Connector Family "K", includes MIL-DTL-38999 Series II and Series I



90 DEGREE



#### MIL Part Number

MIL Series: **M85049 / 123**  
 Slash Sheet: **123: 90°**  
 Dash Number: **10**  
 Coupling: **W**  
 Finish: See Table-2 (pg. 486)  
 Dash Number: See Table-A  
 Coupling: S: Self-Lock, -: Non Self-Lock

TABLE - A

| MIL PART NUMBER DESIGNATOR | CONNECTOR SHELL SIZE SE - II/I | A DIA.(MAX) |       | B (MAX) |       | C (MAX) |       | D (MAX) |       | E (CLOSED) |       |
|----------------------------|--------------------------------|-------------|-------|---------|-------|---------|-------|---------|-------|------------|-------|
|                            |                                | INCH        | MM    | INCH    | MM    | INCH    | MM    | INCH    | MM    | ±.031      | ±.787 |
| DASH NO                    |                                |             |       |         |       |         |       |         |       |            |       |
| 08                         | 08                             | 0.86        | 21.79 | 0.86    | 21.84 | 1.10    | 27.94 | 0.81    | 20.57 | 0.22       | 5.56  |
| 10                         | 10                             | 0.98        | 24.99 | 0.94    | 23.88 | 1.18    | 29.97 | 0.87    | 22.10 | 0.26       | 6.71  |
| 12                         | 12                             | 1.16        | 29.39 | 1.14    | 28.96 | 1.38    | 35.05 | 0.93    | 23.62 | 0.34       | 8.74  |
| 14                         | 14                             | 1.28        | 32.49 | 1.20    | 30.48 | 1.44    | 36.58 | 0.99    | 25.15 | 0.46       | 11.68 |
| 16                         | 16                             | 1.41        | 35.71 | 1.34    | 34.04 | 1.58    | 40.13 | 1.06    | 26.92 | 0.55       | 13.84 |
| 18                         | 18                             | 1.52        | 38.51 | 1.46    | 37.08 | 1.70    | 43.18 | 1.23    | 31.24 | 0.62       | 15.62 |
| 20                         | 20                             | 1.64        | 41.71 | 1.58    | 40.13 | 1.82    | 46.23 | 1.30    | 33.02 | 0.70       | 17.73 |
| 22                         | 22                             | 1.77        | 44.91 | 1.71    | 43.43 | 1.95    | 49.53 | 1.36    | 34.54 | 0.78       | 19.81 |
| 24                         | 24                             | 1.87        | 47.47 | 1.83    | 46.48 | 2.07    | 52.58 | 1.42    | 36.07 | 0.85       | 21.59 |

Note: For more cable entry and length options, email: [sales@backshellworld.com](mailto:sales@backshellworld.com)  
 All dimensions for reference only.

38999

III

HD

Dualok

II

I

SJT

Accessories

Aquacon

Herm/Seal

PCB

High Speed

Fiber Optics

Contacts

EMI Filter Transient

26482

Matrix 2

83723

III Matrix | Pyle

26500

Pyle

5015

Crimp Rear Release Matrix

22992

Class L

Back-Shells

Options Others

## Grommet Nut Straight, Self-Lock/Non Self-Lock

### For Connector Family K

38999 Series II

38999 Series I

Connector Family "K", includes MIL-DTL-38999 Series II and Series I



**MIL Part Number**

**M85049 / 27 - 10 W**

MIL Series: M85049 / 27  
 Slash Sheet: 27: Straight  
 Finish: See Table-2 (pg. 486)  
 Dash Number: See Table-A  
 Coupling: S: Self-Lock, -: Non Self-Lock

Note: \* Slot shown in figure is optional for Non Self-Lock

| TABLE-A                    |                                  |              |       |              |       |         |       |         |       |              |       |
|----------------------------|----------------------------------|--------------|-------|--------------|-------|---------|-------|---------|-------|--------------|-------|
| MIL PART NUMBER DESIGNATOR | CONNECTOR SHELL SIZE SE - II / I | A DIA. (MAX) |       | B DIA. (MAX) |       | C (MAX) |       | D (MAX) |       | E DIA. (MAX) |       |
|                            |                                  | INCH         | MM    | INCH         | MM    | INCH    | MM    | INCH    | MM    | INCH         | MM    |
| DASH NO. 08                | 8 / 9                            | 0.75         | 19.05 | 0.86         | 21.82 | 0.54    | 13.72 | 0.59    | 14.99 | 0.27         | 6.86  |
| 10                         | 10 / 11                          | 0.85         | 21.59 | 0.98         | 24.99 | 0.54    | 13.72 | 0.59    | 14.99 | 0.41         | 10.41 |
| 12                         | 12 / 13                          | 1.00         | 25.40 | 1.16         | 29.36 | 0.54    | 13.72 | 0.59    | 14.99 | 0.53         | 13.46 |
| 14                         | 14 / 15                          | 1.10         | 27.94 | 1.28         | 32.54 | 0.54    | 13.72 | 0.59    | 14.99 | 0.65         | 16.51 |
| 16                         | 16 / 17                          | 1.25         | 31.75 | 1.41         | 35.71 | 0.54    | 13.72 | 0.59    | 14.99 | 0.78         | 19.81 |
| 18                         | 18 / 19                          | 1.40         | 35.56 | 1.52         | 38.51 | 0.54    | 13.72 | 0.59    | 14.99 | 0.88         | 22.35 |
| 20                         | 20 / 21                          | 1.50         | 38.10 | 1.64         | 41.68 | 0.54    | 13.72 | 0.59    | 14.99 | 1.01         | 25.65 |
| 22                         | 22 / 23                          | 1.65         | 41.91 | 1.77         | 44.86 | 0.54    | 13.72 | 0.59    | 14.99 | 1.13         | 28.70 |
| 24                         | 24 / 25                          | 1.75         | 44.45 | 1.89         | 48.03 | 0.54    | 13.72 | 0.59    | 14.99 | 1.26         | 32.00 |

Note: For more cable entry and length options, email: sales@backshellworld.com  
 All dimensions for reference only.

38999

III

HD

Dualok

II

I

SJT

Accessories

Aquacon

Herm/Seal

PCB

Fiber

Optics

High Speed

Contacts

EMI Filter

Transient

Matrix 2

26482

83723

III

Matrix / Pyle

26500

Pyle

5015

Crimp Rear Release Matrix

22992

Class I

Back-

Shells

Options

Others

### For Connector Family J

26482 Matrix Series 2

5015 Matrix (MS345X)

83723 Matrix & Pyle Series III

Connector Family "J", includes:  
MIL-DTL-26482 Series 2,  
MIL-DTL-5015 Matrix (MS345X)  
MIL-DTL-83723 Series III



**MIL Part Number**  
**M85049 / 11 -10 W**

MIL Series: M85049  
Slash Sheet: 11: Straight, Spin Coupling  
Finish: See Table-2 (pg. 486)  
Dash Number: See Table-A

| MIL PART NUMBER DESIGNATOR |         | CONNECTOR SHELL SIZE | A DIA. (MAX) |       | B (MAX) |       | C (REF) L MAX |       | G (MAX) L MAX |       | CABLE RANGE |       |          |       |
|----------------------------|---------|----------------------|--------------|-------|---------|-------|---------------|-------|---------------|-------|-------------|-------|----------|-------|
| SHELL SIZE                 | DASH NO |                      | INCH         | MM    | INCH    | MM    | INCH          | MM    | INCH          | MM    | MIN WIRE    |       | MAX WIRE |       |
|                            |         |                      |              |       |         |       |               |       |               |       | INCH        | MM    | INCH     | MM    |
| 08                         | 05      | 8                    | 0.62         | 15.67 | 2.13    | 54.10 | 1.03          | 26.09 | 0.96          | 24.31 | 0.13        | 3.18  | 0.25     | 6.35  |
|                            | 06      |                      | 0.62         | 15.67 | 3.13    | 79.50 | 1.03          | 26.09 | 0.96          | 24.31 | 0.13        | 3.18  | 0.25     | 6.35  |
|                            | 07*     |                      | 0.62         | 15.67 | 2.88    | 73.15 | 1.03          | 26.09 | 1.15          | 29.08 | 0.25        | 6.35  | 0.44     | 11.10 |
|                            | 08*     |                      | 0.62         | 15.67 | 3.88    | 98.55 | 1.03          | 26.09 | 1.15          | 29.08 | 0.25        | 6.35  | 0.44     | 11.10 |
| 10                         | 09      | 10                   | 0.73         | 18.64 | 2.13    | 54.10 | 1.03          | 26.09 | 0.96          | 24.31 | 0.13        | 3.18  | 0.31     | 7.92  |
|                            | 10      |                      | 0.73         | 18.64 | 3.13    | 79.50 | 1.03          | 26.09 | 0.96          | 24.31 | 0.13        | 3.18  | 0.31     | 7.92  |
|                            | 11*     |                      | 0.73         | 18.64 | 2.88    | 73.15 | 1.03          | 26.09 | 1.15          | 29.08 | 0.25        | 6.35  | 0.44     | 11.10 |
|                            | 12*     |                      | 0.73         | 18.64 | 3.88    | 98.55 | 1.03          | 26.09 | 1.15          | 29.08 | 0.25        | 6.35  | 0.44     | 11.10 |
|                            | 136     |                      | 0.73         | 18.64 | 2.13    | 54.10 | 1.03          | 26.09 | 1.15          | 29.08 | 0.25        | 6.35  | 0.38     | 9.53  |
|                            | 137     |                      | 0.73         | 18.64 | 3.13    | 79.50 | 1.03          | 26.09 | 1.15          | 29.08 | 0.25        | 6.35  | 0.38     | 9.53  |
| 12                         | 13      | 7/12                 | 0.86         | 21.79 | 2.13    | 54.10 | 1.03          | 26.09 | 1.15          | 29.08 | 0.25        | 6.35  | 0.44     | 11.10 |
|                            | 14      |                      | 0.86         | 21.79 | 3.13    | 79.50 | 1.03          | 26.09 | 1.15          | 29.08 | 0.25        | 6.35  | 0.44     | 11.10 |
|                            | 15*     |                      | 0.86         | 21.79 | 2.88    | 73.15 | 1.03          | 26.09 | 1.33          | 33.83 | 0.35        | 8.89  | 0.63     | 15.88 |
|                            | 16*     |                      | 0.86         | 21.79 | 3.88    | 98.55 | 1.03          | 26.09 | 1.33          | 33.83 | 0.35        | 8.89  | 0.63     | 15.88 |
|                            | 111     |                      | 0.86         | 21.79 | 2.13    | 54.10 | 1.03          | 26.09 | 1.33          | 33.83 | 0.35        | 8.89  | 0.50     | 12.70 |
|                            | 114     |                      | 0.86         | 21.79 | 2.13    | 54.10 | 1.03          | 26.09 | 0.96          | 24.31 | 0.13        | 3.18  | 0.31     | 7.92  |
|                            | 115     |                      | 0.86         | 21.79 | 3.13    | 79.50 | 1.03          | 26.09 | 0.96          | 24.31 | 0.13        | 3.18  | 0.31     | 7.92  |
|                            | 138     |                      | 0.86         | 21.79 | 2.13    | 54.10 | 1.03          | 26.09 | 1.33          | 33.83 | 0.35        | 8.89  | 0.50     | 12.70 |
|                            | 139     |                      | 0.86         | 21.79 | 3.13    | 79.50 | 1.03          | 26.09 | 1.33          | 33.83 | 0.35        | 8.89  | 0.50     | 12.70 |
| 14                         | 17      | 12/14                | 0.98         | 24.99 | 2.13    | 54.10 | 1.03          | 26.09 | 1.33          | 33.83 | 0.35        | 8.89  | 0.58     | 14.61 |
|                            | 18      |                      | 0.98         | 24.99 | 3.13    | 79.50 | 1.03          | 26.09 | 1.33          | 33.83 | 0.35        | 8.89  | 0.58     | 14.61 |
|                            | 19*     |                      | 0.98         | 24.99 | 2.88    | 73.15 | 1.06          | 26.90 | 1.55          | 39.40 | 0.50        | 12.70 | 0.75     | 19.05 |
|                            | 20*     |                      | 0.98         | 24.99 | 3.88    | 98.55 | 1.06          | 26.90 | 1.55          | 39.40 | 0.50        | 12.70 | 0.75     | 19.05 |
|                            | 116     |                      | 0.98         | 24.99 | 2.13    | 54.10 | 1.03          | 26.09 | 1.15          | 29.08 | 0.25        | 6.35  | 0.44     | 11.10 |
|                            | 117     |                      | 0.98         | 24.99 | 3.13    | 79.50 | 1.03          | 26.09 | 1.15          | 29.08 | 0.25        | 6.35  | 0.44     | 11.10 |
|                            | 150     |                      | 0.98         | 24.99 | 2.13    | 54.10 | 1.03          | 26.09 | 0.96          | 24.31 | 0.13        | 3.18  | 0.31     | 7.92  |
|                            | 151     |                      | 0.98         | 24.99 | 3.13    | 79.50 | 1.03          | 26.09 | 0.96          | 24.31 | 0.13        | 3.18  | 0.31     | 7.92  |
| 16                         | 21      | 19/16                | 1.11         | 28.24 | 2.13    | 54.10 | 1.06          | 26.90 | 1.55          | 39.40 | 0.50        | 12.70 | 0.70     | 17.78 |
|                            | 22      |                      | 1.11         | 28.24 | 3.13    | 79.50 | 1.06          | 26.90 | 1.55          | 39.40 | 0.50        | 12.70 | 0.70     | 17.78 |
|                            | 23*     |                      | 1.11         | 28.24 | 2.88    | 73.15 | 1.16          | 29.36 | 1.77          | 44.96 | 0.63        | 15.88 | 0.94     | 23.80 |
|                            | 24*     |                      | 1.11         | 28.24 | 3.88    | 98.55 | 1.16          | 29.36 | 1.77          | 44.96 | 0.63        | 15.88 | 0.94     | 23.80 |
|                            | 112     |                      | 1.11         | 28.24 | 2.13    | 54.10 | 1.03          | 26.09 | 1.15          | 29.08 | 0.25        | 6.35  | 0.44     | 11.10 |
|                            | 113     |                      | 1.11         | 28.24 | 3.13    | 79.50 | 1.03          | 26.09 | 1.15          | 29.08 | 0.25        | 6.35  | 0.44     | 11.10 |

\* Denotes Style-2 (see page 486)

For more cable entry and length options see page 486 or email: sales@backshellworld.com

All dimensions for reference only.

TABLE CONTINUES ON NEXT PAGE

# Environmental Backshell

## Straight, Spin Coupling, cont.



### For Connector Family J

26482 Matrix Series 2

5015 Matrix (MS345X)

Connector Family "J", includes:  
MIL-DTL-26482 Series 2,  
MIL-DTL-5015 Matrix (MS345X)  
MIL-DTL-83723 Series III

83723 Matrix & Pyle Series III

TABLE - A

| MIL PART NUMBER DESIGNATOR |         | CONNECTOR SHELL SIZE | A DIA. (MAX) |       | B (MAX) |        | C (REF) L MAX |        | G (MAX) L MAX |       | CABLE RANGE |       |          |       |      |       |
|----------------------------|---------|----------------------|--------------|-------|---------|--------|---------------|--------|---------------|-------|-------------|-------|----------|-------|------|-------|
| SHELL SIZE                 | DASH NO |                      | INCH         | MM    | INCH    | MM     | INCH          | MM     | INCH          | MM    | MIN WIRE    |       | MAX WIRE |       |      |       |
|                            |         |                      |              |       |         |        |               |        |               |       | INCH        | MM    | INCH     | MM    |      |       |
| 16, cont.                  | 118     | 19/16                | 1.11         | 28.24 | 2.13    | 54.10  | 1.03          | 26.09  | 1.33          | 33.83 | 0.35        | 8.89  | 0.63     | 15.88 |      |       |
|                            | 119     |                      | 1.11         | 28.24 | 3.13    | 79.50  | 1.03          | 26.09  | 1.33          | 33.83 | 0.35        | 8.89  | 0.63     | 15.88 |      |       |
|                            | 152     |                      | 1.11         | 28.24 | 2.13    | 54.10  | 1.03          | 26.09  | 0.96          | 24.31 | 0.13        | 3.18  | 0.31     | 7.92  |      |       |
|                            | 153     |                      | 1.11         | 28.24 | 3.13    | 79.50  | 1.03          | 26.09  | 0.96          | 24.31 | 0.13        | 3.18  | 0.31     | 7.92  |      |       |
| 18                         | 25      | 27/18                | 1.22         | 30.94 | 2.13    | 54.10  | 1.03          | 26.09  | 1.33          | 33.83 | 0.35        | 8.89  | 0.63     | 15.88 |      |       |
|                            | 26      |                      | 1.22         | 30.94 | 3.13    | 79.50  | 1.03          | 26.09  | 1.33          | 33.83 | 0.35        | 8.89  | 0.63     | 15.88 |      |       |
|                            | 27      |                      | 1.22         | 30.94 | 2.13    | 54.10  | 1.06          | 26.90  | 1.55          | 39.40 | 0.50        | 12.70 | 0.75     | 19.05 |      |       |
|                            | 28      |                      | 1.22         | 30.94 | 3.13    | 79.50  | 1.06          | 26.90  | 1.55          | 39.40 | 0.50        | 12.70 | 0.75     | 19.05 |      |       |
|                            | 29*     |                      | 1.22         | 30.94 | 2.88    | 73.15  | 1.16          | 29.36  | 1.77          | 44.96 | 0.63        | 15.88 | 0.94     | 23.80 |      |       |
|                            | 30*     |                      | 1.22         | 30.94 | 3.88    | 98.55  | 1.16          | 29.36  | 1.77          | 44.96 | 0.63        | 15.88 | 0.94     | 23.80 |      |       |
|                            | 120     |                      | 1.22         | 30.94 | 2.13    | 54.10  | 1.03          | 26.09  | 0.96          | 24.31 | 0.13        | 3.18  | 0.31     | 7.92  |      |       |
|                            | 121     |                      | 1.22         | 30.94 | 3.13    | 79.50  | 1.03          | 26.09  | 0.96          | 24.31 | 0.13        | 3.18  | 0.31     | 7.92  |      |       |
|                            | 122     |                      | 1.22         | 30.94 | 2.13    | 54.10  | 1.03          | 26.09  | 1.15          | 29.08 | 0.25        | 6.35  | 0.44     | 11.10 |      |       |
|                            | 123     |                      | 1.22         | 30.94 | 3.13    | 79.50  | 1.03          | 26.09  | 1.15          | 29.08 | 0.25        | 6.35  | 0.44     | 11.10 |      |       |
| 20                         | 31      | 37/20                | 1.35         | 34.16 | 3.13    | 79.50  | 1.03          | 26.09  | 1.33          | 33.83 | 0.35        | 8.89  | 0.63     | 15.88 |      |       |
|                            | 32      |                      | 1.35         | 34.16 | 4.13    | 104.90 | 1.03          | 26.09  | 1.33          | 33.83 | 0.35        | 8.89  | 0.63     | 15.88 |      |       |
|                            | 33      |                      | 1.35         | 34.16 | 3.13    | 79.50  | 1.06          | 26.90  | 1.55          | 39.40 | 0.50        | 12.70 | 0.75     | 19.05 |      |       |
|                            | 34      |                      | 1.35         | 34.16 | 4.13    | 104.90 | 1.06          | 26.90  | 1.55          | 39.40 | 0.50        | 12.70 | 0.75     | 19.05 |      |       |
|                            | 35*     |                      | 1.35         | 34.16 | 3.88    | 98.55  | 1.16          | 29.36  | 1.77          | 44.96 | 0.63        | 15.88 | 0.94     | 23.80 |      |       |
|                            | 36*     |                      | 1.35         | 34.16 | 4.88    | 123.95 | 1.16          | 29.36  | 1.77          | 44.96 | 0.63        | 15.88 | 0.94     | 23.80 |      |       |
|                            | 37*     |                      | 1.35         | 34.16 | 3.88    | 98.55  | 1.38          | 34.93  | 2.11          | 53.67 | 0.88        | 22.23 | 1.25     | 31.75 |      |       |
|                            | 38*     |                      | 1.35         | 34.16 | 4.88    | 123.95 | 1.38          | 34.93  | 2.11          | 53.67 | 0.88        | 22.23 | 1.25     | 31.75 |      |       |
|                            | 124     |                      | 1.35         | 34.16 | 3.13    | 79.50  | 1.03          | 26.09  | 1.15          | 29.08 | 0.25        | 6.35  | 0.44     | 11.10 |      |       |
|                            | 125     |                      | 1.35         | 34.16 | 4.13    | 104.90 | 1.03          | 26.09  | 1.15          | 29.08 | 0.25        | 6.35  | 0.44     | 11.10 |      |       |
|                            | 140     |                      | 1.35         | 34.16 | 3.13    | 79.50  | 1.16          | 29.36  | 1.77          | 44.96 | 0.63        | 15.88 | 0.90     | 22.96 |      |       |
|                            | 141     |                      | 1.35         | 34.16 | 4.13    | 104.90 | 1.16          | 29.36  | 1.77          | 44.96 | 0.63        | 15.88 | 0.90     | 22.96 |      |       |
|                            | 22      |                      | 39           | 22    | 1.47    | 37.29  | 3.13          | 79.50  | 1.03          | 26.09 | 1.33        | 33.83 | 0.35     | 8.89  | 0.63 | 15.88 |
| 40                         |         | 1.47                 | 37.29        |       | 4.13    | 104.90 | 1.03          | 26.09  | 1.33          | 33.83 | 0.35        | 8.89  | 0.63     | 15.88 |      |       |
| 41                         |         | 1.47                 | 37.29        |       | 3.13    | 79.50  | 1.06          | 26.90  | 1.55          | 39.40 | 0.50        | 12.70 | 0.75     | 19.05 |      |       |
| 42                         |         | 1.47                 | 37.29        |       | 4.13    | 104.90 | 1.06          | 26.90  | 1.55          | 39.40 | 0.50        | 12.70 | 0.75     | 19.05 |      |       |
| 43                         |         | 1.47                 | 37.29        |       | 3.13    | 79.50  | 1.16          | 29.36  | 1.77          | 44.96 | 0.63        | 15.88 | 0.94     | 23.80 |      |       |
| 44                         |         | 1.47                 | 37.29        |       | 4.13    | 104.90 | 1.16          | 29.36  | 1.77          | 44.96 | 0.63        | 15.88 | 0.94     | 23.80 |      |       |
| 45*                        |         | 1.47                 | 37.29        |       | 3.88    | 98.55  | 1.38          | 34.93  | 2.11          | 53.67 | 0.88        | 22.23 | 1.25     | 31.75 |      |       |
| 46*                        |         | 1.47                 | 37.29        |       | 4.88    | 123.95 | 1.38          | 34.93  | 2.11          | 53.67 | 0.88        | 22.23 | 1.25     | 31.75 |      |       |
| 126                        |         | 1.47                 | 37.29        |       | 3.13    | 79.50  | 1.03          | 26.09  | 0.96          | 24.31 | 0.13        | 3.18  | 0.31     | 7.92  |      |       |
| 127                        |         | 1.47                 | 37.29        |       | 4.13    | 104.90 | 1.03          | 26.09  | 0.96          | 24.31 | 0.13        | 3.18  | 0.31     | 7.92  |      |       |
| 128                        |         | 1.47                 | 37.29        |       | 3.13    | 79.50  | 1.03          | 26.09  | 1.15          | 29.08 | 0.25        | 6.35  | 0.44     | 11.10 |      |       |
| 129                        |         | 1.47                 | 37.29        |       | 4.13    | 104.90 | 1.03          | 26.09  | 1.15          | 29.08 | 0.25        | 6.35  | 0.44     | 11.10 |      |       |
| 142                        |         | 1.47                 | 37.29        |       | 3.13    | 79.50  | 1.38          | 34.93  | 2.11          | 53.67 | 0.88        | 22.23 | 1.03     | 26.14 |      |       |
| 143                        |         | 1.47                 | 37.29        |       | 4.13    | 104.90 | 1.38          | 34.93  | 2.11          | 53.67 | 0.88        | 22.23 | 1.03     | 26.14 |      |       |
| 24                         | 47      | 24                   | 1.59         | 40.46 | 3.13    | 79.50  | 1.06          | 26.90  | 1.55          | 39.40 | 0.50        | 12.70 | 0.75     | 19.05 |      |       |
|                            | 48      |                      | 1.59         | 40.46 | 4.13    | 104.90 | 1.06          | 26.90  | 1.55          | 39.40 | 0.50        | 12.70 | 0.75     | 19.05 |      |       |
|                            | 49      |                      | 1.59         | 40.46 | 3.13    | 79.50  | 1.16          | 29.36  | 1.77          | 44.96 | 0.63        | 15.88 | 0.81     | 20.62 |      |       |
|                            | 50      |                      | 1.59         | 40.46 | 4.13    | 104.90 | 1.16          | 29.36  | 1.77          | 44.96 | 0.63        | 15.88 | 0.81     | 20.62 |      |       |
|                            | 51      |                      | 1.59         | 40.46 | 3.13    | 79.50  | 1.16          | 29.36  | 1.77          | 44.96 | 0.63        | 15.88 | 0.94     | 23.80 |      |       |
|                            | 52      |                      | 1.59         | 40.46 | 4.13    | 104.90 | 1.16          | 29.36  | 1.77          | 44.96 | 0.63        | 15.88 | 0.94     | 23.80 |      |       |
|                            | 53*     |                      | 1.59         | 40.46 | 3.88    | 98.55  | 1.38          | 34.93  | 2.11          | 53.67 | 0.88        | 22.23 | 1.25     | 31.75 |      |       |
|                            | 54*     |                      | 1.59         | 40.46 | 4.88    | 123.95 | 1.38          | 34.93  | 2.11          | 53.67 | 0.88        | 22.23 | 1.25     | 31.75 |      |       |
|                            | 130     |                      | 1.59         | 40.46 | 3.13    | 79.50  | 1.03          | 26.09  | 1.33          | 33.83 | 0.35        | 8.89  | 0.63     | 15.88 |      |       |
|                            | 131     |                      | 1.59         | 40.46 | 4.13    | 104.90 | 1.03          | 26.09  | 1.33          | 33.83 | 0.35        | 8.89  | 0.63     | 15.88 |      |       |
|                            | 144     |                      | 1.59         | 40.46 | 3.13    | 79.50  | 1.38          | 34.93  | 2.11          | 53.67 | 0.88        | 22.23 | 1.14     | 29.06 |      |       |
|                            | 145     |                      | 1.59         | 40.46 | 4.13    | 104.90 | 1.38          | 34.93  | 2.11          | 53.67 | 0.88        | 22.23 | 1.14     | 29.06 |      |       |
|                            | 28      |                      | 55           | 28    | 1.97    | 50.01  | 3.13          | 79.50  | 1.06          | 26.90 | 1.55        | 39.40 | 0.50     | 12.70 | 0.75 | 19.05 |
|                            |         |                      | 56           |       | 1.97    | 50.01  | 4.13          | 104.90 | 1.06          | 26.90 | 1.55        | 39.40 | 0.50     | 12.70 | 0.75 | 19.05 |
| 57                         |         | 1.97                 | 50.01        |       | 3.13    | 79.50  | 1.16          | 29.36  | 1.77          | 44.96 | 0.63        | 15.88 | 0.94     | 23.80 |      |       |
| 58                         |         | 1.97                 | 50.01        |       | 4.13    | 104.90 | 1.16          | 29.36  | 1.77          | 44.96 | 0.63        | 15.88 | 0.94     | 23.80 |      |       |

TABLE CONTINUES ON NEXT PAGE

\* Denotes Style-2 (see page 486). For more cable entry and length options see page 486 or email: sales@backshellworld.com. All dimensions for reference only.

- 38999
- III
- HD
- Dualok
- II
- I
- SJT
- Accessories
- Aquacon
- Herm/Seal
- PCB

- Fiber Optics
- High Speed
- Contacts

- EMI Filter
- Transient

- Matrix 2
- 26482

- Matrix | Pyle
- III
- 83723

- Pyle
- 26500

- Crimp Rear Release Matrix
- 5015

- Class I
- 22992

- Back-Shells

- Options
- Others

### For Connector Family J

**26482 Matrix Series 2**

**5015 Matrix (MS345X)**

**83723 Matrix & Pyle Series III**

Connector Family "J", includes:  
MIL-DTL-26482 Series 2,  
MIL-DTL-5015 Matrix (MS345X)  
MIL-DTL-83723 Series III

38999

- III
- HD
- Dualok
- II
- I
- SJT
- Accessories
- Aquacon
- Herm/Seal
- PCB

- High Speed
- Fiber Optics
- Contacts

- EMI Filter Transient

- 26482 Matrix 2

- 83723 III Matrix | Pyle

- 26500 Pyle

- 5015 Crimp Rear Release Matrix

- 22992 Class L

- Back-Shells

- Options Others

| MIL PART NUMBER DESIGNATOR |         | CONNECTOR SHELL SIZE | TABLE - A    |       |         |        |               |       |               |       |             |       |          |       |
|----------------------------|---------|----------------------|--------------|-------|---------|--------|---------------|-------|---------------|-------|-------------|-------|----------|-------|
|                            |         |                      | A DIA. (MAX) |       | B (MAX) |        | C (REF) L MAX |       | G (MAX) L MAX |       | CABLE RANGE |       |          |       |
|                            |         |                      | INCH         | MM    | INCH    | MM     | INCH          | MM    | INCH          | MM    | MIN WIRE    |       | MAX WIRE |       |
| SHELL SIZE                 | DASH NO |                      |              |       |         |        |               |       |               | INCH  | MM          | INCH  | MM       |       |
| 28, cont.                  | 59      | 28                   | 1.97         | 50.01 | 3.13    | 79.50  | 1.38          | 34.93 | 2.11          | 53.67 | 0.88        | 22.23 | 1.25     | 31.75 |
|                            | 60      |                      | 1.97         | 50.01 | 4.13    | 104.90 | 1.38          | 34.93 | 2.11          | 53.67 | 0.88        | 22.23 | 1.25     | 31.75 |
|                            | 61      |                      | 1.97         | 50.01 | 3.13    | 79.50  | 1.50          | 38.10 | 2.36          | 60.02 | 1.00        | 25.40 | 1.38     | 34.93 |
|                            | 62      |                      | 1.97         | 50.01 | 4.13    | 104.90 | 1.50          | 38.10 | 2.36          | 60.02 | 1.00        | 25.40 | 1.38     | 34.93 |
| 32                         | 63      | 32                   | 2.22         | 56.36 | 3.13    | 79.50  | 1.16          | 29.36 | 1.77          | 44.96 | 0.63        | 15.88 | 0.94     | 23.80 |
|                            | 64      |                      | 2.22         | 56.36 | 4.13    | 104.90 | 1.16          | 29.36 | 1.77          | 44.96 | 0.63        | 15.88 | 0.94     | 23.80 |
|                            | 65      |                      | 2.22         | 56.36 | 3.13    | 79.50  | 1.38          | 34.93 | 2.11          | 53.67 | 0.88        | 22.23 | 1.25     | 31.75 |
|                            | 66      |                      | 2.22         | 56.36 | 4.13    | 104.90 | 1.38          | 34.93 | 2.11          | 53.67 | 0.88        | 22.23 | 1.25     | 31.75 |
|                            | 67      |                      | 2.22         | 56.36 | 3.13    | 79.50  | 1.50          | 38.10 | 2.36          | 60.02 | 1.00        | 25.40 | 1.38     | 34.93 |
|                            | 68      |                      | 2.22         | 56.36 | 4.13    | 104.90 | 1.50          | 38.10 | 2.36          | 60.02 | 1.00        | 25.40 | 1.38     | 34.93 |
|                            | 69      |                      | 2.22         | 56.36 | 3.13    | 79.50  | 1.78          | 45.24 | 2.77          | 70.36 | 1.25        | 31.75 | 1.63     | 41.28 |
|                            | 70      |                      | 2.22         | 56.36 | 4.13    | 104.90 | 1.78          | 45.24 | 2.77          | 70.36 | 1.25        | 31.75 | 1.63     | 41.28 |
|                            | 71      |                      | 2.47         | 62.71 | 4.13    | 104.90 | 1.38          | 34.93 | 2.11          | 53.67 | 0.88        | 22.23 | 1.25     | 31.75 |
|                            | 72      |                      | 2.47         | 62.71 | 5.13    | 130.30 | 1.38          | 34.93 | 2.11          | 53.67 | 0.88        | 22.23 | 1.25     | 31.75 |
| 36                         | 73      | 36                   | 2.47         | 62.71 | 4.13    | 104.90 | 1.50          | 38.10 | 2.36          | 60.02 | 1.00        | 25.40 | 1.38     | 34.93 |
|                            | 74      |                      | 2.47         | 62.71 | 5.13    | 130.30 | 1.50          | 38.10 | 2.36          | 60.02 | 1.00        | 25.40 | 1.38     | 34.93 |
|                            | 75      |                      | 2.47         | 62.71 | 4.13    | 104.90 | 1.78          | 45.24 | 2.77          | 70.36 | 1.25        | 31.75 | 1.63     | 41.28 |
|                            | 76      |                      | 2.47         | 62.71 | 5.13    | 130.30 | 1.78          | 45.24 | 2.77          | 70.36 | 1.25        | 31.75 | 1.63     | 41.28 |
|                            | 77*     |                      | 2.47         | 62.71 | 5.01    | 127.25 | 1.83          | 46.48 | 3.02          | 76.71 | 1.44        | 36.50 | 1.88     | 47.63 |
|                            | 78*     |                      | 2.47         | 62.71 | 6.01    | 152.65 | 1.83          | 46.48 | 3.02          | 76.71 | 1.44        | 36.50 | 1.88     | 47.63 |
|                            | 132     |                      | 2.47         | 62.71 | 4.13    | 104.90 | 1.06          | 26.90 | 1.55          | 39.40 | 0.50        | 12.70 | 0.75     | 19.05 |
|                            | 133     |                      | 2.47         | 62.71 | 5.13    | 130.30 | 1.06          | 26.90 | 1.55          | 39.40 | 0.50        | 12.70 | 0.75     | 19.05 |
|                            | 146     |                      | 2.47         | 62.71 | 4.13    | 104.90 | 1.83          | 46.48 | 3.02          | 76.71 | 1.44        | 36.50 | 1.84     | 46.74 |
|                            | 147     |                      | 2.47         | 62.71 | 5.13    | 130.30 | 1.83          | 46.48 | 3.02          | 76.71 | 1.44        | 36.50 | 1.84     | 46.74 |
| 40                         | 148     | 40                   | 2.47         | 62.71 | 4.13    | 104.90 | 1.16          | 29.36 | 1.77          | 44.96 | 0.63        | 15.88 | 0.94     | 23.80 |
|                            | 149     |                      | 2.47         | 62.71 | 5.13    | 130.30 | 1.16          | 29.36 | 1.77          | 44.96 | 0.63        | 15.88 | 0.94     | 23.80 |
|                            | 79      |                      | 2.72         | 69.06 | 4.13    | 104.90 | 1.38          | 34.93 | 2.11          | 53.67 | 0.88        | 22.23 | 1.25     | 31.75 |
|                            | 80      |                      | 2.72         | 69.06 | 5.13    | 130.30 | 1.38          | 34.93 | 2.11          | 53.67 | 0.88        | 22.23 | 1.25     | 31.75 |
|                            | 81      |                      | 2.72         | 69.06 | 4.13    | 104.90 | 1.50          | 38.10 | 2.36          | 60.02 | 1.00        | 25.40 | 1.38     | 34.93 |
|                            | 82      |                      | 2.72         | 69.06 | 5.13    | 130.30 | 1.50          | 38.10 | 2.36          | 60.02 | 1.00        | 25.40 | 1.38     | 34.93 |
|                            | 83      |                      | 2.72         | 69.06 | 4.13    | 104.90 | 1.78          | 45.24 | 2.77          | 70.36 | 1.25        | 31.75 | 1.63     | 41.28 |
|                            | 84      |                      | 2.72         | 69.06 | 5.13    | 130.30 | 1.78          | 45.24 | 2.77          | 70.36 | 1.25        | 31.75 | 1.63     | 41.28 |
|                            | 85      |                      | 2.72         | 69.06 | 4.13    | 104.90 | 1.83          | 46.48 | 3.02          | 76.71 | 1.44        | 36.50 | 1.88     | 47.63 |
|                            | 86      |                      | 2.72         | 69.06 | 5.13    | 130.30 | 1.83          | 46.48 | 3.02          | 76.71 | 1.44        | 36.50 | 1.88     | 47.63 |
| 44                         | 134     | 44                   | 2.72         | 69.06 | 4.13    | 104.90 | 1.06          | 26.90 | 1.55          | 39.40 | 0.50        | 12.70 | 0.75     | 19.05 |
|                            | 135     |                      | 2.72         | 69.06 | 5.13    | 130.30 | 1.06          | 26.90 | 1.55          | 39.40 | 0.50        | 12.70 | 0.75     | 19.05 |
|                            | 156     |                      | 2.72         | 69.06 | 4.13    | 104.90 | 1.16          | 29.36 | 1.77          | 44.96 | 0.63        | 15.88 | 0.94     | 23.80 |
|                            | 157     |                      | 2.72         | 69.06 | 5.13    | 130.30 | 1.16          | 29.36 | 1.77          | 44.96 | 0.63        | 15.88 | 0.94     | 23.80 |
|                            | 87      |                      | 2.97         | 75.41 | 4.13    | 104.90 | 1.38          | 34.93 | 2.11          | 53.67 | 0.88        | 22.23 | 1.25     | 31.75 |
|                            | 88      |                      | 2.97         | 75.41 | 5.13    | 130.30 | 1.38          | 34.93 | 2.11          | 53.67 | 0.88        | 22.23 | 1.25     | 31.75 |
|                            | 89      |                      | 2.97         | 75.41 | 4.13    | 104.90 | 1.50          | 38.10 | 2.36          | 60.02 | 1.00        | 25.40 | 1.38     | 34.93 |
|                            | 90      |                      | 2.97         | 75.41 | 5.13    | 130.30 | 1.50          | 38.10 | 2.36          | 60.02 | 1.00        | 25.40 | 1.38     | 34.93 |
|                            | 91      |                      | 2.97         | 75.41 | 4.13    | 104.90 | 1.78          | 45.24 | 2.77          | 70.36 | 1.25        | 31.75 | 1.63     | 41.28 |
|                            | 92      |                      | 2.97         | 75.41 | 5.13    | 130.30 | 1.78          | 45.24 | 2.77          | 70.36 | 1.25        | 31.75 | 1.63     | 41.28 |
| 48                         | 93      | 48                   | 2.97         | 75.41 | 4.13    | 104.90 | 1.83          | 46.48 | 3.02          | 76.71 | 1.44        | 36.50 | 1.88     | 47.63 |
|                            | 94      |                      | 2.97         | 75.41 | 5.13    | 130.30 | 1.83          | 46.48 | 3.02          | 76.71 | 1.44        | 36.50 | 1.88     | 47.63 |
|                            | 154     |                      | 2.97         | 75.41 | 4.13    | 104.90 | 1.16          | 29.36 | 1.77          | 44.96 | 0.63        | 15.88 | 0.94     | 23.80 |
|                            | 155     |                      | 2.97         | 75.41 | 5.13    | 130.30 | 1.16          | 29.36 | 1.77          | 44.96 | 0.63        | 15.88 | 0.94     | 23.80 |
|                            | 95      |                      | 3.22         | 81.76 | 4.13    | 104.90 | 1.38          | 34.93 | 2.11          | 53.67 | 0.88        | 22.23 | 1.25     | 31.75 |
|                            | 96      |                      | 3.22         | 81.76 | 5.13    | 130.30 | 1.38          | 34.93 | 2.11          | 53.67 | 0.88        | 22.23 | 1.25     | 31.75 |
|                            | 97      |                      | 3.22         | 81.76 | 4.13    | 104.90 | 1.50          | 38.10 | 2.36          | 60.02 | 1.00        | 25.40 | 1.38     | 34.93 |
|                            | 98      |                      | 3.22         | 81.76 | 5.13    | 130.30 | 1.50          | 38.10 | 2.36          | 60.02 | 1.00        | 25.40 | 1.38     | 34.93 |
|                            | 99      |                      | 3.22         | 81.76 | 4.13    | 104.90 | 1.78          | 45.24 | 2.77          | 70.36 | 1.25        | 31.75 | 1.63     | 41.28 |
|                            | 100     |                      | 3.22         | 81.76 | 5.13    | 130.30 | 1.78          | 45.24 | 2.77          | 70.36 | 1.25        | 31.75 | 1.63     | 41.28 |
| Options Others             | 101     | 48                   | 3.22         | 81.76 | 4.13    | 104.90 | 1.83          | 46.48 | 3.02          | 76.71 | 1.44        | 36.50 | 1.88     | 47.63 |
|                            | 102     |                      | 3.22         | 81.76 | 5.13    | 130.30 | 1.83          | 46.48 | 3.02          | 76.71 | 1.44        | 36.50 | 1.88     | 47.63 |

All dimensions for reference only.

\* Denotes Style-2 (see page 486). For more cable entry and length options see page 486 or email: sales@backshellworld.com.

# Environmental Backshell

## 90° and 45°, Spin Coupling

### For Connector Family J

26482 Matrix Series 2

5015 Matrix (MS345X)

83723 Matrix & Pyle Series III

Connector Family "J", includes:  
 MIL-DTL-26482 Series 2,  
 MIL-DTL-5015 Matrix (MS345X)  
 MIL-DTL-83723 Series III



38999

- III
- HD
- Dualok
- II
- I
- SJT
- Accessories
- Aquacon
- Herm/Seal
- PCB

- Fiber Optics
- High Speed
- Contacts

- EMI Filter
- Transient

- 26482 Matrix 2
- 83723 Matrix | Pyle III

- 26500 Pyle

- 5015 Crimp Rear Release Matrix

- 22992 Class I

- Back-Shells

- Options Others



TABLE - A

| MIL PART NUMBER DESIGNATOR |     | CONNECTOR SHELL SIZE | A DIA. (MAX) |       | B (REF) |       | C (MAX) |       | D (MAX) |       | E (MAX) |       | F (MAX) |       | G (MAX) |       | CABLE RANGE |          |      |       |      |    |  |  |
|----------------------------|-----|----------------------|--------------|-------|---------|-------|---------|-------|---------|-------|---------|-------|---------|-------|---------|-------|-------------|----------|------|-------|------|----|--|--|
|                            |     |                      | INCH         | MM    | INCH    | MM    | INCH    | MM    | INCH    | MM    | INCH    | MM    | INCH    | MM    | INCH    | MM    | MIN WIRE    | MAX WIRE | INCH | MM    | INCH | MM |  |  |
| 08                         | 3   | 8                    | 0.62         | 15.67 | 1.03    | 26.09 | 0.67    | 17.02 | 1.26    | 32.00 | 0.63    | 16.00 | 1.25    | 31.75 | 0.96    | 24.31 | 0.13        | 3.18     | 0.25 | 6.35  |      |    |  |  |
|                            | 4   |                      | 0.73         | 18.64 | 1.03    | 26.09 | 0.76    | 19.30 | 1.98    | 50.29 | 0.69    | 17.53 | 1.92    | 48.77 | 0.96    | 24.31 | 0.13        | 3.18     | 0.31 | 7.92  |      |    |  |  |
| 10                         | 49* | 10                   | 0.73         | 18.64 | 1.03    | 26.09 | 1.52    | 38.61 | 2.00    | 50.80 | 1.50    | 38.10 | 1.98    | 50.29 | 1.15    | 29.08 | 0.25        | 6.35     | 0.44 | 11.10 |      |    |  |  |
|                            | 5   |                      | 0.73         | 18.64 | 1.03    | 26.09 | 0.76    | 19.30 | 1.38    | 35.05 | 0.69    | 17.53 | 1.31    | 33.27 | 1.15    | 29.08 | 0.25        | 6.35     | 0.38 | 9.53  |      |    |  |  |
| 12                         | 6   | 7/12                 | 0.86         | 21.79 | 1.03    | 26.09 | 0.77    | 19.56 | 2.00    | 50.80 | 0.75    | 19.05 | 1.98    | 50.29 | 0.96    | 24.31 | 0.13        | 3.18     | 0.31 | 7.92  |      |    |  |  |
|                            | 71* |                      | 0.86         | 21.79 | 1.03    | 26.09 | 1.81    | 45.97 | 2.16    | 54.86 | 1.65    | 41.91 | 2.18    | 55.37 | 1.33    | 33.83 | 0.35        | 8.89     | 0.63 | 15.88 |      |    |  |  |
|                            | 7   |                      | 0.86         | 21.79 | 1.03    | 26.09 | 0.77    | 19.56 | 2.00    | 50.80 | 0.75    | 19.05 | 1.98    | 50.29 | 1.15    | 29.08 | 0.25        | 6.35     | 0.44 | 11.10 |      |    |  |  |
|                            | 8   |                      | 0.86         | 21.79 | 1.03    | 26.09 | 0.77    | 19.56 | 1.40    | 35.56 | 0.75    | 19.05 | 1.98    | 50.29 | 1.33    | 33.83 | 0.35        | 8.89     | 0.50 | 12.70 |      |    |  |  |
| 14                         | 9   | 12/14                | 0.98         | 24.99 | 1.03    | 26.09 | 0.87    | 22.10 | 2.07    | 52.58 | 0.81    | 20.57 | 2.07    | 52.58 | 1.15    | 29.08 | 0.25        | 6.35     | 0.44 | 11.10 |      |    |  |  |
|                            | 10  |                      | 0.98         | 24.99 | 1.03    | 26.09 | 0.87    | 22.10 | 1.72    | 43.69 | 0.81    | 20.57 | 1.72    | 43.69 | 1.33    | 33.83 | 0.35        | 8.89     | 0.58 | 14.61 |      |    |  |  |
|                            | 50* |                      | 0.98         | 24.99 | 1.06    | 26.90 | 1.89    | 48.01 | 2.33    | 59.18 | 1.84    | 46.74 | 2.37    | 60.20 | 1.55    | 39.40 | 0.50        | 12.70    | 0.75 | 19.05 |      |    |  |  |
|                            | 74  |                      | 0.98         | 24.99 | 1.03    | 26.09 | 0.87    | 22.10 | 2.07    | 52.58 | 0.81    | 20.57 | 2.07    | 52.58 | 0.96    | 24.31 | 0.13        | 3.18     | 0.31 | 7.92  |      |    |  |  |
| 16                         | 11  | 19/16                | 1.11         | 28.24 | 1.03    | 26.09 | 1.05    | 26.67 | 2.16    | 54.86 | 0.91    | 23.11 | 2.18    | 55.37 | 1.15    | 29.08 | 0.25        | 6.35     | 0.44 | 11.10 |      |    |  |  |
|                            | 12  |                      | 1.11         | 28.24 | 1.06    | 26.90 | 1.05    | 26.67 | 1.81    | 45.97 | 0.91    | 23.11 | 1.82    | 46.23 | 1.55    | 39.40 | 0.50        | 12.70    | 0.70 | 17.78 |      |    |  |  |
|                            | 40  |                      | 1.11         | 28.24 | 1.03    | 26.09 | 1.05    | 26.67 | 2.16    | 54.86 | 0.91    | 23.11 | 2.18    | 55.37 | 1.33    | 33.83 | 0.35        | 8.89     | 0.63 | 15.88 |      |    |  |  |
|                            | 51* |                      | 1.11         | 28.24 | 1.16    | 29.36 | 2.04    | 51.82 | 2.44    | 61.98 | 1.94    | 49.28 | 2.52    | 64.01 | 1.77    | 44.96 | 0.63        | 15.88    | 0.94 | 23.80 |      |    |  |  |
|                            | 75  |                      | 1.11         | 28.24 | 1.03    | 26.09 | 1.05    | 26.67 | 2.16    | 54.86 | 0.91    | 23.11 | 2.18    | 55.37 | 0.96    | 24.31 | 0.13        | 3.18     | 0.31 | 7.92  |      |    |  |  |

\* Denotes Style-2 (see page 486)

For more cable entry and length options see page 486 or email: sales@backshellworld.com

All dimensions for reference only.

TABLE CONTINUES ON NEXT PAGE

## For Connector Family J

26482 Matrix Series 2

5015 Matrix (MS345X)

83723 Matrix & Pyle Series III

Connector Family "J", includes:  
MIL-DTL-26482 Series 2,  
MIL-DTL-5015 Matrix (MS345X)  
MIL-DTL-83723 Series III

TABLE A

| MIL PART NUMBER DESIGNATOR | CONNECTOR SHELL SIZE | A DIA. (MAX) |      | B (REF) |      | C (MAX) |      | D (MAX) |      | E (MAX) |      | F (MAX) |      | G (MAX) |      | CABLE RANGE |      |          |      |          |  |
|----------------------------|----------------------|--------------|------|---------|------|---------|------|---------|------|---------|------|---------|------|---------|------|-------------|------|----------|------|----------|--|
|                            |                      | SHELL SIZE   |      | INCH    | MM   | INCH    | MM   | INCH    | MM   | INCH    | MM   | INCH    | MM   | INCH    | MM   | INCH        | MM   | MIN WIRE |      | MAX WIRE |  |
|                            |                      | DASH NO      | INCH |         |      |         |      |         |      |         |      |         |      |         |      |             |      | MM       | INCH | MM       |  |
| 18                         | 27/18                | 13           | 1.22 | 30.94   | 1.03 | 26.09   | 1.14 | 28.96   | 2.33 | 59.18   | 1.09 | 27.69   | 2.37 | 60.20   | 1.33 | 33.83       | 0.35 | 8.89     | 0.63 | 15.88    |  |
|                            |                      | 14           | 1.22 | 30.94   | 1.16 | 29.36   | 1.14 | 28.96   | 1.98 | 50.29   | 1.09 | 27.69   | 2.00 | 50.80   | 1.77 | 44.96       | 0.63 | 15.88    | 0.78 | 19.79    |  |
|                            |                      | 41           | 1.22 | 30.94   | 1.03 | 26.09   | 1.14 | 28.96   | 2.33 | 59.18   | 1.09 | 27.69   | 2.37 | 60.20   | 0.96 | 24.31       | 0.13 | 3.18     | 0.31 | 7.92     |  |
|                            |                      | 42           | 1.22 | 30.94   | 1.03 | 26.09   | 1.14 | 28.96   | 2.33 | 59.18   | 1.09 | 27.69   | 2.37 | 60.20   | 1.15 | 29.08       | 0.25 | 6.35     | 0.44 | 11.10    |  |
|                            |                      | 52           | 1.22 | 30.94   | 1.06 | 26.90   | 1.14 | 28.96   | 2.33 | 59.18   | 1.09 | 27.69   | 2.37 | 60.20   | 1.55 | 39.40       | 0.50 | 12.70    | 0.75 | 19.05    |  |
|                            |                      | 72*          | 1.22 | 30.94   | 1.16 | 29.36   | 2.05 | 52.07   | 2.44 | 61.98   | 1.94 | 49.28   | 2.52 | 64.01   | 1.77 | 44.96       | 0.63 | 15.88    | 0.94 | 23.80    |  |
| 20                         | 37/20                | 15           | 1.35 | 34.16   | 1.03 | 26.09   | 1.14 | 28.96   | 2.33 | 59.18   | 1.09 | 27.69   | 2.37 | 60.20   | 1.33 | 33.83       | 0.35 | 8.89     | 0.63 | 15.88    |  |
|                            |                      | 16           | 1.35 | 34.16   | 1.16 | 29.36   | 1.14 | 28.96   | 1.98 | 50.29   | 1.09 | 27.69   | 2.00 | 50.80   | 1.77 | 44.96       | 0.63 | 15.88    | 0.90 | 22.96    |  |
|                            |                      | 43           | 1.35 | 34.16   | 1.03 | 26.09   | 1.14 | 28.96   | 2.33 | 59.18   | 1.09 | 27.69   | 2.37 | 60.20   | 1.15 | 29.08       | 0.25 | 6.35     | 0.44 | 11.10    |  |
|                            |                      | 54           | 1.35 | 34.16   | 1.06 | 26.90   | 1.14 | 28.96   | 2.33 | 59.18   | 1.09 | 27.69   | 2.37 | 60.20   | 1.55 | 39.40       | 0.50 | 12.70    | 0.75 | 19.05    |  |
|                            |                      | 55           | 1.35 | 34.16   | 1.38 | 34.93   | 2.14 | 54.36   | 2.61 | 66.29   | 2.06 | 52.32   | 2.57 | 65.28   | 2.11 | 53.67       | 0.88 | 22.23    | 1.25 | 31.75    |  |
| 22                         | 22                   | 17           | 1.47 | 37.29   | 1.06 | 26.90   | 1.29 | 32.77   | 2.44 | 61.98   | 1.19 | 30.23   | 2.52 | 64.01   | 1.55 | 39.40       | 0.50 | 12.70    | 0.75 | 19.05    |  |
|                            |                      | 18           | 1.47 | 37.29   | 1.38 | 34.93   | 1.29 | 32.77   | 2.09 | 53.09   | 1.19 | 30.23   | 2.16 | 54.86   | 2.11 | 53.67       | 0.88 | 22.23    | 1.03 | 26.14    |  |
|                            |                      | 44           | 1.47 | 37.29   | 1.03 | 26.09   | 1.29 | 32.77   | 2.44 | 61.98   | 1.19 | 30.23   | 2.52 | 64.01   | 0.96 | 24.31       | 0.13 | 3.18     | 0.31 | 7.92     |  |
|                            |                      | 45           | 1.47 | 37.29   | 1.03 | 26.09   | 1.29 | 32.77   | 2.44 | 61.98   | 1.19 | 30.23   | 2.52 | 64.01   | 1.15 | 29.08       | 0.25 | 6.35     | 0.44 | 11.10    |  |
|                            |                      | 56           | 1.47 | 37.29   | 1.03 | 26.09   | 1.29 | 32.77   | 2.44 | 61.98   | 1.19 | 30.23   | 2.52 | 64.01   | 1.33 | 33.83       | 0.35 | 8.89     | 0.63 | 15.88    |  |
|                            |                      | 57           | 1.47 | 37.29   | 1.16 | 29.36   | 1.29 | 32.77   | 2.44 | 61.98   | 1.19 | 30.23   | 2.52 | 64.01   | 1.77 | 44.96       | 0.63 | 15.88    | 0.94 | 23.80    |  |
| 58*                        | 1.47                 | 37.29        | 1.38 | 34.93   | 2.14 | 54.36   | 2.61 | 66.29   | 2.06 | 52.32   | 2.57 | 65.28   | 2.11 | 53.67   | 0.88 | 22.23       | 1.25 | 31.75    |      |          |  |
| 24                         | 24                   | 19           | 1.59 | 40.46   | 1.06 | 26.90   | 1.29 | 32.77   | 2.44 | 61.98   | 1.19 | 30.23   | 2.52 | 64.01   | 1.55 | 39.40       | 0.50 | 12.70    | 0.75 | 19.05    |  |
|                            |                      | 20           | 1.59 | 40.46   | 1.38 | 34.93   | 1.29 | 32.77   | 2.09 | 53.09   | 1.19 | 30.23   | 2.16 | 54.86   | 2.11 | 53.67       | 0.88 | 22.23    | 1.14 | 29.06    |  |
|                            |                      | 46           | 1.59 | 40.46   | 1.03 | 26.09   | 1.29 | 32.77   | 2.44 | 61.98   | 1.19 | 30.23   | 2.52 | 64.01   | 1.33 | 33.83       | 0.35 | 8.89     | 0.63 | 15.88    |  |
|                            |                      | 59           | 1.59 | 40.46   | 1.16 | 29.36   | 1.29 | 32.77   | 2.44 | 61.98   | 1.19 | 30.23   | 2.52 | 64.01   | 1.77 | 44.96       | 0.63 | 15.88    | 0.94 | 23.80    |  |
|                            |                      | 73*          | 1.59 | 40.46   | 1.38 | 34.93   | 2.15 | 54.61   | 2.61 | 66.29   | 2.06 | 52.32   | 2.57 | 65.28   | 2.12 | 53.75       | 0.88 | 22.23    | 1.25 | 31.75    |  |
| 28                         | 28                   | 21           | 1.97 | 50.01   | 1.16 | 29.36   | 1.39 | 35.31   | 2.61 | 66.29   | 1.31 | 33.27   | 2.57 | 65.28   | 1.77 | 44.96       | 0.63 | 15.88    | 0.94 | 23.80    |  |
|                            |                      | 22           | 1.97 | 50.01   | 1.50 | 38.10   | 1.39 | 35.31   | 2.26 | 57.40   | 1.31 | 33.27   | 2.22 | 56.39   | 2.36 | 60.02       | 1.00 | 25.40    | 1.38 | 34.93    |  |
|                            |                      | 60           | 1.97 | 50.01   | 1.06 | 26.90   | 1.39 | 35.31   | 2.61 | 66.29   | 1.31 | 33.27   | 2.57 | 65.28   | 1.55 | 39.40       | 0.50 | 12.70    | 0.75 | 19.05    |  |
|                            |                      | 61           | 1.97 | 50.01   | 1.38 | 34.93   | 1.39 | 35.31   | 2.61 | 66.29   | 1.31 | 33.27   | 2.57 | 65.28   | 2.11 | 53.67       | 0.88 | 22.23    | 1.25 | 31.75    |  |
| 32                         | 32                   | 23           | 2.22 | 56.36   | 1.16 | 29.36   | 1.74 | 44.20   | 2.86 | 72.64   | 1.38 | 35.05   | 2.67 | 67.82   | 1.77 | 44.96       | 0.63 | 15.88    | 0.94 | 23.80    |  |
|                            |                      | 24           | 2.22 | 56.36   | 1.38 | 34.93   | 1.74 | 44.20   | 2.86 | 72.64   | 1.38 | 35.05   | 2.67 | 67.82   | 2.11 | 53.67       | 0.88 | 22.23    | 1.25 | 31.75    |  |
|                            |                      | 25           | 2.22 | 56.36   | 1.78 | 45.24   | 1.74 | 44.20   | 2.51 | 63.75   | 1.38 | 35.05   | 2.32 | 58.93   | 2.77 | 70.36       | 1.25 | 31.75    | 1.63 | 41.28    |  |
|                            |                      | 62           | 2.22 | 56.36   | 1.50 | 38.10   | 1.74 | 44.20   | 2.86 | 72.64   | 1.38 | 35.05   | 2.67 | 67.82   | 2.36 | 60.02       | 1.00 | 25.40    | 1.38 | 34.93    |  |
| 36                         | 36                   | 26           | 2.47 | 62.71   | 1.16 | 29.36   | 1.94 | 49.28   | 2.83 | 71.88   | 1.41 | 35.81   | 2.76 | 70.10   | 1.77 | 44.96       | 0.63 | 15.88    | 0.94 | 23.80    |  |
|                            |                      | 27           | 2.47 | 62.71   | 1.50 | 38.10   | 1.94 | 49.28   | 2.83 | 71.88   | 1.41 | 35.81   | 2.76 | 70.10   | 2.36 | 60.02       | 1.00 | 25.40    | 1.38 | 34.93    |  |
|                            |                      | 28           | 2.47 | 62.71   | 1.83 | 46.48   | 1.94 | 49.28   | 2.48 | 62.99   | 1.41 | 35.81   | 2.41 | 61.21   | 3.02 | 76.71       | 1.44 | 36.50    | 1.84 | 46.74    |  |
|                            |                      | 47           | 2.47 | 62.71   | 1.06 | 26.90   | 1.94 | 49.28   | 2.83 | 71.88   | 1.41 | 35.81   | 2.76 | 70.10   | 1.55 | 39.40       | 0.50 | 12.70    | 0.75 | 19.05    |  |
|                            |                      | 63           | 2.47 | 62.71   | 1.38 | 34.93   | 1.94 | 49.28   | 2.83 | 71.88   | 1.41 | 35.81   | 2.76 | 70.10   | 2.11 | 53.67       | 0.88 | 22.23    | 1.25 | 31.75    |  |
| 64                         | 2.47                 | 62.71        | 1.78 | 45.24   | 1.94 | 49.28   | 2.83 | 71.88   | 1.41 | 35.81   | 2.76 | 70.10   | 2.77 | 70.36   | 1.25 | 31.75       | 1.63 | 41.28    |      |          |  |
| 40                         | 40                   | 29           | 2.72 | 69.06   | 1.16 | 29.36   | 2.69 | 68.33   | 2.83 | 71.88   | 2.16 | 54.86   | 2.76 | 70.10   | 1.77 | 44.96       | 0.63 | 15.88    | 0.94 | 23.80    |  |
|                            |                      | 30           | 2.72 | 69.06   | 1.50 | 38.10   | 2.69 | 68.33   | 2.83 | 71.88   | 2.16 | 54.86   | 2.76 | 70.10   | 2.36 | 60.02       | 1.00 | 25.40    | 1.38 | 34.93    |  |
|                            |                      | 31           | 2.72 | 69.06   | 1.83 | 46.48   | 2.69 | 68.33   | 2.48 | 62.99   | 2.16 | 54.86   | 2.41 | 61.21   | 3.02 | 76.71       | 1.44 | 36.50    | 1.88 | 47.63    |  |
|                            |                      | 48           | 2.72 | 69.06   | 1.06 | 26.90   | 1.94 | 49.28   | 2.83 | 71.88   | 2.16 | 54.86   | 2.76 | 70.10   | 1.55 | 39.40       | 0.50 | 12.70    | 0.75 | 19.05    |  |
|                            |                      | 65           | 2.72 | 69.06   | 1.38 | 34.93   | 2.69 | 68.33   | 2.83 | 71.88   | 2.16 | 54.86   | 2.76 | 70.10   | 2.11 | 53.67       | 0.88 | 22.23    | 1.25 | 31.75    |  |
|                            |                      | 66           | 2.72 | 69.06   | 1.78 | 45.24   | 2.69 | 68.33   | 2.83 | 71.88   | 2.16 | 54.86   | 2.76 | 70.10   | 2.77 | 70.36       | 1.25 | 31.75    | 1.63 | 41.28    |  |
| 44                         | 44                   | 32           | 2.97 | 75.41   | 1.16 | 29.36   | 2.69 | 68.33   | 2.83 | 71.88   | 2.16 | 54.86   | 2.76 | 70.10   | 1.77 | 44.96       | 0.63 | 15.88    | 0.94 | 23.80    |  |
|                            |                      | 33           | 2.97 | 75.41   | 1.50 | 38.10   | 2.69 | 68.33   | 2.83 | 71.88   | 2.16 | 54.86   | 2.76 | 70.10   | 2.36 | 60.02       | 1.00 | 25.40    | 1.38 | 34.93    |  |
|                            |                      | 34           | 2.97 | 75.41   | 1.83 | 46.48   | 2.69 | 68.33   | 2.48 | 62.99   | 2.16 | 54.86   | 2.41 | 61.21   | 3.02 | 76.71       | 1.44 | 36.50    | 1.88 | 47.63    |  |
|                            |                      | 67           | 2.97 | 75.41   | 1.38 | 34.93   | 2.69 | 68.33   | 2.83 | 71.88   | 2.16 | 54.86   | 2.76 | 70.10   | 2.11 | 53.67       | 0.88 | 22.23    | 1.25 | 31.75    |  |
|                            |                      | 68           | 2.97 | 75.41   | 1.78 | 45.24   | 2.69 | 68.33   | 2.83 | 71.88   | 2.16 | 54.86   | 2.76 | 70.10   | 2.77 | 70.36       | 1.25 | 31.75    | 1.63 | 41.28    |  |
| 48                         | 48                   | 35           | 3.22 | 81.76   | 1.16 | 29.36   | 2.69 | 68.33   | 2.83 | 71.88   | 2.16 | 54.86   | 2.76 | 70.10   | 1.77 | 44.96       | 0.63 | 15.88    | 0.94 | 23.80    |  |
|                            |                      | 36           | 3.22 | 81.76   | 1.50 | 38.10   | 2.69 | 68.33   | 2.83 | 71.88   | 2.16 | 54.86   | 2.76 | 70.10   | 2.36 | 60.02       | 1.00 | 25.40    | 1.38 | 34.93    |  |
|                            |                      | 37           | 3.22 | 81.76   | 1.83 | 46.48   | 2.69 | 68.33   | 2.48 | 62.99   | 2.16 | 54.86   | 2.41 | 61.21   | 3.02 | 76.71       | 1.44 | 36.50    | 1.88 | 47.63    |  |
|                            |                      | 69           | 3.22 | 81.76   | 1.38 | 34.93   | 2.69 | 68.33   | 2.83 | 71.88   | 2.16 | 54.86   | 2.76 | 70.10   | 2.11 | 53.67       | 0.88 | 22.23    | 1.25 | 31.75    |  |
| 70                         | 3.22                 | 81.76        | 1.78 | 45.24   | 2.69 | 68.33   | 2.83 | 71.88   | 2.16 | 54.86   | 2.76 | 70.10   | 2.77 | 70.36   | 1.25 | 31.75       | 1.63 | 41.28    |      |          |  |

\* Denotes Style-2 (see page 486)

For more cable entry and length options see page 486 or email: sales@backshellworld.com

All dimensions for reference only.

# Non-Environmental EMI/RFI Backshell

## Straight, Spin Coupling

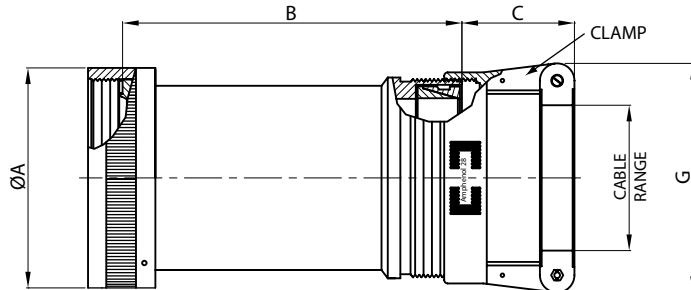
For Connector Family J

26482 Matrix Series 2

5015 Matrix (MS345X)

83723 Matrix & Pyle Series III

Connector Family "J", includes:  
MIL-DTL-26482 Series 2,  
MIL-DTL-5015 Matrix (MS345X)  
MIL-DTL-83723 Series III



**MIL Part Number**  
**M85049 / 25 -10 W**

MIL Series: M85049  
Slash Sheet: 25: Straight, Spin Coupling  
Finish: See Table-2 (pg. 486)  
Dash Number: See Table-A

| MIL PART NUMBER DESIGNATOR |         | CONNECTOR SHELL SIZE | TABLE-A      |       |         |       |               |       |               |       |             |       |          |       |
|----------------------------|---------|----------------------|--------------|-------|---------|-------|---------------|-------|---------------|-------|-------------|-------|----------|-------|
| SHELL SIZE                 | DASH NO |                      | A DIA. (MAX) |       | B (MAX) |       | C (REF) L MAX |       | G (MAX) L MAX |       | CABLE RANGE |       |          |       |
|                            |         |                      | INCH         | MM    | INCH    | MM    | INCH          | MM    | INCH          | MM    | MIN WIRE    |       | MAX WIRE |       |
|                            |         |                      |              |       |         |       |               |       |               | INCH  | MM          | INCH  | MM       |       |
| 8                          | 05      | 8                    | 0.62         | 15.67 | 2.13    | 54.10 | 1.03          | 26.09 | 0.96          | 24.31 | 0.13        | 3.18  | 0.25     | 6.35  |
|                            | 06      |                      | 0.62         | 15.67 | 3.13    | 79.50 | 1.03          | 26.09 | 0.96          | 24.31 | 0.13        | 3.18  | 0.25     | 6.35  |
|                            | 07*     |                      | 0.62         | 15.67 | 2.88    | 73.15 | 1.03          | 26.09 | 1.15          | 29.08 | 0.25        | 6.35  | 0.44     | 11.10 |
|                            | 08*     |                      | 0.62         | 15.67 | 3.88    | 98.55 | 1.03          | 26.09 | 1.15          | 29.08 | 0.25        | 6.35  | 0.44     | 11.10 |
| 10                         | 09      | 10                   | 0.73         | 18.64 | 2.13    | 54.10 | 1.03          | 26.09 | 0.96          | 24.31 | 0.13        | 3.18  | 0.31     | 7.92  |
|                            | 10      |                      | 0.73         | 18.64 | 3.13    | 79.50 | 1.03          | 26.09 | 0.96          | 24.31 | 0.13        | 3.18  | 0.31     | 7.92  |
|                            | 11*     |                      | 0.73         | 18.64 | 2.88    | 73.15 | 1.03          | 26.09 | 1.15          | 29.08 | 0.25        | 6.35  | 0.44     | 11.10 |
|                            | 12*     |                      | 0.73         | 18.64 | 3.88    | 98.55 | 1.03          | 26.09 | 1.15          | 29.08 | 0.25        | 6.35  | 0.44     | 11.10 |
|                            | 136     |                      | 0.73         | 18.64 | 2.13    | 54.10 | 1.03          | 26.09 | 1.15          | 29.08 | 0.25        | 6.35  | 0.38     | 9.53  |
| 12                         | 137     | 7/12                 | 0.73         | 18.64 | 3.13    | 79.50 | 1.03          | 26.09 | 1.15          | 29.08 | 0.25        | 6.35  | 0.38     | 9.53  |
|                            | 13      |                      | 0.86         | 21.79 | 2.13    | 54.10 | 1.03          | 26.09 | 1.15          | 29.08 | 0.25        | 6.35  | 0.44     | 11.10 |
|                            | 14      |                      | 0.86         | 21.79 | 3.13    | 79.50 | 1.03          | 26.09 | 1.15          | 29.08 | 0.25        | 6.35  | 0.44     | 11.10 |
|                            | 15*     |                      | 0.86         | 21.79 | 2.88    | 73.15 | 1.03          | 26.09 | 1.33          | 33.83 | 0.35        | 8.89  | 0.63     | 15.88 |
|                            | 16*     |                      | 0.86         | 21.79 | 3.88    | 98.55 | 1.03          | 26.09 | 1.33          | 33.83 | 0.35        | 8.89  | 0.63     | 15.88 |
|                            | 111     |                      | 0.86         | 21.79 | 2.13    | 54.10 | 1.03          | 26.09 | 1.33          | 33.83 | 0.35        | 8.89  | 0.50     | 12.70 |
|                            | 114     |                      | 0.86         | 21.79 | 2.13    | 54.10 | 1.03          | 26.09 | 0.96          | 24.31 | 0.13        | 3.18  | 0.31     | 7.92  |
|                            | 115     |                      | 0.86         | 21.79 | 3.13    | 79.50 | 1.03          | 26.09 | 0.96          | 24.31 | 0.13        | 3.18  | 0.31     | 7.92  |
| 14                         | 138     | 12/14                | 0.86         | 21.79 | 2.13    | 54.10 | 1.03          | 26.09 | 1.33          | 33.83 | 0.35        | 8.89  | 0.50     | 12.70 |
|                            | 139     |                      | 0.86         | 21.79 | 3.13    | 79.50 | 1.03          | 26.09 | 1.33          | 33.83 | 0.35        | 8.89  | 0.50     | 12.70 |
|                            | 17      |                      | 0.98         | 24.99 | 2.13    | 54.10 | 1.03          | 26.09 | 1.33          | 33.83 | 0.35        | 8.89  | 0.58     | 14.61 |
|                            | 18      |                      | 0.98         | 24.99 | 3.13    | 79.50 | 1.03          | 26.09 | 1.33          | 33.83 | 0.35        | 8.89  | 0.58     | 14.61 |
|                            | 19*     |                      | 0.98         | 24.99 | 2.88    | 73.15 | 1.06          | 26.90 | 1.55          | 39.40 | 0.50        | 12.70 | 0.75     | 19.05 |
|                            | 20*     |                      | 0.98         | 24.99 | 3.88    | 98.55 | 1.06          | 26.90 | 1.55          | 39.40 | 0.50        | 12.70 | 0.75     | 19.05 |
|                            | 116     |                      | 0.98         | 24.99 | 2.13    | 54.10 | 1.03          | 26.09 | 1.15          | 29.08 | 0.25        | 6.35  | 0.44     | 11.10 |
| 16                         | 117     | 19/16                | 0.98         | 24.99 | 3.13    | 79.50 | 1.03          | 26.09 | 1.15          | 29.08 | 0.25        | 6.35  | 0.44     | 11.10 |
|                            | 150     |                      | 0.98         | 24.99 | 2.13    | 54.10 | 1.03          | 26.09 | 0.96          | 24.31 | 0.13        | 3.18  | 0.31     | 7.92  |
|                            | 151     |                      | 0.98         | 24.99 | 3.13    | 79.50 | 1.03          | 26.09 | 0.96          | 24.31 | 0.13        | 3.18  | 0.31     | 7.92  |
|                            | 21      |                      | 1.11         | 28.24 | 2.13    | 54.10 | 1.06          | 26.90 | 1.55          | 39.40 | 0.50        | 12.70 | 0.70     | 17.78 |
|                            | 22      |                      | 1.11         | 28.24 | 3.13    | 79.50 | 1.06          | 26.90 | 1.55          | 39.40 | 0.50        | 12.70 | 0.70     | 17.78 |
|                            | 23*     |                      | 1.11         | 28.24 | 2.88    | 73.15 | 1.16          | 29.36 | 1.77          | 44.96 | 0.63        | 15.88 | 0.94     | 23.80 |
|                            | 24*     |                      | 1.11         | 28.24 | 3.88    | 98.55 | 1.16          | 29.36 | 1.77          | 44.96 | 0.63        | 15.88 | 0.94     | 23.80 |
| 16                         | 112     | 19/16                | 1.11         | 28.24 | 2.13    | 54.10 | 1.03          | 26.09 | 1.15          | 29.08 | 0.25        | 6.35  | 0.44     | 11.10 |
|                            | 113     |                      | 1.11         | 28.24 | 3.13    | 79.50 | 1.03          | 26.09 | 1.15          | 29.08 | 0.25        | 6.35  | 0.44     | 11.10 |
|                            | 118     |                      | 1.11         | 28.24 | 2.13    | 54.10 | 1.03          | 26.09 | 1.33          | 33.83 | 0.35        | 8.89  | 0.63     | 15.88 |
|                            | 119     |                      | 1.11         | 28.24 | 3.13    | 79.50 | 1.03          | 26.09 | 1.33          | 33.83 | 0.35        | 8.89  | 0.63     | 15.88 |
|                            | 152     |                      | 1.11         | 28.24 | 2.13    | 54.10 | 1.03          | 26.09 | 0.96          | 24.31 | 0.13        | 3.18  | 0.31     | 7.92  |
|                            | 153     |                      | 1.11         | 28.24 | 3.13    | 79.50 | 1.03          | 26.09 | 0.96          | 24.31 | 0.13        | 3.18  | 0.31     | 7.92  |

\* Denotes Style-2 (see page 486)

For more cable entry and length options see page 486 or email: sales@backshellworld.com  
All dimensions for reference only.

TABLE CONTINUES ON NEXT PAGE

38999

- III
- HD
- Dualok
- II
- I
- SJT
- Accessories
- Aquacon
- Herm/Seal
- PCB
- Fiber Optics
- High Speed
- Contacts
- EMI Filter
- Transient
- Matrix 2
- 26482
- Matrix Pyle
- 83723
- Pyle
- 26500
- 5015
- Crimp Rear Release Matrix
- 22992
- Class I
- Backshells
- Options
- Others



### For Connector Family J

**26482 Matrix Series 2**

**5015 Matrix (MS345X)**

**83723 Matrix & Pyle Series III**

Connector Family "J", includes:  
MIL-DTL-26482 Series 2,  
MIL-DTL-5015 Matrix (MS345X)  
MIL-DTL-83723 Series III

| MIL PART NUMBER DESIGNATOR |         | CONNECTOR SHELL SIZE | TABLE-A      |       |         |        |               |        |               |       |             |       |          |       |      |       |
|----------------------------|---------|----------------------|--------------|-------|---------|--------|---------------|--------|---------------|-------|-------------|-------|----------|-------|------|-------|
| SHELL SIZE                 | DASH NO |                      | A DIA. (MAX) |       | B (MAX) |        | C (REF) L MAX |        | G (MAX) L MAX |       | CABLE RANGE |       |          |       |      |       |
|                            |         |                      | INCH         | MM    | INCH    | MM     | INCH          | MM     | INCH          | MM    | MIN WIRE    |       | MAX WIRE |       |      |       |
|                            |         |                      |              |       |         |        |               |        |               | INCH  | MM          | INCH  | MM       |       |      |       |
| 18                         | 25      | 27/18                | 1.22         | 30.94 | 2.13    | 54.10  | 1.03          | 26.09  | 1.33          | 33.83 | 0.35        | 8.89  | 0.63     | 15.88 |      |       |
|                            | 26      |                      | 1.22         | 30.94 | 3.13    | 79.50  | 1.03          | 26.09  | 1.33          | 33.83 | 0.35        | 8.89  | 0.63     | 15.88 |      |       |
|                            | 27      |                      | 1.22         | 30.94 | 2.13    | 54.10  | 1.06          | 26.90  | 1.55          | 39.40 | 0.50        | 12.70 | 0.75     | 19.05 |      |       |
|                            | 28      |                      | 1.22         | 30.94 | 3.13    | 79.50  | 1.06          | 26.90  | 1.55          | 39.40 | 0.50        | 12.70 | 0.75     | 19.05 |      |       |
|                            | 29*     |                      | 1.22         | 30.94 | 2.88    | 73.15  | 1.16          | 29.36  | 1.77          | 44.96 | 0.63        | 15.88 | 0.94     | 23.80 |      |       |
|                            | 30*     |                      | 1.22         | 30.94 | 3.88    | 98.55  | 1.16          | 29.36  | 1.77          | 44.96 | 0.63        | 15.88 | 0.94     | 23.80 |      |       |
|                            | 120     |                      | 1.22         | 30.94 | 2.13    | 54.10  | 1.03          | 26.09  | 0.96          | 24.31 | 0.13        | 3.18  | 0.31     | 7.92  |      |       |
|                            | 121     |                      | 1.22         | 30.94 | 3.13    | 79.50  | 1.03          | 26.09  | 0.96          | 24.31 | 0.13        | 3.18  | 0.31     | 7.92  |      |       |
|                            | 122     |                      | 1.22         | 30.94 | 2.13    | 54.10  | 1.03          | 26.09  | 1.15          | 29.08 | 0.25        | 6.35  | 0.44     | 11.10 |      |       |
|                            | 123     |                      | 1.22         | 30.94 | 3.13    | 79.50  | 1.03          | 26.09  | 1.15          | 29.08 | 0.25        | 6.35  | 0.44     | 11.10 |      |       |
|                            | 20      |                      | 31           | 37/20 | 1.35    | 34.16  | 3.13          | 79.50  | 1.03          | 26.09 | 1.33        | 33.83 | 0.35     | 8.89  | 0.63 | 15.88 |
|                            |         |                      | 32           |       | 1.35    | 34.16  | 4.13          | 104.90 | 1.03          | 26.09 | 1.33        | 33.83 | 0.35     | 8.89  | 0.63 | 15.88 |
| 33                         |         | 1.35                 | 34.16        |       | 3.13    | 79.50  | 1.06          | 26.90  | 1.55          | 39.40 | 0.50        | 12.70 | 0.75     | 19.05 |      |       |
| 34                         |         | 1.35                 | 34.16        |       | 4.13    | 104.90 | 1.06          | 26.90  | 1.55          | 39.40 | 0.50        | 12.70 | 0.75     | 19.05 |      |       |
| 35*                        |         | 1.35                 | 34.16        |       | 3.88    | 98.55  | 1.16          | 29.36  | 1.77          | 44.96 | 0.63        | 15.88 | 0.94     | 23.80 |      |       |
| 36*                        |         | 1.35                 | 34.16        |       | 4.88    | 123.95 | 1.16          | 29.36  | 1.77          | 44.96 | 0.63        | 15.88 | 0.94     | 23.80 |      |       |
| 37*                        |         | 1.35                 | 34.16        |       | 3.88    | 98.55  | 1.38          | 34.93  | 2.11          | 53.67 | 0.88        | 22.23 | 1.25     | 31.75 |      |       |
| 38*                        |         | 1.35                 | 34.16        |       | 4.88    | 123.95 | 1.38          | 34.93  | 2.11          | 53.67 | 0.88        | 22.23 | 1.25     | 31.75 |      |       |
| 124                        |         | 1.35                 | 34.16        |       | 3.13    | 79.50  | 1.03          | 26.09  | 1.15          | 29.08 | 0.25        | 6.35  | 0.44     | 11.10 |      |       |
| 125                        |         | 1.35                 | 34.16        |       | 4.13    | 104.90 | 1.03          | 26.09  | 1.15          | 29.08 | 0.25        | 6.35  | 0.44     | 11.10 |      |       |
| 140                        |         | 1.35                 | 34.16        |       | 3.13    | 79.50  | 1.16          | 29.36  | 1.77          | 44.96 | 0.63        | 15.88 | 0.90     | 22.96 |      |       |
| 141                        |         | 1.35                 | 34.16        |       | 4.13    | 104.90 | 1.16          | 29.36  | 1.77          | 44.96 | 0.63        | 15.88 | 0.90     | 22.96 |      |       |
| 22                         | 39      | 22                   | 1.47         | 37.29 | 3.13    | 79.50  | 1.03          | 26.09  | 1.33          | 33.83 | 0.35        | 8.89  | 0.63     | 15.88 |      |       |
|                            | 40      |                      | 1.47         | 37.29 | 4.13    | 104.90 | 1.03          | 26.09  | 1.33          | 33.83 | 0.35        | 8.89  | 0.63     | 15.88 |      |       |
|                            | 41      |                      | 1.47         | 37.29 | 3.13    | 79.50  | 1.06          | 26.90  | 1.55          | 39.40 | 0.50        | 12.70 | 0.75     | 19.05 |      |       |
|                            | 42      |                      | 1.47         | 37.29 | 4.13    | 104.90 | 1.06          | 26.90  | 1.55          | 39.40 | 0.50        | 12.70 | 0.75     | 19.05 |      |       |
|                            | 43      |                      | 1.47         | 37.29 | 3.13    | 79.50  | 1.16          | 29.36  | 1.77          | 44.96 | 0.63        | 15.88 | 0.94     | 23.80 |      |       |
|                            | 44      |                      | 1.47         | 37.29 | 4.13    | 104.90 | 1.16          | 29.36  | 1.77          | 44.96 | 0.63        | 15.88 | 0.94     | 23.80 |      |       |
|                            | 45*     |                      | 1.47         | 37.29 | 3.88    | 98.55  | 1.38          | 34.93  | 2.11          | 53.67 | 0.88        | 22.23 | 1.25     | 31.75 |      |       |
|                            | 46*     |                      | 1.47         | 37.29 | 4.88    | 123.95 | 1.38          | 34.93  | 2.11          | 53.67 | 0.88        | 22.23 | 1.25     | 31.75 |      |       |
|                            | 126     |                      | 1.47         | 37.29 | 3.13    | 79.50  | 1.03          | 26.09  | 0.96          | 24.31 | 0.13        | 3.18  | 0.31     | 7.92  |      |       |
|                            | 127     |                      | 1.47         | 37.29 | 4.13    | 104.90 | 1.03          | 26.09  | 0.96          | 24.31 | 0.13        | 3.18  | 0.31     | 7.92  |      |       |
|                            | 128     |                      | 1.47         | 37.29 | 3.13    | 79.50  | 1.03          | 26.09  | 1.15          | 29.08 | 0.25        | 6.35  | 0.44     | 11.10 |      |       |
|                            | 129     |                      | 1.47         | 37.29 | 4.13    | 104.90 | 1.03          | 26.09  | 1.15          | 29.08 | 0.25        | 6.35  | 0.44     | 11.10 |      |       |
| 24                         | 142     | 24                   | 1.47         | 37.29 | 3.13    | 79.50  | 1.38          | 34.93  | 2.11          | 53.67 | 0.88        | 22.23 | 1.03     | 26.14 |      |       |
|                            | 143     |                      | 1.47         | 37.29 | 4.13    | 104.90 | 1.38          | 34.93  | 2.11          | 53.67 | 0.88        | 22.23 | 1.03     | 26.14 |      |       |
|                            | 47      |                      | 1.59         | 40.46 | 3.13    | 79.50  | 1.06          | 26.90  | 1.55          | 39.40 | 0.50        | 12.70 | 0.75     | 19.05 |      |       |
|                            | 48      |                      | 1.59         | 40.46 | 4.13    | 104.90 | 1.06          | 26.90  | 1.55          | 39.40 | 0.50        | 12.70 | 0.75     | 19.05 |      |       |
|                            | 49      |                      | 1.59         | 40.46 | 3.13    | 79.50  | 1.16          | 29.36  | 1.77          | 44.96 | 0.63        | 15.88 | 0.81     | 20.62 |      |       |
|                            | 50      |                      | 1.59         | 40.46 | 4.13    | 104.90 | 1.16          | 29.36  | 1.77          | 44.96 | 0.63        | 15.88 | 0.81     | 20.62 |      |       |
|                            | 51      |                      | 1.59         | 40.46 | 3.13    | 79.50  | 1.16          | 29.36  | 1.77          | 44.96 | 0.63        | 15.88 | 0.94     | 23.80 |      |       |
|                            | 52      |                      | 1.59         | 40.46 | 4.13    | 104.90 | 1.16          | 29.36  | 1.77          | 44.96 | 0.63        | 15.88 | 0.94     | 23.80 |      |       |
|                            | 53*     |                      | 1.59         | 40.46 | 3.88    | 98.55  | 1.38          | 34.93  | 2.11          | 53.67 | 0.88        | 22.23 | 1.25     | 31.75 |      |       |
|                            | 54*     |                      | 1.59         | 40.46 | 4.88    | 123.95 | 1.38          | 34.93  | 2.11          | 53.67 | 0.88        | 22.23 | 1.25     | 31.75 |      |       |
|                            | 130     |                      | 1.59         | 40.46 | 3.13    | 79.50  | 1.03          | 26.09  | 1.33          | 33.83 | 0.35        | 8.89  | 0.63     | 15.88 |      |       |
|                            | 131     |                      | 1.59         | 40.46 | 4.13    | 104.90 | 1.03          | 26.09  | 1.33          | 33.83 | 0.35        | 8.89  | 0.63     | 15.88 |      |       |
| 28                         | 144     | 28                   | 1.59         | 40.46 | 3.13    | 79.50  | 1.38          | 34.93  | 2.11          | 53.67 | 0.88        | 22.23 | 1.14     | 29.06 |      |       |
|                            | 145     |                      | 1.59         | 40.46 | 4.13    | 104.90 | 1.38          | 34.93  | 2.11          | 53.67 | 0.88        | 22.23 | 1.14     | 29.06 |      |       |
|                            | 55      |                      | 1.97         | 50.01 | 3.13    | 79.50  | 1.06          | 26.90  | 1.55          | 39.40 | 0.50        | 12.70 | 0.75     | 19.05 |      |       |
|                            | 56      |                      | 1.97         | 50.01 | 4.13    | 104.90 | 1.06          | 26.90  | 1.55          | 39.40 | 0.50        | 12.70 | 0.75     | 19.05 |      |       |
|                            | 57      |                      | 1.97         | 50.01 | 3.13    | 79.50  | 1.16          | 29.36  | 1.77          | 44.96 | 0.63        | 15.88 | 0.94     | 23.80 |      |       |
|                            | 58      |                      | 1.97         | 50.01 | 4.13    | 104.90 | 1.16          | 29.36  | 1.77          | 44.96 | 0.63        | 15.88 | 0.94     | 23.80 |      |       |

\* Denotes Style-2 (see page 486)

For more cable entry and length options see page 486 or email: sales@backshellworld.com

All dimensions for reference only.

TABLE CONTINUES ON NEXT PAGE

# Non-Environmental EMI/RFI Backshell

## Straight, Spin Coupling, cont.



### For Connector Family J

**26482 Matrix Series 2**

**5015 Matrix (MS345X)**

Connector Family "J", includes:  
MIL-DTL-26482 Series 2,  
MIL-DTL-5015 Matrix (MS345X)  
MIL-DTL-83723 Series III

**83723 Matrix & Pyle Series III**

| MIL PART NUMBER DESIGNATOR |         | CONNECTOR SHELL SIZE | TABLE-A      |       |         |        |               |        |               |        |             |       |          |       |      |       |
|----------------------------|---------|----------------------|--------------|-------|---------|--------|---------------|--------|---------------|--------|-------------|-------|----------|-------|------|-------|
| SHELL SIZE                 | DASH NO |                      | A DIA. (MAX) |       | B (MAX) |        | C (REF) L MAX |        | G (MAX) L MAX |        | CABLE RANGE |       |          |       |      |       |
|                            |         |                      | INCH         | MM    | INCH    | MM     | INCH          | MM     | INCH          | MM     | MIN WIRE    |       | MAX WIRE |       |      |       |
|                            |         |                      |              |       |         |        |               |        |               | INCH   | MM          | INCH  | MM       |       |      |       |
| 28, cont.                  | 59      | 28                   | 1.97         | 50.01 | 3.13    | 79.50  | 1.38          | 34.93  | 2.11          | 53.67  | 0.88        | 22.23 | 1.25     | 31.75 |      |       |
|                            | 60      |                      | 1.97         | 50.01 | 4.13    | 104.90 | 1.38          | 34.93  | 2.11          | 53.67  | 0.88        | 22.23 | 1.25     | 31.75 |      |       |
|                            | 61      |                      | 1.97         | 50.01 | 3.13    | 79.50  | 1.50          | 38.10  | 23.63         | 600.20 | 1.00        | 25.40 | 1.38     | 34.93 |      |       |
|                            | 62      |                      | 1.97         | 50.01 | 4.13    | 104.90 | 1.50          | 38.10  | 2.36          | 60.02  | 1.00        | 25.40 | 1.38     | 34.93 |      |       |
| 32                         | 63      | 32                   | 2.22         | 56.36 | 3.13    | 79.50  | 1.16          | 29.36  | 1.77          | 44.96  | 0.63        | 15.88 | 0.94     | 23.80 |      |       |
|                            | 64      |                      | 2.22         | 56.36 | 4.13    | 104.90 | 1.16          | 29.36  | 1.77          | 44.96  | 0.63        | 15.88 | 0.94     | 23.80 |      |       |
|                            | 65      |                      | 2.22         | 56.36 | 3.13    | 79.50  | 1.38          | 34.93  | 2.11          | 53.67  | 0.88        | 22.23 | 1.25     | 31.75 |      |       |
|                            | 66      |                      | 2.22         | 56.36 | 4.13    | 104.90 | 1.38          | 34.93  | 2.11          | 53.67  | 0.88        | 22.23 | 1.25     | 31.75 |      |       |
|                            | 67      |                      | 2.22         | 56.36 | 3.13    | 79.50  | 1.50          | 38.10  | 2.36          | 60.02  | 1.00        | 25.40 | 1.38     | 34.93 |      |       |
|                            | 68      |                      | 2.22         | 56.36 | 4.13    | 104.90 | 1.50          | 38.10  | 2.36          | 60.02  | 1.00        | 25.40 | 1.38     | 34.93 |      |       |
|                            | 69      |                      | 2.22         | 56.36 | 3.13    | 79.50  | 1.78          | 45.24  | 2.77          | 70.36  | 1.25        | 31.75 | 1.63     | 41.28 |      |       |
|                            | 70      |                      | 2.22         | 56.36 | 4.13    | 104.90 | 1.78          | 45.24  | 2.77          | 70.36  | 1.25        | 31.75 | 1.63     | 41.28 |      |       |
| 36                         | 71      | 36                   | 2.47         | 62.71 | 4.13    | 104.90 | 1.38          | 34.93  | 2.11          | 53.67  | 0.88        | 22.23 | 1.25     | 31.75 |      |       |
|                            | 72      |                      | 2.47         | 62.71 | 5.13    | 130.30 | 1.38          | 34.93  | 2.11          | 53.67  | 0.88        | 22.23 | 1.25     | 31.75 |      |       |
|                            | 73      |                      | 2.47         | 62.71 | 4.13    | 104.90 | 1.50          | 38.10  | 2.36          | 60.02  | 1.00        | 25.40 | 1.38     | 34.93 |      |       |
|                            | 74      |                      | 2.47         | 62.71 | 5.13    | 130.30 | 1.50          | 38.10  | 2.36          | 60.02  | 1.00        | 25.40 | 1.38     | 34.93 |      |       |
|                            | 75      |                      | 2.47         | 62.71 | 4.13    | 104.90 | 1.78          | 45.24  | 2.77          | 70.36  | 1.25        | 31.75 | 1.63     | 41.28 |      |       |
|                            | 76      |                      | 2.47         | 62.71 | 5.13    | 130.30 | 1.78          | 45.24  | 2.77          | 70.36  | 1.25        | 31.75 | 1.63     | 41.28 |      |       |
|                            | 77*     |                      | 2.47         | 62.71 | 5.01    | 127.25 | 1.83          | 46.48  | 3.02          | 76.71  | 1.44        | 36.50 | 1.88     | 47.63 |      |       |
|                            | 78*     |                      | 2.47         | 62.71 | 6.01    | 152.65 | 1.83          | 46.48  | 3.02          | 76.71  | 1.44        | 36.50 | 1.88     | 47.63 |      |       |
|                            | 132     |                      | 2.47         | 62.71 | 4.13    | 104.90 | 1.06          | 26.90  | 1.55          | 39.40  | 0.50        | 12.70 | 0.75     | 19.05 |      |       |
|                            | 133     |                      | 2.47         | 62.71 | 5.13    | 130.30 | 1.06          | 26.90  | 1.55          | 39.40  | 0.50        | 12.70 | 0.75     | 19.05 |      |       |
|                            | 146     |                      | 2.47         | 62.71 | 4.13    | 104.90 | 1.83          | 46.48  | 3.02          | 76.71  | 1.44        | 36.50 | 1.84     | 46.74 |      |       |
|                            | 147     |                      | 2.47         | 62.71 | 5.13    | 130.30 | 1.83          | 46.48  | 3.02          | 76.71  | 1.44        | 36.50 | 1.84     | 46.74 |      |       |
|                            | 148     |                      | 2.47         | 62.71 | 4.13    | 104.90 | 1.16          | 29.36  | 1.77          | 44.96  | 0.63        | 15.88 | 0.94     | 23.80 |      |       |
|                            | 149     |                      | 2.47         | 62.71 | 5.13    | 130.30 | 1.16          | 29.36  | 1.77          | 44.96  | 0.63        | 15.88 | 0.94     | 23.80 |      |       |
| 40                         | 79      | 40                   | 2.72         | 69.06 | 4.13    | 104.90 | 1.38          | 34.93  | 2.11          | 53.67  | 0.88        | 22.23 | 1.25     | 31.75 |      |       |
|                            | 80      |                      | 2.72         | 69.06 | 5.13    | 130.30 | 1.38          | 34.93  | 2.11          | 53.67  | 0.88        | 22.23 | 1.25     | 31.75 |      |       |
|                            | 81      |                      | 2.72         | 69.06 | 4.13    | 104.90 | 1.50          | 38.10  | 2.36          | 60.02  | 1.00        | 25.40 | 1.38     | 34.93 |      |       |
|                            | 82      |                      | 2.72         | 69.06 | 5.13    | 130.30 | 1.50          | 38.10  | 2.36          | 60.02  | 1.00        | 25.40 | 1.38     | 34.93 |      |       |
|                            | 83      |                      | 2.72         | 69.06 | 4.13    | 104.90 | 1.78          | 45.24  | 2.77          | 70.36  | 1.25        | 31.75 | 1.63     | 41.28 |      |       |
|                            | 84      |                      | 2.72         | 69.06 | 5.13    | 130.30 | 1.78          | 45.24  | 2.77          | 70.36  | 1.25        | 31.75 | 1.63     | 41.28 |      |       |
|                            | 85      |                      | 2.72         | 69.06 | 4.13    | 104.90 | 1.83          | 46.48  | 3.02          | 76.71  | 1.44        | 36.50 | 1.88     | 47.63 |      |       |
|                            | 86      |                      | 2.72         | 69.06 | 5.13    | 130.30 | 1.83          | 46.48  | 3.02          | 76.71  | 1.44        | 36.50 | 1.88     | 47.63 |      |       |
|                            | 134     |                      | 2.72         | 69.06 | 4.13    | 104.90 | 1.06          | 26.90  | 1.55          | 39.40  | 0.50        | 12.70 | 0.75     | 19.05 |      |       |
|                            | 135     |                      | 2.72         | 69.06 | 5.13    | 130.30 | 1.06          | 26.90  | 1.55          | 39.40  | 0.50        | 12.70 | 0.75     | 19.05 |      |       |
|                            | 156     |                      | 2.72         | 69.06 | 4.13    | 104.90 | 1.16          | 29.36  | 1.77          | 44.96  | 0.63        | 15.88 | 0.94     | 23.80 |      |       |
|                            | 157     |                      | 2.72         | 69.06 | 5.13    | 130.30 | 1.16          | 29.36  | 1.77          | 44.96  | 0.63        | 15.88 | 0.94     | 23.80 |      |       |
|                            | 44      |                      | 87           | 44    | 2.97    | 75.41  | 4.13          | 104.90 | 1.38          | 34.93  | 2.11        | 53.67 | 0.88     | 22.23 | 1.25 | 31.75 |
|                            |         |                      | 88           |       | 2.97    | 75.41  | 5.13          | 130.30 | 1.38          | 34.93  | 2.11        | 53.67 | 0.88     | 22.23 | 1.25 | 31.75 |
| 89                         |         | 2.97                 | 75.41        |       | 4.13    | 104.90 | 1.50          | 38.10  | 2.36          | 60.02  | 1.00        | 25.40 | 1.38     | 34.93 |      |       |
| 90                         |         | 2.97                 | 75.41        |       | 5.13    | 130.30 | 1.50          | 38.10  | 2.36          | 60.02  | 1.00        | 25.40 | 1.38     | 34.93 |      |       |
| 91                         |         | 2.97                 | 75.41        |       | 4.13    | 104.90 | 1.78          | 45.24  | 2.77          | 70.36  | 1.25        | 31.75 | 1.63     | 41.28 |      |       |
| 92                         |         | 2.97                 | 75.41        |       | 5.13    | 130.30 | 1.78          | 45.24  | 2.77          | 70.36  | 1.25        | 31.75 | 1.63     | 41.28 |      |       |
| 93                         |         | 2.97                 | 75.41        |       | 4.13    | 104.90 | 1.83          | 46.48  | 3.02          | 76.71  | 1.44        | 36.50 | 1.88     | 47.63 |      |       |
| 94                         |         | 2.97                 | 75.41        |       | 5.13    | 130.30 | 1.83          | 46.48  | 3.02          | 76.71  | 1.44        | 36.50 | 1.88     | 47.63 |      |       |
| 154                        |         | 2.97                 | 75.41        |       | 4.13    | 104.90 | 1.16          | 29.36  | 1.77          | 44.96  | 0.63        | 15.88 | 0.94     | 23.80 |      |       |
| 155                        |         | 2.97                 | 75.41        |       | 5.13    | 130.30 | 1.16          | 29.36  | 1.77          | 44.96  | 0.63        | 15.88 | 0.94     | 23.80 |      |       |
| 48                         | 95      | 48                   | 3.22         | 81.76 | 4.13    | 104.90 | 1.38          | 34.93  | 2.11          | 53.67  | 0.88        | 22.23 | 1.25     | 31.75 |      |       |
|                            | 96      |                      | 3.22         | 81.76 | 5.13    | 130.30 | 1.38          | 34.93  | 2.11          | 53.67  | 0.88        | 22.23 | 1.25     | 31.75 |      |       |
|                            | 97      |                      | 3.22         | 81.76 | 4.13    | 104.90 | 1.50          | 38.10  | 2.36          | 60.02  | 1.00        | 25.40 | 1.38     | 34.93 |      |       |
|                            | 98      |                      | 3.22         | 81.76 | 5.13    | 130.30 | 1.50          | 38.10  | 2.36          | 60.02  | 1.00        | 25.40 | 1.38     | 34.93 |      |       |
|                            | 99      |                      | 3.22         | 81.76 | 4.13    | 104.90 | 1.78          | 45.24  | 2.77          | 70.36  | 1.25        | 31.75 | 1.63     | 41.28 |      |       |
|                            | 100     |                      | 3.22         | 81.76 | 5.13    | 130.30 | 1.78          | 45.24  | 2.77          | 70.36  | 1.25        | 31.75 | 1.63     | 41.28 |      |       |
|                            | 101     |                      | 3.22         | 81.76 | 4.13    | 104.90 | 1.83          | 46.48  | 3.02          | 76.71  | 1.44        | 36.50 | 1.88     | 47.63 |      |       |
|                            | 102     |                      | 3.22         | 81.76 | 5.13    | 130.30 | 1.83          | 46.48  | 3.02          | 76.71  | 1.44        | 36.50 | 1.88     | 47.63 |      |       |

All dimensions for reference only.

\* Denotes Style-2 (see page 486). For more cable entry and length options see page 486 or email: sales@backshellworld.com.

38999

- III
- HD
- Dualok
- II
- I
- SJT
- Accessories
- Aquacon
- Herm/Seal
- PCB
- Fiber Optics
- High Speed
- Contacts
- EMI Filter
- Transient
- Matrix 2
- 83723 III
- Matrix | Pyle
- Pyle
- 26500
- 5015 Crimp Rear Release Matrix
- 22992
- Class I
- Back-Shells
- Options
- Others

### For Connector Family J

26482 Matrix Series 2

5015 Matrix (MS345X)

83723 Matrix & Pyle Series III

Connector Family "J", includes:  
MIL-DTL-26482 Series 2,  
MIL-DTL-5015 Matrix (MS345X)  
MIL-DTL-83723 Series III



**MIL Part Number**  
**M85049 / 23 -10 W**

MIL Series: M85049  
Slash Sheet: 23  
Dash Number: -10  
Finish: W  
Finish: See Table-2 (pg. 486)

24: 90°, Spin Coupling  
23: 45°, Spin Coupling

TABLE-B

| MIL PART NUMBER DESIGNATOR |         | CONNECTOR SHELL SIZE | A DIA. (MAX) |       | B (REF) L MAX |       | C (MAX) |       | D (MAX) |       | E (MAX) |       | F (MAX) |       | G (MAX) |       | CABLE RANGE |          |          |          |
|----------------------------|---------|----------------------|--------------|-------|---------------|-------|---------|-------|---------|-------|---------|-------|---------|-------|---------|-------|-------------|----------|----------|----------|
| SHELL SIZE                 | DASH NO |                      | INCH         | MM    | INCH          | MM    | INCH    | MM    | INCH    | MM    | INCH    | MM    | INCH    | MM    | INCH    | MM    | MIN WIRE    | MAX WIRE | MIN WIRE | MAX WIRE |
| 8                          | 3       | 8                    | 0.62         | 15.67 | 1.03          | 26.09 | 0.67    | 17.02 | 1.26    | 32.00 | 0.63    | 16.00 | 1.25    | 31.75 | 0.96    | 24.31 | 0.13        | 3.18     | 0.25     | 6.35     |
| 10                         | 4       | 10                   | 0.73         | 18.64 | 1.03          | 26.09 | 0.76    | 19.30 | 1.98    | 50.29 | 0.69    | 17.53 | 1.92    | 48.77 | 0.96    | 24.31 | 0.13        | 3.18     | 0.31     | 7.92     |
|                            | 49*     |                      | 0.73         | 18.64 | 1.03          | 26.09 | 1.52    | 38.61 | 2.00    | 50.80 | 1.50    | 38.10 | 1.98    | 50.29 | 1.15    | 29.08 | 0.25        | 6.35     | 0.44     | 11.10    |
| 12                         | 5       | 7/12                 | 0.73         | 18.64 | 1.03          | 26.09 | 0.76    | 19.30 | 1.38    | 35.05 | 0.69    | 17.53 | 1.31    | 33.27 | 1.15    | 29.08 | 0.25        | 6.35     | 0.38     | 9.53     |
|                            | 6       |                      | 0.86         | 21.79 | 1.03          | 26.09 | 0.77    | 19.56 | 2.00    | 50.80 | 0.75    | 19.05 | 1.98    | 50.29 | 0.96    | 24.31 | 0.13        | 3.18     | 0.31     | 7.92     |
|                            | 71*     |                      | 0.86         | 21.79 | 1.03          | 26.09 | 1.81    | 45.97 | 2.16    | 54.86 | 1.65    | 41.91 | 2.18    | 55.37 | 1.33    | 33.83 | 0.35        | 8.89     | 0.63     | 15.88    |
|                            | 7       |                      | 0.86         | 21.79 | 1.03          | 26.09 | 0.77    | 19.56 | 2.00    | 50.80 | 0.75    | 19.05 | 1.98    | 50.29 | 1.15    | 29.08 | 0.25        | 6.35     | 0.44     | 11.10    |
| 14                         | 8       | 12/14                | 0.86         | 21.79 | 1.03          | 26.09 | 0.77    | 19.56 | 1.40    | 35.56 | 0.75    | 19.05 | 1.98    | 50.29 | 1.33    | 33.83 | 0.35        | 8.89     | 0.50     | 12.70    |
|                            | 9       |                      | 0.98         | 24.99 | 1.03          | 26.09 | 0.87    | 22.10 | 2.07    | 52.58 | 0.81    | 20.57 | 2.07    | 52.58 | 1.15    | 29.08 | 0.25        | 6.35     | 0.44     | 11.10    |
|                            | 10      |                      | 0.98         | 24.99 | 1.03          | 26.09 | 0.87    | 22.10 | 1.72    | 43.69 | 0.81    | 20.57 | 1.72    | 43.69 | 1.33    | 33.83 | 0.35        | 8.89     | 0.58     | 14.61    |
|                            | 50*     |                      | 0.98         | 24.99 | 1.06          | 26.90 | 1.89    | 48.01 | 2.33    | 59.18 | 1.84    | 46.74 | 2.37    | 60.20 | 1.55    | 39.40 | 0.50        | 12.70    | 0.75     | 19.05    |
| 16                         | 74      | 19/16                | 0.98         | 24.99 | 1.03          | 26.09 | 0.87    | 22.10 | 2.07    | 52.58 | 0.81    | 20.57 | 2.07    | 52.58 | 0.96    | 24.31 | 0.13        | 3.18     | 0.31     | 7.92     |
|                            | 11      |                      | 1.11         | 28.24 | 1.03          | 26.09 | 1.05    | 26.67 | 2.16    | 54.86 | 0.91    | 23.11 | 2.18    | 55.37 | 1.15    | 29.08 | 0.25        | 6.35     | 0.44     | 11.10    |
|                            | 12      |                      | 1.11         | 28.24 | 1.06          | 26.90 | 1.05    | 26.67 | 1.81    | 45.97 | 0.91    | 23.11 | 1.82    | 46.23 | 1.55    | 39.40 | 0.50        | 12.70    | 0.70     | 17.78    |
|                            | 40      |                      | 1.11         | 28.24 | 1.03          | 26.09 | 1.05    | 26.67 | 2.16    | 54.86 | 0.91    | 23.11 | 2.18    | 55.37 | 1.33    | 33.83 | 0.35        | 8.89     | 0.63     | 15.88    |
|                            | 51*     |                      | 1.11         | 28.24 | 1.16          | 29.36 | 2.04    | 51.82 | 2.44    | 61.98 | 1.94    | 49.28 | 2.52    | 64.01 | 1.77    | 44.96 | 0.63        | 15.88    | 0.94     | 23.80    |
|                            | 75      |                      | 1.11         | 28.24 | 1.03          | 26.09 | 1.05    | 26.67 | 2.16    | 54.86 | 0.91    | 23.11 | 2.18    | 55.37 | 0.96    | 24.31 | 0.13        | 3.18     | 0.31     | 7.92     |

\* Denotes Style-2 (see page 486)

TABLE CONTINUES ON NEXT PAGE

For more cable entry and length options see page 486 or email: [sales@backshellworld.com](mailto:sales@backshellworld.com)  
All dimensions for reference only.



### For Connector Family J

26482 Matrix Series 2

5015 Matrix (MS345X)

83723 Matrix & Pyle Series III

Connector Family "J", includes:  
MIL-DTL-26482 Series 2,  
MIL-DTL-5015 Matrix (MS345X)  
MIL-DTL-83723 Series III



**MIL Part Number**  
**M85049 / 10 -10 W**

MIL Series: \_\_\_\_\_  
Slash Sheet: \_\_\_\_\_  
10: Straight, Spin Coupling

Finish:  
See Table-2  
(pg. 486)

Dash Number:  
See Table-A

| MIL PART NUMBER DESIGNATOR |         | CONNECTOR SHELL SIZE | A DIA. (MAX) |       | B (MAX) |       | C (REF) L MAX |       | G (MAX) L MAX |       | CABLE RANGE |       |          |       |
|----------------------------|---------|----------------------|--------------|-------|---------|-------|---------------|-------|---------------|-------|-------------|-------|----------|-------|
| SHELL SIZE                 | DASH NO |                      | INCH         | MM    | INCH    | MM    | INCH          | MM    | INCH          | MM    | MIN WIRE    |       | MAX WIRE |       |
|                            |         |                      |              |       |         |       |               |       |               |       | INCH        | MM    | INCH     | MM    |
| 08                         | 05      | 8                    | 0.62         | 15.67 | 2.13    | 54.10 | 1.54          | 39.22 | 0.96          | 24.31 | 0.13        | 3.18  | 0.25     | 6.35  |
|                            | 06      |                      | 0.62         | 15.67 | 3.13    | 79.50 | 1.54          | 39.22 | 0.96          | 24.31 | 0.13        | 3.18  | 0.25     | 6.35  |
|                            | 07*     |                      | 0.62         | 15.67 | 2.88    | 73.15 | 1.54          | 39.22 | 1.15          | 29.08 | 0.25        | 6.35  | 0.44     | 11.10 |
|                            | 08*     |                      | 0.62         | 15.67 | 3.88    | 98.55 | 1.54          | 39.22 | 1.15          | 29.08 | 0.25        | 6.35  | 0.44     | 11.10 |
| 10                         | 09      | 10                   | 0.73         | 18.64 | 2.13    | 54.10 | 1.54          | 39.22 | 0.96          | 24.31 | 0.13        | 3.18  | 0.31     | 7.92  |
|                            | 10      |                      | 0.73         | 18.64 | 3.13    | 79.50 | 1.54          | 39.22 | 0.96          | 24.31 | 0.13        | 3.18  | 0.31     | 7.92  |
|                            | 11*     |                      | 0.73         | 18.64 | 2.88    | 73.15 | 1.54          | 39.22 | 1.15          | 29.08 | 0.25        | 6.35  | 0.44     | 11.10 |
|                            | 12*     |                      | 0.73         | 18.64 | 3.88    | 98.55 | 1.54          | 39.22 | 1.15          | 29.08 | 0.25        | 6.35  | 0.44     | 11.10 |
|                            | 136     |                      | 0.73         | 18.64 | 2.13    | 54.10 | 1.54          | 39.22 | 1.15          | 29.08 | 0.25        | 6.35  | 0.38     | 9.53  |
| 12                         | 137     | 7/12                 | 0.73         | 18.64 | 3.13    | 79.50 | 1.54          | 39.22 | 1.15          | 29.08 | 0.25        | 6.35  | 0.38     | 9.53  |
|                            | 13      |                      | 0.86         | 21.79 | 2.13    | 54.10 | 1.54          | 39.22 | 1.15          | 29.08 | 0.25        | 6.35  | 0.44     | 11.10 |
|                            | 14      |                      | 0.86         | 21.79 | 3.13    | 79.50 | 1.54          | 39.22 | 1.15          | 29.08 | 0.25        | 6.35  | 0.44     | 11.10 |
|                            | 15*     |                      | 0.86         | 21.79 | 2.88    | 73.15 | 1.84          | 46.84 | 1.33          | 33.83 | 0.35        | 8.89  | 0.63     | 15.88 |
|                            | 16*     |                      | 0.86         | 21.79 | 3.88    | 98.55 | 1.84          | 46.84 | 1.33          | 33.83 | 0.35        | 8.89  | 0.63     | 15.88 |
|                            | 111     |                      | 0.86         | 21.79 | 2.13    | 54.10 | 1.84          | 46.84 | 1.33          | 33.83 | 0.35        | 8.89  | 0.50     | 12.70 |
|                            | 114     |                      | 0.86         | 21.79 | 2.13    | 54.10 | 1.54          | 39.22 | 0.96          | 24.31 | 0.13        | 3.18  | 0.31     | 7.92  |
|                            | 115     |                      | 0.86         | 21.79 | 3.13    | 79.50 | 1.54          | 39.22 | 0.96          | 24.31 | 0.13        | 3.18  | 0.31     | 7.92  |
|                            | 138     |                      | 0.86         | 21.79 | 2.13    | 54.10 | 1.84          | 46.84 | 1.33          | 33.83 | 0.35        | 8.89  | 0.50     | 12.70 |
|                            | 139     |                      | 0.86         | 21.79 | 3.13    | 79.50 | 1.84          | 46.84 | 1.33          | 33.83 | 0.35        | 8.89  | 0.50     | 12.70 |
| 14                         | 17      | 12/14                | 0.98         | 24.99 | 2.13    | 54.10 | 1.84          | 46.84 | 1.33          | 33.83 | 0.35        | 8.89  | 0.58     | 14.61 |
|                            | 18      |                      | 0.98         | 24.99 | 3.13    | 79.50 | 1.84          | 46.84 | 1.33          | 33.83 | 0.35        | 8.89  | 0.58     | 14.61 |
|                            | 19*     |                      | 0.98         | 24.99 | 2.88    | 73.15 | 1.92          | 48.67 | 1.55          | 39.40 | 0.50        | 12.70 | 0.75     | 19.05 |
|                            | 20*     |                      | 0.98         | 24.99 | 3.88    | 98.55 | 1.92          | 48.67 | 1.55          | 39.40 | 0.50        | 12.70 | 0.75     | 19.05 |
|                            | 116     |                      | 0.98         | 24.99 | 2.13    | 54.10 | 1.54          | 39.22 | 1.15          | 29.08 | 0.25        | 6.35  | 0.44     | 11.10 |
|                            | 117     |                      | 0.98         | 24.99 | 3.13    | 79.50 | 1.54          | 39.22 | 1.15          | 29.08 | 0.25        | 6.35  | 0.44     | 11.10 |
|                            | 150     |                      | 0.98         | 24.99 | 2.13    | 54.10 | 1.54          | 39.22 | 0.96          | 24.31 | 0.13        | 3.18  | 0.31     | 7.92  |
|                            | 151     |                      | 0.98         | 24.99 | 3.13    | 79.50 | 1.54          | 39.22 | 0.96          | 24.31 | 0.13        | 3.18  | 0.31     | 7.92  |
| 16                         | 21      | 19/16                | 1.11         | 28.24 | 2.13    | 54.10 | 1.92          | 48.67 | 1.55          | 39.40 | 0.50        | 12.70 | 0.70     | 17.78 |
|                            | 22      |                      | 1.11         | 28.24 | 3.13    | 79.50 | 1.92          | 48.67 | 1.55          | 39.40 | 0.50        | 12.70 | 0.70     | 17.78 |
|                            | 23*     |                      | 1.11         | 28.24 | 2.88    | 73.15 | 2.00          | 50.80 | 1.77          | 44.96 | 0.63        | 15.88 | 0.94     | 23.80 |
|                            | 24*     |                      | 1.11         | 28.24 | 3.88    | 98.55 | 2.00          | 50.80 | 1.77          | 44.96 | 0.63        | 15.88 | 0.94     | 23.80 |
|                            | 112     |                      | 1.11         | 28.24 | 2.13    | 54.10 | 1.54          | 39.22 | 1.15          | 29.08 | 0.25        | 6.35  | 0.44     | 11.10 |
|                            | 113     |                      | 1.11         | 28.24 | 3.13    | 79.50 | 1.54          | 39.22 | 1.15          | 29.08 | 0.25        | 6.35  | 0.44     | 11.10 |
|                            | 118     |                      | 1.11         | 28.24 | 2.13    | 54.10 | 1.84          | 46.84 | 1.33          | 33.83 | 0.35        | 8.89  | 0.63     | 15.88 |
|                            | 119     |                      | 1.11         | 28.24 | 3.13    | 79.50 | 1.84          | 46.84 | 1.33          | 33.83 | 0.35        | 8.89  | 0.63     | 15.88 |
|                            | 152     |                      | 1.11         | 28.24 | 2.13    | 54.10 | 1.54          | 39.22 | 0.96          | 24.31 | 0.13        | 3.18  | 0.31     | 7.92  |
|                            | 153     |                      | 1.11         | 28.24 | 3.13    | 79.50 | 1.54          | 39.22 | 0.96          | 24.31 | 0.13        | 3.18  | 0.31     | 7.92  |

\* Denotes Style-2 (see page 486)

TABLE CONTINUES ON NEXT PAGE

For more cable entry and length options see page 486 or email: sales@backshellworld.com

All dimensions for reference only.

# Environmental EMI/RFI Backshell

Straight, Spin Coupling, cont.



## For Connector Family J

Connector Family "J", includes:  
 MIL-DTL-26482 Series 2,  
 MIL-DTL-5015 Matrix (MS345X)  
 MIL-DTL-83723 Series III

**26482 Matrix Series 2**

**5015 Matrix (MS345X)**

**83723 Matrix & Pyle Series III**

**38999**

- III
- HD
- Dualok
- II
- I
- SJT
- Accessories
- Aquacon
- Herm/Seal
- PCB

- Fiber Optics
- High Speed
- Contacts

- EMI Filter
- Transient

- Matrix 2
- 26482

- Matrix | Pyle
- III
- 83723

- Pyle
- 26500

- Crimp Rear Release Matrix
- 5015

- Class I
- 22992

- Backshells

- Options
- Others

| MIL PART NUMBER DESIGNATOR |         | CONNECTOR SHELL SIZE | TABLE - A    |        |         |        |               |       |               |        |             |       |          |       |    |
|----------------------------|---------|----------------------|--------------|--------|---------|--------|---------------|-------|---------------|--------|-------------|-------|----------|-------|----|
| SHELL SIZE                 | DASH NO |                      | A DIA. (MAX) |        | B (MAX) |        | C (REF) L MAX |       | G (MAX) L MAX |        | CABLE RANGE |       |          |       |    |
|                            |         |                      | INCH         | MM     | INCH    | MM     | INCH          | MM    | INCH          | MM     | MIN WIRE    |       | MAX WIRE |       |    |
|                            |         |                      |              |        |         |        |               |       |               |        |             | INCH  | MM       | INCH  | MM |
| 18                         | 25      | 27/18                | 1.22         | 30.94  | 2.13    | 54.10  | 1.84          | 46.84 | 1.33          | 33.83  | 0.35        | 8.89  | 0.63     | 15.88 |    |
|                            | 26      |                      | 1.22         | 30.94  | 3.13    | 79.50  | 1.84          | 46.84 | 1.33          | 33.83  | 0.35        | 8.89  | 0.63     | 15.88 |    |
|                            | 27      |                      | 1.22         | 30.94  | 2.13    | 54.10  | 1.92          | 48.67 | 1.55          | 39.40  | 0.50        | 12.70 | 0.75     | 19.05 |    |
|                            | 28      |                      | 1.22         | 30.94  | 3.13    | 79.50  | 1.92          | 48.67 | 1.55          | 39.40  | 0.50        | 12.70 | 0.75     | 19.05 |    |
|                            | 29*     |                      | 1.22         | 30.94  | 2.88    | 73.15  | 2.00          | 50.80 | 1.77          | 44.96  | 0.63        | 15.88 | 0.94     | 23.80 |    |
|                            | 30*     |                      | 1.22         | 30.94  | 3.88    | 98.55  | 2.00          | 50.80 | 1.77          | 44.96  | 0.63        | 15.88 | 0.94     | 23.80 |    |
|                            | 120     |                      | 1.22         | 30.94  | 2.13    | 54.10  | 1.54          | 39.22 | 0.96          | 24.31  | 0.13        | 3.18  | 0.31     | 7.92  |    |
|                            | 121     |                      | 1.22         | 30.94  | 3.13    | 79.50  | 1.54          | 39.22 | 0.96          | 24.31  | 0.13        | 3.18  | 0.31     | 7.92  |    |
|                            | 122     |                      | 1.22         | 30.94  | 2.13    | 54.10  | 1.54          | 39.22 | 1.15          | 29.08  | 0.25        | 6.35  | 0.44     | 11.10 |    |
|                            | 123     |                      | 1.22         | 30.94  | 3.13    | 79.50  | 1.54          | 39.22 | 1.15          | 29.08  | 0.25        | 6.35  | 0.44     | 11.10 |    |
| 20                         | 31      | 37/20                | 1.35         | 34.16  | 3.13    | 79.50  | 1.84          | 46.84 | 1.33          | 33.83  | 0.35        | 8.89  | 0.63     | 15.88 |    |
|                            | 32      |                      | 1.35         | 34.16  | 4.13    | 104.90 | 1.84          | 46.84 | 1.33          | 33.83  | 0.35        | 8.89  | 0.63     | 15.88 |    |
|                            | 33      |                      | 1.35         | 34.16  | 3.13    | 79.50  | 1.92          | 48.67 | 1.55          | 39.40  | 0.50        | 12.70 | 0.75     | 19.05 |    |
|                            | 34      |                      | 1.35         | 34.16  | 4.13    | 104.90 | 1.92          | 48.67 | 1.55          | 39.40  | 0.50        | 12.70 | 0.75     | 19.05 |    |
|                            | 35*     |                      | 1.35         | 34.16  | 3.88    | 98.55  | 2.00          | 50.80 | 1.77          | 44.96  | 0.63        | 15.88 | 0.94     | 23.80 |    |
|                            | 36*     |                      | 1.35         | 34.16  | 4.88    | 123.95 | 2.00          | 50.80 | 1.77          | 44.96  | 0.63        | 15.88 | 0.94     | 23.80 |    |
|                            | 37*     |                      | 1.35         | 34.16  | 3.88    | 98.55  | 2.23          | 56.64 | 2.11          | 53.67  | 0.88        | 22.23 | 1.25     | 31.75 |    |
|                            | 38*     |                      | 1.35         | 34.16  | 4.88    | 123.95 | 2.23          | 56.64 | 2.11          | 53.67  | 0.88        | 22.23 | 1.25     | 31.75 |    |
|                            | 124     |                      | 1.35         | 34.16  | 3.13    | 79.50  | 1.54          | 39.22 | 1.15          | 29.08  | 0.25        | 6.35  | 0.44     | 11.10 |    |
|                            | 125     |                      | 1.35         | 34.16  | 4.13    | 104.90 | 1.54          | 39.22 | 1.15          | 29.08  | 0.25        | 6.35  | 0.44     | 11.10 |    |
| 140                        | 1.35    | 34.16                | 3.13         | 79.50  | 2.00    | 50.80  | 1.77          | 44.96 | 0.63          | 15.88  | 0.90        | 22.96 |          |       |    |
| 141                        | 1.35    | 34.16                | 4.13         | 104.90 | 2.00    | 50.80  | 1.77          | 44.96 | 0.63          | 15.88  | 0.90        | 22.96 |          |       |    |
| 22                         | 39      | 22                   | 1.47         | 37.29  | 3.13    | 79.50  | 1.84          | 46.84 | 1.33          | 33.83  | 0.35        | 8.89  | 0.63     | 15.88 |    |
|                            | 40      |                      | 1.47         | 37.29  | 4.13    | 104.90 | 1.84          | 46.84 | 1.33          | 33.83  | 0.35        | 8.89  | 0.63     | 15.88 |    |
|                            | 41      |                      | 1.47         | 37.29  | 3.13    | 79.50  | 1.92          | 48.67 | 1.55          | 39.40  | 0.50        | 12.70 | 0.75     | 19.05 |    |
|                            | 42      |                      | 1.47         | 37.29  | 4.13    | 104.90 | 1.92          | 48.67 | 1.55          | 39.40  | 0.50        | 12.70 | 0.75     | 19.05 |    |
|                            | 43      |                      | 1.47         | 37.29  | 3.13    | 79.50  | 2.00          | 50.80 | 1.77          | 44.96  | 0.63        | 15.88 | 0.94     | 23.80 |    |
|                            | 44      |                      | 1.47         | 37.29  | 4.13    | 104.90 | 2.00          | 50.80 | 1.77          | 44.96  | 0.63        | 15.88 | 0.94     | 23.80 |    |
|                            | 45*     |                      | 1.47         | 37.29  | 3.88    | 98.55  | 2.23          | 56.64 | 2.11          | 53.67  | 0.88        | 22.23 | 1.25     | 31.75 |    |
|                            | 46*     |                      | 1.47         | 37.29  | 4.88    | 123.95 | 2.23          | 56.64 | 2.11          | 53.67  | 0.88        | 22.23 | 1.25     | 31.75 |    |
|                            | 126     |                      | 1.47         | 37.29  | 3.13    | 79.50  | 1.54          | 39.22 | 0.96          | 24.31  | 0.13        | 3.18  | 0.31     | 7.92  |    |
|                            | 127     |                      | 1.47         | 37.29  | 4.13    | 104.90 | 1.54          | 39.22 | 0.96          | 24.31  | 0.13        | 3.18  | 0.31     | 7.92  |    |
|                            | 128     |                      | 1.47         | 37.29  | 3.13    | 79.50  | 1.54          | 39.22 | 1.15          | 29.08  | 0.25        | 6.35  | 0.44     | 11.10 |    |
|                            | 129     |                      | 1.47         | 37.29  | 4.13    | 104.90 | 1.54          | 39.22 | 1.15          | 29.08  | 0.25        | 6.35  | 0.44     | 11.10 |    |
|                            | 142     |                      | 1.47         | 37.29  | 3.13    | 79.50  | 2.23          | 56.64 | 2.11          | 53.67  | 0.88        | 22.23 | 1.03     | 26.14 |    |
|                            | 143     |                      | 1.47         | 37.29  | 4.13    | 104.90 | 2.23          | 56.64 | 2.11          | 53.67  | 0.88        | 22.23 | 1.03     | 26.14 |    |
| 24                         | 47      | 24                   | 1.59         | 40.46  | 3.13    | 79.50  | 1.92          | 48.67 | 1.55          | 39.40  | 0.50        | 12.70 | 0.75     | 19.05 |    |
|                            | 48      |                      | 1.59         | 40.46  | 4.13    | 104.90 | 1.92          | 48.67 | 1.55          | 39.40  | 0.50        | 12.70 | 0.75     | 19.05 |    |
|                            | 49      |                      | 1.59         | 40.46  | 3.13    | 79.50  | 2.00          | 50.80 | 1.77          | 44.96  | 0.63        | 15.88 | 0.81     | 20.62 |    |
|                            | 50      |                      | 1.59         | 40.46  | 4.13    | 104.90 | 2.00          | 50.80 | 1.77          | 44.96  | 0.63        | 15.88 | 0.81     | 20.62 |    |
|                            | 51      |                      | 1.59         | 40.46  | 3.13    | 79.50  | 2.00          | 50.80 | 1.77          | 44.96  | 0.63        | 15.88 | 0.94     | 23.80 |    |
|                            | 52      |                      | 1.59         | 40.46  | 4.13    | 104.90 | 2.00          | 50.80 | 1.77          | 44.96  | 0.63        | 15.88 | 0.94     | 23.80 |    |
|                            | 53*     |                      | 1.59         | 40.46  | 3.88    | 98.55  | 2.23          | 56.64 | 2.11          | 53.67  | 0.88        | 22.23 | 1.25     | 31.75 |    |
|                            | 54*     |                      | 1.59         | 40.46  | 4.88    | 123.95 | 2.23          | 56.64 | 2.11          | 53.67  | 0.88        | 22.23 | 1.25     | 31.75 |    |
|                            | 130     |                      | 1.59         | 40.46  | 3.13    | 79.50  | 1.84          | 46.84 | 1.33          | 33.83  | 0.35        | 8.89  | 0.63     | 15.88 |    |
|                            | 131     |                      | 1.59         | 40.46  | 4.13    | 104.90 | 1.84          | 46.84 | 1.33          | 33.83  | 0.35        | 8.89  | 0.63     | 15.88 |    |
|                            | 144     |                      | 1.59         | 40.46  | 3.13    | 79.50  | 2.23          | 56.64 | 2.11          | 53.67  | 0.88        | 22.23 | 1.14     | 29.06 |    |
|                            | 145     |                      | 1.59         | 40.46  | 4.13    | 104.90 | 2.23          | 56.64 | 2.11          | 53.67  | 0.88        | 22.23 | 1.14     | 29.06 |    |
| 28                         | 55      | 28                   | 1.97         | 50.01  | 3.13    | 79.50  | 1.92          | 48.67 | 1.55          | 39.40  | 0.50        | 12.70 | 0.75     | 19.05 |    |
|                            | 56      |                      | 1.97         | 50.01  | 4.13    | 104.90 | 1.92          | 48.67 | 1.55          | 39.40  | 0.50        | 12.70 | 0.75     | 19.05 |    |
|                            | 57      |                      | 1.97         | 50.01  | 3.13    | 79.50  | 2.00          | 50.80 | 1.77          | 44.96  | 0.63        | 15.88 | 0.94     | 23.80 |    |
|                            | 58      |                      | 1.97         | 50.01  | 4.13    | 104.90 | 2.00          | 50.80 | 1.77          | 44.96  | 0.63        | 15.88 | 0.94     | 23.80 |    |
|                            | 59      |                      | 1.97         | 50.01  | 3.13    | 79.50  | 2.23          | 56.64 | 2.11          | 53.67  | 0.88        | 22.23 | 1.25     | 31.75 |    |
|                            | 60      |                      | 1.97         | 50.01  | 4.13    | 104.90 | 2.23          | 56.64 | 2.11          | 53.67  | 0.88        | 22.23 | 1.25     | 31.75 |    |
|                            | 61      |                      | 1.97         | 50.01  | 3.13    | 79.50  | 2.02          | 51.41 | 23.63         | 600.20 | 1.00        | 25.40 | 1.38     | 34.93 |    |
| 62                         | 1.97    | 50.01                | 4.13         | 104.90 | 2.02    | 51.41  | 2.36          | 60.02 | 1.00          | 25.40  | 1.38        | 34.93 |          |       |    |

\* Denotes Style-2 (see page 486). For more cable entry and length options see page 486 or email: sales@backshellworld.com. All dimensions for reference only.

TABLE CONTINUES ON NEXT PAGE

### For Connector Family J

**26482 Matrix Series 2**

**5015 Matrix (MS345X)**

**83723 Matrix & Pyle Series III**

Connector Family "J", includes:  
MIL-DTL-26482 Series 2,  
MIL-DTL-5015 Matrix (MS345X)  
MIL-DTL-83723 Series III

| MIL PART NUMBER DESIGNATOR |         | CONNECTOR SHELL SIZE | TABLE - A    |        |         |        |               |        |               |       |             |       |          |        |
|----------------------------|---------|----------------------|--------------|--------|---------|--------|---------------|--------|---------------|-------|-------------|-------|----------|--------|
| SHELL SIZE                 | DASH NO |                      | A DIA. (MAX) |        | B (MAX) |        | C (REF) L MAX |        | G (MAX) L MAX |       | CABLE RANGE |       |          |        |
|                            |         |                      | INCH         | MM     | INCH    | MM     | INCH          | MM     | INCH          | MM    | MIN WIRE    |       | MAX WIRE |        |
|                            |         |                      |              |        |         |        |               |        |               | INCH  | MM          | INCH  | MM       |        |
| 32                         | 63      | 32                   | 2.22         | 56.36  | 3.13    | 79.50  | 2.00          | 50.80  | 1.77          | 44.96 | 0.63        | 15.88 | 0.94     | 23.80  |
|                            | 64      |                      | 2.22         | 56.36  | 4.13    | 104.90 | 2.00          | 50.80  | 1.77          | 44.96 | 0.63        | 15.88 | 0.94     | 23.80  |
|                            | 65      |                      | 2.22         | 56.36  | 3.13    | 79.50  | 2.23          | 56.64  | 2.11          | 53.67 | 0.88        | 22.23 | 12.50    | 317.50 |
|                            | 66      |                      | 2.22         | 56.36  | 4.13    | 104.90 | 2.23          | 56.64  | 2.11          | 53.67 | 0.88        | 22.23 | 1.25     | 31.75  |
|                            | 67      |                      | 2.22         | 56.36  | 3.13    | 79.50  | 2.02          | 51.41  | 2.36          | 60.02 | 1.00        | 25.40 | 1.38     | 34.93  |
|                            | 68      |                      | 2.22         | 56.36  | 4.13    | 104.90 | 2.02          | 51.41  | 2.36          | 60.02 | 1.00        | 25.40 | 1.38     | 34.93  |
|                            | 69      |                      | 2.22         | 56.36  | 3.13    | 79.50  | 2.55          | 64.77  | 2.77          | 70.36 | 1.25        | 31.75 | 1.63     | 41.28  |
|                            | 70      |                      | 2.22         | 56.36  | 4.13    | 104.90 | 2.55          | 64.77  | 2.77          | 70.36 | 1.25        | 31.75 | 1.63     | 41.28  |
| 36                         | 71      | 36                   | 2.47         | 62.71  | 4.13    | 104.90 | 2.23          | 56.64  | 2.11          | 53.67 | 0.88        | 22.23 | 1.25     | 31.75  |
|                            | 72      |                      | 2.47         | 62.71  | 5.13    | 130.30 | 2.23          | 56.64  | 2.11          | 53.67 | 0.88        | 22.23 | 1.25     | 31.75  |
|                            | 73      |                      | 2.47         | 62.71  | 4.13    | 104.90 | 2.02          | 51.41  | 2.36          | 60.02 | 1.00        | 25.40 | 1.38     | 34.93  |
|                            | 74      |                      | 2.47         | 62.71  | 5.13    | 130.30 | 2.02          | 51.41  | 2.36          | 60.02 | 1.00        | 25.40 | 1.38     | 34.93  |
|                            | 75      |                      | 2.47         | 62.71  | 4.13    | 104.90 | 2.55          | 64.77  | 2.77          | 70.36 | 1.25        | 31.75 | 1.63     | 41.28  |
|                            | 76      |                      | 2.47         | 62.71  | 5.13    | 130.30 | 2.55          | 64.77  | 2.77          | 70.36 | 1.25        | 31.75 | 1.63     | 41.28  |
|                            | 77*     |                      | 2.47         | 62.71  | 5.01    | 127.25 | 2.60          | 66.04  | 3.02          | 76.71 | 1.44        | 36.50 | 1.88     | 47.63  |
|                            | 78*     |                      | 2.47         | 62.71  | 6.01    | 152.65 | 2.60          | 66.04  | 3.02          | 76.71 | 1.44        | 36.50 | 1.88     | 47.63  |
|                            | 132     |                      | 2.47         | 62.71  | 4.13    | 104.90 | 1.92          | 48.67  | 1.55          | 39.40 | 0.50        | 12.70 | 0.75     | 19.05  |
|                            | 133     |                      | 2.47         | 62.71  | 5.13    | 130.30 | 1.92          | 48.67  | 1.55          | 39.40 | 0.50        | 12.70 | 0.75     | 19.05  |
|                            | 146     |                      | 2.47         | 62.71  | 4.13    | 104.90 | 2.60          | 66.04  | 3.02          | 76.71 | 1.44        | 36.50 | 1.84     | 46.74  |
|                            | 147     |                      | 2.47         | 62.71  | 5.13    | 130.30 | 2.60          | 66.04  | 3.02          | 76.71 | 1.44        | 36.50 | 1.84     | 46.74  |
|                            | 148     |                      | 2.47         | 62.71  | 4.13    | 104.90 | 2.00          | 50.80  | 1.77          | 44.96 | 0.63        | 15.88 | 0.94     | 23.80  |
|                            | 149     |                      | 2.47         | 62.71  | 5.13    | 130.30 | 2.00          | 50.80  | 1.77          | 44.96 | 0.63        | 15.88 | 0.94     | 23.80  |
| 40                         | 79      | 40                   | 2.72         | 69.06  | 4.13    | 104.90 | 2.23          | 56.64  | 2.11          | 53.67 | 0.88        | 22.23 | 1.25     | 31.75  |
|                            | 80      |                      | 2.72         | 69.06  | 5.13    | 130.30 | 2.23          | 56.64  | 2.11          | 53.67 | 0.88        | 22.23 | 1.25     | 31.75  |
|                            | 81      |                      | 2.72         | 69.06  | 4.13    | 104.90 | 2.02          | 51.41  | 2.36          | 60.02 | 1.00        | 25.40 | 1.38     | 34.93  |
|                            | 82      |                      | 2.72         | 69.06  | 5.13    | 130.30 | 2.02          | 51.41  | 2.36          | 60.02 | 1.00        | 25.40 | 1.38     | 34.93  |
|                            | 83      |                      | 2.72         | 69.06  | 4.13    | 104.90 | 2.55          | 64.77  | 2.77          | 70.36 | 1.25        | 31.75 | 1.63     | 41.28  |
|                            | 84      |                      | 2.72         | 69.06  | 5.13    | 130.30 | 2.55          | 64.77  | 2.77          | 70.36 | 1.25        | 31.75 | 1.63     | 41.28  |
|                            | 85      |                      | 2.72         | 69.06  | 4.13    | 104.90 | 2.60          | 66.04  | 3.02          | 76.71 | 1.44        | 36.50 | 1.88     | 47.63  |
|                            | 86      |                      | 2.72         | 69.06  | 5.13    | 130.30 | 2.60          | 66.04  | 3.02          | 76.71 | 1.44        | 36.50 | 1.88     | 47.63  |
|                            | 134     |                      | 2.72         | 69.06  | 4.13    | 104.90 | 1.92          | 48.67  | 1.55          | 39.40 | 0.50        | 12.70 | 0.75     | 19.05  |
|                            | 135     |                      | 2.72         | 69.06  | 5.13    | 130.30 | 1.92          | 48.67  | 1.55          | 39.40 | 0.50        | 12.70 | 0.75     | 19.05  |
|                            | 156     |                      | 2.72         | 69.06  | 4.13    | 104.90 | 2.00          | 50.80  | 1.77          | 44.96 | 0.63        | 15.88 | 0.94     | 23.80  |
| 44                         | 87      | 44                   | 2.97         | 75.41  | 4.13    | 104.90 | 2.23          | 56.64  | 2.11          | 53.67 | 0.88        | 22.23 | 1.25     | 31.75  |
|                            | 88      |                      | 2.97         | 75.41  | 5.13    | 130.30 | 2.23          | 56.64  | 2.11          | 53.67 | 0.88        | 22.23 | 1.25     | 31.75  |
|                            | 89      |                      | 2.97         | 75.41  | 4.13    | 104.90 | 2.02          | 51.41  | 2.36          | 60.02 | 1.00        | 25.40 | 1.38     | 34.93  |
|                            | 90      |                      | 2.97         | 75.41  | 5.13    | 130.30 | 2.02          | 51.41  | 2.36          | 60.02 | 1.00        | 25.40 | 1.38     | 34.93  |
|                            | 91      |                      | 2.97         | 75.41  | 4.13    | 104.90 | 2.55          | 64.77  | 2.77          | 70.36 | 1.25        | 31.75 | 1.63     | 41.28  |
|                            | 92      |                      | 2.97         | 75.41  | 5.13    | 130.30 | 2.55          | 64.77  | 2.77          | 70.36 | 1.25        | 31.75 | 1.63     | 41.28  |
|                            | 93      |                      | 2.97         | 75.41  | 4.13    | 104.90 | 2.60          | 66.04  | 3.02          | 76.71 | 1.44        | 36.50 | 1.88     | 47.63  |
|                            | 94      |                      | 2.97         | 75.41  | 5.13    | 130.30 | 2.60          | 66.04  | 3.02          | 76.71 | 1.44        | 36.50 | 1.88     | 47.63  |
|                            | 154     |                      | 2.97         | 75.41  | 4.13    | 104.90 | 2.00          | 50.80  | 1.77          | 44.96 | 0.63        | 15.88 | 0.94     | 23.80  |
|                            | 155     |                      | 2.97         | 75.41  | 5.13    | 130.30 | 2.00          | 50.80  | 1.77          | 44.96 | 0.63        | 15.88 | 0.94     | 23.80  |
|                            | 48      |                      | 95           | 48     | 3.22    | 81.76  | 4.13          | 104.90 | 2.23          | 56.64 | 2.11        | 53.67 | 0.88     | 22.23  |
| 96                         |         | 3.22                 | 81.76        |        | 5.13    | 130.30 | 2.23          | 56.64  | 2.11          | 53.67 | 0.88        | 22.23 | 1.25     | 31.75  |
| 97                         |         | 3.22                 | 81.76        |        | 4.13    | 104.90 | 2.02          | 51.41  | 2.36          | 60.02 | 1.00        | 25.40 | 1.38     | 34.93  |
| 98                         |         | 3.22                 | 81.76        |        | 5.13    | 130.30 | 2.02          | 51.41  | 2.36          | 60.02 | 1.00        | 25.40 | 1.38     | 34.93  |
| 99                         |         | 3.22                 | 81.76        |        | 4.13    | 104.90 | 2.55          | 64.77  | 2.77          | 70.36 | 1.25        | 31.75 | 1.63     | 41.28  |
| 100                        |         | 3.22                 | 81.76        |        | 5.13    | 130.30 | 2.55          | 64.77  | 2.77          | 70.36 | 1.25        | 31.75 | 1.63     | 41.28  |
| 101                        |         | 3.22                 | 81.76        |        | 4.13    | 104.90 | 2.60          | 66.04  | 3.02          | 76.71 | 1.44        | 36.50 | 1.88     | 47.63  |
| 102                        | 3.22    | 81.76                | 5.13         | 130.30 | 2.60    | 66.04  | 3.02          | 76.71  | 1.44          | 36.50 | 1.88        | 47.63 |          |        |

\* Denotes Style-2 (see page 486)

For more cable entry and length options see page 486 or email: [sales@backshellworld.com](mailto:sales@backshellworld.com)

All dimensions for reference only.

### For Connector Family J

26482 Matrix Series 2

5015 Matrix (MS345X)

83723 Matrix & Pyle Series III

Connector Family "J", includes:  
 MIL-DTL-26482 Series 2,  
 MIL-DTL-5015 Matrix (MS345X)  
 MIL-DTL-83723 Series III



**MIL Part Number**  
**M85049 / 8 -10 W**

MIL Series \_\_\_\_\_ Finish: See Table-2 (pg. 486)  
 Slash Sheet: \_\_\_\_\_ Dash Number: See Table-A  
 8: 90°, Spin Coupling  
 6: 45°, Spin Coupling

38999

- III
- HD
- Dualok
- II
- I
- SJT
- Accessories
- Aquacon
- Herm/Seal
- PCB

- Fiber Optics
- High Speed
- Contacts

- EMI Filter
- Transient

26482 Matrix 2

83723 Matrix | Pyle III

26500 Pyle

5015 Crimp Rear Release Matrix

22992 Class I

Backshells

Options Others

TABLE - A

| MIL PART NUMBER DESIGNATOR |     | CONNECTOR SHELL SIZE | A DIA. (MAX) |       | B (REF) |       | C (MAX) |       | D (MAX) |       | E (MAX) |       | F (MAX) |       | G (MAX) |       | CABLE RANGE |          |      |       |      |    |  |  |
|----------------------------|-----|----------------------|--------------|-------|---------|-------|---------|-------|---------|-------|---------|-------|---------|-------|---------|-------|-------------|----------|------|-------|------|----|--|--|
|                            |     |                      | INCH         | MM    | INCH    | MM    | INCH    | MM    | INCH    | MM    | INCH    | MM    | INCH    | MM    | INCH    | MM    | MIN WIRE    | MAX WIRE | INCH | MM    | INCH | MM |  |  |
| 08                         | 3   | 8                    | 0.62         | 15.67 | 1.54    | 39.22 | 0.67    | 17.02 | 1.26    | 32.00 | 0.63    | 16.00 | 1.25    | 31.75 | 0.96    | 24.31 | 0.13        | 3.18     | 0.25 | 6.35  |      |    |  |  |
|                            | 4   |                      | 0.73         | 18.64 | 1.54    | 39.22 | 0.76    | 19.30 | 1.98    | 50.29 | 0.69    | 17.53 | 1.92    | 48.77 | 0.96    | 24.31 | 0.13        | 3.18     | 0.31 | 7.92  |      |    |  |  |
| 10                         | 49* | 10                   | 0.73         | 18.64 | 1.54    | 39.22 | 1.52    | 38.61 | 2.00    | 50.80 | 1.50    | 38.10 | 1.98    | 50.29 | 1.15    | 29.08 | 0.25        | 6.35     | 0.44 | 11.10 |      |    |  |  |
|                            | 5   |                      | 0.73         | 18.64 | 1.54    | 39.22 | 0.76    | 19.30 | 1.38    | 35.05 | 0.69    | 17.53 | 1.31    | 33.27 | 1.15    | 29.08 | 0.25        | 6.35     | 0.38 | 9.53  |      |    |  |  |
| 12                         | 6   | 7/12                 | 0.86         | 21.79 | 1.54    | 39.22 | 0.77    | 19.56 | 2.00    | 50.80 | 0.75    | 19.05 | 1.98    | 50.29 | 0.96    | 24.31 | 0.13        | 3.18     | 0.31 | 7.92  |      |    |  |  |
|                            | 71* |                      | 0.86         | 21.79 | 1.84    | 46.84 | 1.81    | 45.97 | 2.16    | 54.86 | 1.65    | 41.91 | 2.18    | 55.37 | 1.33    | 33.83 | 0.35        | 8.89     | 0.63 | 15.88 |      |    |  |  |
|                            | 7   |                      | 0.86         | 21.79 | 1.54    | 39.22 | 0.77    | 19.56 | 2.00    | 50.80 | 0.75    | 19.05 | 1.98    | 50.29 | 1.15    | 29.08 | 0.25        | 6.35     | 0.44 | 11.10 |      |    |  |  |
|                            | 8   |                      | 0.86         | 21.79 | 1.84    | 46.84 | 0.77    | 19.56 | 1.40    | 35.56 | 0.75    | 19.05 | 1.98    | 50.29 | 1.33    | 33.83 | 0.35        | 8.89     | 0.50 | 12.70 |      |    |  |  |
| 14                         | 9   | 12/14                | 0.98         | 24.99 | 1.54    | 39.22 | 0.87    | 22.10 | 2.07    | 52.58 | 0.81    | 20.57 | 2.07    | 52.58 | 1.15    | 29.08 | 0.25        | 6.35     | 0.44 | 11.10 |      |    |  |  |
|                            | 10  |                      | 0.98         | 24.99 | 1.84    | 46.84 | 0.87    | 22.10 | 1.72    | 43.69 | 0.81    | 20.57 | 1.72    | 43.69 | 1.33    | 33.83 | 0.35        | 8.89     | 0.58 | 14.61 |      |    |  |  |
|                            | 50* |                      | 0.98         | 24.99 | 1.92    | 48.67 | 1.89    | 48.01 | 2.33    | 59.18 | 1.84    | 46.74 | 2.37    | 60.20 | 1.55    | 39.40 | 0.50        | 12.70    | 0.75 | 19.05 |      |    |  |  |
|                            | 74  |                      | 0.98         | 24.99 | 1.54    | 39.22 | 0.87    | 22.10 | 2.07    | 52.58 | 0.81    | 20.57 | 2.07    | 52.58 | 0.96    | 24.31 | 0.13        | 3.18     | 0.31 | 7.92  |      |    |  |  |
| 16                         | 11  | 19/16                | 1.11         | 28.24 | 1.54    | 39.22 | 1.05    | 26.67 | 2.16    | 54.86 | 0.91    | 23.11 | 2.18    | 55.37 | 1.15    | 29.08 | 0.25        | 6.35     | 0.44 | 11.10 |      |    |  |  |
|                            | 12  |                      | 1.11         | 28.24 | 1.92    | 48.67 | 1.05    | 26.67 | 1.81    | 45.97 | 0.91    | 23.11 | 1.82    | 46.23 | 1.55    | 39.40 | 0.50        | 12.70    | 0.70 | 17.78 |      |    |  |  |
|                            | 40  |                      | 1.11         | 28.24 | 1.84    | 46.84 | 1.05    | 26.67 | 2.16    | 54.86 | 0.91    | 23.11 | 2.18    | 55.37 | 1.33    | 33.83 | 0.35        | 8.89     | 0.63 | 15.88 |      |    |  |  |
|                            | 51* |                      | 1.11         | 28.24 | 2.00    | 50.80 | 2.04    | 51.82 | 2.44    | 61.98 | 1.94    | 49.28 | 2.52    | 64.01 | 1.77    | 44.96 | 0.63        | 15.88    | 0.94 | 23.80 |      |    |  |  |
|                            | 75  |                      | 1.11         | 28.24 | 1.54    | 39.22 | 1.05    | 26.67 | 2.16    | 54.86 | 0.91    | 23.11 | 2.18    | 55.37 | 0.96    | 24.31 | 0.13        | 3.18     | 0.31 | 7.92  |      |    |  |  |

\* Denotes Style-2 (see page 486)

For more cable entry and length options see page 486 or email: sales@backshellworld.com

All dimensions for reference only.

TABLE CONTINUES ON NEXT PAGE





# Shrink Boot Adapter

## Straight, Spin Coupling

### For Connector Family J

26482 Matrix Series 2

5015 Matrix (MS345X)

83723 Matrix & Pyle Series III

Connector Family "J", includes:  
 MIL-DTL-26482 Series 2,  
 MIL-DTL-5015 Matrix (MS345X)  
 MIL-DTL-83723 Series III



TABLE-A

| MIL PART NUMBER DESIGNATOR | CONNECTOR SHELL SIZE | A DIA. (MAX) |       | B (MAX) |       | C DIA. (MIN) |       | D DIA. (MAX) |       |
|----------------------------|----------------------|--------------|-------|---------|-------|--------------|-------|--------------|-------|
|                            |                      | INCH         | MM    | INCH    | MM    | INCH         | MM    | INCH         | MM    |
| DASH NO 8                  | 8                    | 0.62         | 15.67 | 1.19    | 30.15 | 0.25         | 6.35  | 0.53         | 13.54 |
| 10                         | 10                   | 0.73         | 18.64 | 1.19    | 30.15 | 0.36         | 9.02  | 0.61         | 15.37 |
| 12                         | 7/12                 | 0.86         | 21.79 | 1.19    | 30.15 | 0.49         | 12.47 | 0.77         | 19.66 |
| 14                         | 12/14                | 0.98         | 24.99 | 1.19    | 30.15 | 0.57         | 14.35 | 0.84         | 21.29 |
| 16                         | 19/16                | 1.11         | 28.24 | 1.19    | 30.15 | 0.69         | 17.53 | 0.96         | 24.46 |
| 18                         | 27/18                | 1.22         | 30.94 | 1.19    | 30.15 | 0.77         | 19.53 | 1.04         | 26.47 |
| 20                         | 37/20                | 1.35         | 34.16 | 1.19    | 30.15 | 0.89         | 22.71 | 1.22         | 30.91 |
| 22                         | 22                   | 1.47         | 37.29 | 1.19    | 30.15 | 1.02         | 25.88 | 1.36         | 34.42 |
| 24                         | 24                   | 1.59         | 40.46 | 1.19    | 30.15 | 1.13         | 28.80 | 1.44         | 36.65 |
| 28                         | 28                   | 1.97         | 50.01 | 1.51    | 38.38 | 1.37         | 34.77 | 1.71         | 43.41 |
| 32                         | 32                   | 2.22         | 56.36 | 1.51    | 38.38 | 1.62         | 41.02 | 1.92         | 48.74 |
| 36                         | 36                   | 2.47         | 62.71 | 1.51    | 38.38 | 1.83         | 46.48 | 2.17         | 55.09 |
| 40                         | 40                   | 2.72         | 69.06 | 1.51    | 38.38 | 2.05         | 51.94 | 2.40         | 61.01 |
| 44                         | 44                   | 2.97         | 75.41 | 1.51    | 38.38 | 2.30         | 58.42 | 2.66         | 67.49 |
| 48                         | 48                   | 3.22         | 81.76 | 1.51    | 38.38 | 2.55         | 64.77 | 2.91         | 73.84 |

\* Denotes Style-2 (see page 486)

For more cable entry and length options see page 486 or email: sales@backshellworld.com  
 All dimensions for reference only.

38999

III

HD

Dualok

II

I

SJT

Accessories

Aquacon

Herm/Seal

PCB

Fiber

Optics

High Speed

Contacts

EMI Filter

Transient

Matrix 2

26482

Matrix III

83723

Pyle

26500

Crimp Rear Release Matrix

5015

Class I

22992

Back-

Shells

Options

Others

**26482 Matrix Series 2**

**5015 Matrix (MS345X)**

**83723 Matrix & Pyle Series III**

Connector Family "J", includes:  
MIL-DTL-26482 Series 2,  
MIL-DTL-5015 Matrix (MS345X)  
MIL-DTL-83723 Series III



**MIL Part Number**

**M85049 / 26 -1 -10 W**

MIL Series: M85049  
 Slash Sheet: 26: Straight, Spin Coupling  
 Crimp Ring: 1: Adapter, 2: Crimp Ring, 3: Adapter with Crimp Ring  
 Finish: See Table-2 (pg. 486) (Omit for "26-2")  
 Dash Number: See Table-A (for 26-1 & 26-3) Table-B (for 26-2)

| MIL PART NUMBER DESIGNATOR | CONNECTOR SHELL SIZE | A DIA (MAX) |       | B (MAX) |       | C (MAX) |       | D DIA (MAX) |       | E DIA. (MAX) |       |
|----------------------------|----------------------|-------------|-------|---------|-------|---------|-------|-------------|-------|--------------|-------|
|                            |                      | INCH        | MM    | INCH    | MM    | INCH    | MM    | INCH        | MM    | INCH         | MM    |
| 8                          | 8                    | 0.62        | 15.67 | 1.28    | 32.34 | 0.96    | 24.38 | 0.25        | 6.35  | 0.35         | 8.81  |
| 10                         | 10                   | 0.73        | 18.64 | 1.28    | 32.34 | 0.96    | 24.38 | 0.33        | 8.26  | 0.50         | 12.70 |
| 12                         | 7/12                 | 0.86        | 21.79 | 1.28    | 32.34 | 0.96    | 24.38 | 0.42        | 10.67 | 0.51         | 12.95 |
| 14                         | 12/14                | 0.98        | 24.99 | 1.28    | 32.34 | 0.96    | 24.38 | 0.54        | 13.72 | 0.63         | 16.00 |
| 16                         | 19/16                | 1.11        | 28.24 | 1.28    | 32.34 | 0.96    | 24.38 | 0.67        | 17.02 | 0.76         | 19.30 |
| 18                         | 27/18                | 1.22        | 30.94 | 1.28    | 32.34 | 0.96    | 24.38 | 0.79        | 20.04 | 0.89         | 22.61 |
| 20                         | 37/20                | 1.35        | 34.16 | 1.28    | 32.34 | 0.96    | 24.38 | 0.91        | 23.22 | 1.01         | 25.65 |
| 22                         | 22                   | 1.47        | 37.29 | 1.28    | 32.34 | 0.96    | 24.38 | 1.04        | 26.39 | 1.13         | 28.70 |
| 24                         | 24                   | 1.59        | 40.46 | 1.28    | 32.34 | 0.96    | 24.38 | 1.11        | 28.24 | 1.20         | 30.48 |
| 28                         | 28                   | 1.97        | 50.01 | 1.44    | 36.55 | 0.96    | 24.38 | 1.39        | 35.28 | 1.56         | 39.62 |
| 32                         | 32                   | 2.22        | 56.36 | 1.44    | 36.55 | 0.96    | 24.38 | 1.64        | 41.53 | 1.81         | 45.97 |
| 36                         | 36                   | 2.47        | 62.71 | 1.44    | 36.55 | 0.96    | 24.38 | 1.85        | 46.99 | 2.06         | 52.32 |
| 40                         | 40                   | 2.72        | 69.06 | 1.44    | 36.55 | 0.96    | 24.38 | 2.07        | 52.45 | 2.31         | 58.67 |
| 44                         | 44                   | 2.97        | 75.41 | 1.44    | 36.55 | 0.96    | 24.38 | 2.32        | 58.93 | 2.56         | 65.02 |
| 48                         | 48                   | 3.22        | 81.76 | 1.44    | 36.55 | 0.96    | 24.38 | 2.57        | 65.28 | 2.81         | 71.37 |

| MIL PART NUMBER DESIGNATOR | PART NO COLOR | CONNECTOR SHELL SIZE | X DIA |       |      |       | Y DIA |       |      |       | Z    |       |
|----------------------------|---------------|----------------------|-------|-------|------|-------|-------|-------|------|-------|------|-------|
|                            |               |                      | MIN   |       | MAX  |       | MIN   |       | MAX  |       | INCH | MM    |
|                            |               |                      | INCH  | MM    | INCH | MM    | INCH  | MM    | INCH | MM    |      |       |
| 8                          | GREEN         | 8                    | 0.45  | 11.38 | 0.46 | 11.63 | 0.40  | 10.16 | 0.41 | 10.41 | 0.25 | 6.35  |
| 10                         | RED           | 10                   | 0.66  | 16.76 | 0.68 | 17.27 | 0.59  | 14.86 | 0.60 | 15.11 | 0.44 | 11.18 |
| 12                         | RED           | 7/12                 | 0.66  | 16.76 | 0.68 | 17.27 | 0.59  | 14.86 | 0.60 | 15.11 | 0.44 | 11.18 |
| 14                         | BLUE          | 12/14                | 0.78  | 19.81 | 0.80 | 20.32 | 0.71  | 17.91 | 0.72 | 18.16 | 0.44 | 11.18 |
| 16                         | GRAY          | 19/16                | 0.91  | 23.11 | 0.93 | 23.62 | 0.84  | 21.21 | 0.85 | 21.46 | 0.44 | 11.18 |
| 18                         | BROWN         | 27/18                | 1.08  | 27.43 | 1.10 | 27.94 | 1.01  | 25.53 | 1.02 | 25.78 | 0.44 | 11.18 |
| 20                         | GREEN         | 37/20                | 1.20  | 30.48 | 1.22 | 30.99 | 1.13  | 28.58 | 1.14 | 28.83 | 0.44 | 11.18 |
| 22                         | PINK          | 22                   | 1.32  | 33.53 | 1.34 | 34.04 | 1.25  | 31.62 | 1.26 | 31.88 | 0.44 | 11.18 |
| 24                         | YELLOW        | 24                   | 1.39  | 35.23 | 1.41 | 35.74 | 1.31  | 33.32 | 1.32 | 33.58 | 0.44 | 11.18 |
| 28                         | RED           | 28                   | 1.74  | 44.20 | 1.76 | 44.70 | 1.67  | 42.29 | 1.68 | 42.55 | 0.44 | 11.18 |
| 32                         | GRAY          | 32                   | 1.99  | 50.55 | 2.01 | 51.05 | 1.92  | 48.64 | 1.93 | 48.90 | 0.44 | 11.18 |
| 36                         | GREEN         | 36                   | 2.24  | 56.90 | 2.26 | 57.40 | 2.17  | 54.99 | 2.18 | 55.25 | 0.44 | 11.18 |
| 40                         | ORANGE        | 40                   | 2.49  | 63.25 | 2.51 | 63.75 | 2.42  | 61.34 | 2.43 | 61.60 | 0.44 | 11.18 |
| 44                         | YELLOW        | 44                   | 2.74  | 69.20 | 2.76 | 70.10 | 2.67  | 67.69 | 2.68 | 67.95 | 0.44 | 11.18 |
| 48                         | BLUE          | 48                   | 2.99  | 75.95 | 3.01 | 76.45 | 2.92  | 74.04 | 2.93 | 74.30 | 0.44 | 11.18 |

All dimensions for reference only.

Note: For more cable entry and length options, email: [sales@backshellworld.com](mailto:sales@backshellworld.com)

- 38999
- III
- HD
- Dualok
- II
- I
- SJT
- Accessories
- Aquacon
- Herm/Seal
- PCB
- High Speed
- Fiber Optics
- Contacts
- EMI Filter Transient
- 26482 Matrix 2
- 83723 III Matrix | Pyle
- 26500 Pyle
- 5015 Crimp Rear Release Matrix
- 22992 Class L
- Back-Shells
- Options Others

## Band Lock Adapter Straight, 90° and 45°, Self-Lock

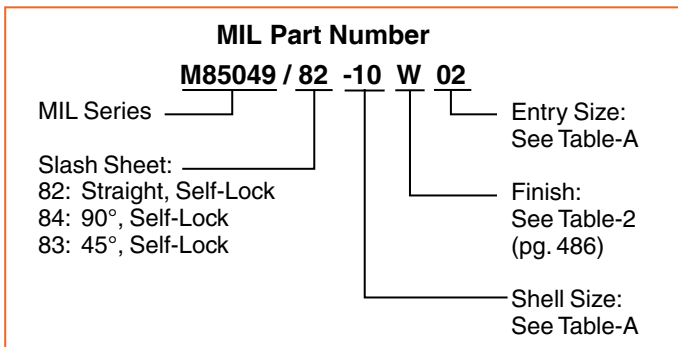
For Connector Family J

26482 Matrix Series 2

5015 Matrix (MS345X)

83723 Matrix & Pyle Series III

Connector Family "J", includes:  
MIL-DTL-26482 Series 2,  
MIL-DTL-5015 Matrix (MS345X)  
MIL-DTL-83723 Series III



| MIL PART NUMBER DESIGNATOR |            | CONNECTOR SHELL SIZE | A DIA. (MAX) |       | B DIA. (MAX) |       | C (MAX) |       | D (MAX) |       | E (MAX) |       | F (MAX.) |       | G MAX |       |
|----------------------------|------------|----------------------|--------------|-------|--------------|-------|---------|-------|---------|-------|---------|-------|----------|-------|-------|-------|
| ACCESSORY SHELL SIZE       | ENTRY SIZE |                      | INCH         | MM    | +0.00        | +0.00 | INCH    | MM    | INCH    | MM    | INCH    | MM    | INCH     | MM    | INCH  | MM    |
|                            |            |                      |              |       | -0.02        | -0.50 |         |       |         |       |         |       |          |       |       |       |
| 08                         | 02         | 8                    | 0.89         | 22.48 | N/A          | N/A   | 0.87    | 22.10 | 1.16    | 29.46 | 1.19    | 30.18 | 1.42     | 35.99 | N/A   | N/A   |
|                            | 03         |                      |              |       | 0.26         | 6.60  |         |       |         |       |         |       |          |       | 0.56  | 14.22 |
| 10                         | 02         | 10                   | 1.01         | 25.65 | N/A          | N/A   | 0.89    | 22.61 | 1.18    | 29.97 | 1.28    | 32.54 | 1.48     | 37.59 | N/A   | N/A   |
|                            | 03         |                      |              |       | 0.32         | 8.13  |         |       |         |       |         |       |          |       | 0.63  | 16.00 |
| 12                         | 02         | 7 / 12               | 1.14         | 28.83 | 0.32         | 8.13  | 0.92    | 23.37 | 1.20    | 30.48 | 1.41    | 35.71 | 1.54     | 39.17 | 0.63  | 16.00 |
|                            | 03         |                      |              |       | 0.45         | 11.43 |         |       |         |       |         |       |          |       | 0.75  | 19.05 |
| 14                         | 02         | 12 / 14              | 1.26         | 32.00 | 0.45         | 11.43 | 0.94    | 23.88 | 1.22    | 30.99 | 1.53    | 38.89 | 1.61     | 40.77 | 0.75  | 19.05 |
|                            | 03         |                      |              |       | 0.57         | 14.48 |         |       |         |       |         |       |          |       | 0.89  | 22.61 |
| 16                         | 02         | 19 / 16              | 1.39         | 35.18 | 0.51         | 12.95 | 0.96    | 24.38 | 1.25    | 31.75 | 1.66    | 42.06 | 1.67     | 42.34 | 0.82  | 20.83 |
|                            | 03         |                      |              |       | 0.64         | 16.26 |         |       |         |       |         |       |          |       | 0.95  | 24.13 |
| 18                         | 02         | 27 / 18              | 1.51         | 38.35 | 0.64         | 16.26 | 0.98    | 24.89 | 1.26    | 32.00 | 1.72    | 43.64 | 1.73     | 43.94 | 0.95  | 24.13 |
|                            | 03         |                      |              |       | 0.76         | 19.30 |         |       |         |       |         |       |          |       | 1.07  | 27.18 |
| 20                         | 02         | 37 / 20              | 1.64         | 41.53 | 0.64         | 16.26 | 1.00    | 25.40 | 1.29    | 32.77 | 1.84    | 46.84 | 1.79     | 45.52 | 0.95  | 24.13 |
|                            | 03         |                      |              |       | 0.82         | 20.83 |         |       |         |       |         |       |          |       | 1.13  | 28.07 |
| 22                         | 02         | 22                   | 1.76         | 44.70 | 0.70         | 17.78 | 1.03    | 26.16 | 1.31    | 33.27 | 1.94    | 49.23 | 1.85     | 46.99 | 1.02  | 25.99 |
|                            | 03         |                      |              |       | 0.95         | 24.13 |         |       |         |       |         |       |          |       | 1.26  | 32.00 |
| 24                         | 02         | 24                   | 1.89         | 47.88 | 0.76         | 19.30 | 1.05    | 26.67 | 1.34    | 34.04 | 2.09    | 53.16 | 1.92     | 48.69 | 1.07  | 27.18 |
|                            | 03         |                      |              |       | 1.01         | 25.65 |         |       |         |       |         |       |          |       | 1.32  | 33.53 |
| 28                         | 02         | 28                   | 2.14         | 54.23 | 0.89         | 22.61 | 1.10    | 27.94 | 1.38    | 35.05 | 2.53    | 64.29 | 2.04     | 51.87 | 1.19  | 30.23 |
|                            | 03         |                      |              |       | 1.14         | 28.96 |         |       |         |       |         |       |          |       | 1.47  | 37.34 |

Note: For more cable entry and length options, email: sales@backshellworld.com  
All dimensions for reference only.

38999

III  
HD  
Dualok  
II  
I  
SJT  
Accessories  
Aquacon  
Herm/Seal  
PCB

Fiber Optics  
High Speed  
Contacts

EMI Filter  
Transient

26482  
Matrix 2

83723  
III  
Matrix | Pyle

26500  
Pyle

5015  
Crimp Rear Release  
Matrix

22992  
Class I

Back-Shell

Options  
Others

26482 Matrix Series 2

5015 Matrix (MS345X)

83723 Matrix & Pyle Series III

Connector Family "J", includes:  
MIL-DTL-26482 Series 2,  
MIL-DTL-5015 Matrix (MS345X)  
MIL-DTL-83723 Series III



**MIL Part Number**

**M85049 / 109 S 10 T W 03 -6 D**

- MIL Series: M85049
- Slash Sheet: 109: Straight, 111: 90°
- Coupling: S: Self-Lock, -: Spin Coupling
- Shell Size: See Table-A
- Entry Size: See Table-A & B
- Finish: See Table-2 (pg. 486)
- Shield Finish: (Material: Copper) K: Nickel, T: Tin
- Shield Length: 6 inches min., 18 inches max., 1 inch increments
- Drain Hole Option: -6

| PART NUMBER DESIGNATOR |                      |    | CONNECTOR SHELL SIZE | A DIA.(MAX) |       | H (MAX) |       | J (MAX) |        |
|------------------------|----------------------|----|----------------------|-------------|-------|---------|-------|---------|--------|
| SHELL SIZE-MIL         | ALLOWABLE ENTRY SIZE |    |                      | INCH        | MM    | INCH    | MM    | INCH    | MM     |
|                        | 08                   | -  | 01                   | 8           | 0.885 | 22.48   | 1.73  | 43.94   | 1.12   |
| 10                     | 01                   | 03 | 10                   | 1.010       | 25.65 | 1.85    | 46.99 | 1.25    | 31.75  |
| 12                     | 01                   | 05 | 7/12                 | 1.135       | 28.83 | 1.87    | 47.50 | 1.38    | 35.05  |
| 14                     | 02                   | 06 | 12/14                | 1.260       | 32.00 | 1.94    | 49.28 | 1.44    | 36.58  |
| 16                     | 04                   | 08 | 19/16                | 1.385       | 35.18 | 2.03    | 51.56 | 1.56    | 39.62  |
| 18                     | 05                   | 09 | 27/18                | 1.510       | 38.35 | 2.20    | 55.88 | 1.75    | 44.45  |
| 20                     | 07                   | 11 | 37/20                | 1.635       | 41.53 | 2.20    | 55.88 | 1.75    | 44.45  |
| 22                     | 09                   | 13 | 22                   | 1.760       | 44.70 | 2.31    | 58.67 | 2.00    | 50.80  |
| 24                     | 11                   | 14 | 24                   | 1.885       | 47.88 | 2.31    | 58.67 | 2.00    | 50.80  |
| 28                     | 14                   | 16 | 28                   | 2.135       | 54.23 | 2.48    | 62.99 | 2.25    | 57.15  |
| 32                     | 16                   | 17 | 32                   | 2.395       | 60.83 | 2.73    | 69.34 | 2.75    | 69.85  |
| 36                     | 17                   | 19 | 36                   | 2.635       | 66.93 | 2.73    | 69.34 | 3.125   | 79.38  |
| 40                     | 19                   | 21 | 40                   | 2.885       | 73.28 | 2.88    | 73.15 | 4.125   | 104.78 |
| 44                     | 21                   | 23 | 44                   | 3.135       | 79.63 | 3.00    | 76.20 | 4.125   | 104.78 |
| 48                     | 23                   | 25 | 48                   | 3.385       | 85.98 | 3.12    | 79.25 | 4.125   | 104.78 |

| ENTRY SIZE | W ±0.020 | W ±0.508 | Y +0.008 -0.000 | Y +0.200 -0.000 | Z MAX | Z MAX |
|------------|----------|----------|-----------------|-----------------|-------|-------|
|            | INCH     | MM       | INCH            | MM              | INCH  | MM    |
| 01         | 0.250    | 6.350    | 0.044           | 1.12            | 0.56  | 14.22 |
| 02         | 0.312    | 7.920    | 0.044           | 1.12            | 0.63  | 16.00 |
| 03         | 0.375    | 9.530    | 0.044           | 1.12            | 0.69  | 17.53 |
| 04         | 0.438    | 11.130   | 0.044           | 1.12            | 0.75  | 19.05 |
| 05         | 0.500    | 12.700   | 0.044           | 1.12            | 0.82  | 20.83 |
| 06         | 0.562    | 14.270   | 0.044           | 1.12            | 0.89  | 22.61 |
| 07         | 0.625    | 15.880   | 0.044           | 1.12            | 0.95  | 24.13 |
| 08         | 0.688    | 17.480   | 0.044           | 1.12            | 1.02  | 25.91 |
| 09         | 0.750    | 19.050   | 0.069           | 1.75            | 1.07  | 27.18 |
| 10         | 0.812    | 20.620   | 0.069           | 1.75            | 1.13  | 28.70 |
| 11         | 0.875    | 22.230   | 0.069           | 1.75            | 1.19  | 30.23 |
| 12         | 0.938    | 23.830   | 0.069           | 1.75            | 1.26  | 32.00 |
| 13         | 1.000    | 25.400   | 0.069           | 1.75            | 1.32  | 33.53 |
| 14         | 1.125    | 28.575   | 0.069           | 1.75            | 1.47  | 37.34 |
| 15         | 1.250    | 31.750   | 0.069           | 1.75            | 1.60  | 40.64 |
| 16         | 1.375    | 34.930   | 0.069           | 1.75            | 1.71  | 43.43 |
| 17         | 1.500    | 38.100   | 0.086           | 2.18            | 1.84  | 46.74 |
| 18         | 1.625    | 41.280   | 0.086           | 2.18            | 2.00  | 50.80 |
| 19         | 1.750    | 44.450   | 0.086           | 2.18            | 2.12  | 53.85 |
| 20         | 1.875    | 47.630   | 0.086           | 2.18            | 2.27  | 57.66 |
| 21         | 2.000    | 50.800   | 0.086           | 2.18            | 2.44  | 61.98 |
| 22         | 2.125    | 53.980   | 0.086           | 2.18            | 2.60  | 66.04 |
| 23         | 2.250    | 57.150   | 0.086           | 2.18            | 2.75  | 69.85 |
| 24         | 2.375    | 60.325   | 0.086           | 2.18            | 2.90  | 73.66 |
| 25         | 2.500    | 63.500   | 0.086           | 2.18            | 3.06  | 77.72 |

Note: For more cable entry and length options, email: sales@backshellworld.com  
All dimensions for reference only.

## Quick Clamp

Straight, 90° and 45°, Self-Lock/Non Self-Lock

For Connector Family J

26482 Matrix Series 2

5015 Matrix (MS345X)

83723 Matrix & Pyle Series III

Connector Family "J", includes:  
MIL-DTL-26482 Series 2,  
MIL-DTL-5015 Matrix (MS345X)  
MIL-DTL-83723 Series III



**MIL Part Number**  
**M85049 / 53 - 10 W**

MIL Series: M85049 / 53  
 Slash Sheet: 53: Straight, 55: 90°, 54: 45°  
 Coupling: -: Non Self-Lock, G: Non Self-Lock with grounding Lug (only for 90°), S: Self-Lock (only for 90°), T: Self-Lock with grounding lug (only for 90°)  
 Finish: See Table-2 (pg. 486)  
 Dash Number: See Table-A

TABLE - A

| MIL PART NUMBER DESIGNATOR | CONNECTOR SHELL SIZE | A DIA.(MAX) |       | B (MAX) |       | C (MAX) |       | D (MAX) |       | E (MAX) |       | F DIA.(MAX) |       | WIRING ENTRY MAX |       |
|----------------------------|----------------------|-------------|-------|---------|-------|---------|-------|---------|-------|---------|-------|-------------|-------|------------------|-------|
|                            |                      | INCH        | MM    | INCH    | MM    | INCH    | MM    | INCH    | MM    | INCH    | MM    | INCH        | MM    | INCH             | MM    |
| 8                          | 8                    | 0.66        | 16.69 | 0.95    | 24.23 | 1.23    | 31.29 | 0.73    | 18.54 | 1.22    | 30.99 | 0.89        | 22.48 | 0.26             | 6.60  |
| 10                         | 10                   | 0.78        | 19.86 | 0.95    | 24.23 | 1.23    | 31.29 | 0.73    | 18.54 | 1.29    | 32.77 | 1.01        | 25.65 | 0.37             | 9.27  |
| 12                         | 07/12/12             | 0.94        | 23.80 | 0.95    | 24.23 | 1.23    | 31.29 | 0.73    | 18.54 | 1.62    | 41.15 | 1.14        | 28.83 | 0.50             | 12.73 |
| 14                         | 12/14/12             | 1.05        | 26.67 | 1.20    | 30.58 | 1.23    | 31.29 | 0.73    | 18.54 | 1.66    | 42.16 | 1.26        | 32.00 | 0.58             | 14.61 |
| 16                         | 19/16                | 1.24        | 31.47 | 1.20    | 30.58 | 1.23    | 31.29 | 0.73    | 18.54 | 1.72    | 43.69 | 1.39        | 35.18 | 0.70             | 17.78 |
| 18                         | 27/18                | 1.38        | 35.00 | 1.20    | 30.58 | 1.23    | 31.29 | 0.73    | 18.54 | 1.72    | 43.69 | 1.51        | 38.35 | 0.78             | 19.79 |
| 20                         | 37/20                | 1.50        | 38.10 | 1.31    | 33.27 | 1.48    | 37.64 | 0.75    | 19.05 | 1.79    | 45.47 | 1.64        | 41.53 | 0.90             | 22.96 |
| 22                         | 22                   | 1.63        | 41.43 | 1.43    | 36.32 | 1.48    | 37.64 | 0.75    | 19.05 | 1.85    | 46.99 | 1.76        | 44.70 | 1.03             | 26.14 |
| 24                         | 24                   | 1.75        | 44.45 | 1.56    | 39.62 | 1.48    | 37.64 | 0.75    | 19.05 | 1.91    | 48.51 | 1.89        | 47.88 | 1.14             | 29.06 |
| 28                         | 28                   | 1.97        | 50.04 | 1.56    | 39.62 | 1.47    | 37.31 | 0.75    | 19.05 | 2.06    | 52.32 | 2.14        | 54.23 | 1.38             | 35.03 |

Note: For more cable entry and length options, email: sales@backshellworld.com  
All dimensions for reference only.

38999

- III
- HD
- Dualok
- II
- I
- SJT
- Accessories
- Aquacon
- Herm/Seal
- PCB

- Fiber Optics
- High Speed
- Contacts

EMI Filter Transient

26482 Matrix 2

83723 Matrix | Pyle III

26500 Pyle

5015 Crimp Rear Release Matrix

22992 Class 1

Back-Shells

Options Others

26482 Matrix Series 2

5015 Matrix (MS345X)

83723 Matrix & Pyle Series III

Connector Family "J", includes:  
MIL-DTL-26482 Series 2,  
MIL-DTL-5015 Matrix (MS345X)  
MIL-DTL-83723 Series III



STRAIGHT



90 DEGREE

45 DEGREE

**MIL Part Number**

**M85049 / 52 - 10 W**

MIL Series ————

Slash Sheet: ————

52: Straight  
51: 90°  
43: 45°

Coupling: ————

S: Self-Lock  
-: Non Self-Lock for 45° & Straight  
-1-: Non Self-Lock for 90°

Finish:  
See Table-2  
(pg. 486)

Dash Number:  
See Table-A

TABLE - A

| MIL PART NUMBER DESIGNATOR | CONNECTOR SHELL SIZE | A DIA.(MAX) |       | B DIA.(MAX) |       | C (MAX) |       | D (MAX) |       | E (MAX) |       | F (MAX) |       |
|----------------------------|----------------------|-------------|-------|-------------|-------|---------|-------|---------|-------|---------|-------|---------|-------|
|                            |                      | INCH        | MM    | INCH        | MM    | INCH    | MM    | INCH    | MM    | INCH    | MM    | INCH    | MM    |
| 8                          | 8                    | 0.62        | 15.67 | 0.89        | 22.48 | 0.63    | 16.00 | 0.73    | 18.54 | 1.32    | 33.53 | 0.77    | 19.61 |
| 10                         | 10                   | 0.73        | 18.64 | 1.01        | 25.65 | 0.74    | 18.80 | 0.85    | 21.59 | 1.36    | 34.65 | 0.80    | 20.40 |
| 12                         | 7/12                 | 0.86        | 21.79 | 1.14        | 28.83 | 0.86    | 21.84 | 0.98    | 24.89 | 1.44    | 36.53 | 0.87    | 22.00 |
| 14                         | 12/14                | 0.98        | 24.99 | 1.26        | 32.00 | 0.86    | 21.84 | 0.98    | 24.89 | 1.48    | 37.59 | 0.93    | 23.57 |
| 16                         | 19/16                | 1.11        | 28.24 | 1.39        | 35.18 | 0.99    | 25.15 | 1.10    | 27.94 | 1.59    | 40.28 | 0.99    | 25.17 |
| 18                         | 27/18                | 1.22        | 30.94 | 1.51        | 38.35 | 1.24    | 31.50 | 1.35    | 34.29 | 1.70    | 43.28 | 1.11    | 28.19 |
| 20                         | 37/20                | 1.35        | 34.16 | 1.64        | 41.53 | 1.36    | 34.54 | 1.48    | 37.59 | 1.75    | 44.40 | 1.17    | 29.77 |
| 22                         | 22                   | 1.47        | 37.29 | 1.76        | 44.70 | 1.49    | 37.85 | 1.60    | 40.64 | 1.79    | 45.52 | 1.24    | 31.37 |
| 24                         | 24                   | 1.59        | 40.46 | 1.89        | 47.88 | 1.61    | 40.89 | 1.73    | 43.94 | 1.84    | 46.63 | 1.30    | 32.94 |
| 28                         | 28                   | 1.97        | 50.01 | 2.14        | 54.23 | 1.76    | 44.70 | 1.88    | 47.75 | 1.96    | 49.81 | 1.54    | 39.19 |
| 32                         | 32                   | 2.22        | 56.36 | 2.40        | 60.83 | 1.95    | 49.53 | 2.13    | 54.10 | 2.05    | 52.04 | 1.67    | 42.37 |
| 36                         | 36                   | 2.47        | 62.71 | 2.64        | 66.93 | 2.33    | 59.18 | 2.44    | 61.98 | 2.09    | 53.16 | 1.79    | 45.54 |
| 40                         | 40                   | 2.72        | 69.06 | 2.89        | 73.28 | 2.51    | 63.75 | 2.63    | 66.80 | 2.09    | 53.19 | 1.92    | 48.72 |
| 44                         | 44                   | 2.97        | 75.41 | 3.14        | 79.63 | 2.89    | 73.41 | 3.00    | 76.20 | 2.36    | 59.94 | 2.13    | 54.15 |
| 48                         | 48                   | 3.22        | 81.76 | 3.39        | 85.98 | 3.26    | 82.80 | 3.40    | 86.36 | 2.45    | 62.18 | 2.26    | 57.33 |

Note: For more cable entry and length options, email: sales@backshellworld.com  
All dimensions for reference only.

## Strain Relief Clamp

Straight, 90° and 45°, Self-Lock/Non Self-Lock, cont.

### For Connector Family J

**26482 Matrix Series 2**

**5015 Matrix (MS345X)**

**83723 Matrix & Pyle Series III**

Connector Family "J", includes:  
MIL-DTL-26482 Series 2,  
MIL-DTL-5015 Matrix (MS345X)  
MIL-DTL-83723 Series III

TABLE - A

| MIL PART NUMBER DESIGNATOR | CONNECTOR SHELL SIZE | G (MAX) |       | H (MAX) |       | M (MAX) |       | CABLE ENTRY |       |      |       |
|----------------------------|----------------------|---------|-------|---------|-------|---------|-------|-------------|-------|------|-------|
|                            |                      | INCH    | MM    | INCH    | MM    | INCH    | MM    | MIN         |       | MAX  |       |
|                            |                      |         |       |         |       |         |       | INCH        | MM    | INCH | MM    |
| 08                         | 8                    | 0.93    | 23.62 | 0.75    | 18.95 | 0.78    | 19.86 | 0.13        | 3.18  | 0.20 | 5.18  |
| 10                         | 10                   | 1.02    | 25.91 | 0.81    | 20.45 | 0.86    | 21.89 | 0.19        | 4.75  | 0.29 | 7.26  |
| 12                         | 7/12                 | 1.21    | 30.73 | 0.87    | 22.02 | 1.00    | 25.48 | 0.29        | 7.39  | 0.42 | 10.57 |
| 14                         | 12/14                | 1.27    | 32.26 | 0.93    | 23.62 | 1.06    | 26.95 | 0.35        | 8.92  | 0.48 | 12.09 |
| 16                         | 19/16                | 1.42    | 36.07 | 0.99    | 25.25 | 1.33    | 33.88 | 0.50        | 12.73 | 0.63 | 15.90 |
| 18                         | 27/18                | 1.53    | 38.86 | 1.17    | 29.74 | 1.47    | 37.24 | 0.52        | 13.16 | 0.71 | 17.93 |
| 20                         | 37/20                | 1.65    | 41.91 | 1.23    | 31.34 | 1.57    | 39.93 | 0.58        | 14.76 | 0.83 | 21.11 |
| 22                         | 22                   | 1.78    | 45.21 | 1.30    | 32.92 | 1.69    | 42.88 | 0.64        | 16.36 | 0.96 | 24.28 |
| 24                         | 24                   | 1.90    | 48.26 | 1.36    | 34.49 | 1.79    | 45.47 | 0.71        | 17.93 | 1.08 | 27.46 |
| 28                         | 28                   | 2.20    | 55.88 | 1.57    | 39.93 | 2.04    | 51.69 | 0.75        | 19.05 | 1.19 | 30.15 |
| 32                         | 32                   | 2.27    | 57.66 | 1.80    | 45.64 | 2.39    | 60.60 | 0.88        | 22.23 | 1.25 | 31.75 |
| 36                         | 36                   | 2.39    | 60.71 | 1.92    | 48.82 | 2.50    | 63.40 | 0.94        | 23.83 | 1.38 | 34.93 |
| 40                         | 40                   | 2.52    | 64.01 | 2.05    | 51.99 | 2.57    | 65.18 | 0.94        | 23.83 | 1.50 | 38.10 |
| 44                         | 44                   | 2.77    | 70.36 | 2.30    | 58.32 | 2.86    | 72.64 | 1.19        | 30.18 | 1.75 | 44.45 |
| 48                         | 48                   | 2.89    | 73.41 | 2.42    | 61.49 | 3.34    | 84.94 | 1.31        | 33.32 | 1.88 | 47.63 |

Note: For more cable entry and length options, email: [sales@backshellworld.com](mailto:sales@backshellworld.com)  
All dimensions for reference only.

38999

III

HD

Dualok

II

I

SJT

Accessories

Aquacon

Herm/Seal

PCB

Fiber Optics

High Speed

Contacts

EMI Filter Transient

Matrix 2 26482

Matrix | Pyle III 83723

Pyle 26500

5015 Crimp Rear Release Matrix

Class I 22992

Back-Shells

Options Others



### For Connector Family J

26482 Matrix Series 2

5015 Matrix (MS345X)

83723 Matrix & Pyle Series III

Connector Family "J", includes:  
MIL-DTL-26482 Series 2,  
MIL-DTL-5015 Matrix (MS345X)  
MIL-DTL-83723 Series III



#### MIL Part Number



| MIL PART NUMBER DESIGNATOR | CONNECTOR SHELL SIZE/ CODE (REF.) | A DIA.(MAX) |       | B LENGTH  |             | C (MAX) |       | D (MAX) |       | E (CLOSED) |       |
|----------------------------|-----------------------------------|-------------|-------|-----------|-------------|---------|-------|---------|-------|------------|-------|
|                            |                                   | INCH        | MM    | INCH      | MM          | INCH    | MM    | INCH    | MM    | ±.031      | ±.787 |
| CONNECTOR SHELL SIZE       |                                   |             |       |           |             |         |       |         |       | INCH       | MM    |
| 08                         | 8S                                | 0.89        | 22.61 | 0.77/0.51 | 19.56/12.95 | 1.14    | 28.96 | 0.88    | 22.35 | 0.22       | 5.56  |
| 10                         | 10S, 10SL                         | 1.01        | 25.65 | 0.89/0.64 | 22.61/16.26 | 1.25    | 31.75 | 0.94    | 23.88 | 0.26       | 6.71  |
| 12                         | 12, 12S                           | 1.14        | 28.96 | 1.01/0.76 | 25.65/19.30 | 1.38    | 35.05 | 1.12    | 28.45 | 0.34       | 8.74  |
| 14                         | 14, 14S                           | 1.26        | 32.00 | 1.01/0.76 | 25.65/19.30 | 1.38    | 35.05 | 1.19    | 30.23 | 0.46       | 11.68 |
| 16                         | 16, 16S                           | 1.39        | 35.31 | 1.13/0.88 | 28.70/22.35 | 1.50    | 38.10 | 1.44    | 36.58 | 0.55       | 13.84 |
| 18                         | 18                                | 1.51        | 38.35 | 1.38/1.13 | 35.05/28.70 | 1.75    | 44.45 | 1.56    | 39.62 | 0.62       | 15.62 |
| 20                         | 20                                | 1.64        | 41.66 | 1.51/1.25 | 38.35/31.75 | 1.88    | 47.75 | 1.69    | 42.93 | 0.69       | 17.53 |
| 22                         | 22                                | 1.76        | 44.70 | 1.62/1.38 | 41.15/35.05 | 2.00    | 50.80 | 1.75    | 44.45 | 0.78       | 19.81 |
| 24                         | 24                                | 1.89        | 48.01 | 1.76/1.51 | 44.70/38.35 | 2.13    | 54.10 | 1.88    | 47.75 | 0.85       | 21.59 |
| 28                         | 28                                | 2.14        | 54.36 | 2.03/1.67 | 51.56/42.42 | 2.56    | 65.02 | 2.12    | 53.85 | 0.95       | 24.13 |
| 32                         | 32                                | 2.40        | 60.96 | 2.28/1.87 | 57.91/47.50 | 2.81    | 71.37 | 2.50    | 63.50 | 1.02       | 25.78 |
| 36                         | 36                                | 2.64        | 67.06 | 2.53/2.22 | 64.26/56.39 | 3.06    | 77.72 | 2.62    | 66.55 | 1.19       | 30.15 |
| 40                         | 40                                | 2.89        | 73.41 | 2.63/2.41 | 66.80/61.21 | 3.16    | 80.26 | 2.68    | 68.07 | 1.22       | 30.99 |
| 44                         | 44                                | 3.14        | 79.76 | 3.00/2.80 | 76.20/71.12 | 3.53    | 89.66 | 3.00    | 76.20 | 1.50       | 38.10 |
| 48                         | 48                                | 3.39        | 86.11 | 3.40/3.20 | 86.36/81.28 | 3.93    | 99.82 | 3.50    | 88.90 | 1.63       | 41.28 |

Note: For more cable entry and length options, email: [sales@backshellworld.com](mailto:sales@backshellworld.com)  
All dimensions for reference only.

## Strain Relief Clamp 90°, Self-Lock/Non Self-Lock

For Connector Family J

26482 Matrix Series 2

5015 Matrix (MS345X)

83723 Matrix & Pyle Series III

Connector Family "J", includes:  
MIL-DTL-26482 Series 2,  
MIL-DTL-5015 Matrix (MS345X)  
MIL-DTL-83723 Series III



90 DEGREE

### MIL Part Number

**M85049 / 120 - 10 W**

MIL Series ————  
Slash Sheet: 120: 90°  
Finish: See Table-2 (pg. 486)  
Dash Number: See Table-A  
Coupling: S: Self-Lock  
          -: Non Self-Lock

TABLE - A

| MIL PART NUMBER DESIGNATOR | CONNECTOR SHELL SIZE | A DIA.(MAX) |       | B (MAX) |       | C (MAX) |       | D (MAX) |       | E (CLOSED) |       |
|----------------------------|----------------------|-------------|-------|---------|-------|---------|-------|---------|-------|------------|-------|
|                            |                      | INCH        | MM    | INCH    | MM    | INCH    | MM    | INCH    | MM    | ±.031      | ±.787 |
|                            |                      |             |       |         |       |         |       |         |       | INCH       | MM    |
| 08                         | 8S                   | 0.88        | 22.35 | 0.93    | 23.62 | 1.29    | 32.77 | 0.81    | 20.57 | 0.22       | 5.56  |
| 10                         | 10S, 10SL            | 0.94        | 23.88 | 1.02    | 25.91 | 1.38    | 35.05 | 0.87    | 22.10 | 0.26       | 6.71  |
| 12                         | 12, 12S              | 1.12        | 28.45 | 1.21    | 30.73 | 1.57    | 39.88 | 0.93    | 23.62 | 0.34       | 8.74  |
| 14                         | 14, 14S              | 1.19        | 30.23 | 1.27    | 32.26 | 1.63    | 41.40 | 1.00    | 25.40 | 0.46       | 11.68 |
| 16                         | 16, 16S              | 1.44        | 36.58 | 1.42    | 36.07 | 1.78    | 45.21 | 1.06    | 26.92 | 0.55       | 13.84 |
| 18                         | 18                   | 1.56        | 39.62 | 1.53    | 38.86 | 1.89    | 48.01 | 1.23    | 31.24 | 0.62       | 15.62 |
| 20                         | 20                   | 1.69        | 42.93 | 1.65    | 41.91 | 2.01    | 51.05 | 1.30    | 33.02 | 0.70       | 17.73 |
| 22                         | 22                   | 1.75        | 44.45 | 1.78    | 45.21 | 2.14    | 54.36 | 1.36    | 34.54 | 0.78       | 19.81 |
| 24                         | 24                   | 1.88        | 47.75 | 1.90    | 48.26 | 2.26    | 57.40 | 1.42    | 36.07 | 0.85       | 21.59 |
| 28                         | 28                   | 2.12        | 53.85 | 2.20    | 55.88 | 2.72    | 69.09 | 1.63    | 41.40 | 0.95       | 24.13 |
| 32                         | 32                   | 2.50        | 63.50 | 2.27    | 57.66 | 2.79    | 70.87 | 1.86    | 47.24 | 1.02       | 25.78 |
| 36                         | 36                   | 2.62        | 66.55 | 2.39    | 60.71 | 2.91    | 73.91 | 1.98    | 50.29 | 1.19       | 30.15 |
| 40                         | 40                   | 2.68        | 68.07 | 2.52    | 64.01 | 3.04    | 77.22 | 2.10    | 53.34 | 1.22       | 30.99 |
| 44                         | 44                   | 3.00        | 76.20 | 2.77    | 70.36 | 3.29    | 83.57 | 2.36    | 59.94 | 1.50       | 38.10 |
| 48                         | 48                   | 3.50        | 88.90 | 2.89    | 73.41 | 3.41    | 86.61 | 2.48    | 62.99 | 1.63       | 41.28 |

Note: For more cable entry and length options, email: sales@backshellworld.com  
All dimensions for reference only.

38999

III

HD

Dualok

II

I

SJT

Accessories

Aquacon

Herm/Seal

PCB

Fiber

Optics

Contacts

High Speed

EMC Filter

Transient

Matrix 2

26482

Matrix | Pyle

III

83723

Pyle

26500

5015

Crimp Rear Release Matrix

22992

Class 1

Back-

Shells

Options

Others

### For Connector Family J

26482 Matrix Series 2

5015 Matrix (MS345X)

83723 Matrix & Pyle Series III

Connector Family "J", includes:  
MIL-DTL-26482 Series 2,  
MIL-DTL-5015 Matrix (MS345X)  
MIL-DTL-83723 Series III



| MIL PART NUMBER DESIGNATOR | CONNECTOR SHELL SIZE | A DIA. (MAX) |       | B DIA. (MAX) |       | C (MAX) |       | D (MAX) |       | E (MAX) |       |
|----------------------------|----------------------|--------------|-------|--------------|-------|---------|-------|---------|-------|---------|-------|
|                            |                      | INCH         | MM    | INCH         | MM    | INCH    | MM    | INCH    | MM    | INCH    | MM    |
| DASH NO 08                 | 8                    | 0.62         | 15.67 | 0.89         | 22.48 | 0.54    | 13.72 | 0.71    | 18.03 | 0.27    | 6.86  |
| 10                         | 10                   | 0.73         | 18.64 | 1.01         | 25.65 | 0.54    | 13.72 | 0.71    | 18.03 | 0.38    | 9.53  |
| 12                         | 7/12                 | 0.86         | 21.79 | 1.14         | 28.83 | 0.54    | 13.72 | 0.71    | 18.03 | 0.51    | 12.98 |
| 14                         | 12/14                | 0.98         | 24.99 | 1.26         | 32.00 | 0.54    | 13.72 | 0.71    | 18.03 | 0.59    | 14.86 |
| 16                         | 19/16                | 1.11         | 28.24 | 1.39         | 35.18 | 0.54    | 13.72 | 0.71    | 18.03 | 0.71    | 18.03 |
| 18                         | 27/18                | 1.22         | 30.94 | 1.51         | 38.35 | 0.54    | 13.72 | 0.71    | 18.03 | 0.79    | 20.04 |
| 20                         | 37/20                | 1.35         | 34.16 | 1.64         | 41.53 | 0.54    | 13.72 | 0.71    | 18.03 | 0.91    | 23.22 |
| 22                         | 22                   | 1.47         | 37.29 | 1.76         | 44.70 | 0.54    | 13.72 | 0.71    | 18.03 | 1.04    | 26.39 |
| 24                         | 24                   | 1.59         | 40.46 | 1.89         | 47.88 | 0.54    | 13.72 | 0.71    | 18.03 | 1.15    | 29.31 |
| 28                         | 28                   | 1.97         | 50.01 | 2.14         | 54.23 | 0.70    | 17.83 | 0.89    | 22.61 | 1.39    | 35.28 |
| 32                         | 32                   | 2.22         | 56.36 | 2.40         | 60.83 | 0.70    | 17.83 | 0.89    | 22.61 | 1.64    | 41.53 |
| 36                         | 36                   | 2.47         | 62.71 | 2.64         | 66.93 | 0.70    | 17.83 | 0.89    | 22.61 | 1.85    | 46.99 |
| 40                         | 40                   | 2.72         | 69.06 | 2.89         | 73.28 | 0.70    | 17.83 | 0.89    | 22.61 | 2.07    | 52.45 |
| 44                         | 44                   | 2.97         | 75.41 | 3.14         | 79.63 | 0.70    | 17.83 | 0.89    | 22.61 | 2.32    | 58.93 |
| 48                         | 48                   | 3.22         | 81.76 | 3.39         | 85.98 | 0.70    | 17.83 | 0.89    | 22.61 | 2.57    | 65.28 |

Note: For more cable entry and length options, email: [sales@backshellworld.com](mailto:sales@backshellworld.com)  
 All dimensions for reference only.

38999

III

HD

Dualok

II

I

SJT

Accessories

Aquacon

Herm/Seal

PCB

High Speed

Fiber Optics

Contacts

EMI Filter Transient

26482

Matrix 2

83723

III Matrix | Pyle

26500

Pyle

5015

Crimp Rear Release Matrix

22992

Class L

Back-Shells

Options Others

## Shrink Boot Nut Straight, Self-Lock/Non Self-Lock

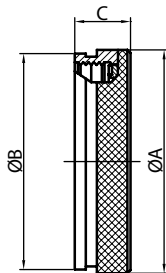
### For Connector Family J

26482 Matrix Series 2

5015 Matrix (MS345X)

83723 Matrix & Pyle Series III

Connector Family "J", includes:  
MIL-DTL-26482 Series 2,  
MIL-DTL-5015 Matrix (MS345X)  
MIL-DTL-83723 Series III



| TABLE-A                    |                      |              |       |              |       |         |       |
|----------------------------|----------------------|--------------|-------|--------------|-------|---------|-------|
| MIL PART NUMBER DESIGNATOR | CONNECTOR SHELL SIZE | A DIA. (MAX) |       | B DIA. (MAX) |       | C (MAX) |       |
|                            |                      | INCH         | MM    | INCH         | MM    | INCH    | MM    |
| 08                         | 8                    | 0.69         | 17.48 | 0.66         | 16.69 | 0.54    | 13.72 |
| 10                         | 10                   | 0.80         | 20.40 | 0.77         | 19.66 | 0.54    | 13.72 |
| 12                         | 7/12                 | 0.94         | 23.83 | 0.90         | 22.81 | 0.54    | 13.72 |
| 14                         | 12/14                | 1.06         | 27.00 | 1.02         | 26.01 | 0.54    | 13.72 |
| 16                         | 19/16                | 1.24         | 31.45 | 1.15         | 29.26 | 0.54    | 13.72 |
| 18                         | 27/18                | 1.31         | 33.27 | 1.24         | 31.57 | 0.54    | 13.72 |
| 20                         | 37/20                | 1.44         | 36.47 | 1.37         | 34.80 | 0.54    | 13.72 |
| 22                         | 22                   | 1.56         | 39.62 | 1.44         | 36.65 | 0.54    | 13.72 |
| 24                         | 24                   | 1.69         | 42.82 | 1.62         | 41.10 | 0.54    | 13.72 |
| 28                         | 28                   | 2.06         | 52.37 | 1.97         | 50.01 | 0.70    | 17.83 |
| 32                         | 32                   | 2.31         | 58.72 | 2.22         | 56.36 | 0.70    | 17.83 |
| 36                         | 36                   | 2.56         | 65.07 | 2.47         | 62.71 | 0.70    | 17.83 |
| 40                         | 40                   | 2.81         | 71.42 | 2.72         | 69.06 | 0.70    | 17.83 |
| 44                         | 44                   | 3.06         | 77.77 | 2.97         | 75.41 | 0.70    | 17.83 |
| 48                         | 48                   | 3.31         | 84.12 | 3.22         | 81.76 | 0.70    | 17.83 |

Note: For more cable entry and length options, email: sales@backshellworld.com  
All dimensions for reference only.

38999

III

HD

Dualok

II

I

SJT

Accessories

Aquacon

Herm/Seal

PCB

Fiber

Optics

High Speed

Contacts

EMI Filter

Transient

Matrix 2

26482

Matrix I/Pyle

83723

III

Pyle

26500

5015

Crimp Rear Release Matrix

22992

Class I

Back-

Shells

Options

Others

Компания «Океан Электроники» предлагает заключение долгосрочных отношений при поставках импортных электронных компонентов на взаимовыгодных условиях!

Наши преимущества:

- Поставка оригинальных импортных электронных компонентов напрямую с производств Америки, Европы и Азии, а так же с крупнейших складов мира;
- Широкая линейка поставок активных и пассивных импортных электронных компонентов (более 30 млн. наименований);
- Поставка сложных, дефицитных, либо снятых с производства позиций;
- Оперативные сроки поставки под заказ (от 5 рабочих дней);
- Экспресс доставка в любую точку России;
- Помощь Конструкторского Отдела и консультации квалифицированных инженеров;
- Техническая поддержка проекта, помощь в подборе аналогов, поставка прототипов;
- Поставка электронных компонентов под контролем ВП;
- Система менеджмента качества сертифицирована по Международному стандарту ISO 9001;
- При необходимости вся продукция военного и аэрокосмического назначения проходит испытания и сертификацию в лаборатории (по согласованию с заказчиком);
- Поставка специализированных компонентов военного и аэрокосмического уровня качества (Xilinx, Altera, Analog Devices, Intersil, Interpoint, Microsemi, Actel, Aeroflex, Peregrine, VPT, Syfer, Eurofarad, Texas Instruments, MS Kennedy, Miteq, Cobham, E2V, MA-COM, Hittite, Mini-Circuits, General Dynamics и др.);

Компания «Океан Электроники» является официальным дистрибьютором и эксклюзивным представителем в России одного из крупнейших производителей разъемов военного и аэрокосмического назначения «JONHON», а так же официальным дистрибьютором и эксклюзивным представителем в России производителя высокотехнологичных и надежных решений для передачи СВЧ сигналов «FORSTAR».



## JONHON

«JONHON» (основан в 1970 г.)

Разъемы специального, военного и аэрокосмического назначения:

(Применяются в военной, авиационной, аэрокосмической, морской, железнодорожной, горно- и нефтедобывающей отраслях промышленности)

«FORSTAR» (основан в 1998 г.)

ВЧ соединители, коаксиальные кабели, кабельные сборки и микроволновые компоненты:

(Применяются в телекоммуникациях гражданского и специального назначения, в средствах связи, РЛС, а так же военной, авиационной и аэрокосмической отраслях промышленности).



Телефон: 8 (812) 309-75-97 (многоканальный)

Факс: 8 (812) 320-03-32

Электронная почта: [ocean@oceanchips.ru](mailto:ocean@oceanchips.ru)

Web: <http://oceanchips.ru/>

Адрес: 198099, г. Санкт-Петербург, ул. Калинина, д. 2, корп. 4, лит. А