



# Backshells from Amphenol PCD



## TABLE OF CONTENTS

### BACKSHELLS FROM AMPHENOL PCD

- Quick Reference of Products . . . . . 479-482
- Angles/Profiles & Coupling Styles . . . . . 483
- How to Select a Suitable Backshell . . . . . 484
- Tables - By Connector Groups. . . . . 485
- Materials & Finishes, Assembly Torque Values, Style-2 Configuration . . 486



### Backshells for Connector Family “L”

- MIL-DTL-38999 (Series III), MIL-DTL-38999 (Series IV) . . . . . 487-507

### Backshells for Connector Family “K”

- MIL-DTL-38999 (Series II), MIL-DTL-38999 (Series I) . . . . . 508-527

### Backshells for Connector Family “J”

- MIL-DTL-26482 (Matrix, Series 2), MIL-DTL-5015 (Matrix, MS345X), MIL-DTL-83723 (Matrix & Pyle Series III) . . . . . 528-553



## Amphenol PCD

72 Cherry Drive, Beverly, MA 01915  
 Phone: 978-624-3400  
[www.amphenolpcd.com](http://www.amphenolpcd.com)



## Backshells

From Amphenol PCD

Amphenol holds the leadership position for providing interconnect solutions that meet almost all Military, Aerospace and Industrial standards in the U.S., Europe and Asia.

With design and manufacturing facilities and sales offices spread across the globe, Amphenol offers a vast product portfolio of connectors, cable assemblies and system integration for almost all applications across various industries.

### BACKSHELLS

Within Amphenol's wide range of interconnect products is a full range of backshell hardware. Customers can take advantage of Amphenol's global synergy for connectors, backshells and cable harnessing with one place for all their interconnect needs.

Plus, coming to Amphenol for a custom design of a backshell, means that customers benefit from the vast amount of experience this global company has in designing interconnect solutions.

This section covers the backshells that are provided through Amphenol PCD:

- Backshells for Connector Family "L", which includes MIL-DTL-38999 Series III and Series IV
- Backshells for Connector Family "K", which includes MIL-DTL-38999 Series II and Series I
- Backshells for Connector Family "J", which includes MIL-DTL-26482 (Series 2), MIL-DTL-5015 (Matrix MS345X), MIL-DTL-83723 (Matrix & Pyle Series III)



Amphenol . . We Connect the World Together



38999

|             |
|-------------|
| III         |
| HD          |
| Dualok      |
| II          |
| I           |
| SJT         |
| Accessories |
| Aquacon     |
| Herm/Seal   |
| PCB         |

|          |            |
|----------|------------|
| Fiber    | High Speed |
| Optics   |            |
| Contacts |            |

EMI Filter  
Transient

26482  
Matrix 2

83723  
III  
Matrix | Pyle

26500  
Pyle

5015  
Crimp Rear  
Release  
Matrix

22992  
Class 1

Back-  
Shells

Options  
Others

|             |
|-------------|
| 38999       |
| III         |
| HD          |
| Dualok      |
| II          |
| I           |
| SJT         |
| Accessories |
| Aquacon     |
| Herm/Seal   |
| PCB         |

Amphenol Backshells are available in several different types, designed for optimum performance in the application or environment it will be used in. For example; in ground and naval applications the robustness and environmental sealing may be more important, where as weight may be the prime consideration for space and Aerospace application. The following overview explains the various families of Amphenol Backshells with its applications.

Some families of backshells shown here can be used without any additional protection. Some other types of backshells shown are generally used with heat shrink boots or similar protection/strain relief mechanism depending upon the specific requirements. Also, there are some clamps & nuts for the applications where varying degrees of strain reliefs and cable holding will suffice and weight saving is of higher importance.

### Non-Environmental Backshell

- Effective cable holding mechanism with good strain relief when the environmental protection of the cable termination area is not a concern. Amphenol offers cost-effective solutions by eliminating extra sealing parts.
- Suitable for an inside the box/climate controlled room application where heavy cabling should be supported with adequate strain relief.



### Environmental Backshell

- Not only provide the cable support and strain relief, but ensure the cable sealing and environment protection by means of high quality sealing grommet and grommet follower. The strain relief nut is tightened squeezing the grommet onto the cable jacket during assembly.
- Provides 6 feet water sealing protection when used with perfectly jacketed cable, and suitable for harsh environment applications.



### Non-Environmental EMI/RFI Backshell

- 360-degree screen termination facility, in addition to other features of the Non-Environmental type. Available in straight, 90 degree bent and 45 degree bent varieties.
- Accommodates both individual and overall shielding.



### Environmental EMI/RFI Backshell

- Ideal choice for heavy duty cabling solutions in harsh environment situations where electromagnetic and radio frequency noises are to be isolated.
- Accommodates both individual and overall shielding.



|              |
|--------------|
| High Speed   |
| Fiber Optics |
| Contacts     |

|                      |
|----------------------|
| EMI Filter Transient |
|----------------------|

|          |
|----------|
| 26482    |
| Matrix 2 |

|               |
|---------------|
| 83723         |
| III           |
| Matrix   Pyle |

|       |
|-------|
| 26500 |
| Pyle  |

|                           |
|---------------------------|
| 5015                      |
| Crimp Rear Release Matrix |

|         |
|---------|
| 22992   |
| Class L |

|             |
|-------------|
| Back-Shells |
|-------------|

|                |
|----------------|
| Options Others |
|----------------|

## Backshells

### Quick Reference of Products, cont.

#### Shrink Boot Adapter

- A good solution when the unshielded cables are terminated with heat shrink boots. It has a groove where the boot lip can be held which provides good grip apart from sufficient space inside for the cable looping.
- Using the heat shrink boot is one way of providing environmental protection and strain relief to cable termination. Using a suitable adapter is essential here to ensure the repairability.



#### Crimp Ring Adapter

- Many cable terminations where heat shrink boots are used will require provision for terminating the screens too. It is achieved in this type of backshell through a ring, which can be crimped to the backshell body holding the screens in between.



#### Band Lock Adapter

- Another method of termination of screens. A high quality band will do the job in this backshell. Tempered bands are tightened over the shields, which is pulled over the banding area, using a special assembly tool.
- Suitable over cover by heat shrink boot or some other method as chosen by the designer could be used.
- Both crimp ring and banded terminations give a low DC resistance.



#### Pre-Shield Adapter

- Supplied with some length of braid attached. This braid overlaps with the cable braid.
- Effective shielding takes place due to the 360° contact of the braid.
- Designed to accept heat shrink boot.
- Ease of assembly saves time for cable termination.



#### SQ Adapter

- Another cost-effective way to terminate the braid to the adapter. The cost-effective braid is pulled over the conical shape to the rear end of the adapter and then tied. The end nut is tightened to ensure adequate grip for the shielding.
- A heat shrink boot can be used with this adapter also.

Note: The SQ adapter style is not covered in this catalog section; for more information go to [www.backshellworld.com](http://www.backshellworld.com)



38999

III

HD

Dualok

II

I

SJT

Accessories

Aquacon

Herm/Seal

PCB

Fiber Optics

High Speed

Contacts

EMI Filter Transient

Matrix 2 26482

Matrix | Pyle III 83723

Pyle 26500

Crimp Rear Release Matrix 5015

Class 1 22992

Back-Shell

Options Others



38999

III

HD

Dualok

II

I

SJT

Accessories

Aquacon

Herm/Seal

PCB

High Speed

Fiber Optics

Contacts

EMI Filter Transient

26482

Matrix 2

83723

III  
Matrix | Pyle

26500

Pyle

5015

Crimp Rear Release  
Matrix

22992

Class L

Back-Shells

Options Others

#### Quick Clamp

- A light weight clamp used for securing and “tidying up” cable into a desired direction.
- Used in interior wiring of aircraft.



#### Strain Relief Clamps

- Another cost effective cable holding option when environmental protection is not a concern, and weight savings is a major consideration.
- Secures and “tidys-up” the cable and also provides good strain relief at the termination area.



#### Grommet Nut

- Provides a good grommet-holding force for the crimp connectors when expensive and heavy backshells are not used. Such holding force is essential to hold the contacts and grommet in place when terminated with wire bundles.



#### Lamp Thread Adapter

- An adapter with threads similar to that in the lamp base for shield termination.
- An effective, easy and quick method of shield termination and field maintenance.
- Termination area can accept a nut as well as a clamp. The nut option enables the use of heat shrink boot and the clamp option will facilitate the strain relief clamping without heat shrink boot after the shield/cable termination.



Note: The lamp thread adapter style is not covered in this catalog section; for more information go to [www.backshellworld.com](http://www.backshellworld.com)

## Backshells

### Angle/Profiles and Coupling Styles

#### BACKSHELL ANGLE/PROFILES

Amphenol Backshells are available in three different angular profiles: straight, 90 degree and 45 degree. These profiles will meet most of the cable routing required in the interconnect market. We can also make additional profiles if required. Please go to the web link <http://www.backshellworld.com/customdesign.asp> to contact Amphenol about your specific backshell needs.

#### Straight Backshells

Straight Backshells are available in different length and cable entry diameter for most applications. Different cable and braid terminating systems are also available as shown in the respective product sections.



#### 90° Angled Backshells

Many applications require the cable to be bent and routed rather than straight routed. Amphenol offers a 90° angled style in all the Backshell families for space saving and convenience.



#### 45° Angled Backshells

Amphenol offers further design flexibility with a backshell that allows the cable to be routed 45° to the axis of the assembly.



#### BACKSHELL COUPLING STYLES

Various coupling styles are available for the coupling between the backshell and the connector. Popular styles are shown in the respective backshell sections, and custom profiles can be designed. Please go to the web link <http://www.backshellworld.com/customdesign.asp> to contact Amphenol about your specific backshell needs.

#### Spin Coupling

A captivated coupling nut within the backshell which provides the following advantages:

- Free rotation of the coupling nut which makes the assembly of the backshell to the connector easy without turning the entire backshell body.
- Lock wire holes are provided on the coupling nut to prevent accidental decoupling.



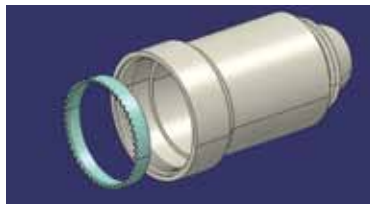
#### Self-Lock Coupling

Same as the Spin Coupling style with the additional feature of "self-locking". Internally locks the movement of the coupling nut so that accidental decoupling is prevented. Used in higher vibration conditions.



#### Direct Coupling

The coupling nut is eliminated in this design, and the backshell directly threads to the connector. For applications when simple direct connectivity is sufficient.



38999

|             |
|-------------|
| III         |
| HD          |
| Duallok     |
| II          |
| I           |
| SJT         |
| Accessories |
| Aquacon     |
| Herm/Seal   |
| PCB         |

|          |            |
|----------|------------|
| Fiber    | High Speed |
| Optics   |            |
| Contacts |            |

EMI Filter  
Transient

Matrix 2  
26482

Matrix I Pyle  
III  
83723

Pyle  
26500

Crimp Rear  
Release  
Matrix  
5015

Class I  
22992

Back-  
Shells

Options  
Others

#### HOW TO SELECT A SUITABLE BACKSHELL

1. Based on the design and application considerations select the backshell type from the Quick Reference Guide, pages 479-482.
2. Review the Angle/Profiles and Coupling Styles on page 483 to determine the configuration which suits your application.
3. Scan the Connector Group Table on the next page to determine the Group Code (K, L or J) of the connector for which you require the backshell.
  - Backshells for Connector Family “L”, which includes MIL-DTL-38999 Series III and Series IV
  - Backshells for Connector Family “K”, which includes MIL-DTL-38999 Series II and Series I
  - Backshells for Connector Family “J”, which includes MIL-DTL-26482 (Series 2), MIL-DTL-5015 (Matrix MS345X), MIL-DTL-83723 (Matrix & Pyle Series III)
4. Go to the Backshell style pages within the connector family of your choice (K, L or J). Find the backshell style you need in the appropriate connector group section based on your choice of angle/profile and coupling style.
5. Build a part number from the sample part number on each backshell style page. For the material and finish options, you will need to turn to page 486 and review Table-2.

Selecting a Backshell can also be done from our web link:

<http://www.backshellworld.com/backshelldesigner.asp>

#### CROSS-REFERENCE TO OTHER MANUFACTURER’S BACKSHELLS

If you have a Military part number or other manufacturer’s part number for which you are looking for an equivalent item, we have provided a cross-reference on our web link:

<http://www.backshellworld.com/crossreference.aspx>

#### CUSTOM BUILT BACKSHELLS

Backshells for Military & Aerospace applications are governed by SAE, AS85049 standard and Amphenol Backshells are designed to meet the requirement of this standard. Though this standard covers the most popular styles of backshells, many applications call for additional styles and designs. Here is where the capability of Amphenol can support you from the concept to product realization and thereby your unique specification need is satisfied. Please visit our web link for further help:

<http://www.backshellworld.com/customdesign.asp>

38999

III

HD

Dualok

II

I

SJT

Accessories

Aquacon

Herm/Seal

PCB

High Speed

Fiber Optics

Contacts

EMI Filter Transient

26482

Matrix 2

83723

III  
Matrix | Pyle

26500

Pyle

5015

Crimp Rear Release  
Matrix

22992

Class L

Back-Shells

Options Others

## Backshells

### Tables - By Connector Groups

By Specification (TABLE-1A)

| Connector Specification | Series/Class | Connector Group Code |
|-------------------------|--------------|----------------------|
| 40M38277                |              | K                    |
| 40M39569                |              | J                    |
| BS9520                  | G0001        | K                    |
| BS9520                  | G0002        | K                    |
| BS9520                  | G0003        | L                    |
| BS9522 F0001            | Patt 602     | J                    |
| BS9522 F0012            | Patt 615     | M*                   |
| BS9522 F0017            | Patt 105     | N*                   |
| BS9522 F0020            | Patt 608     | N*                   |
| BS9522 F0029            | Patt 616     | K                    |
| BS9522 F0042            |              | J                    |
| BS9522 N0001            | Patt 603     | N*                   |
| BS9522 N0003            | Patt 614     | K                    |
| CECC 75201.001          |              | J                    |
| CECC 75201.002          |              | L                    |
| DEF 5326-3              |              | J                    |
| EN 2997                 |              | J                    |
| EN 3645                 |              | L                    |
| EN 3646                 |              | J                    |
| EN3372                  |              | M*                   |
| ESC 10                  |              | J                    |
| ESC11                   |              | J                    |
| JN1003                  |              | M*                   |
| LN 29504                |              | J                    |
| LN 29728                |              | J                    |
| LN29729                 |              | M*                   |
| MIL-C-81703             | 3            | J                    |
| MIL-DTL-26482           | 2            | J                    |
| MIL-DTL-38999           | I            | K                    |
| MIL-DTL-38999           | II           | K                    |
| MIL-DTL-38999           | III          | L                    |
| MIL-DTL-38999           | IV           | L                    |
| MIL-DTL-5015            | MS340        | J                    |
| MIL-DTL-5015            | MS345        | J                    |
| MIL-DTL-83723           | I            | J                    |
| MIL-DTL-83723           | III          | J                    |
| NAS 1599                |              | J                    |
| NFC93422                | HE302        | J                    |
| NFC93422                | HE306        | M*                   |
| NFC93422                | HE308        | K                    |
| NFC93422                | HE309        | K                    |
| NFL 54140               |              | J                    |
| PAN 6432-1              |              | J                    |
| PAN 6432-2              |              | J                    |
| PAN 6433-1              |              | K                    |
| PAN6433-2               |              | M*                   |
| VG 96912                | 2            | K                    |
| VG 96912                | 1            | M*                   |

By Manufacturer (TABLE-1D)

| Amphenol/Bendix/Socapex/Pyle Part Number Prefix | Connector Group Code |
|---|----------------------|
| 10-475  | K                    |
| 118   | J                    |
| 162GB   | N*                   |
| 418-1   | K                    |
| 418-2   | K                    |
| 418-5   | M*                   |
| 486   | J                    |
| 518   | J                    |
| 602GB   | J                    |
| 62GB  | N*                   |
| 652   | J                    |
| 711   | J                    |
| 801   | J                    |
| 91-483  | J                    |
| 944   | J                    |
| B   | J                    |
| BE  | J                    |
| BT  | J                    |
| BY1   | J                    |
| EA  | J                    |
| EB  | J                    |
| EEG   | J                    |
| ES  | J                    |
| ET  | J                    |
| JT  | K                    |
| LJT   | K                    |
| LS  | J                    |
| MB1   | J                    |
| MB3   | J                    |
| MB9   | K                    |
| MD  | J                    |
| ML94  | L                    |
| MQ3   | J                    |
| MT3   | J                    |
| MT93  | L                    |
| PTS-DR  | J                    |
| SJT   | M*                   |
| T3  | L                    |
| TV  | L                    |
| TVRB  | L                    |
| TVS   | L                    |

\* Connector Groups M and N are not included in this catalog section. For more information go to [backshellworld.com](http://backshellworld.com).

38999

|             |
|-------------|
| III         |
| HD          |
| Dualok      |
| II          |
| I           |
| SJT         |
| Accessories |
| Aquacon     |
| Herm/Seal   |
| PCB         |

|              |            |
|--------------|------------|
| Fiber Optics | High Speed |
|              | Contacts   |

|            |           |
|------------|-----------|
| EMI Filter | Transient |
|------------|-----------|

|          |       |
|----------|-------|
| Matrix 2 | 26482 |
|----------|-------|

|               |       |
|---------------|-------|
| Matrix   Pyle | 83723 |
|---------------|-------|

|      |       |
|------|-------|
| Pyle | 26500 |
|------|-------|

|                           |      |
|---------------------------|------|
| Crimp Rear Release Matrix | 5015 |
|---------------------------|------|

|         |       |
|---------|-------|
| Class 1 | 22992 |
|---------|-------|

|            |       |
|------------|-------|
| Back-Shell | Shell |
|------------|-------|

|         |        |
|---------|--------|
| Options | Others |
|---------|--------|



38999

- III
- HD
- Dualok
- II
- I
- SJT
- Accessories
- Aquacon
- Herm/Seal
- PCB

High Speed  
Fiber Optics  
Contacts

EMI Filter  
Transient

26482  
Matrix 2

83723  
III  
Matrix | Pyle

26500  
Pyle

5015  
Crimp Rear Release  
Matrix

22992  
Class L

Back-Shells

Options  
Others

#### MATERIALS & FINISHES

Amphenol offers adapters in the following standard finishes. The base material is aluminum alloy.

#### MATERIAL:

- Aluminum parts: As per ASTM B 211, 221, 209, 85, 26
- Steel parts: 300 series, as per AMS-QQ-S-763/ASTM A 582
- Elastomers: Fluro Silcon, Silicon
- Other parts: Suitable corrosion resistant material

#### MIL (QPL) QUALIFICATION

Many Amphenol Backshells are qualified to SAE-AS 85049 standard. (Old standard is MIL-C-85049).

TABLE-2 (PLATING FINISHES)

| Amphenol Designation | MIL Designation | Finish                                      | Guiding Specifications/Requirements  |
|----------------------|-----------------|---|--|
| A                    | A               | Anodize, Black*                             | To meet AS85049 requirements   |
| B                    |                 | Anodize, Hard*                              | AMS-A-8625, Type-III, Class-1  |
| L                    |                 | Nickel, Bright                              | AMS-QQ-290, Class-1, Grade-F   |
| M                    |                 | Electroless Nickel                          | AMS-C-26074, Class-4, Grade-B  |
| N                    | N               | Electroless Nickel                          | To meet AS85049 requirements   |
| T                    |                 | Cadmium, Bright                             | AMS-QQ-P-416, Type-I, Class-2  |
| U                    |                 | Cadmium, Olive drab                         | AMS-QQ-P-416, Type II, Class 3   |
| V                    |                 | Cadmium, Olive drab over Electroless Nickel | AMS-QQ-P-416, Type-II, Class-3 (Cadmium); AMS-C-26074, Class-4, grade-B (Nickel) |
| W                    | W               | Cadmium, Olive drab over Electroless Nickel | To meet AS85049 requirements   |
| Y                    |                 | Zinc-Cobalt, Dark Olive drab                | ASTM-B840  |
| Z                    |                 | Zinc-Cobalt, Black                          | ASTM-B840  |

For availability of other finishes, email your special requirements: email: sales@backshellworld.com

\* Non conductive coatings.

#### ASSEMBLY TORQUE VALUES

Amphenol recommends the following torque values for its adapters while assembling them to the connectors. These values are based on the coupling thread strength specified in SAE-AS85049 standard.

| Connector Shell Size | Torque (Inch-Pounds) |
|----------------------|----------------------|
| 8, 9                 | 40                   |
| 3, 10, 10SL, 11      | 40                   |
| 7, 12, 12S, 13       | 40                   |
| 14, 14S, 15          | 40                   |
| 16, 16S, 17          | 40                   |
| 18, 19, 27           | 40                   |
| 20, 21, 37           | 80                   |
| 22, 23               | 80                   |
| 24, 25, 61           | 80                   |
| 28                   | 100                  |
| 32                   | 100                  |
| 36                   | 100                  |
| 40                   | 120                  |
| 44                   | 120                  |
| 48                   | 120                  |

#### STYLE-2 CONFIGURATION

Some design consideration will require bigger diameter cable to be terminated in the smaller shell size connectors. Cable with heavy/thicker shielding, many wires for different branches/routing are some of the examples. Such cable termination will require a bigger adapter body with cable entry dimensions more than the connector rear side dimensions Amphenol also supports this kind of application. The coupling end of the adapter will be modified to Style-2 design as shown in the figure below in such cases. The overall length of the Style-2 design adapters would be increased by approx. 1 inch (25.mm) as shown. This alternative design is applicable for all the Backshell Families listed in this catalog.



# Non-Environmental Backshell

## Straight, Spin Coupling

### For Connector Family L

**38999 Series III, IV**

Connector Family "L", includes MIL-DTL-38999 Series III and Series IV



**MIL Part Number**  
**M85049 / 21 11 W 03 A**

MIL Series: M85049  
 Slash Sheet: 21: Straight, Spin Coupling  
 Shell Size: 11  
 Cable Range: W  
 Length: 03  
 Clamp Size: A

Length: See Table-A (Omit for "STD")  
 Clamp Size: See Table-A  
 Finish: See Table- 2 (pg. 486)

| MIL PART NUMBER DESIGNATOR |            |        | CONNECTOR SHELL SIZE/ CODE (REF.) | CABLE RANGE |       |       |       | A DIA. (MAX) |       | B (MAX) |       | Y (MAX) |       |       |      |       |
|----------------------------|------------|--------|-----------------------------------|-------------|-------|-------|-------|--------------|-------|---------|-------|---------|-------|-------|------|-------|
| CONNECTOR SHELL SIZE       | CLAMP SIZE | LENGTH |                                   | MIN         |       | MAX   |       | INCH         | MM    | INCH    | MM    | INCH    | MM    |       |      |       |
|                            |            |        |                                   | INCH        | MM    | INCH  | MM    |              |       |         |       |         |       |       |      |       |
| 9                          | 01         | STD.   | 09 / A                            | 0.06        | 1.57  | 0.13  | 3.18  | 0.75         | 19.05 | 1.53    | 38.86 | 0.80    | 20.32 |       |      |       |
|                            |            | A      |                                   |             |       |       |       |              |       | 2.53    | 64.26 |         |       |       |      |       |
|                            | 02         | STD.   |                                   | 0.13        | 3.18  | 0.25  | 6.35  |              |       | 1.53    | 38.86 | 1.00    | 25.40 |       |      |       |
|                            |            | A      |                                   | 2.53        | 64.26 |       |       |              |       |         |       |         |       |       |      |       |
| 11                         | 01         | STD.   |                                   | 11 / B      | 0.06  | 1.57  | 0.13  | 3.18         | 0.85  | 21.59   | 1.53  | 38.86   | 0.80  | 20.32 |      |       |
|                            |            | A      |                                   |             |       |       |       |              |       |         | 2.53  | 64.26   |       |       |      |       |
|                            | 02         | STD.   |                                   |             | 0.13  | 3.18  | 0.25  | 6.35         |       |         | 1.53  | 38.86   | 1.00  | 25.40 |      |       |
|                            |            | A      |                                   |             | 2.53  | 64.26 |       |              |       |         |       |         |       |       |      |       |
|                            | 03         | STD.   | 0.25                              |             | 6.35  | 0.38  | 9.53  | 1.53         |       |         | 38.86 | 1.10    | 27.94 |       |      |       |
|                            |            | A      | 2.53                              |             | 64.26 |       |       |              |       |         |       |         |       |       |      |       |
| 13                         |            | 02     | STD.                              | 13 / C      | 0.13  | 3.18  | 0.25  | 6.35         | 1.00  | 25.40   | 1.53  |         |       | 38.86 | 1.00 | 25.40 |
|                            |            |        | A                                 |             |       |       |       |              |       |         | 2.53  |         |       | 64.26 |      |       |
| 03                         | STD.       | 0.25   | 6.35                              |             | 0.38  | 9.53  | 1.53  | 38.86        |       |         | 1.10  | 27.94   |       |       |      |       |
|                            | A          | 2.53   | 64.26                             |             |       |       |       |              |       |         |       |         |       |       |      |       |
| 04                         | STD.       | 0.31   | 7.92                              |             | 0.50  | 12.70 | 1.53  | 38.86        |       |         | 1.20  | 30.48   |       |       |      |       |
|                            | A          | 2.53   | 64.26                             |             |       |       |       |              |       |         |       |         |       |       |      |       |
|                            | 15         | 02     | STD.                              | 15 / D      | 0.13  | 3.18  | 0.25  | 6.35         | 1.10  | 27.94   |       |         | 1.53  | 38.86 | 1.00 | 25.40 |
|                            |            |        | A                                 |             |       |       |       |              |       |         |       |         | 2.53  | 64.26 |      |       |
| 03                         |            | STD.   | 0.25                              |             | 6.35  | 0.38  | 9.53  | 1.53         |       |         | 38.86 | 1.10    | 27.94 |       |      |       |
|                            |            | A      | 2.53                              |             | 64.26 |       |       |              |       |         |       |         |       |       |      |       |
| 04                         |            | STD.   | 0.31                              |             | 7.92  | 0.50  | 12.70 | 1.53         |       |         | 38.86 | 1.20    | 30.48 |       |      |       |
|                            |            | A      | 2.53                              |             | 64.26 |       |       |              |       |         |       |         |       |       |      |       |
|                            | 05         | STD.   | 0.44                              | 11.10       | 0.63  | 15.88 | 1.53  | 38.86        | 1.25  | 31.75   |       |         |       |       |      |       |
|                            |            | A      | 2.53                              | 64.26       |       |       |       |              |       |         |       |         |       |       |      |       |
| 17                         | 02         | STD.   | 17/E                              | 0.13        | 3.18  | 0.25  | 6.35  | 1.25         | 31.75 | 1.53    | 38.86 | 1.00    | 25.40 |       |      |       |
|                            |            | A      |                                   |             |       |       |       |              |       | 2.53    | 64.26 |         |       |       |      |       |
|                            |            | B      |                                   |             |       |       |       |              |       | 3.53    | 89.66 |         |       |       |      |       |
|                            | 03         | STD.   |                                   | 0.25        | 6.35  | 0.38  | 9.53  |              |       | 1.53    | 38.86 | 1.10    | 27.94 |       |      |       |
|                            |            | A      |                                   | 2.53        | 64.26 |       |       |              |       |         |       |         |       |       |      |       |
|                            |            | B      |                                   | 3.53        | 89.66 |       |       |              |       |         |       |         |       |       |      |       |
|                            | 04         | STD.   | 0.31                              | 7.92        | 0.50  | 12.70 | 1.53  | 38.86        | 1.20  | 30.48   |       |         |       |       |      |       |
|                            |            | A      | 2.53                              | 64.26       |       |       |       |              |       |         |       |         |       |       |      |       |
|                            |            | B      | 3.53                              | 89.66       |       |       |       |              |       |         |       |         |       |       |      |       |

Note: For more cable entry and length options, email: sales@backshellworld.com  
 All dimensions for reference only.

TABLE CONTINUES ON NEXT PAGE

38999

- III
- HD
- Dualok
- II
- I
- SJT
- Accessories
- Aquacon
- Herm/Seal
- PCB

- Fiber Optics
- High Speed
- Contacts

- EMI Filter
- Transient

- Matrix 2
- 26482

- Matrix Pyle
- III
- 83723

- Pyle
- 26500

- Crimp Rear Release Matrix
- 5015

- Class I
- 22992

- Backshells

- Options
- Others

### For Connector Family L

**38999 Series III, IV**

Connector Family "L", includes MIL-DTL-38999 Series III and Series IV

TABLE – A, Cont.

| MIL PART NUMBER DESIGNATOR |            |        | CONNECTOR SHELL SIZE/ CODE (REF.) | CABLE RANGE |        |       |       | A DIA. (MAX) |       | B (MAX) |       | Y (MAX) |       |       |       |       |       |       |
|----------------------------|------------|--------|-----------------------------------|-------------|--------|-------|-------|--------------|-------|---------|-------|---------|-------|-------|-------|-------|-------|-------|
| CONNECTOR SHELL SIZE       | CLAMP SIZE | LENGTH |                                   | MIN         |        | MAX   |       | INCH         | MM    | INCH    | MM    | INCH    | MM    |       |       |       |       |       |
|                            |            |        |                                   | INCH        | MM     | INCH  | MM    |              |       |         |       |         |       |       |       |       |       |       |
| 17, cont.                  | 05         | STD.   | 17/E                              | 0.44        | 11.10  | 0.63  | 15.88 | 1.25         | 31.75 | 1.53    | 38.86 | 1.25    | 31.75 |       |       |       |       |       |
|                            |            | A      |                                   |             |        |       |       |              |       | 2.53    | 64.26 |         |       |       |       |       |       |       |
|                            |            | B      |                                   |             |        |       |       |              |       | 3.53    | 89.66 |         |       |       |       |       |       |       |
|                            | 06         | STD.   |                                   | 0.56        | 14.27  | 0.75  | 19.05 |              |       | 1.53    | 38.86 | 1.40    | 35.56 |       |       |       |       |       |
|                            |            | A      |                                   | 2.53        | 64.26  |       |       |              |       |         |       |         |       |       |       |       |       |       |
|                            |            | B      |                                   | 3.53        | 89.66  |       |       |              |       |         |       |         |       |       |       |       |       |       |
| 19                         | 03         | STD.   | 19 / F                            | 0.25        | 6.35   | 0.38  | 9.53  | 1.40         | 35.56 | 1.53    | 38.86 | 1.10    | 27.94 |       |       |       |       |       |
|                            |            | A      |                                   |             |        |       |       |              |       | 2.53    | 64.26 |         |       |       |       |       |       |       |
|                            |            | B      |                                   |             |        |       |       |              |       | 3.53    | 89.66 |         |       |       |       |       |       |       |
|                            | 04         | STD.   |                                   | 0.31        | 7.92   | 0.50  | 12.70 |              |       | 1.53    | 38.86 | 1.20    | 30.48 |       |       |       |       |       |
|                            |            | A      |                                   | 2.53        | 64.26  |       |       |              |       |         |       |         |       |       |       |       |       |       |
|                            |            | B      |                                   | 3.53        | 89.66  |       |       |              |       |         |       |         |       |       |       |       |       |       |
|                            | 05         | STD.   |                                   | 0.44        | 11.10  | 0.63  | 15.88 |              |       | 1.53    | 38.86 | 1.25    | 31.75 |       |       |       |       |       |
|                            |            | A      |                                   | 2.53        | 64.26  |       |       |              |       |         |       |         |       |       |       |       |       |       |
|                            |            | B      |                                   | 3.53        | 89.66  |       |       |              |       |         |       |         |       |       |       |       |       |       |
|                            | 06         | STD.   |                                   | 0.56        | 14.27  | 0.75  | 19.05 |              |       | 1.53    | 38.86 | 1.40    | 35.56 |       |       |       |       |       |
|                            |            | A      |                                   | 2.53        | 64.26  |       |       |              |       |         |       |         |       |       |       |       |       |       |
|                            |            | B      |                                   | 3.53        | 89.66  |       |       |              |       |         |       |         |       |       |       |       |       |       |
|                            | 07         | STD.   |                                   | 0.69        | 17.45  | 0.88  | 22.23 |              |       | 1.53    | 38.86 | 1.50    | 38.10 |       |       |       |       |       |
|                            |            | A      |                                   | 2.53        | 64.26  |       |       |              |       |         |       |         |       |       |       |       |       |       |
|                            |            | B      |                                   | 3.53        | 89.66  |       |       |              |       |         |       |         |       |       |       |       |       |       |
|                            | 21         | 03     |                                   | STD.        | 21 / G | 0.25  | 6.35  |              |       | 0.38    | 9.53  | 1.50    | 38.10 | 1.53  | 38.86 | 1.10  | 27.94 |       |
|                            |            |        |                                   | A           |        |       |       |              |       |         |       |         |       | 2.53  | 64.26 |       |       |       |
|                            |            |        |                                   | B           |        |       |       |              |       |         |       |         |       | 3.53  | 89.66 |       |       |       |
| 04                         |            | STD.   | 0.31                              | 7.92        |        | 0.50  | 12.70 | 1.53         | 38.86 | 1.20    | 30.48 |         |       |       |       |       |       |       |
|                            |            | A      | 2.53                              | 64.26       |        |       |       |              |       |         |       |         |       |       |       |       |       |       |
|                            |            | B      | 3.53                              | 89.66       |        |       |       |              |       |         |       |         |       |       |       |       |       |       |
| 05                         |            | STD.   | 0.44                              | 11.10       |        | 0.63  | 15.88 | 1.53         | 38.86 | 1.25    | 31.75 |         |       |       |       |       |       |       |
|                            |            | A      | 2.53                              | 64.26       |        |       |       |              |       |         |       |         |       |       |       |       |       |       |
|                            |            | B      | 3.53                              | 89.66       |        |       |       |              |       |         |       |         |       |       |       |       |       |       |
| 06                         |            | STD.   | 0.56                              | 14.27       |        | 0.75  | 19.05 | 1.53         | 38.86 | 1.40    | 35.56 |         |       |       |       |       |       |       |
|                            |            | A      | 2.53                              | 64.26       |        |       |       |              |       |         |       |         |       |       |       |       |       |       |
|                            |            | B      | 3.53                              | 89.66       |        |       |       |              |       |         |       |         |       |       |       |       |       |       |
| 07                         |            | STD.   | 0.69                              | 17.45       |        | 0.88  | 22.23 | 1.53         | 38.86 | 1.50    | 38.10 |         |       |       |       |       |       |       |
|                            |            | A      | 2.53                              | 64.26       |        |       |       |              |       |         |       |         |       |       |       |       |       |       |
|                            |            | B      | 3.53                              | 89.66       |        |       |       |              |       |         |       |         |       |       |       |       |       |       |
| 08                         |            | STD.   | 0.81                              | 20.62       |        | 1.00  | 25.40 | 1.53         | 38.86 | 1.65    | 41.91 |         |       |       |       |       |       |       |
|                            |            | A      | 2.53                              | 64.26       |        |       |       |              |       |         |       |         |       |       |       |       |       |       |
|                            |            | B      | 3.53                              | 89.66       |        |       |       |              |       |         |       |         |       |       |       |       |       |       |
| 23                         |            | 03     | STD.                              | 23 / H      |        | 0.25  | 6.35  | 0.38         | 9.53  | 1.65    | 41.91 |         |       | 1.53  | 38.86 | 1.10  | 27.94 |       |
|                            |            |        | A                                 |             |        |       |       |              |       |         |       |         |       | 2.53  | 64.26 |       |       |       |
|                            |            |        | B                                 |             |        |       |       |              |       |         |       |         |       | 3.53  | 89.66 |       |       |       |
|                            |            |        |                                   |             |        | STD.  | 0.25  | 6.35         | 0.38  |         |       |         |       | 9.53  | 1.53  | 38.86 | 1.10  | 27.94 |
|                            |            |        |                                   |             |        | A     | 2.53  | 64.26        |       |         |       |         |       |       |       |       |       |       |
|                            |            |        |                                   |             |        | B     | 3.53  | 89.66        |       |         |       |         |       |       |       |       |       |       |
|                            |            |        | STD.                              |             | 0.25   | 6.35  | 0.38  | 9.53         | 1.53  |         |       | 38.86   | 1.10  | 27.94 |       |       |       |       |
|                            |            |        | A                                 |             | 2.53   | 64.26 |       |              |       |         |       |         |       |       |       |       |       |       |
|                            |            |        | B                                 |             | 3.53   | 89.66 |       |              |       |         |       |         |       |       |       |       |       |       |

Note: For more cable entry and length options, email: [sales@backshellworld.com](mailto:sales@backshellworld.com)  
All dimensions for reference only.

TABLE CONTINUES ON NEXT PAGE

### For Connector Family L

38999

- III
- HD
- Dualok
- II
- I
- SJT
- Accessories
- Aquacon
- Herm/Seal
- PCB

- Fiber Optics
- High Speed
- Contacts

- EMI Filter
- Transient

- Matrix 2
- 26482

- Matrix I/Pyle
- 83723
- III

- Pyle
- 26500

- Crimp Rear Release Matrix
- 5015

- Class I
- 22992

- Back-Shell

- Options
- Others

**38999 Series III, IV**

Connector Family "L", includes MIL-DTL-38999 Series III and Series IV

TABLE - A, Cont.

| MIL PART NUMBER DESIGNATOR |            |        | CONNECTOR SHELL SIZE/ CODE (REF.) | CABLE RANGE |        |      |       | A DIA. (MAX) |       | B (MAX) |        | Y (MAX) |       |      |        |
|----------------------------|------------|--------|-----------------------------------|-------------|--------|------|-------|--------------|-------|---------|--------|---------|-------|------|--------|
| CONNECTOR SHELL SIZE       | CLAMP SIZE | LENGTH |                                   | MIN         |        | MAX  |       | INCH         | MM    | INCH    | MM     | INCH    | MM    |      |        |
|                            |            |        |                                   | INCH        | MM     | INCH | MM    |              |       |         |        |         |       |      |        |
| 23, cont.                  | 04         | STD.   | 23 / H                            | 0.31        | 7.92   | 0.50 | 12.70 | 1.65         | 41.91 | 1.53    | 38.86  | 1.20    | 30.48 |      |        |
|                            |            | A      |                                   |             |        |      |       |              |       | 2.53    | 64.26  |         |       |      |        |
|                            |            | B      |                                   |             |        |      |       |              |       | 3.53    | 89.66  |         |       |      |        |
|                            |            | C      |                                   |             |        |      |       |              |       | 4.53    | 115.06 |         |       |      |        |
|                            | 05         | STD.   |                                   | 0.44        | 11.10  | 0.63 | 15.88 |              |       | 1.53    | 38.86  | 1.25    | 31.75 |      |        |
|                            |            | A      |                                   | 2.53        | 64.26  |      |       |              |       |         |        |         |       |      |        |
|                            |            | B      |                                   | 3.53        | 89.66  |      |       |              |       |         |        |         |       |      |        |
|                            |            | C      |                                   | 4.53        | 115.06 |      |       |              |       |         |        |         |       |      |        |
|                            | 06         | STD.   |                                   | 0.56        | 14.27  | 0.75 | 19.05 |              |       | 1.53    | 38.86  | 1.40    | 35.56 |      |        |
|                            |            | A      |                                   |             |        |      |       |              |       |         |        |         |       | 2.53 | 64.26  |
|                            |            | B      |                                   |             |        |      |       |              |       |         |        |         |       | 3.53 | 89.66  |
|                            |            | C      |                                   |             |        |      |       |              |       |         |        |         |       | 4.53 | 115.06 |
|                            | 07         | STD.   |                                   | 0.69        | 17.45  | 0.88 | 22.23 |              |       | 1.53    | 38.86  | 1.50    | 38.10 |      |        |
|                            |            | A      |                                   |             |        |      |       |              |       |         |        |         |       | 2.53 | 64.26  |
|                            |            | B      |                                   |             |        |      |       |              |       |         |        |         |       | 3.53 | 89.66  |
|                            |            | C      |                                   |             |        |      |       |              |       |         |        |         |       | 4.53 | 115.06 |
|                            | 08         | STD.   |                                   | 0.81        | 20.62  | 1.00 | 25.40 |              |       | 1.53    | 38.86  | 1.65    | 41.91 |      |        |
|                            |            | A      |                                   |             |        |      |       |              |       |         |        |         |       | 2.53 | 64.26  |
|                            |            | B      |                                   |             |        |      |       |              |       |         |        |         |       | 3.53 | 89.66  |
|                            |            | C      |                                   |             |        |      |       |              |       |         |        |         |       | 4.53 | 115.06 |
|                            | 09         | STD.   |                                   | 0.94        | 23.80  | 1.13 | 28.58 |              |       | 1.53    | 38.86  | 1.75    | 44.45 |      |        |
|                            |            | A      |                                   |             |        |      |       |              |       |         |        |         |       | 2.53 | 64.26  |
|                            |            | B      |                                   |             |        |      |       |              |       |         |        |         |       | 3.53 | 89.66  |
|                            |            | C      |                                   |             |        |      |       |              |       |         |        |         |       | 4.53 | 115.06 |
| 25                         | 04         | STD.   | 25 / J                            | 0.31        | 7.92   | 0.50 | 12.70 | 1.75         | 44.45 | 1.53    | 38.86  | 1.20    | 30.48 |      |        |
|                            |            | A      |                                   |             |        |      |       |              |       | 2.53    | 64.26  |         |       |      |        |
|                            |            | B      |                                   |             |        |      |       |              |       | 3.53    | 89.66  |         |       |      |        |
|                            |            | C      |                                   |             |        |      |       |              |       | 4.53    | 115.06 |         |       |      |        |
|                            | 05         | STD.   |                                   | 0.44        | 11.10  | 0.63 | 15.88 |              |       | 1.53    | 38.86  | 1.25    | 31.75 |      |        |
|                            |            | A      |                                   | 2.53        | 64.26  |      |       |              |       |         |        |         |       |      |        |
|                            |            | B      |                                   | 3.53        | 89.66  |      |       |              |       |         |        |         |       |      |        |
|                            |            | C      |                                   | 4.53        | 115.06 |      |       |              |       |         |        |         |       |      |        |
|                            | 06         | STD.   |                                   | 0.56        | 14.27  | 0.75 | 19.05 |              |       | 1.53    | 38.86  | 1.40    | 35.56 |      |        |
|                            |            | A      |                                   |             |        |      |       |              |       |         |        |         |       | 2.53 | 64.26  |
|                            |            | B      |                                   |             |        |      |       |              |       |         |        |         |       | 3.53 | 89.66  |
|                            |            | C      |                                   |             |        |      |       |              |       |         |        |         |       | 4.53 | 115.06 |
|                            | 07         | STD.   |                                   | 0.69        | 17.45  | 0.88 | 22.23 |              |       | 1.53    | 38.86  | 1.50    | 38.10 |      |        |
|                            |            | A      |                                   |             |        |      |       |              |       |         |        |         |       | 2.53 | 64.26  |
|                            |            | B      |                                   |             |        |      |       |              |       |         |        |         |       | 3.53 | 89.66  |
|                            |            | C      |                                   |             |        |      |       |              |       |         |        |         |       | 4.53 | 115.06 |
|                            | 08         | STD.   |                                   | 0.81        | 20.62  | 1.00 | 25.40 |              |       | 1.53    | 38.86  | 1.65    | 41.91 |      |        |
|                            |            | A      |                                   |             |        |      |       |              |       |         |        |         |       | 2.53 | 64.26  |
|                            |            | B      |                                   |             |        |      |       |              |       |         |        |         |       | 3.53 | 89.66  |
|                            |            | C      |                                   |             |        |      |       |              |       |         |        |         |       | 4.53 | 115.06 |
|                            | 09         | STD.   |                                   | 0.94        | 23.80  | 1.13 | 28.58 |              |       | 1.53    | 38.86  | 1.75    | 44.45 |      |        |
|                            |            | A      |                                   |             |        |      |       |              |       |         |        |         |       | 2.53 | 64.26  |
|                            |            | B      |                                   |             |        |      |       |              |       |         |        |         |       | 3.53 | 89.66  |
|                            |            | C      |                                   |             |        |      |       |              |       |         |        |         |       | 4.53 | 115.06 |
| 10                         | STD.       | 1.06   | 26.97                             | 1.25        | 31.75  | 1.53 | 38.86 | 1.90         | 48.26 |         |        |         |       |      |        |
|                            | A          |        |                                   |             |        |      |       |              |       | 2.53    | 64.26  |         |       |      |        |
|                            | B          |        |                                   |             |        |      |       |              |       | 3.53    | 89.66  |         |       |      |        |
|                            | C          |        |                                   |             |        |      |       |              |       | 4.53    | 115.06 |         |       |      |        |

Note: For more cable entry and length options, email: sales@backshellworld.com. All dimensions for reference only.

### For Connector Family L

**38999 Series III, IV**

Connector Family "L", includes MIL-DTL-38999 Series III and Series IV

**MIL Part Number**

**M85049 / 19 11 W 03 A**

MIL Series: M85049 / 19  
 Slash Sheet: 19: Straight, Spin Coupling  
 Shell Size: 11  
 Length: 03  
 Clamp Size: A  
 Finish: A

Length: See Table-A (Omit for "STD")  
 Clamp Size: See Table-A  
 Finish: See Table-2 (pg. 486)



| TABLE-A                    |            |        |                                   |             |        |      |       |              |       |         |       |         |       |      |       |      |       |
|----------------------------|------------|--------|-----------------------------------|-------------|--------|------|-------|--------------|-------|---------|-------|---------|-------|------|-------|------|-------|
| MIL PART NUMBER DESIGNATOR |            |        | CONNECTOR SHELL SIZE/ CODE (REF.) | CABLE RANGE |        |      |       | A DIA. (MAX) |       | L (MAX) |       | Y (MAX) |       |      |       |      |       |
| CONNECTOR SHELL SIZE       | CLAMP SIZE | LENGTH |                                   | MIN         |        | MAX  |       | INCH         | MM    | INCH    | MM    | INCH    | MM    |      |       |      |       |
|                            |            |        |                                   | INCH        | MM     | INCH | MM    |              |       |         |       |         |       |      |       |      |       |
| 9                          | 01         | STD.   | 09 / A                            | 0.06        | 1.57   | 0.13 | 3.18  | 0.75         | 19.05 | 1.53    | 38.86 | 0.80    | 20.32 |      |       |      |       |
|                            |            | A      |                                   |             |        |      |       |              |       | 2.53    | 64.26 |         |       |      |       |      |       |
|                            | 02         | STD.   |                                   | 0.13        | 3.18   | 0.25 | 6.35  |              |       | 1.53    | 38.86 | 1.00    | 25.40 |      |       |      |       |
|                            |            | A      |                                   | 2.53        | 64.26  |      |       |              |       |         |       |         |       |      |       |      |       |
|                            | 11         | 01     |                                   | STD.        | 11 / B | 0.06 | 1.57  |              |       | 0.13    | 3.18  | 0.85    | 21.59 | 1.53 | 38.86 | 0.80 | 20.32 |
|                            |            |        |                                   | A           |        |      |       |              |       |         |       |         |       | 2.53 | 64.26 |      |       |
| 02                         |            | STD.   | 0.13                              | 3.18        |        | 0.25 | 6.35  | 1.53         | 38.86 | 1.00    | 25.40 |         |       |      |       |      |       |
|                            |            | A      |                                   |             |        |      |       | 2.53         | 64.26 |         |       |         |       |      |       |      |       |
| 03                         |            | STD.   | 0.25                              | 6.35        |        | 0.38 | 9.53  | 1.53         | 38.86 | 1.10    | 27.94 |         |       |      |       |      |       |
|                            |            | A      |                                   |             |        |      |       | 2.53         | 64.26 |         |       |         |       |      |       |      |       |
| 13                         | 02         | STD.   | 13 / C                            | 0.13        | 3.18   | 0.25 | 6.35  | 1.00         | 25.40 | 1.53    | 38.86 | 1.00    | 25.40 |      |       |      |       |
|                            |            | A      |                                   |             |        |      |       |              |       | 2.53    | 64.26 |         |       |      |       |      |       |
|                            | 03         | STD.   |                                   | 0.25        | 6.35   | 0.38 | 9.53  |              |       | 1.53    | 38.86 | 1.10    | 27.94 |      |       |      |       |
|                            |            | A      |                                   |             |        |      |       |              |       | 2.53    | 64.26 |         |       |      |       |      |       |
|                            | 04         | STD.   |                                   | 0.31        | 7.92   | 0.50 | 12.70 |              |       | 1.53    | 38.86 | 1.20    | 30.48 |      |       |      |       |
|                            |            | A      |                                   |             |        |      |       |              |       | 2.53    | 64.26 |         |       |      |       |      |       |
| 15                         | 02         | STD.   | 15 / D                            | 0.13        | 3.18   | 0.25 | 6.35  | 1.10         | 27.94 | 1.53    | 38.86 | 1.00    | 25.40 |      |       |      |       |
|                            |            | A      |                                   |             |        |      |       |              |       | 2.53    | 64.26 |         |       |      |       |      |       |
|                            |            | B      |                                   |             |        |      |       |              |       | 3.53    | 89.66 |         |       |      |       |      |       |
|                            | 03         | STD.   |                                   | 0.25        | 6.35   | 0.38 | 9.53  |              |       | 1.53    | 38.86 | 1.10    | 27.94 |      |       |      |       |
|                            |            | A      |                                   |             |        |      |       |              |       | 2.53    | 64.26 |         |       |      |       |      |       |
|                            |            | B      |                                   |             |        |      |       |              |       | 3.53    | 89.66 |         |       |      |       |      |       |
|                            | 04         | STD.   |                                   | 0.31        | 7.92   | 0.50 | 12.70 |              |       | 1.53    | 38.86 | 1.20    | 30.48 |      |       |      |       |
|                            |            | A      |                                   |             |        |      |       |              |       | 2.53    | 64.26 |         |       |      |       |      |       |
|                            |            | B      |                                   |             |        |      |       |              |       | 3.53    | 89.66 |         |       |      |       |      |       |
|                            | 05         | STD.   |                                   | 0.44        | 11.10  | 0.63 | 15.88 |              |       | 1.53    | 38.86 | 1.25    | 31.75 |      |       |      |       |
|                            |            | A      |                                   |             |        |      |       |              |       | 2.53    | 64.26 |         |       |      |       |      |       |
|                            |            | B      |                                   |             |        |      |       |              |       | 3.53    | 89.66 |         |       |      |       |      |       |

Note: For more cable entry and length options, email: sales@backshellworld.com  
 All dimensions for reference only.

TABLE CONTINUES ON NEXT PAGE



# Non-Environmental EMI/RFI Backshell

## Straight, Spin Coupling, cont.



### For Connector Family L

**38999 Series III, IV**

Connector Family "L", includes MIL-DTL-38999 Series III and Series IV

TABLE-A, cont.

| MIL PART NUMBER DESIGNATOR |            |        | CONNECTOR SHELL SIZE/ CODE (REF.) | CABLE RANGE |       |      |       | A DIA. (MAX) |       | L (MAX) |        | Y (MAX) |        |
|----------------------------|------------|--------|-----------------------------------|-------------|-------|------|-------|--------------|-------|---------|--------|---------|--------|
| CONNECTOR SHELL SIZE       | CLAMP SIZE | LENGTH |                                   | MIN         |       | MAX  |       | INCH         | MM    | INCH    | MM     | INCH    | MM     |
|                            |            |        |                                   | INCH        | MM    | INCH | MM    |              |       |         |        |         |        |
| 17                         | 02         | STD.   | 17 / E                            | 0.13        | 3.18  | 0.25 | 6.35  | 1.25         | 31.75 | 1.53    | 38.86  | 1.00    | 25.40  |
|                            |            | A      |                                   |             |       |      |       |              |       | 2.53    | 64.26  |         |        |
|                            |            | B      |                                   |             |       |      |       |              |       | 3.53    | 89.66  |         |        |
|                            | 03         | STD.   |                                   | 0.25        | 6.35  | 0.38 | 9.53  |              |       | 1.10    | 27.94  | 1.53    | 38.86  |
|                            |            | A      |                                   |             |       |      |       |              |       |         |        | 2.53    | 64.26  |
|                            |            | B      |                                   |             |       |      |       |              |       |         |        | 3.53    | 89.66  |
|                            | 04         | STD.   |                                   | 0.31        | 7.92  | 0.50 | 12.70 |              |       | 1.20    | 30.48  | 1.53    | 38.86  |
|                            |            | A      |                                   |             |       |      |       |              |       |         |        | 2.53    | 64.26  |
|                            |            | B      |                                   |             |       |      |       |              |       |         |        | 3.53    | 89.66  |
|                            | 05         | STD.   |                                   | 0.44        | 11.10 | 0.63 | 15.88 |              |       | 1.25    | 31.75  | 1.53    | 38.86  |
|                            |            | A      |                                   |             |       |      |       |              |       |         |        | 2.53    | 64.26  |
|                            |            | B      |                                   |             |       |      |       |              |       |         |        | 3.53    | 89.66  |
| 06                         | STD.       | 0.56   | 14.27                             | 0.75        | 19.05 | 1.40 | 35.56 | 1.53         | 38.86 |         |        |         |        |
|                            | A          |        |                                   |             |       |      |       | 2.53         | 64.26 |         |        |         |        |
|                            | B          |        |                                   |             |       |      |       | 3.53         | 89.66 |         |        |         |        |
| 19                         | 03         | STD.   | 19 / F                            | 0.25        | 6.35  | 0.38 | 9.53  | 1.40         | 35.56 | 1.53    | 38.86  | 1.10    | 27.94  |
|                            |            | A      |                                   |             |       |      |       |              |       | 2.53    | 64.26  |         |        |
|                            |            | B      |                                   |             |       |      |       |              |       | 3.53    | 89.66  |         |        |
|                            | 04         | STD.   |                                   | 0.31        | 7.92  | 0.50 | 12.70 |              |       | 1.20    | 30.48  | 1.53    | 38.86  |
|                            |            | A      |                                   |             |       |      |       |              |       |         |        | 2.53    | 64.26  |
|                            |            | B      |                                   |             |       |      |       |              |       |         |        | 3.53    | 89.66  |
|                            | 05         | STD.   |                                   | 0.44        | 11.10 | 0.63 | 15.88 |              |       | 1.25    | 31.75  | 1.53    | 38.86  |
|                            |            | A      |                                   |             |       |      |       |              |       |         |        | 2.53    | 64.26  |
|                            |            | B      |                                   |             |       |      |       |              |       |         |        | 3.53    | 89.66  |
|                            | 06         | STD.   |                                   | 0.56        | 14.27 | 0.75 | 19.05 |              |       | 1.40    | 35.56  | 1.53    | 38.86  |
|                            |            | A      |                                   |             |       |      |       |              |       |         |        | 2.53    | 64.26  |
|                            |            | B      |                                   |             |       |      |       |              |       |         |        | 3.53    | 89.66  |
| 07                         | STD.       | 0.69   | 17.45                             | 0.88        | 22.23 | 1.50 | 38.10 | 1.53         | 38.86 |         |        |         |        |
|                            | A          |        |                                   |             |       |      |       | 2.53         | 64.26 |         |        |         |        |
|                            | B          |        |                                   |             |       |      |       | 3.53         | 89.66 |         |        |         |        |
| 21                         | 03         | STD.   | 21 / G                            | 0.25        | 6.35  | 0.38 | 9.53  | 1.50         | 38.10 | 1.53    | 38.86  | 1.10    | 27.94  |
|                            |            | A      |                                   |             |       |      |       |              |       | 2.53    | 64.26  |         |        |
|                            |            | B      |                                   |             |       |      |       |              |       | 3.53    | 89.66  |         |        |
|                            |            | C      |                                   |             |       |      |       |              |       | 4.53    | 115.06 |         |        |
|                            | 04         | STD.   |                                   | 0.31        | 7.92  | 0.50 | 12.70 |              |       | 1.20    | 30.48  | 1.53    | 38.86  |
|                            |            | A      |                                   |             |       |      |       |              |       |         |        | 2.53    | 64.26  |
|                            |            | B      |                                   |             |       |      |       |              |       |         |        | 3.53    | 89.66  |
|                            |            | C      |                                   |             |       |      |       |              |       |         |        | 4.53    | 115.06 |
|                            | 05         | STD.   |                                   | 0.44        | 11.10 | 0.63 | 15.88 |              |       | 1.25    | 31.75  | 1.53    | 38.86  |
|                            |            | A      |                                   |             |       |      |       |              |       |         |        | 2.53    | 64.26  |
|                            |            | B      |                                   |             |       |      |       |              |       |         |        | 3.53    | 89.66  |
|                            |            | C      |                                   |             |       |      |       |              |       |         |        | 4.53    | 115.06 |
|                            | 06         | STD.   |                                   | 0.56        | 14.27 | 0.75 | 19.05 |              |       | 1.40    | 35.56  | 1.53    | 38.86  |
|                            |            | A      |                                   |             |       |      |       |              |       |         |        | 2.53    | 64.26  |
|                            |            | B      |                                   |             |       |      |       |              |       |         |        | 3.53    | 89.66  |
|                            |            | C      |                                   |             |       |      |       |              |       |         |        | 4.53    | 115.06 |
|                            | 07         | STD.   |                                   | 0.69        | 17.45 | 0.88 | 22.23 |              |       | 1.50    | 38.10  | 1.53    | 38.86  |
|                            |            | A      |                                   |             |       |      |       |              |       |         |        | 2.53    | 64.26  |
|                            |            | B      |                                   |             |       |      |       |              |       |         |        | 3.53    | 89.66  |
|                            |            | C      |                                   |             |       |      |       |              |       |         |        | 4.53    | 115.06 |
|                            | 08         | STD.   |                                   | 0.81        | 20.62 | 1.00 | 25.40 |              |       | 1.65    | 41.91  | 1.53    | 38.86  |
|                            |            | A      |                                   |             |       |      |       |              |       |         |        | 2.53    | 64.26  |
|                            |            | B      |                                   |             |       |      |       |              |       |         |        | 3.53    | 89.66  |
|                            |            | C      |                                   |             |       |      |       |              |       |         |        | 4.53    | 115.06 |

Note: For more cable entry and length options, email: sales@backshellworld.com  
All dimensions for reference only.

TABLE CONTINUES ON NEXT PAGE

38999

III

HD

Dualok

II

I

SJT

Accessories

Aquacon

Herm/Seal

PCB

Fiber

Optics

High Speed

Contacts

EMI Filter

Transient

26482

Matrix 2

83723

III

Matrix Pyle

26500

Pyle

5015

Crimp Rear Release Matrix

22992

Class 1

Back-

Shells

Options

Others

### For Connector Family L

**38999 Series III, IV**

Connector Family "L", includes MIL-DTL-38999 Series III and Series IV

38999

- III
- HD
- Dualok
- II
- I
- SJT
- Accessories
- Aquacon
- Herm/Seal
- PCB

- High Speed
- Fiber Optics
- Contacts

- EMI Filter Transient

- 26482
- Matrix 2

- 83723
- III
- Matrix | Pyle

- 26500
- Pyle

- 5015
- Crimp Rear Release Matrix

- 22992
- Class L

- Back-Shells

- Options Others

TABLE-A, cont.

| MIL PART NUMBER DESIGNATOR |            |        | CONNECTOR SHELL SIZE/ CODE (REF.) | CABLE RANGE |        |      |        | A DIA. (MAX) |       | L (MAX) |        | Y (MAX) |       |
|----------------------------|------------|--------|-----------------------------------|-------------|--------|------|--------|--------------|-------|---------|--------|---------|-------|
| CONNECTOR SHELL SIZE       | CLAMP SIZE | LENGTH |                                   | MIN         |        | MAX  |        | INCH         | MM    | INCH    | MM     | INCH    | MM    |
|                            |            |        |                                   | INCH        | MM     | INCH | MM     |              |       |         |        |         |       |
| 23                         | 03         | STD.   | 23 / H                            | 0.25        | 6.35   | 0.38 | 9.53   | 1.65         | 41.91 | 1.53    | 38.86  | 1.10    | 27.94 |
|                            |            | A      |                                   |             |        |      |        |              |       | 2.53    | 64.26  |         |       |
|                            |            | B      |                                   |             |        |      |        |              |       | 3.53    | 89.66  |         |       |
|                            |            | C      |                                   |             |        |      |        |              |       | 4.53    | 115.06 |         |       |
|                            | 04         | STD.   |                                   | 0.31        | 7.92   | 0.50 | 12.70  |              |       | 1.53    | 38.86  | 1.20    | 30.48 |
|                            |            | A      |                                   | 2.53        | 64.26  |      |        |              |       |         |        |         |       |
|                            |            | B      |                                   | 3.53        | 89.66  |      |        |              |       |         |        |         |       |
|                            |            | C      |                                   | 4.53        | 115.06 |      |        |              |       |         |        |         |       |
|                            | 05         | STD.   |                                   | 0.44        | 11.10  | 0.63 | 15.88  |              |       | 1.53    | 38.86  | 1.25    | 31.75 |
|                            |            | A      |                                   |             |        |      |        |              |       | 2.53    | 64.26  |         |       |
|                            |            | B      |                                   |             |        |      |        |              |       | 3.53    | 89.66  |         |       |
|                            |            | C      |                                   |             |        |      |        |              |       | 4.53    | 115.06 |         |       |
|                            | 06         | STD.   |                                   | 0.56        | 14.27  | 0.75 | 19.05  |              |       | 1.53    | 38.86  | 1.40    | 35.56 |
|                            |            | A      |                                   |             |        |      |        |              |       | 2.53    | 64.26  |         |       |
|                            |            | B      |                                   |             |        |      |        |              |       | 3.53    | 89.66  |         |       |
|                            |            | C      |                                   |             |        |      |        |              |       | 4.53    | 115.06 |         |       |
|                            | 07         | STD.   |                                   | 0.69        | 17.45  | 0.88 | 22.23  |              |       | 1.53    | 38.86  | 1.50    | 38.10 |
|                            |            | A      |                                   |             |        |      |        |              |       | 2.53    | 64.26  |         |       |
|                            |            | B      |                                   |             |        |      |        |              |       | 3.53    | 89.66  |         |       |
|                            |            | C      |                                   |             |        |      |        |              |       | 4.53    | 115.06 |         |       |
|                            | 08         | STD.   |                                   | 0.81        | 20.62  | 1.00 | 25.40  |              |       | 1.53    | 38.86  | 1.65    | 41.91 |
|                            |            | A      |                                   |             |        |      |        |              |       | 2.53    | 64.26  |         |       |
|                            |            | B      |                                   |             |        |      |        |              |       | 3.53    | 89.66  |         |       |
|                            |            | C      |                                   |             |        |      |        |              |       | 4.53    | 115.06 |         |       |
| 09                         | STD.       | 0.94   | 23.80                             | 1.13        | 28.58  | 1.53 | 38.86  | 1.75         | 44.45 |         |        |         |       |
|                            | A          |        |                                   |             |        | 2.53 | 64.26  |              |       |         |        |         |       |
|                            | B          |        |                                   |             |        | 3.53 | 89.66  |              |       |         |        |         |       |
|                            | C          |        |                                   |             |        | 4.53 | 115.06 |              |       |         |        |         |       |
| 25                         | 04         | STD.   | 25 / J                            | 0.31        | 7.92   | 0.50 | 12.70  | 1.75         | 44.45 | 1.53    | 38.86  | 1.20    | 30.48 |
|                            |            | A      |                                   |             |        |      |        |              |       | 2.53    | 64.26  |         |       |
|                            |            | B      |                                   |             |        |      |        |              |       | 3.53    | 89.66  |         |       |
|                            |            | C      |                                   |             |        |      |        |              |       | 4.53    | 115.06 |         |       |
|                            | 05         | STD.   |                                   | 0.44        | 11.10  | 0.63 | 15.88  |              |       | 1.53    | 38.86  | 1.25    | 31.75 |
|                            |            | A      |                                   |             |        |      |        |              |       | 2.53    | 64.26  |         |       |
|                            |            | B      |                                   |             |        |      |        |              |       | 3.53    | 89.66  |         |       |
|                            |            | C      |                                   |             |        |      |        |              |       | 4.53    | 115.06 |         |       |
|                            | 06         | STD.   |                                   | 0.56        | 14.27  | 0.75 | 19.05  |              |       | 1.53    | 38.86  | 1.40    | 35.56 |
|                            |            | A      |                                   |             |        |      |        |              |       | 2.53    | 64.26  |         |       |
|                            |            | B      |                                   |             |        |      |        |              |       | 3.53    | 89.66  |         |       |
|                            |            | C      |                                   |             |        |      |        |              |       | 4.53    | 115.06 |         |       |
|                            | 07         | STD.   |                                   | 0.69        | 17.45  | 0.88 | 22.23  |              |       | 1.53    | 38.86  | 1.50    | 38.10 |
|                            |            | A      |                                   |             |        |      |        |              |       | 2.53    | 64.26  |         |       |
|                            |            | B      |                                   |             |        |      |        |              |       | 3.53    | 89.66  |         |       |
|                            |            | C      |                                   |             |        |      |        |              |       | 4.53    | 115.06 |         |       |
|                            | 08         | STD.   |                                   | 0.81        | 20.62  | 1.00 | 25.40  |              |       | 1.53    | 38.86  | 1.65    | 41.91 |
|                            |            | A      |                                   |             |        |      |        |              |       | 2.53    | 64.26  |         |       |
|                            |            | B      |                                   |             |        |      |        |              |       | 3.53    | 89.66  |         |       |
|                            |            | C      |                                   |             |        |      |        |              |       | 4.53    | 115.06 |         |       |
|                            | 09         | STD.   |                                   | 0.94        | 23.80  | 1.13 | 28.58  |              |       | 1.53    | 38.86  | 1.75    | 44.45 |
|                            |            | A      |                                   |             |        |      |        |              |       | 2.53    | 64.26  |         |       |
|                            |            | B      |                                   |             |        |      |        |              |       | 3.53    | 89.66  |         |       |
|                            |            | C      |                                   |             |        |      |        |              |       | 4.53    | 115.06 |         |       |
| 10                         | STD.       | 1.06   | 26.97                             | 1.25        | 31.75  | 1.53 | 38.86  | 1.90         | 48.26 |         |        |         |       |
|                            | A          |        |                                   |             |        | 2.53 | 64.26  |              |       |         |        |         |       |
|                            | B          |        |                                   |             |        | 3.53 | 89.66  |              |       |         |        |         |       |
|                            | C          |        |                                   |             |        | 4.53 | 115.06 |              |       |         |        |         |       |

### For Connector Family L

**38999 Series III, IV**

Connector Family "L", includes MIL-DTL-38999 Series III and Series IV



**MIL Part Number**  
**M85049 / 18 11 W 03 A**

MIL Series: M85049 / 18  
 Slash Sheet: 18: Straight, Spin Coupling  
 Shell Size: See Table-A

Length: See Table-A (Omit for "STD")  
 Clamp Size: See Table-A  
 Finish: See Table-2 (pg. 486)

**TABLE - A**

| MIL PART NUMBER DESIGNATOR |            |             | CONNECTOR SHELL SIZE/ CODE (REF.) | CABLE RANGE |       |       |       | A DIA. (MAX) |       | B (MAX) |       | X (MAX) |       | Y (MAX) |       |       |       |       |
|----------------------------|------------|-------------|-----------------------------------|-------------|-------|-------|-------|--------------|-------|---------|-------|---------|-------|---------|-------|-------|-------|-------|
| CONNECTOR SHELL SIZE       | CLAMP SIZE | LENGTH CODE |                                   | MIN         |       | MAX   |       | INCH         | MM    | INCH    | MM    | INCH    | MM    | INCH    | MM    |       |       |       |
|                            |            |             |                                   | INCH        | MM    | INCH  | MM    |              |       |         |       |         |       |         |       |       |       |       |
| 9                          | 01         | STD.        | 09 / A                            | 0.06        | 1.57  | 0.13  | 3.18  | 0.75         | 19.05 | 1.53    | 38.86 | 1.25    | 31.75 | 0.80    | 20.32 |       |       |       |
|                            |            | A           |                                   | 2.53        | 64.26 | 1.00  | 25.40 |              |       |         |       |         |       |         |       |       |       |       |
|                            | 02         | STD.        |                                   | 0.13        | 3.18  | 0.25  | 6.35  |              |       | 1.53    | 38.86 |         |       | 1.25    | 31.75 | 1.00  | 25.40 |       |
|                            |            | A           |                                   | 2.53        | 64.26 | 1.10  | 27.94 |              |       |         |       |         |       |         |       |       |       |       |
| 11                         | 01         | STD.        |                                   | 11 / B      | 0.06  | 1.57  | 0.13  | 3.18         | 0.85  | 21.59   | 1.53  | 38.86   | 1.25  | 31.75   | 0.80  | 20.32 |       |       |
|                            |            | A           |                                   |             | 2.53  | 64.26 | 1.00  | 25.40        |       |         |       |         |       |         |       |       |       |       |
|                            | 02         | STD.        |                                   |             | 0.13  | 3.18  | 0.25  | 6.35         |       |         | 1.53  | 38.86   |       |         | 1.25  | 31.75 | 1.00  | 25.40 |
|                            |            | A           |                                   |             | 2.53  | 64.26 | 1.10  | 27.94        |       |         |       |         |       |         |       |       |       |       |
|                            | 03         | STD.        | 0.25                              |             | 6.35  | 0.38  | 9.53  | 1.53         |       |         | 38.86 | 1.25    |       |         | 31.75 | 1.10  | 27.94 |       |
|                            |            | A           | 2.53                              |             | 64.26 | 1.20  | 30.48 |              |       |         |       |         |       |         |       |       |       |       |
| 13                         | 02         | STD.        | 13 / C                            | 0.13        | 3.18  | 0.25  | 6.35  | 1.00         | 25.40 | 1.53    | 38.86 | 1.25    | 31.75 | 1.00    | 25.40 |       |       |       |
|                            |            | A           |                                   | 2.53        | 64.26 | 1.10  | 27.94 |              |       |         |       |         |       |         |       |       |       |       |
|                            | 03         | STD.        |                                   | 0.25        | 6.35  | 0.38  | 9.53  |              |       | 1.53    | 38.86 |         |       | 1.25    | 31.75 | 1.10  | 27.94 |       |
|                            |            | A           |                                   | 2.53        | 64.26 | 1.20  | 30.48 |              |       |         |       |         |       |         |       |       |       |       |
| 15                         | 02         | STD.        | 15 / D                            | 0.13        | 3.18  | 0.25  | 6.35  | 1.15         | 29.21 | 1.53    | 38.86 | 1.25    | 31.75 | 1.00    | 25.40 |       |       |       |
|                            |            | A           |                                   | 2.53        | 64.26 | 1.10  | 27.94 |              |       |         |       |         |       |         |       |       |       |       |
|                            |            | B           |                                   | 3.53        | 89.66 | 1.20  | 30.48 |              |       |         |       |         |       |         |       |       |       |       |
|                            | 03         | STD.        |                                   | 0.25        | 6.35  | 0.38  | 9.53  |              |       | 1.53    | 38.86 |         |       | 1.25    | 31.75 | 1.10  | 27.94 |       |
|                            |            | A           |                                   | 2.53        | 64.26 | 1.20  | 30.48 |              |       |         |       |         |       |         |       |       |       |       |
|                            |            | B           |                                   | 3.53        | 89.66 | 1.31  | 33.27 |              |       |         |       |         |       |         |       |       |       |       |
|                            | 04         | STD.        |                                   | 0.38        | 9.53  | 0.50  | 12.70 |              |       | 1.53    | 38.86 |         |       | 1.25    | 31.75 | 1.20  | 30.48 |       |
|                            |            | A           |                                   | 2.53        | 64.26 | 1.31  | 33.27 |              |       |         |       |         |       |         |       |       |       |       |
|                            |            | B           |                                   | 3.53        | 89.66 | 1.40  | 35.56 |              |       |         |       |         |       |         |       |       |       |       |
|                            |            | B           |                                   | 3.53        | 89.66 | 1.40  | 35.56 |              |       |         |       |         |       |         |       |       |       |       |
| 05                         | STD.       | 0.50        | 12.70                             | 0.63        | 15.88 | 1.53  | 38.86 | 1.31         | 33.27 | 1.25    | 31.75 |         |       |         |       |       |       |       |
|                            | A          | 2.53        | 64.26                             | 1.40        | 35.56 |       |       |              |       |         |       |         |       |         |       |       |       |       |
|                            | B          | 3.53        | 89.66                             | 1.50        | 38.10 |       |       |              |       |         |       |         |       |         |       |       |       |       |
|                            | B          | 3.53        | 89.66                             | 1.50        | 38.10 |       |       |              |       |         |       |         |       |         |       |       |       |       |
|                            | B          | 3.53        | 89.66                             | 1.50        | 38.10 |       |       |              |       |         |       |         |       |         |       |       |       |       |
|                            | B          | 3.53        | 89.66                             | 1.50        | 38.10 |       |       |              |       |         |       |         |       |         |       |       |       |       |
| 17                         | 02         | STD.        | 17 / E                            | 0.13        | 3.18  | 0.25  | 6.35  | 1.25         | 31.75 | 1.53    | 38.86 | 1.25    | 31.75 | 1.00    | 25.40 |       |       |       |
|                            |            | A           |                                   | 2.53        | 64.26 | 1.10  | 27.94 |              |       |         |       |         |       |         |       |       |       |       |
|                            |            | B           |                                   | 3.53        | 89.66 | 1.20  | 30.48 |              |       |         |       |         |       |         |       |       |       |       |
|                            | 03         | STD.        |                                   | 0.25        | 6.35  | 0.38  | 9.53  |              |       | 1.53    | 38.86 |         |       | 1.25    | 31.75 | 1.10  | 27.94 |       |
|                            |            | A           |                                   | 2.53        | 64.26 | 1.31  | 33.27 |              |       |         |       |         |       |         |       |       |       |       |
|                            |            | B           |                                   | 3.53        | 89.66 | 1.40  | 35.56 |              |       |         |       |         |       |         |       |       |       |       |
|                            | 04         | STD.        |                                   | 0.38        | 9.53  | 0.50  | 12.70 |              |       | 1.53    | 38.86 |         |       | 1.25    | 31.75 | 1.20  | 30.48 |       |
|                            |            | A           |                                   | 2.53        | 64.26 | 1.40  | 35.56 |              |       |         |       |         |       |         |       |       |       |       |
|                            |            | B           |                                   | 3.53        | 89.66 | 1.50  | 38.10 |              |       |         |       |         |       |         |       |       |       |       |
|                            | 05         | STD.        |                                   | 0.50        | 12.70 | 0.63  | 15.88 |              |       | 1.53    | 38.86 |         |       | 1.31    | 33.27 | 1.25  | 31.75 |       |
|                            |            | A           |                                   | 2.53        | 64.26 | 1.40  | 35.56 |              |       |         |       |         |       |         |       |       |       |       |
|                            |            | B           |                                   | 3.53        | 89.66 | 1.50  | 38.10 |              |       |         |       |         |       |         |       |       |       |       |
| 06                         | STD.       | 0.63        | 15.88                             | 0.75        | 19.05 | 1.53  | 38.86 | 1.38         | 35.05 | 1.40    | 35.56 |         |       |         |       |       |       |       |
|                            | A          | 2.53        | 64.26                             | 1.50        | 38.10 |       |       |              |       |         |       |         |       |         |       |       |       |       |
|                            | B          | 3.53        | 89.66                             | 1.60        | 40.64 |       |       |              |       |         |       |         |       |         |       |       |       |       |

Note: For more cable entry and length options, email: sales@backshellworld.com  
 All dimensions for reference only.

TABLE CONTINUES ON NEXT PAGE

38999

- III
- HD
- Dualok
- II
- I
- SJT
- Accessories
- Aquacon
- Herm/Seal
- PCB

Fiber Optics

High Speed

Contacts

EMI Filter

Transient

Matrix 2

26482

Matrix 1 Pyle

83723

III

Pyle

26500

Crimp Rear Release Matrix

5015

Class 1

22992

Backshells

Options Others

### For Connector Family L

**38999 Series III, IV**

Connector Family "L", includes MIL-DTL-38999 Series III and Series IV

38999

III  
HD  
Dualok  
II  
I  
SJT  
Accessories  
Aquacon  
Herm/Seal  
PCB

High Speed  
Fiber Optics  
Contacts

EMI Filter  
Transient

26482  
Matrix 2

83723  
III  
Matrix | Pyle

26500  
Pyle

5015  
Crimp Rear  
Release  
Matrix

22992  
Class L

Back-  
Shells

Options  
Others

**TABLE - A, cont.**

| MIL PART NUMBER | DESIGNATOR | CONNECTOR SHELL SIZE/ CODE (REF.) | CABLE RANGE |       |       |       | A DIA. (MAX) |       | B (MAX) |        | X (MAX) |       | Y (MAX) |       |
|-----------------|------------|-----------------------------------|-------------|-------|-------|-------|--------------|-------|---------|--------|---------|-------|---------|-------|
|                 |            |                                   | MIN         |       | MAX   |       | INCH         | MM    | INCH    | MM     | INCH    | MM    | INCH    | MM    |
|                 |            |                                   | INCH        | MM    | INCH  | MM    |              |       |         |        |         |       |         |       |
| 19              | 03         | STD.                              | 0.25        | 6.35  | 0.38  | 9.53  | 1.40         | 35.56 | 1.53    | 38.86  | 1.25    | 31.75 | 1.10    | 27.94 |
|                 |            | A                                 |             |       |       |       |              |       | 2.53    | 64.26  |         |       |         |       |
|                 |            | B                                 |             |       |       |       |              |       | 3.53    | 89.66  |         |       |         |       |
|                 |            | STD.                              |             |       |       |       |              |       | 1.53    | 38.86  |         |       |         |       |
|                 |            | A                                 |             |       |       |       |              |       | 2.53    | 64.26  |         |       |         |       |
|                 |            | B                                 |             |       |       |       |              |       | 3.53    | 89.66  |         |       |         |       |
|                 | 04         | STD.                              | 0.38        | 9.53  | 0.50  | 12.70 | 1.40         | 35.56 | 1.53    | 38.86  | 1.25    | 31.75 | 1.20    | 30.48 |
|                 |            | A                                 |             |       |       |       |              |       | 2.53    | 64.26  |         |       |         |       |
|                 |            | B                                 |             |       |       |       |              |       | 3.53    | 89.66  |         |       |         |       |
|                 |            | STD.                              |             |       |       |       |              |       | 1.53    | 38.86  |         |       |         |       |
|                 |            | A                                 |             |       |       |       |              |       | 2.53    | 64.26  |         |       |         |       |
|                 |            | B                                 |             |       |       |       |              |       | 3.53    | 89.66  |         |       |         |       |
|                 | 05         | STD.                              | 0.50        | 12.70 | 0.63  | 15.88 | 1.40         | 35.56 | 1.53    | 38.86  | 1.31    | 33.27 | 1.25    | 31.75 |
|                 |            | A                                 |             |       |       |       |              |       | 2.53    | 64.26  |         |       |         |       |
|                 |            | B                                 |             |       |       |       |              |       | 3.53    | 89.66  |         |       |         |       |
|                 |            | STD.                              |             |       |       |       |              |       | 1.53    | 38.86  |         |       |         |       |
|                 |            | A                                 |             |       |       |       |              |       | 2.53    | 64.26  |         |       |         |       |
|                 |            | B                                 |             |       |       |       |              |       | 3.53    | 89.66  |         |       |         |       |
| 06              | STD.       | 0.63                              | 15.88       | 0.75  | 19.05 | 1.40  | 35.56        | 1.53  | 38.86   | 1.38   | 35.05   | 1.40  | 35.56   |       |
|                 | A          |                                   |             |       |       |       |              | 2.53  | 64.26   |        |         |       |         |       |
|                 | B          |                                   |             |       |       |       |              | 3.53  | 89.66   |        |         |       |         |       |
|                 | STD.       |                                   |             |       |       |       |              | 1.53  | 38.86   |        |         |       |         |       |
|                 | A          |                                   |             |       |       |       |              | 2.53  | 64.26   |        |         |       |         |       |
|                 | B          |                                   |             |       |       |       |              | 3.53  | 89.66   |        |         |       |         |       |
| 07              | STD.       | 0.75                              | 19.05       | 0.88  | 22.23 | 1.40  | 35.56        | 1.53  | 38.86   | 1.50   | 38.10   | 1.50  | 38.10   |       |
|                 | A          |                                   |             |       |       |       |              | 2.53  | 64.26   |        |         |       |         |       |
|                 | B          |                                   |             |       |       |       |              | 3.53  | 89.66   |        |         |       |         |       |
|                 | STD.       |                                   |             |       |       |       |              | 1.53  | 38.86   |        |         |       |         |       |
|                 | A          |                                   |             |       |       |       |              | 2.53  | 64.26   |        |         |       |         |       |
|                 | B          |                                   |             |       |       |       |              | 3.53  | 89.66   |        |         |       |         |       |
| 21              | 03         | STD.                              | 0.25        | 6.35  | 0.38  | 9.53  | 1.55         | 39.37 | 1.53    | 38.86  | 1.25    | 31.75 | 1.10    | 27.94 |
|                 |            | A                                 |             |       |       |       |              |       | 2.53    | 64.26  |         |       |         |       |
|                 |            | B                                 |             |       |       |       |              |       | 3.53    | 89.66  |         |       |         |       |
|                 |            | C                                 |             |       |       |       |              |       | 4.53    | 115.06 |         |       |         |       |
|                 |            | STD.                              |             |       |       |       |              |       | 1.53    | 38.86  |         |       |         |       |
|                 |            | A                                 |             |       |       |       |              |       | 2.53    | 64.26  |         |       |         |       |
|                 | 04         | STD.                              | 0.38        | 9.53  | 0.50  | 12.70 | 1.55         | 39.37 | 1.53    | 38.86  | 1.25    | 31.75 | 1.20    | 30.48 |
|                 |            | A                                 |             |       |       |       |              |       | 2.53    | 64.26  |         |       |         |       |
|                 |            | B                                 |             |       |       |       |              |       | 3.53    | 89.66  |         |       |         |       |
|                 |            | C                                 |             |       |       |       |              |       | 4.53    | 115.06 |         |       |         |       |
|                 |            | STD.                              |             |       |       |       |              |       | 1.53    | 38.86  |         |       |         |       |
|                 |            | A                                 |             |       |       |       |              |       | 2.53    | 64.26  |         |       |         |       |
|                 | 05         | STD.                              | 0.50        | 12.70 | 0.63  | 15.88 | 1.55         | 39.37 | 1.53    | 38.86  | 1.31    | 33.27 | 1.25    | 31.75 |
|                 |            | A                                 |             |       |       |       |              |       | 2.53    | 64.26  |         |       |         |       |
|                 |            | B                                 |             |       |       |       |              |       | 3.53    | 89.66  |         |       |         |       |
|                 |            | C                                 |             |       |       |       |              |       | 4.53    | 115.06 |         |       |         |       |
|                 |            | STD.                              |             |       |       |       |              |       | 1.53    | 38.86  |         |       |         |       |
|                 |            | A                                 |             |       |       |       |              |       | 2.53    | 64.26  |         |       |         |       |
| 06              | STD.       | 0.63                              | 15.88       | 0.75  | 19.05 | 1.55  | 39.37        | 1.53  | 38.86   | 1.38   | 35.05   | 1.40  | 35.56   |       |
|                 | A          |                                   |             |       |       |       |              | 2.53  | 64.26   |        |         |       |         |       |
|                 | B          |                                   |             |       |       |       |              | 3.53  | 89.66   |        |         |       |         |       |
|                 | C          |                                   |             |       |       |       |              | 4.53  | 115.06  |        |         |       |         |       |
|                 | STD.       |                                   |             |       |       |       |              | 1.53  | 38.86   |        |         |       |         |       |
|                 | A          |                                   |             |       |       |       |              | 2.53  | 64.26   |        |         |       |         |       |
| 07              | STD.       | 0.75                              | 19.05       | 0.88  | 22.23 | 1.55  | 39.37        | 1.53  | 38.86   | 1.50   | 38.10   | 1.50  | 38.10   |       |
|                 | A          |                                   |             |       |       |       |              | 2.53  | 64.26   |        |         |       |         |       |
|                 | B          |                                   |             |       |       |       |              | 3.53  | 89.66   |        |         |       |         |       |
|                 | C          |                                   |             |       |       |       |              | 4.53  | 115.06  |        |         |       |         |       |
|                 | STD.       |                                   |             |       |       |       |              | 1.53  | 38.86   |        |         |       |         |       |
|                 | A          |                                   |             |       |       |       |              | 2.53  | 64.26   |        |         |       |         |       |
| 08              | STD.       | 0.88                              | 22.23       | 1.00  | 25.40 | 1.55  | 39.37        | 1.53  | 38.86   | 1.63   | 41.40   | 1.65  | 41.91   |       |
|                 | A          |                                   |             |       |       |       |              | 2.53  | 64.26   |        |         |       |         |       |
|                 | B          |                                   |             |       |       |       |              | 3.53  | 89.66   |        |         |       |         |       |
|                 | C          |                                   |             |       |       |       |              | 4.53  | 115.06  |        |         |       |         |       |
|                 | STD.       |                                   |             |       |       |       |              | 1.53  | 38.86   |        |         |       |         |       |
|                 | A          |                                   |             |       |       |       |              | 2.53  | 64.26   |        |         |       |         |       |
| 23              | 03         | STD.                              | 0.25        | 6.35  | 0.38  | 9.53  | 1.65         | 41.91 | 1.53    | 38.86  | 1.25    | 31.75 | 1.10    | 27.94 |
|                 |            | A                                 |             |       |       |       |              |       | 2.53    | 64.26  |         |       |         |       |
|                 |            | B                                 |             |       |       |       |              |       | 3.53    | 89.66  |         |       |         |       |
|                 |            | C                                 |             |       |       |       |              |       | 4.53    | 115.06 |         |       |         |       |
|                 |            | STD.                              |             |       |       |       |              |       | 1.53    | 38.86  |         |       |         |       |
|                 |            | A                                 |             |       |       |       |              |       | 2.53    | 64.26  |         |       |         |       |
|                 | 04         | STD.                              | 0.38        | 9.53  | 0.50  | 12.70 | 1.65         | 41.91 | 1.53    | 38.86  | 1.25    | 31.75 | 1.20    | 30.48 |
|                 |            | A                                 |             |       |       |       |              |       | 2.53    | 64.26  |         |       |         |       |
|                 |            | B                                 |             |       |       |       |              |       | 3.53    | 89.66  |         |       |         |       |
|                 |            | C                                 |             |       |       |       |              |       | 4.53    | 115.06 |         |       |         |       |
|                 |            | STD.                              |             |       |       |       |              |       | 1.53    | 38.86  |         |       |         |       |
|                 |            | A                                 |             |       |       |       |              |       | 2.53    | 64.26  |         |       |         |       |
|                 | 05         | STD.                              | 0.50        | 12.70 | 0.63  | 15.88 | 1.65         | 41.91 | 1.53    | 38.86  | 1.31    | 33.27 | 1.25    | 31.75 |
|                 |            | A                                 |             |       |       |       |              |       | 2.53    | 64.26  |         |       |         |       |
|                 |            | B                                 |             |       |       |       |              |       | 3.53    | 89.66  |         |       |         |       |
|                 |            | C                                 |             |       |       |       |              |       | 4.53    | 115.06 |         |       |         |       |
|                 |            | STD.                              |             |       |       |       |              |       | 1.53    | 38.86  |         |       |         |       |
|                 |            | A                                 |             |       |       |       |              |       | 2.53    | 64.26  |         |       |         |       |
| 06              | STD.       | 0.63                              | 15.88       | 0.75  | 19.05 | 1.65  | 41.91        | 1.53  | 38.86   | 1.38   | 35.05   | 1.40  | 35.56   |       |
|                 | A          |                                   |             |       |       |       |              | 2.53  | 64.26   |        |         |       |         |       |
|                 | B          |                                   |             |       |       |       |              | 3.53  | 89.66   |        |         |       |         |       |
|                 | C          |                                   |             |       |       |       |              | 4.53  | 115.06  |        |         |       |         |       |
|                 | STD.       |                                   |             |       |       |       |              | 1.53  | 38.86   |        |         |       |         |       |
|                 | A          |                                   |             |       |       |       |              | 2.53  | 64.26   |        |         |       |         |       |

Note: For more cable entry and length options, email: [sales@backshellworld.com](mailto:sales@backshellworld.com)  
All dimensions for reference only.

TABLE CONTINUES ON NEXT PAGE

### For Connector Family L

**38999 Series III, IV**

Connector Family "L", includes MIL-DTL-38999 Series III and Series IV

| TABLE – A, cont.           |            |             |                                   |             |       |      |       |              |       |         |        |         |       |         |        |      |       |      |       |
|----------------------------|------------|-------------|-----------------------------------|-------------|-------|------|-------|--------------|-------|---------|--------|---------|-------|---------|--------|------|-------|------|-------|
| MIL PART NUMBER DESIGNATOR |            |             | CONNECTOR SHELL SIZE/ CODE (REF.) | CABLE RANGE |       |      |       | A DIA. (MAX) |       | B (MAX) |        | X (MAX) |       | Y (MAX) |        |      |       |      |       |
| CONNECTOR SHELL SIZE       | CLAMP SIZE | LENGTH CODE |                                   | MIN         |       | MAX  |       | INCH         | MM    | INCH    | MM     | INCH    | MM    | INCH    | MM     |      |       |      |       |
|                            |            |             |                                   | INCH        | MM    | INCH | MM    |              |       |         |        |         |       |         |        |      |       |      |       |
| 23, cont.                  | 07         | STD.        | 23 / H                            | 0.75        | 19.05 | 0.88 | 22.23 | 1.65         | 41.91 | 1.53    | 38.86  | 1.50    | 38.10 | 1.50    | 38.10  |      |       |      |       |
|                            |            | A           |                                   |             |       |      |       |              |       | 2.53    | 64.26  |         |       |         |        |      |       |      |       |
|                            |            | B           |                                   |             |       |      |       |              |       | 3.53    | 89.66  |         |       |         |        |      |       |      |       |
|                            |            | C           |                                   |             |       |      |       |              |       | 4.53    | 115.06 |         |       |         |        |      |       |      |       |
|                            | 08         | STD.        |                                   | 0.88        | 22.23 | 1.00 | 25.40 |              |       | 1.63    | 41.40  | 1.65    | 42.91 | 1.53    | 38.86  | 1.63 | 41.40 | 1.65 | 42.91 |
|                            |            | A           |                                   |             |       |      |       |              |       |         |        |         |       | 2.53    | 64.26  |      |       |      |       |
|                            |            | B           |                                   |             |       |      |       |              |       |         |        |         |       | 3.53    | 89.66  |      |       |      |       |
|                            |            | C           |                                   |             |       |      |       |              |       |         |        |         |       | 4.53    | 115.06 |      |       |      |       |
|                            | 09         | STD.        |                                   | 1.00        | 25.40 | 1.13 | 28.58 |              |       | 1.63    | 41.40  | 1.75    | 44.45 | 1.53    | 38.86  | 1.63 | 41.40 | 1.75 | 44.45 |
|                            |            | A           |                                   |             |       |      |       |              |       |         |        |         |       | 2.53    | 64.26  |      |       |      |       |
|                            |            | B           |                                   |             |       |      |       |              |       |         |        |         |       | 3.53    | 89.66  |      |       |      |       |
|                            |            | C           |                                   |             |       |      |       |              |       |         |        |         |       | 4.53    | 115.06 |      |       |      |       |
| 25                         | 04         | STD.        | 25 / J                            | 0.38        | 9.53  | 0.50 | 12.70 | 1.85         | 46.99 | 1.53    | 38.86  | 1.25    | 31.75 | 1.20    | 30.48  |      |       |      |       |
|                            |            | A           |                                   |             |       |      |       |              |       | 2.53    | 64.26  |         |       |         |        |      |       |      |       |
|                            |            | B           |                                   |             |       |      |       |              |       | 3.53    | 89.66  |         |       |         |        |      |       |      |       |
|                            |            | C           |                                   |             |       |      |       |              |       | 4.53    | 115.06 |         |       |         |        |      |       |      |       |
|                            | 05         | STD.        |                                   | 0.50        | 12.70 | 0.63 | 15.88 |              |       | 1.31    | 33.27  | 1.25    | 31.75 | 1.53    | 38.86  | 1.31 | 33.27 | 1.25 | 31.75 |
|                            |            | A           |                                   |             |       |      |       |              |       |         |        |         |       | 2.53    | 64.26  |      |       |      |       |
|                            |            | B           |                                   |             |       |      |       |              |       |         |        |         |       | 3.53    | 89.66  |      |       |      |       |
|                            |            | C           |                                   |             |       |      |       |              |       |         |        |         |       | 4.53    | 115.06 |      |       |      |       |
|                            | 06         | STD.        |                                   | 0.63        | 15.88 | 0.75 | 19.05 |              |       | 1.38    | 35.05  | 1.40    | 35.56 | 1.53    | 38.86  | 1.38 | 35.05 | 1.40 | 35.56 |
|                            |            | A           |                                   |             |       |      |       |              |       |         |        |         |       | 2.53    | 64.26  |      |       |      |       |
|                            |            | B           |                                   |             |       |      |       |              |       |         |        |         |       | 3.53    | 89.66  |      |       |      |       |
|                            |            | C           |                                   |             |       |      |       |              |       |         |        |         |       | 4.53    | 115.06 |      |       |      |       |
|                            | 07         | STD.        |                                   | 0.75        | 19.05 | 0.88 | 22.23 |              |       | 1.50    | 38.10  | 1.50    | 38.10 | 1.53    | 38.86  | 1.50 | 38.10 | 1.50 | 38.10 |
|                            |            | A           |                                   |             |       |      |       |              |       |         |        |         |       | 2.53    | 64.26  |      |       |      |       |
|                            |            | B           |                                   |             |       |      |       |              |       |         |        |         |       | 3.53    | 89.66  |      |       |      |       |
|                            |            | C           |                                   |             |       |      |       |              |       |         |        |         |       | 4.53    | 115.06 |      |       |      |       |
|                            | 08         | STD.        |                                   | 0.88        | 22.23 | 1.00 | 25.40 |              |       | 1.63    | 41.40  | 1.65    | 41.91 | 1.53    | 38.86  | 1.63 | 41.40 | 1.65 | 41.91 |
|                            |            | A           |                                   |             |       |      |       |              |       |         |        |         |       | 2.53    | 64.26  |      |       |      |       |
|                            |            | B           |                                   |             |       |      |       |              |       |         |        |         |       | 3.53    | 89.66  |      |       |      |       |
|                            |            | C           |                                   |             |       |      |       |              |       |         |        |         |       | 4.53    | 115.06 |      |       |      |       |
|                            | 09         | STD.        |                                   | 1.00        | 25.40 | 1.13 | 28.58 |              |       | 1.63    | 41.40  | 1.75    | 44.45 | 1.53    | 38.86  | 1.63 | 41.40 | 1.75 | 44.45 |
|                            |            | A           |                                   |             |       |      |       |              |       |         |        |         |       | 2.53    | 64.26  |      |       |      |       |
|                            |            | B           |                                   |             |       |      |       |              |       |         |        |         |       | 3.53    | 89.66  |      |       |      |       |
|                            |            | C           |                                   |             |       |      |       |              |       |         |        |         |       | 4.53    | 115.06 |      |       |      |       |
| 10                         | STD.       | 1.13        | 28.58                             | 1.25        | 31.75 | 1.63 | 41.40 | 1.90         | 48.26 | 1.53    | 38.86  | 1.63    | 41.40 | 1.90    | 48.26  |      |       |      |       |
|                            | A          |             |                                   |             |       |      |       |              |       | 2.53    | 64.26  |         |       |         |        |      |       |      |       |
|                            | B          |             |                                   |             |       |      |       |              |       | 3.53    | 89.66  |         |       |         |        |      |       |      |       |
|                            | C          |             |                                   |             |       |      |       |              |       | 4.53    | 115.06 |         |       |         |        |      |       |      |       |

Note: For more cable entry and length options, email: sales@backshellworld.com  
All dimensions for reference only.

38999

III  
HD  
Dualok  
II  
I  
SJT  
Accessories  
Aquacon  
Herm/Seal  
PCB

Fiber Optics  
High Speed  
Contacts

EMI Filter  
Transient

Matrix 2  
26482

Matrix Pyle  
III  
83723

Pyle  
26500

Crimp Rear Release  
Matrix  
5015

Class I  
22992

Back-Shell  
Shell

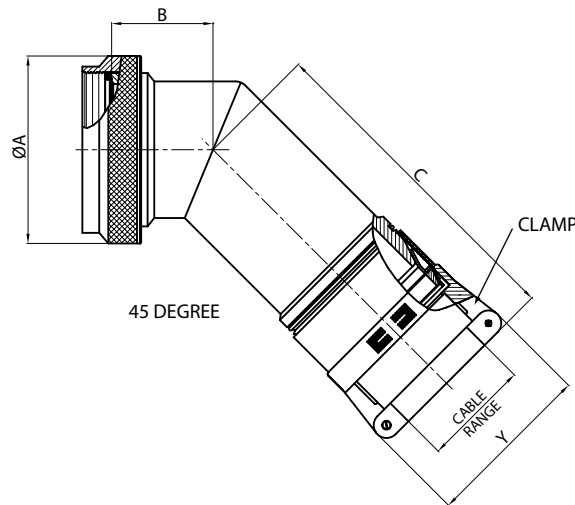
Options  
Others



### For Connector Family L

**38999 Series III, IV**

Connector Family "L", includes MIL-DTL-38999 Series III and Series IV



#### MIL Part Number

**M85049 / 79 11 W 03**

MIL Series: M85049 / 79  
 Slash Sheet: 11 (79: 90°, Spin Coupling; 78: 45°, Spin Coupling)  
 Shell Size: W (See Table-B)  
 Clamp Size: 03 (See Table-B)  
 Finish: (See Table-2, pg. 486)

**TABLE - B**

| MIL PART NUMBER DESIGNATOR |            | CONNECTOR SHELL SIZE/ CODE (REF.) | CABLE RANGE |       |      |       | A DIA. (MAX) |       | B (MAX) |       | C (MAX) |       | D (MAX) |       | E (MAX) |       | Y (MAX) |       |
|----------------------------|------------|-----------------------------------|-------------|-------|------|-------|--------------|-------|---------|-------|---------|-------|---------|-------|---------|-------|---------|-------|
| CONNECTOR SHELL SIZE       | CLAMP SIZE |                                   | MIN         |       | MAX  |       | INCH         | MM    | INCH    | MM    | INCH    | MM    | INCH    | MM    | INCH    | MM    | INCH    | MM    |
|                            |            |                                   | INCH        | MM    | INCH | MM    |              |       |         |       |         |       |         |       |         |       |         |       |
| 9                          | 01         | 09 / A                            | 0.06        | 1.57  | 0.13 | 3.18  | 0.75         | 19.05 | 0.46    | 11.68 | 3.15    | 80.01 | 0.69    | 17.53 | 3.46    | 87.88 | 0.80    | 20.32 |
|                            | 02         |                                   | 0.13        | 3.18  | 0.25 | 6.35  |              |       |         |       |         |       |         |       |         |       | 1.00    | 25.40 |
| 11                         | 01         | 11 / B                            | 0.06        | 1.57  | 0.13 | 3.18  | 0.85         | 21.59 | 0.52    | 13.21 | 3.21    | 81.53 | 0.78    | 19.81 | 3.58    | 90.93 | 0.80    | 20.32 |
|                            | 02         |                                   | 0.13        | 3.18  | 0.25 | 6.35  |              |       |         |       |         |       |         |       |         |       | 1.00    | 25.40 |
|                            | 03         |                                   | 0.25        | 6.35  | 0.38 | 9.53  |              |       |         |       |         |       |         |       |         |       | 1.10    | 27.94 |
| 13                         | 02         | 13 / C                            | 0.13        | 3.18  | 0.25 | 6.35  | 1.00         | 25.40 | 0.58    | 14.73 | 3.27    | 83.06 | 0.80    | 20.32 | 3.60    | 91.44 | 1.00    | 25.40 |
|                            | 03         |                                   | 0.25        | 6.35  | 0.38 | 9.53  |              |       |         |       |         |       |         |       |         |       | 1.10    | 27.94 |
|                            | 04         |                                   | 0.38        | 9.53  | 0.50 | 12.70 |              |       |         |       |         |       |         |       |         |       | 1.20    | 30.48 |
| 15                         | 02         | 15 / D                            | 0.13        | 3.18  | 0.25 | 6.35  | 1.15         | 29.21 | 0.65    | 16.51 | 3.36    | 85.34 | 0.88    | 22.35 | 3.67    | 93.22 | 1.00    | 25.40 |
|                            | 03         |                                   | 0.25        | 6.35  | 0.38 | 9.53  |              |       |         |       |         |       |         |       |         |       | 1.10    | 27.94 |
|                            | 04         |                                   | 0.38        | 9.53  | 0.50 | 12.70 |              |       |         |       |         |       |         |       |         |       | 1.20    | 30.48 |
|                            | 05         |                                   | 0.50        | 12.70 | 0.63 | 15.88 |              |       |         |       |         |       |         |       |         |       | 1.25    | 31.75 |
| 17                         | 02         | 17 / E                            | 0.13        | 3.18  | 0.25 | 6.35  | 1.25         | 31.75 | 0.74    | 18.80 | 3.47    | 88.14 | 0.93    | 23.62 | 3.76    | 95.50 | 1.00    | 25.40 |
|                            | 03         |                                   | 0.25        | 6.35  | 0.38 | 9.53  |              |       |         |       |         |       |         |       |         |       | 1.10    | 27.94 |
|                            | 04         |                                   | 0.38        | 9.53  | 0.50 | 12.70 |              |       |         |       |         |       |         |       |         |       | 1.20    | 30.48 |
|                            | 05         |                                   | 0.50        | 12.70 | 0.63 | 15.88 |              |       |         |       |         |       |         |       |         |       | 1.25    | 31.75 |
|                            | 06         |                                   | 0.63        | 15.88 | 0.75 | 19.05 |              |       |         |       |         |       |         |       |         |       | 1.40    | 35.56 |

Note: For more cable entry and length options, email: [sales@backshellworld.com](mailto:sales@backshellworld.com)  
 All dimensions for reference only.

TABLE CONTINUES ON NEXT PAGE

### For Connector Family L

**38999 Series III, IV**

Connector Family "L", includes MIL-DTL-38999 Series III and Series IV

TABLE - B, cont.

| MIL PART NUMBER DESIGNATOR |            | CONNECTOR SHELL SIZE/ CODE (REF.) | CABLE RANGE |       |       |       | A DIA. (MAX) |       | B (MAX) |       | C (MAX) |       | D (MAX) |       | E (MAX) |        | Y (MAX) |       |
|----------------------------|------------|-----------------------------------|-------------|-------|-------|-------|--------------|-------|---------|-------|---------|-------|---------|-------|---------|--------|---------|-------|
| CONNECTOR SHELL SIZE       | CLAMP SIZE |                                   | MIN         |       | MAX   |       | INCH         | MM    | INCH    | MM    | INCH    | MM    | INCH    | MM    | INCH    | MM     | INCH    | MM    |
|                            |            |                                   | INCH        | MM    | INCH  | MM    |              |       |         |       |         |       |         |       |         |        |         |       |
| 19                         | 03         | 19 / F                            | 0.25        | 6.35  | 0.38  | 9.53  | 1.40         | 35.56 | 0.93    | 23.62 | 3.66    | 92.96 | 1.01    | 25.65 | 3.93    | 99.82  | 1.10    | 27.94 |
|                            | 04         |                                   | 0.38        | 9.53  | 0.50  | 12.70 |              |       |         |       |         |       |         |       |         |        | 1.20    | 30.48 |
|                            | 05         |                                   | 0.50        | 12.70 | 0.63  | 15.88 |              |       |         |       |         |       |         |       |         |        | 1.25    | 31.75 |
|                            | 06         |                                   | 0.63        | 15.88 | 0.75  | 19.05 |              |       |         |       |         |       |         |       |         |        | 1.40    | 35.56 |
|                            | 07         |                                   | 0.75        | 19.05 | 0.88  | 22.23 |              |       |         |       |         |       |         |       |         |        | 1.50    | 38.10 |
| 21                         | 03         | 21 / G                            | 0.25        | 6.35  | 0.38  | 9.53  | 1.55         | 39.37 | 0.93    | 23.62 | 3.66    | 92.96 | 1.06    | 26.92 | 3.93    | 99.82  | 1.10    | 27.94 |
|                            | 04         |                                   | 0.38        | 9.53  | 0.50  | 12.70 |              |       |         |       |         |       |         |       |         |        | 1.20    | 30.48 |
|                            | 05         |                                   | 0.50        | 12.70 | 0.63  | 15.88 |              |       |         |       |         |       |         |       |         |        | 1.25    | 31.75 |
|                            | 06         |                                   | 0.63        | 15.88 | 0.75  | 19.05 |              |       |         |       |         |       |         |       |         |        | 1.40    | 35.56 |
|                            | 07         |                                   | 0.75        | 19.05 | 0.88  | 22.23 |              |       |         |       |         |       |         |       |         |        | 1.50    | 38.10 |
| 23                         | 03         | 23 / H                            | 0.25        | 6.35  | 0.38  | 9.53  | 1.65         | 41.91 | 1.02    | 25.91 | 3.81    | 96.77 | 1.17    | 29.72 | 4.04    | 102.62 | 1.10    | 27.94 |
|                            | 04         |                                   | 0.38        | 9.53  | 0.50  | 12.70 |              |       |         |       |         |       |         |       |         |        | 1.20    | 30.48 |
|                            | 05         |                                   | 0.50        | 12.70 | 0.63  | 15.88 |              |       |         |       |         |       |         |       |         |        | 1.25    | 31.75 |
|                            | 06         |                                   | 0.63        | 15.88 | 0.75  | 19.05 |              |       |         |       |         |       |         |       |         |        | 1.40    | 35.56 |
|                            | 07         |                                   | 0.75        | 19.05 | 0.88  | 22.23 |              |       |         |       |         |       |         |       |         |        | 1.50    | 38.10 |
| 25                         | 04         | 25 / J                            | 0.38        | 9.53  | 0.50  | 12.70 | 1.85         | 46.99 | 1.02    | 25.91 | 3.81    | 96.77 | 1.18    | 29.97 | 4.04    | 102.62 | 1.20    | 30.48 |
|                            | 05         |                                   | 0.50        | 12.70 | 0.63  | 15.88 |              |       |         |       |         |       |         |       |         |        | 1.25    | 31.75 |
|                            | 06         |                                   | 0.63        | 15.88 | 0.75  | 19.05 |              |       |         |       |         |       |         |       |         |        | 1.40    | 35.56 |
|                            | 07         |                                   | 0.75        | 19.05 | 0.88  | 22.23 |              |       |         |       |         |       |         |       |         |        | 1.50    | 38.10 |
|                            | 08         |                                   | 0.88        | 22.23 | 1.00  | 25.40 |              |       |         |       |         |       |         |       |         |        | 1.65    | 41.91 |
|                            | 09         | 1.00                              | 25.40       | 1.13  | 28.58 | 1.75  | 44.45        |       |         |       |         |       |         |       |         |        |         |       |
|                            | 10         | 1.13                              | 28.58       | 1.25  | 31.75 | 1.90  | 48.26        |       |         |       |         |       |         |       |         |        |         |       |

Note: For more cable entry and length options, email: [sales@backshellworld.com](mailto:sales@backshellworld.com)  
All dimensions for reference only.

38999

III

HD

Dualok

II

I

SJT

Accessories

Aquacon

Herm/Seal

PCB

Fiber Optics

High Speed

Contacts

EMI Filter

Transient

Matrix 2

26482

Matrix 1 Pyle

83723

III

Pyle

26500

5015

Crimp Rear Release Matrix

22992

Class 1

Backshells

Options

Others

### For Connector Family L

**38999 Series III, IV**

Connector Family "L", includes MIL-DTL-38999 Series III and Series IV



#### MIL Part Number



| TABLE-A                    |                                   |              |       |              |       |              |       |
|----------------------------|-----------------------------------|--------------|-------|--------------|-------|--------------|-------|
| MIL PART NUMBER DESIGNATOR | CONNECTOR SHELL SIZE/ CODE (REF.) | A DIA. (MAX) |       | B DIA. (MIN) |       | C DIA. (MAX) |       |
|                            |                                   | INCH         | MM    | INCH         | MM    | INCH         | MM    |
| 9                          | 09 / A                            | 0.75         | 19.05 | 0.25         | 6.35  | 0.53         | 13.54 |
| 11                         | 11 / B                            | 0.85         | 21.59 | 0.38         | 9.53  | 0.61         | 15.37 |
| 13                         | 13 / C                            | 1.00         | 25.40 | 0.50         | 12.70 | 0.77         | 19.66 |
| 15                         | 15 / D                            | 1.15         | 29.21 | 0.63         | 15.88 | 0.84         | 21.29 |
| 17                         | 17 / E                            | 1.25         | 31.75 | 0.75         | 19.05 | 0.94         | 23.77 |
| 19                         | 19 / F                            | 1.40         | 35.56 | 0.81         | 20.62 | 1.04         | 26.47 |
| 21                         | 21 / G                            | 1.55         | 39.37 | 0.94         | 23.80 | 1.22         | 30.91 |
| 23                         | 23 / H                            | 1.65         | 41.91 | 1.06         | 26.97 | 1.36         | 34.42 |
| 25                         | 25 / J                            | 1.85         | 46.99 | 1.19         | 30.18 | 1.44         | 36.65 |

Note: For more cable entry and length options, email: [sales@backshellworld.com](mailto:sales@backshellworld.com)  
 All dimensions for reference only.

- 38999
- III
- HD
- Dualok
- II
- I
- SJT
- Accessories
- Aquacon
- Herm/Seal
- PCB
- High Speed
- Fiber Optics
- Contacts
- EMI Filter Transient
- 26482
- Matrix 2
- 83723
- III
- Matrix | Pyle
- 26500
- Pyle
- 5015
- Crimp Rear Release Matrix
- 22992
- Class L
- Back-Shells
- Options Others

## Crimp Ring Adapter Straight, Spin Coupling without Ring

### For Connector Family L

**38999 Series III, IV**

Connector Family "L", includes MIL-DTL-38999 Series III and Series IV



Refer to page 544 for ordering details of Ring.

TABLE – A

| MIL PART NUMBER DESIGNATOR | CONNECTOR SHELL SIZE/ CODE (REF.) | A DIA.(MAX) |       | B DIA.(MAX) |       | C DIA.(MAX) |       |
|----------------------------|-----------------------------------|-------------|-------|-------------|-------|-------------|-------|
|                            |                                   | INCH        | MM    | INCH        | MM    | INCH        | MM    |
| 9                          | 9 / A                             | 0.75        | 19.05 | 0.27        | 6.73  | 0.35        | 8.81  |
| 11                         | 11 / B                            | 0.85        | 21.59 | 0.34        | 8.71  | 0.50        | 12.65 |
| 13                         | 13 / C                            | 1.00        | 25.40 | 0.44        | 11.10 | 0.51        | 12.95 |
| 15                         | 15 / D                            | 1.10        | 27.94 | 0.56        | 14.27 | 0.63        | 16.00 |
| 17                         | 17 / E                            | 1.25        | 31.75 | 0.69        | 17.45 | 0.76        | 19.30 |
| 19                         | 19 / F                            | 1.40        | 35.56 | 0.81        | 20.62 | 0.89        | 22.61 |
| 21                         | 21 / G                            | 1.50        | 38.10 | 0.94        | 23.80 | 1.01        | 25.65 |
| 23                         | 23 / H                            | 1.65        | 41.91 | 1.05        | 26.57 | 1.13        | 28.70 |
| 25                         | 25 / J                            | 1.75        | 44.45 | 1.13        | 28.58 | 1.20        | 30.53 |

Note: For more cable entry and length options, email: sales@backshellworld.com  
 All dimensions for reference only.

38999

III

HD

Dualok

II

I

SJT

Accessories

Aquacon

Herm/Seal

PCB

Fiber

Optics

Contacts

High Speed

EMC Filter

Transient

Matrix 2

26482

Matrix Pyle

III

83723

Pyle

26500

5015

Crimp Rear Release Matrix

Class 1

22992

Back-

Shells

Options

Others

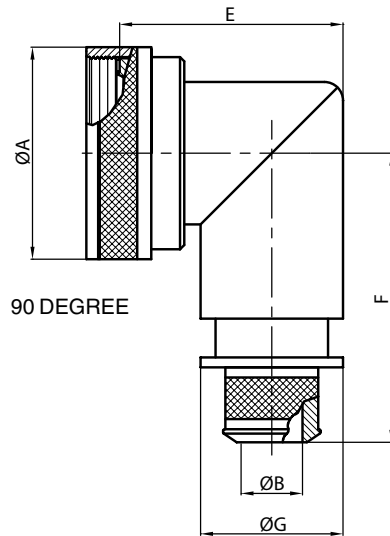
### For Connector Family L

**38999 Series III, IV**

Connector Family "L", includes MIL-DTL-38999 Series III and Series IV



STRAIGHT



90 DEGREE



45 DEGREE

#### MIL Part Number

**M85049 / 88 -11 W 03**

MIL Series

Slash Sheet:

88: Straight, Self-Lock  
90: 90°, Self-Lock  
89: 45°, Self-Lock

Entry Size:  
See Table-A

Finish:  
See Table-2  
(pg. 486)

Shell Size:  
See Table-A

TABLE-A

| MIL PART NUMBER DESIGNATOR |            | CONNECTOR SHELL SIZE/ CODE (REF.) | A DIA. (MAX) |       | B DIA. (MAX) |       | C (MAX) |       | D (MAX) |       | E (MAX) |       | F (MAX.) |       | G MAX |       |
|----------------------------|------------|-----------------------------------|--------------|-------|--------------|-------|---------|-------|---------|-------|---------|-------|----------|-------|-------|-------|
| CONNECTOR SHELL SIZE       | ENTRY SIZE |                                   | INCH         | MM    | +0.00        | +0.00 | INCH    | MM    | INCH    | MM    | INCH    | MM    | INCH     | MM    | INCH  | MM    |
|                            |            |                                   |              |       | -0.02        | -0.50 |         |       |         |       |         |       |          |       |       |       |
| 9                          | 02         | 09 / A                            | 0.86         | 21.82 | N/A          | N/A   | 1.01    | 25.65 | 1.16    | 29.46 | 1.38    | 34.93 | 1.42     | 35.99 | N/A   | N/A   |
|                            | 03         |                                   |              |       | 0.26         | 6.60  |         |       |         |       |         |       |          |       | 0.56  | 14.22 |
| 11                         | 02         | 11 / B                            | 0.99         | 25.04 | N/A          | N/A   | 1.03    | 26.16 | 1.19    | 30.23 | 1.44    | 36.50 | 1.48     | 37.59 | N/A   | N/A   |
|                            | 03         |                                   |              |       | 0.32         | 8.13  |         |       |         |       |         |       |          |       | 0.63  | 16.00 |
| 13                         | 02         | 13 / C                            | 1.16         | 29.36 | 0.32         | 8.13  | 1.06    | 26.92 | 1.21    | 30.73 | 1.56    | 39.67 | 1.55     | 39.45 | 0.63  | 16.00 |
|                            | 03         |                                   |              |       | 0.45         | 11.43 |         |       |         |       |         |       |          |       | 0.75  | 19.05 |
| 15                         | 02         | 15 / D                            | 1.28         | 32.54 | 0.45         | 11.43 | 1.08    | 27.43 | 1.24    | 31.50 | 1.69    | 42.85 | 1.61     | 41.00 | 0.75  | 19.05 |
|                            | 03         |                                   |              |       | 0.57         | 14.48 |         |       |         |       |         |       |          |       | 0.89  | 22.61 |
| 17                         | 02         | 17 / E                            | 1.41         | 35.71 | 0.51         | 12.95 | 1.11    | 28.19 | 1.26    | 32.00 | 1.75    | 44.45 | 1.68     | 42.62 | 0.82  | 20.83 |
|                            | 03         |                                   |              |       | 0.64         | 16.26 |         |       |         |       |         |       |          |       | 0.95  | 24.13 |
| 19                         | 02         | 19 / F                            | 1.52         | 38.51 | 0.64         | 16.26 | 1.12    | 28.45 | 1.27    | 32.26 | 1.88    | 47.63 | 1.77     | 45.03 | 0.95  | 24.13 |
|                            | 03         |                                   |              |       | 0.76         | 19.30 |         |       |         |       |         |       |          |       | 1.07  | 27.18 |
| 21                         | 02         | 21 / G                            | 1.64         | 41.68 | 0.64         | 16.26 | 1.15    | 29.21 | 1.30    | 33.02 | 1.94    | 49.23 | 1.80     | 45.62 | 0.95  | 24.13 |
|                            | 03         |                                   |              |       | 0.82         | 20.83 |         |       |         |       |         |       |          |       | 1.13  | 28.07 |
| 23                         | 02         | 23 / H                            | 1.77         | 44.86 | 0.70         | 17.78 | 1.17    | 29.72 | 1.33    | 33.78 | 2.06    | 52.37 | 1.86     | 47.22 | 1.02  | 25.99 |
|                            | 03         |                                   |              |       | 0.95         | 24.13 |         |       |         |       |         |       |          |       | 1.26  | 32.00 |
| 25                         | 02         | 25 / J                            | 1.89         | 48.03 | 0.76         | 19.30 | 1.20    | 30.48 | 1.35    | 34.29 | 2.13    | 53.98 | 1.92     | 48.74 | 1.07  | 27.18 |
|                            | 03         |                                   |              |       | 1.01         | 25.65 |         |       |         |       |         |       |          |       | 1.32  | 33.53 |

Note: For more cable entry and length options, email: [sales@backshellworld.com](mailto:sales@backshellworld.com)  
All dimensions for reference only.



## Pre-Shield Adapter

Straight, 90°, Spin Coupling/Self-Lock with Shield

For Connector Family L

**38999 Series III, IV**

Connector Family "L", includes MIL-DTL-38999 Series III and Series IV



**MIL Part Number**

**M85049 / 115 - 11 T W 03 -6 D**

- MIL Series: M85049 / 115
- Slash Sheet: 115: Straight, 117: 90°
- Coupling: -: Spin Coupling, S: Self-Lock
- Shell Size: See Table-A
- Drain Hole Option: D
- Shield Length: 6 inches min. to 18 inches max. in 1 inch increments (6: 6 inch, 7: 7 inch, so on)
- Entry Size: See Table-A & B
- Finish: See Table-2 (pg. 486)
- Shield Finish: (Material: Copper) K: Nickel, T: Tin

| PART NUMBER DESIGNATOR |                      |    | CONNECTOR SHELL SIZE/ CODE (REF.) | A DIA.(MAX) |       | H (MAX) |       | J (MAX) |       |
|------------------------|----------------------|----|-----------------------------------|-------------|-------|---------|-------|---------|-------|
| SHELL SIZE-MIL         | ALLOWABLE ENTRY SIZE |    |                                   | INCH        | MM    | INCH    | MM    | INCH    | MM    |
|                        | 09                   | -  | 01                                | 9 / A       | 0.860 | 21.84   | 1.73  | 43.94   | 0.88  |
| 11                     | 01                   | 03 | 11 / B                            | 0.980       | 24.89 | 1.85    | 46.99 | 1.00    | 25.40 |
| 13                     | 01                   | 05 | 13 / C                            | 1.160       | 29.46 | 1.87    | 47.50 | 1.13    | 28.70 |
| 15                     | 03                   | 07 | 15 / D                            | 1.280       | 32.51 | 1.94    | 49.28 | 1.31    | 33.27 |
| 17                     | 05                   | 09 | 17 / E                            | 1.410       | 35.81 | 2.03    | 51.56 | 1.50    | 38.10 |
| 19                     | 06                   | 10 | 19 / F                            | 1.520       | 38.61 | 2.20    | 55.88 | 1.75    | 44.45 |
| 21                     | 08                   | 12 | 21 / G                            | 1.640       | 41.66 | 2.20    | 55.88 | 1.75    | 44.45 |
| 23                     | 09                   | 13 | 23 / H                            | 1.770       | 44.96 | 2.31    | 58.67 | 2.00    | 50.80 |
| 25                     | 10                   | 14 | 25 / J                            | 1.890       | 48.01 | 2.31    | 58.67 | 2.00    | 50.80 |

Note: For more cable entry and length options, email: sales@backshellworld.com  
All dimensions for reference only.

| ENTRY SIZE | W ±0.020 | W ±0.508 | Y +0.008 -0.000 | Y +0.200 -0.000 | Z MAX | Z MAX |
|------------|----------|----------|-----------------|-----------------|-------|-------|
|            | INCH     | MM       | INCH            | MM              | INCH  | MM    |
| 01         | 0.250    | 6.350    | 0.044           | 1.12            | 0.56  | 14.22 |
| 02         | 0.312    | 7.920    | 0.044           | 1.12            | 0.63  | 16.00 |
| 03         | 0.375    | 9.530    | 0.044           | 1.12            | 0.69  | 17.53 |
| 04         | 0.438    | 11.130   | 0.044           | 1.12            | 0.75  | 19.05 |
| 05         | 0.500    | 12.700   | 0.044           | 1.12            | 0.82  | 20.83 |
| 06         | 0.562    | 14.270   | 0.044           | 1.12            | 0.89  | 22.61 |
| 07         | 0.625    | 15.880   | 0.044           | 1.12            | 0.95  | 24.13 |
| 08         | 0.688    | 17.480   | 0.044           | 1.12            | 1.02  | 25.91 |
| 09         | 0.750    | 19.050   | 0.069           | 1.75            | 1.07  | 27.18 |
| 10         | 0.812    | 20.620   | 0.069           | 1.75            | 1.13  | 28.70 |
| 11         | 0.875    | 22.230   | 0.069           | 1.75            | 1.19  | 30.23 |
| 12         | 0.938    | 23.830   | 0.069           | 1.75            | 1.26  | 32.00 |
| 13         | 1.000    | 25.400   | 0.069           | 1.75            | 1.32  | 33.53 |
| 14         | 1.125    | 28.575   | 0.069           | 1.75            | 1.47  | 37.34 |

38999

III

HD

Dualok

II

I

SJT

Accessories

Aquacon

Herm/Seal

PCB

Fiber

Optics

Contacts

High Speed

EMI Filter

Transient

Matrix 2

26482

Matrix 1

III

83723

Matrix 1

Pyle

26500

Crmp Rear

Matrix

5015

Class 1

22992

Back-

Shells

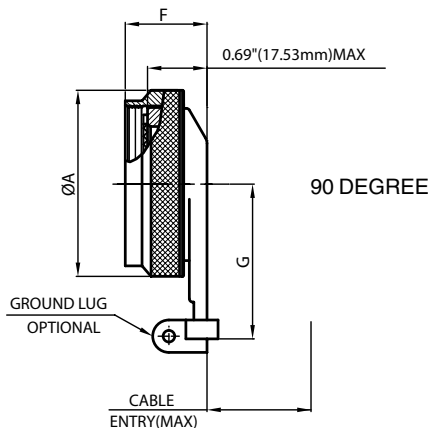
Options

Others

#### For Connector Family L

**38999 Series III, IV**

Connector Family "L", includes MIL-DTL-38999 Series III and Series IV



#### MIL Part Number

**M85049 / 16 - 11 W**

MIL Series

Slash Sheet:

16: 90°

15: 45°

Finish:

See Table-2  
(pg. 486)

Shell Size:  
See Table-A

Coupling:

S: Self-Lock

G: Self-Lock with  
grounding Lug

-: Non Self-Lock

**TABLE - A**

| MIL PART NUMBER DESIGNATOR | CONNECTOR SHELL SIZE/ CODE (REF.) | A DIA.(MAX) |       | D (MAX) |       | E (MAX) |       | F (MAX) |       | G (MAX) |       | CABLE ENTRY MAX |       |
|----------------------------|-----------------------------------|-------------|-------|---------|-------|---------|-------|---------|-------|---------|-------|-----------------|-------|
|                            |                                   | INCH        | MM    | INCH    | MM    | INCH    | MM    | INCH    | MM    | INCH    | MM    | INCH            | MM    |
| 9                          | 9 / A                             | 0.86        | 21.79 | 1.03    | 26.16 | 1.43    | 36.32 | 0.99    | 25.15 | 1.22    | 30.99 | 0.26            | 6.71  |
| 11                         | 11 / B                            | 0.98        | 24.99 | 1.03    | 26.16 | 1.43    | 36.32 | 0.99    | 25.15 | 1.29    | 32.77 | 0.39            | 9.96  |
| 13                         | 13 / C                            | 1.16        | 29.39 | 1.03    | 26.16 | 1.43    | 36.32 | 0.99    | 25.15 | 1.62    | 41.15 | 0.51            | 12.85 |
| 15                         | 15 / D                            | 1.28        | 32.49 | 1.09    | 27.69 | 1.93    | 49.02 | 0.99    | 25.15 | 1.66    | 42.16 | 0.63            | 16.03 |
| 17                         | 17 / E                            | 1.41        | 35.71 | 1.11    | 28.19 | 1.93    | 49.02 | 0.99    | 25.15 | 1.72    | 43.69 | 0.76            | 19.20 |
| 19                         | 19 / F                            | 1.52        | 38.51 | 1.21    | 30.73 | 2.03    | 51.56 | 0.99    | 25.15 | 1.72    | 43.69 | 0.85            | 21.46 |
| 21                         | 21 / G                            | 1.64        | 41.71 | 1.26    | 32.00 | 2.09    | 53.09 | 0.99    | 25.15 | 1.79    | 45.47 | 0.97            | 24.64 |
| 23                         | 23 / H                            | 1.77        | 44.91 | 1.30    | 33.02 | 2.09    | 53.09 | 0.99    | 25.15 | 1.85    | 46.99 | 1.10            | 27.81 |
| 25                         | 25 / J                            | 1.89        | 47.98 | 1.34    | 34.04 | 2.24    | 56.90 | 0.99    | 25.15 | 1.91    | 48.51 | 1.22            | 30.99 |

Note: For more cable entry and length options, email: [sales@backshellworld.com](mailto:sales@backshellworld.com)  
All dimensions for reference only.

# Strain Relief Clamp

## Straight, 90°, Self-Lock/Non Self-Lock

### For Connector Family L

**38999 Series III, IV**

Connector Family "L", includes MIL-DTL-38999 Series III and Series IV



**MIL Part Number**

**M85049 / 38 - 11 W**

MIL Series: M85049 / 38  
 Slash Sheet: 38: Straight, 39: 90°  
 Finish: See Table-2 (pg. 486)  
 Shell Size: See Table-A  
 Coupling: S: Self-Lock, -: Non Self-Lock

**TABLE - A**

| MIL PART NUMBER DESIGNATOR | CONNECTOR SHELL SIZE/ CODE (REF.) | A DIA.(MAX) |       | B DIA.(MAX) |       | C (MAX) |       | D (MAX) |       | E (MAX) |       | F (MAX) |       |
|----------------------------|-----------------------------------|-------------|-------|-------------|-------|---------|-------|---------|-------|---------|-------|---------|-------|
|                            |                                   | INCH        | MM    | INCH        | MM    | INCH    | MM    | INCH    | MM    | INCH    | MM    | INCH    | MM    |
| 09                         | 9 / A                             | 0.75        | 19.05 | 0.86        | 21.82 | 0.91    | 23.11 | 0.85    | 21.59 | 1.10    | 27.94 | 1.21    | 30.73 |
| 11                         | 11 / B                            | 0.85        | 21.59 | 0.98        | 24.99 | 0.91    | 23.11 | 0.90    | 22.86 | 1.10    | 27.94 | 1.21    | 30.73 |
| 13                         | 13 / C                            | 1.00        | 25.40 | 1.16        | 29.36 | 1.01    | 25.65 | 1.10    | 27.94 | 1.20    | 30.48 | 1.31    | 33.27 |
| 15                         | 15 / D                            | 1.10        | 27.94 | 1.28        | 32.54 | 1.06    | 26.92 | 1.15    | 29.21 | 1.25    | 31.75 | 1.35    | 34.29 |
| 17                         | 17 / E                            | 1.25        | 31.75 | 1.41        | 35.71 | 1.16    | 29.46 | 1.30    | 33.02 | 1.36    | 34.44 | 1.45    | 36.83 |
| 19                         | 19 / F                            | 1.40        | 35.56 | 1.52        | 38.51 | 1.41    | 35.81 | 1.50    | 38.10 | 1.60    | 40.64 | 1.71    | 43.43 |
| 21                         | 21 / G                            | 1.50        | 38.10 | 1.64        | 41.68 | 1.51    | 38.35 | 1.60    | 40.64 | 1.70    | 43.21 | 1.81    | 45.97 |
| 23                         | 23 / H                            | 1.65        | 41.91 | 1.77        | 44.86 | 1.66    | 42.16 | 1.70    | 43.18 | 1.85    | 46.99 | 1.95    | 49.53 |
| 25                         | 25 / J                            | 1.75        | 44.45 | 1.89        | 48.03 | 1.76    | 44.70 | 1.80    | 45.72 | 1.95    | 49.56 | 2.05    | 52.07 |

**TABLE - A, cont.**

| MIL PART NUMBER DESIGNATOR | CONNECTOR SHELL SIZE/ CODE (REF.) | J (MAX) |       | K (MAX) |       | CABLE ENTRY |       |      |       |
|----------------------------|-----------------------------------|---------|-------|---------|-------|-------------|-------|------|-------|
|                            |                                   | INCH    | MM    | INCH    | MM    | MIN         |       | MAX  |       |
|                            |                                   |         |       |         |       | INCH        | MM    | INCH | MM    |
| 9                          | 9 / A                             | 1.31    | 33.27 | 1.00    | 25.40 | 0.10        | 2.49  | 0.23 | 5.94  |
| 11                         | 11 / B                            | 1.31    | 33.27 | 1.10    | 27.94 | 0.15        | 3.89  | 0.23 | 5.94  |
| 13                         | 13 / C                            | 1.51    | 38.35 | 1.10    | 27.94 | 0.19        | 4.83  | 0.33 | 8.33  |
| 15                         | 15 / D                            | 1.55    | 39.37 | 1.25    | 31.75 | 0.26        | 6.60  | 0.46 | 11.61 |
| 17                         | 17 / E                            | 1.71    | 43.43 | 1.30    | 33.02 | 0.28        | 7.19  | 0.61 | 15.60 |
| 19                         | 19 / F                            | 1.81    | 45.97 | 1.35    | 34.29 | 0.33        | 8.26  | 0.63 | 16.10 |
| 21                         | 21 / G                            | 1.95    | 49.53 | 1.60    | 40.64 | 0.34        | 8.71  | 0.70 | 17.73 |
| 23                         | 23 / H                            | 2.10    | 53.34 | 1.75    | 44.45 | 0.38        | 9.68  | 0.82 | 20.90 |
| 25                         | 25 / J                            | 2.21    | 56.13 | 1.85    | 46.99 | 0.42        | 10.62 | 0.85 | 21.67 |

Note: For more cable entry and length options, email: [sales@backshellworld.com](mailto:sales@backshellworld.com)  
 All dimensions for reference only.

38999

- III
- HD
- Dualok
- II
- I
- SJT
- Accessories
- Aquacon
- Herm/Seal
- PCB

- Fiber Optics
- High Speed
- Contacts

- EMI Filter
- Transient

- Matrix 2
- 26482

- Matrix Pyle
- III
- 83723

- Pyle
- 26500

- Crimp Rear Release Matrix
- 5015

- Class 1
- 22992

- Backshells

- Options
- Others

### For Connector Family L

**38999 Series III, IV**

Connector Family "L", includes MIL-DTL-38999 Series III and Series IV



#### MIL Part Number

**M85049 / 124 - 11 W**



| MIL PART NUMBER DESIGNATOR | CONNECTOR SHELL SIZE/ CODE (REF.) | A DIA.(MAX) |       | B LENGTH  |             | C (MAX) |       | D (MAX) |       | E (CLOSED) |       |
|----------------------------|-----------------------------------|-------------|-------|-----------|-------------|---------|-------|---------|-------|------------|-------|
|                            |                                   | INCH        | MM    | INCH      | MM          | INCH    | MM    | INCH    | MM    | ±.031      | ±.787 |
| 09                         | 9 / A                             | 0.86        | 21.79 | 0.77/0.51 | 19.56/12.95 | 1.01    | 25.65 | 0.88    | 22.35 | 0.22       | 5.56  |
| 11                         | 11 / B                            | 0.98        | 24.99 | 0.89/0.64 | 22.61/16.26 | 1.13    | 28.70 | 0.94    | 23.88 | 0.26       | 6.71  |
| 13                         | 13 / C                            | 1.16        | 29.39 | 1.01/0.76 | 25.65/19.30 | 1.25    | 31.75 | 1.12    | 28.45 | 0.34       | 8.74  |
| 15                         | 15 / D                            | 1.28        | 32.49 | 1.01/0.76 | 25.65/19.30 | 1.25    | 31.75 | 1.19    | 30.23 | 0.46       | 11.68 |
| 17                         | 17 / E                            | 1.41        | 35.71 | 1.13/0.88 | 28.70/22.35 | 1.37    | 34.80 | 1.44    | 36.58 | 0.55       | 13.84 |
| 19                         | 19 / F                            | 1.52        | 38.51 | 1.38/1.13 | 35.05/28.70 | 1.62    | 41.15 | 1.56    | 39.62 | 0.62       | 15.62 |
| 21                         | 21 / G                            | 1.64        | 41.71 | 1.51/1.25 | 38.35/31.75 | 1.75    | 44.45 | 1.69    | 42.93 | 0.69       | 17.53 |
| 23                         | 23 / H                            | 1.77        | 44.91 | 1.62/1.38 | 41.15/35.05 | 1.87    | 47.50 | 1.75    | 44.45 | 0.78       | 19.81 |
| 25                         | 25 / J                            | 1.87        | 47.47 | 1.76/1.51 | 44.70/38.35 | 2.00    | 50.80 | 1.88    | 47.75 | 0.85       | 21.59 |

Note: For more cable entry and length options, email: [sales@backshellworld.com](mailto:sales@backshellworld.com)  
All dimensions for reference only.

38999

III

HD

Dualok

II

I

SJT

Accessories

Aquacon

Herm/Seal

PCB

High Speed  
Fiber Optics  
Contacts

EMI Filter  
Transient

26482  
Matrix 2

83723  
III  
Matrix | Pyle

26500  
Pyle

5015  
Crimp Rear Release  
Matrix

22992  
Class L

Back-Shells

Options  
Others

## Strain Relief Clamp 90°, Self-Lock/Non Self-Lock

### For Connector Family L

**38999 Series III, IV**

Connector Family "L", includes MIL-DTL-38999 Series III and Series IV



| MIL PART NUMBER DESIGNATOR | CONNECTOR SHELL SIZE/ CODE (REF.) | A DIA.(MAX) |       | B (MAX) |       | C (MAX) |       | D (MAX) |       | E (CLOSED) |       |
|----------------------------|-----------------------------------|-------------|-------|---------|-------|---------|-------|---------|-------|------------|-------|
|                            |                                   | INCH        | MM    | INCH    | MM    | INCH    | MM    | INCH    | MM    | ±.031      | ±.787 |
|                            |                                   |             |       |         |       |         |       |         |       | INCH       | MM    |
| 09                         | 9 / A                             | 0.86        | 21.79 | 0.86    | 21.84 | 1.14    | 28.96 | 0.81    | 20.57 | 0.22       | 5.56  |
| 11                         | 11 / B                            | 0.98        | 24.99 | 0.94    | 23.88 | 1.22    | 30.99 | 0.87    | 22.10 | 0.26       | 6.71  |
| 13                         | 13 / C                            | 1.16        | 29.39 | 1.14    | 28.96 | 1.42    | 36.07 | 0.93    | 23.62 | 0.34       | 8.74  |
| 15                         | 15 / D                            | 1.28        | 32.49 | 1.20    | 30.48 | 1.48    | 37.59 | 0.99    | 25.15 | 0.46       | 11.68 |
| 17                         | 17 / E                            | 1.41        | 35.71 | 1.34    | 34.04 | 1.62    | 41.15 | 1.09    | 27.69 | 0.55       | 13.84 |
| 19                         | 19 / F                            | 1.52        | 38.51 | 1.46    | 37.08 | 1.74    | 44.20 | 1.23    | 31.24 | 0.62       | 15.62 |
| 21                         | 21 / G                            | 1.64        | 41.71 | 1.58    | 40.13 | 1.86    | 47.24 | 1.30    | 33.02 | 0.70       | 17.73 |
| 23                         | 23 / H                            | 1.77        | 44.91 | 1.71    | 43.43 | 1.99    | 50.55 | 1.36    | 34.54 | 0.78       | 19.81 |
| 25                         | 25 / J                            | 1.87        | 47.47 | 1.83    | 46.48 | 2.11    | 53.59 | 1.42    | 36.07 | 0.85       | 21.59 |

Note: For more cable entry and length options, email: [sales@backshellworld.com](mailto:sales@backshellworld.com)  
 All dimensions for reference only.

38999

- III
- HD
- Dualok
- II
- I
- SJT
- Accessories
- Aquacon
- Herm/Seal
- PCB

- Fiber Optics
- High Speed
- Contacts

- EMI Filter
- Transient

- Matrix 2
- 26482

- Matrix | Pyle
- III
- 83723

- Pyle
- 26500

- Matrix
- 5015
- Crimp Rear Release

- Class 1
- 22992

- Backshells

- Options
- Others

### For Connector Family L

**38999 Series III, IV**

Connector Family "L", includes MIL-DTL-38999 Series III and Series IV



#### MIL Part Number



| MIL PART NUMBER DESIGNATOR | CONNECTOR SHELL SIZE/ CODE (REF.) | A DIA.(MAX) |       | B (MAX) |       | C (MAX) |       | E (MIN) |       | L (MAX) |       | M     |       |
|----------------------------|-----------------------------------|-------------|-------|---------|-------|---------|-------|---------|-------|---------|-------|-------|-------|
|                            |                                   | INCH        | MM    | INCH    | MM    | ±0.031  | ±0.78 | INCH    | MM    | INCH    | MM    | ±.003 | ±.076 |
|                            |                                   |             |       |         |       | INCH    | MM    |         |       |         |       | INCH  | MM    |
| 08                         | 9 / A                             | 0.858       | 21.79 | 0.980   | 24.89 | 0.219   | 5.56  | 0.229   | 5.82  | 0.840   | 21.34 | 0.375 | 9.53  |
| 10                         | 11 / B                            | 0.984       | 24.99 | 1.05    | 26.67 | 0.264   | 6.71  | 0.274   | 6.96  | 0.960   | 24.38 | 0.375 | 9.53  |
| 12                         | 13 / C                            | 1.157       | 29.39 | 1.20    | 30.48 | 0.344   | 8.74  | 0.354   | 8.99  | 1.100   | 27.94 | 0.406 | 10.31 |
| 14                         | 15 / D                            | 1.280       | 32.51 | 1.30    | 33.02 | 0.460   | 11.68 | 0.470   | 11.94 | 1.100   | 27.94 | 0.406 | 10.31 |
| 16                         | 17 / E                            | 1.406       | 35.71 | 1.42    | 36.07 | 0.545   | 13.84 | 0.555   | 14.10 | 1.230   | 31.24 | 0.406 | 10.31 |
| 18                         | 19 / F                            | 1.516       | 38.51 | 1.52    | 38.61 | 0.615   | 15.62 | 0.625   | 15.88 | 1.410   | 35.81 | 0.406 | 10.31 |
| 20                         | 21 / G                            | 1.642       | 41.71 | 1.64    | 41.66 | 0.698   | 17.73 | 0.708   | 17.98 | 1.510   | 38.35 | 0.406 | 10.31 |
| 22                         | 23 / H                            | 1.768       | 44.91 | 1.77    | 44.96 | 0.780   | 19.81 | 0.790   | 20.07 | 1.660   | 42.16 | 0.406 | 10.31 |
| 24                         | 25 / J                            | 1.890       | 48.01 | 1.89    | 48.01 | 0.850   | 21.59 | 0.860   | 21.84 | 1.760   | 44.70 | 0.406 | 10.31 |

Note: For more cable entry and length options, email: [sales@backshellworld.com](mailto:sales@backshellworld.com)  
 All dimensions for reference only.

- 38999
- III
- HD
- Dualok
- II
- I
- SJT
- Accessories
- Aquacon
- Herm/Seal
- PCB
- High Speed
- Fiber Optics
- Contacts
- EMI Filter Transient
- 26482
- Matrix 2
- 83723
- III
- Matrix | Pyle
- 26500
- Pyle
- 5015
- Crimp Rear Release
- Matrix
- 22992
- Class L
- Back-Shells
- Options Others

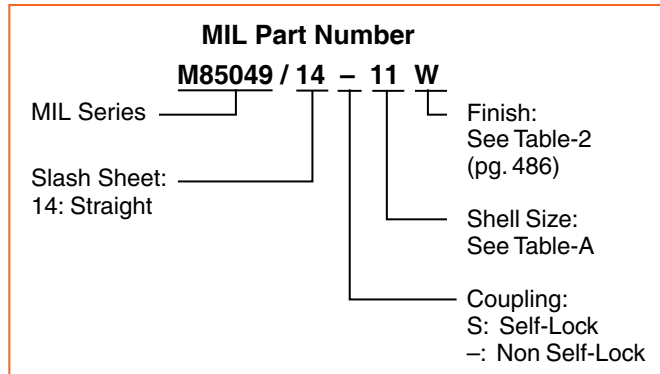


## Grommet Nut Straight, Self-Lock/Non Self-Lock

### For Connector Family L

**38999 Series III, IV**

Connector Family "L", includes MIL-DTL-38999 Series III and Series IV



Note: \* Slot shown in figure is optional for Non Self-Lock

**TABLE - A**

| MIL PART NUMBER DESIGNATOR | CONNECTOR SHELL SIZE/ CODE (REF.) | A DIA.(MAX) |       | B (MAX) |       |
|----------------------------|-----------------------------------|-------------|-------|---------|-------|
|                            |                                   | INCH        | MM    | INCH    | MM    |
| 9                          | 09 / A                            | 0.86        | 21.79 | 0.26    | 6.71  |
| 11                         | 11 / B                            | 0.98        | 24.99 | 0.39    | 9.91  |
| 13                         | 13 / C                            | 1.16        | 29.39 | 0.50    | 12.80 |
| 15                         | 15 / D                            | 1.28        | 32.49 | 0.63    | 16.00 |
| 17                         | 17 / E                            | 1.41        | 35.71 | 0.76    | 19.20 |
| 19                         | 19 / F                            | 1.52        | 38.51 | 0.84    | 21.41 |
| 21                         | 21 / G                            | 1.64        | 41.71 | 0.97    | 24.64 |
| 23                         | 23 / H                            | 1.77        | 44.91 | 1.09    | 27.71 |
| 25                         | 25 / J                            | 1.87        | 47.98 | 1.22    | 30.91 |

All dimensions for reference only.

38999

III

HD

Dualok

II

I

SJT

Accessories

Aquacon

Herm/Seal

PCB

Fiber

Optics

High Speed

Contacts

EMI Filter

Transient

Matrix 2

26482

Matrix 1

III

83723

Pyle

26500

5015

Crimp Rear Release Matrix

Class 1

22992

Back-

Shells

Options

Others

### For Connector Family K

**38999 Series II**

**38999 Series I**

Connector Family "K", includes MIL-DTL-38999 Series II and Series I

38999

- III
- HD
- Dualok
- II
- I
- SJT
- Accessories
- Aquacon
- Herm/Seal
- PCB

High Speed  
Fiber Optics  
Contacts

EMI Filter  
Transient

26482  
Matrix 2

83723  
III  
Matrix | Pyle

26500  
Pyle

5015  
Crimp Rear Release  
Matrix

22992  
Class L

Back-  
Shells

Options  
Others



**MIL Part Number**  
**M85049 / 29 10 W 06 A**

MIL Series: M85049 / 29  
 Slash Sheet: 29: Straight, Direct Coupling  
 Shell Size: 10  
 Clamp Size: W  
 Finish: 06  
 Length: A  
 Length: See Table-A (Omit for "STD")  
 Clamp Size: See Table-A  
 Finish: See Table-2 (pg. 486)

| MIL PART NUMBER DESIGNATOR |            |        | CONNECTOR SHELL SIZE SE-II/I | CABLE RANGE |       |      |       | L (MAX) |       | Y (MAX) |       |
|----------------------------|------------|--------|------------------------------|-------------|-------|------|-------|---------|-------|---------|-------|
| ACCESSORY SHELL SIZE       | CLAMP SIZE | LENGTH |                              | MIN         |       | MAX  |       | INCH    | MM    | INCH    | MM    |
|                            |            |        |                              | INCH        | MM    | INCH | MM    |         |       |         |       |
| 08                         | 01         | STD.   | 8 / 9                        | 0.06        | 1.57  | 0.13 | 3.18  | 1.03    | 26.16 | 0.78    | 19.81 |
|                            |            | A      |                              |             |       |      |       | 2.03    | 51.56 |         |       |
|                            | 02         | STD.   |                              | 0.13        | 3.18  | 0.25 | 6.35  | 1.03    | 26.16 | 0.97    | 24.64 |
|                            |            | A      |                              |             |       |      |       | 2.03    | 51.56 |         |       |
| 10                         | 01         | STD.   | 10 / 11                      | 0.06        | 1.57  | 0.13 | 3.18  | 1.03    | 26.16 | 0.78    | 19.81 |
|                            |            | A      |                              |             |       |      |       | 2.03    | 51.56 |         |       |
|                            | 02         | STD.   |                              | 0.13        | 3.18  | 0.25 | 6.35  | 1.03    | 26.16 | 0.97    | 24.64 |
|                            |            | A      |                              |             |       |      |       | 2.03    | 51.56 |         |       |
|                            | 03         | STD.   |                              | 0.25        | 6.35  | 0.38 | 9.53  | 1.03    | 26.16 | 1.06    | 26.92 |
|                            |            | A      |                              |             |       |      |       | 2.03    | 51.56 |         |       |
| 12                         | 02         | STD.   | 12 / 13                      | 0.13        | 3.18  | 0.25 | 6.35  | 1.03    | 26.16 | 0.97    | 24.64 |
|                            |            | A      |                              |             |       |      |       | 2.03    | 51.56 |         |       |
|                            | 03         | STD.   |                              | 0.25        | 6.35  | 0.38 | 9.53  | 1.03    | 26.16 | 1.06    | 26.92 |
|                            |            | A      |                              |             |       |      |       | 2.03    | 51.56 |         |       |
|                            | 04         | STD.   |                              | 0.31        | 7.92  | 0.50 | 12.70 | 1.03    | 26.16 | 1.16    | 29.46 |
|                            |            | A      |                              |             |       |      |       | 2.03    | 51.56 |         |       |
| 14                         | 02         | STD.   | 14 / 15                      | 0.13        | 3.18  | 0.25 | 6.35  | 1.03    | 26.16 | 0.97    | 24.64 |
|                            |            | A      |                              |             |       |      |       | 2.03    | 51.56 |         |       |
|                            |            | B      |                              |             |       |      |       | 3.03    | 76.96 |         |       |
|                            | 03         | STD.   |                              | 0.25        | 6.35  | 0.38 | 9.53  | 1.03    | 26.16 | 1.06    | 26.92 |
|                            |            | A      |                              |             |       |      |       | 2.03    | 51.56 |         |       |
|                            |            | B      |                              |             |       |      |       | 3.03    | 76.96 |         |       |
|                            | 04         | STD.   |                              | 0.31        | 7.92  | 0.50 | 12.70 | 1.03    | 26.16 | 1.16    | 29.46 |
|                            |            | A      |                              |             |       |      |       | 2.03    | 51.56 |         |       |
|                            |            | B      |                              |             |       |      |       | 3.03    | 76.96 |         |       |
|                            | 05         | STD.   |                              | 0.44        | 11.10 | 0.63 | 15.88 | 1.03    | 26.16 | 1.25    | 31.75 |
|                            |            | A      |                              |             |       |      |       | 2.03    | 51.56 |         |       |
|                            |            | B      |                              |             |       |      |       | 3.03    | 76.96 |         |       |

Note: For more cable entry and length options, email: sales@backshellworld.com  
 All dimensions for reference only.

TABLE CONTINUES ON NEXT PAGE

### For Connector Family K

**38999 Series II**

**38999 Series I**

Connector Family "K", includes MIL-DTL-38999 Series II and Series I

**TABLE A**

| MIL PART NUMBER DESIGNATOR |            |        | CONNECTOR SHELL SIZE SE - II/I | CABLE RANGE |       |      |       | L (MAX) |        | Y (MAX) |       |
|----------------------------|------------|--------|--------------------------------|-------------|-------|------|-------|---------|--------|---------|-------|
| ACCESSORY SHELL SIZE       | CLAMP SIZE | LENGTH |                                | MIN         |       | MAX  |       | INCH    | MM     | INCH    | MM    |
|                            |            |        |                                | INCH        | MM    | INCH | MM    |         |        |         |       |
| 16                         | 02         | STD.   | 16 / 17                        | 0.13        | 3.18  | 0.25 | 6.35  | 1.03    | 26.16  | 0.97    | 24.64 |
|                            |            | A      |                                |             |       |      |       | 2.03    | 51.56  |         |       |
|                            |            | B      |                                |             |       |      |       | 3.03    | 76.96  |         |       |
|                            | 03         | STD.   |                                | 0.25        | 6.35  | 0.38 | 9.53  | 1.03    | 26.16  | 1.06    | 26.92 |
|                            |            | A      |                                |             |       |      |       | 2.03    | 51.56  |         |       |
|                            |            | B      |                                |             |       |      |       | 3.03    | 76.96  |         |       |
|                            | 04         | STD.   |                                | 0.31        | 7.92  | 0.50 | 12.70 | 1.03    | 26.16  | 1.16    | 29.46 |
|                            |            | A      |                                |             |       |      |       | 2.03    | 51.56  |         |       |
|                            |            | B      |                                |             |       |      |       | 3.03    | 76.96  |         |       |
|                            | 05         | STD.   |                                | 0.44        | 11.10 | 0.63 | 15.88 | 1.03    | 26.16  | 1.25    | 31.75 |
|                            |            | A      |                                |             |       |      |       | 2.03    | 51.56  |         |       |
|                            |            | B      |                                |             |       |      |       | 3.03    | 76.96  |         |       |
| 06                         | STD.       | 0.56   | 14.27                          | 0.75        | 19.05 | 1.03 | 26.16 | 1.38    | 35.05  |         |       |
|                            | A          |        |                                |             |       | 2.03 | 51.56 |         |        |         |       |
|                            | B          |        |                                |             |       | 3.03 | 76.96 |         |        |         |       |
| 18                         | 03         | STD.   | 18 / 19                        | 0.25        | 6.35  | 0.38 | 9.53  | 1.03    | 26.16  | 1.06    | 26.92 |
|                            |            | A      |                                |             |       |      |       | 2.03    | 51.56  |         |       |
|                            |            | B      |                                |             |       |      |       | 3.03    | 76.96  |         |       |
|                            | 04         | STD.   |                                | 0.31        | 7.92  | 0.50 | 12.70 | 1.03    | 26.16  | 1.16    | 29.46 |
|                            |            | A      |                                |             |       |      |       | 2.03    | 51.56  |         |       |
|                            |            | B      |                                |             |       |      |       | 3.03    | 76.96  |         |       |
|                            | 05         | STD.   |                                | 0.44        | 11.10 | 0.63 | 15.88 | 1.03    | 26.16  | 1.25    | 31.75 |
|                            |            | A      |                                |             |       |      |       | 2.03    | 51.56  |         |       |
|                            |            | B      |                                |             |       |      |       | 3.03    | 76.96  |         |       |
|                            | 06         | STD.   |                                | 0.56        | 14.27 | 0.75 | 19.05 | 1.03    | 26.16  | 1.38    | 35.05 |
|                            |            | A      |                                |             |       |      |       | 2.03    | 51.56  |         |       |
|                            |            | B      |                                |             |       |      |       | 3.03    | 76.96  |         |       |
| 07                         | STD.       | 0.69   | 17.45                          | 0.88        | 22.23 | 1.03 | 26.16 | 1.50    | 38.10  |         |       |
|                            | A          |        |                                |             |       | 2.03 | 51.56 |         |        |         |       |
|                            | B          |        |                                |             |       | 3.03 | 76.96 |         |        |         |       |
| 20                         | 03         | STD.   | 20 / 21                        | 0.25        | 6.35  | 0.38 | 9.53  | 1.03    | 26.16  | 1.06    | 26.92 |
|                            |            | A      |                                |             |       |      |       | 2.03    | 51.56  |         |       |
|                            |            | B      |                                |             |       |      |       | 3.03    | 76.96  |         |       |
|                            |            | C      |                                |             |       |      |       | 4.03    | 102.36 |         |       |
|                            | 04         | STD.   |                                | 0.31        | 7.92  | 0.50 | 12.70 | 1.03    | 26.16  | 1.16    | 29.46 |
|                            |            | A      |                                |             |       |      |       | 2.03    | 51.56  |         |       |
|                            |            | B      |                                |             |       |      |       | 3.03    | 76.96  |         |       |
|                            |            | C      |                                |             |       |      |       | 4.03    | 102.36 |         |       |
|                            | 05         | STD.   |                                | 0.44        | 11.10 | 0.63 | 15.88 | 1.03    | 26.16  | 1.25    | 31.75 |
|                            |            | A      |                                |             |       |      |       | 2.03    | 51.56  |         |       |
|                            |            | B      |                                |             |       |      |       | 3.03    | 76.96  |         |       |
|                            |            | C      |                                |             |       |      |       | 4.03    | 102.36 |         |       |
|                            | 06         | STD.   |                                | 0.56        | 14.27 | 0.75 | 19.05 | 1.03    | 26.16  | 1.38    | 35.05 |
|                            |            | A      |                                |             |       |      |       | 2.03    | 51.56  |         |       |
|                            |            | B      |                                |             |       |      |       | 3.03    | 76.96  |         |       |
|                            |            | C      |                                |             |       |      |       | 4.03    | 102.36 |         |       |
|                            | 07         | STD.   |                                | 0.69        | 17.45 | 0.88 | 22.23 | 1.03    | 26.16  | 1.50    | 38.10 |
|                            |            | A      |                                |             |       |      |       | 2.03    | 51.56  |         |       |
|                            |            | B      |                                |             |       |      |       | 3.03    | 76.96  |         |       |
|                            |            | C      |                                |             |       |      |       | 4.03    | 102.36 |         |       |
|                            | 08         | STD.   |                                | 0.81        | 20.62 | 1.00 | 25.40 | 1.03    | 26.16  | 1.63    | 41.40 |
|                            |            | A      |                                |             |       |      |       | 2.03    | 51.56  |         |       |
|                            |            | B      |                                |             |       |      |       | 3.03    | 76.96  |         |       |
|                            |            | C      |                                |             |       |      |       | 4.03    | 102.36 |         |       |

Note: For more cable entry and length options, email: [sales@backshellworld.com](mailto:sales@backshellworld.com)  
All dimensions for reference only.

TABLE CONTINUES ON NEXT PAGE

38999

- III
- HD
- Dualok
- II
- I
- SJT
- Accessories
- Aquacon
- Herm/Seal
- PCB

- Fiber Optics
- High Speed
- Contacts

- EMI Filter
- Transient

- Matrix 2
- 26482

- Matrix Pyle
- III
- 83723

- Pyle
- 26500

- Crimp Rear Release Matrix
- 5015

- Class I
- 22992

- Backshells

- Options
- Others

### For Connector Family K

38999 Series II

38999 Series I

Connector Family "K", includes MIL-DTL-38999 Series II and Series I

| TABLE A                    |            |        |                              |             |       |      |        |         |        |         |       |
|----------------------------|------------|--------|------------------------------|-------------|-------|------|--------|---------|--------|---------|-------|
| MIL PART NUMBER DESIGNATOR |            |        | CONNECTOR SHELL SIZE SE-II/I | CABLE RANGE |       |      |        | L (MAX) |        | Y (MAX) |       |
| ACCESSORY SHELL SIZE       | CLAMP SIZE | LENGTH |                              | MIN         |       | MAX  |        | INCH    | MM     | INCH    | MM    |
|                            |            |        |                              | INCH        | MM    | INCH | MM     |         |        |         |       |
| 22                         | 03         | STD.   | 22 /23                       | 0.25        | 6.35  | 0.38 | 9.53   | 1.03    | 26.16  | 1.06    | 26.92 |
|                            |            | A      |                              |             |       |      |        | 2.03    | 51.56  |         |       |
|                            |            | B      |                              |             |       |      |        | 3.03    | 76.96  |         |       |
|                            |            | C      |                              |             |       |      |        | 4.03    | 102.36 |         |       |
|                            | 04         | STD.   |                              | 0.31        | 7.92  | 0.50 | 12.70  | 1.03    | 26.16  | 1.16    | 29.46 |
|                            |            | A      |                              |             |       |      |        | 2.03    | 51.56  |         |       |
|                            |            | B      |                              |             |       |      |        | 3.03    | 76.96  |         |       |
|                            |            | C      |                              |             |       |      |        | 4.03    | 102.36 |         |       |
|                            | 05         | STD.   |                              | 0.44        | 11.10 | 0.63 | 15.88  | 1.03    | 26.16  | 1.25    | 31.75 |
|                            |            | A      |                              |             |       |      |        | 2.03    | 51.56  |         |       |
|                            |            | B      |                              |             |       |      |        | 3.03    | 76.96  |         |       |
|                            |            | C      |                              |             |       |      |        | 4.03    | 102.36 |         |       |
|                            | 06         | STD.   |                              | 0.56        | 14.27 | 0.75 | 19.05  | 1.03    | 26.16  | 1.38    | 35.05 |
|                            |            | A      |                              |             |       |      |        | 2.03    | 51.56  |         |       |
|                            |            | B      |                              |             |       |      |        | 3.03    | 76.96  |         |       |
|                            |            | C      |                              |             |       |      |        | 4.03    | 102.36 |         |       |
|                            | 07         | STD.   |                              | 0.69        | 17.45 | 0.88 | 22.23  | 1.03    | 26.16  | 1.50    | 38.10 |
|                            |            | A      |                              |             |       |      |        | 2.03    | 51.56  |         |       |
|                            |            | B      |                              |             |       |      |        | 3.03    | 76.96  |         |       |
|                            |            | C      |                              |             |       |      |        | 4.03    | 102.36 |         |       |
|                            | 08         | STD.   |                              | 0.81        | 20.62 | 1.00 | 25.40  | 1.03    | 26.16  | 1.63    | 41.40 |
|                            |            | A      |                              |             |       |      |        | 2.03    | 51.56  |         |       |
|                            |            | B      |                              |             |       |      |        | 3.03    | 76.96  |         |       |
|                            |            | C      |                              |             |       |      |        | 4.03    | 102.36 |         |       |
| 09                         | STD.       | 0.94   | 23.80                        | 1.13        | 28.58 | 1.03 | 26.16  | 1.75    | 44.45  |         |       |
|                            | A          |        |                              |             |       | 2.03 | 51.56  |         |        |         |       |
|                            | B          |        |                              |             |       | 3.03 | 76.96  |         |        |         |       |
|                            | C          |        |                              |             |       | 4.03 | 102.36 |         |        |         |       |
| 24                         | 04         | STD.   | 24 / 25                      | 0.31        | 7.92  | 0.50 | 12.70  | 1.03    | 26.16  | 1.16    | 29.46 |
|                            |            | A      |                              |             |       |      |        | 2.03    | 51.56  |         |       |
|                            |            | B      |                              |             |       |      |        | 3.03    | 76.96  |         |       |
|                            |            | C      |                              |             |       |      |        | 4.03    | 102.36 |         |       |
|                            | 05         | STD.   |                              | 0.44        | 11.10 | 0.63 | 15.88  | 1.03    | 26.16  | 1.25    | 31.75 |
|                            |            | A      |                              |             |       |      |        | 2.03    | 51.56  |         |       |
|                            |            | B      |                              |             |       |      |        | 3.03    | 76.96  |         |       |
|                            |            | C      |                              |             |       |      |        | 4.03    | 102.36 |         |       |
|                            | 06         | STD.   |                              | 0.56        | 14.27 | 0.75 | 19.05  | 1.03    | 26.16  | 1.38    | 35.05 |
|                            |            | A      |                              |             |       |      |        | 2.03    | 51.56  |         |       |
|                            |            | B      |                              |             |       |      |        | 3.03    | 76.96  |         |       |
|                            |            | C      |                              |             |       |      |        | 4.03    | 102.36 |         |       |
|                            | 07         | STD.   |                              | 0.69        | 17.45 | 0.88 | 22.23  | 1.03    | 26.16  | 1.50    | 38.10 |
|                            |            | A      |                              |             |       |      |        | 2.03    | 51.56  |         |       |
|                            |            | B      |                              |             |       |      |        | 3.03    | 76.96  |         |       |
|                            |            | C      |                              |             |       |      |        | 4.03    | 102.36 |         |       |
|                            | 08         | STD.   |                              | 0.81        | 20.62 | 1.00 | 25.40  | 1.03    | 26.16  | 1.63    | 41.40 |
|                            |            | A      |                              |             |       |      |        | 2.03    | 51.56  |         |       |
|                            |            | B      |                              |             |       |      |        | 3.03    | 76.96  |         |       |
|                            |            | C      |                              |             |       |      |        | 4.03    | 102.36 |         |       |
|                            | 09         | STD.   |                              | 0.94        | 23.80 | 1.13 | 28.58  | 1.03    | 26.16  | 1.75    | 44.45 |
|                            |            | A      |                              |             |       |      |        | 2.03    | 51.56  |         |       |
|                            |            | B      |                              |             |       |      |        | 3.03    | 76.96  |         |       |
|                            |            | C      |                              |             |       |      |        | 4.03    | 102.36 |         |       |
| 10                         | STD.       | 1.06   | 26.97                        | 1.25        | 31.75 | 1.03 | 26.16  | 1.88    | 47.75  |         |       |
|                            | A          |        |                              |             |       | 2.03 | 51.56  |         |        |         |       |
|                            | B          |        |                              |             |       | 3.03 | 76.96  |         |        |         |       |
|                            | C          |        |                              |             |       | 4.03 | 102.36 |         |        |         |       |

Note: For more cable entry and length options, email: sales@backshellworld.com  
All dimensions for reference only.

### For Connector Family K

**38999 Series II**

**38999 Series I**

Connector Family "K", includes MIL-DTL-38999 Series II and Series I

38999

- III
- HD
- Dualok
- II
- I
- SJT
- Accessories
- Aquacon
- Herm/Seal
- PCB

- Fiber Optics
- High Speed
- Contacts

- EMI Filter
- Transient

- Matrix 2
- 26482

- Matrix Pyle
- III
- 83723

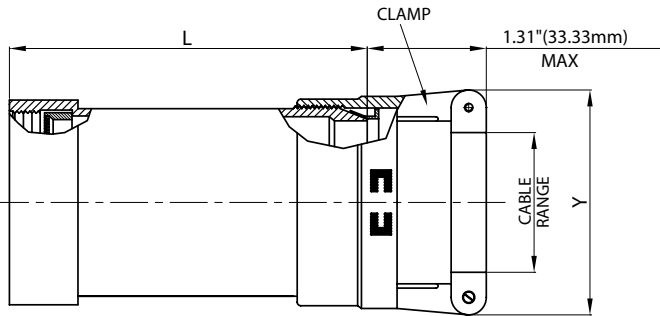
- Pyle
- 26500

- Crimp Rear Release Matrix
- 5015

- Class I
- 22992

- Backshells

- Options
- Others



**MIL Part Number**

**M85049 / 36 10 W 03 A**

MIL Series: M85049 / 36  
 Slash Sheet: 10  
 Shell Size: W  
 Cable Range: 03  
 Finish: A

Length: See Table-A (Omit for "STD")  
 Clamp Size: See Table-A  
 Finish: See Table-2 (pg. 486)

| MIL PART NUMBER DESIGNATOR |            |             | CONNECTOR SHELL SIZE SE - II / I | CABLE RANGE |       |      |       | L (MAX) |       | Y (MAX) |       |       |       |       |      |       |
|----------------------------|------------|-------------|----------------------------------|-------------|-------|------|-------|---------|-------|---------|-------|-------|-------|-------|------|-------|
| ACCESSORY SHELL SIZE       | CLAMP SIZE | LENGTH CODE |                                  | MIN         |       | MAX  |       | INCH    | MM    | INCH    | MM    |       |       |       |      |       |
|                            |            |             |                                  | INCH        | MM    | INCH | MM    |         |       |         |       |       |       |       |      |       |
| 08                         | 01         | STD.        | 8 / 9                            | 0.06        | 1.57  | 0.13 | 3.18  | 1.53    | 38.86 | 0.78    | 19.81 |       |       |       |      |       |
|                            |            | A           |                                  |             |       |      |       | 2.53    | 64.26 |         |       |       |       |       |      |       |
|                            | 02         | STD.        |                                  | 0.13        | 3.18  | 0.25 | 6.35  | 1.53    | 38.86 |         |       | 0.97  | 24.64 |       |      |       |
|                            |            | A           |                                  | 2.53        | 64.26 |      |       |         |       |         |       |       |       |       |      |       |
| 10                         | 01         | STD.        |                                  | 10 / 11     | 0.06  | 1.57 | 0.13  | 3.18    | 1.53  | 38.86   | 0.78  | 19.81 |       |       |      |       |
|                            |            | A           |                                  |             |       |      |       |         | 2.53  | 64.26   |       |       |       |       |      |       |
|                            | 02         | STD.        |                                  |             | 0.13  | 3.18 | 0.25  | 6.35    | 1.53  | 38.86   |       |       | 0.97  | 24.64 |      |       |
|                            |            | A           |                                  |             |       |      |       |         | 2.53  | 64.26   |       |       |       |       |      |       |
|                            | 03         | STD.        | 0.25                             |             | 6.35  | 0.38 | 9.53  | 1.53    | 38.86 | 1.06    |       |       | 26.92 |       |      |       |
|                            |            | A           |                                  |             |       |      |       | 2.53    | 64.26 |         |       |       |       |       |      |       |
| 12                         | 02         | STD.        | 12 / 13                          | 0.13        | 3.18  | 0.25 | 6.35  | 1.53    | 38.86 | 0.97    | 24.64 |       |       |       |      |       |
|                            |            | A           |                                  |             |       |      |       | 2.53    | 64.26 |         |       |       |       |       |      |       |
|                            | 03         | STD.        |                                  | 0.25        | 6.35  | 0.38 | 9.53  | 1.53    | 38.86 |         |       | 1.06  | 26.92 |       |      |       |
|                            |            | A           |                                  |             |       |      |       | 2.53    | 64.26 |         |       |       |       |       |      |       |
|                            | 04         | STD.        |                                  | 0.31        | 7.92  | 0.50 | 12.70 | 1.53    | 38.86 |         |       | 1.16  | 29.46 |       |      |       |
|                            |            | A           |                                  |             |       |      |       | 2.53    | 64.26 |         |       |       |       |       |      |       |
| 14                         | 02         | STD.        | 14 / 15                          | 0.13        | 3.18  | 0.25 | 6.35  | 1.53    | 38.86 | 0.97    | 24.64 |       |       |       |      |       |
|                            |            | A           |                                  |             |       |      |       | 2.53    | 64.26 |         |       |       |       |       |      |       |
|                            |            | B           |                                  |             |       |      |       | 3.53    | 89.66 |         |       |       |       |       |      |       |
|                            |            | STD.        |                                  |             |       |      |       | 1.53    | 38.86 |         |       |       |       |       |      |       |
|                            | 03         | A           |                                  | 0.25        | 6.35  | 0.38 | 9.53  | 2.53    | 64.26 |         |       | 1.06  | 26.92 |       |      |       |
|                            |            | B           |                                  |             |       |      |       | 3.53    | 89.66 |         |       |       |       |       |      |       |
|                            |            | STD.        |                                  |             |       |      |       | 1.53    | 38.86 |         |       |       |       |       |      |       |
|                            |            | A           |                                  |             |       |      |       | 2.53    | 64.26 |         |       |       |       |       |      |       |
|                            | 04         | A           |                                  | 0.31        | 7.92  | 0.50 | 12.70 | 2.53    | 64.26 |         |       | 1.16  | 29.46 |       |      |       |
|                            |            | B           |                                  |             |       |      |       | 3.53    | 89.66 |         |       |       |       |       |      |       |
|                            |            | STD.        |                                  |             |       |      |       | 1.53    | 38.86 |         |       |       |       |       |      |       |
|                            |            | A           |                                  |             |       |      |       | 2.53    | 64.26 |         |       |       |       |       |      |       |
| 05                         | STD.       | 0.44        | 11.10                            | 0.63        | 15.88 | 1.53 | 38.86 | 1.25    | 31.75 |         |       |       |       |       |      |       |
|                            |            |             |                                  |             |       | A    | 2.53  |         |       | 64.26   |       |       |       |       |      |       |
|                            | B          |             |                                  |             |       | 3.53 | 89.66 |         |       |         |       |       |       |       |      |       |
|                            | 02         |             |                                  |             |       | STD. | 0.13  |         |       | 3.18    | 0.25  | 6.35  | 1.53  | 38.86 | 0.97 | 24.64 |
|                            |            |             |                                  |             |       | A    |       |         |       |         |       |       | 2.53  | 64.26 |      |       |
|                            | 03         |             |                                  |             |       | STD. | 0.25  |         |       | 6.35    | 0.38  | 9.53  | 1.53  | 38.86 | 1.06 | 26.92 |
|                            |            |             |                                  |             |       |      |       |         |       |         |       |       | A     | 2.53  |      |       |
|                            |            |             |                                  |             |       | B    |       |         |       |         |       |       | 3.53  | 89.66 |      |       |
| STD.                       |            | 1.53        | 38.86                            |             |       |      |       |         |       |         |       |       |       |       |      |       |
| 04                         | A          | 0.31        | 7.92                             | 0.50        | 12.70 | 2.53 | 64.26 | 1.16    | 29.46 |         |       |       |       |       |      |       |
|                            |            |             |                                  |             |       | B    | 3.53  |         |       | 89.66   |       |       |       |       |      |       |
|                            | STD.       |             |                                  |             |       | 1.53 | 38.86 |         |       |         |       |       |       |       |      |       |
|                            |            |             |                                  |             |       | A    | 2.53  |         |       | 64.26   |       |       |       |       |      |       |
| 05                         | STD.       | 0.44        | 11.10                            | 0.63        | 15.88 | 1.53 | 38.86 | 1.25    | 31.75 |         |       |       |       |       |      |       |
|                            |            |             |                                  |             |       | A    | 2.53  |         |       | 64.26   |       |       |       |       |      |       |
|                            | B          |             |                                  |             |       | 3.53 | 89.66 |         |       |         |       |       |       |       |      |       |
|                            | 06         |             |                                  |             |       | STD. | 0.56  |         |       | 14.27   | 0.75  | 19.05 | 1.53  | 38.86 | 1.38 | 35.05 |
|                            |            |             |                                  |             |       | A    |       |         |       |         |       |       | 2.53  | 64.26 |      |       |
|                            | B          |             |                                  |             |       | 3.53 | 89.66 |         |       |         |       |       |       |       |      |       |

Note: For more cable entry and length options, email: sales@backshellworld.com  
 All dimensions for reference only.

TABLE CONTINUES ON NEXT PAGE

### For Connector Family K

**38999 Series II**

**38999 Series I**

Connector Family "K", includes MIL-DTL-38999 Series II and Series I

| TABLE-A, cont.             |            |             |                                  |             |       |      |        |         |        |         |       |
|----------------------------|------------|-------------|----------------------------------|-------------|-------|------|--------|---------|--------|---------|-------|
| MIL PART NUMBER DESIGNATOR |            |             | CONNECTOR SHELL SIZE SE - II / I | CABLE RANGE |       |      |        | L (MAX) |        | Y (MAX) |       |
| ACCESSORY SHELL SIZE       | CLAMP SIZE | LENGTH CODE |                                  | MIN         |       | MAX  |        | INCH    | MM     | INCH    | MM    |
|                            |            |             |                                  | INCH        | MM    | INCH | MM     |         |        |         |       |
| 18                         | 03         | STD.        | 18 / 19                          | 0.25        | 6.35  | 0.38 | 9.53   | 1.53    | 38.86  | 1.06    | 26.92 |
|                            |            | A           |                                  |             |       |      |        | 2.53    | 64.26  |         |       |
|                            |            | B           |                                  |             |       |      |        | 3.53    | 89.66  |         |       |
|                            | 04         | STD.        |                                  | 0.31        | 7.92  | 0.50 | 12.70  | 1.53    | 38.86  | 1.16    | 29.46 |
|                            |            | A           |                                  |             |       |      |        | 2.53    | 64.26  |         |       |
|                            |            | B           |                                  |             |       |      |        | 3.53    | 89.66  |         |       |
|                            | 05         | STD.        |                                  | 0.44        | 11.10 | 0.63 | 15.88  | 1.53    | 38.86  | 1.25    | 31.75 |
|                            |            | A           |                                  |             |       |      |        | 2.53    | 64.26  |         |       |
|                            |            | B           |                                  |             |       |      |        | 3.53    | 89.66  |         |       |
|                            | 06         | STD.        |                                  | 0.56        | 14.27 | 0.75 | 19.05  | 1.53    | 38.86  | 1.38    | 35.05 |
|                            |            | A           |                                  |             |       |      |        | 2.53    | 64.26  |         |       |
|                            |            | B           |                                  |             |       |      |        | 3.53    | 89.66  |         |       |
| 07                         | STD.       | 0.69        | 17.45                            | 0.88        | 22.23 | 1.53 | 38.86  | 1.50    | 38.10  |         |       |
|                            | A          |             |                                  |             |       | 2.53 | 64.26  |         |        |         |       |
|                            | B          |             |                                  |             |       | 3.53 | 89.66  |         |        |         |       |
| 20                         | 03         | STD.        | 20 / 21                          | 0.25        | 6.35  | 0.38 | 9.53   | 1.53    | 38.86  | 1.06    | 26.92 |
|                            |            | A           |                                  |             |       |      |        | 2.53    | 64.26  |         |       |
|                            |            | B           |                                  |             |       |      |        | 3.53    | 89.66  |         |       |
|                            |            | C           |                                  |             |       |      |        | 4.53    | 115.06 |         |       |
|                            | 04         | STD.        |                                  | 0.31        | 7.92  | 0.50 | 12.70  | 1.53    | 38.86  | 1.16    | 29.46 |
|                            |            | A           |                                  |             |       |      |        | 2.53    | 64.26  |         |       |
|                            |            | B           |                                  |             |       |      |        | 3.53    | 89.66  |         |       |
|                            |            | C           |                                  |             |       |      |        | 4.53    | 115.06 |         |       |
|                            | 05         | STD.        |                                  | 0.44        | 11.10 | 0.63 | 15.88  | 1.53    | 38.86  | 1.25    | 31.75 |
|                            |            | A           |                                  |             |       |      |        | 2.53    | 64.26  |         |       |
|                            |            | B           |                                  |             |       |      |        | 3.53    | 89.66  |         |       |
|                            |            | C           |                                  |             |       |      |        | 4.53    | 115.06 |         |       |
|                            | 06         | STD.        |                                  | 0.56        | 14.27 | 0.75 | 19.05  | 1.53    | 38.86  | 1.38    | 35.05 |
|                            |            | A           |                                  |             |       |      |        | 2.53    | 64.26  |         |       |
|                            |            | B           |                                  |             |       |      |        | 3.53    | 89.66  |         |       |
|                            |            | C           |                                  |             |       |      |        | 4.53    | 115.06 |         |       |
|                            | 07         | STD.        |                                  | 0.69        | 17.45 | 0.88 | 22.23  | 1.53    | 38.86  | 1.50    | 38.10 |
|                            |            | A           |                                  |             |       |      |        | 2.53    | 64.26  |         |       |
| B                          |            | 3.53        | 89.66                            |             |       |      |        |         |        |         |       |
| C                          |            | 4.53        | 115.06                           |             |       |      |        |         |        |         |       |
| 08                         | STD.       | 0.81        | 20.62                            | 1.00        | 25.40 | 1.53 | 38.86  | 1.63    | 41.40  |         |       |
|                            | A          |             |                                  |             |       | 2.53 | 64.26  |         |        |         |       |
|                            | B          |             |                                  |             |       | 3.53 | 89.66  |         |        |         |       |
|                            | C          |             |                                  |             |       | 4.53 | 115.06 |         |        |         |       |

Note: For more cable entry and length options, email: [sales@backshellworld.com](mailto:sales@backshellworld.com)  
All dimensions for reference only.

TABLE CONTINUES ON NEXT PAGE



### For Connector Family K

**38999 Series II**

**38999 Series I**

Connector Family "K", includes MIL-DTL-38999 Series II and Series I

TABLE-A, cont.

| MIL PART NUMBER DESIGNATOR | ACCESSORY SHELL SIZE | CLAMP SIZE | LENGTH CODE | CONNECTOR SHELL SIZE SE-II/I | CABLE RANGE |       |       |        | L (MAX) |        | Y (MAX) |       |
|----------------------------|----------------------|------------|-------------|------------------------------|-------------|-------|-------|--------|---------|--------|---------|-------|
|                            |                      |            |             |                              | MIN         |       | MAX   |        | INCH    | MM     | INCH    | MM    |
|                            |                      |            |             |                              | INCH        | MM    | INCH  | MM     |         |        |         |       |
| 22                         | 03                   | STD.       | A           | 22 / 23                      | 0.25        | 6.35  | 0.38  | 9.53   | 1.53    | 38.86  | 1.06    | 26.92 |
|                            |                      | A          |             |                              |             |       |       |        | 2.53    | 64.26  |         |       |
|                            |                      | B          |             |                              |             |       |       |        | 3.53    | 89.66  |         |       |
|                            |                      | C          |             |                              |             |       |       |        | 4.53    | 115.06 |         |       |
|                            | 04                   | STD.       | A           |                              | 0.31        | 7.92  | 0.50  | 12.70  | 1.53    | 38.86  | 1.16    | 29.46 |
|                            |                      | A          |             |                              |             |       |       |        | 2.53    | 64.26  |         |       |
|                            |                      | B          |             |                              |             |       |       |        | 3.53    | 89.66  |         |       |
|                            |                      | C          |             |                              |             |       |       |        | 4.53    | 115.06 |         |       |
|                            | 05                   | STD.       | A           |                              | 0.44        | 11.10 | 0.63  | 15.88  | 1.53    | 38.86  | 1.25    | 31.75 |
|                            |                      | A          |             |                              |             |       |       |        | 2.53    | 64.26  |         |       |
|                            |                      | B          |             |                              |             |       |       |        | 3.53    | 89.66  |         |       |
|                            |                      | C          |             |                              |             |       |       |        | 4.53    | 115.06 |         |       |
|                            | 06                   | STD.       | A           | 0.56                         | 14.27       | 0.75  | 19.05 | 1.53   | 38.86   | 1.38   | 35.05   |       |
|                            |                      | A          |             |                              |             |       |       | 2.53   | 64.26   |        |         |       |
|                            |                      | B          |             |                              |             |       |       | 3.53   | 89.66   |        |         |       |
|                            |                      | C          |             |                              |             |       |       | 4.53   | 115.06  |        |         |       |
|                            | 07                   | STD.       | A           | 0.69                         | 17.45       | 0.88  | 22.23 | 1.53   | 38.86   | 1.50   | 38.10   |       |
|                            |                      | A          |             |                              |             |       |       | 2.53   | 64.26   |        |         |       |
|                            |                      | B          |             |                              |             |       |       | 3.53   | 89.66   |        |         |       |
|                            |                      | C          |             |                              |             |       |       | 4.53   | 115.06  |        |         |       |
|                            | 08                   | STD.       | A           | 0.81                         | 20.62       | 1.00  | 25.40 | 1.53   | 38.86   | 1.63   | 41.40   |       |
|                            |                      | A          |             |                              |             |       |       | 2.53   | 64.26   |        |         |       |
|                            |                      | B          |             |                              |             |       |       | 3.53   | 89.66   |        |         |       |
|                            |                      | C          |             |                              |             |       |       | 4.53   | 115.06  |        |         |       |
| 09                         | STD.                 | A          | 0.94        | 23.80                        | 1.13        | 28.58 | 1.53  | 38.86  | 1.75    | 44.45  |         |       |
|                            | A                    |            |             |                              |             |       | 2.53  | 64.26  |         |        |         |       |
|                            | B                    |            |             |                              |             |       | 3.53  | 89.66  |         |        |         |       |
|                            | C                    |            |             |                              |             |       | 4.53  | 115.06 |         |        |         |       |
| 24                         | 04                   | STD.       | A           | 24 / 25                      | 0.31        | 7.92  | 0.50  | 12.70  | 1.53    | 38.86  | 1.16    | 29.46 |
|                            |                      | A          |             |                              |             |       |       |        | 2.53    | 64.26  |         |       |
|                            |                      | B          |             |                              |             |       |       |        | 3.53    | 89.66  |         |       |
|                            |                      | C          |             |                              |             |       |       |        | 4.53    | 115.06 |         |       |
|                            | 05                   | STD.       | A           |                              | 0.44        | 11.10 | 0.63  | 15.88  | 1.53    | 38.86  | 1.25    | 31.75 |
|                            |                      | A          |             |                              |             |       |       |        | 2.53    | 64.26  |         |       |
|                            |                      | B          |             |                              |             |       |       |        | 3.53    | 89.66  |         |       |
|                            |                      | C          |             |                              |             |       |       |        | 4.53    | 115.06 |         |       |
|                            | 06                   | STD.       | A           |                              | 0.56        | 14.27 | 0.75  | 19.05  | 1.53    | 38.86  | 1.38    | 35.05 |
|                            |                      | A          |             |                              |             |       |       |        | 2.53    | 64.26  |         |       |
|                            |                      | B          |             |                              |             |       |       |        | 3.53    | 89.66  |         |       |
|                            |                      | C          |             |                              |             |       |       |        | 4.53    | 115.06 |         |       |
|                            | 07                   | STD.       | A           | 0.69                         | 17.45       | 0.88  | 22.23 | 1.53   | 38.86   | 1.50   | 38.10   |       |
|                            |                      | A          |             |                              |             |       |       | 2.53   | 64.26   |        |         |       |
|                            |                      | B          |             |                              |             |       |       | 3.53   | 89.66   |        |         |       |
|                            |                      | C          |             |                              |             |       |       | 4.53   | 115.06  |        |         |       |
|                            | 08                   | STD.       | A           | 0.81                         | 20.62       | 1.00  | 25.40 | 1.53   | 38.86   | 1.63   | 41.40   |       |
|                            |                      | A          |             |                              |             |       |       | 2.53   | 64.26   |        |         |       |
|                            |                      | B          |             |                              |             |       |       | 3.53   | 89.66   |        |         |       |
|                            |                      | C          |             |                              |             |       |       | 4.53   | 115.06  |        |         |       |
|                            | 09                   | STD.       | A           | 0.94                         | 23.80       | 1.13  | 28.58 | 1.53   | 38.86   | 1.75   | 44.45   |       |
|                            |                      | A          |             |                              |             |       |       | 2.53   | 64.26   |        |         |       |
|                            |                      | B          |             |                              |             |       |       | 3.53   | 89.66   |        |         |       |
|                            |                      | C          |             |                              |             |       |       | 4.53   | 115.06  |        |         |       |
| 10                         | STD.                 | A          | 1.06        | 26.97                        | 1.25        | 31.75 | 1.53  | 38.86  | 1.88    | 47.75  |         |       |
|                            | A                    |            |             |                              |             |       | 2.53  | 64.26  |         |        |         |       |
|                            | B                    |            |             |                              |             |       | 3.53  | 89.66  |         |        |         |       |
|                            | C                    |            |             |                              |             |       | 4.53  | 115.06 |         |        |         |       |

Note: For more cable entry and length options, email: [sales@backshellworld.com](mailto:sales@backshellworld.com)  
All dimensions for reference only.

38999

- III
- HD
- Dualok
- II
- I
- SJT
- Accessories
- Aquacon
- Herm/Seal
- PCB

- Fiber
- Optics
- Contacts
- High Speed

- EMI Filter
- Transient

- Matrix 2
- 26482

- Matrix I/Pyle
- III
- 83723

- Pyle
- 26500

- Crimp Rear Release Matrix
- 5015

- Class I
- 22992

- Backshells

- Options
- Others

### For Connector Family K

38999 Series II

38999 Series I

Connector Family "K", includes MIL-DTL-38999 Series II and Series I



**MIL Part Number**  
**M85049 / 17 10 W 03 A**

MIL Series ————  
 Slash Sheet: 17: Straight, Direct Coupling  
 Shell Size See Table-A

Length See Table-A (Omit for "STD")  
 Clamp Size: See Table-A  
 Finish: See Table-2 (pg. 486)

- 38999
- III
- HD
- Dualok
- II
- I
- SJT
- Accessories
- Aquacon
- Herm/Seal
- PCB
- High Speed
- Fiber Optics
- Contacts
- EMI Filter Transient
- 26482 Matrix 2
- 83723 III Matrix | Pyle
- 26500 Pyle
- 5015 Crimp Rear Release Matrix
- 22992 Class L
- Back-Shells
- Options Others

| MIL PART NUMBER DESIGNATOR |            | LENGTH | CONNECTOR SHELL SIZE SE - II/I | CABLE RANGE |         |       |      | L (MAX) |       | X (MAX) |       | Y (MAX) |       |       |       |
|----------------------------|------------|--------|--------------------------------|-------------|---------|-------|------|---------|-------|---------|-------|---------|-------|-------|-------|
| ACCESSORY SHELL SIZE       | CLAMP SIZE |        |                                | MIN         |         | MAX   |      | INCH    | MM    | INCH    | MM    | INCH    | MM    |       |       |
|                            |            |        |                                | INCH        | MM      | INCH  | MM   |         |       |         |       |         |       |       |       |
| 08                         | 01         | STD.   | 8 / 9                          | 0.06        | 1.57    | 0.13  | 3.18 | 1.53    | 38.86 | 1.25    | 31.75 | 0.78    | 19.81 |       |       |
|                            |            | A      |                                |             |         |       |      | 2.53    | 64.26 |         |       |         |       |       |       |
| 08                         | 02         | STD.   |                                | 10 / 11     | 0.13    | 3.18  | 0.25 | 6.35    | 1.53  | 38.86   | 1.25  | 31.75   | 0.97  | 24.64 |       |
|                            |            | A      |                                |             |         |       |      |         | 2.53  | 64.26   |       |         |       |       |       |
| 10                         | 01         | STD.   |                                |             | 12 / 13 | 0.06  | 1.57 | 0.13    | 3.18  | 1.53    | 38.86 | 1.25    | 31.75 | 0.78  | 19.81 |
|                            |            | A      |                                |             |         |       |      |         |       | 2.53    | 64.26 |         |       |       |       |
|                            |            | B      | 3.53                           |             |         |       |      |         |       | 89.66   |       |         |       |       |       |
| 10                         | 02         | STD.   | 14 / 15                        |             |         | 0.13  | 3.18 | 0.25    | 6.35  | 1.53    | 38.86 | 1.25    | 31.75 | 0.97  | 24.64 |
|                            |            | A      |                                | 2.53        |         |       |      |         |       | 64.26   |       |         |       |       |       |
|                            |            | B      |                                | 3.53        |         |       |      |         |       | 89.66   |       |         |       |       |       |
| 10                         | 03         | STD.   |                                | 16 / 17     | 0.25    | 6.35  | 0.38 | 9.53    | 1.53  | 38.86   | 1.25  | 31.75   | 1.06  | 26.92 |       |
|                            |            | A      |                                |             |         |       |      |         | 2.53  | 64.26   |       |         |       |       |       |
|                            |            | B      |                                |             |         |       |      |         | 3.53  | 89.66   |       |         |       |       |       |
| 12                         | 02         | STD.   | 16 / 17                        |             | 0.25    | 6.35  | 0.38 | 9.53    | 1.53  | 38.86   | 1.25  | 31.75   | 1.06  | 26.92 |       |
|                            |            | A      |                                |             |         |       |      |         | 2.53  | 64.26   |       |         |       |       |       |
|                            |            | B      |                                |             |         |       |      |         | 3.53  | 89.66   |       |         |       |       |       |
| 12                         | 03         | STD.   |                                | 16 / 17     | 0.38    | 9.53  | 0.50 | 12.70   | 1.53  | 38.86   | 1.25  | 31.75   | 1.16  | 29.46 |       |
|                            |            | A      |                                |             |         |       |      |         | 2.53  | 64.26   |       |         |       |       |       |
|                            |            | B      |                                |             |         |       |      |         | 3.53  | 89.66   |       |         |       |       |       |
| 14                         | 02         | STD.   | 16 / 17                        |             | 0.13    | 3.18  | 0.25 | 6.35    | 1.53  | 38.86   | 1.25  | 31.75   | 0.97  | 24.64 |       |
|                            |            | A      |                                |             |         |       |      |         | 2.53  | 64.26   |       |         |       |       |       |
|                            |            | B      |                                |             |         |       |      |         | 3.53  | 89.66   |       |         |       |       |       |
| 14                         | 03         | STD.   |                                | 16 / 17     | 0.25    | 6.35  | 0.38 | 9.53    | 1.53  | 38.86   | 1.25  | 31.75   | 1.06  | 26.92 |       |
|                            |            | A      |                                |             |         |       |      |         | 2.53  | 64.26   |       |         |       |       |       |
|                            |            | B      |                                |             |         |       |      |         | 3.53  | 89.66   |       |         |       |       |       |
| 14                         | 04         | STD.   | 16 / 17                        |             | 0.38    | 9.53  | 0.50 | 12.70   | 1.53  | 38.86   | 1.25  | 31.75   | 1.16  | 29.46 |       |
|                            |            | A      |                                |             |         |       |      |         | 2.53  | 64.26   |       |         |       |       |       |
|                            |            | B      |                                |             |         |       |      |         | 3.53  | 89.66   |       |         |       |       |       |
| 14                         | 05         | STD.   |                                | 16 / 17     | 0.50    | 12.70 | 0.63 | 15.88   | 1.53  | 38.86   | 1.31  | 33.27   | 1.25  | 31.75 |       |
|                            |            | A      |                                |             |         |       |      |         | 2.53  | 64.26   |       |         |       |       |       |
|                            |            | B      |                                |             |         |       |      |         | 3.53  | 89.66   |       |         |       |       |       |
| 16                         | 02         | STD.   | 16 / 17                        |             | 0.13    | 3.18  | 0.25 | 6.35    | 1.53  | 38.86   | 1.25  | 31.75   | 0.97  | 24.64 |       |
|                            |            | A      |                                |             |         |       |      |         | 2.53  | 64.26   |       |         |       |       |       |
|                            |            | B      |                                |             |         |       |      |         | 3.53  | 89.66   |       |         |       |       |       |
| 16                         | 03         | STD.   |                                | 16 / 17     | 0.25    | 6.35  | 0.38 | 9.53    | 1.53  | 38.86   | 1.25  | 31.75   | 1.06  | 26.92 |       |
|                            |            | A      |                                |             |         |       |      |         | 2.53  | 64.26   |       |         |       |       |       |
|                            |            | B      |                                |             |         |       |      |         | 3.53  | 89.66   |       |         |       |       |       |
| 16                         | 04         | STD.   | 16 / 17                        |             | 0.38    | 9.53  | 0.50 | 12.70   | 1.53  | 38.86   | 1.25  | 31.75   | 1.16  | 29.46 |       |
|                            |            | A      |                                |             |         |       |      |         | 2.53  | 64.26   |       |         |       |       |       |
|                            |            | B      |                                |             |         |       |      |         | 3.53  | 89.66   |       |         |       |       |       |
| 16                         | 05         | STD.   |                                | 16 / 17     | 0.50    | 12.70 | 0.63 | 15.88   | 1.53  | 38.86   | 1.31  | 33.27   | 1.25  | 31.75 |       |
|                            |            | A      |                                |             |         |       |      |         | 2.53  | 64.26   |       |         |       |       |       |
|                            |            | B      |                                |             |         |       |      |         | 3.53  | 89.66   |       |         |       |       |       |
| 16                         | 06         | STD.   | 16 / 17                        |             | 0.63    | 15.88 | 0.75 | 19.05   | 1.53  | 38.86   | 1.38  | 35.05   | 1.38  | 35.05 |       |
|                            |            | A      |                                |             |         |       |      |         | 2.53  | 64.26   |       |         |       |       |       |
|                            |            | B      |                                |             |         |       |      |         | 3.53  | 89.66   |       |         |       |       |       |

Note: For more cable entry and length options, email: sales@backshellworld.com  
 All dimensions for reference only.

TABLE CONTINUES ON NEXT PAGE

### For Connector Family K

**38999 Series II**

**38999 Series I**

Connector Family "K", includes MIL-DTL-38999 Series II and Series I

TABLE – A, cont.

| MIL PART NUMBER DESIGNATOR |            | CONNECTOR SHELL SIZE SE – II/I | LENGTH | CABLE RANGE |       |      |        | L (MAX) |        | X (MAX) |       | Y (MAX) |       |
|----------------------------|------------|--------------------------------|--------|-------------|-------|------|--------|---------|--------|---------|-------|---------|-------|
| ACCESSORY SHELL SIZE       | CLAMP SIZE |                                |        | MIN         |       | MAX  |        | INCH    | MM     | INCH    | MM    | INCH    | MM    |
|                            |            |                                |        | INCH        | MM    | INCH | MM     |         |        |         |       |         |       |
| 18                         | 03         | 18 / 19                        | STD.   | 0.25        | 6.35  | 0.38 | 9.53   | 1.53    | 38.86  | 1.25    | 31.75 | 1.06    | 26.92 |
|                            |            |                                | A      |             |       |      |        | 2.53    | 64.26  |         |       |         |       |
|                            |            |                                | B      |             |       |      |        | 3.53    | 89.66  |         |       |         |       |
|                            | 04         |                                | STD.   | 0.38        | 9.53  | 0.50 | 12.70  | 1.53    | 38.86  | 1.25    | 31.75 | 1.16    | 29.46 |
|                            |            |                                | A      |             |       |      |        | 2.53    | 64.26  |         |       |         |       |
|                            |            |                                | B      |             |       |      |        | 3.53    | 89.66  |         |       |         |       |
|                            | 05         |                                | STD.   | 0.50        | 12.70 | 0.63 | 15.88  | 1.53    | 38.86  | 1.31    | 33.27 | 1.25    | 31.75 |
|                            |            |                                | A      |             |       |      |        | 2.53    | 64.26  |         |       |         |       |
|                            |            |                                | B      |             |       |      |        | 3.53    | 89.66  |         |       |         |       |
|                            | 06         |                                | STD.   | 0.63        | 15.88 | 0.75 | 19.05  | 1.53    | 38.86  | 1.38    | 35.05 | 1.38    | 35.05 |
|                            |            |                                | A      |             |       |      |        | 2.53    | 64.26  |         |       |         |       |
|                            |            |                                | B      |             |       |      |        | 3.53    | 89.66  |         |       |         |       |
|                            | 07         |                                | STD.   | 0.75        | 19.05 | 0.88 | 22.23  | 1.53    | 38.86  | 1.50    | 38.10 | 1.50    | 38.10 |
|                            |            |                                | A      |             |       |      |        | 2.53    | 64.26  |         |       |         |       |
|                            |            |                                | B      |             |       |      |        | 3.53    | 89.66  |         |       |         |       |
| 20                         | 03         | 20 / 21                        | STD.   | 0.25        | 6.35  | 0.38 | 9.53   | 1.53    | 38.86  | 1.25    | 31.75 | 1.06    | 26.92 |
|                            |            |                                | A      |             |       |      |        | 2.53    | 64.26  |         |       |         |       |
|                            |            |                                | B      |             |       |      |        | 3.53    | 89.66  |         |       |         |       |
|                            |            |                                | C      |             |       |      |        | 4.53    | 115.06 |         |       |         |       |
|                            | 04         |                                | STD.   | 0.38        | 9.53  | 0.50 | 12.70  | 1.53    | 38.86  | 1.25    | 31.75 | 1.16    | 29.46 |
|                            |            |                                | A      |             |       |      |        | 2.53    | 64.26  |         |       |         |       |
|                            |            |                                | B      |             |       |      |        | 3.53    | 89.66  |         |       |         |       |
|                            |            |                                | C      |             |       |      |        | 4.53    | 115.06 |         |       |         |       |
|                            | 05         |                                | STD.   | 0.50        | 12.70 | 0.63 | 15.88  | 1.53    | 38.86  | 1.31    | 33.27 | 1.25    | 31.75 |
|                            |            |                                | A      |             |       |      |        | 2.53    | 64.26  |         |       |         |       |
|                            |            |                                | B      |             |       |      |        | 3.53    | 89.66  |         |       |         |       |
|                            |            |                                | C      |             |       |      |        | 4.53    | 115.06 |         |       |         |       |
|                            | 06         |                                | STD.   | 0.63        | 15.88 | 0.75 | 19.05  | 1.53    | 38.86  | 1.38    | 35.05 | 1.38    | 35.05 |
|                            |            |                                | A      |             |       |      |        | 2.53    | 64.26  |         |       |         |       |
|                            |            |                                | B      |             |       |      |        | 3.53    | 89.66  |         |       |         |       |
|                            |            |                                | C      |             |       |      |        | 4.53    | 115.06 |         |       |         |       |
|                            | 07         |                                | STD.   | 0.75        | 19.05 | 0.88 | 22.23  | 1.53    | 38.86  | 1.50    | 38.10 | 1.50    | 38.10 |
|                            |            |                                | A      |             |       |      |        | 2.53    | 64.26  |         |       |         |       |
|                            |            |                                | B      |             |       |      |        | 3.53    | 89.66  |         |       |         |       |
|                            |            |                                | C      |             |       |      |        | 4.53    | 115.06 |         |       |         |       |
|                            | 08         |                                | STD.   | 0.88        | 22.23 | 1.00 | 25.40  | 1.53    | 38.86  | 1.63    | 41.40 | 1.63    | 41.40 |
| A                          |            | 2.53                           | 64.26  |             |       |      |        |         |        |         |       |         |       |
| B                          |            | 3.53                           | 89.66  |             |       |      |        |         |        |         |       |         |       |
| C                          |            | 4.53                           | 115.06 |             |       |      |        |         |        |         |       |         |       |
| 22                         | 03         | 22 / 23                        | STD.   | 0.25        | 6.35  | 0.38 | 9.53   | 1.53    | 38.86  | 1.25    | 31.75 | 1.06    | 26.92 |
|                            |            |                                | A      |             |       |      |        | 2.53    | 64.26  |         |       |         |       |
|                            |            |                                | B      |             |       |      |        | 3.53    | 89.66  |         |       |         |       |
|                            |            |                                | C      |             |       |      |        | 4.53    | 115.06 |         |       |         |       |
|                            | 04         |                                | STD.   | 0.38        | 9.53  | 0.50 | 12.70  | 1.53    | 38.86  | 1.25    | 31.75 | 1.16    | 29.46 |
|                            |            |                                | A      |             |       |      |        | 2.53    | 64.26  |         |       |         |       |
|                            |            |                                | B      |             |       |      |        | 3.53    | 89.66  |         |       |         |       |
|                            |            |                                | C      |             |       |      |        | 4.53    | 115.06 |         |       |         |       |
|                            | 05         |                                | STD.   | 0.50        | 12.70 | 0.63 | 15.88  | 1.53    | 38.86  | 1.31    | 33.27 | 1.25    | 31.75 |
|                            |            |                                | A      |             |       |      |        | 2.53    | 64.26  |         |       |         |       |
|                            |            |                                | B      |             |       |      |        | 3.53    | 89.66  |         |       |         |       |
|                            |            |                                | C      |             |       |      |        | 4.53    | 115.06 |         |       |         |       |
| 06                         | STD.       | 0.63                           | 15.88  | 0.75        | 19.05 | 1.53 | 38.86  | 1.38    | 35.05  | 1.38    | 35.05 |         |       |
|                            | A          |                                |        |             |       | 2.53 | 64.26  |         |        |         |       |         |       |
|                            | B          |                                |        |             |       | 3.53 | 89.66  |         |        |         |       |         |       |
|                            | C          |                                |        |             |       | 4.53 | 115.06 |         |        |         |       |         |       |

Note: For more cable entry and length options, email: [sales@backshellworld.com](mailto:sales@backshellworld.com)  
All dimensions for reference only.

TABLE CONTINUES ON NEXT PAGE

38999

- III
- HD
- Dualok
- II
- I
- SJT
- Accessories
- Aquacon
- Herm/Seal
- PCB

- Fiber Optics
- High Speed
- Contacts

- EMI Filter
- Transient

- Matrix 2
- 26482

- Matrix I/Pyle
- III
- 83723

- Pyle
- 26500

- Crimp Rear Release Matrix
- 5015

- Class I
- 22992

- Backshells

- Options
- Others

### For Connector Family K

38999 Series II

38999 Series I

Connector Family "K", includes MIL-DTL-38999 Series II and Series I

| TABLE - A, cont.           |            |                                  |        |             |       |      |        |         |        |         |       |         |       |
|----------------------------|------------|----------------------------------|--------|-------------|-------|------|--------|---------|--------|---------|-------|---------|-------|
| MIL PART NUMBER DESIGNATOR |            | CONNECTOR SHELL SIZE SE - II / I | LENGTH | CABLE RANGE |       |      |        | L (MAX) |        | X (MAX) |       | Y (MAX) |       |
| ACCESSORY SHELL SIZE       | CLAMP SIZE |                                  |        | MIN         |       | MAX  |        | INCH    | MM     | INCH    | MM    | INCH    | MM    |
|                            |            |                                  |        | INCH        | MM    | INCH | MM     |         |        |         |       |         |       |
| 22, cont.                  | 07         | 22 / 23                          | STD.   | 0.75        | 19.05 | 0.88 | 22.23  | 1.53    | 38.86  | 1.50    | 38.10 | 1.50    | 38.10 |
|                            |            |                                  | A      |             |       |      |        | 2.53    | 64.26  |         |       |         |       |
|                            |            |                                  | B      |             |       |      |        | 3.53    | 89.66  |         |       |         |       |
|                            |            |                                  | C      |             |       |      |        | 4.53    | 115.06 |         |       |         |       |
|                            | 08         |                                  | STD.   | 0.88        | 22.23 | 1.00 | 25.40  | 1.53    | 38.86  | 1.63    | 41.40 | 1.63    | 41.40 |
|                            |            |                                  | A      |             |       |      |        | 2.53    | 64.26  |         |       |         |       |
|                            |            |                                  | B      |             |       |      |        | 3.53    | 89.66  |         |       |         |       |
|                            |            |                                  | C      |             |       |      |        | 4.53    | 115.06 |         |       |         |       |
|                            | 09         |                                  | STD.   | 1.00        | 25.40 | 1.13 | 28.58  | 1.53    | 38.86  | 1.63    | 41.40 | 1.75    | 44.45 |
|                            |            |                                  | A      |             |       |      |        | 2.53    | 64.26  |         |       |         |       |
|                            |            |                                  | B      |             |       |      |        | 3.53    | 89.66  |         |       |         |       |
|                            |            |                                  | C      |             |       |      |        | 4.53    | 115.06 |         |       |         |       |
| 24                         | 04         | 24 / 25                          | STD.   | 0.38        | 9.53  | 0.50 | 12.70  | 1.53    | 38.86  | 1.25    | 31.75 | 1.16    | 29.46 |
|                            |            |                                  | A      |             |       |      |        | 2.53    | 64.26  |         |       |         |       |
|                            |            |                                  | B      |             |       |      |        | 3.53    | 89.66  |         |       |         |       |
|                            |            |                                  | C      |             |       |      |        | 4.53    | 115.06 |         |       |         |       |
|                            | 05         |                                  | STD.   | 0.50        | 12.70 | 0.63 | 15.88  | 1.53    | 38.86  | 1.31    | 33.27 | 1.25    | 31.75 |
|                            |            |                                  | A      |             |       |      |        | 2.53    | 64.26  |         |       |         |       |
|                            |            |                                  | B      |             |       |      |        | 3.53    | 89.66  |         |       |         |       |
|                            |            |                                  | C      |             |       |      |        | 4.53    | 115.06 |         |       |         |       |
|                            | 06         |                                  | STD.   | 0.63        | 15.88 | 0.75 | 19.05  | 1.53    | 38.86  | 1.38    | 35.05 | 1.38    | 35.05 |
|                            |            |                                  | A      |             |       |      |        | 2.53    | 64.26  |         |       |         |       |
|                            |            |                                  | B      |             |       |      |        | 3.53    | 89.66  |         |       |         |       |
|                            |            |                                  | C      |             |       |      |        | 4.53    | 115.06 |         |       |         |       |
|                            | 07         |                                  | STD.   | 0.75        | 19.05 | 0.88 | 22.23  | 1.53    | 38.86  | 1.50    | 38.10 | 1.50    | 38.10 |
|                            |            |                                  | A      |             |       |      |        | 2.53    | 64.26  |         |       |         |       |
|                            |            |                                  | B      |             |       |      |        | 3.53    | 89.66  |         |       |         |       |
|                            |            |                                  | C      |             |       |      |        | 4.53    | 115.06 |         |       |         |       |
|                            | 08         |                                  | STD.   | 0.88        | 22.23 | 1.00 | 25.40  | 1.53    | 38.86  | 1.63    | 41.40 | 1.63    | 41.40 |
|                            |            |                                  | A      |             |       |      |        | 2.53    | 64.26  |         |       |         |       |
|                            |            |                                  | B      |             |       |      |        | 3.53    | 89.66  |         |       |         |       |
|                            |            |                                  | C      |             |       |      |        | 4.53    | 115.06 |         |       |         |       |
|                            | 09         |                                  | STD.   | 1.00        | 25.40 | 1.13 | 28.58  | 1.53    | 38.86  | 1.63    | 41.40 | 1.75    | 44.45 |
|                            |            |                                  | A      |             |       |      |        | 2.53    | 64.26  |         |       |         |       |
|                            |            |                                  | B      |             |       |      |        | 3.53    | 89.66  |         |       |         |       |
|                            |            |                                  | C      |             |       |      |        | 4.53    | 115.06 |         |       |         |       |
| 10                         | STD.       | 1.13                             | 28.58  | 1.25        | 31.75 | 1.53 | 38.86  | 1.63    | 41.40  | 1.88    | 47.75 |         |       |
|                            | A          |                                  |        |             |       | 2.53 | 64.26  |         |        |         |       |         |       |
|                            | B          |                                  |        |             |       | 3.53 | 89.66  |         |        |         |       |         |       |
|                            | C          |                                  |        |             |       | 4.53 | 115.06 |         |        |         |       |         |       |

Note: For more cable entry and length options, email: [sales@backshellworld.com](mailto:sales@backshellworld.com)  
All dimensions for reference only.

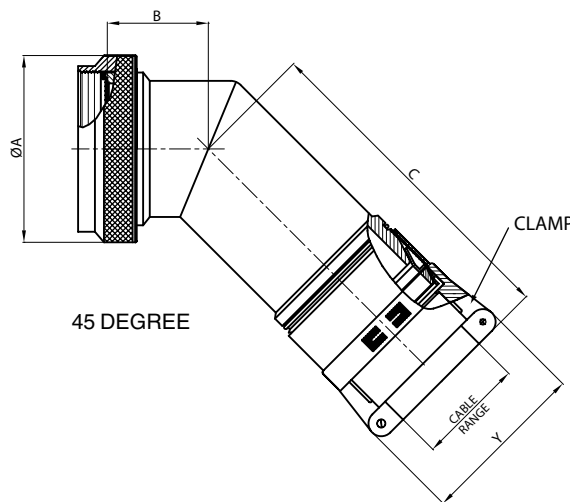
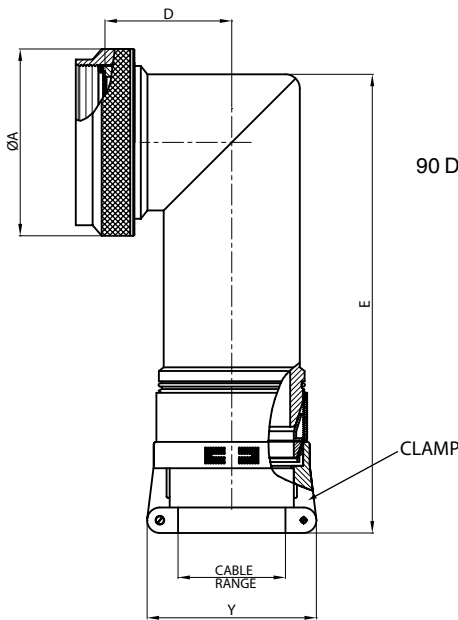
- 38999
- III
- HD
- Dualok
- II
- I
- SJT
- Accessories
- Aquacon
- Herm/Seal
- PCB
- High Speed
- Fiber Optics
- Contacts
- EMI Filter Transient
- 26482
- Matrix 2
- 83723
- III
- Matrix | Pyle
- 26500
- Pyle
- 5015
- Crimp Rear Release Matrix
- 22992
- Class L
- Back-Shells
- Options Others

### For Connector Family K

**38999 Series II**

**38999 Series I**

Connector Family "K", includes MIL-DTL-38999 Series II and Series I



**MIL Part Number**

**M85049 / 76 10 W 01**

MIL Series: M85049 / 76  
 Slash Sheet: 76: 90° Spin Coupling, 77: 45° Spin Coupling  
 Shell Size: 10  
 Clamp Size: W  
 Finish: 01  
 See Table-B for details.

**TABLE - B**

| MIL PART NUMBER DESIGNATOR |            | CONNECTOR SHELL SIZE SE - II / I | CABLE RANGE |       |      |       | A DIA. (MAX) |       | B (MAX) |       | C (MAX) |       | D (MAX) |       | E (MAX) |       | Y (MAX) |       |
|----------------------------|------------|----------------------------------|-------------|-------|------|-------|--------------|-------|---------|-------|---------|-------|---------|-------|---------|-------|---------|-------|
| ACCESSORY SHELL SIZE       | CLAMP SIZE |                                  | MIN         |       | MAX  |       | INCH         | MM    | INCH    | MM    | INCH    | MM    | INCH    | MM    | INCH    | MM    | INCH    | MM    |
|                            |            |                                  | INCH        | MM    | INCH | MM    |              |       |         |       |         |       |         |       |         |       |         |       |
| 08                         | 01         | 8 / 9                            | 0.06        | 1.57  | 0.13 | 3.18  | 0.75         | 19.05 | 0.46    | 11.68 | 3.15    | 80.01 | 0.69    | 17.53 | 3.46    | 87.88 | 0.80    | 20.32 |
|                            | 02         |                                  | 0.13        | 3.18  | 0.25 | 6.35  |              |       |         |       |         |       |         |       |         |       | 1.00    | 25.40 |
| 10                         | 01         | 10 / 11                          | 0.06        | 1.57  | 0.13 | 3.18  | 0.85         | 21.59 | 0.52    | 13.21 | 3.21    | 81.53 | 0.78    | 19.81 | 3.58    | 90.93 | 0.80    | 20.32 |
|                            | 02         |                                  | 0.13        | 3.18  | 0.25 | 6.35  |              |       |         |       |         |       |         |       |         |       | 1.00    | 25.40 |
|                            | 03         |                                  | 0.25        | 6.35  | 0.38 | 9.53  |              |       |         |       |         |       |         |       |         |       | 1.10    | 27.94 |
| 12                         | 02         | 12 / 13                          | 0.13        | 3.18  | 0.25 | 6.35  | 1.00         | 25.40 | 0.58    | 14.73 | 3.27    | 83.06 | 0.80    | 20.32 | 3.60    | 91.44 | 1.10    | 27.94 |
|                            | 03         |                                  | 0.25        | 6.35  | 0.38 | 9.53  |              |       |         |       |         |       |         |       |         |       | 1.20    | 30.48 |
|                            | 04         |                                  | 0.38        | 9.53  | 0.50 | 12.70 |              |       |         |       |         |       |         |       |         |       | 1.25    | 31.75 |
| 14                         | 02         | 14 / 15                          | 0.13        | 3.18  | 0.25 | 6.35  | 1.15         | 29.21 | 0.65    | 16.51 | 3.36    | 85.34 | 0.88    | 22.35 | 3.67    | 93.22 | 1.00    | 25.40 |
|                            | 03         |                                  | 0.25        | 6.35  | 0.38 | 9.53  |              |       |         |       |         |       |         |       |         |       | 1.10    | 27.94 |
|                            | 04         |                                  | 0.38        | 9.53  | 0.50 | 12.70 |              |       |         |       |         |       |         |       |         |       | 1.20    | 30.48 |
|                            | 05         |                                  | 0.50        | 12.70 | 0.63 | 15.88 |              |       |         |       |         |       |         |       |         |       | 1.25    | 31.75 |
| 16                         | 02         | 16 / 17                          | 0.13        | 3.18  | 0.25 | 6.35  | 1.25         | 31.75 | 0.74    | 18.80 | 3.47    | 88.14 | 0.93    | 23.62 | 3.76    | 95.50 | 1.00    | 25.40 |
|                            | 03         |                                  | 0.25        | 6.35  | 0.38 | 9.53  |              |       |         |       |         |       |         |       |         |       | 1.10    | 27.94 |
|                            | 04         |                                  | 0.38        | 9.53  | 0.50 | 12.70 |              |       |         |       |         |       |         |       |         |       | 1.20    | 30.48 |
|                            | 05         |                                  | 0.50        | 12.70 | 0.63 | 15.88 |              |       |         |       |         |       |         |       |         |       | 1.25    | 31.75 |
|                            | 06         |                                  | 0.63        | 15.88 | 0.75 | 19.05 |              |       |         |       |         |       |         |       |         |       | 1.40    | 35.56 |
| 18                         | 03         | 18 / 19                          | 0.25        | 6.35  | 0.38 | 9.53  | 1.40         | 35.56 | 0.93    | 23.62 | 3.66    | 92.96 | 1.01    | 25.65 | 3.93    | 99.82 | 1.10    | 27.94 |
|                            | 04         |                                  | 0.38        | 9.53  | 0.50 | 12.70 |              |       |         |       |         |       |         |       |         |       | 1.20    | 30.48 |
|                            | 05         |                                  | 0.50        | 12.70 | 0.63 | 15.88 |              |       |         |       |         |       |         |       |         |       | 1.25    | 31.75 |
|                            | 06         |                                  | 0.63        | 15.88 | 0.75 | 19.05 |              |       |         |       |         |       |         |       |         |       | 1.40    | 35.56 |
|                            | 07         |                                  | 0.75        | 19.05 | 0.88 | 22.23 |              |       |         |       |         |       |         |       |         |       | 1.50    | 38.10 |

Note: For more cable entry and length options, email: sales@backshellworld.com  
 All dimensions for reference only.

TABLE CONTINUES ON NEXT PAGE

38999

- III
- HD
- Dualok
- II
- I
- SJT
- Accessories
- Aquacon
- Herm/Seal
- PCB
- Fiber Optics
- High Speed
- Contacts
- EMI Filter
- Transient
- Matrix 2
- 26482
- Matrix | Pyle
- III
- 83723
- Pyle
- 26500
- Crimp Rear Release Matrix
- 5015
- Class I
- 22992
- Back-Shell
- Options
- Others

### For Connector Family K

**38999 Series II**

**38999 Series I**

Connector Family "K", includes MIL-DTL-38999 Series II and Series I

38999

III

HD

Dualok

II

I

SJT

Accessories

Aquacon

Herm/Seal

PCB

High Speed  
Fiber Optics  
Contacts

EMI Filter  
Transient

26482  
Matrix 2

83723  
III  
Matrix | Pyle

26500  
Pyle

5015  
Crimp Rear  
Release  
Matrix

22992  
Class L

Back-  
Shells

Options  
Others

TABLE - B

| MIL PART NUMBER DESIGNATOR |            | CONNECTOR SHELL SIZE SE - II / I | CABLE RANGE |       |      |       | A DIA. (MAX) |       | B (MAX) |       | C (MAX) |       | D (MAX) |       | E (MAX) |        | Y (MAX) |       |
|----------------------------|------------|----------------------------------|-------------|-------|------|-------|--------------|-------|---------|-------|---------|-------|---------|-------|---------|--------|---------|-------|
| ACCESSORY SHELL SIZE       | CLAMP SIZE |                                  | MIN         |       | MAX  |       | INCH         | MM    | INCH    | MM    | INCH    | MM    | INCH    | MM    | INCH    | MM     | INCH    | MM    |
|                            |            |                                  | INCH        | MM    | INCH | MM    |              |       |         |       |         |       |         |       |         |        |         |       |
| 20                         | 03         | 20 / 21                          | 0.25        | 6.35  | 0.38 | 9.53  | 1.55         | 39.37 | 0.93    | 23.62 | 3.66    | 92.96 | 1.06    | 26.92 | 3.93    | 99.82  | 1.10    | 27.94 |
|                            | 04         |                                  | 0.38        | 9.53  | 0.50 | 12.70 |              |       |         |       |         |       |         |       |         |        | 1.20    | 30.48 |
|                            | 05         |                                  | 0.50        | 12.70 | 0.63 | 15.88 |              |       |         |       |         |       |         |       |         |        | 1.25    | 31.75 |
|                            | 06         |                                  | 0.63        | 15.88 | 0.75 | 19.05 |              |       |         |       |         |       |         |       |         |        | 1.40    | 35.56 |
|                            | 07         |                                  | 0.75        | 19.05 | 0.88 | 22.23 |              |       |         |       |         |       |         |       |         |        | 1.50    | 38.10 |
|                            | 08         |                                  | 0.88        | 22.23 | 1.00 | 25.40 |              |       |         |       |         |       |         |       |         |        | 1.65    | 41.91 |
| 22                         | 03         | 22 / 23                          | 0.25        | 6.35  | 0.38 | 9.53  | 1.65         | 41.91 | 1.02    | 25.91 | 3.81    | 96.77 | 1.17    | 29.72 | 4.04    | 102.62 | 1.10    | 27.94 |
|                            | 04         |                                  | 0.38        | 9.53  | 0.50 | 12.70 |              |       |         |       |         |       |         |       |         |        | 1.20    | 30.48 |
|                            | 05         |                                  | 0.50        | 12.70 | 0.63 | 15.88 |              |       |         |       |         |       |         |       |         |        | 1.25    | 31.75 |
|                            | 06         |                                  | 0.63        | 15.88 | 0.75 | 19.05 |              |       |         |       |         |       |         |       |         |        | 1.40    | 35.56 |
|                            | 07         |                                  | 0.75        | 19.05 | 0.88 | 22.23 |              |       |         |       |         |       |         |       |         |        | 1.50    | 38.10 |
|                            | 08         |                                  | 0.88        | 22.23 | 1.00 | 25.40 |              |       |         |       |         |       |         |       |         |        | 1.65    | 41.91 |
| 24                         | 04         | 24 / 25                          | 0.38        | 9.53  | 0.50 | 12.70 | 1.85         | 46.99 | 1.02    | 25.91 | 3.81    | 96.77 | 1.18    | 29.97 | 4.04    | 102.62 | 1.75    | 44.45 |
|                            | 05         |                                  | 0.50        | 12.70 | 0.63 | 15.88 |              |       |         |       |         |       |         |       |         |        | 1.20    | 30.48 |
|                            | 06         |                                  | 0.63        | 15.88 | 0.75 | 19.05 |              |       |         |       |         |       |         |       |         |        | 1.25    | 31.75 |
|                            | 07         |                                  | 0.75        | 19.05 | 0.88 | 22.23 |              |       |         |       |         |       |         |       |         |        | 1.40    | 35.56 |
|                            | 08         |                                  | 0.88        | 22.23 | 1.00 | 25.40 |              |       |         |       |         |       |         |       |         |        | 1.50    | 38.10 |
|                            | 09         |                                  | 1.00        | 25.40 | 1.13 | 28.58 |              |       |         |       |         |       |         |       |         |        | 1.65    | 41.91 |
| 10                         | 1.13       | 28.58                            | 1.25        | 31.75 | 1.75 | 44.45 |              |       |         |       |         |       |         |       |         |        |         |       |

Note: For more cable entry and length options, email: [sales@backshellworld.com](mailto:sales@backshellworld.com)  
All dimensions for reference only.



## Shrink Boot Adapter Straight Spin Coupling

### For Connector Family K

38999 Series II

38999 Series I

Connector Family "K", includes MIL-DTL-38999 Series II and Series I



**MIL Part Number**

**M85049 / 62 10 W D**

MIL Series: M85049 / 62  
 Slash Sheet: 10  
 Finish: W  
 Drain hole Option: D  
 Dash Number: D

D: Drain hole Option  
 Finish: See Table-2 (pg. 486)  
 Dash Number: See Table-A

| MIL PART NUMBER DESIGNATOR | CONNECTOR SHELL SIZE SE - II/I | A DIA. (MAX) |       | B (MAX) |       | C DIA. (MIN) |       | D DIA. (MAX) |       |
|----------------------------|--------------------------------|--------------|-------|---------|-------|--------------|-------|--------------|-------|
|                            |                                | INCH         | MM    | INCH    | MM    | INCH         | MM    | INCH         | MM    |
| DASH NO. 08                | 8 / 9                          | 0.75         | 19.05 | 1.00    | 25.40 | 0.25         | 6.35  | 0.53         | 13.54 |
| 10                         | 10 / 11                        | 0.85         | 21.59 | 1.00    | 25.40 | 0.38         | 9.53  | 0.61         | 15.37 |
| 12                         | 12 / 13                        | 1.00         | 25.40 | 1.00    | 25.40 | 0.50         | 12.70 | 0.77         | 19.66 |
| 14                         | 14 / 15                        | 1.10         | 27.94 | 1.00    | 25.40 | 0.63         | 15.88 | 0.84         | 21.29 |
| 16                         | 16 / 17                        | 1.25         | 31.75 | 1.00    | 25.40 | 0.75         | 19.05 | 0.94         | 23.77 |
| 18                         | 18 / 19                        | 1.40         | 35.56 | 1.00    | 25.40 | 0.81         | 20.62 | 1.04         | 26.47 |
| 20                         | 20 / 21                        | 1.50         | 38.10 | 1.00    | 25.40 | 0.94         | 23.80 | 1.22         | 30.91 |
| 22                         | 22 / 23                        | 1.65         | 41.91 | 1.00    | 25.40 | 1.06         | 26.97 | 1.36         | 34.42 |
| 24                         | 24 / 25                        | 1.75         | 44.45 | 1.00    | 25.40 | 1.19         | 30.18 | 1.44         | 36.65 |

Note: For more cable entry and length options, email: sales@backshellworld.com  
 All dimensions for reference only.

38999

III

HD

Dualok

II

I

SJT

Accessories

Aquacon

Herm/Seal

PCB

Fiber Optics

High Speed

Contacts

EMI Filter

Transient

Matrix 2

26482

Matrix I/Pyle

III

83723

Pyle

26500

Matrix

5015

Crimp Rear Release Matrix

Class I

22992

Back-Shells

Options

Others

38999 Series II

38999 Series I

Connector Family "K", includes MIL-DTL-38999 Series II and Series I



**MIL Part Number**

**M85049 / 33 -2 -10 W**

MIL Series: M85049 / 33  
 Slash Sheet: 33: Straight, Spin Coupling  
 Finish: See Table-2 (pg. 486)  
 Dash Number: See Table-A  
 Adapter without Crimp Ring

Refer to page 544 for ordering details of ring.

**TABLE - A**

| MIL PART NUMBER DESIGNATOR | CONNECTOR SHELL SIZE SE - II/I | A DIA.(MAX) |       | B (MAX) |       | C DIA.(MAX) |       | D DIA.(MAX) |       |
|----------------------------|--------------------------------|-------------|-------|---------|-------|-------------|-------|-------------|-------|
|                            |                                | INCH        | MM    | INCH    | MM    | INCH        | MM    | INCH        | MM    |
| DASH NO                    |                                |             |       |         |       |             |       |             |       |
| 08                         | 8 / 9                          | 0.75        | 19.05 | 1.14    | 28.96 | 0.27        | 6.86  | 0.35        | 8.89  |
| 10                         | 10 / 11                        | 0.85        | 21.59 | 1.14    | 28.96 | 0.34        | 8.64  | 0.50        | 12.70 |
| 12                         | 12 / 13                        | 1.00        | 25.40 | 1.14    | 28.96 | 0.44        | 11.18 | 0.51        | 12.95 |
| 14                         | 14 / 15                        | 1.10        | 27.94 | 1.14    | 28.96 | 0.56        | 14.22 | 0.63        | 16.00 |
| 16                         | 16 / 17                        | 1.25        | 31.75 | 1.14    | 28.96 | 0.69        | 17.53 | 0.76        | 19.30 |
| 18                         | 18 / 19                        | 1.40        | 35.56 | 1.14    | 28.96 | 0.80        | 20.32 | 0.89        | 22.61 |
| 20                         | 20 / 21                        | 1.50        | 38.10 | 1.14    | 28.96 | 0.93        | 23.62 | 1.01        | 25.65 |
| 22                         | 22 / 23                        | 1.65        | 41.91 | 1.14    | 28.96 | 1.05        | 26.67 | 1.13        | 28.70 |
| 24                         | 24 / 25                        | 1.75        | 44.45 | 1.14    | 28.96 | 1.13        | 28.70 | 1.20        | 30.48 |

Note: For more cable entry and length options, email: [sales@backshellworld.com](mailto:sales@backshellworld.com)  
 All dimensions for reference only.

- 38999
- III
- HD
- Dualok
- II
- I
- SJT
- Accessories
- Aquacon
- Herm/Seal
- PCB
- High Speed
- Fiber Optics
- Contacts
- EMI Filter Transient
- 26482
- Matrix 2
- 83723
- III
- Matrix | Pyle
- 26500
- Pyle
- 5015
- Crimp Rear Release Matrix
- 22992
- Class L
- Back-Shells
- Options Others

## Band Lock Adapter Straight, 90° and 45° Self-Lock

For Connector Family K

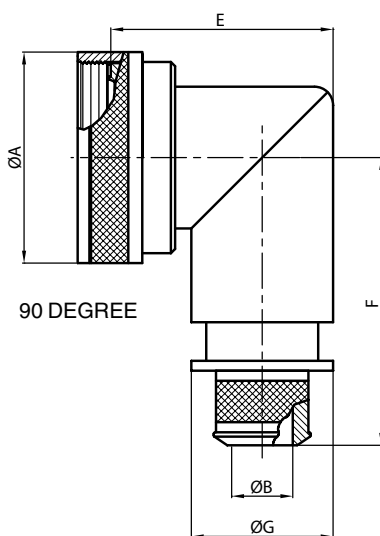
38999 Series II

38999 Series I

Connector Family "K", includes MIL-DTL-38999 Series II and Series I



STRAIGHT



90 DEGREE



45 DEGREE

### MIL Part Number

**M85049 / 85 -10 W 02**

MIL Series: **M85049**  
 Slash Sheet: **85**  
 Entry Size: **-10**  
 Finish: **W**  
 Shell Size: **02**

Entry Size: See Table-A  
 Finish: See Table-2 (pg. 486)  
 Shell Size: See Table-A

| MIL PART NUMBER DESIGNATOR |            | CONNECTOR SHELL SIZE SE - II / I | A DIA. (MAX) |       | B DIA. (MAX) |       | C (MAX) |       | D (MAX) |       | E (MAX) |       | F (MAX.) |       | G MAX |       |
|----------------------------|------------|----------------------------------|--------------|-------|--------------|-------|---------|-------|---------|-------|---------|-------|----------|-------|-------|-------|
| ACCESSORY SHELL SIZE       | ENTRY SIZE |                                  | INCH         | MM    | +0.00        | +0.00 | INCH    | MM    | INCH    | MM    | INCH    | MM    | INCH     | MM    | INCH  | MM    |
|                            |            |                                  |              |       | -0.02        | -0.50 |         |       |         |       |         |       |          |       |       |       |
| 08                         | 03         | 8 / 9                            | 0.86         | 21.82 | 0.26         | 6.60  | 0.87    | 22.10 | 1.16    | 29.46 | 1.38    | 34.93 | 1.42     | 35.99 | 0.56  | 14.22 |
| 10                         | 03         | 10 / 11                          | 0.99         | 25.04 | 0.32         | 8.13  | 0.90    | 22.86 | 1.19    | 30.23 | 1.44    | 36.50 | 1.48     | 37.59 | 0.63  | 16.00 |
| 12                         | 02         | 12 / 13                          | 1.16         | 29.36 | 0.32         | 8.13  | 0.92    | 23.37 | 1.21    | 30.73 | 1.56    | 39.67 | 1.55     | 39.45 | 0.63  | 16.00 |
|                            | 03         |                                  |              |       | 0.45         | 11.43 |         |       |         |       |         |       |          |       | 0.75  | 19.05 |
| 14                         | 02         | 14 / 15                          | 1.28         | 32.54 | 0.45         | 11.43 | 0.95    | 24.13 | 1.24    | 31.50 | 1.69    | 42.85 | 1.61     | 41.00 | 0.75  | 19.05 |
|                            | 03         |                                  |              |       | 0.57         | 14.48 |         |       |         |       |         |       |          |       | 0.89  | 22.61 |
| 16                         | 02         | 16 / 17                          | 1.41         | 35.71 | 0.51         | 12.95 | 0.98    | 24.89 | 1.26    | 32.00 | 1.75    | 44.45 | 1.68     | 42.62 | 0.82  | 20.83 |
|                            | 03         |                                  |              |       | 0.64         | 16.26 |         |       |         |       |         |       |          |       | 0.95  | 24.13 |
| 18                         | 02         | 18 / 19                          | 1.52         | 38.51 | 0.64         | 16.26 | 0.98    | 24.89 | 1.27    | 32.26 | 1.88    | 47.63 | 1.73     | 44.02 | 0.95  | 24.13 |
|                            | 03         |                                  |              |       | 0.76         | 19.30 |         |       |         |       |         |       |          |       | 1.07  | 27.18 |
| 20                         | 02         | 20 / 21                          | 1.64         | 41.68 | 0.64         | 16.26 | 1.01    | 25.65 | 1.30    | 33.02 | 1.94    | 49.23 | 1.80     | 45.62 | 0.95  | 24.13 |
|                            | 03         |                                  |              |       | 0.82         | 20.83 |         |       |         |       |         |       |          |       | 1.13  | 28.07 |
| 22                         | 02         | 22 / 23                          | 1.77         | 44.86 | 0.70         | 17.78 | 1.04    | 26.42 | 1.33    | 33.78 | 2.06    | 52.37 | 1.86     | 47.22 | 1.02  | 25.99 |
|                            | 03         |                                  |              |       | 0.95         | 24.13 |         |       |         |       |         |       |          |       | 1.26  | 32.00 |
| 24                         | 02         | 24 / 25                          | 1.89         | 48.03 | 0.76         | 19.30 | 1.07    | 27.18 | 1.35    | 34.29 | 2.13    | 53.98 | 1.92     | 48.74 | 1.07  | 27.18 |
|                            | 03         |                                  |              |       | 1.01         | 25.65 |         |       |         |       |         |       |          |       | 1.32  | 33.53 |

Note: For more cable entry and length options, email: sales@backshellworld.com  
 All dimensions for reference only.

38999

III

HD

Dualok

II

I

SJT

Accessories

Aquacon

Herm/Seal

PCB

Fiber

Optics

Contacts

High Speed

EMI Filter

Transient

Matrix 2

Matrix Pyle

III

83723

26482

26500

Pyle

5015

Crimp Rear Release Matrix

22992

Class I

Backshells

Options

Others

### For Connector Family K

38999 Series II

38999 Series I

Connector Family "K", includes MIL-DTL-38999 Series II and Series I



#### MIL Part Number

**M85049 / 112 - 10 T W 03 -6 D**



TABLE - A

| MIL PART NUMBER DESIGNATOR |                      |     | CONNECTOR SHELL SIZE SE - II / I | A DIA. (MAX) |       | H (MAX) |       | J (MAX) |       |
|----------------------------|----------------------|-----|----------------------------------|--------------|-------|---------|-------|---------|-------|
| ACCESSORY SHELL SIZE       | ALLOWABLE ENTRY SIZE |     |                                  | INCH         | MM    | INCH    | MM    | INCH    | MM    |
|                            | MIN                  | MAX |                                  |              |       |         |       |         |       |
| 08                         | -                    | 01  | 8/9                              | 0.860        | 21.84 | 1.73    | 43.94 | 1.07    | 27.18 |
| 10                         | 01                   | 03  | 10/11                            | 0.980        | 24.89 | 1.85    | 46.99 | 1.19    | 30.23 |
| 12                         | 01                   | 05  | 12/13                            | 1.160        | 29.46 | 1.87    | 47.50 | 1.32    | 33.53 |
| 14                         | 03                   | 07  | 14/15                            | 1.280        | 32.51 | 1.94    | 49.28 | 1.44    | 36.58 |
| 16                         | 05                   | 09  | 16/17                            | 1.410        | 35.81 | 2.03    | 51.56 | 1.57    | 39.88 |
| 18                         | 06                   | 10  | 18/19                            | 1.520        | 38.61 | 2.20    | 55.88 | 1.75    | 44.45 |
| 20                         | 08                   | 12  | 20/21                            | 1.640        | 41.66 | 2.20    | 55.88 | 1.75    | 44.45 |
| 22                         | 09                   | 13  | 22/23                            | 1.770        | 44.96 | 2.31    | 58.67 | 2.00    | 50.80 |
| 24                         | 10                   | 14  | 24/25                            | 1.890        | 48.01 | 2.31    | 58.67 | 2.00    | 50.80 |

TABLE - B

| ENTRY SIZE | W ±0.020 | W ±0.508 | Y +0.008 -0.000 | Y +0.200 -0.000 | Z MAX | Z MAX |
|------------|----------|----------|-----------------|-----------------|-------|-------|
|            | INCH     | MM       | INCH            | MM              | INCH  | MM    |
| 01         | 0.250    | 6.350    | 0.044           | 1.12            | 0.56  | 14.22 |
| 02         | 0.312    | 7.920    | 0.044           | 1.12            | 0.63  | 16.00 |
| 03         | 0.375    | 9.530    | 0.044           | 1.12            | 0.69  | 17.53 |
| 04         | 0.438    | 11.130   | 0.044           | 1.12            | 0.75  | 19.05 |
| 05         | 0.500    | 12.700   | 0.044           | 1.12            | 0.82  | 20.83 |
| 06         | 0.562    | 14.270   | 0.044           | 1.12            | 0.89  | 22.61 |
| 07         | 0.625    | 15.880   | 0.044           | 1.12            | 0.95  | 24.13 |
| 08         | 0.688    | 17.480   | 0.044           | 1.12            | 1.02  | 25.91 |
| 09         | 0.750    | 19.050   | 0.069           | 1.75            | 1.07  | 27.18 |
| 10         | 0.812    | 20.620   | 0.069           | 1.75            | 1.13  | 28.70 |
| 11         | 0.875    | 22.230   | 0.069           | 1.75            | 1.19  | 30.23 |
| 12         | 0.938    | 23.830   | 0.069           | 1.75            | 1.26  | 32.00 |
| 13         | 1.000    | 25.400   | 0.069           | 1.75            | 1.32  | 33.53 |
| 14         | 1.125    | 28.575   | 0.069           | 1.75            | 1.47  | 37.34 |

Note: For more cable entry and length options, email: sales@backshellworld.com  
All dimensions for reference only.

## Quick Clamp

Straight, 90° and 45° Self-Lock/Non Self-Lock

For Connector Family K

38999 Series II

38999 Series I

Connector Family "K", includes MIL-DTL-38999 Series II and Series I



**MIL Part Number**

**M85049 / 56 - 10 W**

MIL Series: M85049 / 56  
 Slash Sheet: 56: Straight, 63: 90°, 57: 45°  
 Finish: See Table-2 (pg. 486)  
 Dash Number: See Table-A  
 Coupling: S: Self-Lock (only for 90° and 45°), G: Self-Lock with grounding Lug (only for 90° and 45°), -: Non Self-Lock

**TABLE - A**

| MIL PART NUMBER DESIGNATOR | CONNECTOR SHELL SIZE SE - II / I | A DIA.(MAX) |       | B (MAX) |       | C (MAX) |       | D (MAX) |       | E (MAX) |       | F DIA.(MAX) |       | CABLE ENTRY MAX |       |
|----------------------------|----------------------------------|-------------|-------|---------|-------|---------|-------|---------|-------|---------|-------|-------------|-------|-----------------|-------|
|                            |                                  | INCH        | MM    | INCH    | MM    | INCH    | MM    | INCH    | MM    | INCH    | MM    | INCH        | MM    | INCH            | MM    |
| 8                          | 8 / 9                            | 0.66        | 16.69 | 0.95    | 24.23 | 1.23    | 31.29 | 0.73    | 18.54 | 1.22    | 30.99 | 0.89        | 22.48 | 0.26            | 6.60  |
| 10                         | 10 / 11                          | 0.78        | 19.86 | 0.95    | 24.23 | 1.23    | 31.29 | 0.73    | 18.54 | 1.29    | 32.77 | 1.01        | 25.65 | 0.37            | 9.27  |
| 12                         | 12 / 13                          | 0.94        | 23.80 | 0.95    | 24.23 | 1.23    | 31.29 | 0.73    | 18.54 | 1.62    | 41.15 | 1.14        | 28.83 | 0.50            | 12.73 |
| 14                         | 14 / 15                          | 1.05        | 26.67 | 1.20    | 30.58 | 1.23    | 31.29 | 0.73    | 18.54 | 1.66    | 42.16 | 1.26        | 32.00 | 0.58            | 14.61 |
| 16                         | 16 / 17                          | 1.24        | 31.47 | 1.20    | 30.58 | 1.23    | 31.29 | 0.73    | 18.54 | 1.72    | 43.69 | 1.39        | 35.18 | 0.70            | 17.78 |
| 18                         | 18 / 19                          | 1.38        | 35.00 | 1.20    | 30.58 | 1.23    | 31.29 | 0.73    | 18.54 | 1.72    | 43.69 | 1.51        | 38.35 | 0.78            | 19.79 |
| 20                         | 20 / 21                          | 1.50        | 38.10 | 1.31    | 33.27 | 1.48    | 37.64 | 0.75    | 19.05 | 1.79    | 45.47 | 1.64        | 41.53 | 0.90            | 22.96 |
| 22                         | 22 / 23                          | 1.63        | 41.43 | 1.43    | 36.32 | 1.48    | 37.64 | 0.75    | 19.05 | 1.85    | 46.99 | 1.76        | 44.70 | 1.03            | 26.14 |
| 24                         | 24 / 25                          | 1.75        | 44.45 | 1.56    | 39.62 | 1.48    | 37.64 | 0.75    | 19.05 | 1.91    | 48.51 | 1.89        | 47.88 | 1.14            | 29.06 |

Note: For more cable entry and length options, email: [sales@backshellworld.com](mailto:sales@backshellworld.com)  
 All dimensions for reference only.

38999

III

HD

Dualok

II

I

SJT

Accessories

Aquacon

Herm/Seal

PCB

Fiber

Optics

Contacts

High Speed

EMI Filter

Transient

Matrix 2

Matrix 1

Matrix 2

Matrix 1

Matrix 2

Matrix 1

Matrix 2

Matrix 1

Matrix 2

Matrix 1

Matrix 2

Matrix 1

Matrix 2

Matrix 1

Matrix 2

Matrix 1

Matrix 2

Matrix 1

Matrix 2

Matrix 1

Matrix 2

Matrix 1

Matrix 2

Matrix 1

Matrix 2

Matrix 1

Matrix 2

Matrix 1

Matrix 2

Matrix 1

Matrix 2

Matrix 1

Matrix 2

### For Connector Family K

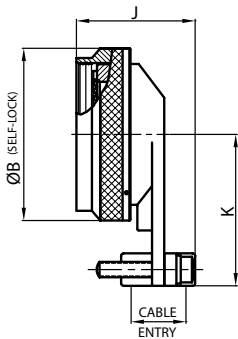
38999 Series II

38999 Series I

Connector Family "K", includes MIL-DTL-38999 Series II and Series I



STRAIGHT



90 DEGREE

#### MIL Part Number

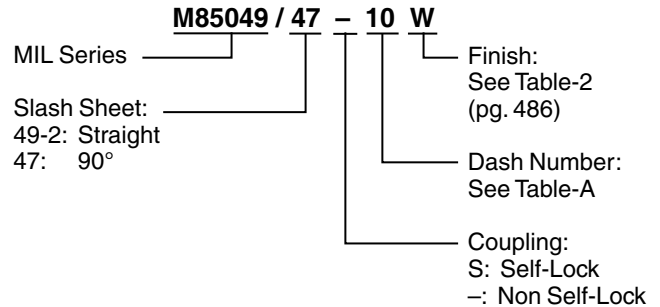


TABLE - A

| MIL PART NUMBER DESIGNATOR | CONNECTOR SHELL SIZE SE - II / I | A DIA.(MAX) |       | B DIA.(MAX) |       | C (MAX) |       | D (MAX) |       | E (MAX) |       | F (MAX) |       |
|----------------------------|----------------------------------|-------------|-------|-------------|-------|---------|-------|---------|-------|---------|-------|---------|-------|
|                            |                                  | INCH        | MM    | INCH        | MM    | INCH    | MM    | INCH    | MM    | INCH    | MM    | INCH    | MM    |
| 08                         | 8 / 9                            | 0.75        | 19.05 | 0.86        | 21.82 | 0.91    | 23.11 | 0.85    | 21.59 | 1.10    | 27.94 | 1.15    | 29.21 |
| 10                         | 10 / 11                          | 0.85        | 21.59 | 0.98        | 24.99 | 0.91    | 23.11 | 0.90    | 22.86 | 1.10    | 27.94 | 1.15    | 29.21 |
| 12                         | 12 / 13                          | 1.00        | 25.40 | 1.16        | 29.36 | 1.01    | 25.65 | 1.10    | 27.94 | 1.20    | 30.48 | 1.25    | 31.75 |
| 14                         | 14 / 15                          | 1.10        | 27.94 | 1.28        | 32.54 | 1.06    | 26.92 | 1.15    | 29.21 | 1.25    | 31.75 | 1.30    | 33.02 |
| 16                         | 16 / 17                          | 1.25        | 31.75 | 1.41        | 35.71 | 1.16    | 29.46 | 1.30    | 33.02 | 1.36    | 34.44 | 1.40    | 35.56 |
| 18                         | 18 / 19                          | 1.40        | 35.56 | 1.52        | 38.51 | 1.41    | 35.81 | 1.50    | 38.10 | 1.60    | 40.64 | 1.65    | 41.91 |
| 20                         | 20 / 21                          | 1.50        | 38.10 | 1.64        | 41.68 | 1.51    | 38.35 | 1.60    | 40.64 | 1.70    | 43.21 | 1.75    | 44.45 |
| 24                         | 22 / 23                          | 1.65        | 41.91 | 1.77        | 44.86 | 1.66    | 42.16 | 1.70    | 43.18 | 1.85    | 46.99 | 1.90    | 48.26 |
| 24                         | 24 / 25                          | 1.75        | 44.45 | 1.89        | 48.03 | 1.76    | 44.70 | 1.80    | 45.72 | 1.95    | 49.56 | 2.00    | 50.80 |

TABLE - A, cont.

| MIL PART NUMBER DESIGNATOR | CONNECTOR SHELL SIZE SE - II / I | J (MAX) |       | K (MAX) |       | CABLE ENTRY |       |      |       |
|----------------------------|----------------------------------|---------|-------|---------|-------|-------------|-------|------|-------|
|                            |                                  | INCH    | MM    | INCH    | MM    | MIN         |       | MAX  |       |
|                            |                                  |         |       |         |       | INCH        | MM    | INCH | MM    |
| 08                         | 8 / 9                            | 1.38    | 35.05 | 1.00    | 25.40 | 0.10        | 2.49  | 0.23 | 5.94  |
| 10                         | 10 / 11                          | 1.38    | 35.05 | 1.10    | 27.94 | 0.15        | 3.89  | 0.23 | 5.94  |
| 12                         | 12 / 13                          | 1.46    | 37.08 | 1.10    | 27.94 | 0.19        | 4.83  | 0.33 | 8.33  |
| 14                         | 14 / 15                          | 1.63    | 41.40 | 1.25    | 31.75 | 0.26        | 6.60  | 0.46 | 11.61 |
| 16                         | 16 / 17                          | 1.80    | 45.72 | 1.30    | 33.02 | 0.28        | 7.19  | 0.61 | 15.60 |
| 18                         | 18 / 19                          | 1.82    | 46.23 | 1.35    | 34.29 | 0.33        | 8.26  | 0.63 | 16.10 |
| 20                         | 20 / 21                          | 1.90    | 48.26 | 1.60    | 40.64 | 0.34        | 8.71  | 0.70 | 17.73 |
| 22                         | 22 / 23                          | 2.04    | 51.82 | 1.75    | 44.45 | 0.38        | 9.68  | 0.82 | 20.90 |
| 24                         | 24 / 25                          | 2.15    | 54.61 | 1.85    | 46.99 | 0.42        | 10.62 | 0.85 | 21.67 |

Note: For more cable entry and length options, email: [sales@backshellworld.com](mailto:sales@backshellworld.com)  
All dimensions for reference only.

38999

III

HD

Dualok

II

I

SJT

Accessories

Aquacon

Herm/Seal

PCB

High Speed

Fiber Optics

Contacts

EMI Filter

Transient

26482

Matrix 2

83723

III

Matrix | Pyle

26500

Pyle

5015

Crimp Rear Release

Matrix

22992

Class L

Back-Shells

Options

Others



## Strain Relief Clamp Straight, Self-Lock/Non Self-Lock

### For Connector Family K

38999 Series II

38999 Series I

Connector Family "K", includes MIL-DTL-38999 Series II and Series I



#### MIL Part Number



TABLE - A

| MIL PART NUMBER DESIGNATOR | CONNECTOR SHELL SIZE SE - II / I | A DIA.(MAX) |       | B LENGTH  |             | C (MAX) |       | D (MAX) |       | E (CLOSED) |       |
|----------------------------|----------------------------------|-------------|-------|-----------|-------------|---------|-------|---------|-------|------------|-------|
|                            |                                  | INCH        | MM    | INCH      | MM          | INCH    | MM    | INCH    | MM    | ±.031      | ±.787 |
| 08                         | 08                               | 0.86        | 21.79 | 0.77/0.51 | 19.56/12.95 | 1.01    | 25.65 | 0.88    | 22.35 | 0.22       | 5.56  |
| 10                         | 10                               | 0.98        | 24.99 | 0.89/0.64 | 22.61/16.26 | 1.13    | 28.70 | 0.94    | 23.88 | 0.26       | 6.71  |
| 12                         | 12                               | 1.16        | 29.39 | 1.01/0.76 | 25.65/19.30 | 1.25    | 31.75 | 1.12    | 28.45 | 0.34       | 8.74  |
| 14                         | 14                               | 1.28        | 32.49 | 1.01/0.76 | 25.65/19.30 | 1.25    | 31.75 | 1.19    | 30.23 | 0.46       | 11.68 |
| 16                         | 16                               | 1.41        | 35.71 | 1.13/0.88 | 28.70/22.35 | 1.37    | 34.80 | 1.44    | 36.58 | 0.55       | 13.84 |
| 18                         | 18                               | 1.52        | 38.51 | 1.38/1.13 | 35.05/28.70 | 1.62    | 41.15 | 1.56    | 39.62 | 0.62       | 15.62 |
| 20                         | 20                               | 1.64        | 41.71 | 1.51/1.25 | 38.35/31.75 | 1.75    | 44.45 | 1.69    | 42.93 | 0.69       | 17.53 |
| 22                         | 22                               | 1.77        | 44.91 | 1.62/1.38 | 41.15/35.05 | 1.87    | 47.50 | 1.75    | 44.45 | 0.78       | 19.81 |
| 24                         | 24                               | 1.87        | 47.47 | 1.76/1.51 | 44.70/38.35 | 2.00    | 50.80 | 1.88    | 47.75 | 0.85       | 21.59 |

Note: For more cable entry and length options, email: [sales@backshellworld.com](mailto:sales@backshellworld.com)  
All dimensions for reference only.

38999

III

HD

Dualok

II

I

SJT

Accessories

Aquacon

Herm/Seal

PCB

Fiber

Optics

High Speed

Contacts

EMI Filter

Transient

Matrix 2

26482

Matrix 1 Pyle

III

83723

Pyle

26500

Crimp Rear Release Matrix

5015

Class 1

22992

Back-

Shells

Options

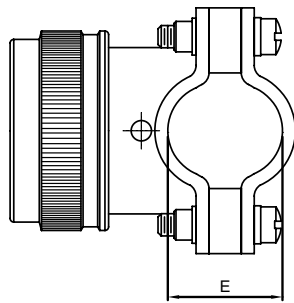
Others

### For Connector Family K

38999 Series II

38999 Series I

Connector Family "K", includes MIL-DTL-38999 Series II and Series I



90 DEGREE

#### MIL Part Number

MIL Series: **M85049 / 123**  
 Slash Sheet: **123: 90°**  
 Dash Number: **10**  
 Coupling: **W**  
 Finish: See Table-2 (pg. 486)  
 Dash Number: See Table-A  
 Coupling: S: Self-Lock, -: Non Self-Lock

| MIL PART NUMBER DESIGNATOR | CONNECTOR SHELL SIZE SE - II/I | A DIA.(MAX) |       | B (MAX) |       | C (MAX) |       | D (MAX) |       | E (CLOSED) |       |
|----------------------------|--------------------------------|-------------|-------|---------|-------|---------|-------|---------|-------|------------|-------|
|                            |                                | INCH        | MM    | INCH    | MM    | INCH    | MM    | INCH    | MM    | ±.031      | ±.787 |
| DASH NO                    |                                |             |       |         |       |         |       |         |       |            |       |
| 08                         | 08                             | 0.86        | 21.79 | 0.86    | 21.84 | 1.10    | 27.94 | 0.81    | 20.57 | 0.22       | 5.56  |
| 10                         | 10                             | 0.98        | 24.99 | 0.94    | 23.88 | 1.18    | 29.97 | 0.87    | 22.10 | 0.26       | 6.71  |
| 12                         | 12                             | 1.16        | 29.39 | 1.14    | 28.96 | 1.38    | 35.05 | 0.93    | 23.62 | 0.34       | 8.74  |
| 14                         | 14                             | 1.28        | 32.49 | 1.20    | 30.48 | 1.44    | 36.58 | 0.99    | 25.15 | 0.46       | 11.68 |
| 16                         | 16                             | 1.41        | 35.71 | 1.34    | 34.04 | 1.58    | 40.13 | 1.06    | 26.92 | 0.55       | 13.84 |
| 18                         | 18                             | 1.52        | 38.51 | 1.46    | 37.08 | 1.70    | 43.18 | 1.23    | 31.24 | 0.62       | 15.62 |
| 20                         | 20                             | 1.64        | 41.71 | 1.58    | 40.13 | 1.82    | 46.23 | 1.30    | 33.02 | 0.70       | 17.73 |
| 22                         | 22                             | 1.77        | 44.91 | 1.71    | 43.43 | 1.95    | 49.53 | 1.36    | 34.54 | 0.78       | 19.81 |
| 24                         | 24                             | 1.87        | 47.47 | 1.83    | 46.48 | 2.07    | 52.58 | 1.42    | 36.07 | 0.85       | 21.59 |

Note: For more cable entry and length options, email: [sales@backshellworld.com](mailto:sales@backshellworld.com)  
 All dimensions for reference only.

38999

III

HD

Dualok

II

I

SJT

Accessories

Aquacon

Herm/Seal

PCB

High Speed  
Fiber Optics  
Contacts

EMI Filter  
Transient

26482  
Matrix 2

83723  
III  
Matrix | Pyle

26500  
Pyle

5015  
Crimp Rear Release  
Matrix

22992  
Class L

Back-Shell

Options  
Others

## Grommet Nut Straight, Self-Lock/Non Self-Lock

### For Connector Family K

38999 Series II

38999 Series I

Connector Family "K", includes MIL-DTL-38999 Series II and Series I



#### MIL Part Number



Note: \* Slot shown in figure is optional for Non Self-Lock

| MIL PART NUMBER DESIGNATOR | CONNECTOR SHELL SIZE SE - II / I | A DIA. (MAX) |       | B DIA. (MAX) |       | C (MAX) |       | D (MAX) |       | E DIA. (MAX) |       |
|----------------------------|----------------------------------|--------------|-------|--------------|-------|---------|-------|---------|-------|--------------|-------|
|                            |                                  | INCH         | MM    | INCH         | MM    | INCH    | MM    | INCH    | MM    | INCH         | MM    |
| DASH NO. 08                | 8 / 9                            | 0.75         | 19.05 | 0.86         | 21.82 | 0.54    | 13.72 | 0.59    | 14.99 | 0.27         | 6.86  |
| 10                         | 10 / 11                          | 0.85         | 21.59 | 0.98         | 24.99 | 0.54    | 13.72 | 0.59    | 14.99 | 0.41         | 10.41 |
| 12                         | 12 / 13                          | 1.00         | 25.40 | 1.16         | 29.36 | 0.54    | 13.72 | 0.59    | 14.99 | 0.53         | 13.46 |
| 14                         | 14 / 15                          | 1.10         | 27.94 | 1.28         | 32.54 | 0.54    | 13.72 | 0.59    | 14.99 | 0.65         | 16.51 |
| 16                         | 16 / 17                          | 1.25         | 31.75 | 1.41         | 35.71 | 0.54    | 13.72 | 0.59    | 14.99 | 0.78         | 19.81 |
| 18                         | 18 / 19                          | 1.40         | 35.56 | 1.52         | 38.51 | 0.54    | 13.72 | 0.59    | 14.99 | 0.88         | 22.35 |
| 20                         | 20 / 21                          | 1.50         | 38.10 | 1.64         | 41.68 | 0.54    | 13.72 | 0.59    | 14.99 | 1.01         | 25.65 |
| 22                         | 22 / 23                          | 1.65         | 41.91 | 1.77         | 44.86 | 0.54    | 13.72 | 0.59    | 14.99 | 1.13         | 28.70 |
| 24                         | 24 / 25                          | 1.75         | 44.45 | 1.89         | 48.03 | 0.54    | 13.72 | 0.59    | 14.99 | 1.26         | 32.00 |

Note: For more cable entry and length options, email: sales@backshellworld.com  
All dimensions for reference only.

38999

III

HD

Dualok

II

I

SJT

Accessories

Aquacon

Herm/Seal

PCB

Fiber

Optics

High Speed

Contacts

EMI Filter

Transient

Matrix 2

26482

83723

III

Matrix / Pyle

26500

Pyle

5015

Crimp Rear Release Matrix

22992

Class I

Back-

Shells

Options

Others

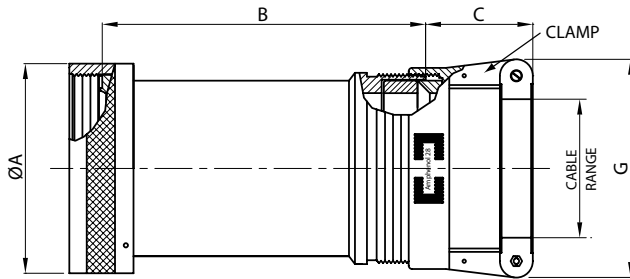
### For Connector Family J

26482 Matrix Series 2

5015 Matrix (MS345X)

83723 Matrix & Pyle Series III

Connector Family "J", includes:  
MIL-DTL-26482 Series 2,  
MIL-DTL-5015 Matrix (MS345X)  
MIL-DTL-83723 Series III



**MIL Part Number**  
**M85049 / 11 -10 W**

MIL Series: M85049  
Slash Sheet: 11: Straight, Spin Coupling  
Finish: See Table-2 (pg. 486)  
Dash Number: See Table-A

| MIL PART NUMBER DESIGNATOR |         | CONNECTOR SHELL SIZE | A DIA. (MAX) |       | B (MAX) |       | C (REF) L MAX |       | G (MAX) L MAX |       | CABLE RANGE |       |          |       |
|----------------------------|---------|----------------------|--------------|-------|---------|-------|---------------|-------|---------------|-------|-------------|-------|----------|-------|
| SHELL SIZE                 | DASH NO |                      | INCH         | MM    | INCH    | MM    | INCH          | MM    | INCH          | MM    | MIN WIRE    |       | MAX WIRE |       |
|                            |         |                      |              |       |         |       |               |       |               |       | INCH        | MM    | INCH     | MM    |
| 08                         | 05      | 8                    | 0.62         | 15.67 | 2.13    | 54.10 | 1.03          | 26.09 | 0.96          | 24.31 | 0.13        | 3.18  | 0.25     | 6.35  |
|                            | 06      |                      | 0.62         | 15.67 | 3.13    | 79.50 | 1.03          | 26.09 | 0.96          | 24.31 | 0.13        | 3.18  | 0.25     | 6.35  |
|                            | 07*     |                      | 0.62         | 15.67 | 2.88    | 73.15 | 1.03          | 26.09 | 1.15          | 29.08 | 0.25        | 6.35  | 0.44     | 11.10 |
|                            | 08*     |                      | 0.62         | 15.67 | 3.88    | 98.55 | 1.03          | 26.09 | 1.15          | 29.08 | 0.25        | 6.35  | 0.44     | 11.10 |
| 10                         | 09      | 10                   | 0.73         | 18.64 | 2.13    | 54.10 | 1.03          | 26.09 | 0.96          | 24.31 | 0.13        | 3.18  | 0.31     | 7.92  |
|                            | 10      |                      | 0.73         | 18.64 | 3.13    | 79.50 | 1.03          | 26.09 | 0.96          | 24.31 | 0.13        | 3.18  | 0.31     | 7.92  |
|                            | 11*     |                      | 0.73         | 18.64 | 2.88    | 73.15 | 1.03          | 26.09 | 1.15          | 29.08 | 0.25        | 6.35  | 0.44     | 11.10 |
|                            | 12*     |                      | 0.73         | 18.64 | 3.88    | 98.55 | 1.03          | 26.09 | 1.15          | 29.08 | 0.25        | 6.35  | 0.44     | 11.10 |
|                            | 136     |                      | 0.73         | 18.64 | 2.13    | 54.10 | 1.03          | 26.09 | 1.15          | 29.08 | 0.25        | 6.35  | 0.38     | 9.53  |
|                            | 137     |                      | 0.73         | 18.64 | 3.13    | 79.50 | 1.03          | 26.09 | 1.15          | 29.08 | 0.25        | 6.35  | 0.38     | 9.53  |
| 12                         | 13      | 7/12                 | 0.86         | 21.79 | 2.13    | 54.10 | 1.03          | 26.09 | 1.15          | 29.08 | 0.25        | 6.35  | 0.44     | 11.10 |
|                            | 14      |                      | 0.86         | 21.79 | 3.13    | 79.50 | 1.03          | 26.09 | 1.15          | 29.08 | 0.25        | 6.35  | 0.44     | 11.10 |
|                            | 15*     |                      | 0.86         | 21.79 | 2.88    | 73.15 | 1.03          | 26.09 | 1.33          | 33.83 | 0.35        | 8.89  | 0.63     | 15.88 |
|                            | 16*     |                      | 0.86         | 21.79 | 3.88    | 98.55 | 1.03          | 26.09 | 1.33          | 33.83 | 0.35        | 8.89  | 0.63     | 15.88 |
|                            | 111     |                      | 0.86         | 21.79 | 2.13    | 54.10 | 1.03          | 26.09 | 1.33          | 33.83 | 0.35        | 8.89  | 0.50     | 12.70 |
|                            | 114     |                      | 0.86         | 21.79 | 2.13    | 54.10 | 1.03          | 26.09 | 0.96          | 24.31 | 0.13        | 3.18  | 0.31     | 7.92  |
|                            | 115     |                      | 0.86         | 21.79 | 3.13    | 79.50 | 1.03          | 26.09 | 0.96          | 24.31 | 0.13        | 3.18  | 0.31     | 7.92  |
|                            | 138     |                      | 0.86         | 21.79 | 2.13    | 54.10 | 1.03          | 26.09 | 1.33          | 33.83 | 0.35        | 8.89  | 0.50     | 12.70 |
|                            | 139     |                      | 0.86         | 21.79 | 3.13    | 79.50 | 1.03          | 26.09 | 1.33          | 33.83 | 0.35        | 8.89  | 0.50     | 12.70 |
| 14                         | 17      | 12/14                | 0.98         | 24.99 | 2.13    | 54.10 | 1.03          | 26.09 | 1.33          | 33.83 | 0.35        | 8.89  | 0.58     | 14.61 |
|                            | 18      |                      | 0.98         | 24.99 | 3.13    | 79.50 | 1.03          | 26.09 | 1.33          | 33.83 | 0.35        | 8.89  | 0.58     | 14.61 |
|                            | 19*     |                      | 0.98         | 24.99 | 2.88    | 73.15 | 1.06          | 26.90 | 1.55          | 39.40 | 0.50        | 12.70 | 0.75     | 19.05 |
|                            | 20*     |                      | 0.98         | 24.99 | 3.88    | 98.55 | 1.06          | 26.90 | 1.55          | 39.40 | 0.50        | 12.70 | 0.75     | 19.05 |
|                            | 116     |                      | 0.98         | 24.99 | 2.13    | 54.10 | 1.03          | 26.09 | 1.15          | 29.08 | 0.25        | 6.35  | 0.44     | 11.10 |
|                            | 117     |                      | 0.98         | 24.99 | 3.13    | 79.50 | 1.03          | 26.09 | 1.15          | 29.08 | 0.25        | 6.35  | 0.44     | 11.10 |
|                            | 150     |                      | 0.98         | 24.99 | 2.13    | 54.10 | 1.03          | 26.09 | 0.96          | 24.31 | 0.13        | 3.18  | 0.31     | 7.92  |
|                            | 151     |                      | 0.98         | 24.99 | 3.13    | 79.50 | 1.03          | 26.09 | 0.96          | 24.31 | 0.13        | 3.18  | 0.31     | 7.92  |
| 16                         | 21      | 19/16                | 1.11         | 28.24 | 2.13    | 54.10 | 1.06          | 26.90 | 1.55          | 39.40 | 0.50        | 12.70 | 0.70     | 17.78 |
|                            | 22      |                      | 1.11         | 28.24 | 3.13    | 79.50 | 1.06          | 26.90 | 1.55          | 39.40 | 0.50        | 12.70 | 0.70     | 17.78 |
|                            | 23*     |                      | 1.11         | 28.24 | 2.88    | 73.15 | 1.16          | 29.36 | 1.77          | 44.96 | 0.63        | 15.88 | 0.94     | 23.80 |
|                            | 24*     |                      | 1.11         | 28.24 | 3.88    | 98.55 | 1.16          | 29.36 | 1.77          | 44.96 | 0.63        | 15.88 | 0.94     | 23.80 |
|                            | 112     |                      | 1.11         | 28.24 | 2.13    | 54.10 | 1.03          | 26.09 | 1.15          | 29.08 | 0.25        | 6.35  | 0.44     | 11.10 |
|                            | 113     |                      | 1.11         | 28.24 | 3.13    | 79.50 | 1.03          | 26.09 | 1.15          | 29.08 | 0.25        | 6.35  | 0.44     | 11.10 |

\* Denotes Style-2 (see page 486)

For more cable entry and length options see page 486 or email: sales@backshellworld.com

All dimensions for reference only.

TABLE CONTINUES ON NEXT PAGE

# Environmental Backshell

## Straight, Spin Coupling, cont.



### For Connector Family J

26482 Matrix Series 2

5015 Matrix (MS345X)

Connector Family "J", includes:  
MIL-DTL-26482 Series 2,  
MIL-DTL-5015 Matrix (MS345X)  
MIL-DTL-83723 Series III

83723 Matrix & Pyle Series III

TABLE - A

| MIL PART NUMBER DESIGNATOR |         | CONNECTOR SHELL SIZE | A DIA. (MAX) |       | B (MAX) |        | C (REF) L MAX |        | G (MAX) L MAX |       | CABLE RANGE |       |          |       |      |       |
|----------------------------|---------|----------------------|--------------|-------|---------|--------|---------------|--------|---------------|-------|-------------|-------|----------|-------|------|-------|
| SHELL SIZE                 | DASH NO |                      | INCH         | MM    | INCH    | MM     | INCH          | MM     | INCH          | MM    | MIN WIRE    |       | MAX WIRE |       |      |       |
|                            |         |                      |              |       |         |        |               |        |               |       | INCH        | MM    | INCH     | MM    |      |       |
| 16, cont.                  | 118     | 19/16                | 1.11         | 28.24 | 2.13    | 54.10  | 1.03          | 26.09  | 1.33          | 33.83 | 0.35        | 8.89  | 0.63     | 15.88 |      |       |
|                            | 119     |                      | 1.11         | 28.24 | 3.13    | 79.50  | 1.03          | 26.09  | 1.33          | 33.83 | 0.35        | 8.89  | 0.63     | 15.88 |      |       |
|                            | 152     |                      | 1.11         | 28.24 | 2.13    | 54.10  | 1.03          | 26.09  | 0.96          | 24.31 | 0.13        | 3.18  | 0.31     | 7.92  |      |       |
|                            | 153     |                      | 1.11         | 28.24 | 3.13    | 79.50  | 1.03          | 26.09  | 0.96          | 24.31 | 0.13        | 3.18  | 0.31     | 7.92  |      |       |
| 18                         | 25      | 27/18                | 1.22         | 30.94 | 2.13    | 54.10  | 1.03          | 26.09  | 1.33          | 33.83 | 0.35        | 8.89  | 0.63     | 15.88 |      |       |
|                            | 26      |                      | 1.22         | 30.94 | 3.13    | 79.50  | 1.03          | 26.09  | 1.33          | 33.83 | 0.35        | 8.89  | 0.63     | 15.88 |      |       |
|                            | 27      |                      | 1.22         | 30.94 | 2.13    | 54.10  | 1.06          | 26.90  | 1.55          | 39.40 | 0.50        | 12.70 | 0.75     | 19.05 |      |       |
|                            | 28      |                      | 1.22         | 30.94 | 3.13    | 79.50  | 1.06          | 26.90  | 1.55          | 39.40 | 0.50        | 12.70 | 0.75     | 19.05 |      |       |
|                            | 29*     |                      | 1.22         | 30.94 | 2.88    | 73.15  | 1.16          | 29.36  | 1.77          | 44.96 | 0.63        | 15.88 | 0.94     | 23.80 |      |       |
|                            | 30*     |                      | 1.22         | 30.94 | 3.88    | 98.55  | 1.16          | 29.36  | 1.77          | 44.96 | 0.63        | 15.88 | 0.94     | 23.80 |      |       |
|                            | 120     |                      | 1.22         | 30.94 | 2.13    | 54.10  | 1.03          | 26.09  | 0.96          | 24.31 | 0.13        | 3.18  | 0.31     | 7.92  |      |       |
|                            | 121     |                      | 1.22         | 30.94 | 3.13    | 79.50  | 1.03          | 26.09  | 0.96          | 24.31 | 0.13        | 3.18  | 0.31     | 7.92  |      |       |
|                            | 122     |                      | 1.22         | 30.94 | 2.13    | 54.10  | 1.03          | 26.09  | 1.15          | 29.08 | 0.25        | 6.35  | 0.44     | 11.10 |      |       |
|                            | 123     |                      | 1.22         | 30.94 | 3.13    | 79.50  | 1.03          | 26.09  | 1.15          | 29.08 | 0.25        | 6.35  | 0.44     | 11.10 |      |       |
| 20                         | 31      | 37/20                | 1.35         | 34.16 | 3.13    | 79.50  | 1.03          | 26.09  | 1.33          | 33.83 | 0.35        | 8.89  | 0.63     | 15.88 |      |       |
|                            | 32      |                      | 1.35         | 34.16 | 4.13    | 104.90 | 1.03          | 26.09  | 1.33          | 33.83 | 0.35        | 8.89  | 0.63     | 15.88 |      |       |
|                            | 33      |                      | 1.35         | 34.16 | 3.13    | 79.50  | 1.06          | 26.90  | 1.55          | 39.40 | 0.50        | 12.70 | 0.75     | 19.05 |      |       |
|                            | 34      |                      | 1.35         | 34.16 | 4.13    | 104.90 | 1.06          | 26.90  | 1.55          | 39.40 | 0.50        | 12.70 | 0.75     | 19.05 |      |       |
|                            | 35*     |                      | 1.35         | 34.16 | 3.88    | 98.55  | 1.16          | 29.36  | 1.77          | 44.96 | 0.63        | 15.88 | 0.94     | 23.80 |      |       |
|                            | 36*     |                      | 1.35         | 34.16 | 4.88    | 123.95 | 1.16          | 29.36  | 1.77          | 44.96 | 0.63        | 15.88 | 0.94     | 23.80 |      |       |
|                            | 37*     |                      | 1.35         | 34.16 | 3.88    | 98.55  | 1.38          | 34.93  | 2.11          | 53.67 | 0.88        | 22.23 | 1.25     | 31.75 |      |       |
|                            | 38*     |                      | 1.35         | 34.16 | 4.88    | 123.95 | 1.38          | 34.93  | 2.11          | 53.67 | 0.88        | 22.23 | 1.25     | 31.75 |      |       |
|                            | 124     |                      | 1.35         | 34.16 | 3.13    | 79.50  | 1.03          | 26.09  | 1.15          | 29.08 | 0.25        | 6.35  | 0.44     | 11.10 |      |       |
|                            | 125     |                      | 1.35         | 34.16 | 4.13    | 104.90 | 1.03          | 26.09  | 1.15          | 29.08 | 0.25        | 6.35  | 0.44     | 11.10 |      |       |
|                            | 140     |                      | 1.35         | 34.16 | 3.13    | 79.50  | 1.16          | 29.36  | 1.77          | 44.96 | 0.63        | 15.88 | 0.90     | 22.96 |      |       |
|                            | 141     |                      | 1.35         | 34.16 | 4.13    | 104.90 | 1.16          | 29.36  | 1.77          | 44.96 | 0.63        | 15.88 | 0.90     | 22.96 |      |       |
|                            | 22      |                      | 39           | 22    | 1.47    | 37.29  | 3.13          | 79.50  | 1.03          | 26.09 | 1.33        | 33.83 | 0.35     | 8.89  | 0.63 | 15.88 |
| 40                         |         | 1.47                 | 37.29        |       | 4.13    | 104.90 | 1.03          | 26.09  | 1.33          | 33.83 | 0.35        | 8.89  | 0.63     | 15.88 |      |       |
| 41                         |         | 1.47                 | 37.29        |       | 3.13    | 79.50  | 1.06          | 26.90  | 1.55          | 39.40 | 0.50        | 12.70 | 0.75     | 19.05 |      |       |
| 42                         |         | 1.47                 | 37.29        |       | 4.13    | 104.90 | 1.06          | 26.90  | 1.55          | 39.40 | 0.50        | 12.70 | 0.75     | 19.05 |      |       |
| 43                         |         | 1.47                 | 37.29        |       | 3.13    | 79.50  | 1.16          | 29.36  | 1.77          | 44.96 | 0.63        | 15.88 | 0.94     | 23.80 |      |       |
| 44                         |         | 1.47                 | 37.29        |       | 4.13    | 104.90 | 1.16          | 29.36  | 1.77          | 44.96 | 0.63        | 15.88 | 0.94     | 23.80 |      |       |
| 45*                        |         | 1.47                 | 37.29        |       | 3.88    | 98.55  | 1.38          | 34.93  | 2.11          | 53.67 | 0.88        | 22.23 | 1.25     | 31.75 |      |       |
| 46*                        |         | 1.47                 | 37.29        |       | 4.88    | 123.95 | 1.38          | 34.93  | 2.11          | 53.67 | 0.88        | 22.23 | 1.25     | 31.75 |      |       |
| 126                        |         | 1.47                 | 37.29        |       | 3.13    | 79.50  | 1.03          | 26.09  | 0.96          | 24.31 | 0.13        | 3.18  | 0.31     | 7.92  |      |       |
| 127                        |         | 1.47                 | 37.29        |       | 4.13    | 104.90 | 1.03          | 26.09  | 0.96          | 24.31 | 0.13        | 3.18  | 0.31     | 7.92  |      |       |
| 128                        |         | 1.47                 | 37.29        |       | 3.13    | 79.50  | 1.03          | 26.09  | 1.15          | 29.08 | 0.25        | 6.35  | 0.44     | 11.10 |      |       |
| 129                        |         | 1.47                 | 37.29        |       | 4.13    | 104.90 | 1.03          | 26.09  | 1.15          | 29.08 | 0.25        | 6.35  | 0.44     | 11.10 |      |       |
| 142                        |         | 1.47                 | 37.29        |       | 3.13    | 79.50  | 1.38          | 34.93  | 2.11          | 53.67 | 0.88        | 22.23 | 1.03     | 26.14 |      |       |
| 143                        |         | 1.47                 | 37.29        |       | 4.13    | 104.90 | 1.38          | 34.93  | 2.11          | 53.67 | 0.88        | 22.23 | 1.03     | 26.14 |      |       |
| 24                         | 47      | 24                   | 1.59         | 40.46 | 3.13    | 79.50  | 1.06          | 26.90  | 1.55          | 39.40 | 0.50        | 12.70 | 0.75     | 19.05 |      |       |
|                            | 48      |                      | 1.59         | 40.46 | 4.13    | 104.90 | 1.06          | 26.90  | 1.55          | 39.40 | 0.50        | 12.70 | 0.75     | 19.05 |      |       |
|                            | 49      |                      | 1.59         | 40.46 | 3.13    | 79.50  | 1.16          | 29.36  | 1.77          | 44.96 | 0.63        | 15.88 | 0.81     | 20.62 |      |       |
|                            | 50      |                      | 1.59         | 40.46 | 4.13    | 104.90 | 1.16          | 29.36  | 1.77          | 44.96 | 0.63        | 15.88 | 0.81     | 20.62 |      |       |
|                            | 51      |                      | 1.59         | 40.46 | 3.13    | 79.50  | 1.16          | 29.36  | 1.77          | 44.96 | 0.63        | 15.88 | 0.94     | 23.80 |      |       |
|                            | 52      |                      | 1.59         | 40.46 | 4.13    | 104.90 | 1.16          | 29.36  | 1.77          | 44.96 | 0.63        | 15.88 | 0.94     | 23.80 |      |       |
|                            | 53*     |                      | 1.59         | 40.46 | 3.88    | 98.55  | 1.38          | 34.93  | 2.11          | 53.67 | 0.88        | 22.23 | 1.25     | 31.75 |      |       |
|                            | 54*     |                      | 1.59         | 40.46 | 4.88    | 123.95 | 1.38          | 34.93  | 2.11          | 53.67 | 0.88        | 22.23 | 1.25     | 31.75 |      |       |
|                            | 130     |                      | 1.59         | 40.46 | 3.13    | 79.50  | 1.03          | 26.09  | 1.33          | 33.83 | 0.35        | 8.89  | 0.63     | 15.88 |      |       |
|                            | 131     |                      | 1.59         | 40.46 | 4.13    | 104.90 | 1.03          | 26.09  | 1.33          | 33.83 | 0.35        | 8.89  | 0.63     | 15.88 |      |       |
|                            | 144     |                      | 1.59         | 40.46 | 3.13    | 79.50  | 1.38          | 34.93  | 2.11          | 53.67 | 0.88        | 22.23 | 1.14     | 29.06 |      |       |
|                            | 145     |                      | 1.59         | 40.46 | 4.13    | 104.90 | 1.38          | 34.93  | 2.11          | 53.67 | 0.88        | 22.23 | 1.14     | 29.06 |      |       |
|                            | 28      |                      | 55           | 28    | 1.97    | 50.01  | 3.13          | 79.50  | 1.06          | 26.90 | 1.55        | 39.40 | 0.50     | 12.70 | 0.75 | 19.05 |
|                            |         |                      | 56           |       | 1.97    | 50.01  | 4.13          | 104.90 | 1.06          | 26.90 | 1.55        | 39.40 | 0.50     | 12.70 | 0.75 | 19.05 |
| 57                         |         | 1.97                 | 50.01        |       | 3.13    | 79.50  | 1.16          | 29.36  | 1.77          | 44.96 | 0.63        | 15.88 | 0.94     | 23.80 |      |       |
| 58                         |         | 1.97                 | 50.01        |       | 4.13    | 104.90 | 1.16          | 29.36  | 1.77          | 44.96 | 0.63        | 15.88 | 0.94     | 23.80 |      |       |

TABLE CONTINUES ON NEXT PAGE

\* Denotes Style-2 (see page 486). For more cable entry and length options see page 486 or email: sales@backshellworld.com. All dimensions for reference only.

38999

- III
- HD
- Dualok
- II
- I
- SJT
- Accessories
- Aquacon
- Herm/Seal
- PCB

- Fiber Optics
- High Speed
- Contacts

- EMI Filter
- Transient

- Matrix 2
- 26482

- Matrix | Pyle
- III
- 83723

- Pyle
- 26500

- Crimp Rear Release Matrix
- 5015

- Class I
- 22992

- Back-Shells

- Options
- Others

### For Connector Family J

**26482 Matrix Series 2**

**5015 Matrix (MS345X)**

**83723 Matrix & Pyle Series III**

Connector Family "J", includes:  
MIL-DTL-26482 Series 2,  
MIL-DTL-5015 Matrix (MS345X)  
MIL-DTL-83723 Series III

38999

- III
- HD
- Dualok
- II
- I
- SJT
- Accessories
- Aquacon
- Herm/Seal
- PCB

- High Speed
- Fiber Optics
- Contacts

- EMI Filter Transient

- 26482 Matrix 2

- 83723 III Matrix | Pyle

- 26500 Pyle

- 5015 Crimp Rear Release Matrix

- 22992 Class L

- Back-Shells

- Options Others

| MIL PART NUMBER DESIGNATOR |         | CONNECTOR SHELL SIZE | TABLE - A    |        |         |        |               |       |               |        |             |          |      |       |
|----------------------------|---------|----------------------|--------------|--------|---------|--------|---------------|-------|---------------|--------|-------------|----------|------|-------|
|                            |         |                      | A DIA. (MAX) |        | B (MAX) |        | C (REF) L MAX |       | G (MAX) L MAX |        | CABLE RANGE |          |      |       |
|                            |         |                      | INCH         | MM     | INCH    | MM     | INCH          | MM    | INCH          | MM     | MIN WIRE    | MAX WIRE | INCH | MM    |
| SHELL SIZE                 | DASH NO | 28                   | 1.97         | 50.01  | 3.13    | 79.50  | 1.38          | 34.93 | 2.11          | 53.67  | 0.88        | 22.23    | 1.25 | 31.75 |
| 59                         | 60      |                      | 1.97         | 50.01  | 4.13    | 104.90 | 1.38          | 34.93 | 2.11          | 53.67  | 0.88        | 22.23    | 1.25 | 31.75 |
| 61                         | 62      |                      | 1.97         | 50.01  | 3.13    | 79.50  | 1.50          | 38.10 | 23.63         | 600.20 | 1.00        | 25.40    | 1.38 | 34.93 |
| 62                         | 63      |                      | 1.97         | 50.01  | 4.13    | 104.90 | 1.50          | 38.10 | 2.36          | 60.02  | 1.00        | 25.40    | 1.38 | 34.93 |
| 32                         | 64      | 32                   | 2.22         | 56.36  | 3.13    | 79.50  | 1.16          | 29.36 | 1.77          | 44.96  | 0.63        | 15.88    | 0.94 | 23.80 |
|                            | 65      |                      | 2.22         | 56.36  | 4.13    | 104.90 | 1.16          | 29.36 | 1.77          | 44.96  | 0.63        | 15.88    | 0.94 | 23.80 |
|                            | 66      |                      | 2.22         | 56.36  | 3.13    | 79.50  | 1.38          | 34.93 | 2.11          | 53.67  | 0.88        | 22.23    | 1.25 | 31.75 |
|                            | 67      |                      | 2.22         | 56.36  | 4.13    | 104.90 | 1.38          | 34.93 | 2.11          | 53.67  | 0.88        | 22.23    | 1.25 | 31.75 |
|                            | 68      |                      | 2.22         | 56.36  | 3.13    | 79.50  | 1.50          | 38.10 | 2.36          | 60.02  | 1.00        | 25.40    | 1.38 | 34.93 |
|                            | 69      |                      | 2.22         | 56.36  | 4.13    | 104.90 | 1.50          | 38.10 | 2.36          | 60.02  | 1.00        | 25.40    | 1.38 | 34.93 |
|                            | 70      |                      | 2.22         | 56.36  | 3.13    | 79.50  | 1.78          | 45.24 | 2.77          | 70.36  | 1.25        | 31.75    | 1.63 | 41.28 |
|                            | 71      |                      | 2.22         | 56.36  | 4.13    | 104.90 | 1.78          | 45.24 | 2.77          | 70.36  | 1.25        | 31.75    | 1.63 | 41.28 |
|                            | 72      |                      | 2.47         | 62.71  | 4.13    | 104.90 | 1.38          | 34.93 | 2.11          | 53.67  | 0.88        | 22.23    | 1.25 | 31.75 |
|                            | 73      |                      | 2.47         | 62.71  | 5.13    | 130.30 | 1.38          | 34.93 | 2.11          | 53.67  | 0.88        | 22.23    | 1.25 | 31.75 |
| 36                         | 74      | 36                   | 2.47         | 62.71  | 4.13    | 104.90 | 1.50          | 38.10 | 2.36          | 60.02  | 1.00        | 25.40    | 1.38 | 34.93 |
|                            | 75      |                      | 2.47         | 62.71  | 5.13    | 130.30 | 1.50          | 38.10 | 2.36          | 60.02  | 1.00        | 25.40    | 1.38 | 34.93 |
|                            | 76      |                      | 2.47         | 62.71  | 4.13    | 104.90 | 1.78          | 45.24 | 2.77          | 70.36  | 1.25        | 31.75    | 1.63 | 41.28 |
|                            | 77*     |                      | 2.47         | 62.71  | 5.13    | 130.30 | 1.78          | 45.24 | 2.77          | 70.36  | 1.25        | 31.75    | 1.63 | 41.28 |
|                            | 78*     |                      | 2.47         | 62.71  | 5.01    | 127.25 | 1.83          | 46.48 | 3.02          | 76.71  | 1.44        | 36.50    | 1.88 | 47.63 |
|                            | 132     |                      | 2.47         | 62.71  | 6.01    | 152.65 | 1.83          | 46.48 | 3.02          | 76.71  | 1.44        | 36.50    | 1.88 | 47.63 |
|                            | 133     |                      | 2.47         | 62.71  | 4.13    | 104.90 | 1.06          | 26.90 | 1.55          | 39.40  | 0.50        | 12.70    | 0.75 | 19.05 |
|                            | 146     |                      | 2.47         | 62.71  | 5.13    | 130.30 | 1.06          | 26.90 | 1.55          | 39.40  | 0.50        | 12.70    | 0.75 | 19.05 |
|                            | 147     |                      | 2.47         | 62.71  | 4.13    | 104.90 | 1.83          | 46.48 | 3.02          | 76.71  | 1.44        | 36.50    | 1.84 | 46.74 |
|                            | 148     |                      | 2.47         | 62.71  | 5.13    | 130.30 | 1.83          | 46.48 | 3.02          | 76.71  | 1.44        | 36.50    | 1.84 | 46.74 |
| 40                         | 79      | 40                   | 2.47         | 62.71  | 4.13    | 104.90 | 1.16          | 29.36 | 1.77          | 44.96  | 0.63        | 15.88    | 0.94 | 23.80 |
|                            | 80      |                      | 2.47         | 62.71  | 5.13    | 130.30 | 1.16          | 29.36 | 1.77          | 44.96  | 0.63        | 15.88    | 0.94 | 23.80 |
|                            | 81      |                      | 2.72         | 69.06  | 4.13    | 104.90 | 1.38          | 34.93 | 2.11          | 53.67  | 0.88        | 22.23    | 1.25 | 31.75 |
|                            | 82      |                      | 2.72         | 69.06  | 5.13    | 130.30 | 1.50          | 38.10 | 2.36          | 60.02  | 1.00        | 25.40    | 1.38 | 34.93 |
|                            | 83      |                      | 2.72         | 69.06  | 4.13    | 104.90 | 1.78          | 45.24 | 2.77          | 70.36  | 1.25        | 31.75    | 1.63 | 41.28 |
|                            | 84      |                      | 2.72         | 69.06  | 5.13    | 130.30 | 1.78          | 45.24 | 2.77          | 70.36  | 1.25        | 31.75    | 1.63 | 41.28 |
|                            | 85      |                      | 2.72         | 69.06  | 4.13    | 104.90 | 1.83          | 46.48 | 3.02          | 76.71  | 1.44        | 36.50    | 1.88 | 47.63 |
|                            | 86      |                      | 2.72         | 69.06  | 5.13    | 130.30 | 1.83          | 46.48 | 3.02          | 76.71  | 1.44        | 36.50    | 1.88 | 47.63 |
|                            | 134     |                      | 2.72         | 69.06  | 4.13    | 104.90 | 1.06          | 26.90 | 1.55          | 39.40  | 0.50        | 12.70    | 0.75 | 19.05 |
|                            | 135     |                      | 2.72         | 69.06  | 5.13    | 130.30 | 1.06          | 26.90 | 1.55          | 39.40  | 0.50        | 12.70    | 0.75 | 19.05 |
| 44                         | 156     | 44                   | 2.72         | 69.06  | 4.13    | 104.90 | 1.16          | 29.36 | 1.77          | 44.96  | 0.63        | 15.88    | 0.94 | 23.80 |
|                            | 157     |                      | 2.72         | 69.06  | 5.13    | 130.30 | 1.16          | 29.36 | 1.77          | 44.96  | 0.63        | 15.88    | 0.94 | 23.80 |
|                            | 87      |                      | 2.97         | 75.41  | 4.13    | 104.90 | 1.38          | 34.93 | 2.11          | 53.67  | 0.88        | 22.23    | 1.25 | 31.75 |
|                            | 88      |                      | 2.97         | 75.41  | 5.13    | 130.30 | 1.38          | 34.93 | 2.11          | 53.67  | 0.88        | 22.23    | 1.25 | 31.75 |
|                            | 89      |                      | 2.97         | 75.41  | 4.13    | 104.90 | 1.50          | 38.10 | 2.36          | 60.02  | 1.00        | 25.40    | 1.38 | 34.93 |
|                            | 90      |                      | 2.97         | 75.41  | 5.13    | 130.30 | 1.50          | 38.10 | 2.36          | 60.02  | 1.00        | 25.40    | 1.38 | 34.93 |
|                            | 91      |                      | 2.97         | 75.41  | 4.13    | 104.90 | 1.78          | 45.24 | 2.77          | 70.36  | 1.25        | 31.75    | 1.63 | 41.28 |
|                            | 92      |                      | 2.97         | 75.41  | 5.13    | 130.30 | 1.78          | 45.24 | 2.77          | 70.36  | 1.25        | 31.75    | 1.63 | 41.28 |
|                            | 93      |                      | 2.97         | 75.41  | 4.13    | 104.90 | 1.83          | 46.48 | 3.02          | 76.71  | 1.44        | 36.50    | 1.88 | 47.63 |
|                            | 94      |                      | 2.97         | 75.41  | 5.13    | 130.30 | 1.83          | 46.48 | 3.02          | 76.71  | 1.44        | 36.50    | 1.88 | 47.63 |
| 48                         | 154     | 48                   | 2.97         | 75.41  | 4.13    | 104.90 | 1.16          | 29.36 | 1.77          | 44.96  | 0.63        | 15.88    | 0.94 | 23.80 |
|                            | 155     |                      | 2.97         | 75.41  | 5.13    | 130.30 | 1.16          | 29.36 | 1.77          | 44.96  | 0.63        | 15.88    | 0.94 | 23.80 |
|                            | 95      |                      | 3.22         | 81.76  | 4.13    | 104.90 | 1.38          | 34.93 | 2.11          | 53.67  | 0.88        | 22.23    | 1.25 | 31.75 |
|                            | 96      |                      | 3.22         | 81.76  | 5.13    | 130.30 | 1.38          | 34.93 | 2.11          | 53.67  | 0.88        | 22.23    | 1.25 | 31.75 |
|                            | 97      |                      | 3.22         | 81.76  | 4.13    | 104.90 | 1.50          | 38.10 | 2.36          | 60.02  | 1.00        | 25.40    | 1.38 | 34.93 |
|                            | 98      |                      | 3.22         | 81.76  | 5.13    | 130.30 | 1.50          | 38.10 | 2.36          | 60.02  | 1.00        | 25.40    | 1.38 | 34.93 |
|                            | 99      |                      | 3.22         | 81.76  | 4.13    | 104.90 | 1.78          | 45.24 | 2.77          | 70.36  | 1.25        | 31.75    | 1.63 | 41.28 |
|                            | 100     |                      | 3.22         | 81.76  | 5.13    | 130.30 | 1.78          | 45.24 | 2.77          | 70.36  | 1.25        | 31.75    | 1.63 | 41.28 |
| 101                        | 3.22    | 81.76                | 4.13         | 104.90 | 1.83    | 46.48  | 3.02          | 76.71 | 1.44          | 36.50  | 1.88        | 47.63    |      |       |
| 102                        | 3.22    | 81.76                | 5.13         | 130.30 | 1.83    | 46.48  | 3.02          | 76.71 | 1.44          | 36.50  | 1.88        | 47.63    |      |       |

All dimensions for reference only.

\* Denotes Style-2 (see page 486). For more cable entry and length options see page 486 or email: sales@backshellworld.com.

# Environmental Backshell

## 90° and 45°, Spin Coupling

### For Connector Family J

26482 Matrix Series 2

5015 Matrix (MS345X)

83723 Matrix & Pyle Series III

Connector Family "J", includes:  
 MIL-DTL-26482 Series 2,  
 MIL-DTL-5015 Matrix (MS345X)  
 MIL-DTL-83723 Series III



38999

- III
- HD
- Dualok
- II
- I
- SJT
- Accessories
- Aquacon
- Herm/Seal
- PCB

- Fiber Optics
- High Speed
- Contacts

- EMI Filter
- Transient

- 26482

- 83723
- III
- Matrix | Pyle

- 26500

- 5015
- Crimp Rear Release Matrix

- 22992
- Class I

- Back-Shells

- Options
- Others



TABLE - A

| MIL PART NUMBER DESIGNATOR |     | CONNECTOR SHELL SIZE | A DIA. (MAX) |       | B (REF) |       | C (MAX) |       | D (MAX) |       | E (MAX) |       | F (MAX) |       | G (MAX) |       | CABLE RANGE |          |      |       |      |    |  |  |
|----------------------------|-----|----------------------|--------------|-------|---------|-------|---------|-------|---------|-------|---------|-------|---------|-------|---------|-------|-------------|----------|------|-------|------|----|--|--|
|                            |     |                      | INCH         | MM    | INCH    | MM    | INCH    | MM    | INCH    | MM    | INCH    | MM    | INCH    | MM    | INCH    | MM    | MIN WIRE    | MAX WIRE | INCH | MM    | INCH | MM |  |  |
| 08                         | 3   | 8                    | 0.62         | 15.67 | 1.03    | 26.09 | 0.67    | 17.02 | 1.26    | 32.00 | 0.63    | 16.00 | 1.25    | 31.75 | 0.96    | 24.31 | 0.13        | 3.18     | 0.25 | 6.35  |      |    |  |  |
|                            | 4   |                      | 0.73         | 18.64 | 1.03    | 26.09 | 0.76    | 19.30 | 1.98    | 50.29 | 0.69    | 17.53 | 1.92    | 48.77 | 0.96    | 24.31 | 0.13        | 3.18     | 0.31 | 7.92  |      |    |  |  |
| 10                         | 49* | 10                   | 0.73         | 18.64 | 1.03    | 26.09 | 1.52    | 38.61 | 2.00    | 50.80 | 1.50    | 38.10 | 1.98    | 50.29 | 1.15    | 29.08 | 0.25        | 6.35     | 0.44 | 11.10 |      |    |  |  |
|                            | 5   |                      | 0.73         | 18.64 | 1.03    | 26.09 | 0.76    | 19.30 | 1.38    | 35.05 | 0.69    | 17.53 | 1.31    | 33.27 | 1.15    | 29.08 | 0.25        | 6.35     | 0.38 | 9.53  |      |    |  |  |
| 12                         | 6   | 7/12                 | 0.86         | 21.79 | 1.03    | 26.09 | 0.77    | 19.56 | 2.00    | 50.80 | 0.75    | 19.05 | 1.98    | 50.29 | 0.96    | 24.31 | 0.13        | 3.18     | 0.31 | 7.92  |      |    |  |  |
|                            | 71* |                      | 0.86         | 21.79 | 1.03    | 26.09 | 1.81    | 45.97 | 2.16    | 54.86 | 1.65    | 41.91 | 2.18    | 55.37 | 1.33    | 33.83 | 0.35        | 8.89     | 0.63 | 15.88 |      |    |  |  |
|                            | 7   |                      | 0.86         | 21.79 | 1.03    | 26.09 | 0.77    | 19.56 | 2.00    | 50.80 | 0.75    | 19.05 | 1.98    | 50.29 | 1.15    | 29.08 | 0.25        | 6.35     | 0.44 | 11.10 |      |    |  |  |
|                            | 8   |                      | 0.86         | 21.79 | 1.03    | 26.09 | 0.77    | 19.56 | 1.40    | 35.56 | 0.75    | 19.05 | 1.98    | 50.29 | 1.33    | 33.83 | 0.35        | 8.89     | 0.50 | 12.70 |      |    |  |  |
| 14                         | 9   | 12/14                | 0.98         | 24.99 | 1.03    | 26.09 | 0.87    | 22.10 | 2.07    | 52.58 | 0.81    | 20.57 | 2.07    | 52.58 | 1.15    | 29.08 | 0.25        | 6.35     | 0.44 | 11.10 |      |    |  |  |
|                            | 10  |                      | 0.98         | 24.99 | 1.03    | 26.09 | 0.87    | 22.10 | 1.72    | 43.69 | 0.81    | 20.57 | 1.72    | 43.69 | 1.33    | 33.83 | 0.35        | 8.89     | 0.58 | 14.61 |      |    |  |  |
|                            | 50* |                      | 0.98         | 24.99 | 1.06    | 26.90 | 1.89    | 48.01 | 2.33    | 59.18 | 1.84    | 46.74 | 2.37    | 60.20 | 1.55    | 39.40 | 0.50        | 12.70    | 0.75 | 19.05 |      |    |  |  |
|                            | 74  |                      | 0.98         | 24.99 | 1.03    | 26.09 | 0.87    | 22.10 | 2.07    | 52.58 | 0.81    | 20.57 | 2.07    | 52.58 | 0.96    | 24.31 | 0.13        | 3.18     | 0.31 | 7.92  |      |    |  |  |
| 16                         | 11  | 19/16                | 1.11         | 28.24 | 1.03    | 26.09 | 1.05    | 26.67 | 2.16    | 54.86 | 0.91    | 23.11 | 2.18    | 55.37 | 1.15    | 29.08 | 0.25        | 6.35     | 0.44 | 11.10 |      |    |  |  |
|                            | 12  |                      | 1.11         | 28.24 | 1.06    | 26.90 | 1.05    | 26.67 | 1.81    | 45.97 | 0.91    | 23.11 | 1.82    | 46.23 | 1.55    | 39.40 | 0.50        | 12.70    | 0.70 | 17.78 |      |    |  |  |
|                            | 40  |                      | 1.11         | 28.24 | 1.03    | 26.09 | 1.05    | 26.67 | 2.16    | 54.86 | 0.91    | 23.11 | 2.18    | 55.37 | 1.33    | 33.83 | 0.35        | 8.89     | 0.63 | 15.88 |      |    |  |  |
|                            | 51* |                      | 1.11         | 28.24 | 1.16    | 29.36 | 2.04    | 51.82 | 2.44    | 61.98 | 1.94    | 49.28 | 2.52    | 64.01 | 1.77    | 44.96 | 0.63        | 15.88    | 0.94 | 23.80 |      |    |  |  |
|                            | 75  |                      | 1.11         | 28.24 | 1.03    | 26.09 | 1.05    | 26.67 | 2.16    | 54.86 | 0.91    | 23.11 | 2.18    | 55.37 | 0.96    | 24.31 | 0.13        | 3.18     | 0.31 | 7.92  |      |    |  |  |

\* Denotes Style-2 (see page 486)

For more cable entry and length options see page 486 or email: sales@backshellworld.com

All dimensions for reference only.

TABLE CONTINUES ON NEXT PAGE



### For Connector Family J

**26482 Matrix Series 2**

**5015 Matrix (MS345X)**

**83723 Matrix & Pyle Series III**

Connector Family "J", includes:  
MIL-DTL-26482 Series 2,  
MIL-DTL-5015 Matrix (MS345X)  
MIL-DTL-83723 Series III

**TABLE A**

| MIL PART NUMBER DESIGNATOR |     | CONNECTOR SHELL SIZE | A DIA. (MAX) |       | B (REF) |       | C (MAX) |       | D (MAX) |       | E (MAX) |       | F (MAX) |       | G (MAX) |       | CABLE RANGE |          |      |       |
|----------------------------|-----|----------------------|--------------|-------|---------|-------|---------|-------|---------|-------|---------|-------|---------|-------|---------|-------|-------------|----------|------|-------|
|                            |     |                      | INCH         | MM    | INCH    | MM    | INCH    | MM    | INCH    | MM    | INCH    | MM    | INCH    | MM    | INCH    | MM    | MIN WIRE    | MAX WIRE | INCH | MM    |
| 18                         | 13  | 27/18                | 1.22         | 30.94 | 1.03    | 26.09 | 1.14    | 28.96 | 2.33    | 59.18 | 1.09    | 27.69 | 2.37    | 60.20 | 1.33    | 33.83 | 0.35        | 8.89     | 0.63 | 15.88 |
|                            | 14  |                      | 1.22         | 30.94 | 1.16    | 29.36 | 1.14    | 28.96 | 1.98    | 50.29 | 1.09    | 27.69 | 2.00    | 50.80 | 1.77    | 44.96 | 0.63        | 15.88    | 0.78 | 19.79 |
|                            | 41  |                      | 1.22         | 30.94 | 1.03    | 26.09 | 1.14    | 28.96 | 2.33    | 59.18 | 1.09    | 27.69 | 2.37    | 60.20 | 0.96    | 24.31 | 0.13        | 3.18     | 0.31 | 7.92  |
|                            | 42  |                      | 1.22         | 30.94 | 1.03    | 26.09 | 1.14    | 28.96 | 2.33    | 59.18 | 1.09    | 27.69 | 2.37    | 60.20 | 1.15    | 29.08 | 0.25        | 6.35     | 0.44 | 11.10 |
|                            | 52  |                      | 1.22         | 30.94 | 1.06    | 26.90 | 1.14    | 28.96 | 2.33    | 59.18 | 1.09    | 27.69 | 2.37    | 60.20 | 1.55    | 39.40 | 0.50        | 12.70    | 0.75 | 19.05 |
|                            | 72* |                      | 1.22         | 30.94 | 1.16    | 29.36 | 2.05    | 52.07 | 2.44    | 61.98 | 1.94    | 49.28 | 2.52    | 64.01 | 1.77    | 44.96 | 0.63        | 15.88    | 0.94 | 23.80 |
| 20                         | 15  | 37/20                | 1.35         | 34.16 | 1.03    | 26.09 | 1.14    | 28.96 | 2.33    | 59.18 | 1.09    | 27.69 | 2.37    | 60.20 | 1.33    | 33.83 | 0.35        | 8.89     | 0.63 | 15.88 |
|                            | 16  |                      | 1.35         | 34.16 | 1.16    | 29.36 | 1.14    | 28.96 | 1.98    | 50.29 | 1.09    | 27.69 | 2.00    | 50.80 | 1.77    | 44.96 | 0.63        | 15.88    | 0.90 | 22.96 |
|                            | 43  |                      | 1.35         | 34.16 | 1.03    | 26.09 | 1.14    | 28.96 | 2.33    | 59.18 | 1.09    | 27.69 | 2.37    | 60.20 | 1.15    | 29.08 | 0.25        | 6.35     | 0.44 | 11.10 |
|                            | 54  |                      | 1.35         | 34.16 | 1.06    | 26.90 | 1.14    | 28.96 | 2.33    | 59.18 | 1.09    | 27.69 | 2.37    | 60.20 | 1.55    | 39.40 | 0.50        | 12.70    | 0.75 | 19.05 |
|                            | 55  |                      | 1.35         | 34.16 | 1.38    | 34.93 | 2.14    | 54.36 | 2.61    | 66.29 | 2.06    | 52.32 | 2.57    | 65.28 | 2.11    | 53.67 | 0.88        | 22.23    | 1.25 | 31.75 |
| 22                         | 17  | 22                   | 1.47         | 37.29 | 1.06    | 26.90 | 1.29    | 32.77 | 2.44    | 61.98 | 1.19    | 30.23 | 2.52    | 64.01 | 1.55    | 39.40 | 0.50        | 12.70    | 0.75 | 19.05 |
|                            | 18  |                      | 1.47         | 37.29 | 1.38    | 34.93 | 1.29    | 32.77 | 2.09    | 53.09 | 1.19    | 30.23 | 2.16    | 54.86 | 2.11    | 53.67 | 0.88        | 22.23    | 1.03 | 26.14 |
|                            | 44  |                      | 1.47         | 37.29 | 1.03    | 26.09 | 1.29    | 32.77 | 2.44    | 61.98 | 1.19    | 30.23 | 2.52    | 64.01 | 0.96    | 24.31 | 0.13        | 3.18     | 0.31 | 7.92  |
|                            | 45  |                      | 1.47         | 37.29 | 1.03    | 26.09 | 1.29    | 32.77 | 2.44    | 61.98 | 1.19    | 30.23 | 2.52    | 64.01 | 1.15    | 29.08 | 0.25        | 6.35     | 0.44 | 11.10 |
|                            | 56  |                      | 1.47         | 37.29 | 1.03    | 26.09 | 1.29    | 32.77 | 2.44    | 61.98 | 1.19    | 30.23 | 2.52    | 64.01 | 1.33    | 33.83 | 0.35        | 8.89     | 0.63 | 15.88 |
|                            | 57  |                      | 1.47         | 37.29 | 1.16    | 29.36 | 1.29    | 32.77 | 2.44    | 61.98 | 1.19    | 30.23 | 2.52    | 64.01 | 1.77    | 44.96 | 0.63        | 15.88    | 0.94 | 23.80 |
| 24                         | 19  | 24                   | 1.59         | 40.46 | 1.06    | 26.90 | 1.29    | 32.77 | 2.44    | 61.98 | 1.19    | 30.23 | 2.52    | 64.01 | 1.55    | 39.40 | 0.50        | 12.70    | 0.75 | 19.05 |
|                            | 20  |                      | 1.59         | 40.46 | 1.38    | 34.93 | 1.29    | 32.77 | 2.09    | 53.09 | 1.19    | 30.23 | 2.16    | 54.86 | 2.11    | 53.67 | 0.88        | 22.23    | 1.14 | 29.06 |
|                            | 46  |                      | 1.59         | 40.46 | 1.03    | 26.09 | 1.29    | 32.77 | 2.44    | 61.98 | 1.19    | 30.23 | 2.52    | 64.01 | 1.33    | 33.83 | 0.35        | 8.89     | 0.63 | 15.88 |
|                            | 59  |                      | 1.59         | 40.46 | 1.16    | 29.36 | 1.29    | 32.77 | 2.44    | 61.98 | 1.19    | 30.23 | 2.52    | 64.01 | 1.77    | 44.96 | 0.63        | 15.88    | 0.94 | 23.80 |
|                            | 73* |                      | 1.59         | 40.46 | 1.38    | 34.93 | 2.15    | 54.61 | 2.61    | 66.29 | 2.06    | 52.32 | 2.57    | 65.28 | 2.12    | 53.75 | 0.88        | 22.23    | 1.25 | 31.75 |
| 28                         | 21  | 28                   | 1.97         | 50.01 | 1.16    | 29.36 | 1.39    | 35.31 | 2.61    | 66.29 | 1.31    | 33.27 | 2.57    | 65.28 | 1.77    | 44.96 | 0.63        | 15.88    | 0.94 | 23.80 |
|                            | 22  |                      | 1.97         | 50.01 | 1.50    | 38.10 | 1.39    | 35.31 | 2.26    | 57.40 | 1.31    | 33.27 | 2.22    | 56.39 | 2.36    | 60.02 | 1.00        | 25.40    | 1.38 | 34.93 |
|                            | 60  |                      | 1.97         | 50.01 | 1.06    | 26.90 | 1.39    | 35.31 | 2.61    | 66.29 | 1.31    | 33.27 | 2.57    | 65.28 | 1.55    | 39.40 | 0.50        | 12.70    | 0.75 | 19.05 |
|                            | 61  |                      | 1.97         | 50.01 | 1.38    | 34.93 | 1.39    | 35.31 | 2.61    | 66.29 | 1.31    | 33.27 | 2.57    | 65.28 | 2.11    | 53.67 | 0.88        | 22.23    | 1.25 | 31.75 |
| 32                         | 23  | 32                   | 2.22         | 56.36 | 1.16    | 29.36 | 1.74    | 44.20 | 2.86    | 72.64 | 1.38    | 35.05 | 2.67    | 67.82 | 1.77    | 44.96 | 0.63        | 15.88    | 0.94 | 23.80 |
|                            | 24  |                      | 2.22         | 56.36 | 1.38    | 34.93 | 1.74    | 44.20 | 2.86    | 72.64 | 1.38    | 35.05 | 2.67    | 67.82 | 2.11    | 53.67 | 0.88        | 22.23    | 1.25 | 31.75 |
|                            | 25  |                      | 2.22         | 56.36 | 1.78    | 45.24 | 1.74    | 44.20 | 2.51    | 63.75 | 1.38    | 35.05 | 2.32    | 58.93 | 2.77    | 70.36 | 1.25        | 31.75    | 1.63 | 41.28 |
|                            | 62  |                      | 2.22         | 56.36 | 1.50    | 38.10 | 1.74    | 44.20 | 2.86    | 72.64 | 1.38    | 35.05 | 2.67    | 67.82 | 2.36    | 60.02 | 1.00        | 25.40    | 1.38 | 34.93 |
| 36                         | 26  | 36                   | 2.47         | 62.71 | 1.16    | 29.36 | 1.94    | 49.28 | 2.83    | 71.88 | 1.41    | 35.81 | 2.76    | 70.10 | 1.77    | 44.96 | 0.63        | 15.88    | 0.94 | 23.80 |
|                            | 27  |                      | 2.47         | 62.71 | 1.50    | 38.10 | 1.94    | 49.28 | 2.83    | 71.88 | 1.41    | 35.81 | 2.76    | 70.10 | 2.36    | 60.02 | 1.00        | 25.40    | 1.38 | 34.93 |
|                            | 28  |                      | 2.47         | 62.71 | 1.83    | 46.48 | 1.94    | 49.28 | 2.48    | 62.99 | 1.41    | 35.81 | 2.41    | 61.21 | 3.02    | 76.71 | 1.44        | 36.50    | 1.84 | 46.74 |
|                            | 47  |                      | 2.47         | 62.71 | 1.06    | 26.90 | 1.94    | 49.28 | 2.83    | 71.88 | 1.41    | 35.81 | 2.76    | 70.10 | 1.55    | 39.40 | 0.50        | 12.70    | 0.75 | 19.05 |
|                            | 63  |                      | 2.47         | 62.71 | 1.38    | 34.93 | 1.94    | 49.28 | 2.83    | 71.88 | 1.41    | 35.81 | 2.76    | 70.10 | 2.11    | 53.67 | 0.88        | 22.23    | 1.25 | 31.75 |
|                            | 64  |                      | 2.47         | 62.71 | 1.78    | 45.24 | 1.94    | 49.28 | 2.83    | 71.88 | 1.41    | 35.81 | 2.76    | 70.10 | 2.77    | 70.36 | 1.25        | 31.75    | 1.63 | 41.28 |
| 40                         | 29  | 40                   | 2.72         | 69.06 | 1.16    | 29.36 | 2.69    | 68.33 | 2.83    | 71.88 | 2.16    | 54.86 | 2.76    | 70.10 | 1.77    | 44.96 | 0.63        | 15.88    | 0.94 | 23.80 |
|                            | 30  |                      | 2.72         | 69.06 | 1.50    | 38.10 | 2.69    | 68.33 | 2.83    | 71.88 | 2.16    | 54.86 | 2.76    | 70.10 | 2.36    | 60.02 | 1.00        | 25.40    | 1.38 | 34.93 |
|                            | 31  |                      | 2.72         | 69.06 | 1.83    | 46.48 | 2.69    | 68.33 | 2.48    | 62.99 | 2.16    | 54.86 | 2.41    | 61.21 | 3.02    | 76.71 | 1.44        | 36.50    | 1.88 | 47.63 |
|                            | 48  |                      | 2.72         | 69.06 | 1.06    | 26.90 | 1.94    | 49.28 | 2.83    | 71.88 | 2.16    | 54.86 | 2.76    | 70.10 | 1.55    | 39.40 | 0.50        | 12.70    | 0.75 | 19.05 |
|                            | 65  |                      | 2.72         | 69.06 | 1.38    | 34.93 | 2.69    | 68.33 | 2.83    | 71.88 | 2.16    | 54.86 | 2.76    | 70.10 | 2.11    | 53.67 | 0.88        | 22.23    | 1.25 | 31.75 |
|                            | 66  |                      | 2.72         | 69.06 | 1.78    | 45.24 | 2.69    | 68.33 | 2.83    | 71.88 | 2.16    | 54.86 | 2.76    | 70.10 | 2.77    | 70.36 | 1.25        | 31.75    | 1.63 | 41.28 |
| 44                         | 32  | 44                   | 2.97         | 75.41 | 1.16    | 29.36 | 2.69    | 68.33 | 2.83    | 71.88 | 2.16    | 54.86 | 2.76    | 70.10 | 1.77    | 44.96 | 0.63        | 15.88    | 0.94 | 23.80 |
|                            | 33  |                      | 2.97         | 75.41 | 1.50    | 38.10 | 2.69    | 68.33 | 2.83    | 71.88 | 2.16    | 54.86 | 2.76    | 70.10 | 2.36    | 60.02 | 1.00        | 25.40    | 1.38 | 34.93 |
|                            | 34  |                      | 2.97         | 75.41 | 1.83    | 46.48 | 2.69    | 68.33 | 2.48    | 62.99 | 2.16    | 54.86 | 2.41    | 61.21 | 3.02    | 76.71 | 1.44        | 36.50    | 1.88 | 47.63 |
|                            | 67  |                      | 2.97         | 75.41 | 1.38    | 34.93 | 2.69    | 68.33 | 2.83    | 71.88 | 2.16    | 54.86 | 2.76    | 70.10 | 2.11    | 53.67 | 0.88        | 22.23    | 1.25 | 31.75 |
|                            | 68  |                      | 2.97         | 75.41 | 1.78    | 45.24 | 2.69    | 68.33 | 2.83    | 71.88 | 2.16    | 54.86 | 2.76    | 70.10 | 2.77    | 70.36 | 1.25        | 31.75    | 1.63 | 41.28 |
| 48                         | 35  | 48                   | 3.22         | 81.76 | 1.16    | 29.36 | 2.69    | 68.33 | 2.83    | 71.88 | 2.16    | 54.86 | 2.76    | 70.10 | 1.77    | 44.96 | 0.63        | 15.88    | 0.94 | 23.80 |
|                            | 36  |                      | 3.22         | 81.76 | 1.50    | 38.10 | 2.69    | 68.33 | 2.83    | 71.88 | 2.16    | 54.86 | 2.76    | 70.10 | 2.36    | 60.02 | 1.00        | 25.40    | 1.38 | 34.93 |
|                            | 37  |                      | 3.22         | 81.76 | 1.83    | 46.48 | 2.69    | 68.33 | 2.48    | 62.99 | 2.16    | 54.86 | 2.41    | 61.21 | 3.02    | 76.71 | 1.44        | 36.50    | 1.88 | 47.63 |
|                            | 69  |                      | 3.22         | 81.76 | 1.38    | 34.93 | 2.69    | 68.33 | 2.83    | 71.88 | 2.16    | 54.86 | 2.76    | 70.10 | 2.11    | 53.67 | 0.88        | 22.23    | 1.25 | 31.75 |
|                            | 70  |                      | 3.22         | 81.76 | 1.78    | 45.24 | 2.69    | 68.33 | 2.83    | 71.88 | 2.16    | 54.86 | 2.76    | 70.10 | 2.77    | 70.36 | 1.25        | 31.75    | 1.63 | 41.28 |

\* Denotes Style-2 (see page 486)

For more cable entry and length options see page 486 or email: [sales@backshellworld.com](mailto:sales@backshellworld.com)

All dimensions for reference only.

# Non-Environmental EMI/RFI Backshell

## Straight, Spin Coupling



For Connector Family J

26482 Matrix Series 2

5015 Matrix (MS345X)

83723 Matrix & Pyle Series III

Connector Family "J", includes:  
MIL-DTL-26482 Series 2,  
MIL-DTL-5015 Matrix (MS345X)  
MIL-DTL-83723 Series III



**MIL Part Number**  
**M85049 / 25 -10 W**

MIL Series: M85049  
Slash Sheet: 25: Straight, Spin Coupling  
Finish: See Table-2 (pg. 486)  
Dash Number: See Table-A

| MIL PART NUMBER DESIGNATOR |         | CONNECTOR SHELL SIZE | TABLE-A      |       |         |       |               |       |               |       |             |       |          |       |
|----------------------------|---------|----------------------|--------------|-------|---------|-------|---------------|-------|---------------|-------|-------------|-------|----------|-------|
| SHELL SIZE                 | DASH NO |                      | A DIA. (MAX) |       | B (MAX) |       | C (REF) L MAX |       | G (MAX) L MAX |       | CABLE RANGE |       |          |       |
|                            |         |                      | INCH         | MM    | INCH    | MM    | INCH          | MM    | INCH          | MM    | MIN WIRE    |       | MAX WIRE |       |
|                            |         |                      |              |       |         |       |               |       |               | INCH  | MM          | INCH  | MM       |       |
| 8                          | 05      | 8                    | 0.62         | 15.67 | 2.13    | 54.10 | 1.03          | 26.09 | 0.96          | 24.31 | 0.13        | 3.18  | 0.25     | 6.35  |
|                            | 06      |                      | 0.62         | 15.67 | 3.13    | 79.50 | 1.03          | 26.09 | 0.96          | 24.31 | 0.13        | 3.18  | 0.25     | 6.35  |
|                            | 07*     |                      | 0.62         | 15.67 | 2.88    | 73.15 | 1.03          | 26.09 | 1.15          | 29.08 | 0.25        | 6.35  | 0.44     | 11.10 |
|                            | 08*     |                      | 0.62         | 15.67 | 3.88    | 98.55 | 1.03          | 26.09 | 1.15          | 29.08 | 0.25        | 6.35  | 0.44     | 11.10 |
| 10                         | 09      | 10                   | 0.73         | 18.64 | 2.13    | 54.10 | 1.03          | 26.09 | 0.96          | 24.31 | 0.13        | 3.18  | 0.31     | 7.92  |
|                            | 10      |                      | 0.73         | 18.64 | 3.13    | 79.50 | 1.03          | 26.09 | 0.96          | 24.31 | 0.13        | 3.18  | 0.31     | 7.92  |
|                            | 11*     |                      | 0.73         | 18.64 | 2.88    | 73.15 | 1.03          | 26.09 | 1.15          | 29.08 | 0.25        | 6.35  | 0.44     | 11.10 |
|                            | 12*     |                      | 0.73         | 18.64 | 3.88    | 98.55 | 1.03          | 26.09 | 1.15          | 29.08 | 0.25        | 6.35  | 0.44     | 11.10 |
|                            | 136     |                      | 0.73         | 18.64 | 2.13    | 54.10 | 1.03          | 26.09 | 1.15          | 29.08 | 0.25        | 6.35  | 0.38     | 9.53  |
| 12                         | 137     | 7/12                 | 0.73         | 18.64 | 3.13    | 79.50 | 1.03          | 26.09 | 1.15          | 29.08 | 0.25        | 6.35  | 0.38     | 9.53  |
|                            | 13      |                      | 0.86         | 21.79 | 2.13    | 54.10 | 1.03          | 26.09 | 1.15          | 29.08 | 0.25        | 6.35  | 0.44     | 11.10 |
|                            | 14      |                      | 0.86         | 21.79 | 3.13    | 79.50 | 1.03          | 26.09 | 1.15          | 29.08 | 0.25        | 6.35  | 0.44     | 11.10 |
|                            | 15*     |                      | 0.86         | 21.79 | 2.88    | 73.15 | 1.03          | 26.09 | 1.33          | 33.83 | 0.35        | 8.89  | 0.63     | 15.88 |
|                            | 16*     |                      | 0.86         | 21.79 | 3.88    | 98.55 | 1.03          | 26.09 | 1.33          | 33.83 | 0.35        | 8.89  | 0.63     | 15.88 |
|                            | 111     |                      | 0.86         | 21.79 | 2.13    | 54.10 | 1.03          | 26.09 | 1.33          | 33.83 | 0.35        | 8.89  | 0.50     | 12.70 |
|                            | 114     |                      | 0.86         | 21.79 | 2.13    | 54.10 | 1.03          | 26.09 | 0.96          | 24.31 | 0.13        | 3.18  | 0.31     | 7.92  |
|                            | 115     |                      | 0.86         | 21.79 | 3.13    | 79.50 | 1.03          | 26.09 | 0.96          | 24.31 | 0.13        | 3.18  | 0.31     | 7.92  |
| 14                         | 138     | 12/14                | 0.86         | 21.79 | 2.13    | 54.10 | 1.03          | 26.09 | 1.33          | 33.83 | 0.35        | 8.89  | 0.50     | 12.70 |
|                            | 139     |                      | 0.86         | 21.79 | 3.13    | 79.50 | 1.03          | 26.09 | 1.33          | 33.83 | 0.35        | 8.89  | 0.50     | 12.70 |
|                            | 17      |                      | 0.98         | 24.99 | 2.13    | 54.10 | 1.03          | 26.09 | 1.33          | 33.83 | 0.35        | 8.89  | 0.58     | 14.61 |
|                            | 18      |                      | 0.98         | 24.99 | 3.13    | 79.50 | 1.03          | 26.09 | 1.33          | 33.83 | 0.35        | 8.89  | 0.58     | 14.61 |
|                            | 19*     |                      | 0.98         | 24.99 | 2.88    | 73.15 | 1.06          | 26.90 | 1.55          | 39.40 | 0.50        | 12.70 | 0.75     | 19.05 |
|                            | 20*     |                      | 0.98         | 24.99 | 3.88    | 98.55 | 1.06          | 26.90 | 1.55          | 39.40 | 0.50        | 12.70 | 0.75     | 19.05 |
|                            | 116     |                      | 0.98         | 24.99 | 2.13    | 54.10 | 1.03          | 26.09 | 1.15          | 29.08 | 0.25        | 6.35  | 0.44     | 11.10 |
| 16                         | 117     | 19/16                | 0.98         | 24.99 | 3.13    | 79.50 | 1.03          | 26.09 | 1.15          | 29.08 | 0.25        | 6.35  | 0.44     | 11.10 |
|                            | 150     |                      | 0.98         | 24.99 | 2.13    | 54.10 | 1.03          | 26.09 | 0.96          | 24.31 | 0.13        | 3.18  | 0.31     | 7.92  |
|                            | 151     |                      | 0.98         | 24.99 | 3.13    | 79.50 | 1.03          | 26.09 | 0.96          | 24.31 | 0.13        | 3.18  | 0.31     | 7.92  |
|                            | 21      |                      | 1.11         | 28.24 | 2.13    | 54.10 | 1.06          | 26.90 | 1.55          | 39.40 | 0.50        | 12.70 | 0.70     | 17.78 |
|                            | 22      |                      | 1.11         | 28.24 | 3.13    | 79.50 | 1.06          | 26.90 | 1.55          | 39.40 | 0.50        | 12.70 | 0.70     | 17.78 |
|                            | 23*     |                      | 1.11         | 28.24 | 2.88    | 73.15 | 1.16          | 29.36 | 1.77          | 44.96 | 0.63        | 15.88 | 0.94     | 23.80 |
|                            | 24*     |                      | 1.11         | 28.24 | 3.88    | 98.55 | 1.16          | 29.36 | 1.77          | 44.96 | 0.63        | 15.88 | 0.94     | 23.80 |
| 112                        | 1.11    | 28.24                | 2.13         | 54.10 | 1.03    | 26.09 | 1.15          | 29.08 | 0.25          | 6.35  | 0.44        | 11.10 |          |       |
| 113                        | 1.11    | 28.24                | 3.13         | 79.50 | 1.03    | 26.09 | 1.15          | 29.08 | 0.25          | 6.35  | 0.44        | 11.10 |          |       |
| 118                        | 1.11    | 28.24                | 2.13         | 54.10 | 1.03    | 26.09 | 1.33          | 33.83 | 0.35          | 8.89  | 0.63        | 15.88 |          |       |
| 119                        | 1.11    | 28.24                | 3.13         | 79.50 | 1.03    | 26.09 | 1.33          | 33.83 | 0.35          | 8.89  | 0.63        | 15.88 |          |       |
| 152                        | 1.11    | 28.24                | 2.13         | 54.10 | 1.03    | 26.09 | 0.96          | 24.31 | 0.13          | 3.18  | 0.31        | 7.92  |          |       |
| 153                        | 1.11    | 28.24                | 3.13         | 79.50 | 1.03    | 26.09 | 0.96          | 24.31 | 0.13          | 3.18  | 0.31        | 7.92  |          |       |

\* Denotes Style-2 (see page 486)

For more cable entry and length options see page 486 or email: sales@backshellworld.com

All dimensions for reference only.

TABLE CONTINUES ON NEXT PAGE

38999

III

HD

Dualok

II

I

SJT

Accessories

Aquacon

Herm/Seal

PCB

Fiber Optics

High Speed

Contacts

EMI Filter

Transient

Matrix 2

26482

Matrix Pyle

III

83723

Pyle

26500

5015

Crimp Rear Release Matrix

Class I

22992

Backshells

Options

Others

### For Connector Family J

**26482 Matrix Series 2**

**5015 Matrix (MS345X)**

**83723 Matrix & Pyle Series III**

Connector Family "J", includes:  
MIL-DTL-26482 Series 2,  
MIL-DTL-5015 Matrix (MS345X)  
MIL-DTL-83723 Series III

| MIL PART NUMBER DESIGNATOR |         | CONNECTOR SHELL SIZE | TABLE-A      |       |         |        |               |        |               |       |             |       |          |       |      |       |
|----------------------------|---------|----------------------|--------------|-------|---------|--------|---------------|--------|---------------|-------|-------------|-------|----------|-------|------|-------|
| SHELL SIZE                 | DASH NO |                      | A DIA. (MAX) |       | B (MAX) |        | C (REF) L MAX |        | G (MAX) L MAX |       | CABLE RANGE |       |          |       |      |       |
|                            |         |                      | INCH         | MM    | INCH    | MM     | INCH          | MM     | INCH          | MM    | MIN WIRE    |       | MAX WIRE |       |      |       |
|                            |         |                      |              |       |         |        |               |        |               | INCH  | MM          | INCH  | MM       |       |      |       |
| 18                         | 25      | 27/18                | 1.22         | 30.94 | 2.13    | 54.10  | 1.03          | 26.09  | 1.33          | 33.83 | 0.35        | 8.89  | 0.63     | 15.88 |      |       |
|                            | 26      |                      | 1.22         | 30.94 | 3.13    | 79.50  | 1.03          | 26.09  | 1.33          | 33.83 | 0.35        | 8.89  | 0.63     | 15.88 |      |       |
|                            | 27      |                      | 1.22         | 30.94 | 2.13    | 54.10  | 1.06          | 26.90  | 1.55          | 39.40 | 0.50        | 12.70 | 0.75     | 19.05 |      |       |
|                            | 28      |                      | 1.22         | 30.94 | 3.13    | 79.50  | 1.06          | 26.90  | 1.55          | 39.40 | 0.50        | 12.70 | 0.75     | 19.05 |      |       |
|                            | 29*     |                      | 1.22         | 30.94 | 2.88    | 73.15  | 1.16          | 29.36  | 1.77          | 44.96 | 0.63        | 15.88 | 0.94     | 23.80 |      |       |
|                            | 30*     |                      | 1.22         | 30.94 | 3.88    | 98.55  | 1.16          | 29.36  | 1.77          | 44.96 | 0.63        | 15.88 | 0.94     | 23.80 |      |       |
|                            | 120     |                      | 1.22         | 30.94 | 2.13    | 54.10  | 1.03          | 26.09  | 0.96          | 24.31 | 0.13        | 3.18  | 0.31     | 7.92  |      |       |
|                            | 121     |                      | 1.22         | 30.94 | 3.13    | 79.50  | 1.03          | 26.09  | 0.96          | 24.31 | 0.13        | 3.18  | 0.31     | 7.92  |      |       |
|                            | 122     |                      | 1.22         | 30.94 | 2.13    | 54.10  | 1.03          | 26.09  | 1.15          | 29.08 | 0.25        | 6.35  | 0.44     | 11.10 |      |       |
|                            | 123     |                      | 1.22         | 30.94 | 3.13    | 79.50  | 1.03          | 26.09  | 1.15          | 29.08 | 0.25        | 6.35  | 0.44     | 11.10 |      |       |
|                            | 20      |                      | 31           | 37/20 | 1.35    | 34.16  | 3.13          | 79.50  | 1.03          | 26.09 | 1.33        | 33.83 | 0.35     | 8.89  | 0.63 | 15.88 |
|                            |         |                      | 32           |       | 1.35    | 34.16  | 4.13          | 104.90 | 1.03          | 26.09 | 1.33        | 33.83 | 0.35     | 8.89  | 0.63 | 15.88 |
| 33                         |         | 1.35                 | 34.16        |       | 3.13    | 79.50  | 1.06          | 26.90  | 1.55          | 39.40 | 0.50        | 12.70 | 0.75     | 19.05 |      |       |
| 34                         |         | 1.35                 | 34.16        |       | 4.13    | 104.90 | 1.06          | 26.90  | 1.55          | 39.40 | 0.50        | 12.70 | 0.75     | 19.05 |      |       |
| 35*                        |         | 1.35                 | 34.16        |       | 3.88    | 98.55  | 1.16          | 29.36  | 1.77          | 44.96 | 0.63        | 15.88 | 0.94     | 23.80 |      |       |
| 36*                        |         | 1.35                 | 34.16        |       | 4.88    | 123.95 | 1.16          | 29.36  | 1.77          | 44.96 | 0.63        | 15.88 | 0.94     | 23.80 |      |       |
| 37*                        |         | 1.35                 | 34.16        |       | 3.88    | 98.55  | 1.38          | 34.93  | 2.11          | 53.67 | 0.88        | 22.23 | 1.25     | 31.75 |      |       |
| 38*                        |         | 1.35                 | 34.16        |       | 4.88    | 123.95 | 1.38          | 34.93  | 2.11          | 53.67 | 0.88        | 22.23 | 1.25     | 31.75 |      |       |
| 124                        |         | 1.35                 | 34.16        |       | 3.13    | 79.50  | 1.03          | 26.09  | 1.15          | 29.08 | 0.25        | 6.35  | 0.44     | 11.10 |      |       |
| 125                        |         | 1.35                 | 34.16        |       | 4.13    | 104.90 | 1.03          | 26.09  | 1.15          | 29.08 | 0.25        | 6.35  | 0.44     | 11.10 |      |       |
| 140                        |         | 1.35                 | 34.16        |       | 3.13    | 79.50  | 1.16          | 29.36  | 1.77          | 44.96 | 0.63        | 15.88 | 0.90     | 22.96 |      |       |
| 141                        |         | 1.35                 | 34.16        |       | 4.13    | 104.90 | 1.16          | 29.36  | 1.77          | 44.96 | 0.63        | 15.88 | 0.90     | 22.96 |      |       |
| 22                         | 39      | 22                   | 1.47         | 37.29 | 3.13    | 79.50  | 1.03          | 26.09  | 1.33          | 33.83 | 0.35        | 8.89  | 0.63     | 15.88 |      |       |
|                            | 40      |                      | 1.47         | 37.29 | 4.13    | 104.90 | 1.03          | 26.09  | 1.33          | 33.83 | 0.35        | 8.89  | 0.63     | 15.88 |      |       |
|                            | 41      |                      | 1.47         | 37.29 | 3.13    | 79.50  | 1.06          | 26.90  | 1.55          | 39.40 | 0.50        | 12.70 | 0.75     | 19.05 |      |       |
|                            | 42      |                      | 1.47         | 37.29 | 4.13    | 104.90 | 1.06          | 26.90  | 1.55          | 39.40 | 0.50        | 12.70 | 0.75     | 19.05 |      |       |
|                            | 43      |                      | 1.47         | 37.29 | 3.13    | 79.50  | 1.16          | 29.36  | 1.77          | 44.96 | 0.63        | 15.88 | 0.94     | 23.80 |      |       |
|                            | 44      |                      | 1.47         | 37.29 | 4.13    | 104.90 | 1.16          | 29.36  | 1.77          | 44.96 | 0.63        | 15.88 | 0.94     | 23.80 |      |       |
|                            | 45*     |                      | 1.47         | 37.29 | 3.88    | 98.55  | 1.38          | 34.93  | 2.11          | 53.67 | 0.88        | 22.23 | 1.25     | 31.75 |      |       |
|                            | 46*     |                      | 1.47         | 37.29 | 4.88    | 123.95 | 1.38          | 34.93  | 2.11          | 53.67 | 0.88        | 22.23 | 1.25     | 31.75 |      |       |
|                            | 126     |                      | 1.47         | 37.29 | 3.13    | 79.50  | 1.03          | 26.09  | 0.96          | 24.31 | 0.13        | 3.18  | 0.31     | 7.92  |      |       |
|                            | 127     |                      | 1.47         | 37.29 | 4.13    | 104.90 | 1.03          | 26.09  | 0.96          | 24.31 | 0.13        | 3.18  | 0.31     | 7.92  |      |       |
|                            | 128     |                      | 1.47         | 37.29 | 3.13    | 79.50  | 1.03          | 26.09  | 1.15          | 29.08 | 0.25        | 6.35  | 0.44     | 11.10 |      |       |
|                            | 129     |                      | 1.47         | 37.29 | 4.13    | 104.90 | 1.03          | 26.09  | 1.15          | 29.08 | 0.25        | 6.35  | 0.44     | 11.10 |      |       |
| 24                         | 142     | 24                   | 1.47         | 37.29 | 3.13    | 79.50  | 1.38          | 34.93  | 2.11          | 53.67 | 0.88        | 22.23 | 1.03     | 26.14 |      |       |
|                            | 143     |                      | 1.47         | 37.29 | 4.13    | 104.90 | 1.38          | 34.93  | 2.11          | 53.67 | 0.88        | 22.23 | 1.03     | 26.14 |      |       |
|                            | 47      |                      | 1.59         | 40.46 | 3.13    | 79.50  | 1.06          | 26.90  | 1.55          | 39.40 | 0.50        | 12.70 | 0.75     | 19.05 |      |       |
|                            | 48      |                      | 1.59         | 40.46 | 4.13    | 104.90 | 1.06          | 26.90  | 1.55          | 39.40 | 0.50        | 12.70 | 0.75     | 19.05 |      |       |
|                            | 49      |                      | 1.59         | 40.46 | 3.13    | 79.50  | 1.16          | 29.36  | 1.77          | 44.96 | 0.63        | 15.88 | 0.81     | 20.62 |      |       |
|                            | 50      |                      | 1.59         | 40.46 | 4.13    | 104.90 | 1.16          | 29.36  | 1.77          | 44.96 | 0.63        | 15.88 | 0.81     | 20.62 |      |       |
|                            | 51      |                      | 1.59         | 40.46 | 3.13    | 79.50  | 1.16          | 29.36  | 1.77          | 44.96 | 0.63        | 15.88 | 0.94     | 23.80 |      |       |
|                            | 52      |                      | 1.59         | 40.46 | 4.13    | 104.90 | 1.16          | 29.36  | 1.77          | 44.96 | 0.63        | 15.88 | 0.94     | 23.80 |      |       |
|                            | 53*     |                      | 1.59         | 40.46 | 3.88    | 98.55  | 1.38          | 34.93  | 2.11          | 53.67 | 0.88        | 22.23 | 1.25     | 31.75 |      |       |
|                            | 54*     |                      | 1.59         | 40.46 | 4.88    | 123.95 | 1.38          | 34.93  | 2.11          | 53.67 | 0.88        | 22.23 | 1.25     | 31.75 |      |       |
|                            | 130     |                      | 1.59         | 40.46 | 3.13    | 79.50  | 1.03          | 26.09  | 1.33          | 33.83 | 0.35        | 8.89  | 0.63     | 15.88 |      |       |
|                            | 131     |                      | 1.59         | 40.46 | 4.13    | 104.90 | 1.03          | 26.09  | 1.33          | 33.83 | 0.35        | 8.89  | 0.63     | 15.88 |      |       |
| 28                         | 144     | 28                   | 1.59         | 40.46 | 3.13    | 79.50  | 1.38          | 34.93  | 2.11          | 53.67 | 0.88        | 22.23 | 1.14     | 29.06 |      |       |
|                            | 145     |                      | 1.59         | 40.46 | 4.13    | 104.90 | 1.38          | 34.93  | 2.11          | 53.67 | 0.88        | 22.23 | 1.14     | 29.06 |      |       |
|                            | 55      |                      | 1.97         | 50.01 | 3.13    | 79.50  | 1.06          | 26.90  | 1.55          | 39.40 | 0.50        | 12.70 | 0.75     | 19.05 |      |       |
|                            | 56      |                      | 1.97         | 50.01 | 4.13    | 104.90 | 1.06          | 26.90  | 1.55          | 39.40 | 0.50        | 12.70 | 0.75     | 19.05 |      |       |
|                            | 57      |                      | 1.97         | 50.01 | 3.13    | 79.50  | 1.16          | 29.36  | 1.77          | 44.96 | 0.63        | 15.88 | 0.94     | 23.80 |      |       |
|                            | 58      |                      | 1.97         | 50.01 | 4.13    | 104.90 | 1.16          | 29.36  | 1.77          | 44.96 | 0.63        | 15.88 | 0.94     | 23.80 |      |       |

\* Denotes Style-2 (see page 486)

For more cable entry and length options see page 486 or email: sales@backshellworld.com

All dimensions for reference only.

TABLE CONTINUES ON NEXT PAGE

# Non-Environmental EMI/RFI Backshell

## Straight, Spin Coupling, cont.



### For Connector Family J

26482 Matrix Series 2

5015 Matrix (MS345X)

Connector Family "J", includes:  
MIL-DTL-26482 Series 2,  
MIL-DTL-5015 Matrix (MS345X)  
MIL-DTL-83723 Series III

83723 Matrix & Pyle Series III

| MIL PART NUMBER DESIGNATOR |         | CONNECTOR SHELL SIZE | TABLE-A      |        |         |        |               |       |               |        |             |       |          |       |
|----------------------------|---------|----------------------|--------------|--------|---------|--------|---------------|-------|---------------|--------|-------------|-------|----------|-------|
| SHELL SIZE                 | DASH NO |                      | A DIA. (MAX) |        | B (MAX) |        | C (REF) L MAX |       | G (MAX) L MAX |        | CABLE RANGE |       |          |       |
|                            |         |                      | INCH         | MM     | INCH    | MM     | INCH          | MM    | INCH          | MM     | MIN WIRE    |       | MAX WIRE |       |
|                            |         |                      |              |        |         |        |               |       |               | INCH   | MM          | INCH  | MM       |       |
| 28, cont.                  | 59      | 28                   | 1.97         | 50.01  | 3.13    | 79.50  | 1.38          | 34.93 | 2.11          | 53.67  | 0.88        | 22.23 | 1.25     | 31.75 |
|                            | 60      |                      | 1.97         | 50.01  | 4.13    | 104.90 | 1.38          | 34.93 | 2.11          | 53.67  | 0.88        | 22.23 | 1.25     | 31.75 |
|                            | 61      |                      | 1.97         | 50.01  | 3.13    | 79.50  | 1.50          | 38.10 | 23.63         | 600.20 | 1.00        | 25.40 | 1.38     | 34.93 |
|                            | 62      |                      | 1.97         | 50.01  | 4.13    | 104.90 | 1.50          | 38.10 | 2.36          | 60.02  | 1.00        | 25.40 | 1.38     | 34.93 |
| 32                         | 63      | 32                   | 2.22         | 56.36  | 3.13    | 79.50  | 1.16          | 29.36 | 1.77          | 44.96  | 0.63        | 15.88 | 0.94     | 23.80 |
|                            | 64      |                      | 2.22         | 56.36  | 4.13    | 104.90 | 1.16          | 29.36 | 1.77          | 44.96  | 0.63        | 15.88 | 0.94     | 23.80 |
|                            | 65      |                      | 2.22         | 56.36  | 3.13    | 79.50  | 1.38          | 34.93 | 2.11          | 53.67  | 0.88        | 22.23 | 1.25     | 31.75 |
|                            | 66      |                      | 2.22         | 56.36  | 4.13    | 104.90 | 1.38          | 34.93 | 2.11          | 53.67  | 0.88        | 22.23 | 1.25     | 31.75 |
|                            | 67      |                      | 2.22         | 56.36  | 3.13    | 79.50  | 1.50          | 38.10 | 2.36          | 60.02  | 1.00        | 25.40 | 1.38     | 34.93 |
|                            | 68      |                      | 2.22         | 56.36  | 4.13    | 104.90 | 1.50          | 38.10 | 2.36          | 60.02  | 1.00        | 25.40 | 1.38     | 34.93 |
|                            | 69      |                      | 2.22         | 56.36  | 3.13    | 79.50  | 1.78          | 45.24 | 2.77          | 70.36  | 1.25        | 31.75 | 1.63     | 41.28 |
|                            | 70      |                      | 2.22         | 56.36  | 4.13    | 104.90 | 1.78          | 45.24 | 2.77          | 70.36  | 1.25        | 31.75 | 1.63     | 41.28 |
| 36                         | 71      | 36                   | 2.47         | 62.71  | 4.13    | 104.90 | 1.38          | 34.93 | 2.11          | 53.67  | 0.88        | 22.23 | 1.25     | 31.75 |
|                            | 72      |                      | 2.47         | 62.71  | 5.13    | 130.30 | 1.38          | 34.93 | 2.11          | 53.67  | 0.88        | 22.23 | 1.25     | 31.75 |
|                            | 73      |                      | 2.47         | 62.71  | 4.13    | 104.90 | 1.50          | 38.10 | 2.36          | 60.02  | 1.00        | 25.40 | 1.38     | 34.93 |
|                            | 74      |                      | 2.47         | 62.71  | 5.13    | 130.30 | 1.50          | 38.10 | 2.36          | 60.02  | 1.00        | 25.40 | 1.38     | 34.93 |
|                            | 75      |                      | 2.47         | 62.71  | 4.13    | 104.90 | 1.78          | 45.24 | 2.77          | 70.36  | 1.25        | 31.75 | 1.63     | 41.28 |
|                            | 76      |                      | 2.47         | 62.71  | 5.13    | 130.30 | 1.78          | 45.24 | 2.77          | 70.36  | 1.25        | 31.75 | 1.63     | 41.28 |
|                            | 77*     |                      | 2.47         | 62.71  | 5.01    | 127.25 | 1.83          | 46.48 | 3.02          | 76.71  | 1.44        | 36.50 | 1.88     | 47.63 |
|                            | 78*     |                      | 2.47         | 62.71  | 6.01    | 152.65 | 1.83          | 46.48 | 3.02          | 76.71  | 1.44        | 36.50 | 1.88     | 47.63 |
|                            | 132     |                      | 2.47         | 62.71  | 4.13    | 104.90 | 1.06          | 26.90 | 1.55          | 39.40  | 0.50        | 12.70 | 0.75     | 19.05 |
|                            | 133     |                      | 2.47         | 62.71  | 5.13    | 130.30 | 1.06          | 26.90 | 1.55          | 39.40  | 0.50        | 12.70 | 0.75     | 19.05 |
|                            | 146     |                      | 2.47         | 62.71  | 4.13    | 104.90 | 1.83          | 46.48 | 3.02          | 76.71  | 1.44        | 36.50 | 1.84     | 46.74 |
|                            | 147     |                      | 2.47         | 62.71  | 5.13    | 130.30 | 1.83          | 46.48 | 3.02          | 76.71  | 1.44        | 36.50 | 1.84     | 46.74 |
| 148                        | 2.47    | 62.71                | 4.13         | 104.90 | 1.16    | 29.36  | 1.77          | 44.96 | 0.63          | 15.88  | 0.94        | 23.80 |          |       |
| 149                        | 2.47    | 62.71                | 5.13         | 130.30 | 1.16    | 29.36  | 1.77          | 44.96 | 0.63          | 15.88  | 0.94        | 23.80 |          |       |
| 40                         | 79      | 40                   | 2.72         | 69.06  | 4.13    | 104.90 | 1.38          | 34.93 | 2.11          | 53.67  | 0.88        | 22.23 | 1.25     | 31.75 |
|                            | 80      |                      | 2.72         | 69.06  | 5.13    | 130.30 | 1.38          | 34.93 | 2.11          | 53.67  | 0.88        | 22.23 | 1.25     | 31.75 |
|                            | 81      |                      | 2.72         | 69.06  | 4.13    | 104.90 | 1.50          | 38.10 | 2.36          | 60.02  | 1.00        | 25.40 | 1.38     | 34.93 |
|                            | 82      |                      | 2.72         | 69.06  | 5.13    | 130.30 | 1.50          | 38.10 | 2.36          | 60.02  | 1.00        | 25.40 | 1.38     | 34.93 |
|                            | 83      |                      | 2.72         | 69.06  | 4.13    | 104.90 | 1.78          | 45.24 | 2.77          | 70.36  | 1.25        | 31.75 | 1.63     | 41.28 |
|                            | 84      |                      | 2.72         | 69.06  | 5.13    | 130.30 | 1.78          | 45.24 | 2.77          | 70.36  | 1.25        | 31.75 | 1.63     | 41.28 |
|                            | 85      |                      | 2.72         | 69.06  | 4.13    | 104.90 | 1.83          | 46.48 | 3.02          | 76.71  | 1.44        | 36.50 | 1.88     | 47.63 |
|                            | 86      |                      | 2.72         | 69.06  | 5.13    | 130.30 | 1.83          | 46.48 | 3.02          | 76.71  | 1.44        | 36.50 | 1.88     | 47.63 |
|                            | 134     |                      | 2.72         | 69.06  | 4.13    | 104.90 | 1.06          | 26.90 | 1.55          | 39.40  | 0.50        | 12.70 | 0.75     | 19.05 |
|                            | 135     |                      | 2.72         | 69.06  | 5.13    | 130.30 | 1.06          | 26.90 | 1.55          | 39.40  | 0.50        | 12.70 | 0.75     | 19.05 |
|                            | 156     |                      | 2.72         | 69.06  | 4.13    | 104.90 | 1.16          | 29.36 | 1.77          | 44.96  | 0.63        | 15.88 | 0.94     | 23.80 |
| 157                        | 2.72    | 69.06                | 5.13         | 130.30 | 1.16    | 29.36  | 1.77          | 44.96 | 0.63          | 15.88  | 0.94        | 23.80 |          |       |
| 44                         | 87      | 44                   | 2.97         | 75.41  | 4.13    | 104.90 | 1.38          | 34.93 | 2.11          | 53.67  | 0.88        | 22.23 | 1.25     | 31.75 |
|                            | 88      |                      | 2.97         | 75.41  | 5.13    | 130.30 | 1.38          | 34.93 | 2.11          | 53.67  | 0.88        | 22.23 | 1.25     | 31.75 |
|                            | 89      |                      | 2.97         | 75.41  | 4.13    | 104.90 | 1.50          | 38.10 | 2.36          | 60.02  | 1.00        | 25.40 | 1.38     | 34.93 |
|                            | 90      |                      | 2.97         | 75.41  | 5.13    | 130.30 | 1.50          | 38.10 | 2.36          | 60.02  | 1.00        | 25.40 | 1.38     | 34.93 |
|                            | 91      |                      | 2.97         | 75.41  | 4.13    | 104.90 | 1.78          | 45.24 | 2.77          | 70.36  | 1.25        | 31.75 | 1.63     | 41.28 |
|                            | 92      |                      | 2.97         | 75.41  | 5.13    | 130.30 | 1.78          | 45.24 | 2.77          | 70.36  | 1.25        | 31.75 | 1.63     | 41.28 |
|                            | 93      |                      | 2.97         | 75.41  | 4.13    | 104.90 | 1.83          | 46.48 | 3.02          | 76.71  | 1.44        | 36.50 | 1.88     | 47.63 |
|                            | 94      |                      | 2.97         | 75.41  | 5.13    | 130.30 | 1.83          | 46.48 | 3.02          | 76.71  | 1.44        | 36.50 | 1.88     | 47.63 |
|                            | 154     |                      | 2.97         | 75.41  | 4.13    | 104.90 | 1.16          | 29.36 | 1.77          | 44.96  | 0.63        | 15.88 | 0.94     | 23.80 |
| 155                        | 2.97    | 75.41                | 5.13         | 130.30 | 1.16    | 29.36  | 1.77          | 44.96 | 0.63          | 15.88  | 0.94        | 23.80 |          |       |
| 48                         | 95      | 48                   | 3.22         | 81.76  | 4.13    | 104.90 | 1.38          | 34.93 | 2.11          | 53.67  | 0.88        | 22.23 | 1.25     | 31.75 |
|                            | 96      |                      | 3.22         | 81.76  | 5.13    | 130.30 | 1.38          | 34.93 | 2.11          | 53.67  | 0.88        | 22.23 | 1.25     | 31.75 |
|                            | 97      |                      | 3.22         | 81.76  | 4.13    | 104.90 | 1.50          | 38.10 | 2.36          | 60.02  | 1.00        | 25.40 | 1.38     | 34.93 |
|                            | 98      |                      | 3.22         | 81.76  | 5.13    | 130.30 | 1.50          | 38.10 | 2.36          | 60.02  | 1.00        | 25.40 | 1.38     | 34.93 |
|                            | 99      |                      | 3.22         | 81.76  | 4.13    | 104.90 | 1.78          | 45.24 | 2.77          | 70.36  | 1.25        | 31.75 | 1.63     | 41.28 |
|                            | 100     |                      | 3.22         | 81.76  | 5.13    | 130.30 | 1.78          | 45.24 | 2.77          | 70.36  | 1.25        | 31.75 | 1.63     | 41.28 |
|                            | 101     |                      | 3.22         | 81.76  | 4.13    | 104.90 | 1.83          | 46.48 | 3.02          | 76.71  | 1.44        | 36.50 | 1.88     | 47.63 |
|                            | 102     |                      | 3.22         | 81.76  | 5.13    | 130.30 | 1.83          | 46.48 | 3.02          | 76.71  | 1.44        | 36.50 | 1.88     | 47.63 |

All dimensions for reference only.

\* Denotes Style-2 (see page 486). For more cable entry and length options see page 486 or email: sales@backshellworld.com.

38999

- III
- HD
- Dualok
- II
- I
- SJT
- Accessories
- Aquacon
- Herm/Seal
- PCB
- Fiber Optics
- High Speed
- Contacts
- EMI Filter
- Transient
- Matrix 2
- 83723 III
- Matrix Pyle
- Pyle
- 26500
- 5015 Crimp Rear Release Matrix
- Class I
- 22992
- Backshells
- Options
- Others

### For Connector Family J

26482 Matrix Series 2

5015 Matrix (MS345X)

83723 Matrix & Pyle Series III

Connector Family "J", includes:  
MIL-DTL-26482 Series 2,  
MIL-DTL-5015 Matrix (MS345X)  
MIL-DTL-83723 Series III



**MIL Part Number**  
**M85049 / 23 -10 W**

MIL Series: \_\_\_\_\_  
Slash Sheet: \_\_\_\_\_  
24: 90°, Spin Coupling  
23: 45°, Spin Coupling

Finish: See Table-2 (pg. 486)  
Dash Number: See Table-B

TABLE-B

| MIL PART NUMBER DESIGNATOR |         | CONNECTOR SHELL SIZE | A DIA. (MAX) |       | B (REF) L MAX |       | C (MAX) |       | D (MAX) |       | E (MAX) |       | F (MAX) |       | G (MAX) |       | CABLE RANGE |          |          |          |
|----------------------------|---------|----------------------|--------------|-------|---------------|-------|---------|-------|---------|-------|---------|-------|---------|-------|---------|-------|-------------|----------|----------|----------|
| SHELL SIZE                 | DASH NO |                      | INCH         | MM    | INCH          | MM    | INCH    | MM    | INCH    | MM    | INCH    | MM    | INCH    | MM    | INCH    | MM    | MIN WIRE    | MAX WIRE | MIN WIRE | MAX WIRE |
| 8                          | 3       | 8                    | 0.62         | 15.67 | 1.03          | 26.09 | 0.67    | 17.02 | 1.26    | 32.00 | 0.63    | 16.00 | 1.25    | 31.75 | 0.96    | 24.31 | 0.13        | 3.18     | 0.25     | 6.35     |
| 10                         | 4       | 10                   | 0.73         | 18.64 | 1.03          | 26.09 | 0.76    | 19.30 | 1.98    | 50.29 | 0.69    | 17.53 | 1.92    | 48.77 | 0.96    | 24.31 | 0.13        | 3.18     | 0.31     | 7.92     |
|                            | 49*     |                      | 0.73         | 18.64 | 1.03          | 26.09 | 1.52    | 38.61 | 2.00    | 50.80 | 1.50    | 38.10 | 1.98    | 50.29 | 1.15    | 29.08 | 0.25        | 6.35     | 0.44     | 11.10    |
| 12                         | 5       | 7/12                 | 0.73         | 18.64 | 1.03          | 26.09 | 0.76    | 19.30 | 1.38    | 35.05 | 0.69    | 17.53 | 1.31    | 33.27 | 1.15    | 29.08 | 0.25        | 6.35     | 0.38     | 9.53     |
|                            | 6       |                      | 0.86         | 21.79 | 1.03          | 26.09 | 0.77    | 19.56 | 2.00    | 50.80 | 0.75    | 19.05 | 1.98    | 50.29 | 0.96    | 24.31 | 0.13        | 3.18     | 0.31     | 7.92     |
|                            | 71*     |                      | 0.86         | 21.79 | 1.03          | 26.09 | 1.81    | 45.97 | 2.16    | 54.86 | 1.65    | 41.91 | 2.18    | 55.37 | 1.33    | 33.83 | 0.35        | 8.89     | 0.63     | 15.88    |
|                            | 7       |                      | 0.86         | 21.79 | 1.03          | 26.09 | 0.77    | 19.56 | 2.00    | 50.80 | 0.75    | 19.05 | 1.98    | 50.29 | 1.15    | 29.08 | 0.25        | 6.35     | 0.44     | 11.10    |
| 14                         | 8       | 12/14                | 0.86         | 21.79 | 1.03          | 26.09 | 0.77    | 19.56 | 1.40    | 35.56 | 0.75    | 19.05 | 1.98    | 50.29 | 1.33    | 33.83 | 0.35        | 8.89     | 0.50     | 12.70    |
|                            | 9       |                      | 0.98         | 24.99 | 1.03          | 26.09 | 0.87    | 22.10 | 2.07    | 52.58 | 0.81    | 20.57 | 2.07    | 52.58 | 1.15    | 29.08 | 0.25        | 6.35     | 0.44     | 11.10    |
|                            | 10      |                      | 0.98         | 24.99 | 1.03          | 26.09 | 0.87    | 22.10 | 1.72    | 43.69 | 0.81    | 20.57 | 1.72    | 43.69 | 1.33    | 33.83 | 0.35        | 8.89     | 0.58     | 14.61    |
|                            | 50*     |                      | 0.98         | 24.99 | 1.06          | 26.90 | 1.89    | 48.01 | 2.33    | 59.18 | 1.84    | 46.74 | 2.37    | 60.20 | 1.55    | 39.40 | 0.50        | 12.70    | 0.75     | 19.05    |
| 16                         | 74      | 19/16                | 0.98         | 24.99 | 1.03          | 26.09 | 0.87    | 22.10 | 2.07    | 52.58 | 0.81    | 20.57 | 2.07    | 52.58 | 0.96    | 24.31 | 0.13        | 3.18     | 0.31     | 7.92     |
|                            | 11      |                      | 1.11         | 28.24 | 1.03          | 26.09 | 1.05    | 26.67 | 2.16    | 54.86 | 0.91    | 23.11 | 2.18    | 55.37 | 1.15    | 29.08 | 0.25        | 6.35     | 0.44     | 11.10    |
|                            | 12      |                      | 1.11         | 28.24 | 1.06          | 26.90 | 1.05    | 26.67 | 1.81    | 45.97 | 0.91    | 23.11 | 1.82    | 46.23 | 1.55    | 39.40 | 0.50        | 12.70    | 0.70     | 17.78    |
|                            | 40      |                      | 1.11         | 28.24 | 1.03          | 26.09 | 1.05    | 26.67 | 2.16    | 54.86 | 0.91    | 23.11 | 2.18    | 55.37 | 1.33    | 33.83 | 0.35        | 8.89     | 0.63     | 15.88    |
|                            | 51*     |                      | 1.11         | 28.24 | 1.16          | 29.36 | 2.04    | 51.82 | 2.44    | 61.98 | 1.94    | 49.28 | 2.52    | 64.01 | 1.77    | 44.96 | 0.63        | 15.88    | 0.94     | 23.80    |
|                            | 75      |                      | 1.11         | 28.24 | 1.03          | 26.09 | 1.05    | 26.67 | 2.16    | 54.86 | 0.91    | 23.11 | 2.18    | 55.37 | 0.96    | 24.31 | 0.13        | 3.18     | 0.31     | 7.92     |

\* Denotes Style-2 (see page 486)

TABLE CONTINUES ON NEXT PAGE

For more cable entry and length options see page 486 or email: [sales@backshellworld.com](mailto:sales@backshellworld.com)  
All dimensions for reference only.

38999

III

HD

Dualok

II

I

SJT

Accessories

Aquacon

Herm/Seal

PCB

High Speed

Fiber Optics

Contacts

EMI Filter Transient

26482 Matrix 2

83723 III Matrix | Pyle

26500 Pyle

5015 Crimp Rear Release Matrix

22992 Class L

Back-Shells

Options Others



# Non-Environmental EMI/RFI Backshell

90° and 45°, Spin Coupling, cont.



## For Connector Family J

**26482 Matrix Series 2**

**5015 Matrix (MS345X)**

**83723 Matrix & Pyle Series III**

Connector Family "J", includes:  
MIL-DTL-26482 Series 2,  
MIL-DTL-5015 Matrix (MS345X)  
MIL-DTL-83723 Series III

38999

|              |            |            |          |       |       |                           |         |            |         |
|--------------|------------|------------|----------|-------|-------|---------------------------|---------|------------|---------|
| III          | High Speed | EMI Filter | 26482    | 83723 | 26500 | 5015                      | 22992   | Back-Shell | Options |
| HD           |            | Transient  | Matrix 2 | III   | Pyle  | Crimp Rear Release Matrix | Class 1 | Shells     | Others  |
| Dualok       |            |            |          |       |       |                           |         |            |         |
| II           |            |            |          |       |       |                           |         |            |         |
| I            |            |            |          |       |       |                           |         |            |         |
| SJT          |            |            |          |       |       |                           |         |            |         |
| Accessories  |            |            |          |       |       |                           |         |            |         |
| Aquacon      |            |            |          |       |       |                           |         |            |         |
| Herm/Seal    |            |            |          |       |       |                           |         |            |         |
| PCB          |            |            |          |       |       |                           |         |            |         |
| Fiber Optics |            |            |          |       |       |                           |         |            |         |
| Contacts     |            |            |          |       |       |                           |         |            |         |

| MIL PART NUMBER DESIGNATOR |         | CONNECTOR SHELL SIZE | TABLE-B      |       |               |       |         |       |         |       |         |       |         |       |         |       |             |          |          |          |
|----------------------------|---------|----------------------|--------------|-------|---------------|-------|---------|-------|---------|-------|---------|-------|---------|-------|---------|-------|-------------|----------|----------|----------|
| SHELL SIZE                 | DASH NO |                      | A DIA. (MAX) |       | B (REF) L MAX |       | C (MAX) |       | D (MAX) |       | E (MAX) |       | F (MAX) |       | G (MAX) |       | CABLE RANGE |          |          |          |
|                            |         |                      | INCH         | MM    | INCH          | MM    | INCH    | MM    | INCH    | MM    | INCH    | MM    | INCH    | MM    | INCH    | MM    | MIN WIRE    | MAX WIRE | MIN WIRE | MAX WIRE |
| 18                         | 13      | 27/18                | 1.22         | 30.94 | 1.03          | 26.09 | 1.14    | 28.96 | 2.33    | 59.18 | 1.09    | 27.69 | 2.37    | 60.20 | 1.33    | 33.83 | 0.35        | 8.89     | 0.63     | 15.88    |
|                            | 14      |                      | 1.22         | 30.94 | 1.16          | 29.36 | 1.14    | 28.96 | 1.98    | 50.29 | 1.09    | 27.69 | 2.00    | 50.80 | 1.77    | 44.96 | 0.63        | 15.88    | 0.78     | 19.79    |
|                            | 41      |                      | 1.22         | 30.94 | 1.03          | 26.09 | 1.14    | 28.96 | 2.33    | 59.18 | 1.09    | 27.69 | 2.37    | 60.20 | 0.96    | 24.31 | 0.13        | 3.18     | 0.31     | 7.92     |
|                            | 42      |                      | 1.22         | 30.94 | 1.03          | 26.09 | 1.14    | 28.96 | 2.33    | 59.18 | 1.09    | 27.69 | 2.37    | 60.20 | 1.15    | 29.08 | 0.25        | 6.35     | 0.44     | 11.10    |
|                            | 52      |                      | 1.22         | 30.94 | 1.06          | 26.90 | 1.14    | 28.96 | 2.33    | 59.18 | 1.09    | 27.69 | 2.37    | 60.20 | 1.55    | 39.40 | 0.50        | 12.70    | 0.75     | 19.05    |
| 72*                        | 1.22    | 30.94                | 1.16         | 29.36 | 2.05          | 52.07 | 2.44    | 61.98 | 1.94    | 49.28 | 2.52    | 64.01 | 1.77    | 44.96 | 0.63    | 15.88 | 0.94        | 23.80    |          |          |
| 20                         | 15      | 37/20                | 1.35         | 34.16 | 1.03          | 26.09 | 1.14    | 28.96 | 2.33    | 59.18 | 1.09    | 27.69 | 2.37    | 60.20 | 1.33    | 33.83 | 0.35        | 8.89     | 0.63     | 15.88    |
|                            | 16      |                      | 1.35         | 34.16 | 1.16          | 29.36 | 1.14    | 28.96 | 1.98    | 50.29 | 1.09    | 27.69 | 2.00    | 50.80 | 1.77    | 44.96 | 0.63        | 15.88    | 0.90     | 22.96    |
|                            | 43      |                      | 1.35         | 34.16 | 1.03          | 26.09 | 1.14    | 28.96 | 2.33    | 59.18 | 1.09    | 27.69 | 2.37    | 60.20 | 1.15    | 29.08 | 0.25        | 6.35     | 0.44     | 11.10    |
|                            | 54      |                      | 1.35         | 34.16 | 1.06          | 26.90 | 1.14    | 28.96 | 2.33    | 59.18 | 1.09    | 27.69 | 2.37    | 60.20 | 1.55    | 39.40 | 0.50        | 12.70    | 0.75     | 19.05    |
| 55                         | 1.35    | 34.16                | 1.38         | 34.93 | 2.14          | 54.36 | 2.61    | 66.29 | 2.06    | 52.32 | 2.57    | 65.28 | 2.11    | 53.67 | 0.88    | 22.23 | 1.25        | 31.75    |          |          |
| 22                         | 17      | 22                   | 1.47         | 37.29 | 1.06          | 26.90 | 1.29    | 32.77 | 2.44    | 61.98 | 1.19    | 30.23 | 2.52    | 64.01 | 1.55    | 39.40 | 0.50        | 12.70    | 0.75     | 19.05    |
|                            | 18      |                      | 1.47         | 37.29 | 1.38          | 34.93 | 1.29    | 32.77 | 2.09    | 53.09 | 1.19    | 30.23 | 2.16    | 54.86 | 2.11    | 53.67 | 0.88        | 22.23    | 1.03     | 26.14    |
|                            | 44      |                      | 1.47         | 37.29 | 1.03          | 26.09 | 1.29    | 32.77 | 2.44    | 61.98 | 1.19    | 30.23 | 2.52    | 64.01 | 0.96    | 24.31 | 0.13        | 3.18     | 0.31     | 7.92     |
|                            | 45      |                      | 1.47         | 37.29 | 1.03          | 26.09 | 1.29    | 32.77 | 2.44    | 61.98 | 1.19    | 30.23 | 2.52    | 64.01 | 1.15    | 29.08 | 0.25        | 6.35     | 0.44     | 11.10    |
|                            | 56      |                      | 1.47         | 37.29 | 1.03          | 26.09 | 1.29    | 32.77 | 2.44    | 61.98 | 1.19    | 30.23 | 2.52    | 64.01 | 1.33    | 33.83 | 0.35        | 8.89     | 0.63     | 15.88    |
|                            | 57      |                      | 1.47         | 37.29 | 1.16          | 29.36 | 1.29    | 32.77 | 2.44    | 61.98 | 1.19    | 30.23 | 2.52    | 64.01 | 1.77    | 44.96 | 0.63        | 15.88    | 0.94     | 23.80    |
| 58*                        | 1.47    | 37.29                | 1.38         | 34.93 | 2.14          | 54.36 | 2.61    | 66.29 | 2.06    | 52.32 | 2.57    | 65.28 | 2.11    | 53.67 | 0.88    | 22.23 | 1.25        | 31.75    |          |          |
| 24                         | 19      | 24                   | 1.59         | 40.46 | 1.06          | 26.90 | 1.29    | 32.77 | 2.44    | 61.98 | 1.19    | 30.23 | 2.52    | 64.01 | 1.55    | 39.40 | 0.50        | 12.70    | 0.75     | 19.05    |
|                            | 20      |                      | 1.59         | 40.46 | 1.38          | 34.93 | 1.29    | 32.77 | 2.09    | 53.09 | 1.19    | 30.23 | 2.16    | 54.86 | 2.11    | 53.67 | 0.88        | 22.23    | 1.14     | 29.06    |
|                            | 46      |                      | 1.59         | 40.46 | 1.03          | 26.09 | 1.29    | 32.77 | 2.44    | 61.98 | 1.19    | 30.23 | 2.52    | 64.01 | 1.33    | 33.83 | 0.35        | 8.89     | 0.63     | 15.88    |
|                            | 59      |                      | 1.59         | 40.46 | 1.16          | 29.36 | 1.29    | 32.77 | 2.44    | 61.98 | 1.19    | 30.23 | 2.52    | 64.01 | 1.77    | 44.96 | 0.63        | 15.88    | 0.94     | 23.80    |
|                            | 73*     |                      | 1.59         | 40.46 | 1.38          | 34.93 | 2.15    | 54.61 | 2.61    | 66.29 | 2.06    | 52.32 | 2.57    | 65.28 | 2.12    | 53.75 | 0.88        | 22.23    | 1.25     | 31.75    |
| 28                         | 21      | 28                   | 1.97         | 50.01 | 1.16          | 29.36 | 1.39    | 35.31 | 2.61    | 66.29 | 1.31    | 33.27 | 2.57    | 65.28 | 1.77    | 44.96 | 0.63        | 15.88    | 0.94     | 23.80    |
|                            | 22      |                      | 1.97         | 50.01 | 1.50          | 38.10 | 1.39    | 35.31 | 2.26    | 57.40 | 1.31    | 33.27 | 2.22    | 56.39 | 2.36    | 60.02 | 1.00        | 25.40    | 1.38     | 34.93    |
|                            | 60      |                      | 1.97         | 50.01 | 1.06          | 26.90 | 1.39    | 35.31 | 2.61    | 66.29 | 1.31    | 33.27 | 2.57    | 65.28 | 1.55    | 39.40 | 0.50        | 12.70    | 0.75     | 19.05    |
|                            | 61      |                      | 1.97         | 50.01 | 1.38          | 34.93 | 1.39    | 35.31 | 2.61    | 66.29 | 1.31    | 33.27 | 2.57    | 65.28 | 2.11    | 53.67 | 0.88        | 22.23    | 1.25     | 31.75    |
| 32                         | 23      | 32                   | 2.22         | 56.36 | 1.16          | 29.36 | 1.74    | 44.20 | 2.86    | 72.64 | 1.38    | 35.05 | 2.67    | 67.82 | 1.77    | 44.96 | 0.63        | 15.88    | 0.94     | 23.80    |
|                            | 24      |                      | 2.22         | 56.36 | 1.38          | 34.93 | 1.74    | 44.20 | 2.86    | 72.64 | 1.38    | 35.05 | 2.67    | 67.82 | 2.11    | 53.67 | 0.88        | 22.23    | 1.25     | 31.75    |
|                            | 25      |                      | 2.22         | 56.36 | 1.78          | 45.24 | 1.74    | 44.20 | 2.51    | 63.75 | 1.38    | 35.05 | 2.32    | 58.93 | 2.77    | 70.36 | 1.25        | 31.75    | 1.63     | 41.28    |
|                            | 62      |                      | 2.22         | 56.36 | 1.50          | 38.10 | 1.74    | 44.20 | 2.86    | 72.64 | 1.38    | 35.05 | 2.67    | 67.82 | 2.36    | 60.02 | 1.00        | 25.40    | 1.38     | 34.93    |
| 36                         | 26      | 36                   | 2.47         | 62.71 | 1.16          | 29.36 | 1.94    | 49.28 | 2.83    | 71.88 | 1.41    | 35.81 | 2.76    | 70.10 | 1.77    | 44.96 | 0.63        | 15.88    | 0.94     | 23.80    |
|                            | 27      |                      | 2.47         | 62.71 | 1.50          | 38.10 | 1.94    | 49.28 | 2.83    | 71.88 | 1.41    | 35.81 | 2.76    | 70.10 | 2.36    | 60.02 | 1.00        | 25.40    | 1.38     | 34.93    |
|                            | 28      |                      | 2.47         | 62.71 | 1.83          | 46.48 | 1.94    | 49.28 | 2.48    | 62.99 | 1.41    | 35.81 | 2.41    | 61.21 | 3.02    | 76.71 | 1.44        | 36.50    | 1.88     | 47.63    |
|                            | 47      |                      | 2.47         | 62.71 | 1.06          | 26.90 | 1.94    | 49.28 | 2.83    | 71.88 | 1.41    | 35.81 | 2.76    | 70.10 | 1.55    | 39.40 | 0.50        | 12.70    | 0.75     | 19.05    |
|                            | 63      |                      | 2.47         | 62.71 | 1.38          | 34.93 | 1.94    | 49.28 | 2.83    | 71.88 | 1.41    | 35.81 | 2.76    | 70.10 | 2.11    | 53.67 | 0.88        | 22.23    | 1.25     | 31.75    |
| 64                         | 2.47    | 62.71                | 1.78         | 45.24 | 1.94          | 49.28 | 2.83    | 71.88 | 1.41    | 35.81 | 2.76    | 70.10 | 2.77    | 70.36 | 1.25    | 31.75 | 1.63        | 41.28    |          |          |
| 40                         | 29      | 40                   | 2.72         | 69.06 | 1.16          | 29.36 | 2.69    | 68.33 | 2.83    | 71.88 | 2.16    | 54.86 | 2.76    | 70.10 | 1.77    | 44.96 | 0.63        | 15.88    | 0.94     | 23.80    |
|                            | 30      |                      | 2.72         | 69.06 | 1.50          | 38.10 | 2.69    | 68.33 | 2.83    | 71.88 | 2.16    | 54.86 | 2.76    | 70.10 | 2.36    | 60.02 | 1.00        | 25.40    | 1.38     | 34.93    |
|                            | 31      |                      | 2.72         | 69.06 | 1.83          | 46.48 | 2.69    | 68.33 | 2.48    | 62.99 | 2.16    | 54.86 | 2.41    | 61.21 | 3.02    | 76.71 | 1.44        | 36.50    | 1.88     | 47.63    |
|                            | 48      |                      | 2.72         | 69.06 | 1.06          | 26.90 | 1.94    | 49.28 | 2.83    | 71.88 | 2.16    | 54.86 | 2.76    | 70.10 | 1.55    | 39.40 | 0.50        | 12.70    | 0.75     | 19.05    |
|                            | 65      |                      | 2.72         | 69.06 | 1.38          | 34.93 | 2.69    | 68.33 | 2.83    | 71.88 | 2.16    | 54.86 | 2.76    | 70.10 | 2.11    | 53.67 | 0.88        | 22.23    | 1.25     | 31.75    |
| 66                         | 2.72    | 69.06                | 1.78         | 45.24 | 2.69          | 68.33 | 2.83    | 71.88 | 2.16    | 54.86 | 2.76    | 70.10 | 2.77    | 70.36 | 1.25    | 31.75 | 1.63        | 41.28    |          |          |
| 44                         | 32      | 44                   | 2.97         | 75.41 | 1.16          | 29.36 | 2.69    | 68.33 | 2.83    | 71.88 | 2.16    | 54.86 | 2.76    | 70.10 | 1.77    | 44.96 | 0.63        | 15.88    | 0.94     | 23.80    |
|                            | 33      |                      | 2.97         | 75.41 | 1.50          | 38.10 | 2.69    | 68.33 | 2.83    | 71.88 | 2.16    | 54.86 | 2.76    | 70.10 | 2.36    | 60.02 | 1.00        | 25.40    | 1.38     | 34.93    |
|                            | 34      |                      | 2.97         | 75.41 | 1.83          | 46.48 | 2.69    | 68.33 | 2.48    | 62.99 | 2.16    | 54.86 | 2.41    | 61.21 | 3.02    | 76.71 | 1.44        | 36.50    | 1.88     | 47.63    |
|                            | 67      |                      | 2.97         | 75.41 | 1.38          | 34.93 | 2.69    | 68.33 | 2.83    | 71.88 | 2.16    | 54.86 | 2.76    | 70.10 | 2.11    | 53.67 | 0.88        | 22.23    | 1.25     | 31.75    |
| 68                         | 2.97    | 75.41                | 1.78         | 45.24 | 2.69          | 68.33 | 2.83    | 71.88 | 2.16    | 54.86 | 2.76    | 70.10 | 2.77    | 70.36 | 1.25    | 31.75 | 1.63        | 41.28    |          |          |
| 48                         | 35      | 48                   | 3.22         | 81.76 | 1.16          | 29.36 | 2.69    | 68.33 | 2.83    | 71.88 | 2.16    | 54.86 | 2.76    | 70.10 | 1.77    | 44.96 | 0.63        | 15.88    | 0.94     | 23.80    |
|                            | 36      |                      | 3.22         | 81.76 | 1.50          | 38.10 | 2.69    | 68.33 | 2.83    | 71.88 | 2.16    | 54.86 | 2.76    | 70.10 | 2.36    | 60.02 | 1.00        | 25.40    | 1.38     | 34.93    |
|                            | 37      |                      | 3.22         | 81.76 | 1.83          | 46.48 | 2.69    | 68.33 | 2.48    | 62.99 | 2.16    | 54.86 | 2.41    | 61.21 | 3.02    | 76.71 | 1.44        | 36.50    | 1.88     | 47.63    |
|                            | 69      |                      | 3.22         | 81.76 | 1.38          | 34.93 | 2.69    | 68.33 | 2.83    | 71.88 | 2.16    | 54.86 | 2.76    | 70.10 | 2.11    | 53.67 | 0.88        | 22.23    | 1.25     | 31.75    |
| 70                         | 3.22    | 81.76                | 1.78         | 45.24 | 2.69          | 68.33 | 2.83    | 71.88 | 2.16    | 54.86 | 2.76    | 70.10 | 2.77    | 70.36 | 1.25    | 31.75 | 1.63        | 41.28    |          |          |

\* Denotes Style-2 (see page 486)

For more cable entry and length options see page 486 or email: [sales@backshellworld.com](mailto:sales@backshellworld.com)

All dimensions for reference only.

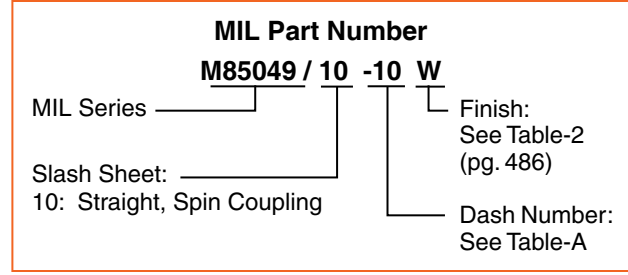
### For Connector Family J

26482 Matrix Series 2

5015 Matrix (MS345X)

83723 Matrix & Pyle Series III

Connector Family "J", includes:  
MIL-DTL-26482 Series 2,  
MIL-DTL-5015 Matrix (MS345X)  
MIL-DTL-83723 Series III



| MIL PART NUMBER DESIGNATOR |         | CONNECTOR SHELL SIZE | A DIA. (MAX) |       | B (MAX) |       | C (REF) L MAX |       | G (MAX) L MAX |       | CABLE RANGE |       |          |       |
|----------------------------|---------|----------------------|--------------|-------|---------|-------|---------------|-------|---------------|-------|-------------|-------|----------|-------|
| SHELL SIZE                 | DASH NO |                      | INCH         | MM    | INCH    | MM    | INCH          | MM    | INCH          | MM    | MIN WIRE    |       | MAX WIRE |       |
|                            |         |                      |              |       |         |       |               |       |               |       | INCH        | MM    | INCH     | MM    |
| 08                         | 05      | 8                    | 0.62         | 15.67 | 2.13    | 54.10 | 1.54          | 39.22 | 0.96          | 24.31 | 0.13        | 3.18  | 0.25     | 6.35  |
|                            | 06      |                      | 0.62         | 15.67 | 3.13    | 79.50 | 1.54          | 39.22 | 0.96          | 24.31 | 0.13        | 3.18  | 0.25     | 6.35  |
|                            | 07*     |                      | 0.62         | 15.67 | 2.88    | 73.15 | 1.54          | 39.22 | 1.15          | 29.08 | 0.25        | 6.35  | 0.44     | 11.10 |
|                            | 08*     |                      | 0.62         | 15.67 | 3.88    | 98.55 | 1.54          | 39.22 | 1.15          | 29.08 | 0.25        | 6.35  | 0.44     | 11.10 |
| 10                         | 09      | 10                   | 0.73         | 18.64 | 2.13    | 54.10 | 1.54          | 39.22 | 0.96          | 24.31 | 0.13        | 3.18  | 0.31     | 7.92  |
|                            | 10      |                      | 0.73         | 18.64 | 3.13    | 79.50 | 1.54          | 39.22 | 0.96          | 24.31 | 0.13        | 3.18  | 0.31     | 7.92  |
|                            | 11*     |                      | 0.73         | 18.64 | 2.88    | 73.15 | 1.54          | 39.22 | 1.15          | 29.08 | 0.25        | 6.35  | 0.44     | 11.10 |
|                            | 12*     |                      | 0.73         | 18.64 | 3.88    | 98.55 | 1.54          | 39.22 | 1.15          | 29.08 | 0.25        | 6.35  | 0.44     | 11.10 |
|                            | 136     |                      | 0.73         | 18.64 | 2.13    | 54.10 | 1.54          | 39.22 | 1.15          | 29.08 | 0.25        | 6.35  | 0.38     | 9.53  |
| 12                         | 137     | 7/12                 | 0.73         | 18.64 | 3.13    | 79.50 | 1.54          | 39.22 | 1.15          | 29.08 | 0.25        | 6.35  | 0.38     | 9.53  |
|                            | 13      |                      | 0.86         | 21.79 | 2.13    | 54.10 | 1.54          | 39.22 | 1.15          | 29.08 | 0.25        | 6.35  | 0.44     | 11.10 |
|                            | 14      |                      | 0.86         | 21.79 | 3.13    | 79.50 | 1.54          | 39.22 | 1.15          | 29.08 | 0.25        | 6.35  | 0.44     | 11.10 |
|                            | 15*     |                      | 0.86         | 21.79 | 2.88    | 73.15 | 1.84          | 46.84 | 1.33          | 33.83 | 0.35        | 8.89  | 0.63     | 15.88 |
|                            | 16*     |                      | 0.86         | 21.79 | 3.88    | 98.55 | 1.84          | 46.84 | 1.33          | 33.83 | 0.35        | 8.89  | 0.63     | 15.88 |
|                            | 111     |                      | 0.86         | 21.79 | 2.13    | 54.10 | 1.84          | 46.84 | 1.33          | 33.83 | 0.35        | 8.89  | 0.50     | 12.70 |
|                            | 114     |                      | 0.86         | 21.79 | 2.13    | 54.10 | 1.54          | 39.22 | 0.96          | 24.31 | 0.13        | 3.18  | 0.31     | 7.92  |
|                            | 115     |                      | 0.86         | 21.79 | 3.13    | 79.50 | 1.54          | 39.22 | 0.96          | 24.31 | 0.13        | 3.18  | 0.31     | 7.92  |
|                            | 138     |                      | 0.86         | 21.79 | 2.13    | 54.10 | 1.84          | 46.84 | 1.33          | 33.83 | 0.35        | 8.89  | 0.50     | 12.70 |
|                            | 139     |                      | 0.86         | 21.79 | 3.13    | 79.50 | 1.84          | 46.84 | 1.33          | 33.83 | 0.35        | 8.89  | 0.50     | 12.70 |
| 14                         | 17      | 12/14                | 0.98         | 24.99 | 2.13    | 54.10 | 1.84          | 46.84 | 1.33          | 33.83 | 0.35        | 8.89  | 0.58     | 14.61 |
|                            | 18      |                      | 0.98         | 24.99 | 3.13    | 79.50 | 1.84          | 46.84 | 1.33          | 33.83 | 0.35        | 8.89  | 0.58     | 14.61 |
|                            | 19*     |                      | 0.98         | 24.99 | 2.88    | 73.15 | 1.92          | 48.67 | 1.55          | 39.40 | 0.50        | 12.70 | 0.75     | 19.05 |
|                            | 20*     |                      | 0.98         | 24.99 | 3.88    | 98.55 | 1.92          | 48.67 | 1.55          | 39.40 | 0.50        | 12.70 | 0.75     | 19.05 |
|                            | 116     |                      | 0.98         | 24.99 | 2.13    | 54.10 | 1.54          | 39.22 | 1.15          | 29.08 | 0.25        | 6.35  | 0.44     | 11.10 |
|                            | 117     |                      | 0.98         | 24.99 | 3.13    | 79.50 | 1.54          | 39.22 | 1.15          | 29.08 | 0.25        | 6.35  | 0.44     | 11.10 |
|                            | 150     |                      | 0.98         | 24.99 | 2.13    | 54.10 | 1.54          | 39.22 | 0.96          | 24.31 | 0.13        | 3.18  | 0.31     | 7.92  |
|                            | 151     |                      | 0.98         | 24.99 | 3.13    | 79.50 | 1.54          | 39.22 | 0.96          | 24.31 | 0.13        | 3.18  | 0.31     | 7.92  |
| 16                         | 21      | 19/16                | 1.11         | 28.24 | 2.13    | 54.10 | 1.92          | 48.67 | 1.55          | 39.40 | 0.50        | 12.70 | 0.70     | 17.78 |
|                            | 22      |                      | 1.11         | 28.24 | 3.13    | 79.50 | 1.92          | 48.67 | 1.55          | 39.40 | 0.50        | 12.70 | 0.70     | 17.78 |
|                            | 23*     |                      | 1.11         | 28.24 | 2.88    | 73.15 | 2.00          | 50.80 | 1.77          | 44.96 | 0.63        | 15.88 | 0.94     | 23.80 |
|                            | 24*     |                      | 1.11         | 28.24 | 3.88    | 98.55 | 2.00          | 50.80 | 1.77          | 44.96 | 0.63        | 15.88 | 0.94     | 23.80 |
|                            | 112     |                      | 1.11         | 28.24 | 2.13    | 54.10 | 1.54          | 39.22 | 1.15          | 29.08 | 0.25        | 6.35  | 0.44     | 11.10 |
|                            | 113     |                      | 1.11         | 28.24 | 3.13    | 79.50 | 1.54          | 39.22 | 1.15          | 29.08 | 0.25        | 6.35  | 0.44     | 11.10 |
|                            | 118     |                      | 1.11         | 28.24 | 2.13    | 54.10 | 1.84          | 46.84 | 1.33          | 33.83 | 0.35        | 8.89  | 0.63     | 15.88 |
|                            | 119     |                      | 1.11         | 28.24 | 3.13    | 79.50 | 1.84          | 46.84 | 1.33          | 33.83 | 0.35        | 8.89  | 0.63     | 15.88 |
|                            | 152     |                      | 1.11         | 28.24 | 2.13    | 54.10 | 1.54          | 39.22 | 0.96          | 24.31 | 0.13        | 3.18  | 0.31     | 7.92  |
|                            | 153     |                      | 1.11         | 28.24 | 3.13    | 79.50 | 1.54          | 39.22 | 0.96          | 24.31 | 0.13        | 3.18  | 0.31     | 7.92  |

\* Denotes Style-2 (see page 486)

TABLE CONTINUES ON NEXT PAGE

For more cable entry and length options see page 486 or email: sales@backshellworld.com

All dimensions for reference only.



# Environmental EMI/RFI Backshell

Straight, Spin Coupling, cont.



## For Connector Family J

Connector Family "J", includes:  
 MIL-DTL-26482 Series 2,  
 MIL-DTL-5015 Matrix (MS345X)  
 MIL-DTL-83723 Series III

26482 Matrix Series 2

5015 Matrix (MS345X)

83723 Matrix & Pyle Series III

38999

- III
- HD
- Dualok
- II
- I
- SJT
- Accessories
- Aquacon
- Herm/Seal
- PCB

- Fiber Optics
- High Speed
- Contacts

- EMI Filter
- Transient

- Matrix 2
- 26482

- Matrix | Pyle
- III
- 83723

- Pyle
- 26500

- Crimp Rear Release Matrix
- 5015

- Class I
- 22992

- Back-Shell

- Options
- Others

| MIL PART NUMBER DESIGNATOR |         | CONNECTOR SHELL SIZE | TABLE - A    |        |         |        |               |       |               |        |             |       |          |       |    |
|----------------------------|---------|----------------------|--------------|--------|---------|--------|---------------|-------|---------------|--------|-------------|-------|----------|-------|----|
| SHELL SIZE                 | DASH NO |                      | A DIA. (MAX) |        | B (MAX) |        | C (REF) L MAX |       | G (MAX) L MAX |        | CABLE RANGE |       |          |       |    |
|                            |         |                      | INCH         | MM     | INCH    | MM     | INCH          | MM    | INCH          | MM     | MIN WIRE    |       | MAX WIRE |       |    |
|                            |         |                      |              |        |         |        |               |       |               |        |             | INCH  | MM       | INCH  | MM |
| 18                         | 25      | 27/18                | 1.22         | 30.94  | 2.13    | 54.10  | 1.84          | 46.84 | 1.33          | 33.83  | 0.35        | 8.89  | 0.63     | 15.88 |    |
|                            | 26      |                      | 1.22         | 30.94  | 3.13    | 79.50  | 1.84          | 46.84 | 1.33          | 33.83  | 0.35        | 8.89  | 0.63     | 15.88 |    |
|                            | 27      |                      | 1.22         | 30.94  | 2.13    | 54.10  | 1.92          | 48.67 | 1.55          | 39.40  | 0.50        | 12.70 | 0.75     | 19.05 |    |
|                            | 28      |                      | 1.22         | 30.94  | 3.13    | 79.50  | 1.92          | 48.67 | 1.55          | 39.40  | 0.50        | 12.70 | 0.75     | 19.05 |    |
|                            | 29*     |                      | 1.22         | 30.94  | 2.88    | 73.15  | 2.00          | 50.80 | 1.77          | 44.96  | 0.63        | 15.88 | 0.94     | 23.80 |    |
|                            | 30*     |                      | 1.22         | 30.94  | 3.88    | 98.55  | 2.00          | 50.80 | 1.77          | 44.96  | 0.63        | 15.88 | 0.94     | 23.80 |    |
|                            | 120     |                      | 1.22         | 30.94  | 2.13    | 54.10  | 1.54          | 39.22 | 0.96          | 24.31  | 0.13        | 3.18  | 0.31     | 7.92  |    |
|                            | 121     |                      | 1.22         | 30.94  | 3.13    | 79.50  | 1.54          | 39.22 | 0.96          | 24.31  | 0.13        | 3.18  | 0.31     | 7.92  |    |
|                            | 122     |                      | 1.22         | 30.94  | 2.13    | 54.10  | 1.54          | 39.22 | 1.15          | 29.08  | 0.25        | 6.35  | 0.44     | 11.10 |    |
|                            | 123     |                      | 1.22         | 30.94  | 3.13    | 79.50  | 1.54          | 39.22 | 1.15          | 29.08  | 0.25        | 6.35  | 0.44     | 11.10 |    |
| 20                         | 31      | 37/20                | 1.35         | 34.16  | 3.13    | 79.50  | 1.84          | 46.84 | 1.33          | 33.83  | 0.35        | 8.89  | 0.63     | 15.88 |    |
|                            | 32      |                      | 1.35         | 34.16  | 4.13    | 104.90 | 1.84          | 46.84 | 1.33          | 33.83  | 0.35        | 8.89  | 0.63     | 15.88 |    |
|                            | 33      |                      | 1.35         | 34.16  | 3.13    | 79.50  | 1.92          | 48.67 | 1.55          | 39.40  | 0.50        | 12.70 | 0.75     | 19.05 |    |
|                            | 34      |                      | 1.35         | 34.16  | 4.13    | 104.90 | 1.92          | 48.67 | 1.55          | 39.40  | 0.50        | 12.70 | 0.75     | 19.05 |    |
|                            | 35*     |                      | 1.35         | 34.16  | 3.88    | 98.55  | 2.00          | 50.80 | 1.77          | 44.96  | 0.63        | 15.88 | 0.94     | 23.80 |    |
|                            | 36*     |                      | 1.35         | 34.16  | 4.88    | 123.95 | 2.00          | 50.80 | 1.77          | 44.96  | 0.63        | 15.88 | 0.94     | 23.80 |    |
|                            | 37*     |                      | 1.35         | 34.16  | 3.88    | 98.55  | 2.23          | 56.64 | 2.11          | 53.67  | 0.88        | 22.23 | 1.25     | 31.75 |    |
|                            | 38*     |                      | 1.35         | 34.16  | 4.88    | 123.95 | 2.23          | 56.64 | 2.11          | 53.67  | 0.88        | 22.23 | 1.25     | 31.75 |    |
|                            | 124     |                      | 1.35         | 34.16  | 3.13    | 79.50  | 1.54          | 39.22 | 1.15          | 29.08  | 0.25        | 6.35  | 0.44     | 11.10 |    |
|                            | 125     |                      | 1.35         | 34.16  | 4.13    | 104.90 | 1.54          | 39.22 | 1.15          | 29.08  | 0.25        | 6.35  | 0.44     | 11.10 |    |
| 140                        | 1.35    | 34.16                | 3.13         | 79.50  | 2.00    | 50.80  | 1.77          | 44.96 | 0.63          | 15.88  | 0.90        | 22.96 |          |       |    |
| 141                        | 1.35    | 34.16                | 4.13         | 104.90 | 2.00    | 50.80  | 1.77          | 44.96 | 0.63          | 15.88  | 0.90        | 22.96 |          |       |    |
| 22                         | 39      | 22                   | 1.47         | 37.29  | 3.13    | 79.50  | 1.84          | 46.84 | 1.33          | 33.83  | 0.35        | 8.89  | 0.63     | 15.88 |    |
|                            | 40      |                      | 1.47         | 37.29  | 4.13    | 104.90 | 1.84          | 46.84 | 1.33          | 33.83  | 0.35        | 8.89  | 0.63     | 15.88 |    |
|                            | 41      |                      | 1.47         | 37.29  | 3.13    | 79.50  | 1.92          | 48.67 | 1.55          | 39.40  | 0.50        | 12.70 | 0.75     | 19.05 |    |
|                            | 42      |                      | 1.47         | 37.29  | 4.13    | 104.90 | 1.92          | 48.67 | 1.55          | 39.40  | 0.50        | 12.70 | 0.75     | 19.05 |    |
|                            | 43      |                      | 1.47         | 37.29  | 3.13    | 79.50  | 2.00          | 50.80 | 1.77          | 44.96  | 0.63        | 15.88 | 0.94     | 23.80 |    |
|                            | 44      |                      | 1.47         | 37.29  | 4.13    | 104.90 | 2.00          | 50.80 | 1.77          | 44.96  | 0.63        | 15.88 | 0.94     | 23.80 |    |
|                            | 45*     |                      | 1.47         | 37.29  | 3.88    | 98.55  | 2.23          | 56.64 | 2.11          | 53.67  | 0.88        | 22.23 | 1.25     | 31.75 |    |
|                            | 46*     |                      | 1.47         | 37.29  | 4.88    | 123.95 | 2.23          | 56.64 | 2.11          | 53.67  | 0.88        | 22.23 | 1.25     | 31.75 |    |
|                            | 126     |                      | 1.47         | 37.29  | 3.13    | 79.50  | 1.54          | 39.22 | 0.96          | 24.31  | 0.13        | 3.18  | 0.31     | 7.92  |    |
|                            | 127     |                      | 1.47         | 37.29  | 4.13    | 104.90 | 1.54          | 39.22 | 0.96          | 24.31  | 0.13        | 3.18  | 0.31     | 7.92  |    |
|                            | 128     |                      | 1.47         | 37.29  | 3.13    | 79.50  | 1.54          | 39.22 | 1.15          | 29.08  | 0.25        | 6.35  | 0.44     | 11.10 |    |
|                            | 129     |                      | 1.47         | 37.29  | 4.13    | 104.90 | 1.54          | 39.22 | 1.15          | 29.08  | 0.25        | 6.35  | 0.44     | 11.10 |    |
|                            | 142     |                      | 1.47         | 37.29  | 3.13    | 79.50  | 2.23          | 56.64 | 2.11          | 53.67  | 0.88        | 22.23 | 1.03     | 26.14 |    |
|                            | 143     |                      | 1.47         | 37.29  | 4.13    | 104.90 | 2.23          | 56.64 | 2.11          | 53.67  | 0.88        | 22.23 | 1.03     | 26.14 |    |
| 24                         | 47      | 24                   | 1.59         | 40.46  | 3.13    | 79.50  | 1.92          | 48.67 | 1.55          | 39.40  | 0.50        | 12.70 | 0.75     | 19.05 |    |
|                            | 48      |                      | 1.59         | 40.46  | 4.13    | 104.90 | 1.92          | 48.67 | 1.55          | 39.40  | 0.50        | 12.70 | 0.75     | 19.05 |    |
|                            | 49      |                      | 1.59         | 40.46  | 3.13    | 79.50  | 2.00          | 50.80 | 1.77          | 44.96  | 0.63        | 15.88 | 0.81     | 20.62 |    |
|                            | 50      |                      | 1.59         | 40.46  | 4.13    | 104.90 | 2.00          | 50.80 | 1.77          | 44.96  | 0.63        | 15.88 | 0.81     | 20.62 |    |
|                            | 51      |                      | 1.59         | 40.46  | 3.13    | 79.50  | 2.00          | 50.80 | 1.77          | 44.96  | 0.63        | 15.88 | 0.94     | 23.80 |    |
|                            | 52      |                      | 1.59         | 40.46  | 4.13    | 104.90 | 2.00          | 50.80 | 1.77          | 44.96  | 0.63        | 15.88 | 0.94     | 23.80 |    |
|                            | 53*     |                      | 1.59         | 40.46  | 3.88    | 98.55  | 2.23          | 56.64 | 2.11          | 53.67  | 0.88        | 22.23 | 1.25     | 31.75 |    |
|                            | 54*     |                      | 1.59         | 40.46  | 4.88    | 123.95 | 2.23          | 56.64 | 2.11          | 53.67  | 0.88        | 22.23 | 1.25     | 31.75 |    |
|                            | 130     |                      | 1.59         | 40.46  | 3.13    | 79.50  | 1.84          | 46.84 | 1.33          | 33.83  | 0.35        | 8.89  | 0.63     | 15.88 |    |
|                            | 131     |                      | 1.59         | 40.46  | 4.13    | 104.90 | 1.84          | 46.84 | 1.33          | 33.83  | 0.35        | 8.89  | 0.63     | 15.88 |    |
| 144                        | 1.59    | 40.46                | 3.13         | 79.50  | 2.23    | 56.64  | 2.11          | 53.67 | 0.88          | 22.23  | 1.14        | 29.06 |          |       |    |
| 145                        | 1.59    | 40.46                | 4.13         | 104.90 | 2.23    | 56.64  | 2.11          | 53.67 | 0.88          | 22.23  | 1.14        | 29.06 |          |       |    |
| 28                         | 55      | 28                   | 1.97         | 50.01  | 3.13    | 79.50  | 1.92          | 48.67 | 1.55          | 39.40  | 0.50        | 12.70 | 0.75     | 19.05 |    |
|                            | 56      |                      | 1.97         | 50.01  | 4.13    | 104.90 | 1.92          | 48.67 | 1.55          | 39.40  | 0.50        | 12.70 | 0.75     | 19.05 |    |
|                            | 57      |                      | 1.97         | 50.01  | 3.13    | 79.50  | 2.00          | 50.80 | 1.77          | 44.96  | 0.63        | 15.88 | 0.94     | 23.80 |    |
|                            | 58      |                      | 1.97         | 50.01  | 4.13    | 104.90 | 2.00          | 50.80 | 1.77          | 44.96  | 0.63        | 15.88 | 0.94     | 23.80 |    |
|                            | 59      |                      | 1.97         | 50.01  | 3.13    | 79.50  | 2.23          | 56.64 | 2.11          | 53.67  | 0.88        | 22.23 | 1.25     | 31.75 |    |
|                            | 60      |                      | 1.97         | 50.01  | 4.13    | 104.90 | 2.23          | 56.64 | 2.11          | 53.67  | 0.88        | 22.23 | 1.25     | 31.75 |    |
|                            | 61      |                      | 1.97         | 50.01  | 3.13    | 79.50  | 2.02          | 51.41 | 23.63         | 600.20 | 1.00        | 25.40 | 1.38     | 34.93 |    |
| 62                         | 1.97    | 50.01                | 4.13         | 104.90 | 2.02    | 51.41  | 2.36          | 60.02 | 1.00          | 25.40  | 1.38        | 34.93 |          |       |    |

\* Denotes Style-2 (see page 486). For more cable entry and length options see page 486 or email: sales@backshellworld.com. All dimensions for reference only.

TABLE CONTINUES ON NEXT PAGE

### For Connector Family J

**26482 Matrix Series 2**

**5015 Matrix (MS345X)**

**83723 Matrix & Pyle Series III**

Connector Family "J", includes:  
MIL-DTL-26482 Series 2,  
MIL-DTL-5015 Matrix (MS345X)  
MIL-DTL-83723 Series III

| MIL PART NUMBER DESIGNATOR |         | CONNECTOR SHELL SIZE | TABLE - A    |        |         |        |               |        |               |       |             |       |          |        |
|----------------------------|---------|----------------------|--------------|--------|---------|--------|---------------|--------|---------------|-------|-------------|-------|----------|--------|
| SHELL SIZE                 | DASH NO |                      | A DIA. (MAX) |        | B (MAX) |        | C (REF) L MAX |        | G (MAX) L MAX |       | CABLE RANGE |       |          |        |
|                            |         |                      | INCH         | MM     | INCH    | MM     | INCH          | MM     | INCH          | MM    | MIN WIRE    |       | MAX WIRE |        |
|                            |         |                      |              |        |         |        |               |        |               | INCH  | MM          | INCH  | MM       |        |
| 32                         | 63      | 32                   | 2.22         | 56.36  | 3.13    | 79.50  | 2.00          | 50.80  | 1.77          | 44.96 | 0.63        | 15.88 | 0.94     | 23.80  |
|                            | 64      |                      | 2.22         | 56.36  | 4.13    | 104.90 | 2.00          | 50.80  | 1.77          | 44.96 | 0.63        | 15.88 | 0.94     | 23.80  |
|                            | 65      |                      | 2.22         | 56.36  | 3.13    | 79.50  | 2.23          | 56.64  | 2.11          | 53.67 | 0.88        | 22.23 | 12.50    | 317.50 |
|                            | 66      |                      | 2.22         | 56.36  | 4.13    | 104.90 | 2.23          | 56.64  | 2.11          | 53.67 | 0.88        | 22.23 | 1.25     | 31.75  |
|                            | 67      |                      | 2.22         | 56.36  | 3.13    | 79.50  | 2.02          | 51.41  | 2.36          | 60.02 | 1.00        | 25.40 | 1.38     | 34.93  |
|                            | 68      |                      | 2.22         | 56.36  | 4.13    | 104.90 | 2.02          | 51.41  | 2.36          | 60.02 | 1.00        | 25.40 | 1.38     | 34.93  |
|                            | 69      |                      | 2.22         | 56.36  | 3.13    | 79.50  | 2.55          | 64.77  | 2.77          | 70.36 | 1.25        | 31.75 | 1.63     | 41.28  |
|                            | 70      |                      | 2.22         | 56.36  | 4.13    | 104.90 | 2.55          | 64.77  | 2.77          | 70.36 | 1.25        | 31.75 | 1.63     | 41.28  |
| 36                         | 71      | 36                   | 2.47         | 62.71  | 4.13    | 104.90 | 2.23          | 56.64  | 2.11          | 53.67 | 0.88        | 22.23 | 1.25     | 31.75  |
|                            | 72      |                      | 2.47         | 62.71  | 5.13    | 130.30 | 2.23          | 56.64  | 2.11          | 53.67 | 0.88        | 22.23 | 1.25     | 31.75  |
|                            | 73      |                      | 2.47         | 62.71  | 4.13    | 104.90 | 2.02          | 51.41  | 2.36          | 60.02 | 1.00        | 25.40 | 1.38     | 34.93  |
|                            | 74      |                      | 2.47         | 62.71  | 5.13    | 130.30 | 2.02          | 51.41  | 2.36          | 60.02 | 1.00        | 25.40 | 1.38     | 34.93  |
|                            | 75      |                      | 2.47         | 62.71  | 4.13    | 104.90 | 2.55          | 64.77  | 2.77          | 70.36 | 1.25        | 31.75 | 1.63     | 41.28  |
|                            | 76      |                      | 2.47         | 62.71  | 5.13    | 130.30 | 2.55          | 64.77  | 2.77          | 70.36 | 1.25        | 31.75 | 1.63     | 41.28  |
|                            | 77*     |                      | 2.47         | 62.71  | 5.01    | 127.25 | 2.60          | 66.04  | 3.02          | 76.71 | 1.44        | 36.50 | 1.88     | 47.63  |
|                            | 78*     |                      | 2.47         | 62.71  | 6.01    | 152.65 | 2.60          | 66.04  | 3.02          | 76.71 | 1.44        | 36.50 | 1.88     | 47.63  |
|                            | 132     |                      | 2.47         | 62.71  | 4.13    | 104.90 | 1.92          | 48.67  | 1.55          | 39.40 | 0.50        | 12.70 | 0.75     | 19.05  |
|                            | 133     |                      | 2.47         | 62.71  | 5.13    | 130.30 | 1.92          | 48.67  | 1.55          | 39.40 | 0.50        | 12.70 | 0.75     | 19.05  |
|                            | 146     |                      | 2.47         | 62.71  | 4.13    | 104.90 | 2.60          | 66.04  | 3.02          | 76.71 | 1.44        | 36.50 | 1.84     | 46.74  |
|                            | 147     |                      | 2.47         | 62.71  | 5.13    | 130.30 | 2.60          | 66.04  | 3.02          | 76.71 | 1.44        | 36.50 | 1.84     | 46.74  |
|                            | 148     |                      | 2.47         | 62.71  | 4.13    | 104.90 | 2.00          | 50.80  | 1.77          | 44.96 | 0.63        | 15.88 | 0.94     | 23.80  |
|                            | 149     |                      | 2.47         | 62.71  | 5.13    | 130.30 | 2.00          | 50.80  | 1.77          | 44.96 | 0.63        | 15.88 | 0.94     | 23.80  |
| 40                         | 79      | 40                   | 2.72         | 69.06  | 4.13    | 104.90 | 2.23          | 56.64  | 2.11          | 53.67 | 0.88        | 22.23 | 1.25     | 31.75  |
|                            | 80      |                      | 2.72         | 69.06  | 5.13    | 130.30 | 2.23          | 56.64  | 2.11          | 53.67 | 0.88        | 22.23 | 1.25     | 31.75  |
|                            | 81      |                      | 2.72         | 69.06  | 4.13    | 104.90 | 2.02          | 51.41  | 2.36          | 60.02 | 1.00        | 25.40 | 1.38     | 34.93  |
|                            | 82      |                      | 2.72         | 69.06  | 5.13    | 130.30 | 2.02          | 51.41  | 2.36          | 60.02 | 1.00        | 25.40 | 1.38     | 34.93  |
|                            | 83      |                      | 2.72         | 69.06  | 4.13    | 104.90 | 2.55          | 64.77  | 2.77          | 70.36 | 1.25        | 31.75 | 1.63     | 41.28  |
|                            | 84      |                      | 2.72         | 69.06  | 5.13    | 130.30 | 2.55          | 64.77  | 2.77          | 70.36 | 1.25        | 31.75 | 1.63     | 41.28  |
|                            | 85      |                      | 2.72         | 69.06  | 4.13    | 104.90 | 2.60          | 66.04  | 3.02          | 76.71 | 1.44        | 36.50 | 1.88     | 47.63  |
|                            | 86      |                      | 2.72         | 69.06  | 5.13    | 130.30 | 2.60          | 66.04  | 3.02          | 76.71 | 1.44        | 36.50 | 1.88     | 47.63  |
|                            | 134     |                      | 2.72         | 69.06  | 4.13    | 104.90 | 1.92          | 48.67  | 1.55          | 39.40 | 0.50        | 12.70 | 0.75     | 19.05  |
|                            | 135     |                      | 2.72         | 69.06  | 5.13    | 130.30 | 1.92          | 48.67  | 1.55          | 39.40 | 0.50        | 12.70 | 0.75     | 19.05  |
|                            | 156     |                      | 2.72         | 69.06  | 4.13    | 104.90 | 2.00          | 50.80  | 1.77          | 44.96 | 0.63        | 15.88 | 0.94     | 23.80  |
| 44                         | 87      | 44                   | 2.97         | 75.41  | 4.13    | 104.90 | 2.23          | 56.64  | 2.11          | 53.67 | 0.88        | 22.23 | 1.25     | 31.75  |
|                            | 88      |                      | 2.97         | 75.41  | 5.13    | 130.30 | 2.23          | 56.64  | 2.11          | 53.67 | 0.88        | 22.23 | 1.25     | 31.75  |
|                            | 89      |                      | 2.97         | 75.41  | 4.13    | 104.90 | 2.02          | 51.41  | 2.36          | 60.02 | 1.00        | 25.40 | 1.38     | 34.93  |
|                            | 90      |                      | 2.97         | 75.41  | 5.13    | 130.30 | 2.02          | 51.41  | 2.36          | 60.02 | 1.00        | 25.40 | 1.38     | 34.93  |
|                            | 91      |                      | 2.97         | 75.41  | 4.13    | 104.90 | 2.55          | 64.77  | 2.77          | 70.36 | 1.25        | 31.75 | 1.63     | 41.28  |
|                            | 92      |                      | 2.97         | 75.41  | 5.13    | 130.30 | 2.55          | 64.77  | 2.77          | 70.36 | 1.25        | 31.75 | 1.63     | 41.28  |
|                            | 93      |                      | 2.97         | 75.41  | 4.13    | 104.90 | 2.60          | 66.04  | 3.02          | 76.71 | 1.44        | 36.50 | 1.88     | 47.63  |
|                            | 94      |                      | 2.97         | 75.41  | 5.13    | 130.30 | 2.60          | 66.04  | 3.02          | 76.71 | 1.44        | 36.50 | 1.88     | 47.63  |
|                            | 154     |                      | 2.97         | 75.41  | 4.13    | 104.90 | 2.00          | 50.80  | 1.77          | 44.96 | 0.63        | 15.88 | 0.94     | 23.80  |
|                            | 155     |                      | 2.97         | 75.41  | 5.13    | 130.30 | 2.00          | 50.80  | 1.77          | 44.96 | 0.63        | 15.88 | 0.94     | 23.80  |
|                            | 48      |                      | 95           | 48     | 3.22    | 81.76  | 4.13          | 104.90 | 2.23          | 56.64 | 2.11        | 53.67 | 0.88     | 22.23  |
| 96                         |         | 3.22                 | 81.76        |        | 5.13    | 130.30 | 2.23          | 56.64  | 2.11          | 53.67 | 0.88        | 22.23 | 1.25     | 31.75  |
| 97                         |         | 3.22                 | 81.76        |        | 4.13    | 104.90 | 2.02          | 51.41  | 2.36          | 60.02 | 1.00        | 25.40 | 1.38     | 34.93  |
| 98                         |         | 3.22                 | 81.76        |        | 5.13    | 130.30 | 2.02          | 51.41  | 2.36          | 60.02 | 1.00        | 25.40 | 1.38     | 34.93  |
| 99                         |         | 3.22                 | 81.76        |        | 4.13    | 104.90 | 2.55          | 64.77  | 2.77          | 70.36 | 1.25        | 31.75 | 1.63     | 41.28  |
| 100                        |         | 3.22                 | 81.76        |        | 5.13    | 130.30 | 2.55          | 64.77  | 2.77          | 70.36 | 1.25        | 31.75 | 1.63     | 41.28  |
| 101                        |         | 3.22                 | 81.76        |        | 4.13    | 104.90 | 2.60          | 66.04  | 3.02          | 76.71 | 1.44        | 36.50 | 1.88     | 47.63  |
| 102                        | 3.22    | 81.76                | 5.13         | 130.30 | 2.60    | 66.04  | 3.02          | 76.71  | 1.44          | 36.50 | 1.88        | 47.63 |          |        |

\* Denotes Style-2 (see page 486)

For more cable entry and length options see page 486 or email: [sales@backshellworld.com](mailto:sales@backshellworld.com)

All dimensions for reference only.

### For Connector Family J

26482 Matrix Series 2

5015 Matrix (MS345X)

83723 Matrix & Pyle Series III

Connector Family "J", includes:  
 MIL-DTL-26482 Series 2,  
 MIL-DTL-5015 Matrix (MS345X)  
 MIL-DTL-83723 Series III



**MIL Part Number**  
**M85049 / 8 -10 W**

MIL Series \_\_\_\_\_ Finish: See Table-2 (pg. 486)  
 Slash Sheet: \_\_\_\_\_ Dash Number: See Table-A  
 8: 90°, Spin Coupling  
 6: 45°, Spin Coupling

38999

- III
- HD
- Dualok
- II
- I
- SJT
- Accessories
- Aquacon
- Herm/Seal
- PCB

- Fiber Optics
- High Speed
- Contacts

- EMI Filter
- Transient

- Matrix 2
- 26482

- Matrix | Pyle
- III
- 83723

- Pyle
- 26500

- Crimp Rear Release
- Matrix
- 5015

- Class 1
- 22992

- Backshells

- Options
- Others

TABLE - A

| MIL PART NUMBER DESIGNATOR |     | CONNECTOR SHELL SIZE | A DIA. (MAX) |       | B (REF) |       | C (MAX) |       | D (MAX) |       | E (MAX) |       | F (MAX) |       | G (MAX) |       | CABLE RANGE |          |      |       |      |    |  |  |
|----------------------------|-----|----------------------|--------------|-------|---------|-------|---------|-------|---------|-------|---------|-------|---------|-------|---------|-------|-------------|----------|------|-------|------|----|--|--|
|                            |     |                      | INCH         | MM    | INCH    | MM    | INCH    | MM    | INCH    | MM    | INCH    | MM    | INCH    | MM    | INCH    | MM    | MIN WIRE    | MAX WIRE | INCH | MM    | INCH | MM |  |  |
| 08                         | 3   | 8                    | 0.62         | 15.67 | 1.54    | 39.22 | 0.67    | 17.02 | 1.26    | 32.00 | 0.63    | 16.00 | 1.25    | 31.75 | 0.96    | 24.31 | 0.13        | 3.18     | 0.25 | 6.35  |      |    |  |  |
|                            | 4   |                      | 0.73         | 18.64 | 1.54    | 39.22 | 0.76    | 19.30 | 1.98    | 50.29 | 0.69    | 17.53 | 1.92    | 48.77 | 0.96    | 24.31 | 0.13        | 3.18     | 0.31 | 7.92  |      |    |  |  |
| 10                         | 49* | 10                   | 0.73         | 18.64 | 1.54    | 39.22 | 1.52    | 38.61 | 2.00    | 50.80 | 1.50    | 38.10 | 1.98    | 50.29 | 1.15    | 29.08 | 0.25        | 6.35     | 0.44 | 11.10 |      |    |  |  |
|                            | 5   |                      | 0.73         | 18.64 | 1.54    | 39.22 | 0.76    | 19.30 | 1.38    | 35.05 | 0.69    | 17.53 | 1.31    | 33.27 | 1.15    | 29.08 | 0.25        | 6.35     | 0.38 | 9.53  |      |    |  |  |
| 12                         | 6   | 7/12                 | 0.86         | 21.79 | 1.54    | 39.22 | 0.77    | 19.56 | 2.00    | 50.80 | 0.75    | 19.05 | 1.98    | 50.29 | 0.96    | 24.31 | 0.13        | 3.18     | 0.31 | 7.92  |      |    |  |  |
|                            | 71* |                      | 0.86         | 21.79 | 1.84    | 46.84 | 1.81    | 45.97 | 2.16    | 54.86 | 1.65    | 41.91 | 2.18    | 55.37 | 1.33    | 33.83 | 0.35        | 8.89     | 0.63 | 15.88 |      |    |  |  |
|                            | 7   |                      | 0.86         | 21.79 | 1.54    | 39.22 | 0.77    | 19.56 | 2.00    | 50.80 | 0.75    | 19.05 | 1.98    | 50.29 | 1.15    | 29.08 | 0.25        | 6.35     | 0.44 | 11.10 |      |    |  |  |
|                            | 8   |                      | 0.86         | 21.79 | 1.84    | 46.84 | 0.77    | 19.56 | 1.40    | 35.56 | 0.75    | 19.05 | 1.98    | 50.29 | 1.33    | 33.83 | 0.35        | 8.89     | 0.50 | 12.70 |      |    |  |  |
| 14                         | 9   | 12/14                | 0.98         | 24.99 | 1.54    | 39.22 | 0.87    | 22.10 | 2.07    | 52.58 | 0.81    | 20.57 | 2.07    | 52.58 | 1.15    | 29.08 | 0.25        | 6.35     | 0.44 | 11.10 |      |    |  |  |
|                            | 10  |                      | 0.98         | 24.99 | 1.84    | 46.84 | 0.87    | 22.10 | 1.72    | 43.69 | 0.81    | 20.57 | 1.72    | 43.69 | 1.33    | 33.83 | 0.35        | 8.89     | 0.58 | 14.61 |      |    |  |  |
|                            | 50* |                      | 0.98         | 24.99 | 1.92    | 48.67 | 1.89    | 48.01 | 2.33    | 59.18 | 1.84    | 46.74 | 2.37    | 60.20 | 1.55    | 39.40 | 0.50        | 12.70    | 0.75 | 19.05 |      |    |  |  |
|                            | 74  |                      | 0.98         | 24.99 | 1.54    | 39.22 | 0.87    | 22.10 | 2.07    | 52.58 | 0.81    | 20.57 | 2.07    | 52.58 | 0.96    | 24.31 | 0.13        | 3.18     | 0.31 | 7.92  |      |    |  |  |
| 16                         | 11  | 19/16                | 1.11         | 28.24 | 1.54    | 39.22 | 1.05    | 26.67 | 2.16    | 54.86 | 0.91    | 23.11 | 2.18    | 55.37 | 1.15    | 29.08 | 0.25        | 6.35     | 0.44 | 11.10 |      |    |  |  |
|                            | 12  |                      | 1.11         | 28.24 | 1.92    | 48.67 | 1.05    | 26.67 | 1.81    | 45.97 | 0.91    | 23.11 | 1.82    | 46.23 | 1.55    | 39.40 | 0.50        | 12.70    | 0.70 | 17.78 |      |    |  |  |
|                            | 40  |                      | 1.11         | 28.24 | 1.84    | 46.84 | 1.05    | 26.67 | 2.16    | 54.86 | 0.91    | 23.11 | 2.18    | 55.37 | 1.33    | 33.83 | 0.35        | 8.89     | 0.63 | 15.88 |      |    |  |  |
|                            | 51* |                      | 1.11         | 28.24 | 2.00    | 50.80 | 2.04    | 51.82 | 2.44    | 61.98 | 1.94    | 49.28 | 2.52    | 64.01 | 1.77    | 44.96 | 0.63        | 15.88    | 0.94 | 23.80 |      |    |  |  |
|                            | 75  |                      | 1.11         | 28.24 | 1.54    | 39.22 | 1.05    | 26.67 | 2.16    | 54.86 | 0.91    | 23.11 | 2.18    | 55.37 | 0.96    | 24.31 | 0.13        | 3.18     | 0.31 | 7.92  |      |    |  |  |

\* Denotes Style-2 (see page 486)

For more cable entry and length options see page 486 or email: sales@backshellworld.com

All dimensions for reference only.

TABLE CONTINUES ON NEXT PAGE



# Shrink Boot Adapter

## Straight, Spin Coupling

### For Connector Family J

26482 Matrix Series 2

5015 Matrix (MS345X)

83723 Matrix & Pyle Series III

Connector Family "J", includes:  
 MIL-DTL-26482 Series 2,  
 MIL-DTL-5015 Matrix (MS345X)  
 MIL-DTL-83723 Series III



TABLE-A

| MIL PART NUMBER DESIGNATOR | CONNECTOR SHELL SIZE | A DIA. (MAX) |       | B (MAX) |       | C DIA. (MIN) |       | D DIA. (MAX) |       |
|----------------------------|----------------------|--------------|-------|---------|-------|--------------|-------|--------------|-------|
|                            |                      | INCH         | MM    | INCH    | MM    | INCH         | MM    | INCH         | MM    |
| DASH NO                    |                      |              |       |         |       |              |       |              |       |
| 8                          | 8                    | 0.62         | 15.67 | 1.19    | 30.15 | 0.25         | 6.35  | 0.53         | 13.54 |
| 10                         | 10                   | 0.73         | 18.64 | 1.19    | 30.15 | 0.36         | 9.02  | 0.61         | 15.37 |
| 12                         | 7/12                 | 0.86         | 21.79 | 1.19    | 30.15 | 0.49         | 12.47 | 0.77         | 19.66 |
| 14                         | 12/14                | 0.98         | 24.99 | 1.19    | 30.15 | 0.57         | 14.35 | 0.84         | 21.29 |
| 16                         | 19/16                | 1.11         | 28.24 | 1.19    | 30.15 | 0.69         | 17.53 | 0.96         | 24.46 |
| 18                         | 27/18                | 1.22         | 30.94 | 1.19    | 30.15 | 0.77         | 19.53 | 1.04         | 26.47 |
| 20                         | 37/20                | 1.35         | 34.16 | 1.19    | 30.15 | 0.89         | 22.71 | 1.22         | 30.91 |
| 22                         | 22                   | 1.47         | 37.29 | 1.19    | 30.15 | 1.02         | 25.88 | 1.36         | 34.42 |
| 24                         | 24                   | 1.59         | 40.46 | 1.19    | 30.15 | 1.13         | 28.80 | 1.44         | 36.65 |
| 28                         | 28                   | 1.97         | 50.01 | 1.51    | 38.38 | 1.37         | 34.77 | 1.71         | 43.41 |
| 32                         | 32                   | 2.22         | 56.36 | 1.51    | 38.38 | 1.62         | 41.02 | 1.92         | 48.74 |
| 36                         | 36                   | 2.47         | 62.71 | 1.51    | 38.38 | 1.83         | 46.48 | 2.17         | 55.09 |
| 40                         | 40                   | 2.72         | 69.06 | 1.51    | 38.38 | 2.05         | 51.94 | 2.40         | 61.01 |
| 44                         | 44                   | 2.97         | 75.41 | 1.51    | 38.38 | 2.30         | 58.42 | 2.66         | 67.49 |
| 48                         | 48                   | 3.22         | 81.76 | 1.51    | 38.38 | 2.55         | 64.77 | 2.91         | 73.84 |

\* Denotes Style-2 (see page 486)

For more cable entry and length options see page 486 or email: sales@backshellworld.com  
 All dimensions for reference only.

38999

III

HD

Dualok

II

I

SJT

Accessories

Aquacon

Herm/Seal

PCB

Fiber Optics

High Speed

Contacts

EMI Filter

Transient

Matrix 2

26482

Matrix | Pyle

III

83723

Pyle

26500

Crimp Rear Release Matrix

5015

Class 1

22992

Back-Shells

Options

Others



**26482 Matrix Series 2**

**5015 Matrix (MS345X)**

**83723 Matrix & Pyle Series III**

Connector Family "J", includes:  
MIL-DTL-26482 Series 2,  
MIL-DTL-5015 Matrix (MS345X)  
MIL-DTL-83723 Series III



**MIL Part Number**

**M85049 / 26 -1 -10 W**

MIL Series: M85049  
 Slash Sheet: 26: Straight, Spin Coupling  
 Crimp Ring: 1: Adapter, 2: Crimp Ring, 3: Adapter with Crimp Ring  
 Finish: See Table-2 (pg. 486) (Omit for "26-2")  
 Dash Number: See Table-A (for 26-1 & 26-3) Table-B (for 26-2)

| MIL PART NUMBER DESIGNATOR | CONNECTOR SHELL SIZE | A DIA (MAX) |       | B (MAX) |       | C (MAX) |       | D DIA (MAX) |       | E DIA. (MAX) |       |
|----------------------------|----------------------|-------------|-------|---------|-------|---------|-------|-------------|-------|--------------|-------|
|                            |                      | INCH        | MM    | INCH    | MM    | INCH    | MM    | INCH        | MM    | INCH         | MM    |
| 8                          | 8                    | 0.62        | 15.67 | 1.28    | 32.34 | 0.96    | 24.38 | 0.25        | 6.35  | 0.35         | 8.81  |
| 10                         | 10                   | 0.73        | 18.64 | 1.28    | 32.34 | 0.96    | 24.38 | 0.33        | 8.26  | 0.50         | 12.70 |
| 12                         | 7/12                 | 0.86        | 21.79 | 1.28    | 32.34 | 0.96    | 24.38 | 0.42        | 10.67 | 0.51         | 12.95 |
| 14                         | 12/14                | 0.98        | 24.99 | 1.28    | 32.34 | 0.96    | 24.38 | 0.54        | 13.72 | 0.63         | 16.00 |
| 16                         | 19/16                | 1.11        | 28.24 | 1.28    | 32.34 | 0.96    | 24.38 | 0.67        | 17.02 | 0.76         | 19.30 |
| 18                         | 27/18                | 1.22        | 30.94 | 1.28    | 32.34 | 0.96    | 24.38 | 0.79        | 20.04 | 0.89         | 22.61 |
| 20                         | 37/20                | 1.35        | 34.16 | 1.28    | 32.34 | 0.96    | 24.38 | 0.91        | 23.22 | 1.01         | 25.65 |
| 22                         | 22                   | 1.47        | 37.29 | 1.28    | 32.34 | 0.96    | 24.38 | 1.04        | 26.39 | 1.13         | 28.70 |
| 24                         | 24                   | 1.59        | 40.46 | 1.28    | 32.34 | 0.96    | 24.38 | 1.11        | 28.24 | 1.20         | 30.48 |
| 28                         | 28                   | 1.97        | 50.01 | 1.44    | 36.55 | 0.96    | 24.38 | 1.39        | 35.28 | 1.56         | 39.62 |
| 32                         | 32                   | 2.22        | 56.36 | 1.44    | 36.55 | 0.96    | 24.38 | 1.64        | 41.53 | 1.81         | 45.97 |
| 36                         | 36                   | 2.47        | 62.71 | 1.44    | 36.55 | 0.96    | 24.38 | 1.85        | 46.99 | 2.06         | 52.32 |
| 40                         | 40                   | 2.72        | 69.06 | 1.44    | 36.55 | 0.96    | 24.38 | 2.07        | 52.45 | 2.31         | 58.67 |
| 44                         | 44                   | 2.97        | 75.41 | 1.44    | 36.55 | 0.96    | 24.38 | 2.32        | 58.93 | 2.56         | 65.02 |
| 48                         | 48                   | 3.22        | 81.76 | 1.44    | 36.55 | 0.96    | 24.38 | 2.57        | 65.28 | 2.81         | 71.37 |

| MIL PART NUMBER DESIGNATOR | PART NO COLOR | CONNECTOR SHELL SIZE | X DIA |       |      |       | Y DIA |       |      |       | Z    |       |
|----------------------------|---------------|----------------------|-------|-------|------|-------|-------|-------|------|-------|------|-------|
|                            |               |                      | MIN   |       | MAX  |       | MIN   |       | MAX  |       | INCH | MM    |
|                            |               |                      | INCH  | MM    | INCH | MM    | INCH  | MM    | INCH | MM    |      |       |
| 8                          | GREEN         | 8                    | 0.45  | 11.38 | 0.46 | 11.63 | 0.40  | 10.16 | 0.41 | 10.41 | 0.25 | 6.35  |
| 10                         | RED           | 10                   | 0.66  | 16.76 | 0.68 | 17.27 | 0.59  | 14.86 | 0.60 | 15.11 | 0.44 | 11.18 |
| 12                         | RED           | 7/12                 | 0.66  | 16.76 | 0.68 | 17.27 | 0.59  | 14.86 | 0.60 | 15.11 | 0.44 | 11.18 |
| 14                         | BLUE          | 12/14                | 0.78  | 19.81 | 0.80 | 20.32 | 0.71  | 17.91 | 0.72 | 18.16 | 0.44 | 11.18 |
| 16                         | GRAY          | 19/16                | 0.91  | 23.11 | 0.93 | 23.62 | 0.84  | 21.21 | 0.85 | 21.46 | 0.44 | 11.18 |
| 18                         | BROWN         | 27/18                | 1.08  | 27.43 | 1.10 | 27.94 | 1.01  | 25.53 | 1.02 | 25.78 | 0.44 | 11.18 |
| 20                         | GREEN         | 37/20                | 1.20  | 30.48 | 1.22 | 30.99 | 1.13  | 28.58 | 1.14 | 28.83 | 0.44 | 11.18 |
| 22                         | PINK          | 22                   | 1.32  | 33.53 | 1.34 | 34.04 | 1.25  | 31.62 | 1.26 | 31.88 | 0.44 | 11.18 |
| 24                         | YELLOW        | 24                   | 1.39  | 35.23 | 1.41 | 35.74 | 1.31  | 33.32 | 1.32 | 33.58 | 0.44 | 11.18 |
| 28                         | RED           | 28                   | 1.74  | 44.20 | 1.76 | 44.70 | 1.67  | 42.29 | 1.68 | 42.55 | 0.44 | 11.18 |
| 32                         | GRAY          | 32                   | 1.99  | 50.55 | 2.01 | 51.05 | 1.92  | 48.64 | 1.93 | 48.90 | 0.44 | 11.18 |
| 36                         | GREEN         | 36                   | 2.24  | 56.90 | 2.26 | 57.40 | 2.17  | 54.99 | 2.18 | 55.25 | 0.44 | 11.18 |
| 40                         | ORANGE        | 40                   | 2.49  | 63.25 | 2.51 | 63.75 | 2.42  | 61.34 | 2.43 | 61.60 | 0.44 | 11.18 |
| 44                         | YELLOW        | 44                   | 2.74  | 69.20 | 2.76 | 70.10 | 2.67  | 67.69 | 2.68 | 67.95 | 0.44 | 11.18 |
| 48                         | BLUE          | 48                   | 2.99  | 75.95 | 3.01 | 76.45 | 2.92  | 74.04 | 2.93 | 74.30 | 0.44 | 11.18 |

All dimensions for reference only.

Note: For more cable entry and length options, email: [sales@backshellworld.com](mailto:sales@backshellworld.com)

## Band Lock Adapter Straight, 90° and 45°, Self-Lock

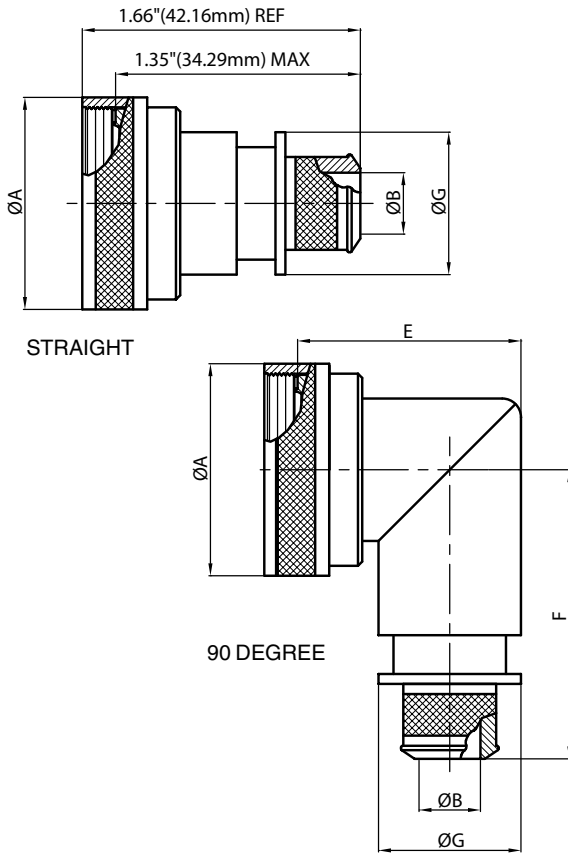
For Connector Family J

26482 Matrix Series 2

5015 Matrix (MS345X)

83723 Matrix & Pyle Series III

Connector Family "J", includes:  
MIL-DTL-26482 Series 2,  
MIL-DTL-5015 Matrix (MS345X)  
MIL-DTL-83723 Series III



**MIL Part Number**  
**M85049 / 82 -10 W 02**

MIL Series: M85049 / 82 -10 W 02  
Entry Size: See Table-A

Slash Sheet:  
82: Straight, Self-Lock  
84: 90°, Self-Lock  
83: 45°, Self-Lock

Finish: See Table-2 (pg. 486)

Shell Size: See Table-A

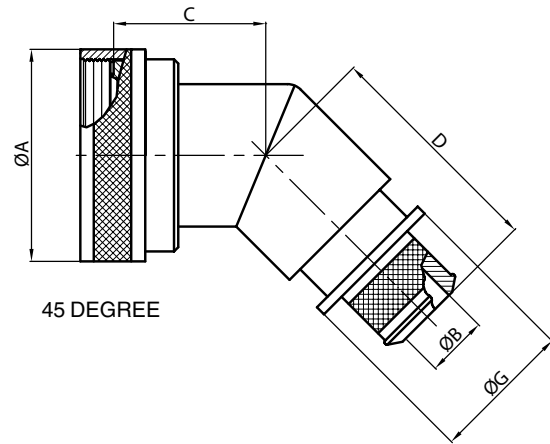


TABLE-A

| MIL PART NUMBER DESIGNATOR |            | CONNECTOR SHELL SIZE | A DIA. (MAX) |       | B DIA. (MAX) |       | C (MAX) |       | D (MAX) |       | E (MAX) |       | F (MAX.) |       | G MAX |       |
|----------------------------|------------|----------------------|--------------|-------|--------------|-------|---------|-------|---------|-------|---------|-------|----------|-------|-------|-------|
| ACCESSORY SHELL SIZE       | ENTRY SIZE |                      | INCH         | MM    | +0.00        | +0.00 | INCH    | MM    | INCH    | MM    | INCH    | MM    | INCH     | MM    | INCH  | MM    |
|                            |            |                      |              |       | -0.02        | -0.50 |         |       |         |       |         |       |          |       |       |       |
| 08                         | 02         | 8                    | 0.89         | 22.48 | N/A          | N/A   | 0.87    | 22.10 | 1.16    | 29.46 | 1.19    | 30.18 | 1.42     | 35.99 | N/A   | N/A   |
|                            | 03         |                      |              |       | 0.26         | 6.60  |         |       |         |       |         |       |          |       | 0.56  | 14.22 |
| 10                         | 02         | 10                   | 1.01         | 25.65 | N/A          | N/A   | 0.89    | 22.61 | 1.18    | 29.97 | 1.28    | 32.54 | 1.48     | 37.59 | N/A   | N/A   |
|                            | 03         |                      |              |       | 0.32         | 8.13  |         |       |         |       |         |       |          |       | 0.63  | 16.00 |
| 12                         | 02         | 7 / 12               | 1.14         | 28.83 | 0.32         | 8.13  | 0.92    | 23.37 | 1.20    | 30.48 | 1.41    | 35.71 | 1.54     | 39.17 | 0.63  | 16.00 |
|                            | 03         |                      |              |       | 0.45         | 11.43 |         |       |         |       |         |       |          |       | 0.75  | 19.05 |
| 14                         | 02         | 12 / 14              | 1.26         | 32.00 | 0.45         | 11.43 | 0.94    | 23.88 | 1.22    | 30.99 | 1.53    | 38.89 | 1.61     | 40.77 | 0.75  | 19.05 |
|                            | 03         |                      |              |       | 0.57         | 14.48 |         |       |         |       |         |       |          |       | 0.89  | 22.61 |
| 16                         | 02         | 19 / 16              | 1.39         | 35.18 | 0.51         | 12.95 | 0.96    | 24.38 | 1.25    | 31.75 | 1.66    | 42.06 | 1.67     | 42.34 | 0.82  | 20.83 |
|                            | 03         |                      |              |       | 0.64         | 16.26 |         |       |         |       |         |       |          |       | 0.95  | 24.13 |
| 18                         | 02         | 27 / 18              | 1.51         | 38.35 | 0.64         | 16.26 | 0.98    | 24.89 | 1.26    | 32.00 | 1.72    | 43.64 | 1.73     | 43.94 | 0.95  | 24.13 |
|                            | 03         |                      |              |       | 0.76         | 19.30 |         |       |         |       |         |       |          |       | 1.07  | 27.18 |
| 20                         | 02         | 37 / 20              | 1.64         | 41.53 | 0.64         | 16.26 | 1.00    | 25.40 | 1.29    | 32.77 | 1.84    | 46.84 | 1.79     | 45.52 | 0.95  | 24.13 |
|                            | 03         |                      |              |       | 0.82         | 20.83 |         |       |         |       |         |       |          |       | 1.13  | 28.07 |
| 22                         | 02         | 22                   | 1.76         | 44.70 | 0.70         | 17.78 | 1.03    | 26.16 | 1.31    | 33.27 | 1.94    | 49.23 | 1.85     | 46.99 | 1.02  | 25.99 |
|                            | 03         |                      |              |       | 0.95         | 24.13 |         |       |         |       |         |       |          |       | 1.26  | 32.00 |
| 24                         | 02         | 24                   | 1.89         | 47.88 | 0.76         | 19.30 | 1.05    | 26.67 | 1.34    | 34.04 | 2.09    | 53.16 | 1.92     | 48.69 | 1.07  | 27.18 |
|                            | 03         |                      |              |       | 1.01         | 25.65 |         |       |         |       |         |       |          |       | 1.32  | 33.53 |
| 28                         | 02         | 28                   | 2.14         | 54.23 | 0.89         | 22.61 | 1.10    | 27.94 | 1.38    | 35.05 | 2.53    | 64.29 | 2.04     | 51.87 | 1.19  | 30.23 |
|                            | 03         |                      |              |       | 1.14         | 28.96 |         |       |         |       |         |       |          |       | 1.47  | 37.34 |

Note: For more cable entry and length options, email: sales@backshellworld.com  
All dimensions for reference only.

38999

- III
- HD
- Dualok
- II
- I
- SJT
- Accessories
- Aquacon
- Herm/Seal
- PCB

Fiber Optics  
High Speed  
Contacts

EMI Filter  
Transient

26482  
Matrix 2

83723  
III  
Matrix | Pyle

26500  
Pyle

5015  
Crimp Rear  
Release  
Matrix

22992  
Class I

Back-  
Shells

Options  
Others



26482 Matrix Series 2

5015 Matrix (MS345X)

83723 Matrix & Pyle Series III

Connector Family "J", includes:  
MIL-DTL-26482 Series 2,  
MIL-DTL-5015 Matrix (MS345X)  
MIL-DTL-83723 Series III



**MIL Part Number**

**M85049 / 109 S 10 T W 03 -6 D**

- MIL Series: M85049
- Slash Sheet: 109: Straight, 111: 90°
- Coupling: S: Self-Lock, -: Spin Coupling
- Shell Size: See Table-A
- Drain Hole Option: D
- Shield Length: 6 inches min., 18 inches max., 1 inch increments (6: 6 inch, 7: 7 inch, so on)
- Entry Size: See Table-A & B
- Finish: See Table-2 (pg. 486)
- Shield Finish: (Material: Copper) K: Nickel, T: Tin

| PART NUMBER DESIGNATOR |                      |     | CONNECTOR SHELL SIZE | A DIA.(MAX) |       | H (MAX) |       | J (MAX) |        |
|------------------------|----------------------|-----|----------------------|-------------|-------|---------|-------|---------|--------|
| SHELL SIZE-MIL         | ALLOWABLE ENTRY SIZE |     |                      | INCH        | MM    | INCH    | MM    | INCH    | MM     |
|                        | MIN                  | MAX |                      |             |       |         |       |         |        |
| 08                     | -                    | 01  | 8                    | 0.885       | 22.48 | 1.73    | 43.94 | 1.12    | 28.45  |
| 10                     | 01                   | 03  | 10                   | 1.010       | 25.65 | 1.85    | 46.99 | 1.25    | 31.75  |
| 12                     | 01                   | 05  | 7/12                 | 1.135       | 28.83 | 1.87    | 47.50 | 1.38    | 35.05  |
| 14                     | 02                   | 06  | 12/14                | 1.260       | 32.00 | 1.94    | 49.28 | 1.44    | 36.58  |
| 16                     | 04                   | 08  | 19/16                | 1.385       | 35.18 | 2.03    | 51.56 | 1.56    | 39.62  |
| 18                     | 05                   | 09  | 27/18                | 1.510       | 38.35 | 2.20    | 55.88 | 1.75    | 44.45  |
| 20                     | 07                   | 11  | 37/20                | 1.635       | 41.53 | 2.20    | 55.88 | 1.75    | 44.45  |
| 22                     | 09                   | 13  | 22                   | 1.760       | 44.70 | 2.31    | 58.67 | 2.00    | 50.80  |
| 24                     | 11                   | 14  | 24                   | 1.885       | 47.88 | 2.31    | 58.67 | 2.00    | 50.80  |
| 28                     | 14                   | 16  | 28                   | 2.135       | 54.23 | 2.48    | 62.99 | 2.25    | 57.15  |
| 32                     | 16                   | 17  | 32                   | 2.395       | 60.83 | 2.73    | 69.34 | 2.75    | 69.85  |
| 36                     | 17                   | 19  | 36                   | 2.635       | 66.93 | 2.73    | 69.34 | 3.125   | 79.38  |
| 40                     | 19                   | 21  | 40                   | 2.885       | 73.28 | 2.88    | 73.15 | 4.125   | 104.78 |
| 44                     | 21                   | 23  | 44                   | 3.135       | 79.63 | 3.00    | 76.20 | 4.125   | 104.78 |
| 48                     | 23                   | 25  | 48                   | 3.385       | 85.98 | 3.12    | 79.25 | 4.125   | 104.78 |

| ENTRY SIZE | W ±0.020 | W ±0.508 | Y +0.008 -0.000 | Y +0.200 -0.000 | Z MAX | Z MAX |
|------------|----------|----------|-----------------|-----------------|-------|-------|
|            | INCH     | MM       | INCH            | MM              | INCH  | MM    |
| 01         | 0.250    | 6.350    | 0.044           | 1.12            | 0.56  | 14.22 |
| 02         | 0.312    | 7.920    | 0.044           | 1.12            | 0.63  | 16.00 |
| 03         | 0.375    | 9.530    | 0.044           | 1.12            | 0.69  | 17.53 |
| 04         | 0.438    | 11.130   | 0.044           | 1.12            | 0.75  | 19.05 |
| 05         | 0.500    | 12.700   | 0.044           | 1.12            | 0.82  | 20.83 |
| 06         | 0.562    | 14.270   | 0.044           | 1.12            | 0.89  | 22.61 |
| 07         | 0.625    | 15.880   | 0.044           | 1.12            | 0.95  | 24.13 |
| 08         | 0.688    | 17.480   | 0.044           | 1.12            | 1.02  | 25.91 |
| 09         | 0.750    | 19.050   | 0.069           | 1.75            | 1.07  | 27.18 |
| 10         | 0.812    | 20.620   | 0.069           | 1.75            | 1.13  | 28.70 |
| 11         | 0.875    | 22.230   | 0.069           | 1.75            | 1.19  | 30.23 |
| 12         | 0.938    | 23.830   | 0.069           | 1.75            | 1.26  | 32.00 |
| 13         | 1.000    | 25.400   | 0.069           | 1.75            | 1.32  | 33.53 |
| 14         | 1.125    | 28.575   | 0.069           | 1.75            | 1.47  | 37.34 |
| 15         | 1.250    | 31.750   | 0.069           | 1.75            | 1.60  | 40.64 |
| 16         | 1.375    | 34.930   | 0.069           | 1.75            | 1.71  | 43.43 |
| 17         | 1.500    | 38.100   | 0.086           | 2.18            | 1.84  | 46.74 |
| 18         | 1.625    | 41.280   | 0.086           | 2.18            | 2.00  | 50.80 |
| 19         | 1.750    | 44.450   | 0.086           | 2.18            | 2.12  | 53.85 |
| 20         | 1.875    | 47.630   | 0.086           | 2.18            | 2.27  | 57.66 |
| 21         | 2.000    | 50.800   | 0.086           | 2.18            | 2.44  | 61.98 |
| 22         | 2.125    | 53.980   | 0.086           | 2.18            | 2.60  | 66.04 |
| 23         | 2.250    | 57.150   | 0.086           | 2.18            | 2.75  | 69.85 |
| 24         | 2.375    | 60.325   | 0.086           | 2.18            | 2.90  | 73.66 |
| 25         | 2.500    | 63.500   | 0.086           | 2.18            | 3.06  | 77.72 |

Note: For more cable entry and length options, email: sales@backshellworld.com  
All dimensions for reference only.

## Quick Clamp

Straight, 90° and 45°, Self-Lock/Non Self-Lock

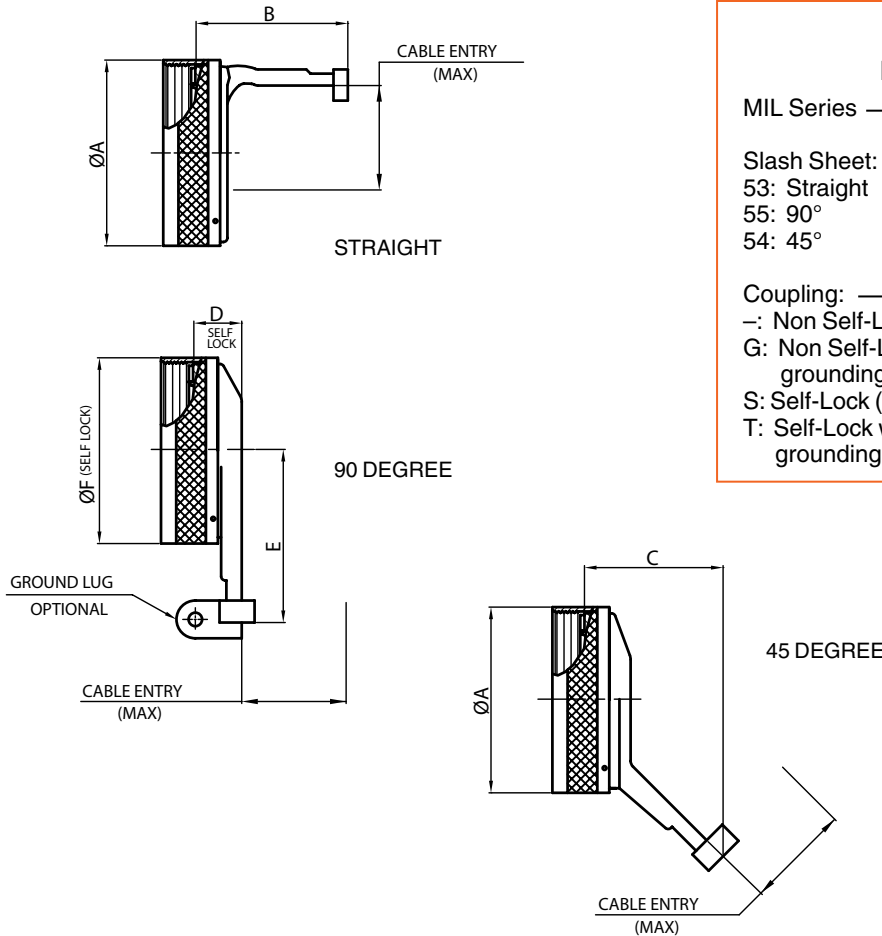
For Connector Family J

26482 Matrix Series 2

5015 Matrix (MS345X)

83723 Matrix & Pyle Series III

Connector Family "J", includes:  
MIL-DTL-26482 Series 2,  
MIL-DTL-5015 Matrix (MS345X)  
MIL-DTL-83723 Series III



**MIL Part Number**  
**M85049 / 53 - 10 W**

MIL Series: M85049 / 53  
 Slash Sheet: 53: Straight, 55: 90°, 54: 45°  
 Coupling: -: Non Self-Lock, G: Non Self-Lock with grounding Lug (only for 90°), S: Self-Lock (only for 90°), T: Self-Lock with grounding lug (only for 90°)  
 Finish: See Table-2 (pg. 486)  
 Dash Number: See Table-A

TABLE - A

| MIL PART NUMBER DESIGNATOR | CONNECTOR SHELL SIZE | A DIA.(MAX) |       | B (MAX) |       | C (MAX) |       | D (MAX) |       | E (MAX) |       | F DIA.(MAX) |       | WIRING ENTRY MAX |       |
|----------------------------|----------------------|-------------|-------|---------|-------|---------|-------|---------|-------|---------|-------|-------------|-------|------------------|-------|
|                            |                      | INCH        | MM    | INCH    | MM    | INCH    | MM    | INCH    | MM    | INCH    | MM    | INCH        | MM    | INCH             | MM    |
| 8                          | 8                    | 0.66        | 16.69 | 0.95    | 24.23 | 1.23    | 31.29 | 0.73    | 18.54 | 1.22    | 30.99 | 0.89        | 22.48 | 0.26             | 6.60  |
| 10                         | 10                   | 0.78        | 19.86 | 0.95    | 24.23 | 1.23    | 31.29 | 0.73    | 18.54 | 1.29    | 32.77 | 1.01        | 25.65 | 0.37             | 9.27  |
| 12                         | 07/12/12             | 0.94        | 23.80 | 0.95    | 24.23 | 1.23    | 31.29 | 0.73    | 18.54 | 1.62    | 41.15 | 1.14        | 28.83 | 0.50             | 12.73 |
| 14                         | 12/14/12             | 1.05        | 26.67 | 1.20    | 30.58 | 1.23    | 31.29 | 0.73    | 18.54 | 1.66    | 42.16 | 1.26        | 32.00 | 0.58             | 14.61 |
| 16                         | 19/16                | 1.24        | 31.47 | 1.20    | 30.58 | 1.23    | 31.29 | 0.73    | 18.54 | 1.72    | 43.69 | 1.39        | 35.18 | 0.70             | 17.78 |
| 18                         | 27/18                | 1.38        | 35.00 | 1.20    | 30.58 | 1.23    | 31.29 | 0.73    | 18.54 | 1.72    | 43.69 | 1.51        | 38.35 | 0.78             | 19.79 |
| 20                         | 37/20                | 1.50        | 38.10 | 1.31    | 33.27 | 1.48    | 37.64 | 0.75    | 19.05 | 1.79    | 45.47 | 1.64        | 41.53 | 0.90             | 22.96 |
| 22                         | 22                   | 1.63        | 41.43 | 1.43    | 36.32 | 1.48    | 37.64 | 0.75    | 19.05 | 1.85    | 46.99 | 1.76        | 44.70 | 1.03             | 26.14 |
| 24                         | 24                   | 1.75        | 44.45 | 1.56    | 39.62 | 1.48    | 37.64 | 0.75    | 19.05 | 1.91    | 48.51 | 1.89        | 47.88 | 1.14             | 29.06 |
| 28                         | 28                   | 1.97        | 50.04 | 1.56    | 39.62 | 1.47    | 37.31 | 0.75    | 19.05 | 2.06    | 52.32 | 2.14        | 54.23 | 1.38             | 35.03 |

Note: For more cable entry and length options, email: sales@backshellworld.com  
All dimensions for reference only.

38999

- III
- HD
- Dualok
- II
- I
- SJT
- Accessories
- Aquacon
- Herm/Seal
- PCB

- Fiber Optics
- High Speed
- Contacts

EMI Filter Transient

Matrix 2 26482

Matrix | Pyle III 83723

Pyle 26500

5015 Crimp Rear Release Matrix

Class 1 22992

Backshells

Options Others

26482 Matrix Series 2

5015 Matrix (MS345X)

83723 Matrix & Pyle Series III

Connector Family "J", includes:  
MIL-DTL-26482 Series 2,  
MIL-DTL-5015 Matrix (MS345X)  
MIL-DTL-83723 Series III



STRAIGHT



90 DEGREE

45 DEGREE

**MIL Part Number**

**M85049 / 52 - 10 W**

MIL Series ————

Slash Sheet: ————

52: Straight  
51: 90°  
43: 45°

Coupling: ————

S: Self-Lock  
-: Non Self-Lock for 45° & Straight  
-1-: Non Self-Lock for 90°

Finish:  
See Table-2  
(pg. 486)

Dash Number:  
See Table-A

TABLE - A

| MIL PART NUMBER DESIGNATOR | CONNECTOR SHELL SIZE | A DIA.(MAX) |       | B DIA.(MAX) |       | C (MAX) |       | D (MAX) |       | E (MAX) |       | F (MAX) |       |
|----------------------------|----------------------|-------------|-------|-------------|-------|---------|-------|---------|-------|---------|-------|---------|-------|
|                            |                      | INCH        | MM    | INCH        | MM    | INCH    | MM    | INCH    | MM    | INCH    | MM    | INCH    | MM    |
| 8                          | 8                    | 0.62        | 15.67 | 0.89        | 22.48 | 0.63    | 16.00 | 0.73    | 18.54 | 1.32    | 33.53 | 0.77    | 19.61 |
| 10                         | 10                   | 0.73        | 18.64 | 1.01        | 25.65 | 0.74    | 18.80 | 0.85    | 21.59 | 1.36    | 34.65 | 0.80    | 20.40 |
| 12                         | 7/12                 | 0.86        | 21.79 | 1.14        | 28.83 | 0.86    | 21.84 | 0.98    | 24.89 | 1.44    | 36.53 | 0.87    | 22.00 |
| 14                         | 12/14                | 0.98        | 24.99 | 1.26        | 32.00 | 0.86    | 21.84 | 0.98    | 24.89 | 1.48    | 37.59 | 0.93    | 23.57 |
| 16                         | 19/16                | 1.11        | 28.24 | 1.39        | 35.18 | 0.99    | 25.15 | 1.10    | 27.94 | 1.59    | 40.28 | 0.99    | 25.17 |
| 18                         | 27/18                | 1.22        | 30.94 | 1.51        | 38.35 | 1.24    | 31.50 | 1.35    | 34.29 | 1.70    | 43.28 | 1.11    | 28.19 |
| 20                         | 37/20                | 1.35        | 34.16 | 1.64        | 41.53 | 1.36    | 34.54 | 1.48    | 37.59 | 1.75    | 44.40 | 1.17    | 29.77 |
| 22                         | 22                   | 1.47        | 37.29 | 1.76        | 44.70 | 1.49    | 37.85 | 1.60    | 40.64 | 1.79    | 45.52 | 1.24    | 31.37 |
| 24                         | 24                   | 1.59        | 40.46 | 1.89        | 47.88 | 1.61    | 40.89 | 1.73    | 43.94 | 1.84    | 46.63 | 1.30    | 32.94 |
| 28                         | 28                   | 1.97        | 50.01 | 2.14        | 54.23 | 1.76    | 44.70 | 1.88    | 47.75 | 1.96    | 49.81 | 1.54    | 39.19 |
| 32                         | 32                   | 2.22        | 56.36 | 2.40        | 60.83 | 1.95    | 49.53 | 2.13    | 54.10 | 2.05    | 52.04 | 1.67    | 42.37 |
| 36                         | 36                   | 2.47        | 62.71 | 2.64        | 66.93 | 2.33    | 59.18 | 2.44    | 61.98 | 2.09    | 53.16 | 1.79    | 45.54 |
| 40                         | 40                   | 2.72        | 69.06 | 2.89        | 73.28 | 2.51    | 63.75 | 2.63    | 66.80 | 2.09    | 53.19 | 1.92    | 48.72 |
| 44                         | 44                   | 2.97        | 75.41 | 3.14        | 79.63 | 2.89    | 73.41 | 3.00    | 76.20 | 2.36    | 59.94 | 2.13    | 54.15 |
| 48                         | 48                   | 3.22        | 81.76 | 3.39        | 85.98 | 3.26    | 82.80 | 3.40    | 86.36 | 2.45    | 62.18 | 2.26    | 57.33 |

Note: For more cable entry and length options, email: sales@backshellworld.com  
All dimensions for reference only.

38999

III

HD

Dualok

II

I

SJT

Accessories

Aquacon

Herm/Seal

PCB

High Speed

Fiber Optics

Contacts

EMI Filter Transient

26482 Matrix 2

83723 III Matrix | Pyle

26500 Pyle

5015 Crimp Rear Release Matrix

22992 Class L

Back-Shells

Options Others

## Strain Relief Clamp

Straight, 90° and 45°, Self-Lock/Non Self-Lock, cont.

### For Connector Family J

**26482 Matrix Series 2**

**5015 Matrix (MS345X)**

**83723 Matrix & Pyle Series III**

Connector Family "J", includes:  
MIL-DTL-26482 Series 2,  
MIL-DTL-5015 Matrix (MS345X)  
MIL-DTL-83723 Series III

TABLE - A

| MIL PART NUMBER DESIGNATOR | CONNECTOR SHELL SIZE | G (MAX) |       | H (MAX) |       | M (MAX) |       | CABLE ENTRY |       |      |       |
|----------------------------|----------------------|---------|-------|---------|-------|---------|-------|-------------|-------|------|-------|
|                            |                      | INCH    | MM    | INCH    | MM    | INCH    | MM    | MIN         |       | MAX  |       |
|                            |                      |         |       |         |       |         |       | INCH        | MM    | INCH | MM    |
| 08                         | 8                    | 0.93    | 23.62 | 0.75    | 18.95 | 0.78    | 19.86 | 0.13        | 3.18  | 0.20 | 5.18  |
| 10                         | 10                   | 1.02    | 25.91 | 0.81    | 20.45 | 0.86    | 21.89 | 0.19        | 4.75  | 0.29 | 7.26  |
| 12                         | 7/12                 | 1.21    | 30.73 | 0.87    | 22.02 | 1.00    | 25.48 | 0.29        | 7.39  | 0.42 | 10.57 |
| 14                         | 12/14                | 1.27    | 32.26 | 0.93    | 23.62 | 1.06    | 26.95 | 0.35        | 8.92  | 0.48 | 12.09 |
| 16                         | 19/16                | 1.42    | 36.07 | 0.99    | 25.25 | 1.33    | 33.88 | 0.50        | 12.73 | 0.63 | 15.90 |
| 18                         | 27/18                | 1.53    | 38.86 | 1.17    | 29.74 | 1.47    | 37.24 | 0.52        | 13.16 | 0.71 | 17.93 |
| 20                         | 37/20                | 1.65    | 41.91 | 1.23    | 31.34 | 1.57    | 39.93 | 0.58        | 14.76 | 0.83 | 21.11 |
| 22                         | 22                   | 1.78    | 45.21 | 1.30    | 32.92 | 1.69    | 42.88 | 0.64        | 16.36 | 0.96 | 24.28 |
| 24                         | 24                   | 1.90    | 48.26 | 1.36    | 34.49 | 1.79    | 45.47 | 0.71        | 17.93 | 1.08 | 27.46 |
| 28                         | 28                   | 2.20    | 55.88 | 1.57    | 39.93 | 2.04    | 51.69 | 0.75        | 19.05 | 1.19 | 30.15 |
| 32                         | 32                   | 2.27    | 57.66 | 1.80    | 45.64 | 2.39    | 60.60 | 0.88        | 22.23 | 1.25 | 31.75 |
| 36                         | 36                   | 2.39    | 60.71 | 1.92    | 48.82 | 2.50    | 63.40 | 0.94        | 23.83 | 1.38 | 34.93 |
| 40                         | 40                   | 2.52    | 64.01 | 2.05    | 51.99 | 2.57    | 65.18 | 0.94        | 23.83 | 1.50 | 38.10 |
| 44                         | 44                   | 2.77    | 70.36 | 2.30    | 58.32 | 2.86    | 72.64 | 1.19        | 30.18 | 1.75 | 44.45 |
| 48                         | 48                   | 2.89    | 73.41 | 2.42    | 61.49 | 3.34    | 84.94 | 1.31        | 33.32 | 1.88 | 47.63 |

Note: For more cable entry and length options, email: [sales@backshellworld.com](mailto:sales@backshellworld.com)  
All dimensions for reference only.

38999

III

HD

Dualok

II

I

SJT

Accessories

Aquacon

Herm/Seal

PCB

Fiber Optics

High Speed

Contacts

EMI Filter Transient

Matrix 2 26482

Matrix | Pyle III 83723

Pyle 26500

5015 Crimp Rear Release Matrix

Class I 22992

Back-Shells

Options Others

### For Connector Family J

26482 Matrix Series 2

5015 Matrix (MS345X)

83723 Matrix & Pyle Series III

Connector Family "J", includes:  
MIL-DTL-26482 Series 2,  
MIL-DTL-5015 Matrix (MS345X)  
MIL-DTL-83723 Series III



#### MIL Part Number



| MIL PART NUMBER DESIGNATOR | CONNECTOR SHELL SIZE/ CODE (REF.) | A DIA.(MAX) |       | B LENGTH  |             | C (MAX) |       | D (MAX) |       | E (CLOSED) |       |
|----------------------------|-----------------------------------|-------------|-------|-----------|-------------|---------|-------|---------|-------|------------|-------|
|                            |                                   | INCH        | MM    | INCH      | MM          | INCH    | MM    | INCH    | MM    | ±.031      | ±.787 |
| 08                         | 8S                                | 0.89        | 22.61 | 0.77/0.51 | 19.56/12.95 | 1.14    | 28.96 | 0.88    | 22.35 | 0.22       | 5.56  |
| 10                         | 10S, 10SL                         | 1.01        | 25.65 | 0.89/0.64 | 22.61/16.26 | 1.25    | 31.75 | 0.94    | 23.88 | 0.26       | 6.71  |
| 12                         | 12, 12S                           | 1.14        | 28.96 | 1.01/0.76 | 25.65/19.30 | 1.38    | 35.05 | 1.12    | 28.45 | 0.34       | 8.74  |
| 14                         | 14, 14S                           | 1.26        | 32.00 | 1.01/0.76 | 25.65/19.30 | 1.38    | 35.05 | 1.19    | 30.23 | 0.46       | 11.68 |
| 16                         | 16, 16S                           | 1.39        | 35.31 | 1.13/0.88 | 28.70/22.35 | 1.50    | 38.10 | 1.44    | 36.58 | 0.55       | 13.84 |
| 18                         | 18                                | 1.51        | 38.35 | 1.38/1.13 | 35.05/28.70 | 1.75    | 44.45 | 1.56    | 39.62 | 0.62       | 15.62 |
| 20                         | 20                                | 1.64        | 41.66 | 1.51/1.25 | 38.35/31.75 | 1.88    | 47.75 | 1.69    | 42.93 | 0.69       | 17.53 |
| 22                         | 22                                | 1.76        | 44.70 | 1.62/1.38 | 41.15/35.05 | 2.00    | 50.80 | 1.75    | 44.45 | 0.78       | 19.81 |
| 24                         | 24                                | 1.89        | 48.01 | 1.76/1.51 | 44.70/38.35 | 2.13    | 54.10 | 1.88    | 47.75 | 0.85       | 21.59 |
| 28                         | 28                                | 2.14        | 54.36 | 2.03/1.67 | 51.56/42.42 | 2.56    | 65.02 | 2.12    | 53.85 | 0.95       | 24.13 |
| 32                         | 32                                | 2.40        | 60.96 | 2.28/1.87 | 57.91/47.50 | 2.81    | 71.37 | 2.50    | 63.50 | 1.02       | 25.78 |
| 36                         | 36                                | 2.64        | 67.06 | 2.53/2.22 | 64.26/56.39 | 3.06    | 77.72 | 2.62    | 66.55 | 1.19       | 30.15 |
| 40                         | 40                                | 2.89        | 73.41 | 2.63/2.41 | 66.80/61.21 | 3.16    | 80.26 | 2.68    | 68.07 | 1.22       | 30.99 |
| 44                         | 44                                | 3.14        | 79.76 | 3.00/2.80 | 76.20/71.12 | 3.53    | 89.66 | 3.00    | 76.20 | 1.50       | 38.10 |
| 48                         | 48                                | 3.39        | 86.11 | 3.40/3.20 | 86.36/81.28 | 3.93    | 99.82 | 3.50    | 88.90 | 1.63       | 41.28 |

Note: For more cable entry and length options, email: [sales@backshellworld.com](mailto:sales@backshellworld.com)  
All dimensions for reference only.

## Strain Relief Clamp 90°, Self-Lock/Non Self-Lock

For Connector Family J

26482 Matrix Series 2

5015 Matrix (MS345X)

83723 Matrix & Pyle Series III

Connector Family "J", includes:  
MIL-DTL-26482 Series 2,  
MIL-DTL-5015 Matrix (MS345X)  
MIL-DTL-83723 Series III



90 DEGREE

### MIL Part Number

**M85049 / 120 - 10 W**

MIL Series ————  
Slash Sheet: 120: 90°  
Finish: See Table-2 (pg. 486)  
Dash Number: See Table-A  
Coupling: S: Self-Lock  
          -: Non Self-Lock

TABLE - A

| MIL PART NUMBER DESIGNATOR | CONNECTOR SHELL SIZE | A DIA.(MAX) |       | B (MAX) |       | C (MAX) |       | D (MAX) |       | E (CLOSED) |       |
|----------------------------|----------------------|-------------|-------|---------|-------|---------|-------|---------|-------|------------|-------|
|                            |                      | INCH        | MM    | INCH    | MM    | INCH    | MM    | INCH    | MM    | ±.031      | ±.787 |
|                            |                      |             |       |         |       |         |       |         |       | INCH       | MM    |
| 08                         | 8S                   | 0.88        | 22.35 | 0.93    | 23.62 | 1.29    | 32.77 | 0.81    | 20.57 | 0.22       | 5.56  |
| 10                         | 10S, 10SL            | 0.94        | 23.88 | 1.02    | 25.91 | 1.38    | 35.05 | 0.87    | 22.10 | 0.26       | 6.71  |
| 12                         | 12, 12S              | 1.12        | 28.45 | 1.21    | 30.73 | 1.57    | 39.88 | 0.93    | 23.62 | 0.34       | 8.74  |
| 14                         | 14, 14S              | 1.19        | 30.23 | 1.27    | 32.26 | 1.63    | 41.40 | 1.00    | 25.40 | 0.46       | 11.68 |
| 16                         | 16, 16S              | 1.44        | 36.58 | 1.42    | 36.07 | 1.78    | 45.21 | 1.06    | 26.92 | 0.55       | 13.84 |
| 18                         | 18                   | 1.56        | 39.62 | 1.53    | 38.86 | 1.89    | 48.01 | 1.23    | 31.24 | 0.62       | 15.62 |
| 20                         | 20                   | 1.69        | 42.93 | 1.65    | 41.91 | 2.01    | 51.05 | 1.30    | 33.02 | 0.70       | 17.73 |
| 22                         | 22                   | 1.75        | 44.45 | 1.78    | 45.21 | 2.14    | 54.36 | 1.36    | 34.54 | 0.78       | 19.81 |
| 24                         | 24                   | 1.88        | 47.75 | 1.90    | 48.26 | 2.26    | 57.40 | 1.42    | 36.07 | 0.85       | 21.59 |
| 28                         | 28                   | 2.12        | 53.85 | 2.20    | 55.88 | 2.72    | 69.09 | 1.63    | 41.40 | 0.95       | 24.13 |
| 32                         | 32                   | 2.50        | 63.50 | 2.27    | 57.66 | 2.79    | 70.87 | 1.86    | 47.24 | 1.02       | 25.78 |
| 36                         | 36                   | 2.62        | 66.55 | 2.39    | 60.71 | 2.91    | 73.91 | 1.98    | 50.29 | 1.19       | 30.15 |
| 40                         | 40                   | 2.68        | 68.07 | 2.52    | 64.01 | 3.04    | 77.22 | 2.10    | 53.34 | 1.22       | 30.99 |
| 44                         | 44                   | 3.00        | 76.20 | 2.77    | 70.36 | 3.29    | 83.57 | 2.36    | 59.94 | 1.50       | 38.10 |
| 48                         | 48                   | 3.50        | 88.90 | 2.89    | 73.41 | 3.41    | 86.61 | 2.48    | 62.99 | 1.63       | 41.28 |

Note: For more cable entry and length options, email: sales@backshellworld.com  
All dimensions for reference only.

38999

III

HD

Dualok

II

I

SJT

Accessories

Aquacon

Herm/Seal

PCB

Fiber

Optics

Contacts

High Speed

EMI Filter

Transient

Matrix 2

26482

Matrix | Pyle

III

83723

Pyle

26500

5015

Crimp Rear Release Matrix

22992

Class 1

Back-

Shells

Options

Others

### For Connector Family J

26482 Matrix Series 2

5015 Matrix (MS345X)

83723 Matrix & Pyle Series III

Connector Family "J", includes:  
MIL-DTL-26482 Series 2,  
MIL-DTL-5015 Matrix (MS345X)  
MIL-DTL-83723 Series III



| MIL PART NUMBER DESIGNATOR | CONNECTOR SHELL SIZE | A DIA. (MAX) |       | B DIA. (MAX) |       | C (MAX) |       | D (MAX) |       | E (MAX) |       |
|----------------------------|----------------------|--------------|-------|--------------|-------|---------|-------|---------|-------|---------|-------|
|                            |                      | INCH         | MM    | INCH         | MM    | INCH    | MM    | INCH    | MM    | INCH    | MM    |
| 08                         | 8                    | 0.62         | 15.67 | 0.89         | 22.48 | 0.54    | 13.72 | 0.71    | 18.03 | 0.27    | 6.86  |
| 10                         | 10                   | 0.73         | 18.64 | 1.01         | 25.65 | 0.54    | 13.72 | 0.71    | 18.03 | 0.38    | 9.53  |
| 12                         | 7/12                 | 0.86         | 21.79 | 1.14         | 28.83 | 0.54    | 13.72 | 0.71    | 18.03 | 0.51    | 12.98 |
| 14                         | 12/14                | 0.98         | 24.99 | 1.26         | 32.00 | 0.54    | 13.72 | 0.71    | 18.03 | 0.59    | 14.86 |
| 16                         | 19/16                | 1.11         | 28.24 | 1.39         | 35.18 | 0.54    | 13.72 | 0.71    | 18.03 | 0.71    | 18.03 |
| 18                         | 27/18                | 1.22         | 30.94 | 1.51         | 38.35 | 0.54    | 13.72 | 0.71    | 18.03 | 0.79    | 20.04 |
| 20                         | 37/20                | 1.35         | 34.16 | 1.64         | 41.53 | 0.54    | 13.72 | 0.71    | 18.03 | 0.91    | 23.22 |
| 22                         | 22                   | 1.47         | 37.29 | 1.76         | 44.70 | 0.54    | 13.72 | 0.71    | 18.03 | 1.04    | 26.39 |
| 24                         | 24                   | 1.59         | 40.46 | 1.89         | 47.88 | 0.54    | 13.72 | 0.71    | 18.03 | 1.15    | 29.31 |
| 28                         | 28                   | 1.97         | 50.01 | 2.14         | 54.23 | 0.70    | 17.83 | 0.89    | 22.61 | 1.39    | 35.28 |
| 32                         | 32                   | 2.22         | 56.36 | 2.40         | 60.83 | 0.70    | 17.83 | 0.89    | 22.61 | 1.64    | 41.53 |
| 36                         | 36                   | 2.47         | 62.71 | 2.64         | 66.93 | 0.70    | 17.83 | 0.89    | 22.61 | 1.85    | 46.99 |
| 40                         | 40                   | 2.72         | 69.06 | 2.89         | 73.28 | 0.70    | 17.83 | 0.89    | 22.61 | 2.07    | 52.45 |
| 44                         | 44                   | 2.97         | 75.41 | 3.14         | 79.63 | 0.70    | 17.83 | 0.89    | 22.61 | 2.32    | 58.93 |
| 48                         | 48                   | 3.22         | 81.76 | 3.39         | 85.98 | 0.70    | 17.83 | 0.89    | 22.61 | 2.57    | 65.28 |

Note: For more cable entry and length options, email: [sales@backshellworld.com](mailto:sales@backshellworld.com)  
All dimensions for reference only.

- 38999
- III
- HD
- Dualok
- II
- I
- SJT
- Accessories
- Aquacon
- Herm/Seal
- PCB
- High Speed
- Fiber Optics
- Contacts
- EMI Filter Transient
- 26482 Matrix 2
- 83723 III Matrix | Pyle
- 26500 Pyle
- 5015 Crimp Rear Release Matrix
- 22992 Class L
- Back-Shells
- Options Others



## Shrink Boot Nut Straight, Self-Lock/Non Self-Lock

### For Connector Family J

26482 Matrix Series 2

5015 Matrix (MS345X)

83723 Matrix & Pyle Series III

Connector Family "J", includes:  
MIL-DTL-26482 Series 2,  
MIL-DTL-5015 Matrix (MS345X)  
MIL-DTL-83723 Series III



| TABLE-A                    |                      |              |       |              |       |         |       |
|----------------------------|----------------------|--------------|-------|--------------|-------|---------|-------|
| MIL PART NUMBER DESIGNATOR | CONNECTOR SHELL SIZE | A DIA. (MAX) |       | B DIA. (MAX) |       | C (MAX) |       |
|                            |                      | INCH         | MM    | INCH         | MM    | INCH    | MM    |
| 08                         | 8                    | 0.69         | 17.48 | 0.66         | 16.69 | 0.54    | 13.72 |
| 10                         | 10                   | 0.80         | 20.40 | 0.77         | 19.66 | 0.54    | 13.72 |
| 12                         | 7/12                 | 0.94         | 23.83 | 0.90         | 22.81 | 0.54    | 13.72 |
| 14                         | 12/14                | 1.06         | 27.00 | 1.02         | 26.01 | 0.54    | 13.72 |
| 16                         | 19/16                | 1.24         | 31.45 | 1.15         | 29.26 | 0.54    | 13.72 |
| 18                         | 27/18                | 1.31         | 33.27 | 1.24         | 31.57 | 0.54    | 13.72 |
| 20                         | 37/20                | 1.44         | 36.47 | 1.37         | 34.80 | 0.54    | 13.72 |
| 22                         | 22                   | 1.56         | 39.62 | 1.44         | 36.65 | 0.54    | 13.72 |
| 24                         | 24                   | 1.69         | 42.82 | 1.62         | 41.10 | 0.54    | 13.72 |
| 28                         | 28                   | 2.06         | 52.37 | 1.97         | 50.01 | 0.70    | 17.83 |
| 32                         | 32                   | 2.31         | 58.72 | 2.22         | 56.36 | 0.70    | 17.83 |
| 36                         | 36                   | 2.56         | 65.07 | 2.47         | 62.71 | 0.70    | 17.83 |
| 40                         | 40                   | 2.81         | 71.42 | 2.72         | 69.06 | 0.70    | 17.83 |
| 44                         | 44                   | 3.06         | 77.77 | 2.97         | 75.41 | 0.70    | 17.83 |
| 48                         | 48                   | 3.31         | 84.12 | 3.22         | 81.76 | 0.70    | 17.83 |

Note: For more cable entry and length options, email: [sales@backshellworld.com](mailto:sales@backshellworld.com)  
All dimensions for reference only.

38999

III

HD

Dualok

II

I

SJT

Accessories

Aquacon

Herm/Seal

PCB

Fiber

Optics

Contacts

High Speed

EMC Filter

Transient

Matrix 2

26482

Matrix I/Pyle

83723

Pyle

26500

5015

Crimp Rear Release Matrix

22992

Class I

Back-

Shells

Options

Others

Компания «Океан Электроники» предлагает заключение долгосрочных отношений при поставках импортных электронных компонентов на взаимовыгодных условиях!

Наши преимущества:

- Поставка оригинальных импортных электронных компонентов напрямую с производств Америки, Европы и Азии, а так же с крупнейших складов мира;
- Широкая линейка поставок активных и пассивных импортных электронных компонентов (более 30 млн. наименований);
- Поставка сложных, дефицитных, либо снятых с производства позиций;
- Оперативные сроки поставки под заказ (от 5 рабочих дней);
- Экспресс доставка в любую точку России;
- Помощь Конструкторского Отдела и консультации квалифицированных инженеров;
- Техническая поддержка проекта, помощь в подборе аналогов, поставка прототипов;
- Поставка электронных компонентов под контролем ВП;
- Система менеджмента качества сертифицирована по Международному стандарту ISO 9001;
- При необходимости вся продукция военного и аэрокосмического назначения проходит испытания и сертификацию в лаборатории (по согласованию с заказчиком);
- Поставка специализированных компонентов военного и аэрокосмического уровня качества (Xilinx, Altera, Analog Devices, Intersil, Interpoint, Microsemi, Actel, Aeroflex, Peregrine, VPT, Syfer, Eurofarad, Texas Instruments, MS Kennedy, Miteq, Cobham, E2V, MA-COM, Hittite, Mini-Circuits, General Dynamics и др.);

Компания «Океан Электроники» является официальным дистрибьютором и эксклюзивным представителем в России одного из крупнейших производителей разъемов военного и аэрокосмического назначения «JONHON», а так же официальным дистрибьютором и эксклюзивным представителем в России производителя высокотехнологичных и надежных решений для передачи СВЧ сигналов «FORSTAR».



## JONHON

«JONHON» (основан в 1970 г.)

Разъемы специального, военного и аэрокосмического назначения:

(Применяются в военной, авиационной, аэрокосмической, морской, железнодорожной, горно- и нефтедобывающей отраслях промышленности)

«FORSTAR» (основан в 1998 г.)

ВЧ соединители, коаксиальные кабели, кабельные сборки и микроволновые компоненты:

(Применяются в телекоммуникациях гражданского и специального назначения, в средствах связи, РЛС, а так же военной, авиационной и аэрокосмической отраслях промышленности).



Телефон: 8 (812) 309-75-97 (многоканальный)

Факс: 8 (812) 320-03-32

Электронная почта: [ocean@oceanchips.ru](mailto:ocean@oceanchips.ru)

Web: <http://oceanchips.ru/>

Адрес: 198099, г. Санкт-Петербург, ул. Калинина, д. 2, корп. 4, лит. А