

E6C3-C

Durable and Easy to Use

- Sealed bearings with IP65 oil resistance.
- Superior shaft loading performance.
Radial: 80 N, Thrust: 50 N



 Be sure to read *Safety Precautions* on page 4.

Ordering Information

Encoders [Refer to *Dimensions* on page 4.]

| Power supply voltage | Output configuration | Resolution (pulses/rotation) | Connection method | Model |
|----------------------|----------------------|------------------------------|--|--|
| 12 to 24 VDC | Complementary output | 100, 200, | Pre-wired (1 m) (See note.) | E6C3-CWZ5GH (resolution) 1M Example: E6C3-CWZ5GH 100P/R 1M |
| | | 300, 360, 500 | | |
| | | 600, 720, 800 | | |
| | | 1,000, 1,024, 1,200 | | |
| | | 1,500, 1,800, 2,000 | | |
| | | 2,048, 2,500, 3,600 | | |
| 5 to 12 VDC | Voltage output | 100, 200 | | E6C3-CWZ3EH (resolution) 1M Example: E6C3-CWZ3EH 100P/R 1M |
| | | 300, 360, 500 | | |
| | | 600, 720, 800 | | |
| | | 1,000, 1,024, 1,200 | | |
| | | 1,500, 1,800, 2,000 | | |
| | | 2,048, 2,500, 3,600 | | |
| 5 to 12 VDC | Line-driver output | 100, 200, | E6C3-CWZ3XH (resolution) 1M Example: E6C3-CWZ3XH 100P/R 1M | |
| | | 300, 360, 500 | | |
| | | 600, 720, 800 | | |
| | | 1,000, 1,024, 1,200 | | |
| | | 1,500, 1,800, 2,000 | | |
| | | 2,048, 2,500, 3,600 | | |

Note: Models with 2-m cable are also available. When ordering, specify the cable length at the end of the model number (example: E6C3-CWZ5GH 300P/R 2M).

Accessories (Order Separately) [Refer to *Dimensions on Rotary Encoder Accessories.*]

| Name | Model | Remarks |
|------------------------|-----------|--|
| Couplings | E69-C08B | --- |
| | E69-C68B | Different end diameter (6 to 8 mm) |
| Flanges | E69-FCA03 | --- |
| | E69-FCA04 | E69-2 Servo Mounting Bracket provided. |
| Servo Mounting Bracket | E69-2 | Provided with E69-FCA04 Flange. |

Refer to *Accessories* for details.

Ratings and Specifications

| Item | Model | E6C3-CWZ5GH | E6C3-CWZ3EH | E6C3-CWZ3XH |
|----------------------------------|--------|---|---|---|
| Power supply voltage | | 12 VDC -10% to 24 VDC +15%, ripple (p-p): 5% max. | 5 VDC -5% to 12 VDC +10%, ripple (p-p): 5% max. | |
| Current consumption*1 | | 100 mA max. | | |
| Resolution (pulses/rotation) | | 100, 200, 300, 360, 500, 600, 720, 800, 1,000, 1,024, 1,200, 1,500, 1,800, 2,000, 2,048, 2,500, 3,600 | | |
| Output phases | | Phases A, B, and Z*5 | | Phases A, \bar{A} , B, \bar{B} , Z, and \bar{Z} |
| Output configuration | | Complementary outputs*2 | Voltage output (NPN output) | Line driver output*3 |
| Output capacity | | Output voltage: $V_H = V_{CC} = 3 \text{ V min.}$ ($I_O = 30 \text{ mA}$) $V_L = 2 \text{ V max.}$ ($I_O = -30 \text{ mA}$) Output current: $\pm 30 \text{ mA}$ | Output resistance: 2 k Ω Output current: 35 mA max. Residual voltage: 0.7 V max. | AM26LS31 equivalent Output current: High level: $I_O = -10 \text{ mA}$ Low level: $I_S = 10 \text{ mA}$ Output voltage: $V_O = 2.5 \text{ V min.}$ $V_S = 0.5 \text{ V max.}$ |
| Maximum response frequency*4 | | 125 kHz (65 kHz when using phase Z reset) | | |
| Phase difference between outputs | | 90°±45° between A and B (1/4 T ± 1/8 T) | | |
| Rise and fall times of output | | 1 μs max. (Cable length: 2 m, Output current: 30 mA) | 1 μs max. (Cable length: 2 m, Output current: 35 mA) | 1 μs max. (Cable length: 2 m, $I_O = -10 \text{ mA}$, $I_S = 10 \text{ mA}$) |
| Starting torque | | 10 mN·m max. at room temperature, 30 mN·m max. at low temperature | | |
| Moment of inertia | | 2.0 × 10 ⁻⁶ kg·m ² max.; 1.9 × 10 ⁻⁶ kg·m ² max. at 500 P/R max. | | |
| Shaft loading | Radial | 80 N | | |
| | Thrust | 50 N | | |
| Maximum permissible speed | | 5,000 r/min | | |
| Protection circuits | | Power supply reverse polarity protection, Output load short-circuit protection | | --- |
| Ambient temperature range | | Operating: -10 to 70°C (with no icing), Storage: -25 to 85°C (with no icing) | | |
| Ambient humidity range | | Operating/Storage: 35% to 85% (with no condensation) | | |
| Insulation resistance | | 20 M Ω min. (at 500 VDC) between current-carrying parts and case | | |
| Dielectric strength | | 500 VAC, 50/60 Hz for 1 min between current-carrying parts and case | | |
| Vibration resistance | | Destruction: 10 to 500 Hz, 150 m/s ² or 2-mm double amplitude for 11 min 3 times each in X, Y, and Z directions | | |
| Shock resistance | | Destruction: 1,000 m/s ² 3 times each in X, Y, and Z directions | | |
| Degree of protection | | IEC 60529 IP65, in-house standards: oilproof | | |
| Connection method | | Pre-wired Models (Standard cable length: 1 m) | | |
| Material | | Case: Aluminum, Main unit: Aluminum, Shaft: SUS303 | | |
| Weight (packed state) | | Approx. 300 g | | |
| Accessories | | Instruction manual | | |

*1. An inrush current of approximately 9 A will flow for approximately 0.1 ms when the power is turned ON.

*2. Complementary Output

The complementary output has two output transistors (NPN and PNP) as shown below. These two output transistors alternately turn ON and OFF depending on the high or low output signal. When using them, pull up to the positive power supply voltage level or pull down to 0 V. The complementary output allows flow-in or flow-out of the output current and thus the rising and falling speeds of signals are fast. This allows a long cable distance. They can be connected to open-collector input devices (NPN, PNP).



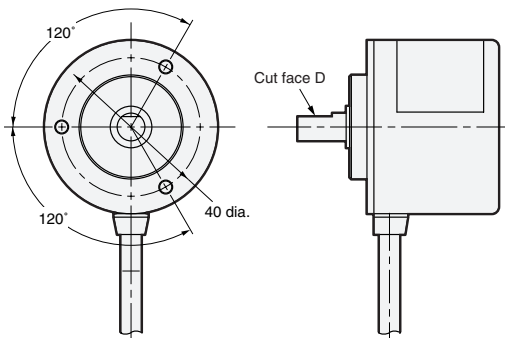
*3. The line driver output is a data transmission circuit compatible with RS-422A and long-distance transmission is possible with a twisted-pair cable. (AM26LS31 equivalent)

*4. The maximum electrical response speed is determined by the resolution and maximum response frequency as follows:

$$\text{Maximum electrical response speed (rpm)} = \frac{\text{Maximum response frequency}}{\text{Resolution}} \times 60$$

This means that the Rotary Encoder will not operate electrically if its speed exceeds the maximum electrical response speed.

*5. The phase Z signal is output when cut face D on the shaft and the cable connection direction are as shown in the following diagram (output position range: ±15°).



I/O Circuit Diagrams

| Model/Output Circuits | Output mode | Connection | | | | | | | | | | | | | | | | | | |
|--|--|---|-------|----------|-------|---------------------|-------|----------------|-------|----------------|--------|----------------|-------------------|------------------------|-------------------|------------------------|--------------------|------------------------|------|--------------|
| <p>E6C3-CWZ5GH</p> <p>12 VDC -10% to 24 VDC +15%</p> <p>Output signal (Black: phase A, White: phase B, Orange: phase Z)</p> <p>0 V</p> <p>GND</p> | <p>E6C3-CWZ3EH Voltage Output Model E6C3-CWZ5GH Complementary Output Model</p> <p>Direction of rotation: CW (as viewed from end of shaft) Direction of rotation: CCW (as viewed from end of shaft)</p> <p>Note: Phase A is $1/4 T \pm 1/8 T$ faster than phase B. Note: Phase A is $1/4 T \pm 1/8 T$ slower than phase B.</p> | <table border="1"> <thead> <tr> <th>Color</th> <th>Terminal</th> </tr> </thead> <tbody> <tr> <td>Brown</td> <td>Power supply (+Vcc)</td> </tr> <tr> <td>Black</td> <td>Output phase A</td> </tr> <tr> <td>White</td> <td>Output phase B</td> </tr> <tr> <td>Orange</td> <td>Output phase Z</td> </tr> <tr> <td>Blue</td> <td>0 V (common)</td> </tr> </tbody> </table> | Color | Terminal | Brown | Power supply (+Vcc) | Black | Output phase A | White | Output phase B | Orange | Output phase Z | Blue | 0 V (common) | | | | | | |
| Color | Terminal | | | | | | | | | | | | | | | | | | | |
| Brown | Power supply (+Vcc) | | | | | | | | | | | | | | | | | | | |
| Black | Output phase A | | | | | | | | | | | | | | | | | | | |
| White | Output phase B | | | | | | | | | | | | | | | | | | | |
| Orange | Output phase Z | | | | | | | | | | | | | | | | | | | |
| Blue | 0 V (common) | | | | | | | | | | | | | | | | | | | |
| <p>E6C3-CWZ3EH</p> <p>5 VDC -5% to 12 VDC +10%</p> <p>Output signal (Black: phase A, White: phase B, Orange: phase Z)</p> <p>0 V</p> <p>GND</p> | <p>E6C3-CWZ3XH Line Driver Output Model</p> <p>Direction of rotation: CW (as viewed from end of shaft) Direction of rotation: CCW (as viewed from end of shaft)</p> <p>Note: Phase A is $1/4 T \pm 1/8 T$ faster than phase B. Note: Phase A is $1/4 T \pm 1/8 T$ slower than phase B.</p> | <table border="1"> <thead> <tr> <th>Color</th> <th>Terminal</th> </tr> </thead> <tbody> <tr> <td>Brown</td> <td>Power supply (+Vcc)</td> </tr> <tr> <td>Black</td> <td>Output phase A</td> </tr> <tr> <td>White</td> <td>Output phase B</td> </tr> <tr> <td>Orange</td> <td>Output phase Z</td> </tr> <tr> <td>Black/red stripes</td> <td>Output phase \bar{A}</td> </tr> <tr> <td>White/red stripes</td> <td>Output phase \bar{B}</td> </tr> <tr> <td>Orange/red stripes</td> <td>Output phase \bar{Z}</td> </tr> <tr> <td>Blue</td> <td>0 V (common)</td> </tr> </tbody> </table> <p>Note: Receiver: AM26LS32 equivalent</p> | Color | Terminal | Brown | Power supply (+Vcc) | Black | Output phase A | White | Output phase B | Orange | Output phase Z | Black/red stripes | Output phase \bar{A} | White/red stripes | Output phase \bar{B} | Orange/red stripes | Output phase \bar{Z} | Blue | 0 V (common) |
| Color | Terminal | | | | | | | | | | | | | | | | | | | |
| Brown | Power supply (+Vcc) | | | | | | | | | | | | | | | | | | | |
| Black | Output phase A | | | | | | | | | | | | | | | | | | | |
| White | Output phase B | | | | | | | | | | | | | | | | | | | |
| Orange | Output phase Z | | | | | | | | | | | | | | | | | | | |
| Black/red stripes | Output phase \bar{A} | | | | | | | | | | | | | | | | | | | |
| White/red stripes | Output phase \bar{B} | | | | | | | | | | | | | | | | | | | |
| Orange/red stripes | Output phase \bar{Z} | | | | | | | | | | | | | | | | | | | |
| Blue | 0 V (common) | | | | | | | | | | | | | | | | | | | |
| <p>E6C3-CWZ3XH</p> <p>5 VDC -5% to 12 VDC +10%</p> <p>Non-reversed output (Black: phase A, White: phase B, Orange: phase Z)</p> <p>Reversed output (Black/red: phase \bar{A}, White/red: phase \bar{B}, orange/red: phase \bar{Z})</p> <p>0 V</p> <p>GND</p> | | | | | | | | | | | | | | | | | | | | |

- Note: 1. The shielded cable outer core (shield) is not connected to the inner area or to the case.
 2. The phase A, phase B, and phase Z circuits are all identical.
 3. Normally, connect GND to 0 V or to an external ground.

Safety Precautions

Refer to *Warranty and Limitations of Liability*.

⚠ WARNING

This product is not designed or rated for ensuring safety of persons either directly or indirectly. Do not use it for such purposes.



Precautions for Correct Use

Do not use the Encoder under ambient conditions that exceed the ratings.

● **Wiring**

Connections

Cable Extension Characteristics

- When the cable length is extended, the output waveform startup time is lengthened and it affects the phase difference characteristics of phases A and B. Conditions will change according to frequency, noise, and other factors. As a guideline, use a cable length of 10 m* or less. If the cable must be more than 10 m, use a Model with a Line-driver Output or Complementary Output (max. length for line-driver output: 100 m).

* Recommended Cable
 Conductor cross section: 0.2 mm²
 Spiral shield
 Conductor resistance: 92 Ω/km max. (20°C)
 Insulation resistance: 5 Ω/km min. (20°C)

- The output waveform startup time changes not only according to the length of the cable, but also according to the load resistance and the cable type.
- Extending the cable length not only changes the startup time, but also increases the output residual voltage.

● **Connection**

Spurious pulses may be generated when power is turned ON and OFF. Wait at least 0.1 s after turning ON the power to the Encoder before using the connected device, and stop using the connected device at least 0.1 s before turning OFF the power to the Encoder. Also, turn ON the power to the load only after turning ON the power to the Encoder.

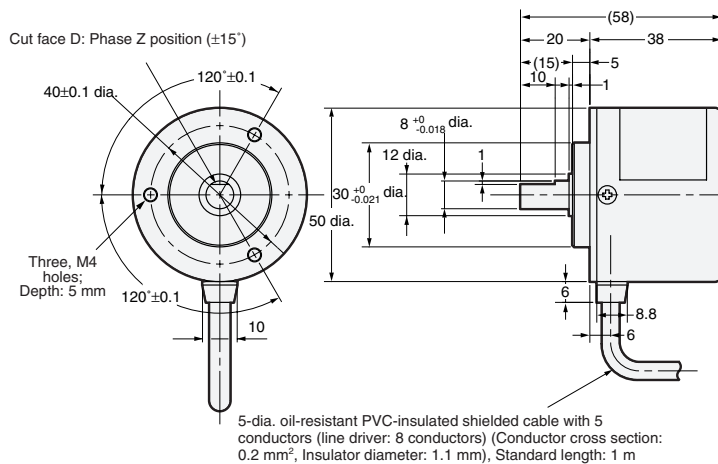
(Unit: mm)

Dimensions

Tolerance class IT16 applies to dimensions in this datasheet unless otherwise specified.

Encoder

E6C3-CWZ□□H



The E69-C08B Coupling is sold separately.

Accessories (Order Separately)

Couplings

E69-C08B
 E69-C68B

Flanges

E69-FCA03
 E69-FCA04

Servo Mounting Bracket

E69-2

Refer to *Accessories* for details.

Read and Understand This Catalog

Please read and understand this catalog before purchasing the products. Please consult your OMRON representative if you have any questions or comments.

Warranty and Limitations of Liability

WARRANTY

OMRON's exclusive warranty is that the products are free from defects in materials and workmanship for a period of one year (or other period if specified) from date of sale by OMRON.

OMRON MAKES NO WARRANTY OR REPRESENTATION, EXPRESS OR IMPLIED, REGARDING NON-INFRINGEMENT, MERCHANTABILITY, OR FITNESS FOR PARTICULAR PURPOSE OF THE PRODUCTS. ANY BUYER OR USER ACKNOWLEDGES THAT THE BUYER OR USER ALONE HAS DETERMINED THAT THE PRODUCTS WILL SUITABLY MEET THE REQUIREMENTS OF THEIR INTENDED USE. OMRON DISCLAIMS ALL OTHER WARRANTIES, EXPRESS OR IMPLIED.

LIMITATIONS OF LIABILITY

OMRON SHALL NOT BE RESPONSIBLE FOR SPECIAL, INDIRECT, OR CONSEQUENTIAL DAMAGES, LOSS OF PROFITS OR COMMERCIAL LOSS IN ANY WAY CONNECTED WITH THE PRODUCTS, WHETHER SUCH CLAIM IS BASED ON CONTRACT, WARRANTY, NEGLIGENCE, OR STRICT LIABILITY.

In no event shall the responsibility of OMRON for any act exceed the individual price of the product on which liability is asserted.

IN NO EVENT SHALL OMRON BE RESPONSIBLE FOR WARRANTY, REPAIR, OR OTHER CLAIMS REGARDING THE PRODUCTS UNLESS OMRON'S ANALYSIS CONFIRMS THAT THE PRODUCTS WERE PROPERLY HANDLED, STORED, INSTALLED, AND MAINTAINED AND NOT SUBJECT TO CONTAMINATION, ABUSE, MISUSE, OR INAPPROPRIATE MODIFICATION OR REPAIR.

Application Considerations

SUITABILITY FOR USE

OMRON shall not be responsible for conformity with any standards, codes, or regulations that apply to the combination of products in the customer's application or use of the products.

At the customer's request, OMRON will provide applicable third party certification documents identifying ratings and limitations of use that apply to the products. This information by itself is not sufficient for a complete determination of the suitability of the products in combination with the end product, machine, system, or other application or use.

The following are some examples of applications for which particular attention must be given. This is not intended to be an exhaustive list of all possible uses of the products, nor is it intended to imply that the uses listed may be suitable for the products:

- Outdoor use, uses involving potential chemical contamination or electrical interference, or conditions or uses not described in this catalog.
- Nuclear energy control systems, combustion systems, railroad systems, aviation systems, medical equipment, amusement machines, vehicles, safety equipment, and installations subject to separate industry or government regulations.
- Systems, machines, and equipment that could present a risk to life or property.

Please know and observe all prohibitions of use applicable to the products.

NEVER USE THE PRODUCTS FOR AN APPLICATION INVOLVING SERIOUS RISK TO LIFE OR PROPERTY WITHOUT ENSURING THAT THE SYSTEM AS A WHOLE HAS BEEN DESIGNED TO ADDRESS THE RISKS, AND THAT THE OMRON PRODUCTS ARE PROPERLY RATED AND INSTALLED FOR THE INTENDED USE WITHIN THE OVERALL EQUIPMENT OR SYSTEM.

PROGRAMMABLE PRODUCTS

OMRON shall not be responsible for the user's programming of a programmable product, or any consequence thereof.

Disclaimers

CHANGE IN SPECIFICATIONS

Product specifications and accessories may be changed at any time based on improvements and other reasons.

It is our practice to change model numbers when published ratings or features are changed, or when significant construction changes are made. However, some specifications of the products may be changed without any notice. When in doubt, special model numbers may be assigned to fix or establish key specifications for your application on your request. Please consult with your OMRON representative at any time to confirm actual specifications of purchased products.

DIMENSIONS AND WEIGHTS

Dimensions and weights are nominal and are not to be used for manufacturing purposes, even when tolerances are shown.

PERFORMANCE DATA

Performance data given in this catalog is provided as a guide for the user in determining suitability and does not constitute a warranty. It may represent the result of OMRON's test conditions, and the users must correlate it to actual application requirements. Actual performance is subject to the OMRON Warranty and Limitations of Liability.

ERRORS AND OMISSIONS

The information in this document has been carefully checked and is believed to be accurate; however, no responsibility is assumed for clerical, typographical, or proofreading errors, or omissions.

2008.11

In the interest of product improvement, specifications are subject to change without notice.

OMRON Corporation
Industrial Automation Company

<http://www.ia.omron.com/>

(c)Copyright OMRON Corporation 2008 All Right Reserved.

Компания «Океан Электроники» предлагает заключение долгосрочных отношений при поставках импортных электронных компонентов на взаимовыгодных условиях!

Наши преимущества:

- Поставка оригинальных импортных электронных компонентов напрямую с производств Америки, Европы и Азии, а так же с крупнейших складов мира;
- Широкая линейка поставок активных и пассивных импортных электронных компонентов (более 30 млн. наименований);
- Поставка сложных, дефицитных, либо снятых с производства позиций;
- Оперативные сроки поставки под заказ (от 5 рабочих дней);
- Экспресс доставка в любую точку России;
- Помощь Конструкторского Отдела и консультации квалифицированных инженеров;
- Техническая поддержка проекта, помощь в подборе аналогов, поставка прототипов;
- Поставка электронных компонентов под контролем ВП;
- Система менеджмента качества сертифицирована по Международному стандарту ISO 9001;
- При необходимости вся продукция военного и аэрокосмического назначения проходит испытания и сертификацию в лаборатории (по согласованию с заказчиком);
- Поставка специализированных компонентов военного и аэрокосмического уровня качества (Xilinx, Altera, Analog Devices, Intersil, Interpoint, Microsemi, Actel, Aeroflex, Peregrine, VPT, Syfer, Eurofarad, Texas Instruments, MS Kennedy, Miteq, Cobham, E2V, MA-COM, Hittite, Mini-Circuits, General Dynamics и др.);

Компания «Океан Электроники» является официальным дистрибьютором и эксклюзивным представителем в России одного из крупнейших производителей разъемов военного и аэрокосмического назначения «JONHON», а так же официальным дистрибьютором и эксклюзивным представителем в России производителя высокотехнологичных и надежных решений для передачи СВЧ сигналов «FORSTAR».



JONHON

«JONHON» (основан в 1970 г.)

Разъемы специального, военного и аэрокосмического назначения:

(Применяются в военной, авиационной, аэрокосмической, морской, железнодорожной, горно- и нефтедобывающей отраслях промышленности)

«FORSTAR» (основан в 1998 г.)

ВЧ соединители, коаксиальные кабели, кабельные сборки и микроволновые компоненты:

(Применяются в телекоммуникациях гражданского и специального назначения, в средствах связи, РЛС, а так же военной, авиационной и аэрокосмической отраслях промышленности).



Телефон: 8 (812) 309-75-97 (многоканальный)

Факс: 8 (812) 320-03-32

Электронная почта: ocean@oceanchips.ru

Web: <http://oceanchips.ru/>

Адрес: 198099, г. Санкт-Петербург, ул. Калинина, д. 2, корп. 4, лит. А