

### FEATURES

- 5V Supply Voltage
- FOUT/PWMOUT Output Period: 40µs(25kHz)
  - RSET = 4.32MΩ
- PWMOUT Output Duty Cycle:
  - 75% for FDIV2:0 = 000
  - CPWM = 100pF
- PWMOUT Duty Cycle Reduction
  - 1MΩ Potentiometer
- Fully Assembled and Tested
- 2in x 2in 2-layer circuit board

### COMPONENT LIST

| DESIGNATION        | QTY | DESCRIPTION                 |
|--------------------|-----|-----------------------------|
| C1                 | 1   | 100pF ±10% capacitor (0805) |
| C2                 | 1   | 4.7µF ±10% capacitor (0805) |
| R2                 | 1   | 10MΩ ± 1% (0805)            |
| R1                 | 1   | 4.32MΩ ± 1% (0805)          |
| PWM_ADJ            | 1   | 1MΩ Potentiometer           |
| U1                 | 1   | TS3003                      |
| VDD,F_OUT, PWM_OUT | 3   | Test points                 |
| J1                 | 1   | Jumper                      |

### DESCRIPTION

The TS3003 is a single-supply, second-generation Touchstone Semi oscillator/timer fully specified to operate at a supply voltage range of 1.55V to 5.25V while consuming less than 2.4µA(max) supply current. Requiring only a resistor to set the base output frequency (or output period) at 25kHz (or 40µs) with a 50% duty cycle, the TS3003 timer/oscillator is compact, easy-to-use, and versatile. Optimized for ultra-long life, low frequency, battery-powered/portable applications, TS3003 joins the TS3001, TS3002, TS3004, and TS3006 in Touchstone's CMOS timer family in its "NanoWatt Analog™" series of high-performance analog integrated circuits.

The TS3003 requires only an RSET = 4.32MΩ resistor to set the FOUT/PWMOUT output period to 40µs(25kHz). With an on-board 100pF CPWM capacitor, the duty cycle of PWMOUT is set at approximately 75%. Further reduction of the duty cycle is available with an on-board 1MΩ potentiometer. The complete circuit is designed at a supply voltage of 5V. The TS3003 is fully specified over the -40°C to +85°C temperature range and is available in a low-profile, 10-pin 3x3mm TDFN package with an exposed back-side paddle.

Product datasheet and additional documentation can be found on the factory web site at [www.touchstonesemi.com](http://www.touchstonesemi.com).

### ORDERING INFORMATION

| Order Number | Description       |
|--------------|-------------------|
| TS3003DB     | TS3003 Demo Board |

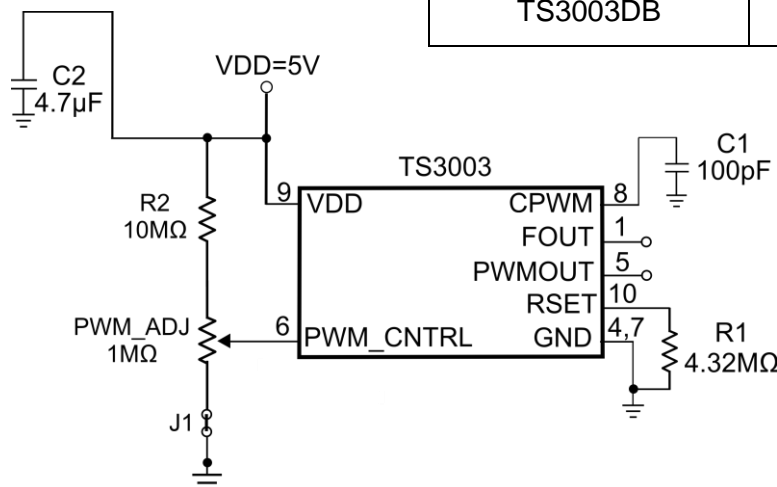


Figure 1. TS3003 Demo Board Circuit

## DESCRIPTION

The TS3003 requires only an  $R_{SET} = 4.32M\Omega$  resistor to set the FOUT/PWMOUT output period to  $40\mu s$  (25kHz). With an on-board 100pF CPWM capacitor, the duty cycle of PWMOUT is set at approximately 75%. Further reduction of the duty cycle is available with an on-board 1M $\Omega$  potentiometer. The complete circuit is designed at a supply voltage of 5V and it is shown in Figure 1.

The TS3003 is a user-programmable oscillator where the period of the square wave at its FOUT terminal is generated by an external resistor connected to the RSET pin. The output period is given by:

$$FOUT \text{ (kHz)} = \frac{1.08E11}{R_{SET}}$$

**Equation 1.** FOUT Frequency Calculation

With  $R_{SET} = 4.32M\Omega$ , the FOUT period is approximately  $40\mu s$  (25kHz) with a 50% duty cycle. As design aids, Table 1 lists TS3003's typical FOUT frequency for various standard values for  $R_{SET}$ .

| $R_{SET}$ (M $\Omega$ ) | FOUT (kHz) |
|-------------------------|------------|
| 0.360                   | 300        |
| 1                       | 108        |
| 2.49                    | 43.37      |
| 4.32                    | 25         |
| 6.81                    | 15.86      |
| 9.76                    | 11.07      |
| 12                      | 9          |

**Table 1:** FOUT vs  $R_{SET}$

The TS3003 also provides a separate PWM output signal at its PWMOUT terminal that is anti-phase with respect to FOUT. To adjust the pulse width of the PWMOUT output, a single capacitor can be placed at the CPWM pin. To determine the capacitance needed for a desired pulse width, the following equation is to be used:

$$CPWM(F) = \frac{\text{Pulse Width(s)} \times I_{CPWM}}{V_{CPWM} \cong 300mV}$$

**Equation 2.** CPWM Capacitor Calculation

where  $I_{CPWM}$  and  $V_{CPWM}$  is the current supplied and voltage applied to the CPWM capacitor, respectively.

The pulse width is determined based on the period of FOUT and should never be greater than the period at FOUT. Make sure the PWM\_CNTRL pin is set to at least 400mV when calculating the pulse width of PWMOUT. Note  $V_{CPWM}$  is approximately 300mV, which is the RSET voltage. Also note that  $I_{CPWM}$  is approximately 1 $\mu A$ .

## QUICK START PROCEDURE

### Required Equipment

- TS3003 Demo Board
- DC Power Supply
- Oscilloscope Model Agilent DSO1014A or equivalent
- Two 10X, 15pF//10M $\Omega$  oscilloscope probes
- Potentiometer screwdriver

To evaluate the TS3003 silicon timer, the following steps are to be performed:

- 1) Before connecting the DC power supply to the demo board, turn on the power supply, set the DC voltage to 5V, and then turn it off.
- 2) Connect the DC power supply positive terminal to the test point labeled VDD. Connect the negative terminal of the DC power supply to the test point labeled GND.
- 3) To monitor the FOUT output signal, connect the signal terminal of an oscilloscope probe to the test point labeled FOUT and the ground terminal to the test point labeled GND.
- 4) To monitor the PWMOUT output signal, connect the signal terminal of a second oscilloscope probe to the test point labeled PWM\_OUT and the ground terminal to the test point labeled GND.
- 5) Select two channels on the oscilloscope and set the vertical voltage scale and the vertical position on each channel to 2V/DIV and 0V, respectively. Set the horizontal time scale to 5 $\mu s$ /DIV. The coupling should be DC coupling. Turn on the power supply.

The supply current will vary depending on the load on the output. Given the default set-up on the board, the FOUT/PWMOUT output period is approximately  $40\mu s$ . The PWMOUT duty cycle is set to approximately 75%. With an output load of

15pF on both FOUT and PWMOUT outputs due to the oscilloscope probes, the supply current should be less than 8 $\mu$ A.

- 6) If further reduction of the duty cycle of the PWMOUT output is desired, turn the potentiometer clockwise. If jumper J1 is removed, the PWM\_CNTRL pin is tied to VDD and the potentiometer will not change the PWMOUT output duty cycle.

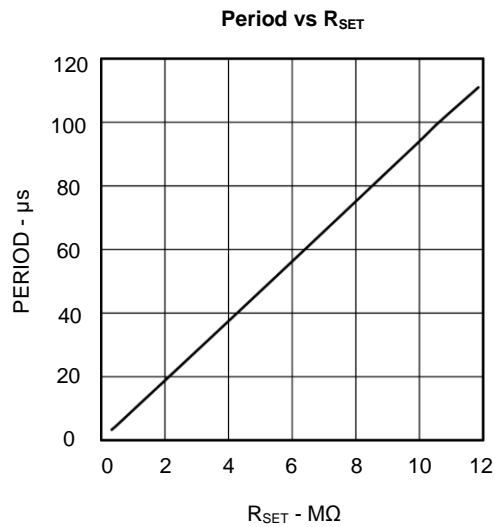


Figure 2. FOUT/PWMOUT Period vs R<sub>SET</sub>

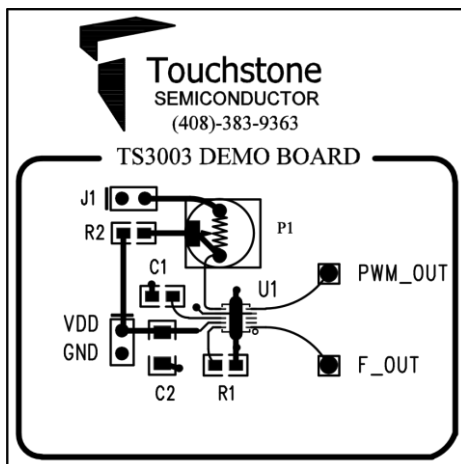


Figure 3. Top Layer View #1

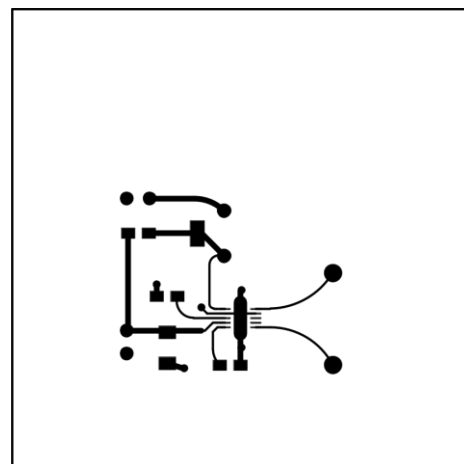


Figure 4. Top Layer View #2

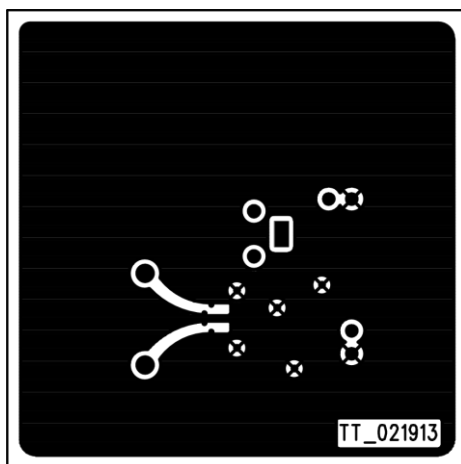


Figure 5. Bottom Layer (GND) #1

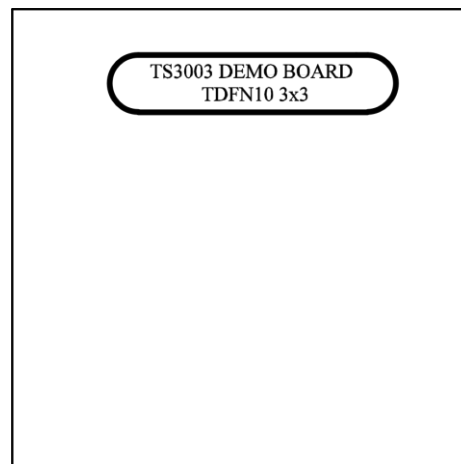


Figure 6. Bottom Layer (GND) #2

Компания «Океан Электроники» предлагает заключение долгосрочных отношений при поставках импортных электронных компонентов на взаимовыгодных условиях!

Наши преимущества:

- Поставка оригинальных импортных электронных компонентов напрямую с производств Америки, Европы и Азии, а так же с крупнейших складов мира;
- Широкая линейка поставок активных и пассивных импортных электронных компонентов (более 30 млн. наименований);
- Поставка сложных, дефицитных, либо снятых с производства позиций;
- Оперативные сроки поставки под заказ (от 5 рабочих дней);
- Экспресс доставка в любую точку России;
- Помощь Конструкторского Отдела и консультации квалифицированных инженеров;
- Техническая поддержка проекта, помощь в подборе аналогов, поставка прототипов;
- Поставка электронных компонентов под контролем ВП;
- Система менеджмента качества сертифицирована по Международному стандарту ISO 9001;
- При необходимости вся продукция военного и аэрокосмического назначения проходит испытания и сертификацию в лаборатории (по согласованию с заказчиком);
- Поставка специализированных компонентов военного и аэрокосмического уровня качества (Xilinx, Altera, Analog Devices, Intersil, Interpoint, Microsemi, Actel, Aeroflex, Peregrine, VPT, Syfer, Eurofarad, Texas Instruments, MS Kennedy, Miteq, Cobham, E2V, MA-COM, Hittite, Mini-Circuits, General Dynamics и др.);

Компания «Океан Электроники» является официальным дистрибьютором и эксклюзивным представителем в России одного из крупнейших производителей разъемов военного и аэрокосмического назначения «JONHON», а так же официальным дистрибьютором и эксклюзивным представителем в России производителя высокотехнологичных и надежных решений для передачи СВЧ сигналов «FORSTAR».



## JONHON

«JONHON» (основан в 1970 г.)

Разъемы специального, военного и аэрокосмического назначения:

(Применяются в военной, авиационной, аэрокосмической, морской, железнодорожной, горно- и нефтедобывающей отраслях промышленности)

«FORSTAR» (основан в 1998 г.)

ВЧ соединители, коаксиальные кабели, кабельные сборки и микроволновые компоненты:

(Применяются в телекоммуникациях гражданского и специального назначения, в средствах связи, РЛС, а так же военной, авиационной и аэрокосмической отраслях промышленности).



Телефон: 8 (812) 309-75-97 (многоканальный)

Факс: 8 (812) 320-03-32

Электронная почта: [ocean@oceanchips.ru](mailto:ocean@oceanchips.ru)

Web: <http://oceanchips.ru/>

Адрес: 198099, г. Санкт-Петербург, ул. Калинина, д. 2, корп. 4, лит. А