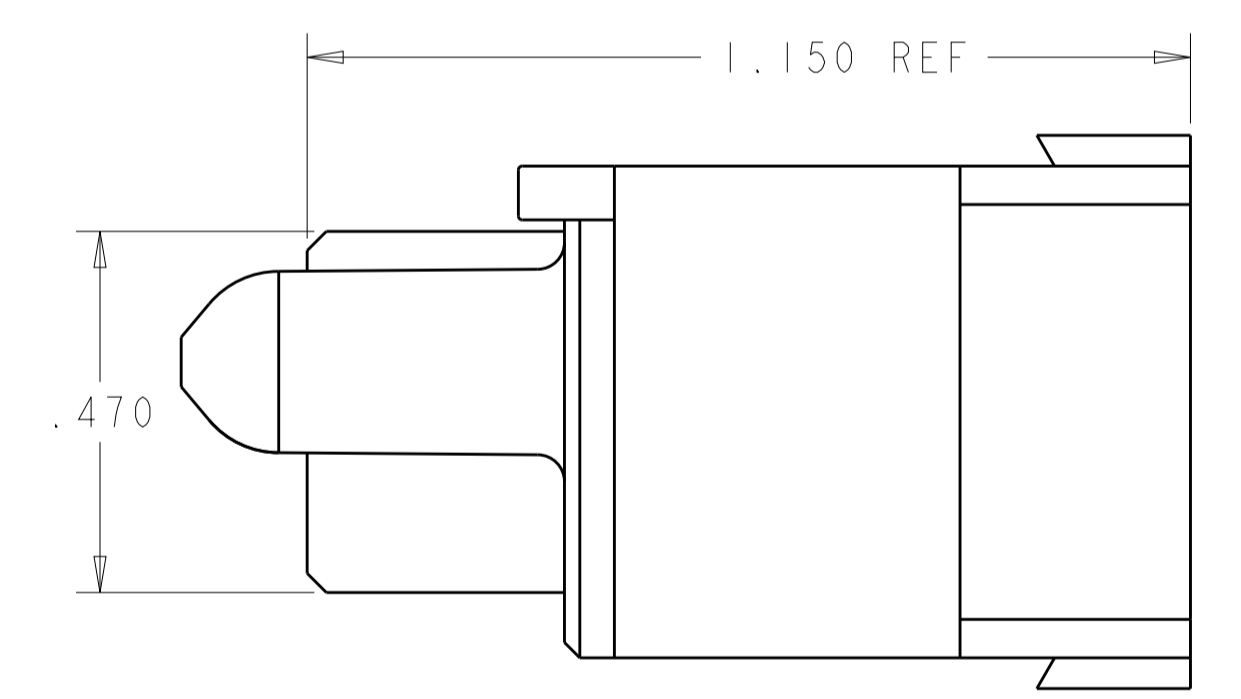
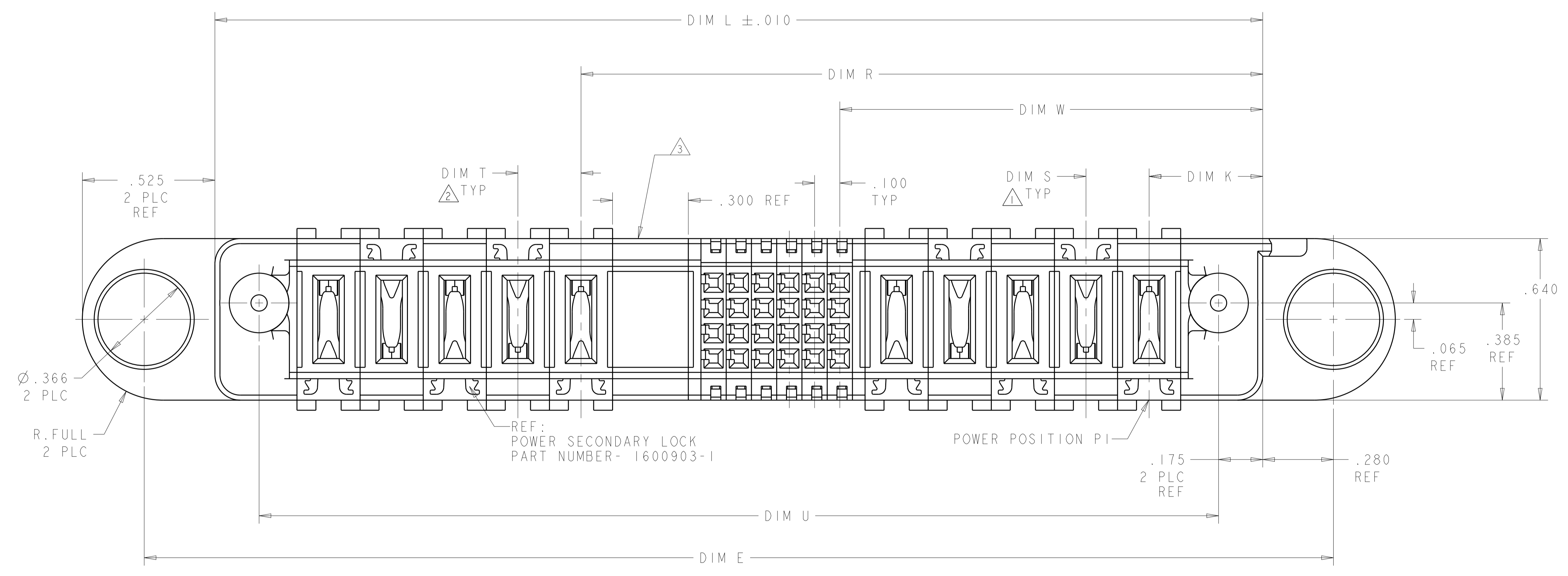
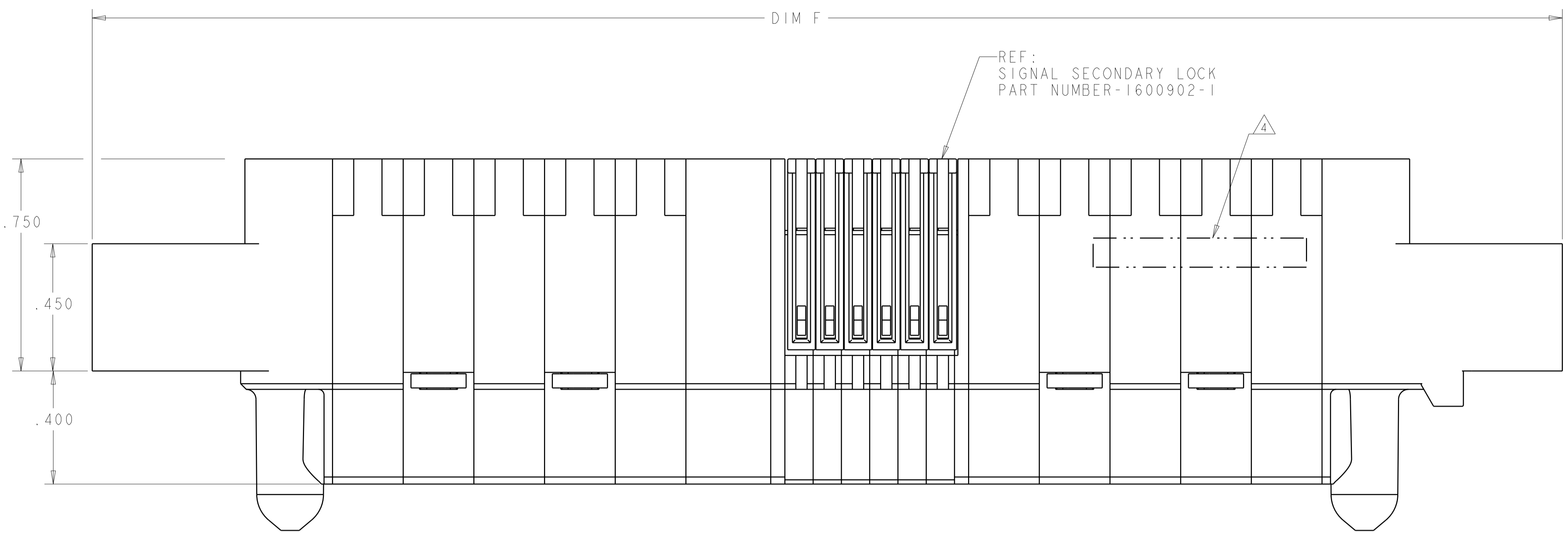
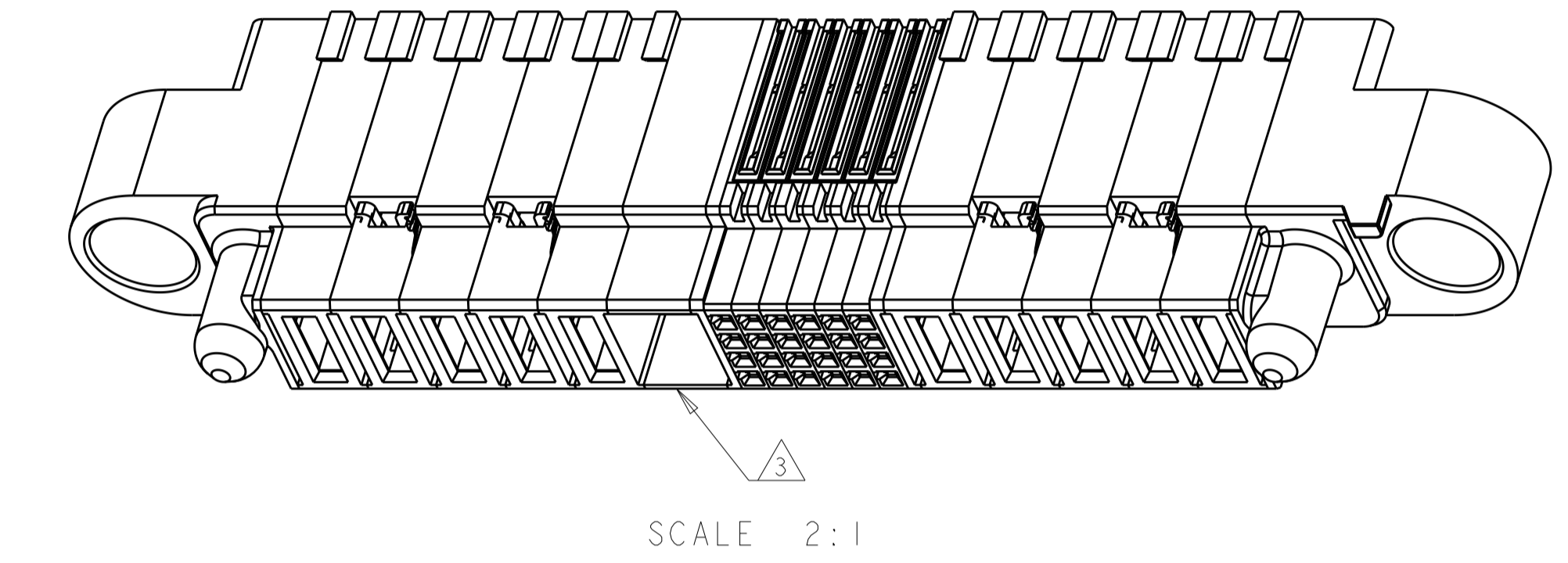
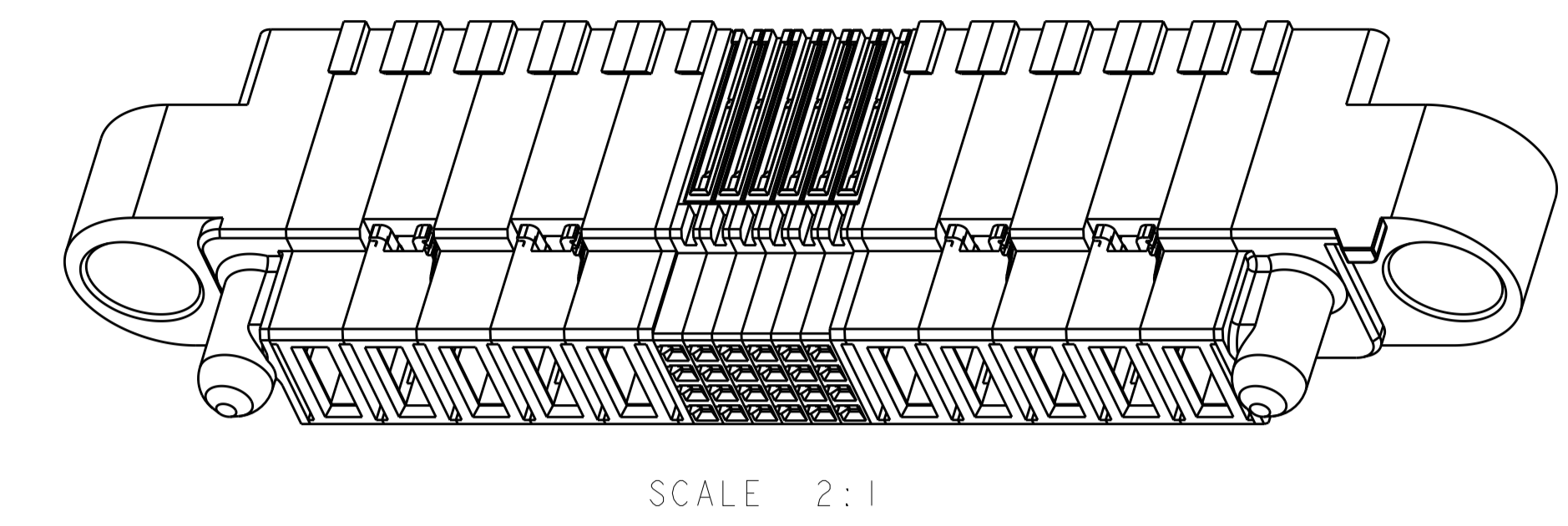
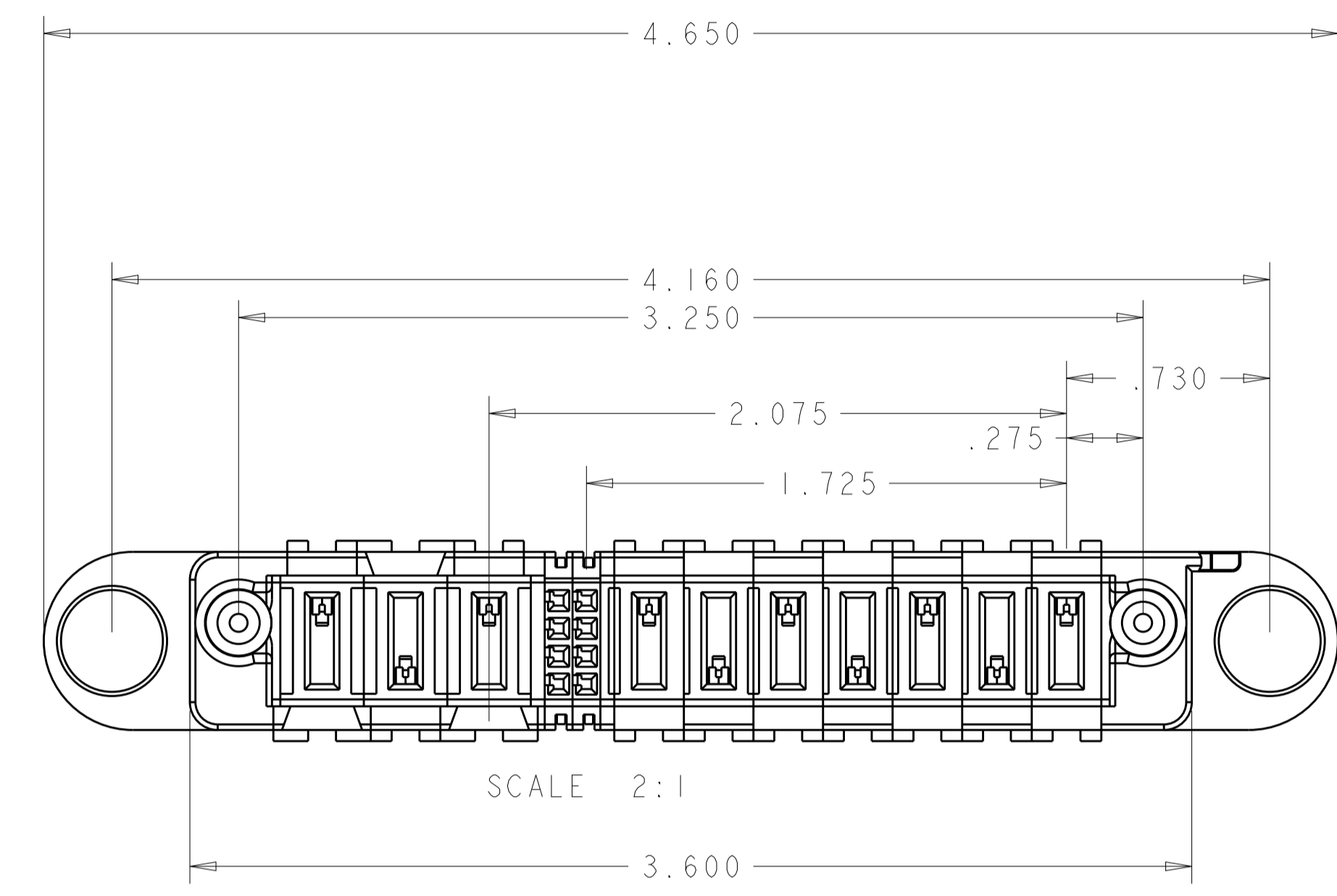


REVISIONS				
P.	LTM	DESCRIPTION	DATE	APVD
M4		ADD NEW DASH NUMBER 3-9	22JAN2016	CZ SZ
M5		REVISED 3-9	28JAN2016	CZ SZ
M6		ADDED NEW DASH NUMBER 4-0	01MAR2016	CZ SZ



THIS DRAWING IS A CONTROLLED DOCUMENT.		DWN D. RINGLER 28JUL2003	TE Connectivity
DIMENSIONS:		CHK M. CORRELL 28JUL2003	
mm	TOLERANCES UNLESS OTHERWISE SPECIFIED:	APVD	NAME
0 PLC ± 1 PLC ± 2 PLC ± 3 PLC ±.005 4 PLC ±.0020 ANGLES ±.0020	FINISH	PRODUCT SPEC 108-2157	PANEL MOUNT CABLE RECEPTACLE HOUSING WITH GUIDES MULTI-BEAM XL
MATERIAL TBD		APPLICATION SPEC 114-13112	SIZE A1
		WEIGHT	CAGE CODE C=1600636
		CUSTOMER DRAWING	RESTRICTED TO
		SCALE 4:1	SHEET 1 OF 5
			REV M5

REVISIONS				
P	LTN	DESCRIPTION	DATE	APVD



- ① DIM S IS CENTERLINE SPACING OF POWER MODULES ON RIGHT SIDE OF HOUSING.
- ② DIM T IS CENTERLINE SPACING OF POWER MODULES ON LEFT SIDE OF HOUSING.
- ③ OPTIONAL CENTER MODULE.
- ④ COMPANY TRADEMARK, PART NUMBER, AND DATE CODE TO BE MARKED IN AREA SHOWN PARTS UNDER 2.00 LONG MAY BE MARKED ON BOTH SIDES.
- ⑤ MATERIAL: THERMO PLASTIC, UL94 V-0.
- ⑥ DATUM LOCATIONS AND BASIC DIMENSIONS TO BE ESTABLISHED BY THE CUSTOMER.
- ⑦ BULKHEAD THICKNESS RANGE: .031 - .100
- ⑧ CONNECTOR MATED TO PANEL FROM OPPOSITE SIDE.
- ⑨ NO BURRS ALLOWED ON OPPOSITE (MATING) SIDE.
- ⑩ CONNECTOR KEEP OUT ZONE.
- ⑪ MOUNT CONNECTOR WITH TYCO HARDWARE KIT (SEE TABLE) FOR .050 [1.27mm] MIN RADIAL FLOAT.
- ⑫ VARIABLE DIMENSIONS SHOWN ON VIEW (SHEET 3).
- ⑬ NOT RELEASE FOR PRODUCTION
- 14. HARDWARE KIT P/N SOLD SEPARATELY

1600914-1	NO	2.375	4.300	.300	.250	3.575	4.650	.450	5.700	5.210	8P + 44S + 3ACP	4-1600636-0
1600914-1	NO	.625	1.200	-	-	1.000	1.450	.450	2.500	2.010	1P + 12S + 1P	3-1600636-9
1600914-1	NO	1.425	2.500	.250	.250	2.150	2.850	.450	3.900	3.410	4P + 24S + 2P	3-1600636-8
1600914-1	NO	.675	1.700	-	-	1.600	2.050	.450	3.100	2.610	1P + 32S + 1P	3-1600636-7
1600914-1	NO	.875	1.700	.250	.250	1.350	2.050	.450	3.100	2.610	2P + 16S + 2P	3-1600636-6
1600914-1	NO	.675	1.100	-	-	1.000	1.450	.450	2.500	2.010	1P + 8S + 1P	3-1600636-5
1600914-1	NO	1.325	3.000	.250	.300	1.650	3.350	.475	4.400	3.910	3ACP + 8S + 6P	3-1600636-4
1600000-1	NO	1.325	3.000	.300	.300	2.275	3.350	.475	4.400	3.910	3ACP + 32S + 3ACP	3-1600636-3
1600914-1	NO	1.725	3.250	.300	.250	2.075	3.600	.450	4.650	4.160	7P + 8S + 3ACP	2-1600636-9
1600914-1	NO	1.025	1.800	.300	.300	1.375	2.150	.475	3.200	2.710	2ACP + 8S + 2ACP	2-1600636-8
1600914-1	NO	1.325	3.250	.250	.300	1.650	3.600	.475	4.650	4.160	3ACP + 8S + 7P	2-1600636-7
1600000-1	NO	1.325	3.000	.300	.300	2.275	3.350	.475	4.400	3.910	3ACP + 32S + 3ACP	2-1600636-6
1600000-1	NO	1.025	2.200	.300	.300	1.775	2.550	.475	3.600	3.110	2ACP + 24S + 2ACP	2-1600636-5
⑬ 1600914-1	NO	1.175	2.300	.250	.250	1.700	2.650	.450	3.700	3.210	3P + 16S + 3P	2-1600636-4
⑬ 1600914-3	NO	2.225	4.800	.250	.300	2.950	5.150	.475	6.200	5.710	6ACP + 24S + 8P	2-1600636-3
⑬ 1600914-1	NO	1.425	3.200	.250	.250	2.350	3.550	.450	4.600	4.110	4P + 32S + 4P	2-1600636-2
1600914-1	NO	1.925	3.400	.300	.250	2.675	3.750	.450	4.800	4.310	6P + 24S + 3ACP	2-1600636-1
1600914-1	NO	.725	2.500	-	-	2.375	2.850	.475	3.900	3.410	1P + 60S + 1P	2-1600636-0
1600914-1	NO	1.875	3.450	⑫	⑫	2.775	3.800	.425	4.850	4.380	6P + 32S + 3 ACP	1-1600636-8
1600914-1	NO	1.925	2.600	.250	.250	2.250	2.950	.450	4.000	3.510	6P + 8S + 2P	1-1600636-7
1600914-3	NO	2.175	5.100	.250	.250	3.500	5.450	.450	6.500	6.010	7P + 48S + 7P	1-1600636-6
1600914-1	NO	1.425	3.000	.250	.250	2.150	3.350	.450	4.400	3.910	4P + 24S + 4P	1-1600636-5
1600914-1	NO	1.325	2.800	.300	.300	2.075	3.150	.475	4.200	3.710	3ACP + 24S + 3ACP	1-1600636-4
1600914-1	NO	.675	1.300	-	-	1.200	1.650	.450	2.700	2.210	1P + 16S + 1P	1-1600636-3
1600914-1	NO	1.425	3.000	.250	.250	2.150	3.350	.450	4.400	3.910	4P + 24S + 4P	1-1600636-2
1600914-1	NO	.700	1.575	-	-	1.425	1.925	.475	2.975	2.485	1P + 24S + 1P	1-1600636-1
1600914-1	NO	.925	1.800	.250	.250	1.450	2.150	.450	3.200	2.710	2P + 16S + 2P	1-1600636-0
1600914-1	NO	.700	1.575	-	-	1.425	1.925	.475	2.975	2.485	1P + 24S + 1P	1600636-9
1600914-1	NO	1.175	2.300	.250	.250	1.700	2.650	.450	3.700	3.210	3P + 16S + 3P	1600636-8
1600914-1	NO	1.425	2.500	.250	.250	2.150	2.850	.450	3.900	3.410	4P + 24S + 2P	1600636-7
1600914-3	NO	1.625	5.200	.250	.300	2.350	5.550	.475	6.600	6.110	4ACP + 24S + 12P	1600636-6
1600914-1	NO	1.425	3.000	.250	.250	2.150	3.350	.450	4.400	3.910	4P + 24S + 4P	1600636-5
1600914-1	NO	.925	2.500	.250	.250	2.150	2.850	.450	3.900	3.410	2P + 44S + 2P	1600636-4
1600914-1	NO	.750	1.675	-	-	1.525	2.025	.475	3.075	2.585	1P + 24S + 1P	1600636-3
1600914-1	NO	.925	2.000	.250	.250	1.650	2.350	.450	3.400	2.910	2P + 24S + 2P	1600636-2
1600914-3	NO	1.925	4.000	.300	.300	2.675	4.350	.475	5.400	4.910	5ACP + 24S + 5ACP	1600636-1
KIT P/N	⑬ CENTER MODULE	DIM W	DIM U	DIM T	DIM S	DIM R	DIM L	DIM K	DIM F	DIM E	DESCRIPTION	PART NUMBER

OBSOLETE

THIS DRAWING IS A CONTROLLED DOCUMENT.

DIMENSIONS:	TOLERANCES UNLESS OTHERWISE SPECIFIED:	DATE: 28 JUL 2003	REV: 5
mm	0 PLC ±.1	BY: M. CORRELL	DATE: 28 JUL 2003
	1 PLC ±.15	NAME: M. CORRELL	
	2 PLC ±.2	PRODUCT SPEC: 108-2157	
	3 PLC ±.005	APPLICATION SPEC: 114-13112	
	4 PLC ±.0020	SIZE: A1	
MATERIAL: TBD	FINISH:	WEIGHT:	SCALE: 4:1
		CUSTOMER DRAWING	SHEET 5 OF 5

STE TE Connectivity
 PANEL MOUNT CABLE RECEPTACLE HOUSING WITH GUIDES MULTI-BEAM XL
 CAGE CODE: 1600636
 SCALE: 4:1 SHEET 5 OF 5 REV: 5

PART NUMBER	ROWS	POWER (L)					SIGNAL					POWER (R)					
		P10	P9	P8	P7	P6	6	5	4	3	2	1	P5	P4	P3	P2	P1
1600636-1	D C B A	RM	RM	RM	RM	RM	E	E	E	E	E	E	RA	RA	RA	RA	RA
		RM	RM	RM	RM	RM	E	E	E	E	E	E	RA	RA	RA	RA	RA
		RM	RM	RM	RM	RM	E	E	E	E	E	E	RA	RA	RA	RA	RA
		RM	RM	RM	RM	RM	E	E	E	E	E	E	RA	RA	RA	RA	RA
5ACP + 24S + 5ACP																	

PART NUMBER	ROWS	POWER (L)			SIGNAL				POWER (R)		
		P6	P5	P4	4	3	2	1	P3	P2	P1
1600636-8	D C B A	RA	RA	RA	E	E	E	E	RM	RM	RM
		RA	RA	RA	E	E	E	E	RM	RM	RM
		RA	RA	RA	E	E	E	E	RM	RM	RM
		RA	RA	RA	E	E	E	E	RM	RM	RM
3P + 16S + 3P											

PART NUMBER	ROWS	POWER (L)		SIGNAL						POWER (R)	
		P4	P3	6	5	4	3	2	1	P2	P1
1600636-2	D C B A	RM	RM	E	E	E	E	E	E	RA	RA
		RM	RM	E	E	E	E	E	E	RA	RA
		RM	RM	E	E	E	E	E	E	RA	RA
		RM	RM	E	E	E	E	E	E	RA	RA
2P + 24S + 2P											

PART NUMBER	ROWS	POWER (L)	SIGNAL						POWER (R)
		P2	6	5	4	3	2	1	P1
1600636-9	D C B A	RA	E	E	E	E	E	E	RM
		RA	E	E	E	E	E	E	RM
		RA	E	E	E	E	E	E	RM
		RA	E	E	E	E	E	E	RM
1P + 24S + 1P									

PART NUMBER	ROWS	POWER (L)	SIGNAL						POWER (R)
		P2	6	5	4	3	2	1	P1
1600636-3	D C B A	RA	E	E	E	E	E	E	RA
		RA	E	E	E	E	E	E	RA
		RA	E	E	E	E	E	E	RA
		RA	E	E	E	E	E	E	RA
1P + 24S + 1P									

PART NUMBER	ROWS	POWER (L)		SIGNAL				POWER (R)	
		P4	P3	4	3	2	1	P2	P1
1-1600636-0	D C B A	RA	RA	E	E	E	E	RM	RM
		RA	RA	E	E	E	E	RM	RM
		RA	RA	E	E	E	E	RM	RM
		RA	RA	E	E	E	E	RM	RM
2P + 16S + 2P									

PART NUMBER	ROWS	POWER (L)		SIGNAL											POWER (R)	
		P4	P3	11	10	9	8	7	6	5	4	3	2	1	P2	P1
1600636-4	D C B A	RM	RA	E	E	E	E	E	E	E	E	E	E	E	RA	RM
		RM	RA	E	E	E	E	E	E	E	E	E	E	E	RA	RM
		RM	RA	E	E	E	E	E	E	E	E	E	E	E	RA	RM
		RM	RA	E	E	E	E	E	E	E	E	E	E	E	RA	RM
2P + 44S + 2P																

PART NUMBER	ROWS	POWER (L)	SIGNAL						POWER (R)
		P2	6	5	4	3	2	1	P1
1-1600636-1	D C B A	RM	E	E	E	E	E	E	RA
		RM	E	E	E	E	E	E	RA
		RM	E	E	E	E	E	E	RA
		RM	E	E	E	E	E	E	RA
1P + 24S + 1P									

PART NUMBER	ROWS	POWER (L)				SIGNAL						POWER (R)			
		P8	P7	P6	P5	6	5	4	3	2	1	P4	P3	P2	P1
1600636-5	D C B A	RM	RA	RM	RA	E	E	E	E	E	E	RM	RA	RM	RA
		RM	RA	RM	RA	E	E	E	E	E	E	RM	RA	RM	RA
		RM	RA	RM	RA	E	E	E	E	E	E	RM	RA	RM	RA
		RM	RA	RM	RA	E	E	E	E	E	E	RM	RA	RM	RA
4P + 24S + 4P															

PART NUMBER	ROWS	POWER (L)				SIGNAL						POWER (R)			
		P8	P7	P6	P5	6	5	4	3	2	1	P4	P3	P2	P1
1-1600636-2	D C B A	RM	RA	RM	RA	E	E	E	E	E	E	RM	RA	RM	RA
		RM	RA	RM	RA	E	E	E	E	E	E	RM	RA	RM	RA
		RM	RA	RM	RA	E	E	E	E	E	E	RM	RA	RM	RA
		RM	RA	RM	RA	E	E	E	E	E	E	RM	RA	RM	RA
4P + 24S + 4P															

PART NUMBER	ROWS	POWER (L)										SIGNAL						POWER (R)					
		P16	P15	P14	P13	P12	P11	P10	P9	P8	P7	P6	P5	6	5	4	3	2	1	P4	P3	P2	P1
1600636-6	D C B A	RA	RM	RA	RM	RA	RM	RA	RM	RA	RM	RA	RM	E	E	E	E	E	E	RA	RM	RA	RM
		RA	RM	RA	RM	RA	RM	RA	RM	RA	RM	RA	RM	E	E	E	E	E	E	RA	RM	RA	RM
		RA	RM	RA	RM	RA	RM	RA	RM	RA	RM	RA	RM	E	E	E	E	E	E	RA	RM	RA	RM
		RA	RM	RA	RM	RA	RM	RA	RM	RA	RM	RA	RM	E	E	E	E	E	E	RA	RM	RA	RM
4ACP + 24S + 12P																							

PART NUMBER	ROWS	P(L)	SIGNAL				P(R)
		P2	4	3	2	1	P1
1-1600636-3	D C B A	RA	E	E	E	E	RM
		RA	E	E	E	E	RM
		RA	E	E	E	E	RM
		RA	E	E	E	E	RM
1P + 16S + 1P							

PART NUMBER	ROWS	POWER (L)		SIGNAL						POWER (R)			
		P6	P5	6	5	4	3	2	1	P4	P3	P2	P1
1600636-7	D C B A	RA	RM	E	E	E	E	E	E	RM	RA	RM	RA
		RA	RM	E	E	E	E	E	E	RM	RA	RM	RA
		RA	RM	E	E	E	E	E	E	RM	RA	RM	RA
		RA	RM	E	E	E	E	E	E	RM	RA	RM	RA
4P + 24S + 2P													

PART NUMBER	ROWS	POWER (L)			SIGNAL						POWER (R)		
		P6	P5	P4	6	5	4	3	2	1	P3	P2	P1
1-1600636-4	D C B A	RM	RM	RM	E	E	E	E	E	E	RA	RA	RA
		RM	RM	RM	E	E	E	E	E	E	RA	RA	RA
		RM	RM	RM	E	E	E	E	E	E	RA	RA	RA
		RM	RM	RM	E	E	E	E	E	E	RA	RA	RA
3ACP + 24S + 3ACP													

RM	STANDARD POWER CONTACT
RA	MFBL POWER CONTACT
E	SIGNAL CONTACT
CODE	DESCRIPTION
CONTACT TABLE	

THIS DRAWING IS A CONTROLLED DOCUMENT.

DWG: D. RINGLER 28JUL2003
CHK: M. CORRELL 28JUL2003
APVD: _____

DIMENSIONS: mm
TOLERANCES UNLESS OTHERWISE SPECIFIED:
0 PLC ± .
1 PLC ± .
2 PLC ± .
3 PLC ± .005
4 PLC ± .0020
ANGLES ± .

MATERIAL: TBD
FINISH: _____

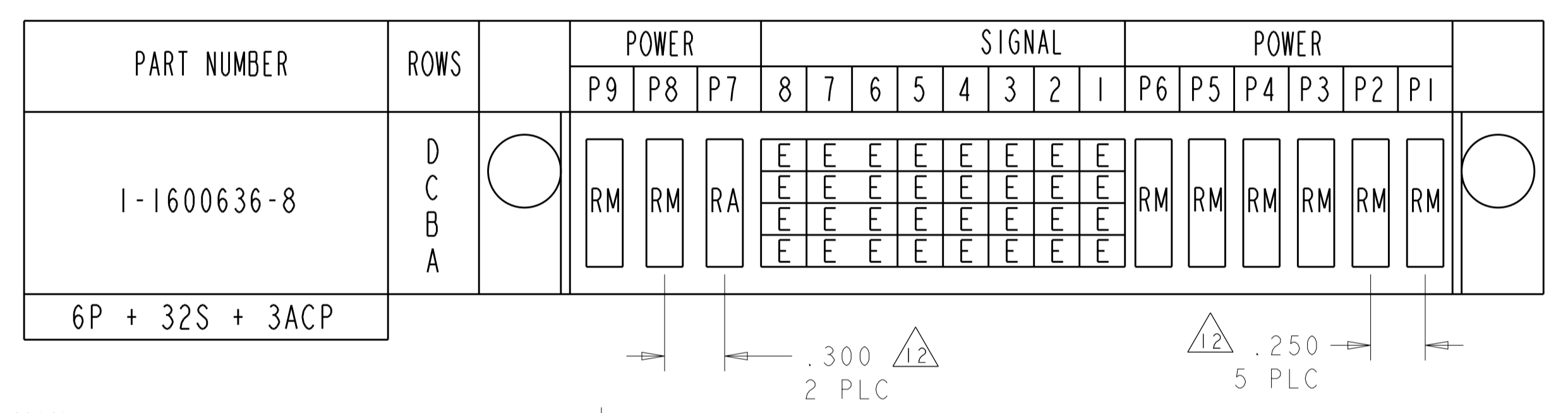
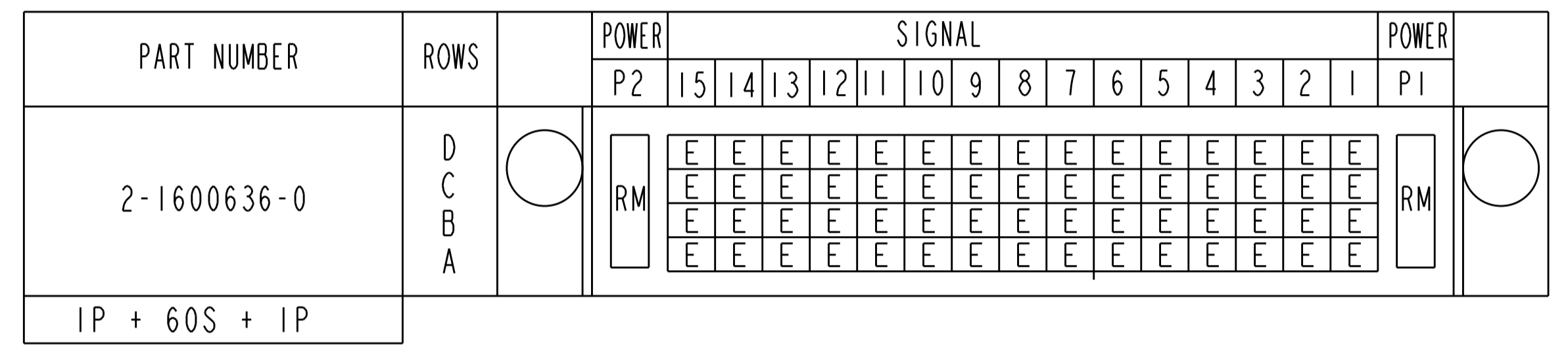
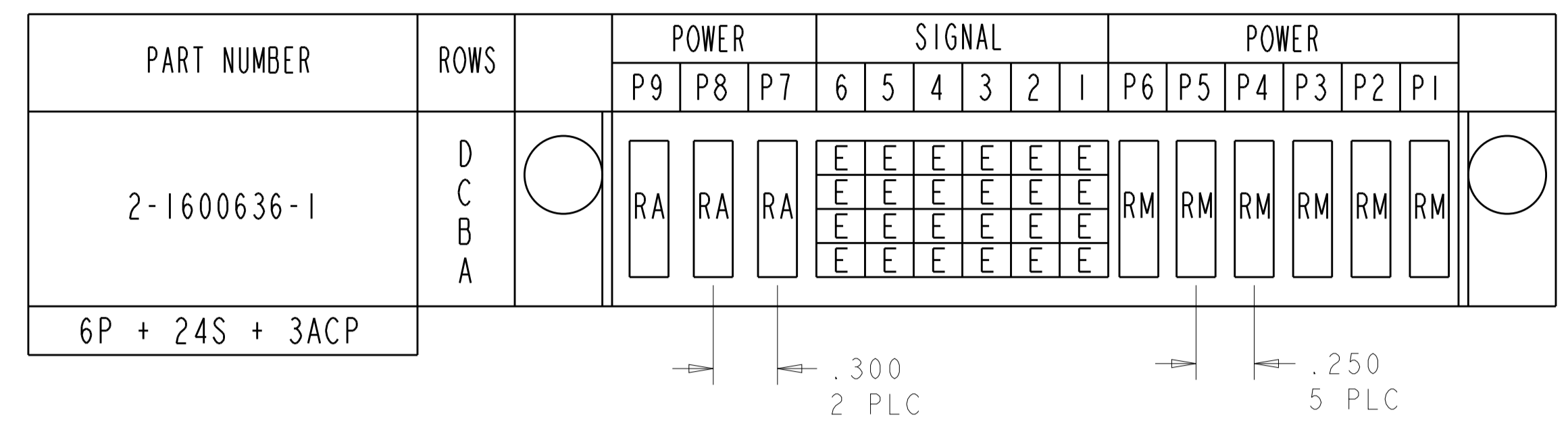
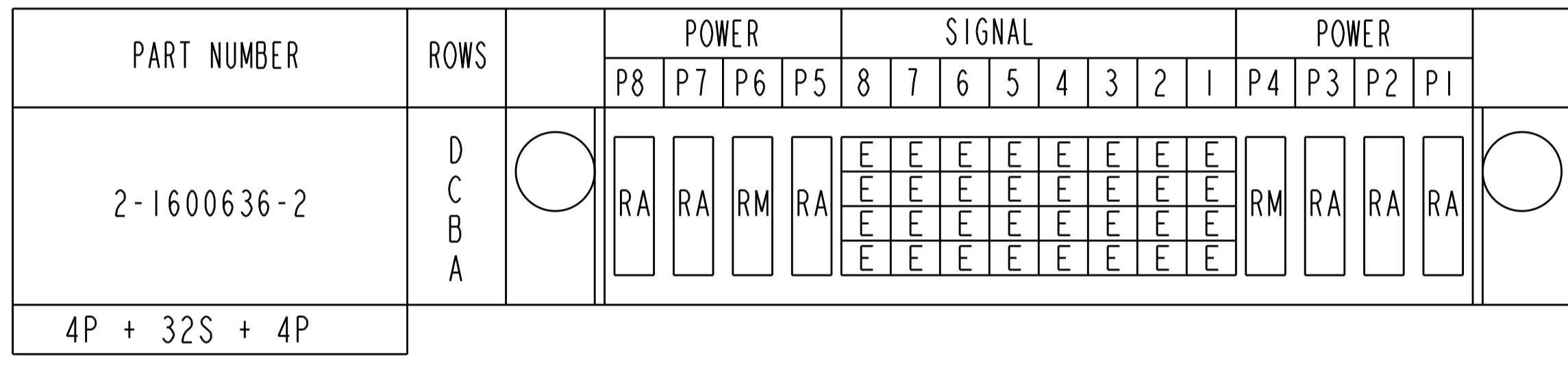
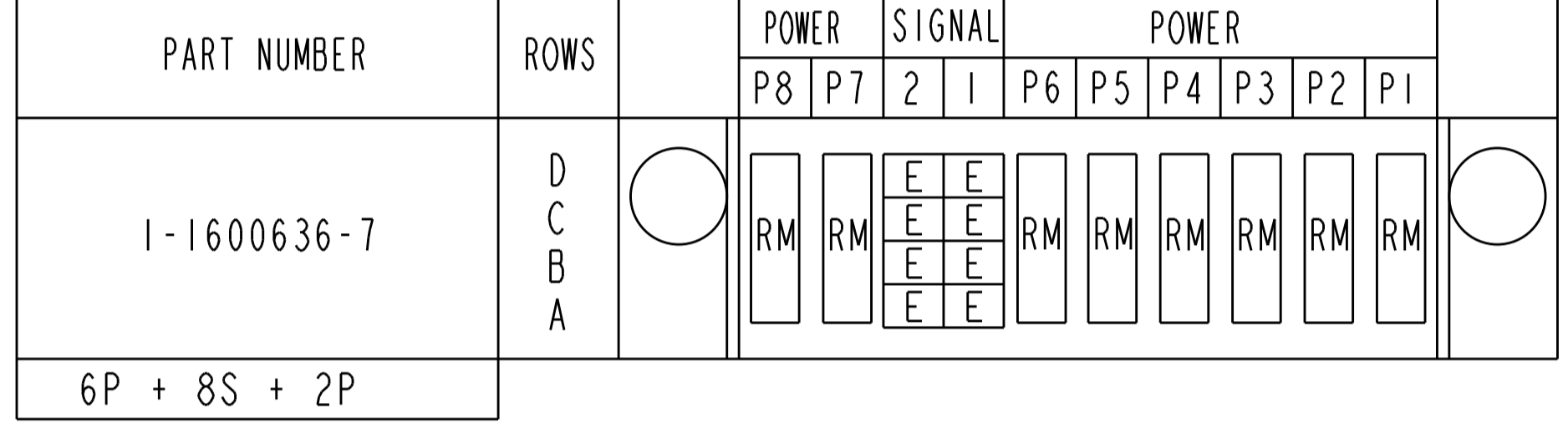
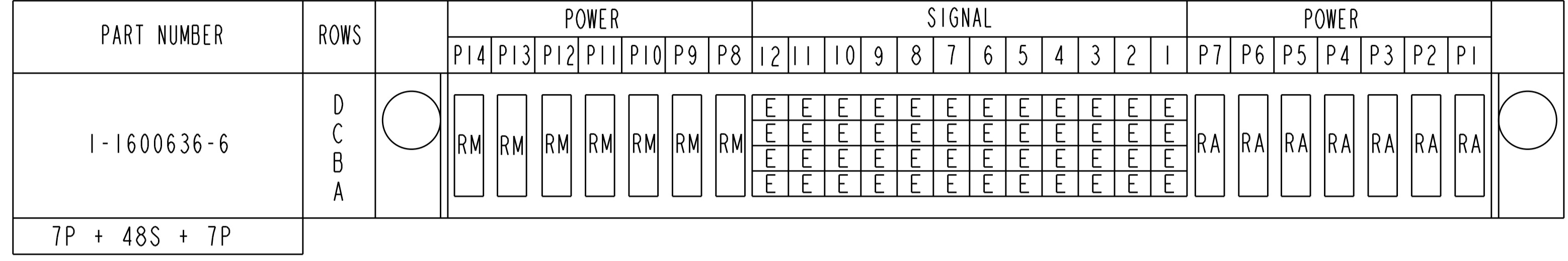
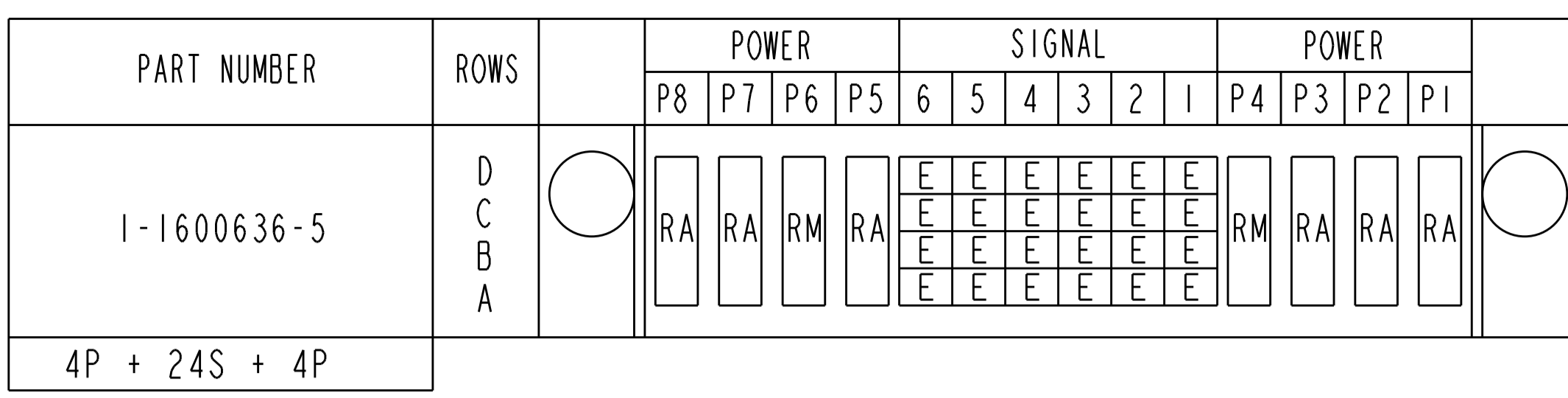
PRODUCT SPEC: 108-2157
APPLICATION SPEC: 114-13112
WEIGHT: _____

SCALE: 4:1 SHEET 1 OF 5 REV M5

CUSTOMER DRAWING

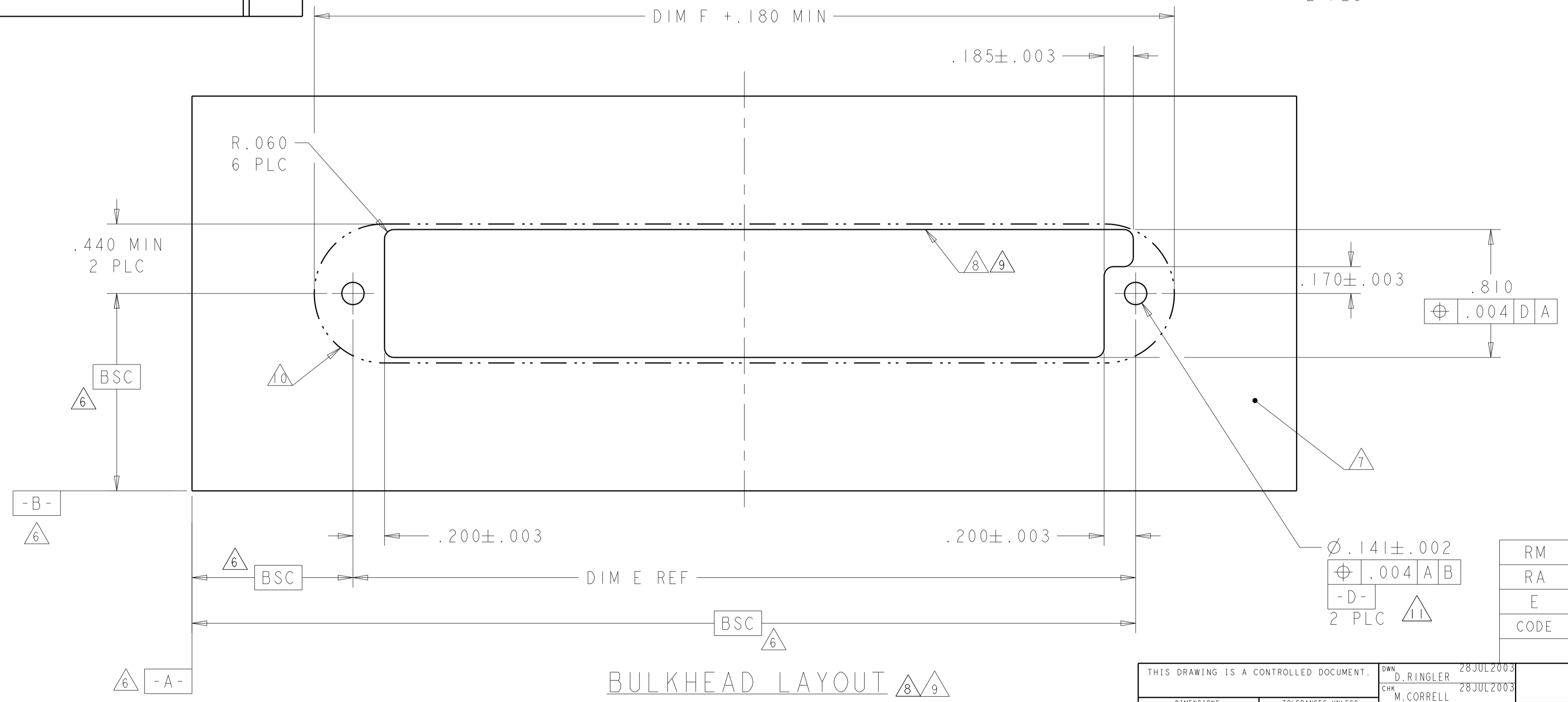
NAME: PANEL MOUNT CABLE RECEPTACLE HOUSING WITH GUIDES MULTI-BEAM XL
SIZE: A1
CAGE CODE: 1600636
RESTRICTED TO: _____

STE TE Connectivity



REFERENCE POWER WIRE CHART - RM & RA CONTACTS

HOUSING MODULE	CONTACT	INSULATION DIAMETER RANGE
.300	8-10 1600960 REF	[.176-.272]
.250	8-10 1600960 REF	[.176-.203]
	12-14 1600961 REF	[.156-.176]
.200	12-14 1600961 REF	[.120-.156]
.100	22-26 531216-5 REF	[.036-.069]



CODE	DESCRIPTION
RM	STANDARD POWER CONTACT
RA	MFBL POWER CONTACT
E	SIGNAL CONTACT
CONTACT TABLE	

THIS DRAWING IS A CONTROLLED DOCUMENT. DIMENSIONS: mm. TOLERANCES UNLESS OTHERWISE SPECIFIED: 0 PLC ± .005, 1 PLC ± .005, 2 PLC ± .005, 3 PLC ± .005, 4 PLC ± .002, ANGLES ± .002.

MATERIAL: TBD. FINISH: -.

APVD: M. CORRELL. DATE: 28JUL2003. CHK: D. RINGLER. DATE: 28JUL2003.

PRODUCT SPEC: 108-2157. APPLICATION SPEC: 114-13112. WEIGHT: -.

CUSTOMER DRAWING. SCALE: 4:1. SHEET 1 OF 5. REV M5.

STE TE Connectivity
PANEL MOUNT CABLE RECEPTACLE HOUSING WITH GUIDES MULTI-BEAM XL

PART NUMBER	ROWS	POWER								SIGNAL								POWER							
		P14	P13	P12	P11	P10	P9	P8	P7	6	5	4	3	2	1	P6	P5	P4	P3	P2	P1				
2-1600636-3	D C B A	RM	RA							E	E	E	E	E	E	RA		RM	RM	RM	RM				
6ACP + 24S + 8P																									

PART NUMBER	ROWS	POWER (L)		SIGNAL		POWER (R)	
		P4	P3	2	1	P2	P1
2-1600636-8	D C B A	RA	RA	E	E	RA	RA
2ACP + 8S + 2ACP							

NO CONTACTS LOADED

PART NUMBER	ROWS	POWER (L)			SIGNAL				POWER (R)		
		P6	P5	P4	4	3	2	1	P3	P2	P1
2-1600636-4	D C B A	RM	RM	RM	E	E	E	E	RM	RM	RM
3P + 16S + 3P											

PART NUMBER	ROWS	POWER			SIGNAL		POWER							
		P10	P9	P8	2	1	P7	P6	P5	P4	P3	P2	P1	
2-1600636-9	D C B A	RM	RM	RM	E	E	RM	RM	RM	RM	RM	RM	RM	
7P + 8S + 3ACP														

PART NUMBER	ROWS	POWER						SIGNAL		POWER		
		P9	P8	P7	P6	P5	P4	2	1	P3	P2	P1
3-1600636-4	D C B A	RM	RM	RM	RM	RM	RM	E	E	RM	RM	RM
3ACP + 8S + 6P												

PART NUMBER	ROWS	POWER (L)		SIGNAL						POWER (R)	
		P4	P3	6	5	4	3	2	1	P2	P1
2-1600636-5	D C B A	RA	RA	E	E	E	E	E	E	RA	RA
2ACP + 24S + 2ACP											

PART NUMBER	ROWS	POWER			SIGNAL								POWER		
		P6	P5	P4	8	7	6	5	4	3	2	1	P3	P2	P1
3-1600636-3	D C B A	RM	RM	RM	E	E	E	E	E	E	E	E	RA	RM	RM
3ACP + 32S + 3ACP															

PART NUMBER	ROWS	P(L)		SIGNAL		P(R)	
		P2	2	1	1	P1	1
3-1600636-5	D C B A	RM		E	E	RM	
1P + 8S + 1P							

PART NUMBER	ROWS	POWER			SIGNAL								POWER		
		P6	P5	P4	8	7	6	5	4	3	2	1	P3	P2	P1
2-1600636-6	D C B A	RA	RA	RA	E	E	E	E	E	E	E	E	RM	RM	RM
3ACP + 32S + 3ACP															

PART NUMBER	ROWS	POWER (L)		SIGNAL				POWER (R)	
		P4	P3	4	3	2	1	P2	P1
3-1600636-6	D C B A	RM	RA	E	E	E	E	RA	RM
2P + 16S + 2P									

PART NUMBER	ROWS	POWER						SIGNAL		POWER		
		P10	P9	P8	P7	P6	P5	P4	2	1	P3	P2
2-1600636-7	D C B A	RM	RM	RM	RM	RM	RM	E	E	RM	RM	RM
3ACP + 8S + 7P												

PART NUMBER	ROWS	POWER		SIGNAL								POWER	
		P2	8	7	6	5	4	3	2	1	P1	1	
3-1600636-7	D C B A	RM		E	E	E	E	E	E	E	E	RM	
1P + 32S + 1P													

PART NUMBER	ROWS	POWER (L)		SIGNAL						POWER (R)			
		P6	P5	6	5	4	3	2	1	P4	P3	P2	P1
3-1600636-8	D C B A	RM	RM	E	E	E	E	E	E	RM	RM	RM	RA
4P + 24S + 2P													

PART NUMBER	ROWS	POWER		SIGNAL			POWER	
		P2	3	2	1	1	P1	1
3-1600636-9	D C B A	RM		E	E	E	RM	
1P + 12S + 1P								

THIS DRAWING IS A CONTROLLED DOCUMENT.		DWN: D. RINGLER 28JUL2003 CHW: M. CORRELL 28JUL2003 APVD:	STE TE Connectivity		
DIMENSIONS:	TOLERANCES UNLESS OTHERWISE SPECIFIED:	PRODUCT SPEC APPLICATION SPEC SIZE: 114-13112 WEIGHT:	NAME: PANEL MOUNT CABLE RECEPTACLE HOUSING WITH GUIDES MULTI-BEAM XL CAGE CODE: 1600636 SCALE: 4:1 SHEET 1 OF 5 REV M5		
MATERIAL: TBD	FINISH:	CUSTOMER DRAWING	RESTRICTED TO		

THIS DRAWING IS UNPUBLISHED. RELEASED FOR PUBLICATION 20
 COPYRIGHT 20 BY - ALL RIGHTS RESERVED.

REVISIONS				
P	LTN	DESCRIPTION	DATE	APVD
-		SEE SHEET 1	-	-

PART NUMBER	ROWS		POWER			SIGNAL										POWER																
			P11	P10	P9	I1	I0	9	8	7	6	5	4	3	2	1	P8	P7	P6	P5	P4	P3		P2	P1							
4-1600636-0	D	○	RM	RM	RA	E	E	E	E	E	E	E	E	E	E	E	E	E	E	E	E	E	E	E	E	E	E		○			
	C					E	E	E	E	E	E	E	E	E	E	E	E	E	E	E	E	E	E	E	E	E	E	E		E		
	B					E	E	E	E	E	E	E	E	E	E	E	E	E	E	E	E	E	E	E	E	E	E	E		E	E	
	A					E	E	E	E	E	E	E	E	E	E	E	E	E	E	E	E	E	E	E	E	E	E	E		E	E	
8P + 44S + 3ACP																																

THIS DRAWING IS A CONTROLLED DOCUMENT.		DWN D. RINGLER 28JUL2003		TE Connectivity	
DIMENSIONS:		TOLERANCES UNLESS OTHERWISE SPECIFIED:		NAME	
mm		0 PLC ± 1 PLC ± 2 PLC ± 3 PLC ±.005 4 PLC ±.0020 ANGLES ±		D. RINGLER	
MATERIAL		FINISH		APVD	
TBD		-		M. CORRELL	
-		-		-	
		PRODUCT SPEC		SIZE	
		108-2157		A1	
		APPLICATION SPEC		CAGE CODE	
		114-13112		DRAWING NO	
		WEIGHT		DRAWING NO	
		-		1600636	
		CUSTOMER DRAWING		RESTRICTED TO	
				-	
		SCALE 4:1		SHEET 1 OF 5	
				REV M5	

Компания «Океан Электроники» предлагает заключение долгосрочных отношений при поставках импортных электронных компонентов на взаимовыгодных условиях!

Наши преимущества:

- Поставка оригинальных импортных электронных компонентов напрямую с производств Америки, Европы и Азии, а так же с крупнейших складов мира;
- Широкая линейка поставок активных и пассивных импортных электронных компонентов (более 30 млн. наименований);
- Поставка сложных, дефицитных, либо снятых с производства позиций;
- Оперативные сроки поставки под заказ (от 5 рабочих дней);
- Экспресс доставка в любую точку России;
- Помощь Конструкторского Отдела и консультации квалифицированных инженеров;
- Техническая поддержка проекта, помощь в подборе аналогов, поставка прототипов;
- Поставка электронных компонентов под контролем ВП;
- Система менеджмента качества сертифицирована по Международному стандарту ISO 9001;
- При необходимости вся продукция военного и аэрокосмического назначения проходит испытания и сертификацию в лаборатории (по согласованию с заказчиком);
- Поставка специализированных компонентов военного и аэрокосмического уровня качества (Xilinx, Altera, Analog Devices, Intersil, Interpoint, Microsemi, Actel, Aeroflex, Peregrine, VPT, Syfer, Eurofarad, Texas Instruments, MS Kennedy, Miteq, Cobham, E2V, MA-COM, Hittite, Mini-Circuits, General Dynamics и др.);

Компания «Океан Электроники» является официальным дистрибьютором и эксклюзивным представителем в России одного из крупнейших производителей разъемов военного и аэрокосмического назначения «JONHON», а так же официальным дистрибьютором и эксклюзивным представителем в России производителя высокотехнологичных и надежных решений для передачи СВЧ сигналов «FORSTAR».



JONHON

«JONHON» (основан в 1970 г.)

Разъемы специального, военного и аэрокосмического назначения:

(Применяются в военной, авиационной, аэрокосмической, морской, железнодорожной, горно- и нефтедобывающей отраслях промышленности)

«FORSTAR» (основан в 1998 г.)

ВЧ соединители, коаксиальные кабели, кабельные сборки и микроволновые компоненты:

(Применяются в телекоммуникациях гражданского и специального назначения, в средствах связи, РЛС, а так же военной, авиационной и аэрокосмической отраслях промышленности).



Телефон: 8 (812) 309-75-97 (многоканальный)

Факс: 8 (812) 320-03-32

Электронная почта: ocean@oceanchips.ru

Web: <http://oceanchips.ru/>

Адрес: 198099, г. Санкт-Петербург, ул. Калинина, д. 2, корп. 4, лит. А