

General Description

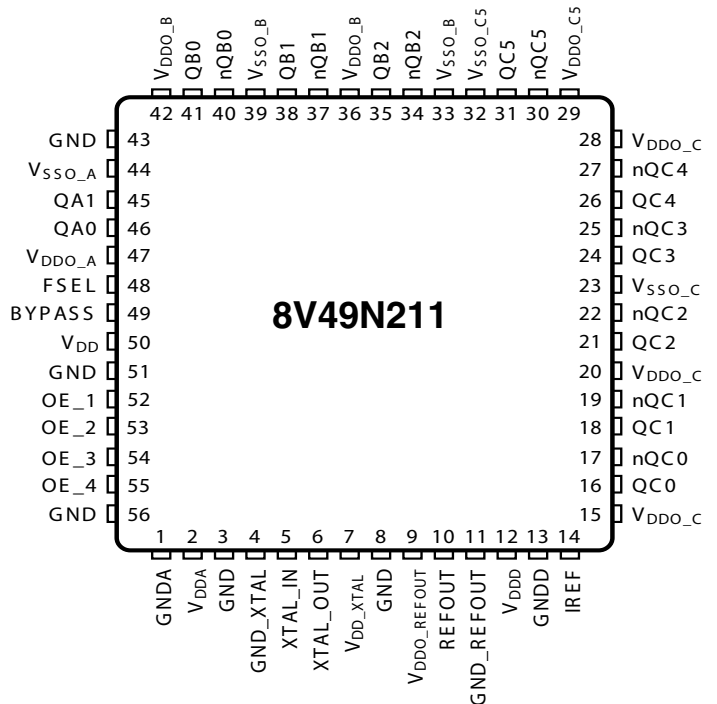
The 8V49N211 is a high-performance PLL-based clock generator designed to interface with Broadcom XLP2xxx processors. The 8V49N211 has one 25MHz crystal input to generate output frequencies to support XLP Core/DDR3, USB, SGMII/XAUI and PCIe reference clocks in a single chip. The 8V49N211 low jitter VCO easily meets PCI Express Gen 1, 2 and 3 requirements.

IDT's Fourth Generation FemtoClock® NG technology has best in class phase noise performance.

Features

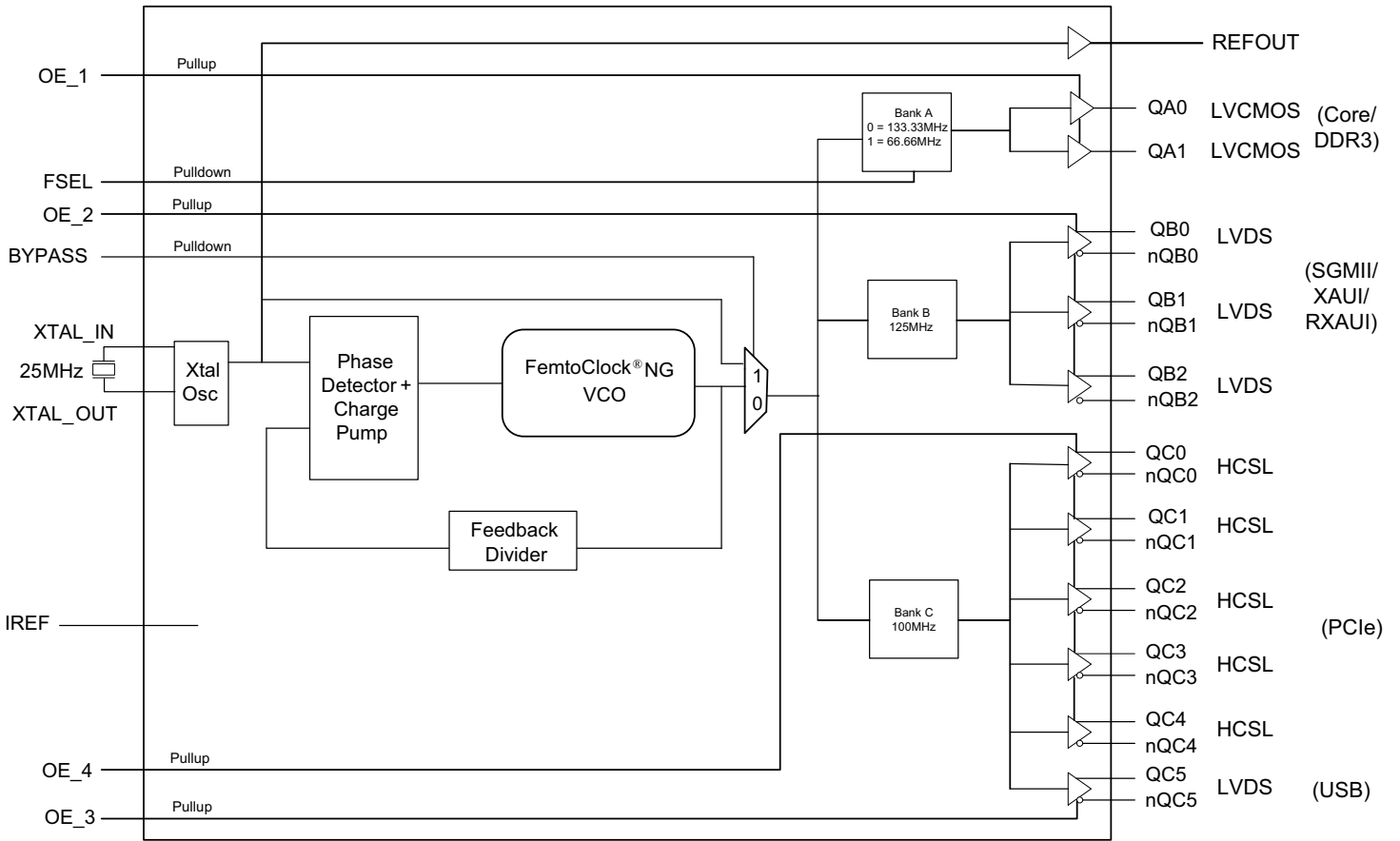
- Fourth Generation FemtoClock® NG PLL technology
- Two LVCMOS clock outputs for core/DDR3 at 133.33MHz or 66.66MHz
- One LVDS clock output for USB at 100MHz
- Three LVDS clock outputs for SGMII/XAUI at 125MHz
- Five HCSL clock outputs for PCIe at 100MHz
- Crystal oscillator interface designed for 25MHz ($C_L = 12pF$) frequency, IDT Part #603-25-173
- PCI Express Gen 1 (2.5Gb/s), Gen 2 (5Gb/s) and Gen 3 (8Gb/s) jitter compliant
- Full 3.3V operating supply voltage
- Lead-free (RoHS 6) packaging
- -40°C to 85°C ambient operating temperature

Pin Assignment



56 Lead 8mm x 8mm VFQFN

Block Diagram



Pin Descriptions and Characteristics

Table 1. Pin Descriptions

Number	Name	Type		Description
1	GND_A	Power		Analog ground pin.
2	V _{DDA}	Power		Analog power supply pin.
3, 8, 43, 51, 56	GND	Power		Power supply ground pins.
4	GND_XTAL	Power		XTAL ground pin.
5 6	XTAL_IN, XTAL_OUT	Input		Parallel resonant crystal interface. XTAL_IN is the input, XTAL_OUT is the output.
7	V _{DD_XTAL}	Power		XTAL power supply pin.
9	V _{DDO_REFOUT}	Power		REFOUT LVCMOS output supply pin.
10	REFOUT	Output		Reference clock output from crystal. LVCMOS/LVTTL interface levels.
11	GND_REFOUT	Power		REFOUT LVCMOS output ground pin.
12	V _{DDD}	Power		Digital power supply pin.
13	GNDD			Digital ground pin.
14	IREF	Input		HCSL current reference resistor output. An external fixed precision resistor (475Ω) from this pin to ground provides a reference current used for HCSL outputs.
15, 20, 28	V _{DDO_C}	Power		Bank C HCSL output supply pins.
16, 17 18, 19 21, 22 24, 25 26, 27	QC0, nQC0 QC1, nQC1 QC2, nQC2 QC3, nQC3 QC4, nQC4	Output		Differential output pairs. HCSL interface levels.
23	V _{SSO_C}	Power		Bank C HCSL output ground pin.
29	V _{DDO_C5}	Power		Bank C LVDS QC5, nQC5 output power supply pin.
30, 31	nQC5, QC5	Output		Differential output pair. HCSL interface levels.
32	V _{SSO_C5}	Power		Bank C LVDS QC5, nQC5 output ground pin.
33, 39	V _{SSO_B}	Power		Bank B LVDS output ground pin.
34, 35 37, 38 40, 41	nQB2, QB2 nQB1, QB1 nQB0, QB0	Output		Differential output pairs. LVDS interface levels.
36, 42	V _{DDO_B}	Power		Bank B LVDS output supply pins.
44	V _{SSO_A}	Power		Bank A LVCMOS output ground pin.
45 46	QA1 QA0	Output		Single-ended LVCMOS/LVTTL outputs.
47	V _{DDO_A}	Power		Bank A LVCMOS output supply pin.
48	FSEL	Input	Pulldown	Selects QAx output frequency. See “Table 3A. Frequency Select Table” .

Number	Name	Type		Description
49	BYPASS	Input	Pulldown	PLL Bypass mode select pin. See Table 3C for function. LVCMOS/LVTTL interface levels.
50	V _{DD}	Power		Power supply pin.
52, 53, 54, 55	OE_1, OE_2 OE_3, OE_4	Input	Pullup	Output enable. LVCMOS/LVTTL interface levels. See "Table 3B. OE Function Table" .

NOTE: *Pulldown and Pullup* refers to an internal input resistor. See Table 2, *Pin Characteristics*, for typical values.

Table 2. Pin Characteristics

Symbol	Parameter	Test Conditions	Minimum	Typical	Maximum	Units
C _{IN}	Input Capacitance	XTAL_IN, XTAL_OUT not included		3.5		pF
R _{PULLDOWN}	Input Pulldown Resistor			51		kΩ
R _{PULLUP}	Input Pullup Resistor			51		kΩ
R _{OUT}	Output Impedance	QA[0:1]	V _{DDO_A} = 3.465V		14	Ω
		REFOUT	V _{DDO_REFOUT} = 3.465V		30	Ω

Function Tables

Table 3A. Frequency Select Table

FSEL	QAx outputs
0 (default)	133.33MHz
1	66.66MHz

Table 3B. OE Function Table

OEx	Output State
0	High Impedance
1 (default)	Enabled

Table 3C. PLL BYPASS Function Table

BYPASS	Operation
1	PLL is bypassed. The reference frequency is divided by the selected output dividers in Bank A, Bank B, Bank C. AC specifications do not apply in PLL BYPASS mode.
0 (default)	PLL is enabled. The reference frequency is multiplied by the PLL feedback divider and then divided by the selected output dividers in Bank A, Bank B, Bank C.

Absolute Maximum Ratings

NOTE: Stresses beyond those listed under *Absolute Maximum Ratings* may cause permanent damage to the device. These ratings are stress specifications only. Functional operation of product at these conditions or any conditions beyond those listed in the *DC Characteristics* or *AC Characteristics* is not implied. Exposure to absolute maximum rating conditions for extended periods may affect product reliability.

Item	Rating
Supply Voltage, V_{DD}	3.63V
Inputs, V_I XTAL_IN Other Inputs	0V to 2V -0.5V to $V_{DD} + 0.5V$
Outputs, V_O (LVCMOS)	-0.5V to $V_{DDO_A} + 0.5V$
Outputs, I_O (LVDS) Continuous Current	10mA 15mA
Outputs, V_O (HCSL)	-0.5V to $V_{DDO_C} + 0.5V$
Junction Temperature, T_J	125°C
Storage Temperature, T_{STG}	-65°C to 150°C

DC Electrical Characteristics

Table 4A. Power Supply DC Characteristics, $V_{DD_X} = V_{DDO_X} = 3.3V \pm 5\%$, $T_A = -40^\circ C$ to $85^\circ C$

Symbol	Parameter	Test Conditions	Minimum	Typical	Maximum	Units
V_{DD_X}	Power Supply Voltage		3.135	3.3	3.465	V
V_{DDA}	Analog Supply Voltage		$V_{DD} - 0.1$	3.3	V_{DD}	V
V_{DDO_X}	Power Supply Voltage		3.135	3.3	3.465	V
I_{DD_X}	Power Supply Current			118	132	mA
I_{DDA}	Analog Supply Current			52	58	mA
I_{DDO_X}	Power Supply Current; NOTE 1			103	115	mA

NOTE: V_{DD_X} denotes, V_{DD} , V_{DDD} , V_{DD_XTAL} .

NOTE: V_{DDO_X} denotes, V_{DDO_A} , V_{DDO_B} , V_{DDO_C} , V_{DDO_C5} , V_{DDO_REFOUT} .

NOTE: I_{DD_X} denotes, I_{DD} , I_{DDD} , I_{DD_XTAL} .

NOTE: I_{DDO_X} denotes, $I_{DDO_A} + I_{DDO_B} + I_{DDO_C} + I_{DDO_C5} + I_{DDO_REFOUT}$.

NOTE: The device has a power sequence requirement, refer to the Application Section.

NOTE 1: HCSL outputs are disabled, LVDS outputs are terminated with 100Ω and LVCMOS, outputs enabled but without load.

Table 4B. LVCMOS/LVTTL DC Characteristics, $V_{DD_X} = V_{DDO_A} = V_{DDO_REFOUT} = 3.3V \pm 5\%$, $T_A = -40^\circ C$ to $85^\circ C$

Symbol	Parameter	Test Conditions	Minimum	Typical	Maximum	Units
V_{IH}	Input High Voltage		2		$V_{DD} + 0.3$	V
V_{IL}	Input Low Voltage		-0.3		0.8	V
I_{IH}	Input High Current	FSEL, BYPASS	$V_{DD} = V_{IN} = 3.465V$		150	μA
		OE_[4:1]	$V_{DD} = V_{IN} = 3.465V$		5	μA
I_{IL}	Input Low Current	FSEL, BYPASS	$V_{DD} = 3.465V, V_{IN} = 0V$	-5		μA
		OE_[4:1]	$V_{DD} = 3.465V, V_{IN} = 0V$	-150		μA
V_{OH}	Output High Voltage	QA[0:1], REFOUT	$I_{OH} = -12mA$	2.6		V
V_{OL}	Output High Voltage	QA[0:1], REFOUT	$I_{OL} = 12mA$		0.5	V

NOTE: V_{DD_X} denotes, V_{DD} , V_{DDD} , V_{DD_XTAL} .

Table 4C. LVDS Output DC Characteristics, $V_{DDO_B} = V_{DDO_C5} = 3.3V \pm 5\%$, $T_A = -40^{\circ}C$ to $85^{\circ}C$

Symbol	Parameter	Test Conditions	Minimum	Typical	Maximum	Units
V_{OD}	Differential Output Voltage		247		454	mV
ΔV_{OD}	V_{OD} Magnitude Change				50	mV
V_{OS}	Offset Voltage		1.25		1.375	V
ΔV_{OS}	V_{OS} Magnitude Change				50	mV

Table 5. Crystal Characteristics

Parameter	Test Conditions	Minimum	Typical	Maximum	Units
Mode of Oscillation		Fundamental			
Frequency			25		MHz
Capacitance Loading (C_L)			12	18	pF
Equivalent Series Resistance (ESR)				80	Ω
Shunt Capacitance				7	pF

NOTE: IDT Part #603-25-173 recommended.

AC Electrical Characteristics

Table 6A. LVCMOS AC Electrical Characteristics, $V_{DD_X} = V_{DDO_A} = V_{DDO_REFOUT} = 3.3V \pm 5\%$, $T_A = -40^\circ C$ to $85^\circ C$

Symbol	Parameter		Test Conditions	Minimum	Typical	Maximum	Units
f_{OUT}	Output Frequency	REF_OUT			25		MHz
		QA[0:1]	FSEL = 1		66.66		MHz
		QA[0:1]	FSEL = 0		133.33		MHz
t_{JIT}	RMS Phase Jitter (Random); NOTE 1		$f_{OUT} = 133.33\text{MHz}$, Integration Range (12kHz to 20MHz)		0.27	0.40	ps
			$f_{OUT} = 66.66\text{MHz}$, Integration Range (12kHz to 20MHz)		0.29	0.45	ps
$\Phi_n(100)$	Single-side Band Phase Noise for $f_{OUT} = 133.33\text{MHz}$		100Hz from Carrier		-98		dBc/Hz
$\Phi_n(1k)$			1kHz from Carrier		-122		dBc/Hz
$\Phi_n(10k)$			10kHz from Carrier		-134		dBc/Hz
$\Phi_n(100k)$			100kHz from Carrier		-138		dBc/Hz
$\Phi_n(1M)$			1MHz from Carrier		-145		dBc/Hz
$\Phi_n(10M)$			10MHz from Carrier		-153		dBc/Hz
$t_{JIT(cc)}$	Cycle-to-Cycle Jitter; NOTE 2		$f_{OUT} = 133.33\text{MHz}$			35	ps
			$f_{OUT} = 66.66\text{MHz}$			40	ps
$t_{sk(o)}$	Output Skew; NOTE 2, 3	QA[0:1]				30	ps
odc	Output Duty Cycle	REF_OUT		47		53	%
		QA[0:1]		40		60	%
t_R / t_F	Output Rise/ Fall Time		20% to 80%	275		800	ps

NOTE: Electrical parameters are guaranteed over the specified ambient operating temperature range, which is established when the device is mounted in a test socket with maintained transverse airflow greater than 500 lfm. The device will meet specifications after thermal equilibrium has been reached under these conditions.

NOTE: V_{DD_X} denotes, V_{DD} , V_{DDD} , V_{DD_XTAL} .

NOTE: Characterized using IDT/ Fox Part #603-25-173 crystal.

NOTE 1: Refer to the phase noise plot.

NOTE 2: This parameter is defined in accordance with JEDEC Standard 65.

NOTE 3: Defined as skew between outputs at the same supply voltage and with equal load conditions.

Table 6B. LVDS AC Electrical Characteristics, $V_{DD_X} = V_{DDO_B} = V_{DDO_C5} = 3.3V \pm 5\%$, $T_A = -40^{\circ}C$ to $85^{\circ}C$

Symbol	Parameter		Test Conditions	Minimum	Typical	Maximum	Units
f_{OUT}	Output Frequency	QC5, nQC5			100		MHz
		QB[0:2], nQB[0:2]			125		MHz
t_{JIT}	RMS Phase Jitter (Random); NOTE 1		$f_{OUT} = 100MHz$, Integration Range (12kHz to 20MHz)		0.27	0.45	ps
			$f_{OUT} = 125MHz$, Integration Range (12kHz to 20MHz)		0.21	0.35	ps
$\Phi_n(100)$	Single-side Band Phase Noise for $f_{OUT} = 125MHz$		100Hz from Carrier		-93		dBc/Hz
$\Phi_n(1k)$			1kHz from Carrier		-122		dBc/Hz
$\Phi_n(10k)$			10kHz from Carrier		-135		dBc/Hz
$\Phi_n(100k)$			100kHz from Carrier		-138		dBc/Hz
$\Phi_n(1M)$			1MHz from Carrier		-146		dBc/Hz
$\Phi_n(10M)$			10MHz from Carrier		-155		dBc/Hz
$t_{JIT(cc)}$	Cycle-to-Cycle Jitter; NOTE 2		$f_{OUT} = 100MHz$			35	ps
			$f_{OUT} = 125MHz$			35	ps
$t_{sk(o)}$	Output Skew; NOTE 2, 3	QB[0:2], nQB[0:2]				40	ps
odc	Output Duty Cycle	QB[0:2], nQB[0:2]; QC5, nQC5		47		53	%
t_R / t_F	Output Rise/ Fall Time		20% to 80%	100		450	ps
t_{DIS}	Output Disable Time				50		ns
t_{EN}	Output Enable Time				650		ns

NOTE: Electrical parameters are guaranteed over the specified ambient operating temperature range, which is established when the device is mounted in a test socket with maintained transverse airflow greater than 500 lfm. The device will meet specifications after thermal equilibrium has been reached under these conditions.

NOTE: V_{DD_X} denotes, V_{DD} , V_{DDD} , V_{DD_XTAL} .

NOTE: Characterized using IDT/ Fox Part #603-25-173 crystal.

NOTE 1: Refer to the phase noise plot.

NOTE 2: This parameter is defined in accordance with JEDEC Standard 65.

NOTE 3: Defined as skew between outputs at the same supply voltage and with equal load conditions. Measured at the differential crosspoint.

Table 6C. HCSL AC Electrical Characteristics, $V_{DD_X} = V_{DDO_C} = 3.3V \pm 5\%$, $T_A = -40^{\circ}C$ to $85^{\circ}C$

Symbol	Parameter		Test Conditions	Minimum	Typical	Maximum	Units
f_{OUT}	Output frequency	QC[0:4], nQC[0:4]			100		MHz
t_{JIT}	RMS Phase Jitter (Random); NOTE 1		$f_{OUT} = 100MHz$, Integration Range (12kHz to 20MHz)		0.27	0.4	ps
$\Phi_n(100)$	Single-side Band Phase Noise for $f_{OUT} = 100MHz$		100Hz from Carrier		-101		dBc/Hz
$\Phi_n(1k)$			1kHz from Carrier		-123		dBc/Hz
$\Phi_n(10k)$			10kHz from Carrier		-136		dBc/Hz
$\Phi_n(100k)$			100kHz from Carrier		-140		dBc/Hz
$\Phi_n(1M)$			1MHz from Carrier		-147		dBc/Hz
$\Phi_n(10M)$			10MHz from Carrier		-153		dBc/Hz
$t_{JIT(CC)}$	Cycle-to-Cycle Jitter; NOTE 2		$f_{OUT} = 100MHz$			50	ps
$t_{sk(o)}$	Output Skew; NOTE 2, 3	QC[0:4], nQC[0:4]				70	ps
t_{DIS}	Output Disable Time				30		ns
t_{EN}	Output Enable Time				55		ns
V_{MAX}	Absolute Maximum Output Voltage; NOTE 4, 5					1150	mV
V_{MIN}	Absolute Minimum Output Voltage; NOTE 4, 6			-150			mV
V_{CROSS}	Absolute Crossing Voltage; NOTE 4, 7, 8			200		550	mV
ΔV_{CROSS}	Total Variation of V_{CROSS} over all edges; NOTE 4, 8, 9					140	mV
$t_{SLEW\pm}$	Rise/Fall Edge Rate; NOTE 10, 11		Measured between -150mV to +150mV	0.6		4	V/ns
odc	Output Duty Cycle	QC[0:4]. nQC[0:4]		47		53	%

NOTE: V_{DD_X} denotes, V_{DD} , V_{DDD} , V_{DD_XTAL} .

NOTE: Characterized using IDT/ Fox Part #603-25-173 crystal.

NOTE: Electrical parameters are guaranteed over the specified ambient operating temperature range, which is established when the device is mounted in a test socket with maintained transverse airflow greater than 500 lpm. The device will meet specifications after thermal equilibrium has been reached under these conditions.

NOTE 1: Refer to the phase noise plot.

NOTE 2: This parameter is defined in accordance with JEDEC Standard 65.

NOTE 3: Defined as skew between outputs at the same supply voltage and with equal load conditions. Measured at the differential crosspoint.

NOTE 4: Measurement taken from single-ended waveform.

NOTE 5: Defined as the maximum instantaneous voltage including overshoot.

NOTE 6: Defined as the minimum instantaneous voltage including undershoot. See Parameter Measurement Information Section.

NOTE 7: Measured at crosspoint where the instantaneous voltage value of the rising edge of QCx equals the falling edge of nQCx. See Parameter Measurement Information Section.

NOTE 8: Refers to the total variation from the lowest crosspoint to the highest, regardless of which edge is crossing. Refers to all crosspoint for this measurement. See Parameter Measurement Information Section.

NOTE 9: Defined as the total variation of all crossing voltage of rising QCx and falling nQCx. This is the maximum allowed variance in the V_{CROSS} for any particular system. See Parameter Measurement Information Section.

NOTE 10: Measurement taken from a differential waveform.

NOTE 11: Measured from -150mV to +150mV on the differential waveform (derived from QCx minus nQCx). The signal must be monotonic through the measurement region for rise and fall time. The 300mV measurement window is centered on the differential zero crossing.

See Parameter Measurement Information Section.

Table 6D. PCI Express Jitter Specifications, $V_{DD_X} = V_{DDO_C} = 3.3V \pm 5\%$, $T_A = -40^{\circ}C$ to $85^{\circ}C$

Symbol	Parameter	Test Conditions	Minimum	Typical	Maximum	PCIe Industry Specification	Units
t_j (PCIe Gen 1)	Phase Jitter Peak-to-Peak; NOTE 1, 4	$f = 100MHz$, 25MHz Crystal Input Evaluation Band: 0Hz - Nyquist (clock frequency/2)		7.56	12.0	86.0	ps
$t_{REFCLK_HF_RMS}$ (PCIe Gen 2)	Phase Jitter RMS; NOTE 2, 4	$f = 100MHz$, 25MHz Crystal Input High Band: 1.5MHz - Nyquist (clock frequency/2)		0.58	1.0	3.1	ps
$t_{REFCLK_LF_RMS}$ (PCIe Gen 2)	Phase Jitter RMS; NOTE 2, 4	$f = 100MHz$, 25MHz Crystal Input Low Band: 10kHz - 1.5MHz		0.05	1.0	3.0	ps
t_{REFCLK_RMS} (PCIe Gen 3)	Phase Jitter RMS; NOTE 3, 4	$f = 100MHz$, 25MHz Crystal Input Evaluation Band: 0Hz - Nyquist (clock frequency/2)		0.11	0.25	0.8	ps

NOTE: V_{DD_X} denotes, V_{DD} , V_{DDD} , V_{DD_XTAL} .

NOTE: Characterized using IDT/ Fox Part #603-25-173 crystal.

NOTE: Measurements done on QC[0:4]. nQC[0:4] output pairs.

NOTE: Electrical parameters are guaranteed over the specified ambient operating temperature range, which is established when the device is mounted in a test socket with maintained transverse airflow greater than 500 lfm. The device will meet specifications after thermal equilibrium has been reached under these conditions. For additional information, refer to the *PCI Express Application Note section* in the datasheet.

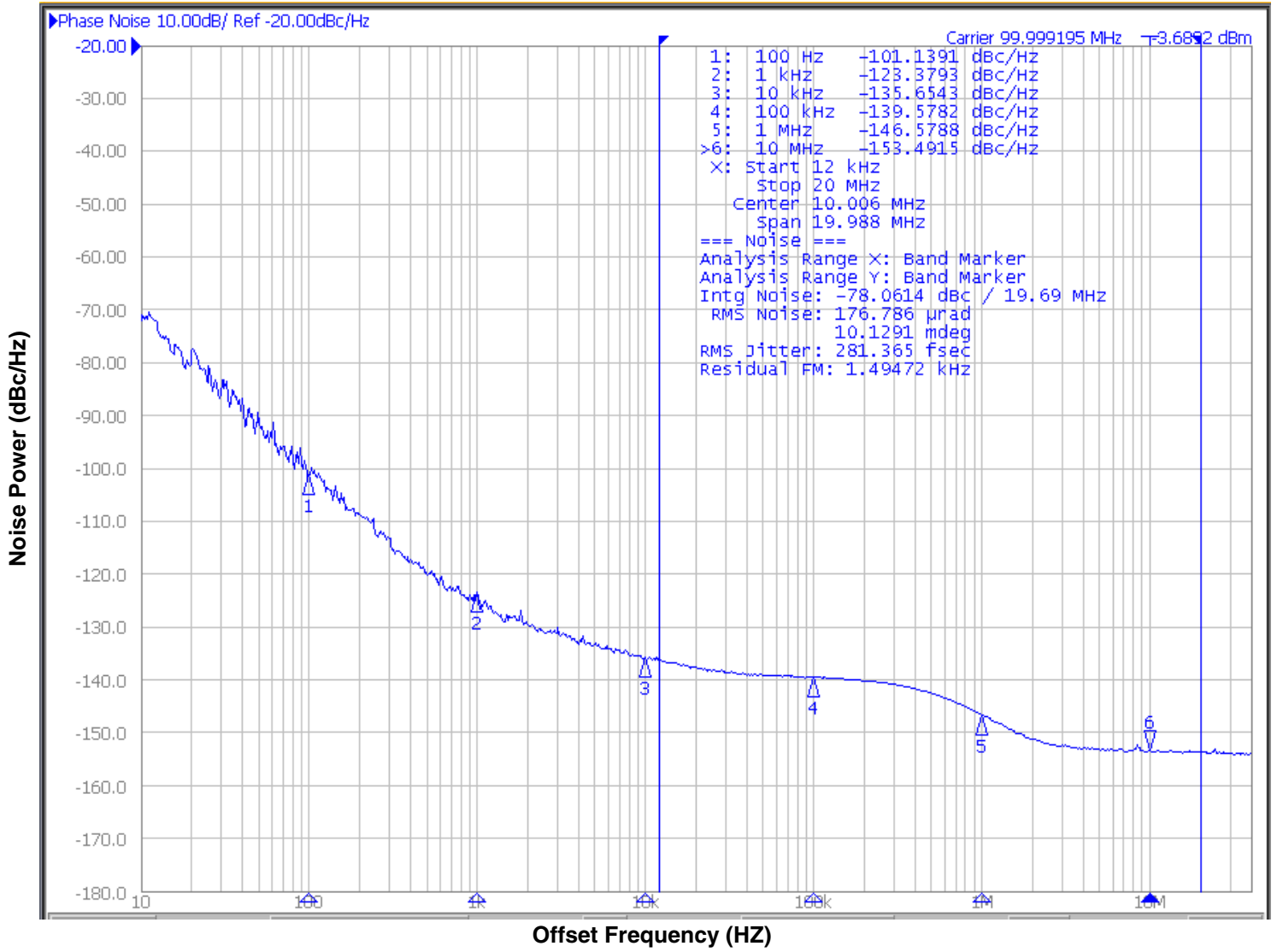
NOTE 1: Peak-to-Peak jitter after applying system transfer function for the Common Clock Architecture. Maximum limit for PCI Express Gen 1 is 86ps peak-to-peak for a sample size of 10^6 clock periods.

NOTE 2: RMS jitter after applying the two evaluation bands to the two transfer functions defined in the Common Clock Architecture and reporting the worst case results for each evaluation band. Maximum limit for PCI Express Generation 2 is 3.1ps RMS for $t_{REFCLK_HF_RMS}$ (High Band) and 3.0ps RMS for $t_{REFCLK_LF_RMS}$ (Low Band).

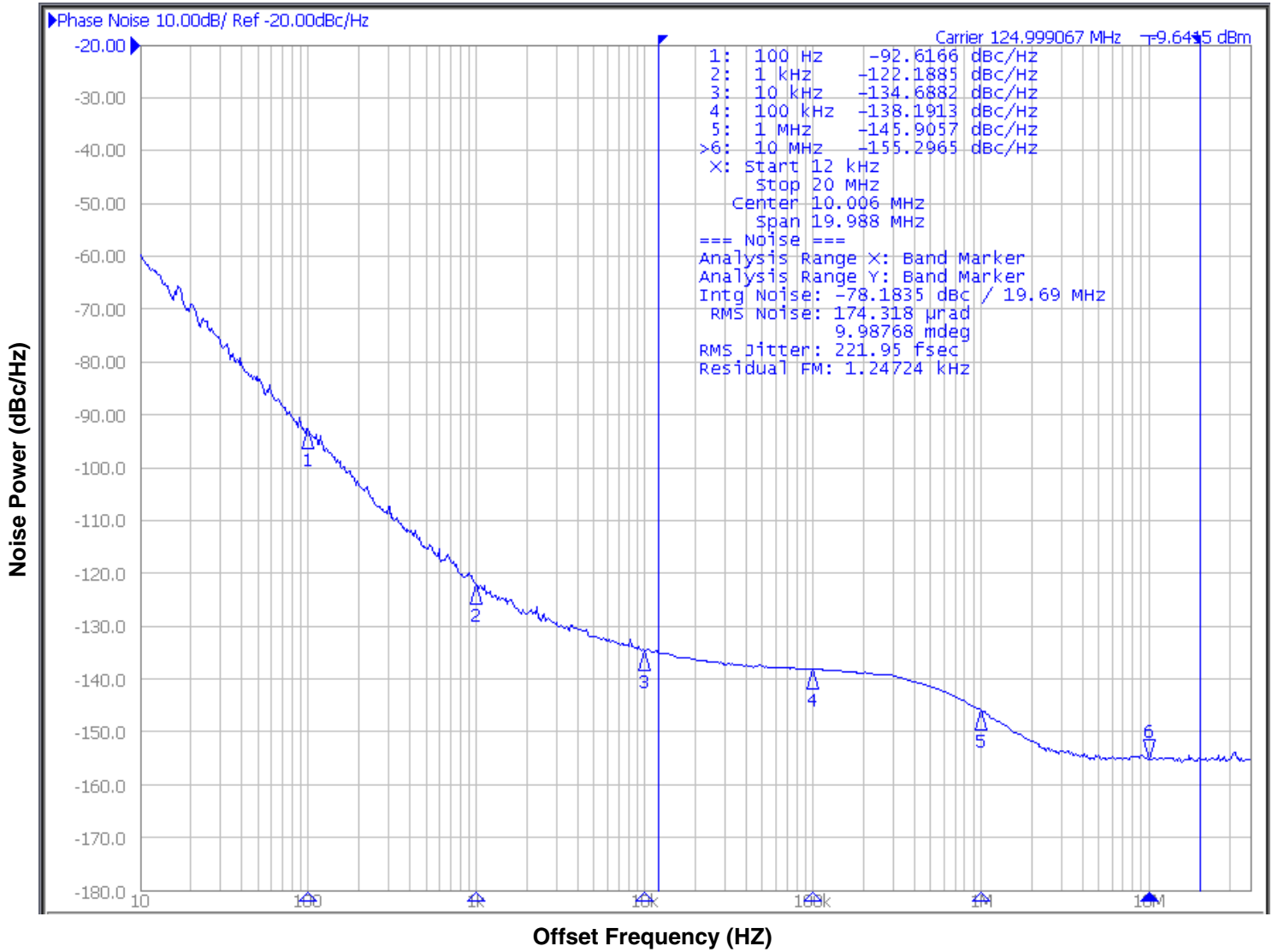
NOTE 3: RMS jitter after applying system transfer function for the common clock architecture. This specification is based on the *PCI Express Base Specification Revision 0.7, October 2009* and is subject to change pending the final release version of the specification.

NOTE 4: This parameter is guaranteed by characterization. Not tested in production.

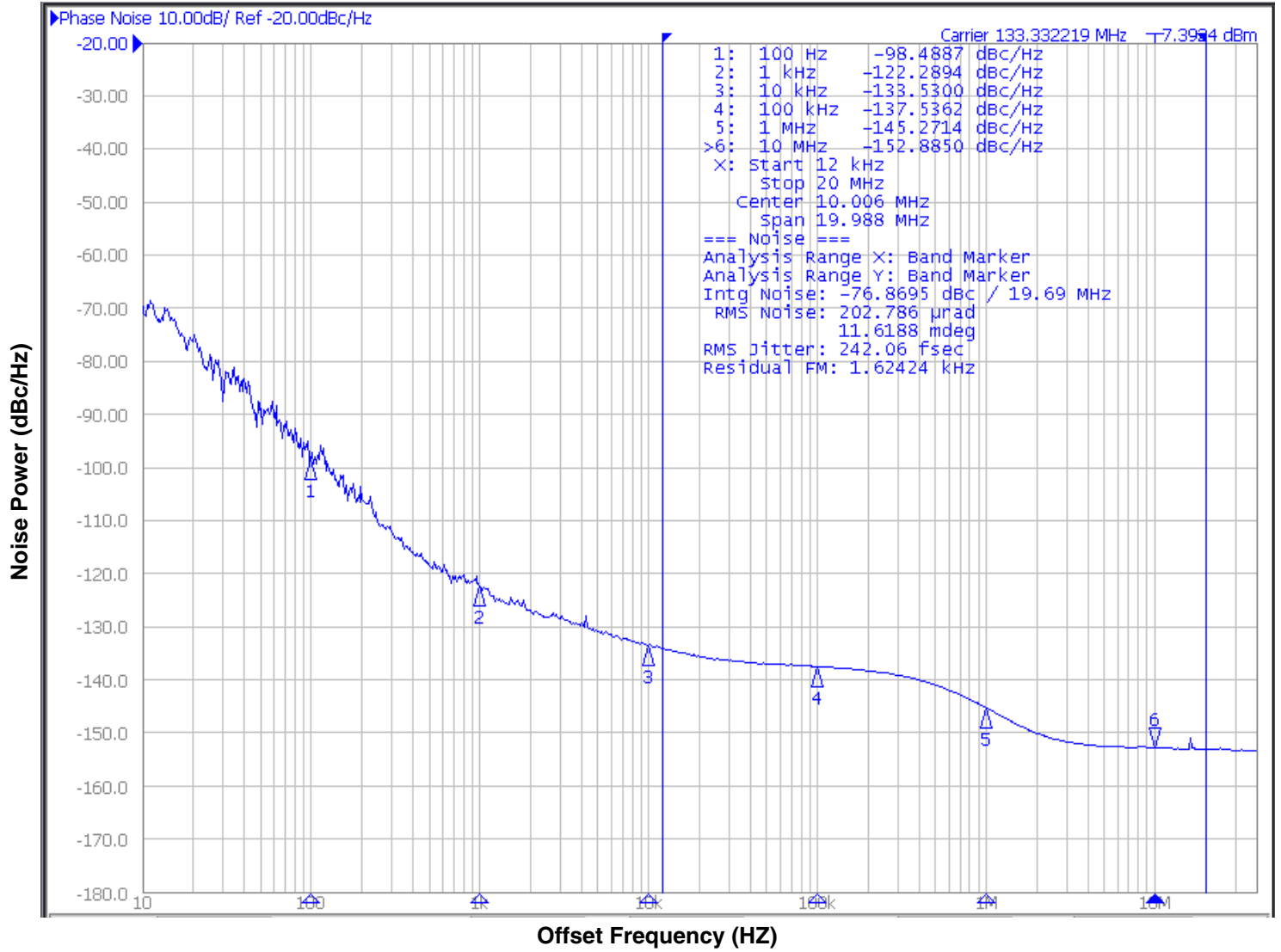
HCSL Typical Phase Noise at 100MHz



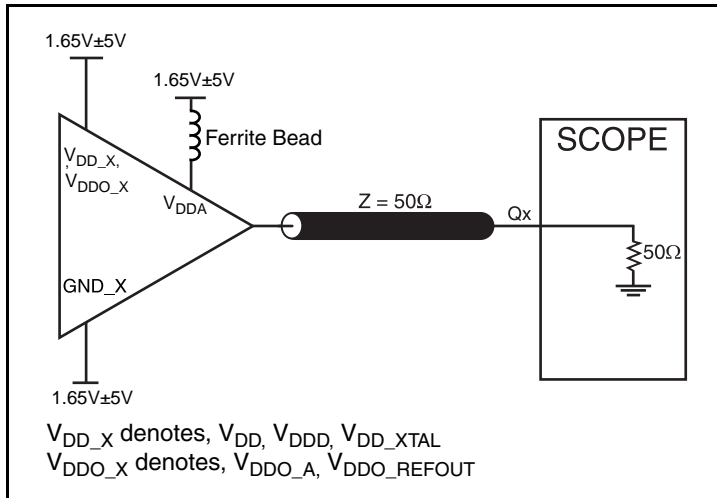
LVDS Typical Phase Noise at 125MHz



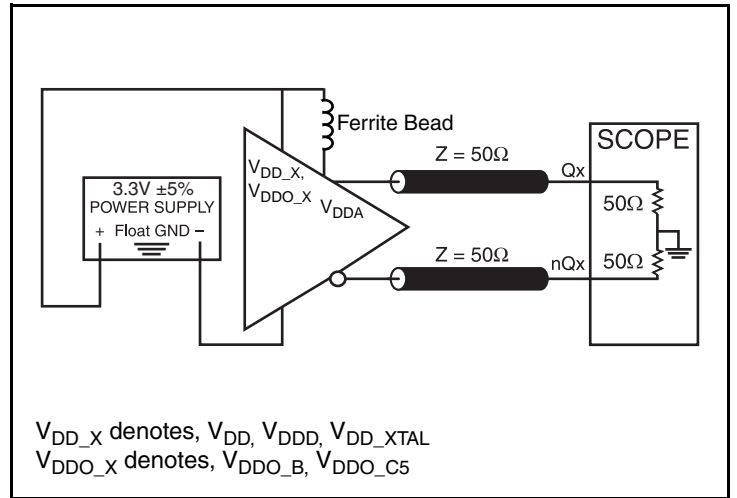
LVCMOS Typical Phase Noise at 133.33MHz



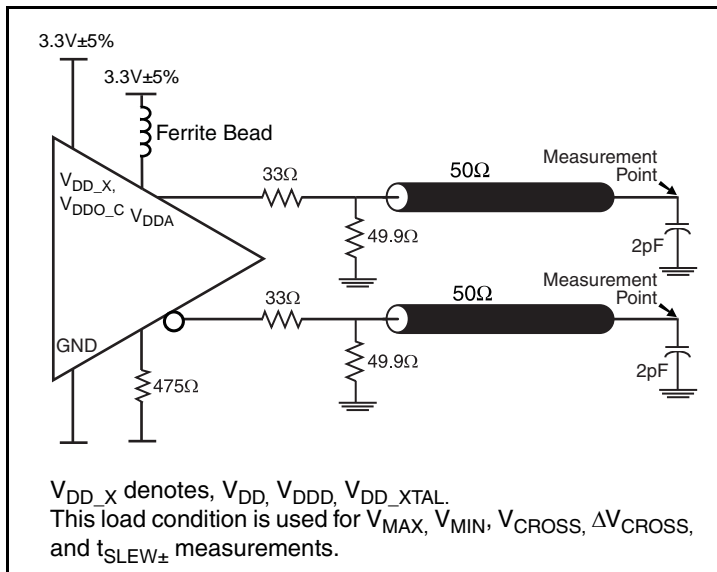
Parameter Measurement Information



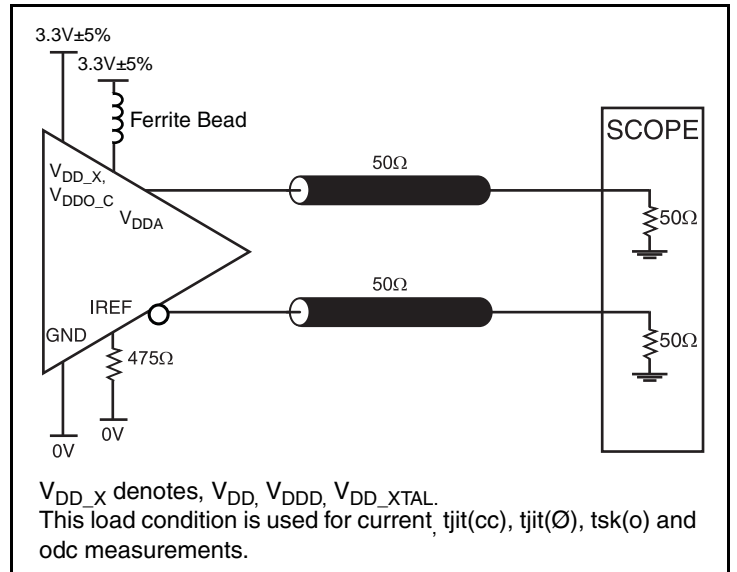
LVC MOS Output Load Test Circuit



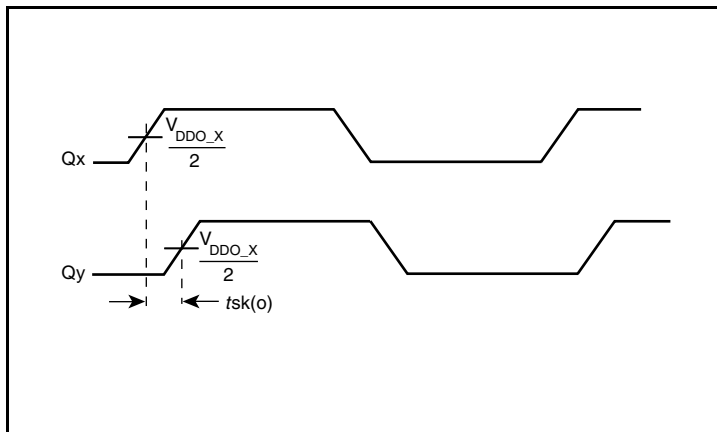
LVDS Output Load Test Circuit



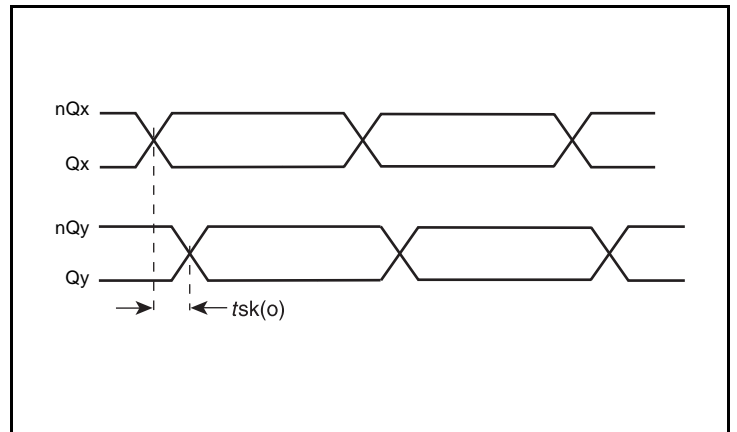
HCSL Output Load Test Circuit



HCSL Output Load Test Circuit

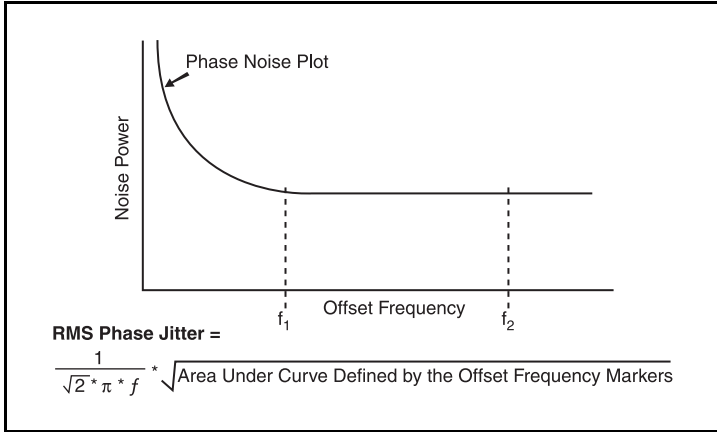


LVC MOS Output Skew

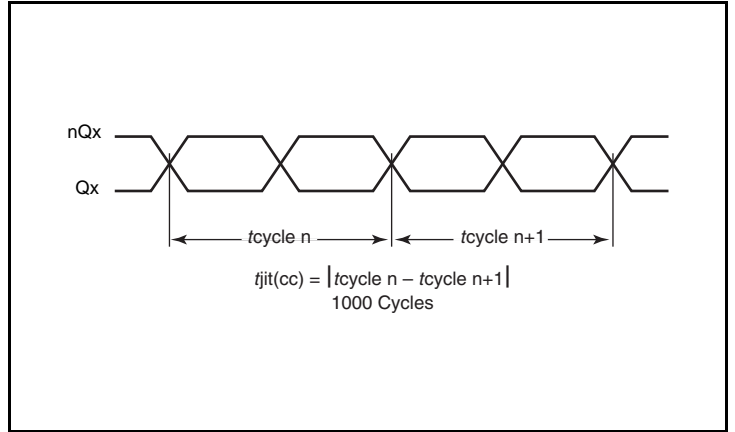


Output Skew (Differential Outputs)

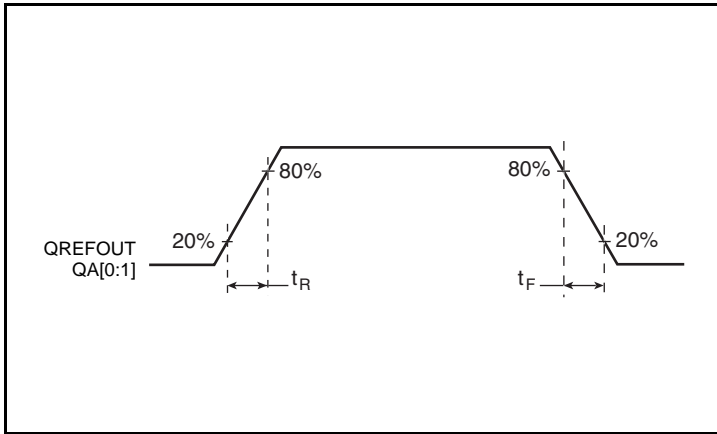
Parameter Measurement Information, continued



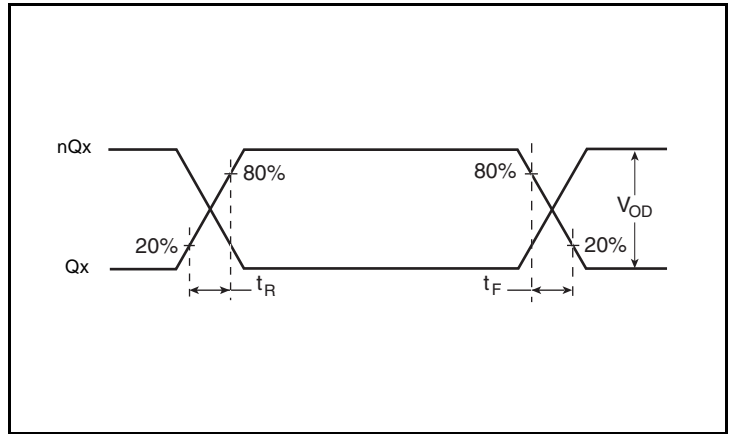
RMS Phase Jitter



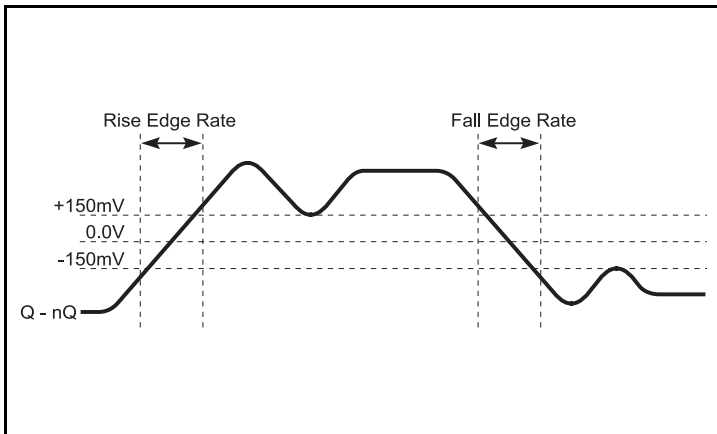
Cycle-to-Cycle Jitter (Differential Output)



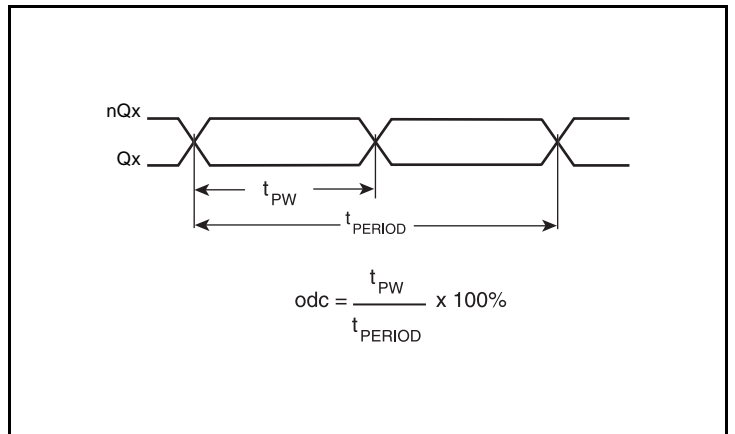
LVCMOS Output Rise/Fall Time



LVDS Output Rise/Fall Time

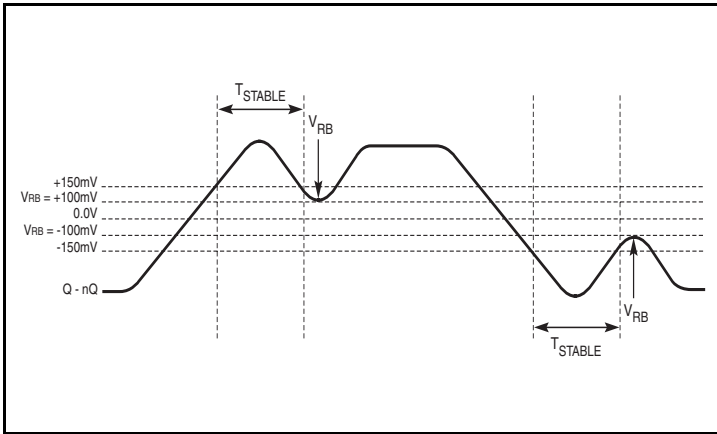


HCSL Output Points for Rise/Fall Edge Rate



Differential Output Duty Cycle

Parameter Measurement Information, continued



HCSL Output Measurement Points for Ringback

Applications Information

Recommendations for Unused Input and Output Pins

Inputs:

LVC MOS Control Pins

All control pins have internal pullup or pulldown resistors; additional resistance is not required but can be added for additional protection. A 1k Ω resistor can be used.

Outputs:

LVC MOS Outputs

All unused LVC MOS outputs can be left floating. There should be no trace attached.

LVDS Outputs

All unused LVDS outputs can be either left floating or terminated with 100 Ω across. If they are left floating, there should be no trace attached.

HCSL Outputs

All unused differential outputs can be left floating. We recommend that there is no trace attached. Both sides of the differential output pair should either be left floating or terminated.

Power Supply Sequence Requirement

The 8V49N211 has a power supply sequence requirement.

This device requires that V_{DD} , V_{DDA} , V_{DD_XTAL} , and V_{DDD} be powered simultaneously.

This device has been characterized using the recommended power supply filtering techniques in the Schematic Example.

Overdriving the XTAL Interface

The XTAL_IN input can be overdriven by an LVCMOS driver or by one side of a differential driver through an AC coupling capacitor. The XTAL_OUT pin can be left floating. The amplitude of the input signal should be between 500mV and 1.8V and the slew rate should not be less than 0.2V/nS. For 3.3V LVCMOS inputs, the amplitude must be reduced from full swing to at least half the swing in order to prevent signal interference with the power rail and to reduce internal noise. *Figure 1A* shows an example of the interface diagram for a high speed 3.3V LVCMOS driver. This configuration requires that the sum of the output impedance of the driver (R_o) and the series resistance (R_s) equals the transmission line impedance. In addition, matched termination at the crystal input will attenuate the signal in half. This

can be done in one of two ways. First, R_1 and R_2 in parallel should equal the transmission line impedance. For most 50Ω applications, R_1 and R_2 can be 100Ω. This can also be accomplished by removing R_1 and changing R_2 to 50Ω. The values of the resistors can be increased to reduce the loading for a slower and weaker LVCMOS driver. *Figure 1B* shows an example of the interface diagram for an LVPECL driver. This is a standard LVPECL termination with one side of the driver feeding the XTAL_IN input. It is recommended that all components in the schematics be placed in the layout. Though some components might not be used, they can be utilized for debugging purposes. The datasheet specifications are characterized and guaranteed by using a quartz crystal as the input.

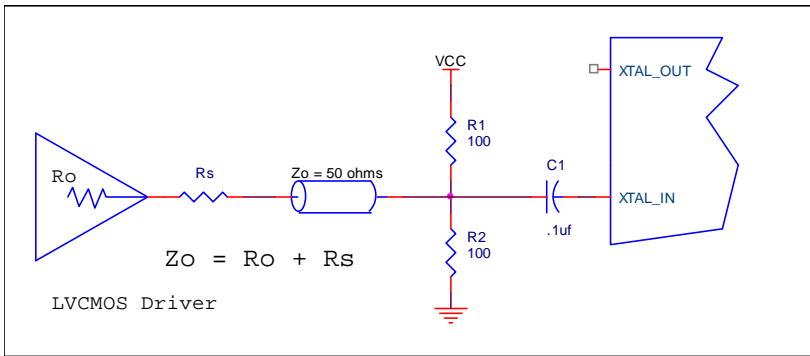


Figure 1A. General Diagram for LVCMOS Driver to XTAL Input Interface

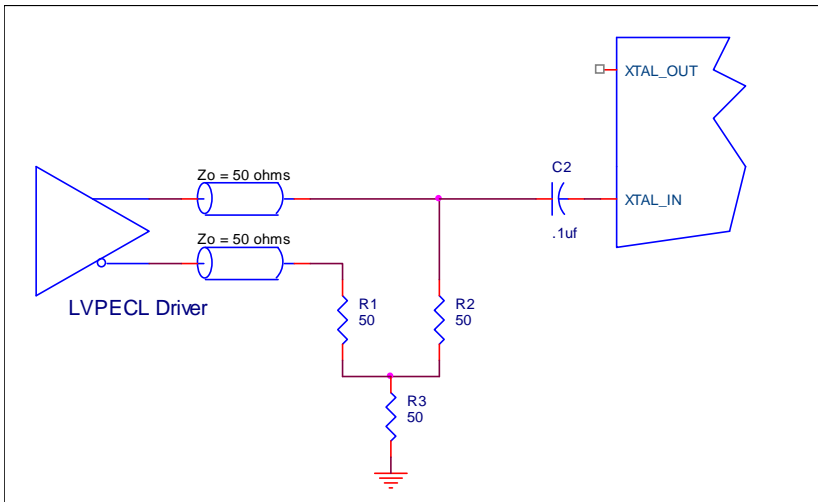
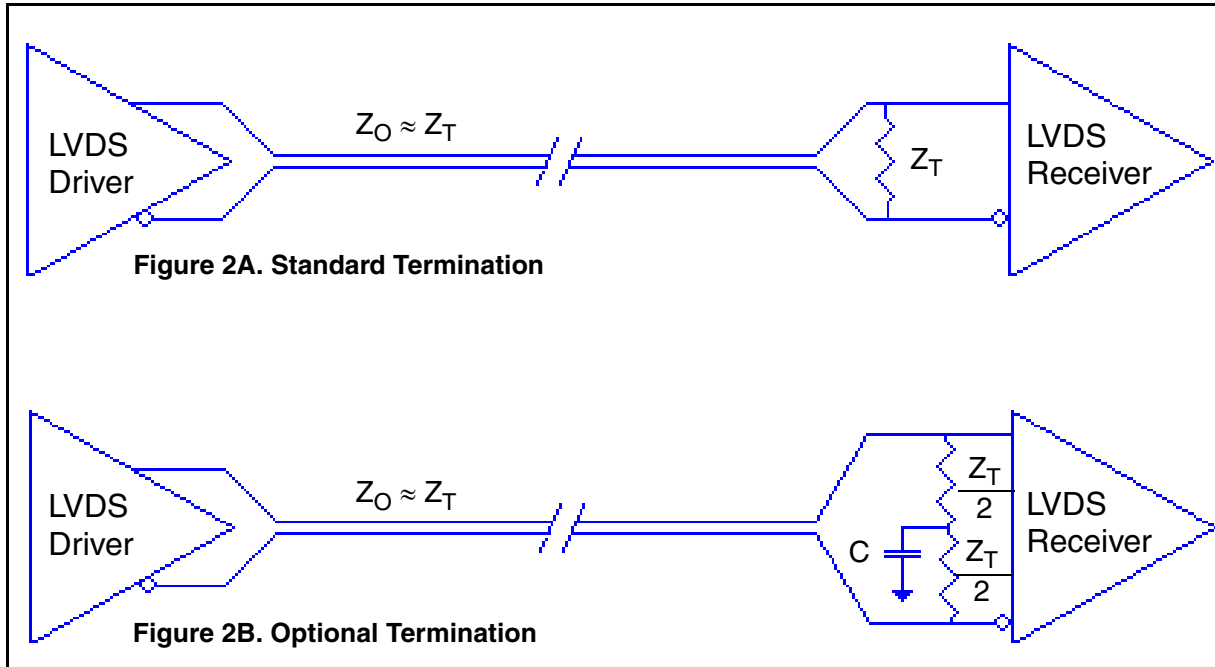


Figure 1B. General Diagram for LVPECL Driver to XTAL Input Interface

LVDS Driver Termination

For a general LVDS interface, the recommended value for the termination impedance (Z_T) is between 90Ω and 132Ω . The actual value should be selected to match the differential impedance (Z_0) of your transmission line. A typical point-to-point LVDS design uses a 100Ω parallel resistor at the receiver and a 100Ω differential transmission-line environment. In order to avoid any transmission-line reflection issues, the components should be surface mounted and must be placed as close to the receiver as possible. IDT offers a full line of LVDS compliant devices with two types of output structures: current source and voltage source. The

standard termination schematic as shown in *Figure 2A* can be used with either type of output structure. *Figure 2B*, which can also be used with both output types, is an optional termination with center tap capacitance to help filter common mode noise. The capacitor value should be approximately 50pF . If using a non-standard termination, it is recommended to contact IDT and confirm if the output structure is current source or voltage source type. In addition, since these outputs are LVDS compatible, the input receiver's amplitude and common-mode input range should be verified for compatibility with the output.



LVDS Termination

Recommended Termination

Figure 3A is the recommended source termination for applications where the driver and receiver will be on a separate PCBs. This termination is the standard for PCI Express™ and HCSL output types.

All traces should be 50Ω impedance single-ended or 100Ω differential.

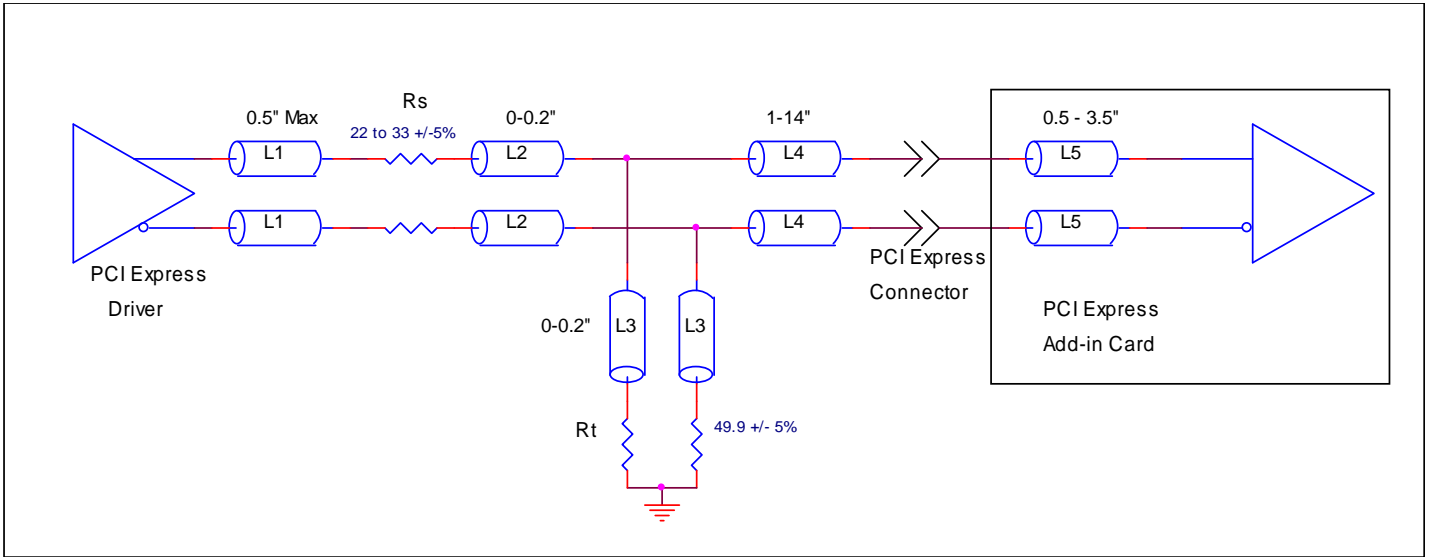


Figure 3A. Recommended Source Termination (where the driver and receiver will be on separate PCBs)

Figure 3B is the recommended termination for applications where a point-to-point connection can be used. A point-to-point connection contains both the driver and the receiver on the same PCB. With a matched termination at the receiver, transmission-line reflections will

be minimized. In addition, a series resistor (Rs) at the driver offers flexibility and can help dampen unwanted reflections. The optional resistor can range from 0Ω to 33Ω. All traces should be 50Ω impedance single-ended or 100Ω differential.

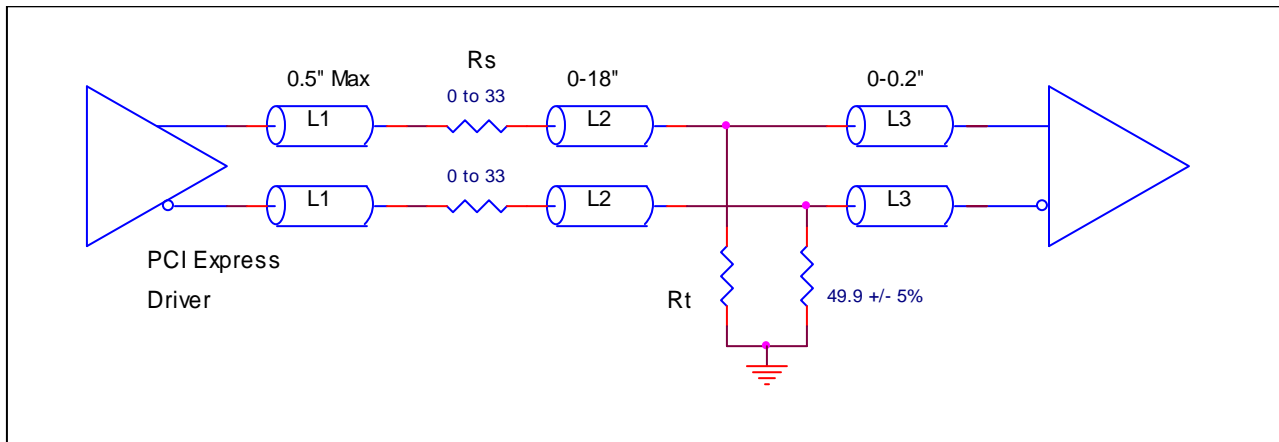


Figure 3B. Recommended Termination (where a point-to-point connection can be used)

VFQFN EPAD Thermal Release Path

In order to maximize both the removal of heat from the package and the electrical performance, a land pattern must be incorporated on the Printed Circuit Board (PCB) within the footprint of the package corresponding to the exposed metal pad or exposed heat slug on the package, as shown in *Figure 4*. The solderable area on the PCB, as defined by the solder mask, should be at least the same size/shape as the exposed pad/slug area on the package to maximize the thermal/electrical performance. Sufficient clearance should be designed on the PCB between the outer edges of the land pattern and the inner edges of pad pattern for the leads to avoid any shorts.

While the land pattern on the PCB provides a means of heat transfer and electrical grounding from the package to the board through a solder joint, thermal vias are necessary to effectively conduct from the surface of the PCB to the ground plane(s). The land pattern must be connected to ground through these vias. The vias act as “heat pipes”. The number of vias (i.e. “heat pipes”) are application specific

and dependent upon the package power dissipation as well as electrical conductivity requirements. Thus, thermal and electrical analysis and/or testing are recommended to determine the minimum number needed. Maximum thermal and electrical performance is achieved when an array of vias is incorporated in the land pattern. It is recommended to use as many vias connected to ground as possible. It is also recommended that the via diameter should be 12 to 13mils (0.30 to 0.33mm) with 1oz copper via barrel plating. This is desirable to avoid any solder wicking inside the via during the soldering process which may result in voids in solder between the exposed pad/slug and the thermal land. Precautions should be taken to eliminate any solder voids between the exposed heat slug and the land pattern. Note: These recommendations are to be used as a guideline only. For further information, please refer to the Application Note on the Surface Mount Assembly of Amkor’s Thermally/Electrically Enhance Leadframe Base Package, Amkor Technology.

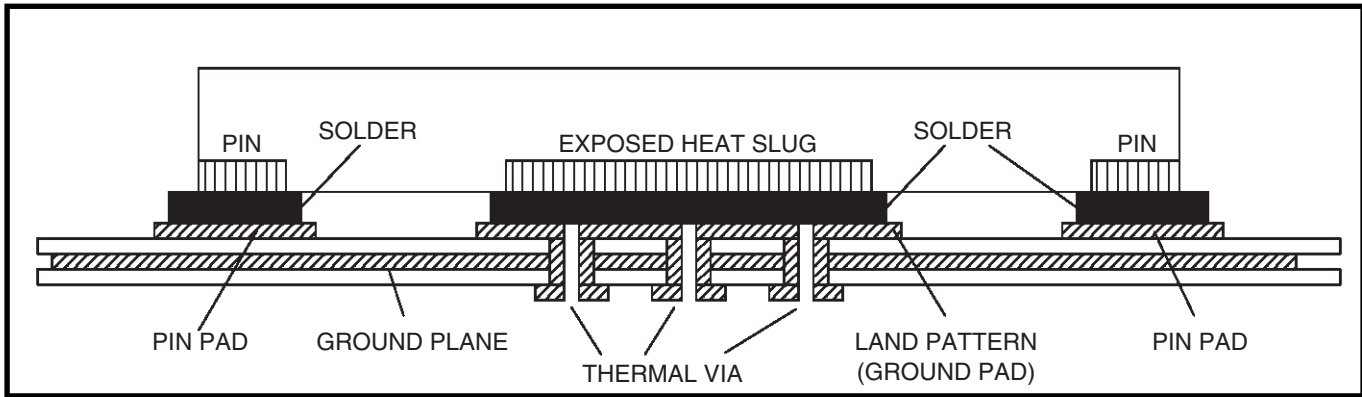


Figure 4. P.C. Assembly for Exposed Pad Thermal Release Path – Side View (drawing not to scale)

PCI Express Application Note

PCI Express jitter analysis methodology models the system response to reference clock jitter. The block diagram below shows the most frequently used *Common Clock Architecture* in which a copy of the reference clock is provided to both ends of the PCI Express Link.

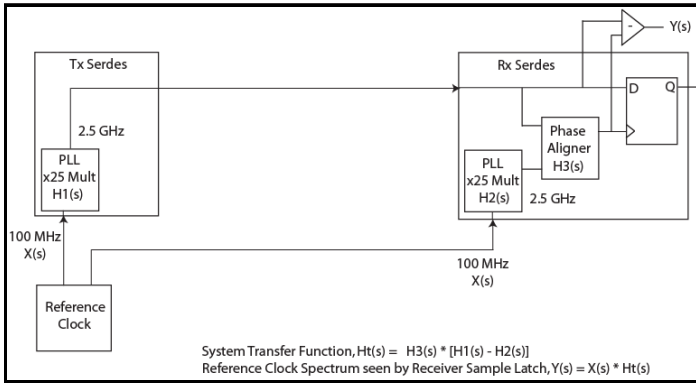
In the jitter analysis, the transmit (Tx) and receive (Rx) serdes PLLs are modeled as well as the phase interpolator in the receiver. These transfer functions are called H1, H2, and H3 respectively. The overall system transfer function at the receiver is:

$$H_t(s) = H_3(s) \times [H_1(s) - H_2(s)]$$

The jitter spectrum seen by the receiver is the result of applying this system transfer function to the clock spectrum X(s) and is:

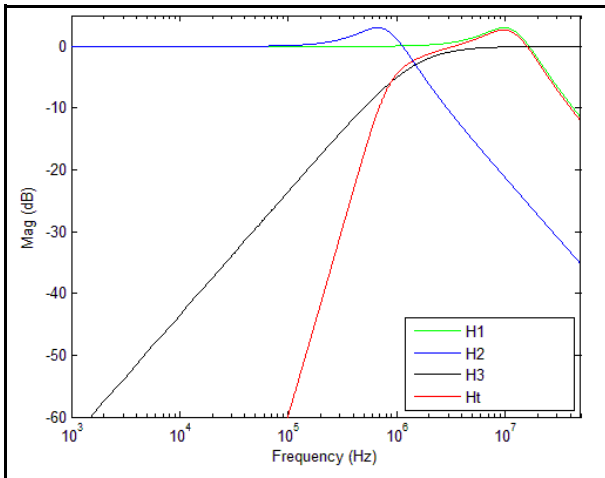
$$Y(s) = X(s) \times H_3(s) \times [H_1(s) - H_2(s)]$$

In order to generate time domain jitter numbers, an inverse Fourier Transform is performed on $X(s) \times H_3(s) \times [H_1(s) - H_2(s)]$.



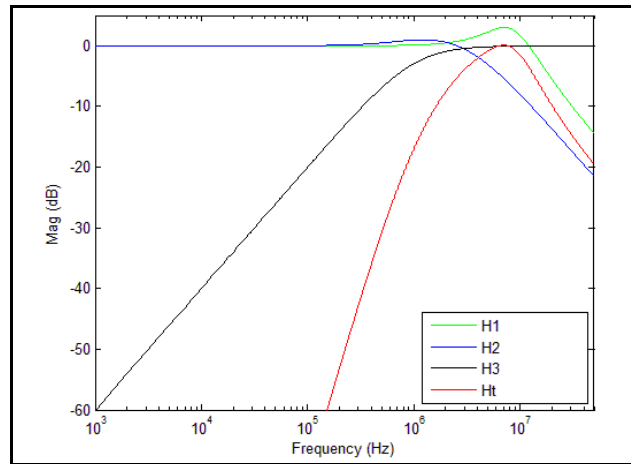
PCI Express Common Clock Architecture

For **PCI Express Gen 1**, one transfer function is defined and the evaluation is performed over the entire spectrum: DC to Nyquist (e.g. for a 100MHz reference clock: 0Hz – 50MHz) and the jitter result is reported in peak-peak.

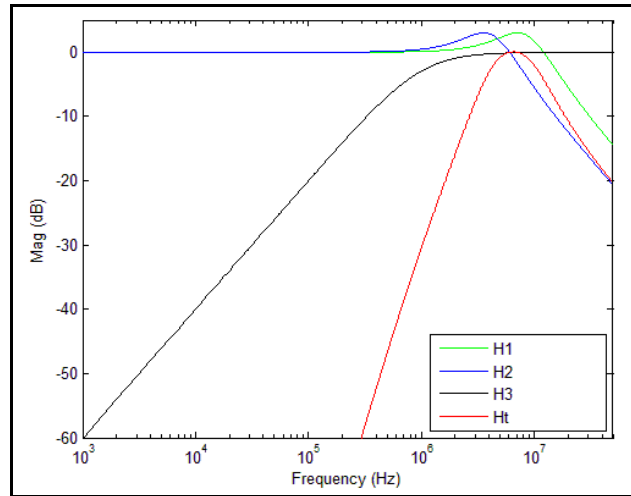


PCI Express Gen 1 Magnitude of Transfer Function

For **PCI Express Gen 2**, two transfer functions are defined with 2 evaluation ranges and the final jitter number is reported in RMS. The two evaluation ranges for PCI Express Gen 2 are 10kHz – 1.5MHz (Low Band) and 1.5MHz – Nyquist (High Band). The plots show the individual transfer functions as well as the overall transfer function Ht.

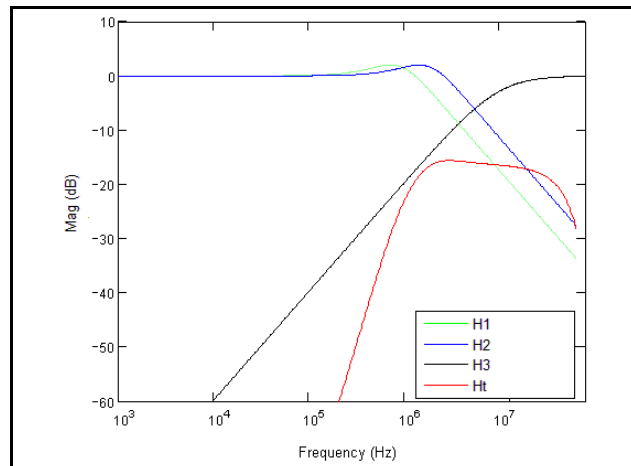


PCI Express Gen 2A Magnitude of Transfer Function



PCI Express Gen 2B Magnitude of Transfer Function

For **PCI Express Gen 3**, one transfer function is defined and the evaluation is performed over the entire spectrum. The transfer function parameters are different from Gen 1 and the jitter result is reported in RMS.



PCI Express Gen 3 Magnitude of Transfer Function

For a more thorough overview of PCI Express jitter analysis methodology, please refer to IDT Application Note *PCI Express Reference Clock Requirements*.

Schematic Layout

Figure 5 shows an example 8V49N211 application schematic. The schematic example focuses on functional connections and is not configuration specific. Refer to the pin description and functional tables in the datasheet to ensure the logic control inputs are properly set. Input and output terminations shown are intended as examples only and may not represent the exact user configuration.

In this example a 12pF parallel resonant 25MHz crystal (IDT/ FOX Part #603-25-173) is used with the recommended load caps $C1 = C2 = 2\text{pF}$. Use a single point ground connection for the two load caps as shown in the schematic. The load caps are recommended for frequency accuracy, but these may be adjusted for different board layouts. Crystals with different load capacities may be used, but the load capacitors will have to be changed accordingly. If different crystal types are used, please consult IDT for recommendations.

Crystal layout is very important to minimize capacitive coupling between the crystal pads and leads and other metal in the circuit board. Capacitive coupling to other conductors has two adverse effects; it reduces the oscillator frequency leaving less tuning margin and noise coupling from power planes and logic transitions on signal traces can pull the phase of the crystal resonance, inducing jitter. Routing I²C under the crystal is a very common layout error, based on the assumption that it is a low frequency signal and will not affect the crystal oscillation. In fact, I²C transition times are short enough to capacitively couple into the crystal if they are routed close enough to the crystal traces.

In layout, all capacitive coupling to the crystal from any signal trace is to be minimized, that is to the XTAL_IN and XTAL_OUT pins, traces to the crystal pads, the crystal pads and the tuning capacitors. Using a crystal on the top layer as an example, void all signal and power layers under the crystal connections between the top layer and the ground plane used by the 8V49N211. Then calculate the parasitic capacity to the ground and determine if it is large enough to preclude tuning the oscillator. If the coupling is excessive, particularly if the first layer under the crystal is a ground plane, a layout option is to void the ground plane and all deeper layers until the next ground plane is

reached. The ground connection of the tuning capacitors should first be made between the capacitors on the top layer, then a single ground via is dropped to connect the tuning cap ground to the ground plane as close to the 8V49N211 as possible as shown in the schematic.

The schematic example shows two different HCSL output terminations; the standard termination for the case in which the HCSL receiver is on the same PCB as the 8V49N211 as well as the termination for an attached PCIe add-in card.

As with any high speed analog circuitry, the power supply pins are vulnerable to random noise. To achieve optimum jitter performance, power supply isolation is required. The 8V49N211 provides separate V_{DD} , V_{DDD} , V_{DDA} , V_{DD_XTAL} and V_{DDO_REF} , V_{DDO_A} , V_{DDO_B} , V_{DDO_C} , and V_{DDO_C5} pins to isolate any high speed switching noise at the outputs from coupling into the internal PLL.

In order to achieve the best possible filtering, it is highly recommended that the 0.1 μF capacitors be placed on the 8V49N211 side of the PCB as close to the power pins as possible. This is represented by the placement of these capacitors in the schematic. If space is limited, the ferrite beads, 10 μF capacitors and the 0.1 μF capacitors connected directly to 3.3V can be placed on the opposite side of the PCB. If space permits, place all filter components on the device side of the board.

Power supply filter recommendations are a general guideline to be used for reducing external noise from coupling into the devices. The filter performance is designed for a wide range of noise frequencies. This low-pass filter starts to attenuate noise at approximately 10kHz. If a specific frequency noise component is known, such as switching power supplies frequencies, it is recommended that component values be adjusted and if required, additional filtering be added. Additionally, good general design practices for power plane voltage stability suggests adding bulk capacitance in the local area of all devices.

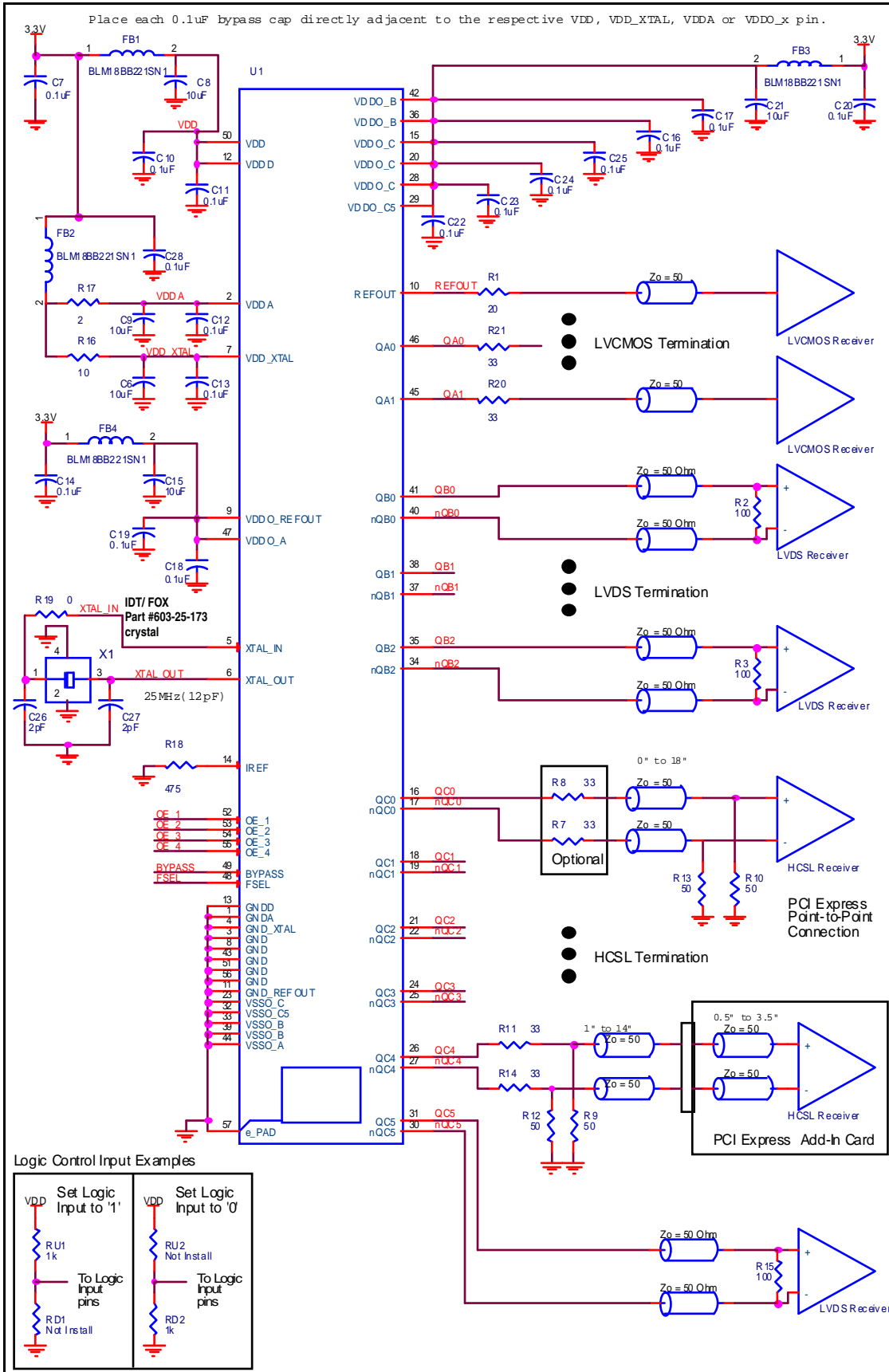


Figure 5. 8V49N211 Schematic Example

Power Considerations

This section provides information on power dissipation and junction temperature for the 8V49N211. Equations and example calculations are also provided.

1. Power Dissipation.

The total power dissipation for the 8V49N211 is the sum of the core power plus the power dissipation due to the loading. The following is the power dissipation for $V_{DD_MAX} = 3.3V + 5\% = 3.465V$, which gives worst case results at 85°C.

NOTE: Please refer to Section 3 for details on calculating power dissipated in the outputs.

- Power (core)_{MAX} = $V_{DD_MAX} * (I_{DD_X_MAX} + I_{DDA_MAX}) = 3.465V * (132mA + 58mA) = \mathbf{658.35mW}$
- HCSL Output Power (output)_{MAX} = **44.5mW/Loaded Output pair**
 If all outputs are loaded, the total power is $5 * 44.5mW = \mathbf{222.5mW}$
 LVDS and LVCMOS Outputs Power (output)_{MAX} = $3.465V * 115mA = 398.475mW$

Total Power_{MAX} = 658.35mW + 222.5mW + 398.475mW = 1279.325mW

2. Junction Temperature.

Junction temperature, T_j, the temperature at the junction of the bond wire and bond pad, directly affects the reliability of the device. The maximum recommended junction temperature is 125°C. Limiting the internal transistor junction temperature, T_j, to 125°C ensures that the bond wire and bond pad temperature remains below 125°C.

The equation for T_j is as follows: $T_j = \theta_{JA} * Pd_total + T_A$

T_j = Junction Temperature

θ_{JA} = Junction-to-Ambient Thermal Resistance

Pd_{total} = Total Device Power Dissipation (example calculation is in section 1 above)

T_A = Ambient Temperature

In order to calculate junction temperature, the appropriate junction-to-ambient thermal resistance θ_{JA} must be used. Assuming no air flow and a multi-layer board, the appropriate value is 30.5°C/W per Table 7 below.

Therefore, T_j for an ambient temperature of 85°C with all outputs switching is:

$$85^\circ\text{C} + 1.279\text{W} * 30.5^\circ\text{C/W} = 124^\circ\text{C. This is below the limit of } 125^\circ\text{C.}$$

This calculation is only an example. T_j will obviously vary depending on the number of loaded outputs, supply voltage, air flow and the type of board (multi-layer).

Table 7. Thermal Resistance θ_{JA} for 56 Lead VFQFN, Forced Convection

θ_{JA} vs. Air Flow			
Meters per Second	0	1	2
Multi-Layer PCB, JEDEC Standard Test Boards	30.5°C/W	26.4°C/W	24.7°C/W

3. Calculations and Equations.

The purpose of this section is to calculate power dissipation on the IC per HCSL output pairs.

HCSL output driver circuit and termination are shown in *Figure 6*.

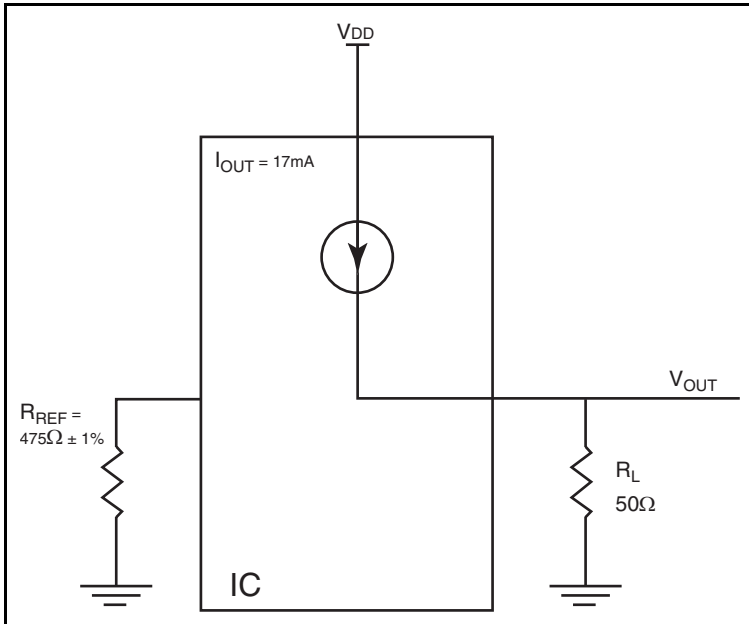


Figure 6. HCSL Driver Circuit and Termination

HCSL is a current steering output which sources a maximum of 17mA of current per output. To calculate worst case on-chip power dissipation, use the following equations which assume a 50Ω load to ground.

The highest power dissipation occurs at V_{DD_MAX} .

$$\text{Power} = (V_{DD_MAX} - V_{OUT}) * I_{OUT}$$

$$\text{since } V_{OUT} = I_{OUT} * R_L$$

$$\text{Power} = (V_{DD_MAX} - I_{OUT} * R_L) * I_{OUT}$$

$$= (3.465V - 17mA * 50\Omega) * 17mA$$

Total Power Dissipation per output pair = 44.5mW

Reliability Information

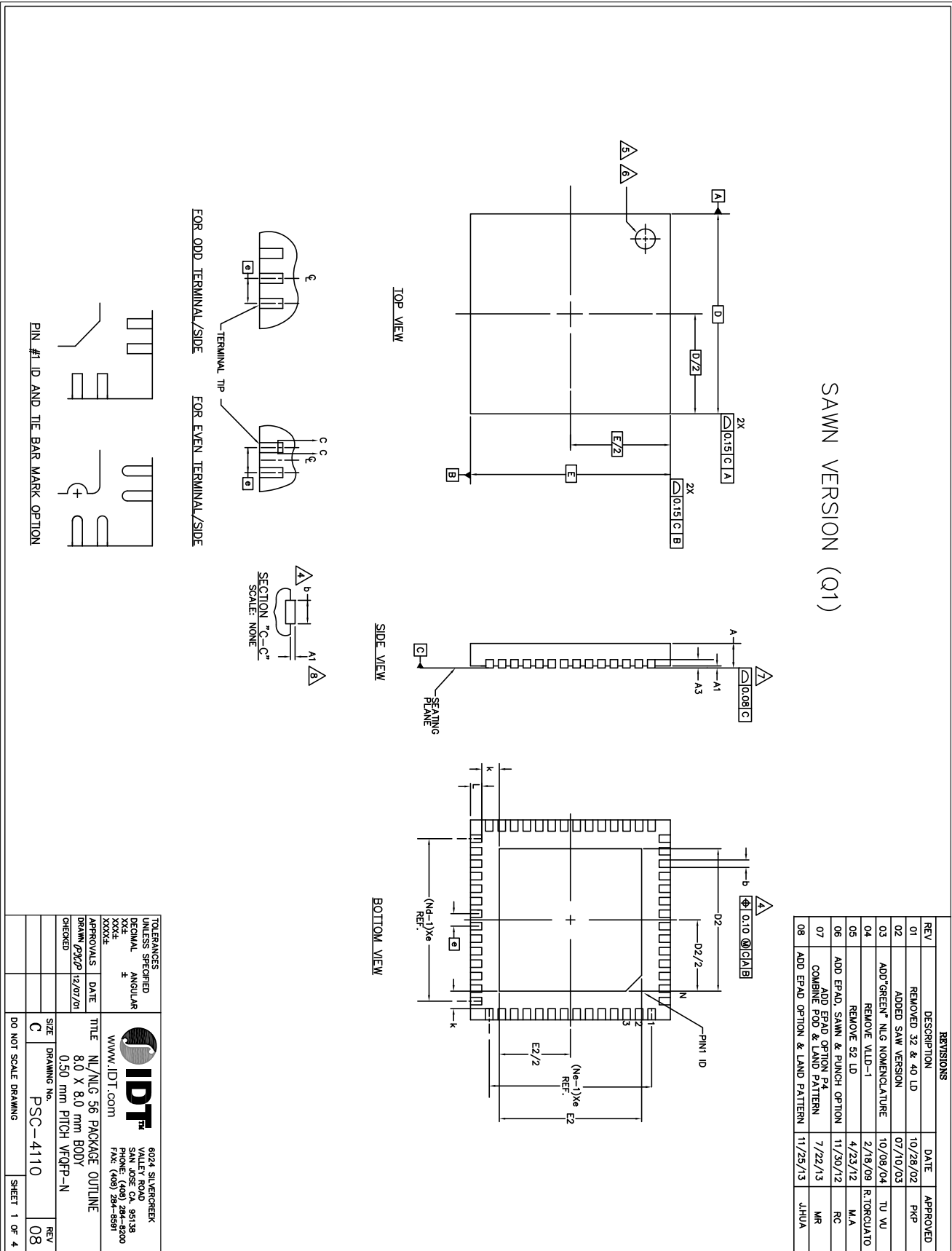
Table 8. θ_{JA} vs. Air Flow Table for a 56 Lead VFQFN

θ_{JA} vs. Air Flow			
Meters per Second	0	1	2
Multi-Layer PCB, JEDEC Standard Test Boards	30.5 °C/W	26.4°C/W	24.7°C/W

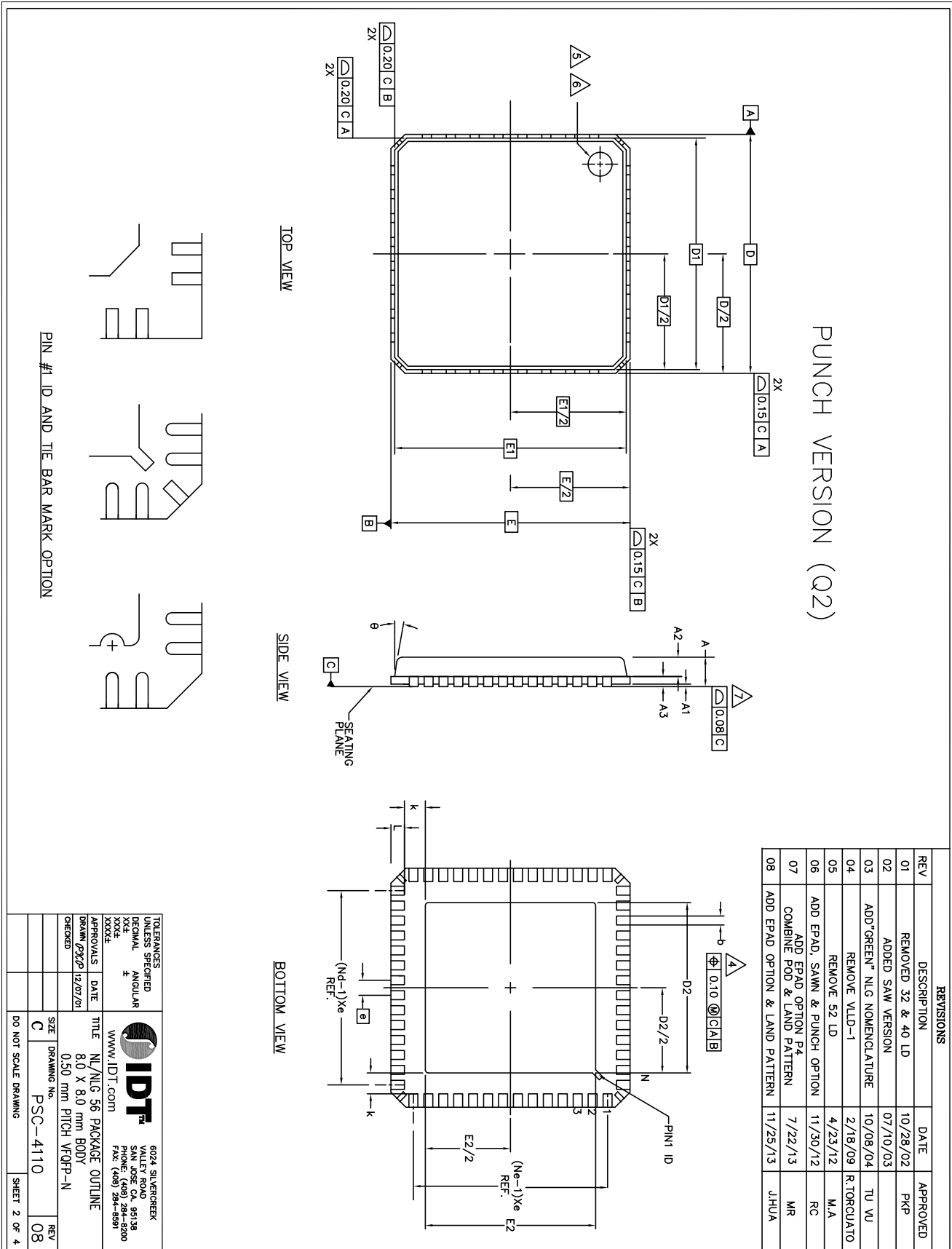
Transistor Count

The transistor count for 8V49N211 is: 174,888

56 Lead VFQFN Package Outline and Package Dimensions



56 Lead VFQFN Package Outline and Package Dimensions, continued



56 Lead VFQFN Package Outline and Package Dimensions, continued

REVISIONS			
REV	DESCRIPTION	DATE	APPROVED
01	REMOVED 32 & 40 LD	10/28/02	PIP
02	ADDED SAW VERSION	07/10/03	TU VU
03	ADD CREEK [®] NLG NOMENCLATURE	10/09/04	RC
04	REMOVE YLTD-1	2/19/09	R.RODRIGATO
05	REMOVE 52 LD	4/23/12	M.A
06	ADD EPAD, SAWM & PUNCH OPTION	11/20/12	RC
07	ADD EPAD OPTION P4 COMBINE FOOT & LAND PATTERN	7/22/13	MR
08	ADD EPAD OPTION & LAND PATTERN	11/25/13	JHKA

PUNCH OPTION

Q			
S ^y	X ^a	H ^b	Q
L	o	o	L
	MIN.	NOM.	MAX.
P1	-	-	0.60
D1	-	7.75 BASIC	-
E1	-	7.75 BASIC	-
A2	-	0.65	0.70

EPAD OPTION

S ^y	X ^a	H ^b	Q	P1			P2			P3			P4		
				MIN	NOM	MAX	MIN	NOM	MAX	MIN	NOM	MAX	MIN	NOM	MAX
E2	6.15	6.30	6.45	6.45	6.45	6.45	6.60	6.75	5.05	5.20	5.35	5.80	5.90	6.00	
D2	6.15	6.30	6.45	6.45	6.45	6.45	6.60	6.75	4.35	4.50	4.65	5.80	5.90	6.00	

P5			
S ^y	X ^a	H ^b	Q
L	o	o	L
E2	5.95	6.05	6.15
D2	5.95	6.05	6.15

COMMON DIMENSION

S ^y	X ^a	H ^b	Q	DIMENSION			N ^c	O ^d	E
L	o	o	L	MIN.	NOM.	MAX.			
Q				0.50	BSC		2		
N				56			2		
Nd				14			2		
Ne				14			2		
L				0.30	0.40	0.50	4		
b				0.18	0.25	0.30			
D2				SEE EPAD OPTION					
E2				SEE EPAD OPTION					
A				0.80	0.9	1.00			
A1				0.00	0.02	0.05			
A3				0.20 REF.					
D				8.00 BSC					
E				8.00 BSC					
Θ				-					12°
k				0.20					

- NOTES:
1. DIMENSIONING & TOLERANCING CONFORM TO ASME Y14.5M - 1994.
 2. N IS THE NUMBER OF TERMINALS.
Nd IS THE NUMBER OF TERMINALS IN X-DIRECTION &
Ne IS THE NUMBER OF TERMINALS IN Y-DIRECTION.
 3. ALL DIMENSIONS ARE IN MILLIMETERS.
 4. DIMENSION b APPLIES TO PLATED TERMINAL AND IS MEASURED BETWEEN 0.20 AND 0.30mm FROM TERMINAL TIP.
 5. THE PIN #1 IDENTIFIER MUST EXIST ON THE TOP SURFACE OF THE PACKAGE BY USING INDENTATION MARK OR OTHER FEATURE OF PACKAGE BODY.
 6. EXACT SHAPE AND SIZE OF THIS FEATURE IS OPTIONAL.
 7. APPLIED TO EXPOSED PAD AND TERMINALS. EXCLUDE EMBEDDED PART OF EXPOSED PAD FROM MEASURING.
 8. APPLIED ONLY FOR TERMINALS.
 9. NOT AN ACTUAL IO.

TOLERANCES UNLESS SPECIFIED			6024 SILVERCREEK VALLEY ROAD SAN JOSE CA 95138		
DECIMAL	ANGULAR		PHONE (408) 284-8200 FAX (408) 284-8881		
XXXX	Z		WWW.IDT.COM		
XXXXX					
APPROVALS	DATE	TITLE	SIZE	DRAWING No.	REV
DRAWN 09/20/02	12/07/01	8.0 X 8.0 mm BODY 0.50 mm PITCH VFQFN-N	C	PSC-4110	08
CHECKED					
DO NOT SCALE DRAWING			SHEET	3 OF 4	

Ordering Information

Table 9. Ordering Information Table

Part/Order Number	Marking	Package	Shipping Packaging	Temperature
8V49N211NLGI	IDT8V49N211NLGI	Lead-Free, 56-lead VFQFN	Tray	-40°C to 85°C
8V49N211NLGI8	IDT8V49N211NLGI	Lead-Free, 56-lead VFQFN	Tape & Reel	-40°C to 85°C

Revision History Sheet

Rev	Table	Page	Description of Change	Date
B		1	Features Section - updated Crystal bullet.	5/29/15
	T5	6	Crystal Characteristics Table - added note.	
	T6A	7	LVC MOS AC Electrical Characteristics Table - updated Crystal note.	
	T6B	8	LVDS AC Electrical Characteristics Table - updated Crystal note.	
	T6C	9	HCSL AC Electrical Characteristics Table - updated Crystal note.	
	T6D	10	PCI Express Jitter Specifications Table - updated Crystal note.	
		23	Schematic Layout - Updated first sentence in second paragraph.	
	24	Schematic Example - updated Crystal information.		



Corporate Headquarters
6024 Silver Creek Valley Road
San Jose, CA 95138 USA

Sales
1-800-345-7015 or 408-284-8200
Fax: 408-284-2775
www.IDT.com

Tech Support
email: clocks@idt.com

DISCLAIMER Integrated Device Technology, Inc. (IDT) and its subsidiaries reserve the right to modify the products and/or specifications described herein at any time and at IDT's sole discretion. All information in this document, including descriptions of product features and performance, is subject to change without notice. Performance specifications and the operating parameters of the described products are determined in the independent state and are not guaranteed to perform the same way when installed in customer products. The information contained herein is provided without representation or warranty of any kind, whether express or implied, including, but not limited to, the suitability of IDT's products for any particular purpose, an implied warranty of merchantability, or non-infringement of the intellectual property rights of others. This document is presented only as a guide and does not convey any license under intellectual property rights of IDT or any third parties.

IDT's products are not intended for use in applications involving extreme environmental conditions or in life support systems or similar devices where the failure or malfunction of an IDT product can be reasonably expected to significantly affect the health or safety of users. Anyone using an IDT product in such a manner does so at their own risk, absent an express, written agreement by IDT.

Integrated Device Technology, IDT and the IDT logo are registered trademarks of IDT. Product specification subject to change without notice. Other trademarks and service marks used herein, including protected names, logos and designs, are the property of IDT or their respective third party owners.

Copyright ©2015 Integrated Device Technology, Inc. All rights reserved.

Компания «Океан Электроники» предлагает заключение долгосрочных отношений при поставках импортных электронных компонентов на взаимовыгодных условиях!

Наши преимущества:

- Поставка оригинальных импортных электронных компонентов напрямую с производств Америки, Европы и Азии, а так же с крупнейших складов мира;
- Широкая линейка поставок активных и пассивных импортных электронных компонентов (более 30 млн. наименований);
- Поставка сложных, дефицитных, либо снятых с производства позиций;
- Оперативные сроки поставки под заказ (от 5 рабочих дней);
- Экспресс доставка в любую точку России;
- Помощь Конструкторского Отдела и консультации квалифицированных инженеров;
- Техническая поддержка проекта, помощь в подборе аналогов, поставка прототипов;
- Поставка электронных компонентов под контролем ВП;
- Система менеджмента качества сертифицирована по Международному стандарту ISO 9001;
- При необходимости вся продукция военного и аэрокосмического назначения проходит испытания и сертификацию в лаборатории (по согласованию с заказчиком);
- Поставка специализированных компонентов военного и аэрокосмического уровня качества (Xilinx, Altera, Analog Devices, Intersil, Interpoint, Microsemi, Actel, Aeroflex, Peregrine, VPT, Syfer, Eurofarad, Texas Instruments, MS Kennedy, Miteq, Cobham, E2V, MA-COM, Hittite, Mini-Circuits, General Dynamics и др.);

Компания «Океан Электроники» является официальным дистрибьютором и эксклюзивным представителем в России одного из крупнейших производителей разъемов военного и аэрокосмического назначения «JONHON», а так же официальным дистрибьютором и эксклюзивным представителем в России производителя высокотехнологичных и надежных решений для передачи СВЧ сигналов «FORSTAR».



JONHON

«JONHON» (основан в 1970 г.)

Разъемы специального, военного и аэрокосмического назначения:

(Применяются в военной, авиационной, аэрокосмической, морской, железнодорожной, горно- и нефтедобывающей отраслях промышленности)

«FORSTAR» (основан в 1998 г.)

ВЧ соединители, коаксиальные кабели,
кабельные сборки и микроволновые компоненты:

(Применяются в телекоммуникациях гражданского и специального назначения, в средствах связи, РЛС, а так же военной, авиационной и аэрокосмической отраслях промышленности).



Телефон: 8 (812) 309-75-97 (многоканальный)

Факс: 8 (812) 320-03-32

Электронная почта: ocean@oceanchips.ru

Web: <http://oceanchips.ru/>

Адрес: 198099, г. Санкт-Петербург, ул. Калинина, д. 2, корп. 4, лит. А