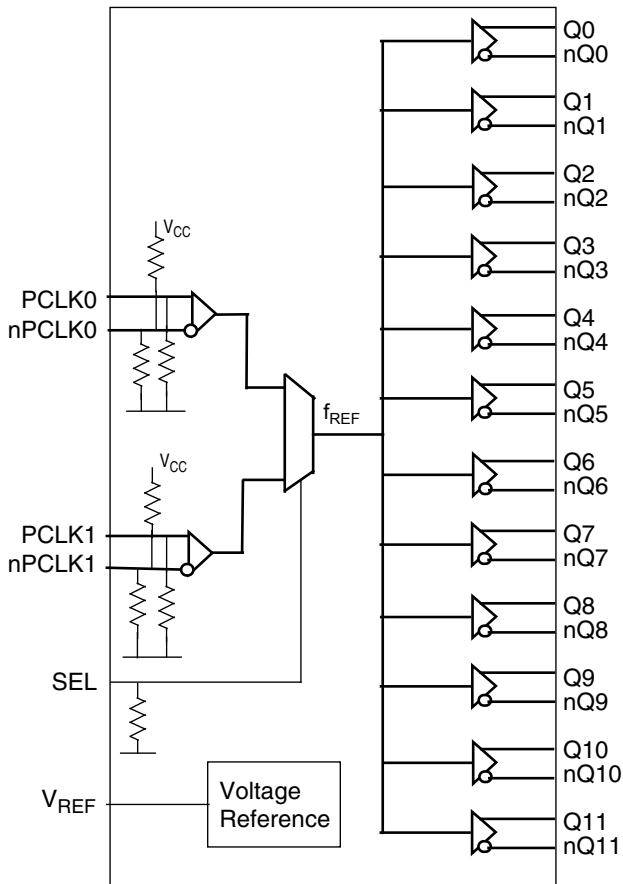


### General Description

The IDT8SLVP1212I is a high-performance, 12 output differential LVPECL fanout buffer. The device is designed for the fanout of high-frequency, very low additive phase-noise clock and data signals. The IDT8SLVP1212I is characterized to operate from a 3.3V and 2.5V power supply. Guaranteed output-to-output and part-to-part skew characteristics make the IDT8SLVP1212I ideal for those clock distribution applications demanding well-defined performance and repeatability. Two selectable differential inputs and twelve low skew outputs are available. The integrated bias voltage generators enables easy interfacing of single-ended signals to the device inputs. The device is optimized for low power consumption and low additive phase noise.

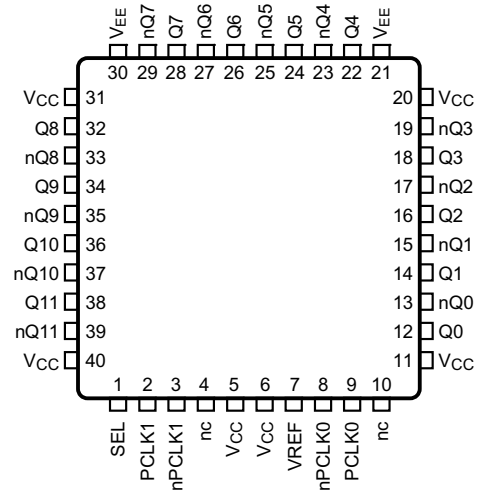
### Block Diagram



### Features

- Twelve low skew, low additive jitter LVPECL outputs
- Two selectable, differential clock inputs
- Differential pairs can accept the following differential input levels: LVDS, LVPECL, CML
- Maximum input clock frequency: 2GHz
- LVCMOS interface levels for the control input (input select)
- Output skew: 33ps (maximum)
- Propagation delay: 550ps (maximum)
- Low additive phase jitter, RMS at f<sub>REF</sub> = 156.25MHz, V<sub>PP</sub> = 1V, 12kHz-20MHz: 60fs (maximum)
- Full 3.3V and 2.5V supply voltage
- Device current consumption (I<sub>EE</sub>): 131mA (maximum)
- Available in Lead-free (RoHS 6), 40-Lead VFQFN package
- -40°C to 85°C ambient operating temperature
- Differential PCLK0, nPCLK0 and PCLK1, nPCLK1 pairs can also accept single-ended LVCMOS levels. See Applications section Wiring the Differential Input Levels to Accept Single-ended Levels (Figure 1A and Figure 1B)

### Pin Assignment



**IDT8SLVP1212I**  
**40-lead VFQFN**  
**6mm x 6mm x 0.925mm package body,**  
**2.9mm x 2.9mm E-Pad size**  
**NL Package, Top View**

**Table 1. Pin Descriptions**

| Number               | Name             | Type   |                 | Description   |
|----------------------|------------------|--------|-----------------|---|
| 1                    | SEL              | Input  | Pulldown        | Reference select control. See Table 3A for function. LVCMOS/LVTTL interface levels. |
| 2                    | PCLK1            | Input  | Pulldown        | Non-inverting LVPECL differential clock/data input.                                 |
| 3                    | nPCLK1           | Input  | Pulldown/Pullup | Inverting LVPECL differential clock/data input.                                     |
| 4, 10                | nc               | Unused |                 | Do not connect.   |
| 5, 6, 11, 20, 31, 40 | V <sub>CC</sub>  | Power  |                 | Power supply pins.  |
| 7                    | V <sub>REF</sub> | Output |                 | Bias voltage reference.   |
| 8                    | nPCLK0           | Input  | Pulldown/Pullup | Inverting LVPECL differential clock/data input.                                     |
| 9                    | PCLK0            | Input  | Pulldown        | Non-inverting LVPECL differential clock/data input.                                 |
| 12, 13               | Q0, nQ0          | Output |                 | Differential output pair 0. LVPECL interface levels.                                |
| 14, 15               | Q1, nQ1          | Output |                 | Differential output pair 1. LVPECL interface levels.                                |
| 16, 17               | Q2, nQ2          | Output |                 | Differential output pair 2. LVPECL interface levels.                                |
| 18, 19               | Q3, nQ3          | Output |                 | Differential output pair 3. LVPECL interface levels.                                |
| 21, 30               | V <sub>EE</sub>  | Power  |                 | Negative power supply pins.   |
| 22, 23               | Q4, nQ4          | Output |                 | Differential output pair 4. LVPECL interface levels.                                |
| 24, 25               | Q5, nQ5          | Output |                 | Differential output pair 5. LVPECL interface levels.                                |
| 26, 27               | Q6, nQ6          | Output |                 | Differential output pair 6. LVPECL interface levels.                                |
| 28, 29               | Q7, nQ7          | Output |                 | Differential output pair 7. LVPECL interface levels.                                |
| 32, 33               | Q8, nQ8          | Output |                 | Differential output pair 8. LVPECL interface levels.                                |
| 34, 35               | Q9, nQ9          | Output |                 | Differential output pair 9. LVPECL interface levels.                                |
| 36, 37               | Q10, nQ10        | Output |                 | Differential output pair 10. LVPECL interface levels.                               |
| 38, 39               | Q11, nQ11        | Output |                 | Differential output pair 11. LVPECL interface levels.                               |

NOTE: *Pulldown* and *Pullup* refers to an internal input resistors. See Table 2, *Pin Characteristics*, for typical values.

**Table 2. Pin Characteristics**

| Symbol                | Parameter               | Test Conditions | Minimum | Typical | Maximum | Units |
|-----------------------|-------------------------|-----------------|---------|---------|---------|-------|
| C <sub>IN</sub>       | Input Capacitance       |                 |         | 2       |         | pF    |
| R <sub>PULLDOWN</sub> | Input Pulldown Resistor |                 |         | 51      |         | kΩ    |
| R <sub>PULLUP</sub>   | Input Pullup Resistor   |                 |         | 51      |         | kΩ    |

**Function Table****Table 3. SEL Input Section Function Table**

| Input       | Operation  |
|-------------|--|
| SEL         |  |
| 0 (default) | PCLK0, nPCLK0 is the selected differential clock input |
| 1           | PCLK1, nPCLK1 is the selected differential clock input |

NOTE: SEL is an asynchronous control.

## Absolute Maximum Ratings

NOTE: Stresses beyond those listed under *Absolute Maximum Ratings* may cause permanent damage to the device. These ratings are stress specifications only. Functional operation of the product at these conditions or any conditions beyond those listed in the *DC Characteristics* or *AC Characteristics* is not implied. Exposure to absolute maximum rating conditions for extended periods may affect product reliability.

| Item   | Rating                   |
|--|--------------------------|
| Supply Voltage, $V_{CC}$                                       | 4.6V                     |
| Inputs, $V_I$  | -0.5V to $V_{CC} + 0.5V$ |
| Outputs, $I_O$ (LVPECL)<br>Continuous Current<br>Surge Current | 50mA<br>100mA            |
| Maximum Junction Temperature, $T_{J,MAX}$                      | 125 °C                   |
| Storage Temperature, $T_{STG}$                                 | -65°C to 150°C           |
| ESD - Human Body Model (NOTE 1)                                | 2000V                    |
| ESD - Charged Device Model (NOTE 1)                            | 500V                     |

NOTE 1: According to JEDEC/JESD 22-A114/22-C101. ESD ratings are target specifications.

## DC Electrical Characteristics

**Table 4A. Power Supply DC Characteristics,  $V_{CC} = 3.3V \pm 5\%$ ,  $V_{EE} = 0V$ ,  $T_A = -40^\circ C$  to  $85^\circ C$**

| Symbol   | Parameter            | Test Conditions  | Minimum | Typical | Maximum | Units |
|----------|----------------------|--|---------|---------|---------|-------|
| $V_{CC}$ | Power Supply Voltage |  | 3.135   | 3.3V    | 3.465   | V     |
| $I_{EE}$ | Power Supply Current |  |         | 110     | 131     | mA    |
| $I_{CC}$ | Power Supply Current | Q[0:11] terminated $50\Omega \pm 1\%$ to $V_{CC} - 2V$ |         | 490     | 550     | mA    |

**Table 4B. Power Supply DC Characteristics,  $V_{CC} = 2.5V \pm 5\%$ ,  $V_{EE} = 0V$ ,  $T_A = -40^\circ C$  to  $85^\circ C$**

| Symbol   | Parameter            | Test Conditions  | Minimum | Typical | Maximum | Units |
|----------|----------------------|--|---------|---------|---------|-------|
| $V_{CC}$ | Power Supply Voltage |  | 2.375   | 2.5V    | 2.625   | V     |
| $I_{EE}$ | Power Supply Current |  |         | 104     | 124     | mA    |
| $I_{CC}$ | Power Supply Current | Q[0:11] terminated $50\Omega \pm 1\%$ to $V_{CC} - 2V$ |         | 490     | 550     | mA    |

**Table 4C. LVCMOS/LVTTL DC Characteristics,  $V_{CC} = 3.3V \pm 5\%$  or  $2.5V \pm 5\%$ ,  $V_{EE} = 0V$ ,  $T_A = -40^\circ C$  to  $85^\circ C$**

| Symbol   | Parameter          | Test Conditions                                   | Minimum | Typical | Maximum        | Units   |
|----------|--------------------|---|---------|---------|----------------|---------|
| $V_{IH}$ | Input High Voltage | $V_{CC} = 3.465V$                                 | 2.2     |         | $V_{CC} + 0.3$ | V       |
|          |                    | $V_{CC} = 2.625V$                                 | 1.7     |         | $V_{CC} + 0.3$ | V       |
| $V_{IL}$ | Input Low Voltage  | $V_{CC} = 3.465V$                                 | -0.3    |         | 0.8            | V       |
|          |                    | $V_{CC} = 2.625V$                                 | -0.3    |         | 0.7            | V       |
| $I_{IH}$ | Input High Current | SEL $V_{CC} = V_{IN} = 3.465V$ or $2.625V$        |         |         | 150            | $\mu A$ |
| $I_{IL}$ | Input Low Current  | SEL $V_{CC} = 3.465V$ or $2.625V$ , $V_{IN} = 0V$ | -10     |         |                | $\mu A$ |

**Table 4D. LVPECL DC Characteristics,  $V_{CC} = 3.3V \pm 5\%$ ,  $V_{EE} = 0V$ ,  $T_A = -40^\circ C$  to  $85^\circ C$** 

| Symbol    | Parameter                                |                                | Test Conditions                | Minimum         | Typical         | Maximum         | Units   |
|-----------|--|--------------------------------|--------------------------------|-----------------|-----------------|-----------------|---------|
| $I_{IH}$  | Input High Current                       | PCLK0, nPCLK0<br>PCLK1, nPCLK1 | $V_{CC} = V_{IN} = 3.465V$     |                 |                 | 150             | $\mu A$ |
| $I_{IL}$  | Input Low Current                        | PCLK0, PCLK1                   | $V_{CC} = 3.465V, V_{IN} = 0V$ | -10             |                 |                 | $\mu A$ |
|           |  | nPCLK0, nPCLK1                 | $V_{CC} = 3.465V, V_{IN} = 0V$ | -150            |                 |                 | $\mu A$ |
| $V_{REF}$ | Reference Voltage for Input Bias; NOTE 1 |                                | $I_{REF} = 2mA$                | $V_{CC} - 1.6$  | $V_{CC} - 1.26$ | $V_{CC} - 1.1$  | V       |
| $V_{OH}$  | Output High Voltage; NOTE 2              |                                |                                | $V_{CC} - 1.26$ | $V_{CC} - 0.84$ | $V_{CC} - 0.6$  | V       |
| $V_{OL}$  | Output Low Voltage; NOTE 2               |                                |                                | $V_{CC} - 1.7$  | $V_{CC} - 1.5$  | $V_{CC} - 1.28$ | V       |

NOTE: Input and output parameters vary 1:1 with  $V_{CC}$ .

NOTE 1:  $V_{REF}$  is for  $3.3V \pm 5\%$   $V_{CC}$  only. To obtain a bias voltage for  $V_{CC} = 2.5V \pm 5\%$  application, an external voltage supply is recommended.

NOTE 2: Outputs terminated with  $50\Omega$  to  $V_{CC} - 2V$ .

**Table 4E. LVPECL DC Characteristics,  $V_{CC} = 2.5V \pm 5\%$ ,  $V_{EE} = 0V$ ,  $T_A = -40^\circ C$  to  $85^\circ C$** 

| Symbol    | Parameter                                |                                | Test Conditions                | Minimum         | Typical         | Maximum         | Units   |
|-----------|--|--------------------------------|--------------------------------|-----------------|-----------------|-----------------|---------|
| $I_{IH}$  | Input High Current                       | PCLK0, nPCLK0<br>PCLK1, nPCLK1 | $V_{CC} = V_{IN} = 2.625V$     |                 |                 | 150             | $\mu A$ |
| $I_{IL}$  | Input Low Current                        | PCLK0, PCLK1                   | $V_{CC} = 2.625V, V_{IN} = 0V$ | -10             |                 |                 | $\mu A$ |
|           |  | nPCLK0, nPCLK1                 | $V_{CC} = 2.625V, V_{IN} = 0V$ | -150            |                 |                 | $\mu A$ |
| $V_{REF}$ | Reference Voltage for Input Bias; NOTE 1 |                                | $I_{REF} = 2mA$                | $V_{CC} - 1.6$  | $V_{CC} - 1.26$ | $V_{CC} - 1.1$  | V       |
| $V_{OH}$  | Output High Voltage; NOTE 2              |                                |                                | $V_{CC} - 1.26$ | $V_{CC} - 0.84$ | $V_{CC} - 0.6$  | V       |
| $V_{OL}$  | Output Low Voltage; NOTE 2               |                                |                                | $V_{CC} - 1.7$  | $V_{CC} - 1.47$ | $V_{CC} - 1.28$ | V       |

NOTE: Input and output parameters vary 1:1 with  $V_{CC}$ .

NOTE 1:  $V_{REF}$  is for  $3.3V \pm 5\%$   $V_{CC}$  only. To obtain a bias voltage for  $V_{CC} = 2.5V \pm 5\%$  application, an external voltage supply is recommended.

NOTE 2: Outputs terminated with  $50\Omega$  to  $V_{CC} - 2V$ .

## AC Electrical Characteristics

**Table 5. AC Electrical Characteristics,  $V_{CC} = 3.3V \pm 5\%$  or  $2.5V \pm 5\%$ ,  $V_{EE} = 0V$ ,  $T_A = -40^\circ C$  to  $85^\circ C$**

| Symbol              | Parameter   | Test Conditions   | Minimum | Typical | Maximum        | Units |
|---------------------|---|---|---------|---------|----------------|-------|
| $f_{REF}$           | Input Frequency<br>PCLK[0:1],<br>nPCLK[0:1]                                     |   |         |         | 2              | GHz   |
| $\Delta V/\Delta t$ | Input Edge Rate<br>PCLK[0:1],<br>nPCLK[0:1]                                     |   | 1.5     |         |                | V/ns  |
| $t_{PD}$            | Propagation Delay; NOTE 1   | PCLKx, nPCLKx to any Qx, nQx<br>for $V_{PP} = 0.1V$ or $0.3V$                                 | 230     | 360     | 550            | ps    |
| MUX_ISOLATION       | MUX Isolation   | $f_{REF} = 100MHz$  |         | 70      |                | dB    |
| $t_{sk(o)}$         | Output Skew; NOTE 2, 3  |   |         | 17      | 33             | ps    |
| $t_{sk(p)}$         | Pulse Skew  | $f_{REF} = 100MHz$  |         | 10      | 50             | ps    |
| $t_{sk(pp)}$        | Part-to-Part Skew; NOTE 3, 4  |   |         |         | 150            | ps    |
| $t_{JIT}$           | Buffer Additive Phase Jitter,<br>RMS; refer to Additive Phase<br>Jitter Section | $f_{REF} = 122.88MHz$ ,<br>Square Wave, $V_{PP} = 0.8V$ ,<br>Integration Range: 1kHz– 40MHz   |         | 90      |                | fs    |
|                     |   | $f_{REF} = 122.88MHz$ ,<br>Square Wave, $V_{PP} = 0.8V$ , Integration<br>Range: 10kHz – 20MHz |         | 60      |                | fs    |
|                     |   | $f_{REF} = 122.88MHz$ ,<br>Square Wave, $V_{PP} = 0.8V$ , Integration<br>Range: 12kHz – 20MHz |         | 55      |                | fs    |
|                     |   | $f_{REF} = 156.25MHz$ ,<br>Square Wave, $V_{PP} = 1V$ , Integration<br>Range: 1kHz– 40MHz     |         | 61      | 76             | fs    |
|                     |   | $f_{REF} = 156.25MHz$ ,<br>Square Wave, $V_{PP} = 1V$ , Integration<br>Range: 10kHz – 20MHz   |         | 45      | 60             | fs    |
|                     |   | $f_{REF} = 156.25MHz$ ,<br>Square Wave, $V_{PP} = 1V$ , Integration<br>Range: 12kHz – 20MHz   |         | 45      | 60             | fs    |
|                     |   | $f_{REF} = 156.25MHz$ ,<br>Square Wave, $V_{PP} = 0.5V$ , Integration<br>Range: 1kHz– 40MHz   |         | 60      | 90             | fs    |
|                     |   | $f_{REF} = 156.25MHz$ ,<br>Square Wave, $V_{PP} = 0.5V$ , Integration<br>Range: 10kHz – 20MHz |         | 45      | 80             | fs    |
|                     |   | $f_{REF} = 156.25MHz$ ,<br>Square Wave, $V_{PP} = 0.5V$ , Integration<br>Range: 12kHz – 20MHz |         | 45      | 80             | fs    |
| $t_R / t_F$         | Output Rise/ Fall Time  | 20% to 80%  | 70      | 110     | 170            | ps    |
| $V_{PP}$            | Differential Input Voltage;<br>NOTE 5, 7  | $f < 1.5GHz$  | 0.1     |         | 1.5            | V     |
|                     |   | $f > 1.5GHz$  | 0.2     |         | 1.5            | V     |
| $V_{CMR}$           | Common Mode Input<br>Voltage; NOTE 5, 6, 7                                      |   | 1.0     |         | $V_{CC} - 0.3$ | V     |
| $V_{O(pp)}$         | Output Voltage Swing,<br>Peak-to-Peak   | $V_{CC} = 3.3V \pm 5\%$ , $f_{REF} \leq 2GHz$   | 0.45    | 0.68    | 0.90           | V     |
|                     |   | $V_{CC} = 2.5V \pm 5\%$ , $f_{REF} \leq 2GHz$   | 0.45    | 0.68    | 0.90           | V     |
| $V_{DIFF\_OUT}$     | Differential Output Voltage<br>Swing, Peak-to-Peak                              | $V_{CC} = 3.3V \pm 5\%$ , $f_{REF} \leq 2GHz$   | 0.9     | 1.36    | 1.8            | V     |
|                     |   | $V_{CC} = 2.5V \pm 5\%$ , $f_{REF} \leq 2GHz$   | 0.9     | 1.36    | 1.8            | V     |

NOTES on next page.

NOTE: Electrical parameters are guaranteed over the specified ambient operating temperature range, which is established when the device is mounted in a test socket with maintained transverse airflow greater than 500 lpm. The device will meet specifications after thermal equilibrium has been reached under these conditions.

NOTE 1: Measured from the differential input crosspoint to the differential output crosspoint.

NOTE 2: Defined as skew between outputs at the same supply voltage and with equal load conditions. Measured at the differential crosspoints.

NOTE 3: This parameter is defined in accordance with JEDEC Standard 65.

NOTE 4: Defined as skew between outputs on different devices operating at the same supply voltage, same frequency, same temperature and with equal load conditions. Using the same type of inputs on each device, the outputs are measured at the differential crosspoints.

NOTE 5:  $V_{IL}$  should not be less than -0.3V.  $V_{IH}$  should not be higher than  $V_{CC}$ .

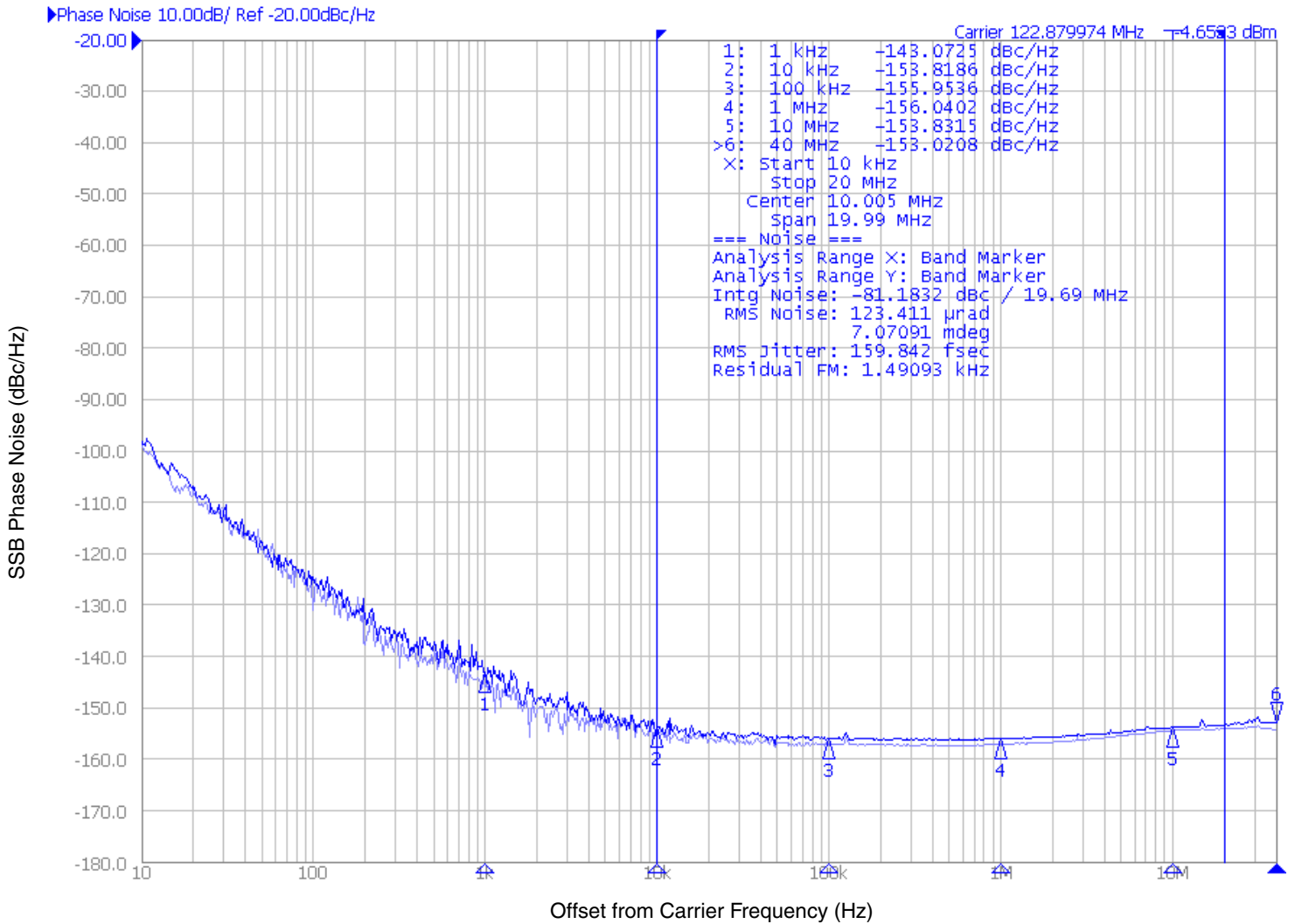
NOTE 6: Common mode input voltage is defined at the crosspoint.

NOTE 7: For single-ended LVCMOS input applications, please refer to the Applications Information, Wiring the Differential Input to accept single-ended levels, Figures 1A and 1B.

### Additive Phase Jitter (3.3V at 122.88MHz)

The spectral purity in a band at a specific offset from the fundamental compared to the power of the fundamental is called the **dBc Phase Noise**. This value is normally expressed using a Phase noise plot and is most often the specified plot in many applications. Phase noise is defined as the ratio of the noise power present in a 1Hz band at a specified offset from the fundamental frequency to the power value of the fundamental. This ratio is expressed in decibels (dBm) or a ratio

of the power in the 1Hz band to the power in the fundamental. When the required offset is specified, the phase noise is called a **dBc** value, which simply means dBm at a specified offset from the fundamental. By investigating jitter in the frequency domain, we get a better understanding of its effects on the desired application over the entire time record of the signal. It is mathematically possible to calculate an expected bit error rate given a phase noise plot.



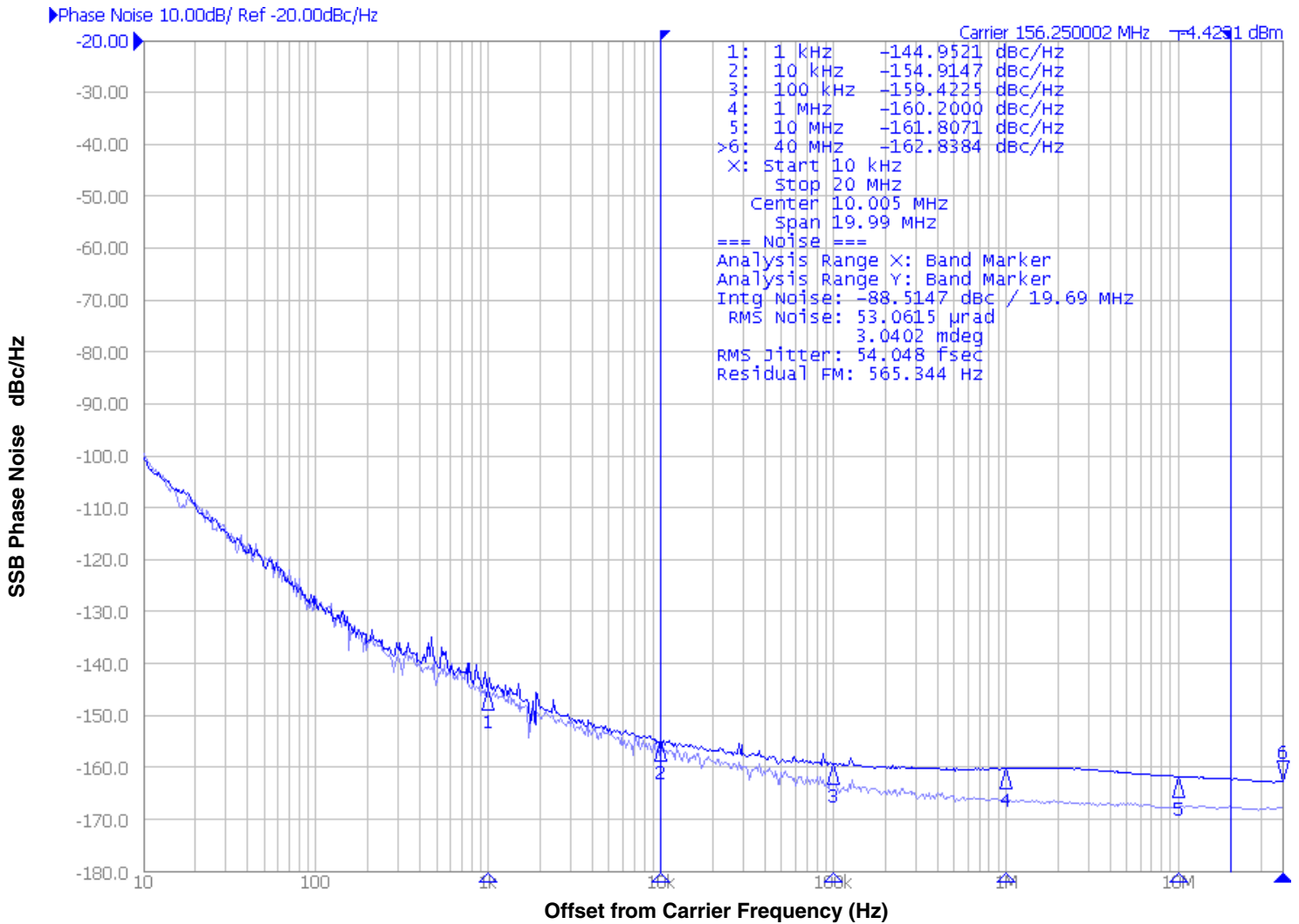
As with most timing specifications, phase noise measurements have issues relating to the limitations of the measurement equipment. The noise floor of the equipment can be higher or lower than the noise floor of the device. Additive phase noise is dependent on both the noise floor of the input source and measurement equipment.

Measured using a Wenzel 122.88MHz Oscillator as the input source.

### Additive Phase Jitter (3.3V at 156.25MHz)

The spectral purity in a band at a specific offset from the fundamental compared to the power of the fundamental is called the **dBc Phase Noise**. This value is normally expressed using a Phase noise plot and is most often the specified plot in many applications. Phase noise is defined as the ratio of the noise power present in a 1Hz band at a specified offset from the fundamental frequency to the power value of the fundamental. This ratio is expressed in decibels (dBm) or a ratio

of the power in the 1Hz band to the power in the fundamental. When the required offset is specified, the phase noise is called a **dBc** value, which simply means dBm at a specified offset from the fundamental. By investigating jitter in the frequency domain, we get a better understanding of its effects on the desired application over the entire time record of the signal. It is mathematically possible to calculate an expected bit error rate given a phase noise plot.

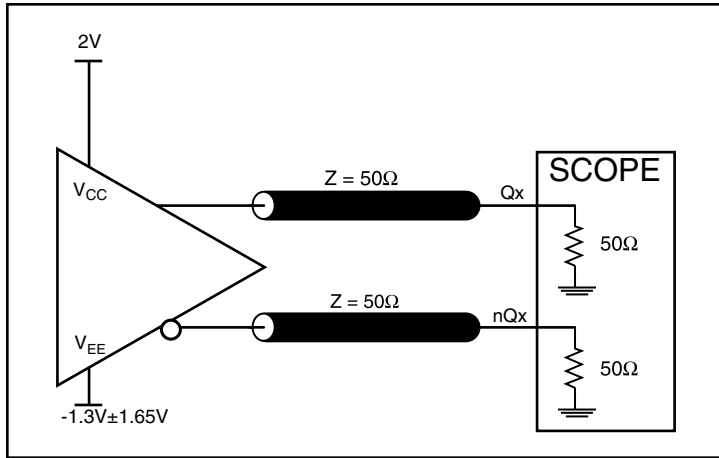


As with most timing specifications, phase noise measurements have issues relating to the limitations of the measurement equipment. The noise floor of the equipment can be higher or lower than the noise floor of the device. Additive phase noise is dependent on both the noise floor of the input source and measurement equipment.

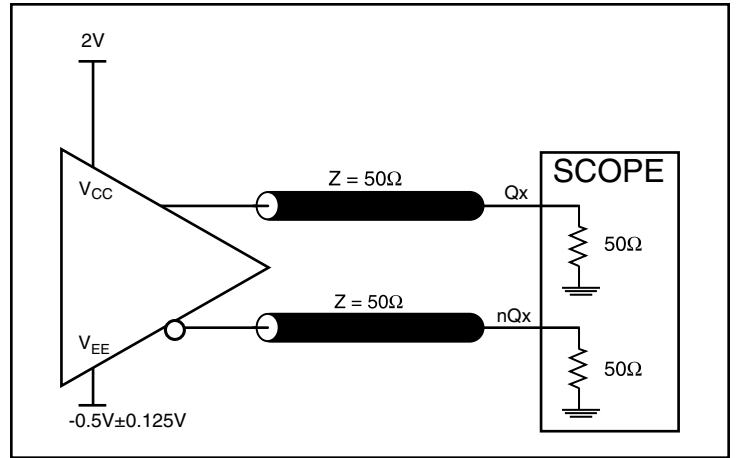
Measured using a Wenzel 156.25MHz Oscillator as the input source.



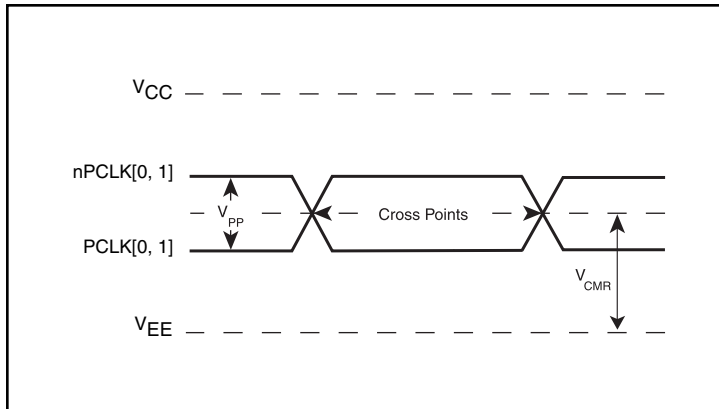
### Parameter Measurement Information



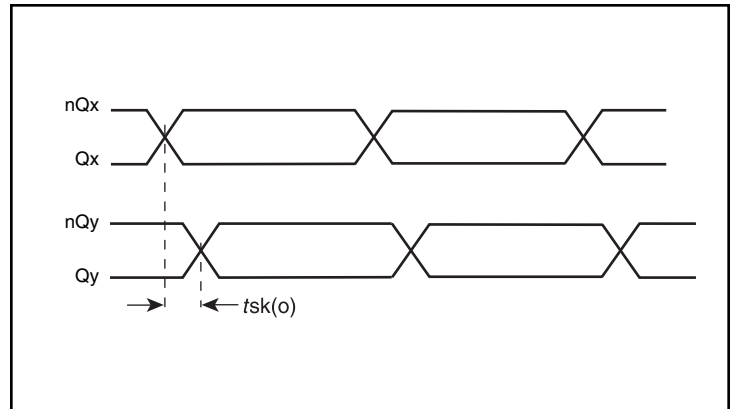
3.3V LVPECL Output Load AC Test Circuit



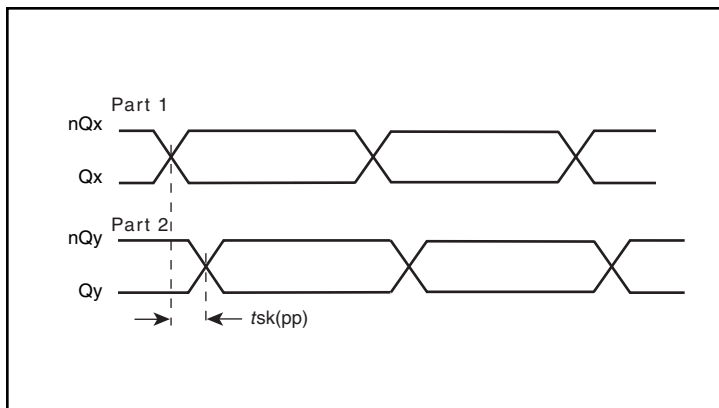
2.5V LVPECL Output Load AC Test Circuit



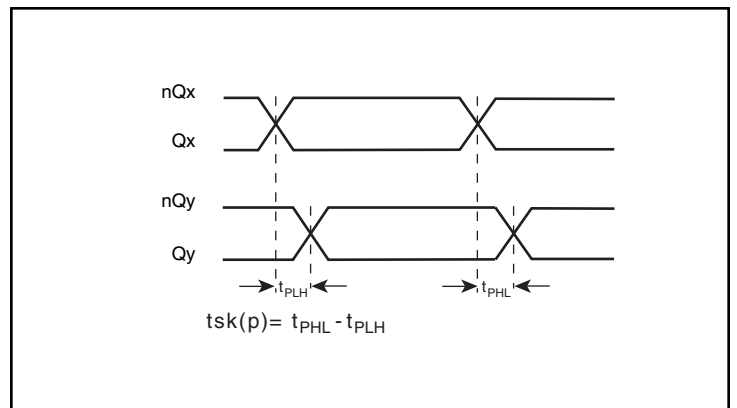
Differential Input Level



Output Skew

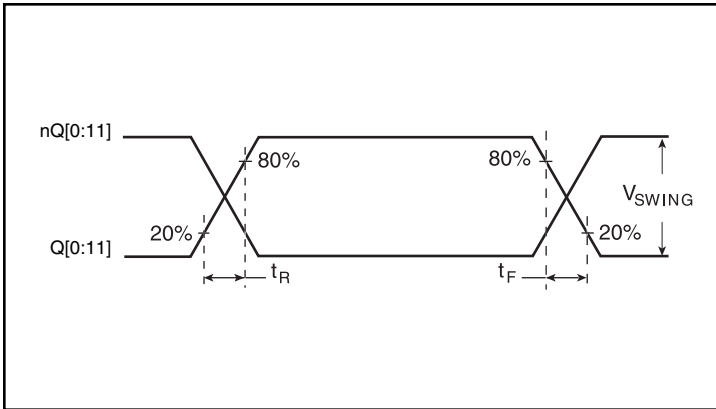


Part-to-Part Skew

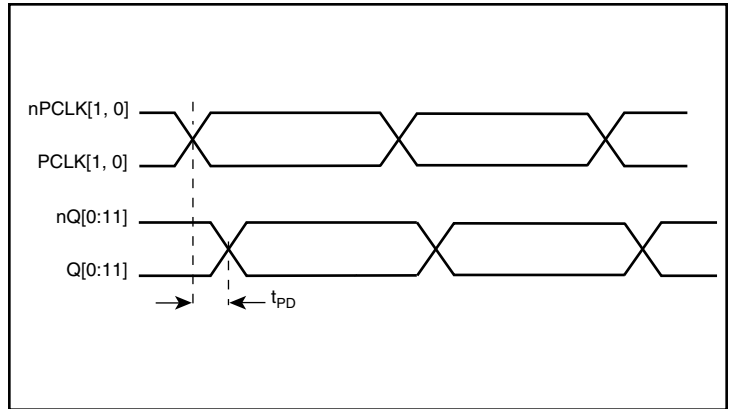


Pulse Skew

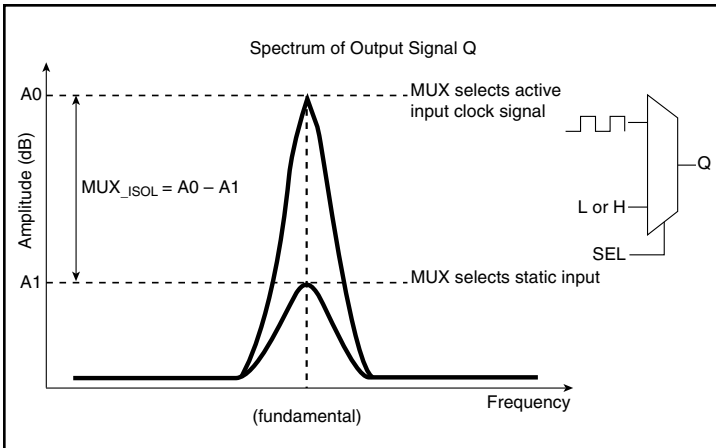
### Parameter Measurement Information, continued



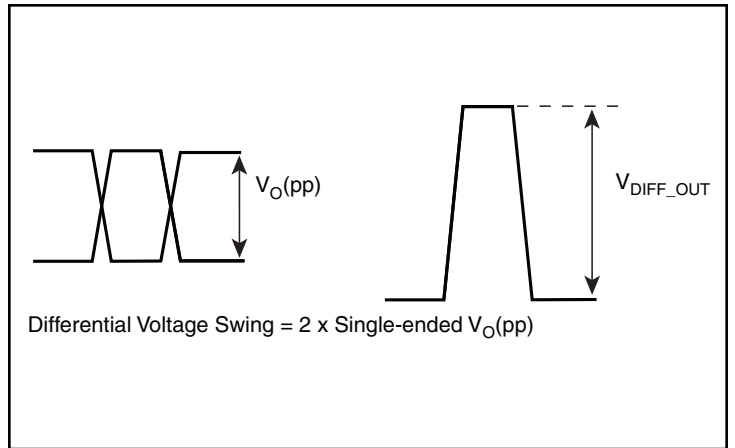
**Output Rise/Fall Time**



**Propagation Delay**



**MUX Isolation**



**Output Voltage Swing**

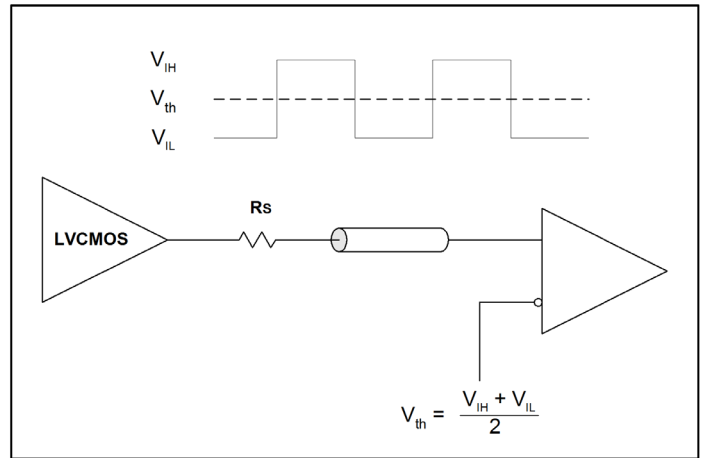
## Applications Information

### Wiring the Differential Input to Accept Single-Ended Levels

The IDT8SLVP1212I inputs can be interfaced to LVPECL, LVDS, CML or LVC MOS drivers. *Figure 1A* illustrates how to dc couple a single LVC MOS input to the IDT8SLVP1212I. The value of the series resistance  $R_S$  is calculated as the difference between the transmission line impedance and the driver output impedance. This resistor should be placed close to the LVC MOS driver. To avoid cross-coupling of single-ended LVC MOS signals, apply the LVC MOS signals to no more than one PCLK input.

A practical method to implement  $V_{th}$  is shown in *Figure 1B* below. The reference voltage  $V_{th} = V_1 = V_{CC}/2$ , is generated by the bias resistors  $R_1$  and  $R_2$ . The bypass capacitor ( $C_1$ ) is used to help filter noise on the DC bias. This bias circuit should be located as close to the input pin as possible.

The ratio of  $R_1$  and  $R_2$  might need to be adjusted to position the  $V_1$  in the center of the input voltage swing. For example, if the input clock swing is 2.5V and  $V_{CC} = 3.3V$ ,  $R_1$  and  $R_2$  value should be adjusted to set  $V_1$  at 1.25V. The values below apply when both the single-ended swing and  $V_{CC}$  are at the same voltage.



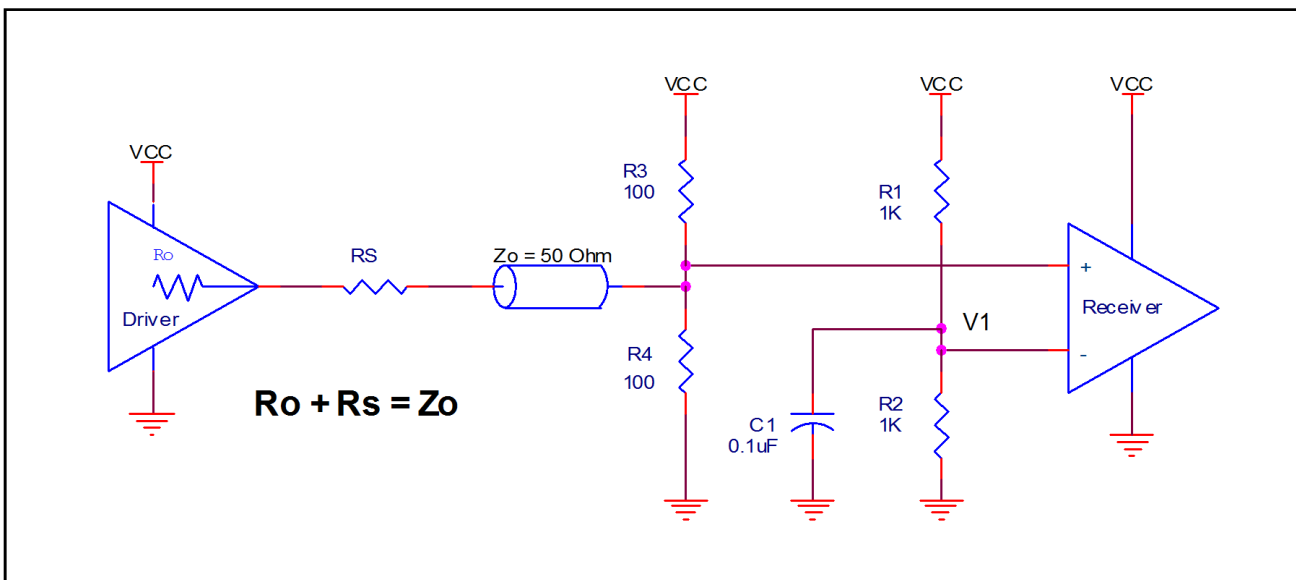
**Figure 1A. DC-Coupling a Single LVC MOS Input to the IDT8SLVP1212I**

When using single-ended signaling, the noise rejection benefits of differential signaling are reduced. Even though the differential input can handle full rail LVC MOS signaling, it is recommended that the amplitude be reduced, particularly if both input references are LVC MOS to minimize cross talk. The datasheet specifies a lower differential amplitude, however this only applies to differential signals. For single-ended applications, the swing can be larger, however  $V_{IL}$  cannot be less than  $-0.3V$  and  $V_{IH}$  cannot be more than  $V_{CC} + 0.3V$ .

*Figure 1B* shows a way to attenuate the PCLK input level by a factor of two as well as matching the transmission line between the LVC MOS driver and the IDT8SLVP1212I at both the source and the

load. This configuration requires that the sum of the output impedance of the driver ( $R_o$ ) and the series resistance ( $R_s$ ) equals the transmission line impedance.  $R_3$  and  $R_4$  in parallel should equal the transmission line impedance; for most  $50\Omega$  applications,  $R_3$  and  $R_4$  will be  $100\Omega$ . The values of the resistors can be increased to reduce the loading for slower and weaker LVC MOS driver.

Though some of the recommended components of *Figure 1B* might not be used, the pads should be placed in the layout so that they can be utilized for debugging purposes. The datasheet specifications are characterized and guaranteed by using a differential signal.



**Figure 1B. Alternative DC Coupling a Single LVC MOS Input to the IDT8SLVP1212I**

## Recommendations for Unused Input and Output Pins

### Inputs:

#### PCLKx/nPCLKx Inputs

For applications not requiring the use of a differential input, both the PCLKx and nPCLKx pins can be left floating. Though not required, but for additional protection, a 1k $\Omega$  resistor can be tied from PCLKx to ground. For applications

### Outputs:

#### LVPECL Outputs

All unused LVPECL outputs can be left floating. We recommend that there is no trace attached. Both sides of the differential output pair should either be left floating or terminated.

### 3.3V LVPECL Clock Input Interface

The PCLK /nPCLK accepts LVPECL, LVDS, CML and other differential signals. Both differential outputs must meet the  $V_{PP}$  and  $V_{CMR}$  input requirements. Figures 2A to 2E show interface examples for the PCLK/ nPCLK input driven by the most common driver types.

The input interfaces suggested here are examples only. If the driver is from another vendor, use their termination recommendation. Please consult with the vendor of the driver component to confirm the driver termination requirements.

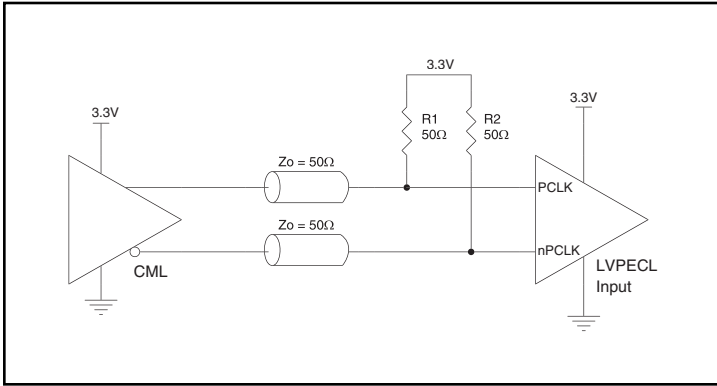


Figure 2A. PCLK/nPCLK Input Driven by a CML Driver

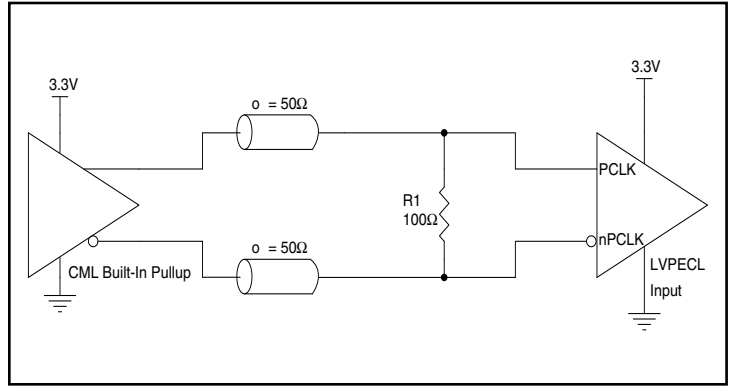


Figure 2B. PCLK/nPCLK Input Driven by a Built-In Pullup CML Driver

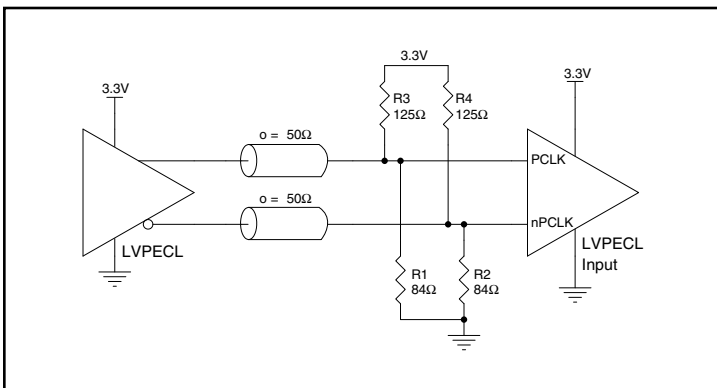


Figure 2C. PCLK/nPCLK Input Driven by a 3.3V LVPECL Driver

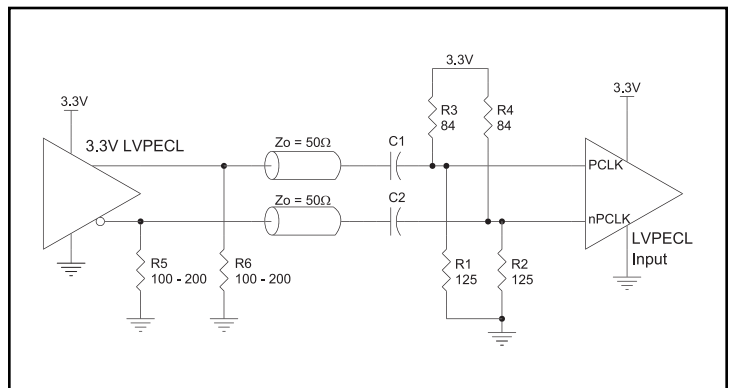


Figure 2D. PCLK/nPCLK Input Driven by a 3.3V LVPECL Driver with AC Couple

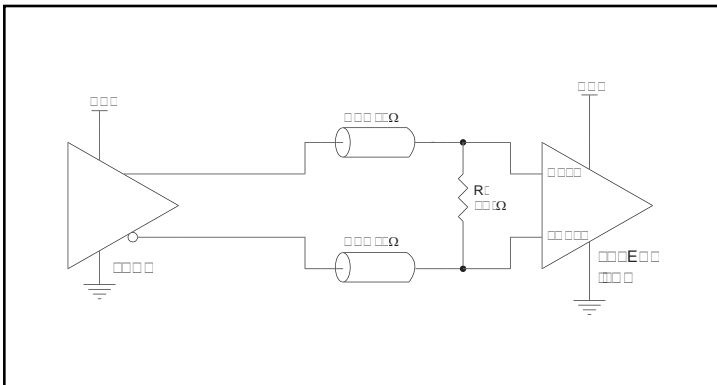


Figure 2E. PCLK/nPCLK Input Driven by a 3.3V LVDS Driver

### 2.5V LVPECL Clock Input Interface

The PCLK /nPCLK accepts LVPECL, LVDS, CML and other differential signals. Both differential outputs must meet the  $V_{PP}$  and  $V_{CMR}$  input requirements. Figures 3A to 3E show interface examples for the PCLK/ nPCLK input driven by the most common driver types.

The input interfaces suggested here are examples only. If the driver is from another vendor, use their termination recommendation. Please consult with the vendor of the driver component to confirm the driver termination requirements.

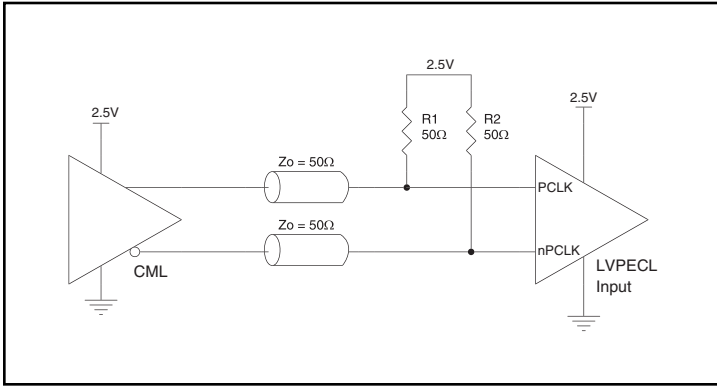


Figure 3A. PCLK/nPCLK Input Driven by a CML Driver

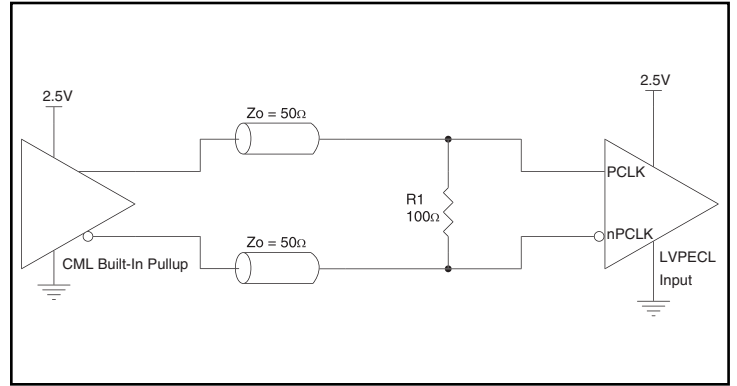


Figure 3B. PCLK/nPCLK Input Driven by a Built-In Pullup CML Driver

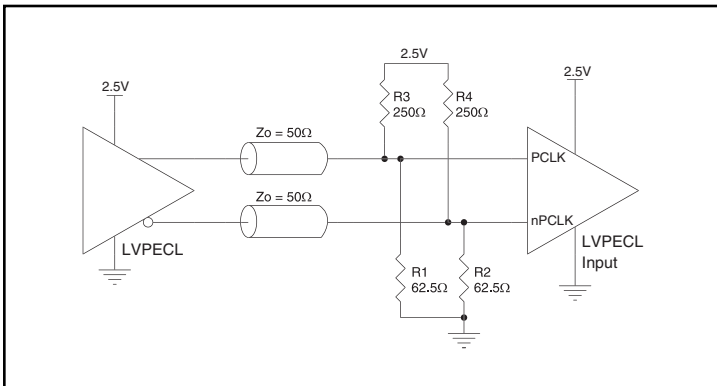


Figure 3C. PCLK/nPCLK Input Driven by a 2.5V LVPECL Driver

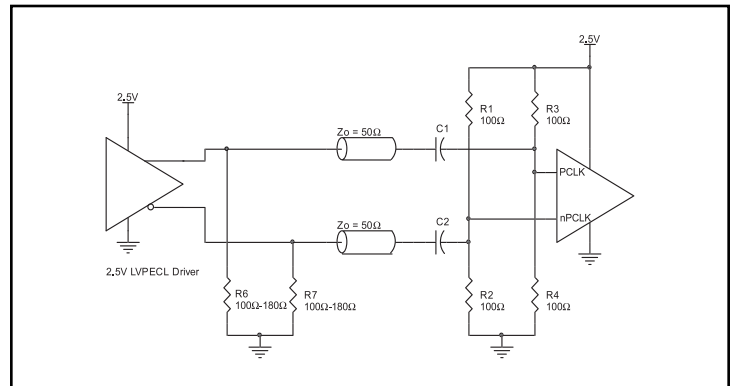


Figure 3D. PCLK/nPCLK Input Driven by a 2.5V LVPECL Driver with AC Couple

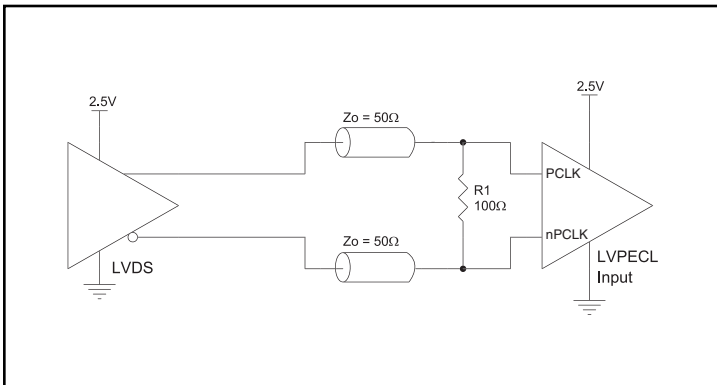


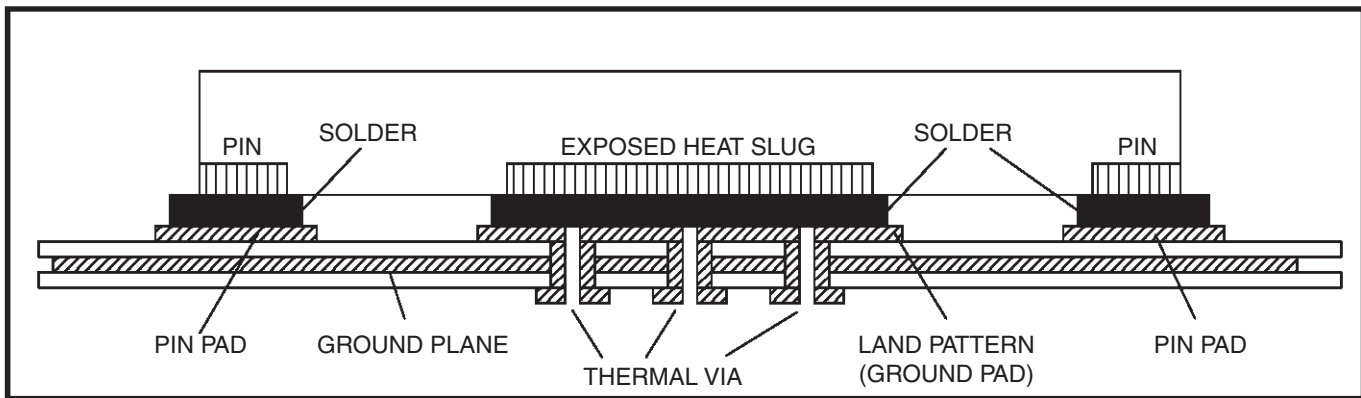
Figure 3E. PCLK/nPCLK Input Driven by a 2.5V LVDS Driver

## VFQFN EPAD Thermal Release Path

In order to maximize both the removal of heat from the package and the electrical performance, a land pattern must be incorporated on the Printed Circuit Board (PCB) within the footprint of the package corresponding to the exposed metal pad or exposed heat slug on the package, as shown in *Figure 4*. The solderable area on the PCB, as defined by the solder mask, should be at least the same size/shape as the exposed pad/slug area on the package to maximize the thermal/electrical performance. Sufficient clearance should be designed on the PCB between the outer edges of the land pattern and the inner edges of pad pattern for the leads to avoid any shorts.

While the land pattern on the PCB provides a means of heat transfer and electrical grounding from the package to the board through a solder joint, thermal vias are necessary to effectively conduct from the surface of the PCB to the ground plane(s). The land pattern must be connected to ground through these vias. The vias act as “heat pipes”. The number of vias (i.e. “heat pipes”) are application specific

and dependent upon the package power dissipation as well as electrical conductivity requirements. Thus, thermal and electrical analysis and/or testing are recommended to determine the minimum number needed. Maximum thermal and electrical performance is achieved when an array of vias is incorporated in the land pattern. It is recommended to use as many vias connected to ground as possible. It is also recommended that the via diameter should be 12 to 13mils (0.30 to 0.33mm) with 1oz copper via barrel plating. This is desirable to avoid any solder wicking inside the via during the soldering process which may result in voids in solder between the exposed pad/slug and the thermal land. Precautions should be taken to eliminate any solder voids between the exposed heat slug and the land pattern. Note: These recommendations are to be used as a guideline only. For further information, please refer to the Application Note on the Surface Mount Assembly of Amkor’s Thermally/Electrically Enhance Leadframe Base Package, Amkor Technology.



**Figure 4. P.C. Assembly for Exposed Pad Thermal Release Path – Side View (drawing not to scale)**

### Termination for 3.3V LVPECL Outputs

The clock layout topology shown below is a typical termination for LVPECL outputs. The two different layouts mentioned are recommended only as guidelines.

The differential outputs are a low impedance follower output that generate ECL/LVPECL compatible outputs. Therefore, terminating resistors (DC current path to ground) or current sources must be used for functionality. These outputs are designed to drive 50Ω

transmission lines. Matched impedance techniques should be used to maximize operating frequency and minimize signal distortion.

Figures 5A and 5B show two different layouts which are recommended only as guidelines. Other suitable clock layouts may exist and it would be recommended that the board designers simulate to guarantee compatibility across all printed circuit and clock component process variations.

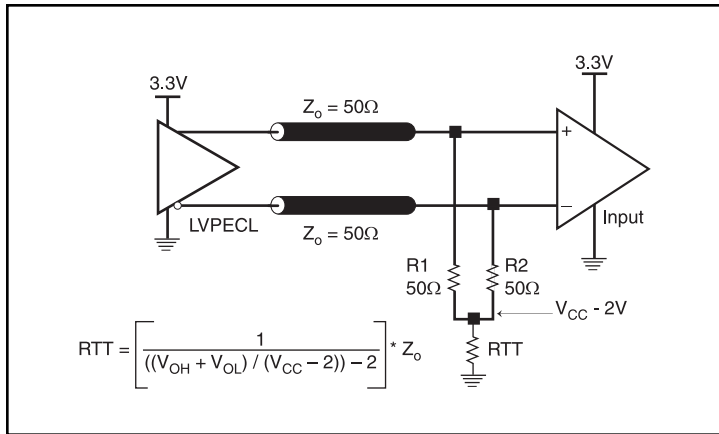


Figure 5A. 3.3V LVPECL Output Termination

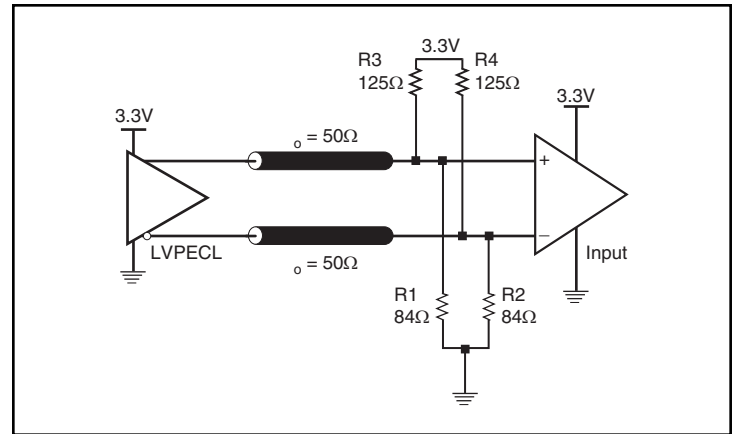


Figure 5B. 3.3V LVPECL Output Termination



### Termination for 2.5V LVPECL Outputs

Figure 6A and Figure 6B show examples of termination for 2.5V LVPECL driver. These terminations are equivalent to terminating 50Ω to  $V_{CC} - 2V$ . For  $V_{CC} = 2.5V$ , the  $V_{CC} - 2V$  is very close to ground

level. The R3 in Figure 6B can be eliminated and the termination is shown in Figure 6C.

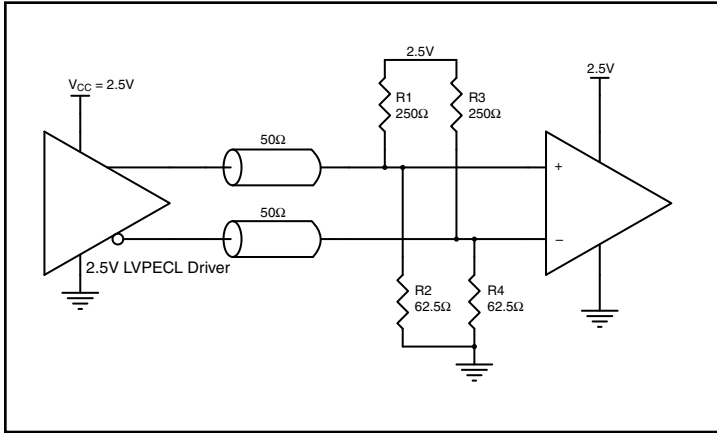


Figure 6A. 2.5V LVPECL Driver Termination Example

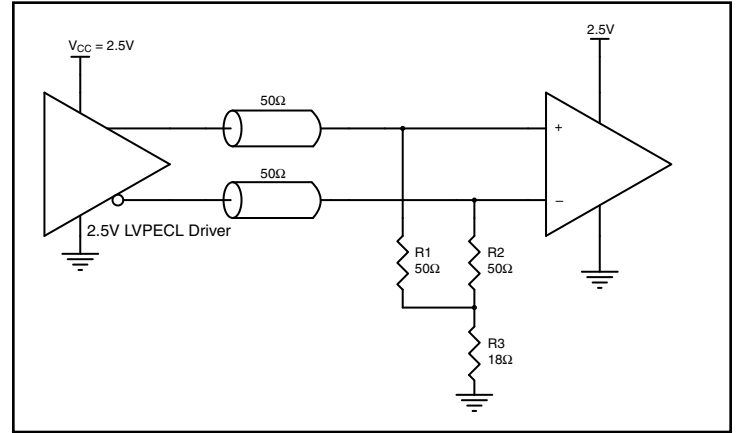


Figure 6B. 2.5V LVPECL Driver Termination Example

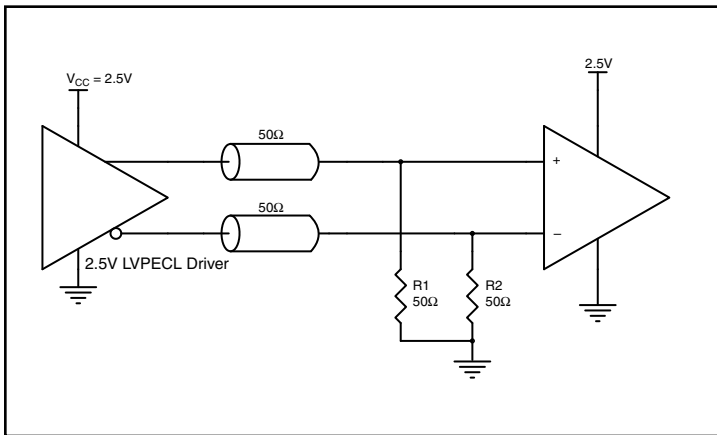


Figure 6C. 2.5V LVPECL Driver Termination Example

## Power Considerations

This section provides information on power dissipation and junction temperature for the IDT8SLVP1212I. Equations and example calculations are also provided.

### 1. Power Dissipation.

The total power dissipation for the IDT8SLVP1212I is the sum of the core power plus the power dissipation in the load(s). The following is the power dissipation for  $V_{CC} = 3.3V + 5\% = 3.465V$ , which gives worst case results.

NOTE: Please refer to Section 3 for details on calculating power dissipation in the load.

- Power (core)<sub>MAX</sub> =  $V_{CC\_MAX} * I_{EE\_MAX} = 3.465V * 131mA = 453.9mW$
- Power (outputs)<sub>MAX</sub> = **35.2mW/Loaded Output pair**  
If all outputs are loaded, the total power is  $12 * 35.2mW = 422.4mW$

**Total Power**<sub>MAX</sub> (3.465V, with all outputs switching) =  $453.9mW + 422.4mW = 876.3mW$

### 2. Junction Temperature.

Junction temperature,  $T_j$ , is the temperature at the junction of the bond wire and bond pad, and directly affects the reliability of the device. The maximum recommended junction temperature is 125°C. Limiting the internal transistor junction temperature,  $T_j$ , to 125°C ensures that the bond wire and bond pad temperature remains below 125°C.

The equation for  $T_j$  is as follows:  $T_j = \theta_{JA} * Pd\_total + T_A$

$T_j$  = Junction Temperature

$\theta_{JA}$  = Junction-to-Ambient Thermal Resistance

$Pd\_total$  = Total Device Power Dissipation (example calculation is in section 1 above)

$T_A$  = Ambient Temperature

In order to calculate junction temperature, the appropriate junction-to-ambient thermal resistance  $\theta_{JA}$  must be used. Assuming no air flow and a multi-layer board, the appropriate value is 38.1°C/W per Table 6 below.

Therefore,  $T_j$  for an ambient temperature of 85°C with all outputs switching is:

$$85^\circ\text{C} + 0.876\text{W} * 38.1^\circ\text{C/W} = 118.4^\circ\text{C}. \text{ This is below the limit of } 125^\circ\text{C}.$$

This calculation is only an example.  $T_j$  will obviously vary depending on the number of loaded outputs, supply voltage, air flow and the type of board (multi-layer).

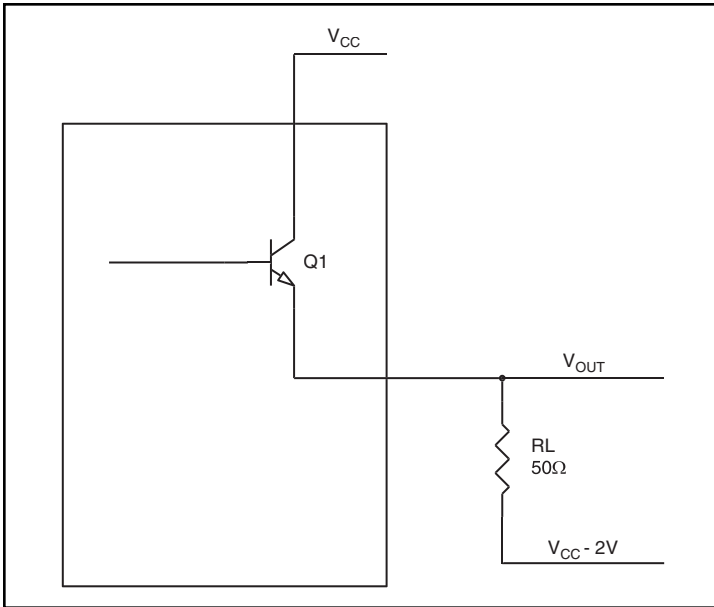
**Table 6. Thermal Resistance  $\theta_{JA}$  for a 40-Lead VFQFN**

| $\theta_{JA}$ at 0 Air Flow                 |          |          |          |
|---|----------|----------|----------|
| Meters per Second                           | 0        | 1        | 2        |
| Multi-Layer PCB, JEDEC Standard Test Boards | 38.1°C/W | 32.0°C/W | 29.9°C/W |

### 3. Calculations and Equations.

The purpose of this section is to calculate the power dissipation for the LVPECL output pair.

The LVPECL output driver circuit and termination are shown in *Figure 7*.



**Figure 7. LVPECL Driver Circuit and Termination**

To calculate power dissipation per output pair due to loading, use the following equations which assume a 50Ω load, and a termination voltage of  $V_{CC} - 2V$ .

- For logic high,  $V_{OUT} = V_{OH\_MAX} = V_{CC\_MAX} - 0.6V$   
 $(V_{CC\_MAX} - V_{OH\_MAX}) = 0.6V$
- For logic low,  $V_{OUT} = V_{OL\_MAX} = V_{CC\_MAX} - 1.28V$   
 $(V_{CC\_MAX} - V_{OL\_MAX}) = 1.28V$

$Pd\_H$  is power dissipation when the output drives high.

$Pd\_L$  is the power dissipation when the output drives low.

$$Pd\_H = [(V_{OH\_MAX} - (V_{CC\_MAX} - 2V))/R_L] * (V_{CC\_MAX} - V_{OH\_MAX}) = [(2V - (V_{CC\_MAX} - V_{OH\_MAX}))/R_L] * (V_{CC\_MAX} - V_{OH\_MAX}) = [(2V - 0.6V)/50\Omega] * 0.6V = \mathbf{16.8mW}$$

$$Pd\_L = [(V_{OL\_MAX} - (V_{CC\_MAX} - 2V))/R_L] * (V_{CC\_MAX} - V_{OL\_MAX}) = [(2V - (V_{CC\_MAX} - V_{OL\_MAX}))/R_L] * (V_{CC\_MAX} - V_{OL\_MAX}) = [(2V - 1.28V)/50\Omega] * 1.28V = \mathbf{18.4mW}$$

Total Power Dissipation per output pair =  $Pd\_H + Pd\_L = \mathbf{35.2mW}$

## Reliability Information

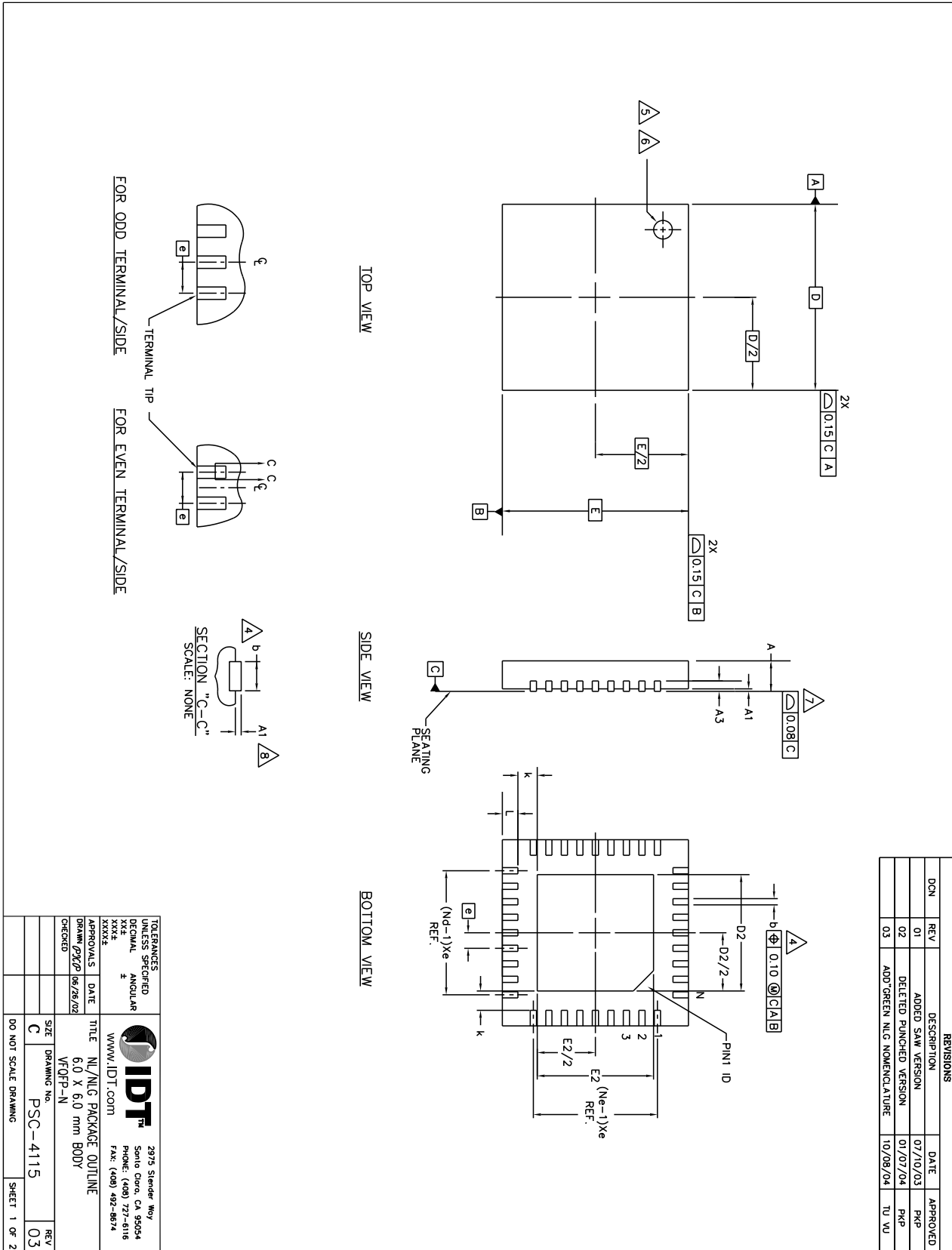
**Table 7.  $\theta_{JA}$  vs. Air Flow Table for a 40-Lead VFQFN**

| $\theta_{JA}$ at 0 Air Flow                 |          |          |          |
|---|----------|----------|----------|
| Meters per Second                           | 0        | 1        | 2        |
| Multi-Layer PCB, JEDEC Standard Test Boards | 38.1°C/W | 32.0°C/W | 29.9°C/W |

## Transistor Count

The transistor count for the IDT8SLVP1212I is: 7748

# 40-Lead VFQFN Package Outline and Package Dimensions



# 40-Lead VFQFN Package Outline and Package Dimensions, continued


| JEDEC VARIATION | VJUC-3 |      |      | N <sub>0</sub> | E <sub>1</sub> | N <sub>0</sub> | JEDEC VARIATION |      |      | N <sub>0</sub> | E <sub>1</sub> |
|-----------------|--------|------|------|----------------|----------------|----------------|-----------------|------|------|----------------|----------------|
|                 | MIN.   | NOM. | MAX. |                |                |                | MIN.            | NOM. | MAX. |                |                |
| Ⓜ               | 0.65   | BSC  |      | 2              | Ⓜ              | 2              | 40              |      | 3    |                |                |
| N               | 28     |      |      | 2              | N              | 2              | 10              |      | 3    |                |                |
| Nd              | 7      |      |      | 2              | Nd             | 2              | 10              |      | 3    |                |                |
| b               | 0.25   | 0.30 | 0.35 | 4              | b              | 0.18           | 0.25            | 0.30 | 4    |                |                |
| D2              | —      | —    | —    | 10             | D2             | —              | —               | —    | 10   |                |                |
| E2              | —      | —    | —    | 10             | E2             | —              | —               | —    | 10   |                |                |

| COMMON DIMENSIONS | MIN. |      |      | NOM. | MAX. | N <sub>0</sub> | E <sub>1</sub> |
|-------------------|------|------|------|------|------|----------------|----------------|
|                   | MIN. | NOM. | MAX. |      |      |                |                |
| A                 | —    | 0.90 | 1.00 |      |      |                |                |
| A1                | 0.00 | 0.02 | 0.05 |      |      | 7              |                |
| A3                |      | 0.20 | REF. |      |      |                |                |
| D                 |      | 6.00 | BSC  |      |      |                |                |
| E                 | 0.20 | —    | BSC  |      |      |                |                |
| k                 | 0.35 | 0.40 | 0.45 |      |      |                |                |

**NOTES:**

- DIMENSIONING & TOLERANCING CONFORM TO ASME Y14.5M, - 1994.
- N IS THE NUMBER OF TERMINALS.  
N<sub>D</sub> IS THE NUMBER OF TERMINALS IN X-DIRECTION & N<sub>E</sub> IS THE NUMBER OF TERMINALS IN Y-DIRECTION.  
3. ALL DIMENSIONS ARE IN MILLIMETERS.
- Ⓜ DIMENSION b APPLIES TO PLATED TERMINAL AND IS MEASURED BETWEEN 0.20 AND 0.30mm FROM TERMINAL TIP.
- Ⓜ THE PIN #1 IDENTIFIER MUST EXIST ON THE TOP SURFACE OF THE PACKAGE BY USING INDENTATION MARK OR OTHER FEATURE OF PACKAGE BODY.
- Ⓜ EXACT SHAPE AND SIZE OF THIS FEATURE IS OPTIONAL.
- Ⓜ APPLIED TO EXPOSED PAD AND TERMINALS. EXCLUDE EMBEDDED PART OF EXPOSED PAD FROM MEASURING.
- Ⓜ APPLIED ONLY FOR TERMINALS.
- THIS OUTLINES CONFORMS TO JEDEC PUBLICATION 95 REGISTRATION MO-220, VARIATION VJUC-3 & VJUD-5 WITH THE EXCEPTION OF D2 & E2.
- DIMENSIONS D2 & E2 VARY DEPENDING ON DEVICE, SUPPLIER, ETC.  
**40-Lead VFQFN, D2/E2 EPAD Dimensions: 2.9mm x 2.9mm**

| REVISIONS |     |                            |          |          |
|-----------|-----|----------------------------|----------|----------|
| DCN       | REV | DESCRIPTION                | DATE     | APPROVED |
|           | 01  | ADDED SAW VERSION          | 07/10/03 | PKP      |
|           | 02  | DELETED PUNCHED VERSION    | 01/07/04 | PKP      |
|           | 03  | ADD GREEN NLG NOMENCLATURE | 10/08/04 | TU VU    |

|                             |             |  |
|-----------------------------|-------------|--|
| TOLERANCES UNLESS SPECIFIED |             | <br>2975 Stender Way<br>Santa Clara, CA 95054<br>PHONE: (408) 727-6116<br>FAX: (408) 492-9874 |
| DECIMAL                     | ± ANGULAR   |  |
| XXX±                        |             |  |
| XXXX±                       |             |  |
| APPROVALS                   | DATE        | WWW.IDT.COM  |
| DRAWN p2/p 06/26/02         |             | NL/NLG PACKAGE OUTLINE   |
| CHECKED                     |             | VFQFN-N  |
| SIZE                        | DRAWING NO. | REV  |
| C                           | PSC-4115    | 03   |
| DO NOT SCALE DRAWING        |             | SHEET 2 OF 2   |

## Ordering Information

**Table 8. Ordering Information**

| Part/Order Number | Marking           | Package                   | Shipping Packaging                           | Temperature   |
|-------------------|-------------------|---------------------------|--|---------------|
| 8SLVP1212ANLGI    | IDT8SLVP1212ANLGI | “Lead-Free” 40-Lead VFQFN | Tray   | -40°C to 85°C |
| 8SLVP1212ANLGI8   | IDT8SLVP1212ANLGI | “Lead-Free” 40-Lead VFQFN | Tape & Reel,<br>pin 1 orientation: EIA-481-C | -40°C to 85°C |
| 8SLVP1212ANLGI/W  | IDT8SLVP1212ANLGI | “Lead-Free” 40-Lead VFQFN | Tape & Reel,<br>pin 1 orientation: EIA-481-D | -40°C to 85°C |

**Table 9. Pin 1 Orientation in Tape and Reel Packaging**

| Part Number Suffix | Pin 1 Orientation      | Illustration |
|--------------------|------------------------|--------------|
| 8                  | Quadrant 1 (EIA-481-C) |              |
| /W                 | Quadrant 2 (EIA-481-D) |              |

## Revision History Sheet

| Rev | Table | Page            | Description of Change  | Date      |
|-----|-------|-----------------|--|-----------|
| A   | T5    | 1<br>5, 6<br>11 | Added Features Bullet: Differential PCLKA, nPCLKA and PCLKB, nPCLKB pairs can also accept single-ended LVCMOS levels.<br>Added NOTE 7 to $V_{PP}$ , $V_{CMR}$ .<br>Updated the "Wiring the Differential Input to Accept Single-Ended Levels" note. | 1/30/2013 |
| A   | T5    | 6               | Changed Note 5 to read " $V_{IL}$ should not be less than -0.3V. $V_{IH}$ should not be higher than $V_{CC}$ ."  | 1/28/2014 |



## We've Got Your Timing Solution



6024 Silver Creek Valley Road  
San Jose, California 95138

**Sales**  
800-345-7015 (inside USA)  
+408-284-8200 (outside USA)  
Fax: 408-284-2775  
[www.IDT.com/go/contactIDT](http://www.IDT.com/go/contactIDT)

**Technical Support Sales**  
[netcom@idt.com](mailto:netcom@idt.com)  
+480-763-2056

DISCLAIMER Integrated Device Technology, Inc. (IDT) and its subsidiaries reserve the right to modify the products and/or specifications described herein at any time and at IDT's sole discretion. All information in this document, including descriptions of product features and performance, is subject to change without notice. Performance specifications and the operating parameters of the described products are determined in the independent state and are not guaranteed to perform the same way when installed in customer products. The information contained herein is provided without representation or warranty of any kind, whether express or implied, including, but not limited to, the suitability of IDT's products for any particular purpose, an implied warranty of merchantability, or non-infringement of the intellectual property rights of others. This document is presented only as a guide and does not convey any license under intellectual property rights of IDT or any third parties.

IDT's products are not intended for use in applications involving extreme environmental conditions or in life support systems or similar devices where the failure or malfunction of an IDT product can be reasonably expected to significantly affect the health or safety of users. Anyone using an IDT product in such a manner does so at their own risk, absent an express, written agreement by IDT.

Integrated Device Technology, IDT and the IDT logo are registered trademarks of IDT. Other trademarks and service marks used herein, including protected names, logos and designs, are the property of IDT or their respective third party owners.

Copyright 2014. All rights reserved.

Компания «Океан Электроники» предлагает заключение долгосрочных отношений при поставках импортных электронных компонентов на взаимовыгодных условиях!

Наши преимущества:

- Поставка оригинальных импортных электронных компонентов напрямую с производств Америки, Европы и Азии, а так же с крупнейших складов мира;
- Широкая линейка поставок активных и пассивных импортных электронных компонентов (более 30 млн. наименований);
- Поставка сложных, дефицитных, либо снятых с производства позиций;
- Оперативные сроки поставки под заказ (от 5 рабочих дней);
- Экспресс доставка в любую точку России;
- Помощь Конструкторского Отдела и консультации квалифицированных инженеров;
- Техническая поддержка проекта, помощь в подборе аналогов, поставка прототипов;
- Поставка электронных компонентов под контролем ВП;
- Система менеджмента качества сертифицирована по Международному стандарту ISO 9001;
- При необходимости вся продукция военного и аэрокосмического назначения проходит испытания и сертификацию в лаборатории (по согласованию с заказчиком);
- Поставка специализированных компонентов военного и аэрокосмического уровня качества (Xilinx, Altera, Analog Devices, Intersil, Interpoint, Microsemi, Actel, Aeroflex, Peregrine, VPT, Syfer, Eurofarad, Texas Instruments, MS Kennedy, Miteq, Cobham, E2V, MA-COM, Hittite, Mini-Circuits, General Dynamics и др.);

Компания «Океан Электроники» является официальным дистрибьютором и эксклюзивным представителем в России одного из крупнейших производителей разъемов военного и аэрокосмического назначения «JONHON», а так же официальным дистрибьютором и эксклюзивным представителем в России производителя высокотехнологичных и надежных решений для передачи СВЧ сигналов «FORSTAR».



## JONHON

«JONHON» (основан в 1970 г.)

Разъемы специального, военного и аэрокосмического назначения:

(Применяются в военной, авиационной, аэрокосмической, морской, железнодорожной, горно- и нефтедобывающей отраслях промышленности)

«FORSTAR» (основан в 1998 г.)

ВЧ соединители, коаксиальные кабели, кабельные сборки и микроволновые компоненты:

(Применяются в телекоммуникациях гражданского и специального назначения, в средствах связи, РЛС, а так же военной, авиационной и аэрокосмической отраслях промышленности).



Телефон: 8 (812) 309-75-97 (многоканальный)

Факс: 8 (812) 320-03-32

Электронная почта: [ocean@oceanchips.ru](mailto:ocean@oceanchips.ru)

Web: <http://oceanchips.ru/>

Адрес: 198099, г. Санкт-Петербург, ул. Калинина, д. 2, корп. 4, лит. А