

NCP380, NCV380

Fixed/Adjustable Current-Limiting Power-Distribution Switches

The NCP380 is a high side power-distribution switch designed for applications where heavy capacitive loads and short-circuits are likely to be encountered. The device includes an integrated 55 mΩ (DFN package), P-channel MOSFET. The device limits the output current to a desired level by switching into a constant-current regulation mode when the output load exceeds the current-limit threshold or a short is present. The current-limit threshold is either user adjustable between 100 mA and 2.1 A via an external resistor or internally fixed. The power-switch rise and fall times are controlled to minimize current ringing during switching.

An internal reverse-voltage detection comparator disables the power-switch if the output voltage is higher than the input voltage to protect devices on the input side of the switch.

The $\overline{\text{FLAG}}$ logic output asserts low during over current, reverse-voltage or over temperature conditions. The switch is controlled by a logic enable input active high or low.

Features

- 2.5 V – 5.5 V Operating Range
- 70 mΩ High-side MOSFET
- Current Limit:
 - ◆ User adjustable from 100 mA to 2.1 A
 - ◆ Fixed 500 mA, 1 A, 1.5 A, 2 A and 2.1 A
- Under Voltage Lock-out (UVLO)
- Built-in Soft-start
- Thermal Protection
- Soft Turn-off
- Reverse Voltage Protection
- Junction Temperature Range: –40°C to 125°C
- Enable Active High or Low (EN or $\overline{\text{EN}}$)
- Compliance to IEC61000–4–2 (Level 4)
 - ◆ 8.0 kV (Contact)
 - ◆ 15 kV (Air)
- UL Listed – File No. E343275
- NCV Prefix for Automotive and Other Applications Requiring Unique Site and Control Change Requirements; AEC–Q100 Qualified and PPAP Capable
- These are Pb-Free Devices

Typical Applications

- Laptops
- USB Ports/Hubs
- TVs



ON Semiconductor®

www.onsemi.com



UDFN6
CASE 517AB

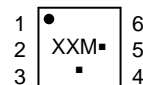


TSOP-5
CASE 483

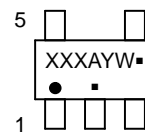


TSOP-6
CASE 318G

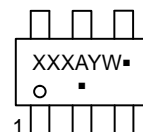
MARKING DIAGRAMS



UDFN6



TSOP-5



TSOP-6

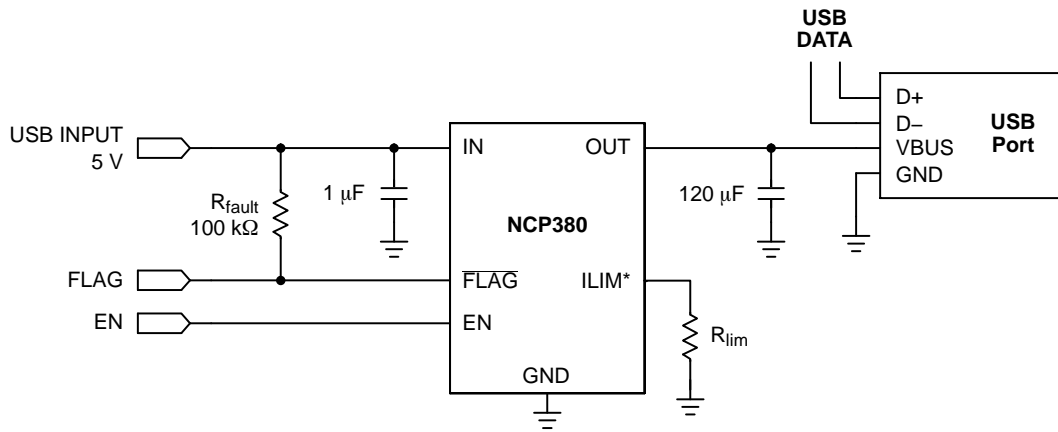
XXX = Specific Device Code
A = Assembly Location
M = Date Code
Y = Year
W = Work Week
▪ = Pb-Free Package

(Note: Microdot may be in either location)

ORDERING INFORMATION

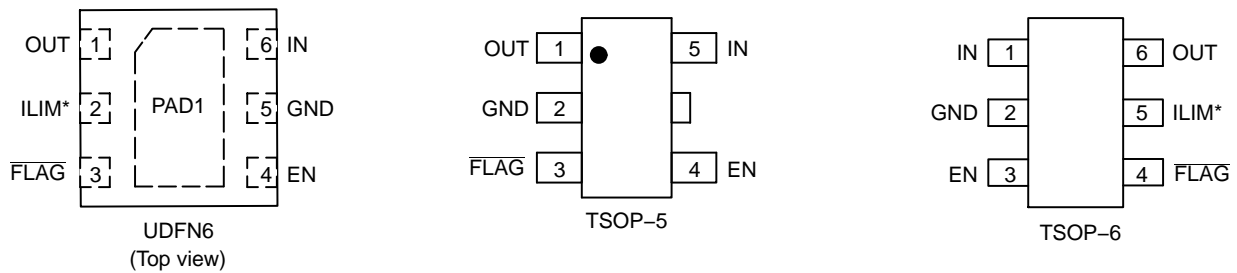
See detailed ordering and shipping information in the package dimensions section on page 20 of this data sheet.

NCP380, NCV380



*For Adjustable Version Only.

Figure 1. Typical Application Circuit



*For adjustable version only, otherwise not connected.

Figure 2. Pin Connections

Table 1. PIN FUNCTION DESCRIPTION

| Pin Name | Type | Description |
|----------|---------|--|
| EN | INPUT | Enable input, logic low/high (i.e. \overline{EN} or EN) turns on power switch |
| GND | POWER | Ground connection; |
| IN | POWER | Power-switch input voltage; connect a 1 μ F or greater ceramic capacitor from IN to GND as close as possible to the IC. |
| FLAG | OUTPUT | Active-low open-drain output, asserted during overcurrent, overtemperature or reverse-voltage conditions. Connect a 10 k Ω or greater resistor pull-up, otherwise leave unconnected. |
| OUT | OUTPUT | Power-switch output; connect a 1 μ F ceramic capacitor from OUT to GND as close as possible to the IC is recommended. A 1 μ F or greater ceramic capacitor from OUT to GND must be connected if the USB requirement (i.e. 120 μ F capacitor minimum) is not met. |
| ILIM* | INPUT | External resistor used to set current-limit threshold; recommended 5 k Ω < R _{ILIM} < 250 k Ω . |
| PAD1** | THERMAL | Exposed Thermal Pad: Must be soldered to PCB Ground plane |

*(For adjustable version only, otherwise not connected.

**For DFN version only.

NCP380, NCV380

Table 2. MAXIMUM RATINGS

| Rating | Symbol | Value | Unit |
|--|---|-------------------|--------------|
| From IN to OUT Pins: Input/Output (Note 1) | V_{IN}, V_{OUT} | -7.0 to +7.0 | V |
| IN, OUT, EN, ILIM, FLAG, Pins: Input/Output (Note 1) | $V_{EN}, V_{ILIM}, V_{FLAG}, V_{IN}, V_{OUT}$ | -0.3 to +7.0 | V |
| FLAG Sink Current | I_{SINK} | 1 | mA |
| I_{LIM} Source Current | I_{LIM} | 1 | mA |
| ESD Withstand Voltage (IEC 61000-4-2) (Output Only, when Bypassed with 1.0 μ F Capacitor Minimum) | ESD IEC | 15 Air, 8 Contact | kV |
| Human Body Model (HBM) ESD Rating (Note 2) | ESD HBM | 2,000 | V |
| Machine Model (MM) ESD Rating (Notes 2 and 3) | ESD MM | 200 | V |
| Latch-up Protection (Note 4) Pins IN, OUT, EN, ILIM, FLAG | LU | 100 | mA |
| Maximum Junction Temperature Range (Note 6) | T_J | -40 to +TSD | $^{\circ}$ C |
| Storage Temperature Range | T_{STG} | -40 to +150 | $^{\circ}$ C |
| Moisture Sensitivity (Note 5) | MSL | Level 1 | |

Stresses exceeding those listed in the Maximum Ratings table may damage the device. If any of these limits are exceeded, device functionality should not be assumed, damage may occur and reliability may be affected.

1. According to JEDEC standard JESD22-A108.
2. This device series contains ESD protection and passes the following tests:
Human Body Model (HBM) ± 2.0 kV per JEDEC standard: JESD22-A114 for all pins.
Machine Model (MM) ± 200 V per JEDEC standard: JESD22-A115 for all pins.
3. Except EN pin, 150 V.
4. Latch up Current Maximum Rating: ± 100 mA per JEDEC standard: JESD78 class II.
5. Moisture Sensitivity Level (MSL): 1 per IPC/JEDEC standard: J-STD-020.
6. A thermal shutdown protection avoids irreversible damage on the device due to power dissipation.

Table 3. OPERATING CONDITIONS

| Symbol | Parameter | Conditions | Min | Typ | Max | Unit | |
|-----------------|------------------------------------|--------------------------------|----------------|-----|------|----------------|----|
| V_{IN} | Operational Power Supply | | 2.5 | - | 5.5 | V | |
| V_{EN} | Enable Voltage | | 0 | - | 5.5 | | |
| T_A | Ambient Temperature Range | | -40 | 25 | +85 | $^{\circ}$ C | |
| T_J | Junction Temperature Range | | -40 | 25 | +125 | $^{\circ}$ C | |
| R_{ILIM} | Resistor from ILIM to GND Pin | | 5.0 | - | 250 | k Ω | |
| I_{SINK} | FLAG Sink Current | | - | - | 1.0 | mA | |
| C_{IN} | Decoupling Input Capacitor | | 1.0 | - | - | μ F | |
| C_{OUT} | Decoupling Output Capacitor | USB Port per Hub | 120 | - | - | μ F | |
| $R_{\theta JA}$ | Thermal Resistance Junction-to-Air | UDFN-6 Package (Notes 7 and 8) | - | 120 | - | $^{\circ}$ C/W | |
| | | TSOP-5 Package (Notes 7 and 8) | - | 305 | - | $^{\circ}$ C/W | |
| | | TSOP-6 Package (Notes 7 and 8) | - | 280 | - | $^{\circ}$ C/W | |
| I_{OUT} | Maximum DC Current | UDFN-6 Package | - | - | 2.1 | A | |
| | | TSOP-5, TSOP-6 Package | - | - | 1.0 | A | |
| P_D | Power Dissipation Rating (Note 9) | $T_A \leq 25^{\circ}$ C | UDFN-6 Package | - | 830 | - | mW |
| | | | TSOP-5 Package | - | 325 | - | mW |
| | | | TSOP-6 Package | - | 350 | - | mW |
| | | $T_A = 85^{\circ}$ C | UDFN-6 Package | - | 325 | - | mW |
| | | | TSOP-5 Package | - | 130 | - | mW |
| | | TSOP-6 Package | - | 145 | - | mW | |

7. A thermal shutdown protection avoids irreversible damage on the device due to power dissipation.
8. The $R_{\theta JA}$ is dependent of the PCB heat dissipation. Board used to drive this data was a 2" x 2" NCP380EVB board. It is a 2 layers board with 2-ounce copper traces on top and bottom of the board. Exposed pad is connected to ground plane for UDFN-6 version only.
9. The maximum power dissipation (P_D) is given by the following formula:

$$P_D = \frac{T_{JMAX} - T_A}{R_{\theta JA}}$$

NCP380, NCV380

Table 4. ELECTRICAL CHARACTERISTICS

(Min & Max Limits apply for T_A between -40°C to $+85^{\circ}\text{C}$ and T_J up to $+125^{\circ}\text{C}$ for V_{IN} between 2.5 V to 5.5 V (Unless otherwise noted). Typical values are referenced to $T_A = +25^{\circ}\text{C}$ and $V_{IN} = 5\text{ V}$.)

| Symbol | Parameter | Conditions | Min | Typ | Max | Unit | | |
|---|---|---|--|---|-------|---------------|---------------|------------------|
| POWER SWITCH | | | | | | | | |
| $R_{DS(on)}$ | Static Drain-source On-state Resistance | DFN Package | $V_{IN} = 5\text{ V}$ | $-40^{\circ}\text{C} < T_J < 125^{\circ}\text{C}$ | – | 55 | 75 | $\text{m}\Omega$ |
| | | | $2.5\text{ V} < V_{IN} < 5.5\text{ V}$ | $-40^{\circ}\text{C} < T_J < 125^{\circ}\text{C}$ | – | – | 110 | |
| | TSOP Package | | $V_{IN} = 5\text{ V}$ | $-40^{\circ}\text{C} < T_J < 125^{\circ}\text{C}$ | – | 70 | 95 | $\text{m}\Omega$ |
| | | | $2.5\text{ V} < V_{IN} < 5.5\text{ V}$ | $-40^{\circ}\text{C} < T_J < 125^{\circ}\text{C}$ | – | – | 135 | |
| T_R | Output Rise Time | $C_{LOAD} = 1\ \mu\text{F}$, $R_{LOAD} = 100\ \Omega$ (Note 10) | $V_{IN} = 5\text{ V}$ | 0.3 | 1.0 | 1.5 | ms | |
| | | | $V_{IN} = 2.5\text{ V}$ | 0.2 | 0.65 | 1.0 | | |
| T_F | Output Fall Time | | $V_{IN} = 5\text{ V}$ | 0.1 | – | 0.5 | | |
| | | | $V_{IN} = 2.5\text{ V}$ | 0.1 | – | 0.5 | | |
| ENABLE INPUT EN OR $\overline{\text{EN}}$ | | | | | | | | |
| V_{IH} | High-level Input Voltage | | 1.2 | – | – | V | | |
| V_{IL} | Low-level Input Voltage | | – | – | 0.4 | V | | |
| I_{EN} | Input Current | $V_{EN} = 0\text{ V}$, $\overline{V_{EN}} = 5\text{ V}$ | –0.5 | – | 0.5 | μA | | |
| T_{ON} | Turn On Time | $C_{LOAD} = 1\ \mu\text{F}$, $R_{LOAD} = 100\ \Omega$ (Note 11) | 2.0 | 3.0 | 4.0 | ms | | |
| T_{OFF} | Turn Off Time | | 1.0 | – | 3.0 | ms | | |
| CURRENT LIMIT | | | | | | | | |
| I_{OCP} | Current-limit Threshold (Maximum DC Output Current I_{OUT} Delivered to Load) | $V_{IN} = 5\text{ V}$ | $R_{LIM} = 20\ \text{k}\Omega$ (Note 11) | 1.02 | 1.20 | 1.38 | A | |
| | | | $R_{LIM} = 40\ \text{k}\Omega$ (Notes 11 and 13) | 0.595 | 0.700 | 0.805 | | |
| | | | Fixed 0.5 A (Note 12) | 0.5 | 0.58 | 0.65 | A | |
| | | | Fixed 1.0 A (Note 12) | 1.0 | 1.15 | 1.3 | | |
| | | | Fixed 1.5 A (Note 12) | 1.5 | 1.75 | 1.9 | | |
| | | | Fixed 2.0 A (Note 12) | 2.0 | 2.25 | 2.5 | | |
| | | | Fixed 2.1 A (Note 12) | 2.1 | 2.25 | 2.5 | | |
| T_{DET} | Response Time to Short Circuit | $V_{IN} = 5\text{ V}$ | – | 2.0 | – | μs | | |
| T_{REG} | Regulation Time | | 1.8 | 3.0 | 4.0 | ms | | |
| T_{OCP} | Overcurrent Protection Time | | 14 | 20 | 26 | ms | | |
| REVERSE-VOLTAGE PROTECTION | | | | | | | | |
| V_{REV} | Reverse-voltage Comparator Trip Point ($V_{OUT} - V_{IN}$) | | – | 100 | – | mV | | |
| T_{REV} | Time from Reverse-voltage Condition to MOSFET Switch Off & FLAG Low | $V_{IN} = 5\text{ V}$ | 4.0 | 6.0 | 9.0 | ms | | |
| T_{RREV} | Re-arming Time | | 7.0 | 10 | 15 | ms | | |
| UNDERVOLTAGE LOCKOUT | | | | | | | | |
| V_{UVLO} | IN Pin Low-level Input Voltage | V_{IN} Rising | 2.0 | 2.3 | 2.4 | V | | |
| V_{HYST} | IN Pin Hysteresis | $T_J = 25^{\circ}\text{C}$ | 25 | – | 60 | mV | | |
| T_{RUVLO} | Re-arming Time | | 7.0 | 10 | 15 | ms | | |
| SUPPLY CURRENT | | | | | | | | |
| I_{NOFF} | Low-level Output Supply Current | $V_{IN} = 5\text{ V}$, No Load on O_{UT} , Device OFF $V_{EN} = 0\text{ V}$ or $\overline{V_{EN}} = 5\text{ V}$ | – | 1.0 | 2.1 | μA | | |
| I_{INON} | High-level Output Supply Current | $V_{IN} = 5\text{ V}$, Device Enable | – | – | 90 | μA | | |
| | | 2 A and 2.1 A Versions | – | – | 80 | | | |
| | | 1 A and 1.5 A Current Versions 0.5 A Current Version | – | – | 70 | | | |
| I_{REV} | Reverse Leakage Current | $V_{OUT} = 5\text{ V}$, $V_{IN} = 0\text{ V}$ | $T_J = 25^{\circ}\text{C}$ | – | – | 1.0 | μA | |

NCP380, NCV380

Table 4. ELECTRICAL CHARACTERISTICS (continued)

(Min & Max Limits apply for T_A between -40°C to $+85^{\circ}\text{C}$ and T_J up to $+125^{\circ}\text{C}$ for V_{IN} between 2.5 V to 5.5 V (Unless otherwise noted). Typical values are referenced to $T_A = +25^{\circ}\text{C}$ and $V_{IN} = 5\text{ V}$.)

| Symbol | Parameter | Conditions | Min | Typ | Max | Unit |
|-----------------|-------------------------|--|-----|-----|-----|---------------|
| FLAG PIN | | | | | | |
| V_{OL} | FLAG Output Low Voltage | $I_{FLAG} = 1\text{ mA}$ | | | 400 | mV |
| I_{LEAK} | Off-state Leakage | $V_{FLAG} = 5\text{ V}$ | | | 1.0 | μA |
| T_{FLG} | FLAG Deglitch | FLAG De-assertion Time due to Overcurrent or Reverse Voltage Condition | 4.0 | 6.0 | 9.0 | ms |
| T_{FOCP} | FLAG Deglitch | FLAG Assertion due to Overcurrent | 6.0 | 8.0 | 12 | ms |

THERMAL SHUTDOWN

| | | | | | | |
|-------------|-------------------------------------|--|--|-----|--|--------------------|
| T_{SD} | Thermal Shutdown Threshold | | | 140 | | $^{\circ}\text{C}$ |
| T_{SDOCP} | Thermal Regulation Threshold | | | 125 | | $^{\circ}\text{C}$ |
| T_{RSD} | Thermal Shutdown Rearming Threshold | | | 115 | | $^{\circ}\text{C}$ |

Product parametric performance is indicated in the Electrical Characteristics for the listed test conditions, unless otherwise noted. Product performance may not be indicated by the Electrical Characteristics if operated under different conditions.

10. Parameters are guaranteed for C_{LOAD} and R_{LOAD} connected to the OUT pin with respect to the ground, See Figure 3.

11. Adjustable current version, R_{ILIM} tolerance $\pm 1\%$.

12. Fixed current version.

13. Not production test, guaranteed by characterization.

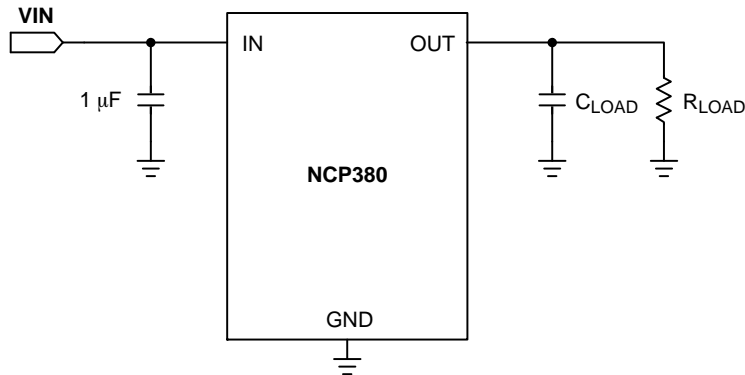


Figure 3. Test Configuration

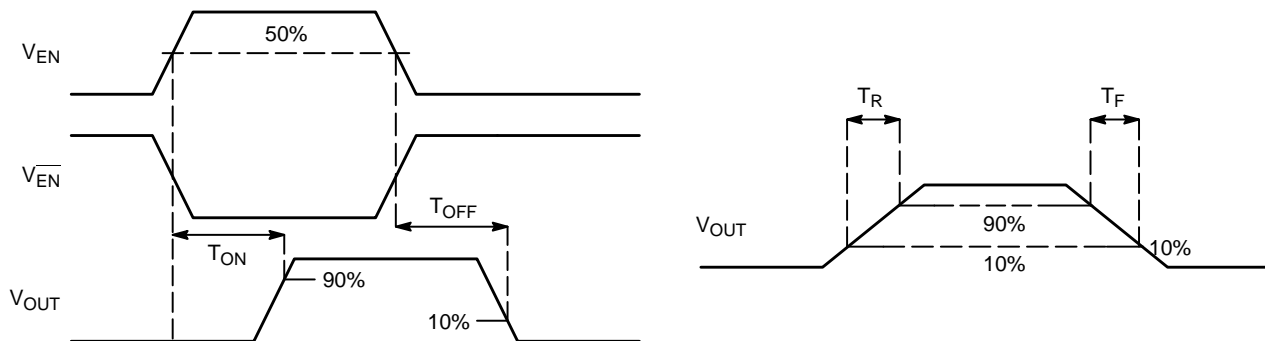
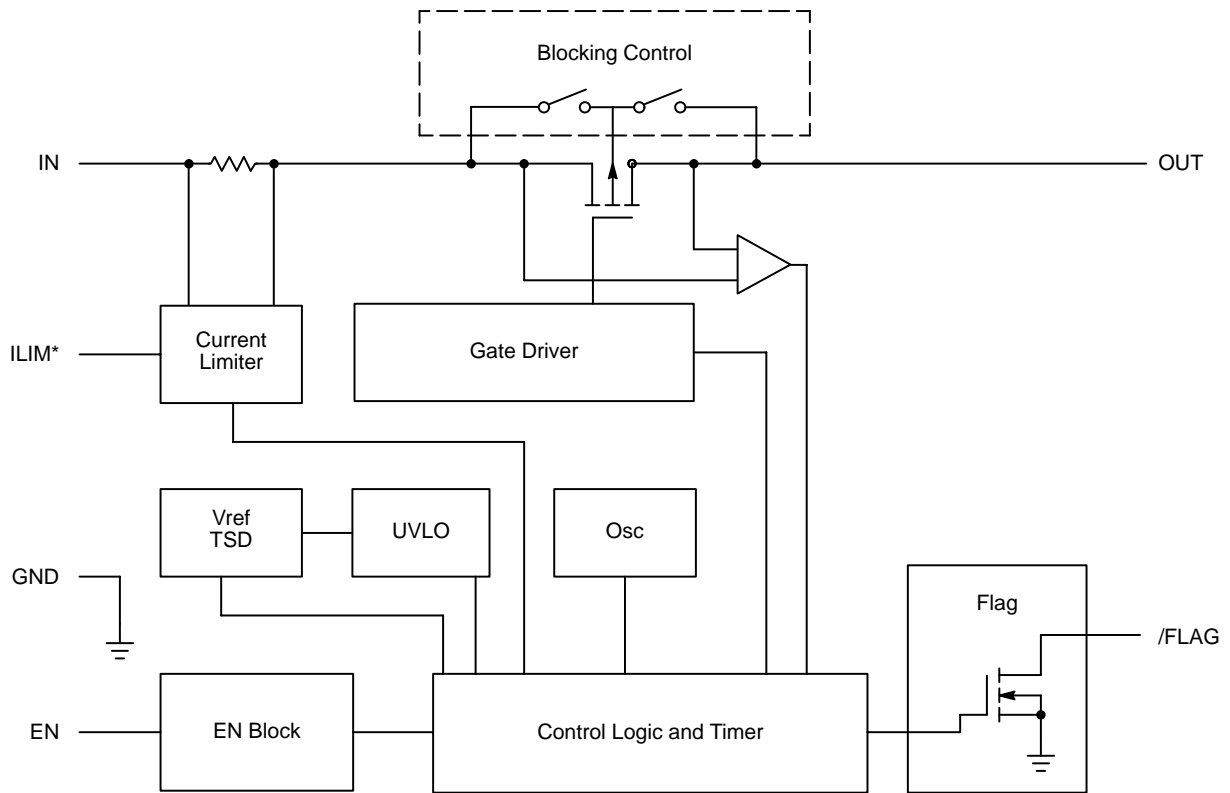


Figure 4. Voltage Waveform

NCP380, NCV380

BLOCK DIAGRAM



*For adjustable version only, otherwise not connected.

Figure 5. Block Diagram

NCP380, NCV380

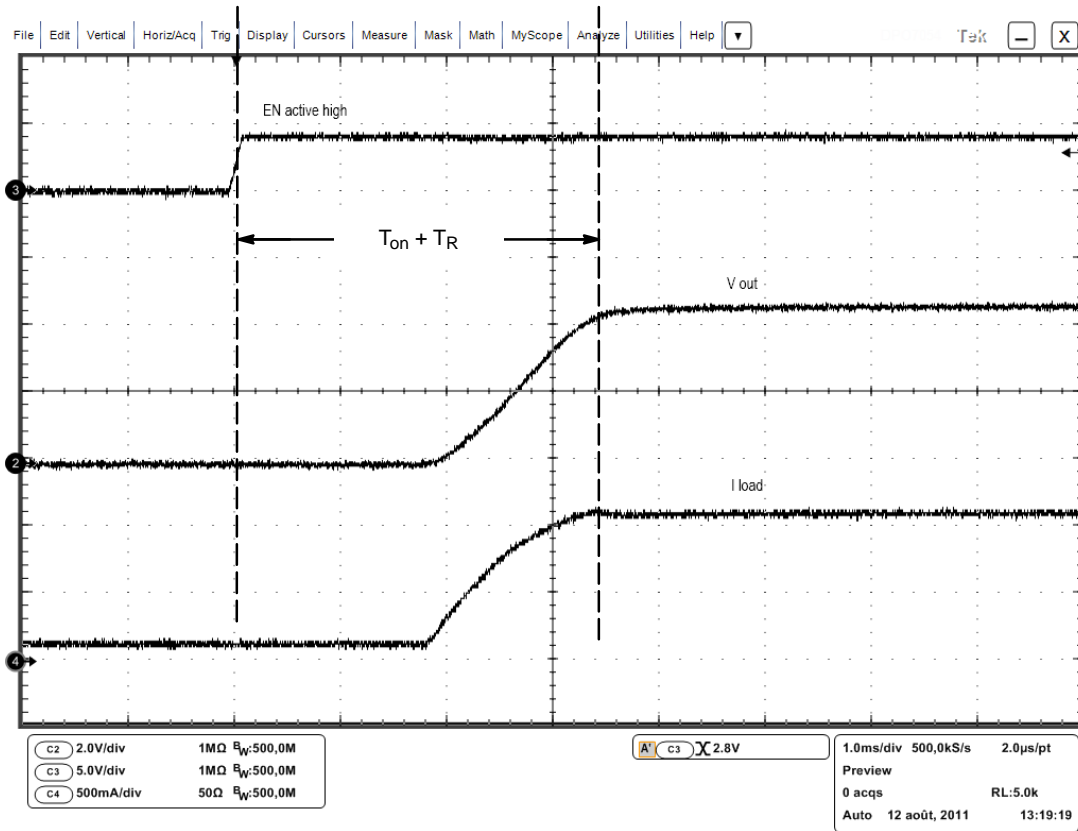


Figure 6. T_{on} Delay and T_{rise} Time

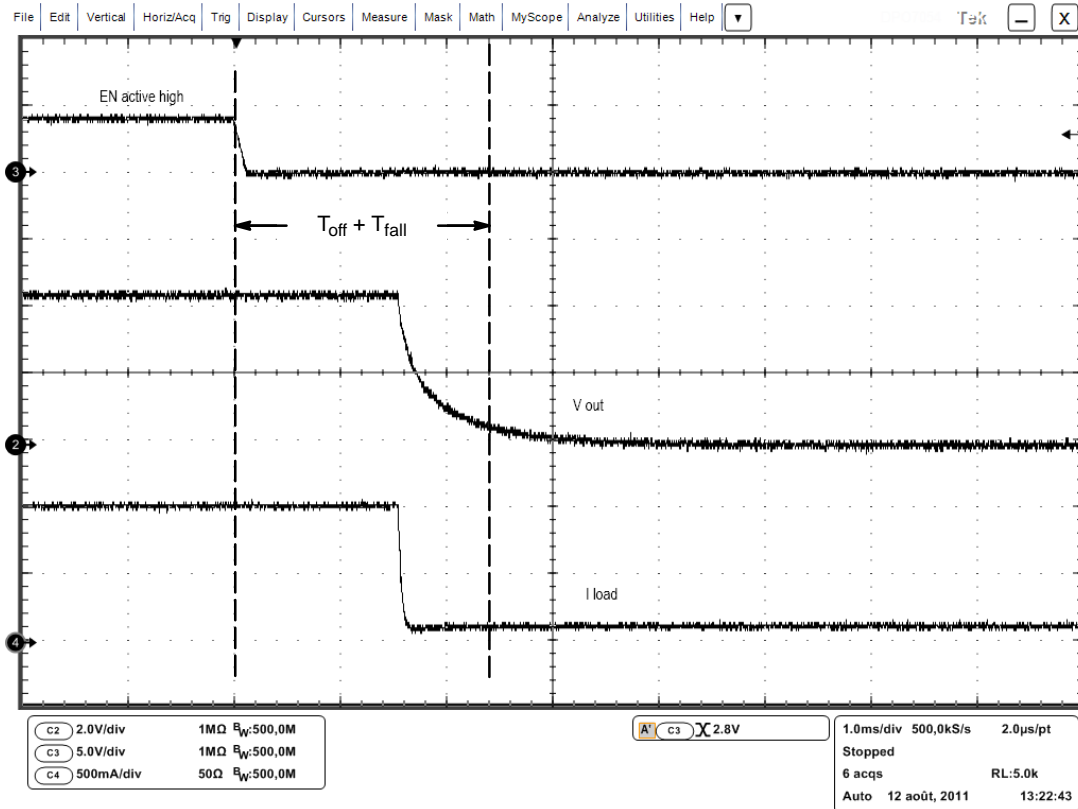


Figure 7. T_{off} Delay and T_{fall}

NCP380, NCV380

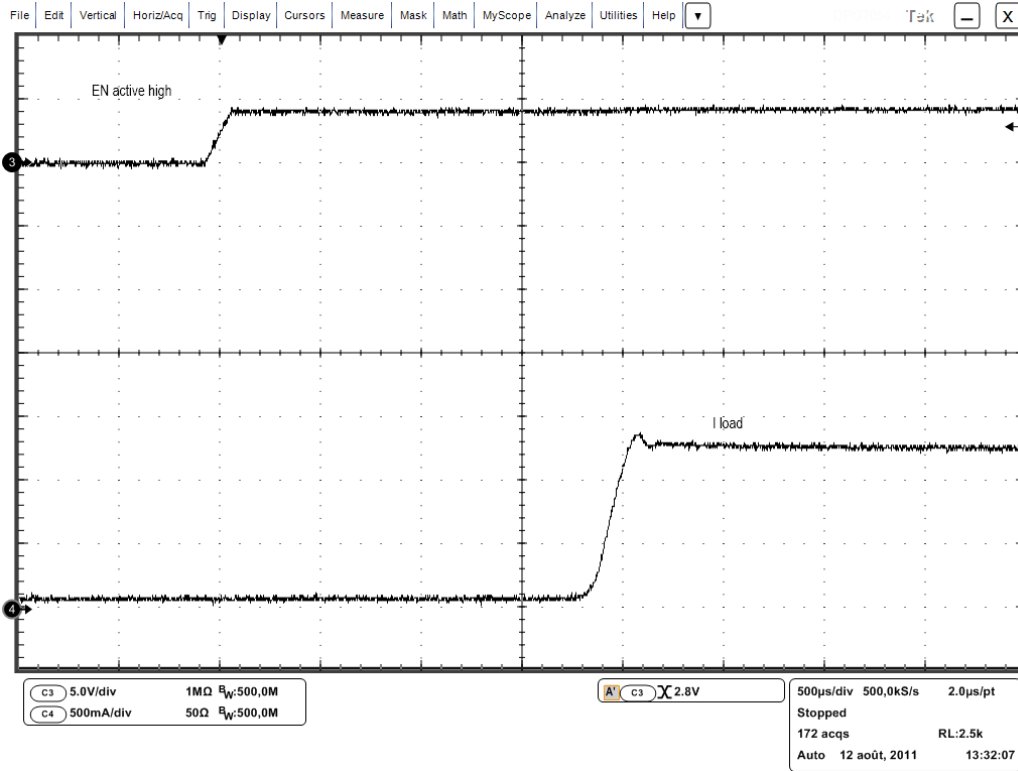


Figure 8. Turn On a Short

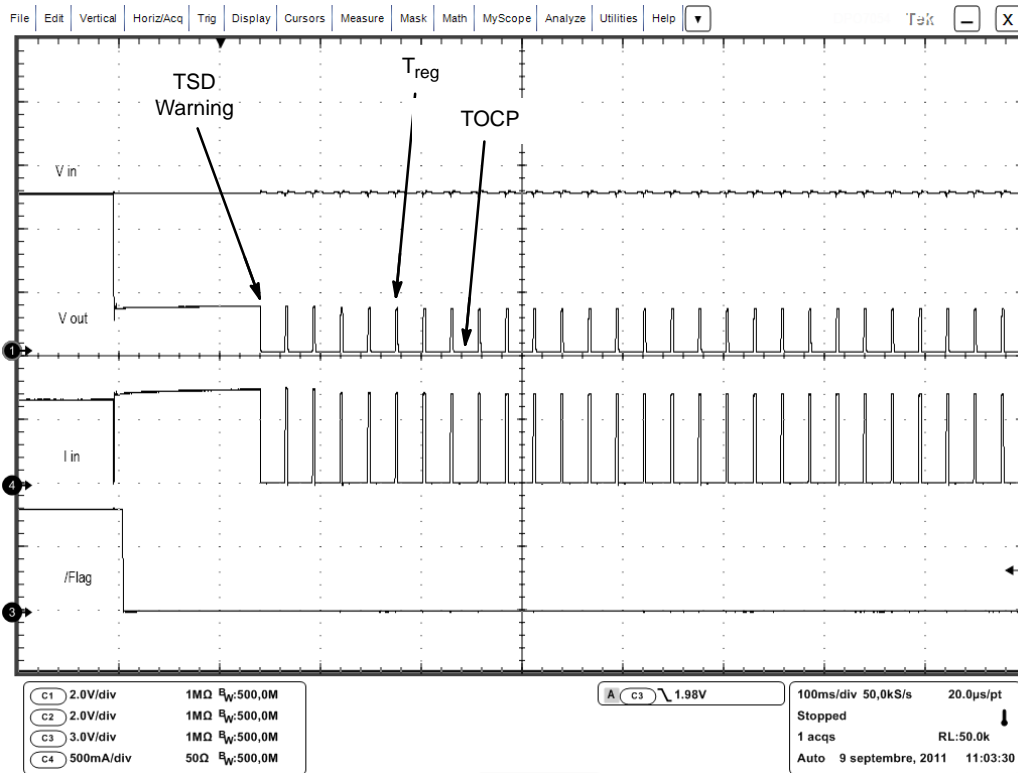


Figure 9. 2 Ω Short on Output. Complete Regulation Sequence

NCP380, NCV380

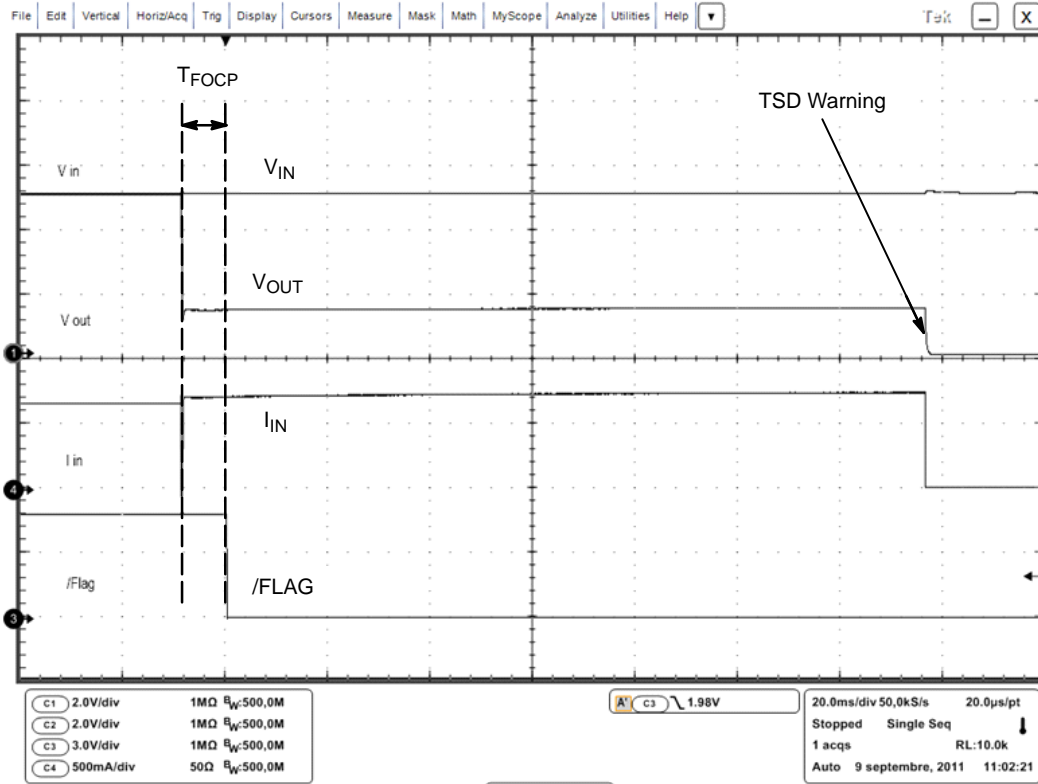


Figure 10. OCP Regulation and TSD Warning Event

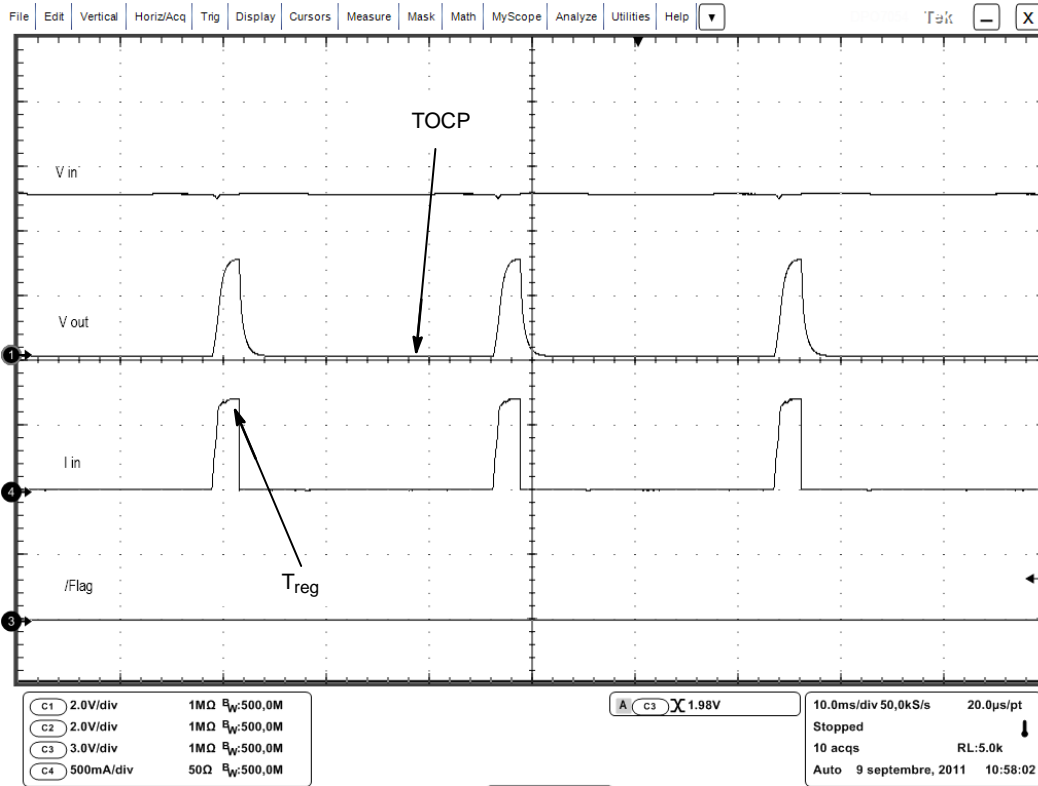


Figure 11. Timer Regulation Sequence During 2 Ω Overload

NCP380, NCV380

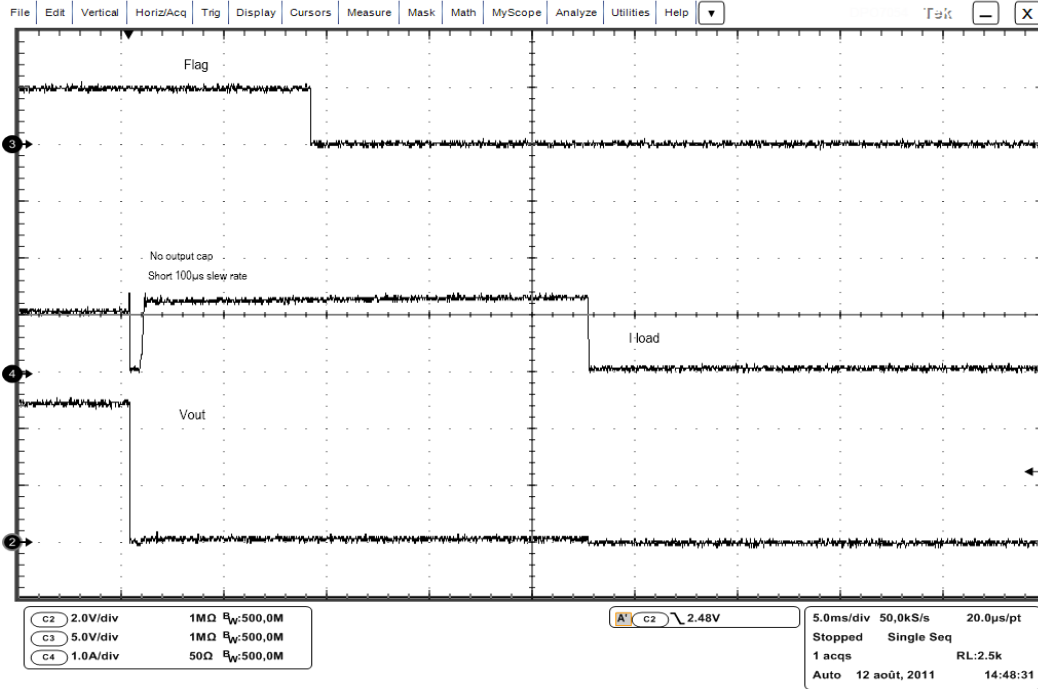


Figure 12. Direct Short on OUT Pin

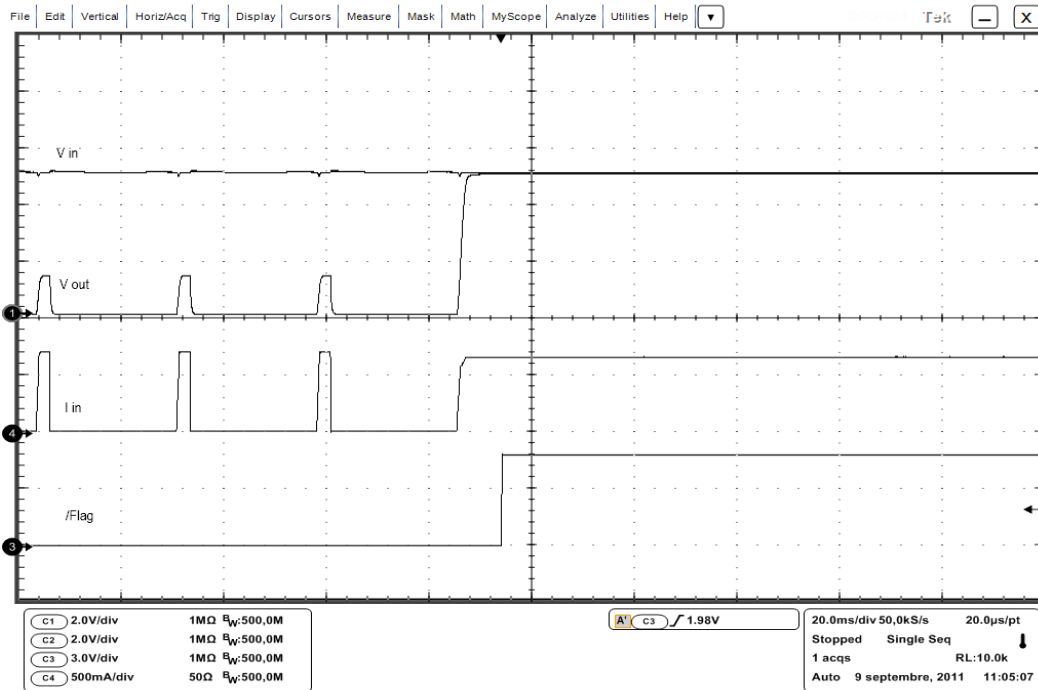


Figure 13. From Timer Regulation to Load Removal Sequence

NCP380, NCV380

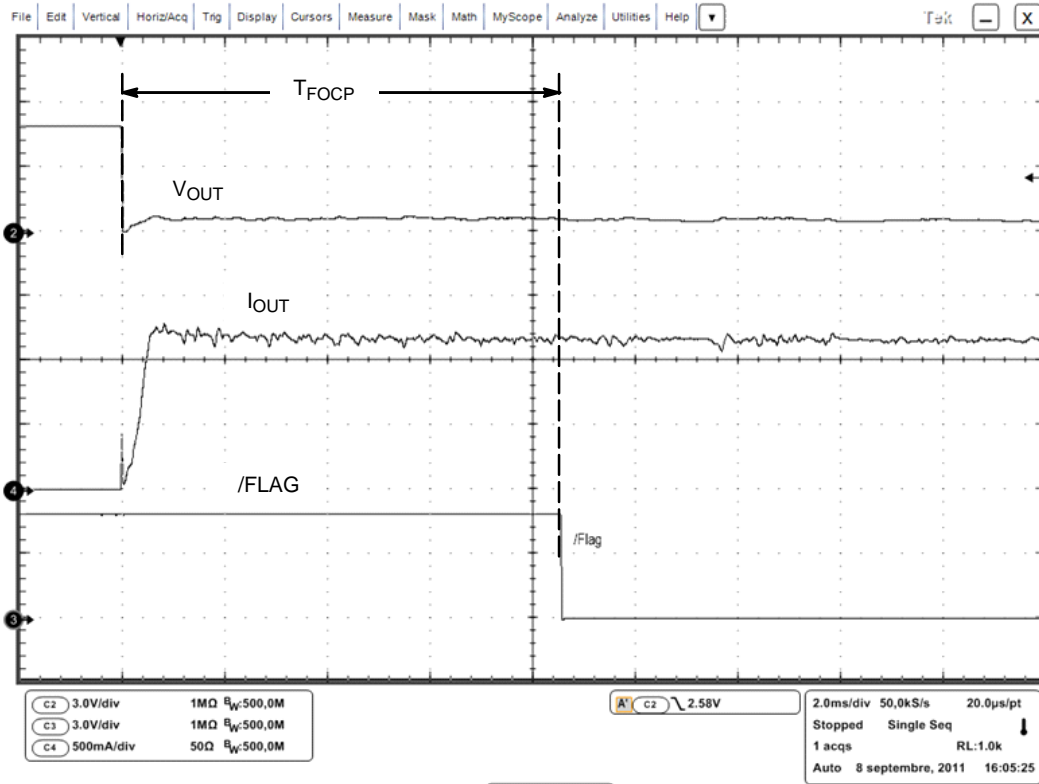


Figure 14. From No Load to Direct Short Circuit

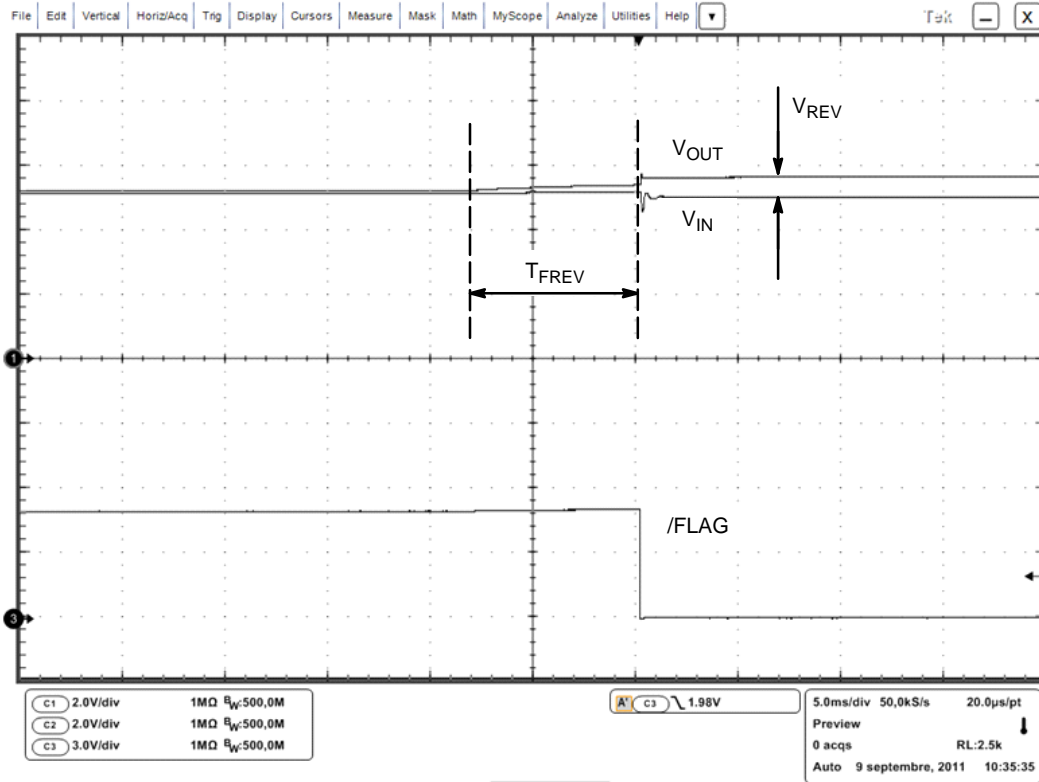


Figure 15. Reverse Voltage Detection

NCP380, NCV380

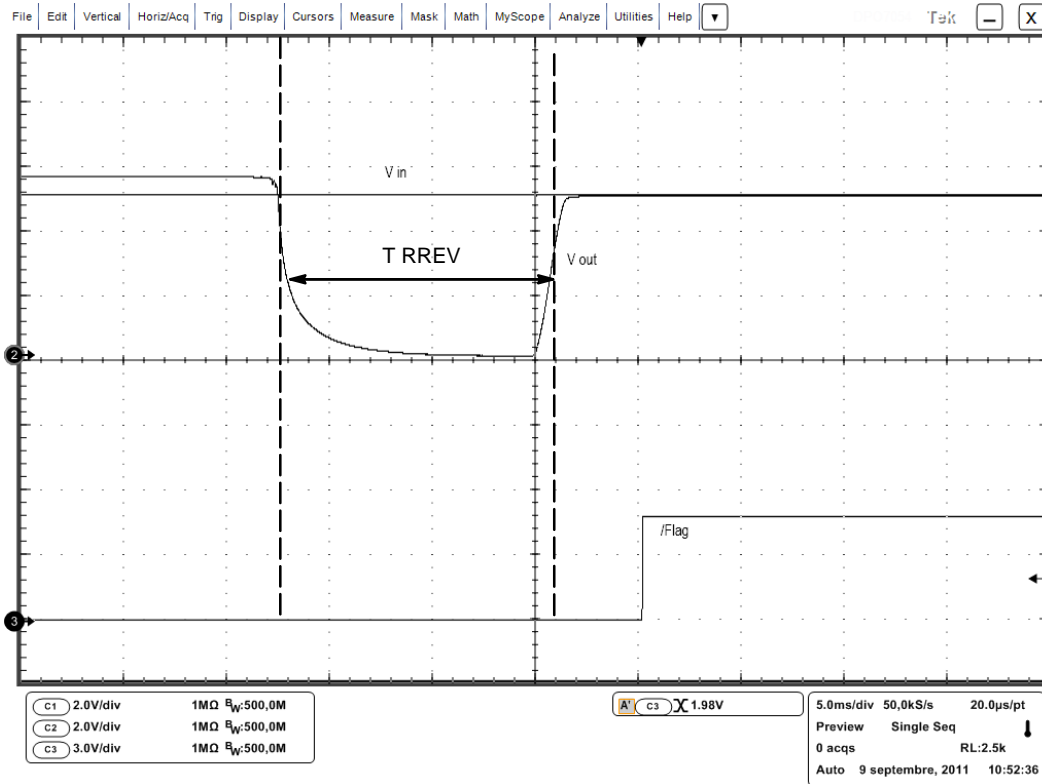


Figure 16. Reverse Voltage Removal

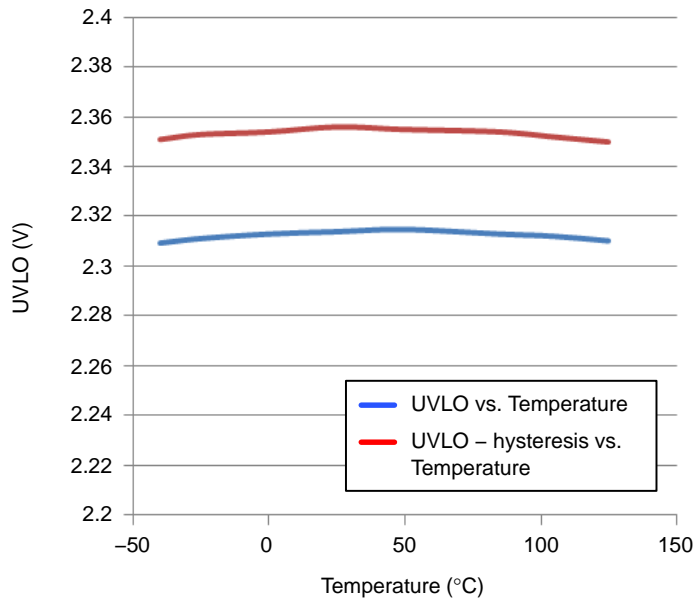


Figure 17. Undervoltage Threshold (Falling) and Hysteresis

NCP380, NCV380

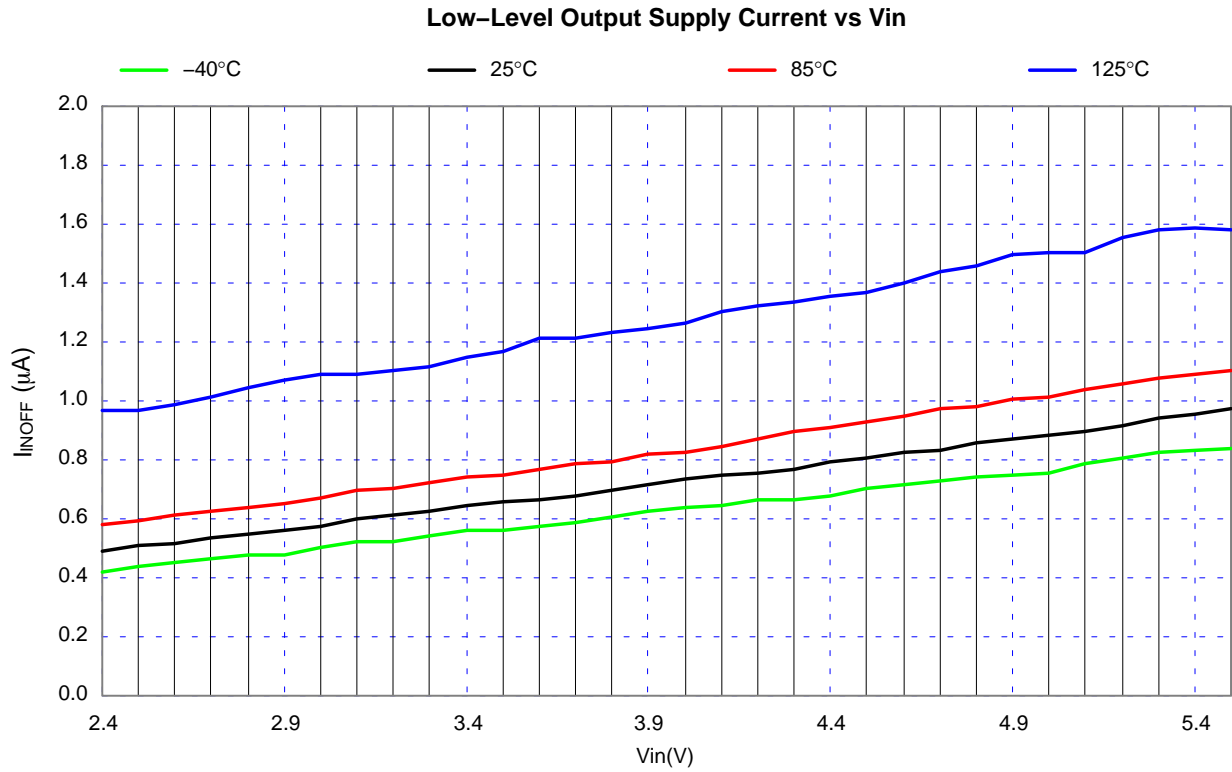


Figure 18. Standby Current vs Vin

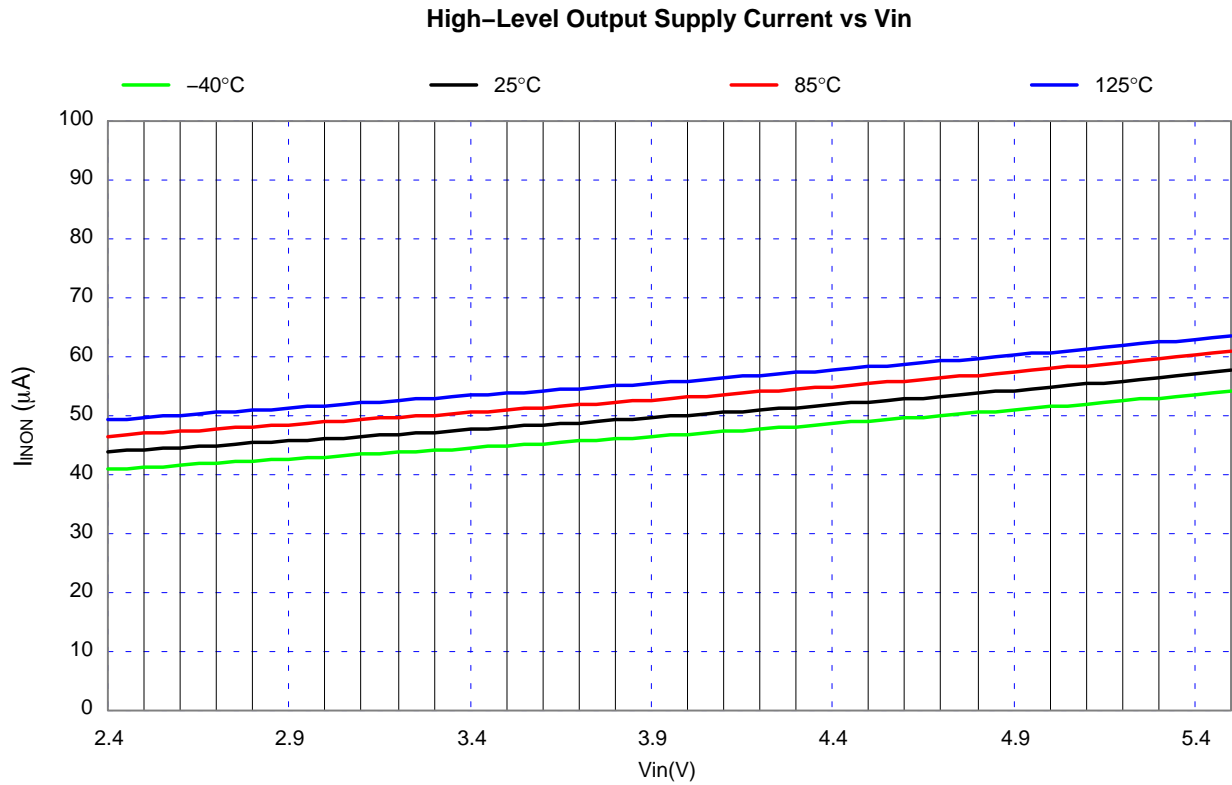


Figure 19. Quiescent Current vs Vin

NCP380, NCV380

TSOP Package

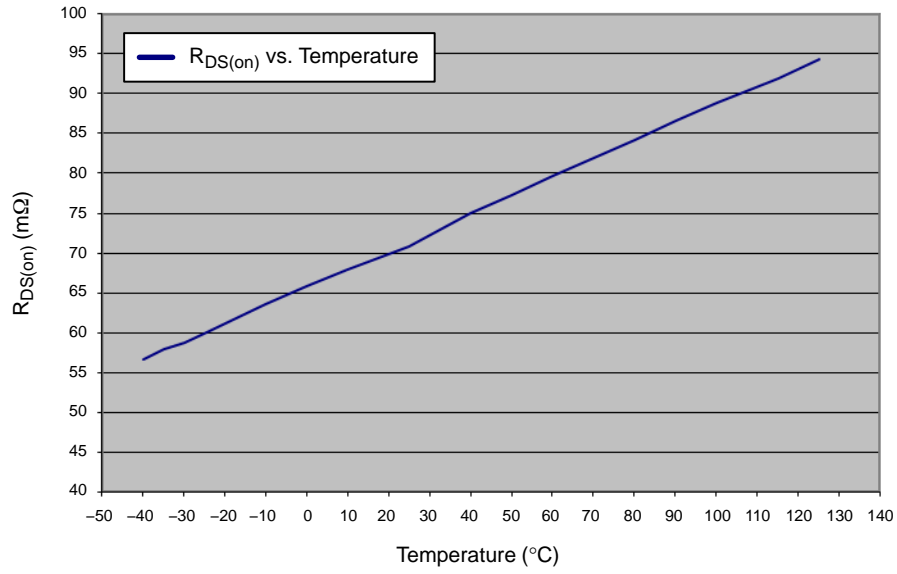


Figure 20. R_{DS(on)} vs Temperature, TSOP Package

μDFN Package

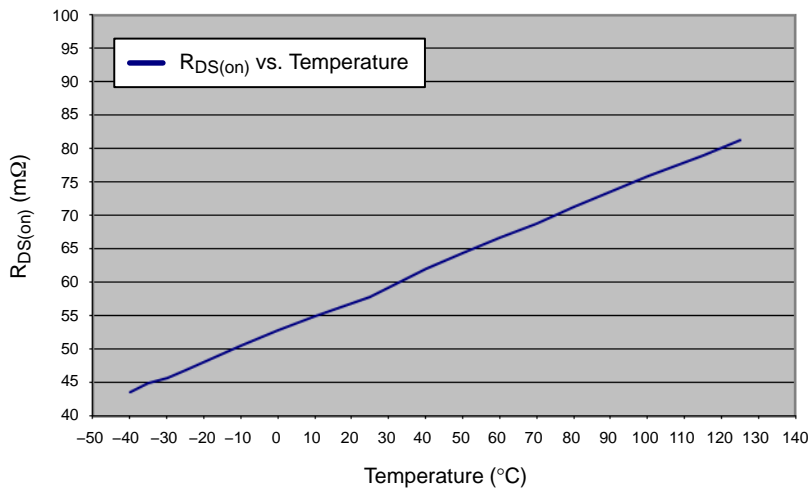


Figure 21. R_{DS(on)} vs Temperature, μDFN Package

FUNCTIONAL DESCRIPTION

Overview

The NCP380 is a high side P channel MOSFET power distribution switch designed to protect the input supply voltage in case of heavy capacitive loads, short circuit or over current. In addition, the high side MOSFET is turned off during under voltage, thermal shutdown or reverse voltage condition. Adjustable version allows the user to program the current limit threshold using an external resistor. Thanks to the soft start circuitry, NCP380 is able to limit large current and voltage surges.

Overcurrent Protection

NCP380 switches into a constant current regulation mode when the output current is above the I_{OCP} threshold. Depending on the load, the output voltage is decreased accordingly.

- In case of hot plug with heavy capacitive load, the output voltage is brought down to the capacitor voltage. The NCP380 will limit the current to the I_{OCP} threshold value until the charge of the capacitor is completed.

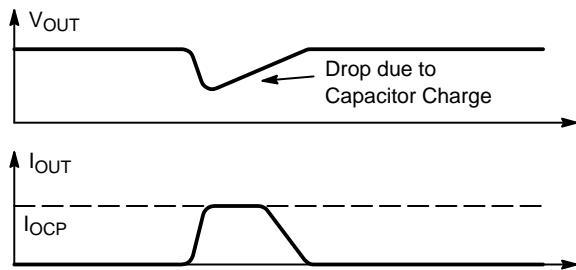


Figure 22. Heavy capacitive load

- In case of overload, the current is limited to the I_{OCP} value and the voltage value is reduced according to the load by the following relation:

$$V_{OUT} = R_{LOAD} \times I_{OCP} \quad (eq. 1)$$

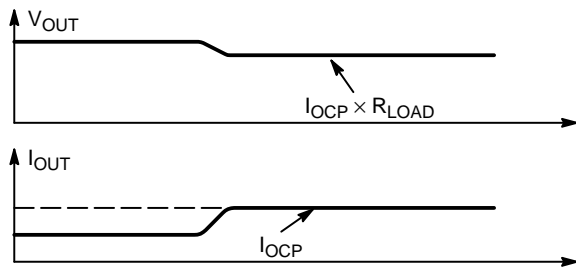


Figure 23. Overload

- In case of short circuit or huge load, the current is limited to the I_{OCP} value within T_{DET} time until the short condition is removed. If the output remains shorted or tied to a very low voltage, the junction temperature of the chip exceeds T_{SDOCP} value and the device enters in thermal shutdown (MOSFET is turned-off).

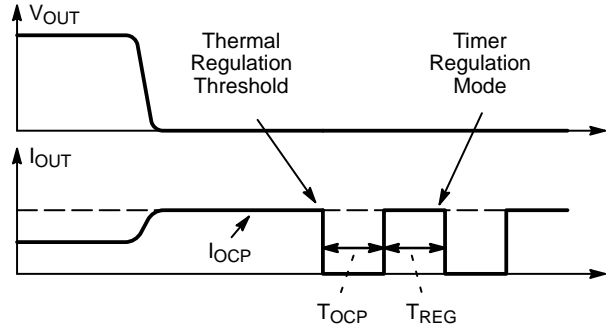


Figure 24. Short circuit

Then, the device enters in timer regulation mode, described in 2 phases:

- Off-phase: Power MOSFET is off during T_{OCP} to allow the die temperature to drop.
- On-phase: regulation current mode during T_{REG} . The current is regulated to the I_{OCP} level.

The timer regulation mode allows the device to handle high thermal dissipation (in case of short circuit for example) within temperature operating condition.

NCP380 stays in on-phase/off-phase loop until the over current condition is removed or enable pin is toggled.

Remark: Other regulation modes can be available for different applications. Please contact our ON Semiconductor representative for availability.

FLAG Indicator

The \overline{FLAG} pin is an open-drain MOSFET asserted low during over current, reverse-voltage or over temperature conditions. When an over current or a reverse voltage fault is detected on the power path, \overline{FLAG} pin is asserted low at the end of the associate deglitch time (see electrical characteristics). Thanks to this feature, the \overline{FLAG} pin is not tied low during the charge of a heavy capacitive load or a voltage transient on output. Deglitch time is T_{FOCP} for over current fault and T_{REV} for reverse voltage. The \overline{FLAG} pin remains low until the fault is removed. Then, the \overline{FLAG} pin goes high at the end of T_{FGL} .

Undervoltage Lock-out

Thanks to a built-in under voltage lockout (UVLO) circuitry, the output remains disconnected from input until V_{IN} voltage is below V_{UVLO} . When V_{IN} voltage is above V_{UVLO} , the system try to reconnect the output after a rearming time. T_{RUVLO} . This circuit has a V_{HYST} hysteresis witch provides noise immunity to transient.

Thermal Sense

Thermal shutdown turns off the power MOSFET if the die temperature exceeds T_{SD} . A Hysteresis prevents the part from turning on until the die temperature cools at T_{RSD} .

NCP380, NCV380

Reverse Voltage Protection

When the output voltage exceeds the input voltage by V_{REV} voltage during T_{REV} , the reverse voltage circuitry disconnects the output in order to protect the power supply. The same time T_{REV} is needed to turn on again the power MOS plus a rearming time T_{RREV} .

Enable Input

Enable pin must be driven by a logic signal (CMOS or TTL compatible) or connected to the GND or VIN. A logic low on \overline{EN} or high on EN turns-on the device. A logic high on \overline{EN} or low on EN turns off device and reduces the current consumption down to I_{INOFF} .

Blocking Control

The blocking control circuitry switches the bulk of the power MOS. When the part is off, the body diode limits the leakage current I_{REV} from OUT to IN. In this mode, anode of the body diode is connected to IN pin and cathode is connected to OUT pin. In operating condition, anode of the body diode is connected to OUT pin and cathode is connected to IN pin preventing the discharge of the power supply.

APPLICATION INFORMATION

Power Dissipation

The junction temperature of the device depends on different contributing factors such as board layout, ambient temperature, device environment, etc... Yet, the main contributor in terms of junction temperature is the power dissipation of the power MOSFET. Assuming this, the power dissipation and the junction temperature in normal mode can be calculated with the following equations:

$$P_D = R_{DS(on)} \times (I_{OUT})^2 \quad (eq. 2)$$

Where:

| | |
|--------------|---|
| P_D | = Power dissipation (W) |
| $R_{DS(on)}$ | = Power MOSFET on resistance (Ω) |
| I_{OUT} | = Output current (A) |

$$T_J = P_D \times R_{\theta JA} + T_A \quad (eq. 3)$$

Where:

| | |
|-----------------|--|
| T_J | = Junction temperature ($^{\circ}C$) |
| $R_{\theta JA}$ | = Package thermal resistance ($^{\circ}C/W$) |
| T_A | = Ambient temperature ($^{\circ}C$) |

Power dissipation in regulation mode can be calculated by taking into account the drop $V_{IN}-V_{OUT}$ link to the load by the following relation:

$$P_D = (V_{IN} - R_{LOAD} \times I_{OCP}) \times I_{OCP} \quad (eq. 4)$$

Where:

| | |
|------------|--------------------------------|
| P_D | = Power dissipation (W) |
| V_{IN} | = Input Voltage (V) |
| R_{LOAD} | = Load Resistance (Ω) |
| I_{OCP} | = Output regulated current (A) |

Adjustable Current-Limit Programming (for adjustable version only)

The NCP380xMUAJAA and NCP380xSNAJAA, respectively μ DFN and TSOP6 packages, are proposed to have current limit flexibility for end Customer. Indeed, Ilim pin is available to connect pull down resistor to ground, which participate to the current threshold adjustment. It's strongly recommended to use 0.1 or 1% resistor tolerance to keep the over current accuracy.

For this resistance selection, Customer should define first of all, the USB current to sustain, without the device enters in the protection sequence. Main rule is to select this pull down resistor in order to make sure min current limit is above the USB current to provide continuously to the upstream accessory.

Following, the main table selection contains the USB current port for the accessory, the standard resistor selection and typical/max over current threshold.

NCP380, NCV380

Table 5. RESISTOR SELECTION FOR ADJUSTABLE CURRENT LIMIT VERSION

| Min Current Limit Value (A) | Theoric Resistor Value (kΩ) | Selected Resistor Value (kΩ) 1% or 0.1% | Typical OCP Target Value (A) | Maximum Current Value (A) |
|-----------------------------|-----------------------------|--|------------------------------|---------------------------|
| 0.5 | 44.2 | 44.2 | 0.59 | 0.67 |
| 0.6 | 37.5 | 37.4 | 0.71 | 0.81 |
| 0.7 | 32.2 | 31.6 | 0.825 | 0.95 |
| 0.8 | 27.7 | 27.4 | 0.94 | 1.08 |
| 0.9 | 24.0 | 23.7 | 1.06 | 1.22 |
| 1.0 | 21.0 | 21 | 1.18 | 1.35 |
| 1.1 | 18.5 | 18.2 | 1.3 | 1.49 |
| 1.2 | 16.6 | 16.5 | 1.41 | 1.62 |
| 1.3 | 14.6 | 14.3 | 1.53 | 1.76 |
| 1.4 | 13.0 | 13 | 1.65 | 1.9 |
| 1.5 | 11.4 | 11.3 | 1.78 | 2.05 |
| 1.6 | 10.4 | 10.2 | 1.88 | 2.17 |
| 1.7 | 9.2 | 9.09 | 2.01 | 2.31 |
| 1.8 | 8.3 | 8.25 | 2.12 | 2.438 |
| 1.9 | 7.4 | 7.32 | 2.23 | 2.56 |
| 2.0 | 6.5 | 6.49 | 2.36 | 2.7 |
| 2.1 | 5.6 | 5.49 | 2.48 | 2.85 |

The “Min current limit Value” column, represents the DC current to provide to the accessory without over current activation.

Second column is the theoretical resistor value obtained with following formula to achieve typical current target:

$$R_{lim} = -5.2959 \times ILIM^5 + 45.256 \times ILIM^4 - 155.25 \times ILIM^3 + 274.39 \times ILIM^2 - 267.6 \times ILIM + 134.21 \quad (eq. 5)$$

R_{LIM} Versus OCP Average

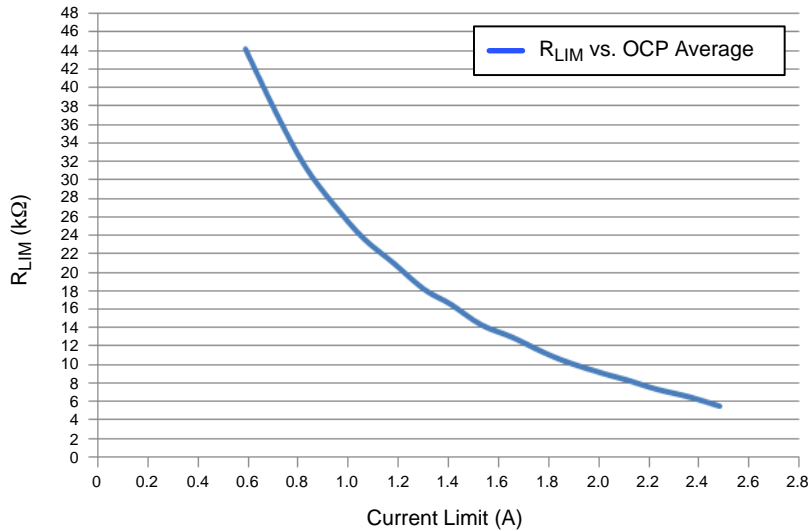


Figure 25. R_{LIM} Curve vs. Current Limit

NCP380, NCV380

When the resistor is choosing to fit with the Customer application, the limits of the over current threshold can be calculated with the following formula:

$$IOCP_{min} = 1.6915129 - 0.0330328 \times R_{lim} + 0.0011207(R_{lim} - 22.375)^2 - 0.0000451 \times (R_{lim} - 22.375)^3 + 0.0000009 \times (R_{lim} - 22.375)^4 \quad (\text{eq. 6})$$

$$IOCP_{max} = 2.2885175 - 0.0446914 \times R_{lim} + 0.0015163(R_{lim} - 22.375)^2 - 0.000061 \times (R_{lim} - 22.375)^3 + 0.0000012 \times (R_{lim} - 22.375)^4 \quad (\text{eq. 7})$$

$$IOCP_{typ} = 1.9900152 - 0.0388621 \times R_{lim} + 0.0013185(R_{lim} - 22.375)^2 - 0.0000531 \times (R_{lim} - 22.375)^3 + 0.0000011 \times (R_{lim} - 22.375)^4 \quad (\text{eq. 8})$$

The minimum, typical and maximum current curves are described in the following graph:

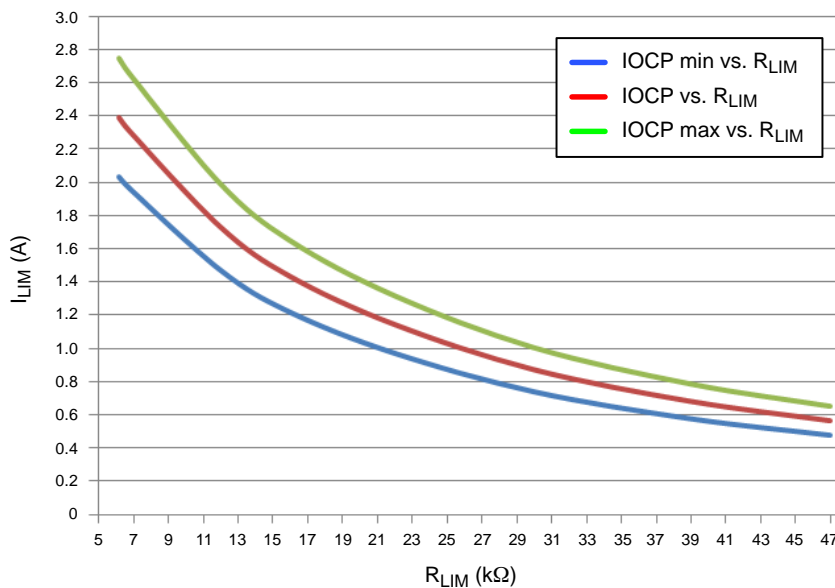


Figure 26. Current Threshold vs. Rlim Resistor

That is recommended to respect 6 kΩ–47 kΩ resistor range for two reasons.

For the low resistor values, the current limit is pushed up to high current level. Due to internal power dissipation capability, a maximum of 2.4 A typical can be set for the μDFN package if thermal consideration are respected. For the TSOP6 version 1.2 A is the maximum recommended value because the part could enter in thermal shutdown mode before constant current regulation mode.

In the other side, if we want to keep 15% of accuracy, high resistor values can be used up to 50 kΩ. With higher value, the current threshold is lower than 500 mA, so in this case degraded accuracy can be observed.

PCB Recommendations

The NCP380 integrates a PMOS FET rated up to 2 A, and the PCB design rules must be respected to properly evacuate the heat out of the silicon. The UDFN6 PAD1 must be connected to ground plane to increase the heat transfer if necessary. This pad must be connected to ground plane. By increasing PCB area, the R_{θJA} of the package can be decreased, allowing higher power dissipation.

NCP380, NCV380

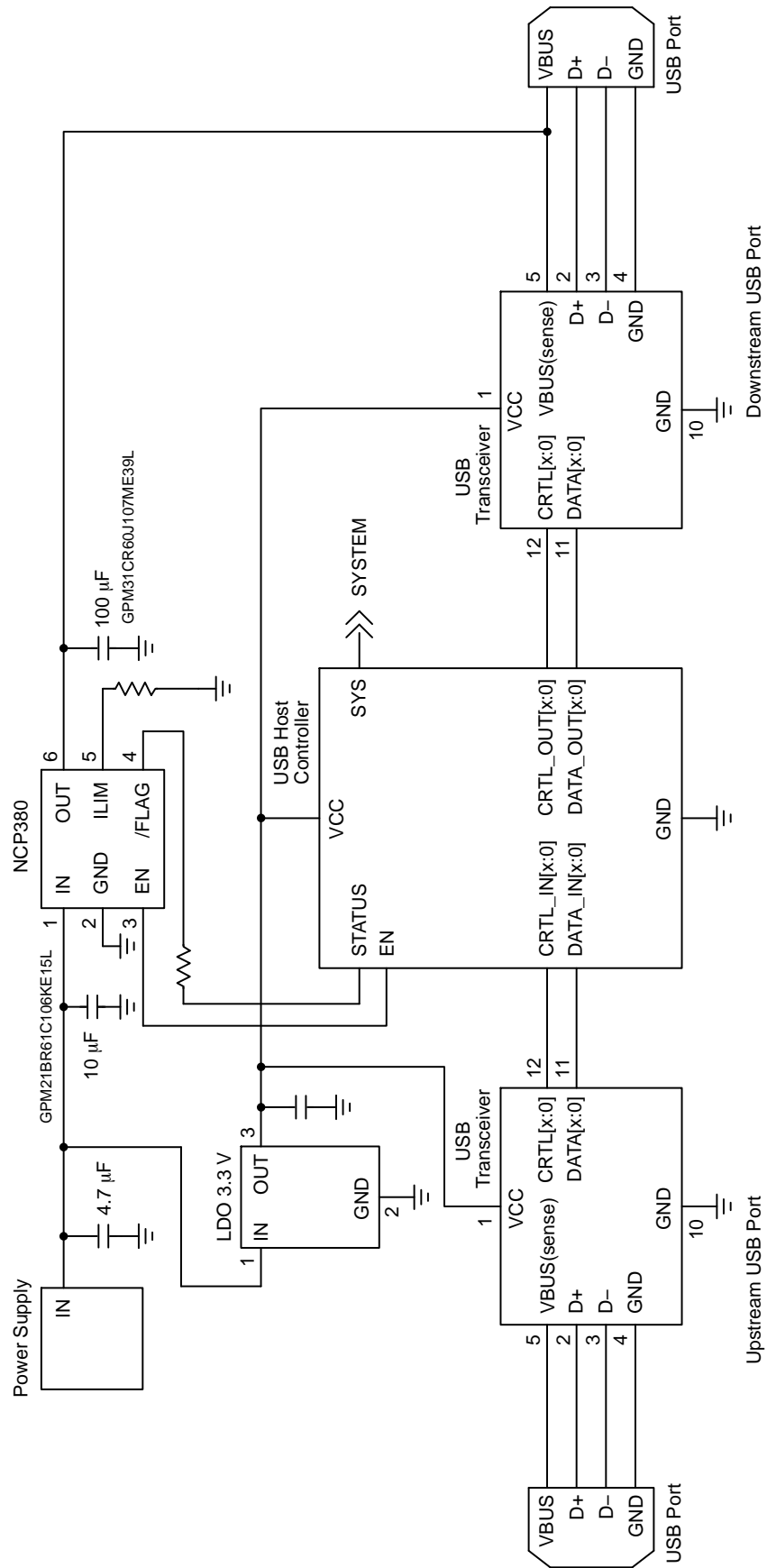


Figure 27. USB Host Typical Application

NCP380, NCV380

Table 6. ORDERING INFORMATION

| Device | Marking | Active Enable Level | Over Current Limit | Evaluation Board | UL Listed | CB Scheme | Package | Shipping† | |
|-------------------|---------|---------------------|--------------------|------------------|-----------|-----------|------------------|----------------------|------------------|
| NCP380LSNAJAAT1G | AAC | Low | Adj. | NCP380LSNAJAGEVB | Y | Y | TSOP-6 (Pb-Free) | 3,000 Tape / Reel | |
| NCP380LSN05AAT1G | AC5 | | 0.5 A | NCP380LSN05AGEVB | Y | Y | TSOP-5 (Pb-Free) | | |
| NCP380LSN10AAT1G | AC6 | | 1.0 A | NCP380LSN10AGEVB | Y | Y | | | |
| NCP380LMUJAATBG | AA | | Adj. | NCP380LMUJAGEVB | Y | Y | UDFN6 (Pb-Free) | | |
| NCV380LMUJAATBG* | AN | | Adj. | NCP380LMUJAGEVB | Y | Y | | | |
| NCP380LMU05AATBG | AE | | 0.5 A | NCP380LMU05AGEVB | Y | Y | | | |
| NCP380LMU10AATBG | AF | | 1.0 A | NCP380LMU10AGEVB | Y | Y | | | |
| NCP380LMU15AATBG | AG | | 1.5 A | NCP380LMU15AGEVB | Y | Y | | | |
| NCV380LMU15AATBG* | AQ | | 1.5 A | NCP380LMU15AGEVB | Y | Y | | | |
| NCP380LMU20AATBG | AL | | 2.0 A | NCP380LMU20AGEVB | Y | Y | | | |
| NCP380HSNAJAAT1G | AAD | High | Adj. | NCP380HSNAJAGEVB | Y | Y | | | TSOP-6 (Pb-Free) |
| NCP380HSN05AAT1G | AC7 | | 0.5 A | NCP380HSN05AGEVB | Y | Y | | | TSOP-5 (Pb-Free) |
| NCP380HSN10AAT1G | ADA | | 1.0 A | NCP380HSN10AGEVB | Y | Y | | | |
| NCP380HMUJAATBG | AC | | Adj. | NCP380HMUJAGEVB | Y | Y | UDFN6 (Pb-Free) | | |
| NCV380HMUJAATBG* | AP | | Adj. | NCP380HMUJAGEVB | Y | Y | | | |
| NCP380HMU05AATBG | AH | | 0.5 A | NCP380HMU05AGEVB | Y | Y | | | |
| NCP380HMU10AATBG | AJ | | 1.0 A | NCP380HMU10AGEVB | Y | Y | | | |
| NCP380HMU15AATBG | AK | | 1.5 A | NCP380HMU15AGEVB | Y | Y | | | |
| NCP380HMU20AATBG | AM | | 2.0 A | NCP380HMU20AGEVB | Y | Y | | | |
| NCP380HMU21AATBG | AU | | 2.1 A | NCP380HMU21AGEVB | Y | Y | | | |

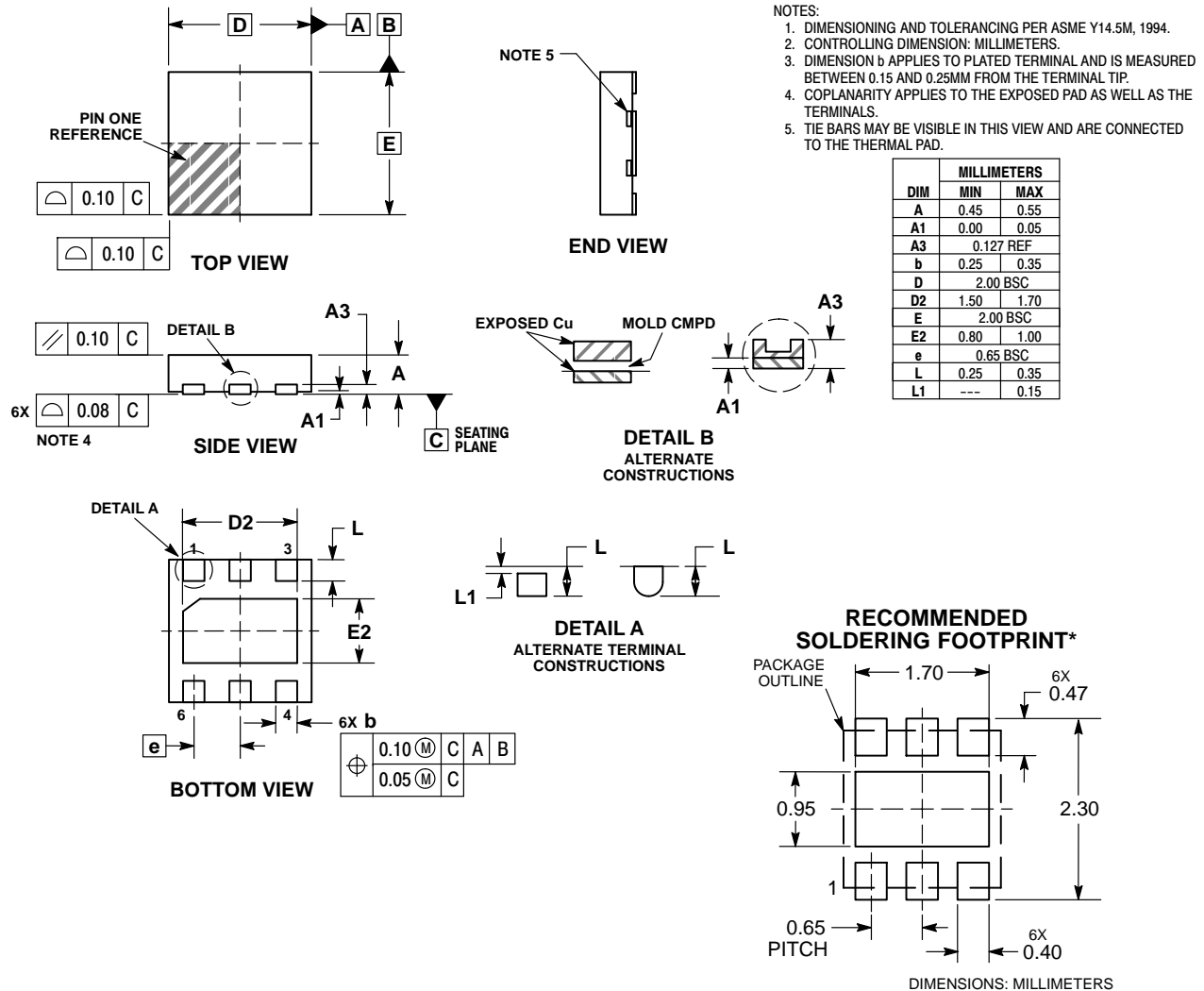
†For information on tape and reel specifications, including part orientation and tape sizes, please refer to our Tape and Reel Packaging Specifications Brochure, BRD8011/D.

*NCV Prefix for Automotive and Other Applications Requiring Unique Site and Control Change Requirements; AEC-Q100 Qualified and PPAP Capable

NCP380, NCV380

PACKAGE DIMENSIONS

UDFN6 2x2, 0.65P
CASE 517AB
ISSUE C

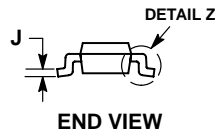
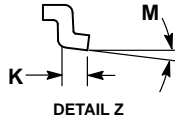
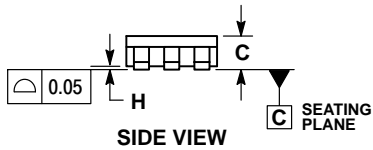
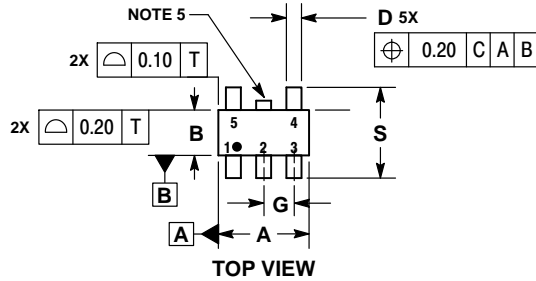


*For additional information on our Pb-Free strategy and soldering details, please download the ON Semiconductor Soldering and Mounting Techniques Reference Manual, SOLDERRM/D.

NCP380, NCV380

PACKAGE DIMENSIONS

TSOP-5 CASE 483-02 ISSUE K

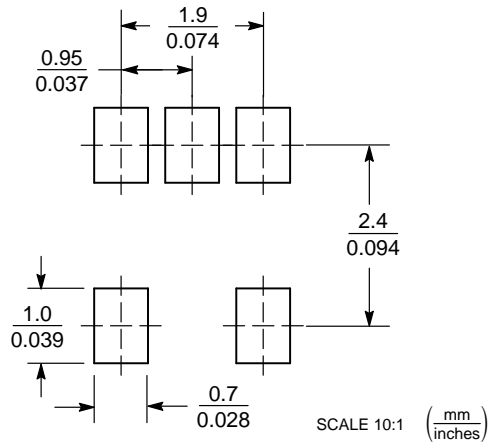


NOTES:

1. DIMENSIONING AND TOLERANCING PER ASME Y14.5M, 1994.
2. CONTROLLING DIMENSION: MILLIMETERS.
3. MAXIMUM LEAD THICKNESS INCLUDES LEAD FINISH THICKNESS. MINIMUM LEAD THICKNESS IS THE MINIMUM THICKNESS OF BASE MATERIAL.
4. DIMENSIONS A AND B DO NOT INCLUDE MOLD FLASH, PROTRUSIONS, OR GATE BURRS. MOLD FLASH, PROTRUSIONS, OR GATE BURRS SHALL NOT EXCEED 0.15 PER SIDE. DIMENSION A.
5. OPTIONAL CONSTRUCTION: AN ADDITIONAL TRIMMED LEAD IS ALLOWED IN THIS LOCATION. TRIMMED LEAD NOT TO EXTEND MORE THAN 0.2 FROM BODY.

| DIM | MILLIMETERS | |
|-----|-------------|------|
| | MIN | MAX |
| A | 3.00 BSC | |
| B | 1.50 BSC | |
| C | 0.90 | 1.10 |
| D | 0.25 | 0.50 |
| G | 0.95 BSC | |
| H | 0.01 | 0.10 |
| J | 0.10 | 0.26 |
| K | 0.20 | 0.60 |
| M | 0° 10° | |
| S | 2.50 | 3.00 |

SOLDERING FOOTPRINT*

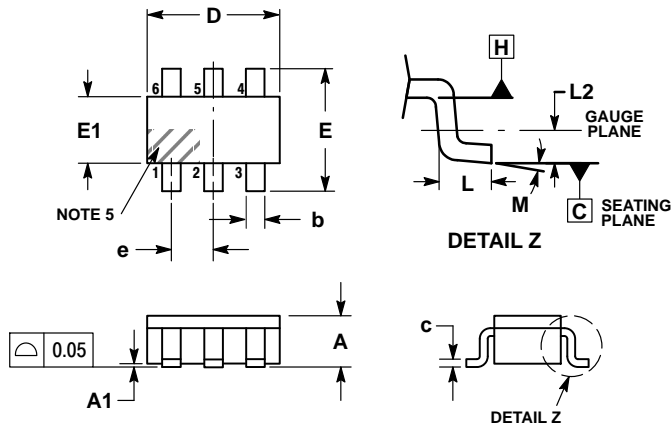


*For additional information on our Pb-Free strategy and soldering details, please download the ON Semiconductor Soldering and Mounting Techniques Reference Manual, SOLDERRM/D.

NCP380, NCV380

PACKAGE DIMENSIONS

TSOP-6 CASE 318G-02 ISSUE V

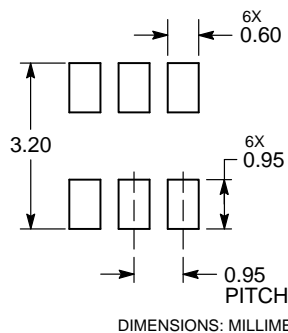


NOTES:

1. DIMENSIONING AND TOLERANCING PER ASME Y14.5M, 1994.
2. CONTROLLING DIMENSION: MILLIMETERS.
3. MAXIMUM LEAD THICKNESS INCLUDES LEAD FINISH. MINIMUM LEAD THICKNESS IS THE MINIMUM THICKNESS OF BASE MATERIAL.
4. DIMENSIONS D AND E1 DO NOT INCLUDE MOLD FLASH, PROTRUSIONS, OR GATE BURRS. MOLD FLASH, PROTRUSIONS, OR GATE BURRS SHALL NOT EXCEED 0.15 PER SIDE. DIMENSIONS D AND E1 ARE DETERMINED AT DATUM H.
5. PIN ONE INDICATOR MUST BE LOCATED IN THE INDICATED ZONE.


| DIM | MILLIMETERS | | |
|-----|-------------|------|------|
| | MIN | NOM | MAX |
| A | 0.90 | 1.00 | 1.10 |
| A1 | 0.01 | 0.06 | 0.10 |
| b | 0.25 | 0.38 | 0.50 |
| c | 0.10 | 0.18 | 0.26 |
| D | 2.90 | 3.00 | 3.10 |
| E | 2.50 | 2.75 | 3.00 |
| E1 | 1.30 | 1.50 | 1.70 |
| e | 0.85 | 0.95 | 1.05 |
| L | 0.20 | 0.40 | 0.60 |
| L2 | 0.25 BSC | | |
| M | 0° | - | 10° |

RECOMMENDED SOLDERING FOOTPRINT*



DIMENSIONS: MILLIMETERS

*For additional information on our Pb-Free strategy and soldering details, please download the ON Semiconductor Soldering and Mounting Techniques Reference Manual, SOLDERRM/D.

ON Semiconductor and the  are registered trademarks of Semiconductor Components Industries, LLC (SCILLC) or its subsidiaries in the United States and/or other countries. SCILLC owns the rights to a number of patents, trademarks, copyrights, trade secrets, and other intellectual property. A listing of SCILLC's product/patent coverage may be accessed at www.onsemi.com/site/pdf/Patent-Marking.pdf. SCILLC reserves the right to make changes without further notice to any products herein. SCILLC makes no warranty, representation or guarantee regarding the suitability of its products for any particular purpose, nor does SCILLC assume any liability arising out of the application or use of any product or circuit, and specifically disclaims any and all liability, including without limitation special, consequential or incidental damages. "Typical" parameters which may be provided in SCILLC data sheets and/or specifications can and do vary in different applications and actual performance may vary over time. All operating parameters, including "Typicals" must be validated for each customer application by customer's technical experts. SCILLC does not convey any license under its patent rights nor the rights of others. SCILLC products are not designed, intended, or authorized for use as components in systems intended for surgical implant into the body, or other applications intended to support or sustain life, or for any other application in which the failure of the SCILLC product could create a situation where personal injury or death may occur. Should Buyer purchase or use SCILLC products for any such unintended or unauthorized application, Buyer shall indemnify and hold SCILLC and its officers, employees, subsidiaries, affiliates, and distributors harmless against all claims, costs, damages, and expenses, and reasonable attorney fees arising out of, directly or indirectly, any claim of personal injury or death associated with such unintended or unauthorized use, even if such claim alleges that SCILLC was negligent regarding the design or manufacture of the part. SCILLC is an Equal Opportunity/Affirmative Action Employer. This literature is subject to all applicable copyright laws and is not for resale in any manner.

PUBLICATION ORDERING INFORMATION

LITERATURE FULFILLMENT:

Literature Distribution Center for ON Semiconductor
P.O. Box 5163, Denver, Colorado 80217 USA
Phone: 303-675-2175 or 800-344-3860 Toll Free USA/Canada
Fax: 303-675-2176 or 800-344-3867 Toll Free USA/Canada
Email: orderlit@onsemi.com

N. American Technical Support: 800-282-9855 Toll Free
USA/Canada
Europe, Middle East and Africa Technical Support:
Phone: 421 33 790 2910
Japan Customer Focus Center
Phone: 81-3-5817-1050

ON Semiconductor Website: www.onsemi.com

Order Literature: <http://www.onsemi.com/orderlit>

For additional information, please contact your local Sales Representative

Компания «Океан Электроники» предлагает заключение долгосрочных отношений при поставках импортных электронных компонентов на взаимовыгодных условиях!

Наши преимущества:

- Поставка оригинальных импортных электронных компонентов напрямую с производств Америки, Европы и Азии, а так же с крупнейших складов мира;
- Широкая линейка поставок активных и пассивных импортных электронных компонентов (более 30 млн. наименований);
- Поставка сложных, дефицитных, либо снятых с производства позиций;
- Оперативные сроки поставки под заказ (от 5 рабочих дней);
- Экспресс доставка в любую точку России;
- Помощь Конструкторского Отдела и консультации квалифицированных инженеров;
- Техническая поддержка проекта, помощь в подборе аналогов, поставка прототипов;
- Поставка электронных компонентов под контролем ВП;
- Система менеджмента качества сертифицирована по Международному стандарту ISO 9001;
- При необходимости вся продукция военного и аэрокосмического назначения проходит испытания и сертификацию в лаборатории (по согласованию с заказчиком);
- Поставка специализированных компонентов военного и аэрокосмического уровня качества (Xilinx, Altera, Analog Devices, Intersil, Interpoint, Microsemi, Actel, Aeroflex, Peregrine, VPT, Syfer, Eurofarad, Texas Instruments, MS Kennedy, Miteq, Cobham, E2V, MA-COM, Hittite, Mini-Circuits, General Dynamics и др.);

Компания «Океан Электроники» является официальным дистрибьютором и эксклюзивным представителем в России одного из крупнейших производителей разъемов военного и аэрокосмического назначения «JONHON», а так же официальным дистрибьютором и эксклюзивным представителем в России производителя высокотехнологичных и надежных решений для передачи СВЧ сигналов «FORSTAR».



JONHON

«JONHON» (основан в 1970 г.)

Разъемы специального, военного и аэрокосмического назначения:

(Применяются в военной, авиационной, аэрокосмической, морской, железнодорожной, горно- и нефтедобывающей отраслях промышленности)

«FORSTAR» (основан в 1998 г.)

ВЧ соединители, коаксиальные кабели, кабельные сборки и микроволновые компоненты:

(Применяются в телекоммуникациях гражданского и специального назначения, в средствах связи, РЛС, а так же военной, авиационной и аэрокосмической отраслях промышленности).



Телефон: 8 (812) 309-75-97 (многоканальный)

Факс: 8 (812) 320-03-32

Электронная почта: ocean@oceanchips.ru

Web: <http://oceanchips.ru/>

Адрес: 198099, г. Санкт-Петербург, ул. Калинина, д. 2, корп. 4, лит. А