

MC10E431, MC100E431

5V ECL 3-Bit Differential Flip-Flop

Description

The MC10E/100E431 is a 3-bit flip-flop with differential clock, data input and data output.

The asynchronous Set and Reset controls are edge-triggered rather than level controlled. This allows the user to rapidly set or reset the flip-flop and then continue clocking at the next clock edge, without the necessity of de-asserting the set/reset signal (as would be the case with a level controlled set/reset).

The E431 is also designed with larger internal swings, an approach intended to minimize the time spent crossing the threshold region and thus reduce the metastability susceptibility window.

The differential input structures are clamped so that the inputs of unused registers can be left open without upsetting the bias network of the device. The clamping action will assert the \overline{D} and the \overline{CLK} sides of the inputs. Because of the edge triggered flip-flop nature of the device simultaneously opening both the clock and data inputs will result in an output which reaches an unidentified but valid state. Note that the input clamps only operate when both inputs fall to 2.5 V below V_{CC} .

The V_{BB} pin, an internally generated voltage supply, is available to this device only. For single-ended input conditions, the unused differential input is connected to V_{BB} as a switching reference voltage. V_{BB} may also rebias AC coupled inputs. When used, decouple V_{BB} and V_{CC} via a 0.01 μ F capacitor and limit current sourcing or sinking to 0.5 mA. When not used, V_{BB} should be left open.

The 100 Series contains temperature compensation.

Features

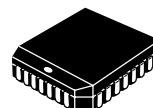
- Edge-Triggered Asynchronous Set and Reset
- Differential D, CLK and Q; V_{BB} Reference Available
- 1100 MHz Min. Toggle Frequency
- PECL Mode Operating Range: $V_{CC} = 4.2$ V to 5.7 V with $V_{EE} = 0$ V
- NECL Mode Operating Range: $V_{CC} = 0$ V with $V_{EE} = -4.2$ V to -5.7 V
- Internal Input 50 k Ω Pulldown Resistors
- ESD Protection: Human Body Model; > 2 kV, Machine Model; > 200 V Charged Device Model; > 2 kV
- Meets or Exceeds JEDEC Spec EIA/JESD78 IC Latchup Test
- Moisture Sensitivity Level: Pb = 1; Pb-Free = 3 For Additional Information, see Application Note AND8003/D
- Flammability Rating: UL 94 V-0 @ 0.125 in, Oxygen Index: 28 to 34
- Transistor Count = 348 devices
- Pb-Free Packages are Available*

*For additional information on our Pb-Free strategy and soldering details, please download the ON Semiconductor Soldering and Mounting Techniques Reference Manual, SOLDERRM/D.



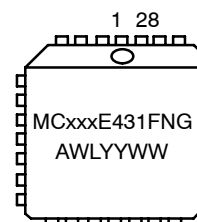
ON Semiconductor®

<http://onsemi.com>



PLCC-28
FN SUFFIX
CASE 776

MARKING DIAGRAM*



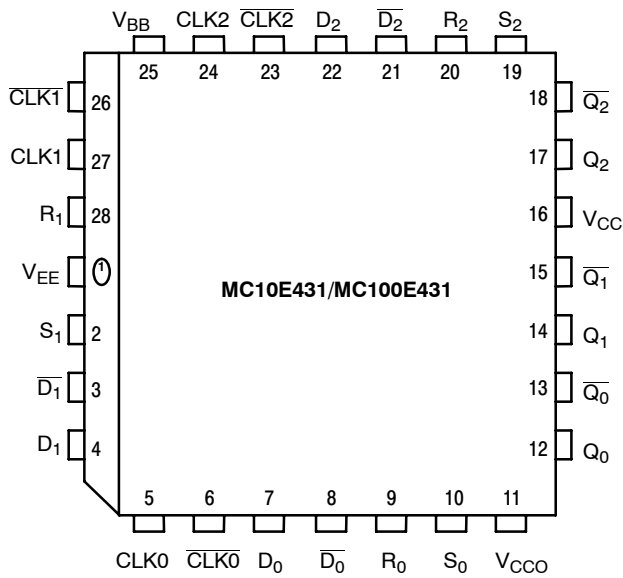
| | |
|-----|---------------------|
| xxx | = 10 or 100 |
| A | = Assembly Location |
| WL | = Wafer Lot |
| YY | = Year |
| WW | = Work Week |
| G | = Pb-Free Package |

*For additional marking information, refer to Application Note AND8002/D.

ORDERING INFORMATION

See detailed ordering and shipping information in the package dimensions section on page 7 of this data sheet.

MC10E431, MC100E431



* All V_{CC} and V_{CCO} pins are tied together on the die.

Warning: All V_{CC} , V_{CCO} , and V_{EE} pins must be externally connected to Power Supply to guarantee proper operation.

Figure 1. Pinout: PLCC-28 (Top View)

Table 1. PIN DESCRIPTION

| PIN | FUNCTION |
|------------------------------------|--------------------------------|
| $D[0:2]$, $\overline{D}[0:2]$ | ECL Differential Data Inputs |
| $CLK[0:2]$, $\overline{CLK}[0:2]$ | ECL Differential Clock |
| $S[0:2]$ | ECL Edge Triggered Set Inputs |
| $R[0:2]$ | ECL Edge Triggered Reset Input |
| $Q[0:2]$, $\overline{Q}[0:2]$ | ECL Differential Data Outputs |
| V_{BB} | Reference Voltage Output |
| V_{CC} , V_{CCO} | Positive Supply |
| V_{EE} | Negative Supply |

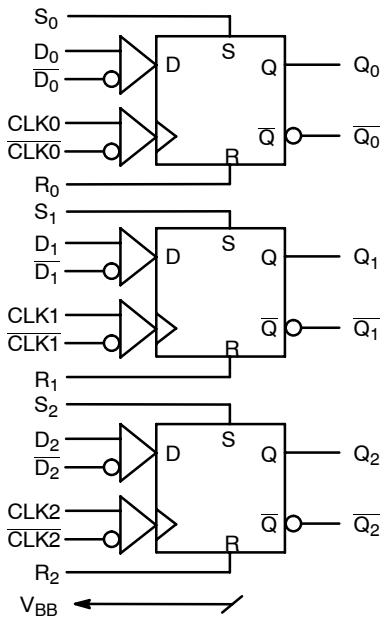


Figure 2. Logic Diagram

Table 2. FUNCTION TABLE

| D_n | CLK_n | R_n | S_n | Q_n |
|-------|---------|-------|-------|-------|
| L | Z | L | L | L |
| H | Z | L | L | H |
| X | X | Z | L | L |
| X | X | L | Z | H |

Z = Low to high transition

X = Don't Care

MC10E431, MC100E431

Table 3. MAXIMUM RATINGS

| Symbol | Parameter | Condition 1 | Condition 2 | Rating | Unit |
|---------------|--|-----------------------|-------------------|-------------|-----------------------------|
| V_{CC} | PECL Mode Power Supply | $V_{EE} = 0\text{ V}$ | | 8 | V |
| V_I | PECL Mode Input Voltage | $V_{EE} = 0\text{ V}$ | $V_I \leq V_{CC}$ | 6 | V |
| | NECL Mode Input Voltage | $V_{CC} = 0\text{ V}$ | $V_I \geq V_{EE}$ | -6 | V |
| I_{out} | Output Current | Continuous Surge | | 50 | mA |
| | | | | 100 | mA |
| I_{BB} | V_{BB} Sink/Source | | | ± 0.5 | mA |
| T_A | Operating Temperature Range | | | 0 to +85 | $^{\circ}\text{C}$ |
| T_{stg} | Storage Temperature Range | | | -65 to +150 | $^{\circ}\text{C}$ |
| θ_{JA} | Thermal Resistance (Junction-to-Ambient) | 0 lfpm | PLCC-28 | 63.5 | $^{\circ}\text{C}/\text{W}$ |
| | | 500 lfpm | PLCC-28 | 43.5 | $^{\circ}\text{C}/\text{W}$ |
| θ_{JC} | Thermal Resistance (Junction-to-Case) | Standard Board | PLCC-28 | 22 to 26 | $^{\circ}\text{C}/\text{W}$ |
| T_{sol} | Wave Solder | Pb Pb-Free | | 265 | $^{\circ}\text{C}$ |
| | | | | 265 | $^{\circ}\text{C}$ |

Stresses exceeding Maximum Ratings may damage the device. Maximum Ratings are stress ratings only. Functional operation above the Recommended Operating Conditions is not implied. Extended exposure to stresses above the Recommended Operating Conditions may affect device reliability.

MC10E431, MC100E431

Table 4. 10E SERIES PECL DC CHARACTERISTICS $V_{CCx}= 5.0\text{ V}$; $V_{EE}= 0.0\text{ V}$ (Note 1)

| Symbol | Characteristic | 0°C | | | 25°C | | | 85°C | | | Unit |
|-------------|--|------|------|------|------|------|------|------|------|------|---------------|
| | | Min | Typ | Max | Min | Typ | Max | Min | Typ | Max | |
| I_{EE} | Power Supply Current | | 110 | 132 | | 110 | 132 | | 110 | 132 | mA |
| V_{OH} | Output HIGH Voltage (Note 2) | 3980 | 4070 | 4160 | 4020 | 4105 | 4190 | 4090 | 4185 | 4280 | mV |
| V_{OL} | Output LOW Voltage (Note 2) | 3050 | 3210 | 3370 | 3050 | 3210 | 3370 | 3050 | 3227 | 3405 | mV |
| V_{IH} | Input HIGH Voltage (Single-Ended) | 3830 | 3995 | 4160 | 3870 | 4030 | 4190 | 3940 | 4110 | 4280 | mV |
| V_{IL} | Input LOW Voltage (Single-Ended) | 3050 | 3285 | 3520 | 3050 | 3285 | 3520 | 3050 | 3302 | 3555 | mV |
| V_{BB} | Output Voltage Reference | 3.62 | | 3.74 | 3.65 | | 3.75 | 3.69 | | 3.81 | V |
| V_{IHCMR} | Input HIGH Voltage Common Mode Range (Differential Configuration) (Note 3) | 2.7 | | 5.0 | 2.7 | | 5.0 | 2.7 | | 5.0 | V |
| I_{IH} | Input HIGH Current | | | 150 | | | 150 | | | 150 | μA |
| I_{IL} | Input LOW Current | 0.5 | 0.3 | | 0.5 | 0.25 | | 0.3 | 0.2 | | μA |

NOTE: Device will meet the specifications after thermal equilibrium has been established when mounted in a test socket or printed circuit board with maintained transverse airflow greater than 500 lfpm. Electrical parameters are guaranteed only over the declared operating temperature range. Functional operation of the device exceeding these conditions is not implied. Device specification limit values are applied individually under normal operating conditions and not valid simultaneously.

1. Input and output parameters vary 1:1 with V_{CC} . V_{EE} can vary $-0.46\text{ V} / +0.06\text{ V}$.
2. Outputs are terminated through a $50\ \Omega$ resistor to $V_{CC} - 2.0\text{ V}$.
3. V_{IHCMR} min varies 1:1 with V_{EE} , max varies 1:1 with V_{CC} .

Table 5. 10E SERIES NECL DC CHARACTERISTICS $V_{CCx}= 0.0\text{ V}$; $V_{EE}= -5.0\text{ V}$ (Note 4)

| Symbol | Characteristic | 0°C | | | 25°C | | | 85°C | | | Unit |
|-------------|--|-------|-------|-------|-------|-------|-------|-------|-------|-------|---------------|
| | | Min | Typ | Max | Min | Typ | Max | Min | Typ | Max | |
| I_{EE} | Power Supply Current | | 110 | 132 | | 110 | 132 | | 110 | 132 | mA |
| V_{OH} | Output HIGH Voltage (Note 5) | -1020 | -930 | -840 | -980 | -895 | -810 | -910 | -815 | -720 | mV |
| V_{OL} | Output LOW Voltage (Note 5) | -1950 | -1790 | -1630 | -1950 | -1790 | -1630 | -1950 | -1773 | -1595 | mV |
| V_{IH} | Input HIGH Voltage (Single-Ended) | -1170 | -1005 | -840 | -1130 | -970 | -810 | -1060 | -890 | -720 | mV |
| V_{IL} | Input LOW Voltage (Single-Ended) | -1950 | -1715 | -1480 | -1950 | -1715 | -1480 | -1950 | -1698 | -1445 | mV |
| V_{BB} | Output Voltage Reference | -1.38 | | -1.27 | -1.35 | | -1.25 | -1.31 | | -1.19 | V |
| V_{IHCMR} | Input HIGH Voltage Common Mode Range (Differential Configuration) (Note 6) | -2.3 | | 0.0 | -2.3 | | 0.0 | -2.3 | | 0.0 | V |
| I_{IH} | Input HIGH Current | | | 150 | | | 150 | | | 150 | μA |
| I_{IL} | Input LOW Current | 0.5 | 0.3 | | 0.5 | 0.065 | | 0.3 | 0.2 | | μA |

NOTE: Device will meet the specifications after thermal equilibrium has been established when mounted in a test socket or printed circuit board with maintained transverse airflow greater than 500 lfpm. Electrical parameters are guaranteed only over the declared operating temperature range. Functional operation of the device exceeding these conditions is not implied. Device specification limit values are applied individually under normal operating conditions and not valid simultaneously.

4. Input and output parameters vary 1:1 with V_{CC} . V_{EE} can vary $-0.46\text{ V} / +0.06\text{ V}$.
5. Outputs are terminated through a $50\ \Omega$ resistor to $V_{CC} - 2.0\text{ V}$.
6. V_{IHCMR} min varies 1:1 with V_{EE} , max varies 1:1 with V_{CC} .

MC10E431, MC100E431

Table 6. 100E SERIES PECL DC CHARACTERISTICS $V_{CCx} = 5.0\text{ V}$; $V_{EE} = 0.0\text{ V}$ (Note 7)

| Symbol | Characteristic | 0°C | | | 25°C | | | 85°C | | | Unit |
|-------------|--|------|------|------|------|------|------|------|------|------|---------------|
| | | Min | Typ | Max | Min | Typ | Max | Min | Typ | Max | |
| I_{EE} | Power Supply Current | | 110 | 132 | | 110 | 132 | | 127 | 152 | mA |
| V_{OH} | Output HIGH Voltage (Note 8) | 3975 | 4050 | 4120 | 3975 | 4050 | 4120 | 3975 | 4050 | 4120 | mV |
| V_{OL} | Output LOW Voltage (Note 8) | 3190 | 3295 | 3380 | 3190 | 3255 | 3380 | 3190 | 3260 | 3380 | mV |
| V_{IH} | Input HIGH Voltage (Single-Ended) | 3835 | 3975 | 4120 | 3835 | 3975 | 4120 | 3835 | 3975 | 4120 | mV |
| V_{IL} | Input LOW Voltage (Single-Ended) | 3190 | 3355 | 3525 | 3190 | 3355 | 3525 | 3190 | 3355 | 3525 | mV |
| V_{BB} | Output Voltage Reference | 3.62 | | 3.74 | 3.62 | | 3.74 | 3.62 | | 3.74 | V |
| V_{IHCMR} | Input HIGH Voltage Common Mode Range (Differential Configuration) (Note 9) | 2.7 | | 5.0 | 2.7 | | 5.0 | 2.7 | | 5.0 | V |
| I_{IH} | Input HIGH Current | | | 150 | | | 150 | | | 150 | μA |
| I_{IL} | Input LOW Current | 0.5 | 0.3 | | 0.5 | 0.25 | | 0.5 | 0.2 | | μA |

NOTE: Device will meet the specifications after thermal equilibrium has been established when mounted in a test socket or printed circuit board with maintained transverse airflow greater than 500 lfm. Electrical parameters are guaranteed only over the declared operating temperature range. Functional operation of the device exceeding these conditions is not implied. Device specification limit values are applied individually under normal operating conditions and not valid simultaneously.

7. Input and output parameters vary 1:1 with V_{CC} . V_{EE} can vary $-0.46\text{ V} / +0.8\text{ V}$.

8. Outputs are terminated through a $50\ \Omega$ resistor to $V_{CC} - 2.0\text{ V}$.

9. V_{IHCMR} min varies 1:1 with V_{EE} , max varies 1:1 with V_{CC} .

Table 7. 100E SERIES NECL DC CHARACTERISTICS $V_{CCx} = 0.0\text{ V}$; $V_{EE} = -5.0\text{ V}$ (Note 10)

| Symbol | Characteristic | 0°C | | | 25°C | | | 85°C | | | Unit |
|-------------|---|-------|-------|-------|-------|-------|-------|-------|-------|-------|---------------|
| | | Min | Typ | Max | Min | Typ | Max | Min | Typ | Max | |
| I_{EE} | Power Supply Current | | 110 | 132 | | 110 | 132 | | 127 | 152 | mA |
| V_{OH} | Output HIGH Voltage (Note 11) | -1025 | -950 | -880 | -1025 | -950 | -880 | -1025 | -950 | -880 | mV |
| V_{OL} | Output LOW Voltage (Note 11) | -1810 | -1705 | -1620 | -1810 | -1745 | -1620 | -1810 | -1740 | -1620 | mV |
| V_{IH} | Input HIGH Voltage (Single-Ended) | -1165 | -1025 | -880 | -1165 | -1025 | -880 | -1165 | -1025 | -880 | mV |
| V_{IL} | Input LOW Voltage (Single-Ended) | -1810 | -1645 | -1475 | -1810 | -1645 | -1475 | -1810 | -1645 | -1475 | mV |
| V_{BB} | Output Voltage Reference | -1.38 | | -1.26 | -1.38 | | -1.26 | -1.38 | | -1.26 | V |
| V_{IHCMR} | Input HIGH Voltage Common Mode Range (Differential Configuration) (Note 12) | -2.3 | | 0.0 | -2.3 | | 0.0 | -2.3 | | 0.0 | V |
| I_{IH} | Input HIGH Current | | | 150 | | | 150 | | | 150 | μA |
| I_{IL} | Input LOW Current | 0.5 | 0.3 | | 0.5 | 0.25 | | 0.5 | 0.2 | | μA |

NOTE: Device will meet the specifications after thermal equilibrium has been established when mounted in a test socket or printed circuit board with maintained transverse airflow greater than 500 lfm. Electrical parameters are guaranteed only over the declared operating temperature range. Functional operation of the device exceeding these conditions is not implied. Device specification limit values are applied individually under normal operating conditions and not valid simultaneously.

10. Input and output parameters vary 1:1 with V_{CC} . V_{EE} can vary $-0.46\text{ V} / +0.8\text{ V}$.

11. Outputs are terminated through a $50\ \Omega$ resistor to $V_{CC} - 2.0\text{ V}$.

12. V_{IHCMR} min varies 1:1 with V_{EE} , max varies 1:1 with V_{CC} .

MC10E431, MC100E431

Table 8. AC CHARACTERISTICS $V_{CCx} = 5.0\text{ V}$; $V_{EE} = 0.0\text{ V}$ or $V_{CCx} = 0.0\text{ V}$; $V_{EE} = -5.0\text{ V}$ (Note 13)

| Symbol | Characteristic | -40°C | | | 25°C | | | 85°C | | | Unit |
|------------------------|---|---------------------|-------------------|-------------------|---------------------|-------------------|-------------------|---------------------|-------------------|-------------------|------|
| | | Min | Typ | Max | Min | Typ | Max | Min | Typ | Max | |
| f_{MAX} | Maximum Toggle Frequency | | | | | 1.1 | | | | | GHz |
| t_{PLH} t_{PHL} | Propagation Delay to Output CLK R S | 550 500 500 | 700 725 725 | 850 975 975 | 550 550 550 | 700 725 725 | 850 925 925 | 550 550 550 | 700 725 725 | 850 925 925 | ps |
| t_S | Setup Time D R (Note 14) S (Note 14) | 250 1100 1100 | 0 700 700 | | 200 1000 1000 | 0 700 700 | | 200 1000 1000 | 0 700 700 | | ps |
| t_H | Hold Time D | 250 | 0 | | 200 | 0 | | 200 | 0 | | ps |
| t_{PW} | Minimum Pulse Width CLK | 400 | | | 400 | | | 400 | | | ps |
| t_{skew} | Within-Device Skew (Note 15) | | 50 | | | | | | 50 | | ps |
| t_{JITTER} | Random Clock Jitter (RMS) | | < 1 | | | < 1 | | | < 1 | | ps |
| V_{PP} | Input Voltage Swing (Differential Configuration) | 150 | | 1000 | 150 | | 1000 | 150 | | 1000 | mV |
| t_r/t_f | Rise/Fall Times (20–80%) | 250 | 450 | 700 | | | | 275 | 450 | 650 | ps |

NOTE: Device will meet the specifications after thermal equilibrium has been established when mounted in a test socket or printed circuit board with maintained transverse airflow greater than 500 lfm. Electrical parameters are guaranteed only over the declared operating temperature range. Functional operation of the device exceeding these conditions is not implied. Device specification limit values are applied individually under normal operating conditions and not valid simultaneously.

13. 10 Series: V_{EE} can vary $-0.46\text{ V} / +0.06\text{ V}$.

100 Series: V_{EE} can vary $-0.46\text{ V} / +0.8\text{ V}$.

14. These setup times define the minimum time the CLK or SET/RESET input must wait after the assertion of the RESET/SET input to assure the proper operation of the flip-flop.

15. Within-device skew is defined as identical transitions on similar paths through a device.

MC10E431, MC100E431



Figure 3. Typical Termination for Output Driver and Device Evaluation
(See Application Note AND8020/D – Termination of ECL Logic Devices.)

ORDERING INFORMATION

| Device | Package | Shipping [†] |
|----------------|----------------------|-----------------------|
| MC10E431FN | PLCC-28 | 37 Units / Rail |
| MC10E431FNG | PLCC-28 (Pb-Free) | 37 Units / Rail |
| MC10E431FNR2 | PLCC-28 | 500 / Tape & Reel |
| MC10E431FNR2G | PLCC-28 (Pb-Free) | 500 / Tape & Reel |
| MC100E431FN | PLCC-28 | 37 Units / Rail |
| MC100E431FNG | PLCC-28 (Pb-Free) | 37 Units / Rail |
| MC100E431FNR2 | PLCC-28 | 500 / Tape & Reel |
| MC100E431FNR2G | PLCC-28 (Pb-Free) | 500 / Tape & Reel |

[†]For information on tape and reel specifications, including part orientation and tape sizes, please refer to our Tape and Reel Packaging Specifications Brochure, BRD8011/D.

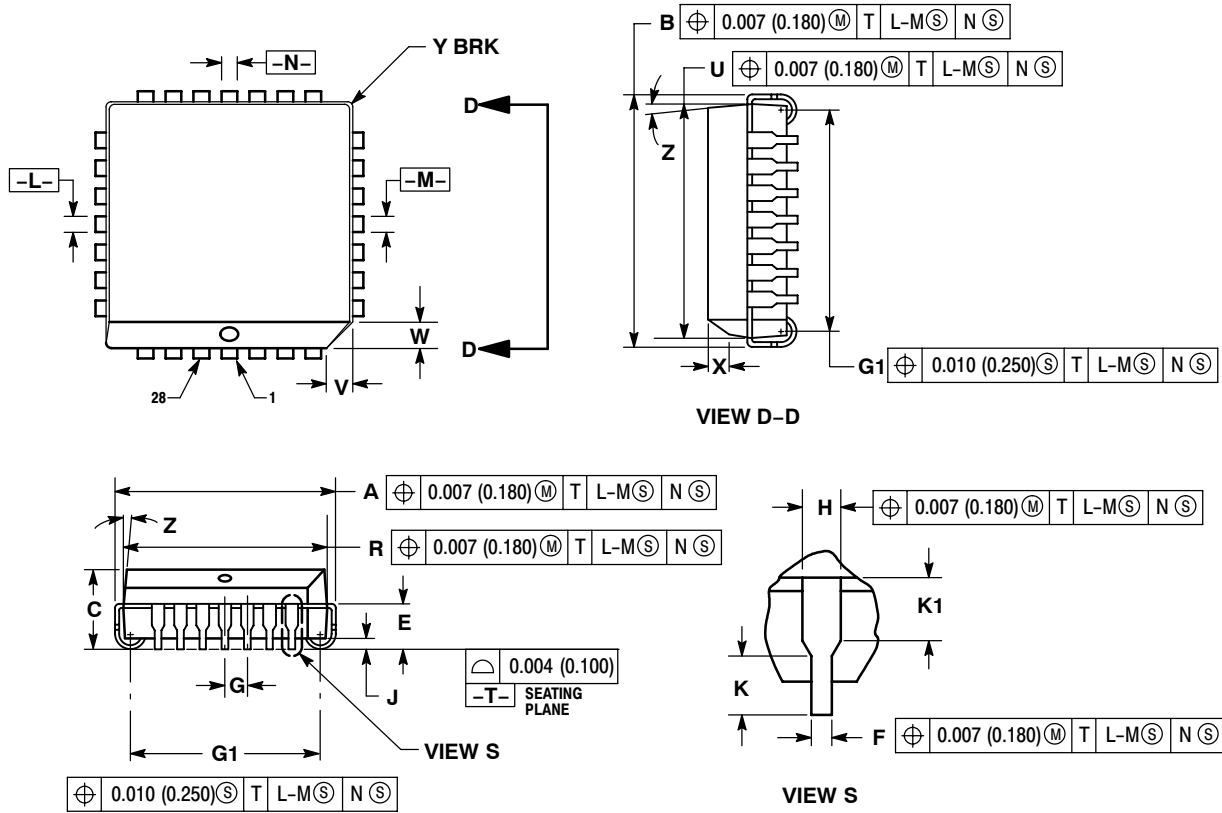
Resource Reference of Application Notes

- AN1405/D** – ECL Clock Distribution Techniques
- AN1406/D** – Designing with PECL (ECL at +5.0 V)
- AN1503/D** – ECLinPS™ I/O SPICE Modeling Kit
- AN1504/D** – Metastability and the ECLinPS Family
- AN1568/D** – Interfacing Between LVDS and ECL
- AN1672/D** – The ECL Translator Guide
- AND8001/D** – Odd Number Counters Design
- AND8002/D** – Marking and Date Codes
- AND8020/D** – Termination of ECL Logic Devices
- AND8066/D** – Interfacing with ECLinPS
- AND8090/D** – AC Characteristics of ECL Devices

MC10E431, MC100E431

PACKAGE DIMENSIONS

PLCC-28
FN SUFFIX
PLASTIC PLCC PACKAGE
CASE 776-02
ISSUE E



NOTES:

- DATUMS -L-, -M-, AND -N- DETERMINED WHERE TOP OF LEAD SHOULDER EXITS PLASTIC BODY AT MOLD PARTING LINE.
- DIMENSION G1, TRUE POSITION TO BE MEASURED AT DATUM -T-, SEATING PLANE.
- DIMENSIONS R AND U DO NOT INCLUDE MOLD FLASH. ALLOWABLE MOLD FLASH IS 0.010 (0.250) PER SIDE.
- DIMENSIONING AND TOLERANCING PER ANSI Y14.5M, 1982.
- CONTROLLING DIMENSION: INCH.
- THE PACKAGE BOTTOM MAY BE SMALLER THAN THE PACKAGE TOP BY UP TO 0.012 (0.300). DIMENSIONS R AND U ARE DETERMINED AT THE OUTERMOST EXTREMES OF THE PLASTIC BODY EXCLUSIVE OF MOLD FLASH, TIE BAR BURRS, GATE BURRS AND INTERLEAD FLASH, BUT INCLUDING ANY MISMATCH BETWEEN THE TOP AND BOTTOM OF THE PLASTIC BODY.
- DIMENSION H DOES NOT INCLUDE DAMBAR PROTRUSION OR INTRUSION. THE DAMBAR PROTRUSION(S) SHALL NOT CAUSE THE H DIMENSION TO BE GREATER THAN 0.037 (0.940). THE DAMBAR INTRUSION(S) SHALL NOT CAUSE THE H DIMENSION TO BE SMALLER THAN 0.025 (0.635).

| DIM | INCHES | | MILLIMETERS | |
|-----|-----------|-------|-------------|-------|
| | MIN | MAX | MIN | MAX |
| A | 0.485 | 0.495 | 12.32 | 12.57 |
| B | 0.485 | 0.495 | 12.32 | 12.57 |
| C | 0.165 | 0.180 | 4.20 | 4.57 |
| E | 0.090 | 0.110 | 2.29 | 2.79 |
| F | 0.013 | 0.019 | 0.33 | 0.48 |
| G | 0.050 BSC | | 1.27 BSC | |
| H | 0.026 | 0.032 | 0.66 | 0.81 |
| J | 0.020 | --- | 0.51 | --- |
| K | 0.025 | --- | 0.64 | --- |
| R | 0.450 | 0.456 | 11.43 | 11.58 |
| U | 0.450 | 0.456 | 11.43 | 11.58 |
| V | 0.042 | 0.048 | 1.07 | 1.21 |
| W | 0.042 | 0.048 | 1.07 | 1.21 |
| X | 0.042 | 0.056 | 1.07 | 1.42 |
| Y | --- | 0.020 | --- | 0.50 |
| Z | 2° | | 10° | |
| G1 | 0.410 | 0.430 | 10.42 | 10.92 |
| K1 | 0.040 | --- | 1.02 | --- |

MC10E431, MC100E431

ECLinPS is a trademark of Semiconductor Components Industries, LLC (SCILLC).

ON Semiconductor and **ON** are registered trademarks of Semiconductor Components Industries, LLC (SCILLC). SCILLC reserves the right to make changes without further notice to any products herein. SCILLC makes no warranty, representation or guarantee regarding the suitability of its products for any particular purpose, nor does SCILLC assume any liability arising out of the application or use of any product or circuit, and specifically disclaims any and all liability, including without limitation special, consequential or incidental damages. "Typical" parameters which may be provided in SCILLC data sheets and/or specifications can and do vary in different applications and actual performance may vary over time. All operating parameters, including "Typicals" must be validated for each customer application by customer's technical experts. SCILLC does not convey any license under its patent rights nor the rights of others. SCILLC products are not designed, intended, or authorized for use as components in systems intended for surgical implant into the body, or other applications intended to support or sustain life, or for any other application in which the failure of the SCILLC product could create a situation where personal injury or death may occur. Should Buyer purchase or use SCILLC products for any such unintended or unauthorized application, Buyer shall indemnify and hold SCILLC and its officers, employees, subsidiaries, affiliates, and distributors harmless against all claims, costs, damages, and expenses, and reasonable attorney fees arising out of, directly or indirectly, any claim of personal injury or death associated with such unintended or unauthorized use, even if such claim alleges that SCILLC was negligent regarding the design or manufacture of the part. SCILLC is an Equal Opportunity/Affirmative Action Employer. This literature is subject to all applicable copyright laws and is not for resale in any manner.

PUBLICATION ORDERING INFORMATION

LITERATURE FULFILLMENT:

Literature Distribution Center for ON Semiconductor
P.O. Box 5163, Denver, Colorado 80217 USA
Phone: 303-675-2175 or 800-344-3860 Toll Free USA/Canada
Fax: 303-675-2176 or 800-344-3867 Toll Free USA/Canada
Email: orderlit@onsemi.com

N. American Technical Support: 800-282-9855 Toll Free
USA/Canada
Europe, Middle East and Africa Technical Support:
Phone: 421 33 790 2910
Japan Customer Focus Center
Phone: 81-3-5773-3850

ON Semiconductor Website: www.onsemi.com
Order Literature: <http://www.onsemi.com/orderlit>

For additional information, please contact your local
Sales Representative

Компания «Океан Электроники» предлагает заключение долгосрочных отношений при поставках импортных электронных компонентов на взаимовыгодных условиях!

Наши преимущества:

- Поставка оригинальных импортных электронных компонентов напрямую с производств Америки, Европы и Азии, а так же с крупнейших складов мира;
- Широкая линейка поставок активных и пассивных импортных электронных компонентов (более 30 млн. наименований);
- Поставка сложных, дефицитных, либо снятых с производства позиций;
- Оперативные сроки поставки под заказ (от 5 рабочих дней);
- Экспресс доставка в любую точку России;
- Помощь Конструкторского Отдела и консультации квалифицированных инженеров;
- Техническая поддержка проекта, помощь в подборе аналогов, поставка прототипов;
- Поставка электронных компонентов под контролем ВП;
- Система менеджмента качества сертифицирована по Международному стандарту ISO 9001;
- При необходимости вся продукция военного и аэрокосмического назначения проходит испытания и сертификацию в лаборатории (по согласованию с заказчиком);
- Поставка специализированных компонентов военного и аэрокосмического уровня качества (Xilinx, Altera, Analog Devices, Intersil, Interpoint, Microsemi, Actel, Aeroflex, Peregrine, VPT, Syfer, Eurofarad, Texas Instruments, MS Kennedy, Miteq, Cobham, E2V, MA-COM, Hittite, Mini-Circuits, General Dynamics и др.);

Компания «Океан Электроники» является официальным дистрибьютором и эксклюзивным представителем в России одного из крупнейших производителей разъемов военного и аэрокосмического назначения «JONHON», а так же официальным дистрибьютором и эксклюзивным представителем в России производителя высокотехнологичных и надежных решений для передачи СВЧ сигналов «FORSTAR».



JONHON

«JONHON» (основан в 1970 г.)

Разъемы специального, военного и аэрокосмического назначения:

(Применяются в военной, авиационной, аэрокосмической, морской, железнодорожной, горно- и нефтедобывающей отраслях промышленности)

«FORSTAR» (основан в 1998 г.)

ВЧ соединители, коаксиальные кабели, кабельные сборки и микроволновые компоненты:

(Применяются в телекоммуникациях гражданского и специального назначения, в средствах связи, РЛС, а так же военной, авиационной и аэрокосмической отраслях промышленности).



Телефон: 8 (812) 309-75-97 (многоканальный)

Факс: 8 (812) 320-03-32

Электронная почта: ocean@oceanchips.ru

Web: <http://oceanchips.ru/>

Адрес: 198099, г. Санкт-Петербург, ул. Калинина, д. 2, корп. 4, лит. А