

LT3652EDD

2A Monolithic Multichemistry Battery Charger for Solar Power

DESCRIPTION

Demonstration circuit 1568A is a 2A monolithic multichemistry battery charger for solar power applications featuring the LT3652EDD. The LT3652 is a complete mid-power Li-Ion battery charger that can operate over a wide input voltage range. The charger employs a 3.3V float voltage feedback reference that allows the battery float voltage to be adjusted up to 14.4V. The LT3652 has an input voltage regulation loop which reduces charge current if the input falls below a programmed level, set with a resistor divider. The circuit provides CC/CV charging with a 2A maximum charge current that is programmed by

a sense resistor. A precondition feature trickle charges a low voltage battery, and bad battery detection provides a signal if the battery does not respond to preconditioning.

The LT3652EDD is available in a 12-lead (3mm × 3mm) DFN surface mount package with an exposed pad.

Design files for this circuit board are available at <http://www.linear.com/demo>

LT, LT, LTC, LTM, μ Module, Linear Technology and the Linear logo are registered trademarks of Linear Technology Corporation. All other trademarks are the property of their respective owners.

PERFORMANCE SUMMARY (T_A = 25°C)

PARAMETER	CONDITIONS	VALUE
Input Voltage Range		11.5V to 32V
V _{OUT}		8.14V to 8.26V
Output Float Voltage	Constant Voltage Mode	8.2V
Output Current Limit ILIM	V _{IN_REG} Greater Than 2.7V	2A

OPERATING PRINCIPLES

LT3652 is a complete monolithic mid-power Li-Ion battery charger, addressing high input voltage applications with solutions that require a minimum of external components. The IC uses a 1MHz constant frequency, average-current mode step-down architecture.

The LT3652 maximizes efficiency during charging cycles by using a bootstrapped supply to drive the internal power switch. When the output voltage is programmed to 8.2V, the circuit provides full charge over a wide 11.5V to 32V input range. A precision threshold shutdown pin allows the incorporation of UVLO functionality using a simple resistor divider. The IC can also be put into a low current shutdown mode, in which the input supply bias is reduced to only 15 μ A.

The LT3652 charge current control allows maximum power point tracking (MPPT) use with solar panels. The overall maximum charge current is set using an external inductor current sense resistor. An input voltage regulation pin allows the charger to reduce the battery charge current if necessary so the solar panel produces the most power.

The LT3652 automatically enters a battery precondition mode if the sensed battery voltage is very low. In this mode, the charging current is reduced to 15% of the programmed maximum, as set by the inductor sense resistor, R_{SENSE}. Once the battery voltage increases to the precondition threshold, the IC automatically increases

OPERATING PRINCIPLES

maximum charging current to the full programmed value. DC1568A programs the output voltage to be 8.2V, and the 5.7V precondition threshold is internally set as a fraction of the programmed output voltage.

The LT3652 can use a charge current based C/10 termination scheme, which ends a charge cycle when the battery charge current falls to one-tenth the programmed maximum charge current. The LT3652 also contains an internal charge cycle control timer, for timer-based termination. When using the internal timer, the IC combines C/10 detection with a programmable time constraint, during which the charging cycle can continue beyond the C/10 level to “top off” a battery. The charge cycle terminates when a specific time elapses, typically three hours. When the timer based scheme is used, the IC also supports bad battery detection, which triggers a system fault if a battery stays in precondition mode for more than one-eighth of the total charge cycle time.

Once charging is terminated and the LT3652 is not actively charging, the IC automatically enters a low current standby mode where supply bias currents are reduced to $< 100\mu\text{A}$. If the battery voltage drops 2.5% from the full charge float voltage, the LT3652 engages an automatic charge cycle restart. The IC also automatically restarts a new charge cycle after a bad battery fault once the failed battery is removed and replaced with another battery.

The LT3652 includes provisions for a battery temperature monitoring circuit. This feature monitors battery temperature during the charging cycle using a thermistor, and suspends charging and signals a fault condition if the battery temperature moves outside a safe charging range of 0°C to 50°C .

The LT3652 contains two digital open collector outputs, which provide charger status and signal fault conditions. These binary coded pins signal battery charging, standby or shutdown modes, battery temperature faults and bad battery faults.

QUICK START PROCEDURE

DC1568A is easy to set up to evaluate the performance of the LT3652EDD.

Using short twisted-pair leads for any power connections, with all loads and power supplies off, refer to Figure 1 for the proper measurement and equipment setup.

Follow the procedure below:

1. Jumper and power supply settings:

JP1 = 1	JP4 = 1
JP2 = 1	PS1 = OFF
JP3 = C/10	PS2 = OFF

2. Turn on PS2 and slowly increase the voltage until V_{BAT} is 5.4V while monitoring the current into the BAT pin. If the current is less than 5mA, turn on PS1. Increase PS1 until V_{IN} is 12V while monitoring the input current.

3. Verify that the battery charging current, I_{BAT} , is between 250mA and 350mA. The CHRG LED should be on and the FAULT LED should be off.

4. Increase PS2 until V_{BAT} is 7.2V. Verify that the input current, I_{IN} , is between 1.3A and 1.7A, the battery current, I_{BAT} , is between 1.775A and 2.225A and that the CHRG LED is on.

5. Increase PS2 until V_{BAT} is 8.5V. Verify that the battery charging current, I_{BAT} , is less than 5mA and that the CHRG LED is off.

6. Decrease PS2 until V_{BAT} is 7.8V. Verify that the battery current, I_{BAT} , is between 1.775A and 2.225A and that the CHRG LED is on.

7. Set JP1 to 0. Verify that the charging current, I_{BAT} , is less than 5mA and that the FAULT LED and the CHRG LED are off.

8. Set JP1 to 1. Connect a jumper from the NTC pin to ground. Verify that the charging current, I_{BAT} , is less than 5mA and that the FAULT LED and the CHRG LED are on.

QUICK START PROCEDURE

9. Remove the jumper from NTC to ground. Verify that the charging current, I_{BAT} , is between 1.775A and 2.225A, that the FAULT LED is off and the CHRГ LED is on.
 10. Turn on LOAD1 and set to 1A. Verify that the voltage, V_{SYSTEM} , on the SYSTEM LOAD turret is approximately equal to V_{IN} .
 11. Set JP2 to 0. Verify that the battery charging current is less than 5mA and that the CHRГ LED is off.
 12. Increase PS1 until V_{IN} is 14V. Verify that the charging current is between 1.775A and 2.225A and that the CHRГ LED is on. Set JP2 to 1.
 13. Set JP4 to 0. Setting JP4 to 0 turns off the charge current when V_{IN} is less than 17.7V. Verify that the battery charging current is less than 5mA and that the CHRГ LED is off.
 14. Increase PS1 until V_{IN} is 17.7V. Verify that the charging current is between 1.775A and 2.225A and that the CHRГ LED is on. Set JP4 to 1.
 15. Turn off PS1, PS2 and LOAD1.
- NOTE: All connections from equipment should be Kelvin-connected directly to the board pins which they are connected to on the diagram in Figure 1, and any input or output leads should be twisted pair.

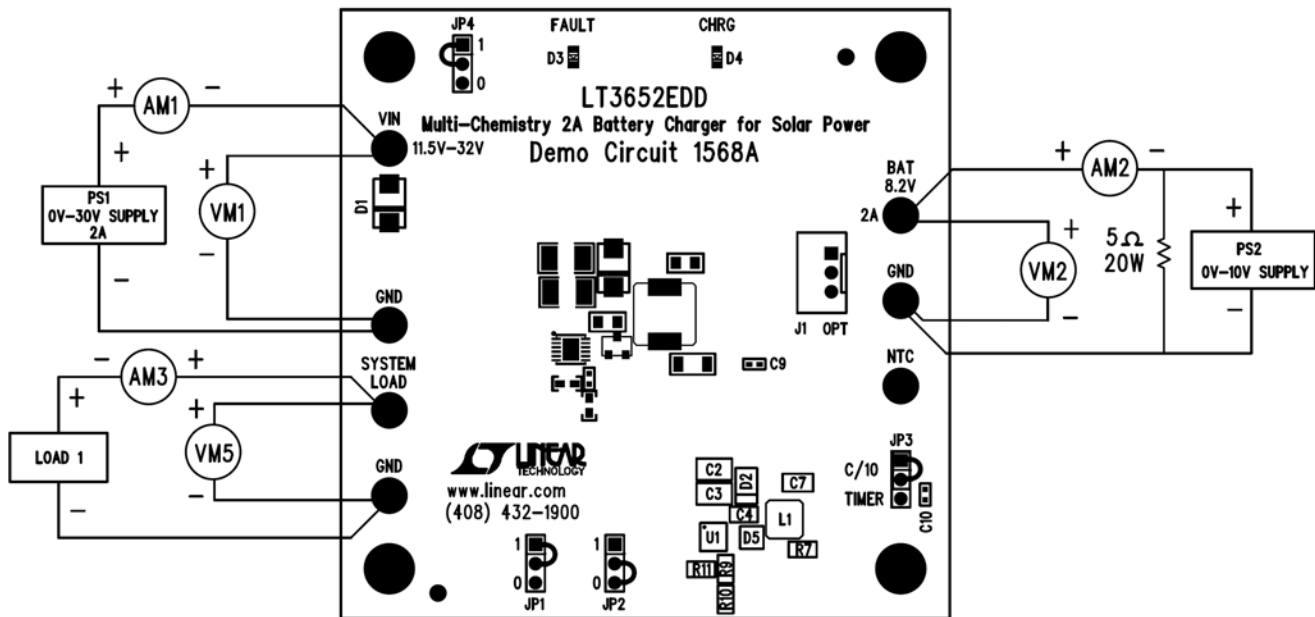


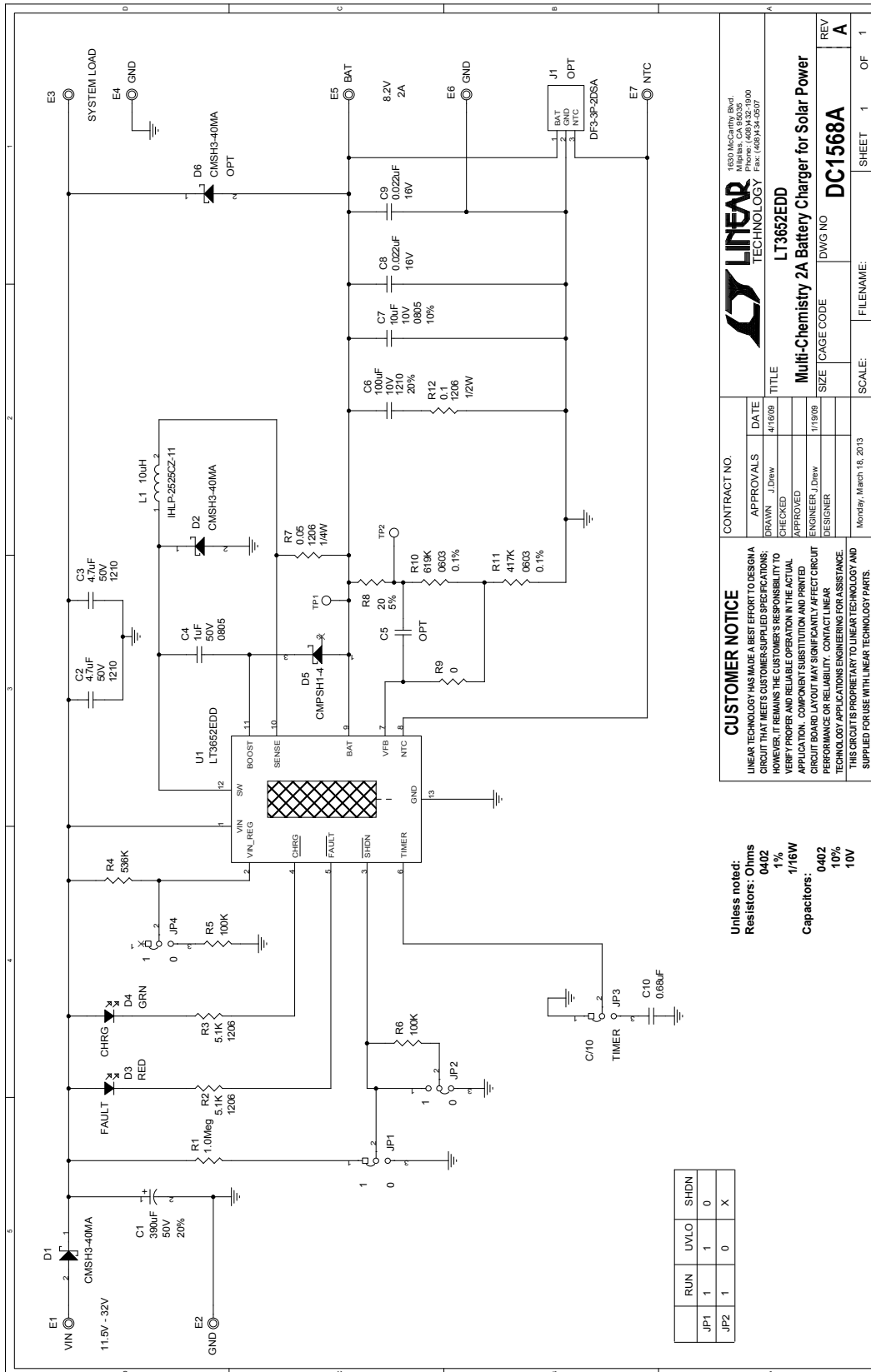
Figure 1. Proper Measurement Equipment Setup for the DC1568A

DEMO MANUAL DC1568A

PARTS LIST

ITEM	QTY	REFERENCE	PART DESCRIPTION	MANUFACTURER/PART NUMBER
Required Circuit Components				
1	2	C2, C3	CAP, X7R, 4.7 μ F, 50V, 10%, 1210	MURATA, GRM32ER71H475KA88L
2	1	C4	CAP, X7R, 1 μ F, 50V, 10%, 0805	MURATA, GRM21BR71H105KA12B
3	1	C6	CAP, X5R, 100 μ F, 10V, 20%, 1210	TAIYO YUDEN, LMK325BJ107MM-T
4	1	C7	CAP, X7R, 10 μ F, 10V, 10%, 0805	MURATA, GRM21BR71A106KE51L
5	1	C10	CAP, X5R, 0.68 μ F, 10V, 10%, 0402	MURATA, GRM155R61A684KE15D
6	2	D1, D2	SMD, SCHOTTKY BARRIER RECTIFIER	CENTRAL SEMI, CSMH3-40MA
7	1	D5	SMD, SCHOTTKY DIODE, SOT-23F	CENTRAL SEMI, CMPSH1-4
8	1	L1	POWER INDUCTOR, 10 μ H, 20%, 3.5A	VISHAY, IHLP2525CZER100M11
9	1	R1	RES., CHIP, 1M, 1/16W, 1%, 0402	VISHAY, CRCW04021M00FKED
10	1	R4	RES., CHIP, 536k, 1/16W, 1%, 0402	VISHAY, CRCW0402536KFKED
11	2	R5, R6	RES., CHIP, 100k, 1/16W, 1%, 0402	VISHAY, CRCW0402100KFKED
12	1	R7	RES., CHIP, 0.05 Ω , 1/2W, 1%, 1206	SUSUMU, RL1632R-R050-F
13	1	R10	RES., CHIP, 619k, 1/16W, 0.1%, 0603	NIC, NTR06B6193DTRF
14	1	R11	RES., CHIP, 417k, 1/16W, 0.1%, 0603	NIC, NTR06B4173DTRF
15	1	R12	RES., CHIP, 0.1 Ω , 1/2W, 1%, 1206	SUSUMU, RL1632R-R100-F
16	1	U1	MULTICHEMISTRY 2A BATTERY CHARGER FOR SOLAR POWER	LINEAR TECHNOLOGY, LT3652EDD
Optional Demo Board Circuit Components				
1	1	C1	CAP, SMT, 390 μ F, 50V, 20%	SUNCON, 50CE390BS
2	0	C5	CAP, OPT, 0402	CUSTOMER SELECTABLE
3	2	C8, C9	CAP, CHIP, X7R, 0.022 μ F, \pm 10%, 16V, 0402	AVX, 0402YC223KAT2A
4	1	D3	LED, RED	PANASONIC, LNJ208R8ARA
5	1	D4	LED, GREEN	LITE-ON, LTST-C190KGKT
6	0	D6	SMD, SCHOTTKY BARRIER RECTIFIER	CENTRAL SEMI, CSMH3-40MA
7	2	R2, R3	RES., CHIP, 5.1k, 1/4W, 1%, 1206	VISHAY, CRCW12065K10FKEA
8	1	R8	RES., CHIP, 20 , 1/16W, 5%, 0402	VISHAY, CRCW040220R0JNED
9	1	R9	RES., CHIP, 0 , 1/16W, 5%, 0402	VISHAY, CRCW04020000Z0ED
Hardware, for Demo Board Only				
1	7	E1-E7	TESTPOINT, TURRET, 0.095"	MILL-MAX, 2501-2-00-80-00-00-07-0
2	0	J1	HEADER, 3 PINS	HIROSE ELECTRIC, DF3A-3P-2DSA
3	4	JP1-JP4	2MM SINGLE ROW HEADER, 3 PIN	SAMTEC, TMM-103-02-L-S
4	4	JP1-JP4	SHUNT	SAMTEC, 2SN-BK-G
5	4		STAND-OFF, NYLON, 0.625" TALL (SNAP ON)	KEYSTONE, 8834 (SNAP ON)

SCHEMATIC DIAGRAM



CONTRACT NO.

CUSTOMER NOTICE
 LINEAR TECHNOLOGY HAS MADE A BEST EFFORT TO DESIGN A CIRCUIT THAT MEETS CUSTOMER-SUPPLIED SPECIFICATIONS. LINEAR TECHNOLOGY MAKES NO REPRESENTATION TO USERS AS TO THE PERFORMANCE OF THIS CIRCUIT IN ANY APPLICATION. COMPONENT SUBSTITUTION AND PARTS VARIATION MAY BE NECESSARY TO OBTAIN THE ACTUAL PERFORMANCE OR RELIABILITY. CONTACT LINEAR TECHNOLOGY APPLICATIONS ENGINEERING FOR ASSISTANCE. THIS CIRCUIT IS PROPRIETARY TO LINEAR TECHNOLOGY AND SUPPLIED FOR USE WITH LINEAR TECHNOLOGY PARTS.

APPROVALS

APPROVALS	DATE
DRAWN: J.Drew	4/16/09
CHECKED:	
APPROVED:	
ENGINEER: J.Drew	1/19/09
DESIGNER:	

FILENAME: Monday, March 18, 2013

SCALE:

REV

REV	DESCRIPTION	DATE
A		

LINEAR TECHNOLOGY

1630 McCarthy Blvd.
 Milpitas, CA 95035
 Tel: (408)342-0000
 Fax: (408)342-0507

LT3652EDD

Multi-Chemistry 2A Battery Charger for Solar Power

DC1568A

SIZE [CAGE CODE] **DWG NO**

SHEET 1 **OF** 1

DEMO MANUAL DC1568A

DEMONSTRATION BOARD IMPORTANT NOTICE

Linear Technology Corporation (LTC) provides the enclosed product(s) under the following **AS IS** conditions:

This demonstration board (DEMO BOARD) kit being sold or provided by Linear Technology is intended for use for **ENGINEERING DEVELOPMENT OR EVALUATION PURPOSES ONLY** and is not provided by LTC for commercial use. As such, the DEMO BOARD herein may not be complete in terms of required design-, marketing-, and/or manufacturing-related protective considerations, including but not limited to product safety measures typically found in finished commercial goods. As a prototype, this product does not fall within the scope of the European Union directive on electromagnetic compatibility and therefore may or may not meet the technical requirements of the directive, or other regulations.

If this evaluation kit does not meet the specifications recited in the DEMO BOARD manual the kit may be returned within 30 days from the date of delivery for a full refund. **THE FOREGOING WARRANTY IS THE EXCLUSIVE WARRANTY MADE BY THE SELLER TO BUYER AND IS IN LIEU OF ALL OTHER WARRANTIES, EXPRESSED, IMPLIED, OR STATUTORY, INCLUDING ANY WARRANTY OF MERCHANTABILITY OR FITNESS FOR ANY PARTICULAR PURPOSE. EXCEPT TO THE EXTENT OF THIS INDEMNITY, NEITHER PARTY SHALL BE LIABLE TO THE OTHER FOR ANY INDIRECT, SPECIAL, INCIDENTAL, OR CONSEQUENTIAL DAMAGES.**

The user assumes all responsibility and liability for proper and safe handling of the goods. Further, the user releases LTC from all claims arising from the handling or use of the goods. Due to the open construction of the product, it is the user's responsibility to take any and all appropriate precautions with regard to electrostatic discharge. Also be aware that the products herein may not be regulatory compliant or agency certified (FCC, UL, CE, etc.).

No License is granted under any patent right or other intellectual property whatsoever. **LTC assumes no liability for applications assistance, customer product design, software performance, or infringement of patents or any other intellectual property rights of any kind.**

LTC currently services a variety of customers for products around the world, and therefore this transaction **is not exclusive**.

Please read the DEMO BOARD manual prior to handling the product. Persons handling this product must have electronics training and observe good laboratory practice standards. **Common sense is encouraged.**

This notice contains important safety information about temperatures and voltages. For further safety concerns, please contact a LTC application engineer.

Mailing Address:

Linear Technology
1630 McCarthy Blvd.
Milpitas, CA 95035

Copyright © 2004, Linear Technology Corporation

Компания «Океан Электроники» предлагает заключение долгосрочных отношений при поставках импортных электронных компонентов на взаимовыгодных условиях!

Наши преимущества:

- Поставка оригинальных импортных электронных компонентов напрямую с производств Америки, Европы и Азии, а так же с крупнейших складов мира;
- Широкая линейка поставок активных и пассивных импортных электронных компонентов (более 30 млн. наименований);
- Поставка сложных, дефицитных, либо снятых с производства позиций;
- Оперативные сроки поставки под заказ (от 5 рабочих дней);
- Экспресс доставка в любую точку России;
- Помощь Конструкторского Отдела и консультации квалифицированных инженеров;
- Техническая поддержка проекта, помощь в подборе аналогов, поставка прототипов;
- Поставка электронных компонентов под контролем ВП;
- Система менеджмента качества сертифицирована по Международному стандарту ISO 9001;
- При необходимости вся продукция военного и аэрокосмического назначения проходит испытания и сертификацию в лаборатории (по согласованию с заказчиком);
- Поставка специализированных компонентов военного и аэрокосмического уровня качества (Xilinx, Altera, Analog Devices, Intersil, Interpoint, Microsemi, Actel, Aeroflex, Peregrine, VPT, Syfer, Eurofarad, Texas Instruments, MS Kennedy, Miteq, Cobham, E2V, MA-COM, Hittite, Mini-Circuits, General Dynamics и др.);

Компания «Океан Электроники» является официальным дистрибьютором и эксклюзивным представителем в России одного из крупнейших производителей разъемов военного и аэрокосмического назначения «JONHON», а так же официальным дистрибьютором и эксклюзивным представителем в России производителя высокотехнологичных и надежных решений для передачи СВЧ сигналов «FORSTAR».



JONHON

«JONHON» (основан в 1970 г.)

Разъемы специального, военного и аэрокосмического назначения:

(Применяются в военной, авиационной, аэрокосмической, морской, железнодорожной, горно- и нефтедобывающей отраслях промышленности)

«FORSTAR» (основан в 1998 г.)

ВЧ соединители, коаксиальные кабели,
кабельные сборки и микроволновые компоненты:

(Применяются в телекоммуникациях гражданского и специального назначения, в средствах связи, РЛС, а так же военной, авиационной и аэрокосмической отраслях промышленности).



Телефон: 8 (812) 309-75-97 (многоканальный)

Факс: 8 (812) 320-03-32

Электронная почта: ocean@oceanchips.ru

Web: <http://oceanchips.ru/>

Адрес: 198099, г. Санкт-Петербург, ул. Калинина, д. 2, корп. 4, лит. А