

Stepping Motor Driver Series

Standard 36V Stepping Motor Drivers



BD63801EFV

No.12009EAT07

●Description

BD63801EFV is rated 24V system maximum input voltage / 0.8A maximum output current and employs a constant-current PWM control scheme for low power consumption.

Serial (CLK-IN) drive mode allows for simple interfacing and operation, while allowing for full and half excitation modes. The single-power supply configuration allows for easy design and layout in the application.

●Feature

- 1) Power supply: one system drive (19V~28V)
- 2) Low ON resistance DMOS output
- 3) Serial (CLK-IN) drive mode
- 4) PWM constant current control (self oscillation)
- 5) Built-in spike noise cancel function (external noise filter is unnecessary)
- 6) FULL STEP applicable to HALF STEP
- 7) Normal / Reverse rotation switching function
- 8) Power save function*
- 9) Built-in logic input pull-down resistor
- 10) Power-on reset function
- 11) Thermal shutdown circuit (TSD)
- 12) Over current protection circuit (OCP)
- 13) Under voltage lock out circuit (UVLO)
- 14) Over voltage lock out circuit (OVLO)
- 15) Malfunction prevention at the time of no applied power supply (Ghost Supply Prevention)
- 16) Electrostatic discharge: 4kV (HBM specification)
- 17) Microminiature, ultra-slim and high heat-radiation (exposed metal type) HTSSOP package
- 18) Function pin compatible with constant current 2ch 36V Simple Stepping Motor Driver Series

●Application

PPC, Laser beam printer, Scanner, Photo printer, FAX, Ink jet printer, Mini printer, Sewing machine, Toy, and Robot etc.

●Absolute maximum ratings(Ta=25°C)

Item	Symbol	BD63801EFV	Unit
Supply voltage	V _{CC1,2}	-0.2~+36.0	V
Power dissipation	P _d	1.1 ^{※1}	W
		4.0 ^{※2}	
Input voltage for control pin	V _{IN}	-0.2~+5.5	V
RNF maximum voltage	V _{RNF}	0.5	V
Maximum output current	I _{OUT}	0.8 ^{※3}	A/phase
Operating temperature range	T _{opr}	-25~+85	°C
Storage temperature range	T _{stg}	-55~+150	°C
Junction temperature	T _{jmax}	+150	°C

※1 70mm × 70mm × 1.6mm glass epoxy board. Derating in done at 8.8mW/°C for operating above Ta=25°C.

※2 4-layer recommended board. Derating in done at 32.0mW/°C for operating above Ta=25°C.

※3 Do not, however exceed P_d, ASO and T_{jmax}=150°C.

●Operating conditions(Ta= -25~+85°C)

Item	Symbol	BD63801EFV	Unit
Supply voltage	V _{CC1,2}	19~28	V
Output current (DC)	I _{OUT}	0.5 ^{※4}	A/phase

※4 Do not however exceed P_d, ASO.

●Electrical characteristics

Applicable to all the series (Unless otherwise specified Ta=25°C, V_{CC1,2}=24V)

Item	Symbol	Limit			Unit	Condition
		Min.	Typ.	Max.		
Whole						
Circuit current at standby	I _{CCST}	-	0.6	2.0	mA	PS=L
Circuit current	I _{CC}	-	2.7	7.0	mA	PS=H, VREF=0.4V
Control input (CLK, FR, MODE, EN, PS)						
H level input voltage	V _{INH}	2.0	-	-	V	
L level input voltage	V _{INL}	-	-	0.8	V	
H level input current	I _{INH}	-	33	50	μA	V _{IN} =3.3V
Output (OUT1A, OUT1B, OUT2A, OUT2B)						
Output ON resistance	R _{ON}	-	2.8	3.6	Ω	I _{OUT} =0.3A Sum of upper and lower
Output leak current	I _{LEAK}	-	-	10	μA	
Current control						
RNFX input current	I _{RNFX}	-40	-20	-	μA	RNFX=0V
VREFX input current	I _{VREF}	-2.0	-0.1	-	μA	VREFX=0V
VREFX input voltage range	V _{REF}	0	-	0.4	V	
Comparator offset	V _{COFS}	-20	0	20	mV	VREFX=0.4V
Minimum on time	T _{ONMIN}	0.3	0.7	1.2	μs	R=39kΩ, C=1000pF

●Terminal function ·Block diagram·Application circuit diagram

Pin No.	Pin name	Function	Pin No.	Pin name	Function
1	PGND	Ground terminal	13	CLK	Clock input terminal (for advancing electrical angle)
2	EN	Output enable terminal	14	PGND	Ground terminal
3	VREF2	Output current value setting terminal	15	VCC1	Power supply terminal
4	CR2	Connection terminal of CR for setting PWM frequency	16	OUT1A	H bridge output terminal
5	NC	Non connection	17	RNF1	Connection terminal of resistor for output current detection
6	TEST	Terminal for testing (used by connecting with GND)	18	OUT1B	H bridge output terminal
7	GND	Ground terminal	19	OUT2B	H bridge output terminal
8	PS	Power save terminal	20	RNF2	Connection terminal of resistor for output current detection
9	CR1	Connection terminal of CR for setting PWM frequency	21	OUT2A	H bridge output terminal
10	VREF1	Output current value setting terminal	22	VCC2	Power supply terminal
11	MODE	Motor excitation mode setting terminal	23	NC	Non connection
12	NC	Non connection	24	FR	Motor rotating direction setting terminal

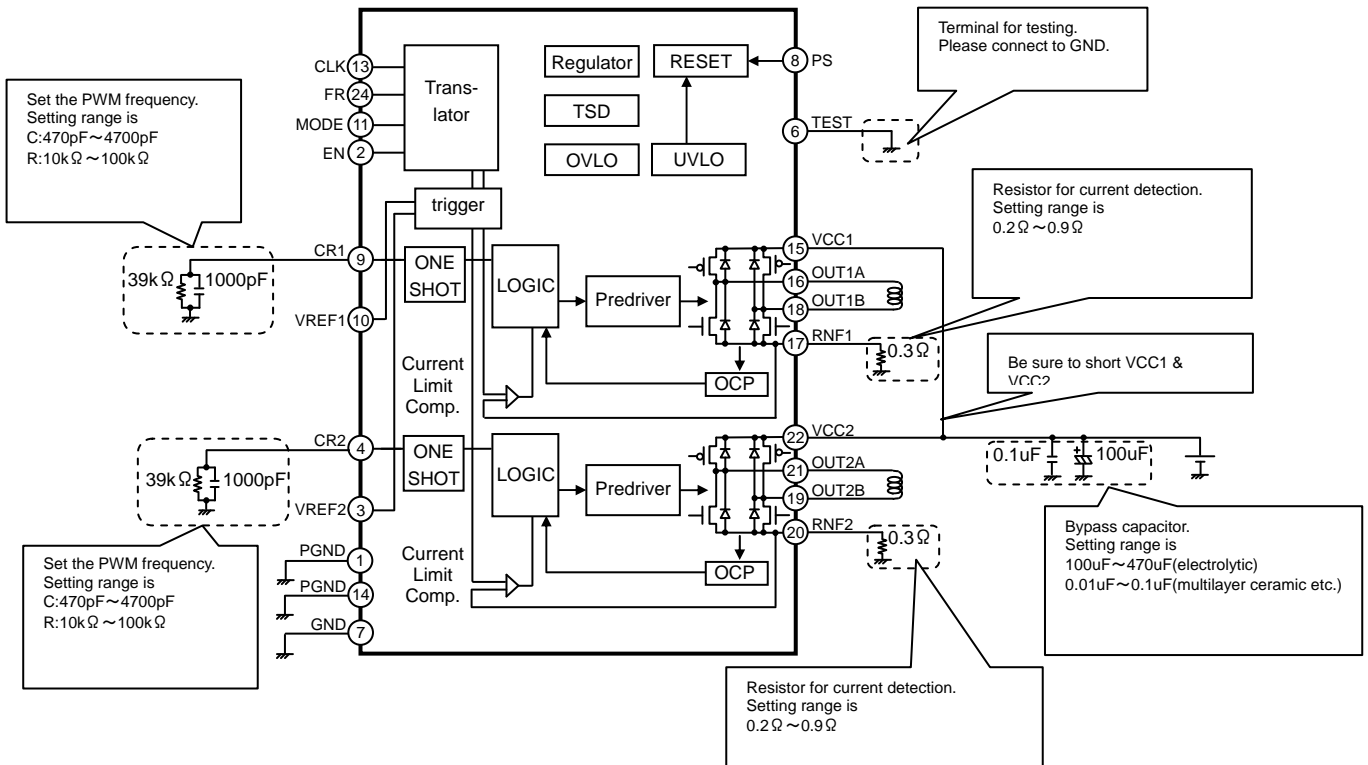


Fig.1 Block diagram & Application circuit diagram

●Points to notice for terminal description

○CLK(pin13) / Clock input terminal for advancing the electrical angle

CLK is reflected at rising edge. The Electrical angle advances by one for each CLK input.

Motor's misstep will occur if noise is picked up at the CLK terminal, so please design the pattern in such a way that there is no noise plunging.

○MODE(pin11) / Motor excitation mode setting terminal

Set the motor excitation mode.

MODE	Excitation mode
L	FULL STEP
H	HALF STEP A

○OFR(pin24) / Motor rotating direction setting terminal

Set the motor's rotating direction. Change in setting is reflected at the CLK's rising edge immediately after the change in setting

CW_CCW	Rotating direction
L	Clockwise (CH2's current is outputted with a phase lag of 90° in regard to CH1's current)
H	Counter Clockwise (CH2's current is outputted with a phase lead of 90° in regard to CH1's current)

○ENABLE(pin2) / Output enable terminal

Turn off forcibly all the output transistors (motor output is open).

At the time of ENABLE=L, electrical angle or operating mode is maintained even if CLK is inputted.

Please be careful because the electrical angle at the time of ENABLE being released (ENABLE=L→H) is different from the released occasion at the section of CLK=H and from the released occasion at the section of CLK=L.

ENABLE	Motor output
L	OPEN (electrical angle maintained)
H	ACTIVE

○OPS(pin8) / Power save terminal

PS can make circuit standby state and make motor output OPEN. In standby state, translator circuit is reset (initialized) and electrical angle is initialized.

Please be careful because there is a delay of 40μs(Max.) before it is returned from standby state to normal state and the motor output becomes ACTIVE.

PS	State
L	Standby state (RESET)
H	ACTIVE

The electrical angle (initial electrical angle) of each excitation mode immediately after RESET is as follows Please be careful because the initial state at the time of FULL STEP is different from HALF STEP.

Excitation mode	Initial electrical angle
FULL STEP	45°
HALFSTEP A	0°

●Protection Circuits

○Thermal shutdown (TSD)

This IC features an integrated thermal shutdown for protection against thermal destruction. When the IC's chip temperature rises above 175°C (Typ.), the motor output is forced open. When the temperature returns to 150°C or less (Typ.), the IC automatically resumes normal operation. However, even if TSD has engaged, the IC may become damaged if heat continues to be absorbed from an external source.

○Over-current protection (OCP)

This IC features an integrated over-current protection circuit to protect against destruction if the motor outputs are shorted to one another, if VCC is shorted to the motor output, or if the motor output is shorted to GND. The circuit latches the motor output open if current flows above the maximum threshold for 4 μs (Typ.), and is disengaged when the IC is power-cycled or if the PS terminal is reset. The OCP circuitry is designed only to protect the IC from irregular conditions (such as motor output shorts) and is not designed to be used as an active security device for the application. Therefore, applications should not be designed under the assumption that this circuitry will engage. After OCP has engaged, if irregular conditions continue after a power cycle or PS pin reset, OCP may engage repeatedly, causing the IC to generate heat or otherwise suffer damage. If the inductance of the IC's input/output wiring is large (e.g., due to long trace length), overload current may flow into the wiring before OCP engages, causing a jump in voltage on the input/output pin that may exceed the IC's absolute maximum rating and damage the IC. Additionally, if the IC conducts a current through the output that is larger than the specified output current rating but lower than the OCP threshold, the IC may heat up beyond its maximum rating (Tjmax = 150°C) and destroy itself. Therefore, ensure that the set output current does not exceeds the IC's maximum output rating.

○ Under-voltage lockout (UVLO)

This IC features an integrated under-voltage lockout function to prevent against output when powered by an insufficient supply voltage. If the supply voltage connected to the VCC terminal drops below 15 V (Typ.), the motor output is forced open. This switching voltage threshold has a hysteresis of 1 V (Typ.) to prevent malfunction due to noise on the input. This circuit does not function in power-save mode. Also, when driving the IC in serial (CLK-in) mode, the output angle is reinitialized to the default angle upon release of the UVLO circuitry.

○ Over-voltage lockout (OVLO)

This IC features an integrated over-voltage lockout function to prevent against output when powered by a supply voltage exceeding the rated input voltage range. If the supply voltage connected to the VCC terminal reaches 32 V (Typ.), the motor output is forced open. This switching voltage threshold has a hysteresis of 1 V (Typ.) and a noise-masking period of 4 μs (Typ.) to prevent malfunction due to noise on the input. Although the IC features this integrated protection device, it may still be destroyed if the input voltage exceeds the IC's absolute maximum ratings. This circuit does not operate in power-save mode.

○ Ghost supply prevention

This IC features integrated ghost supply protection circuitry, which prevents the IC from being powered by a logic input when the power supply is disconnected or grounded. This circuitry prevents current from flowing through the integrated ESD protection diodes (located between logic input pins and the VCC pin), ensuring that the IC itself or any other peripherals connected to the VCC pin cannot be powered by an input signal on any logic terminals. Therefore, the circuit will not malfunction if a logic signal is input to the IC while the power supply is disconnected or grounded.

● Power dissipation

○ HTSSOP-B24 package

The HTSSOP-B24 package features a heat-radiating metal slag mounted on the backside of the IC. Ensure that the PCB design incorporates large areas of copper to facilitate heat dissipation as much as possible. As the heat slag is shorted with the substrate of the IC die, ensure that the slag is connected to GND. Connecting the slag to a potential other than GND will cause the chip to malfunction. Also ensure that the backside of the chip is completely and firmly soldered onto the PCB. The ratings specified in this sheet assume the IC has been properly mounted and soldered, and that the PCB has been adequately designed to facilitate heat dissipation.

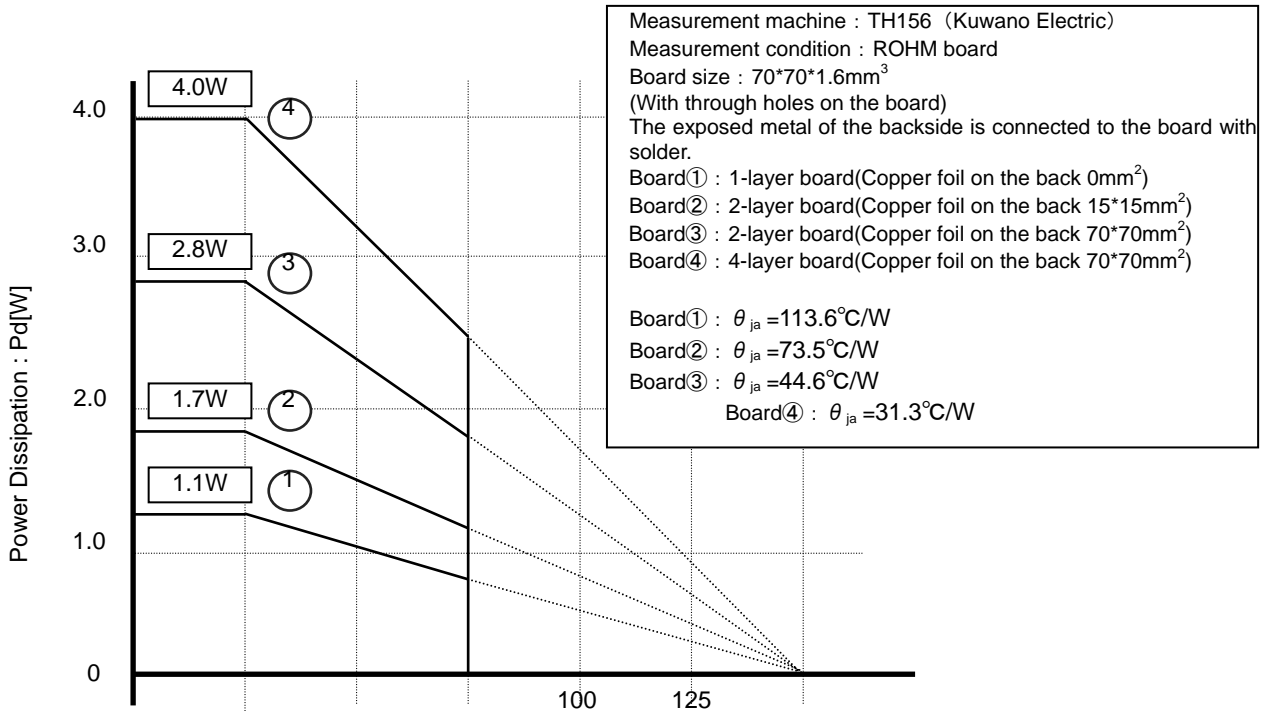


Fig.2 HTSSOP-B24 Derating curve

● Operation Notes

- (1) Absolute maximum ratings
Use of the IC in excess of absolute maximum ratings (such as the input voltage or operating temperature range) may result in damage to the IC. Assumptions should not be made regarding the state of the IC (e.g., short mode or open mode) when such damage is suffered. If operational values are expected to exceed the maximum ratings for the device, consider adding protective circuitry (such as fuses) to eliminate the risk of damaging the IC.
- (2) Power supply polarity
Connecting the power supply with a reverse polarity can damage IC. Take precautions when connecting the power supply lines. An external diode can be connected to the input for extra protection.
- (3) Power supply lines
PCB design should allow for low-impedance GND and supply lines. To minimize noise on these lines, the GND section and supply lines of the digital and analog blocks should be routed separately on the PCB. Furthermore, for all power IC supply terminals, a capacitor should be connected between the power supply and GND terminal. If using electrolytic capacitors, note that their capacitance values may be reduced at lower temperatures.
- (4) GND potential
The potential of the GND pin must be the minimum potential in the system in all operating conditions. Ensure that no pins are at a voltage below the GND at any time, regardless of transient characteristics.
- (5) Backside heat slag
The metal heat slag integrated on the backside of the IC is connected internally with the backside of the IC die. Therefore, it should always be connected to GND. Connecting to any other potential may cause malfunction or destruction of the IC.
- (6) Thermal design
Use a thermal design that allows for a sufficient margin for the package's rated power dissipation (Pd) under actual operating conditions. Keep in mind that the packaging of this IC series has been designed with an exposed heat slag on the backside of the package, and that this heat slag should be soldered completely to as broad a GND pattern as possible (on both the base fin of the slag as well as the entire backside) to improve heat dissipation.
- (7) Inter-pin shorts and mounting errors
Use caution when orienting and positioning the IC for mounting on printed circuit boards. Improper mounting may result in damage to the IC. Shorts between output pins or between output pins and the power supply or GND pins (caused by poor soldering or foreign objects) may result in damage to the IC.
- (8) Operation in strong electromagnetic fields
Using this product in strong electromagnetic fields may cause IC malfunction. Caution should be exercised in applications where strong electromagnetic fields may be present.
- (9) ASO – Area of safe operation
When using the IC, ensure that operating conditions do not exceed absolute maximum ratings or ASO of the output transistors.
- (10) Thermal shutdown circuit
The IC incorporates a built-in thermal shutdown circuit, which is designed to force the motor output open if the IC's internal temperature exceeds $T_{jmax} = 150^{\circ}\text{C}$. It is not designed to protect the IC from damage or guarantee its operation. ICs should not be used after this function has activated, or in applications where the operation of this circuit is assumed.

TSD on temperature [$^{\circ}\text{C}$] (Typ.)	Hysteresis Temperature [$^{\circ}\text{C}$] (Typ.)
175	25

- (11) Testing on application boards
When testing the IC on an application board, connecting a capacitor directly to a low-impedance pin may subject the IC to stress. Always discharge capacitors completely after each process or step. The IC's power supply should always be turned off completely before connecting or removing it from a jig or fixture during the evaluation process. To prevent damage from static discharge, ground the IC during assembly and use similar precautions during transport and storage.

(12) Input terminal of IC

This monolithic IC contains P+ isolation and P substrate layers between adjacent elements in order to keep them isolated. PN junctions are formed at the intersection of these P layers with the N layers of other elements, creating parasitic diodes and/or transistors. For example (refer to the figure below):

- When $GND > Pin A$ and $GND > Pin B$, the PN junction operates as a parasitic diode
- When $GND > Pin B$, the PN junction operates as a parasitic transistor

Parasitic diodes occur inevitably in the structure of the IC, and the operation of these parasitic diodes can result in mutual interference among circuits, operational faults, or physical damage. Accordingly, conditions that cause these diodes to operate, such as applying a voltage lower than the GND voltage to an input pin (and thus to the P substrate) should be avoided.

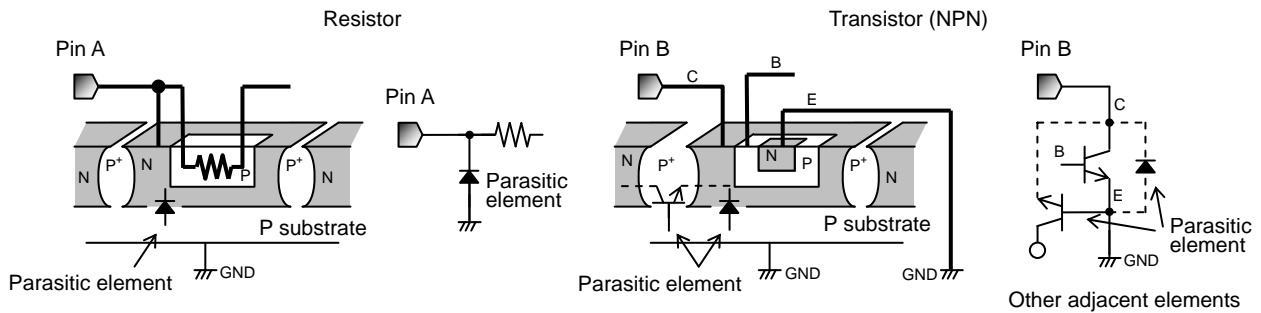


Fig.3 Example of Monolithic IC Structure

(13) Ground wiring patterns

When using both small-signal and large-current GND traces, the two ground traces should be routed separately but connected to a single ground potential within the application in order to avoid variations in the small-signal ground caused by large currents. Also ensure that the GND traces of external components do not cause variations on GND voltage. The power supply and ground lines must be as short and thick as possible to reduce line impedance.

(14) TEST Terminal

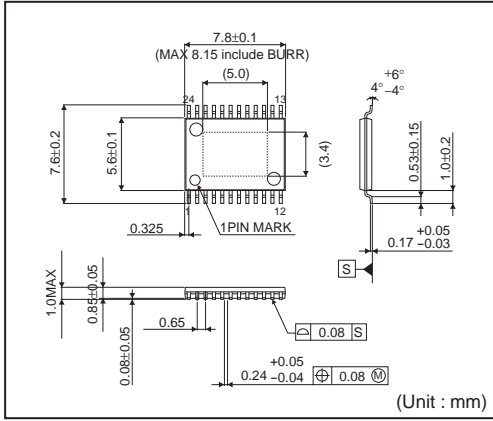
Connect the TEST pin to GND during operation.

●Ordering part number

B D 6 3 8 0 1 E F V - E 2

形名	パッケージ EFV=HTSSOP-B24	包装、フォーミング仕様 E2: リール状エンボステーピング
----	-------------------------	----------------------------------

HTSSOP-B24



<Tape and Reel information>

Tape	Embossed carrier tape (with dry pack)
Quantity	2000pcs
Direction of feed	E2 (The direction is the 1pin of product is at the upper left when you hold reel on the left hand and you pull out the tape on the right hand)

*Order quantity needs to be multiple of the minimum quantity.

Notice

Precaution on using ROHM Products

- Our Products are designed and manufactured for application in ordinary electronic equipments (such as AV equipment, OA equipment, telecommunication equipment, home electronic appliances, amusement equipment, etc.). If you intend to use our Products in devices requiring extremely high reliability (such as medical equipment ^(Note 1), transport equipment, traffic equipment, aircraft/spacecraft, nuclear power controllers, fuel controllers, car equipment including car accessories, safety devices, etc.) and whose malfunction or failure may cause loss of human life, bodily injury or serious damage to property ("Specific Applications"), please consult with the ROHM sales representative in advance. Unless otherwise agreed in writing by ROHM in advance, ROHM shall not be in any way responsible or liable for any damages, expenses or losses incurred by you or third parties arising from the use of any ROHM's Products for Specific Applications.

(Note1) Medical Equipment Classification of the Specific Applications

JAPAN	USA	EU	CHINA
CLASS III	CLASS III	CLASS II b	CLASS III
CLASS IV		CLASS III	

- ROHM designs and manufactures its Products subject to strict quality control system. However, semiconductor products can fail or malfunction at a certain rate. Please be sure to implement, at your own responsibilities, adequate safety measures including but not limited to fail-safe design against the physical injury, damage to any property, which a failure or malfunction of our Products may cause. The following are examples of safety measures:
 - Installation of protection circuits or other protective devices to improve system safety
 - Installation of redundant circuits to reduce the impact of single or multiple circuit failure
- Our Products are designed and manufactured for use under standard conditions and not under any special or extraordinary environments or conditions, as exemplified below. Accordingly, ROHM shall not be in any way responsible or liable for any damages, expenses or losses arising from the use of any ROHM's Products under any special or extraordinary environments or conditions. If you intend to use our Products under any special or extraordinary environments or conditions (as exemplified below), your independent verification and confirmation of product performance, reliability, etc. prior to use, must be necessary:
 - Use of our Products in any types of liquid, including water, oils, chemicals, and organic solvents
 - Use of our Products outdoors or in places where the Products are exposed to direct sunlight or dust
 - Use of our Products in places where the Products are exposed to sea wind or corrosive gases, including Cl₂, H₂S, NH₃, SO₂, and NO₂
 - Use of our Products in places where the Products are exposed to static electricity or electromagnetic waves
 - Use of our Products in proximity to heat-producing components, plastic cords, or other flammable items
 - Sealing or coating our Products with resin or other coating materials
 - Use of our Products without cleaning residue of flux (even if you use no-clean type fluxes, cleaning residue of flux is recommended); or Washing our Products by using water or water-soluble cleaning agents for cleaning residue after soldering
 - Use of the Products in places subject to dew condensation
- The Products are not subject to radiation-proof design.
- Please verify and confirm characteristics of the final or mounted products in using the Products.
- In particular, if a transient load (a large amount of load applied in a short period of time, such as pulse. is applied, confirmation of performance characteristics after on-board mounting is strongly recommended. Avoid applying power exceeding normal rated power; exceeding the power rating under steady-state loading condition may negatively affect product performance and reliability.
- De-rate Power Dissipation (Pd) depending on Ambient temperature (Ta). When used in sealed area, confirm the actual ambient temperature.
- Confirm that operation temperature is within the specified range described in the product specification.
- ROHM shall not be in any way responsible or liable for failure induced under deviant condition from what is defined in this document.

Precaution for Mounting / Circuit board design

- When a highly active halogenous (chlorine, bromine, etc.) flux is used, the residue of flux may negatively affect product performance and reliability.
- In principle, the reflow soldering method must be used; if flow soldering method is preferred, please consult with the ROHM representative in advance.

For details, please refer to ROHM Mounting specification

Precautions Regarding Application Examples and External Circuits

1. If change is made to the constant of an external circuit, please allow a sufficient margin considering variations of the characteristics of the Products and external components, including transient characteristics, as well as static characteristics.
2. You agree that application notes, reference designs, and associated data and information contained in this document are presented only as guidance for Products use. Therefore, in case you use such information, you are solely responsible for it and you must exercise your own independent verification and judgment in the use of such information contained in this document. ROHM shall not be in any way responsible or liable for any damages, expenses or losses incurred by you or third parties arising from the use of such information.

Precaution for Electrostatic

This Product is electrostatic sensitive product, which may be damaged due to electrostatic discharge. Please take proper caution in your manufacturing process and storage so that voltage exceeding the Products maximum rating will not be applied to Products. Please take special care under dry condition (e.g. Grounding of human body / equipment / solder iron, isolation from charged objects, setting of Ionizer, friction prevention and temperature / humidity control).

Precaution for Storage / Transportation

1. Product performance and soldered connections may deteriorate if the Products are stored in the places where:
 - [a] the Products are exposed to sea winds or corrosive gases, including Cl₂, H₂S, NH₃, SO₂, and NO₂
 - [b] the temperature or humidity exceeds those recommended by ROHM
 - [c] the Products are exposed to direct sunshine or condensation
 - [d] the Products are exposed to high Electrostatic
2. Even under ROHM recommended storage condition, solderability of products out of recommended storage time period may be degraded. It is strongly recommended to confirm solderability before using Products of which storage time is exceeding the recommended storage time period.
3. Store / transport cartons in the correct direction, which is indicated on a carton with a symbol. Otherwise bent leads may occur due to excessive stress applied when dropping of a carton.
4. Use Products within the specified time after opening a humidity barrier bag. Baking is required before using Products of which storage time is exceeding the recommended storage time period.

Precaution for Product Label

QR code printed on ROHM Products label is for ROHM's internal use only.

Precaution for Disposition

When disposing Products please dispose them properly using an authorized industry waste company.

Precaution for Foreign Exchange and Foreign Trade act

Since our Products might fall under controlled goods prescribed by the applicable foreign exchange and foreign trade act, please consult with ROHM representative in case of export.

Precaution Regarding Intellectual Property Rights

1. All information and data including but not limited to application example contained in this document is for reference only. ROHM does not warrant that foregoing information or data will not infringe any intellectual property rights or any other rights of any third party regarding such information or data. ROHM shall not be in any way responsible or liable for infringement of any intellectual property rights or other damages arising from use of such information or data.:
2. No license, expressly or implied, is granted hereby under any intellectual property rights or other rights of ROHM or any third parties with respect to the information contained in this document.

Other Precaution

1. This document may not be reprinted or reproduced, in whole or in part, without prior written consent of ROHM.
2. The Products may not be disassembled, converted, modified, reproduced or otherwise changed without prior written consent of ROHM.
3. In no event shall you use in any way whatsoever the Products and the related technical information contained in the Products or this document for any military purposes, including but not limited to, the development of mass-destruction weapons.
4. The proper names of companies or products described in this document are trademarks or registered trademarks of ROHM, its affiliated companies or third parties.

General Precaution

1. Before you use our Products, you are requested to carefully read this document and fully understand its contents. ROHM shall not be in any way responsible or liable for failure, malfunction or accident arising from the use of any ROHM's Products against warning, caution or note contained in this document.
2. All information contained in this document is current as of the issuing date and subject to change without any prior notice. Before purchasing or using ROHM's Products, please confirm the latest information with a ROHM sales representative.
3. The information contained in this document is provided on an "as is" basis and ROHM does not warrant that all information contained in this document is accurate and/or error-free. ROHM shall not be in any way responsible or liable for any damages, expenses or losses incurred by you or third parties resulting from inaccuracy or errors of or concerning such information.

Mouser Electronics

Authorized Distributor

Click to View Pricing, Inventory, Delivery & Lifecycle Information:

[ROHM Semiconductor:](#)

[BD63801EFV-E2](#)

Компания «Океан Электроники» предлагает заключение долгосрочных отношений при поставках импортных электронных компонентов на взаимовыгодных условиях!

Наши преимущества:

- Поставка оригинальных импортных электронных компонентов напрямую с производств Америки, Европы и Азии, а так же с крупнейших складов мира;
- Широкая линейка поставок активных и пассивных импортных электронных компонентов (более 30 млн. наименований);
- Поставка сложных, дефицитных, либо снятых с производства позиций;
- Оперативные сроки поставки под заказ (от 5 рабочих дней);
- Экспресс доставка в любую точку России;
- Помощь Конструкторского Отдела и консультации квалифицированных инженеров;
- Техническая поддержка проекта, помощь в подборе аналогов, поставка прототипов;
- Поставка электронных компонентов под контролем ВП;
- Система менеджмента качества сертифицирована по Международному стандарту ISO 9001;
- При необходимости вся продукция военного и аэрокосмического назначения проходит испытания и сертификацию в лаборатории (по согласованию с заказчиком);
- Поставка специализированных компонентов военного и аэрокосмического уровня качества (Xilinx, Altera, Analog Devices, Intersil, Interpoint, Microsemi, Actel, Aeroflex, Peregrine, VPT, Syfer, Eurofarad, Texas Instruments, MS Kennedy, Miteq, Cobham, E2V, MA-COM, Hittite, Mini-Circuits, General Dynamics и др.);

Компания «Океан Электроники» является официальным дистрибьютором и эксклюзивным представителем в России одного из крупнейших производителей разъемов военного и аэрокосмического назначения «JONHON», а так же официальным дистрибьютором и эксклюзивным представителем в России производителя высокотехнологичных и надежных решений для передачи СВЧ сигналов «FORSTAR».



JONHON

«JONHON» (основан в 1970 г.)

Разъемы специального, военного и аэрокосмического назначения:

(Применяются в военной, авиационной, аэрокосмической, морской, железнодорожной, горно- и нефтедобывающей отраслях промышленности)

«FORSTAR» (основан в 1998 г.)

ВЧ соединители, коаксиальные кабели, кабельные сборки и микроволновые компоненты:

(Применяются в телекоммуникациях гражданского и специального назначения, в средствах связи, РЛС, а так же военной, авиационной и аэрокосмической отраслях промышленности).



Телефон: 8 (812) 309-75-97 (многоканальный)

Факс: 8 (812) 320-03-32

Электронная почта: ocean@oceanchips.ru

Web: <http://oceanchips.ru/>

Адрес: 198099, г. Санкт-Петербург, ул. Калинина, д. 2, корп. 4, лит. А