

Description

The AH2984 is a single-chip solution for driving two-coil brushless direct current (BLDC) fans and motors. The device includes a Hall-effect sensor, dynamic offset correction and two complementary open-drain output drivers with internal Zener diode protection. It is optimized for low start-up voltage.

To help protect the motor coils, the AH2984 provides Rotor Lock Protection which shuts down output drives if rotor lock is detected. The device automatically re-starts when the rotor lock is removed. Over temperature shutdown provides thermal protection for the device.

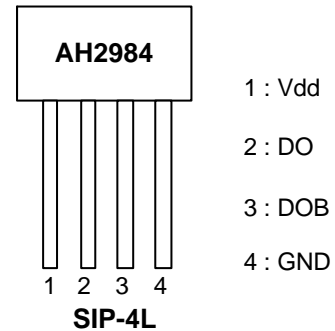
The AH2984 is available in SIP4 and SOT89-5L packages.

Features

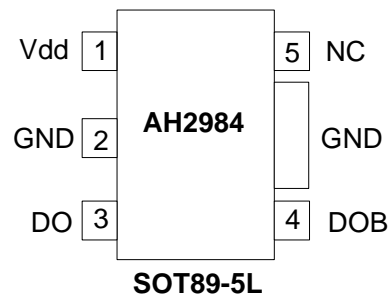
- Single-chip solution
- Operating Voltage: 2.5V to 15V
- Built-in Hall sensor and input amplifier
- Rotor Lock Protection (Lock detection, output shutdown and automatic re-start)
- Built-in reverse voltage protection diode
- Built-in Zener protection for output drivers
- Average output current up to 500mA
- Packages: SIP-4L and SOT89-5L
- “Green” Molding Compound

Pin Assignments

(Top View)



(Top View)

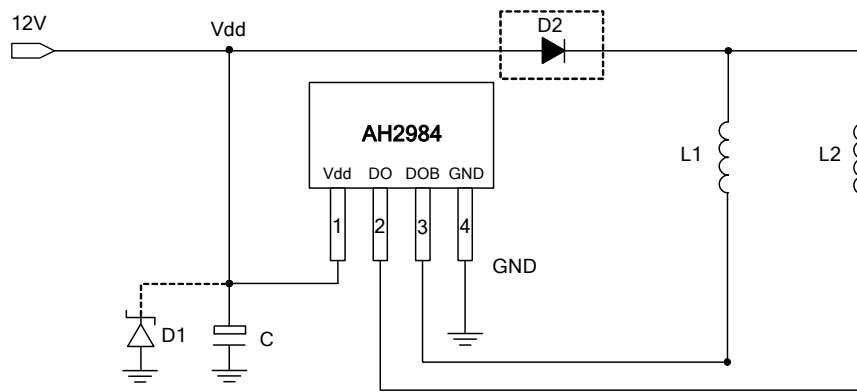


Applications

- Two-coil BLDC Cooling Fans
- Low Voltage/ Low Power BLDC Motors

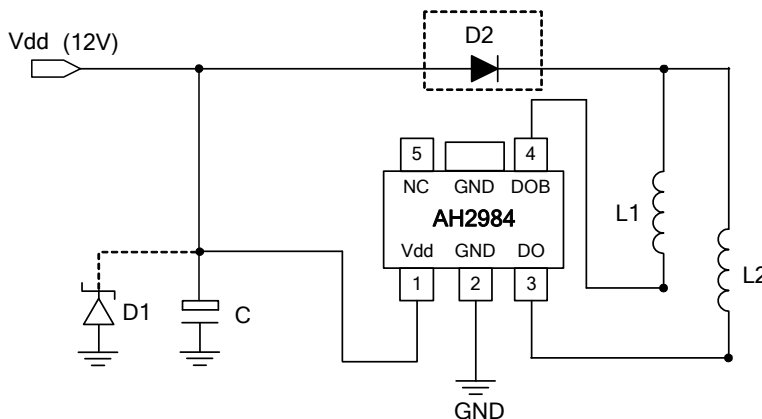
Typical Application Circuit (Note 1)

(1) For SIP-4L



12V Brushless DC Fan

(2) For SOT89-5L



12V Brushless DC Fan

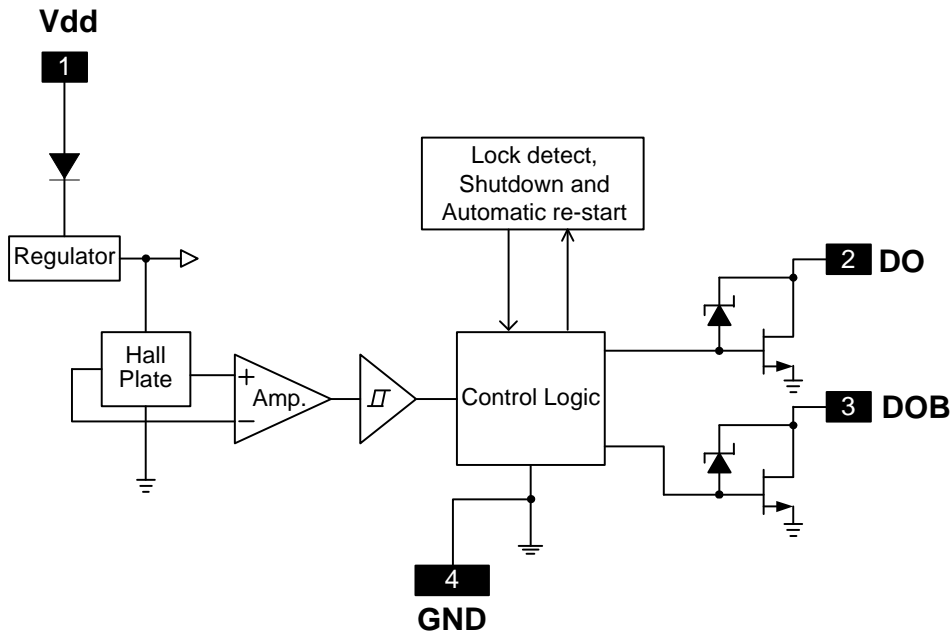
Notes: 1. D1 (Zener Diode) and Capacitor C are for power stabilization. Recommended value of C is 1uF/ 50V (E-Cap).
Diode D2 is optional and helps to protect the device and fan coils from reverse power conditions. The AH2984 also includes an internal reverse blocking diode at Vdd pin.

Pin Descriptions

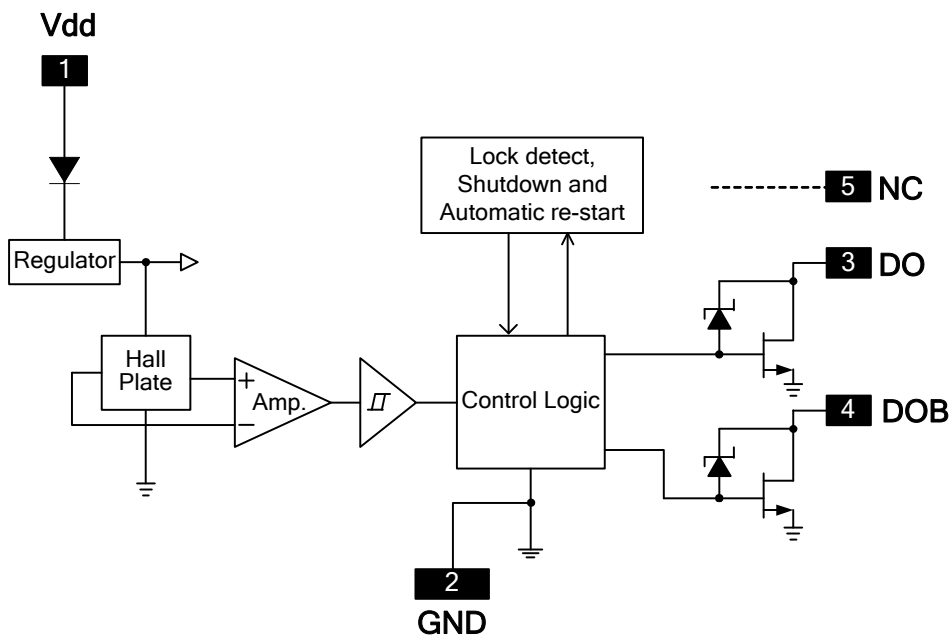
Pin Name	SIP-4L	SOT89-5L	Description
Vdd	1	1	Input Power
DO	2	3	Output Pin
DOB	3	4	Output Pin
GND	4	2	Ground
NC	-	5	No Connection

Functional Block Diagram

(1) For SIP-4L



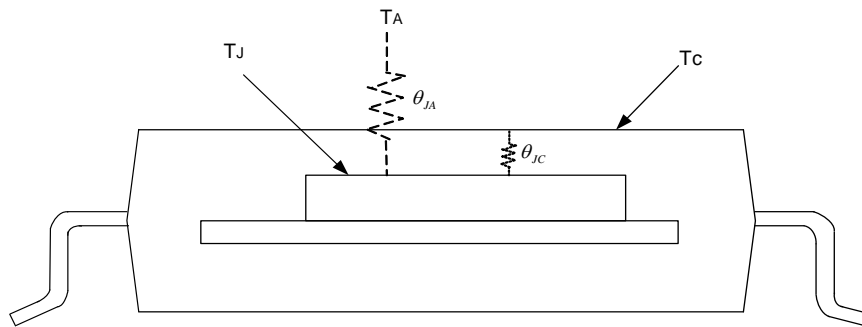
(2) For SOT89-5L



NEW PRODUCT

Absolute Maximum Ratings ($T_A = 25^\circ\text{C}$)

Symbol	Conditions	Rating	Unit
Vdd	Supply Voltage	18	V
Vrdd	Reverse Vdd Polarity Voltage	-15	V
$I_{O(AVE)}$	Output Current (Note 2)	500	mA
$I_{O(\text{peak as hold})}$		800	
P_D	Power Dissipation	SIP-4L	mW
		SOT89-5L	800
T_{ST}	Storage Temperature	-55 ~ 150	$^\circ\text{C}$
T_J	Maximum Junction Temperature	150	$^\circ\text{C}$
θ_{JA}	Thermal Resistance (Note 3)	SIP-4L	$^\circ\text{C/W}$
		SOT89-5L	156



- Notes: 2. Shall not exceed P_D and Safety Operation Area.
3. θ_{JA} should be confirmed with heat sink thermal resistance. If there is no heat sink contact, θ_{JA} will almost be the same as θ_{JC} .

Recommended Operating Conditions ($T_A = 25^\circ\text{C}$)

Symbol	Parameter	Conditions	Min	Max	Unit
Vdd	Supply Voltage	Operating	2.5	15	V
T_A	Operating Ambient Temperature (Note 2)	Operating	-40	105	$^\circ\text{C}$

TWO PHASE HALL-EFFECT SMART FAN MOTOR CONTROLLER

Electrical Characteristics ($T_A = 25^\circ\text{C}$, $V_{dd} = 12\text{V}$; unless otherwise specified, Note 4)

Symbol	Characteristics	Conditions	Min	Typ.	Max	Unit
I _{dd}	Supply Current	Operating, V _{dd} =12V	2.0	3.5	5.0	mA
T _{on}	Locked Protection On Time		-	0.25	-	Sec
T _{off}	Locked Protection Off Time		-	3.25	-	Sec
R _{duty}	Locked Protection Duty Ratio	T _{off} /T _{on}	-	13	-	-
R _{ds(on)}	Output On Resistance	I _o = 300mA	-	1	1.67	ohm
		I _o = 500mA	-	1.25	1.8	
V _z	Output Zener-Breakdown Voltage	(Note 4)	24	33	42	V

Notes: 4. The V_z value is in D.C voltage measurement. The V_z may vary with coils in A.C. voltage measurements.

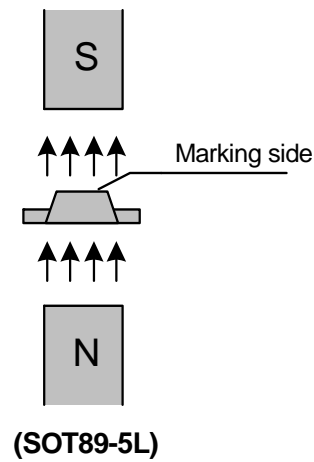
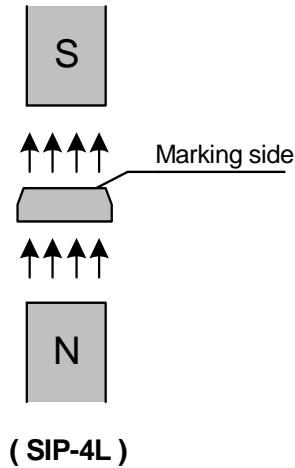
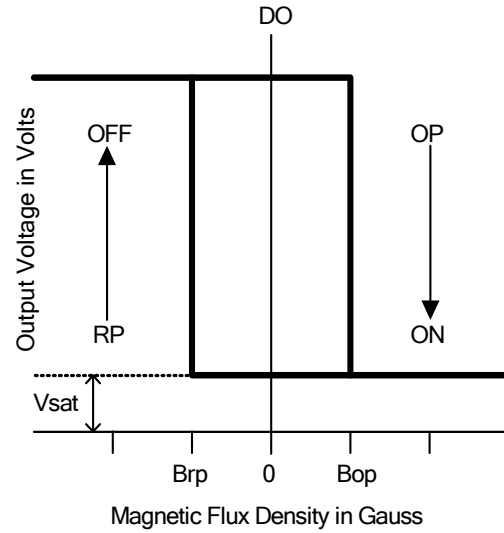
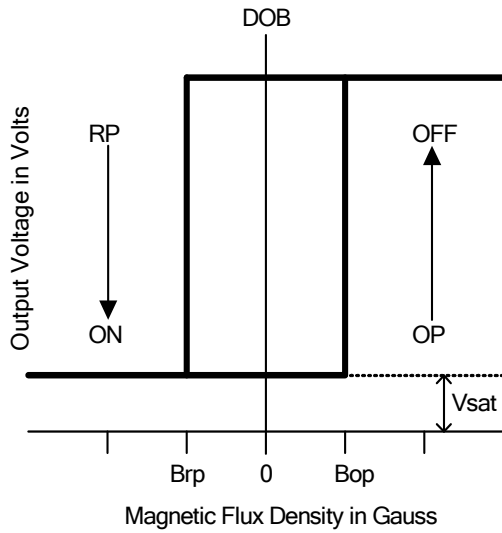
Magnetic Characteristics ($T_A = 25^\circ\text{C}$, $V_{dd} = 2.5\text{V}$ to 15V , Note 5)

(1mT=10 Gauss)

Symbol	Characteristics	Min	Typ.	Max	Unit
B _{op}	Operate Point	5	30	60	Gauss
B _{rp}	Release Point	-60	-30	-5	Gauss
B _{hy}	Hysteresis	20	60	120	Gauss

Notes: 5. The magnetic characteristics may vary with supply voltage, operating temperature and after soldering.

Operating Characteristics

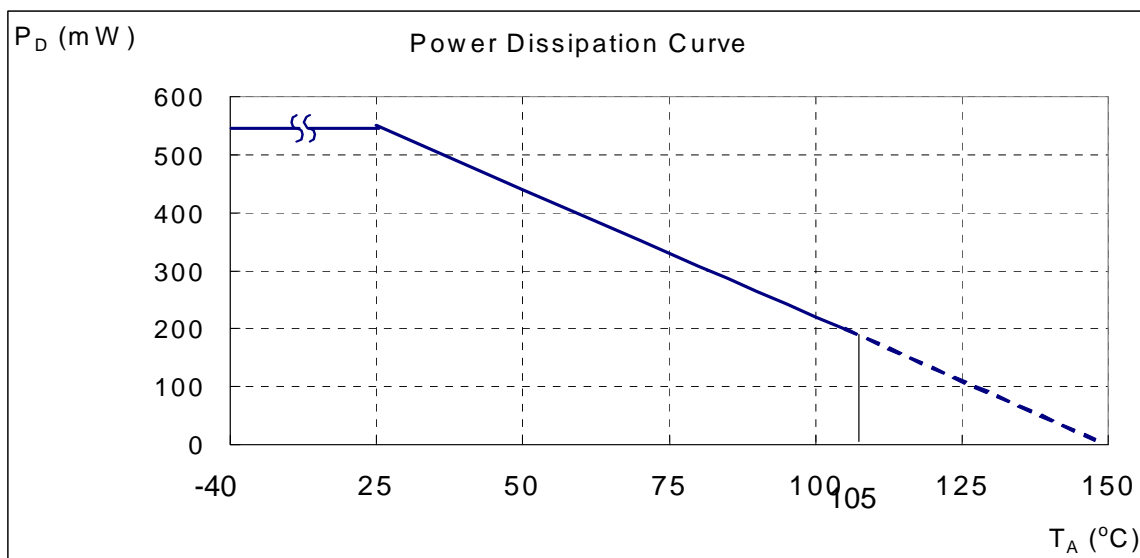


NEW PRODUCT

Performance Characteristics

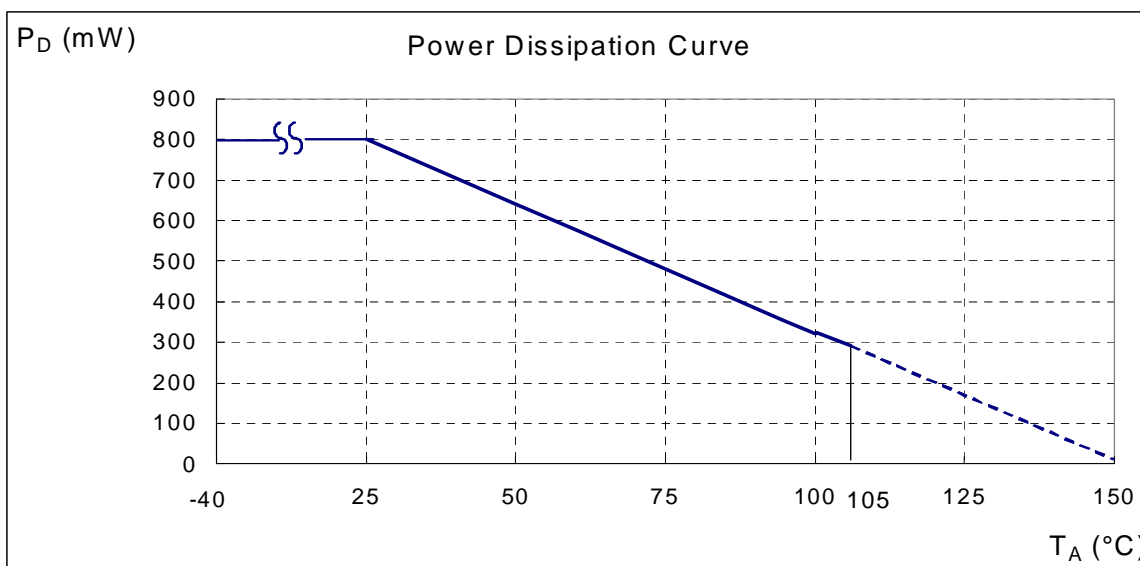
(1) SIP-4L

$T_A(^{\circ}\text{C})$	25	50	60	70	80	85	90	95	100
$P_D(\text{mW})$	550	440	396	352	308	286	264	242	220
$T_A(^{\circ}\text{C})$	105	110	115	120	125	130	135	140	150
$P_D(\text{mW})$	198	176	154	132	110	88	66	44	0

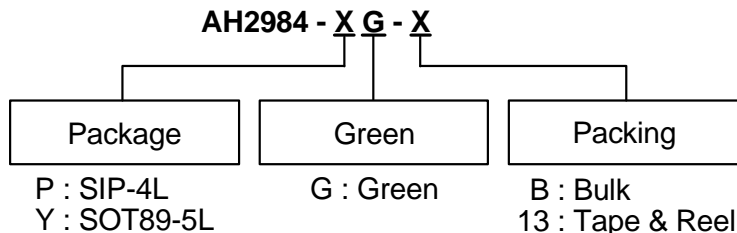


(2) SOT89-5L

$T_A(^{\circ}\text{C})$	25	50	60	70	75	80	85	90	95	100
$P_D(\text{mW})$	800	640	576	512	480	448	416	384	352	320
$T_A(^{\circ}\text{C})$	105	110	115	120	125	130	135	140	145	150
$P_D(\text{mW})$	288	256	224	192	160	128	96	64	32	0



Ordering Information



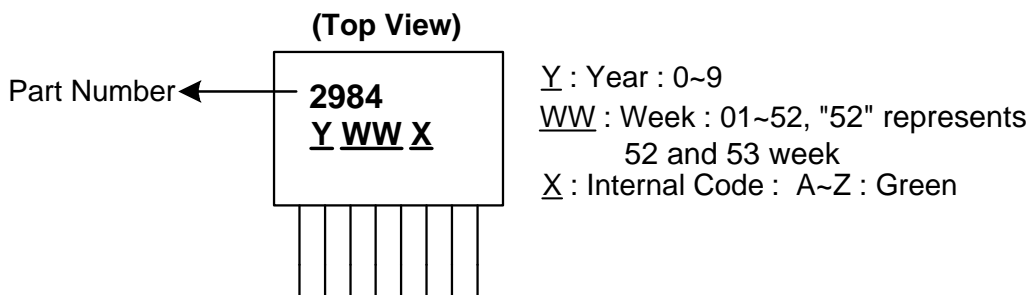
Device	Package Code	Packaging (Note 6 & 7)	Bulk		13" Tape and Reel	
			Quantity	Part Number Suffix	Quantity	Part Number Suffix
AH2984-PG-B	P	SIP-4L	1000	-B	NA	NA
AH2984-YG-13	Y	SOT89-5L	NA	NA	2500/Tape & Reel	-13



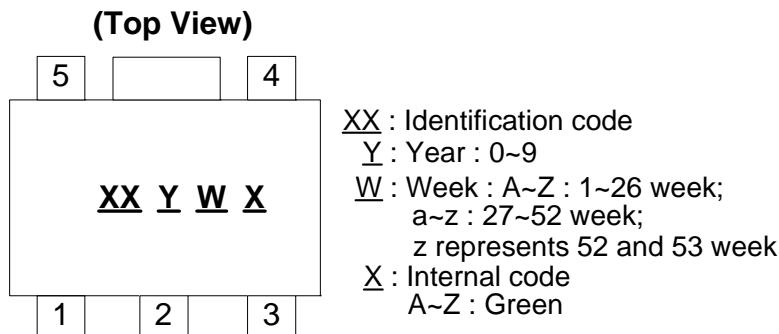
Notes: 6. Pad layout as shown on Diodes Inc. suggested pad layout document AP02001, which can be found on our website at <http://www.diodes.com/datasheets/ap02001.pdf>.
 7. EU Directive 2002/95/EC (RoHS). All applicable RoHS exemptions applied. Please visit our website at http://www.diodes.com/products/lead_free.html.

Marking Information

(1) SIP-4L



(2) SOT89-5L

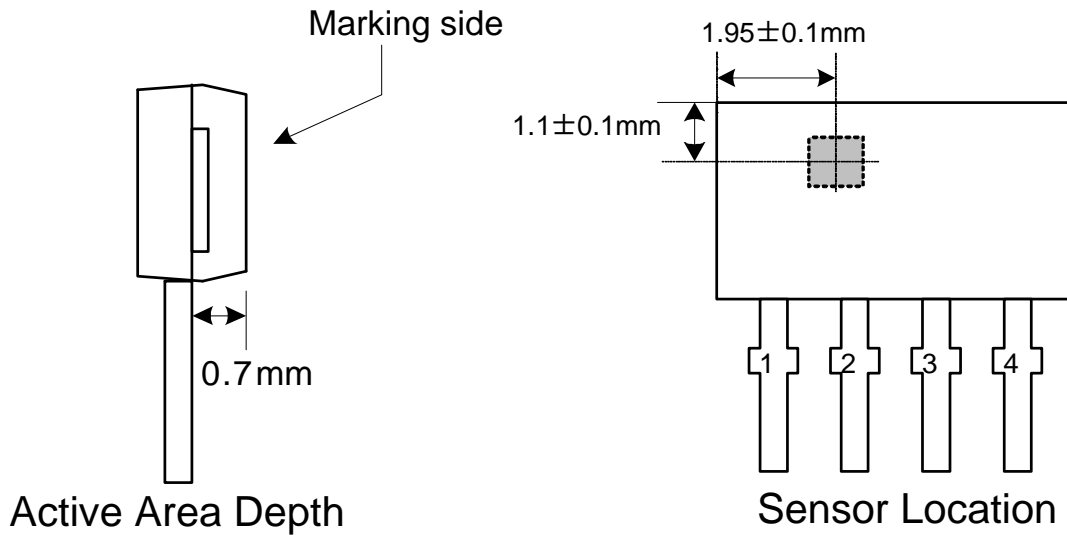


Device	Package	Identification Code
AH2984	SOT89-5L	K1

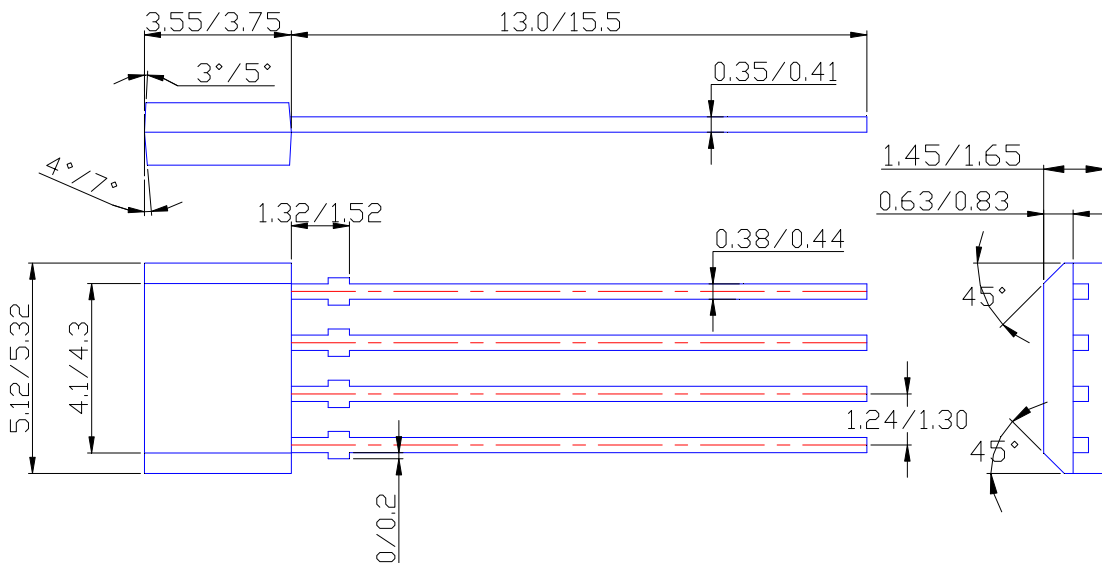
NEW PRODUCT

Package Outline Dimensions (All Dimensions in mm)

(1) Package type: SIP-4L

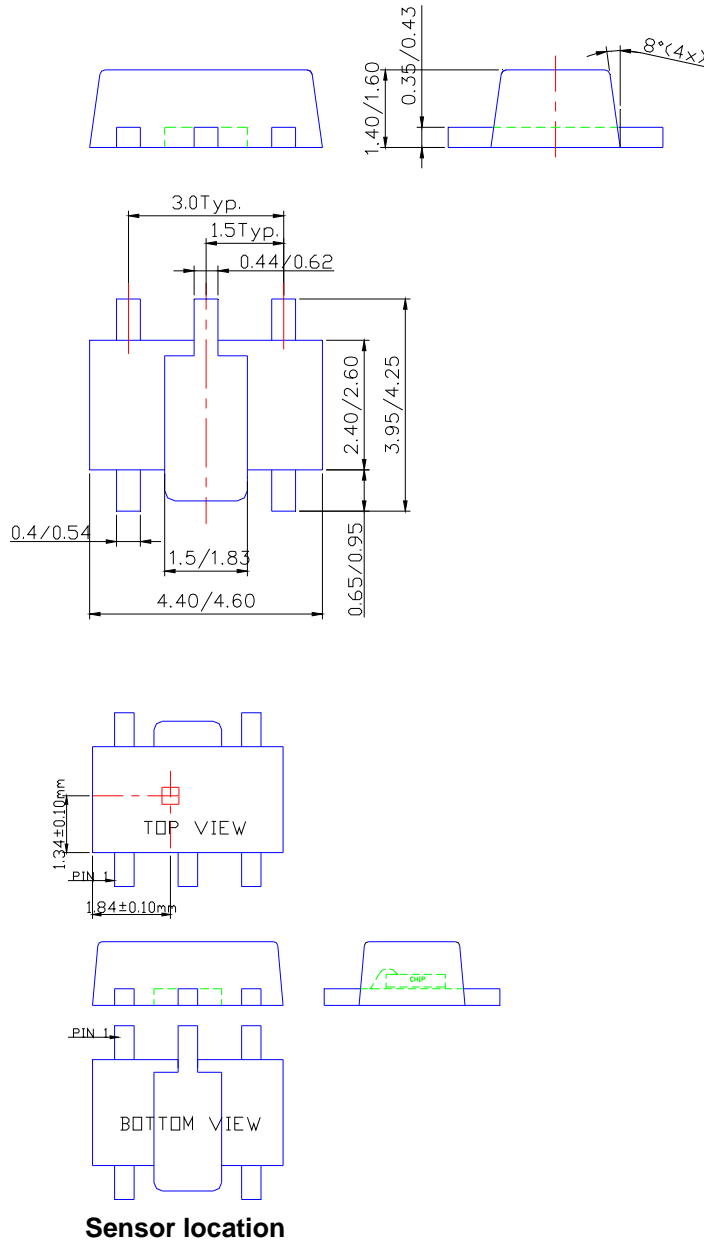


Package Dimension



Package Outline Dimensions (Continued)

(2) Package type: SOT89-5L



NEW PRODUCT

IMPORTANT NOTICE

DIODES INCORPORATED MAKES NO WARRANTY OF ANY KIND, EXPRESS OR IMPLIED, WITH REGARDS TO THIS DOCUMENT, INCLUDING, BUT NOT LIMITED TO, THE IMPLIED WARRANTIES OF MERCHANTABILITY AND FITNESS FOR A PARTICULAR PURPOSE (AND THEIR EQUIVALENTS UNDER THE LAWS OF ANY JURISDICTION).

Diodes Incorporated and its subsidiaries reserve the right to make modifications, enhancements, improvements, corrections or other changes without further notice to this document and any product described herein. Diodes Incorporated does not assume any liability arising out of the application or use of this document or any product described herein; neither does Diodes Incorporated convey any license under its patent or trademark rights, nor the rights of others. Any Customer or user of this document or products described herein in such applications shall assume all risks of such use and will agree to hold Diodes Incorporated and all the companies whose products are represented on Diodes Incorporated website, harmless against all damages.

Diodes Incorporated does not warrant or accept any liability whatsoever in respect of any products purchased through unauthorized sales channel.

Should Customers purchase or use Diodes Incorporated products for any unintended or unauthorized application, Customers shall indemnify and hold Diodes Incorporated and its representatives harmless against all claims, damages, expenses, and attorney fees arising out of, directly or indirectly, any claim of personal injury or death associated with such unintended or unauthorized application.

Products described herein may be covered by one or more United States, international or foreign patents pending. Product names and markings noted herein may also be covered by one or more United States, international or foreign trademarks.

LIFE SUPPORT

Diodes Incorporated products are specifically not authorized for use as critical components in life support devices or systems without the express written approval of the Chief Executive Officer of Diodes Incorporated. As used herein:

A. Life support devices or systems are devices or systems which:

1. are intended to implant into the body, or
2. support or sustain life and whose failure to perform when properly used in accordance with instructions for use provided in the labeling can be reasonably expected to result in significant injury to the user.

B. A critical component is any component in a life support device or system whose failure to perform can be reasonably expected to cause the failure of the life support device or to affect its safety or effectiveness.

Customers represent that they have all necessary expertise in the safety and regulatory ramifications of their life support devices or systems, and acknowledge and agree that they are solely responsible for all legal, regulatory and safety-related requirements concerning their products and any use of Diodes Incorporated products in such safety-critical, life support devices or systems, notwithstanding any devices- or systems-related information or support that may be provided by Diodes Incorporated. Further, Customers must fully indemnify Diodes Incorporated and its representatives against any damages arising out of the use of Diodes Incorporated products in such safety-critical, life support devices or systems.

Copyright © 2010, Diodes Incorporated

www.diodes.com

Компания «Океан Электроники» предлагает заключение долгосрочных отношений при поставках импортных электронных компонентов на взаимовыгодных условиях!

Наши преимущества:

- Поставка оригинальных импортных электронных компонентов напрямую с производств Америки, Европы и Азии, а так же с крупнейших складов мира;
- Широкая линейка поставок активных и пассивных импортных электронных компонентов (более 30 млн. наименований);
- Поставка сложных, дефицитных, либо снятых с производства позиций;
- Оперативные сроки поставки под заказ (от 5 рабочих дней);
- Экспресс доставка в любую точку России;
- Помощь Конструкторского Отдела и консультации квалифицированных инженеров;
- Техническая поддержка проекта, помощь в подборе аналогов, поставка прототипов;
- Поставка электронных компонентов под контролем ВП;
- Система менеджмента качества сертифицирована по Международному стандарту ISO 9001;
- При необходимости вся продукция военного и аэрокосмического назначения проходит испытания и сертификацию в лаборатории (по согласованию с заказчиком);
- Поставка специализированных компонентов военного и аэрокосмического уровня качества (Xilinx, Altera, Analog Devices, Intersil, Interpoint, Microsemi, Actel, Aeroflex, Peregrine, VPT, Syfer, Eurofarad, Texas Instruments, MS Kennedy, Miteq, Cobham, E2V, MA-COM, Hittite, Mini-Circuits, General Dynamics и др.);

Компания «Океан Электроники» является официальным дистрибьютором и эксклюзивным представителем в России одного из крупнейших производителей разъемов военного и аэрокосмического назначения «**JONHON**», а так же официальным дистрибьютором и эксклюзивным представителем в России производителя высокотехнологичных и надежных решений для передачи СВЧ сигналов «**FORSTAR**».



JONHON

«**JONHON**» (основан в 1970 г.)

Разъемы специального, военного и аэрокосмического назначения:

(Применяются в военной, авиационной, аэрокосмической, морской, железнодорожной, горно- и нефтедобывающей отраслях промышленности)

«**FORSTAR**» (основан в 1998 г.)

ВЧ соединители, коаксиальные кабели,
кабельные сборки и микроволновые компоненты:

(Применяются в телекоммуникациях гражданского и специального назначения, в средствах связи, РЛС, а так же военной, авиационной и аэрокосмической отраслях промышленности).



Телефон: 8 (812) 309-75-97 (многоканальный)

Факс: 8 (812) 320-03-32

Электронная почта: ocean@oceanchips.ru

Web: <http://oceanchips.ru/>

Адрес: 198099, г. Санкт-Петербург, ул. Калинина, д. 2, корп. 4, лит. А