

Two-Piece 4.0mm Pitch Battery

9155-400



This unique battery or removable module style connector is different from most others in that it allows for the pluggable device to be swiped or connected from either direction. The spring contact offers enhanced contact deflection range over existing connectors in the market with a full 1.4mm of travel after contact engagement. This contact design allows the connector to absorb more of the plastic or housing tolerances making it more functional and reliable in real life applications.

The fixed pad connector is unique in the industry as it replaces the plating of gold directly onto PCB pads. The main benefit of using this connector is to elevate the pad surface well above the PCB so that the gold contacts are close to flush with the outside packaging. This minimizes the distance that a spring contact would need to absorb in the mating tolerance band. Also unique to this connector is the angled contact lead-in on both sides which facilitates smooth engagement of the spring contact from either direction.

APPLICATIONS

- Portable electronics requiring a removable battery
- Interface for removable/pluggable modules or cartridges
- Docking cradle for charging and data transfer

FEATURES AND BENEFITS

- Proven contact reliability in harsh industrial or medical applications
- Increased contact deflection range above existing connectors on the market
- Gold plated Beryllium contact spring contact assures maximum contact reliability and functionality up to 5000 cycles
- Beveled lead in on pad connector facilitates smooth module engagement from either direction

ELECTRICAL

- Current Rating: 5A/contact
- Voltage Rating: 125 VAC

ENVIRONMENTAL

- Operating Temperature: -40°C to +125°C

MECHANICAL

- Contact Material: Spring contact is Be Cu, Fixed contact is Phosphor Bronze
- Contact Plating: Gold over nickel mating area, pure Tin SMT tails
- Durability 5000 Cycles

HOW TO ORDER

Prefix	Series	Number of Ways
00	9155	005
		002 = 2
		003 = 3
		004 = 4
		005 = 5
		006 = 6

40X

Standard Battery Connector

Code	Description	Reel Qty.
401	Battery Connector - Sprung Half	550
402	Battery Connector - Fixed Half	1100

00X

Plating Option

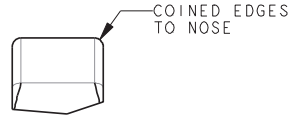
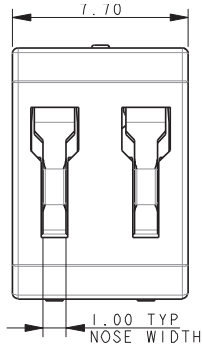
- 6 = 0.4µm Selective Gold, Pure Tin Tail
- 8 = 0.8µm Selective Gold, Pure Tin Tail



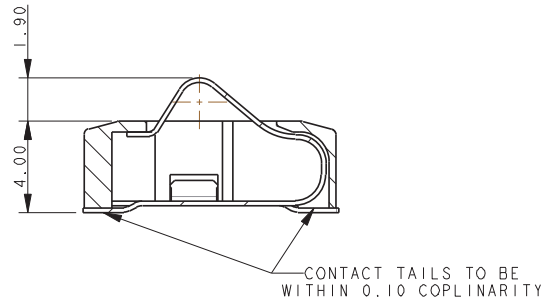
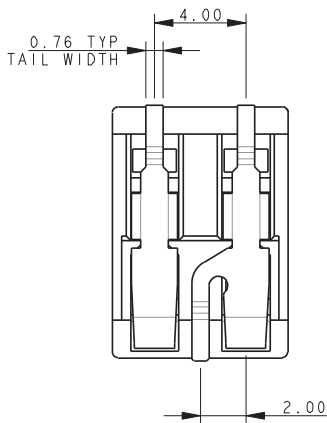
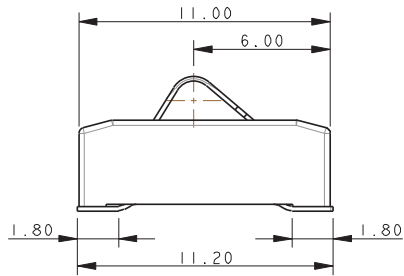
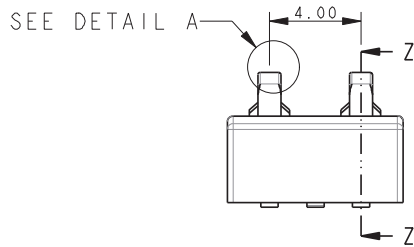
Two-Piece 4.0mm Pitch Battery

9155-400

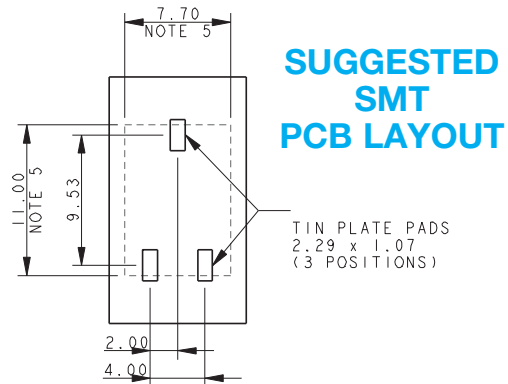
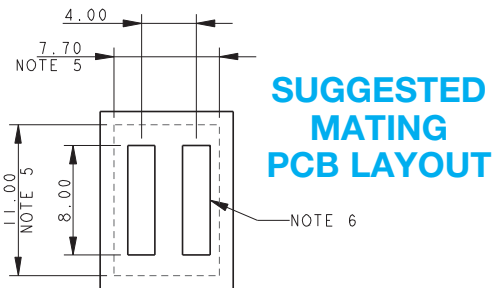
2 WAY BATTERY CONNECTOR – SPRUNG HALF



DETAIL A



SECTION ON Z-Z



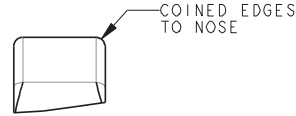
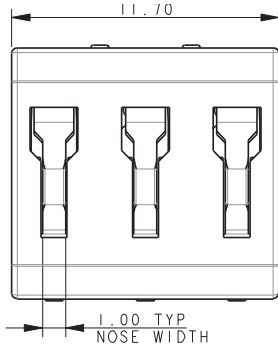
NOTES:

1. GENERAL TOLERANCE ± 0.20 UNLESS OTHERWISE STATED.
2. FOR FURTHER DETAILS REFER TO AVX SPECIFICATION 201-01-207.
3. ADDITIONAL INFORMATION AND BASIC MATING DETAILS REFER TO PAGES 12-14.
4. PACKING DETAILS ON PAGE 15.
5. CONNECTOR OUTLINE.
6. RECOMMENDED PLATING ON MATING PADS. GOLD OVER NICKEL.
7. FOR OTHER TAN VERTICAL MATING WE RECOMMEND MATING WITH THE FIXED CONNECTOR, REFER TO PAGE 13.

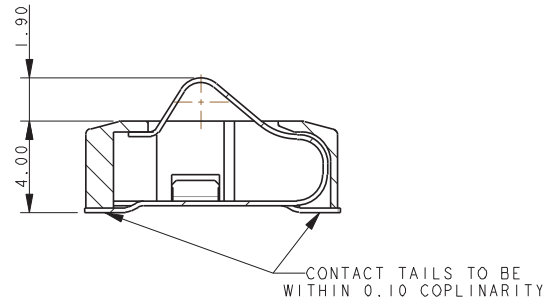
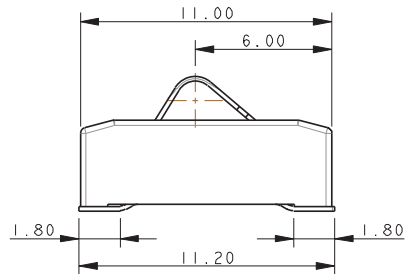
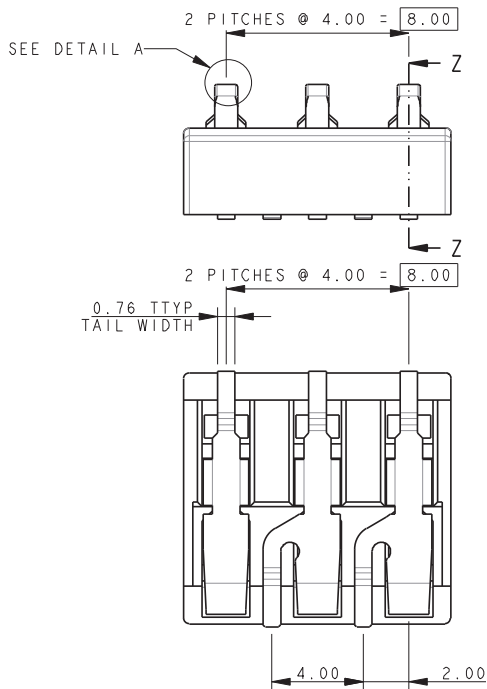
Two-Piece 4.0mm Pitch Battery

9155-400

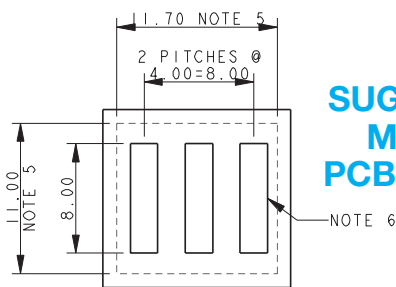
3 WAY BATTERY CONNECTOR – SPRUNG HALF



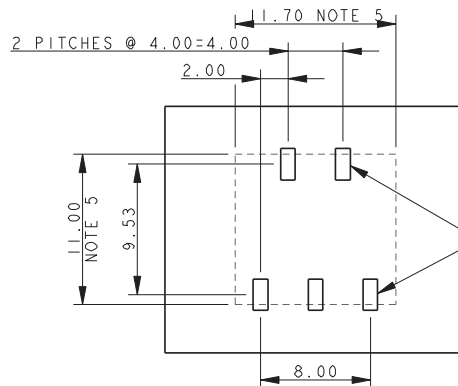
DETAIL A



SECTION ON Z-Z



SUGGESTED MATING PCB LAYOUT



SUGGESTED SMT PCB LAYOUT

TIN PLATE PADS
2.29 x 1.07
(5 POSITIONS)

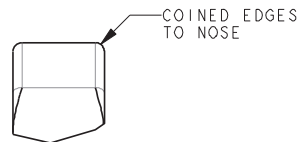
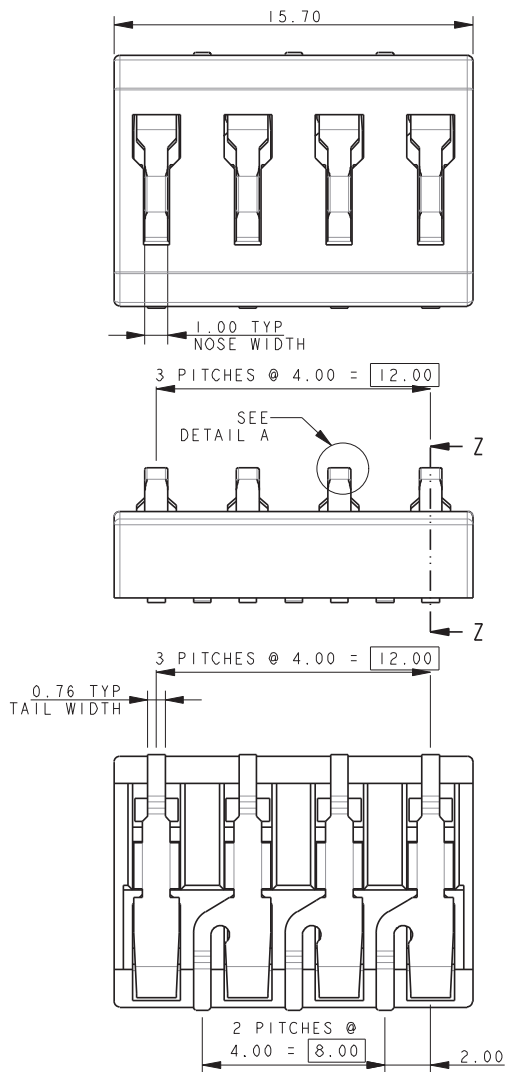
NOTES:

1. GENERAL TOLERANCE ± 0.20 UNLESS OTHERWISE STATED.
2. FOR FURTHER DETAILS REFER TO AVX SPECIFICATION 201-01-207.
3. ADDITIONAL INFORMATION AND BASIC MATING DETAILS REFER TO PAGES 12-14.
4. PACKING DETAILS ON PAGE 15.
5. CONNECTOR OUTLINE.
6. RECOMMENDED PLATING ON MATING PADS. GOLD OVER NICKEL.
7. FOR OTHER TAN VERTICAL MATING WE RECOMMEND MATING WITH THE FIXED CONNECTOR, REFER TO PAGE 13.

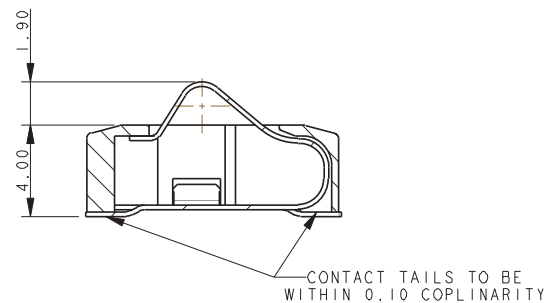
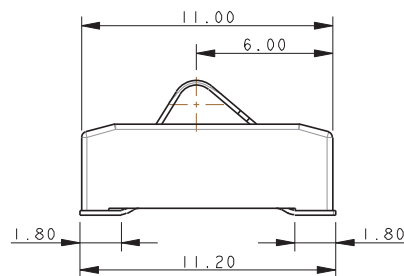
Two-Piece 4.0mm Pitch Battery

9155-400

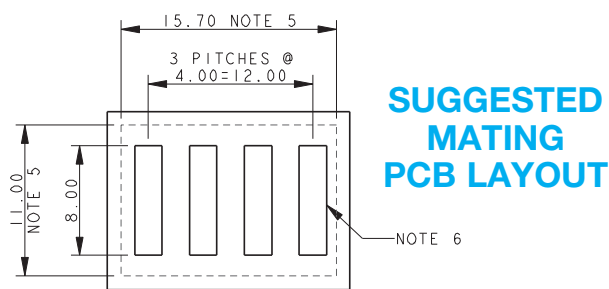
4 WAY BATTERY CONNECTOR – SPRUNG HALF



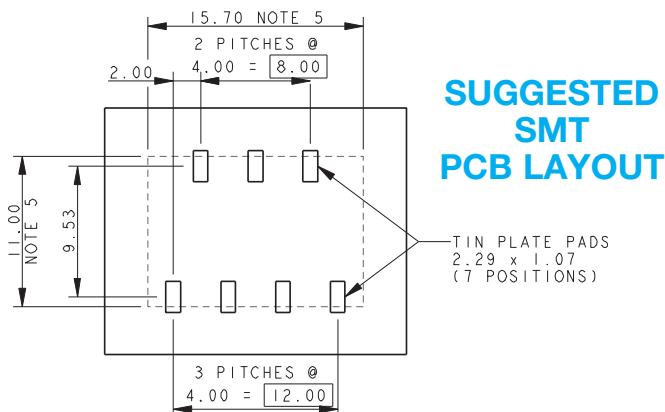
DETAIL A



SECTION ON Z-Z



SUGGESTED MATING PCB LAYOUT



SUGGESTED SMT PCB LAYOUT

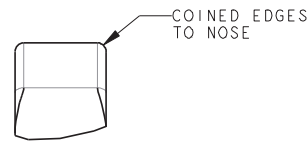
NOTES:

1. GENERAL TOLERANCE ± 0.20 UNLESS OTHERWISE STATED.
2. FOR FURTHER DETAILS REFER TO AVX SPECIFICATION 201-01-207.
3. ADDITIONAL INFORMATION AND BASIC MATING DETAILS REFER TO PAGES 12-14.
4. PACKING DETAILS ON PAGE 15.
5. CONNECTOR OUTLINE.
6. RECOMMENDED PLATING ON MATING PADS. GOLD OVER NICKEL.
7. FOR OTHER TAN VERTICAL MATING WE RECOMMEND MATING WITH THE FIXED CONNECTOR, REFER TO PAGE 13.

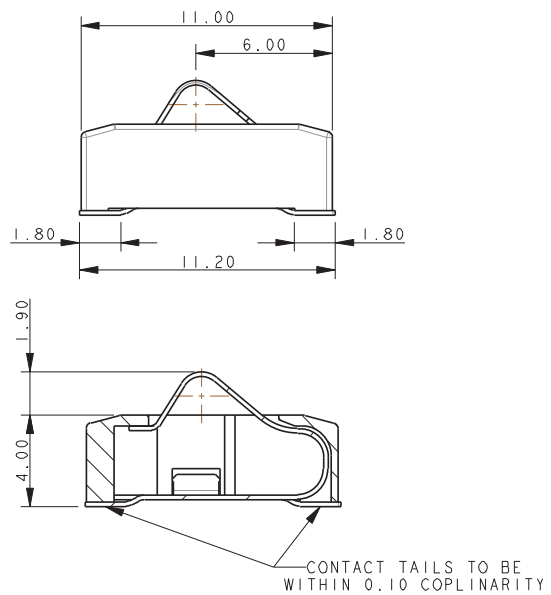
Two-Piece 4.0mm Pitch Battery

9155-400

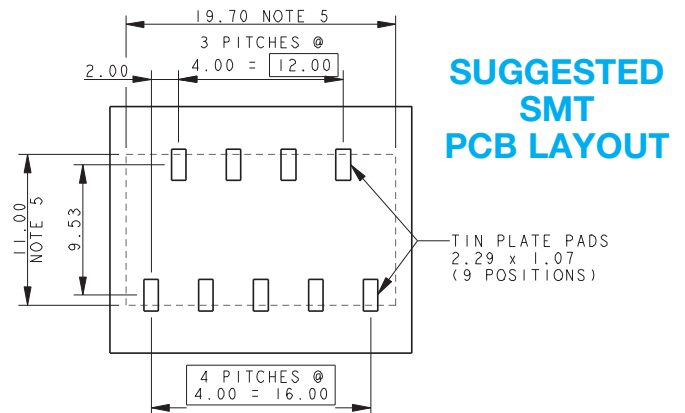
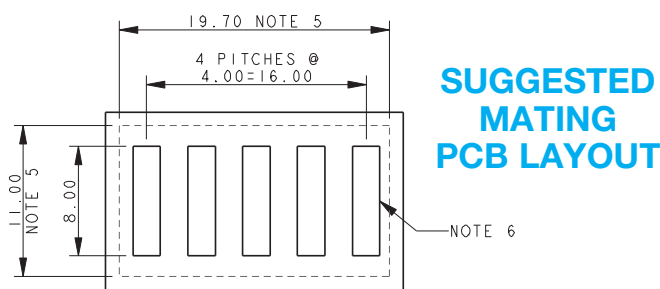
5 WAY BATTERY CONNECTOR – SPRUNG HALF



DETAIL A



SECTION ON Z-Z



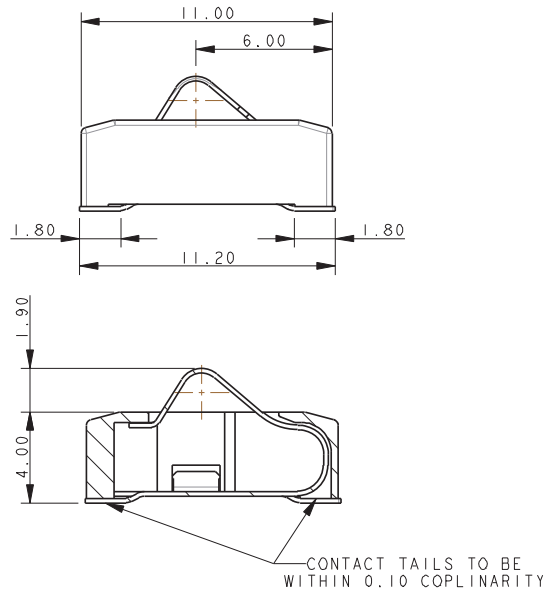
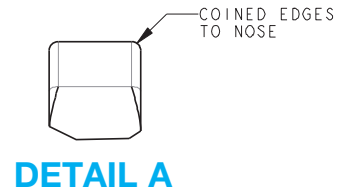
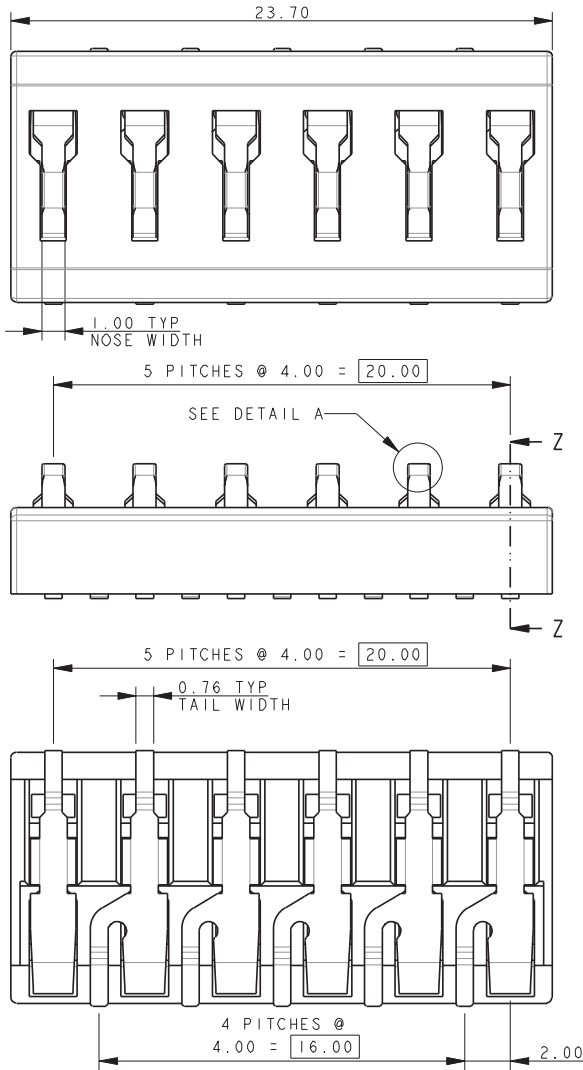
NOTES:

1. GENERAL TOLERANCE ± 0.20 UNLESS OTHERWISE STATED.
2. FOR FURTHER DETAILS REFER TO AVX SPECIFICATION 201-01-207.
3. ADDITIONAL INFORMATION AND BASIC MATING DETAILS REFER TO PAGES 12-14.
4. PACKING DETAILS ON PAGE 15.
5. CONNECTOR OUTLINE.
6. RECOMMENDED PLATING ON MATING PADS. GOLD OVER NICKEL.
7. FOR OTHER TAN VERTICAL MATING WE RECOMMEND MATING WITH THE FIXED CONNECTOR, REFER TO PAGE 13.

Two-Piece 4.0mm Pitch Battery

9155-400

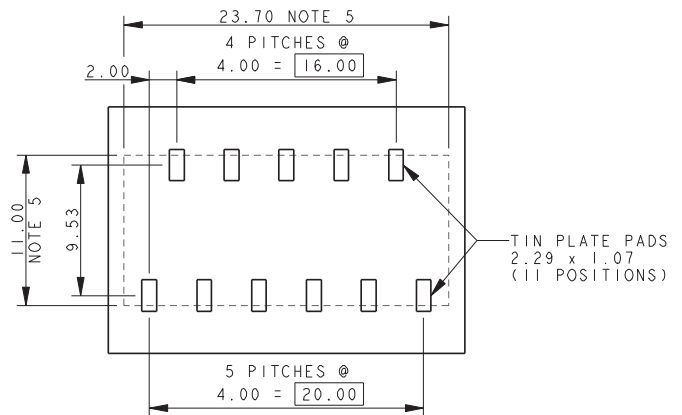
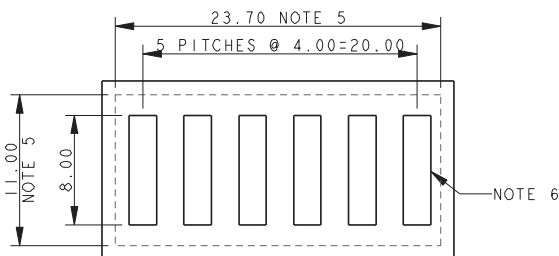
6 WAY BATTERY CONNECTOR – SPRUNG HALF



SECTION ON Z-Z

SUGGESTED SMT PCB LAYOUT

SUGGESTED MATING PCB LAYOUT



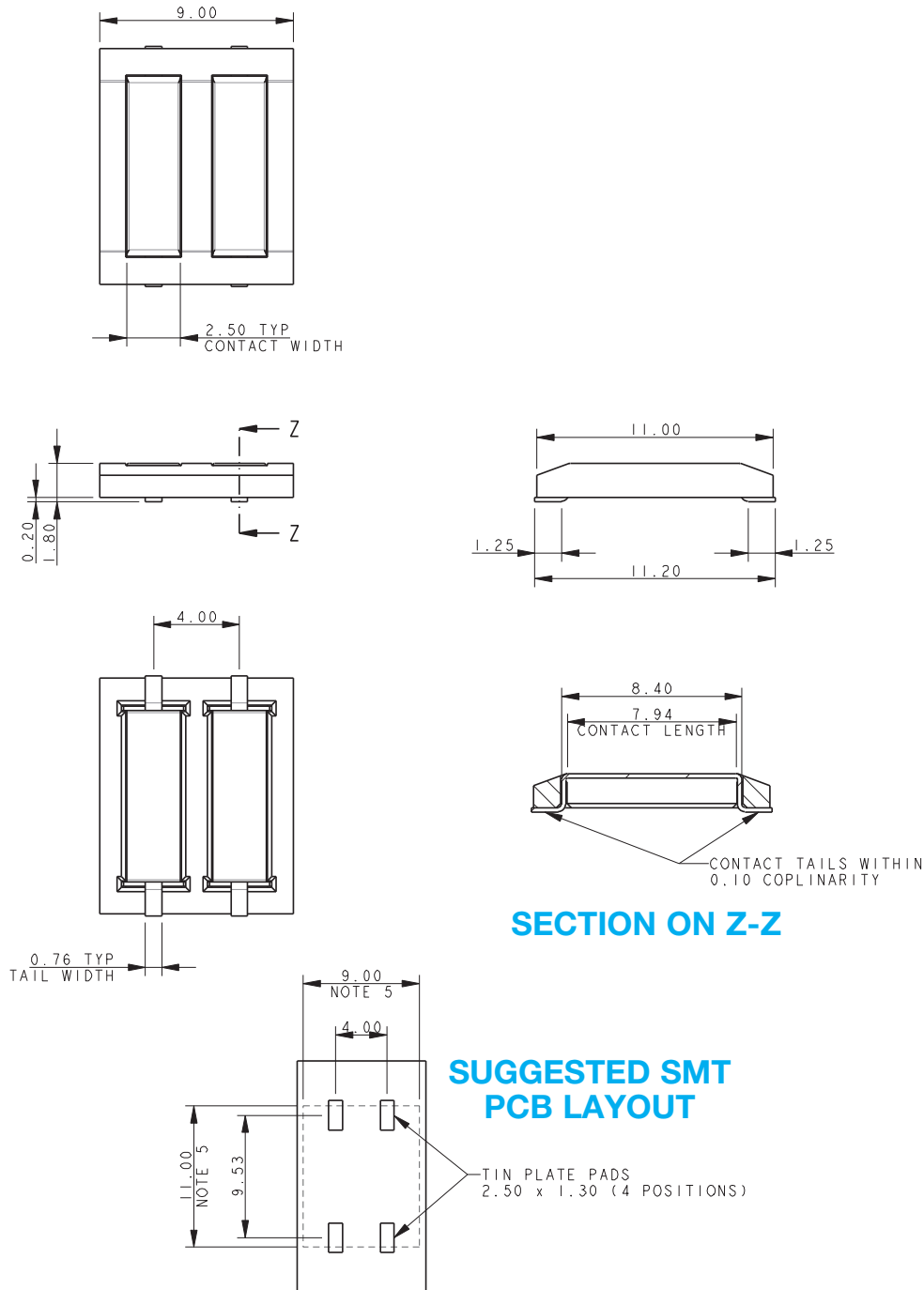
NOTES:

1. GENERAL TOLERANCE ± 0.20 UNLESS OTHERWISE STATED.
2. FOR FURTHER DETAILS REFER TO AVX SPECIFICATION 201-01-207.
3. ADDITIONAL INFORMATION AND BASIC MATING DETAILS REFER TO PAGES 12-14.
4. PACKING DETAILS ON PAGE 15.
5. CONNECTOR OUTLINE.
6. RECOMMENDED PLATING ON MATING PADS. GOLD OVER NICKEL.
7. FOR OTHER TAN VERTICAL MATING WE RECOMMEND MATING WITH THE FIXED CONNECTOR, REFER TO PAGE 13.

Two-Piece 4.0mm Pitch Battery

9155-400

2 WAY BATTERY CONNECTOR – FIXED HALF OPTIONAL



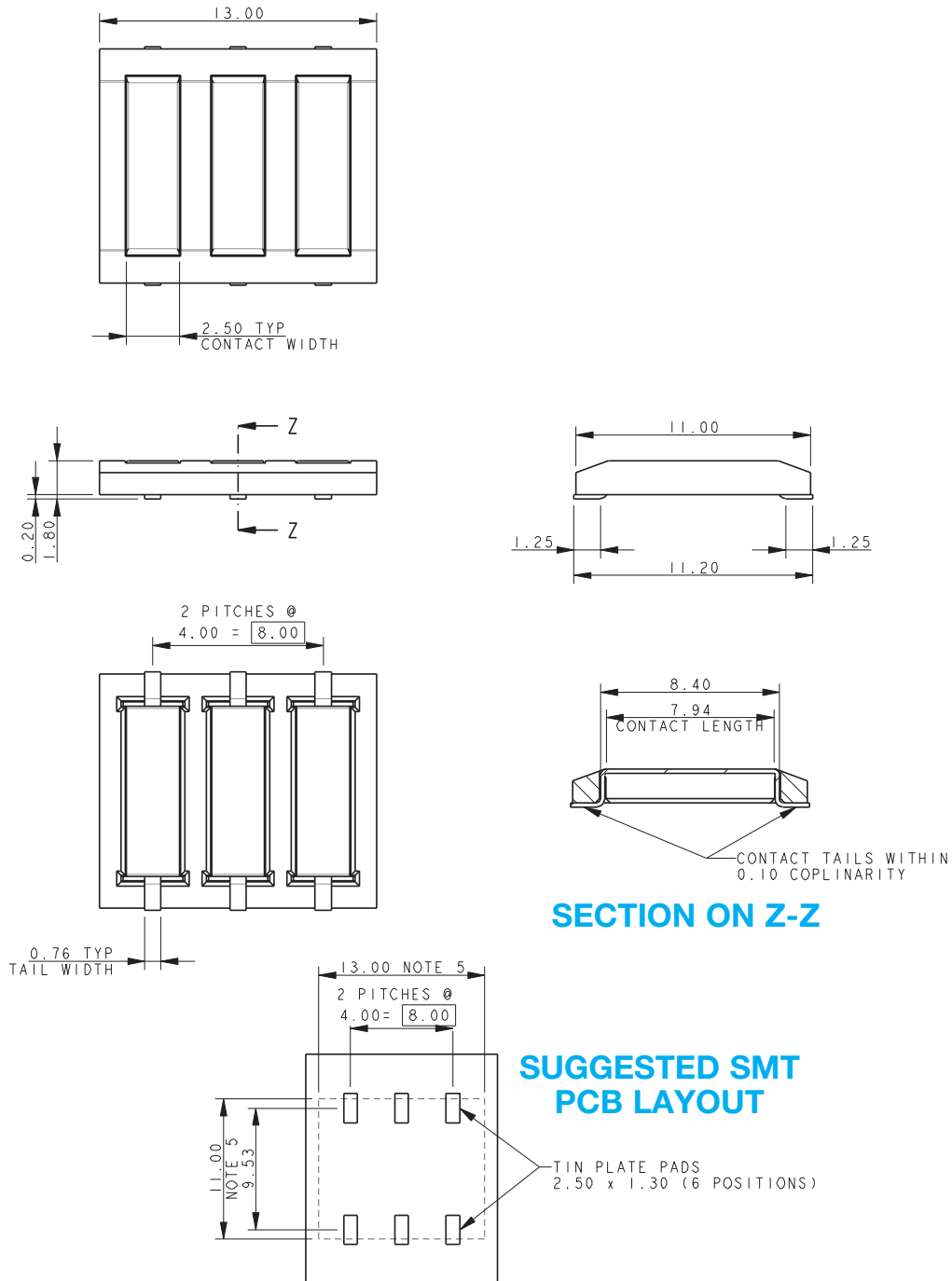
NOTES:

1. GENERAL TOLERANCE ± 0.20 UNLESS OTHERWISE STATED.
2. FOR FURTHER DETAILS REFER TO AVX SPECIFICATION 201-01-207.
3. ADDITIONAL INFORMATION AND BASIC MATING DETAILS REFER TO PAGES 12-13.
4. PACKING DETAILS ON PAGE 15.
5. CONNECTOR OUTLINE.

Two-Piece 4.0mm Pitch Battery

9155-400

3 WAY BATTERY CONNECTOR – FIXED HALF OPTIONAL



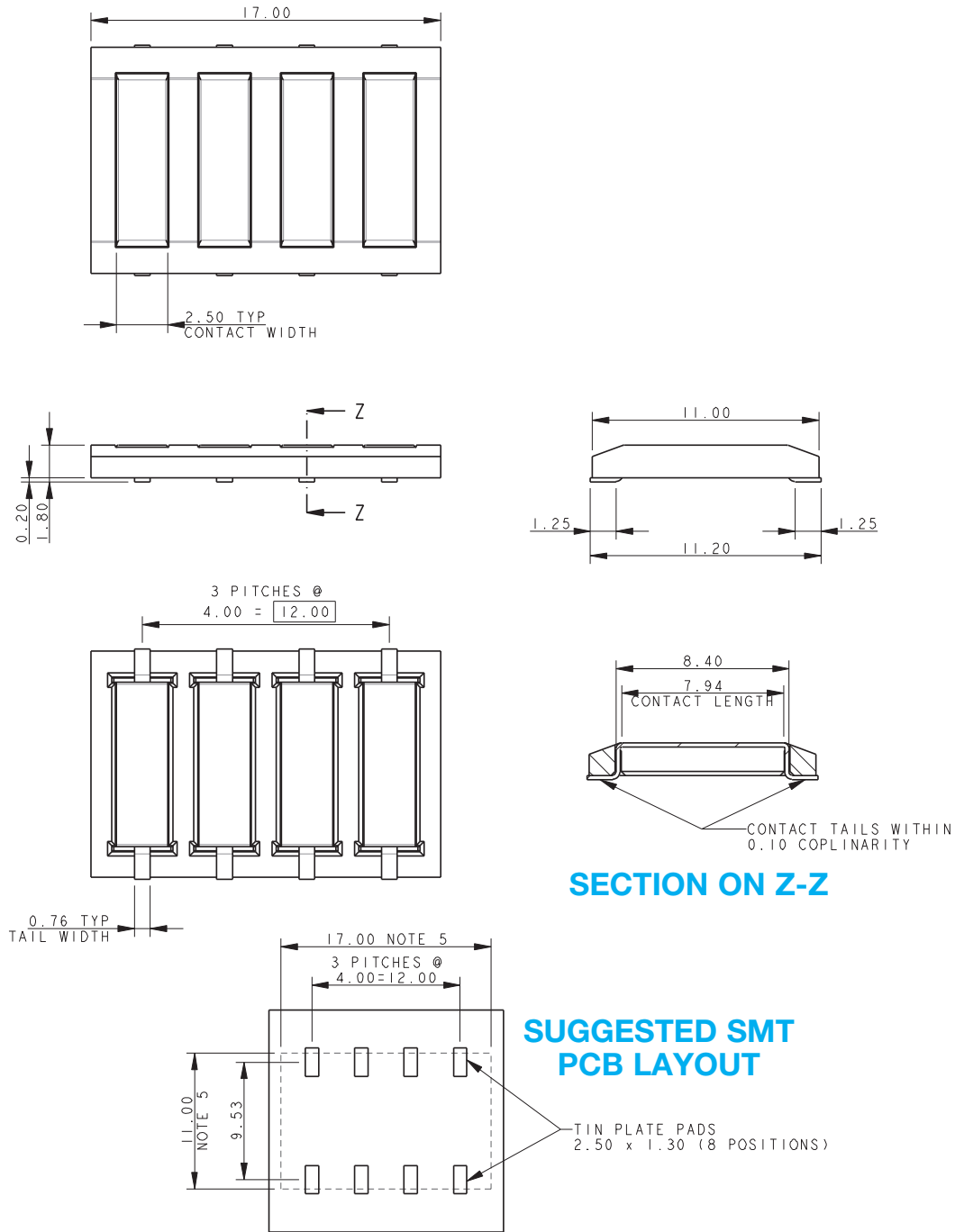
NOTES:

1. GENERAL TOLERANCE ± 0.20 UNLESS OTHERWISE STATED.
2. FOR FURTHER DETAILS REFER TO AVX SPECIFICATION 201-01-207.
3. ADDITIONAL INFORMATION AND BASIC MATING DETAILS REFER TO PAGES 12-13.
4. PACKING DETAILS ON PAGE 15.
5. CONNECTOR OUTLINE.

Two-Piece 4.0mm Pitch Battery

9155-400

4 WAY BATTERY CONNECTOR – FIXED HALF OPTIONAL



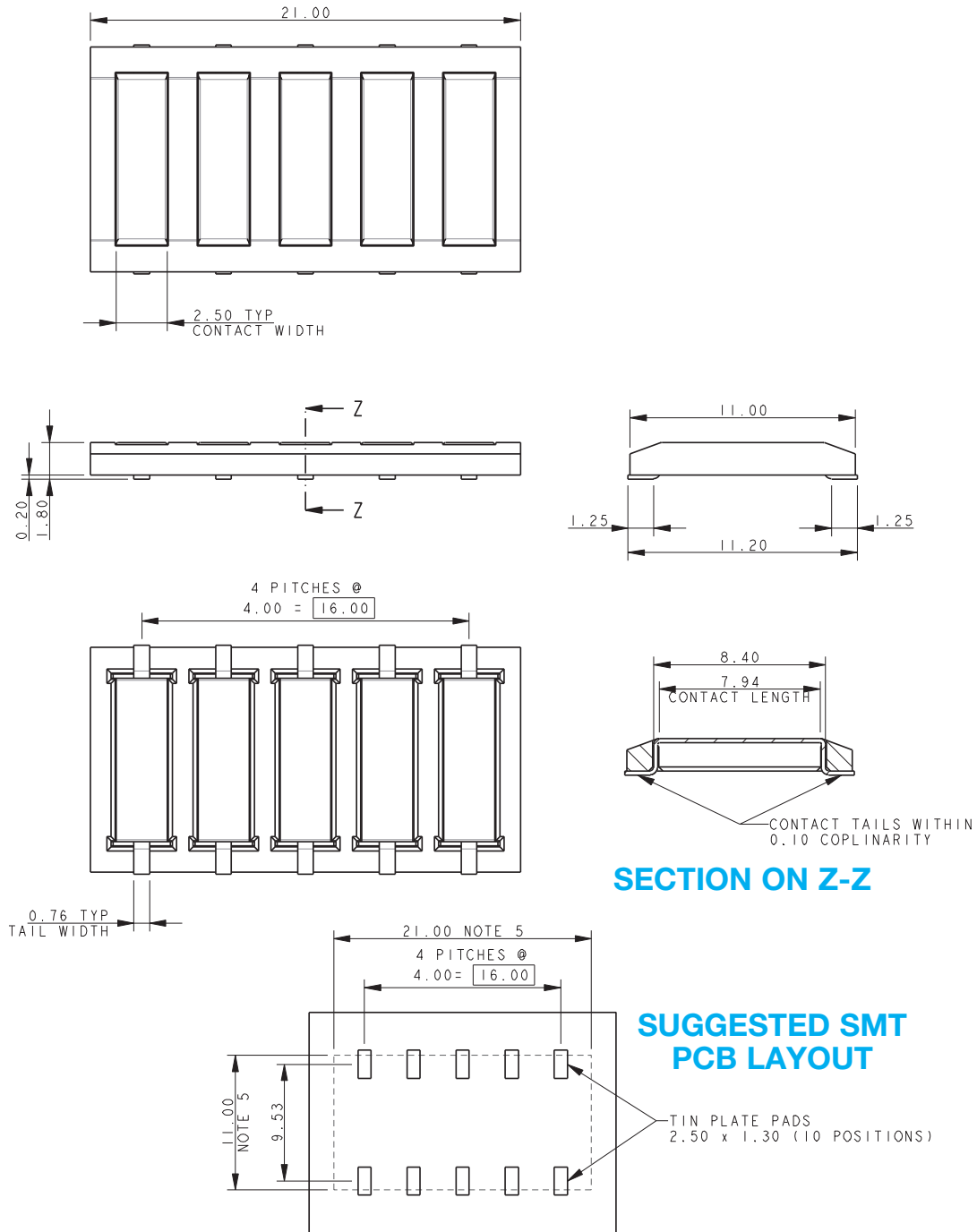
NOTES:

1. GENERAL TOLERANCE ± 0.20 UNLESS OTHERWISE STATED.
2. FOR FURTHER DETAILS REFER TO AVX SPECIFICATION 201-01-207.
3. ADDITIONAL INFORMATION AND BASIC MATING DETAILS REFER TO PAGES 12-13.
4. PACKING DETAILS ON PAGE 15.
5. CONNECTOR OUTLINE.

Two-Piece 4.0mm Pitch Battery

9155-400

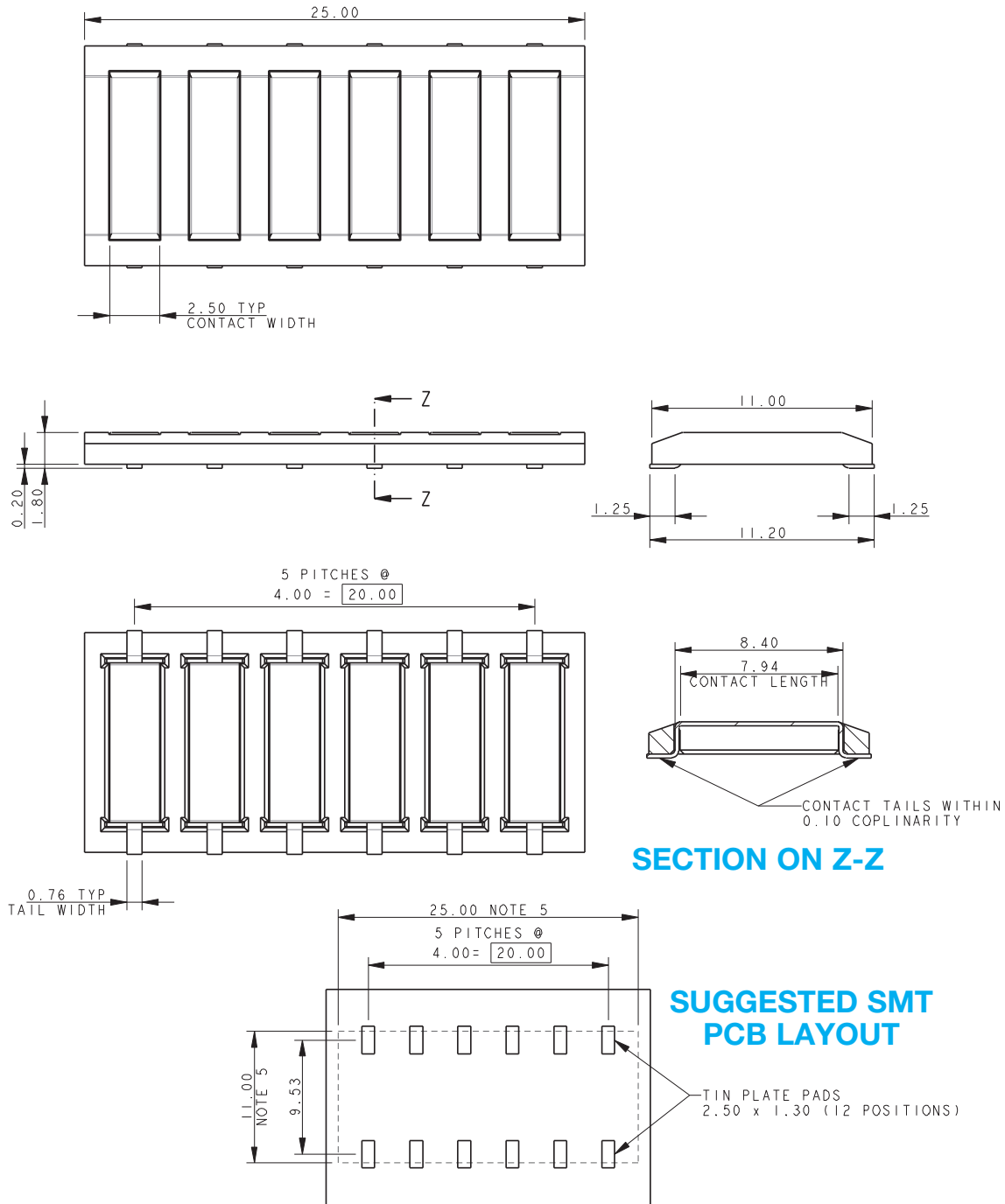
5 WAY BATTERY CONNECTOR – FIXED HALF OPTIONAL



Two-Piece 4.0mm Pitch Battery

9155-400

6 WAY BATTERY CONNECTOR – FIXED HALF OPTIONAL



NOTES:

1. GENERAL TOLERANCE ± 0.20 UNLESS OTHERWISE STATED.
2. FOR FURTHER DETAILS REFER TO AVX SPECIFICATION 201-01-207.
3. ADDITIONAL INFORMATION AND BASIC MATING DETAILS REFER TO PAGES 12-13.
4. PACKING DETAILS ON PAGE 15.
5. CONNECTOR OUTLINE.

Two-Piece 4.0mm Pitch Battery

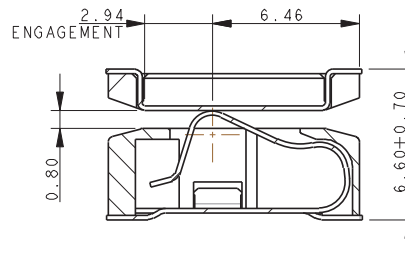
9155-400

BATTERY CONNECTOR - MATING DETAILS SPRUNG HALF MATED WITH FIXED HALF



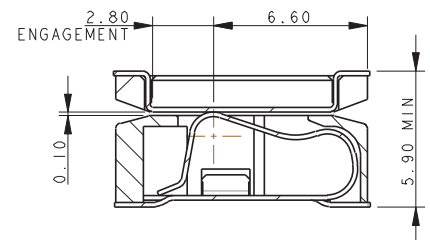
CONNECTOR ASSEMBLY
MAXIMUM GAP

PROJECTED CONTACT FORCE 0.67N



CONNECTOR ASSEMBLY
NOMINAL GAP

PROJECTED CONTACT FORCE 1.23N



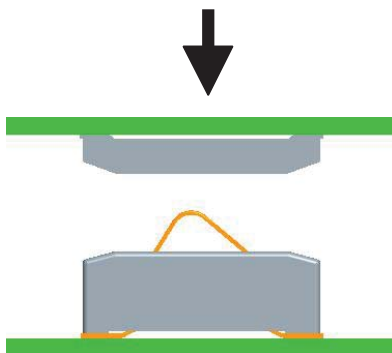
CONNECTOR ASSEMBLY
MINIMUM GAP

PROJECTED CONTACT FORCE 1.70N

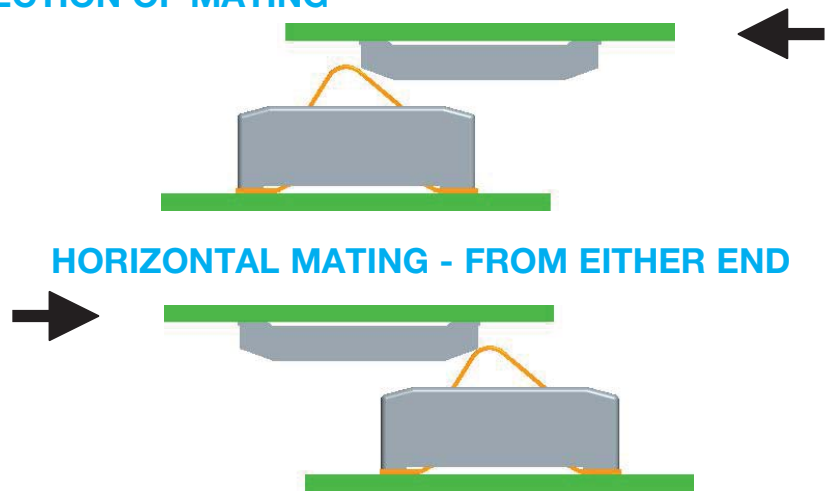
NOTES:

1. GENERAL TOLERANCE ± 0.20 UNLESS OTHERWISE STATED.
2. INSULATION MATERIAL: LCP, GLASS FILLED, UL94 V-0, COLOR BLACK.
3. CONTACT MATERIAL SPRUNG HALF: BERYLLIUM COPPER.
4. CONTACT MATERIAL FIXED HALF: PHOSPHOR BRONZE.
5. CONTACT PLATING: GOLD OVER NICKEL, PURE TIN TAILS.
6. DURABILITY 5000 OPERATIONS.
7. CURRENT RATING 5A.
8. CONTACT RESISTANCE 25m Ω MAX.

BATTERY CONNECTOR - MATING DETAILS DIRECTION OF MATING

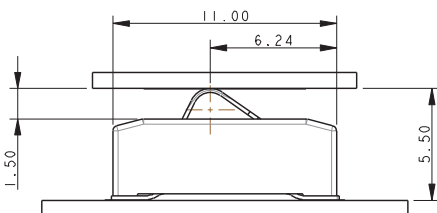


VERTICAL MATING



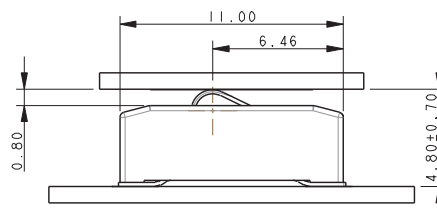
HORIZONTAL MATING - FROM EITHER END

BATTERY CONNECTOR - MATING DETAILS SPRUNG HALF MATED WITH PCB



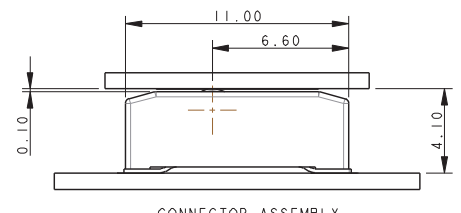
CONNECTOR ASSEMBLY
MAXIMUM GAP

PROJECTED CONTACT FORCE 0.67N



CONNECTOR ASSEMBLY
NOMINAL GAP

PROJECTED CONTACT FORCE 1.23N



CONNECTOR ASSEMBLY
MINIMUM GAP

PROJECTED CONTACT FORCE 1.70N

NOTES:

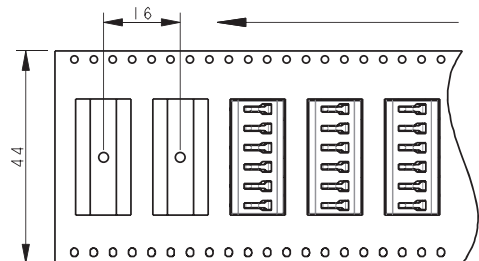
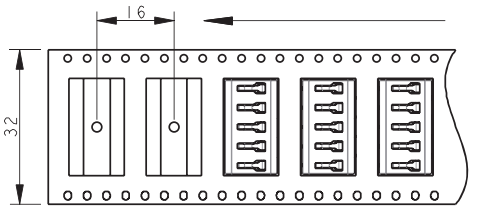
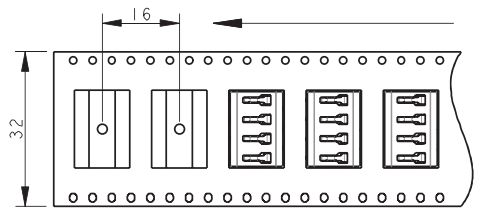
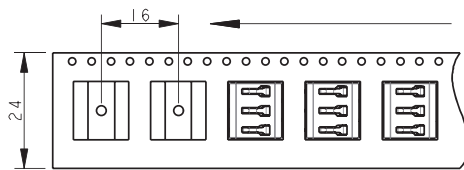
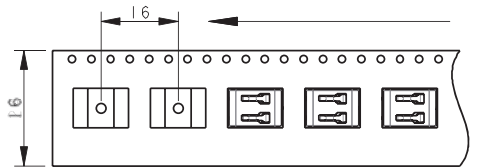
1. GENERAL TOLERANCE ± 0.20 UNLESS OTHERWISE STATED.
2. SPRUNG HALF MATED WITH GOLD PLATED PAD ON PCB
3. VERTICAL MATING ONLY.

Two-Piece 4.0mm Pitch Battery

9155-400

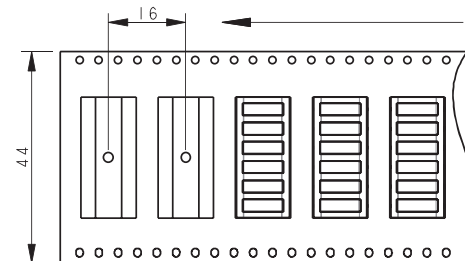
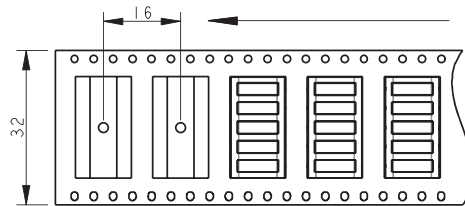
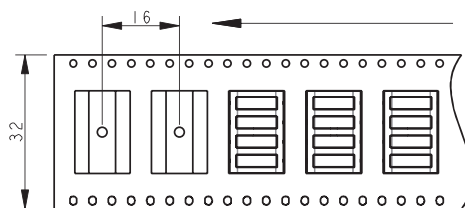
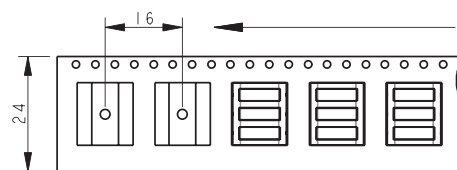
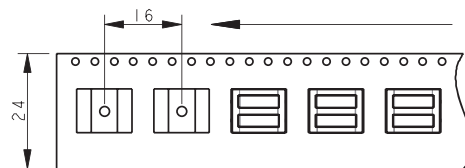
BI-DIRECTIONAL BATTERY CONNECTOR - PACKING DETAILS

PACKING DETAILS SPRUNG CONNECTOR



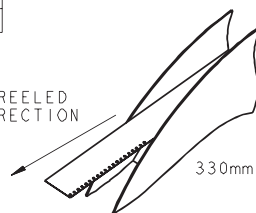
REEL QTY	550
LEADER	500mm
TRAILER	500mm

PACKING DETAILS FIXED CONNECTOR



REEL QTY	1100
LEADER	500mm
TRAILER	500mm

UNREELED
DIRECTION



330mm DIAMETER REEL

Компания «Океан Электроники» предлагает заключение долгосрочных отношений при поставках импортных электронных компонентов на взаимовыгодных условиях!

Наши преимущества:

- Поставка оригинальных импортных электронных компонентов напрямую с производств Америки, Европы и Азии, а так же с крупнейших складов мира;
- Широкая линейка поставок активных и пассивных импортных электронных компонентов (более 30 млн. наименований);
- Поставка сложных, дефицитных, либо снятых с производства позиций;
- Оперативные сроки поставки под заказ (от 5 рабочих дней);
- Экспресс доставка в любую точку России;
- Помощь Конструкторского Отдела и консультации квалифицированных инженеров;
- Техническая поддержка проекта, помощь в подборе аналогов, поставка прототипов;
- Поставка электронных компонентов под контролем ВП;
- Система менеджмента качества сертифицирована по Международному стандарту ISO 9001;
- При необходимости вся продукция военного и аэрокосмического назначения проходит испытания и сертификацию в лаборатории (по согласованию с заказчиком);
- Поставка специализированных компонентов военного и аэрокосмического уровня качества (Xilinx, Altera, Analog Devices, Intersil, Interpoint, Microsemi, Actel, Aeroflex, Peregrine, VPT, Syfer, Eurofarad, Texas Instruments, MS Kennedy, Miteq, Cobham, E2V, MA-COM, Hittite, Mini-Circuits, General Dynamics и др.);

Компания «Океан Электроники» является официальным дистрибьютором и эксклюзивным представителем в России одного из крупнейших производителей разъемов военного и аэрокосмического назначения «JONHON», а так же официальным дистрибьютором и эксклюзивным представителем в России производителя высокотехнологичных и надежных решений для передачи СВЧ сигналов «FORSTAR».



JONHON

«JONHON» (основан в 1970 г.)

Разъемы специального, военного и аэрокосмического назначения:

(Применяются в военной, авиационной, аэрокосмической, морской, железнодорожной, горно- и нефтедобывающей отраслях промышленности)

«FORSTAR» (основан в 1998 г.)

ВЧ соединители, коаксиальные кабели,
кабельные сборки и микроволновые компоненты:

(Применяются в телекоммуникациях гражданского и специального назначения, в средствах связи, РЛС, а так же военной, авиационной и аэрокосмической отраслях промышленности).



Телефон: 8 (812) 309-75-97 (многоканальный)

Факс: 8 (812) 320-03-32

Электронная почта: ocean@oceanchips.ru

Web: <http://oceanchips.ru/>

Адрес: 198099, г. Санкт-Петербург, ул. Калинина, д. 2, корп. 4, лит. А