

3M™ Wiremount Plug

.100" × .100" Connector for .050" Pitch Cable

4600 Series



- Shrouded to protect against physical and chemical pin damage
- Open or closed end covers available
- Optional ejector latches
- Accepts flat cable or discrete wire
- Military (with 3518 polarizing key) and centerbump polarization available
- Optional mounting flanges
- Optional metal strain relief
- RoHS Compliant. See the Regulatory Information Appendix (RIA) in the "RoHS Compliance" section of www.3Mconnectors.com for compliance information (RIA E1 & C1 apply)

Date Modified: March 21, 2012

TS-0086-C
Sheet 1 of 4

Physical

Insulator:

Material: Glass Filled Polyester (PBT)

Flammability: UL 94V-0

Color: Gray

Contact:

Material: Copper Alloy

Plating:

Underplating and U-Slot: 100 μ" [2.54 μm] Nickel

Wiping Area: 30 μ" [0.76 μm] Gold

Wire Accommodation: 26 and 28 AWG Solid and Stranded

Marking: 3M Logo, Part Identification Number, and Contact Position Numbers

Electrical

Current Rating: 1 A

Insulation Resistance: $> 1 \times 10^9 \Omega$ at 500 V_{DC}

Withstanding Voltage: 1,000 V_{RMS} at Sea Level

Environmental

Temperature Rating: -55°C to +105°C

UL File No.: E68080

3M

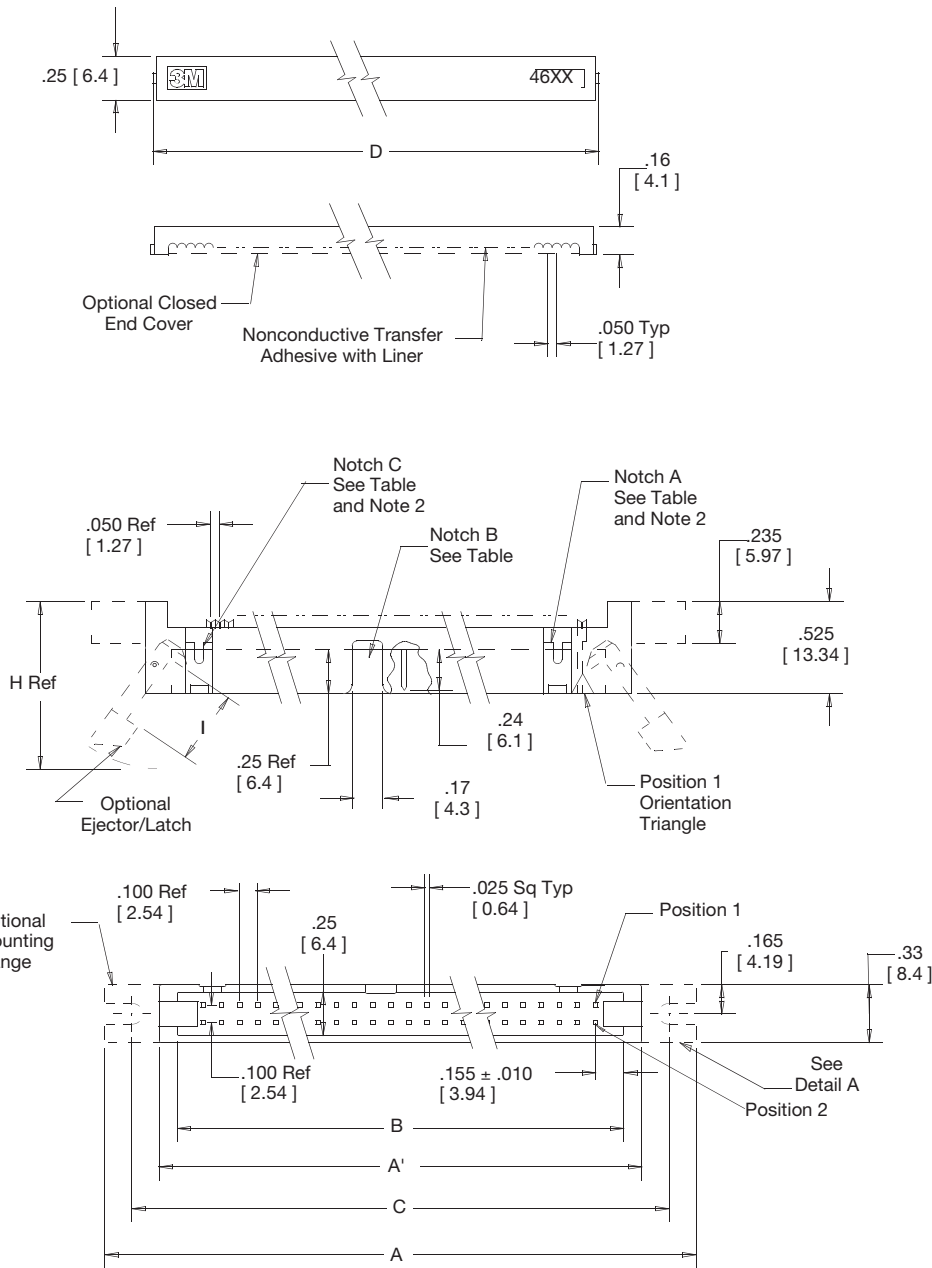
Electronic Solutions Division
Interconnect Solutions
<http://www.3Mconnectors.com>

3M is a trademark of 3M Company.
For technical, sales or ordering information call
800-225-5373

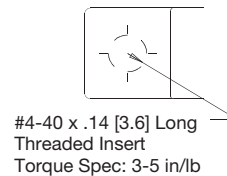
3M™ Wiremount Plug

.100" x .100" Connector for .050" Pitch Cable

4600 Series



Slotted Mounting Flange
46XX-XXX0



Threaded Mounting Flange
46XX-XXX5
Detail A

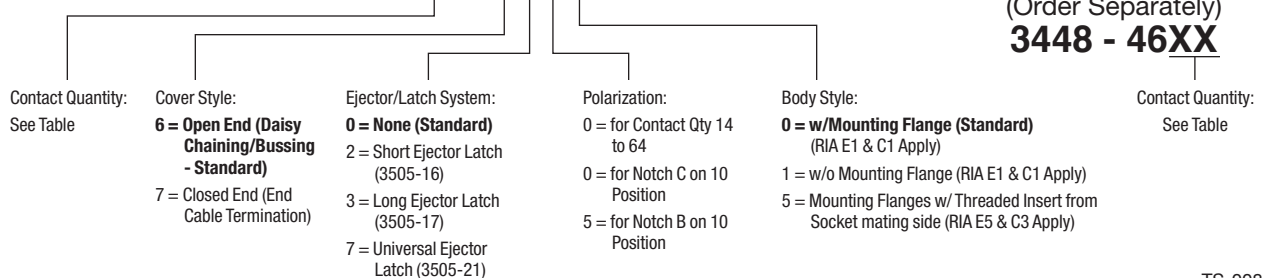
| Tolerance Unless Noted | | | |
|------------------------|-----|------|-------|
| | .0 | .0 | .000 |
| inch | ±.1 | ±.01 | ±.005 |

[] Dimensions for Reference Only



Ordering Information

46XX - XXXX



Assembly tools: 3M™ Press, 3640 (or equivalent) ; 3M™ Locator Plate, 3443-96; 3M™ Platen, 3442-9

TS-0086-C
Sheet 2 of 4

3M™ Wiremount Plug

.100" x .100" Connector for .050" Pitch Cable

4600 Series

| Pin Qty | Dimensions | | | | | | Polarizing Notches Provided |
|---------|--------------|-------------|-------------|-------------|-------------|-------------|-----------------------------|
| | A | A' | B | C | D | E | |
| 10 | 1.50 [38.1] | 0.90 [22.9] | 0.71 [18.0] | 1.20 [30.5] | 0.77 [19.6] | 0.85 [21.6] | B or C (See Note 1) |
| 14 | 1.70 [43.2] | 1.10 [27.9] | 0.91 [23.1] | 1.40 [35.6] | 0.97 [24.6] | 1.05 [26.7] | BC |
| 16 | 1.80 [45.7] | 1.20 [30.5] | 1.01 [25.7] | 1.50 [38.1] | 1.07 [27.2] | 1.15 [29.2] | ABC |
| 20 | 2.00 [50.8] | 1.40 [35.6] | 1.21 [30.7] | 1.70 [43.2] | 1.27 [32.3] | 1.35 [34.3] | ABC |
| 24 | 2.20 [55.9] | 1.60 [40.6] | 1.41 [35.8] | 1.90 [48.3] | 1.47 [37.3] | 1.55 [41.9] | ABC |
| 26 | 2.30 [58.4] | 1.70 [43.2] | 1.51 [38.4] | 2.00 [50.8] | 1.57 [39.9] | 1.65 [46.9] | ABC |
| 30 | 2.50 [63.5] | 1.90 [48.3] | 1.71 [43.4] | 2.20 [55.9] | 1.77 [45.0] | 1.85 [47.1] | ABC |
| 34 | 2.70 [68.6] | 2.10 [53.3] | 1.91 [48.5] | 2.40 [61.0] | 1.97 [50.0] | 2.05 [52.1] | ABC |
| 36 | 2.80 [71.1] | 2.20 [55.9] | 2.01 [51.1] | 2.50 [63.5] | 2.07 [52.6] | 2.15 [54.6] | ABC |
| 40 | 3.00 [76.2] | 2.40 [61.0] | 2.21 [56.1] | 2.70 [68.6] | 2.27 [57.7] | 2.35 [59.7] | ABC |
| 50 | 3.50 [88.9] | 2.90 [73.7] | 2.71 [68.8] | 3.20 [81.3] | 2.77 [70.4] | 2.85 [72.4] | ABC |
| 60 | 4.00 [101.6] | 3.40 [86.4] | 3.21 [81.5] | 3.70 [94.0] | 3.27 [83.1] | 3.35 [85.1] | ABC |
| 64 | 4.20 [106.7] | 3.60 [91.4] | 3.41 [86.6] | 3.90 [99.1] | 3.47 [88.1] | 3.55 [90.2] | ABC |

| Ejector/Latch Option | Part Number | Dimensions | | | |
|----------------------|-------------|--------------|--------------|--------------|------------|
| | | F | G | H | I |
| Short | 3505-16 | .335 [8.51] | .726 [18.44] | 0.92 [23.4] | .41 [10.4] |
| Long | 3505-17 | .484 [12.29] | .875 [22.23] | 1.07 [27.2] | .56 [14.2] |
| Universal | 3505-21 | .484 [12.29] | .809 [20.55] | 1.01 [25.65] | .56 [14.2] |



Notes:
The distance from the strain relief to the connector is equal to .04 [1.0] plus the cable thickness.

TS-0086-C
Sheet 3 of 4

3M™ Wiremount Plug

.100" × .100" Connector for .050" Pitch Cable

4600 Series

Table 3

| Contact Quantity | 3M Part Number Series | Dimension A | Dimension B |
|------------------|-----------------------|-----------------|-----------------|
| 10 | 4610 | 1.200 [30.48] | 0.945 [24.00] |
| 14 | 4614 | 1.400 [35.56] | 1.145 [29.08] |
| 16 | 4616 | 1.500 [38.10] | 1.245 [31.62] |
| 20 | 4620 | 1.700 [43.18] | 1.445 [36.70] |
| 24 | 4624 | 1.900 [48.26] | 1.645 [41.78] |
| 26 | 4626 | 2.000 [50.80] | 1.745 [44.32] |
| 30 | 4630 | 2.200 [55.88] | 1.945 [49.40] |
| 34 | 4634 | 2.400 [60.96] | 2.145 [54.48] |
| 36 | 4636 | 2.500 [63.50] | 2.245 [57.02] |
| 40 | 4640 | 2.700 [68.58] | 2.445 [62.10] |
| 50 | 4650 | 3.200 [81.28] | 2.945 [74.80] |
| 60 | 4660 | 3.700 [93.98] | 3.445 [87.50] |
| 64 | 4664 | 3.900 [99.06] | 3.645 [92.58] |



Rear Mount Panel Cutout

Notes:

1. Accepts #4 pan head machine screw.
2. For a rear mount plug connector with Ejector/Latches the recommended maximum panel thickness is .125 [3.18].
3. Without polarizing tabs .340 [8.64].

TS-0086-C
Sheet 4 of 4

3M is a trademark of 3M Company.

Important Notice

All statements, technical information, and recommendations related to 3M's products are based on information believed to be reliable, but the accuracy or completeness is not guaranteed. Before using this product, you must evaluate it and determine if it is suitable for your intended application. You assume all risks and liability associated with such use. Any statements related to the product which are not contained in 3M's current publications, or any contrary statements contained on your purchase order shall have no force or effect unless expressly agreed upon, in writing, by an authorized officer of 3M.

Warranty; Limited Remedy; Limited Liability.

This product will be free from defects in material and manufacture for a period of one (1) year from the time of purchase. **3M MAKES NO OTHER WARRANTIES INCLUDING, BUT NOT LIMITED TO, ANY IMPLIED WARRANTY OF MERCHANTABILITY OR FITNESS FOR A PARTICULAR PURPOSE.** If this product is defective within the warranty period stated above, your exclusive remedy shall be, at 3M's option, to replace or repair the 3M product or refund the purchase price of the 3M product. **Except where prohibited by law, 3M will not be liable for any indirect, special, incidental or consequential loss or damage arising from this 3M product, regardless of the legal theory asserted.**



3M Electronics Solutions Division

6801 River Place Blvd.
Austin, TX 78726-9000
U.S.A.
1-800-225-5373
www.3Mconnectors.com

Please recycle. Printed in USA.
© 3M 2012. All rights reserved.
RIA-2217B-E

Компания «Океан Электроники» предлагает заключение долгосрочных отношений при поставках импортных электронных компонентов на взаимовыгодных условиях!

Наши преимущества:

- Поставка оригинальных импортных электронных компонентов напрямую с производств Америки, Европы и Азии, а так же с крупнейших складов мира;
- Широкая линейка поставок активных и пассивных импортных электронных компонентов (более 30 млн. наименований);
- Поставка сложных, дефицитных, либо снятых с производства позиций;
- Оперативные сроки поставки под заказ (от 5 рабочих дней);
- Экспресс доставка в любую точку России;
- Помощь Конструкторского Отдела и консультации квалифицированных инженеров;
- Техническая поддержка проекта, помощь в подборе аналогов, поставка прототипов;
- Поставка электронных компонентов под контролем ВП;
- Система менеджмента качества сертифицирована по Международному стандарту ISO 9001;
- При необходимости вся продукция военного и аэрокосмического назначения проходит испытания и сертификацию в лаборатории (по согласованию с заказчиком);
- Поставка специализированных компонентов военного и аэрокосмического уровня качества (Xilinx, Altera, Analog Devices, Intersil, Interpoint, Microsemi, Actel, Aeroflex, Peregrine, VPT, Syfer, Eurofarad, Texas Instruments, MS Kennedy, Miteq, Cobham, E2V, MA-COM, Hittite, Mini-Circuits, General Dynamics и др.);

Компания «Океан Электроники» является официальным дистрибьютором и эксклюзивным представителем в России одного из крупнейших производителей разъемов военного и аэрокосмического назначения «JONHON», а так же официальным дистрибьютором и эксклюзивным представителем в России производителя высокотехнологичных и надежных решений для передачи СВЧ сигналов «FORSTAR».



JONHON

«JONHON» (основан в 1970 г.)

Разъемы специального, военного и аэрокосмического назначения:

(Применяются в военной, авиационной, аэрокосмической, морской, железнодорожной, горно- и нефтедобывающей отраслях промышленности)

«FORSTAR» (основан в 1998 г.)

ВЧ соединители, коаксиальные кабели,
кабельные сборки и микроволновые компоненты:

(Применяются в телекоммуникациях гражданского и специального назначения, в средствах связи, РЛС, а так же военной, авиационной и аэрокосмической отраслях промышленности).



Телефон: 8 (812) 309-75-97 (многоканальный)

Факс: 8 (812) 320-03-32

Электронная почта: ocean@oceanchips.ru

Web: <http://oceanchips.ru/>

Адрес: 198099, г. Санкт-Петербург, ул. Калинина, д. 2, корп. 4, лит. А