

Digital Mixed-Signal Power Manager Quickstart Card

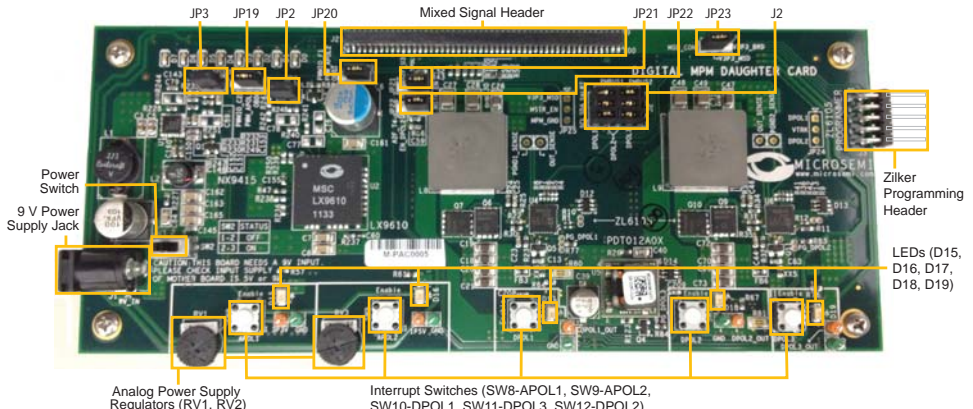
Kit Contents – DMPM-DC-KIT

Quantity	Description
1	Digital Mixed-Signal Power Manager Daughter Card Kit
1	9 V power supply
1	USB A/B cable
1	USB-ISS – USB to I2C communication module
3	Jumper wires

Note: The DMPM-DC-KIT is RoHS compliant.

Overview

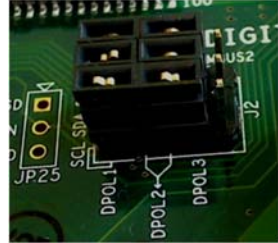
Microsemi's Digital Mixed-Signal Power Manager (DMPM) Kit enables system designers to evaluate the functionality of Microsemi's power management solutions in hardware with a five-regulator benchtop power management development system. The MPM Daughter Card includes two analog regulators, three digital point-of-load (POL) power supplies, two voltage bias potentiometers, and five fault introduction push-button switches, implementing five fully independent power supplies that can be varied and interrupted to demonstrate the management capabilities of Microsemi's mixed signal power management solution, MPM.



Connections, Jumper Switches, and Settings

Confirm that jumpers are in the default settings to enable the MPM for SmartFusion® design to function correctly before powering up the boards.

- Jumpers for I²C setup in J2 bank
 - J2A pin 1–J2B pin 2
 - J2C pin 3–J2D pin 4
 - J2A pin 6–J2B pin 7
 - J2C pin 8–J2D pin 9
 - J2A pin 11–J2B pin 12
 - J2C pin 13–J2D pin 14
- Jumpers for enabling trimming of APOL1 and APOL2
 - JP2 and JP3 populated
- RC and Trim resistors
 - JP19 and JP20 – pins 1–2
- Jumper option for DPOL enable signal
 - JP21 and JP22 – pins 1-2



MPM Reference Design Demo

The MPM reference design takes advantage of the processing power and programmable flexibility of the SmartFusion customizable system-on-chip (cSoC) on the SmartFusion Evaluation Kit or Development Kit. Connect either kit to the daughter card and download the software as described to run the demo.

The daughter card consists of five regulated power supplies running from a 9 V supply.

- Two analog Microsemi switching regulators for 1.5 V and 3.3 V
- Two digital Intersil switching regulators for 1.5 V and 3.3 V
- One digital Lineage switching regulator for 1.5 V

Using the MPM design one can do the following:

- Monitor voltage for all rails
- Sequence different power rails for power-up and power-down
- Trim and margin a voltage rail in a closed loop
- Sweep the output voltage (POT circuit to change resistor on feedback voltage)
- Induce failures by disabling the enable input of regulator (push-button to GND enable)

Power sequencing is done by sequentially asserting or deasserting channel enable pins for power-up and power-down, respectively, and monitoring the associated channel voltage. All enable pins to the regulator are active high.

Software for MPM Reference Design

Download the MPM executable, which contains the demo design, from the Microsemi website:

www.microsemi.com/soc/products/hardware/devkits_boards/mpm_v4_dc.aspx

Run the demo design executable. This will install the MPM GUI. From the MPM GUI you can program the demo design into the SmartFusion device and configure your power sequence or trimming. You can update the sequence by uploading only the NVM register locations after the first time you program the main design to the board.

Running the MPM Reference Design

With the SmartFusion Evaluation Kit – Connect the MPM daughter card to the A2F-EVAL-KIT board. Connect both USB cables from your PC to the evaluation kit. One USB provides power and UART connection; the other provides the programming connection.

With the SmartFusion Development Kit – Connect the MPM daughter card to the A2F-DEV-KIT board. Connect the 9 V power supply to the MPM Daughter Card and the 5 V power supply to the development kit. It is a good idea to double-check the voltages before connecting the supplies. Connect the low-cost programming stick to the development kit and connect with a USB cable to the PC for programming. Also connect the other USB cable to the USB connection on the board and to your PC.

From the MPM GUI, select **Data > FlashPro > Choose STAPL Template** to load the correct MPM design and then select **Data > FlashPro > Write NVM & Fabric** to load the design into the device for the first time. Use the switches on the evaluation or development kit to activate the power-up sequence. You can then create interrupts and change POT settings to review the performance of the board. The OLED shows the voltage of each of the first four power rails.

- SW1 initiates MPM power-up or power-down, depending on current state
- SW2 moves to the next OLED “screen” (e.g., next channel details)

To change the power sequence, use the GUI to change the settings and then do **Data > FlashPro > Write NVM** to update the register settings. It is not necessary to write the fabric again.

The demo design has many capabilities. To fully understand and use power management, please refer to the documentation.

Documentation Resources

For full information on the daughter card and the usage of the MPM GUI, refer to the MPM User's Guide, Mixed Signal Power Manager Kit website page:

http://www.microsemi.com/soc/products/hardware/devkits_boards/mpm_v4_dc.aspx#rsc

The source files for the reference design are also available to allow you to adapt and develop your own power management designs. Reference material supplied includes the board schematics and bill-of-materials (BOM).

Software and Licensing

In order to review or edit the reference design, you need Microsemi's Libero® System-on-Chip (SoC) software. This is not required to run the MPM demonstration but is needed only if you want to explore the source files. This can be downloaded from www.microsemi.com/soc and used by registering for your free Gold license.

The SmartFusion device uses an ARM® Cortex™-M3 processor. The application code and project are done using Microsemi's SoftConsole Eclipse based IDE. This can be installed as part of the Libero SoC install by selecting the SoftConsole option during the installation process. SoftConsole is used for programming and debug of embedded processor designs.

Software releases: www.microsemi.com/soc/download/software/libero

License Updates: <https://www.actel.com/portal/default.aspx?r=1>

Technical Support and Contacts

Technical support is available online at www.microsemi.com/soc/support and by email at soc_tech@microsemi.com.

Microsemi SoC Sales offices, including Representatives and Distributors, are located worldwide. To find your local representative visit www.microsemi.com/soc/company/contact.

Компания «Океан Электроники» предлагает заключение долгосрочных отношений при поставках импортных электронных компонентов на взаимовыгодных условиях!

Наши преимущества:

- Поставка оригинальных импортных электронных компонентов напрямую с производств Америки, Европы и Азии, а так же с крупнейших складов мира;
- Широкая линейка поставок активных и пассивных импортных электронных компонентов (более 30 млн. наименований);
- Поставка сложных, дефицитных, либо снятых с производства позиций;
- Оперативные сроки поставки под заказ (от 5 рабочих дней);
- Экспресс доставка в любую точку России;
- Помощь Конструкторского Отдела и консультации квалифицированных инженеров;
- Техническая поддержка проекта, помощь в подборе аналогов, поставка прототипов;
- Поставка электронных компонентов под контролем ВП;
- Система менеджмента качества сертифицирована по Международному стандарту ISO 9001;
- При необходимости вся продукция военного и аэрокосмического назначения проходит испытания и сертификацию в лаборатории (по согласованию с заказчиком);
- Поставка специализированных компонентов военного и аэрокосмического уровня качества (Xilinx, Altera, Analog Devices, Intersil, Interpoint, Microsemi, Actel, Aeroflex, Peregrine, VPT, Syfer, Eurofarad, Texas Instruments, MS Kennedy, Miteq, Cobham, E2V, MA-COM, Hittite, Mini-Circuits, General Dynamics и др.);

Компания «Океан Электроники» является официальным дистрибьютором и эксклюзивным представителем в России одного из крупнейших производителей разъемов военного и аэрокосмического назначения «JONHON», а так же официальным дистрибьютором и эксклюзивным представителем в России производителя высокотехнологичных и надежных решений для передачи СВЧ сигналов «FORSTAR».



JONHON

«JONHON» (основан в 1970 г.)

Разъемы специального, военного и аэрокосмического назначения:

(Применяются в военной, авиационной, аэрокосмической, морской, железнодорожной, горно- и нефтедобывающей отраслях промышленности)

«FORSTAR» (основан в 1998 г.)

ВЧ соединители, коаксиальные кабели, кабельные сборки и микроволновые компоненты:

(Применяются в телекоммуникациях гражданского и специального назначения, в средствах связи, РЛС, а так же военной, авиационной и аэрокосмической отраслях промышленности).



Телефон: 8 (812) 309-75-97 (многоканальный)

Факс: 8 (812) 320-03-32

Электронная почта: ocean@oceanchips.ru

Web: <http://oceanchips.ru/>

Адрес: 198099, г. Санкт-Петербург, ул. Калинина, д. 2, корп. 4, лит. А