



MICROCHIP

**ZENA™ Wireless Adapter
User's Guide**

Note the following details of the code protection feature on Microchip devices:

- Microchip products meet the specification contained in their particular Microchip Data Sheet.
- Microchip believes that its family of products is one of the most secure families of its kind on the market today, when used in the intended manner and under normal conditions.
- There are dishonest and possibly illegal methods used to breach the code protection feature. All of these methods, to our knowledge, require using the Microchip products in a manner outside the operating specifications contained in Microchip's Data Sheets. Most likely, the person doing so is engaged in theft of intellectual property.
- Microchip is willing to work with the customer who is concerned about the integrity of their code.
- Neither Microchip nor any other semiconductor manufacturer can guarantee the security of their code. Code protection does not mean that we are guaranteeing the product as "unbreakable."

Code protection is constantly evolving. We at Microchip are committed to continuously improving the code protection features of our products. Attempts to break Microchip's code protection feature may be a violation of the Digital Millennium Copyright Act. If such acts allow unauthorized access to your software or other copyrighted work, you may have a right to sue for relief under that Act.

Information contained in this publication regarding device applications and the like is provided only for your convenience and may be superseded by updates. It is your responsibility to ensure that your application meets with your specifications. MICROCHIP MAKES NO REPRESENTATIONS OR WARRANTIES OF ANY KIND WHETHER EXPRESS OR IMPLIED, WRITTEN OR ORAL, STATUTORY OR OTHERWISE, RELATED TO THE INFORMATION, INCLUDING BUT NOT LIMITED TO ITS CONDITION, QUALITY, PERFORMANCE, MERCHANTABILITY OR FITNESS FOR PURPOSE. Microchip disclaims all liability arising from this information and its use. Use of Microchip devices in life support and/or safety applications is entirely at the buyer's risk, and the buyer agrees to defend, indemnify and hold harmless Microchip from any and all damages, claims, suits, or expenses resulting from such use. No licenses are conveyed, implicitly or otherwise, under any Microchip intellectual property rights.

Trademarks

The Microchip name and logo, the Microchip logo, dsPIC, KEELOQ, KEELOQ logo, MPLAB, PIC, PICmicro, PICSTART, PIC³² logo, rfPIC and UNI/O are registered trademarks of Microchip Technology Incorporated in the U.S.A. and other countries.


FilterLab, Hampshire, HI-TECH C, Linear Active Thermistor, MXDEV, MXLAB, SEEVAL and The Embedded Control Solutions Company are registered trademarks of Microchip Technology Incorporated in the U.S.A.

Analog-for-the-Digital Age, Application Maestro, chipKIT, chipKIT logo, CodeGuard, dsPICDEM, dsPICDEM.net, dsPICworks, dsSPEAK, ECAN, ECONOMONITOR, FanSense, HI-TIDE, In-Circuit Serial Programming, ICSP, Mindi, MiWi, MPASM, MPLAB Certified logo, MPLIB, MPLINK, mTouch, Omniscent Code Generation, PICC, PICC-18, PICDEM, PICDEM.net, PICKit, PICtail, REAL ICE, rfLAB, Select Mode, Total Endurance, TSHARC, UniWinDriver, WiperLock and ZENA are trademarks of Microchip Technology Incorporated in the U.S.A. and other countries.

SQTP is a service mark of Microchip Technology Incorporated in the U.S.A.

All other trademarks mentioned herein are property of their respective companies.

© 2011, Microchip Technology Incorporated, Printed in the U.S.A., All Rights Reserved.

 Printed on recycled paper.

ISBN: 978-1-61341-242-8

Microchip received ISO/TS-16949:2002 certification for its worldwide headquarters, design and wafer fabrication facilities in Chandler and Tempe, Arizona; Gresham, Oregon and design centers in California and India. The Company's quality system processes and procedures are for its PIC[®] MCUs and dsPIC[®] DSCs, KEELOQ[®] code hopping devices, Serial EEPROMs, microperipherals, nonvolatile memory and analog products. In addition, Microchip's quality system for the design and manufacture of development systems is ISO 9001:2000 certified.

QUALITY MANAGEMENT SYSTEM
CERTIFIED BY DNV
== ISO/TS 16949:2009 ==



ZENA™ WIRELESS ADAPTER USER'S GUIDE

Table of Contents

Preface	5
Chapter 1. Overview	
1.1 Introduction	9
1.2 ZENA Wireless Adapter Package Contents	9
1.3 ZENA Wireless Adapter Description	9
Chapter 2. Getting Started	
2.1 Introduction	11
2.2 Installation	11
2.3 Using ZENA Wireless Adapter with the Wireless Development Studio	14
Appendix A. ZENA™ Wireless Adapter Construction Details	
A.1 Introduction	15
A.2 ZENA Wireless Adapter Schematic	15
A.3 ZENA Wireless Adapter PCB Layout	18
A.4 ZENA Wireless Adapter Bill of Materials	22
Worldwide Sales and Service	23

ZENA™ Wireless Adapter User's Guide

NOTES:



ZENA™ WIRELESS ADAPTER USER'S GUIDE

Preface

NOTICE TO CUSTOMERS

All documentation becomes dated, and this manual is no exception. Microchip tools and documentation are constantly evolving to meet customer needs, so some actual dialogs and/or tool descriptions may differ from those in this document. Please refer to our web site (www.microchip.com) to obtain the latest documentation available.

Documents are identified with a “DS” number. This number is located on the bottom of each page, in front of the page number. The numbering convention for the DS number is “DSXXXXA”, where “XXXX” is the document number and “A” is the revision level of the document.

For the most up-to-date information on development tools, see the MPLAB® IDE on-line help. Select the Help menu, and then Topics to open a list of available on-line help files.

INTRODUCTION

This chapter contains general information that will be useful to know before using the ZENA™ Wireless Adapter. Items discussed in this chapter include:

- [Document Layout](#)
- [Conventions Used in this Guide](#)
- [Warranty Registration](#)
- [Recommended Reading](#)
- [The Microchip Web Site](#)
- [Development Systems Customer Change Notification Service](#)
- [Customer Support](#)
- [Document Revision History](#)

DOCUMENT LAYOUT

This document describes how to use the ZENA™ Wireless Adapter. The manual layout is as follows:

- **Chapter 1. “Overview”** – This chapter provides a brief overview of the ZENA Wireless Adapter, including kits contents and features.
- **Chapter 2. “Getting Started”** – This chapter describes how to start using your ZENA™ Wireless Adapter.
- **Appendix A. “ZENA™ Wireless Adapter Construction Details”** – This appendix contains the schematics, PCB layout and bill of materials.

ZENA™ Wireless Adapter User's Guide

CONVENTIONS USED IN THIS GUIDE

This manual uses the following documentation conventions:

DOCUMENTATION CONVENTIONS

Description	Represents	Examples
Arial font:		
Italic characters	Referenced books	<i>MPLAB® IDE User's Guide</i>
	Emphasized text	...is the <i>only</i> compiler...
Initial caps	A window	the Output window
	A dialog	the Settings dialog
	A menu selection	select Enable Programmer
Quotes	A field name in a window or dialog	"Save project before build"
Underlined, italic text with right angle bracket	A menu path	<u><i>File>Save</i></u>
Bold characters	A dialog button	Click OK
	A tab	Click the Power tab
N'Rnnnn	A number in verilog format, where N is the total number of digits, R is the radix and n is a digit.	4'b0010, 2'hF1
Text in angle brackets < >	A key on the keyboard	Press <Enter>, <F1>
Courier New font:		
Plain Courier New	Sample source code	#define START
	Filenames	autoexec.bat
	File paths	c:\mcc18\h
	Keywords	_asm, _endasm, static
	Command-line options	-Opa+, -Opa-
	Bit values	0, 1
	Constants	0xFF, 'A'
Italic Courier New	A variable argument	<i>file.o</i> , where <i>file</i> can be any valid filename
Square brackets []	Optional arguments	mcc18 [options] <i>file</i> [options]
Curly brackets and pipe character: { }	Choice of mutually exclusive arguments; an OR selection	errorlevel {0 1}
Ellipses...	Replaces repeated text	var_name [, var_name...]
	Represents code supplied by user	void main (void) { ... }

WARRANTY REGISTRATION

Please complete the enclosed Warranty Registration Card and mail it promptly. Sending in the Warranty Registration Card entitles users to receive new product updates. Interim software releases are available at the Microchip web site.

RECOMMENDED READING

This user's guide describes how to use the ZENA Wireless Adapter. The following Microchip documents are available from the Microchip web site (www.microchip.com), and are recommended as supplemental reference resources.

MRF24J40MA 2.4 GHz IEEE Std. 802.15.4 RF Transceiver Module (DS70329)

PIC18F46J50 USB Microcontroller Data Sheet (DS39931)

MCP1700 Low Quiescent Current LDO (DS21826)

25LC256 256K SPI Bus Serial EEPROM (DS21822)

2K SPI Bus Serial EEPROM with EUI-48™ Node Identity Data Sheet (DS22123)

THE MICROCHIP WEB SITE

Microchip provides online support via our web site at www.microchip.com. This web site is used as a means to make files and information easily available to customers. Accessible by using your favorite Internet browser, the web site contains the following information:

- **Product Support** – Data sheets and errata, application notes and sample programs, design resources, user's guides and hardware support documents, latest software releases and archived software
- **General Technical Support** – Frequently Asked Questions (FAQs), technical support requests, online discussion groups, Microchip consultant program member listing
- **Business of Microchip** – Product selector and ordering guides, latest Microchip press releases, listing of seminars and events, listings of Microchip sales offices, distributors and factory representatives

ZENA™ Wireless Adapter User's Guide

DEVELOPMENT SYSTEMS CUSTOMER CHANGE NOTIFICATION SERVICE

Microchip's customer notification service helps keep customers current on Microchip products. Subscribers will receive e-mail notification whenever there are changes, updates, revisions or errata related to a specified product family or development tool of interest.

To register, access the Microchip web site at www.microchip.com, click on Customer Change Notification and follow the registration instructions.

The Development Systems product group categories are:

- **Compilers** – The latest information on Microchip C compilers and other language tools. These include the MPLAB C18 and MPLAB C30 C compilers; MPASM™ and MPLAB ASM30 assemblers; MPLINK™ and MPLAB LINK30 object linkers; and MPLIB™ and MPLAB LIB30 object librarians.
- **Emulators** – The latest information on Microchip in-circuit emulators. This includes the MPLAB ICE 2000 and MPLAB ICE 4000.
- **In-Circuit Debuggers** – The latest information on the Microchip in-circuit debugger, MPLAB ICD 2.
- **MPLAB® IDE** – The latest information on Microchip MPLAB IDE, the Windows® Integrated Development Environment for development systems tools. This list is focused on the MPLAB IDE, MPLAB SIM simulator, MPLAB IDE Project Manager and general editing and debugging features.
- **Programmers** – The latest information on Microchip programmers. These include the MPLAB PM3 and PRO MATE® II device programmers and the PICSTART® Plus and PICKit™ 1 development programmers.

CUSTOMER SUPPORT

Users of Microchip products can receive assistance through several channels:

- Distributor or Representative
- Local Sales Office
- Field Application Engineer (FAE)
- Technical Support

Customers should contact their distributor, representative or field application engineer (FAE) for support. Local sales offices are also available to help customers. A listing of sales offices and locations is included in the back of this document.

Technical support is available through the web site at: <http://support.microchip.com>

DOCUMENT REVISION HISTORY

Revision A (June 2011)

- This is the initial Release of the Document.

Chapter 1. Overview

1.1 INTRODUCTION

The ZENA Wireless Adapter is a multi-function USB wireless adapter connecting USB-equipped desktop or notebook computers with Microchip wireless products for development or application uses. As a development tool, the ZENA Wireless Adapter can be used as a protocol analyzer or as a diagnostic tool. It can also be used to connect the computer as a wireless node to the network for application uses. The ZENA Wireless Adapter is capable of performing a variety of functions and each function can be programmed into the adapter using the built in USB boot loader.

Additional software and firmware updates can be downloaded from the Microchip website: <http://www.microchip.com/zena>.

This chapter discusses:

- ZENA Wireless Adapter Package Contents
- ZENA Wireless Adapter Description

1.2 ZENA WIRELESS ADAPTER PACKAGE CONTENTS

Depending on the frequency and device type ZENA Wireless Adapter ordered, the package may contain one of the following listed in [Table 1-1](#).

TABLE 1-1: ZENA™ WIRELESS ADAPTER

Description	Part Number
ZENA Wireless Adapter – 2.4 GHz MRF24J40	AC182015-1

1.3 ZENA WIRELESS ADAPTER DESCRIPTION

The ZENA Wireless Adapter is shown in [Figure 1-1](#).

FIGURE 1-1: ZENA™ WIRELESS ADAPTER



The ZENA Wireless Adapter plugs into the computers USB slot either directly or using an extension cable. The LED indicates operation status.

1.4 REGULATORY STATEMENTS

1.4.1 United States

This device complies with Part 15 of the FCC Rules. Operation is subject to the following two conditions: (1) this device may not cause harmful interference, and (2) this device must accept any interference received, including interference that may cause undesired operation.

This equipment has been tested and found to comply with the limits for a Class B digital device, pursuant to part 15 of the FCC Rules. These limits are designed to provide reasonable protection against harmful interference in a residential installation. This equipment generates, uses and can radiate radio frequency energy, and if not installed and used in accordance with the instructions, may cause harmful interference to radio communications. However, there is no guarantee that interference will not occur in a particular installation. If this equipment does cause harmful interference to radio or television reception, which can be determined by turning the equipment OFF and ON, the user is encouraged to try to correct the interference by one or more of the following measures:

- Reorient or relocate the receiving antenna.
- Increase the separation between the equipment and receiver.
- Connect the equipment into an outlet on a circuit different from that to which the receiver is connected.
- Consult the dealer or an experienced radio/TV technician for help.

1.4.2 Canada

This device complies with Industry Canada license-exempt RSS standard(s). Operation is subject to the following two conditions: (1) this device may not cause interference, and (2) this device must accept any interference, including interference that may cause undesired operation of the device.

Le présent appareil est conforme aux CNR d'Industrie Canada applicables aux appareils radio exempts de licence. L'exploitation est autorisée aux deux conditions suivantes: (1) l'appareil ne doit pas produire de brouillage, et (2) l'utilisateur de l'appareil doit accepter tout brouillage radioélectrique subi, même si le brouillage est susceptible d'en compromettre le fonctionnement.



ZENA™ WIRELESS ADAPTER USER'S GUIDE

Chapter 2. Getting Started

2.1 INTRODUCTION

The ZENA Wireless Adapter is a flexible, multipurpose device. Firmware applications can be updated from a computer application program such as the Wireless Development Studio.

The ZENA Wireless Adapter is preprogrammed with a MiWi™ Wireless Protocol Sniffer application. This allows the user to display MiWi Wireless Protocol packets in a graphical format in the Wireless Development Studio.

ZENA Wireless Adapter software and firmware updates can be downloaded from the Microchip website <http://www.microchip.com/zena>.

2.2 INSTALLATION

2.2.1 Installing the Wireless Development Studio

The Wireless Development Studio can be downloaded from the Microchip website: <http://www.microchip.com/wds>. Install the program following the installation instructions that come with the package.

2.2.2 Installing USB Drivers

The ZENA Wireless Adapter has been designed to communicate with the Microchip MPLABComm driver which is based on the libusb-win32 (for Windows) and libusb (for Mac and Linux operating systems) libraries. The USB Drivers come with the Wireless Development Studio. To install the USB drivers, follow the sections below for the operating system of choice.

Note: If MPLAB X is installed, the required USB drivers may already be installed.

ZENA™ Wireless Adapter User's Guide

2.2.2.1 INSTALLING THE USB DRIVER FOR WINDOWS® 2000/XP/VISTA/7 OSs

To Install the USB Driver for windows, perform the following tasks:

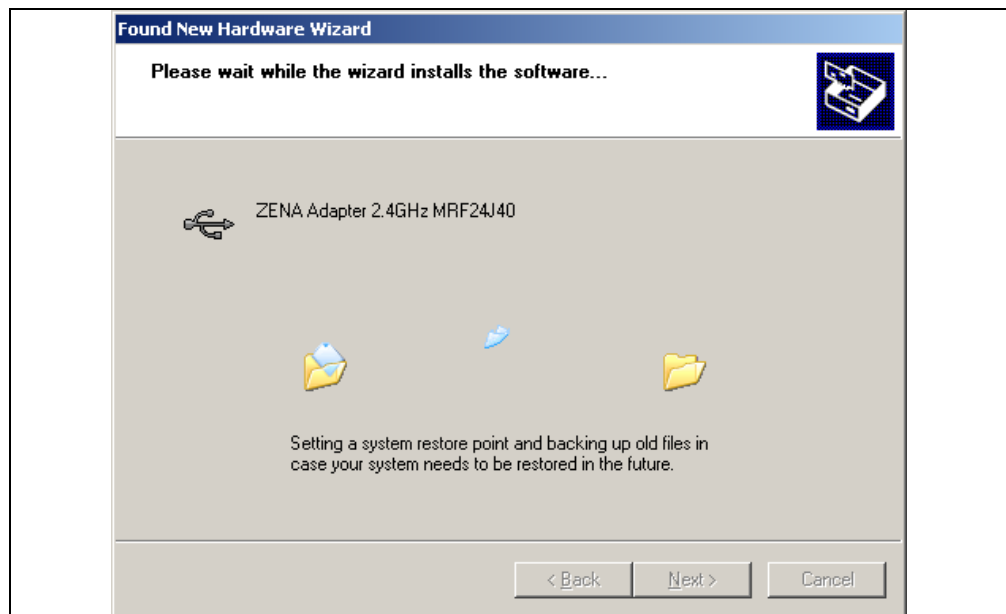
1. Plug in the ZENA Wireless Adapter into a USB port. Windows will prompt for a hardware installation as shown in [Figure 2-1](#).

FIGURE 2-1: FOUND NEW HARDWARE WIZARD WINDOW



2. Select *Install the software automatically (Recommended)* and then click *Next*. Windows will search and install the driver automatically as shown in [Figure 2-2](#).

FIGURE 2-2: INSTALLING THE DRIVER

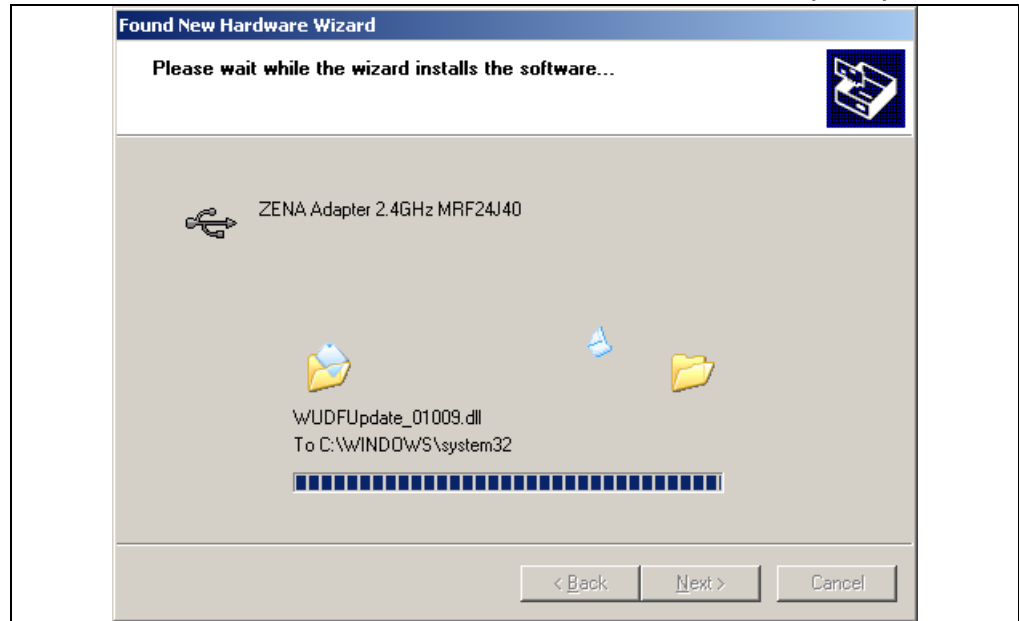


3. If Windows is unable to find the hardware for the device then click *Back* and select the option *Install from a list or specific location (Advanced)*.

The driver is located in the `Wireless Development Studio\Driver\Inf\` folder.

4. After installing the driver, Windows prompts the following DLLs: WinUSBCoInstaller2.dll, WdfCoInstaller01009.dll and WUDFUpdate_01009.dll as shown in [Figure 2-3](#).
 - If installing in a Windows 32 bit system, point the folder location to "C:\Windows\system32"
 - If installing in a Windows 64-bit system, point the folder location to "C:\Windows\SysWOW64".

FIGURE 2-3: INSTALLING DYNAMIC LINKED LIBRARIES (DLLs)



5. After installing the driver and DLLs, the *Completing the Found New Hardware Wizard* appears on the screen as shown in [Figure 2-4](#).
6. Click *Finish* to complete the installation.

FIGURE 2-4: COMPLETING THE FOUND NEW HARDWARE WIZARD



ZENA™ Wireless Adapter User's Guide

2.2.2.2 INSTALLING THE USB DRIVER FOR MAC OR LINUX OSs

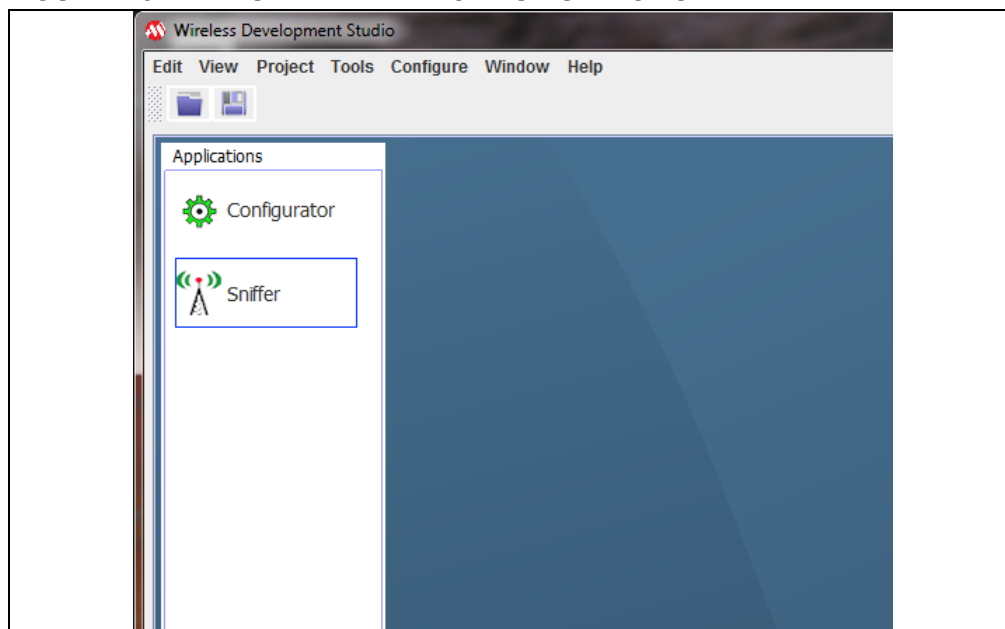
The ZENA Wireless Adapter uses the libUSB drivers. When installing the USB drivers on a Mac or Linux computer, the installer will place the USB drivers in the proper location.

2.3 USING ZENA WIRELESS ADAPTER WITH THE WIRELESS DEVELOPMENT STUDIO

To use the ZENA Wireless Adapter with the Wireless Development Studio, it must first be selected as the source device by performing the following tasks:

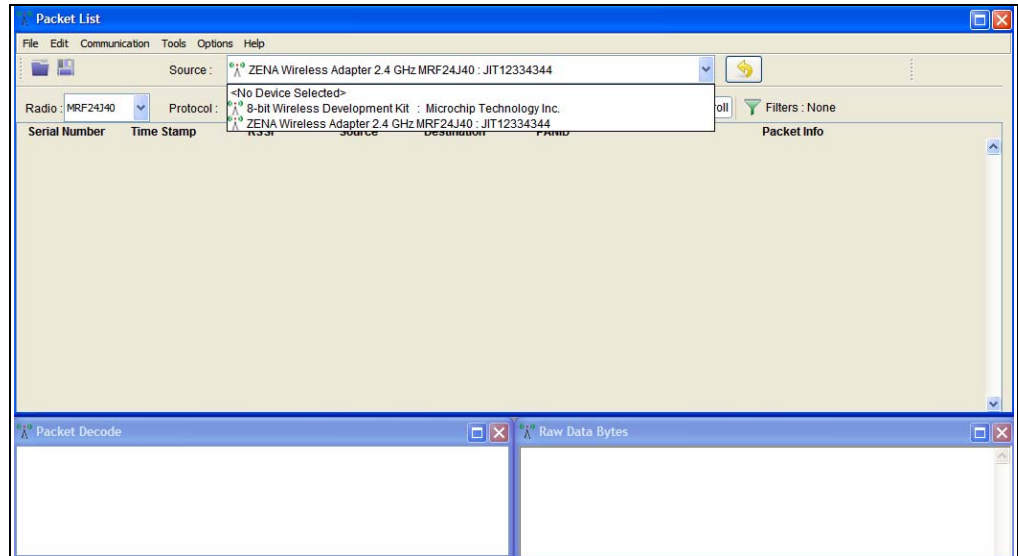
1. From the main window, select Sniffer as the active application, see [Figure 2-5](#). The Packet List window will appear.

FIGURE 2-5: SNIFFER APPLICATION SELECTION



- From the Packet List window, select ZENA Wireless Adapter from the Source drop-down box, see [Figure 2-6](#).

FIGURE 2-6: WIRELESS DEVELOPMENT STUDIO SOURCE SELECTION



Note: If multiple ZENA Wireless Adapters are plugged in, they can be individually chosen by serial number.

For more information on running the Wireless Development Studio, see the Wireless Development Studio help.

ZENA™ Wireless Adapter User's Guide

NOTES:



ZENA™ WIRELESS ADAPTER USER'S GUIDE

Appendix A. ZENA™ Wireless Adapter Construction Details

A.1 INTRODUCTION

This appendix provides the ZENA™ Wireless Adapter schematics, PCB layout and Bill of Materials (BOM).

A.2 ZENA WIRELESS ADAPTER SCHEMATIC

[Figure A-1](#) and [Figure A-2](#) illustrates the ZENA Wireless Adapter Schematics

FIGURE A-1: ZENA™ WIRELESS ADAPTER SCHEMATIC

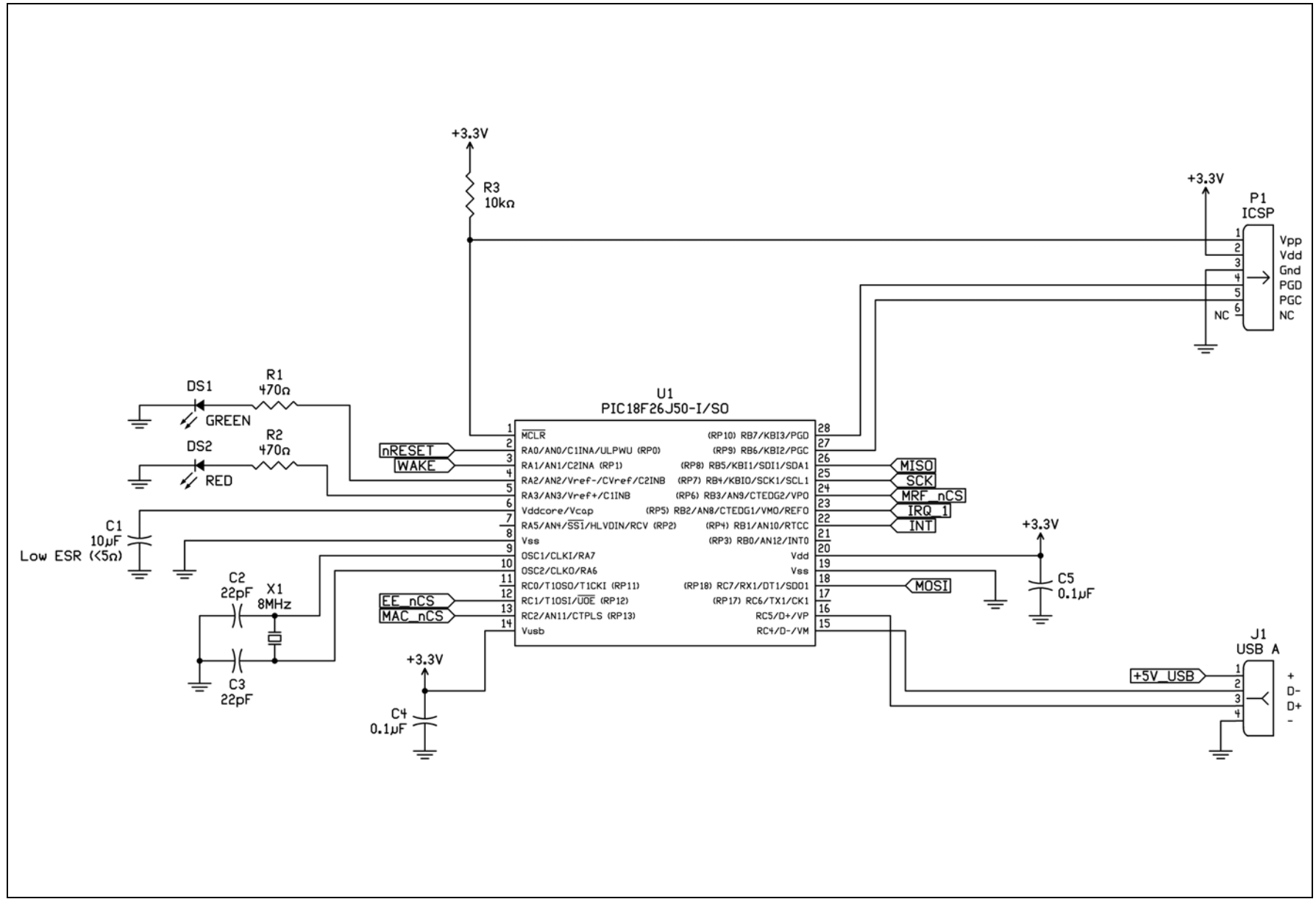
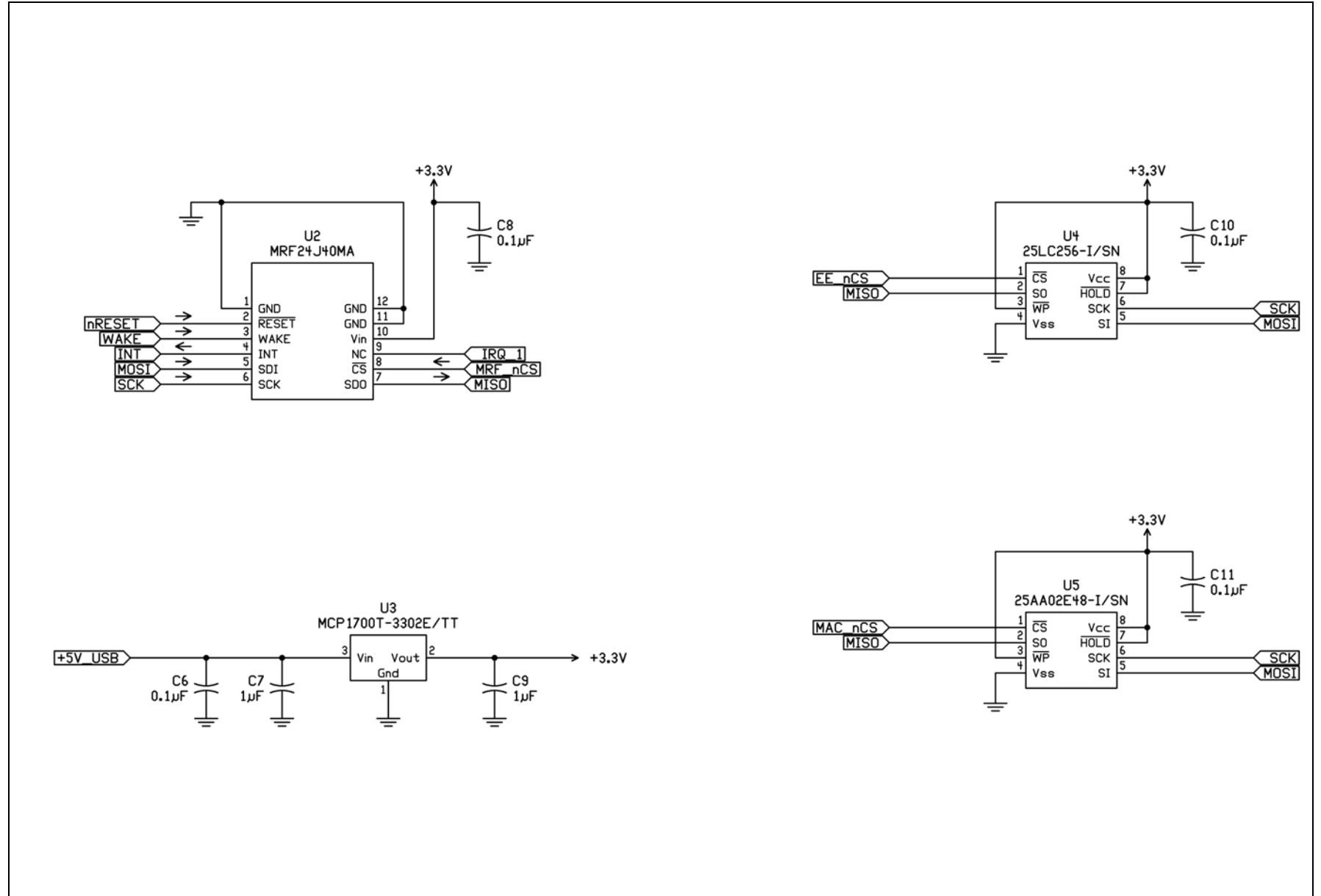


FIGURE A-2: ZENA™ WIRELESS ADAPTER SCHEMATIC

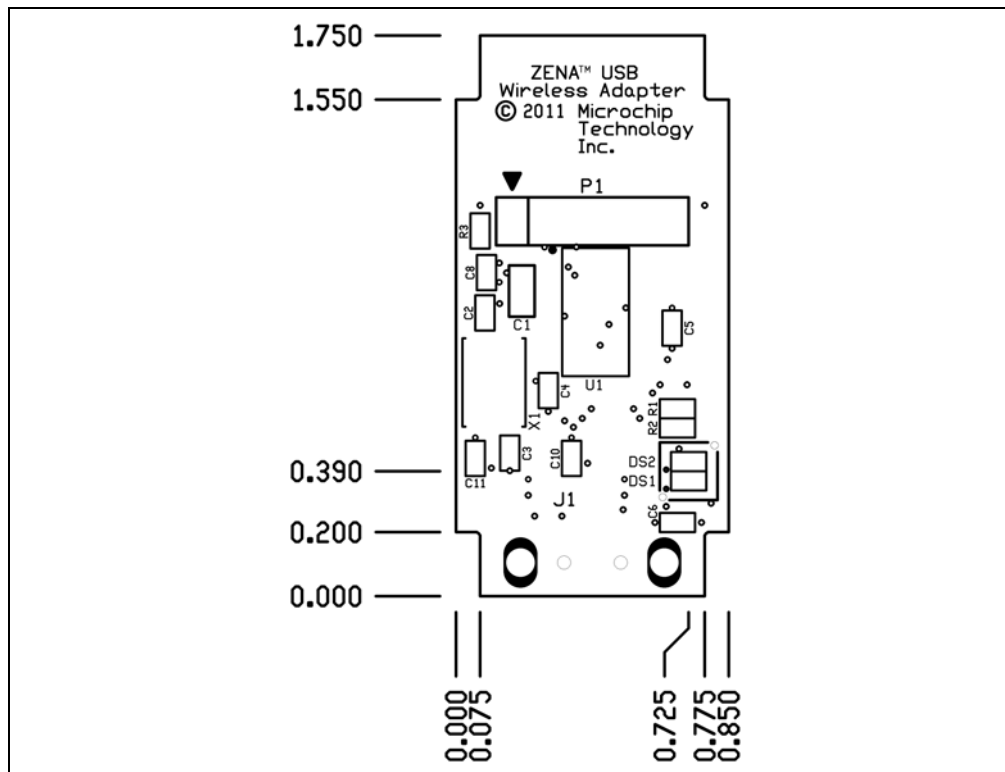


ZENA™ Wireless Adapter User's Guide

A.3 ZENA WIRELESS ADAPTER PCB LAYOUT

The ZENA Wireless Adapter PCB is a 4-layer, high temperature FR4, 0.031 inch, plated through hole construction. [Figure A-3](#) through [Figure A-8](#) show the PCB layers. [Figure A-3](#) illustrates the ZENA Wireless Adapter top silk screen

FIGURE A-3: TOP SILKSCREEN



ZENA™ Wireless Adapter Construction Details

Figure A-4 illustrates the ZENA Wireless Adapter top copper.

FIGURE A-4: LAYER 1 — TOP COPPER

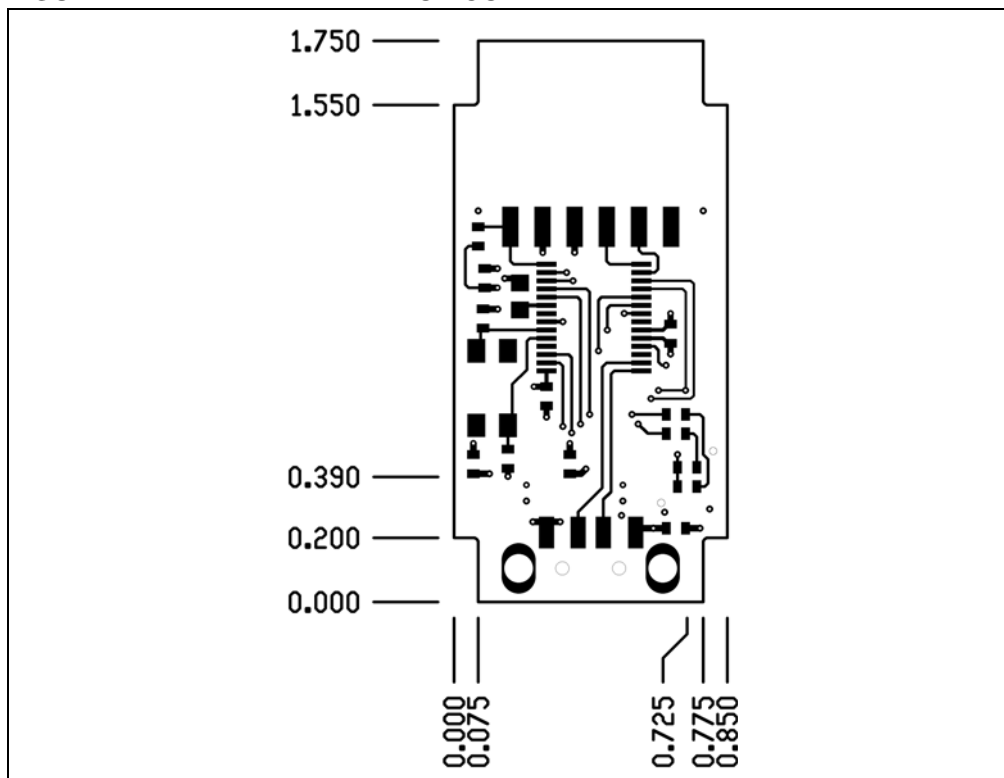
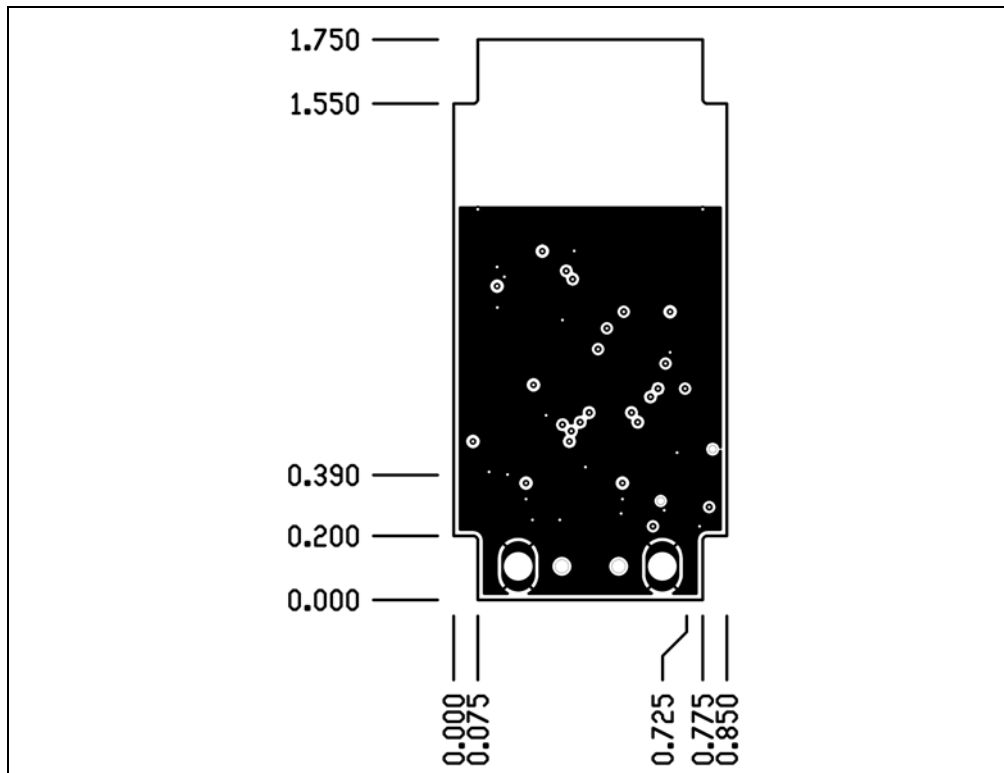


Figure A-5 illustrates the ZENA Wireless Adapter Ground Plane.

FIGURE A-5: LAYER 2 — GROUND PLANE



ZENA™ Wireless Adapter User's Guide

Figure A-6 illustrates the ZENA Wireless Adapter Power Plane.

FIGURE A-6: LAYER 3 — POWER PLANE

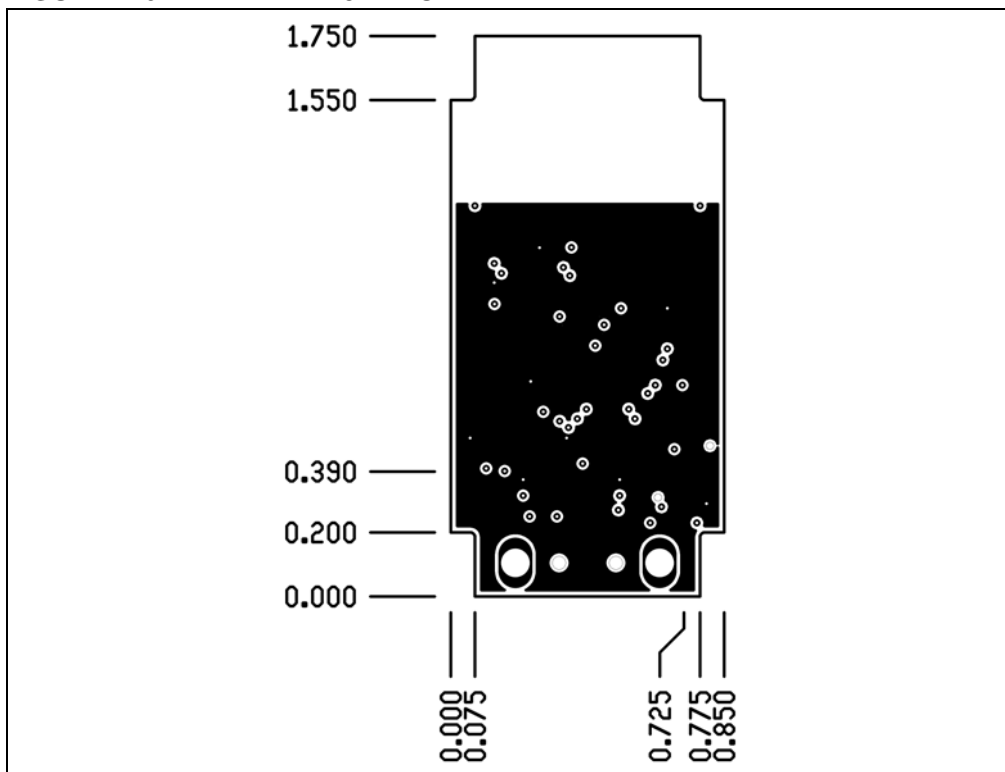
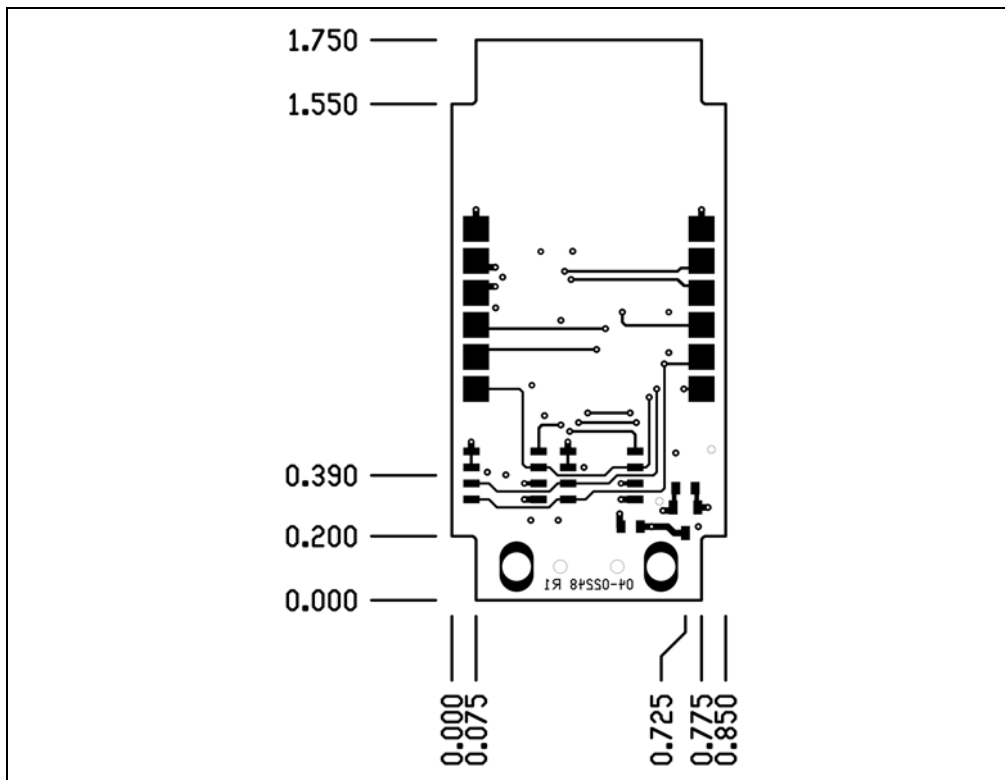


Figure A-7 illustrates the ZENA Wireless Adapter bottom copper.

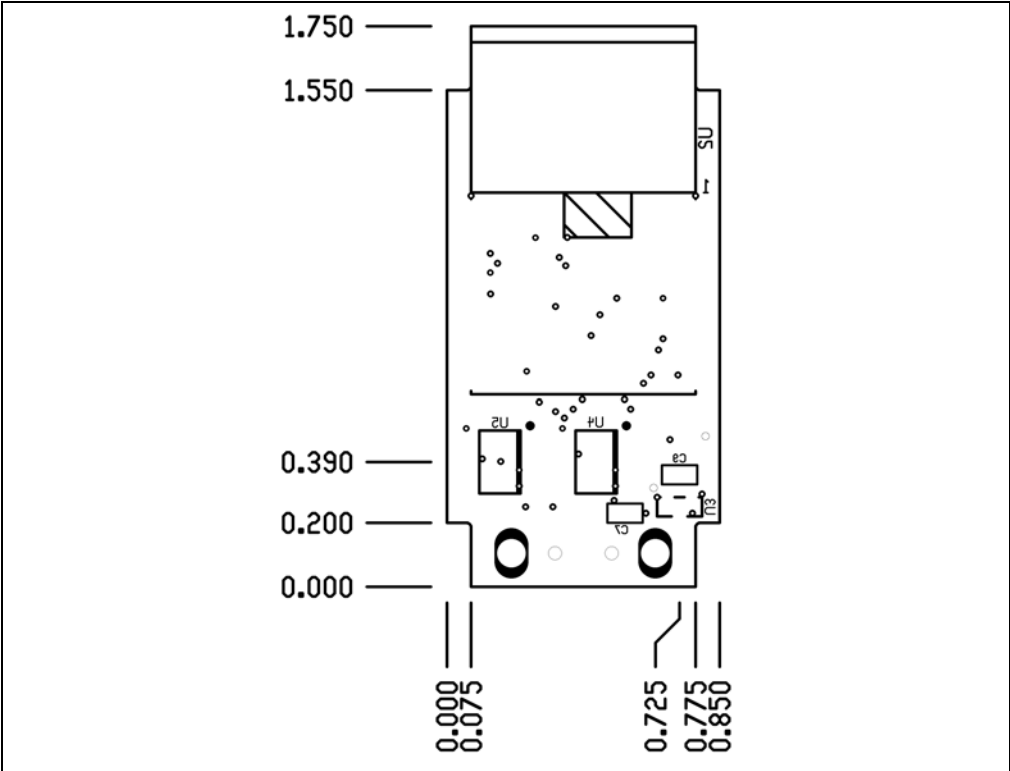
FIGURE A-7: LAYER 4 — BOTTOM COPPER



ZENA™ Wireless Adapter Construction Details

Figure A-8 illustrates the ZENA Wireless Adapter bottom silkscreen.

FIGURE A-8: BOTTOM SILKSCREEN



ZENA™ Wireless Adapter User's Guide

A.4 ZENA WIRELESS ADAPTER BILL OF MATERIALS

Table A-1 provides a detailed description of the ZENA Wireless Adapter Bill of Materials (BOM).

TABLE A-1: BILL OF MATERIALS

Qty	Designator	Value	Description	Manufacturer	Manufacturer Part Number
2	C2, C3	22 pF	Capacitor, Ceramic, SMT 0603	Murata Electronics North America	GRM1885C1H220JA01D
6	C4, C5, C6, C8, C10, C11	0.1 µF	Capacitor, Ceramic, 16V, ±10%, X7R, SMT 0603	Murata Electronics North America	GRM188R71C104KA01D
2	C7, C9	1 µF	Capacitor, Ceramic, 6.3V, ±10%, X5R, SMT 0603	Murata Electronics North America	GRM188R60J105KA01D
1	C1	10 µF	Capacitor, Ceramic, 6.3V, ±20%, X5R, SMT 0805	Murata Electronics North America	GRM21BR60J106ME19L
1	DS1	Green	Diode, Light Emitting, Green	OSRAM	LG Q971-KN-1-0-20-R18
1	DS2	Red	Diode, Light Emitting, Red	OSRAM	LS Q976-NR-1-0-20-R18
1	J1	—	Connector, Plug USB 4Pos RT Ang SMD	Molex	480371000
2	R1, R2	470 ohms	Resistor, Thin Film File, SMT 0603	Stackpole Electronics	RMCF0603JT470R
1	R3	10K ohms	Resistor, Thin Film File, SMT 0603	Stackpole Electronics	RMCF0603JT10K0
1	U1	—	PIC18F26J50-I/SS	Microchip Technology	PIC18F26J50-I/SS
1	U2	—	MRF24J40MA	Microchip Technology	MRF24J40MA-I/RM
1	U3	—	MCP1700T-3302E	Microchip Technology	MCP1700T-3302E/TT
1	U4	—	25LC256-I/SN	Microchip Technology	25LC256-I/SN
1	U5	—	25AA02E48-I/SN	Microchip Technology	25AA02E48-I/SN
1	X1	8 MHz	Crystal, SMT, 8 MHz	Abracon	ABMM-8.000MHZ-B2-T
1	@DS1 and DS2	—	Light Pipe, Vertical, 0.300" round	Bivar Inc.	VLP-300-R
1	Enclosure	—	Enclosure, USB Device,	New Age Enclosures	P-201005



MICROCHIP

Worldwide Sales and Service

AMERICAS

Corporate Office
2355 West Chandler Blvd.
Chandler, AZ 85224-6199
Tel: 480-792-7200
Fax: 480-792-7277
Technical Support:
<http://www.microchip.com/support>
Web Address:
www.microchip.com

Atlanta
Duluth, GA
Tel: 678-957-9614
Fax: 678-957-1455

Boston
Westborough, MA
Tel: 774-760-0087
Fax: 774-760-0088

Chicago
Itasca, IL
Tel: 630-285-0071
Fax: 630-285-0075

Cleveland
Independence, OH
Tel: 216-447-0464
Fax: 216-447-0643

Dallas
Addison, TX
Tel: 972-818-7423
Fax: 972-818-2924

Detroit
Farmington Hills, MI
Tel: 248-538-2250
Fax: 248-538-2260

Indianapolis
Noblesville, IN
Tel: 317-773-8323
Fax: 317-773-5453

Los Angeles
Mission Viejo, CA
Tel: 949-462-9523
Fax: 949-462-9608

Santa Clara
Santa Clara, CA
Tel: 408-961-6444
Fax: 408-961-6445

Toronto
Mississauga, Ontario,
Canada
Tel: 905-673-0699
Fax: 905-673-6509

ASIA/PACIFIC

Asia Pacific Office
Suites 3707-14, 37th Floor
Tower 6, The Gateway
Harbour City, Kowloon
Hong Kong
Tel: 852-2401-1200
Fax: 852-2401-3431

Australia - Sydney
Tel: 61-2-9868-6733
Fax: 61-2-9868-6755

China - Beijing
Tel: 86-10-8569-7000
Fax: 86-10-8528-2104

China - Chengdu
Tel: 86-28-8665-5511
Fax: 86-28-8665-7889

China - Chongqing
Tel: 86-23-8980-9588
Fax: 86-23-8980-9500

China - Hangzhou
Tel: 86-571-2819-3180
Fax: 86-571-2819-3189

China - Hong Kong SAR
Tel: 852-2401-1200
Fax: 852-2401-3431

China - Nanjing
Tel: 86-25-8473-2460
Fax: 86-25-8473-2470

China - Qingdao
Tel: 86-532-8502-7355
Fax: 86-532-8502-7205

China - Shanghai
Tel: 86-21-5407-5533
Fax: 86-21-5407-5066

China - Shenyang
Tel: 86-24-2334-2829
Fax: 86-24-2334-2393

China - Shenzhen
Tel: 86-755-8203-2660
Fax: 86-755-8203-1760

China - Wuhan
Tel: 86-27-5980-5300
Fax: 86-27-5980-5118

China - Xian
Tel: 86-29-8833-7252
Fax: 86-29-8833-7256

China - Xiamen
Tel: 86-592-2388138
Fax: 86-592-2388130

China - Zhuhai
Tel: 86-756-3210040
Fax: 86-756-3210049

ASIA/PACIFIC

India - Bangalore
Tel: 91-80-3090-4444
Fax: 91-80-3090-4123

India - New Delhi
Tel: 91-11-4160-8631
Fax: 91-11-4160-8632

India - Pune
Tel: 91-20-2566-1512
Fax: 91-20-2566-1513

Japan - Yokohama
Tel: 81-45-471- 6166
Fax: 81-45-471-6122

Korea - Daegu
Tel: 82-53-744-4301
Fax: 82-53-744-4302

Korea - Seoul
Tel: 82-2-554-7200
Fax: 82-2-558-5932 or
82-2-558-5934

Malaysia - Kuala Lumpur
Tel: 60-3-6201-9857
Fax: 60-3-6201-9859

Malaysia - Penang
Tel: 60-4-227-8870
Fax: 60-4-227-4068

Philippines - Manila
Tel: 63-2-634-9065
Fax: 63-2-634-9069

Singapore
Tel: 65-6334-8870
Fax: 65-6334-8850

Taiwan - Hsin Chu
Tel: 886-3-6578-300
Fax: 886-3-6578-370

Taiwan - Kaohsiung
Tel: 886-7-213-7830
Fax: 886-7-330-9305

Taiwan - Taipei
Tel: 886-2-2500-6610
Fax: 886-2-2508-0102

Thailand - Bangkok
Tel: 66-2-694-1351
Fax: 66-2-694-1350

EUROPE

Austria - Wels
Tel: 43-7242-2244-39
Fax: 43-7242-2244-393

Denmark - Copenhagen
Tel: 45-4450-2828
Fax: 45-4485-2829

France - Paris
Tel: 33-1-69-53-63-20
Fax: 33-1-69-30-90-79

Germany - Munich
Tel: 49-89-627-144-0
Fax: 49-89-627-144-44

Italy - Milan
Tel: 39-0331-742611
Fax: 39-0331-466781

Netherlands - Drunen
Tel: 31-416-690399
Fax: 31-416-690340

Spain - Madrid
Tel: 34-91-708-08-90
Fax: 34-91-708-08-91

UK - Wokingham
Tel: 44-118-921-5869
Fax: 44-118-921-5820

05/02/11

Компания «Океан Электроники» предлагает заключение долгосрочных отношений при поставках импортных электронных компонентов на взаимовыгодных условиях!

Наши преимущества:

- Поставка оригинальных импортных электронных компонентов напрямую с производств Америки, Европы и Азии, а так же с крупнейших складов мира;
- Широкая линейка поставок активных и пассивных импортных электронных компонентов (более 30 млн. наименований);
- Поставка сложных, дефицитных, либо снятых с производства позиций;
- Оперативные сроки поставки под заказ (от 5 рабочих дней);
- Экспресс доставка в любую точку России;
- Помощь Конструкторского Отдела и консультации квалифицированных инженеров;
- Техническая поддержка проекта, помощь в подборе аналогов, поставка прототипов;
- Поставка электронных компонентов под контролем ВП;
- Система менеджмента качества сертифицирована по Международному стандарту ISO 9001;
- При необходимости вся продукция военного и аэрокосмического назначения проходит испытания и сертификацию в лаборатории (по согласованию с заказчиком);
- Поставка специализированных компонентов военного и аэрокосмического уровня качества (Xilinx, Altera, Analog Devices, Intersil, Interpoint, Microsemi, Actel, Aeroflex, Peregrine, VPT, Syfer, Eurofarad, Texas Instruments, MS Kennedy, Miteq, Cobham, E2V, MA-COM, Hittite, Mini-Circuits, General Dynamics и др.);

Компания «Океан Электроники» является официальным дистрибьютором и эксклюзивным представителем в России одного из крупнейших производителей разъемов военного и аэрокосмического назначения «JONHON», а так же официальным дистрибьютором и эксклюзивным представителем в России производителя высокотехнологичных и надежных решений для передачи СВЧ сигналов «FORSTAR».



JONHON

«JONHON» (основан в 1970 г.)

Разъемы специального, военного и аэрокосмического назначения:

(Применяются в военной, авиационной, аэрокосмической, морской, железнодорожной, горно- и нефтедобывающей отраслях промышленности)

«FORSTAR» (основан в 1998 г.)

ВЧ соединители, коаксиальные кабели, кабельные сборки и микроволновые компоненты:

(Применяются в телекоммуникациях гражданского и специального назначения, в средствах связи, РЛС, а так же военной, авиационной и аэрокосмической отраслях промышленности).



Телефон: 8 (812) 309-75-97 (многоканальный)

Факс: 8 (812) 320-03-32

Электронная почта: ocean@oceanchips.ru

Web: <http://oceanchips.ru/>

Адрес: 198099, г. Санкт-Петербург, ул. Калинина, д. 2, корп. 4, лит. А