

# MC14521B

## 24-Stage Frequency Divider

The MC14521B consists of a chain of 24 flip-flops with an input circuit that allows three modes of operation. The input will function as a crystal oscillator, an RC oscillator, or as an input buffer for an external oscillator. Each flip-flop divides the frequency of the previous flip-flop by two, consequently this part will count up to  $2^{24} = 16,777,216$ . The count advances on the negative going edge of the clock. The outputs of the last seven-stages are available for added flexibility.

### Features

- All Stages are Resettable
- Reset Disables the RC Oscillator for Low Standby Power Drain
- RC and Crystal Oscillator Outputs Are Capable of Driving External Loads
- Test Mode to Reduce Test Time
- $V_{DD}'$  and  $V_{SS}'$  Pins Brought Out on Crystal Oscillator Inverter to Allow the Connection of External Resistors for Low-Power Operation
- Supply Voltage Range = 3.0 Vdc to 18 Vdc
- Capable of Driving Two Low-Power TTL Loads or One Low-Power Schottky TTL Load over the Rated Temperature Range
- These Devices are Pb-Free and are RoHS Compliant

### MAXIMUM RATINGS (Voltages Referenced to $V_{SS}$ )

| Parameter   | Symbol            | Value                    | Unit |
|---|-------------------|--------------------------|------|
| DC Supply Voltage Range                           | $V_{DD}$          | -0.5 to +18.0            | V    |
| Input or Output Voltage Range (DC or Transient)   | $V_{in}, V_{out}$ | -0.5 to $V_{DD}$<br>+0.5 | V    |
| Input or Output Current (DC or Transient) per Pin | $I_{in}, I_{out}$ | ±10                      | mA   |
| Power Dissipation, per Package (Note 1)           | $P_D$             | 500                      | mW   |
| Ambient Temperature Range                         | $T_A$             | -55 to +125              | °C   |
| Storage Temperature Range                         | $T_{stg}$         | -65 to +150              | °C   |
| Lead Temperature (8-Second Soldering)             | $T_L$             | 260                      | °C   |

Stresses exceeding Maximum Ratings may damage the device. Maximum Ratings are stress ratings only. Functional operation above the Recommended Operating Conditions is not implied. Extended exposure to stresses above the Recommended Operating Conditions may affect device reliability.

1. Temperature Derating: Plastic "P and D/DW"  
Packages: - 7.0 mW/°C From 65°C To 125°C

This device contains protection circuitry to guard against damage due to high static voltages or electric fields. However, precautions must be taken to avoid applications of any voltage higher than maximum rated voltages to this high-impedance circuit. For proper operation,  $V_{in}$  and  $V_{out}$  should be constrained to the range  $V_{SS} \leq (V_{in} \text{ or } V_{out}) \leq V_{DD}$ .

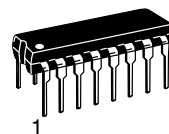
Unused inputs must always be tied to an appropriate logic voltage level (e.g., either  $V_{SS}$  or  $V_{DD}$ ). Unused outputs must be left open.



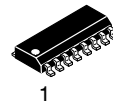
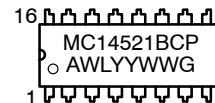
ON Semiconductor®

<http://onsemi.com>

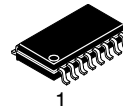
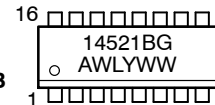
### MARKING DIAGRAMS



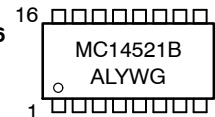
PDIP-16  
P SUFFIX  
CASE 648



SOIC-16  
D SUFFIX  
CASE 751B



SOEIAJ-16  
F SUFFIX  
CASE 966



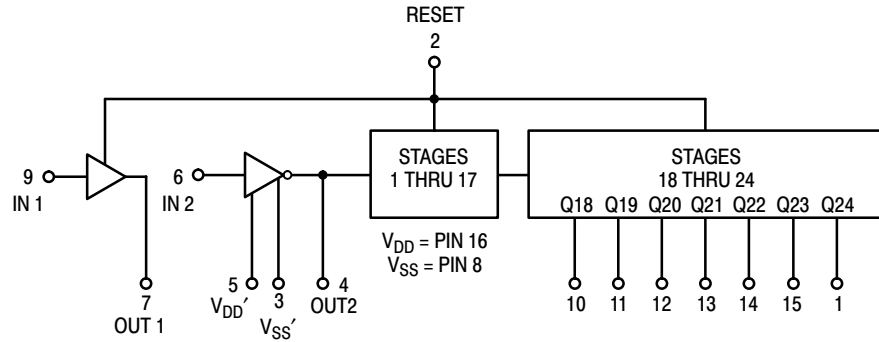
A = Assembly Location  
WL, L = Wafer Lot  
YY, Y = Year  
WW, W = Work Week  
G = Pb-Free Package

### ORDERING INFORMATION

See detailed ordering and shipping information in the package dimensions section on page 2 of this data sheet.

# MC14521B

## BLOCK DIAGRAM



### PIN ASSIGNMENT

|                   |     |    |                 |
|-------------------|-----|----|-----------------|
| Q24               | 1 ● | 16 | V <sub>DD</sub> |
| RESET             | 2   | 15 | Q23             |
| V <sub>SS</sub> ' | 3   | 14 | Q22             |
| OUT 2             | 4   | 13 | Q21             |
| V <sub>DD</sub> ' | 5   | 12 | Q20             |
| IN 2              | 6   | 11 | Q19             |
| OUT 1             | 7   | 10 | Q18             |
| V <sub>SS</sub>   | 8   | 9  | IN 1            |

| Output | Count Capacity               |
|--------|------------------------------|
| Q18    | 2 <sup>18</sup> = 262,144    |
| Q19    | 2 <sup>19</sup> = 524,288    |
| Q20    | 2 <sup>20</sup> = 1,048,576  |
| Q21    | 2 <sup>21</sup> = 2,097,152  |
| Q22    | 2 <sup>22</sup> = 4,194,304  |
| Q23    | 2 <sup>23</sup> = 8,388,608  |
| Q24    | 2 <sup>24</sup> = 16,777,216 |

### ORDERING INFORMATION

| Device       | Package                | Shipping <sup>†</sup> |
|--------------|------------------------|-----------------------|
| MC14521BCPG  | PDIP-16<br>(Pb-Free)   | 500 Units / Rail      |
| MC14521BDG   | SOIC-16<br>(Pb-Free)   | 48 Units / Rail       |
| MC14521BDR2G | SOIC-16<br>(Pb-Free)   | 2500 / Tape & Reel    |
| MC14521BFG   | SOEIAJ-16<br>(Pb-Free) | 50 Units / Rail       |
| MC14521BFELG | SOEIAJ-16<br>(Pb-Free) | 2000 / Tape & Reel    |

<sup>†</sup>For information on tape and reel specifications, including part orientation and tape sizes, please refer to our Tape and Reel Packaging Specifications Brochure, BRD8011/D.

# MC14521B

## ELECTRICAL CHARACTERISTICS (Voltages Referenced to $V_{SS}$ )

| Characteristic   | Symbol   | $V_{DD}$<br>Vdc | - 55°C  |           | 25°C  |                 |           | 125°C |           | Unit      |
|--|----------|-----------------|---|-----------|-------|-----------------|-----------|-------|-----------|-----------|
|  |          |                 | Min   | Max       | Min   | Typ<br>(Note 2) | Max       | Min   | Max       |           |
| Output Voltage<br>$V_{in} = V_{DD}$ or 0<br><br>$V_{in} = 0$ or $V_{DD}$   | $V_{OL}$ | 5.0             | -   | 0.05      | -     | 0               | 0.05      | -     | 0.05      | Vdc       |
|  |          | 10              | -   | 0.05      | -     | 0               | 0.05      | -     | 0.05      |           |
| 15   |          | -               | 0.05  | -         | 0     | 0.05            | -         | 0.05  |           |           |
|  | $V_{OH}$ | 5.0             | 4.95  | -         | 4.95  | 5.0             | -         | 4.95  | -         | Vdc       |
|  |          | 10              | 9.95  | -         | 9.95  | 10              | -         | 9.95  | -         |           |
|  |          | 15              | 14.95   | -         | 14.95 | 15              | -         | 14.95 | -         |           |
| Input Voltage<br>$(V_O = 4.5$ or $0.5$ Vdc)<br>$(V_O = 9.0$ or $1.0$ Vdc)<br>$(V_O = 13.5$ or $1.5$ Vdc)   | $V_{IL}$ | 5.0             | -   | 1.5       | -     | 2.25            | 1.5       | -     | 1.5       | Vdc       |
|  |          | 10              | -   | 3.0       | -     | 4.50            | 3.0       | -     | 3.0       |           |
| 15   |          | -               | 4.0   | -         | 6.75  | 4.0             | -         | 4.0   |           |           |
| $(V_O = 0.5$ or $4.5$ Vdc)<br>$(V_O = 1.0$ or $9.0$ Vdc)<br>$(V_O = 1.5$ or $13.5$ Vdc)  | $V_{IH}$ | 5.0             | 3.5   | -         | 3.5   | 2.75            | -         | 3.5   | -         | Vdc       |
|  |          | 10              | 7.0   | -         | 7.0   | 5.50            | -         | 7.0   | -         |           |
|  |          | 15              | 11  | -         | 11    | 8.25            | -         | 11    | -         |           |
| Output Drive Current<br>$(V_{OH} = 4.5$ Vdc) Source<br>$(V_{OH} = 9.0$ Vdc) Pin 4<br>$(V_{OH} = 13$ Vdc)<br><br>$(V_{OH} = 2.5$ Vdc) Source<br>$(V_{OH} = 4.6$ Vdc) Pins 1, 7, 10,<br>$(V_{OH} = 9.5$ Vdc) 11, 12, 13, 14<br>$(V_{OH} = 13.5$ Vdc) and 15<br><br>$(V_{OL} = 0.4$ Vdc) Sink<br>$(V_{OL} = 0.5$ Vdc)<br>$(V_{OL} = 1.5$ Vdc) | $I_{OH}$ | 5.0             | -0.25   | -         | -0.2  | -0.36           | -         | -0.14 | -         | mAdc      |
|  |          | 10              | -0.62   | -         | -0.5  | -0.9            | -         | -0.35 | -         |           |
|  |          | 15              | -1.8  | -         | -1.5  | -3.5            | -         | -1.1  | -         |           |
|  |          |                 | 5.0   | -3.0      | -     | -2.4            | -4.2      | -     | -1.7      | -         |
| 5.0  |          |                 | -0.64   | -         | -0.51 | -0.88           | -         | -0.36 | -         |           |
| 10   |          |                 | -1.6  | -         | -1.3  | -2.25           | -         | -0.9  | -         |           |
| 15   | -4.2     | -               | -3.4  | -8.8      | -     | -2.4            | -         |       |           |           |
|  | $I_{OL}$ | 5.0             | 0.64  | -         | 0.51  | 0.88            | -         | 0.36  | -         | mAdc      |
|  |          | 10              | 1.6   | -         | 1.3   | 2.25            | -         | 0.9   | -         |           |
|  |          | 15              | 4.2   | -         | 3.4   | 8.8             | -         | 2.4   | -         |           |
| Input Current  | $I_{in}$ | 15              | -   | $\pm 0.1$ | -     | $\pm 0.00001$   | $\pm 0.1$ | -     | $\pm 1.0$ | $\mu$ Adc |
| Input Capacitance<br>$(V_{in} = 0)$  | $C_{in}$ | -               | -   | -         | -     | 5.0             | 7.5       | -     | -         | pF        |
| Quiescent Current<br>(Per Package)   | $I_{DD}$ | 5.0             | -   | 5.0       | -     | 0.005           | 5.0       | -     | 150       | $\mu$ Adc |
|  |          | 10              | -   | 10        | -     | 0.010           | 10        | -     | 300       |           |
|  |          | 15              | -   | 20        | -     | 0.015           | 20        | -     | 600       |           |
| Total Supply Current (Note 3, 4)<br>(Dynamic plus Quiescent,<br>Per Package)<br>$(C_L = 50$ pF on all outputs, all<br>buffers switching)   | $I_T$    | 5.0<br>10<br>15 | $I_T = (0.42 \mu\text{A/kHz}) f + I_{DD}$<br>$I_T = (0.85 \mu\text{A/kHz}) f + I_{DD}$<br>$I_T = (1.40 \mu\text{A/kHz}) f + I_{DD}$ |           |       |                 |           |       |           | $\mu$ Adc |

2. Data labelled "Typ" is not to be used for design purposes but is intended as an indication of the IC's potential performance.

3. The formulas given are for the typical characteristics only at 25°C.

4. To calculate total supply current at loads other than 50 pF:  $I_T(C_L) = I_T(50 \text{ pF}) + (C_L - 50) V f k$  where:  $I_T$  is in  $\mu\text{A}$  (per package),  $C_L$  in pF,  $V = (V_{DD} - V_{SS})$  in volts,  $f$  in kHz is input frequency, and  $k = 0.003$ .

# MC14521B

## SWITCHING CHARACTERISTICS (Note 5) ( $C_L = 50 \text{ pF}$ , $T_A = 25^\circ\text{C}$ )

| Characteristic   | Symbol             | V <sub>DD</sub><br>Vdc                 | Min                            | Typ<br>(Note 6)                            | Max                                       | Unit          |
|--|--------------------|--|--------------------------------|--|---|---------------|
| Output Rise and Fall Time (Counter Outputs)<br>$t_{TLH}, t_{THL} = (1.5 \text{ ns/pF}) C_L + 25 \text{ ns}$<br>$t_{TLH}, t_{THL} = (0.75 \text{ ns/pF}) C_L + 12.5 \text{ ns}$<br>$t_{TLH}, t_{THL} = (0.55 \text{ ns/pF}) C_L + 12.5 \text{ ns}$  | $t_{TLH}, t_{THL}$ | 5.0<br>10<br>15                        | -<br>-<br>-                    | 100<br>50<br>40                            | 200<br>100<br>80                          | ns            |
| Propagation Delay Time<br>Clock to Q18<br>$t_{PHL}, t_{PLH} = (1.7 \text{ ns/pF}) C_L + 4415 \text{ ns}$<br>$t_{PHL}, t_{PLH} = (0.66 \text{ ns/pF}) C_L + 1667 \text{ ns}$<br>$t_{PHL}, t_{PLH} = (0.5 \text{ ns/pF}) C_L + 1275 \text{ ns}$<br>Clock to Q24<br>$t_{PHL}, t_{PLH} = (1.7 \text{ ns/pF}) C_L + 5915 \text{ ns}$<br>$t_{PHL}, t_{PLH} = (0.66 \text{ ns/pF}) C_L + 2167 \text{ ns}$<br>$t_{PHL}, t_{PLH} = (0.5 \text{ ns/pF}) C_L + 1675 \text{ ns}$ | $t_{PHL}, t_{PLH}$ | 5.0<br>10<br>15<br><br>5.0<br>10<br>15 | -<br>-<br>-<br><br>-<br>-<br>- | 4.5<br>1.7<br>1.3<br><br>6.0<br>2.2<br>1.7 | 9.0<br>3.5<br>2.7<br><br>12<br>4.5<br>3.5 | $\mu\text{s}$ |
| Propagation Delay Time<br>Reset to Q <sub>n</sub><br>$t_{PHL} = (1.7 \text{ ns/pF}) C_L + 1215 \text{ ns}$<br>$t_{PHL} = (0.66 \text{ ns/pF}) C_L + 467 \text{ ns}$<br>$t_{PHL} = (0.5 \text{ ns/pF}) C_L + 350 \text{ ns}$  | $t_{PHL}$          | 5.0<br>10<br>15                        | -<br>-<br>-                    | 1300<br>500<br>375                         | 2600<br>1000<br>750                       | ns            |
| Clock Pulse Width  | $t_{WH(cl)}$       | 5.0<br>10<br>15                        | 385<br>150<br>120              | 140<br>55<br>40                            | -<br>-<br>-                               | ns            |
| Clock Pulse Frequency  | $f_{cl}$           | 5.0<br>10<br>15                        | -<br>-<br>-                    | 3.5<br>9.0<br>12                           | 2.0<br>5.0<br>6.5                         | MHz           |
| Clock Rise and Fall Time   | $t_{TLH}, t_{THL}$ | 5.0<br>10<br>15                        | -<br>-<br>-                    | -<br>-<br>-                                | 15<br>5.0<br>4.0                          | $\mu\text{s}$ |
| Reset Pulse Width  | $t_{WH(R)}$        | 5.0<br>10<br>15                        | 1400<br>600<br>450             | 700<br>300<br>225                          | -<br>-<br>-                               | ns            |
| Reset Removal Time   | $t_{rem}$          | 5.0<br>10<br>15                        | 30<br>0<br>-40                 | -200<br>-160<br>-110                       | -<br>-<br>-                               | ns            |

5. The formulas given are for the typical characteristics only at 25°C.

6. Data labelled "Typ" is not to be used for design purposes but is intended as an indication of the IC's potential performance.

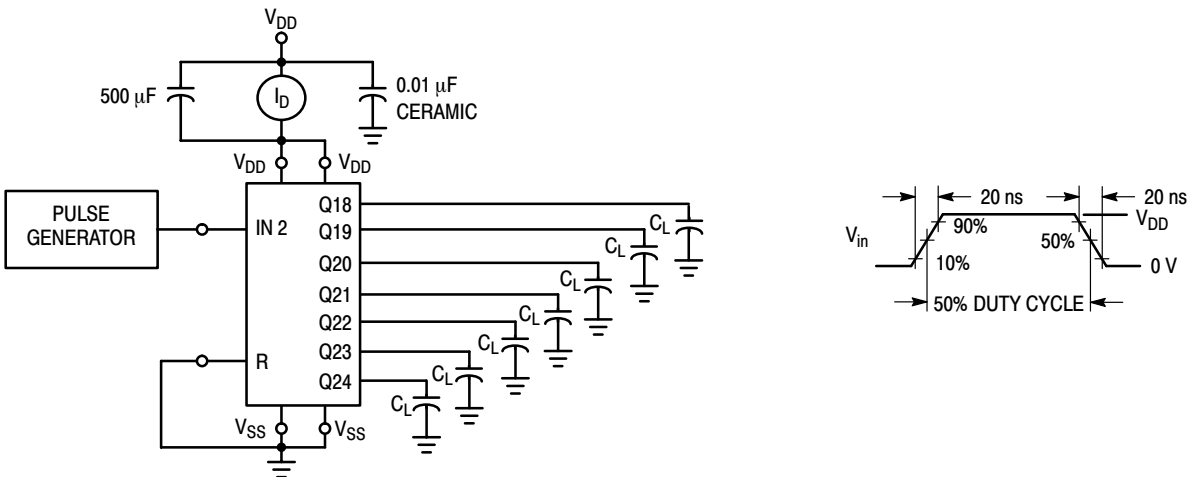


Figure 1. Power Dissipation Test Circuit and Waveform

# MC14521B

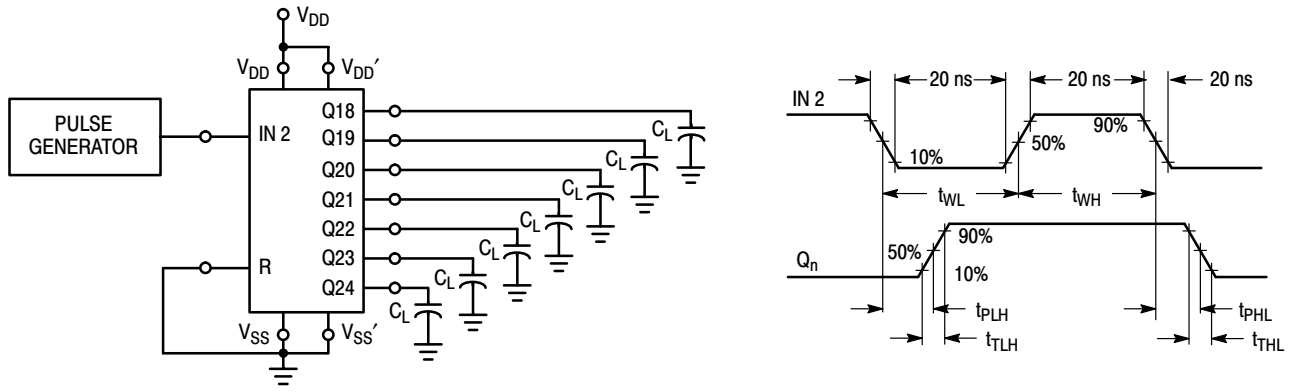
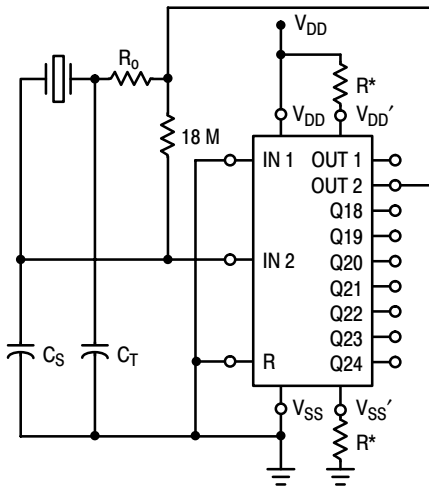


Figure 2. Switching Time Test Circuit and Waveforms



\*Optional for low power operation,  
 $10 \text{ k}\Omega \leq R \leq 70 \text{ k}\Omega$ .

Figure 3. Crystal Oscillator Circuit

| Characteristic  | 500 kHz Circuit | 50 kHz Circuit | Unit             |
|---|-----------------|----------------|------------------|
| Crystal Characteristics   |                 |                |                  |
| Resonant Frequency  | 500             | 50             | kHz              |
| Equivalent Resistance, $R_S$  | 1.0             | 6.2            | $\text{k}\Omega$ |
| External Resistor/Capacitor Values  |                 |                |                  |
| $R_O$   | 47              | 750            | $\text{k}\Omega$ |
| $C_T$   | 82              | 82             | pF               |
| $C_S$   | 20              | 20             | pF               |
| Frequency Stability   |                 |                |                  |
| Frequency Change as a Function of $V_{DD}$ ( $T_A = 25^\circ\text{C}$ )   |                 |                |                  |
| $V_{DD}$ Change from 5.0 V to 10 V  | + 6.0           | + 2.0          | ppm              |
| $V_{DD}$ Change from 10 V to 15 V   | + 2.0           | + 2.0          | ppm              |
| Frequency Change as a Function of Temperature ( $V_{DD} = 10 \text{ V}$ ) |                 |                |                  |
| $T_A$ Change from $-55^\circ\text{C}$ to $+25^\circ\text{C}$              | - 4.0           | - 2.0          | ppm              |
| MC14521 only  | + 100           | + 120          | ppm              |
| Complete Oscillator*  |                 |                |                  |
| $T_A$ Change from $+25^\circ\text{C}$ to $+125^\circ\text{C}$             | - 2.0           | - 2.0          | ppm              |
| MC14521 only  | - 160           | - 560          | ppm              |
| Complete Oscillator*  |                 |                |                  |

\*Complete oscillator includes crystal, capacitors, and resistors.

Figure 4. Typical Data for Crystal Oscillator Circuit

# MC14521B

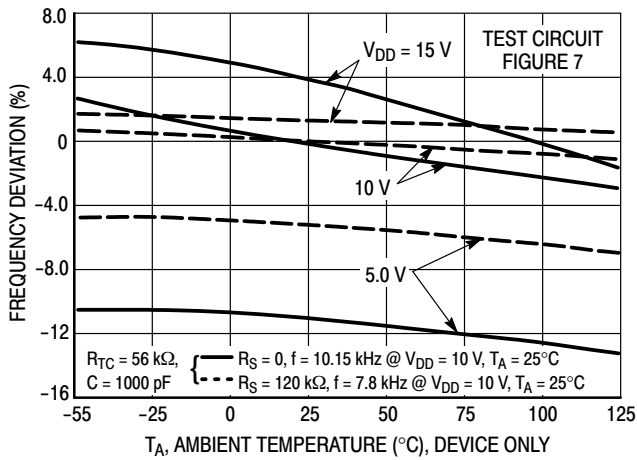


Figure 5. RC Oscillator Stability

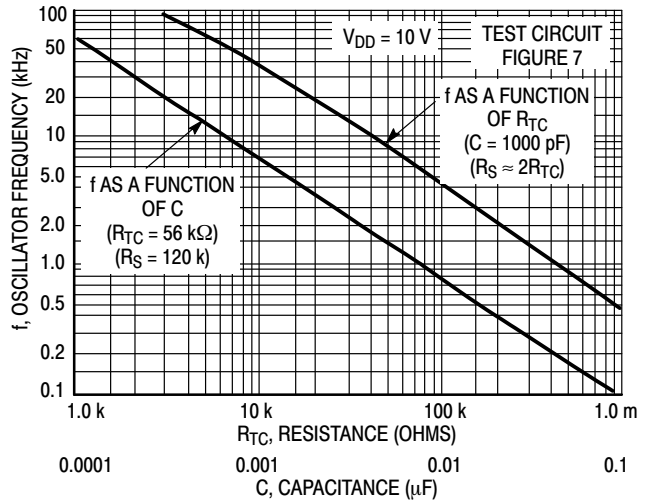


Figure 6. RC Oscillator Frequency as a Function of  $R_{TC}$  and  $C$

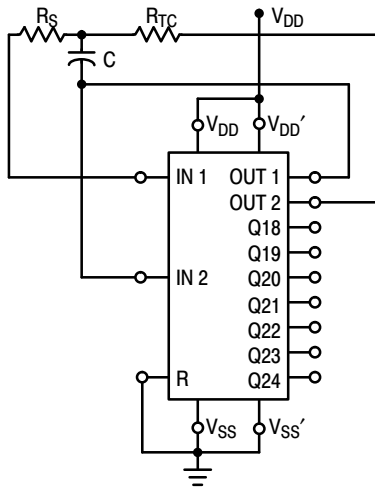


Figure 7. RC Oscillator Circuit

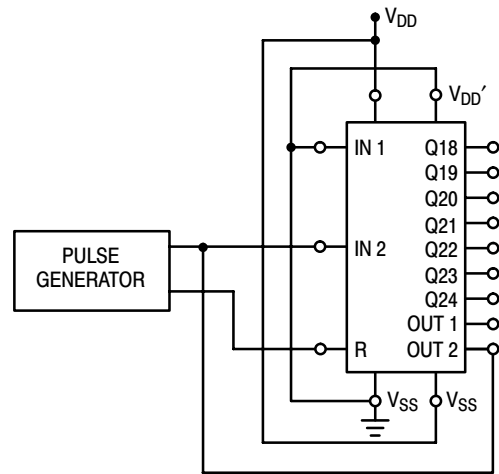


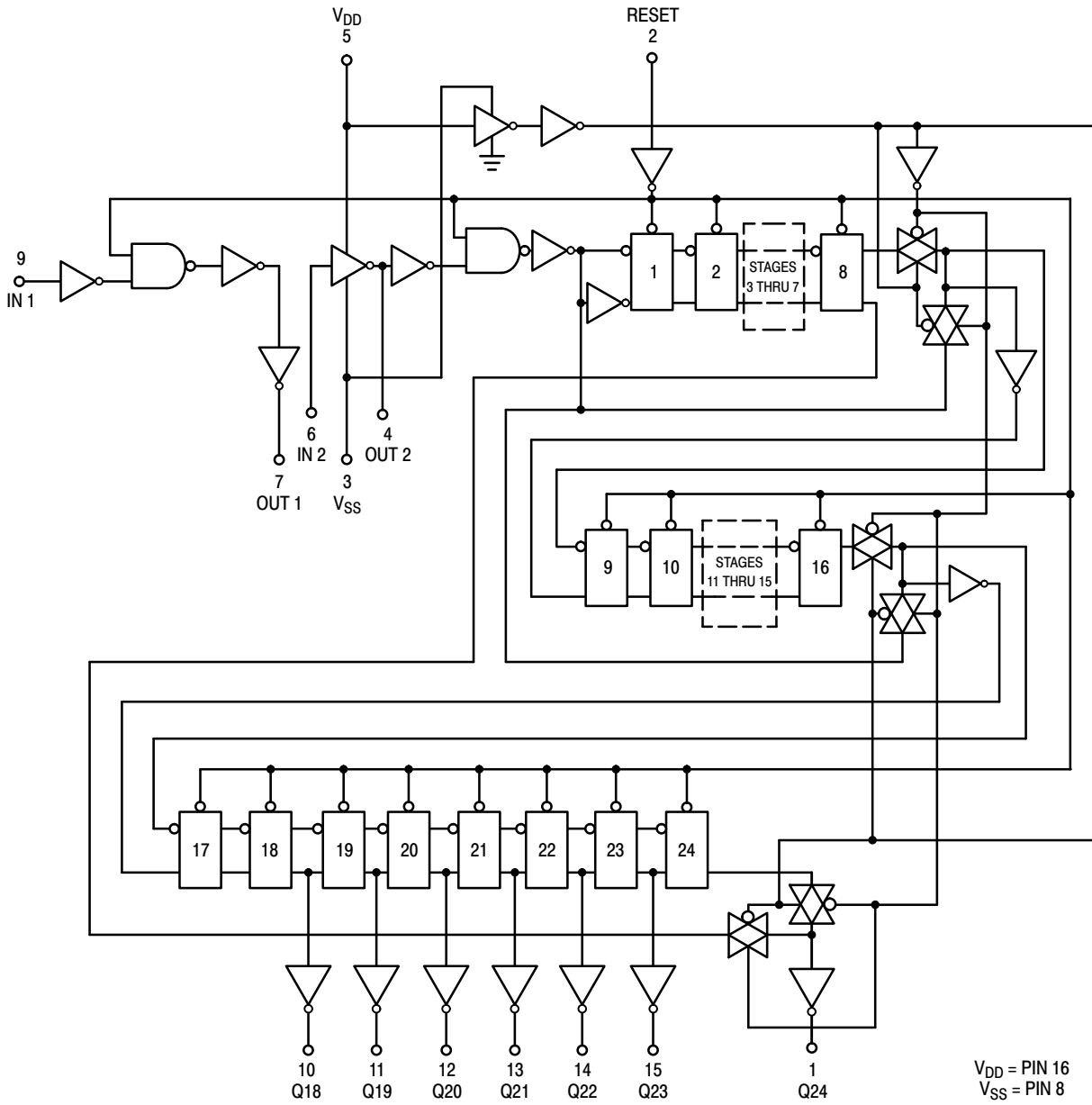
Figure 8. Functional Test Circuit

## FUNCTIONAL TEST SEQUENCE

|   | Inputs |      | Outputs |           |           | Comments   |  |  |
|---|--------|------|---------|-----------|-----------|--|--|--|
|   | Reset  | In 2 | Out 2   | $V_{SS}'$ | $V_{DD}'$ |  |  |  |
| <p>A test function (see Figure 8) has been included for the reduction of test time required to exercise all 24 counter stages. This test function divides the counter into three 8-stage sections, and 255 counts are loaded in each of the 8-stage sections in parallel. All flip-flops are now at a logic "1". The counter is now returned to the normal 24-stages in series configuration. One more pulse is entered into Input 2 (In 2) which will cause the counter to ripple from an all "1" state to an all "0" state.</p> | 1      | 0    | 0       | $V_{DD}$  | GND       | Counter is in three 8-stage sections in parallel mode Counter is reset. In 2 and Out 2 are connected together. |  |  |
|   | 0      | 1    | 1       | -         | -         | -  | First "0" to "1" transition on In 2, Out 2 node.                   |  |
|   |        | 0    | 0       |           |           |  | 255 "0" to "1" transitions are clocked into this In 2, Out 2 node. |  |
|   |        | 1    | 1       |           |           |  | 1  | The 255th "0" to "1" transition.                           |
|   |        | 0    | 0       |           |           |  | 1  |  |
|   |        | 0    | 0       |           |           |  | 1  |  |
|   | 0      | 1    | 0       | -         | -         | -  | Counter converted back to 24-stages in series mode.                |  |
|   |        | 1    | 0       |           |           |  | 1  | Out 2 converts back to an output.                          |
|   |        | 0    | 1       |           |           |  | 0  | Counter ripples from an all "1" state to an all "0" stage. |

# MC14521B

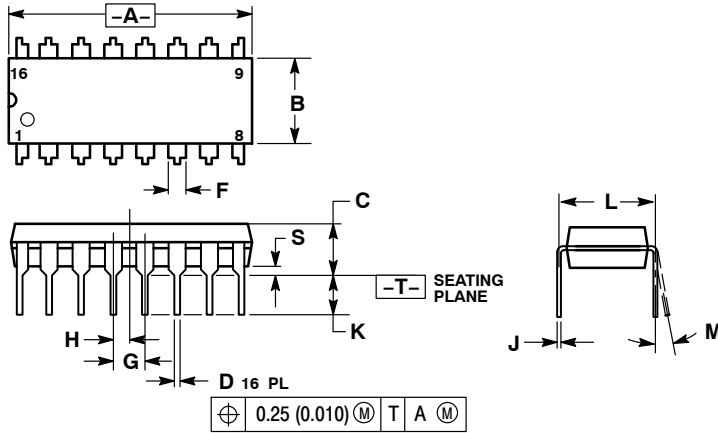
## LOGIC DIAGRAM



# MC14521B

## PACKAGE DIMENSIONS

### PDIP-16 CASE 648-08 ISSUE T

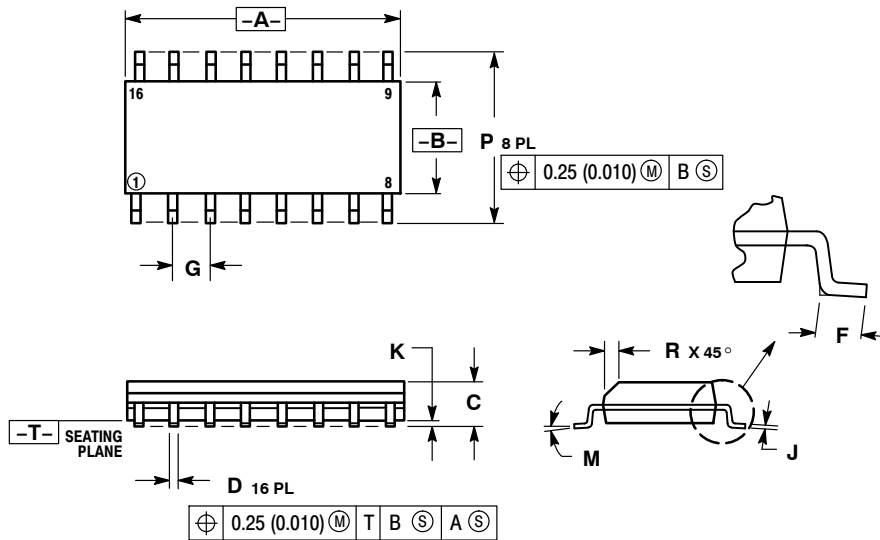


NOTES:

1. DIMENSIONING AND TOLERANCING PER ANSI Y14.5M, 1982.
2. CONTROLLING DIMENSION: INCH.
3. DIMENSION L TO CENTER OF LEADS WHEN FORMED PARALLEL.
4. DIMENSION B DOES NOT INCLUDE MOLD FLASH.
5. ROUNDED CORNERS OPTIONAL.

| DIM | INCHES    |       | MILLIMETERS |       |
|-----|-----------|-------|-------------|-------|
|     | MIN       | MAX   | MIN         | MAX   |
| A   | 0.740     | 0.770 | 18.80       | 19.55 |
| B   | 0.250     | 0.270 | 6.35        | 6.85  |
| C   | 0.145     | 0.175 | 3.69        | 4.44  |
| D   | 0.015     | 0.021 | 0.39        | 0.53  |
| F   | 0.040     | 0.70  | 1.02        | 1.77  |
| G   | 0.100 BSC |       | 2.54 BSC    |       |
| H   | 0.050 BSC |       | 1.27 BSC    |       |
| J   | 0.008     | 0.015 | 0.21        | 0.38  |
| K   | 0.110     | 0.130 | 2.80        | 3.30  |
| L   | 0.295     | 0.305 | 7.50        | 7.74  |
| M   | 0°        |       | 10°         |       |
| S   | 0.020     | 0.040 | 0.51        | 1.01  |

### SOIC-16 CASE 751B-05 ISSUE K

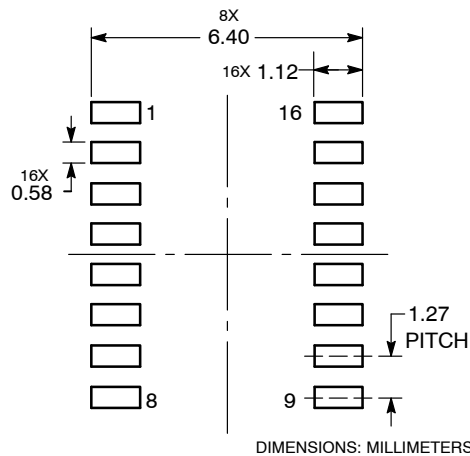


NOTES:

1. DIMENSIONING AND TOLERANCING PER ANSI Y14.5M, 1982.
2. CONTROLLING DIMENSION: MILLIMETER.
3. DIMENSIONS A AND B DO NOT INCLUDE MOLD PROTRUSION.
4. MAXIMUM MOLD PROTRUSION 0.15 (0.006) PER SIDE.
5. DIMENSION D DOES NOT INCLUDE DAMBAR PROTRUSION. ALLOWABLE DAMBAR PROTRUSION SHALL BE 0.127 (0.005) TOTAL IN EXCESS OF THE D DIMENSION AT MAXIMUM MATERIAL CONDITION.

| DIM | MILLIMETERS |       | INCHES    |       |
|-----|-------------|-------|-----------|-------|
|     | MIN         | MAX   | MIN       | MAX   |
| A   | 9.80        | 10.00 | 0.386     | 0.393 |
| B   | 3.80        | 4.00  | 0.150     | 0.157 |
| C   | 1.35        | 1.75  | 0.054     | 0.068 |
| D   | 0.35        | 0.49  | 0.014     | 0.019 |
| F   | 0.40        | 1.25  | 0.016     | 0.049 |
| G   | 1.27 BSC    |       | 0.050 BSC |       |
| J   | 0.19        | 0.25  | 0.008     | 0.009 |
| K   | 0.10        | 0.25  | 0.004     | 0.009 |
| M   | 0°          |       | 7°        |       |
| P   | 5.80        | 6.20  | 0.229     | 0.244 |
| R   | 0.25        | 0.50  | 0.010     | 0.019 |

### SOLDERING FOOTPRINT

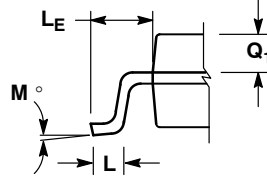
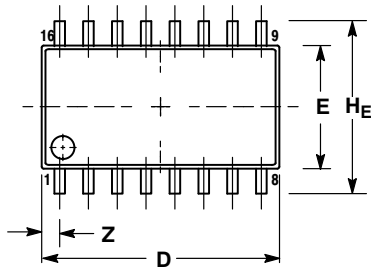




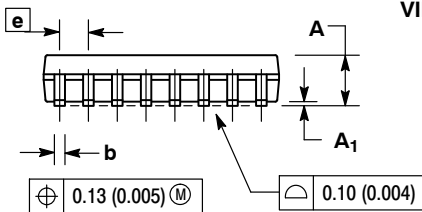
# MC14521B

## PACKAGE DIMENSIONS

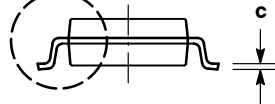
SOEIAJ-16  
CASE 966-01  
ISSUE A



DETAIL P



VIEW P



NOTES:

1. DIMENSIONING AND TOLERANCING PER ANSI Y14.5M, 1982.
2. CONTROLLING DIMENSION: MILLIMETER.
3. DIMENSIONS D AND E DO NOT INCLUDE MOLD FLASH OR PROTRUSIONS AND ARE MEASURED AT THE PARTING LINE. MOLD FLASH OR PROTRUSIONS SHALL NOT EXCEED 0.15 (0.006) PER SIDE.
4. TERMINAL NUMBERS ARE SHOWN FOR REFERENCE ONLY.
5. THE LEAD WIDTH DIMENSION (b) DOES NOT INCLUDE DAMBAR PROTRUSION. ALLOWABLE DAMBAR PROTRUSION SHALL BE 0.08 (0.003) TOTAL IN EXCESS OF THE LEAD WIDTH DIMENSION AT MAXIMUM MATERIAL CONDITION. DAMBAR CANNOT BE LOCATED ON THE LOWER RADIUS OR THE FOOT. MINIMUM SPACE BETWEEN PROTRUSIONS AND ADJACENT LEAD TO BE 0.46 (0.018).

| DIM            | MILLIMETERS |       | INCHES    |       |
|----------------|-------------|-------|-----------|-------|
|                | MIN         | MAX   | MIN       | MAX   |
| A              | ---         | 2.05  | ---       | 0.081 |
| A <sub>1</sub> | 0.05        | 0.20  | 0.002     | 0.008 |
| b              | 0.35        | 0.50  | 0.014     | 0.020 |
| c              | 0.10        | 0.20  | 0.007     | 0.011 |
| D              | 9.90        | 10.50 | 0.390     | 0.413 |
| E              | 5.10        | 5.45  | 0.201     | 0.215 |
| e              | 1.27 BSC    |       | 0.050 BSC |       |
| H <sub>E</sub> | 7.40        | 8.20  | 0.291     | 0.323 |
| L              | 0.50        | 0.85  | 0.020     | 0.033 |
| L <sub>E</sub> | 1.10        | 1.50  | 0.043     | 0.059 |
| M              | 0°          |       | 10°       |       |
| Q <sub>1</sub> | 0.70        | 0.90  | 0.028     | 0.035 |
| Z              | ---         | 0.78  | ---       | 0.031 |

**ON Semiconductor** and **ON** are registered trademarks of Semiconductor Components Industries, LLC (SCILLC). SCILLC reserves the right to make changes without further notice to any products herein. SCILLC makes no warranty, representation or guarantee regarding the suitability of its products for any particular purpose, nor does SCILLC assume any liability arising out of the application or use of any product or circuit, and specifically disclaims any and all liability, including without limitation special, consequential or incidental damages. "Typical" parameters which may be provided in SCILLC data sheets and/or specifications can and do vary in different applications and actual performance may vary over time. All operating parameters, including "Typicals" must be validated for each customer application by customer's technical experts. SCILLC does not convey any license under its patent rights nor the rights of others. SCILLC products are not designed, intended, or authorized for use as components in systems intended for surgical implant into the body, or other applications intended to support or sustain life, or for any other application in which the failure of the SCILLC product could create a situation where personal injury or death may occur. Should Buyer purchase or use SCILLC products for any such unintended or unauthorized application, Buyer shall indemnify and hold SCILLC and its officers, employees, subsidiaries, affiliates, and distributors harmless against all claims, costs, damages, and expenses, and reasonable attorney fees arising out of, directly or indirectly, any claim of personal injury or death associated with such unintended or unauthorized use, even if such claim alleges that SCILLC was negligent regarding the design or manufacture of the part. SCILLC is an Equal Opportunity/Affirmative Action Employer. This literature is subject to all applicable copyright laws and is not for resale in any manner.

### PUBLICATION ORDERING INFORMATION

**LITERATURE FULFILLMENT:**  
Literature Distribution Center for ON Semiconductor  
P.O. Box 5163, Denver, Colorado 80217 USA  
**Phone:** 303-675-2175 or 800-344-3860 Toll Free USA/Canada  
**Fax:** 303-675-2176 or 800-344-3867 Toll Free USA/Canada  
**Email:** orderlit@onsemi.com

**N. American Technical Support:** 800-282-9855 Toll Free USA/Canada  
**Europe, Middle East and Africa Technical Support:**  
Phone: 421 33 790 2910  
**Japan Customer Focus Center**  
Phone: 81-3-5773-3850

**ON Semiconductor Website:** [www.onsemi.com](http://www.onsemi.com)  
**Order Literature:** <http://www.onsemi.com/orderlit>  
For additional information, please contact your local Sales Representative

Компания «Океан Электроники» предлагает заключение долгосрочных отношений при поставках импортных электронных компонентов на взаимовыгодных условиях!

Наши преимущества:

- Поставка оригинальных импортных электронных компонентов напрямую с производств Америки, Европы и Азии, а так же с крупнейших складов мира;
- Широкая линейка поставок активных и пассивных импортных электронных компонентов (более 30 млн. наименований);
- Поставка сложных, дефицитных, либо снятых с производства позиций;
- Оперативные сроки поставки под заказ (от 5 рабочих дней);
- Экспресс доставка в любую точку России;
- Помощь Конструкторского Отдела и консультации квалифицированных инженеров;
- Техническая поддержка проекта, помощь в подборе аналогов, поставка прототипов;
- Поставка электронных компонентов под контролем ВП;
- Система менеджмента качества сертифицирована по Международному стандарту ISO 9001;
- При необходимости вся продукция военного и аэрокосмического назначения проходит испытания и сертификацию в лаборатории (по согласованию с заказчиком);
- Поставка специализированных компонентов военного и аэрокосмического уровня качества (Xilinx, Altera, Analog Devices, Intersil, Interpoint, Microsemi, Actel, Aeroflex, Peregrine, VPT, Syfer, Eurofarad, Texas Instruments, MS Kennedy, Miteq, Cobham, E2V, MA-COM, Hittite, Mini-Circuits, General Dynamics и др.);

Компания «Океан Электроники» является официальным дистрибьютором и эксклюзивным представителем в России одного из крупнейших производителей разъемов военного и аэрокосмического назначения «JONHON», а так же официальным дистрибьютором и эксклюзивным представителем в России производителя высокотехнологичных и надежных решений для передачи СВЧ сигналов «FORSTAR».



## JONHON

«JONHON» (основан в 1970 г.)

Разъемы специального, военного и аэрокосмического назначения:

(Применяются в военной, авиационной, аэрокосмической, морской, железнодорожной, горно- и нефтедобывающей отраслях промышленности)

«FORSTAR» (основан в 1998 г.)

ВЧ соединители, коаксиальные кабели, кабельные сборки и микроволновые компоненты:

(Применяются в телекоммуникациях гражданского и специального назначения, в средствах связи, РЛС, а так же военной, авиационной и аэрокосмической отраслях промышленности).



Телефон: 8 (812) 309-75-97 (многоканальный)

Факс: 8 (812) 320-03-32

Электронная почта: [ocean@oceanchips.ru](mailto:ocean@oceanchips.ru)

Web: <http://oceanchips.ru/>

Адрес: 198099, г. Санкт-Петербург, ул. Калинина, д. 2, корп. 4, лит. А