

Piezo Switch N.O.



Point Illumination

PSE M22 PI



RI dotted green

PSE M22 RI

Description

- Available in version Standard, lettered, with Point Illumination or Ring Illumination
- RGB, RGY: flexible input voltage from 5 - 28 VDC at constant brightness
- With color combination RGB and RGY
- 7 possible colors with RGB configuration
- 3 possible colors with RGY configuration Assembly by mounting with nut
- Pins, Wire, Crimp Terminal male or Cable with Faston

Unique Selling Proposition

- Variety of design options regarding size, colour, shape, connection or lettering
- High reliability, long lifetime with more than 20 mill. actuations
- With RGB or RGY ring illumination

See below:

Approvals and Compliances

Characteristics

- Housing material types: aluminum or stainless steel, ring illuminated version additionally made of polyamide
- For use in harsh environments, both indoors and outdoors (see technical data)

Other versions on request

- switch for longer switching signal duration, type: PSE IV
- Switch for explosion proof applications, type: PSE EX
- Switch with enhanced vandal proof protection, type: PSE HI

References

- Alternative: switch vandal improved: [PSE HI 22](#)
- Alternative: switch for EX proved applications: [PSE EX 16](#); [PSE EX 19](#); [PSE EX 22](#)
- Alternative: Other diameter
- Alternative: switch with prolonged signal: [PSE AE 16](#); [PSE AE 30](#); [PSE IV 19](#)

Weblinks

- [pdf data sheet](#), [html datasheet](#), [General Product Information](#), [CAD-Drawings](#), [Product News](#), [Detailed request for product](#), [Microsite](#)

Technical Data

Electrical Data

Switching Function	momentary
Supply Voltage	24 VDC Ring Illumination 24 VDC Point Illumination 5 VDC and 12 VDC variants on request (MOQ 500 pieces)
Supply Voltage RGB	5 - 28 VDC
Switching Voltage	max. 42 / 60 VAC/DC
Switching Current	max. 100 mA
Electrical Rating	1 W
Lifetime	20 million actuations at Rated Switching Capacity
Switch Resistance OFF	> 10 MΩ
Switch Resistance ON	< 20Ω actuated (Ta = 25°C)
Capacity	5 nF
N.O. Closing Impulse Duration	20- 1000 ms depending on actuating force, time and speed
Contact Configuration	free polarity
RGB Illumination	
Current Consumption (max per color)	16.5 mA @ 5 VDC 8.2 mA @ 12 VDC 5.5 mA @ 24 VDC 4.8 mA @ 28 VDC

Mechanical Data

Actuating Force	≤ 3 N at ambient temperature
Actuating Travel	0.002 mm
Shock Protection	IK 02
Mounting screw torque	2.5 Nm

Climatical Data

Operating Temperature	-40 to 85 °C
Storage Temperature	-40 to 85 °C
IP-Protection	IP67 acc. to IEC 60529, IP69K acc. to DIN 40050-9
Environmental Assessment	+55°C / 93% r.h. acc. to DIN EN 60068-2-30

Salt Spray Test (acc. to DIN 50021-SS)	24 h / 48 h / 96 h Residence Time
--	-----------------------------------

Material

Housing (depending on type)	Stainless Steel, Aluminum anodized
Actuating Area / Insert (with Ring Illumination)	Stainless Steel, Aluminum anodized
Illuminated Ring (Ring Illumination)	Polyamide


Approvals and Compliances

Detailed information on product approvals, code requirements, usage instructions and detailed test conditions can be looked up in [Details about Approvals](#)

SCHURTER products are designed for use in industrial environments. They have approvals from independent testing bodies according to national and international standards. Products with specific characteristics and requirements such as required in the automotive sector according to IATF 16949, medical technology according to ISO 13485 or in the aerospace industry can be offered exclusively with customer-specific, individual agreements by SCHURTER.



Application standards

Application standards where the product can be used

Organization	Design	Standard	Description
	Designed for applications acc.	IEC/UL 62368-1	IEC 62368-1 includes the basic requirements for safety of audio, video, information technology and office equipment.

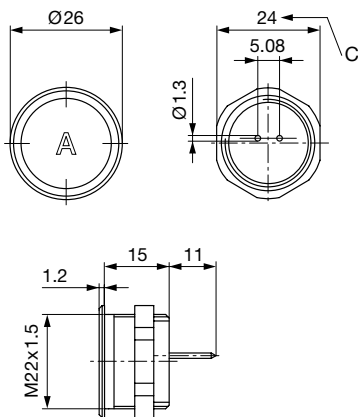
Compliances

The product complies with following Guide Lines

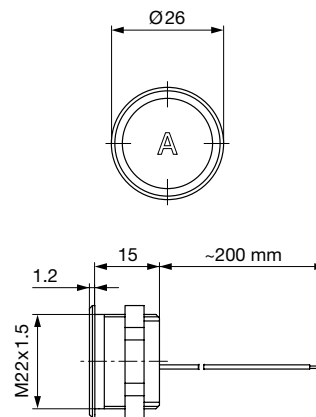
Identification	Details	Initiator	Description
	RoHS	SCHURTER AG	Directive RoHS 2011/65/EU, Amendment (EU) 2015/863
	REACH	SCHURTER AG	On 1 June 2007, Regulation (EC) No 1907/2006 on the Registration, Evaluation, Authorization and Restriction of Chemicals 1 (abbreviated as "REACH") entered into force.

Dimension [mm]

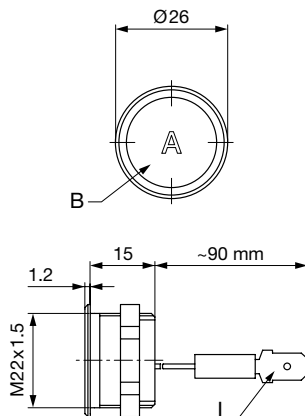
PSE M22 with Pins



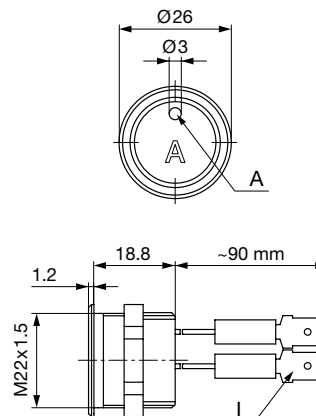
PSE M22 with Wire



PSE M22 with Crimp Terminal male

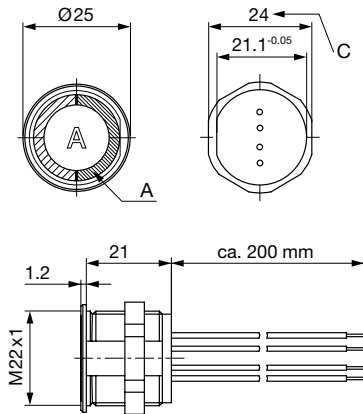


PSE M22 PI with Crimp Terminal male

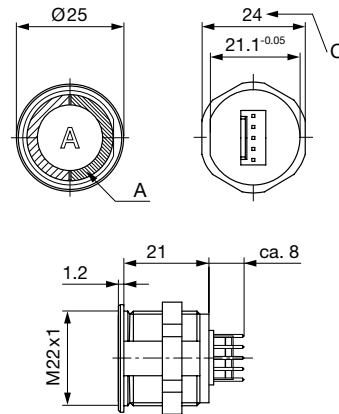


Version available on request

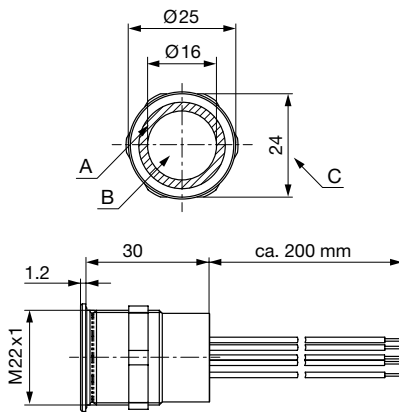
PSE M22 RI with Wires



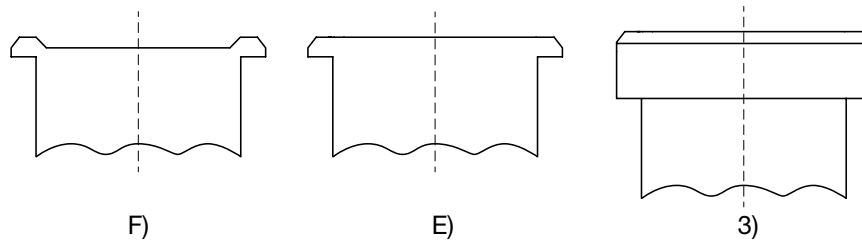
PSE M22 RI with Plug Connector



PSE M22 RI RGB with wires



Design actuating area



Legend:

- A = Illumination Area
- B = Actuating Area
- C = Width Across Flats
- I = Crimp Terminal male 6.3 x 0.8
- PI = Point Illumination
- RI = Ring Illumination

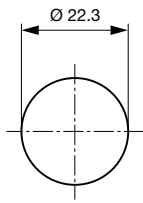
Lettering:

- either with/without lettering
- position of the connections with respect to the position of the lettering is not defined

- F) with finger guidance
- E) without finger guidance
- 3) elevated front design: M19 (standard, others on request)

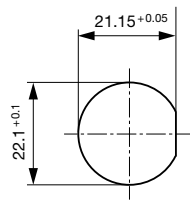
Dimension

PSE M22 (incl. RGB)



Drilling diagram

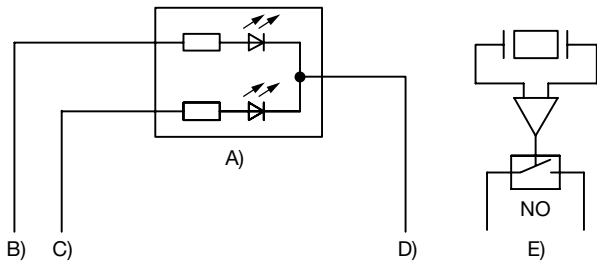
PSE M22 RI (excl. RGB)



Drilling diagram

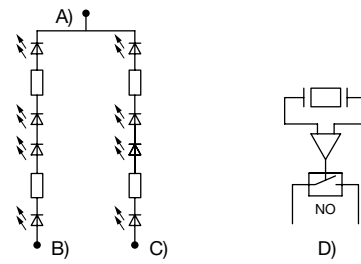
Diagrams

PSE PI



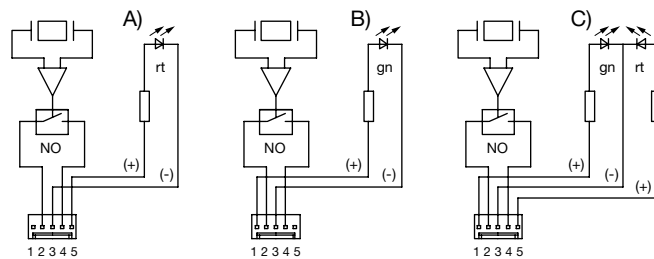
- A) Double-LED (2 colors, 3 pins) or simple LED (2 pins)
- B) Cable 1 (color 1 of the LED), Supply voltage
- C) Cable 2 (color 2 of the LED), Supply voltage
- D) Cable 3 (black), Mass
- E) Cable 4 and 5 (white), input and output PSE switch

PSE M22 RI with Wires, 12/24 V



- A) Cable 5 (black), Common mass of both LED groups
- B) Cable 1 (color of the LEDs), Supply voltage first LED group
- C) Cable 2 (color of the LEDs), Supply voltage second LED group
- D) Cable 3 and 4 (white), Input and output PSE switch

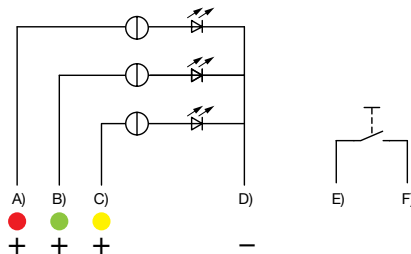
PSE M22 RI with Quick Connect Terminal, 12/24 V



- A) Illuminated red
- B) Illuminated green
- C) Illuminated red/green

PI = point illumination
 RI = ring illumination

PSE M22 / M30 RI RGY

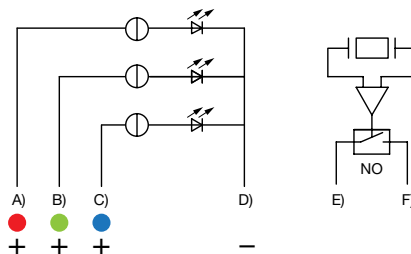


- A) Cable (color of the LED), Supply voltage
- B) Cable (color of the LED), Supply voltage
- C) Cable (color of the LED), Supply voltage
- D) Cable (black), Common mass
- E) Cable (white), Input and output MCS switch
- F) Cable (white), Input and output MCS switch

Illumination options for RGY

Lighting type	Active terminal A) ●	Active terminal B) ●	Active terminal C) ●	Resulting Color
Multicolor Singlecolor	A			Red ●
Multicolor Singlecolor		B		Green ●
Multicolor Singlecolor			C	Yellow ●

PSE M22 / M24 / M27 / M30 RI RGB



- A) Cable 1 (color of the LED), Supply voltage
- B) Cable 2 (color of the LED), Supply voltage
- C) Cable 3 (color of the LED), Supply voltage
- D) Cable 4 (black), Common mass
- E) Cable 5/6 (white), Input and output PSE switch
- F) Cable 5/6 (white), Input and output PSE switch

Illumination options for RGB

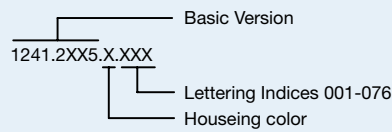
Lighting type	Active terminal A) ●	Active terminal B) ●	Active terminal C) ●	Resulting Color
Multicolor Singlecolor	A			Red ●
Multicolor Singlecolor		B		Green ●
Multicolor Singlecolor			C	Blue ●
Multicolor RGB Additive 2	A	B		Yellow ●
Multicolor RGB Additive 2	A		C	Magenta ●
Multicolor RGB Additive 2		B	C	Cyan ●
Multicolor RGB Additive 3	A	B	C	White ○

Lettering

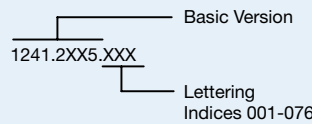
The last three digits in the order number define the lettering:

001-076	Standard Lettering
101-	Customized Lettering

Lettering - Aluminium / Plastic Material



Lettering - Stainless Steel



Lettering Colour of Laser Lettering

Material	Lettering Colour		
Stainless Steel	black	Filled letters	
Aluminum natural anodized	light grey	Filled letters	(only after customer approval)
Aluminum coloured anodized	light grey	Filled letters	

Order Index Lettering

Laser Marking			
001 =A	021 =U	041 =‡	061 =EIN
002 =B	022 =V	042 = *	062 =AUS
003 =C	023 =W	043 = =	063 =AUF
004 =D	024 =X	044 = #	064 =AB
005 =E	025 =Y	045 = ↔	065 =ON
006 =F	026 =Z	046 = †	066 =OFF
007 =G	027 =0	047 = →	067 =UP
008 =H	028 =1	048 = ←	068 =DOWN
009 =I	029 =2	049 = ↓	069 =HIGH
010 =J	030 =3	050 = ↑	070 =LOW
011 =K	031 =4	051 = %	071 =ON/OFF
012 =L	032 =5	052 = √	072 =START
013 =M	033 =6	053 =CTRL	073 =RESET
014 =N	034 =7	054 =RETURN	074 =⏻
015 =O	035 =8	055 =SHIFT	075 =💡
016 =P	036 =9	056 =LOCK	076 =🔔
017 =Q	037 =+	057 =STOP	077 =⓪
018 =R	038 =-	058 =ENTER	
019 =S	039 =.	059 =BACK	
020 =T	040 =x	060 =LINE	

All Variants

Mounting Diameter	Terminal	Housing Material, Torsion Protection	Colour of Housing	Actuator area	Illumination, LED	Config. Code	Order Number
22	Flexible wire	Stainless Steel ,no	-	F	non-illuminated	PSE M 22 NO	1241.3004
22	Flexible wire	Stainless Steel ,no	-	E	Point Illumination, green, 24 VDC	PSE M 22 NO PI	1241.3594.M
22	Flexible wire	Aluminum ,yes	Alu natural	F	RI dotted, blue, 24 VDC	PSE M 22 NO RI	1241.3413
22	Flexible wire	Aluminum ,yes	Alu natural	E	RI dotted, green, 24 VDC	PSE M 22 NO RI	1241.3257
22	Flexible wire	Aluminum ,yes	Alu natural	E	RI dotted, red / green, 24 VDC	PSE M 22 NO RI	1241.3258

Mounting Diameter	Terminal	Housing Material, Torsion Protection	Colour of Housing	Actuator area	Illumination, LED	Config. Code	Order Number
22	Flexible wire	Aluminum ,yes	Alu natural	E	RI dotted, red, 24 VDC	PSE M 22 NO RI	1241.3256
22	Flexible wire	Aluminum ,no	Alu natural	F	RI homogeneous, RGB, 5 - 28 VDC	PSE M 22 NO RI	1241.3663
22	Flexible wire	Aluminum ,no	Alu natural	F	RI homogeneous, RGY, 5 - 28 VDC	PSE M 22 NO RI	1241.3664
22	Flexible wire	Stainless Steel ,no	-	E	RI homogeneous, RGB, 5 - 28 VDC	PSE M 22 NO RI	1241.3669
22	Plug Connector	Aluminum ,yes	Alu natural	E	RI dotted, green, 24 VDC	PSE M 22 NO RI	1241.3260
22	Plug Connector	Aluminum ,yes	Alu natural	E	RI dotted, red / green, 24 VDC	PSE M 22 NO RI	1241.3261
22	Plug Connector	Aluminum ,yes	Alu natural	E	RI dotted, red, 24 VDC	PSE M 22 NO RI	1241.3259
22	Quick Connect Terminal	Aluminum ,no	Alu natural	F	Point Illumination, blue, 24 VDC	PSE M 22 NO PI	1241.3244.M
22	Quick Connect Terminal	Aluminum ,no	Alu natural	F	Point Illumination, green, 24 VDC	PSE M 22 NO PI	1241.3089.M
22	Quick Connect Terminal	Aluminum ,no	Alu natural	F	Point Illumination, red, 24 VDC	PSE M 22 NO PI	1241.3020.M
22	Quick Connect Terminal	Aluminum ,no	red	F	Point Illumination, red, 24 VDC	PSE M 22 NO PI	1241.3166.M
22	Quick Connect Terminal	Aluminum ,no	Alu natural	F	Point Illumination, yellow, 24 VDC	PSE M 22 NO PI	1241.3047.M
22	Pins	Aluminum ,no	red	F	non-illuminated	PSE M 22 NO	1241.3005
22	Pins	Aluminum ,no	green	F	non-illuminated	PSE M 22 NO	1241.3006
22	Pins	Aluminum ,no	black	F	non-illuminated	PSE M 22 NO	1241.3007
22	Pins	Aluminum ,no	Alu natural	F	non-illuminated	PSE M 22 NO	1241.3008
22	Pins	Stainless Steel ,no	-	F	non-illuminated	PSE M 22 NO	1241.3075

Nut with gasket are enclosed in the box.

Other mounting diameters, materials, colors, connections, supply voltages possible available on request.
 Special materials e.g. Marine grade stainless steel for use in salt and chlorinated environment on request.

The MOQ for standard laser lettering on standard variants is a packing unit.

5 VDC and 12 VDC RI variants on request (MOQ 500 pieces)

Most Popular.

Availability for all products can be searched real-time: <https://www.schurter.com/en/Stock-Check/Stock-Check-SCHURTER>

Legend:

Type: PSE

NO = normally open

IV = prolonged signal

RU = PI = Point Illumination

RI = Ring Illumination

LE = Lettered

K = Plastics

Alu = Aluminium

ES = Stainless steel

F = Finger guidance

E = without finger guidance

Packaging unit 10 in box with insert or packed in air cushion bags



- Actuating elements in ESD safe packaging
- Screw nuts and sealing rings in a bag (enclosed in the box)

Accessories

Description



Connecting Terminal PSE
 Connecting Terminal



Power Supply
 Power Supply IP42 for LED- and Illumination applications indoor 90~264 VAC => 24 VDC 0.34 A 8 W

Компания «Океан Электроники» предлагает заключение долгосрочных отношений при поставках импортных электронных компонентов на взаимовыгодных условиях!

Наши преимущества:

- Поставка оригинальных импортных электронных компонентов напрямую с производств Америки, Европы и Азии, а так же с крупнейших складов мира;
- Широкая линейка поставок активных и пассивных импортных электронных компонентов (более 30 млн. наименований);
- Поставка сложных, дефицитных, либо снятых с производства позиций;
- Оперативные сроки поставки под заказ (от 5 рабочих дней);
- Экспресс доставка в любую точку России;
- Помощь Конструкторского Отдела и консультации квалифицированных инженеров;
- Техническая поддержка проекта, помощь в подборе аналогов, поставка прототипов;
- Поставка электронных компонентов под контролем ВП;
- Система менеджмента качества сертифицирована по Международному стандарту ISO 9001;
- При необходимости вся продукция военного и аэрокосмического назначения проходит испытания и сертификацию в лаборатории (по согласованию с заказчиком);
- Поставка специализированных компонентов военного и аэрокосмического уровня качества (Xilinx, Altera, Analog Devices, Intersil, Interpoint, Microsemi, Actel, Aeroflex, Peregrine, VPT, Syfer, Eurofarad, Texas Instruments, MS Kennedy, Miteq, Cobham, E2V, MA-COM, Hittite, Mini-Circuits, General Dynamics и др.);

Компания «Океан Электроники» является официальным дистрибьютором и эксклюзивным представителем в России одного из крупнейших производителей разъемов военного и аэрокосмического назначения «JONHON», а так же официальным дистрибьютором и эксклюзивным представителем в России производителя высокотехнологичных и надежных решений для передачи СВЧ сигналов «FORSTAR».



JONHON

«JONHON» (основан в 1970 г.)

Разъемы специального, военного и аэрокосмического назначения:

(Применяются в военной, авиационной, аэрокосмической, морской, железнодорожной, горно- и нефтедобывающей отраслях промышленности)

«FORSTAR» (основан в 1998 г.)

ВЧ соединители, коаксиальные кабели,
кабельные сборки и микроволновые компоненты:

(Применяются в телекоммуникациях гражданского и специального назначения, в средствах связи, РЛС, а так же военной, авиационной и аэрокосмической отраслях промышленности).



Телефон: 8 (812) 309-75-97 (многоканальный)

Факс: 8 (812) 320-03-32

Электронная почта: ocean@oceanchips.ru

Web: <http://oceanchips.ru/>

Адрес: 198099, г. Санкт-Петербург, ул. Калинина, д. 2, корп. 4, лит. А