

1. Overview

1.1 Features

The M16C Family offers a robust platform of 32-/16-bit CISC microcomputers (MCUs) featuring high ROM code efficiency, extensive EMI/EMS noise immunity, ultra-low power consumption, high-speed processing in actual applications, and numerous and varied integrated peripherals. Extensive device scalability from low- to high-end, featuring a single architecture as well as compatible pin assignments and peripheral functions, provides support for a vast range of application fields.

The R32C/100 Series is a high-end microcontroller series in the M16C Family. With a 4-Gbyte memory space, it achieves maximum code efficiency and high-speed processing with 32-bit CISC architecture, multiplier, multiply-accumulate unit, and floating point unit. The selection from the broadest choice of on-chip peripheral devices — UART, CRC, DMAC, A/D and D/A converters, timers, I²C-bus interface, and watchdog timer enables to minimize external components.

The R32C/111 Group is the standard MCU within the R32C/100 Series. This product, provided as 100-pin plastic molded LGA, and 100-/64-pin plastic molded LQFP packages, has a maximum of nine channels of serial interface.

1.1.1 Applications

Audio, cameras, television, home appliance, printer, meter, office/industrial equipment, communication/portable devices

1.1.2 Performance Overview

Tables 1.1 to 1.4 show the performance overview of the R32C/111 Group.

Table 1.1 Performance Overview for the 100-pin Package (1/2)

| Unit | Function | Explanation |
|------------------------|--------------------------|--|
| CPU | Central processing unit | R32C/100 Series CPU Core <ul style="list-style-type: none"> • Basic instructions: 108 • Minimum instruction execution time: 20 ns ($f(\text{CPU}) = 50 \text{ MHz}$) • Multiplier: 32-bit \times 32-bit \rightarrow 64-bit • Multiply-accumulate unit: 32-bit \times 32-bit + 64-bit \rightarrow 64-bit • IEEE-754 compatible FPU: Single precision • 32-bit barrel shifter • Operating mode: Single-chip mode, memory expansion mode, microprocessor mode (optional ⁽¹⁾) |
| Memory | | Flash memory: 256 to 512 Kbytes RAM: 32 to 63 Kbytes Data flash: 4 Kbytes \times 2 blocks Refer to Table 1.5 for memory size of each product group |
| Voltage Detector | Low voltage detector | Optional ⁽¹⁾ Low voltage detection interrupt |
| Clock | Clock generator | <ul style="list-style-type: none"> • 4 circuits (main clock, sub clock, PLL, on-chip oscillator) • Oscillation stop detector: Main clock oscillator stop/restart detection • Frequency divide circuit: Divide-by-2 to divide-by-24 selectable • Low power modes: Wait mode, stop mode |
| External Bus Expansion | Bus and memory expansion | <ul style="list-style-type: none"> • Address space: 4 Gbytes (of which up to 64 Mbytes is user accessible) • External bus Interface: Support for wait-state insertion, 4 chip select outputs, 3V/5V interface • Bus format: Separate bus/Multiplexed bus selectable, data bus width selectable (8/16 bits) |
| Interrupts | | Interrupt vectors: 261 External interrupt inputs: $\overline{\text{NMI}}$, $\overline{\text{INT}} \times 6$, key input $\times 4$ Interrupt priority levels: 7 |
| Watchdog Timer | | 15 bits \times 1 (selectable input frequency from prescaler output) |
| DMA | DMAC | 4 channels <ul style="list-style-type: none"> • Cycle-steal transfer mode • Request sources: 51 • 2 transfer modes: Single transfer, repeat transfer |
| | DMAC II | <ul style="list-style-type: none"> • Triggered by an interrupt request of any peripheral • 3 characteristic transfer functions: Immediate data transfer, calculation result transfer, chain transfer |
| I/O Ports | Programmable I/O ports | <ul style="list-style-type: none"> • 2 input-only ports • 82 CMOS I/O ports • 2 N-channel open drain ports • A pull-up resistor is selectable for every 4 input ports |

Note:

1. Contact a Renesas Electronics sales office to use the optional features.

Table 1.2 Performance Overview for the 100-pin Package (2/2)

| Unit | Function | Explanation |
|------------------------------------|---------------------------------|---|
| Timer | Timer A | 16-bit timer × 5 Timer mode, event counter mode, one-shot timer mode, pulse-width modulation (PWM) mode Two-phase pulse signal processing in event counter mode (two-phase encoder input) × 3 |
| | Timer B | 16-bit timer × 6 Timer mode, event counter mode, pulse frequency measurement mode, pulse-width measurement mode |
| | Three-phase motor control timer | Three-phase motor control timer × 1 (timers A1, A2, A4, and B2 used) 8-bit programmable dead time timer |
| Serial Interface | UART0 to UART8 | Asynchronous/synchronous serial interface × 9 channels <ul style="list-style-type: none"> • I²C-bus (UART0 to UART6) • Special mode 2 (UART0 to UART6) • IEBus (optional ⁽¹⁾) (UART0 to UART6) |
| A/D Converter | | 10-bit resolution × 26 channels Sample and hold functionality integrated |
| D/A Converter | | 8-bit resolution × 2 |
| CRC Calculator | | CRC-CCITT ($X^{16} + X^{12} + X^5 + 1$) |
| X-Y Converter | | 16 bits × 16 bits |
| Intelligent I/O | | Time measurement (input capture): 16 bits × 16 Waveform generation (output compare): 16 bits × 19 Serial interface: Variable-length synchronous serial I/O mode, IEBus mode (optional ⁽¹⁾) |
| Flash Memory | | Programming and erasure supply voltage: VCC1 = VCC2 = 3.0 to 5.5 V Minimum endurance: 1,000 program/erase cycles Security protection: ROM code protect, ID code protect Debugging: On-chip debug, on-board flash programming |
| Operating Frequency/Supply Voltage | | 50 MHz/VCC1 = 3.0 to 5.5 V, VCC2 = 3.0 V to VCC1 |
| Operating Temperature | | -20°C to 85°C (N version) -40°C to 85°C (D version) |
| Current Consumption | | 32 mA (VCC1 = VCC2 = 5.0 V, f(CPU) = 50 MHz) 8 μA (VCC1 = VCC2 = 3.3 V, f(XCIN) = 32.768 kHz, in wait mode) |
| Package | | 100-pin plastic molded LQFP (PLQP0100KB-A) 100-pin plastic molded TFLGA (PTLG0100KA-A) |

Note:

1. Contact a Renesas Electronics sales office to use the optional features.

Table 1.3 Performance Overview for the 64-pin Package (1/2)

| Unit | Function | Explanation |
|------------------|-------------------------|--|
| CPU | Central processing unit | R32C/100 Series CPU Core <ul style="list-style-type: none"> • Basic instructions: 108 • Minimum instruction execution time: 20 ns ($f(\text{CPU}) = 50 \text{ MHz}$) • Multiplier: 32-bit \times 32-bit \rightarrow 64-bit • Multiply-accumulate unit: 32-bit \times 32-bit + 64-bit \rightarrow 64-bit • IEEE-754 compatible FPU: Single precision • 32-bit barrel shifter • Operating mode: Single-chip mode |
| Memory | | Flash memory: 128/256 Kbytes RAM: 32 Kbytes Data flash: 4 Kbytes \times 2 blocks Refer to Table 1.5 for memory size of each product group |
| Voltage Detector | Low voltage detector | Optional ⁽¹⁾ Low voltage detection interrupt |
| Clock | Clock generator | <ul style="list-style-type: none"> • 4 circuits (main clock, sub clock, PLL, on-chip oscillator) • Oscillation stop detector: Main clock oscillator stop/restart detection • Frequency divide circuit: Divide-by-2 to divide-by-24 selectable • Low power modes: Wait mode, stop mode |
| Interrupts | | Interrupt vectors: 261 External interrupt inputs: $\overline{\text{NMI}}$, $\overline{\text{INT}} \times 6$, key input $\times 4$ Interrupt priority levels: 7 |
| Watchdog Timer | | 15 bits \times 1 (selectable input frequency from prescaler output) |
| DMA | DMAC | 4 channels <ul style="list-style-type: none"> • Cycle-steal transfer mode • Request sources: 45 • 2 transfer modes: Single transfer, repeat transfer |
| | DMAC II | <ul style="list-style-type: none"> • Triggered by an interrupt request of any peripheral • 3 characteristic transfer functions: Immediate data transfer, calculation result transfer, chain transfer |
| I/O Ports | Programmable I/O ports | <ul style="list-style-type: none"> • 1 input-only port • 49 CMOS I/O ports • 2 N-channel open drain ports • A pull-up resistor is selectable for every 4 input ports |

Note:

1. Contact a Renesas Electronics sales office to use the optional features.

Table 1.4 Performance Overview for the 64-pin Package (2/2)

| Unit | Function | Explanation |
|------------------------------------|---------------------------------|---|
| Timer | Timer A | 16-bit timer × 5 Timer mode, event counter mode, one-shot timer mode, pulse-width modulation (PWM) mode Two-phase pulse signal processing in event counter mode (two-phase encoder input) × 3 |
| | Timer B | 16-bit timer × 6 ⁽¹⁾ Timer mode, event counter mode, pulse frequency measurement mode, pulse-width measurement mode |
| | Three-phase motor control timer | Three-phase motor control timer × 1 (timers A1, A2, A4, and B2 used) 8-bit programmable dead time timer |
| Serial Interface | UART0 to UART3, UART5, UART8 | Asynchronous/synchronous serial interface × 6 channels <ul style="list-style-type: none"> • I²C-bus (UART0 to UART3, UART5) • Special mode 2 (UART0 to UART3, UART5) • IEBus (optional ⁽²⁾) (UART0 to UART3, UART5) |
| A/D Converter | | 10-bit resolution × 20 channels Sample and hold functionality integrated |
| D/A Converter | | 8-bit resolution × 1 |
| CRC Calculator | | CRC-CCITT ($X^{16} + X^{12} + X^5 + 1$) |
| X-Y Converter | | 16 bits × 16 bits |
| Intelligent I/O | | Time measurement (input capture): 16 bits × 16 Waveform generation (output compare): 16 bits × 19 Serial interface: Variable-length synchronous serial I/O mode, IEBus mode (optional ⁽²⁾) |
| Flash Memory | | Programming and erasure supply voltage: VCC1 = 3.0 to 5.5 V Minimum endurance: 1,000 program/erase cycles Security protection: ROM code protect, ID code protect Debugging: On-chip debug, on-board flash programming |
| Operating Frequency/Supply Voltage | | 50 MHz/VCC1 = 3.0 to 5.5 V |
| Operating Temperature | | -40°C to 85°C (D version) |
| Current Consumption | | 32 mA (VCC1 = 5.0 V, f(CPU) = 50 MHz) 8 μA (VCC1 = 3.3 V, f(XCIN) = 32.768 kHz, in wait mode) |
| Package | | 64-pin plastic molded LQFP (PLQP0064KB-A) |

Notes:

1. Timer B4 is available in timer mode only.
2. Contact a Renesas Electronics sales office to use the optional features.

1.2 Product Information

Table 1.5 lists the product information and Figure 1.1 shows the details of the part number.

Table 1.5 R32C/111 Group Product List

As of March, 2014

| Part Number | Package Code (1) | ROM Capacity (2) | RAM Capacity | Remarks |
|-------------|------------------|-------------------------|--------------|---------------------------|
| R5F64110DFB | PLQP0100KB-A | 256 Kbytes +8 Kbytes | 63 Kbytes | -40°C to 85°C (D version) |
| R5F64111DFB | | 384 Kbytes +8 Kbytes | | |
| R5F64112DFB | | 512 Kbytes +8 Kbytes | | |
| R5F64114DFB | | 256 Kbytes +8 Kbytes | 40 Kbytes | |
| R5F64115DFB | | 384 Kbytes +8 Kbytes | | |
| R5F64116DFB | | 512 Kbytes +8 Kbytes | | |
| R5F64111NLG | PTLG0100KA-A | 384 Kbytes +8 Kbytes | 63 Kbytes | -20°C to 85°C (N version) |
| R5F64112NLG | | 512 Kbytes +8 Kbytes | | |
| R5F6411FNLG | | 256 Kbytes +8 Kbytes | 32 Kbytes | |
| R5F6411EDFN | PLQP064KB-A | 128 Kbytes +8 Kbytes | 32 Kbytes | -40°C to 85°C (D version) |
| R5F6411FDFN | | 256 Kbytes +8 Kbytes | | |

Notes:

- The old package codes are as follows:
 PLQP0100KB-A: 100P6Q-A
 PTLG0100KA-A: 100F0M
 PLQP0064KB-A: 64P6Q-A
- “+ 8 Kbytes” in the ROM capacity column indicates the data flash capacity.



Figure 1.1 Part Numbering

1.3 Block Diagram

Figures 1.2 and 1.3 show block diagram of the R32C/111 Group.

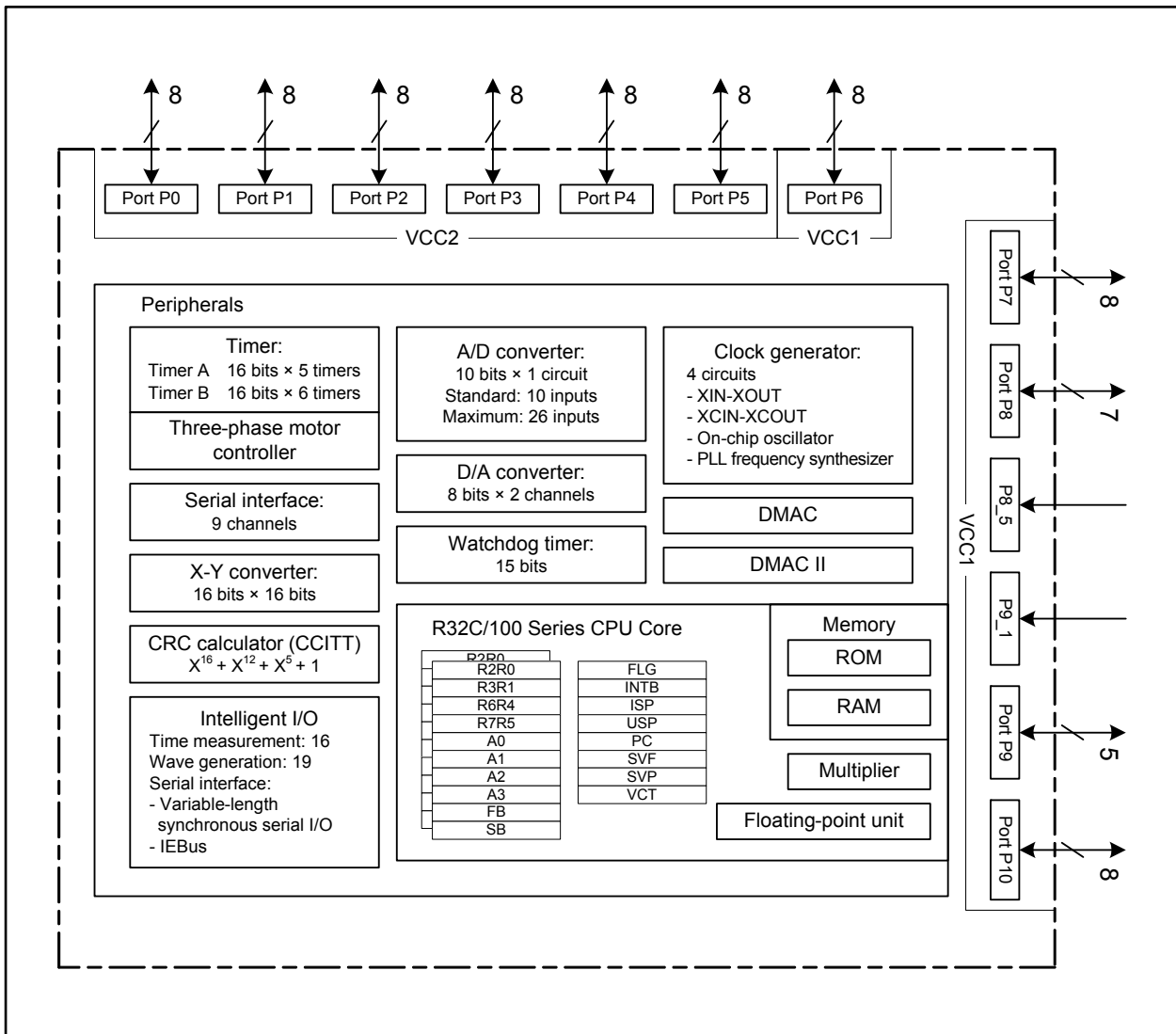


Figure 1.2 R32C/111 Group Block Diagram for the 100-pin Package



Figure 1.3 R32C/111 Group Block Diagram for the 64-pin Package

1.4 Pin Assignments

Figures 1.4 to 1.6 show the pin assignments (top view) and Tables 1.6 to 1.10 show the pin characteristics.

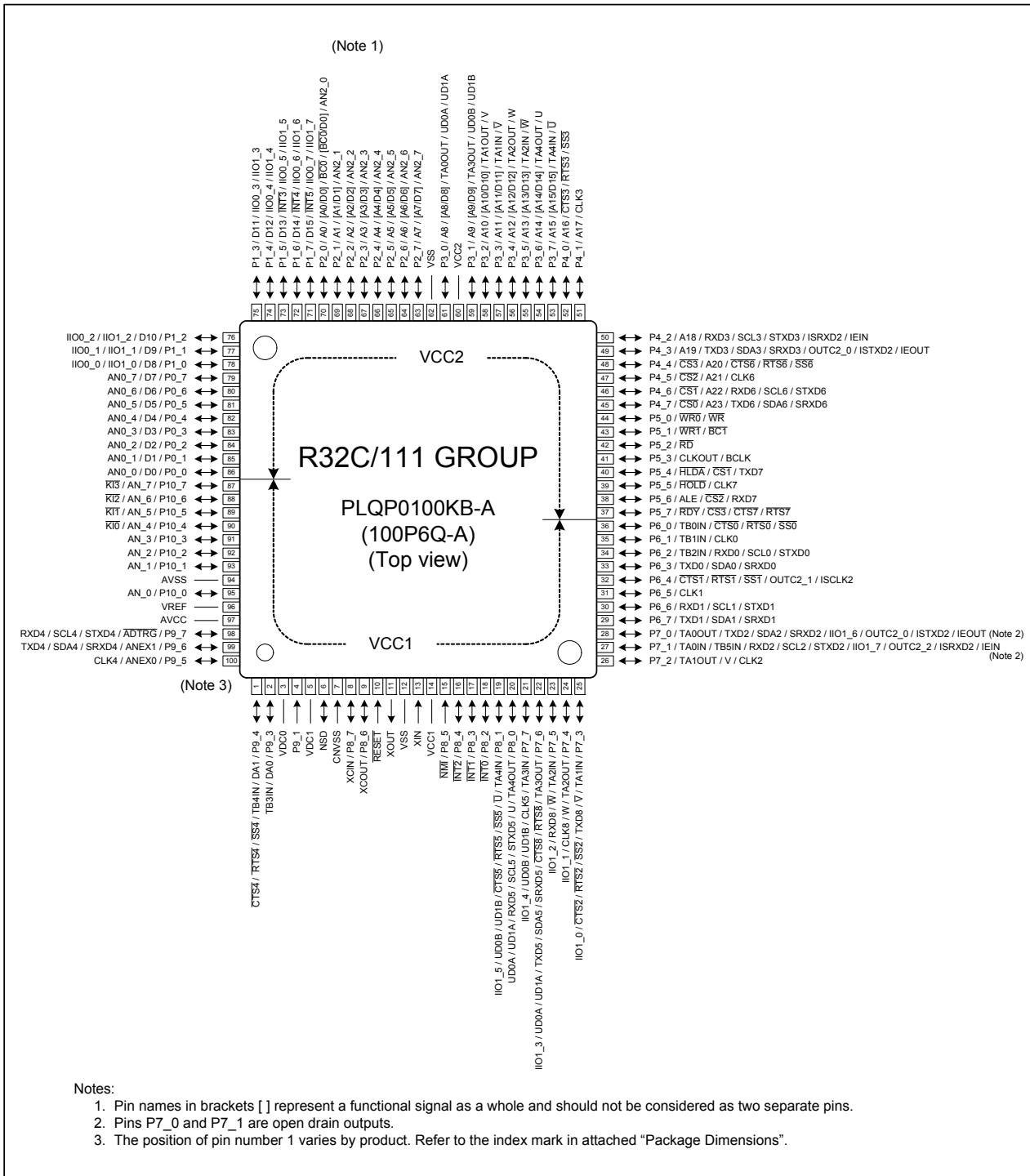


Figure 1.4 Pin Assignment for the 100-pin Package (top view)

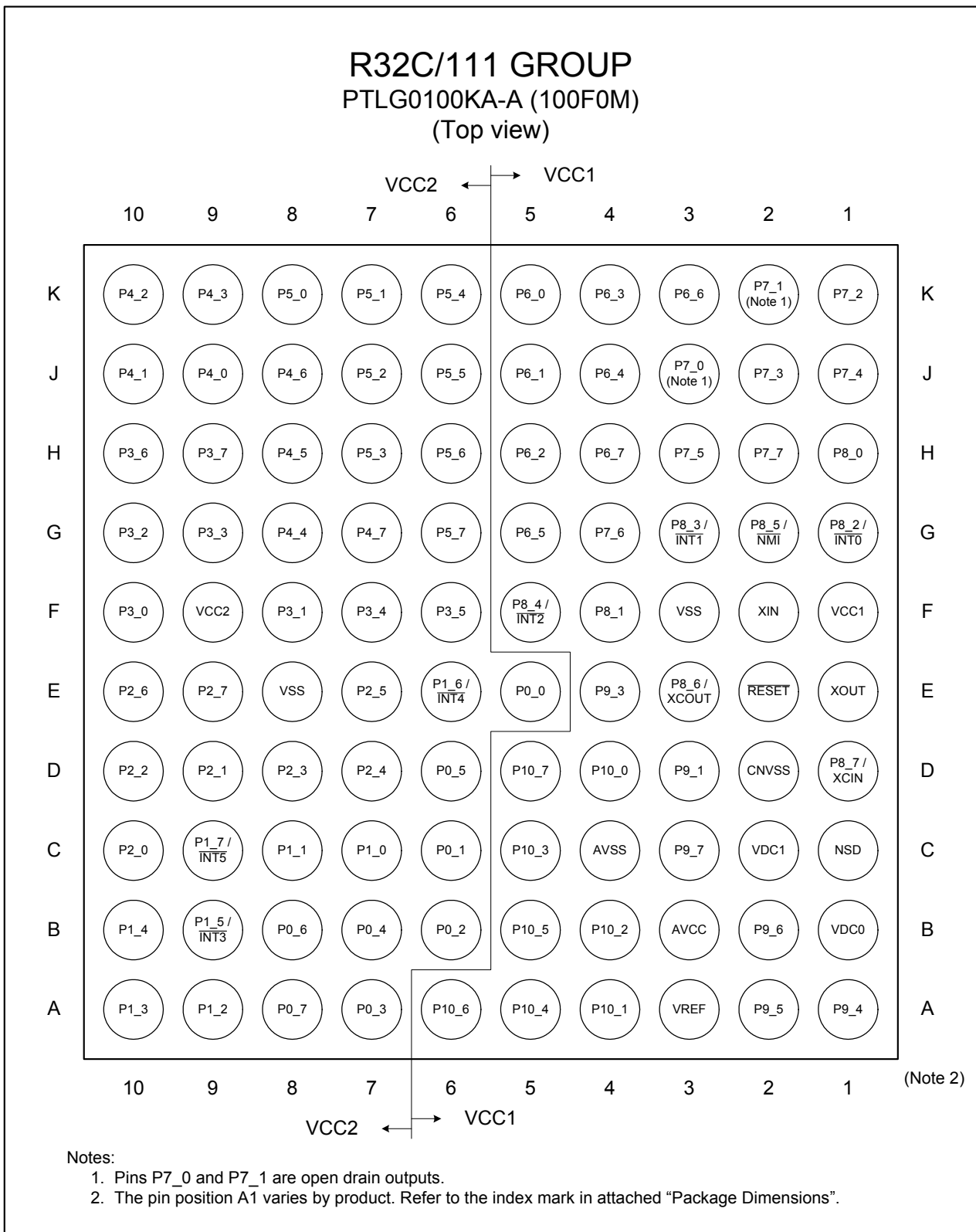


Figure 1.5 Pin Assignment for the 100-pin LGA Package (top view)

Table 1.6 Pin Characteristics for the 100-pin Package (1/3)

| Pin No. | | Control Pin | Port | Interrupt Pin | Timer Pin | UART Pin | Intelligent I/O Pin | Analog Pin | Bus Control Pin |
|---------|-----|-------------|------|---------------|-----------------|-------------------------------|---------------------------------|------------|-----------------|
| QFP | LGA | | | | | | | | |
| 1 | A1 | | P9_4 | | TB4IN | CTS4/RTS4/SS4 | | DA1 | |
| 2 | E4 | | P9_3 | | TB3IN | | | DA0 | |
| 3 | B1 | VDC0 | | | | | | | |
| 4 | D3 | | P9_1 | | | | | | |
| 5 | C2 | VDC1 | | | | | | | |
| 6 | C1 | NSD | | | | | | | |
| 7 | D2 | CNVSS | | | | | | | |
| 8 | D1 | XCIN | P8_7 | | | | | | |
| 9 | E3 | XCOU | P8_6 | | | | | | |
| 10 | E2 | RESET | | | | | | | |
| 11 | E1 | XOUT | | | | | | | |
| 12 | F3 | VSS | | | | | | | |
| 13 | F2 | XIN | | | | | | | |
| 14 | F1 | VCC1 | | | | | | | |
| 15 | G2 | | P8_5 | NMI | | | | | |
| 16 | F5 | | P8_4 | INT2 | | | | | |
| 17 | G3 | | P8_3 | INT1 | | | | | |
| 18 | G1 | | P8_2 | INT0 | | | | | |
| 19 | F4 | | P8_1 | | TA4IN/U | CTS5/RTS5/SS5 | IIO1_5/UD0B/UD1B | | |
| 20 | H1 | | P8_0 | | TA4OUT/U | RXD5/SCL5/STXD5 | UD0A/UD1A | | |
| 21 | H2 | | P7_7 | | TA3IN | CLK5 | IIO1_4/UD0B/UD1B | | |
| 22 | G4 | | P7_6 | | TA3OUT | TXD5/SDA5/ SRXD5/CTS8/RTS8 | IIO1_3/UD0A/UD1A | | |
| 23 | H3 | | P7_5 | | TA2IN/W | RXD8 | IIO1_2 | | |
| 24 | J1 | | P7_4 | | TA2OUT/W | CLK8 | IIO1_1 | | |
| 25 | J2 | | P7_3 | | TA1IN/V | CTS2/RTS2/SS2/ TXD8 | IIO1_0 | | |
| 26 | K1 | | P7_2 | | TA1OUT/V | CLK2 | | | |
| 27 | K2 | | P7_1 | | TA0IN/ TB5IN | RXD2/SCL2/STXD2 | IIO1_7/OUTC2_2/ ISRXD2/IEIN | | |
| 28 | J3 | | P7_0 | | TA0OUT | TXD2/SDA2/SRXD2 | IIO1_6/OUTC2_0/ ISTXD2/IEOUT | | |
| 29 | H4 | | P6_7 | | | TXD1/SDA1/SRXD1 | | | |
| 30 | K3 | | P6_6 | | | RXD1/SCL1/STXD1 | | | |
| 31 | G5 | | P6_5 | | | CLK1 | | | |
| 32 | J4 | | P6_4 | | | CTS1/RTS1/SS1 | OUTC2_1/ISCLK2 | | |
| 33 | K4 | | P6_3 | | | TXD0/SDA0/SRXD0 | | | |
| 34 | H5 | | P6_2 | | TB2IN | RXD0/SCL0/STXD0 | | | |
| 35 | J5 | | P6_1 | | TB1IN | CLK0 | | | |
| 36 | K5 | | P6_0 | | TB0IN | CTS0/RTS0/SS0 | | | |
| 37 | G6 | | P5_7 | | | CTS7/RTS7 | | | RDY/CS3 |
| 38 | H6 | | P5_6 | | | RXD7 | | | ALE/CS2 |
| 39 | J6 | | P5_5 | | | CLK7 | | | HOLD |

Table 1.7 Pin Characteristics for the 100-pin Package (2/3)

| Pin No. | | Control Pin | Port | Interrupt Pin | Timer Pin | UART Pin | Intelligent I/O Pin | Analog Pin | Bus Control Pin |
|---------|-----|-------------|------|---------------|-----------|-----------------|--------------------------|------------|----------------------|
| QFP | LGA | | | | | | | | |
| 40 | K6 | | P5_4 | | | TXD7 | | | HLDA/CS1 |
| 41 | H7 | | P5_3 | | | | | | CLKOUT/ BCLK |
| 42 | J7 | | P5_2 | | | | | | RD |
| 43 | K7 | | P5_1 | | | | | | WR1/BC1 |
| 44 | K8 | | P5_0 | | | | | | WR0/WR |
| 45 | G7 | | P4_7 | | | TXD6/SDA6/SRXD6 | | | CS0/A23 |
| 46 | J8 | | P4_6 | | | RXD6/SCL6/STXD6 | | | CS1/A22 |
| 47 | H8 | | P4_5 | | | CLK6 | | | CS2/A21 |
| 48 | G8 | | P4_4 | | | CTS6/RTS6/SS6 | | | CS3/A20 |
| 49 | K9 | | P4_3 | | | TXD3/SDA3/SRXD3 | OUTC2_0/ISTXD2/ IEOUT | | A19 |
| 50 | K10 | | P4_2 | | | RXD3/SCL3/STXD3 | ISRXD2/IEIN | | A18 |
| 51 | J10 | | P4_1 | | | CLK3 | | | A17 |
| 52 | J9 | | P4_0 | | | CTS3/RTS3/SS3 | | | A16 |
| 53 | H9 | | P3_7 | | TA4IN/U | | | | A15(/D15) |
| 54 | H10 | | P3_6 | | TA4OUT/U | | | | A14(/D14) |
| 55 | F6 | | P3_5 | | TA2IN/W | | | | A13(/D13) |
| 56 | F7 | | P3_4 | | TA2OUT/W | | | | A12(/D12) |
| 57 | G9 | | P3_3 | | TA1IN/V | | | | A11(/D11) |
| 58 | G10 | | P3_2 | | TA1OUT/V | | | | A10(/D10) |
| 59 | F8 | | P3_1 | | TA3OUT | | UD0B/UD1B | | A9(/D9) |
| 60 | F9 | VCC2 | | | | | | | |
| 61 | F10 | | P3_0 | | TA0OUT | | UD0A/UD1A | | A8(/D8) |
| 62 | E8 | VSS | | | | | | | |
| 63 | E9 | | P2_7 | | | | | AN2_7 | A7(/D7) |
| 64 | E10 | | P2_6 | | | | | AN2_6 | A6(/D6) |
| 65 | E7 | | P2_5 | | | | | AN2_5 | A5(/D5) |
| 66 | D7 | | P2_4 | | | | | AN2_4 | A4(/D4) |
| 67 | D8 | | P2_3 | | | | | AN2_3 | A3(/D3) |
| 68 | D10 | | P2_2 | | | | | AN2_2 | A2(/D2) |
| 69 | D9 | | P2_1 | | | | | AN2_1 | A1(/D1) |
| 70 | C10 | | P2_0 | | | | | AN2_0 | A0(/D0)/ BC0(/D0) |
| 71 | C9 | | P1_7 | INT5 | | | IIO0_7/IIO1_7 | | D15 |
| 72 | E6 | | P1_6 | INT4 | | | IIO0_6/IIO1_6 | | D14 |
| 73 | B9 | | P1_5 | INT3 | | | IIO0_5/IIO1_5 | | D13 |
| 74 | B10 | | P1_4 | | | | IIO0_4/IIO1_4 | | D12 |
| 75 | A10 | | P1_3 | | | | IIO0_3/IIO1_3 | | D11 |
| 76 | A9 | | P1_2 | | | | IIO0_2/IIO1_2 | | D10 |
| 77 | C8 | | P1_1 | | | | IIO0_1/IIO1_1 | | D9 |
| 78 | C7 | | P1_0 | | | | IIO0_0/IIO1_0 | | D8 |
| 79 | A8 | | P0_7 | | | | | AN0_7 | D7 |

Table 1.8 Pin Characteristics for the 100-pin Package (3/3)

| Pin No. | | Control Pin | Port | Interrupt Pin | Timer Pin | UART Pin | Intelligent I/O Pin | Analog Pin | Bus Control Pin |
|---------|-----|-------------|-------|---------------|-----------|-----------------|---------------------|------------|-----------------|
| QFP | LGA | | | | | | | | |
| 80 | B8 | | P0_6 | | | | | AN0_6 | D6 |
| 81 | D6 | | P0_5 | | | | | AN0_5 | D5 |
| 82 | B7 | | P0_4 | | | | | AN0_4 | D4 |
| 83 | A7 | | P0_3 | | | | | AN0_3 | D3 |
| 84 | B6 | | P0_2 | | | | | AN0_2 | D2 |
| 85 | C6 | | P0_1 | | | | | AN0_1 | D1 |
| 86 | E5 | | P0_0 | | | | | AN0_0 | D0 |
| 87 | D5 | | P10_7 | KI3 | | | | AN_7 | |
| 88 | A6 | | P10_6 | KI2 | | | | AN_6 | |
| 89 | B5 | | P10_5 | KI1 | | | | AN_5 | |
| 90 | A5 | | P10_4 | KI0 | | | | AN_4 | |
| 91 | C5 | | P10_3 | | | | | AN_3 | |
| 92 | B4 | | P10_2 | | | | | AN_2 | |
| 93 | A4 | | P10_1 | | | | | AN_1 | |
| 94 | C4 | AVSS | | | | | | | |
| 95 | D4 | | P10_0 | | | | | AN_0 | |
| 96 | A3 | VREF | | | | | | | |
| 97 | B3 | AVCC | | | | | | | |
| 98 | C3 | | P9_7 | | | RXD4/SCL4/STXD4 | | ADTRG | |
| 99 | B2 | | P9_6 | | | TXD4/SDA4/SRXD4 | | ANEX1 | |
| 100 | A2 | | P9_5 | | | CLK4 | | ANEX0 | |



Figure 1.6 Pin Assignment for the 64-pin Package (top view)

Table 1.9 Pin Characteristics for the 64-pin Package (1/2)

| Pin No. | Control Pin | Port | Interrupt Pin | Timer Pin | UART Pin | Intelligent I/O Pin | Analog Pin |
|---------|-------------|------|---------------|-----------------|-------------------------------|---------------------------------|------------|
| 1 | VDC1 | | | | | | |
| 2 | NSD | | | | | | |
| 3 | CNVSS | | | | | | |
| 4 | XCIN | P8_7 | | | | | |
| 5 | XCOU | P8_6 | | | | | |
| 6 | RESET | | | | | | |
| 7 | XOUT | | | | | | |
| 8 | VSS | | | | | | |
| 9 | XIN | | | | | | |
| 10 | VCC1 | | | | | | |
| 11 | | P8_5 | NMI | | | | |
| 12 | | P8_4 | INT2 | | | | |
| 13 | | P8_3 | INT1 | | | | |
| 14 | | P8_2 | INT0 | | | | |
| 15 | | P8_1 | | TA4IN/U | CTS5/RTS5/SS5 | IIO1_5/UD0B/UD1B | |
| 16 | | P8_0 | | TA4OUT/U | RXD5/SCL5/STXD5 | UD0A/UD1A | |
| 17 | | P7_7 | | TA3IN | CLK5 | IIO1_4/UD0B/UD1B | |
| 18 | | P7_6 | | TA3OUT | TXD5/SDA5/SRXD5/ CTS8/RTS8 | IIO1_3/UD0A/UD1A | |
| 19 | | P7_5 | | TA2IN/W | RXD8 | IIO1_2 | |
| 20 | | P7_4 | | TA2OUT/W | CLK8 | IIO1_1 | |
| 21 | | P7_3 | | TA1IN/V | CTS2/RTS2/SS2/TXD8 | IIO1_0 | |
| 22 | | P7_2 | | TA1OUT/V | CLK2 | | |
| 23 | | P7_1 | | TA0IN/ TB5IN | RXD2/SCL2/STXD2 | IIO1_7/OUTC2_2/ ISRXD2/IEIN | |
| 24 | | P7_0 | | TA0OUT | TXD2/SDA2/SRXD2 | IIO1_6/OUTC2_0/ ISTXD2/IEOUT | |
| 25 | | P6_7 | | | TXD1/SDA1/SRXD1 | | |
| 26 | | P6_6 | | | RXD1/SCL1/STXD1 | | |
| 27 | | P6_5 | | | CLK1 | | |
| 28 | | P6_4 | | | CTS1/RTS1/SS1 | OUTC2_1/ISCLK2 | |
| 29 | | P3_3 | | TA1IN/V | CTS3/RTS3/SS3 | | |
| 30 | | P3_2 | | TA1OUT/V | TXD3/SDA3/SRXD3 | | |
| 31 | | P3_1 | | TA3OUT | RXD3/SCL3/STXD3 | UD0B/UD1B | |
| 32 | | P3_0 | | TA0OUT | CLK3 | UD0A/UD1A | |
| 33 | | P6_3 | | | TXD0/SDA0/SRXD0 | | |
| 34 | | P6_2 | | TB2IN | RXD0/SCL0/STXD0 | | |
| 35 | | P6_1 | | TB1IN | CLK0 | | |
| 36 | | P6_0 | | TB0IN | CTS0/RTS0/SS0 | | |
| 37 | | P2_7 | | | | IIO0_7 | AN2_7 |
| 38 | | P2_6 | | | | IIO0_6 | AN2_6 |
| 39 | | P2_5 | | | | IIO0_5 | AN2_5 |
| 40 | | P2_4 | | | | IIO0_4 | AN2_4 |

Table 1.10 Pin Characteristics for the 64-pin Package (2/2)

| Pin No. | Control Pin | Port | Interrupt Pin | Timer Pin | UART Pin | Intelligent I/O Pin | Analog Pin |
|---------|-------------|-------|--------------------------|-----------|----------|---------------------|---------------------------|
| 41 | | P2_3 | | | | IIO0_3 | AN2_3 |
| 42 | | P2_2 | | | | IIO0_2 | AN2_2 |
| 43 | | P2_1 | | | | IIO0_1 | AN2_1 |
| 44 | | P2_0 | | | | IIO0_0 | AN2_0 |
| 45 | | P1_7 | $\overline{\text{INT5}}$ | | | IIO0_7/IIO1_7 | |
| 46 | | P1_6 | $\overline{\text{INT4}}$ | | | IIO0_6/IIO1_6 | |
| 47 | | P1_5 | $\overline{\text{INT3}}$ | | | IIO0_5/IIO1_5 | $\overline{\text{ADTRG}}$ |
| 48 | | P0_3 | | | | | AN0_3 |
| 49 | | P0_2 | | | | | AN0_2 |
| 50 | | P0_1 | | | | | AN0_1 |
| 51 | | P0_0 | | | | | AN0_0 |
| 52 | | P10_7 | $\overline{\text{KI3}}$ | | | | AN_7 |
| 53 | | P10_6 | $\overline{\text{KI2}}$ | | | | AN_6 |
| 54 | | P10_5 | $\overline{\text{KI1}}$ | | | | AN_5 |
| 55 | | P10_4 | $\overline{\text{KI0}}$ | | | | AN_4 |
| 56 | | P10_3 | | | | | AN_3 |
| 57 | | P10_2 | | | | | AN_2 |
| 58 | | P10_1 | | | | | AN_1 |
| 59 | AVSS | | | | | | |
| 60 | | P10_0 | | | | | AN_0 |
| 61 | VREF | | | | | | |
| 62 | AVCC | | | | | | |
| 63 | | P9_3 | | TB3IN | | | DA0 |
| 64 | VDC0 | | | | | | |

1.5 Pin Definitions and Functions

Tables 1.11 to 1.17 show the pin definitions and functions.

Table 1.11 Pin Definitions and Functions for the 100-pin Package (1/4)

| Function | Symbol | I/O | Power Supply | Description |
|--|-----------------|-----|--------------|---|
| Power supply | VCC1, VCC2, VSS | I | — | Applicable as follows: VCC1 and VCC2 = 3.0 to 5.5 V ($VCC1 \geq VCC2$), VSS = 0 V |
| Connecting pins for decoupling capacitor | VDC0, VDC1 | — | — | A decoupling capacitor for internal voltage should be connected between VDC0 and VDC1 |
| Analog power supply | AVCC, AVSS | I | VCC1 | Power supply for the A/D converter. AVCC and AVSS should be connected to VCC1 and VSS, respectively |
| Reset input | RESET | I | VCC1 | The MCU is reset when this pin is driven low |
| CNVSS | CNVSS | I | VCC1 | This pin should be connected to VSS via a resistor |
| Debug port | NSD | I/O | VCC1 | This pin is to communicate with a debugger. It should be connected to VCC1 via a resistor of 1 to 4.7 k Ω |
| Main clock input | XIN | I | VCC1 | Input/output for the main clock oscillator. A crystal, or a ceramic resonator should be connected between pins XIN and XOUT. An external clock should be input at the XIN while leaving the XOUT open |
| Main clock output | XOUT | O | VCC1 | |
| Sub clock input | XCIN | I | VCC1 | Input/output for the sub clock oscillator. A crystal oscillator should be connected between pins XCIN and XCOU. An external clock should be input at the XCIN while leaving the XCOU open |
| Sub clock output | XCOU | O | VCC1 | |
| BCLK output | BCLK | O | VCC2 | BCLK output |
| Clock output | CLKOUT | O | VCC2 | Output of the clock with the same frequency as low speed clocks, f8, or f32 |
| External interrupt input | INT0 to INT5 | I | VCC1 VCC2 | Input for external interrupts |
| NMI input | P8_5/NMI | I | VCC1 | Input for NMI |
| Key input interrupt | KI0 to KI3 | I | VCC1 | Input for the key input interrupt |
| Bus control pins | D0 to D7 | I/O | VCC2 | Input/output of data (D0 to D7) while accessing an external memory space with a separate bus |
| | D8 to D15 | I/O | VCC2 | Input/output of data (D8 to D15) while accessing an external memory space with 16-bit separate bus |
| | A0 to A23 | O | VCC2 | Output of address bits A0 to A23 |

Table 1.12 Pin Definitions and Functions for the 100-pin Package (2/4)

| Function | Symbol | I/O | Power Supply | Description |
|------------------|---|-----|--------------|--|
| Bus control pins | A0/D0 to A7/D7 | I/O | VCC2 | Output of address bits (A0 to A7) and input/output of data (D0 to D7) by time-division while accessing an external memory space with multiplexed bus |
| | A8/D8 to A15/D15 | I/O | VCC2 | Output of address bits (A8 to A15) and input/output of data (D8 to D15) by time-division while accessing an external memory space with 16-bit multiplexed bus |
| | $\overline{BC0}/D0$ | I/O | VCC2 | Output of byte control ($\overline{BC0}$) and input/output of data (D0) by time-division while accessing an external memory space with multiplexed bus |
| | $\overline{CS0}$ to $\overline{CS3}$ | O | VCC2 | Chip select output |
| | $\overline{WR0}/\overline{WR1}/\overline{WR}/\overline{BC0}/\overline{BC1}/\overline{RD}$ | O | VCC2 | Output of write, byte control, and read signals. Either \overline{WRx} or \overline{WR} and \overline{BCx} can be selected by a program. Data is read when \overline{RD} is low. <ul style="list-style-type: none"> • When $\overline{WR0}$, $\overline{WR1}$, and \overline{RD} are selected, data is written to the following address: an even address, when $\overline{WR0}$ is low an odd address, when $\overline{WR1}$ is low on 16-bit external data bus • When \overline{WR}, $\overline{BC0}$, $\overline{BC1}$, and \overline{RD} are selected, data is written, when \overline{WR} is low and the following address is accessed: an even address, when $\overline{BC0}$ is low an odd address, when $\overline{BC1}$ is low on 16-bit external data bus |
| | ALE | O | VCC2 | Latch enable signal in multiplexed bus format |
| | \overline{HOLD} | I | VCC2 | The MCU is in a hold state while this pin is held low |
| | HLDA | O | VCC2 | This pin is driven low while the MCU is held in a hold state |
| | \overline{RDY} | I | VCC2 | Bus cycle is extended by the CPU if this pin is low on the falling edge of BCLK |

Table 1.13 Pin Definitions and Functions for the 100-pin Package (3/4)

| Function | Symbol | I/O | Power Supply | Description |
|--|--|-----|--------------|---|
| I/O port | P0_0 to P0_7, P1_0 to P1_7, P2_0 to P2_7, P3_0 to P3_7, P4_0 to P4_7, P5_0 to P5_7, | I/O | VCC2 | I/O ports in CMOS. Each port can be programmed to input or output under the control of the direction register. Pull-up resistors are selected for the following 4-pin units: Pi_0 to Pi_3 and Pi_4 to Pi_7 (i = 0 to 10); however, they are enabled only for the input pins. |
| | P6_0 to P6_7, P7_0 to P7_7, P8_0 to P8_4, P8_6, P8_7, P9_3 to P9_7, P10_0 to P10_7 | I/O | VCC1 | P7_0 and P7_1 outputs are N-channel open drain |
| Input port | P9_1 | I | VCC1 | Input port in CMOS. Pull-up resistors are selectable for P9_1 and P9_3 |
| Timer A | TA0OUT to TA4OUT | I/O | VCC1 VCC2 | Timers A0 to A4 input/output. TA0OUT output assigned for port P7_0 is N-channel open drain |
| | TA0IN to TA4IN | I | VCC1 VCC2 | Timers A0 to A4 input |
| Timer B | TB0IN to TB5IN | I | VCC1 | Timers B0 to B5 input |
| Three-phase motor control timer output | U, \bar{U} , V, \bar{V} , W, \bar{W} | O | VCC1 VCC2 | Three-phase motor control timer output |
| Serial interface | $\overline{CTS0}$ to $\overline{CTS8}$ | I | VCC1 VCC2 | Handshake input |
| | $\overline{RTS0}$ to $\overline{RTS8}$ | O | VCC1 VCC2 | Handshake output |
| | CLK0 to CLK8 | I/O | VCC1 VCC2 | Transmit/receive clock input/output |
| | RXD0 to RXD8 | I | VCC1 VCC2 | Serial data input |
| | TXD0 to TXD8 | O | VCC1 VCC2 | Serial data output. TXD2 output is N-channel open drain |
| I ² C-bus (simplified) | SDA0 to SDA6 | I/O | VCC1 VCC2 | Serial data input/output. SDA2 output is N-channel open drain |
| | SCL0 to SCL6 | I/O | VCC1 VCC2 | Transmit/receive clock input/output. SCL2 output is N-channel open drain |

Table 1.14 Pin Definitions and Functions for the 100-pin Package (4/4)

| Function | Symbol | I/O | Power Supply | Description |
|------------------------------------|--------------------------------------|-----|--------------|---|
| Serial interface special functions | STXD0 to STXD6 | O | VCC1 VCC2 | Serial data output in slave mode. STXD2 is N-channel open drain |
| | SRXD0 to SRXD6 | I | VCC1 VCC2 | Serial data input in slave mode |
| | $\overline{SS}0$ to $\overline{SS}6$ | I | VCC1 VCC2 | Input to control serial interface special functions |
| A/D converter | AN_0 to AN_7 | I | VCC1 | Analog input for the A/D converter |
| | AN0_0 to AN0_7, AN2_0 to AN2_7 | I | VCC2 | |
| | ADTRG | I | VCC1 | External trigger input for the A/D converter |
| | ANEX0 | I/O | VCC1 | Expanded analog input for the A/D converter and output in external op-amp connection mode |
| | ANEX1 | I | VCC1 | Expanded analog input for the A/D converter |
| D/A converter | DA0, DA1 | O | VCC1 | Output for the D/A converter |
| Reference voltage input | VREF | I | – | Reference voltage input for the A/D converter and D/A converter |
| Intelligent I/O | IIO0_0 to IIO0_7 | I/O | VCC1 VCC2 | Input/output for Intelligent I/O group 0. Either input capture or output compare is selectable |
| | IIO1_0 to IIO1_7 | I/O | VCC1 VCC2 | Input/output for Intelligent I/O group 1. Either input capture or output compare is selectable. IIO1_6 and IIO1_7 outputs assigned for ports P7_0 and P7_1 are N-channel open drain |
| | UD0A, UD0B, UD1A, UD1B | I | VCC1 VCC2 | Input for the two-phase encoder |
| | OUTC2_0 to OUTC2_2 | O | VCC1 VCC2 | Output for OC (output compare) of Intelligent I/O group 2. OUTC2_0 and OUTC2_2 assigned for ports P7_0 and P7_1 are N-channel open drain |
| | ISCLK2 | I/O | VCC1 VCC2 | Clock input/output for the serial interface |
| | ISRXD2 | I | | Receive data input for the serial interface |
| | ISTXD2 | O | | Transmit data output for the serial interface. ISTXD2 assigned for port P7_0 is N-channel open drain |
| | IEIN | I | VCC1 VCC2 | Receive data input for the serial interface |
| | IEOUT | O | | Transmit data output for the serial interface. IEOUT assigned for port P7_0 is N-channel open drain |

Table 1.15 Pin Definitions and Functions for 64-pin Package (1/3)

| Function | Symbol | I/O | Description |
|--|---|-----|---|
| Power supply | VCC1, VSS | I | Applicable as follows: VCC1 = 3.0 to 5.5 V, VSS = 0 V |
| Connecting pins for decoupling capacitor | VDC0, VDC1 | — | A decoupling capacitor for internal voltage should be connected between VDC0 and VDC1 |
| Analog power supply | AVCC, AVSS | I | Power supply for the A/D converter. AVCC and AVSS should be connected to VCC and VSS, respectively |
| Reset input | $\overline{\text{RESET}}$ | I | The MCU is reset when this pin is driven low |
| CNVSS | CNVSS | I | This pin should be connected to VSS via a resistor |
| Debug port | NSD | I/O | This pin is to communicate with a debugger. It should be connected to VCC1 via a resistor of 1 to 4.7 k Ω |
| Main clock input | XIN | I | Input/output for the main clock oscillator. A crystal, or a ceramic resonator should be connected between pins XIN and XOUT. An external clock should be input at the XIN while leaving the XOUT open |
| Main clock output | XOUT | O | |
| Sub clock input | XCIN | I | Input/output for the sub clock oscillator. A crystal oscillator should be connected between pins XCIN and XCOU. An external clock should be input at the XCIN while leaving the XCOU open |
| Sub clock output | XCOU | O | |
| External interrupt input | INT0 to INT5 | I | Input for external interrupts |
| NMI input | P8_5/ $\overline{\text{NMI}}$ | I | Input for NMI |
| Key input interrupt | KI0 to KI3 | I | Input for the key input interrupt |
| I/O port | P0_0 to P0_3, P1_5 to P1_7, P2_0 to P2_7, P3_0 to P3_3, P6_0 to P6_7, P7_0 to P7_7, P8_0 to P8_4, P8_6, P8_7, P9_3, P10_0 to P10_7 | I/O | I/O ports in CMOS. Each port can be programmed to input or output under the control of the direction register. Pull-up resistors are selected for the following 4-pin units: Pi_0 to Pi_3 and Pi_4 to Pi_7 (i = 0 to 3, 6 to 10); however, they are enabled only for the input pins. P7_0 and P7_1 outputs are N-channel open drain |
| Timer A | TA0OUT to TA4OUT | I/O | Timers A0 to A4 input/output. TA0OUT output assigned for port P7_0 is N-channel open drain |
| | TA0IN to TA4IN | I | Timers A0 to A4 input |
| Timer B | TB0IN to TB3IN, TB5IN | I | Timers B0 to B3, and B5 input |
| Three-phase motor control timer output | U, \overline{U} , V, \overline{V} , W, \overline{W} | O | Three-phase motor control timer output |

Table 1.16 Pin Definitions and Functions for the 64-pin Package (2/3)

| Function | Symbol | I/O | Description |
|---------------------------------------|---|-----|---|
| Serial interface | $\overline{\text{CTS0}}$ to $\overline{\text{CTS3}}$, $\overline{\text{CTS5}}$, $\overline{\text{CTS8}}$ | I | Handshake input |
| | $\overline{\text{RTS0}}$ to $\overline{\text{RTS3}}$, $\overline{\text{RTS5}}$, $\overline{\text{RTS8}}$ | O | Handshake output |
| | CLK0 to CLK3, CLK5, CLK8 | I/O | Transmit/receive clock input/output |
| | RXD0 to RXD3, RXD5, RXD8 | I | Serial data input |
| | TXD0 to TXD3, TXD5, TXD8 | O | Serial data output. TXD2 output is N-channel open drain |
| I ² C-bus (simplified) | SDA0 to SDA3, SDA5 | I/O | Serial data input/output. SDA2 output is N-channel open drain |
| | SCL0 to SCL3, SCL5 | I/O | Transmit/receive clock input/output. SCL2 output is N-channel open drain |
| Serial interface special functions | STXD0 to STXD3, STXD5 | O | Serial data output in slave mode. STXD2 is N-channel open drain |
| | SRXD0 to SRXD3, SRXD5 | I | Serial data input in slave mode |
| | $\overline{\text{SS0}}$ to $\overline{\text{SS3}}$, $\overline{\text{SS5}}$ | I | Input to control serial interface special functions |
| A/D converter | AN_0 to AN_7, AN0_0 to AN0_3, AN2_0 to AN2_7 | I | Analog input for the A/D converter |
| | ADTRG | I | External trigger input for the A/D converter |
| D/A converter | DA0 | O | Output for the D/A converter |
| Reference voltage input | VREF | I | Reference voltage input for the A/D converter and D/A converter |

Table 1.17 Pin Definitions and Functions for the 64-pin Package (3/3)

| Function | Symbol | I/O | Description |
|-----------------|------------------------|-----|---|
| Intelligent I/O | IIO0_0 to IIO0_7 | I/O | Input/output for Intelligent I/O group 0. Either input capture or output compare is selectable |
| | IIO1_0 to IIO1_7 | I/O | Input/output for Intelligent I/O group 1. Either input capture or output compare is selectable. IIO1_6 and IIO1_7 outputs assigned for ports P7_0 and P7_1 are N-channel open drain |
| | UD0A, UD0B, UD1A, UD1B | I | Input for the two-phase encoder |
| | OUTC2_0 to OUTC2_2 | O | Output for OC (output compare) of Intelligent I/O group 2. OUTC2_0 and OUTC2_2 assigned for ports P7_0 and P7_1 are N-channel open drain |
| | ISCLK2 | I/O | Clock input/output for the serial interface |
| | ISRXD2 | I | Receive data input for the serial interface |
| | ISTXD2 | O | Transmit data output for the serial interface. ISTXD2 assigned for port P7_0 is N-channel open drain |
| | IEIN | I | Receive data input for the serial interface |
| | IEOUT | O | Transmit data output for the serial interface. IEOUT assigned for port P7_0 is N-channel open drain |

2. Central Processing Unit (CPU)

The CPU contains the registers shown below. There are two register banks each consisting of registers R2R0, R3R1, R6R4, R7R5, A0 to A3, SB, and FB.

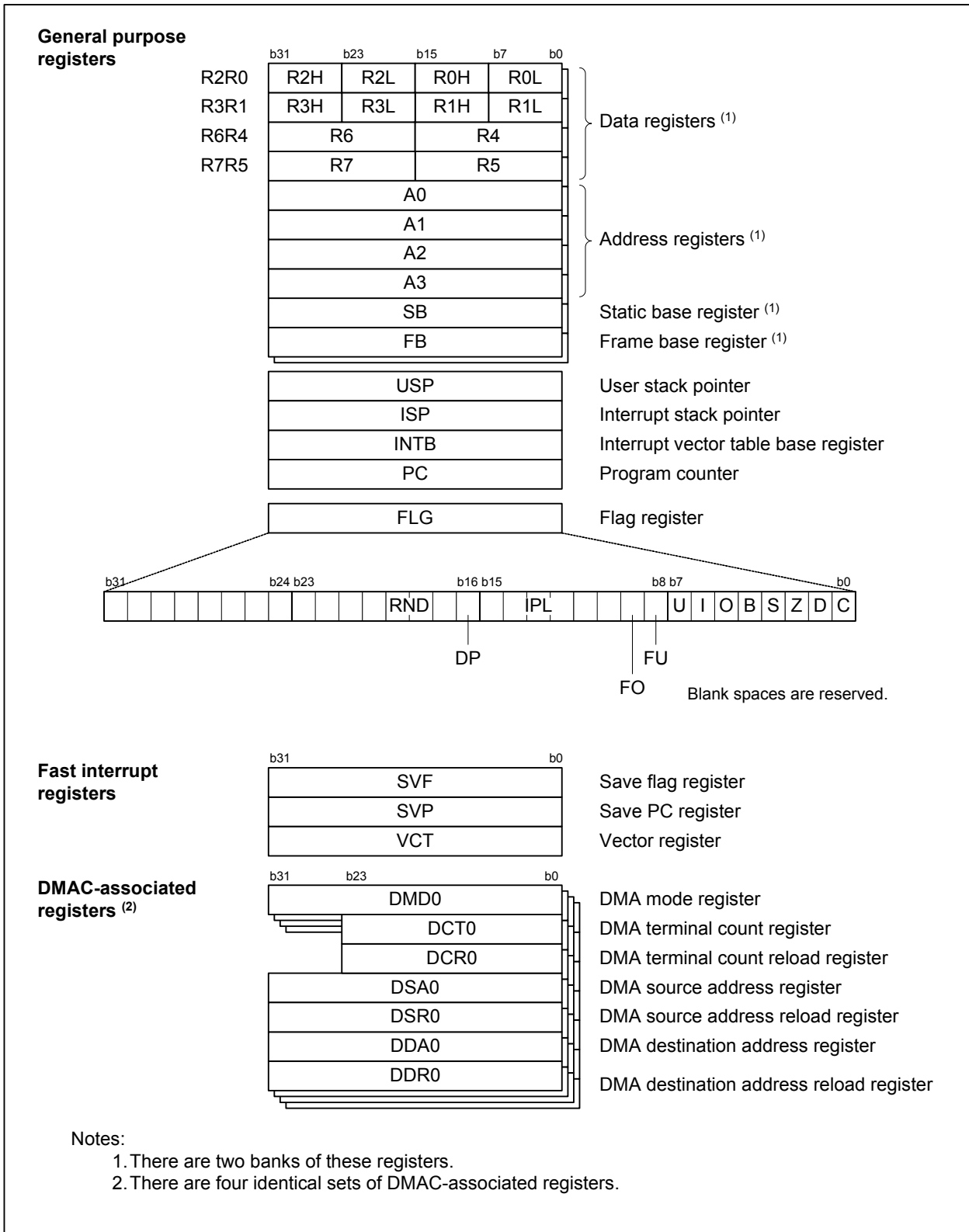


Figure 2.1 CPU Registers

2.1 General Purpose Registers

2.1.1 Data Registers (R2R0, R3R1, R6R4, and R7R5)

These 32-bit registers are primarily used for transfers and arithmetic/logic operations.

Each of the registers can be divided into upper and lower 16-bit registers, e.g. R2R0 can be divided into R2 and R0, R3R1 can be divided into R3 and R1, etc.

Moreover, data registers R2R0 and R3R1 can be divided into four 8-bit data registers: upper (R2H and R3H), mid-upper (R2L and R3L), mid-lower (R0H and R1H), and lower (R0L and R1L).

2.1.2 Address Registers (A0, A1, A2, and A3)

These 32-bit registers have functions similar to data registers. They are also used for address register indirect addressing and address register relative addressing.

2.1.3 Static Base Register (SB)

This 32-bit register is used for SB relative addressing.

2.1.4 Frame Base Register (FB)

This 32-bit register is used for FB relative addressing.

2.1.5 Program Counter (PC)

This 32-bit counter indicates the address of the instruction to be executed next.

2.1.6 Interrupt Vector Table Base Register (INTB)

This 32-bit register indicates the start address of a relocatable vector table.

2.1.7 User Stack Pointer (USP) and Interrupt Stack Pointer (ISP)

Two types of 32-bit stack pointers (SPs) are provided: user stack pointer (USP) and interrupt stack pointer (ISP).

Use the stack pointer select flag (U flag) to select either the user stack pointer (USP) or the interrupt stack pointer (ISP). The U flag is bit 7 in the flag register (FLG). Refer to 2.1.8 "Flag Register (FLG)" for details.

To minimize the overhead of interrupt sequence due to less memory access, set the user stack pointer (USP) or the interrupt stack pointer (ISP) to a multiple of 4.

2.1.8 Flag Register (FLG)

This 32-bit register indicates the CPU status.

2.1.8.1 Carry Flag (C flag)

This flag retains a carry, borrow, or shifted-out bit generated by the arithmetic logic unit (ALU).

2.1.8.2 Debug Flag (D flag)

This flag is only for debugging. Only set this bit to 0.

2.1.8.3 Zero Flag (Z flag)

This flag becomes 1 when the result of an operation is 0; otherwise it is 0.

2.1.8.4 Sign Flag (S flag)

This flag becomes 1 when the result of an operation is a negative value; otherwise it is 0.

2.1.8.5 Register Bank Select Flag (B flag)

This flag selects a register bank. It indicates 0 when register bank 0 is selected, and 1 when register bank 1 is selected.

2.1.8.6 Overflow Flag (O flag)

This flag becomes 1 when the result of an operation overflows; otherwise it is 0.

2.1.8.7 Interrupt Enable Flag (I flag)

This flag enables maskable interrupts. To disable maskable interrupts, set this flag to 0. To enable them, set this flag to 1. When an interrupt is accepted, the flag becomes 0.

2.1.8.8 Stack Pointer Select Flag (U flag)

To select the interrupt stack pointer (ISP), set this flag to 0. To select the user stack pointer (USP), set this flag to 1.

It becomes 0 when a hardware interrupt is accepted or when an INT instruction designated by a software interrupt number from 0 to 127 is executed.

2.1.8.9 Floating-point Underflow Flag (FU flag)

This flag becomes 1 when an underflow occurs in a floating-point operation; otherwise it is 0. It also becomes 1 when the operand contains invalid numbers (subnormal numbers).

2.1.8.10 Floating-point Overflow Flag (FO flag)

This flag becomes 1 when an overflow occurs in a floating-point operation; otherwise it is 0. It also becomes 1 when the operand contains invalid numbers (subnormal numbers).

2.1.8.11 Processor Interrupt Priority Level (IPL)

The processor interrupt priority level (IPL), consisting of 3 bits, selects a processor interrupt priority level from level 0 to 7. An interrupt is enabled when the interrupt request level is higher than the selected IPL.

When the processor interrupt priority level (IPL) is set to 111b (level 7), all interrupts are disabled.

2.1.8.12 Fixed-point Radix Point Designation Bit (DP bit)

This bit designates the radix point. It also specifies which portion of the fixed-point multiplication result to extract. It is used for the MULX instruction.

2.1.8.13 Floating-point Rounding Mode (RND)

The 2-bit floating-point rounding mode selects a rounding mode for floating-point calculation results.

2.1.8.14 Reserved

Only set this bit to 0. The read value is undefined.

2.2 Fast Interrupt Registers

The following three registers are provided to minimize the overhead of the interrupt sequence.

2.2.1 Save Flag Register (SVF)

This 32-bit register is used to save the flag register when a fast interrupt occurs.

2.2.2 Save PC Register (SVP)

This 32-bit register is used to save the program counter when a fast interrupt occurs.

2.2.3 Vector Register (VCT)

This 32-bit register is used to indicate a jump address when a fast interrupt occurs.

2.3 DMAC-associated Registers

There are seven types of DMAC-associated registers.

2.3.1 DMA Mode Registers (DMD0, DMD1, DMD2, and DMD3)

These 32-bit registers are used to set DMA transfer mode, bit rate, etc.

2.3.2 DMA Terminal Count Registers (DCT0, DCT1, DCT2, and DCT3)

These 24-bit registers are used to set the number of DMA transfers.

2.3.3 DMA Terminal Count Reload Registers (DCR0, DCR1, DCR2, and DCR3)

These 24-bit registers are used to set the reloaded values for DMA terminal count registers.

2.3.4 DMA Source Address Registers (DSA0, DSA1, DSA2, and DSA3)

These 32-bit registers are used to set DMA source addresses.

2.3.5 DMA Source Address Reload Registers (DSR0, DSR1, DSR2, and DSR3)

These 32-bit registers are used to set the reloaded values for DMA source address registers.

2.3.6 DMA Destination Address Registers (DDA0, DDA1, DDA2, and DDA3)

These 32-bit registers are used to set DMA destination addresses.

2.3.7 DMA Destination Address Reload Registers (DDR0, DDR1, DDR2, and DDR3)

These 32-bit registers are used to set reloaded values for DMA destination address registers.

3. Memory

Figure 3.1 shows the memory map of the R32C/111 Group. The R32C/111 Group provides a 4-Gbyte address space from 00000000h to FFFFFFFFh.

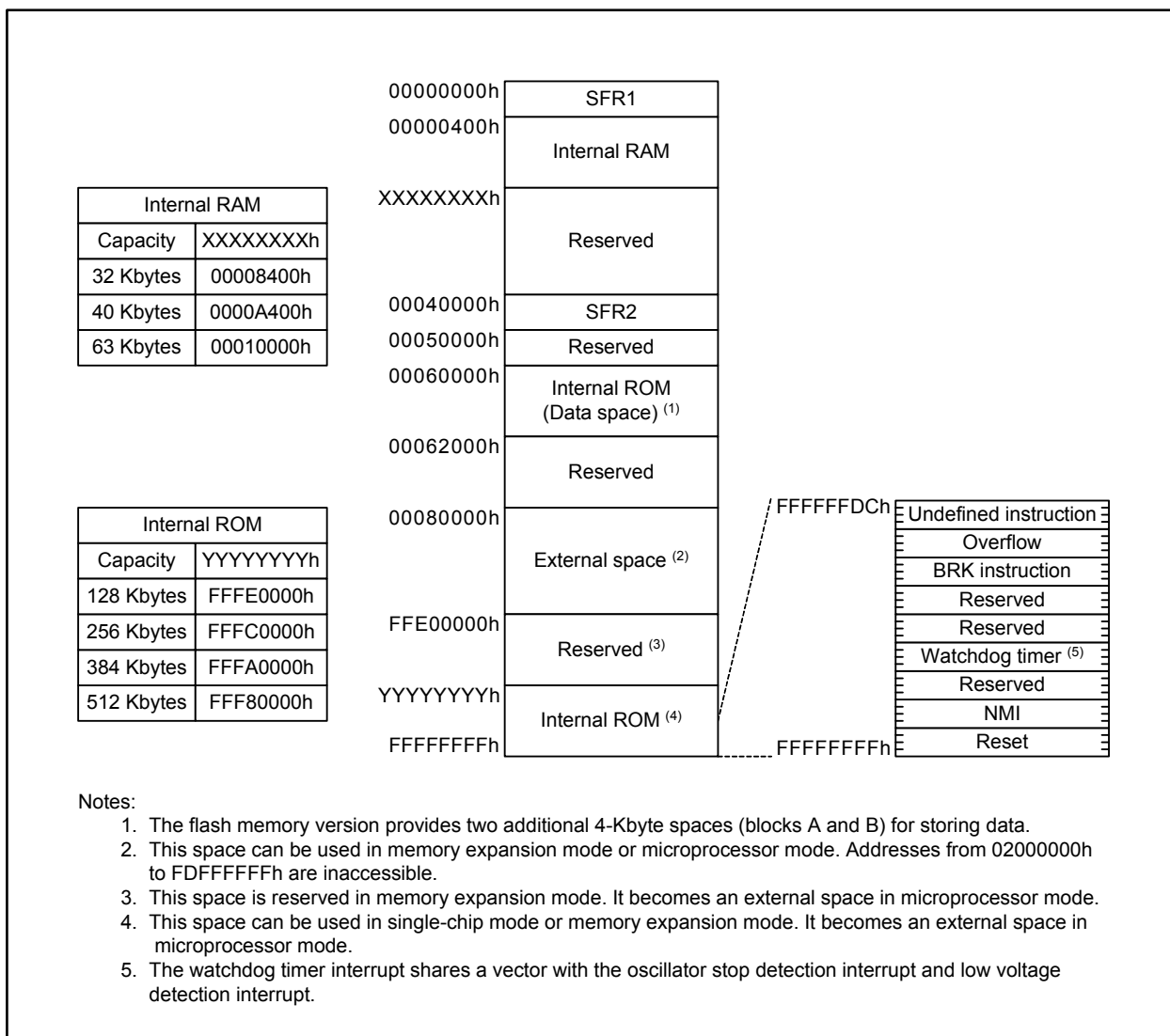
The internal ROM is mapped from address FFFFFFFFh in the inferior direction. For example, the 512-Kbyte internal ROM is mapped from FFF80000h to FFFFFFFFh.

The fixed interrupt vector table contains the start address of interrupt handlers and is mapped from FFFFFFFDCh to FFFFFFFFh.

The internal RAM is mapped from address 00000400h in the superior direction. For example, the 63-Kbyte internal RAM is mapped from 00000400h to 0000FFFFh. Besides being used for data storage, the internal RAM functions as a stack(s) for subroutine calls and/or interrupt handlers.

Special function registers (SFRs), which are control registers for peripheral functions, are mapped from 00000000h to 000003FFh, and from 00040000h to 0004FFFFh. Unoccupied SFR locations are reserved, and no access is allowed.

In memory expansion mode or microprocessor mode, some spaces are reserved for internal use and should not be accessed.



Notes:

1. The flash memory version provides two additional 4-Kbyte spaces (blocks A and B) for storing data.
2. This space can be used in memory expansion mode or microprocessor mode. Addresses from 02000000h to FDFFFFFFFFh are inaccessible.
3. This space is reserved in memory expansion mode. It becomes an external space in microprocessor mode.
4. This space can be used in single-chip mode or memory expansion mode. It becomes an external space in microprocessor mode.
5. The watchdog timer interrupt shares a vector with the oscillator stop detection interrupt and low voltage detection interrupt.

Figure 3.1 Memory Map

4. Special Function Registers (SFRs)

SFRs are memory-mapped peripheral registers that control the operation of peripherals. Tables 4.1 SFR List (1) to 4.24 SFR List (24) list the SFR details.

Table 4.1 SFR List (1)

| Address | Register | Symbol | Reset Value |
|--------------------|---|------------|-------------|
| 000000h | | | |
| 000001h | | | |
| 000002h | | | |
| 000003h | | | |
| 000004h | Clock Control Register | CCR | 0001 1000b |
| 000005h | | | |
| 000006h | Flash Memory Control Register | FMCR | 0000 0001b |
| 000007h | Protect Release Register | PRR | 00h |
| 000008h | | | |
| 000009h | | | |
| 00000Ah | | | |
| 00000Bh | | | |
| 00000Ch | | | |
| 00000Dh | | | |
| 00000Eh | | | |
| 00000Fh | | | |
| 000010h | External Bus Control Register 3/Flash Memory Rewrite Bus Control Register 3 | EBC3/FEBC3 | 0000h |
| 000011h | | | |
| 000012h | Chip Selects 2 and 3 Boundary Setting Register | CB23 | 00h |
| 000013h | | | |
| 000014h | External Bus Control Register 2 | EBC2 | 0000h |
| 000015h | | | |
| 000016h | Chip Selects 1 and 2 Boundary Setting Register | CB12 | 00h |
| 000017h | | | |
| 000018h | External Bus Control Register 1 | EBC1 | 0000h |
| 000019h | | | |
| 00001Ah | Chip Selects 0 and 1 Boundary Setting Register | CB01 | 00h |
| 00001Bh | | | |
| 00001Ch | External Bus Control Register 0/Flash Memory Rewrite Bus Control Register 0 | EBC0/FEBC0 | 0000h |
| 00001Dh | | | |
| 00001Eh | Peripheral Bus Control Register | PBC | 0504h |
| 00001Fh | | | |
| 000020h to 00005Fh | | | |

X: Undefined

Blanks are reserved. No access is allowed.

Table 4.2 SFR List (2)

| Address | Register | Symbol | Reset Value |
|---------|--|---------------|-------------|
| 000060h | | | |
| 000061h | Timer B5 Interrupt Control Register | TB5IC | XXXX X000b |
| 000062h | UART5 Transmit/NACK Interrupt Control Register | S5TIC | XXXX X000b |
| 000063h | UART2 Receive/ACK Interrupt Control Register | S2RIC | XXXX X000b |
| 000064h | UART6 Transmit/NACK Interrupt Control Register | S6TIC | XXXX X000b |
| 000065h | UART3 Receive/ACK Interrupt Control Register | S3RIC | XXXX X000b |
| 000066h | UART5/6 Bus Collision, START Condition/STOP Condition Detection Interrupt Control Register | BCN5IC/BCN6IC | XXXX X000b |
| 000067h | UART4 Receive/ACK Interrupt Control Register | S4RIC | XXXX X000b |
| 000068h | DMA0 Transfer Complete Interrupt Control Register | DM0IC | XXXX X000b |
| 000069h | UART0/3 Bus Collision, START Condition/STOP Condition Detection Interrupt Control Register | BCN0IC/BCN3IC | XXXX X000b |
| 00006Ah | DMA2 Transfer Complete Interrupt Control Register | DM2IC | XXXX X000b |
| 00006Bh | A/D Converter 0 Convert Completion Interrupt Control Register | AD0IC | XXXX X000b |
| 00006Ch | Timer A0 Interrupt Control Register | TA0IC | XXXX X000b |
| 00006Dh | Intelligent I/O Interrupt Control Register 0 | IIO0IC | XXXX X000b |
| 00006Eh | Timer A2 Interrupt Control Register | TA2IC | XXXX X000b |
| 00006Fh | Intelligent I/O Interrupt Control Register 2 | IIO2IC | XXXX X000b |
| 000070h | Timer A4 Interrupt Control Register | TA4IC | XXXX X000b |
| 000071h | Intelligent I/O Interrupt Control Register 4 | IIO4IC | XXXX X000b |
| 000072h | UART0 Receive/ACK Interrupt Control Register | S0RIC | XXXX X000b |
| 000073h | Intelligent I/O Interrupt Control Register 6 | IIO6IC | XXXX X000b |
| 000074h | UART1 Receive/ACK Interrupt Control Register | S1RIC | XXXX X000b |
| 000075h | Intelligent I/O Interrupt Control Register 8 | IIO8IC | XXXX X000b |
| 000076h | Timer B1 Interrupt Control Register | TB1IC | XXXX X000b |
| 000077h | Intelligent I/O Interrupt Control Register 10 | IIO10IC | XXXX X000b |
| 000078h | Timer B3 Interrupt Control Register | TB3IC | XXXX X000b |
| 000079h | | | |
| 00007Ah | INT5 Interrupt Control Register | INT5IC | XX00 X000b |
| 00007Bh | | | |
| 00007Ch | INT3 Interrupt Control Register | INT3IC | XX00 X000b |
| 00007Dh | | | |
| 00007Eh | INT1 Interrupt Control Register | INT1IC | XX00 X000b |
| 00007Fh | | | |
| 000080h | | | |
| 000081h | UART2 Transmit/NACK Interrupt Control Register | S2TIC | XXXX X000b |
| 000082h | UART5 Receive/ACK Interrupt Control Register | S5RIC | XXXX X000b |
| 000083h | UART3 Transmit/NACK Interrupt Control Register | S3TIC | XXXX X000b |
| 000084h | UART6 Receive/ACK Interrupt Control Register | S6RIC | XXXX X000b |
| 000085h | UART4 Transmit/NACK Interrupt Control Register | S4TIC | XXXX X000b |
| 000086h | | | |
| 000087h | UART2 Bus Collision, START Condition/STOP Condition Detection Interrupt Control Register | BCN2IC | XXXX X000b |

X: Undefined

Blanks are reserved. No access is allowed.

Table 4.3 SFR List (3)

| Address | Register | Symbol | Reset Value |
|---------|--|---------------|-------------|
| 000088h | DMA1 Transfer Complete Interrupt Control Register | DM1IC | XXXX X000b |
| 000089h | UART1/4 Bus Collision, START Condition/STOP Condition Detection Interrupt Control Register | BCN1IC/BCN4IC | XXXX X000b |
| 00008Ah | DMA3 Transfer Complete Interrupt Control Register | DM3IC | XXXX X000b |
| 00008Bh | Key Input Interrupt Control Register | KUPIC | XXXX X000b |
| 00008Ch | Timer A1 Interrupt Control Register | TA1IC | XXXX X000b |
| 00008Dh | Intelligent I/O Interrupt Control Register 1 | IIO1IC | XXXX X000b |
| 00008Eh | Timer A3 Interrupt Control Register | TA3IC | XXXX X000b |
| 00008Fh | Intelligent I/O Interrupt Control Register 3 | IIO3IC | XXXX X000b |
| 000090h | UART0 Transmit/NACK Interrupt Control Register | S0TIC | XXXX X000b |
| 000091h | Intelligent I/O Interrupt Control Register 5 | IIO5IC | XXXX X000b |
| 000092h | UART1 Transmit/NACK Interrupt Control Register | S1TIC | XXXX X000b |
| 000093h | Intelligent I/O Interrupt Control Register 7 | IIO7IC | XXXX X000b |
| 000094h | Timer B0 Interrupt Control Register | TB0IC | XXXX X000b |
| 000095h | Intelligent I/O Interrupt Control Register 9 | IIO9IC | XXXX X000b |
| 000096h | Timer B2 Interrupt Control Register | TB2IC | XXXX X000b |
| 000097h | Intelligent I/O Interrupt Control Register 11 | IIO11IC | XXXX X000b |
| 000098h | Timer B4 Interrupt Control Register | TB4IC | XXXX X000b |
| 000099h | | | |
| 00009Ah | INT4 Interrupt Control Register | INT4IC | XX00 X000b |
| 00009Bh | | | |
| 00009Ch | INT2 Interrupt Control Register | INT2IC | XX00 X000b |
| 00009Dh | | | |
| 00009Eh | INT0 Interrupt Control Register | INT0IC | XX00 X000b |
| 00009Fh | | | |
| 0000A0h | Intelligent I/O Interrupt Request Register 0 | IIO0IR | 0000 0XX1b |
| 0000A1h | Intelligent I/O Interrupt Request Register 1 | IIO1IR | 0000 0XX1b |
| 0000A2h | Intelligent I/O Interrupt Request Register 2 | IIO2IR | 0000 0X01b |
| 0000A3h | Intelligent I/O Interrupt Request Register 3 | IIO3IR | 0000 XXX1b |
| 0000A4h | Intelligent I/O Interrupt Request Register 4 | IIO4IR | 000X 0XX1b |
| 0000A5h | Intelligent I/O Interrupt Request Register 5 | IIO5IR | 000X 0XX1b |
| 0000A6h | Intelligent I/O Interrupt Request Register 6 | IIO6IR | 000X 0XX1b |
| 0000A7h | Intelligent I/O Interrupt Request Register 7 | IIO7IR | X00X 0XX1b |
| 0000A8h | Intelligent I/O Interrupt Request Register 8 | IIO8IR | XX0X 0XX1b |
| 0000A9h | Intelligent I/O Interrupt Request Register 9 | IIO9IR | 0000 0XX1b |
| 0000AAh | Intelligent I/O Interrupt Request Register 10 | IIO10IR | 0000 0XX1b |
| 0000ABh | Intelligent I/O Interrupt Request Register 11 | IIO11IR | 0000 0XX1b |
| 0000ACh | | | |
| 0000ADh | | | |
| 0000AEh | | | |
| 0000AFh | | | |

X: Undefined

Blanks are reserved. No access is allowed.

Table 4.4 SFR List (4)

| Address | Register | Symbol | Reset Value |
|---------|--|---------|-------------|
| 0000B0h | Intelligent I/O Interrupt Enable Register 0 | IIO0IE | 00h |
| 0000B1h | Intelligent I/O Interrupt Enable Register 1 | IIO1IE | 00h |
| 0000B2h | Intelligent I/O Interrupt Enable Register 2 | IIO2IE | 00h |
| 0000B3h | Intelligent I/O Interrupt Enable Register 3 | IIO3IE | 00h |
| 0000B4h | Intelligent I/O Interrupt Enable Register 4 | IIO4IE | 00h |
| 0000B5h | Intelligent I/O Interrupt Enable Register 5 | IIO5IE | 00h |
| 0000B6h | Intelligent I/O Interrupt Enable Register 6 | IIO6IE | 00h |
| 0000B7h | Intelligent I/O Interrupt Enable Register 7 | IIO7IE | 00h |
| 0000B8h | Intelligent I/O Interrupt Enable Register 8 | IIO8IE | 00h |
| 0000B9h | Intelligent I/O Interrupt Enable Register 9 | IIO9IE | 00h |
| 0000BAh | Intelligent I/O Interrupt Enable Register 10 | IIO10IE | 00h |
| 0000BBh | Intelligent I/O Interrupt Enable Register 11 | IIO11IE | 00h |
| 0000BCh | | | |
| 0000BDh | | | |
| 0000BEh | | | |
| 0000BFh | | | |
| 0000C0h | | | |
| 0000C1h | | | |
| 0000C2h | | | |
| 0000C3h | | | |
| 0000C4h | | | |
| 0000C5h | | | |
| 0000C6h | | | |
| 0000C7h | | | |
| 0000C8h | | | |
| 0000C9h | | | |
| 0000CAh | | | |
| 0000CBh | | | |
| 0000CCh | | | |
| 0000CDh | | | |
| 0000CEh | | | |
| 0000CFh | | | |
| 0000D0h | | | |
| 0000D1h | | | |
| 0000D2h | | | |
| 0000D3h | | | |
| 0000D4h | | | |
| 0000D5h | | | |
| 0000D6h | | | |
| 0000D7h | | | |
| 0000D8h | | | |
| 0000D9h | | | |
| 0000DAh | | | |
| 0000DBh | | | |
| 0000DCh | | | |
| 0000DDh | UART7 Transmit Interrupt Control Register | S7TIC | XXXX X00b |
| 0000DEh | | | |
| 0000DFh | UART8 Transmit Interrupt Control Register | S8TIC | XXXX X00b |

X: Undefined

Blanks are reserved. No access is allowed.

Table 4.5 SFR List (5)

| Address | Register | Symbol | Reset Value |
|---------|---|-------------|-------------|
| 0000E0h | | | |
| 0000E1h | | | |
| 0000E2h | | | |
| 0000E3h | | | |
| 0000E4h | | | |
| 0000E5h | | | |
| 0000E6h | | | |
| 0000E7h | | | |
| 0000E8h | | | |
| 0000E9h | | | |
| 0000EAh | | | |
| 0000EBh | | | |
| 0000ECh | | | |
| 0000EDh | | | |
| 0000EEh | | | |
| 0000EFh | | | |
| 0000F0h | | | |
| 0000F1h | | | |
| 0000F2h | | | |
| 0000F3h | | | |
| 0000F4h | | | |
| 0000F5h | | | |
| 0000F6h | | | |
| 0000F7h | | | |
| 0000F8h | | | |
| 0000F9h | | | |
| 000FAh | | | |
| 000FBh | | | |
| 000FCh | | | |
| 000FDh | UART7 Receive Interrupt Control Register | S7RIC | XXXX X000b |
| 000FEh | | | |
| 000FFh | UART8 Receive Interrupt Control Register | S8RIC | XXXX X000b |
| 000100h | Group 1 Time Measurement/Waveform Generation Register 0 | G1TM0/G1PO0 | XXXXh |
| 000101h | | | |
| 000102h | Group 1 Time Measurement/Waveform Generation Register 1 | G1TM1/G1PO1 | XXXXh |
| 000103h | | | |
| 000104h | Group 1 Time Measurement/Waveform Generation Register 2 | G1TM2/G1PO2 | XXXXh |
| 000105h | | | |
| 000106h | Group 1 Time Measurement/Waveform Generation Register 3 | G1TM3/G1PO3 | XXXXh |
| 000107h | | | |

X: Undefined

Blanks are reserved. No access is allowed.

Table 4.6 SFR List (6)

| Address | Register | Symbol | Reset Value |
|-----------------------|---|-------------|-------------|
| 000108h | Group 1 Time Measurement/Waveform Generation Register 4 | G1TM4/G1PO4 | XXXXh |
| 000109h | | | |
| 00010Ah | Group 1 Time Measurement/Waveform Generation Register 5 | G1TM5/G1PO5 | XXXXh |
| 00010Bh | | | |
| 00010Ch | Group 1 Time Measurement/Waveform Generation Register 6 | G1TM6/G1PO6 | XXXXh |
| 00010Dh | | | |
| 00010Eh | Group 1 Time Measurement/Waveform Generation Register 7 | G1TM7/G1PO7 | XXXXh |
| 00010Fh | | | |
| 000110h | Group 1 Waveform Generation Control Register 0 | G1POCR0 | 0000 X000b |
| 000111h | Group 1 Waveform Generation Control Register 1 | G1POCR1 | 0X00 X000b |
| 000112h | Group 1 Waveform Generation Control Register 2 | G1POCR2 | 0X00 X000b |
| 000113h | Group 1 Waveform Generation Control Register 3 | G1POCR3 | 0X00 X000b |
| 000114h | Group 1 Waveform Generation Control Register 4 | G1POCR4 | 0X00 X000b |
| 000115h | Group 1 Waveform Generation Control Register 5 | G1POCR5 | 0X00 X000b |
| 000116h | Group 1 Waveform Generation Control Register 6 | G1POCR6 | 0X00 X000b |
| 000117h | Group 1 Waveform Generation Control Register 7 | G1POCR7 | 0X00 X000b |
| 000118h | Group 1 Time Measurement Control Register 0 | G1TMCR0 | 00h |
| 000119h | Group 1 Time Measurement Control Register 1 | G1TMCR1 | 00h |
| 00011Ah | Group 1 Time Measurement Control Register 2 | G1TMCR2 | 00h |
| 00011Bh | Group 1 Time Measurement Control Register 3 | G1TMCR3 | 00h |
| 00011Ch | Group 1 Time Measurement Control Register 4 | G1TMCR4 | 00h |
| 00011Dh | Group 1 Time Measurement Control Register 5 | G1TMCR5 | 00h |
| 00011Eh | Group 1 Time Measurement Control Register 6 | G1TMCR6 | 00h |
| 00011Fh | Group 1 Time Measurement Control Register 7 | G1TMCR7 | 00h |
| 000120h | Group 1 Base Timer Register | G1BT | XXXXh |
| 000121h | | | |
| 000122h | Group 1 Base Timer Control Register 0 | G1BCR0 | 0000 0000b |
| 000123h | Group 1 Base Timer Control Register 1 | G1BCR1 | 0000 0000b |
| 000124h | Group 1 Time Measurement Prescaler Register 6 | G1TPR6 | 00h |
| 000125h | Group 1 Time Measurement Prescaler Register 7 | G1TPR7 | 00h |
| 000126h | Group 1 Function Enable Register | G1FE | 00h |
| 000127h | Group 1 Function Select Register | G1FS | 00h |
| 000128h | | | |
| 000129h | | | |
| 00012Ah | | | |
| 00012Bh | | | |
| 00012Ch | | | |
| 00012Dh | | | |
| 00012Eh | | | |
| 00012Fh | | | |
| 000130h to 00013Fh | | | |

X: Undefined

Blanks are reserved. No access is allowed.

Table 4.7 SFR List (7)

| Address | Register | Symbol | Reset Value |
|---------|--|---------|-------------|
| 000140h | Group 2 Waveform Generation Register 0 | G2PO0 | XXXXh |
| 000141h | | | |
| 000142h | Group 2 Waveform Generation Register 1 | G2PO1 | XXXXh |
| 000143h | | | |
| 000144h | Group 2 Waveform Generation Register 2 | G2PO2 | XXXXh |
| 000145h | | | |
| 000146h | Group 2 Waveform Generation Register 3 | G2PO3 | XXXXh |
| 000147h | | | |
| 000148h | Group 2 Waveform Generation Register 4 | G2PO4 | XXXXh |
| 000149h | | | |
| 00014Ah | Group 2 Waveform Generation Register 5 | G2PO5 | XXXXh |
| 00014Bh | | | |
| 00014Ch | Group 2 Waveform Generation Register 6 | G2PO6 | XXXXh |
| 00014Dh | | | |
| 00014Eh | Group 2 Waveform Generation Register 7 | G2PO7 | XXXXh |
| 00014Fh | | | |
| 000150h | Group 2 Waveform Generation Control Register 0 | G2POCR0 | 0000 0000b |
| 000151h | Group 2 Waveform Generation Control Register 1 | G2POCR1 | 0000 0000b |
| 000152h | Group 2 Waveform Generation Control Register 2 | G2POCR2 | 0000 0000b |
| 000153h | Group 2 Waveform Generation Control Register 3 | G2POCR3 | 0000 0000b |
| 000154h | Group 2 Waveform Generation Control Register 4 | G2POCR4 | 0000 0000b |
| 000155h | Group 2 Waveform Generation Control Register 5 | G2POCR5 | 0000 0000b |
| 000156h | Group 2 Waveform Generation Control Register 6 | G2POCR6 | 0000 0000b |
| 000157h | Group 2 Waveform Generation Control Register 7 | G2POCR7 | 0000 0000b |
| 000158h | | | |
| 000159h | | | |
| 00015Ah | | | |
| 00015Bh | | | |
| 00015Ch | | | |
| 00015Dh | | | |
| 00015Eh | | | |
| 00015Fh | | | |
| 000160h | Group 2 Base Timer Register | G2BT | XXXXh |
| 000161h | | | |
| 000162h | Group 2 Base Timer Control Register 0 | G2BCR0 | 0000 0000b |
| 000163h | Group 2 Base Timer Control Register 1 | G2BCR1 | 0000 0000b |
| 000164h | Base Timer Start Register | BTSR | XXXX 0000b |
| 000165h | | | |
| 000166h | Group 2 Function Enable Register | G2FE | 00h |
| 000167h | Group 2 RTP Output Buffer Register | G2RTP | 00h |
| 000168h | | | |
| 000169h | | | |
| 00016Ah | Group 2 Serial Interface Mode Register | G2MR | 00XX X000b |
| 00016Bh | Group 2 Serial Interface Control Register | G2CR | 0000 X110b |
| 00016Ch | Group 2 SI/O Transmit Buffer Register | G2TB | XXXXh |
| 00016Dh | | | |
| 00016Eh | Group 2 SI/O Receive Buffer Register | G2RB | XXXXh |
| 00016Fh | | | |

X: Undefined

Blanks are reserved. No access is allowed.

Table 4.8 SFR List (8)

| Address | Register | Symbol | Reset Value |
|---------|---|-------------|-------------|
| 000170h | Group 2 IEBus Address Register | IEAR | XXXXh |
| 000171h | | | |
| 000172h | Group 2 IEBus Control Register | IECR | 00XX X000b |
| 000173h | Group 2 IEBus Transmit Interrupt Source Detect Register | IETIF | XXX0 0000b |
| 000174h | Group 2 IEBus Receive Interrupt Source Detect Register | IERIF | XXX0 0000b |
| 000175h | | | |
| 000176h | | | |
| 000177h | | | |
| 000178h | | | |
| 000179h | | | |
| 00017Ah | | | |
| 00017Bh | | | |
| 00017Ch | | | |
| 00017Dh | | | |
| 00017Eh | | | |
| 00017Fh | | | |
| 000180h | Group 0 Time Measurement/Waveform Generation Register 0 | G0TM0/G0PO0 | XXXXh |
| 000181h | | | |
| 000182h | Group 0 Time Measurement/Waveform Generation Register 1 | G0TM1/G0PO1 | XXXXh |
| 000183h | | | |
| 000184h | Group 0 Time Measurement/Waveform Generation Register 2 | G0TM2/G0PO2 | XXXXh |
| 000185h | | | |
| 000186h | Group 0 Time Measurement/Waveform Generation Register 3 | G0TM3/G0PO3 | XXXXh |
| 000187h | | | |
| 000188h | Group 0 Time Measurement/Waveform Generation Register 4 | G0TM4/G0PO4 | XXXXh |
| 000189h | | | |
| 00018Ah | Group 0 Time Measurement/Waveform Generation Register 5 | G0TM5/G0PO5 | XXXXh |
| 00018Bh | | | |
| 00018Ch | Group 0 Time Measurement/Waveform Generation Register 6 | G0TM6/G0PO6 | XXXXh |
| 00018Dh | | | |
| 00018Eh | Group 0 Time Measurement/Waveform Generation Register 7 | G0TM7/G0PO7 | XXXXh |
| 00018Fh | | | |
| 000190h | Group 0 Waveform Generation Control Register 0 | G0POCR0 | 0000 X000b |
| 000191h | Group 0 Waveform Generation Control Register 1 | G0POCR1 | 0X00 X000b |
| 000192h | Group 0 Waveform Generation Control Register 2 | G0POCR2 | 0X00 X000b |
| 000193h | Group 0 Waveform Generation Control Register 3 | G0POCR3 | 0X00 X000b |
| 000194h | Group 0 Waveform Generation Control Register 4 | G0POCR4 | 0X00 X000b |
| 000195h | Group 0 Waveform Generation Control Register 5 | G0POCR5 | 0X00 X000b |
| 000196h | Group 0 Waveform Generation Control Register 6 | G0POCR6 | 0X00 X000b |
| 000197h | Group 0 Waveform Generation Control Register 7 | G0POCR7 | 0X00 X000b |
| 000198h | Group 0 Time Measurement Control Register 0 | G0TMCR0 | 00h |
| 000199h | Group 0 Time Measurement Control Register 1 | G0TMCR1 | 00h |
| 00019Ah | Group 0 Time Measurement Control Register 2 | G0TMCR2 | 00h |
| 00019Bh | Group 0 Time Measurement Control Register 3 | G0TMCR3 | 00h |
| 00019Ch | Group 0 Time Measurement Control Register 4 | G0TMCR4 | 00h |
| 00019Dh | Group 0 Time Measurement Control Register 5 | G0TMCR5 | 00h |
| 00019Eh | Group 0 Time Measurement Control Register 6 | G0TMCR6 | 00h |
| 00019Fh | Group 0 Time Measurement Control Register 7 | G0TMCR7 | 00h |

X: Undefined

Blanks are reserved. No access is allowed.

Table 4.9 SFR List (9)

| Address | Register | Symbol | Reset Value |
|---------|---|--------|-------------|
| 0001A0h | Group 0 Base Timer Register | G0BT | XXXXh |
| 0001A1h | | | |
| 0001A2h | Group 0 Base Timer Control Register 0 | G0BCR0 | 0000 0000b |
| 0001A3h | Group 0 Base Timer Control Register 1 | G0BCR1 | 0000 0000b |
| 0001A4h | Group 0 Time Measurement Prescaler Register 6 | G0TPR6 | 00h |
| 0001A5h | Group 0 Time Measurement Prescaler Register 7 | G0TPR7 | 00h |
| 0001A6h | Group 0 Function Enable Register | G0FE | 00h |
| 0001A7h | Group 0 Function Select Register | G0FS | 00h |
| 0001A8h | | | |
| 0001A9h | | | |
| 0001AAh | | | |
| 0001ABh | | | |
| 0001ACh | | | |
| 0001ADh | | | |
| 0001AEh | | | |
| 0001AFh | | | |
| 0001B0h | | | |
| 0001B1h | | | |
| 0001B2h | | | |
| 0001B3h | | | |
| 0001B4h | | | |
| 0001B5h | | | |
| 0001B6h | | | |
| 0001B7h | | | |
| 0001B8h | | | |
| 0001B9h | | | |
| 0001BAh | | | |
| 0001BBh | | | |
| 0001BCh | | | |
| 0001BDh | | | |
| 0001BEh | | | |
| 0001BFh | | | |
| 0001C0h | | | |
| 0001C1h | | | |
| 0001C2h | | | |
| 0001C3h | | | |
| 0001C4h | UART5 Special Mode Register 4 | U5SMR4 | 00h |
| 0001C5h | UART5 Special Mode Register 3 | U5SMR3 | 00h |
| 0001C6h | UART5 Special Mode Register 2 | U5SMR2 | 00h |
| 0001C7h | UART5 Special Mode Register | U5SMR | 00h |
| 0001C8h | UART5 Transmit/Receive Mode Register | U5MR | 00h |
| 0001C9h | UART5 Bit Rate Register | U5BRG | XXh |
| 0001CAh | UART5 Transmit Buffer Register | U5TB | XXXXh |
| 0001CBh | | | |
| 0001CCh | UART5 Transmit/Receive Control Register 0 | U5C0 | 0000 1000b |
| 0001CDh | UART5 Transmit/Receive Control Register 1 | U5C1 | 0000 0010b |
| 0001CEh | UART5 Receive Buffer Register | U5RB | XXXXh |
| 0001CFh | | | |

X: Undefined

Blanks are reserved. No access is allowed.

Table 4.10 SFR List (10)

| Address | Register | Symbol | Reset Value |
|---------|--|--------|-------------|
| 0001D0h | | | |
| 0001D1h | | | |
| 0001D2h | | | |
| 0001D3h | | | |
| 0001D4h | UART6 Special Mode Register 4 | U6SMR4 | 00h |
| 0001D5h | UART6 Special Mode Register 3 | U6SMR3 | 00h |
| 0001D6h | UART6 Special Mode Register 2 | U6SMR2 | 00h |
| 0001D7h | UART6 Special Mode Register | U6SMR | 00h |
| 0001D8h | UART6 Transmit/Receive Mode Register | U6MR | 00h |
| 0001D9h | UART6 Bit Rate Register | U6BRG | XXh |
| 0001DAh | UART6 Transmit Buffer Register | U6TB | XXXXh |
| 0001DBh | | | |
| 0001DCh | UART6 Transmit/Receive Control Register 0 | U6C0 | 0000 1000b |
| 0001DDh | UART6 Transmit/Receive Control Register 1 | U6C1 | 0000 0010b |
| 0001DEh | UART6 Receive Buffer Register | U6RB | XXXXh |
| 0001DFh | | | |
| 0001E0h | UART7 Transmit/Receive Mode Register | U7MR | 00h |
| 0001E1h | UART7 Bit Rate Register | U7BRG | XXh |
| 0001E2h | UART7 Transmit Buffer Register | U7TB | XXXXh |
| 0001E3h | | | |
| 0001E4h | UART7 Transmit/Receive Control Register 0 | U7C0 | 00X0 1000b |
| 0001E5h | UART7 Transmit/Receive Control Register 1 | U7C1 | XXXX 0010b |
| 0001E6h | UART7 Receive Buffer Register | U7RB | XXXXh |
| 0001E7h | | | |
| 0001E8h | UART8 Transmit/Receive Mode Register | U8MR | 00h |
| 0001E9h | UART8 Bit Rate Register | U8BRG | XXh |
| 0001EAh | UART8 Transmit Buffer Register | U8TB | XXXXh |
| 0001EBh | | | |
| 0001ECh | UART8 Transmit/Receive Control Register 0 | U8C0 | 00X0 1000b |
| 0001EDh | UART8 Transmit/Receive Control Register 1 | U8C1 | XXXX 0010b |
| 0001EEh | UART8 Receive Buffer Register | U8RB | XXXXh |
| 0001EFh | | | |
| 0001F0h | UART7, UART8 Transmit/Receive Control Register 2 | U78CON | X000 0000b |
| 0001F1h | | | |
| 0001F2h | | | |
| 0001F3h | | | |
| 0001F4h | | | |
| 0001F5h | | | |
| 0001F6h | | | |
| 0001F7h | | | |
| 0001F8h | | | |
| 0001F9h | | | |
| 0001FAh | | | |
| 0001FBh | | | |
| 0001FCh | | | |
| 0001FDh | | | |
| 0001FEh | | | |
| 0001FFh | | | |

X: Undefined

Blanks are reserved. No access is allowed.

Table 4.11 SFR List (11)

| Address | Register | Symbol | Reset Value |
|-----------------------|---|-----------|-------------|
| 000200h to 0002BFh | | | |
| 0002C0h 0002C1h | X0 Register/Y0 Register | X0R/Y0R | XXXXh |
| 0002C2h 0002C3h | X1 Register/Y1 Register | X1R/Y1R | XXXXh |
| 0002C4h 0002C5h | X2 Register/Y2 Register | X2R/Y2R | XXXXh |
| 0002C6h 0002C7h | X3 Register/Y3 Register | X3R/Y3R | XXXXh |
| 0002C8h 0002C9h | X4 Register/Y4 Register | X4R/Y4R | XXXXh |
| 0002CAh 0002CBh | X5 Register/Y5 Register | X5R/Y5R | XXXXh |
| 0002CCh 0002CDh | X6 Register/Y6 Register | X6R/Y6R | XXXXh |
| 0002CEh 0002CFh | X7 Register/Y7 Register | X7R/Y7R | XXXXh |
| 0002D0h 0002D1h | X8 Register/Y8 Register | X8R/Y8R | XXXXh |
| 0002D2h 0002D3h | X9 Register/Y9 Register | X9R/Y9R | XXXXh |
| 0002D4h 0002D5h | X10 Register/Y10 Register | X10R/Y10R | XXXXh |
| 0002D6h 0002D7h | X11 Register/Y11 Register | X11R/Y11R | XXXXh |
| 0002D8h 0002D9h | X12 Register/Y12 Register | X12R/Y12R | XXXXh |
| 0002DAh 0002DBh | X13 Register/Y13 Register | X13R/Y13R | XXXXh |
| 0002DCh 0002DDh | X14 Register/Y14 Register | X14R/Y14R | XXXXh |
| 0002DEh 0002DFh | X15 Register/Y15 Register | X15R/Y15R | XXXXh |
| 0002E0h 0002E1h | X-Y Control Register | XYC | XXXX XX00b |
| 0002E2h 0002E3h | | | |
| 0002E4h | UART1 Special Mode Register 4 | U1SMR4 | 00h |
| 0002E5h | UART1 Special Mode Register 3 | U1SMR3 | 00h |
| 0002E6h | UART1 Special Mode Register 2 | U1SMR2 | 00h |
| 0002E7h | UART1 Special Mode Register | U1SMR | 00h |
| 0002E8h | UART1 Transmit/Receive Mode Register | U1MR | 00h |
| 0002E9h | UART1 Bit Rate Register | U1BRG | XXh |
| 0002EAh 0002EBh | UART1 Transmit Buffer Register | U1TB | XXXXh |
| 0002ECh | UART1 Transmit/Receive Control Register 0 | U1C0 | 0000 1000b |
| 0002EDh | UART1 Transmit/Receive Control Register 1 | U1C1 | 0000 0010b |
| 0002EEh 0002EFh | UART1 Receive Buffer Register | U1RB | XXXXh |

X: Undefined

Blanks are reserved. No access is allowed.

Table 4.12 SFR List (12)

| Address | Register | Symbol | Reset Value |
|---------|---|--------|-------------|
| 0002F0h | | | |
| 0002F1h | | | |
| 0002F2h | | | |
| 0002F3h | | | |
| 0002F4h | UART4 Special Mode Register 4 | U4SMR4 | 00h |
| 0002F5h | UART4 Special Mode Register 3 | U4SMR3 | 00h |
| 0002F6h | UART4 Special Mode Register 2 | U4SMR2 | 00h |
| 0002F7h | UART4 Special Mode Register | U4SMR | 00h |
| 0002F8h | UART4 Transmit/Receive Mode Register | U4MR | 00h |
| 0002F9h | UART4 Bit Rate Register | U4BRG | XXh |
| 0002FAh | UART4 Transmit Buffer Register | U4TB | XXXXh |
| 0002FBh | | | |
| 0002FCh | UART4 Transmit/Receive Control Register 0 | U4C0 | 0000 1000b |
| 0002FDh | UART4 Transmit/Receive Control Register 1 | U4C1 | 0000 0010b |
| 0002FEh | UART4 Receive Buffer Register | U4RB | XXXXh |
| 0002FFh | | | |
| 000300h | Count Start Register for Timers B3, B4, and B5 | TBSR | 000X XXXXb |
| 000301h | | | |
| 000302h | Timer A1-1 Register | TA11 | XXXXh |
| 000303h | | | |
| 000304h | Timer A2-1 Register | TA21 | XXXXh |
| 000305h | | | |
| 000306h | Timer A4-1 Register | TA41 | XXXXh |
| 000307h | | | |
| 000308h | Three-phase PWM Control Register 0 | INVC0 | 00h |
| 000309h | Three-phase PWM Control Register 1 | INVC1 | 00h |
| 00030Ah | Three-phase Output Buffer Register 0 | IDB0 | XX11 1111b |
| 00030Bh | Three-phase Output Buffer Register 1 | IDB1 | XX11 1111b |
| 00030Ch | Dead Time Timer | DTT | XXh |
| 00030Dh | Timer B2 Interrupt Generating Frequency Set Counter | ICTB2 | XXh |
| 00030Eh | | | |
| 00030Fh | | | |
| 000310h | Timer B3 Register | TB3 | XXXXh |
| 000311h | | | |
| 000312h | Timer B4 Register | TB4 | XXXXh |
| 000313h | | | |
| 000314h | Timer B5 Register | TB5 | XXXXh |
| 000315h | | | |
| 000316h | | | |
| 000317h | | | |
| 000318h | | | |
| 000319h | | | |
| 00031Ah | | | |
| 00031Bh | Timer B3 Mode Register | TB3MR | 00XX 0000b |
| 00031Ch | Timer B4 Mode Register | TB4MR | 00XX 0000b |
| 00031Dh | Timer B5 Mode Register | TB5MR | 00XX 0000b |
| 00031Eh | | | |
| 00031Fh | | | |

X: Undefined

Blanks are reserved. No access is allowed.

Table 4.13 SFR List (13)

| Address | Register | Symbol | Reset Value |
|---------|---|--------|-------------|
| 000320h | | | |
| 000321h | | | |
| 000322h | | | |
| 000323h | | | |
| 000324h | UART3 Special Mode Register 4 | U3SMR4 | 00h |
| 000325h | UART3 Special Mode Register 3 | U3SMR3 | 00h |
| 000326h | UART3 Special Mode Register 2 | U3SMR2 | 00h |
| 000327h | UART3 Special Mode Register | U3SMR | 00h |
| 000328h | UART3 Transmit/Receive Mode Register | U3MR | 00h |
| 000329h | UART3 Bit Rate Register | U3BRG | XXh |
| 00032Ah | UART3 Transmit Buffer Register | U3TB | XXXXh |
| 00032Bh | | | |
| 00032Ch | UART3 Transmit/Receive Control Register 0 | U3C0 | 0000 1000b |
| 00032Dh | UART3 Transmit/Receive Control Register 1 | U3C1 | 0000 0010b |
| 00032Eh | UART3 Receive Buffer Register | U3RB | XXXXh |
| 00032Fh | | | |
| 000330h | | | |
| 000331h | | | |
| 000332h | | | |
| 000333h | | | |
| 000334h | UART2 Special Mode Register 4 | U2SMR4 | 00h |
| 000335h | UART2 Special Mode Register 3 | U2SMR3 | 00h |
| 000336h | UART2 Special Mode Register 2 | U2SMR2 | 00h |
| 000337h | UART2 Special Mode Register | U2SMR | 00h |
| 000338h | UART2 Transmit/Receive Mode Register | U2MR | 00h |
| 000339h | UART2 Bit Rate Register | U2BRG | XXh |
| 00033Ah | UART2 Transmit Buffer Register | U2TB | XXXXh |
| 00033Bh | | | |
| 00033Ch | UART2 Transmit/Receive Control Register 0 | U2C0 | 0000 1000b |
| 00033Dh | UART2 Transmit/Receive Control Register 1 | U2C1 | 0000 0010b |
| 00033Eh | UART2 Receive Buffer Register | U2RB | XXXXh |
| 00033Fh | | | |
| 000340h | Count Start Register | TABSR | 0000 0000b |
| 000341h | Clock Prescaler Reset Register | CPSRF | 0XXX XXXXb |
| 000342h | One-shot Start Register | ONSF | 0000 0000b |
| 000343h | Trigger Select Register | TRGSR | 0000 0000b |
| 000344h | Increment/Decrement Select Register | UDF | 0000 0000b |
| 000345h | | | |
| 000346h | Timer A0 Register | TA0 | XXXXh |
| 000347h | | | |
| 000348h | Timer A1 Register | TA1 | XXXXh |
| 000349h | | | |
| 00034Ah | Timer A2 Register | TA2 | XXXXh |
| 00034Bh | | | |
| 00034Ch | Timer A3 Register | TA3 | XXXXh |
| 00034Dh | | | |
| 00034Eh | Timer A4 Register | TA4 | XXXXh |
| 00034Fh | | | |

X: Undefined

Blanks are reserved. No access is allowed.

Table 4.14 SFR List (14)

| Address | Register | Symbol | Reset Value |
|---------|---|--------|-------------|
| 000350h | Timer B0 Register | TB0 | XXXXh |
| 000351h | | | |
| 000352h | Timer B1 Register | TB1 | XXXXh |
| 000353h | | | |
| 000354h | Timer B2 Register | TB2 | XXXXh |
| 000355h | | | |
| 000356h | Timer A0 Mode Register | TA0MR | 0000 0000b |
| 000357h | Timer A1 Mode Register | TA1MR | 0000 0000b |
| 000358h | Timer A2 Mode Register | TA2MR | 0000 0000b |
| 000359h | Timer A3 Mode Register | TA3MR | 0000 0000b |
| 00035Ah | Timer A4 Mode Register | TA4MR | 0000 0000b |
| 00035Bh | Timer B0 Mode Register | TB0MR | 00XX 0000b |
| 00035Ch | Timer B1 Mode Register | TB1MR | 00XX 0000b |
| 00035Dh | Timer B2 Mode Register | TB2MR | 00XX 0000b |
| 00035Eh | Timer B2 Special Mode Register | TB2SC | XXXX XXX0b |
| 00035Fh | Count Source Prescaler Register | TCSPR | 0000 0000b |
| 000360h | | | |
| 000361h | | | |
| 000362h | | | |
| 000363h | | | |
| 000364h | UART0 Special Mode Register 4 | U0SMR4 | 00h |
| 000365h | UART0 Special Mode Register 3 | U0SMR3 | 00h |
| 000366h | UART0 Special Mode Register 2 | U0SMR2 | 00h |
| 000367h | UART0 Special Mode Register | U0SMR | 00h |
| 000368h | UART0 Transmit/Receive Mode Register | U0MR | 00h |
| 000369h | UART0 Bit Rate Register | U0BRG | XXh |
| 00036Ah | UART0 Transmit Buffer Register | U0TB | XXXXh |
| 00036Bh | | | |
| 00036Ch | UART0 Transmit/Receive Control Register 0 | U0C0 | 0000 1000b |
| 00036Dh | UART0 Transmit/Receive Control Register 1 | U0C1 | 0000 0010b |
| 00036Eh | UART0 Receive Buffer Register | U0RB | XXXXh |
| 00036Fh | | | |
| 000370h | | | |
| 000371h | | | |
| 000372h | | | |
| 000373h | | | |
| 000374h | | | |
| 000375h | | | |
| 000376h | | | |
| 000377h | | | |
| 000378h | | | |
| 000379h | | | |
| 00037Ah | | | |
| 00037Bh | | | |
| 00037Ch | CRC Data Register | CRCD | XXXXh |
| 00037Dh | | | |
| 00037Eh | CRC Input Register | CRCIN | XXh |
| 00037Fh | | | |

X: Undefined

Blanks are reserved. No access is allowed.

Table 4.15 SFR List (15)

| Address | Register | Symbol | Reset Value |
|---------|-------------------------|---------|-------------|
| 000380h | A/D0 Register 0 | AD00 | 00XXh |
| 000381h | | | |
| 000382h | A/D0 Register 1 | AD01 | 00XXh |
| 000383h | | | |
| 000384h | A/D0 Register 2 | AD02 | 00XXh |
| 000385h | | | |
| 000386h | A/D0 Register 3 | AD03 | 00XXh |
| 000387h | | | |
| 000388h | A/D0 Register 4 | AD04 | 00XXh |
| 000389h | | | |
| 00038Ah | A/D0 Register 5 | AD05 | 00XXh |
| 00038Bh | | | |
| 00038Ch | A/D0 Register 6 | AD06 | 00XXh |
| 00038Dh | | | |
| 00038Eh | A/D0 Register 7 | AD07 | 00XXh |
| 00038Fh | | | |
| 000390h | | | |
| 000391h | | | |
| 000392h | A/D0 Control Register 4 | AD0CON4 | XXXX 00XXb |
| 000393h | | | |
| 000394h | A/D0 Control Register 2 | AD0CON2 | XX0X X000b |
| 000395h | A/D0 Control Register 3 | AD0CON3 | XXXX X000b |
| 000396h | A/D0 Control Register 0 | AD0CON0 | 00h |
| 000397h | A/D0 Control Register 1 | AD0CON1 | 00h |
| 000398h | D/A Register 0 | DA0 | XXh |
| 000399h | | | |
| 00039Ah | D/A Register 1 | DA1 | XXh |
| 00039Bh | | | |
| 00039Ch | D/A Control Register | DACON | XXXX XX00b |
| 00039Dh | | | |
| 00039Eh | | | |
| 00039Fh | | | |
| 0003A0h | | | |
| 0003A1h | | | |
| 0003A2h | | | |
| 0003A3h | | | |
| 0003A4h | | | |
| 0003A5h | | | |
| 0003A6h | | | |
| 0003A7h | | | |
| 0003A8h | | | |
| 0003A9h | | | |
| 0003AAh | | | |
| 0003ABh | | | |
| 0003ACh | | | |
| 0003ADh | | | |
| 0003AEh | | | |
| 0003AFh | | | |

X: Undefined

Blanks are reserved. No access is allowed.

Table 4.16 SFR List (16)

| Address | Register | Symbol | Reset Value |
|---------|-----------------------------|--------|-------------|
| 0003B0h | | | |
| 0003B1h | | | |
| 0003B2h | | | |
| 0003B3h | | | |
| 0003B4h | | | |
| 0003B5h | | | |
| 0003B6h | | | |
| 0003B7h | | | |
| 0003B8h | | | |
| 0003B9h | | | |
| 0003BAh | | | |
| 0003BBh | | | |
| 0003BCh | | | |
| 0003BDh | | | |
| 0003BEh | | | |
| 0003BFh | | | |
| 0003C0h | Port P0 Register | P0 | XXh |
| 0003C1h | Port P1 Register | P1 | XXh |
| 0003C2h | Port P0 Direction Register | PD0 | 0000 0000b |
| 0003C3h | Port P1 Direction Register | PD1 | 0000 0000b |
| 0003C4h | Port P2 Register | P2 | XXh |
| 0003C5h | Port P3 Register | P3 | XXh |
| 0003C6h | Port P2 Direction Register | PD2 | 0000 0000b |
| 0003C7h | Port P3 Direction Register | PD3 | 0000 0000b |
| 0003C8h | Port P4 Register | P4 | XXh |
| 0003C9h | Port P5 Register | P5 | XXh |
| 0003CAh | Port P4 Direction Register | PD4 | 0000 0000b |
| 0003CBh | Port P5 Direction Register | PD5 | 0000 0000b |
| 0003CCh | Port P6 Register | P6 | XXh |
| 0003CDh | Port P7 Register | P7 | XXh |
| 0003CEh | Port P6 Direction Register | PD6 | 0000 0000b |
| 0003CFh | Port P7 Direction Register | PD7 | 0000 0000b |
| 0003D0h | Port P8 Register | P8 | XXh |
| 0003D1h | Port P9 Register | P9 | XXh |
| 0003D2h | Port P8 Direction Register | PD8 | 00X0 0000b |
| 0003D3h | Port P9 Direction Register | PD9 | 0000 0000b |
| 0003D4h | Port P10 Register | P10 | XXh |
| 0003D5h | | | |
| 0003D6h | Port P10 Direction Register | PD10 | 0000 0000b |
| 0003D7h | | | |
| 0003D8h | | | |
| 0003D9h | | | |
| 0003DAh | | | |
| 0003DBh | | | |
| 0003DCh | | | |
| 0003DDh | | | |
| 0003DEh | | | |
| 0003DFh | | | |

X: Undefined

Blanks are reserved. No access is allowed.

Table 4.17 SFR List (17)

| Address | Register | Symbol | Reset Value |
|---------|----------------------------|--------|-------------|
| 0003E0h | | | |
| 0003E1h | | | |
| 0003E2h | | | |
| 0003E3h | | | |
| 0003E4h | | | |
| 0003E5h | | | |
| 0003E6h | | | |
| 0003E7h | | | |
| 0003E8h | | | |
| 0003E9h | | | |
| 0003EAh | | | |
| 0003EBh | | | |
| 0003ECh | | | |
| 0003EDh | | | |
| 0003EEh | | | |
| 0003EFh | | | |
| 0003F0h | Pull-up Control Register 0 | PUR0 | 0000 0000b |
| 0003F1h | Pull-up Control Register 1 | PUR1 | XXXX 0000b |
| 0003F2h | Pull-up Control Register 2 | PUR2 | 0000 0000b |
| 0003F3h | Pull-up Control Register 3 | PUR3 | XXXX XX00b |
| 0003F4h | | | |
| 0003F5h | | | |
| 0003F6h | | | |
| 0003F7h | | | |
| 0003F8h | | | |
| 0003F9h | | | |
| 0003FAh | | | |
| 0003FBh | | | |
| 0003FCh | | | |
| 0003FDh | | | |
| 0003FEh | | | |
| 0003FFh | Port Control Register | PCR | XXXX XXX0b |

X: Undefined

Blanks are reserved. No access is allowed.

Table 4.18 SFR List (18)

| Address | Register | Symbol | Reset Value |
|---------|---|--------|---------------|
| 040000h | Flash Memory Control Register 0 | FMR0 | 0X01 XX00b |
| 040001h | Flash Memory Status Register 0 | FMSR0 | 1000 0000b |
| 040002h | | | |
| 040003h | | | |
| 040004h | | | |
| 040005h | | | |
| 040006h | | | |
| 040007h | | | |
| 040008h | Flash Register Protection Unlock Register 0 | FPR0 | 00h |
| 040009h | Flash Memory Control Register 1 | FMR1 | 0000 0010b |
| 04000Ah | Block Protect Bit Monitor Register 0 | FBPM0 | ??X? ???b (1) |
| 04000Bh | Block Protect Bit Monitor Register 1 | FBPM1 | XXX? ???b (1) |
| 04000Ch | | | |
| 04000Dh | | | |
| 04000Eh | | | |
| 04000Fh | | | |
| 040010h | | | |
| 040011h | | | |
| 040012h | | | |
| 040013h | | | |
| 040014h | | | |
| 040015h | | | |
| 040016h | | | |
| 040017h | | | |
| 040018h | | | |
| 040019h | | | |
| 04001Ah | | | |
| 04001Bh | | | |
| 04001Ch | | | |
| 04001Dh | | | |
| 04001Eh | | | |
| 04001Fh | | | |
| 040020h | PLL Control Register 0 | PLC0 | 0000 0001b |
| 040021h | PLL Control Register 1 | PLC1 | 0001 1111b |
| 040022h | | | |
| 040023h | | | |
| 040024h | | | |
| 040025h | | | |
| 040026h | | | |
| 040027h | | | |
| 040028h | | | |
| 040029h | | | |
| 04002Ah | | | |
| 04002Bh | | | |
| 04002Ch | | | |
| 04002Dh | | | |
| 04002Eh | | | |
| 04002Fh | | | |

X: Undefined

Blanks are reserved. No access is allowed.

Note:

1. The reset value reflects the value of the protect bit for each block in the flash memory.

Table 4.19 SFR List (19)

| Address | Register | Symbol | Reset Value |
|-----------------------|---|--------|---|
| 040030h to 04003Fh | | | |
| 040040h | | | |
| 040041h | | | |
| 040042h | | | |
| 040043h | | | |
| 040044h | Processor Mode Register 0 ⁽¹⁾ | PM0 | 1000 0000b (CNVSS pin = Low) 0000 0011b (CNVSS pin = High) |
| 040045h | | | |
| 040046h | System Clock Control Register 0 | CM0 | 0000 1000b |
| 040047h | System Clock Control Register 1 | CM1 | 0010 0000b |
| 040048h | Processor Mode Register 3 | PM3 | 00h |
| 040049h | | | |
| 04004Ah | Protect Register | PRCR | XXXX X000b |
| 04004Bh | | | |
| 04004Ch | Protect Register 3 | PRCR3 | 0000 0000b |
| 04004Dh | Oscillator Stop Detection Register | CM2 | 00h |
| 04004Eh | | | |
| 04004Fh | | | |
| 040050h | | | |
| 040051h | | | |
| 040052h | | | |
| 040053h | Processor Mode Register 2 | PM2 | 00h |
| 040054h | Chip Select Output Pin Setting Register 0 | CSOP0 | 1000 XXXXb |
| 040055h | Chip Select Output Pin Setting Register 1 | CSOP1 | 01X0 XXXXb |
| 040056h | | | |
| 040057h | | | |
| 040058h | | | |
| 040059h | | | |
| 04005Ah | Low Speed Mode Clock Control Register | CM3 | XXXX XX00b |
| 04005Bh | | | |
| 04005Ch | | | |
| 04005Dh | | | |
| 04005Eh | | | |
| 04005Fh | | | |
| 040060h | Voltage Regulator Control Register | VRCR | 0000 0000b |
| 040061h | | | |
| 040062h | Low Voltage Detector Control Register | LVDC | 0000 XX00b |
| 040063h | | | |
| 040064h | Detection Voltage Configuration Register | DVCR | 0000 XXXXb |
| 040065h | | | |
| 040066h | | | |
| 040067h | | | |
| 040068h to 040093h | | | |

X: Undefined

Blanks are reserved. No access is allowed.

Note:

1. The value in the PM0 register is retained even after a software reset or watchdog timer reset.

Table 4.20 SFR List (20)

| Address | Register | Symbol | Reset Value |
|---------|---|--------|---------------------------|
| 040094h | | | |
| 040095h | | | |
| 040096h | | | |
| 040097h | Three-phase Output Buffer Control Register | IOBC | 0XXX XXXXb |
| 040098h | Input Function Select Register 0 | IFS0 | X000 0000b ⁽¹⁾ |
| 040099h | | | |
| 04009Ah | Input Function Select Register 2 | IFS2 | 0000 00X0b ⁽²⁾ |
| 04009Bh | Input Function Select Register 3 | IFS3 | XXXX XX00b |
| 04009Ch | | | |
| 04009Dh | | | |
| 04009Eh | | | |
| 04009Fh | Input Function Select Register 7 ⁽³⁾ | IFS7 | XXXX XX0Xb |
| 0400A0h | Port P0_0 Function Select Register | P0_0S | 0XXX X000b |
| 0400A1h | Port P1_0 Function Select Register | P1_0S | XXXX X000b |
| 0400A2h | Port P0_1 Function Select Register | P0_1S | 0XXX X000b |
| 0400A3h | Port P1_1 Function Select Register | P1_1S | XXXX X000b |
| 0400A4h | Port P0_2 Function Select Register | P0_2S | 0XXX X000b |
| 0400A5h | Port P1_2 Function Select Register | P1_2S | XXXX X000b |
| 0400A6h | Port P0_3 Function Select Register | P0_3S | 0XXX X000b |
| 0400A7h | Port P1_3 Function Select Register | P1_3S | XXXX X000b |
| 0400A8h | Port P0_4 Function Select Register | P0_4S | 0XXX X000b |
| 0400A9h | Port P1_4 Function Select Register | P1_4S | XXXX X000b |
| 0400AAh | Port P0_5 Function Select Register | P0_5S | 0XXX X000b |
| 0400ABh | Port P1_5 Function Select Register | P1_5S | XXXX X000b |
| 0400ACh | Port P0_6 Function Select Register | P0_6S | 0XXX X000b |
| 0400ADh | Port P1_6 Function Select Register | P1_6S | XXXX X000b |
| 0400AEh | Port P0_7 Function Select Register | P0_7S | 0XXX X000b |
| 0400AFh | Port P1_7 Function Select Register | P1_7S | XXXX X000b |
| 0400B0h | Port P2_0 Function Select Register | P2_0S | 0XXX X000b |
| 0400B1h | Port P3_0 Function Select Register | P3_0S | XXXX X000b |
| 0400B2h | Port P2_1 Function Select Register | P2_1S | 0XXX X000b |
| 0400B3h | Port P3_1 Function Select Register | P3_1S | XXXX X000b |
| 0400B4h | Port P2_2 Function Select Register | P2_2S | 0XXX X000b |
| 0400B5h | Port P3_2 Function Select Register | P3_2S | XXXX X000b |
| 0400B6h | Port P2_3 Function Select Register | P2_3S | 0XXX X000b |
| 0400B7h | Port P3_3 Function Select Register | P3_3S | XXXX X000b |
| 0400B8h | Port P2_4 Function Select Register | P2_4S | 0XXX X000b |
| 0400B9h | Port P3_4 Function Select Register | P3_4S | XXXX X000b |
| 0400BAh | Port P2_5 Function Select Register | P2_5S | 0XXX X000b |
| 0400BBh | Port P3_5 Function Select Register | P3_5S | XXXX X000b |
| 0400BCh | Port P2_6 Function Select Register | P2_6S | 0XXX X000b |
| 0400BDh | Port P3_6 Function Select Register | P3_6S | XXXX X000b |
| 0400BEh | Port P2_7 Function Select Register | P2_7S | 0XXX X000b |
| 0400BFh | Port P3_7 Function Select Register | P3_7S | XXXX X000b |

X: Undefined

Blanks are reserved. No access is allowed.

Notes:

1. The reset value is 0000 0000b in the 64-pin package.
2. The reset value is 0000 000Xb in the 64-pin package.
3. This register is provided for the 64-pin package only. No access is allowed in the 100-pin package.

Table 4.21 SFR List (21)

| Address | Register | Symbol | Reset Value |
|---------|------------------------------------|--------|-------------|
| 0400C0h | Port P4_0 Function Select Register | P4_0S | XXXX X000b |
| 0400C1h | Port P5_0 Function Select Register | P5_0S | XXXX X000b |
| 0400C2h | Port P4_1 Function Select Register | P4_1S | XXXX X000b |
| 0400C3h | Port P5_1 Function Select Register | P5_1S | XXXX X000b |
| 0400C4h | Port P4_2 Function Select Register | P4_2S | XXXX X000b |
| 0400C5h | Port P5_2 Function Select Register | P5_2S | XXXX X000b |
| 0400C6h | Port P4_3 Function Select Register | P4_3S | XXXX X000b |
| 0400C7h | Port P5_3 Function Select Register | P5_3S | XXXX X000b |
| 0400C8h | Port P4_4 Function Select Register | P4_4S | XXXX X000b |
| 0400C9h | Port P5_4 Function Select Register | P5_4S | XXXX X000b |
| 0400CAh | Port P4_5 Function Select Register | P4_5S | XXXX X000b |
| 0400CBh | Port P5_5 Function Select Register | P5_5S | XXXX X000b |
| 0400CCh | Port P4_6 Function Select Register | P4_6S | XXXX X000b |
| 0400CDh | Port P5_6 Function Select Register | P5_6S | XXXX X000b |
| 0400CEh | Port P4_7 Function Select Register | P4_7S | XXXX X000b |
| 0400CFh | Port P5_7 Function Select Register | P5_7S | XXXX X000b |
| 0400D0h | Port P6_0 Function Select Register | P6_0S | XXXX X000b |
| 0400D1h | Port P7_0 Function Select Register | P7_0S | XXXX X000b |
| 0400D2h | Port P6_1 Function Select Register | P6_1S | XXXX X000b |
| 0400D3h | Port P7_1 Function Select Register | P7_1S | XXXX X000b |
| 0400D4h | Port P6_2 Function Select Register | P6_2S | XXXX X000b |
| 0400D5h | Port P7_2 Function Select Register | P7_2S | XXXX X000b |
| 0400D6h | Port P6_3 Function Select Register | P6_3S | XXXX X000b |
| 0400D7h | Port P7_3 Function Select Register | P7_3S | XXXX X000b |
| 0400D8h | Port P6_4 Function Select Register | P6_4S | XXXX X000b |
| 0400D9h | Port P7_4 Function Select Register | P7_4S | XXXX X000b |
| 0400DAh | Port P6_5 Function Select Register | P6_5S | XXXX X000b |
| 0400DBh | Port P7_5 Function Select Register | P7_5S | XXXX X000b |
| 0400DCh | Port P6_6 Function Select Register | P6_6S | XXXX X000b |
| 0400DDh | Port P7_6 Function Select Register | P7_6S | XXXX X000b |
| 0400DEh | Port P6_7 Function Select Register | P6_7S | XXXX X000b |
| 0400DFh | Port P7_7 Function Select Register | P7_7S | XXXX X000b |
| 0400E0h | Port P8_0 Function Select Register | P8_0S | XXXX X000b |
| 0400E1h | | | |
| 0400E2h | Port P8_1 Function Select Register | P8_1S | XXXX X000b |
| 0400E3h | | | |
| 0400E4h | Port P8_2 Function Select Register | P8_2S | XXXX X000b |
| 0400E5h | | | |
| 0400E6h | Port P8_3 Function Select Register | P8_3S | XXXX X000b |
| 0400E7h | Port P9_3 Function Select Register | P9_3S | 0XXX X000b |
| 0400E8h | Port P8_4 Function Select Register | P8_4S | XXXX X000b |
| 0400E9h | Port P9_4 Function Select Register | P9_4S | 0XXX X000b |
| 0400EAh | | | |
| 0400EBh | Port P9_5 Function Select Register | P9_5S | 0XXX X000b |
| 0400ECh | Port P8_6 Function Select Register | P8_6S | XXXX X000b |
| 0400EDh | Port P9_6 Function Select Register | P9_6S | 0XXX X000b |
| 0400EEh | Port P8_7 Function Select Register | P8_7S | XXXX X000b |
| 0400EFh | Port P9_7 Function Select Register | P9_7S | XXXX X000b |

X: Undefined

Blanks are reserved. No access is allowed.

Table 4.22 SFR List (22)

| Address | Register | Symbol | Reset Value |
|---------|-------------------------------------|--------|-------------|
| 0400F0h | Port P10_0 Function Select Register | P10_0S | 0XXX X000b |
| 0400F1h | | | |
| 0400F2h | Port P10_1 Function Select Register | P10_1S | 0XXX X000b |
| 0400F3h | | | |
| 0400F4h | Port P10_2 Function Select Register | P10_2S | 0XXX X000b |
| 0400F5h | | | |
| 0400F6h | Port P10_3 Function Select Register | P10_3S | 0XXX X000b |
| 0400F7h | | | |
| 0400F8h | Port P10_4 Function Select Register | P10_4S | 0XXX X000b |
| 0400F9h | | | |
| 0400FAh | Port P10_5 Function Select Register | P10_5S | 0XXX X000b |
| 0400FBh | | | |
| 0400FCh | Port P10_6 Function Select Register | P10_6S | 0XXX X000b |
| 0400FDh | | | |
| 0400FEh | Port P10_7 Function Select Register | P10_7S | 0XXX X000b |
| 0400FFh | | | |
| 040100h | | | |
| 040101h | | | |
| 040102h | | | |
| 040103h | | | |
| 040104h | | | |
| 040105h | | | |
| 040106h | | | |
| 040107h | | | |
| 040108h | | | |
| 040109h | | | |
| 04010Ah | | | |
| 04010Bh | | | |
| 04010Ch | | | |
| 04010Dh | | | |
| 04010Eh | | | |
| 04010Fh | | | |
| 040110h | | | |
| 040111h | | | |
| 040112h | | | |
| 040113h | | | |
| 040114h | | | |
| 040115h | | | |
| 040116h | | | |
| 040117h | | | |
| 040118h | | | |
| 040119h | | | |
| 04011Ah | | | |
| 04011Bh | | | |
| 04011Ch | | | |
| 04011Dh | | | |
| 04011Eh | | | |
| 04011Fh | | | |

X: Undefined

Blanks are reserved. No access is allowed.

Table 4.23 SFR List (23)

| Address | Register | Symbol | Reset Value |
|-----------------------|---------------------------------|--------|-------------|
| 040120h to 04403Fh | | | |
| 044040h | | | |
| 044041h | | | |
| 044042h | | | |
| 044043h | | | |
| 044044h | | | |
| 044045h | | | |
| 044046h | | | |
| 044047h | | | |
| 044048h | | | |
| 044049h | | | |
| 04404Ah | | | |
| 04404Bh | | | |
| 04404Ch | | | |
| 04404Dh | | | |
| 04404Eh | Watchdog Timer Start Register | WDTS | XXXX XXXXb |
| 04404Fh | Watchdog Timer Control Register | WDC | 000X XXXXb |
| 044050h | | | |
| 044051h | | | |
| 044052h | | | |
| 044053h | | | |
| 044054h | | | |
| 044055h | | | |
| 044056h | | | |
| 044057h | | | |
| 044058h | | | |
| 044059h | | | |
| 04405Ah | | | |
| 04405Bh | | | |
| 04405Ch | | | |
| 04405Dh | | | |
| 04405Eh | | | |
| 04405Fh | Protect Register 2 | PRCR2 | 0XXX XXXXb |

X: Undefined

Blanks are reserved. No access is allowed.

Table 4.24 SFR List (24)

| Address | Register | Symbol | Reset Value |
|---------|---|--------|-------------|
| 044060h | | | |
| 044061h | | | |
| 044062h | | | |
| 044063h | | | |
| 044064h | | | |
| 044065h | | | |
| 044066h | | | |
| 044067h | | | |
| 044068h | | | |
| 044069h | | | |
| 04406Ah | | | |
| 04406Bh | | | |
| 04406Ch | | | |
| 04406Dh | External Interrupt Request Source Select Register 1 | IFSR1 | X0XX XXXXb |
| 04406Eh | | | |
| 04406Fh | External Interrupt Request Source Select Register 0 | IFSR0 | 0000 0000b |
| 044070h | DMA0 Request Source Select Register 2 | DM0SL2 | XX00 0000b |
| 044071h | DMA1 Request Source Select Register 2 | DM1SL2 | XX00 0000b |
| 044072h | DMA2 Request Source Select Register 2 | DM2SL2 | XX00 0000b |
| 044073h | DMA3 Request Source Select Register 2 | DM3SL2 | XX00 0000b |
| 044074h | | | |
| 044075h | | | |
| 044076h | | | |
| 044077h | | | |
| 044078h | DMA0 Request Source Select Register | DM0SL | XXX0 0000b |
| 044079h | DMA1 Request Source Select Register | DM1SL | XXX0 0000b |
| 04407Ah | DMA2 Request Source Select Register | DM2SL | XXX0 0000b |
| 04407Bh | DMA3 Request Source Select Register | DM3SL | XXX0 0000b |
| 04407Ch | | | |
| 04407Dh | Wake-up IPL Setting Register 2 | RIPL2 | XX0X 0000b |
| 04407Eh | | | |
| 04407Fh | Wake-up IPL Setting Register 1 | RIPL1 | XX0X 0000b |
| 044080h | | | |
| 044081h | | | |
| 044082h | | | |
| 044083h | | | |
| 044084h | | | |
| 044085h | | | |
| 044086h | | | |
| 044087h | | | |
| 044088h | | | |
| 044089h | | | |
| 04408Ah | | | |
| 04408Bh | | | |
| 04408Ch | | | |
| 04408Dh | | | |
| 04408Eh | | | |
| 04408Fh | | | |

X: Undefined

Blanks are reserved. No access is allowed.

5. Electrical Characteristics

Table 5.1 Absolute Maximum Ratings (1)

| Symbol | Characteristic | | Condition | Value (2) | Unit |
|--------------------|-----------------------------|---|--------------------------|-------------------------|------------------|
| V_{CC1}, V_{CC2} | Supply voltage | | $V_{CC1} = AV_{CC}$ | -0.3 to 6.0 | V |
| V_{CC2} | Supply voltage | | — | -0.3 to V_{CC1} | V |
| AV_{CC} | Analog supply voltage | | $V_{CC1} = AV_{CC}$ | -0.3 to 6.0 | V |
| V_I | Input voltage | XIN, RESET, CNVSS, NSD, V_{REF} , P6_0 to P6_7, P7_2 to P7_7, P8_0 to P8_7, P9_1, P9_3 to P9_7, P10_0 to P10_7 (3) | | -0.3 to $V_{CC1} + 0.3$ | V |
| | | P0_0 to P0_7, P1_0 to P1_7, P2_0 to P2_7, P3_0 to P3_7, P4_0 to P4_7, P5_0 to P5_7 (3) | | -0.3 to $V_{CC2} + 0.3$ | V |
| | | P7_0, P7_1 | | -0.3 to 6.0 | V |
| V_O | Output voltage | XOUT, P6_0 to P6_7, P7_2 to P7_7, P8_0 to P8_4, P8_6, P8_7, P9_3 to P9_7, P10_0 to P10_7 (3) | | -0.3 to $V_{CC1} + 0.3$ | V |
| | | P0_0 to P0_7, P1_0 to P1_7, P2_0 to P2_7, P3_0 to P3_7, P4_0 to P4_7, P5_0 to P5_7 (3) | | -0.3 to $V_{CC2} + 0.3$ | V |
| | | P7_0, P7_1 | | -0.3 to 6.0 | V |
| P_d | Power consumption | | $T_a = 25^\circ\text{C}$ | 500 | mW |
| — | Operating temperature range | | | -40 to 85 | $^\circ\text{C}$ |
| T_{stg} | Storage temperature range | | | -65 to 150 | $^\circ\text{C}$ |

Notes:

- Stresses above those listed under “Absolute Maximum Ratings” may cause permanent damage to the device. This is a stress rating only and functional operation of the device at these or any other conditions above those indicated in the operational sections of this specification is not implied. Exposure to absolute maximum rating conditions for extended periods may affect device reliability.
- The V_{CC2} pin is available in the 100-pin package only. It should be considered as V_{CC1} in the 64-pin package.
- Ports P0_4 to P0_7, P1_0 to P1_4, P3_4 to P3_7, P4, P5, P9_1, and P9_4 to P9_7 are available in the 100-pin package only.

Table 5.2 Operating Conditions (1/5) (1)

| Symbol | Characteristic | | Value (2) | | | Unit | |
|--------------------------|---|--|---|----------------------|----------------------|-----------------------|---|
| | | | Min. | Typ. | Max. | | |
| V_{CC1} , V_{CC2} | Digital supply voltage ($V_{CC1} \geq V_{CC2}$) | | 3.0 | 5.0 | 5.5 | V | |
| AV_{CC} | Analog supply voltage | | | V_{CC1} | | V | |
| V_{REF} | Reference voltage | | 3.0 | | V_{CC1} | V | |
| V_{SS} | Digital ground voltage | | | 0 | | V | |
| AV_{SS} | Analog ground voltage | | | 0 | | V | |
| dV_{CC1}/dt | V_{CC1} ramp up rate ($V_{CC1} < 2.0$ V) | | 0.05 | | | V/ms | |
| V_{IH} | High level input voltage | P2_0 to P2_7, P3_0 to P3_7, P4_0 to P4_7, P5_0 to P5_7 (4) | $0.8 \times V_{CC2}$ | | V_{CC2} | V | |
| | | XIN, \overline{RESET} , CNVSS, NSD, P6_0 to P6_7, P7_2 to P7_7, P8_0 to P8_7 (3), P9_1, P9_3 to P9_7, P10_0 to P10_7 (4) | $0.8 \times V_{CC1}$ | | V_{CC1} | V | |
| | | P7_0, P7_1 | $0.8 \times V_{CC1}$ | | 6.0 | V | |
| | | P0_0 to P0_7, P1_0 to P1_7 (4) | in single-chip mode | $0.8 \times V_{CC2}$ | | V_{CC2} | V |
| | | | in memory expansion mode or microprocessor mode (5) | $0.5 \times V_{CC2}$ | | V_{CC2} | V |
| V_{IL} | Low level input voltage | P2_0 to P2_7, P3_0 to P3_7, P4_0 to P4_7, P5_0 to P5_7 (4) | 0 | | $0.2 \times V_{CC2}$ | V | |
| | | XIN, \overline{RESET} , CNVSS, NSD, P6_0 to P6_7, P7_0 to P7_7, P8_0 to P8_7 (3), P9_1, P9_3 to P9_7, P10_0 to P10_7 (4) | 0 | | $0.2 \times V_{CC1}$ | V | |
| | | P0_0 to P0_7, P1_0 to P1_7 (4) | in single-chip mode | 0 | | $0.2 \times V_{CC2}$ | V |
| | | | in memory expansion mode or microprocessor mode (5) | 0 | | $0.16 \times V_{CC2}$ | V |
| | | | | | | | |
| T_{opr} | Operating temperature range | N version | -20 | | 85 | °C | |
| | | D version | -40 | | 85 | °C | |

Notes:

1. The device is operationally guaranteed under these operating conditions.
2. The V_{CC2} pin is available in the 100-pin package only. It should be considered as V_{CC1} in the 64-pin package.
3. V_{IH} and V_{IL} for P8_7 are specified for P8_7 as a programmable port. These values are not applicable for P8_7 as XCIN.
4. Ports P0_4 to P0_7, P1_0 to P1_4, P3_4 to P3_7, P4, P5, P9_1, and P9_4 to P9_7 are available in the 100-pin package only.
5. Memory expansion mode and microprocessor mode are available in the 100-pin package only.

Table 5.3 Operating Conditions (2/5)**($V_{CC1} = V_{CC2} = 3.0$ to 5.5 V, $V_{SS} = 0$ V, and $T_a = T_{opr}$, unless otherwise noted) (1)**

| Symbol | Characteristic | | Value (2) | | | Unit |
|-----------|--|--------------------------|-----------|------|------|---------|
| | | | Min. | Typ. | Max. | |
| C_{VDC} | Decoupling capacitance for voltage regulator | Inter-pin voltage: 1.5 V | 2.4 | | 10.0 | μ F |

Notes:

1. The device is operationally guaranteed under these operating conditions.
2. This value should be met with due consideration to the following conditions: operating temperature, DC bias, aging, etc.

Table 5.4 Operating Conditions (3/5)
 ($V_{CC1} = V_{CC2} = 3.0$ to 5.5 V, $V_{SS} = 0$ V, and $T_a = T_{opr}$, unless otherwise noted) (1)

| Symbol | Characteristic | | Value | | | Unit |
|----------------|---------------------------------------|--|-------|------|-------|------|
| | | | Min. | Typ. | Max. | |
| $I_{OH(peak)}$ | High level peak output current (2) | P0_0 to P0_7, P1_0 to P1_7, P2_0 to P2_7, P3_0 to P3_7, P4_0 to P4_7, P5_0 to P5_7, P6_0 to P6_7, P7_2 to P7_7, P8_0 to P8_4, P8_6, P8_7, P9_3 to P9_7, P10_0 to P10_7 (3) | | | -10.0 | mA |
| $I_{OH(avg)}$ | High level average output current (4) | P0_0 to P0_7, P1_0 to P1_7, P2_0 to P2_7, P3_0 to P3_7, P4_0 to P4_7, P5_0 to P5_7, P6_0 to P6_7, P7_2 to P7_7, P8_0 to P8_4, P8_6, P8_7, P9_3 to P9_7, P10_0 to P10_7 (3) | | | -5.0 | mA |
| $I_{OL(peak)}$ | Low level peak output current (2) | P0_0 to P0_7, P1_0 to P1_7, P2_0 to P2_7, P3_0 to P3_7, P4_0 to P4_7, P5_0 to P5_7, P6_0 to P6_7, P7_0 to P7_7, P8_0 to P8_4, P8_6, P8_7, P9_3 to P9_7, P10_0 to P10_7 (3) | | | 10.0 | mA |
| $I_{OL(avg)}$ | Low level average output current (4) | P0_0 to P0_7, P1_0 to P1_7, P2_0 to P2_7, P3_0 to P3_7, P4_0 to P4_7, P5_0 to P5_7, P6_0 to P6_7, P7_0 to P7_7, P8_0 to P8_4, P8_6, P8_7, P9_3 to P9_7, P10_0 to P10_7 (3) | | | 5.0 | mA |

Notes:

- The device is operationally guaranteed under these operating conditions.
- The following conditions should be satisfied:
 - The sum of $I_{OL(peak)}$ of ports P0, P1, P2, P8_6, P8_7, P9, and P10 is 80 mA or less.
 - The sum of $I_{OL(peak)}$ of ports P3, P4, P5, P6, P7, and P8_0 to P8_4 is 80 mA or less.
 - The sum of $I_{OH(peak)}$ of ports P0, P1, and P2 is -40 mA or less.
 - The sum of $I_{OH(peak)}$ of ports P8_6, P8_7, P9, and P10 is -40 mA or less.
 - The sum of $I_{OH(peak)}$ of ports P3, P4, and P5 is -40 mA or less.
 - The sum of $I_{OH(peak)}$ of ports P6, P7, and P8_0 to P8_4 is -40 mA or less.
- Ports P0_4 to P0_7, P1_0 to P1_4, P3_4 to P3_7, P4, P5, and P9_4 to P9_7 are available in the 100-pin package only.
- Average value within 100 ms.

Table 5.5 Operating Conditions (4/5)
 ($V_{CC1} = V_{CC2} = 3.0$ to 5.5 V, $V_{SS} = 0$ V, and $T_a = T_{opr}$, unless otherwise noted) (1)

| Symbol | Characteristic | Value | | | Unit |
|---------------|--|-------|--------|------|------|
| | | Min. | Typ. | Max. | |
| $f_{(XIN)}$ | Main clock oscillator frequency | 4 | | 16 | MHz |
| $f_{(XRef)}$ | Reference clock frequency | 2 | | 4 | MHz |
| $f_{(PLL)}$ | PLL clock oscillator frequency | 96 | | 128 | MHz |
| $f_{(Base)}$ | Base clock frequency | | | 50 | MHz |
| $t_{c(Base)}$ | Base clock cycle time | 20 | | | ns |
| $f_{(CPU)}$ | CPU operating frequency | | | 50 | MHz |
| $t_{c(CPU)}$ | CPU clock cycle time | 20 | | | ns |
| $f_{(BCLK)}$ | Peripheral bus clock operating frequency | | | 25 | MHz |
| $t_{c(BCLK)}$ | Peripheral bus clock cycle time | 40 | | | ns |
| $f_{(PER)}$ | Peripheral clock source frequency | | | 32 | MHz |
| $f_{(XCIN)}$ | Sub clock oscillator frequency | | 32.768 | 62.5 | kHz |

Note:

1. The device is operationally guaranteed under these operating conditions.

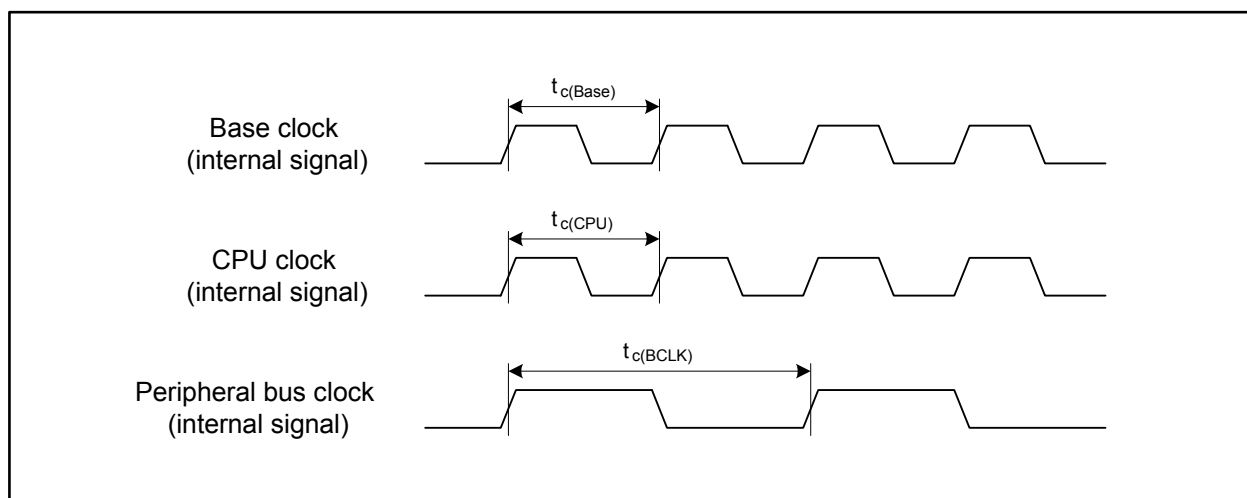


Figure 5.1 Clock Cycle Time

Table 5.6 Operating Conditions (5/5)
 ($V_{CC1} = V_{CC2} = 3.0$ to 5.5 V, $V_{SS} = 0$ V, and $T_a = T_{opr}$, unless otherwise noted) (1)

| Symbol | Characteristic | Value | | | Unit |
|-------------------|----------------------------|-------------------|------|-----------|------|
| | | Min. | Typ. | Max. | |
| $V_{r(VCC1)}$ | Allowable ripple voltage | $V_{CC1} = 5.0$ V | | 0.5 | Vp-p |
| | | $V_{CC1} = 3.0$ V | | 0.3 | Vp-p |
| $V_{r(VCC2)}$ | Allowable ripple voltage | $V_{CC2} = 5.0$ V | | 0.5 | Vp-p |
| | | $V_{CC2} = 3.0$ V | | 0.3 | Vp-p |
| $dV_{r(VCC1)}/dt$ | Ripple voltage gradient | $V_{CC1} = 5.0$ V | | ± 0.3 | V/ms |
| | | $V_{CC1} = 3.0$ V | | ± 0.3 | V/ms |
| $dV_{r(VCC2)}/dt$ | Ripple voltage gradient | $V_{CC2} = 5.0$ V | | ± 0.3 | V/ms |
| | | $V_{CC2} = 3.0$ V | | ± 0.3 | V/ms |
| $f_{r(VCC1)}$ | Allowable ripple frequency | | | 10 | kHz |
| $f_{r(VCC2)}$ | Allowable ripple frequency | | | 10 | kHz |

Note:

- The device is operationally guaranteed under these operating conditions.

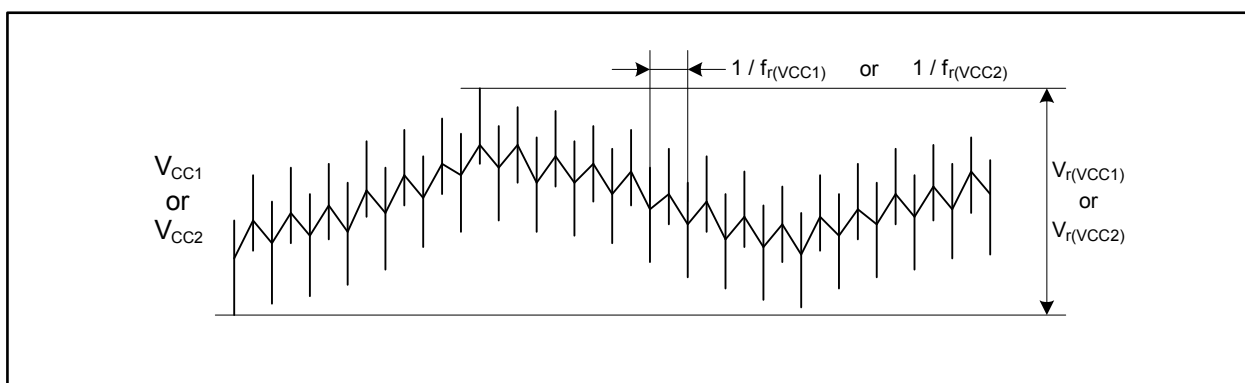


Figure 5.2 Ripple Waveform

Table 5.7 Electrical Characteristics of RAM
($V_{CC1} = V_{CC2} = 3.0$ to 5.5 V, $V_{SS} = 0$ V, and $T_a = T_{opr}$, unless otherwise noted)

| Symbol | Characteristic | Measurement Condition | Value | | | Unit |
|-----------|---|-----------------------|-------|------|------|------|
| | | | Min. | Typ. | Max. | |
| V_{RDR} | RAM data retention voltage ⁽¹⁾ | In stop mode | 2.0 | | | V |

Note:

1. The value listed in the table is the minimum V_{CC1} to retain RAM data.

Table 5.8 Electrical Characteristics of Flash Memory
($V_{CC1} = V_{CC2} = 3.0$ to 5.5 V, $V_{SS} = 0$ V, and $T_a = T_{opr}$, unless otherwise noted)

| Symbol | Characteristic | | Value | | | Unit |
|--------|-------------------------------------|---|-------|------|------|---------|
| | | | Min. | Typ. | Max. | |
| — | Program/erase cycles ⁽¹⁾ | Program area | 1000 | | | Cycles |
| | | Data area | 10000 | | | Cycles |
| — | 4-word program time | Program area | | 150 | 900 | μ s |
| | | Data area | | 300 | 1700 | μ s |
| — | Lock bit program time | Program area | | 70 | 500 | μ s |
| | | Data area | | 140 | 1000 | μ s |
| — | Block erasure time | 4-Kbyte block | | 0.12 | 3.0 | s |
| | | 32-Kbyte block | | 0.17 | 3.0 | s |
| | | 64-Kbyte block | | 0.20 | 3.0 | s |
| — | Data retention ⁽²⁾ | $T_a = 55^\circ\text{C}$ ⁽³⁾ | 10 | | | Years |

Notes:

1. Program/erase definition
 This value represents the number of erasures per block.
 When the number of program/erase cycles is n, each block can be erased n times.
 For example, if a 4-word write is performed in 512 different addresses in the 4-Kbyte block A and then the block is erased, this is counted as a single program/erase operation.
 However, the same address cannot be written to more than once per erasure (overwrite disabled).
2. Data retention includes periods when no supply voltage is applied and no clock is provided.
3. Contact a Renesas Electronics sales office for data retention times other than the above condition.

Table 5.9 Power Supply Circuit Timing Characteristics
 ($V_{CC1} = V_{CC2} = 3.0$ to 5.5 V, $V_{SS} = 0$ V, and $T_a = T_{opr}$, unless otherwise noted)

| Symbol | Characteristic | Measurement Condition | Value | | | Unit |
|--------------|--|-----------------------|-------|------|------|------|
| | | | Min. | Typ. | Max. | |
| $t_{d(P-R)}$ | Internal power supply start-up stabilization time after the main power supply is turned on | | | | 2 | ms |

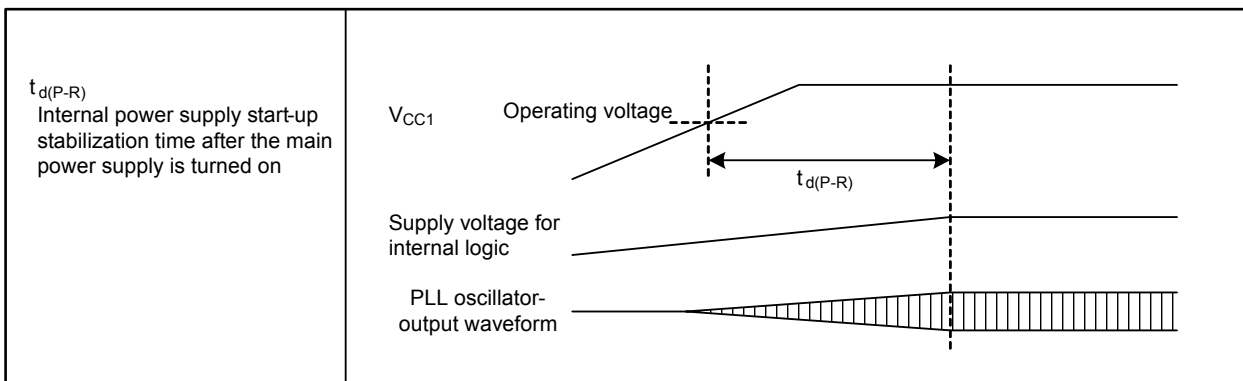


Figure 5.3 Power Supply Circuit Timing

Table 5.10 Electrical Characteristics of Voltage Regulator for Internal Logic
 ($V_{CC1} = V_{CC2} = 3.0$ to 5.5 V, $V_{SS} = 0$ V, and $T_a = T_{opr}$, unless otherwise noted)

| Symbol | Characteristics | Measurement Condition | Value | | | Unit |
|------------|-----------------|-----------------------|-------|------|------|------|
| | | | Min. | Typ. | Max. | |
| V_{VDC1} | Output voltage | | | 1.5 | | V |

Table 5.11 Electrical Characteristics of Low Voltage Detector
 ($V_{CC1} = V_{CC2} = 4.2$ to 5.5 V, $V_{SS} = 0$ V, and $T_a = T_{opr}$, unless otherwise noted)

| Symbol | Characteristics | Measurement Condition | Value | | | Unit |
|---------------------------|--|---|-------|------|-----------|---------|
| | | | Min. | Typ. | Max. | |
| ΔV_{det} | Detected voltage error | | | | ± 0.3 | V |
| $V_{det(R)} - V_{det(F)}$ | Hysteresis width | | 0 | | | V |
| — | Self-consuming current | $V_{CC1} = 5.0$ V, low voltage detector enabled | | 4 | | μA |
| $t_{d(E-A)}$ | Operation start time of low voltage detector | | | | 150 | μs |

Table 5.12 Electrical Characteristics of Oscillator
 ($V_{CC1} = V_{CC2} = 3.0$ to 5.5 V, $V_{SS} = 0$ V, and $T_a = T_{opr}$, unless otherwise noted)

| Symbol | Characteristics | Measurement Condition | Value | | | Unit |
|-------------------|--------------------------------------|-----------------------|-------|------|------|------|
| | | | Min. | Typ. | Max. | |
| $f_{SO(PLL)}$ | PLL clock self-oscillation frequency | | 35 | 55 | 80 | MHz |
| $t_{LOCK(PLL)}$ | PLL lock time (1) | | | | 1 | ms |
| $t_{jitter(p-p)}$ | PLL jitter period (p-p) | | | | 2.0 | ns |
| $f_{(OCO)}$ | On-chip oscillator frequency | | 62.5 | 125 | 250 | kHz |

Note:

1. This value is applicable only when the main clock oscillation is stable.

Table 5.13 Electrical Characteristics of Clock Circuitry
 ($V_{CC1} = V_{CC2} = 3.0$ to 5.5 V, $V_{SS} = 0$ V, and $T_a = T_{opr}$, unless otherwise noted)

| Symbol | Characteristics | Measurement Condition | Value | | | Unit |
|-----------------|--|-----------------------|-------|------|------|---------|
| | | | Min. | Typ. | Max. | |
| $t_{rec(WAIT)}$ | Recovery time from wait mode to low power mode | | | | 225 | μ s |
| $t_{rec(STOP)}$ | Recovery time from stop mode (1) | | | | 225 | μ s |

Note:

1. The recovery time from stop mode does not include the main clock oscillation stabilization time. The CPU starts operating before the oscillator is stabilized.

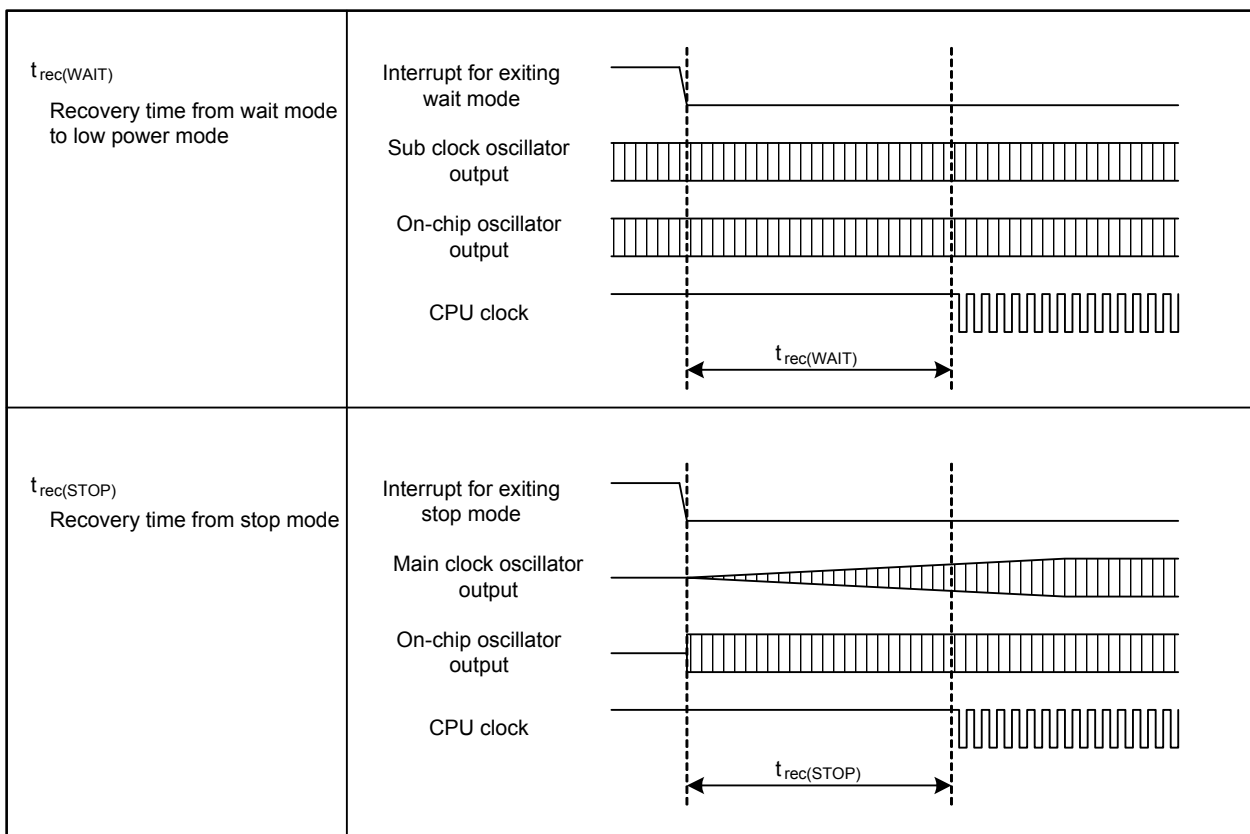


Figure 5.4 Clock Circuit Timing

Timing Requirements ($V_{CC1} = V_{CC2} = 3.0$ to 5.5 V, $V_{SS} = 0$ V, and $T_a = T_{opr}$, unless otherwise noted)

Table 5.14 Flash Memory CPU Rewrite Mode Timing

| Symbol | Characteristics | Value | | Unit |
|---------------|-------------------------------------|-------|------|------|
| | | Min. | Max. | |
| t_{cR} | Read cycle time | 200 | | ns |
| $t_{su(S-R)}$ | Chip-select setup time before read | 200 | | ns |
| $t_{h(R-S)}$ | Chip-select hold time after read | 0 | | ns |
| $t_{su(A-R)}$ | Address setup time before read | 200 | | ns |
| $t_{h(R-A)}$ | Address hold time after read | 0 | | ns |
| $t_{w(R)}$ | Read pulse width | 100 | | ns |
| t_{cW} | Write cycle time | 200 | | ns |
| $t_{su(S-W)}$ | Chip-select setup time before write | 0 | | ns |
| $t_{h(W-S)}$ | Chip-select hold time after write | 30 | | ns |
| $t_{su(A-W)}$ | Address setup time before write | 0 | | ns |
| $t_{h(W-A)}$ | Address hold time after write | 30 | | ns |
| $t_{w(W)}$ | Write pulse width | 50 | | ns |

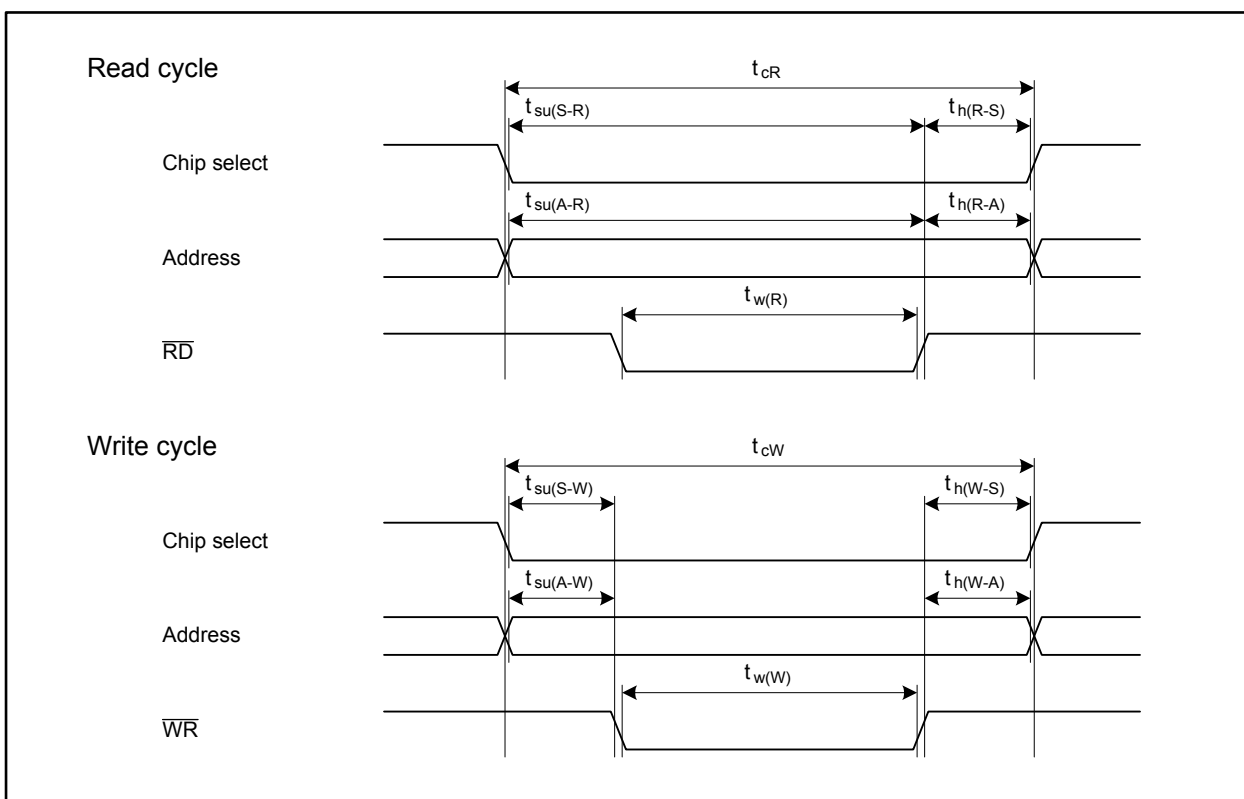


Figure 5.5 Flash Memory CPU Rewrite Mode Timing

$$V_{CC1} = V_{CC2} = 5 \text{ V}$$

Table 5.15 Electrical Characteristics (1/3)

($V_{CC1} = V_{CC2} = 4.2$ to 5.5 V , $V_{SS} = 0 \text{ V}$, $T_a = T_{opr}$, and $f_{(CPU)} = 50 \text{ MHz}$, unless otherwise noted)

| Symbol | Characteristic | | Measurement Condition | Value (2) | | | Unit |
|----------|---------------------------|---|-----------------------------|-----------------|------|-----------|------|
| | | | | Min. | Typ. | Max. | |
| V_{OH} | High level output voltage | P0_0 to P0_7, P1_0 to P1_7, P2_0 to P2_7, P3_0 to P3_7, P4_0 to P4_7, P5_0 to P5_7 (1) | $I_{OH} = -5 \text{ mA}$ | $V_{CC2} - 2.0$ | | V_{CC2} | V |
| | | P6_0 to P6_7, P7_2 to P7_7, P8_0 to P8_4, P8_6, P8_7, P9_3 to P9_7, P10_0 to P10_7 (1) | $I_{OH} = -5 \text{ mA}$ | $V_{CC1} - 2.0$ | | V_{CC1} | V |
| | | P0_0 to P0_7, P1_0 to P1_7, P2_0 to P2_7, P3_0 to P3_7, P4_0 to P4_7, P5_0 to P5_7 (1) | $I_{OH} = -200 \mu\text{A}$ | $V_{CC2} - 0.3$ | | V_{CC2} | V |
| | | P6_0 to P6_7, P7_2 to P7_7, P8_0 to P8_4, P8_6, P8_7, P9_3 to P9_7, P10_0 to P10_7 (1) | $I_{OH} = -200 \mu\text{A}$ | $V_{CC1} - 0.3$ | | V_{CC1} | V |
| V_{OL} | Low level output voltage | P0_0 to P0_7, P1_0 to P1_7, P2_0 to P2_7, P3_0 to P3_7, P4_0 to P4_7, P5_0 to P5_7, P6_0 to P6_7, P7_0 to P7_7, P8_0 to P8_4, P8_6, P8_7, P9_3 to P9_7, P10_0 to P10_7 (1) | $I_{OL} = 5 \text{ mA}$ | | | 2.0 | V |
| | | P0_0 to P0_7, P1_0 to P1_7, P2_0 to P2_7, P3_0 to P3_7, P4_0 to P4_7, P5_0 to P5_7, P6_0 to P6_7, P7_0 to P7_7, P8_0 to P8_4, P8_6, P8_7, P9_3 to P9_7, P10_0 to P10_7 (1) | $I_{OL} = 200 \mu\text{A}$ | | | 0.45 | V |

Notes:

1. Ports P0_4 to P0_7, P1_0 to P1_4, P3_4 to P3_7, P4, P5, and P9_4 to P9_7 are available in the 100-pin package only.
2. The V_{CC2} pin is available in the 100-pin package only. It should be considered as V_{CC1} in the 64-pin package.

$$V_{CC1} = V_{CC2} = 5 \text{ V}$$

Table 5.16 Electrical Characteristics (2/3)

($V_{CC1} = V_{CC2} = 4.2$ to 5.5 V , $V_{SS} = 0 \text{ V}$, $T_a = T_{opr}$, and $f_{(CPU)} = 50 \text{ MHz}$, unless otherwise noted)

| Symbol | Characteristic | Measurement Condition | Value | | | Unit |
|-------------------|--------------------------|---|---------------------|------|------|----------------------------|
| | | | Min. | Typ. | Max. | |
| $V_{T+} - V_{T-}$ | Hysteresis | HOLD, RDY, NMI, INT0 to INT5, KI0 to KI3, TA0IN to TA4IN, TA0OUT to TA4OUT, TB0IN to TB5IN, CTS0 to CTS8, CLK0 to CLK8, RXD0 to RXD8, SCL0 to SCL6, SDA0 to SDA6, SS0 to SS6, SRXD0 to SRXD6, ADTRG, IIO0_0 to IIO0_7, IIO1_0 to IIO1_7, UD0A, UD0B, UD1A, UD1B, ISCLK2, ISRXD2, IEIN (1) | 0.2 | | 1.0 | V |
| | | | RESET | 0.2 | | 1.8 |
| I_{IH} | High level input current | XIN, RESET, CNVSS, NSD, P0_0 to P0_7, P1_0 to P1_7, P2_0 to P2_7, P3_0 to P3_7, P4_0 to P4_7, P5_0 to P5_7, P6_0 to P6_7, P7_0 to P7_7, P8_0 to P8_7, P9_1, P9_3 to P9_7, P10_0 to P10_7 (2) | $V_I = 5 \text{ V}$ | | | 5.0 μA |
| I_{IL} | Low level input current | XIN, RESET, CNVSS, NSD, P0_0 to P0_7, P1_0 to P1_7, P2_0 to P2_7, P3_0 to P3_7, P4_0 to P4_7, P5_0 to P5_7, P6_0 to P6_7, P7_0 to P7_7, P8_0 to P8_7, P9_1, P9_3 to P9_7, P10_0 to P10_7 (2) | $V_I = 0 \text{ V}$ | | | -5.0 μA |
| R_{PULLUP} | Pull-up resistor | P0_0 to P0_7, P1_0 to P1_7, P2_0 to P2_7, P3_0 to P3_7, P4_0 to P4_7, P5_0 to P5_7, P6_0 to P6_7, P7_2 to P7_7, P8_0 to P8_4, P8_6, P8_7, P9_1, P9_3 to P9_7, P10_0 to P10_7 (2) | $V_I = 0 \text{ V}$ | | | 30 50 170 $\text{k}\Omega$ |
| R_{fXIN} | Feedback resistor | XIN | | 1.5 | | $\text{M}\Omega$ |
| R_{fXCIN} | Feedback resistor | XCIN | | 15 | | $\text{M}\Omega$ |

Notes:

1. Pins TB4IN, CTS4, CLK4, RXD4, SCL4, SDA4, SS4, SRXD4, and UART6, and UART7 are available in the 100-pin package only.
2. Ports P0_4 to P0_7, P1_0 to P1_4, P3_4 to P3_7, P4, P5, P9_1, and P9_4 to P9_7 are available in the 100-pin package only.

$$V_{CC1} = V_{CC2} = 5 \text{ V}$$

Table 5.17 Electrical Characteristics (3/3)

($V_{CC1} = V_{CC2} = 4.2$ to 5.5 V , $V_{SS} = 0 \text{ V}$, and $T_a = T_{opr}$, unless otherwise noted)

| Symbol | Characteristic | Measurement Condition | Value | | | Unit | |
|----------|----------------------|---|---|------|------|------|---------------|
| | | | Min. | Typ. | Max. | | |
| I_{CC} | Power supply current | In single-chip mode, output pins are left open and others are connected to V_{SS} | $f_{(CPU)} = 50 \text{ MHz}$, $f_{(BCLK)} = 25 \text{ MHz}$, $f_{(XIN)} = 8 \text{ MHz}$, Active: XIN, PLL, Stopped: XCIN, OCO | | 32 | 45 | mA |
| | | | $f_{(CPU)} = f_{SO(PLL)}/24 \text{ MHz}$, Active: PLL (self-oscillation), Stopped: XIN, XCIN, OCO | | 10 | | mA |
| | | | $f_{(CPU)} = f_{(BCLK)} = f_{(XIN)}/256 \text{ MHz}$, $f_{(XIN)} = 8 \text{ MHz}$, Active: XIN, Stopped: PLL, XCIN, OCO | | 1.2 | | mA |
| | | | $f_{(CPU)} = f_{(BCLK)} = 32.768 \text{ kHz}$, Active: XCIN, Stopped: XIN, PLL, OCO, Main regulator: shutdown | | 220 | | μA |
| | | | $f_{(CPU)} = f_{(BCLK)} = f_{(OCO)}/4 \text{ kHz}$, Active: OCO, Stopped: XIN, PLL, XCIN, Main regulator: shutdown | | 230 | | μA |
| | | | $f_{(CPU)} = f_{(BCLK)} = f_{(XIN)}/256 \text{ MHz}$, $f_{(XIN)} = 8 \text{ MHz}$, Active: XIN, Stopped: PLL, XCIN, OCO, $T_a = 25^\circ\text{C}$, Wait mode | | 960 | 1600 | μA |
| | | | $f_{(CPU)} = f_{(BCLK)} = 32.768 \text{ kHz}$, Active: XCIN, Stopped: XIN, PLL, OCO, Main regulator: shutdown, $T_a = 25^\circ\text{C}$, Wait mode | | 8 | 140 | μA |
| | | | $f_{(CPU)} = f_{(BCLK)} = f_{(OCO)}/4 \text{ kHz}$, Active: OCO, Stopped: XIN, PLL, XCIN, Main regulator: shutdown, $T_a = 25^\circ\text{C}$, Wait mode | | 10 | 150 | μA |
| | | | Stopped: all clocks, Main regulator: shutdown, $T_a = 25^\circ\text{C}$ | | 5 | 70 | μA |

$$V_{CC1} = V_{CC2} = 5 \text{ V}$$

**Table 5.18 A/D Conversion Characteristics ($V_{CC1} = V_{CC2} = AV_{CC} = V_{REF} = 4.2$ to 5.5 V ,
 $V_{SS} = AV_{SS} = 0 \text{ V}$, $T_a = T_{opr}$, and $f_{(BCLK)} = 25 \text{ MHz}$, unless otherwise noted)**

| Symbol | Characteristic | Measurement Condition | Value | | | Unit | |
|--------------|-------------------------------------|--|---|------|-----------|---------------|-----|
| | | | Min. | Typ. | Max. | | |
| — | Resolution | $V_{REF} = V_{CC1}$ | | | 10 | Bits | |
| — | Absolute error | $V_{REF} = V_{CC1} = V_{CC2} = 5 \text{ V}$ | AN_0 to AN_7, AN0_0 to AN0_7, AN2_0 to AN2_7, ANEX0, ANEX1 (1) | | | ±3 | LSB |
| | | | External op-amp connection mode | | | ±7 | LSB |
| INL | Integral non-linearity error | $V_{REF} = V_{CC1} = V_{CC2} = 5 \text{ V}$ | AN_0 to AN_7, AN0_0 to AN0_7, AN2_0 to AN2_7, ANEX0, ANEX1 (1) | | | ±3 | LSB |
| | | | External op-amp connection mode | | | ±7 | LSB |
| DNL | Differential non-linearity error | | | | ±1 | LSB | |
| — | Offset error | | | | ±3 | LSB | |
| — | Gain error | | | | ±3 | LSB | |
| R_{LADDER} | Resistor ladder | $V_{REF} = V_{CC1}$ | 4 | | 20 | k Ω | |
| t_{CONV} | Conversion time (10 bits) | $\phi_{AD} = 16 \text{ MHz}$, with sample and hold function | 2.06 | | | μs | |
| | | $\phi_{AD} = 16 \text{ MHz}$, without sample and hold function | 3.69 | | | μs | |
| t_{CONV} | Conversion time (8 bits) | $\phi_{AD} = 16 \text{ MHz}$, with sample and hold function | 1.75 | | | μs | |
| | | $\phi_{AD} = 16 \text{ MHz}$, without sample and hold function | 3.06 | | | μs | |
| t_{SAMP} | Sampling time | $\phi_{AD} = 16 \text{ MHz}$ | 0.188 | | | μs | |
| V_{IA} | Analog input voltage | | 0 | | V_{REF} | V | |
| ϕ_{AD} | Operating clock frequency | Without sample and hold function | 0.25 | | 16 | MHz | |
| | | With sample and hold function | 1 | | 16 | MHz | |

Note:

1. Pins AN0_4 to AN0_7, ANEX0, and ANEX1 are available in the 100-pin package only.

$$V_{CC1} = V_{CC2} = 5 \text{ V}$$

**Table 5.19 D/A Conversion Characteristics ($V_{CC1} = V_{CC2} = AV_{CC} = V_{REF} = 4.2$ to 5.5 V ,
 $V_{SS} = AV_{SS} = 0 \text{ V}$, and $T_a = T_{opr}$, unless otherwise noted)**

| Symbol | Characteristic | Measurement Condition | Value | | | Unit |
|------------|-------------------------|-----------------------|-------|------|------|------------------|
| | | | Min. | Typ. | Max. | |
| — | Resolution | | | | 8 | Bits |
| — | Absolute precision | | | | 1.0 | % |
| t_s | Settling time | | | | 3 | μs |
| R_O | Output resistance | | 4 | 10 | 20 | $\text{k}\Omega$ |
| I_{VREF} | Reference input current | See Note 1 | | | 1.5 | mA |

Note:

- One D/A converter is used. The DAi register ($i = 0, 1$) of the other unused converter is set to 00h. The resistor ladder for the A/D converter is not considered.
Even when the VCUT bit in the AD0CON1 register is set to 0 (V_{REF} disconnected), I_{VREF} is supplied.

$$V_{CC1} = V_{CC2} = 5 \text{ V}$$

Timing Requirements ($V_{CC1} = V_{CC2} = 4.2$ to 5.5 V , $V_{SS} = 0 \text{ V}$, and $T_a = T_{opr}$, unless otherwise noted)

Table 5.20 External Clock Input

| Symbol | Characteristic | Value | | Unit |
|-------------|---|-------|------|------|
| | | Min. | Max. | |
| $t_{C(X)}$ | External clock input period | 62.5 | 250 | ns |
| $t_{W(XH)}$ | External clock input high level pulse width | 25 | | ns |
| $t_{W(XL)}$ | External clock input low level pulse width | 25 | | ns |
| $t_{R(X)}$ | External clock input rise time | | 5 | ns |
| $t_{F(X)}$ | External clock input fall time | | 5 | ns |
| t_W / t_C | External clock input duty | 40 | 60 | % |

Table 5.21 External Bus Timing

| Symbol | Characteristic | Value | | Unit |
|----------------|------------------------------|-------|-------------------------------|------|
| | | Min. | Max. | |
| $t_{Su(D-R)}$ | Data setup time before read | 40 | | ns |
| $t_{h(R-D)}$ | Data hold time after read | 0 | | ns |
| $t_{dis(R-D)}$ | Data disable time after read | | $0.5 \times t_{C(Base)} + 10$ | ns |

$$V_{CC1} = V_{CC2} = 5 \text{ V}$$

Timing Requirements ($V_{CC1} = V_{CC2} = 4.2$ to 5.5 V , $V_{SS} = 0 \text{ V}$, and $T_a = T_{opr}$, unless otherwise noted)

Table 5.22 Timer A Input (counting input in event counter mode)

| Symbol | Characteristic | Value | | Unit |
|--------------|------------------------------------|-------|------|------|
| | | Min. | Max. | |
| $t_{C(TA)}$ | TAiIN input clock cycle time | 200 | | ns |
| $t_{W(TAH)}$ | TAiIN input high level pulse width | 80 | | ns |
| $t_{W(TAL)}$ | TAiIN input low level pulse width | 80 | | ns |

Table 5.23 Timer A Input (gating input in timer mode)

| Symbol | Characteristic | Value | | Unit |
|--------------|------------------------------------|-------|------|------|
| | | Min. | Max. | |
| $t_{C(TA)}$ | TAiIN input clock cycle time | 400 | | ns |
| $t_{W(TAH)}$ | TAiIN input high level pulse width | 180 | | ns |
| $t_{W(TAL)}$ | TAiIN input low level pulse width | 180 | | ns |

Table 5.24 Timer A Input (external trigger input in one-shot timer mode)

| Symbol | Characteristic | Value | | Unit |
|--------------|------------------------------------|-------|------|------|
| | | Min. | Max. | |
| $t_{C(TA)}$ | TAiIN input clock cycle time | 200 | | ns |
| $t_{W(TAH)}$ | TAiIN input high level pulse width | 80 | | ns |
| $t_{W(TAL)}$ | TAiIN input low level pulse width | 80 | | ns |

Table 5.25 Timer A Input (external trigger input in pulse-width modulation mode)

| Symbol | Characteristic | Value | | Unit |
|--------------|------------------------------------|-------|------|------|
| | | Min. | Max. | |
| $t_{W(TAH)}$ | TAiIN input high level pulse width | 80 | | ns |
| $t_{W(TAL)}$ | TAiIN input low level pulse width | 80 | | ns |

Table 5.26 Timer A Input (increment/decrement switching input in event counter mode)

| Symbol | Characteristic | Value | | Unit |
|------------------|-------------------------------------|-------|------|------|
| | | Min. | Max. | |
| $t_{C(UP)}$ | TAiOUT input clock cycle time | 2000 | | ns |
| $t_{W(UPH)}$ | TAiOUT input high level pulse width | 1000 | | ns |
| $t_{W(UPL)}$ | TAiOUT input low level pulse width | 1000 | | ns |
| $t_{Su(UP-TIN)}$ | TAiOUT input setup time | 400 | | ns |
| $t_h(TIN-UP)$ | TAiOUT input hold time | 400 | | ns |

$$V_{CC1} = V_{CC2} = 5 \text{ V}$$

Timing Requirements ($V_{CC1} = V_{CC2} = 4.2$ to 5.5 V , $V_{SS} = 0 \text{ V}$, and $T_a = T_{opr}$, unless otherwise noted)

Table 5.27 Timer B Input (counting input in event counter mode)

| Symbol | Characteristic | Value | | Unit |
|--------------|--|-------|------|------|
| | | Min. | Max. | |
| $t_{c(TB)}$ | TBiIN input clock cycle time (one edge counting) | 200 | | ns |
| $t_{W(TBH)}$ | TBiIN input high level pulse width (one edge counting) | 80 | | ns |
| $t_{W(TBL)}$ | TBiIN input low level pulse width (one edge counting) | 80 | | ns |
| $t_{c(TB)}$ | TBiIN input clock cycle time (both edges counting) | 200 | | ns |
| $t_{W(TBH)}$ | TBiIN input high level pulse width (both edges counting) | 80 | | ns |
| $t_{W(TBL)}$ | TBiIN input low level pulse width (both edges counting) | 80 | | ns |

Table 5.28 Timer B Input (pulse period measure mode)

| Symbol | Characteristic | Value | | Unit |
|--------------|------------------------------------|-------|------|------|
| | | Min. | Max. | |
| $t_{c(TB)}$ | TBiIN input clock cycle time | 400 | | ns |
| $t_{W(TBH)}$ | TBiIN input high level pulse width | 180 | | ns |
| $t_{W(TBL)}$ | TBiIN input low level pulse width | 180 | | ns |

Table 5.29 Timer B Input (pulse-width measure mode)

| Symbol | Characteristic | Value | | Unit |
|--------------|------------------------------------|-------|------|------|
| | | Min. | Max. | |
| $t_{c(TB)}$ | TBiIN input clock cycle time | 400 | | ns |
| $t_{W(TBH)}$ | TBiIN input high level pulse width | 180 | | ns |
| $t_{W(TBL)}$ | TBiIN input low level pulse width | 180 | | ns |

$$V_{CC1} = V_{CC2} = 5 \text{ V}$$

Timing Requirements ($V_{CC1} = V_{CC2} = 4.2$ to 5.5 V , $V_{SS} = 0 \text{ V}$, and $T_a = T_{opr}$, unless otherwise noted)

Table 5.30 Serial Interface

| Symbol | Characteristic | Value | | Unit |
|---------------|-----------------------------------|-------|------|------|
| | | Min. | Max. | |
| $t_{c(CK)}$ | CLKi input clock cycle time | 200 | | ns |
| $t_{W(CKH)}$ | CLKi input high level pulse width | 80 | | ns |
| $t_{W(CKL)}$ | CLKi input low level pulse width | 80 | | ns |
| $t_{su(D-C)}$ | RXD _i input setup time | 80 | | ns |
| $t_{h(C-D)}$ | RXD _i input hold time | 90 | | ns |

Table 5.31 A/D Trigger Input

| Symbol | Characteristic | Value | | Unit |
|--------------|---|-----------------------|------|------|
| | | Min. | Max. | |
| $t_{W(ADH)}$ | ADTRG input high level pulse width Hardware trigger input high level pulse width | $\frac{3}{\phi_{AD}}$ | | ns |
| $t_{W(ADL)}$ | ADTRG input low level pulse width Hardware trigger input high level pulse width | 125 | | ns |

Table 5.32 External Interrupt \overline{INT}_i Input

| Symbol | Characteristic | | Value | | Unit |
|--------------|---|-----------------|--------------------|------|------|
| | | | Min. | Max. | |
| $t_{W(INH)}$ | \overline{INT}_i input high level pulse width | Edge sensitive | 250 | | ns |
| | | Level sensitive | $t_{c(CPU)} + 200$ | | ns |
| $t_{W(INL)}$ | \overline{INT}_i input low level pulse width | Edge sensitive | 250 | | ns |
| | | Level sensitive | $t_{c(CPU)} + 200$ | | ns |

Table 5.33 Intelligent I/O

| Symbol | Characteristic | Value | | Unit |
|----------------------|-------------------------------------|-------|------|------|
| | | Min. | Max. | |
| $t_{c(ISCLK2)}$ | ISCLK2 input clock cycle time | 600 | | ns |
| $t_{W(ISCLK2H)}$ | ISCLK2 input high level pulse width | 270 | | ns |
| $t_{W(ISCLK2L)}$ | ISCLK2 input low level pulse width | 270 | | ns |
| $t_{su(RXD-ISCLK2)}$ | ISRXD2 input setup time | 150 | | ns |
| $t_{h(ISCLK2-RXD)}$ | ISRXD2 input hold time | 100 | | ns |

$$V_{CC1} = V_{CC2} = 5 \text{ V}$$

Switching Characteristics ($V_{CC1} = V_{CC2} = 4.2$ to 5.5 V , $V_{SS} = 0 \text{ V}$, and $T_a = T_{opr}$, unless otherwise noted)

Table 5.34 External Bus Timing (separate bus)

| Symbol | Characteristic | Measurement Condition | Value | | Unit |
|---------------|-------------------------------------|-----------------------|-------------------------------|------|------|
| | | | Min. | Max. | |
| $t_{su(S-R)}$ | Chip-select setup time before read | Refer to Figure 5.6 | (1) | | ns |
| $t_{h(R-S)}$ | Chip-select hold time after read | | $t_{c(Base)} - 10$ | | ns |
| $t_{su(A-R)}$ | Address setup time before read | | (1) | | ns |
| $t_{h(R-A)}$ | Address hold time after read | | $t_{c(Base)} - 10$ | | ns |
| $t_{w(R)}$ | Read pulse width | | (1) | | ns |
| $t_{su(S-W)}$ | Chip-select setup time before write | | (1) | | ns |
| $t_{h(W-S)}$ | Chip-select hold time after write | | $1.5 \times t_{c(Base)} - 10$ | | ns |
| $t_{su(A-W)}$ | Address setup time before write | | (1) | | ns |
| $t_{h(W-A)}$ | Address hold time after write | | $1.5 \times t_{c(Base)} - 10$ | | ns |
| $t_{w(W)}$ | Write pulse width | | (1) | | ns |
| $t_{su(D-W)}$ | Data setup time before write | | (1) | | ns |
| $t_{h(W-D)}$ | Data hold time after write | | 0 | | ns |

Note:

- The value is calculated using the formulas below based on the base clock cycles ($t_{c(Base)}$) and respective cycles of $T_{su(A-R)}$, $T_{w(R)}$, $T_{su(A-W)}$, and $T_{w(W)}$ set by registers EBC0 to EBC3. If the calculation results in a negative value, modify the value to be set. For details on how to set values, refer to the User's manual.

$$t_{su(S-R)} = t_{su(A-R)} = T_{su(A-R)} \times t_{c(Base)} - 15 \text{ [ns]}$$

$$t_{w(R)} = T_{w(R)} \times t_{c(Base)} - 10 \text{ [ns]}$$

$$t_{su(S-W)} = t_{su(A-W)} = T_{su(A-W)} \times t_{c(Base)} - 15 \text{ [ns]}$$

$$t_{w(W)} = t_{su(D-W)} = T_{w(W)} \times t_{c(Base)} - 10 \text{ [ns]}$$

$$V_{CC1} = V_{CC2} = 5 \text{ V}$$

Switching Characteristics ($V_{CC1} = V_{CC2} = 4.2$ to 5.5 V , $V_{SS} = 0 \text{ V}$, and $T_a = T_{opr}$, unless otherwise noted)

Table 5.35 External Bus Timing (multiplexed bus)

| Symbol | Characteristic | Measurement Condition | Value | | Unit |
|-----------------|-----------------------------------|-----------------------|-------------------------------|-------------------------------|------|
| | | | Min. | Max. | |
| $t_{su(S-ALE)}$ | Chip-select setup time before ALE | Refer to Figure 5.6 | (1) | | ns |
| $t_{h(R-S)}$ | Chip-select hold time after read | | $1.5 \times t_{c(Base)} - 10$ | | ns |
| $t_{su(A-ALE)}$ | Address setup time before ALE | | (1) | | ns |
| $t_{h(ALE-A)}$ | Address hold time after ALE | | $0.5 \times t_{c(Base)} - 5$ | | ns |
| $t_{h(R-A)}$ | Address hold time after read | | $1.5 \times t_{c(Base)} - 10$ | | ns |
| $t_{d(ALE-R)}$ | ALE-read delay time | | $0.5 \times t_{c(Base)} - 5$ | $0.5 \times t_{c(Base)} + 10$ | ns |
| $t_{w(ALE)}$ | ALE pulse width | | (1) | | ns |
| $t_{dis(R-A)}$ | Address disable time after read | | | 8 | ns |
| $t_{w(R)}$ | Read pulse width | | (1) | | ns |
| $t_{h(W-S)}$ | Chip-select hold time after write | | $1.5 \times t_{c(Base)} - 10$ | | ns |
| $t_{h(W-A)}$ | Address hold time after write | | $1.5 \times t_{c(Base)} - 10$ | | ns |
| $t_{d(ALE-W)}$ | ALE-write delay time | | $0.5 \times t_{c(Base)} - 5$ | $0.5 \times t_{c(Base)} + 10$ | ns |
| $t_{w(W)}$ | Write pulse width | | (1) | | ns |
| $t_{su(D-W)}$ | Data setup time before write | | (1) | | ns |
| $t_{h(W-D)}$ | Data hold time after write | | $0.5 \times t_{c(Base)}$ | | ns |

Note:

- The value is calculated using the formulas below based on the base clock cycles ($t_{c(Base)}$) and respective cycles of $T_{su(A-R)}$, $T_{w(R)}$, $T_{su(A-W)}$, and $T_{w(W)}$ set by registers EBC0 to EBC3. If the calculation results in a negative value, modify the value to be set. For details on how to set values, refer to the User's manual.

$$t_{su(S-ALE)} = t_{su(A-ALE)} = t_{w(ALE)} = (T_{su(A-R)} - 0.5) \times t_{c(Base)} - 15 \text{ [ns]}$$

$$t_{w(R)} = T_{w(R)} \times t_{c(Base)} - 10 \text{ [ns]}$$

$$t_{w(W)} = t_{su(D-W)} = T_{w(W)} \times t_{c(Base)} - 10 \text{ [ns]}$$

$$V_{CC1} = V_{CC2} = 5 \text{ V}$$

Switching Characteristics ($V_{CC1} = V_{CC2} = 4.2$ to 5.5 V , $V_{SS} = 0 \text{ V}$, and $T_a = T_{opr}$, unless otherwise noted)

Table 5.36 Serial Interface

| Symbol | Characteristic | Measurement Condition | Value | | Unit |
|--------------|------------------------|-----------------------|-------|------|------|
| | | | Min. | Max. | |
| $t_{d(C-Q)}$ | TXDi output delay time | Refer to Figure 5.6 | | 80 | ns |
| $t_{h(C-Q)}$ | TXDi output hold time | | 0 | | ns |

Table 5.37 Intelligent I/O

| Symbol | Characteristic | Measurement Condition | Value | | Unit |
|---------------------|--------------------------|-----------------------|-------|------|------|
| | | | Min. | Max. | |
| $t_{d(ISCLK2-TXD)}$ | ISTXD2 output delay time | Refer to Figure 5.6 | | 180 | ns |
| $t_{h(ISCLK2-RXD)}$ | ISTXD2 output hold time | | 0 | | ns |

$$V_{CC1} = V_{CC2} = 3.3 \text{ V}$$

Table 5.38 Electrical Characteristics (1/3) ($V_{CC1} = V_{CC2} = 3.0$ to 3.6 V , $V_{SS} = 0 \text{ V}$, $T_a = T_{opr}$, and $f_{(CPU)} = 50 \text{ MHz}$, unless otherwise noted)

| Symbol | Characteristic | | Measurement Condition | Value (2) | | | Unit |
|-----------------|---------------------------|---|-------------------------|------------------------|------|------------------|------|
| | | | | Min. | Typ. | Max. | |
| V _{OH} | High level output voltage | P0_0 to P0_7, P1_0 to P1_7, P2_0 to P2_7, P3_0 to P3_7, P4_0 to P4_7, P5_0 to P5_7 (1) | I _{OH} = -1 mA | V _{CC2} - 0.6 | | V _{CC2} | V |
| | | P6_0 to P6_7, P7_2 to P7_7, P8_0 to P8_4, P8_6, P8_7, P9_3 to P9_7, P10_0 to P10_7 (1) | I _{OH} = -1 mA | V _{CC1} - 0.6 | | V _{CC1} | V |
| V _{OL} | Low level output voltage | P0_0 to P0_7, P1_0 to P1_7, P2_0 to P2_7, P3_0 to P3_7, P4_0 to P4_7, P5_0 to P5_7, P6_0 to P6_7, P7_0 to P7_7, P8_0 to P8_4, P8_6, P8_7, P9_3 to P9_7, P10_0 to P10_7 (1) | I _{OL} = 1 mA | | | 0.5 | V |

Notes:

1. Ports P0_4 to P0_7, P1_0 to P1_4, P3_4 to P3_7, P4, P5, and P9_4 to P9_7 are available in the 100-pin package only.
2. The V_{CC2} pin is available in the 100-pin package only. It should be considered as V_{CC1} in the 64-pin package.

$$V_{CC1} = V_{CC2} = 3.3 \text{ V}$$

Table 5.39 Electrical Characteristics (2/3) ($V_{CC1} = V_{CC2} = 3.0$ to 3.6 V , $V_{SS} = 0 \text{ V}$, $T_a = T_{opr}$, and $f_{(CPU)} = 50 \text{ MHz}$, unless otherwise noted)

| Symbol | Characteristic | | Measurement Condition | Value | | | Unit |
|-------------------|--------------------------|---|-----------------------|-------|------|------|------------------|
| | | | | Min. | Typ. | Max. | |
| $V_{T+} - V_{T-}$ | Hysteresis | HOLD, RDY, NMI, INT0 to INT5, KI0 to KI3, TA0IN to TA4IN, TA0OUT to TA4OUT, TB0IN to TB5IN, CTS0 to CTS8, CLK0 to CLK8, RXD0 to RXD8, SCL0 to SCL6, SDA0 to SDA6, SS0 to SS6, SRXD0 to SRXD6, ADTRG, IIO0_0 to IIO0_7, IIO1_0 to IIO1_7, UD0A, UD0B, UD1A, UD1B, ISCLK2, ISRXD2, IEIN (1) | | 0.2 | | 1.0 | V |
| | | RESET | | 0.2 | | 1.8 | V |
| I_{IH} | High level input current | XIN, RESET, CNVSS, NSD, P0_0 to P0_7, P1_0 to P1_7, P2_0 to P2_7, P3_0 to P3_7, P4_0 to P4_7, P5_0 to P5_7, P6_0 to P6_7, P7_0 to P7_7, P8_0 to P8_7, P9_1, P9_3 to P9_7, P10_0 to P10_7 (2) | $V_I = 3.3 \text{ V}$ | | | 4.0 | μA |
| I_{IL} | Low level input current | XIN, RESET, CNVSS, NSD, P0_0 to P0_7, P1_0 to P1_7, P2_0 to P2_7, P3_0 to P3_7, P4_0 to P4_7, P5_0 to P5_7, P6_0 to P6_7, P7_0 to P7_7, P8_0 to P8_7, P9_1, P9_3 to P9_7, P10_0 to P10_7 (2) | $V_I = 0 \text{ V}$ | | | -4.0 | μA |
| R_{PULLUP} | Pull-up resistor | P0_0 to P0_7, P1_0 to P1_7, P2_0 to P2_7, P3_0 to P3_7, P4_0 to P4_7, P5_0 to P5_7, P6_0 to P6_7, P7_2 to P7_7, P8_0 to P8_4, P8_6, P8_7, P9_1, P9_3 to P9_7, P10_0 to P10_7 (2) | $V_I = 0 \text{ V}$ | 50 | 100 | 500 | $\text{k}\Omega$ |
| R_{fXIN} | Feedback resistor | XIN | | | 3 | | $\text{M}\Omega$ |
| R_{fXCIN} | Feedback resistor | XCIN | | | 25 | | $\text{M}\Omega$ |

Notes:

1. Pins TB4IN, CTS4, CLK4, RXD4, SCL4, SDA4, SS4, SRXD4, and UART6, and UART7 are available in the 100-pin package only.
2. Ports P0_4 to P0_7, P1_0 to P1_4, P3_4 to P3_7, P4, P5, P9_1, and P9_4 to P9_7 are available in the 100-pin package only.

$$V_{CC1} = V_{CC2} = 3.3 \text{ V}$$

Table 5.40 Electrical Characteristics (3/3)

($V_{CC1} = V_{CC2} = 3.0$ to 3.6 V , $V_{SS} = 0 \text{ V}$, and $T_a = T_{opr}$, unless otherwise noted)

| Symbol | Characteristic | Measurement Condition | Value | | | Unit | |
|----------|----------------------|---|---|------|------|------|---------------|
| | | | Min. | Typ. | Max. | | |
| I_{CC} | Power supply current | In single-chip mode, output pins are left open and others are connected to V_{SS} | $f_{(CPU)} = 50 \text{ MHz}$, $f_{(BCLK)} = 25 \text{ MHz}$, $f_{(XIN)} = 8 \text{ MHz}$, Active: XIN, PLL, Stopped: XCIN, OCO | | 28 | 40 | mA |
| | | XIN-XOUT Drive strength: low | $f_{(CPU)} = f_{SO(PLL)}/24 \text{ MHz}$, Active: PLL (self-oscillation), Stopped: XIN, XCIN, OCO | | 7 | | mA |
| | | XCIN-XCOUT Drive strength: low | $f_{(CPU)} = f_{(BCLK)} = f_{(XIN)}/256 \text{ MHz}$, $f_{(XIN)} = 8 \text{ MHz}$, Active: XIN, Stopped: PLL, XCIN, OCO | | 670 | | μA |
| | | | $f_{(CPU)} = f_{(BCLK)} = 32.768 \text{ kHz}$, Active: XCIN, Stopped: XIN, PLL, OCO, Main regulator: shutdown | | 180 | | μA |
| | | | $f_{(CPU)} = f_{(BCLK)} = f_{(OCO)}/4 \text{ kHz}$, Active: OCO, Stopped: XIN, PLL, XCIN, Main regulator: shutdown | | 190 | | μA |
| | | | $f_{(CPU)} = f_{(BCLK)} = f_{(XIN)}/256 \text{ MHz}$, $f_{(XIN)} = 8 \text{ MHz}$, Active: XIN, Stopped: PLL, XCIN, OCO, $T_a = 25^\circ\text{C}$, Wait mode | | 500 | 900 | μA |
| | | | $f_{(CPU)} = f_{(BCLK)} = 32.768 \text{ kHz}$, Active: XCIN, Stopped: XIN, PLL, OCO, Main regulator: shutdown, $T_a = 25^\circ\text{C}$, Wait mode | | 8 | 140 | μA |
| | | | $f_{(CPU)} = f_{(BCLK)} = f_{(OCO)}/4 \text{ kHz}$, Active: OCO, Stopped: XIN, PLL, XCIN, Main regulator: shutdown, $T_a = 25^\circ\text{C}$, Wait mode | | 10 | 150 | μA |
| | | | Stopped: all clocks, Main regulator: shutdown, $T_a = 25^\circ\text{C}$ | | 5 | 70 | μA |

$$V_{CC1} = V_{CC2} = 3.3 \text{ V}$$

**Table 5.41 A/D Conversion Characteristics ($V_{CC1} = V_{CC2} = AV_{CC} = V_{REF} = 3.0$ to 3.6 V ,
 $V_{SS} = AV_{SS} = 0 \text{ V}$, $T_a = T_{opr}$, and $f_{(BCLK)} = 25 \text{ MHz}$, unless otherwise noted)**

| Symbol | Characteristic | Measurement Condition | Value | | | Unit | |
|--------------|--------------------------------------|---|---|------|-----------|---------------|-----|
| | | | Min. | Typ. | Max. | | |
| — | Resolution | $V_{REF} = V_{CC1}$ | | | 10 | Bits | |
| — | Absolute error | $V_{REF} = V_{CC1} = V_{CC2} = 3.3 \text{ V}$ | AN_0 to AN_7, AN0_0 to AN0_7, AN2_0 to AN2_7, ANEX0, ANEX1 (1) | | | ±5 | LSB |
| | | | External op-amp connection mode | | | ±7 | LSB |
| INL | Integral non-linearity error | $V_{REF} = V_{CC1} = V_{CC2} = 3.3 \text{ V}$ | AN_0 to AN_7, AN0_0 to AN0_7, AN2_0 to AN2_7, ANEX0, ANEX1 (1) | | | ±5 | LSB |
| | | | External op-amp connection mode | | | ±7 | LSB |
| DNL | Differential non- linearity error | $V_{REF} = V_{CC1} = V_{CC2} = 3.3 \text{ V}$ | | | ±1 | LSB | |
| — | Offset error | | | | ±3 | LSB | |
| — | Gain error | | | | ±3 | LSB | |
| R_{LADDER} | Resistor ladder | $V_{REF} = V_{CC1}$ | 4 | | 20 | k Ω | |
| t_{CONV} | Conversion time (10 bits) | $\phi_{AD} = 10 \text{ MHz}$, with sample and hold function | 3.3 | | | μs | |
| t_{CONV} | Conversion time (8 bits) | $\phi_{AD} = 10 \text{ MHz}$, with sample and hold function | 2.8 | | | μs | |
| t_{SAMP} | Sampling time | $\phi_{AD} = 10 \text{ MHz}$ | 0.3 | | | μs | |
| V_{IA} | Analog input voltage | | 0 | | V_{REF} | V | |
| ϕ_{AD} | Operating clock frequency | Without sample and hold function | 0.25 | | 10 | MHz | |
| | | With sample and hold function | 1 | | 10 | MHz | |

Note:

1. Pins AN0_4 to AN0_7, ANEX0, and ANEX1 are available in the 100-pin package only.

$$V_{CC1} = V_{CC2} = 3.3 \text{ V}$$

**Table 5.42 D/A Conversion Characteristics ($V_{CC1} = V_{CC2} = AV_{CC} = V_{REF} = 3.0$ to 3.6 V ,
 $V_{SS} = AV_{SS} = 0 \text{ V}$, and $T_a = T_{opr}$, unless otherwise noted)**

| Symbol | Characteristic | Measurement Condition | Value | | | Unit |
|------------|-------------------------|-----------------------|-------|------|------|------------------|
| | | | Min. | Typ. | Max. | |
| — | Resolution | | | | 8 | Bits |
| — | Absolute precision | | | | 1.0 | % |
| t_s | Settling time | | | | 3 | μs |
| R_O | Output resistance | | 4 | 10 | 20 | $\text{k}\Omega$ |
| I_{VREF} | Reference input current | See Note 1 | | | 1.0 | mA |

Note:

- One D/A converter is used. The DAi register ($i = 0, 1$) of the other unused converter is set to 00h. The resistor ladder for the A/D converter is not considered.
Even when the VCUT bit in the AD0CON1 register is set to 0 (V_{REF} disconnected), I_{VREF} is supplied.

$$V_{CC1} = V_{CC2} = 3.3 \text{ V}$$

Timing Requirements ($V_{CC1} = V_{CC2} = 3.0$ to 3.6 V , $V_{SS} = 0 \text{ V}$, and $T_a = T_{opr}$, unless otherwise noted)

Table 5.43 External Clock Input

| Symbol | Characteristic | Value | | Unit |
|-------------|---|-------|------|------|
| | | Min. | Max. | |
| $t_{C(X)}$ | External clock input period | 62.5 | 250 | ns |
| $t_{W(XH)}$ | External clock input high level pulse width | 25 | | ns |
| $t_{W(XL)}$ | External clock input low level pulse width | 25 | | ns |
| $t_{r(X)}$ | External clock input rise time | | 5 | ns |
| $t_{f(X)}$ | External clock input fall time | | 5 | ns |
| t_W / t_C | External clock input duty | 40 | 60 | % |

Table 5.44 External Bus Timing

| Symbol | Characteristic | Value | | Unit |
|----------------|------------------------------|-------|-------------------------------|------|
| | | Min. | Max. | |
| $t_{su(D-R)}$ | Data setup time before read | 40 | | ns |
| $t_{h(R-D)}$ | Data hold time after read | 0 | | ns |
| $t_{dis(R-D)}$ | Data disable time after read | | $0.5 \times t_{C(Base)} + 10$ | ns |

$$V_{CC1} = V_{CC2} = 3.3 \text{ V}$$

Timing Requirements ($V_{CC1} = V_{CC2} = 3.0$ to 3.6 V , $V_{SS} = 0 \text{ V}$, and $T_a = T_{opr}$, unless otherwise noted)

Table 5.45 Timer A Input (counting input in event counter mode)

| Symbol | Characteristic | Value | | Unit |
|--------------|------------------------------------|-------|------|------|
| | | Min. | Max. | |
| $t_{c(TA)}$ | TAiIN input clock cycle time | 200 | | ns |
| $t_{w(TAH)}$ | TAiIN input high level pulse width | 80 | | ns |
| $t_{w(TAL)}$ | TAiIN input low level pulse width | 80 | | ns |

Table 5.46 Timer A Input (gating input in timer mode)

| Symbol | Characteristic | Value | | Unit |
|--------------|------------------------------------|-------|------|------|
| | | Min. | Max. | |
| $t_{c(TA)}$ | TAiIN input clock cycle time | 400 | | ns |
| $t_{w(TAH)}$ | TAiIN input high level pulse width | 180 | | ns |
| $t_{w(TAL)}$ | TAiIN input low level pulse width | 180 | | ns |

Table 5.47 Timer A Input (external trigger input in one-shot timer mode)

| Symbol | Characteristic | Value | | Unit |
|--------------|------------------------------------|-------|------|------|
| | | Min. | Max. | |
| $t_{c(TA)}$ | TAiIN input clock cycle time | 200 | | ns |
| $t_{w(TAH)}$ | TAiIN input high level pulse width | 80 | | ns |
| $t_{w(TAL)}$ | TAiIN input low level pulse width | 80 | | ns |

Table 5.48 Timer A Input (external trigger input in pulse-width modulation mode)

| Symbol | Characteristic | Value | | Unit |
|--------------|------------------------------------|-------|------|------|
| | | Min. | Max. | |
| $t_{w(TAH)}$ | TAiIN input high level pulse width | 80 | | ns |
| $t_{w(TAL)}$ | TAiIN input low level pulse width | 80 | | ns |

Table 5.49 Timer A Input (increment/decrement switching input in event counter mode)

| Symbol | Characteristic | Value | | Unit |
|------------------|-------------------------------------|-------|------|------|
| | | Min. | Max. | |
| $t_{c(UP)}$ | TAiOUT input clock cycle time | 2000 | | ns |
| $t_{w(UPH)}$ | TAiOUT input high level pulse width | 1000 | | ns |
| $t_{w(UPL)}$ | TAiOUT input low level pulse width | 1000 | | ns |
| $t_{su(UP-TIN)}$ | TAiOUT input setup time | 400 | | ns |
| $t_h(TIN-UP)$ | TAiOUT input hold time | 400 | | ns |

$$V_{CC1} = V_{CC2} = 3.3 \text{ V}$$

Timing Requirements ($V_{CC1} = V_{CC2} = 3.0$ to 3.6 V , $V_{SS} = 0 \text{ V}$, and $T_a = T_{opr}$, unless otherwise noted)

Table 5.50 Timer B Input (counting input in event counter mode)

| Symbol | Characteristic | Value | | Unit |
|--------------|--|-------|------|------|
| | | Min. | Max. | |
| $t_{c(TB)}$ | TBiIN input clock cycle time (one edge counting) | 200 | | ns |
| $t_{w(TBH)}$ | TBiIN input high level pulse width (one edge counting) | 80 | | ns |
| $t_{w(TBL)}$ | TBiIN input low level pulse width (one edge counting) | 80 | | ns |
| $t_{c(TB)}$ | TBiIN input clock cycle time (both edges counting) | 200 | | ns |
| $t_{w(TBH)}$ | TBiIN input high level pulse width (both edges counting) | 80 | | ns |
| $t_{w(TBL)}$ | TBiIN input low level pulse width (both edges counting) | 80 | | ns |

Table 5.51 Timer B Input (pulse period measure mode)

| Symbol | Characteristic | Value | | Unit |
|--------------|------------------------------------|-------|------|------|
| | | Min. | Max. | |
| $t_{c(TB)}$ | TBiIN input clock cycle time | 400 | | ns |
| $t_{w(TBH)}$ | TBiIN input high level pulse width | 180 | | ns |
| $t_{w(TBL)}$ | TBiIN input low level pulse width | 180 | | ns |

Table 5.52 Timer B Input (pulse-width measure mode)

| Symbol | Characteristic | Value | | Unit |
|--------------|------------------------------------|-------|------|------|
| | | Min. | Max. | |
| $t_{c(TB)}$ | TBiIN input clock cycle time | 400 | | ns |
| $t_{w(TBH)}$ | TBiIN input high level pulse width | 180 | | ns |
| $t_{w(TBL)}$ | TBiIN input low level pulse width | 180 | | ns |

$$V_{CC1} = V_{CC2} = 3.3 \text{ V}$$

Timing Requirements ($V_{CC1} = V_{CC2} = 3.0$ to 3.6 V , $V_{SS} = 0 \text{ V}$, and $T_a = T_{opr}$, unless otherwise noted)

Table 5.53 Serial Interface

| Symbol | Characteristic | Value | | Unit |
|---------------|-----------------------------------|-------|------|------|
| | | Min. | Max. | |
| $t_{c(CK)}$ | CLKi input clock cycle time | 200 | | ns |
| $t_{w(CKH)}$ | CLKi input high level pulse width | 80 | | ns |
| $t_{w(CKL)}$ | CLKi input low level pulse width | 80 | | ns |
| $t_{su(D-C)}$ | RXDi input setup time | 80 | | ns |
| $t_{h(C-D)}$ | RXDi input hold time | 90 | | ns |

Table 5.54 A/D Trigger Input

| Symbol | Characteristic | Value | | Unit |
|--------------|---|-----------------------|------|------|
| | | Min. | Max. | |
| $t_{w(ADH)}$ | ADTRG input high level pulse width Hardware trigger input high level pulse width | $\frac{3}{\phi_{AD}}$ | | ns |
| $t_{w(ADL)}$ | ADTRG input low level pulse width Hardware trigger input high level pulse width | 125 | | ns |

Table 5.55 External Interrupt \overline{INTi} Input

| Symbol | Characteristic | | Value | | Unit |
|--------------|--|-----------------|--------------------|------|------|
| | | | Min. | Max. | |
| $t_{w(INH)}$ | \overline{INTi} input high level pulse width | Edge sensitive | 250 | | ns |
| | | Level sensitive | $t_{c(CPU)} + 200$ | | ns |
| $t_{w(INL)}$ | \overline{INTi} input low level pulse width | Edge sensitive | 250 | | ns |
| | | Level sensitive | $t_{c(CPU)} + 200$ | | ns |

Table 5.56 Intelligent I/O

| Symbol | Characteristic | Value | | Unit |
|----------------------|-------------------------------------|-------|------|------|
| | | Min. | Max. | |
| $t_{c(ISCLK2)}$ | ISCLK2 input clock cycle time | 600 | | ns |
| $t_{w(ISCLK2H)}$ | ISCLK2 input high level pulse width | 270 | | ns |
| $t_{w(ISCLK2L)}$ | ISCLK2 input low level pulse width | 270 | | ns |
| $t_{su(RXD-ISCLK2)}$ | ISRXD2 input setup time | 150 | | ns |
| $t_{h(ISCLK2-RXD)}$ | ISRXD2 input hold time | 100 | | ns |

$$V_{CC1} = V_{CC2} = 3.3 \text{ V}$$

Switching Characteristics ($V_{CC1} = V_{CC2} = 3.0$ to 3.6 V , $V_{SS} = 0 \text{ V}$, and $T_a = T_{opr}$, unless otherwise noted)

Table 5.57 External Bus Timing (separate bus)

| Symbol | Characteristic | Measurement Condition | Value | | Unit |
|---------------|-------------------------------------|-----------------------|-------------------------------|------|------|
| | | | Min. | Max. | |
| $t_{su(S-R)}$ | Chip-select setup time before read | Refer to Figure 5.6 | (1) | | ns |
| $t_{h(R-S)}$ | Chip-select hold time after read | | $t_{c(Base)} - 10$ | | ns |
| $t_{su(A-R)}$ | Address setup time before read | | (1) | | ns |
| $t_{h(R-A)}$ | Address hold time after read | | $t_{c(Base)} - 10$ | | ns |
| $t_{w(R)}$ | Read pulse width | | (1) | | ns |
| $t_{su(S-W)}$ | Chip-select setup time before write | | (1) | | ns |
| $t_{h(W-S)}$ | Chip-select hold time after write | | $1.5 \times t_{c(Base)} - 10$ | | ns |
| $t_{su(A-W)}$ | Address setup time before write | | (1) | | ns |
| $t_{h(W-A)}$ | Address hold time after write | | $1.5 \times t_{c(Base)} - 10$ | | ns |
| $t_{w(W)}$ | Write pulse width | | (1) | | ns |
| $t_{su(D-W)}$ | Data setup time before write | | (1) | | ns |
| $t_{h(W-D)}$ | Data hold time after write | | 0 | | ns |

Note:

- The value is calculated using the formulas below based on the base clock cycles ($t_{c(Base)}$) and respective cycles of $T_{su(A-R)}$, $T_{w(R)}$, $T_{su(A-W)}$, and $T_{w(W)}$ set by registers EBC0 to EBC3. If the calculation results in a negative value, modify the value to be set. For details on how to set values, refer to the User's manual.

$$t_{su(S-R)} = t_{su(A-R)} = T_{su(A-R)} \times t_{c(Base)} - 15 \text{ [ns]}$$

$$t_{w(R)} = T_{w(R)} \times t_{c(Base)} - 10 \text{ [ns]}$$

$$t_{su(S-W)} = t_{su(A-W)} = T_{su(A-W)} \times t_{c(Base)} - 15 \text{ [ns]}$$

$$t_{w(W)} = t_{su(D-W)} = T_{w(W)} \times t_{c(Base)} - 10 \text{ [ns]}$$

$$V_{CC1} = V_{CC2} = 3.3 \text{ V}$$

Switching Characteristics ($V_{CC1} = V_{CC2} = 3.0$ to 3.6 V , $V_{SS} = 0 \text{ V}$, and $T_a = T_{opr}$, unless otherwise noted)

Table 5.58 External Bus Timing (multiplexed bus)

| Symbol | Characteristic | Measurement Condition | Value | | Unit |
|-----------------|-----------------------------------|-----------------------|-------------------------------|-------------------------------|------|
| | | | Min. | Max. | |
| $t_{su(S-ALE)}$ | Chip-select setup time before ALE | Refer to Figure 5.6 | (1) | | ns |
| $t_{h(R-S)}$ | Chip-select hold time after read | | $1.5 \times t_{c(Base)} - 10$ | | ns |
| $t_{su(A-ALE)}$ | Address setup time before ALE | | (1) | | ns |
| $t_{h(ALE-A)}$ | Address hold time after ALE | | $0.5 \times t_{c(Base)} - 5$ | | ns |
| $t_{h(R-A)}$ | Address hold time after read | | $1.5 \times t_{c(Base)} - 10$ | | ns |
| $t_{d(ALE-R)}$ | ALE-read delay time | | $0.5 \times t_{c(Base)} - 5$ | $0.5 \times t_{c(Base)} + 10$ | ns |
| $t_{w(ALE)}$ | ALE pulse width | | (1) | | ns |
| $t_{dis(R-A)}$ | Address disable time after read | | | 8 | ns |
| $t_{w(R)}$ | Read pulse width | | (1) | | ns |
| $t_{h(W-S)}$ | Chip-select hold time after write | | $1.5 \times t_{c(Base)} - 10$ | | ns |
| $t_{h(W-A)}$ | Address hold time after write | | $1.5 \times t_{c(Base)} - 10$ | | ns |
| $t_{d(ALE-W)}$ | ALE-write delay time | | $0.5 \times t_{c(Base)} - 5$ | $0.5 \times t_{c(Base)} + 10$ | ns |
| $t_{w(W)}$ | Write pulse width | | (1) | | ns |
| $t_{su(D-W)}$ | Data setup time before write | | (1) | | ns |
| $t_{h(W-D)}$ | Data hold time after write | | $0.5 \times t_{c(Base)}$ | | ns |

Note:

- The value is calculated using the formulas below based on the base clock cycles ($t_{c(Base)}$) and respective cycles of $T_{su(A-R)}$, $T_{w(R)}$, $T_{su(A-W)}$, and $T_{w(W)}$ set by registers EBC0 to EBC3. If the calculation results in a negative value, modify the value to be set. For details on how to set values, refer to the User's manual.

$$t_{su(S-ALE)} = t_{su(A-ALE)} = t_{w(ALE)} = (T_{su(A-R)} - 0.5) \times t_{c(Base)} - 15 \text{ [ns]}$$

$$t_{w(R)} = T_{w(R)} \times t_{c(Base)} - 10 \text{ [ns]}$$

$$t_{w(W)} = t_{su(D-W)} = T_{w(W)} \times t_{c(Base)} - 10 \text{ [ns]}$$

$$V_{CC1} = V_{CC2} = 3.3 \text{ V}$$

Switching Characteristics ($V_{CC1} = V_{CC2} = 3.0$ to 3.6 V , $V_{SS} = 0 \text{ V}$, and $T_a = T_{opr}$, unless otherwise noted)

Table 5.59 Serial Interface

| Symbol | Characteristic | Measurement Condition | Value | | Unit |
|--------------|------------------------|-----------------------|-------|------|------|
| | | | Min. | Max. | |
| $t_{d(C-Q)}$ | TXDi output delay time | Refer to Figure 5.6 | | 80 | ns |
| $t_{h(C-Q)}$ | TXDi output hold time | | 0 | | ns |

Table 5.60 Intelligent I/O

| Symbol | Characteristic | Measurement Condition | Value | | Unit |
|---------------------|--------------------------|-----------------------|-------|------|------|
| | | | Min. | Max. | |
| $t_{d(ISCLK2-TXD)}$ | ISTXD2 output delay time | Refer to Figure 5.6 | | 180 | ns |
| $t_{h(ISCLK2-RXD)}$ | ISTXD2 output hold time | | 0 | | ns |

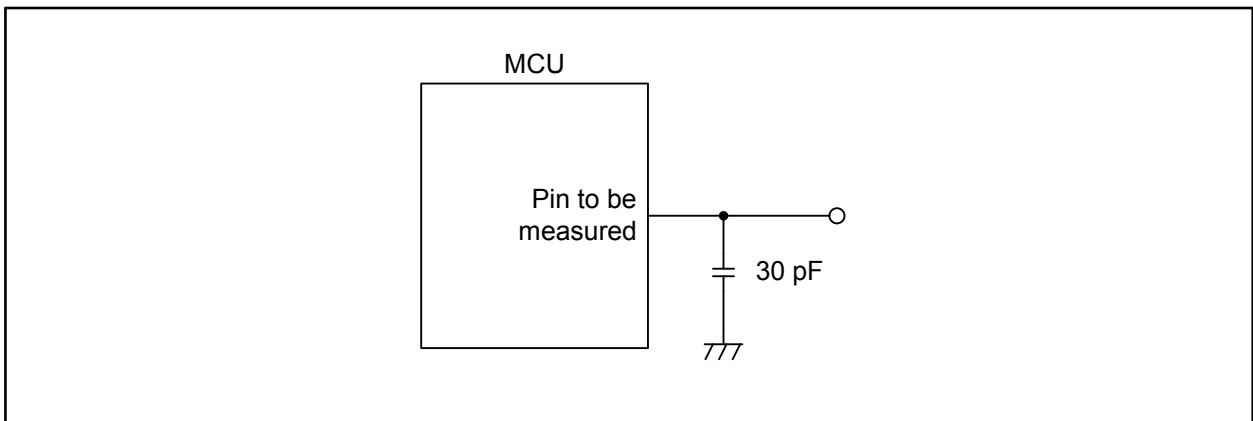


Figure 5.6 Switching Characteristic Measurement Circuit

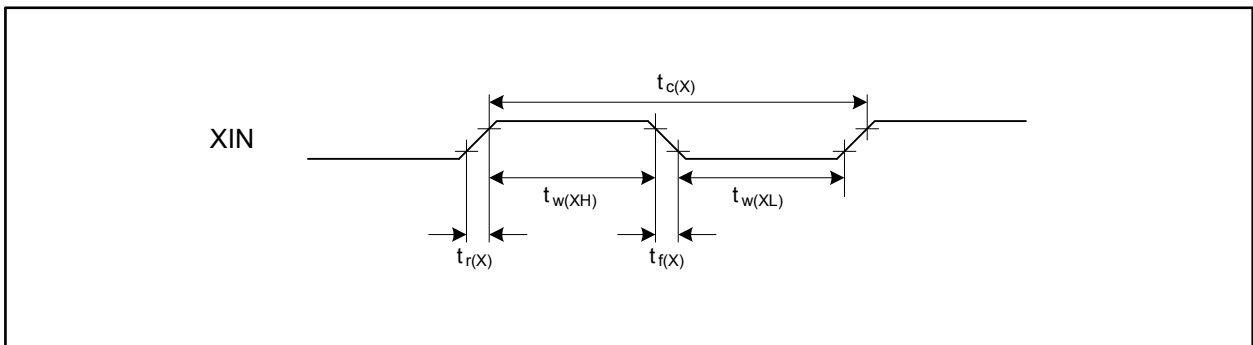


Figure 5.7 External Clock Input Timing

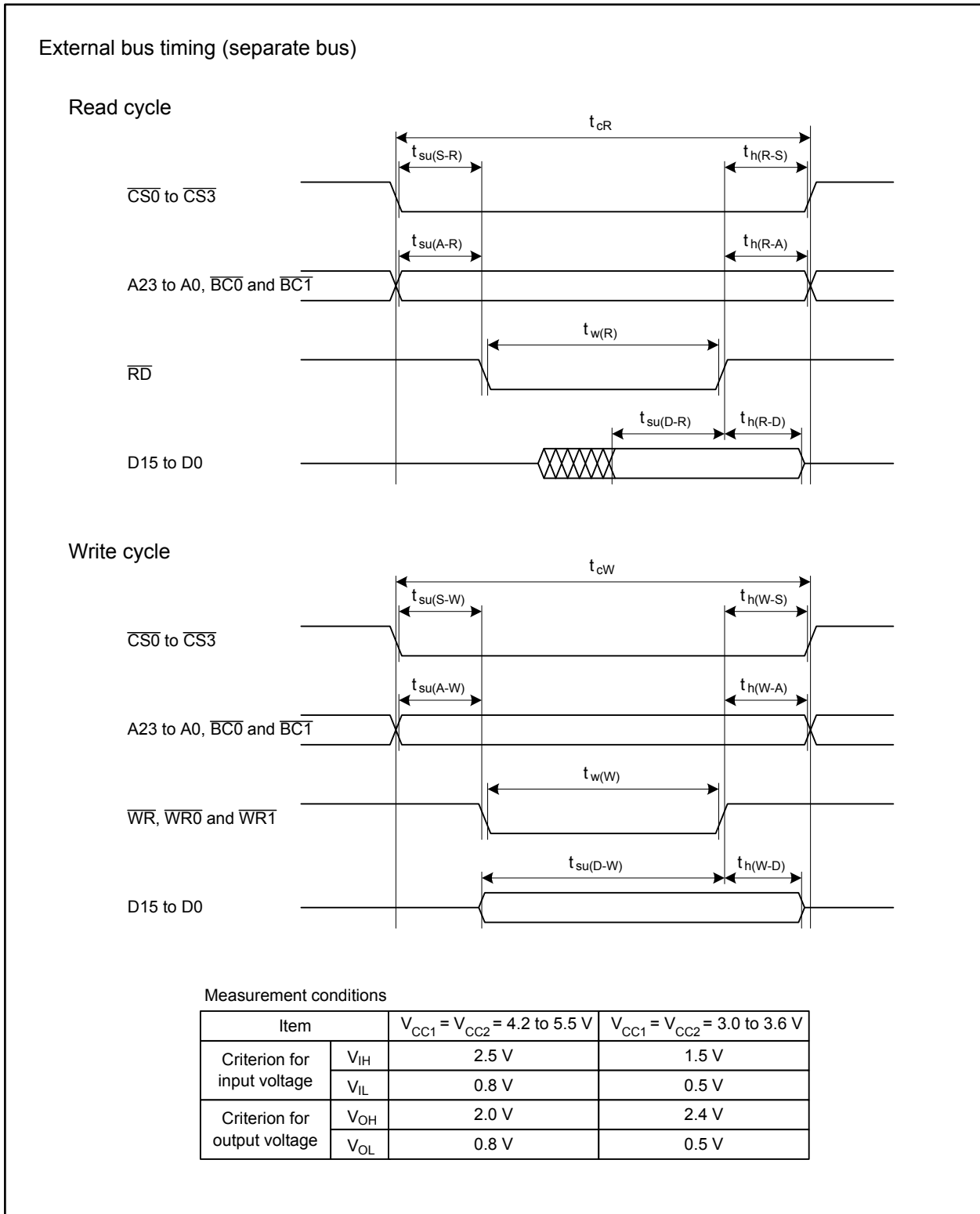


Figure 5.8 External Bus Timing for Separate Bus

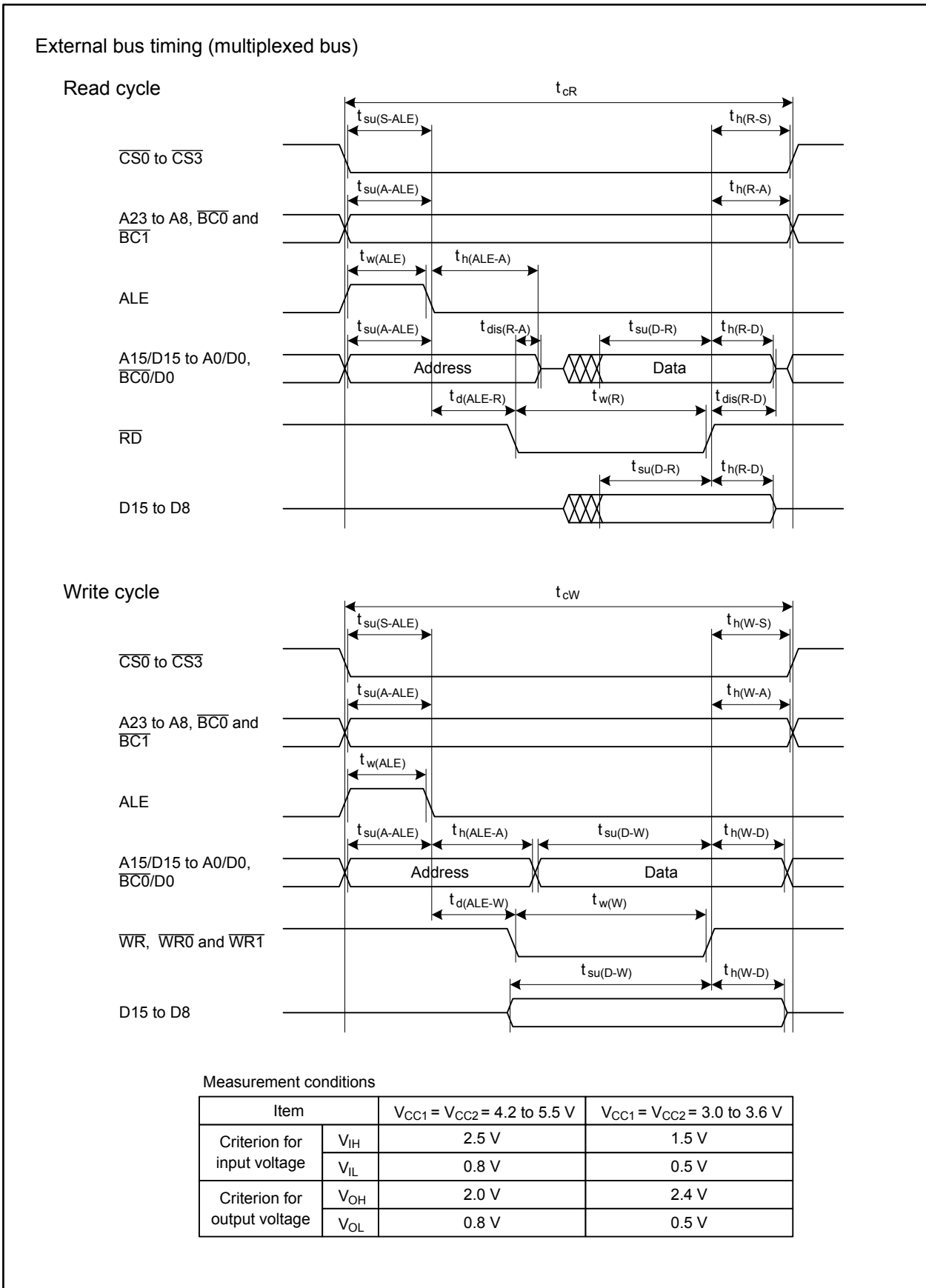
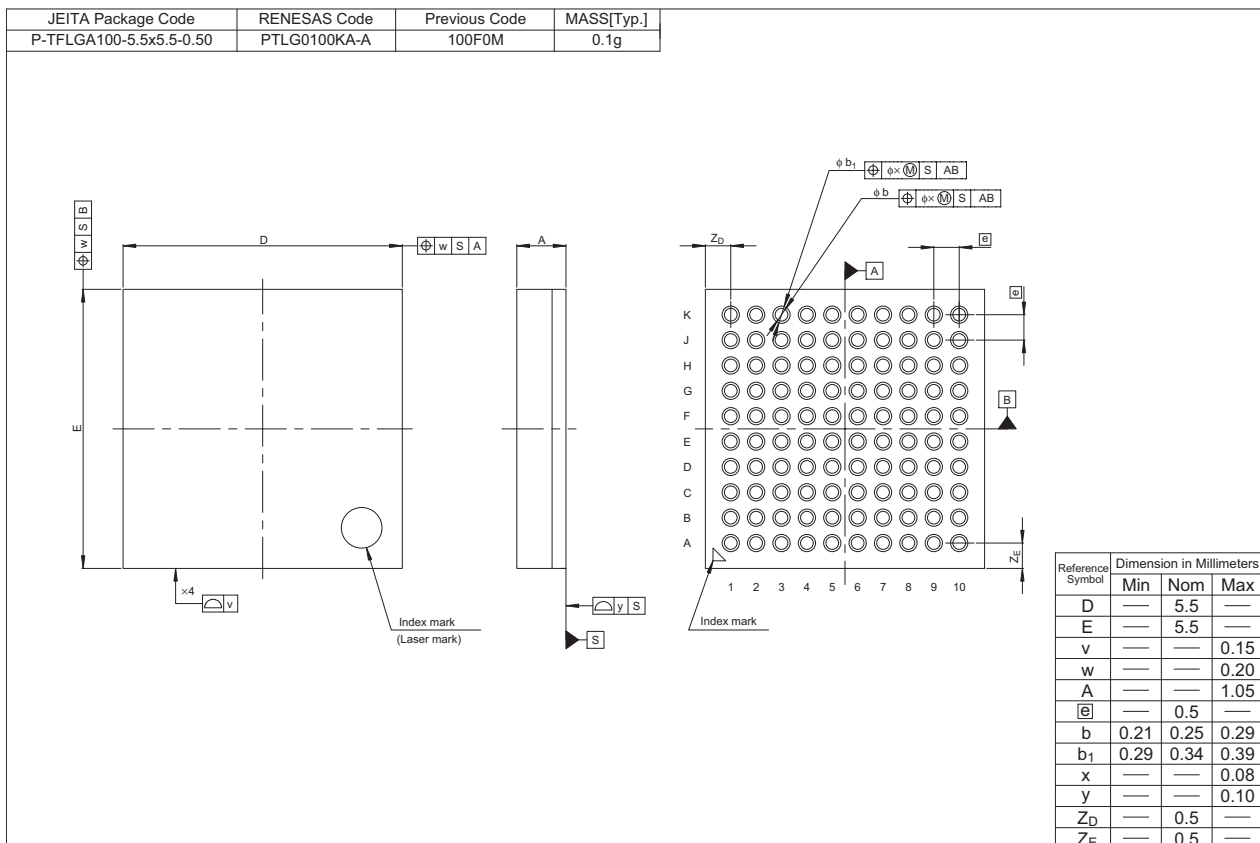
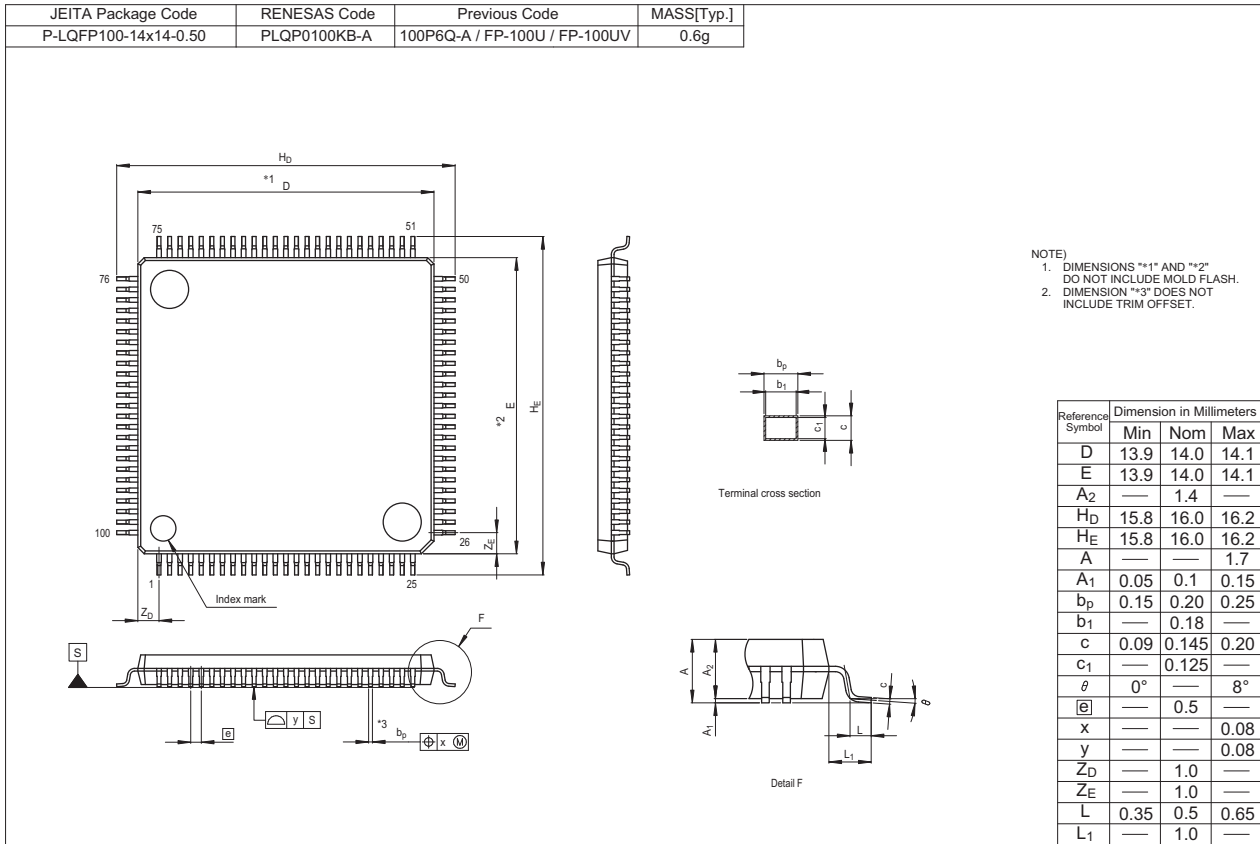


Figure 5.9 External Bus Timing for Multiplexed Bus



Figure 5.10 Timing of Peripherals

Appendix 1. Package Dimensions





| | |
|------------------|--------------------------|
| Revision History | R32C/111 Group Datasheet |
|------------------|--------------------------|

| Rev. | Date | Description | |
|--------|---|-------------|--|
| | | Page | Summary |
| 0.03 | Oct 17, 2007 | — | Initial release |
| 0.30 | Aug 19, 2008 | — | Second edition released |
| | | — | The manual in general <ul style="list-style-type: none"> • Maximum operating frequency changed from 48 MHz to 50 MHz • Specification of on-chip oscillator disclosed • Microprocessor mode becomes optional • “memory-expanded mode” changed to “memory expansion mode” |
| | | — | Chapter 1 |
| | | 1 | <ul style="list-style-type: none"> • “(MCUs)” added to line 1 of 1.1 • Applications in 1.1.1 revised and modified • “Attention Users” below 1.1.1 modified to “Notes to users”; “The specification” in this box changed to “Specifications” |
| | | 2 | <ul style="list-style-type: none"> • “instructions” in “CPU” of Table 1.1 deleted • Minimum instruction execution time in “CPU” of Table 1.1 changed • Microprocessor mode in CPU” of Table 1.1 changed to optional • “TBD” for “Voltage Detection” in Table 1.1 deleted • “3 circuits” for “Clock” in Table 1.1 changed to “4 circuits” • “Total interrupt vectors” in Table 1.1 changed to “Interrupt vectors” • Trigger sources” for DMA in Table 1.1 modified to “Request sources”; Request sources for “DMA” defined as 51 • Scribal error: “peripheral interrupt sources” for “DMACII” in Table 1.1 corrected to “peripheral interrupt source” |
| | | 3 | <ul style="list-style-type: none"> • Unit names in Table 1.2 sorted in chapter order • Description for “A/D Converter” in Table 1.2 changed • “Operating frequency” in Table 1.2 changed from “48 MHz” to “50 MHz” • “version N” and “version D” added to “Operating Temperature” in Table 1.2; “optional” deleted • Values for “Current Consumption” in Table 1.2 added |
| | | 4 | <ul style="list-style-type: none"> • “version N” and “version D” added to Table 1.3 • All “version N”s in Table 1.3 become on planning phase |
| | | 6 | <ul style="list-style-type: none"> • Figure 1.2 modified |
| | | 7 | <ul style="list-style-type: none"> • Note 2 for Figure 1.3 modified |
| | | 8 | <ul style="list-style-type: none"> • Scribal error: “CLK5/” (pin No. 21) in Table 1.4 corrected to “CLK5” |
| 11 | <ul style="list-style-type: none"> • Description for “Connecting pins for decoupling capacitor”, “CNVSS”, and “Debug port” in Table 1.7 modified | | |
| 12 | <ul style="list-style-type: none"> • Some descriptions for “$\overline{WR0}/\overline{WR1}/\overline{WR}/\overline{BC0}/\overline{BC1}/\overline{RD}$” of “Bus control pins” in Table 1.8 modified | | |
| 13, 14 | <ul style="list-style-type: none"> • Functional category items in Tables 1.9 and 1.10 sorted in chapter order; Descriptions modified | | |
| — | Chapter 2 | | |
| 15 | <ul style="list-style-type: none"> • Descriptions for this chapter modified; Expression “DMAC-related registers”s modified to “DMAC-associated registers”s • “Data register” and “Address register” in Figure 2.1 pluralized; Explanation in Notes 1 and 2 for this figure revised | | |

| | |
|------------------|--------------------------|
| Revision History | R32C/111 Group Datasheet |
|------------------|--------------------------|

| Rev. | Date | Description | |
|------|------|-------------|---|
| | | Page | Summary |
| | | 15, 16 | <ul style="list-style-type: none"> • “Interrupt table register” in Figure 2.1 and 2.1.6 changed to “Interrupt vector table base register” |
| | | 18 | <ul style="list-style-type: none"> • Scribal error: “24 bit” in 2.2.2 corrected to “32 bit” |
| | | 19 | Chapter 3 <ul style="list-style-type: none"> • Descriptions for this chapter and Figure 3.1 modified |
| | | 20 | Chapter 4 <ul style="list-style-type: none"> • “(SFR)” of chapter title changed to “(SFRs)” • Description for initial paragraph of Chapter 4 modified • Reset value for CCR and PBC in Table 4.1 changed |
| | | 21, 22 | <ul style="list-style-type: none"> • “UARTi Bus Collision Detection Interrupt Control Register” (i = 0 to 6) in Tables 4.2 and 4.3 changed to “UARTi Bus Collision, Start/Stop Condition Detection Interrupt Control Register” • “DMAi interrupt” in Tables 4.2 and 4.3 changed to “DMAi transfer complete interrupt” |
| | | 22 | <ul style="list-style-type: none"> • Reset value for IIO3IR and IIO8IR to IIO11R in Table 4.3 modified |
| | | 25 | <ul style="list-style-type: none"> • Scribal error: address “00010Fh” added to Table 4.6 |
| | | 32 | <ul style="list-style-type: none"> • “Upward/Downward Counting Select Register” in Table 4.13 changed to “Increment/Decrement Counting Select Register” |
| | | 38 | <ul style="list-style-type: none"> • CSOP2 for address 040056h in Table 4.19 deleted • Reset value for CM3 in Table 4.19 changed |
| | | 43 | <ul style="list-style-type: none"> • “DMAi Source Select Register i” in Table 4.24 changed to “DMAi Request Source Select Register i” |
| | | — | Chapter 5 <ul style="list-style-type: none"> • This chapter newly added |
| | | 81 | Appendix 1 <ul style="list-style-type: none"> • “Package Dimension” as title changed to “Package Dimensions” |
| | | 1.10 | Sep 17, 2009 |
| | | — | The manual in general <ul style="list-style-type: none"> • Added 100-pin plastic molded LGA and 80- and 64-pin plastic molded LQFP packages • When new tables/figures are added for 80-/64-pin packages, add the following description: “(for the 100-pin package)” to the title of corresponding current tables/figures |
| | | 1 | Chapter 1. Overview <ul style="list-style-type: none"> • Added description for 100-pin LGA and 80-/64-pin packages to lines 12 and 13 of 1.1; Added description “a maximum of” to “nine channels of serial interface”; Deleted the whole description of “Notes to users” |
| | | 2 | <ul style="list-style-type: none"> • Changed minimum RAM size “40” in Table 1.1, to “32” • Modified description for “External Bus Expansion”, to Table 1.1; Moved this unit below “Clock” |
| | | 3 | <ul style="list-style-type: none"> • Added “(optional)” for IEBus mode for “Intelligent I/O” in Table 1.2 • Modified description for “Flash memory” in Tables 1.2 |
| | | 4-7 | <ul style="list-style-type: none"> • Added “100-pin plastic molded TFLGA (PTLG0100KA-A)” to Table 1.2 • Added Tables 1.3 to 1.6 to provide specifications for 80-/64-pin packages |

| | |
|------------------|--------------------------|
| Revision History | R32C/111 Group Datasheet |
|------------------|--------------------------|

| Rev. | Date | Description | |
|------|------|--------------------------|---|
| | | Page | Summary |
| | | 8 | <ul style="list-style-type: none"> • Completed “under development” phase of part numbers R5F64110DFB, R5F64111DFB, R5F64112DFB, R5F64114DFB, R5F64115DFB, and R5F64116DFB in Table 1.7 • Added product information for 100-pin LGA and 80-/64-pin packages to Table 1.7 |
| | | 9 | <ul style="list-style-type: none"> • Added product information for 100-pin LGA and 80-/64-pin packages, and 32-Kbyte RAM to Figure 1.1 • Deleted hyphenation for part number in Figure 1.1 |
| | | 11, 12, 14, 18, 21 | <ul style="list-style-type: none"> • Added Figures 1.3, 1.4, and 1.6 to 1.8 to provide block diagrams and pin assignment for 100-pin LGA and 80-/64-pin packages |
| | | 13 | <ul style="list-style-type: none"> • Changed the order of Notes in Figures 1.5 |
| | | 15-17 | <ul style="list-style-type: none"> • Added pin No. for 100-pin LGA package to Tables 1.8 to 1.10 |
| | | 19, 20, 22, 23 | <ul style="list-style-type: none"> • Added Tables 1.11 to 1.14 to provide pin characteristics for 80-/64-pin packages. |
| | | 24 | <ul style="list-style-type: none"> • Changed the following expression: “A ceramic resonator or a crystal oscillator” for “Main clock input/output” in Table 1.15, to “A crystal, or a ceramic resonator” |
| | | 25 | <ul style="list-style-type: none"> • Modified descriptions for $\overline{\text{HLDA}}$ and $\overline{\text{RDY}}$ of “Bus control pins” in Table 1.16 |
| | | 26 | <ul style="list-style-type: none"> • Changed the following expression: “selected” for “Input port” in Table 1.17, to “selectable” • Modified description “TXD2” for TXD0 to TXD8 of “Serial interface” in Table 1.17, to “TXD2 output” |
| | | 28-30 | <ul style="list-style-type: none"> • Added Tables 1.19 to 1.21 to provide pin definitions and functions for 80-/64-pin packages |
| | | | Chapter 2. CPU |
| | | — | <ul style="list-style-type: none"> • Made major text modifications to this chapter |
| | | 33 | <ul style="list-style-type: none"> • Changed the following expression: “a requested interrupt’s priority level” in line 2 of 2.1.8.11, to “the interrupt request level” |
| | | | Chapter 3. Memory |
| | | 35 | <ul style="list-style-type: none"> • Made major text modifications to this chapter • Changed RAM size “40” in line 7 of this chapter, to “63”, and address “0000A3FFh” in line 8, to “0000FFFFh” • Added descriptions for 32-Kbyte RAM and 128-Kbyte ROM to Figure 3.1 • Changed two “can be”s in Notes 3 and 4 of Figure 3.1, to “becomes”s |
| | | | Chapter 4. SFRs |
| | | 36 | <ul style="list-style-type: none"> • Changed hexadecimal format of reset values for registers CCR and FMCR in Table 4.1, to binary • Added FEBC3 register to addresses 000010h-000011h in Table 4.1 • Changed FEBC register for addresses 00001Ch-00001Dh, to FEBC0 in Table 4.1 • Modified the following register name in Table 4.1: “Chip-select Boundary (between n and n + 1) Setting Register”, to “Chip-select n and n + 1 Boundary Setting Register” |

| | |
|------------------|--------------------------|
| Revision History | R32C/111 Group Datasheet |
|------------------|--------------------------|

| Rev. | Date | Description | |
|------|------|--|--|
| | | Page | Summary |
| | | 37, 38 | <ul style="list-style-type: none"> • Changed register names associated with “Start/Stop Condition” for BCNiIC in Tables 4.2 and 4.3, to “Start Condition/Stop Condition” |
| | | 45 | <ul style="list-style-type: none"> • Modified reset values “XXXX XXXXb” and “XXXX 000Xb” for registers U7RB and U8RB in Table 4.10, to “XXXXh” |
| | | 46 | <ul style="list-style-type: none"> • Changed expression of register name “Xi Register Yi Register” (i = 0 to 15) and register symbol “XiR, YiR” in Table 4.11, to “Xi Register/Yi Register” and “XiR/YiR”, respectively |
| | | 51 | <ul style="list-style-type: none"> • Changed hexadecimal format of reset values for PDi in Table 4.16, to binary |
| | | 54 | <ul style="list-style-type: none"> • Modified Note 1 in Table 4.19 |
| | | 55 | <ul style="list-style-type: none"> • Merged addresses 40090h to 40093h in Table 4.20, into previous page • Modified reset values for IFS0 and IFS2 in Table 4.20; Added Notes 1 to 3 for 80-/64-pin packages and IFS7 register |
| | | 55-57 | <ul style="list-style-type: none"> • Modified the following register name in Tables 4.20 to 4.22: “Port Pi_j Port Function Select Register”, to “Port Pi_j Function Select Register” |
| | | 59 | <ul style="list-style-type: none"> • Modified register name “DMAi Request Source Select Register 1” in Table 4.24, to “DMAi Request Source Select Register” • Changed register names “Wake-up Interrupt Priority Level Control Register 2” and “Wake-up Interrupt Priority Level Control Register 1” in Table 4.24, to “Wake-up IPL Setting Register 2” and “Wake-up IPL Setting Register 1”, respectively |
| | | Chapter 5. Electrical Characteristics | |
| | | 60 | <ul style="list-style-type: none"> • Added Notes 2 and 3 for 80-/64-pin packages to Table 5.1 |
| | | 61 | <ul style="list-style-type: none"> • Added specification of “dV_{CC1}/dt” to Table 5.2; Added Notes 2, 4, and 5 for 80-/64-pin packages |
| | | 62 | <ul style="list-style-type: none"> • Added Note 2 for Table 5.3 |
| | | 63 | <ul style="list-style-type: none"> • Added Note 3 for 80-/64-pin packages to Table 5.4 |
| | | 65 | <ul style="list-style-type: none"> • Modified description “V_{CC}”s in Table 5.6, to “V_{CC1}”s and “V_{CC2}”s |
| | | 66 | <ul style="list-style-type: none"> • Added Table 5.7 to provide RAM electrical characteristics • Deleted specification of “t_{PS}” from Table 5.8 |
| | | 67 | <ul style="list-style-type: none"> • Deleted measurement condition for power supply circuit timing characteristics in Table 5.9 • Added “Supply voltage for internal logic” to Figure 5.3 and deleted “CPU clock” from the figure • Changed voltage condition for Table 5.11, from “V_{CC1} = V_{CC2} = 3.3 to 5.5 V” to “V_{CC1} = V_{CC2} = 4.2 to 5.5 V”; Clarified maximum value for “ΔV_{det}” in Table 5.11; Modified self-consuming current “V_{CC}”, to “V_{CC1}” |
| | | 68 | <ul style="list-style-type: none"> • Changed typical value and maximum value for f_{SO(PLL)} in Table 5.12, to “55” and “80” respectively • Changed the following expressions: “PLL frequency synthesizer stabilization time” in Table 5.12, to “PLL lock time” and “t_{OSC(PLL)}”, to “t_{LOCK(PLL)}” • Modified description for Note1 of Table 5.13 |

| | |
|------------------|--------------------------|
| Revision History | R32C/111 Group Datasheet |
|------------------|--------------------------|

| Rev. | Date | Description | |
|------|--------------|--|--|
| | | Page | Summary |
| | | 70, 82 71, 83 72, 84 73, 85 75, 87 78 78, 90 79, 91 80, 92 81, 93 83 85 87 95 96 | <ul style="list-style-type: none"> • Added Notes 1 and 2 for 80-/64-pin packages to Tables 5.15 and 5.38 • Deleted ports P7_0, P7_1, and P8_5 for R_{PULLUP} from Tables 5.16 and 5.39; Added Notes 1 and 2 for 80-/64-pin packages • Added “XIN” as “Active” to first, third, and sixth rows of Tables 5.17 and 5.40 • Deleted specification of ICC under condition “Ta = 85°C” from Tables 5.17 and 5.40 • Modified minimum value “0.125” for ϕ_{AD} in Tables 5.18 and 5.41, to “0.25”; Added Note 1 for 80-/64-pin packages • Clarified three “TBD”s for external bus timing in Tables 5.21 and 5.44 • Corrected a typo “$t_{h(C-Q)}$” in Table 5.30, to “$t_{h(C-D)}$” • Modified maximum value for $t_{h(C-D)}$ “30” in Tables 5.30 and 5.53, to “80” • Modified minimum value for $t_{w(ADH)}$ in Tables 5.31 and 5.54, to “$\frac{3}{\phi_{AD}}$” • Added Tables 5.33 and 5.56 to provide intelligent I/O timing requirements • Changed the third formula of Note 1 in Tables 5.34 and 5.57 • Modified minimum value of $t_{h(W-D)}$ “0” in Tables 5.35 and 5.58, to “0.5 x $t_{c(Base)}$”; Changed the first formula of Note 1 • Modified “Characteristic” for $t_{h(C-Q)}$ in Tables 5.36 and 5.59, from “TXDi hold time” to “TXDi output hold time” • Added Tables 5.37 and 5.60 to provide intelligent switching characteristics • Changed measurement condition for “High level input current” in Table 5.39, from “$V_I = 3\text{ V}$” to “$V_I = 3.3\text{ V}$” • Added a skipped word “error” after “Differential non-linearity” in Table 5.41 • Corrected typos “$t_{w(H)}$”, “$t_{w(L)}$”, “t_r”, and “t_f” in Table 5.43, to “$t_{w(XH)}$”, “$t_{w(XL)}$”, “$t_{r(X)}$”, and “$t_{f(X)}$”, respectively • Changed D15 to D0 output period of write cycle in Figures 5.8 • Changed D15 to D8 output period of write cycle in Figures 5.9 |
| | | 98, 99 | <p>Appendix 1</p> <ul style="list-style-type: none"> • Added figures for 100-pin plastic molded LGA, and 80-/64-pin plastic molded LQFP packages |
| 1.20 | Sep 26, 2011 | — | Fourth edition released |
| | | — | <p>The manual in general</p> <ul style="list-style-type: none"> • Applied new Renesas templates and formats to the manual • Changed company name to “Renesas Electronics Corporation” and changed related descriptions due to business merger of Renesas Technology Corporation and NEC Electronics Corporation • Modified expressions “version N” and “version D” to “N version” and “D version”, respectively (under Chapters 1 and 5) |
| | | — | <p>Chapter 1. Overview</p> <ul style="list-style-type: none"> • Modified wording and enhanced description in this chapter |

| | |
|------------------|--------------------------|
| Revision History | R32C/111 Group Datasheet |
|------------------|--------------------------|

| Rev. | Date | Description | |
|------|------|-------------|---|
| | | Page | Summary |
| | | 2, 4, 6 | <ul style="list-style-type: none"> • Modified the following expressions in Tables 1.1, 1.3, and 1.5: “Main clock oscillator stop/re-oscillation detection” to “Main clock oscillator stop/restart detection”, and “inputs/outputs” to “I/O ports” |
| | | 3 | <ul style="list-style-type: none"> • Deleted Note 1 from Table 1.2 |
| | | 4, 6 | <ul style="list-style-type: none"> • Deleted memory expansion mode and microprocessor mode from the operating mode of the CPU in Tables 1.3 and 1.5 |
| | | 5, 7 | <ul style="list-style-type: none"> • Deleted Note 2 from Tables 1.4 and 1.6 |
| | | 7 | <ul style="list-style-type: none"> • Corrected package code in Table 1.6 to “PLQP0064KB-A” |
| | | 8 | <ul style="list-style-type: none"> • Completed “under development” phase of R5F6411EDFN in Table 1.7 |
| | | 10-12 | <ul style="list-style-type: none"> • Deleted Note 1 from Figures 1.2 to 1.4 |
| | | 13 | <ul style="list-style-type: none"> • Corrected a typo “R5_3” for pin number 41 in Figure 1.5 to “P5_3” |
| | | 13, 18, 21 | <ul style="list-style-type: none"> • Changed order of signals in Figures 1.5, 1.7, and 1.8 |
| | | 15, 19, 22 | <ul style="list-style-type: none"> • Changed order of timer pins “TB5IN/TA0IN” in Tables 1.8, 1.11, and 1.13 to “TA0IN/TB5IN” |
| | | 24 | <ul style="list-style-type: none"> • Modified expression “fC” in Table 1.15 to “low speed clocks” |
| | | | Chapter 2. CPU |
| | | — | <ul style="list-style-type: none"> • Modified wording and enhanced description in this chapter |
| | | 32 | <ul style="list-style-type: none"> • Corrected a typo “R3R0” in line 3 of 2.1.1 to “R3R1” |
| | | | Chapter 3. Memory |
| | | — | <ul style="list-style-type: none"> • Modified wording and enhanced description in this chapter |
| | | | Chapter 4. SFRs |
| | | — | <ul style="list-style-type: none"> • Modified wording and enhanced description in this chapter |
| | | 41, 42, 44 | <ul style="list-style-type: none"> • Changed hexadecimal format of reset values for registers G1BCR0, G2BCR0, and G0BCR0 in Tables 4.6, 4.7, and 4.9 to binary |
| | | 41, 44 | <ul style="list-style-type: none"> • Changed register name “Group i Timer Measurement Prescaler Register” in Tables 4.6 and 4.9 to “Group i Time Measurement Prescaler Register” |
| | | 43 | <ul style="list-style-type: none"> • Modified expression “IE Bus” in Table 4.8 to “IEBus” |
| | | 46 | <ul style="list-style-type: none"> • Modified expression “XY Control Register” in Table 4.11 to “X-Y Control Register” |
| | | 48 | <ul style="list-style-type: none"> • Changed register name “UART2 Transmission/Receive Mode Register” and “Increment/Decrement Counting Select Register” in Table 4.13 to “UART2 Transmit/Receive Mode Register” and “Increment/Decrement Select Register”, respectively; Changed hexadecimal format of reset values for registers TABSR, ONSF, and TRGSR to binary |
| | | 50 | <ul style="list-style-type: none"> • Changed reset value “X00X X000b” for AD0CON2 register in Table 4.15 to “XX0X X000b” |
| | | 59 | <ul style="list-style-type: none"> • Changed register name “External Interrupt Source Select Register i” in Table 4.24 to “External Interrupt Request Source Select Register i” |
| | | | Chapter 5. Electrical Characteristics |
| | | — | <ul style="list-style-type: none"> • Modified wording and enhanced description in this chapter |
| | | | <ul style="list-style-type: none"> • Changed expression “clock period” to “clock cycle time” |
| | | 61 | <ul style="list-style-type: none"> • Changed format for ports P0 and P1 in Table 5.2 |

| | |
|------------------|--------------------------|
| Revision History | R32C/111 Group Datasheet |
|------------------|--------------------------|

| Rev. | Date | Description | |
|------|-------------|-------------|---|
| | | Page | Summary |
| | | 66 | <ul style="list-style-type: none"> Changed expression “Programming and erasure endurance” in Table 5.8 to “Program and erase cycles”; Changed its unit “times” in the table and Note 1 to “Cycles” |
| | | 68 | <ul style="list-style-type: none"> Changed order of descriptions of “$t_{rec(STOP)}$” and “$t_{rec(WAIT)}$” in Table 5.13 and Figure 5.4 |
| | | 69 | <ul style="list-style-type: none"> Changed expressions “$\overline{CS0}$” and “A23 to A0, $\overline{BC0}$ to $\overline{BC3}$” in Figure 5.5 to “Chip select” and “Address”, respectively |
| | | 78, 90 | <ul style="list-style-type: none"> Corrected “INTi” in title of Tables 5.32 and 5.55 to “\overline{INTi}” |
| | | 81, 93 | <ul style="list-style-type: none"> Added measurement condition to Tables 5.37 and 5.60 |
| | | | Appendix 1. Package Dimensions |
| | | 98-99 | <ul style="list-style-type: none"> Added a seating plane to the drawing of package dimension |
| 1.30 | Mar 3, 2014 | — | Fifth edition released |
| | | — | <ul style="list-style-type: none"> Deleted description for the 80-pin package |
| | | | Chapter 1. Overview |
| | | — | <ul style="list-style-type: none"> Modified wording and enhanced description in this chapter |
| | | 1 | <ul style="list-style-type: none"> Modified expression “I²C” in line 9 of 1.1 to “I²C-bus interface” |
| | | 2, 4 | <ul style="list-style-type: none"> Modified expressions “calculation transfer” and “chained transfer” in Tables 1.1 and 1.3 to “calculation result transfer” and “chain transfer”, respectively |
| | | 5 | <ul style="list-style-type: none"> Deleted N version from the Operating Temperature row in Table 1.4 |
| | | 6 | <ul style="list-style-type: none"> Deleted products on planning phase from Table 1.5 |
| | | 20, 23 | <ul style="list-style-type: none"> Modified expression “I²C bus” in Tables 1.13 and 1.16 to “I²C-bus” |
| | | | Chapter 2. CPU |
| | | — | <ul style="list-style-type: none"> Modified wording and enhanced description in this chapter |
| | | | Chapter 5. Electrical Characteristics |
| | | — | <ul style="list-style-type: none"> Modified wording and enhanced description in this chapter |
| | | 65, 77 | <ul style="list-style-type: none"> Deleted TXD4, STXD4, and $\overline{RTS4}$ from Tables 5.16 and 5.39 |
| | | 66, 78 | <ul style="list-style-type: none"> Modified description “Drive power” in Tables 5.17 and 5.40 to “Drive strength” |

All trademarks and registered trademarks are the property of their respective owners.

General Precautions in the Handling of MPU/MCU Products

The following usage notes are applicable to all MPU/MCU products from Renesas. For detailed usage notes on the products covered by this document, refer to the relevant sections of the document as well as any technical updates that have been issued for the products.

1. Handling of Unused Pins

Handle unused pins in accordance with the directions given under Handling of Unused Pins in the manual.

- The input pins of CMOS products are generally in the high-impedance state. In operation with an unused pin in the open-circuit state, extra electromagnetic noise is induced in the vicinity of LSI, an associated shoot-through current flows internally, and malfunctions occur due to the false recognition of the pin state as an input signal become possible. Unused pins should be handled as described under Handling of Unused Pins in the manual.

2. Processing at Power-on

The state of the product is undefined at the moment when power is supplied.

- The states of internal circuits in the LSI are indeterminate and the states of register settings and pins are undefined at the moment when power is supplied.

In a finished product where the reset signal is applied to the external reset pin, the states of pins are not guaranteed from the moment when power is supplied until the reset process is completed. In a similar way, the states of pins in a product that is reset by an on-chip power-on reset function are not guaranteed from the moment when power is supplied until the power reaches the level at which resetting has been specified.

3. Prohibition of Access to Reserved Addresses

Access to reserved addresses is prohibited.

- The reserved addresses are provided for the possible future expansion of functions. Do not access these addresses; the correct operation of LSI is not guaranteed if they are accessed.

4. Clock Signals

After applying a reset, only release the reset line after the operating clock signal has become stable. When switching the clock signal during program execution, wait until the target clock signal has stabilized.

- When the clock signal is generated with an external resonator (or from an external oscillator) during a reset, ensure that the reset line is only released after full stabilization of the clock signal. Moreover, when switching to a clock signal produced with an external resonator (or by an external oscillator) while program execution is in progress, wait until the target clock signal is stable.

5. Differences between Products

Before changing from one product to another, i.e. to a product with a different part number, confirm that the change will not lead to problems.

- The characteristics of an MPU or MCU in the same group but having a different part number may differ in terms of the internal memory capacity, layout pattern, and other factors, which can affect the ranges of electrical characteristics, such as characteristic values, operating margins, immunity to noise, and amount of radiated noise. When changing to a product with a different part number, implement a system-evaluation test for the given product.

Notice

1. Descriptions of circuits, software and other related information in this document are provided only to illustrate the operation of semiconductor products and application examples. You are fully responsible for the incorporation of these circuits, software, and information in the design of your equipment. Renesas Electronics assumes no responsibility for any losses incurred by you or third parties arising from the use of these circuits, software, or information.
2. Renesas Electronics has used reasonable care in preparing the information included in this document, but Renesas Electronics does not warrant that such information is error free. Renesas Electronics assumes no liability whatsoever for any damages incurred by you resulting from errors in or omissions from the information included herein.
3. Renesas Electronics does not assume any liability for infringement of patents, copyrights, or other intellectual property rights of third parties by or arising from the use of Renesas Electronics products or technical information described in this document. No license, express, implied or otherwise, is granted hereby under any patents, copyrights or other intellectual property rights of Renesas Electronics or others.
4. You should not alter, modify, copy, or otherwise misappropriate any Renesas Electronics product, whether in whole or in part. Renesas Electronics assumes no responsibility for any losses incurred by you or third parties arising from such alteration, modification, copy or otherwise misappropriation of Renesas Electronics product.
5. Renesas Electronics products are classified according to the following two quality grades: "Standard" and "High Quality". The recommended applications for each Renesas Electronics product depends on the product's quality grade, as indicated below.
"Standard": Computers; office equipment; communications equipment; test and measurement equipment; audio and visual equipment; home electronic appliances; machine tools; personal electronic equipment; and industrial robots etc.
"High Quality": Transportation equipment (automobiles, trains, ships, etc.); traffic control systems; anti-disaster systems; anti-crime systems; and safety equipment etc.
Renesas Electronics products are neither intended nor authorized for use in products or systems that may pose a direct threat to human life or bodily injury (artificial life support devices or systems, surgical implantations etc.), or may cause serious property damages (nuclear reactor control systems, military equipment etc.). You must check the quality grade of each Renesas Electronics product before using it in a particular application. You may not use any Renesas Electronics product for any application for which it is not intended. Renesas Electronics shall not be in any way liable for any damages or losses incurred by you or third parties arising from the use of any Renesas Electronics product for which the product is not intended by Renesas Electronics.
6. You should use the Renesas Electronics products described in this document within the range specified by Renesas Electronics, especially with respect to the maximum rating, operating supply voltage range, movement power voltage range, heat radiation characteristics, installation and other product characteristics. Renesas Electronics shall have no liability for malfunctions or damages arising out of the use of Renesas Electronics products beyond such specified ranges.
7. Although Renesas Electronics endeavors to improve the quality and reliability of its products, semiconductor products have specific characteristics such as the occurrence of failure at a certain rate and malfunctions under certain use conditions. Further, Renesas Electronics products are not subject to radiation resistance design. Please be sure to implement safety measures to guard them against the possibility of physical injury, and injury or damage caused by fire in the event of the failure of a Renesas Electronics product, such as safety design for hardware and software including but not limited to redundancy, fire control and malfunction prevention, appropriate treatment for aging degradation or any other appropriate measures. Because the evaluation of microcomputer software alone is very difficult, please evaluate the safety of the final products or systems manufactured by you.
8. Please contact a Renesas Electronics sales office for details as to environmental matters such as the environmental compatibility of each Renesas Electronics product. Please use Renesas Electronics products in compliance with all applicable laws and regulations that regulate the inclusion or use of controlled substances, including without limitation, the EU RoHS Directive. Renesas Electronics assumes no liability for damages or losses occurring as a result of your noncompliance with applicable laws and regulations.
9. Renesas Electronics products and technology may not be used for or incorporated into any products or systems whose manufacture, use, or sale is prohibited under any applicable domestic or foreign laws or regulations. You should not use Renesas Electronics products or technology described in this document for any purpose relating to military applications or use by the military, including but not limited to the development of weapons of mass destruction. When exporting the Renesas Electronics products or technology described in this document, you should comply with the applicable export control laws and regulations and follow the procedures required by such laws and regulations.
10. It is the responsibility of the buyer or distributor of Renesas Electronics products, who distributes, disposes of, or otherwise places the product with a third party, to notify such third party in advance of the contents and conditions set forth in this document, Renesas Electronics assumes no responsibility for any losses incurred by you or third parties as a result of unauthorized use of Renesas Electronics products.
11. This document may not be reproduced or duplicated in any form, in whole or in part, without prior written consent of Renesas Electronics.
12. Please contact a Renesas Electronics sales office if you have any questions regarding the information contained in this document or Renesas Electronics products, or if you have any other inquiries.
(Note 1) "Renesas Electronics" as used in this document means Renesas Electronics Corporation and also includes its majority-owned subsidiaries.
(Note 2) "Renesas Electronics product(s)" means any product developed or manufactured by or for Renesas Electronics.



SALES OFFICES

Renesas Electronics Corporation

<http://www.renesas.com>

Refer to "<http://www.renesas.com/>" for the latest and detailed information.

Renesas Electronics America Inc.
2801 Scott Boulevard Santa Clara, CA 95050-2549, U.S.A.
Tel: +1-408-586-6000, Fax: +1-408-588-6130

Renesas Electronics Canada Limited
1101 Nicholson Road, Newmarket, Ontario L3Y 9C3, Canada
Tel: +1-905-898-5441, Fax: +1-905-898-3220

Renesas Electronics Europe Limited
Dukes Meadow, Millboard Road, Bourne End, Buckinghamshire, SL8 5FH, U.K.
Tel: +44-1628-585-100, Fax: +44-1628-585-900

Renesas Electronics Europe GmbH
Arcadiastrasse 10, 40472 Düsseldorf, Germany
Tel: +49-211-6503-0, Fax: +49-211-6503-1327

Renesas Electronics (China) Co., Ltd.
Room 1709, Quantum Plaza, No.27 ZhiChunLu Haidian District, Beijing 100191, P.R.China
Tel: +86-10-8235-1155, Fax: +86-10-8235-7679

Renesas Electronics (Shanghai) Co., Ltd.
Unit 301, Tower A, Central Towers, 555 Langao Road, Putuo District, Shanghai, P. R. China 200333
Tel: +86-21-2226-0888, Fax: +86-21-2226-0999

Renesas Electronics Hong Kong Limited
Unit 1601-1613, 16/F., Tower 2, Grand Century Place, 193 Prince Edward Road West, Mongkok, Kowloon, Hong Kong
Tel: +852-2265-6688, Fax: +852 2886-9022/9044

Renesas Electronics Taiwan Co., Ltd.
13F, No. 363, Fu Shing North Road, Taipei 10543, Taiwan
Tel: +886-2-8175-9600, Fax: +886 2-8175-9670

Renesas Electronics Singapore Pte. Ltd.
80 Bendemeer Road, Unit #06-02 Hyflux Innovation Centre, Singapore 339949
Tel: +65-6213-0200, Fax: +65-6213-0300

Renesas Electronics Malaysia Sdn.Bhd.
Unit 906, Block B, Menara Amcorp, Amcorp Trade Centre, No. 18, Jln Persiaran Barat, 46050 Petaling Jaya, Selangor Darul Ehsan, Malaysia
Tel: +60-3-7955-9390, Fax: +60-3-7955-9510

Renesas Electronics Korea Co., Ltd.
12F., 234 Teheran-ro, Gangnam-Ku, Seoul, 135-920, Korea
Tel: +82-2-558-3737, Fax: +82-2-558-5141

Mouser Electronics

Authorized Distributor

Click to View Pricing, Inventory, Delivery & Lifecycle Information:

[Renesas Electronics:](#)

[R5F6411EDFN#UA](#) [R5F64110DFB#U0](#) [R5F64114DFB#UA](#) [R5F64115DFB#U0](#) [R5F6411FNLG#U0](#)
[R5F64112DFB#U0](#) [R5F64111DFB#U0](#) [R5F64111NLG#U0](#) [R5F64116DFB#U0](#) [R5F64114DFB#U0](#)
[R5F64112NLG#U0](#) [R5F6411FDFN#UA](#) [R5F6416MADFE#UA](#) [R5F64188DFD#U0](#) [R5F64175DFB#U0](#)
[R5F64165DFD#UB](#) [R5F64177DFD#UB](#) [R5F64185DFD#UB](#) [R5F64168DFD#U0](#) [R5F64189DFB#U0](#)
[R5F64177DFB#UB](#) [R5F6416MADFD#UA](#) [R5F64179DFD#UB](#) [R5F64189DFD#UB](#) [R5F64179DFB#U0](#)
[R5F64176DFB#U0](#) [R5F64169DFD#UB](#) [R5F64189DFD#U0](#) [R5F64177PFD#UB](#) [R5F64186DFB#U0](#)
[R5F64176DFB#UB](#) [R5F64169DFB#U0](#) [R5F64175DFB#UB](#) [R5F64169DFB#UB](#) [R5F64189HDFD#UA](#)
[R5F64178DFD#UB](#) [R5F64168DFB#U0](#) [R5F64185DFB#U0](#) [R5F64177PFB#UB](#) [R5F64169DFD#U0](#)
[R5F64187DFB#U0](#) [R5F64189DFB#UB](#) [R5F64167DFB#U0](#) [R5F64175DFD#UB](#) [R5F64175DFD#U0](#)
[R5F64189PFB#UB](#) [R5F64178DFB#UB](#) [R5F64185DFD#U0](#) [R5F64179DFB#UB](#) [R5F64189PFD#UB](#)

Компания «Океан Электроники» предлагает заключение долгосрочных отношений при поставках импортных электронных компонентов на взаимовыгодных условиях!

Наши преимущества:

- Поставка оригинальных импортных электронных компонентов напрямую с производств Америки, Европы и Азии, а так же с крупнейших складов мира;
- Широкая линейка поставок активных и пассивных импортных электронных компонентов (более 30 млн. наименований);
- Поставка сложных, дефицитных, либо снятых с производства позиций;
- Оперативные сроки поставки под заказ (от 5 рабочих дней);
- Экспресс доставка в любую точку России;
- Помощь Конструкторского Отдела и консультации квалифицированных инженеров;
- Техническая поддержка проекта, помощь в подборе аналогов, поставка прототипов;
- Поставка электронных компонентов под контролем ВП;
- Система менеджмента качества сертифицирована по Международному стандарту ISO 9001;
- При необходимости вся продукция военного и аэрокосмического назначения проходит испытания и сертификацию в лаборатории (по согласованию с заказчиком);
- Поставка специализированных компонентов военного и аэрокосмического уровня качества (Xilinx, Altera, Analog Devices, Intersil, Interpoint, Microsemi, Actel, Aeroflex, Peregrine, VPT, Syfer, Eurofarad, Texas Instruments, MS Kennedy, Miteq, Cobham, E2V, MA-COM, Hittite, Mini-Circuits, General Dynamics и др.);

Компания «Океан Электроники» является официальным дистрибьютором и эксклюзивным представителем в России одного из крупнейших производителей разъемов военного и аэрокосмического назначения «**JONHON**», а так же официальным дистрибьютором и эксклюзивным представителем в России производителя высокотехнологичных и надежных решений для передачи СВЧ сигналов «**FORSTAR**».



JONHON

«**JONHON**» (основан в 1970 г.)

Разъемы специального, военного и аэрокосмического назначения:

(Применяются в военной, авиационной, аэрокосмической, морской, железнодорожной, горно- и нефтедобывающей отраслях промышленности)

«**FORSTAR**» (основан в 1998 г.)

ВЧ соединители, коаксиальные кабели,
кабельные сборки и микроволновые компоненты:

(Применяются в телекоммуникациях гражданского и специального назначения, в средствах связи, РЛС, а так же военной, авиационной и аэрокосмической отраслях промышленности).



Телефон: 8 (812) 309-75-97 (многоканальный)

Факс: 8 (812) 320-03-32

Электронная почта: ocean@oceanchips.ru

Web: <http://oceanchips.ru/>

Адрес: 198099, г. Санкт-Петербург, ул. Калинина, д. 2, корп. 4, лит. А