

TOSHIBA Bi-CMOS Integrated Circuit Silicon Monolithic

TB6562ANG/AFG

Dual Full-Bridge Driver IC for Stepping Motors

The TB6562ANG/AFG is a 2-phase bipolar stepping motor driver that contains DMOS transistors in the output stage. The driver achieves high efficiency through the use of low ON-resistance DMOS transistors and PWM current control circuitry.

Features

2-phase/1-2-phase/W 1-2-phase excitation

PWM current control

Power supply voltage: 40 V (max)

Output current: 1.5 A (max)

Low ON-resistance: 1.5 Ω (upper and lower transistors/typ.)

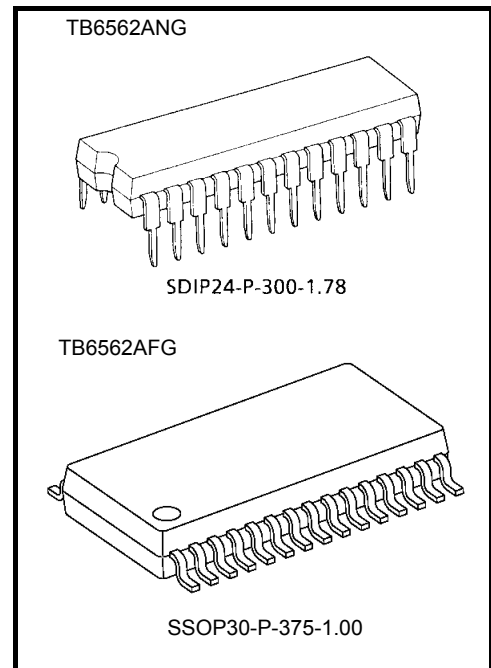
Power-saving function

Overcurrent protection: $I_{LIM} = 2.5$ A (typ.)

Thermal shutdown

Package: TB6562ANG; SDIP24-P-300-1.78

TB6562AFG; SSOP30-P-375-1.00



Weight:

SDIP24-P-300-1.78: 1.62 g (typ.)

SSOP30-P-375-1.00: 0.63 g (typ.)

This product has a MOS structure and is sensitive to electrostatic discharge. When handling the product, ensure that the environment is protected against electrostatic discharge by using an earth strap, a conductive mat and an ionizer. Ensure also that the ambient temperature and relative humidity are maintained at reasonable levels.

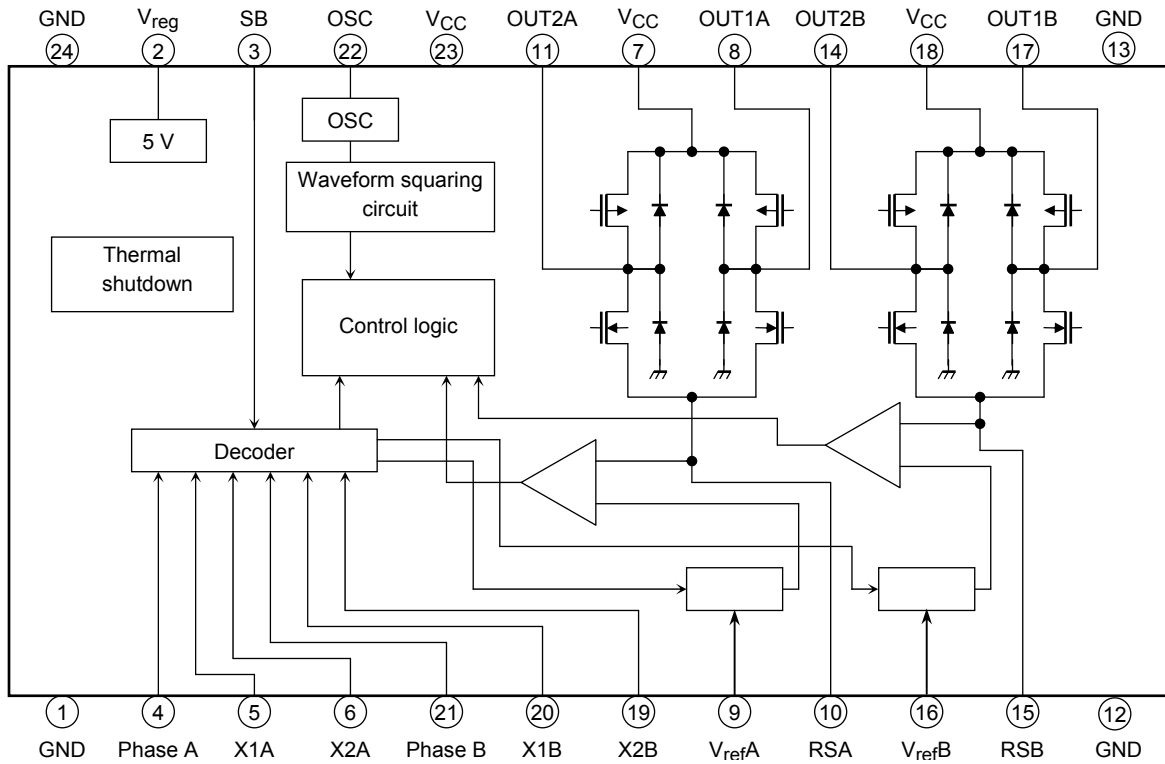
Special care should be taken with the following pins, which are vulnerable to surge current.

Pins with low surge withstand capability:

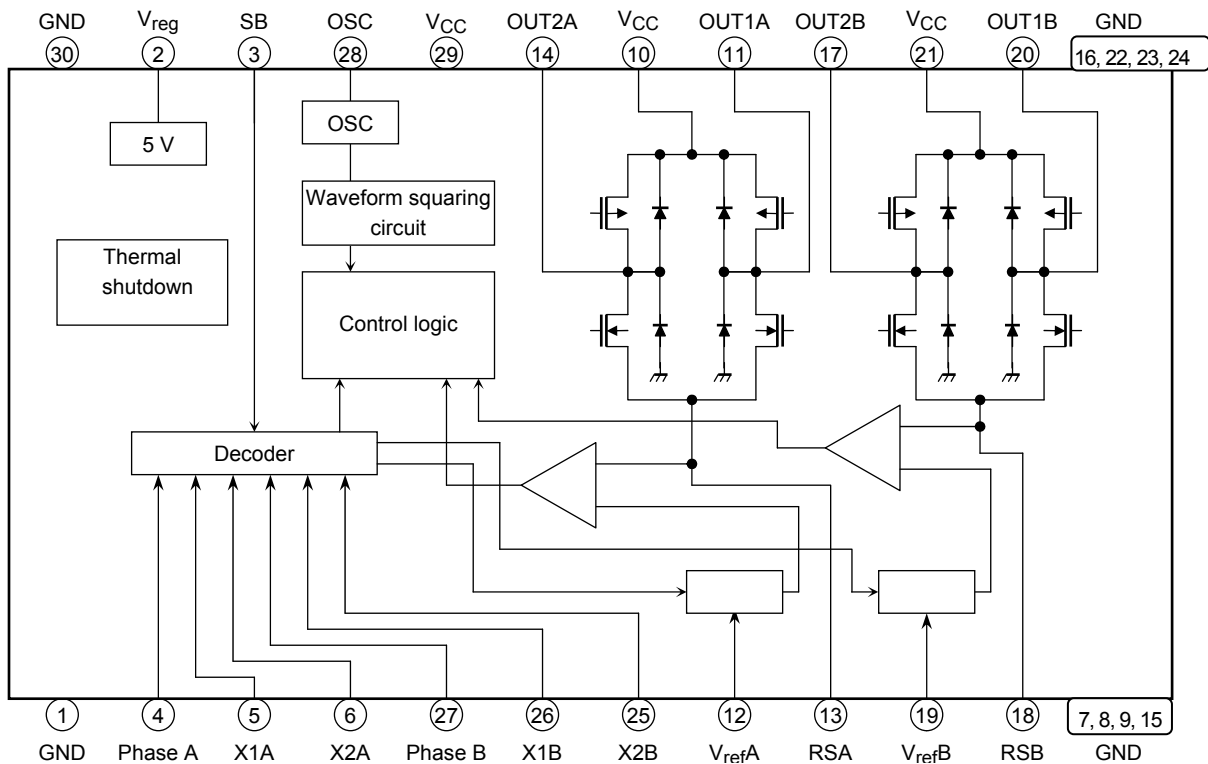
TB6562ANG: pins 10, 15 TB6562AFG: pins 13, 18

Block Diagram

Some functional blocks, circuits, or constants may be omitted or simplified in the block diagram for explanatory purposes.
 < TB6562ANG >



< TB6562AFG >

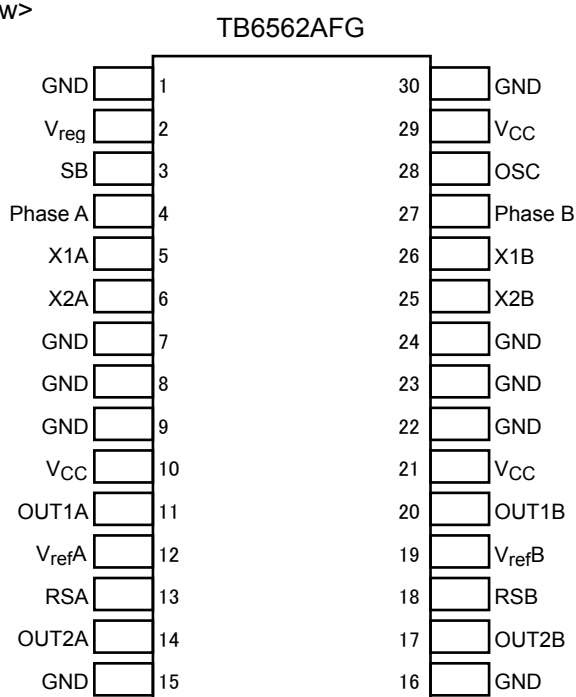
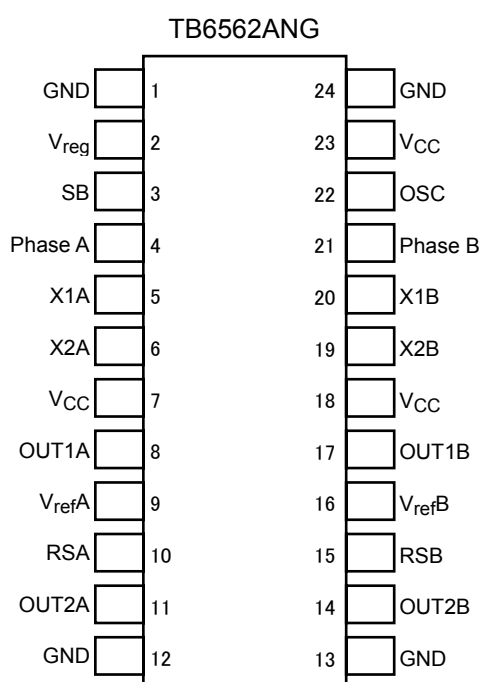


Pin Description

< TB6562ANG >

| Pin No. | Symbol | Function Description | Remarks |
|---------|-------------------|---|--|
| 1 | GND | Ground pin | |
| 2 | V _{reg} | 5 V output pin | Connect a capacitor between this pin and the GND pin. |
| 3 | SB | Standby pin | H: start, L: Standby, Built-in pull down resistance of 100 kΩ (typ.) |
| 4 | Phase A | Rotation direction control pin (Ch. A) | Apply a 0 V/5 V signal, Built-in pull down resistance of 100 kΩ (typ.) |
| 5 | X1A | Input pin used to set output current level (Ch. A) | Apply a 0 V/5 V signal, Built-in pull down resistance of 100 kΩ (typ.) |
| 6 | X2A | Input pin used to set output current level (Ch. A) | Apply a 0 V/5 V signal, Built-in pull down resistance of 100 kΩ (typ.) |
| 7 | V _{CC} | Power supply voltage input pin | V _{CC (opr)} = 10 V to 34 V |
| 8 | OUT1A | Output pin 1 (Ch. A) | Connect to a motor coil pin. |
| 9 | V _{refA} | Input pin for external reference voltage (Ch. A) | |
| 10 | RSA | Output current detection resistor connection pin (Ch. A). | |
| 11 | OUT2A | Output pin 2 (Ch. A) | Connect to a motor coil pin. |
| 12 | GND | Ground pin | |
| 13 | GND | Ground pin | |
| 14 | OUT2B | Output pin 2 (Ch. B) | Connect to a motor coil pin. |
| 15 | RSB | Output current detection resistor connection pin (Ch. B) | |
| 16 | V _{refB} | Input pin for external reference voltage (Ch. B) | |
| 17 | OUT1B | Output pin 1 (Ch. B) | Connect to a motor coil pin. |
| 18 | V _{CC} | Power supply voltage input pin | V _{CC (opr)} = 10 V to 34 V |
| 19 | X2B | Input pin used to set output current level (Ch. B) | Apply a 0 V/5 V signal, Built-in pull down resistance of 100 kΩ (typ.) |
| 20 | X1B | Input pin used to set output current level (Ch. B) | Apply a 0 V/5 V signal, Built-in pull down resistance of 100 kΩ (typ.) |
| 21 | Phase B | Rotation direction control pin (Ch. B) | Apply a 0 V/5 V signal, Built-in pull down resistance of 100 kΩ (typ.) |
| 22 | OSC | External capacitor pin for triangular-wave oscillation | |
| 23 | V _{CC} | Power supply voltage input pin | V _{CC (opr)} = 10 V to 34 V |
| 24 | GND | Ground pin | |

<Top View>



< TB6562AFG >

| Pin No. | Symbol | Function Description | Remarks |
|---------|-------------------|---|--|
| 1 | GND | Ground pin | |
| 2 | V _{reg} | 5 V output pin | Connect a capacitor between this pin and the GND pin. |
| 3 | SB | Standby pin | H: start, L: Standby, Built-in pull down resistance of 100 kΩ (typ.) |
| 4 | Phase A | Rotation direction control pin (Ch. A) | Apply a 0 V/5 V signal, Built-in pull down resistance of 100 kΩ (typ.) |
| 5 | X1A | Input pin used to set output current level (Ch. A) | Apply a 0 V/5 V signal, Built-in pull down resistance of 100 kΩ (typ.) |
| 6 | X2A | Input pin used to set output current level (Ch. A) | Apply a 0 V/5 V signal, Built-in pull down resistance of 100 kΩ (typ.) |
| 7 | GND | Ground pin | |
| 8 | GND | Ground pin | |
| 9 | GND | Ground pin | |
| 10 | V _{CC} | Power supply voltage input pin | V _{CC (opr)} = 10 V to 34 V |
| 11 | OUT1A | Output pin 1 (Ch. A) | Connect to a motor coil pin. |
| 12 | V _{refA} | Reference voltage external set pin (Ch. A) | |
| 13 | RSA | Resistance connect pin for detecting output current (Ch. A) | |
| 14 | OUT2A | Output pin 2 (Ch. A) | Connect to a motor coil pin. |
| 15 | GND | Ground pin | |
| 16 | GND | Ground pin | |
| 17 | OUT2B | Output pin 2 (Ch. B) | Connect to a motor coil pin. |
| 18 | RSB | Output current detection resistor connection pin (Ch. B) | |
| 19 | V _{refB} | Input pin for external reference voltage (Ch. B) | |
| 20 | OUT1B | Output pin 1 (Ch. B) | Connect to a motor coil pin. |
| 21 | V _{CC} | Power supply voltage input pin | V _{CC (opr)} = 10 V to 34 V |
| 22 | GND | Ground pin | |
| 23 | GND | Ground pin | |
| 24 | GND | Ground pin | |
| 25 | X2B | Input pin used to set output current level (Ch. B) | Apply a 0 V/5 V signal, Built-in pull down resistance of 100 kΩ (typ.) |
| 26 | X1B | Input pin used to set output current level (Ch. B) | Apply a 0 V/5 V signal, Built-in pull down resistance of 100 kΩ (typ.) |
| 27 | Phase B | Rotation direction control pin (Ch. B) | Apply a 0 V/5 V signal, Built-in pull down resistance of 100 kΩ (typ.) |
| 28 | OSC | External capacitor pin for triangular-wave oscillation | |
| 29 | V _{CC} | Power supply voltage input pin | V _{CC (opr)} = 10 V to 34 V |
| 30 | GND | Ground pin | |

Absolute Maximum Ratings ($T_a = 25^\circ\text{C}$)

| Characteristic | Symbol | Rating | Unit |
|-----------------------|--------------|--------------|------------------|
| Power supply voltage | V_{CC} | 40 | V |
| Output voltage | V_O | 40 | V |
| Output current | I_O (Peak) | 1.5 (Note 1) | A |
| Input voltage | V_{IN} | -0.2 to 5.5 | V |
| Power dissipation | P_D | 2.5 (Note 2) | W |
| Operating temperature | T_{opr} | -20 to 85 | $^\circ\text{C}$ |
| Storage temperature | T_{stg} | -55 to 150 | $^\circ\text{C}$ |
| Junction temperature | T_{jmax} | 150 | $^\circ\text{C}$ |

Note 1: Output current may be controlled by excitation mode, ambient temperature, or heatsink.

When designing a circuit, ensure that the maximum junction temperature, $T_{jmax} = 150^\circ\text{C}$, is not exceeded when the IC is used.

Avoid using the IC in abnormal conditions that would cause the T_j to exceed 150°C , even though the heat protection circuit of the IC will continue to operate in such conditions.

Note 2: When mounted on a board (50 mm × 50 mm × 1.6 mm, Cu area: 50%)

The absolute maximum ratings of a semiconductor device are a set of ratings that must not be exceeded, even for a moment. Do not exceed any of these ratings.

Exceeding the rating (s) may cause the device breakdown, damage or deterioration, and may result injury by explosion or combustion.

Please use the IC within the specified operating ranges.

Operating Range ($T_a = -20$ to 85°C)

| Characteristic | Symbol | Rating | Unit |
|---------------------------------------|-----------|------------|------|
| Power supply voltage | V_{CC} | 10 to 34 | V |
| Input voltage | V_{IN} | 0 to 5 | V |
| Vref voltage | V_{ref} | 0.5 to 7.0 | V |
| PWM frequency | f_{pwm} | 15 to 80 | kHz |
| Triangular-wave oscillation frequency | f_{osc} | 45 to 400 | kHz |

Electrical Characteristics (V_{CC} = 24 V, T_a = 25°C)

| Characteristic | | Symbol | Test Circuit | Test Condition | Min | Typ. | Max | Unit |
|--|--------------------------|-------------------------|--------------|---|------|------|------|------|
| Supply current | | I _{CC1} | — | XT1A = XT2A = H, XT1B = XT2B = H Output = Open | — | 6.5 | 10 | mA |
| | | I _{CC2} | | XT1A = XT2A = L, XT1B = XT2B = L Output = Open | — | 7.0 | 12 | |
| | | I _{CC3} | | Standby mode | — | 2.0 | 4.0 | |
| Control circuit (Note 1) | Input voltage | V _{INH} | — | — | 2.3 | — | 5.5 | V |
| | | V _{INL} | | — | -0.2 | — | 0.8 | |
| | Input hysteresis voltage | V _{IN (HYS)} | — | (Target spec.) | — | 0.4 | — | |
| | Input current | I _{INH} | — | V _{IN} = 5 V | 30 | 50 | 75 | μA |
| I _{INL} | | V _{IN} = 0 V | | — | — | 5 | | |
| Standby circuit | Input voltage | V _{INSH} | — | — | 2.3 | — | 5.5 | V |
| | | V _{INSL} | | — | -0.2 | — | 0.8 | |
| | Input hysteresis voltage | V _{IN (HYS)} | — | (Target spec.) | — | 0.4 | — | |
| | Input current | I _{INSH} | — | V _{IN} = 5 V | 30 | 50 | 75 | μA |
| I _{INSL} | | V _{IN} = 0 V | | — | — | 5 | | |
| Output ON-resistance | | R _{on (U+L)} | — | I _O = 0.2 A | — | 1.5 | 2.0 | Ω |
| | | | | I _O = 1.5 A | — | 1.5 | 2.0 | |
| Output leakage current | | I _{L (U)} | — | V _{CC} = 40 V | — | — | 10 | μA |
| | | I _{L (L)} | | V _{CC} = 40 V | — | — | 10 | |
| Diode forward voltage | | V _{F (U)} | — | I _O = 1.5 A | — | 1.3 | 2.0 | V |
| | | V _{F (L)} | | I _O = 1.5 A | — | 1.3 | 2.0 | |
| Internal reference voltage | | V _{reg} | — | When current of 1 mA is loaded. | 4.75 | 5 | 5.25 | V |
| V _{ref} circuit | Input current | I _{ref} | — | V _{ref} = 0.5 V | — | 5 | 10 | μA |
| | Current limit voltage | V _{ref (1/10)} | — | X1 = X2 = L V _{ref} = 5 V | 0.45 | 0.5 | 0.55 | V |
| | | V _{ref (1/15)} | — | X1 = L, X2 = H V _{ref} = 5 V | 0.28 | 0.33 | 0.38 | |
| | | V _{ref (1/30)} | — | X1 = H, X2 = L V _{ref} = 5 V | 0.12 | 0.17 | 0.22 | |
| Triangular-wave oscillation frequency | | f _{OSC} | — | C = 4700 pF | 88 | 110 | 132 | kHz |
| Thermal shutdown circuit operating temperature | | T _{SD} | — | (Target spec.) | — | 160 | — | °C |

Note 1: Phase, X1 and X2 pins

Truth Tables

< 2-phase excitation > (*) I_O : OUT1 → OUT2; + current OUT2 → OUT1; - current

| Phase A | | | Phase B | | | | |
|---------|-----|--------|-----------|---------|-----|--------|-----------|
| Input | | Output | Input | | | Output | |
| Phase A | X1A | X2A | I_O (A) | Phase B | X1B | X2B | I_O (B) |
| H | L | L | 100% | H | L | L | 100% |
| L | L | L | -100% | H | L | L | 100% |
| L | L | L | -100% | L | L | L | -100% |
| H | L | L | 100% | L | L | L | -100% |

< 1-2-phase excitation >

| Phase A | | | Phase B | | | | |
|---------|-----|--------|-----------|---------|-----|--------|-----------|
| Input | | Output | Input | | | Output | |
| Phase A | X1A | X2A | I_O (A) | Phase B | X1B | X2B | I_O (B) |
| H | L | L | 100% | H | L | L | 100% |
| X | H | H | 0% | H | L | L | 100% |
| L | L | L | -100% | H | L | L | 100% |
| L | L | L | -100% | X | H | H | 0% |
| L | L | L | -100% | L | L | L | -100% |
| X | H | H | 0% | L | L | L | -100% |
| H | L | L | 100% | L | L | L | -100% |
| H | L | L | 100% | X | H | H | 0% |

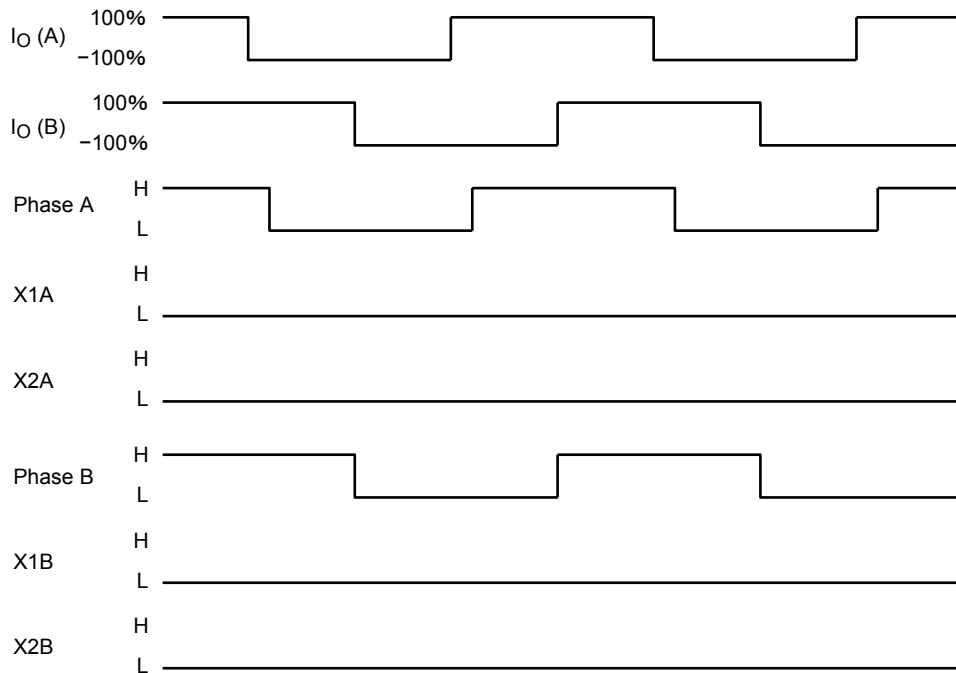
< W 1-2-phase excitation >

| Phase A | | | Phase B | | | | |
|---------|-----|--------|-----------|---------|-----|--------|-----------|
| Input | | Output | Input | | | Output | |
| Phase A | X1A | X2A | I_O (A) | Phase B | X1B | X2B | I_O (B) |
| X | H | H | 0% | L | L | L | -100% |
| H | H | L | 33.3% | L | L | L | -100% |
| H | L | H | 66.7% | L | L | H | -66.7% |
| H | L | L | 100% | L | H | L | -33.3% |
| H | L | L | 100% | X | H | H | 0% |
| H | L | L | 100% | H | H | L | 33.3% |
| H | L | H | 66.7% | H | L | H | 66.7% |
| H | H | L | 33.3% | H | L | L | 100% |
| X | H | H | 0% | H | L | L | 100% |
| L | H | L | -33.3% | H | L | L | 100% |
| L | L | H | -66.7% | H | L | H | 66.7% |
| L | L | L | -100% | H | H | L | 33.3% |
| L | L | L | -100% | X | H | H | 0% |
| L | L | L | -100% | L | H | L | -33.3% |
| L | L | H | -66.7% | L | L | H | -66.7% |
| L | H | L | -33.3% | L | L | L | -100% |

Timing Charts

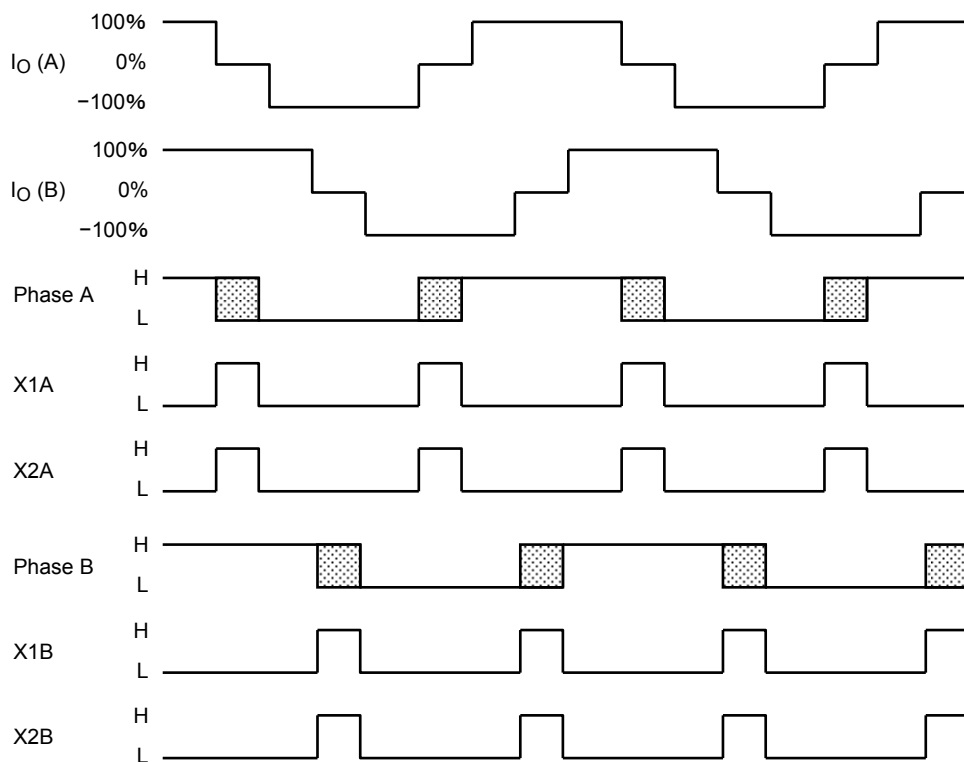
Timing charts may be simplified for explanatory purposes.

< 2-phase excitation >



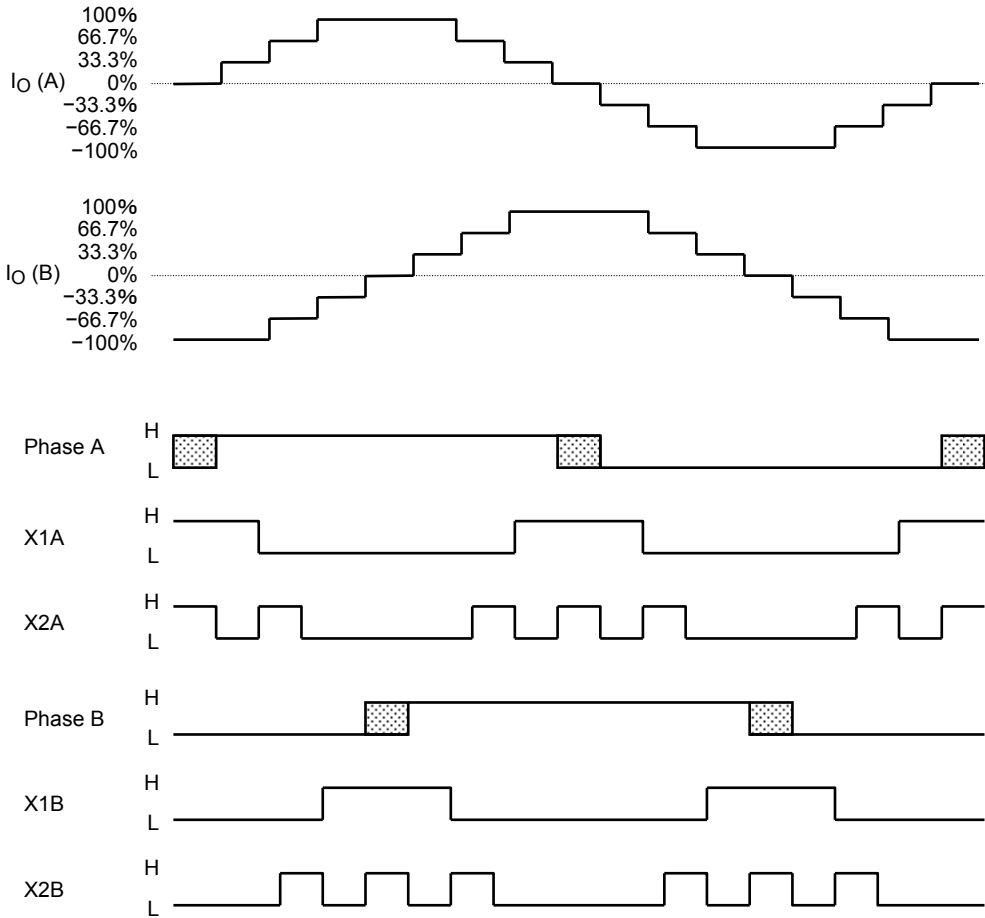
(*) I_O : OUT1→OUT2; + current OUT2→OUT1; - current

< 1-2-phase excitation >



(*) I_O : OUT1→OUT2; + current OUT2→OUT1; - current

< W 1-2-phase excitation >



(*) I_O : OUT1→OUT2; + current OUT2→OUT1; - current

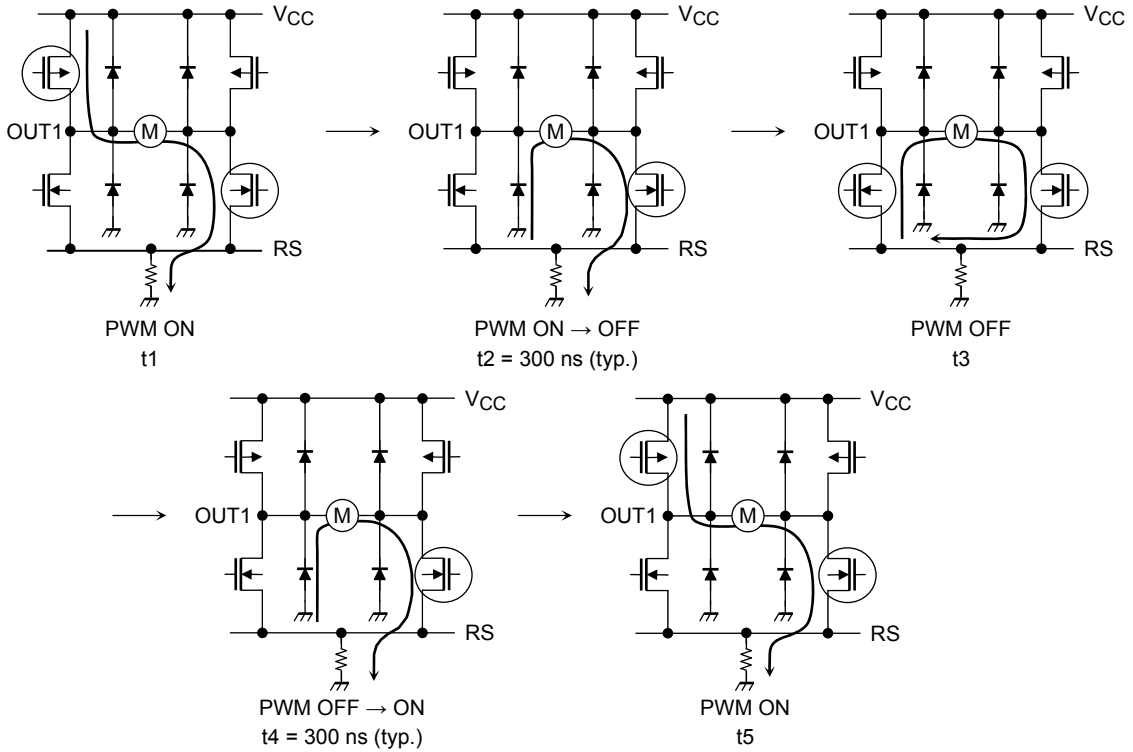
PWM Current Control

The IC enters CW (CCW) mode and short brake mode alternately during PWM current control.

To prevent shoot-through current caused by simultaneous conduction of upper and lower transistors in the output stage, a dead time is internally generated for 300 ns (target spec) when the upper and lower transistors are being switched.

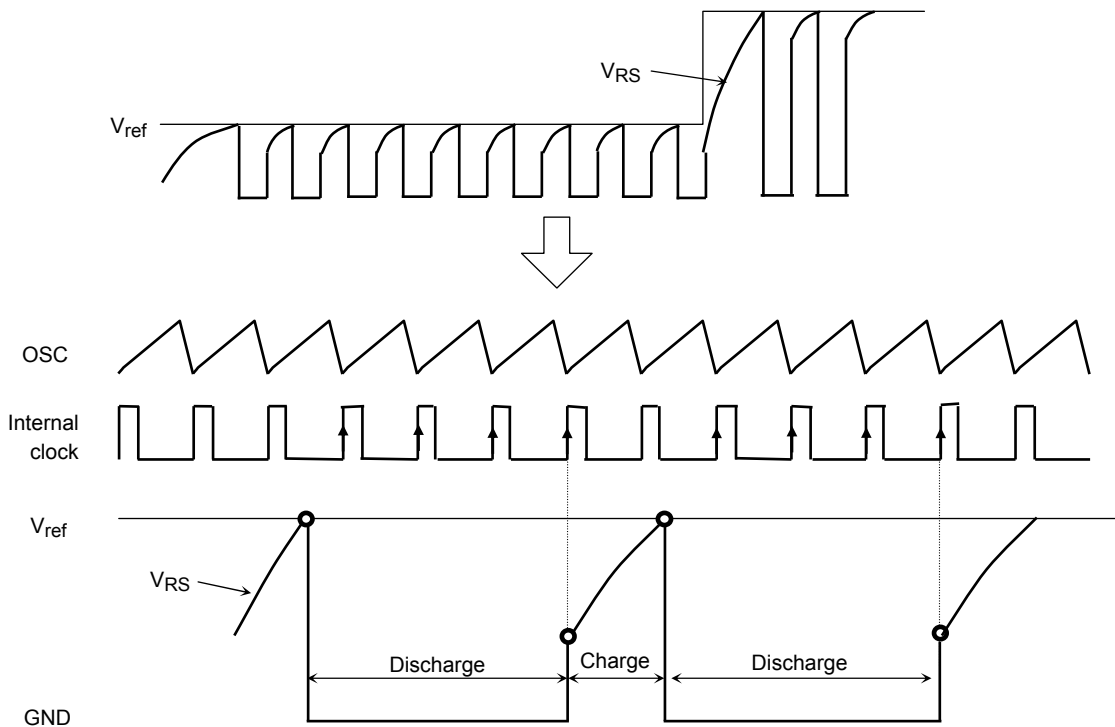
Therefore synchronous rectification for high efficiency in PWM current control can be achieved without an off-time generated via an external input.

Even for toggling between CW and CCW modes, and CW (CCW) and short brake modes, no off-time is required due to the internally generated dead time.



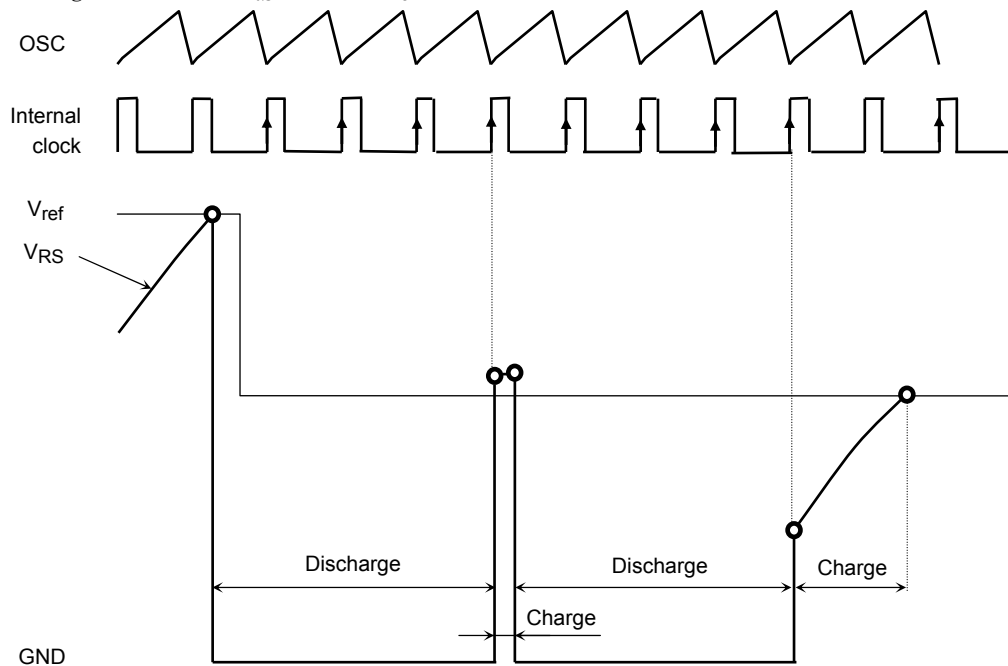
Constant current regulation

When V_{RS} reaches the reference voltage (V_{ref}), the IC enters discharge mode. After four clock signals are generated from the oscillator, the IC moves from discharge mode to charge mode.



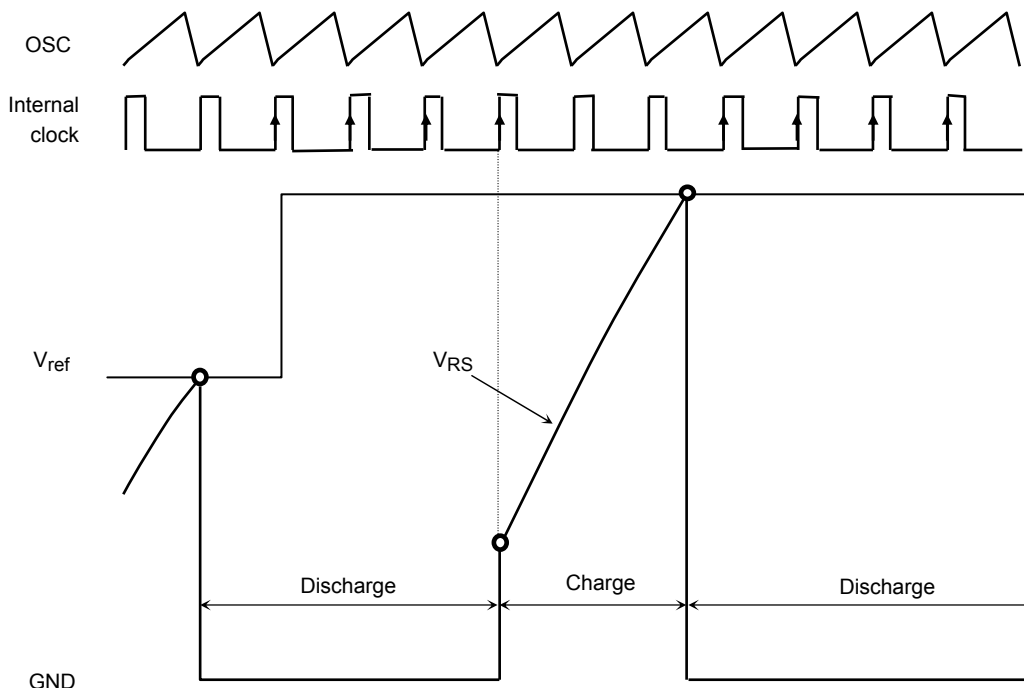
Transition from charge mode to discharge mode

If $V_{RS} > V_{ref}$ after four clock signals in charge mode, the IC again enters discharge mode. After a further four clock signals in discharge mode, V_{RS} is compared with V_{ref} . If $V_{RS} < V_{ref}$, the IC operates in charge mode until V_{RS} reaches V_{ref} .



Transition from discharge mode to charge mode

Even when the reference voltage has risen, discharge mode lasts for four clock signals and is then toggled to charge mode.



Timing charts may be simplified for explanatory purposes.

Internal oscillation frequency (f_{osc})

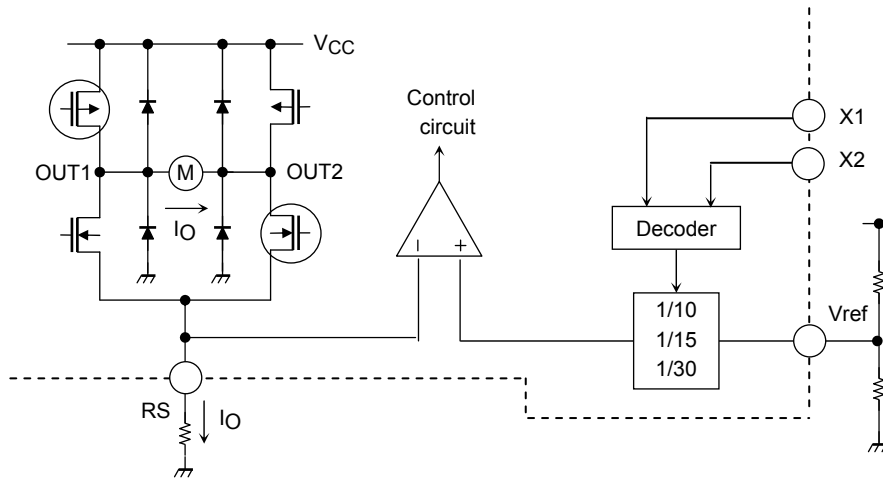
The internal oscillation frequency is approximated by the formula below:

$$f_{osc} = 1/(0.523 \times (C_{OSC} \times 3700 + C_{OSC} \times 600)).$$

Reference Voltage Generator

The current value at 100% is determined by applying voltage at the V_{ref} pin.

The value can be calculated as follows: $I_O (100\%) = V_{ref} \times 1/10 \times 1/RS[A]$ ($X1 = X2 = L$)



Thermal Shutdown Circuit (TSD)

The IC incorporates a thermal shutdown circuit. When the junction temperature (T_j) reaches 160°C (typ.), the output transistors are turned off.

The output transistors are turned on automatically.

The IC has 40°C temperature hysteresis.

TSD = 160°C (target spec)

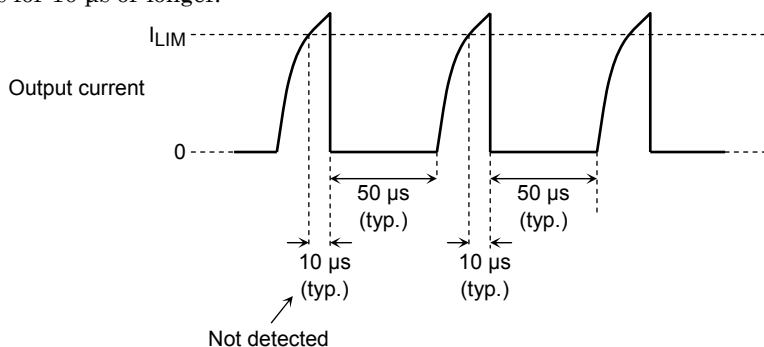
$\Delta TSD = 40^\circ C$ (target spec)

Overcurrent Protection Circuit (ISD)

The IC incorporates an overcurrent protection circuit to detect voltage flowing through the output transistors. The overcurrent threshold is 2.5 A (typ.).

Currents flowing through the eight output transistors are monitored individually. If overcurrent is detected in at least one of the transistors, all transistors are turned off.

The IC incorporates a timer to count the 50 μs (typ.) for which the transistors are off. After the 50 μs , the transistors are turned on automatically. If an overcurrent occurs again, the same operation is repeated. To prevent false detection due to glitches, the circuit turns off the transistors only when current exceeding the overcurrent threshold flows for 10 μs or longer.



The target specification for the overcurrent limiter value (overcurrent threshold) is 2.5 A (typ.), and varies in a range from approximately 1.5 A to 3.5 A.

These protection functions are intended only as a temporary means of preventing output short circuits or other abnormal conditions and are not guaranteed to prevent damage to the IC.

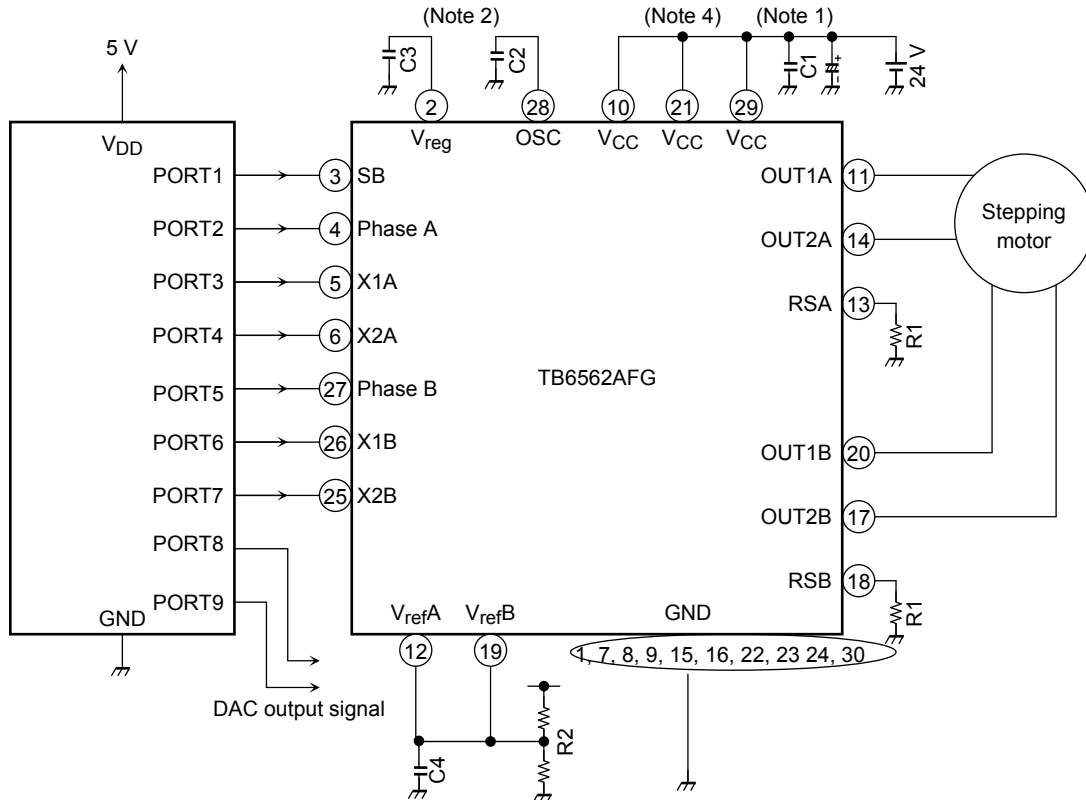
If the guaranteed operating ranges of this product are exceeded, these protection features may not operate and some output short circuits may result in the IC being damaged.

The overcurrent protection feature is intended to protect the IC from temporary short circuits only.

Short circuits persisting over long periods may cause excessive stress and damage the IC. Systems should be configured so that any overcurrent condition will be eliminated as soon as possible.

Application Circuit

The application circuit below is for reference only and requires thorough evaluation at the mass production design stage. In furnishing this example of an application circuit, Toshiba does not grant the use of any industrial property rights.



Note 1: A power supply capacitor should be connected between V_{CC} and RSA (RSB), and as close as possible to the IC.

Note 2: C2 and C3 should be connected as close as possible to S-GND.

Note 3: In powering on, set the IC as follows:
 SB = Low (standby mode)
 or
 XA1 = XA2 = XB1 = XB2 = High (current value = 0%)

Note 4: When the V_{ref} is being changed, a DAC output can be connected directly to the V_{ref} pin.

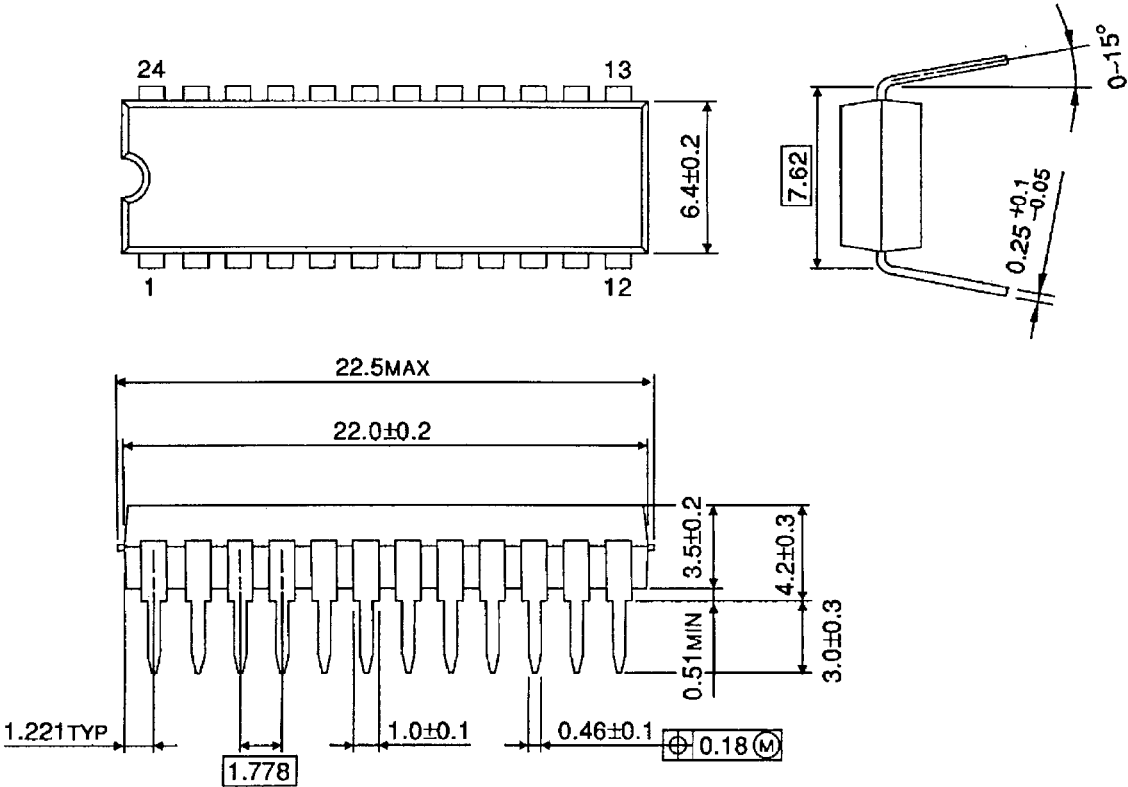
Note 5: The V_{CC} pins (pin 10, pin 21, and pin 29) should be shorted externally.

Note 6: Connect the capacitor C4 to the V_{ref} to reduce the switching noise.

Package Dimensions

SDIP24-P-300-1.78

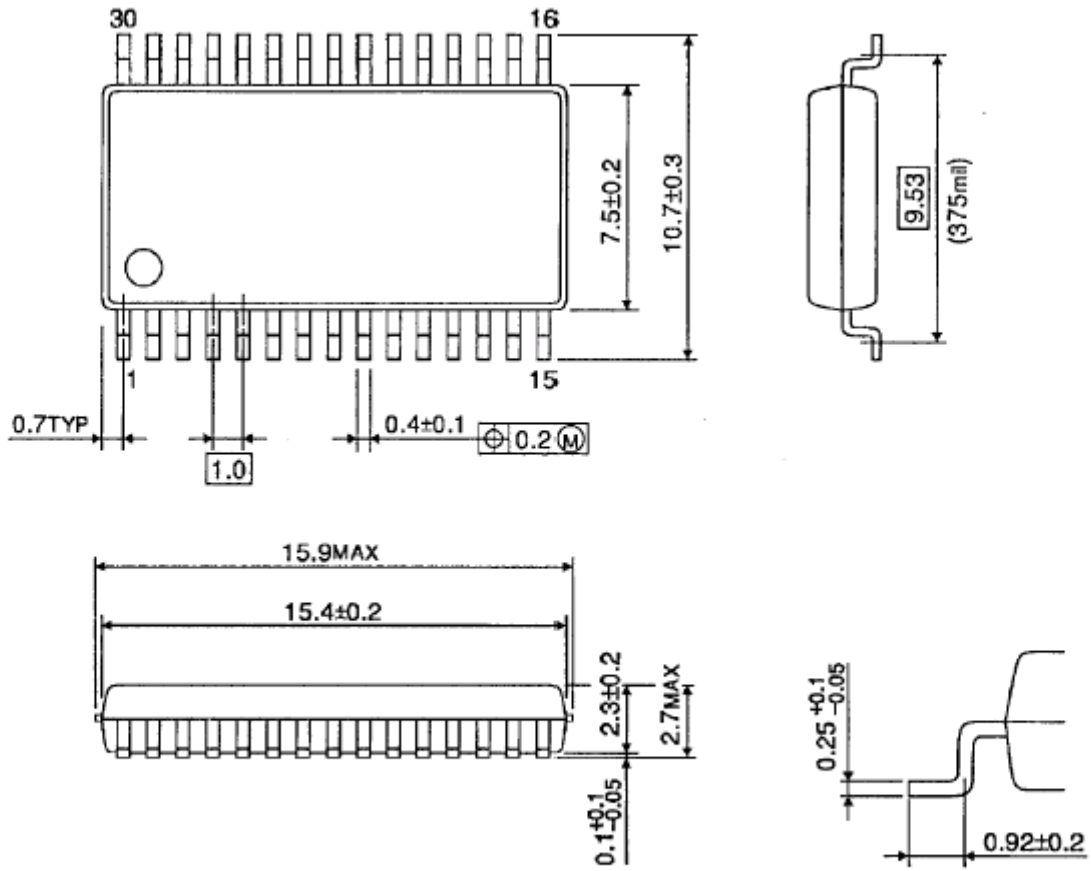
Unit : mm



Weight: 1.62 g (typ.)

SSOP30-P-375-1.00

Unit : mm



Weight: 0.63 g (typ.)

Notes on Contents

1. Block Diagrams

Some of the functional blocks, circuits, or constants in the block diagram may be omitted or simplified for explanatory purposes.

2. Equivalent Circuits

The equivalent circuit diagrams may be simplified or some parts of them may be omitted for explanatory purposes.

3. Timing Charts

Timing charts may be simplified for explanatory purposes.

4. Application Circuits

The application circuits shown in this document are provided for reference purposes only. Thorough evaluation is required, especially at the mass production design stage.

Toshiba does not grant any license to any industrial property rights by providing these examples of application circuits.

5. Test Circuits

Components in the test circuits are used only to obtain and confirm the device characteristics. These components and circuits are not guaranteed to prevent malfunction or failure from occurring in the application equipment.

IC Usage Considerations

Notes on handling of ICs

- [1] The absolute maximum ratings of a semiconductor device are a set of ratings that must not be exceeded, even for a moment. Do not exceed any of these ratings.
Exceeding the rating(s) may cause the device breakdown, damage or deterioration, and may result injury by explosion or combustion.
- [2] Use an appropriate power supply fuse to ensure that a large current does not continuously flow in case of over current and/or IC failure. The IC will fully break down when used under conditions that exceed its absolute maximum ratings, when the wiring is routed improperly or when an abnormal pulse noise occurs from the wiring or load, causing a large current to continuously flow and the breakdown can lead smoke or ignition. To minimize the effects of the flow of a large current in case of breakdown, appropriate settings, such as fuse capacity, fusing time and insertion circuit location, are required.
- [3] If your design includes an inductive load such as a motor coil, incorporate a protection circuit into the design to prevent device malfunction or breakdown caused by the current resulting from the inrush current at power ON or the negative current resulting from the back electromotive force at power OFF. IC breakdown may cause injury, smoke or ignition.
Use a stable power supply with ICs with built-in protection functions. If the power supply is unstable, the protection function may not operate, causing IC breakdown. IC breakdown may cause injury, smoke or ignition.
- [4] Do not insert devices in the wrong orientation or incorrectly.
Make sure that the positive and negative terminals of power supplies are connected properly.
Otherwise, the current or power consumption may exceed the absolute maximum rating, and exceeding the rating(s) may cause the device breakdown, damage or deterioration, and may result injury by explosion or combustion.
In addition, do not use any device that is applied the current with inserting in the wrong orientation or incorrectly even just one time.

Points to remember on handling of ICs**(1) Over current Protection Circuit**

Over current protection circuits (referred to as current limiter circuits) do not necessarily protect ICs under all circumstances. If the Over current protection circuits operate against the over current, clear the over current status immediately.

Depending on the method of use and usage conditions, such as exceeding absolute maximum ratings can cause the over current protection circuit to not operate properly or IC breakdown before operation. In addition, depending on the method of use and usage conditions, if over current continues to flow for a long time after operation, the IC may generate heat resulting in breakdown.

(2) Thermal Shutdown Circuit

Thermal shutdown circuits do not necessarily protect ICs under all circumstances. If the thermal shutdown circuits operate against the over temperature, clear the heat generation status immediately.

Depending on the method of use and usage conditions, such as exceeding absolute maximum ratings can cause the thermal shutdown circuit to not operate properly or IC breakdown before operation.

(3) Heat Radiation Design

In using an IC with large current flow such as power amp, regulator or driver, please design the device so that heat is appropriately radiated, not to exceed the specified junction temperature (T_J) at any time and condition. These ICs generate heat even during normal use. An inadequate IC heat radiation design can lead to decrease in IC life, deterioration of IC characteristics or IC breakdown. In addition, please design the device taking into consideration the effect of IC heat radiation with peripheral components.

(4) Back-EMF

When a motor rotates in the reverse direction, stops or slows down abruptly, a current flow back to the motor's power supply due to the effect of back-EMF. If the current sink capability of the power supply is small, the device's motor power supply and output pins might be exposed to conditions beyond absolute maximum ratings. To avoid this problem, take the effect of back-EMF into consideration in system design.

RESTRICTIONS ON PRODUCT USE

- Toshiba Corporation, and its subsidiaries and affiliates (collectively "TOSHIBA"), reserve the right to make changes to the information in this document, and related hardware, software and systems (collectively "Product") without notice.
- This document and any information herein may not be reproduced without prior written permission from TOSHIBA. Even with TOSHIBA's written permission, reproduction is permissible only if reproduction is without alteration/omission.
- Though TOSHIBA works continually to improve Product's quality and reliability, Product can malfunction or fail. Customers are responsible for complying with safety standards and for providing adequate designs and safeguards for their hardware, software and systems which minimize risk and avoid situations in which a malfunction or failure of Product could cause loss of human life, bodily injury or damage to property, including data loss or corruption. Before customers use the Product, create designs including the Product, or incorporate the Product into their own applications, customers must also refer to and comply with (a) the latest versions of all relevant TOSHIBA information, including without limitation, this document, the specifications, the data sheets and application notes for Product and the precautions and conditions set forth in the "TOSHIBA Semiconductor Reliability Handbook" and (b) the instructions for the application with which the Product will be used with or for. Customers are solely responsible for all aspects of their own product design or applications, including but not limited to (a) determining the appropriateness of the use of this Product in such design or applications; (b) evaluating and determining the applicability of any information contained in this document, or in charts, diagrams, programs, algorithms, sample application circuits, or any other referenced documents; and (c) validating all operating parameters for such designs and applications. **TOSHIBA ASSUMES NO LIABILITY FOR CUSTOMERS' PRODUCT DESIGN OR APPLICATIONS.**
- **PRODUCT IS NEITHER INTENDED NOR WARRANTED FOR USE IN EQUIPMENTS OR SYSTEMS THAT REQUIRE EXTRAORDINARILY HIGH LEVELS OF QUALITY AND/OR RELIABILITY, AND/OR A MALFUNCTION OR FAILURE OF WHICH MAY CAUSE LOSS OF HUMAN LIFE, BODILY INJURY, SERIOUS PROPERTY DAMAGE AND/OR SERIOUS PUBLIC IMPACT ("UNINTENDED USE").** Except for specific applications as expressly stated in this document, Unintended Use includes, without limitation, equipment used in nuclear facilities, equipment used in the aerospace industry, medical equipment, equipment used for automobiles, trains, ships and other transportation, traffic signaling equipment, equipment used to control combustions or explosions, safety devices, elevators and escalators, devices related to electric power, and equipment used in finance-related fields. **IF YOU USE PRODUCT FOR UNINTENDED USE, TOSHIBA ASSUMES NO LIABILITY FOR PRODUCT.** For details, please contact your TOSHIBA sales representative.
- Do not disassemble, analyze, reverse-engineer, alter, modify, translate or copy Product, whether in whole or in part.
- Product shall not be used for or incorporated into any products or systems whose manufacture, use, or sale is prohibited under any applicable laws or regulations.
- The information contained herein is presented only as guidance for Product use. No responsibility is assumed by TOSHIBA for any infringement of patents or any other intellectual property rights of third parties that may result from the use of Product. No license to any intellectual property right is granted by this document, whether express or implied, by estoppel or otherwise.
- **ABSENT A WRITTEN SIGNED AGREEMENT, EXCEPT AS PROVIDED IN THE RELEVANT TERMS AND CONDITIONS OF SALE FOR PRODUCT, AND TO THE MAXIMUM EXTENT ALLOWABLE BY LAW, TOSHIBA (1) ASSUMES NO LIABILITY WHATSOEVER, INCLUDING WITHOUT LIMITATION, INDIRECT, CONSEQUENTIAL, SPECIAL, OR INCIDENTAL DAMAGES OR LOSS, INCLUDING WITHOUT LIMITATION, LOSS OF PROFITS, LOSS OF OPPORTUNITIES, BUSINESS INTERRUPTION AND LOSS OF DATA, AND (2) DISCLAIMS ANY AND ALL EXPRESS OR IMPLIED WARRANTIES AND CONDITIONS RELATED TO SALE, USE OF PRODUCT, OR INFORMATION, INCLUDING WARRANTIES OR CONDITIONS OF MERCHANTABILITY, FITNESS FOR A PARTICULAR PURPOSE, ACCURACY OF INFORMATION, OR NONINFRINGEMENT.**
- Do not use or otherwise make available Product or related software or technology for any military purposes, including without limitation, for the design, development, use, stockpiling or manufacturing of nuclear, chemical, or biological weapons or missile technology products (mass destruction weapons). Product and related software and technology may be controlled under the applicable export laws and regulations including, without limitation, the Japanese Foreign Exchange and Foreign Trade Law and the U.S. Export Administration Regulations. Export and re-export of Product or related software or technology are strictly prohibited except in compliance with all applicable export laws and regulations.
- Please contact your TOSHIBA sales representative for details as to environmental matters such as the RoHS compatibility of Product. Please use Product in compliance with all applicable laws and regulations that regulate the inclusion or use of controlled substances, including without limitation, the EU RoHS Directive. **TOSHIBA ASSUMES NO LIABILITY FOR DAMAGES OR LOSSES OCCURRING AS A RESULT OF NONCOMPLIANCE WITH APPLICABLE LAWS AND REGULATIONS.**

Компания «Океан Электроники» предлагает заключение долгосрочных отношений при поставках импортных электронных компонентов на взаимовыгодных условиях!

Наши преимущества:

- Поставка оригинальных импортных электронных компонентов напрямую с производств Америки, Европы и Азии, а так же с крупнейших складов мира;
- Широкая линейка поставок активных и пассивных импортных электронных компонентов (более 30 млн. наименований);
- Поставка сложных, дефицитных, либо снятых с производства позиций;
- Оперативные сроки поставки под заказ (от 5 рабочих дней);
- Экспресс доставка в любую точку России;
- Помощь Конструкторского Отдела и консультации квалифицированных инженеров;
- Техническая поддержка проекта, помощь в подборе аналогов, поставка прототипов;
- Поставка электронных компонентов под контролем ВП;
- Система менеджмента качества сертифицирована по Международному стандарту ISO 9001;
- При необходимости вся продукция военного и аэрокосмического назначения проходит испытания и сертификацию в лаборатории (по согласованию с заказчиком);
- Поставка специализированных компонентов военного и аэрокосмического уровня качества (Xilinx, Altera, Analog Devices, Intersil, Interpoint, Microsemi, Actel, Aeroflex, Peregrine, VPT, Syfer, Eurofarad, Texas Instruments, MS Kennedy, Miteq, Cobham, E2V, MA-COM, Hittite, Mini-Circuits, General Dynamics и др.);

Компания «Океан Электроники» является официальным дистрибьютором и эксклюзивным представителем в России одного из крупнейших производителей разъемов военного и аэрокосмического назначения «JONHON», а так же официальным дистрибьютором и эксклюзивным представителем в России производителя высокотехнологичных и надежных решений для передачи СВЧ сигналов «FORSTAR».



JONHON

«JONHON» (основан в 1970 г.)

Разъемы специального, военного и аэрокосмического назначения:

(Применяются в военной, авиационной, аэрокосмической, морской, железнодорожной, горно- и нефтедобывающей отраслях промышленности)

«FORSTAR» (основан в 1998 г.)

ВЧ соединители, коаксиальные кабели, кабельные сборки и микроволновые компоненты:

(Применяются в телекоммуникациях гражданского и специального назначения, в средствах связи, РЛС, а так же военной, авиационной и аэрокосмической отраслях промышленности).



Телефон: 8 (812) 309-75-97 (многоканальный)

Факс: 8 (812) 320-03-32

Электронная почта: ocean@oceanchips.ru

Web: <http://oceanchips.ru/>

Адрес: 198099, г. Санкт-Петербург, ул. Калинина, д. 2, корп. 4, лит. А