

### GENERAL SPECIFICATIONS

#### Electrical Capacity

**Resistive Load:** HS13: 6A @ 125V AC, 3A @ 250V AC, or 5A @ 30V DC  
 HS16: 12A @ 125V AC or 6A @ 250V AC  
 TS: 6A @ 125/250V AC  
 PS: 30A @ 125/250V AC

#### Other Ratings

**Contact Resistance:** 10 milliohms maximum  
**Insulation Resistance:** 200 megohms minimum @ 500V DC  
**Dielectric Strength:** 1,500V AC minimum for 1 minute minimum  
**Mechanical Life:** HS: 15,000 operations minimum  
 TS: 30,000 operations minimum  
 PS: 10,000 operations minimum  
**Electrical Life:** HS: 7,500 operations minimum  
 TS: 10,000 operations minimum  
 PS: 5,000 operations minimum  
**Indexing:** 30° for HS16, TS & PS; 45° for HS13  
**Contact Timing:** Nonshorting HS13; Shorting & Nonshorting HS16; Nonshorting TS; Nonshorting PS  
**Range of Operating Torque:** HS16: 0.54 ~ 0.64Nm for first pole & 0.05Nm for each additional pole  
 HS13: 0.15 ~ 0.24Nm  
 TS: 0.09Nm for first pole & (0.07Nm x total number of poles) + 0.13Nm for additional poles  
 PS: 0.14Nm for each pole

#### Materials & Finishes

**Knob:** Phenolic resin  
**Shaft:** HS13: brass; HS16, TS, & PS: brass with nickel plating  
**Bushing:** HS13: brass; HS16, TS, & PS: brass with nickel plating  
**Case:** Phenolic resin  
**Movable Contacts:** HS13, HS16, & TS phosphor bronze; PS silver alloy  
**Stationary Contacts:** HS13, HS16, & PS: brass with silver plating; TS: phosphor bronze  
**Terminals:** HS: phosphor bronze; TS & PS: copper with silver plating

#### Environmental Data

**Operating Temp Range:** -10°C through +70°C (+14°F through +158°F)  
**Humidity:** 90 ~ 98% humidity for 96 hours @ 40°C (104°F)  
**Vibration:** 10 ~ 55 Hz with peak-to-peak amplitude of 1.5mm traversing the frequency range & returning in 1 minute; 3 right angled directions for 2 hours  
**Shock:** 50G (490m/s<sup>2</sup>) acceleration (tested in 3 right angled directions, with 3 shocks in each direction)

#### Installation

**Mounting Torque:** 2.94Nm (26 lb•in)  
**Maximum Panel Thickness:** Shown with panel cutouts in following drawings  
**Soldering Time & Temperature:** Manual Soldering (HS series only): See Profile A in Supplement section.

#### Standards & Certifications

**UL:** **File No. E44145 - Recognized only when ordered with marking on switch.**  
 Add "/U" or "/CUL" to end of part number to order UL recognized switch.  
 HS16 models 1- through 6-pole are recognized at 12A @ 125V AC & 6A @ 250V AC  
 See Supplement section to find UL or cULus rating details.

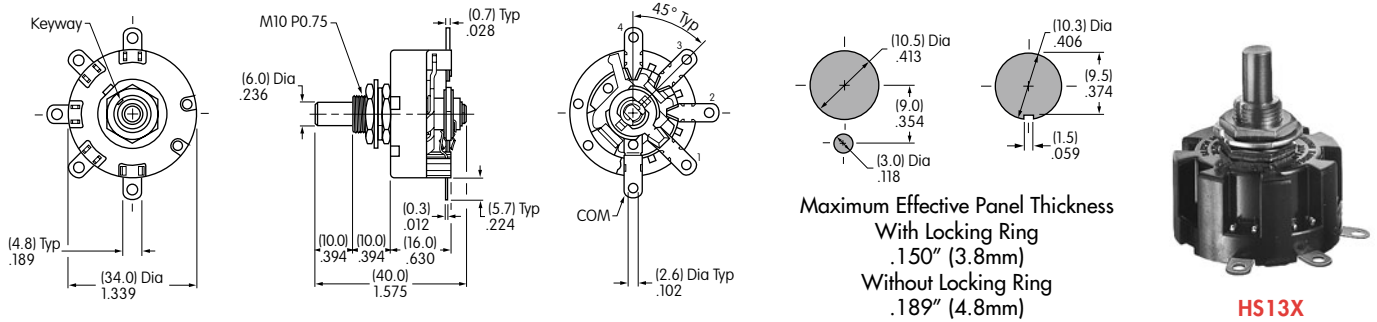
## Standard Size Rotaries

### 6 AMP SINGLE POLE/NONSHORTING/45° INDEXING

| Round Shaft | D-flat Shaft | Number of Positions | Stopper Settings | Number of Terminals * | Load Terminals | Schematics |       |       |
|-------------|--------------|---------------------|------------------|-----------------------|----------------|------------|-------|-------|
|             |              |                     |                  |                       |                | HS13X      | HS13Y | HS13Z |
| HS13X       | HS13X-D      | 2                   | Fixed            | 1 COM, 2 LOAD         | 1 & 2          |            |       |       |
| HS13Y       | HS13Y-D      | 3                   | Fixed            | 1 COM, 3 LOAD         | 1, 2, & 3      |            |       |       |
| HS13Z       | HS13Z-D      | 4                   | Fixed            | 1 COM, 4 LOAD         | 1, 2, 3, & 4   |            |       |       |

Switch is viewed from shaft end and shown in position 1. Terminal numbers are not on switch. Standard Hardware shown on last page of this section.

\* Wire harness & cable assemblies offered only in Americas.



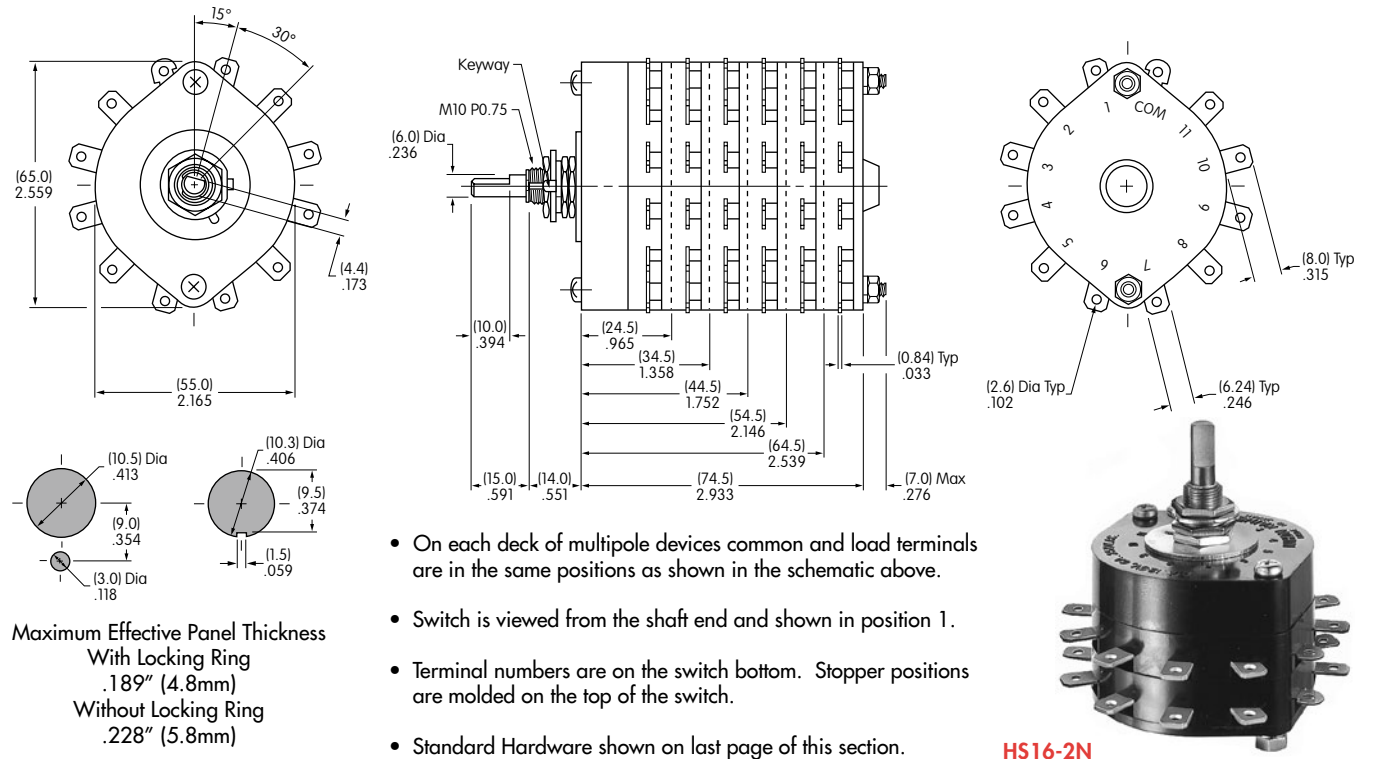
**HS13X**

### 12 AMP/SHORTING & NONSHORTING/30° INDEXING

| Knurled Shaft |          | D-flat Shaft |          | Pole | Number of Positions | Stopper Settings | Number of Terminals * | Schematic |
|---------------|----------|--------------|----------|------|---------------------|------------------|-----------------------|-----------|
| Nonshorting   | Shorting | Nonshorting  | Shorting |      |                     |                  |                       |           |
| HS16-1        | HS16-1S  | HS16-1N      | HS16-1SN | 1P   | 2-11                | 2, 3, 4 . . . 11 | 1 COM, 11 LOAD        |           |
| HS16-2        | HS16-2S  | HS16-2N      | HS16-2SN | 2P   | 2-11                | 2, 3, 4 . . . 11 | 2 COM, 22 LOAD        |           |
| HS16-3        | HS16-3S  | HS16-3N      | HS16-3SN | 3P   | 2-11                | 2, 3, 4 . . . 11 | 3 COM, 33 LOAD        |           |
| HS16-4        | HS16-4S  | HS16-4N      | HS16-4SN | 4P   | 2-11                | 2, 3, 4 . . . 11 | 4 COM, 44 LOAD        |           |
| HS16-5        | HS16-5S  | HS16-5N      | HS16-5SN | 5P   | 2-11                | 2, 3, 4 . . . 11 | 5 COM, 55 LOAD        |           |
| HS16-6        | HS16-6S  | HS16-6N      | HS16-6SN | 6P   | 2-11                | 2, 3, 4 . . . 11 | 6 COM, 66 LOAD        |           |

Switch is viewed from shaft end and shown in position 1. Terminal numbers are not on switch. Standard Hardware shown on last page of this section.

\* Wire harness & cable assemblies offered only in Americas.

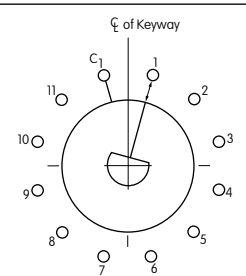


Maximum Effective Panel Thickness  
 With Locking Ring  
 .189" (4.8mm)  
 Without Locking Ring  
 .228" (5.8mm)

- On each deck of multipole devices common and load terminals are in the same positions as shown in the schematic above.
- Switch is viewed from the shaft end and shown in position 1.
- Terminal numbers are on the switch bottom. Stopper positions are molded on the top of the switch.
- Standard Hardware shown on last page of this section.

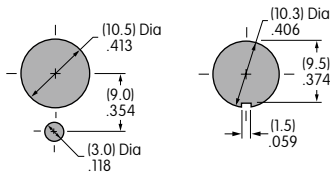
**HS16-2N**

### 6 AMP/NONSHORTING/ADJUSTABLE STOP/30° INDEXING

| Model | Pole | Number of Positions | Stopper Settings | Number of Terminals | Shaft Type | Schematic   |
|-------|------|---------------------|------------------|---------------------|------------|---|
| TS1N  | 1P   | 2-11                | 2, 3, 4 . . . 11 | 1 COM, 11 LOAD      | D Flat     |  <p>On each deck of multipole devices common &amp; load terminals are in the same positions as shown in this schematic.</p> <p>Switch is viewed from the shaft end and shown in position 1.</p> <p>Terminal numbers are on the switch bottom. Stopper positions are molded on the top of the switch.</p> |
| TS2N  | 2P   | 2-11                | 2, 3, 4 . . . 11 | 2 COM, 22 LOAD      | D Flat     |   |
| TS3N  | 3P   | 2-11                | 2, 3, 4 . . . 11 | 3 COM, 33 LOAD      | D Flat     |   |
| TS4N  | 4P   | 2-11                | 2, 3, 4 . . . 11 | 4 COM, 44 LOAD      | D Flat     |   |
| TS5N  | 5P   | 2-11                | 2, 3, 4 . . . 11 | 5 COM, 55 LOAD      | D Flat     |   |

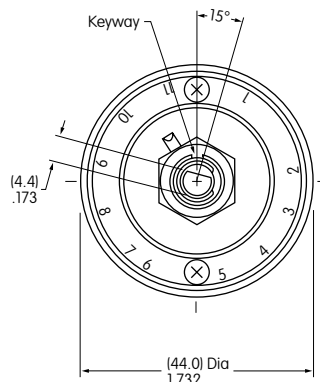
• Standard Hardware shown on last page of this section.

#### Panel Cutouts

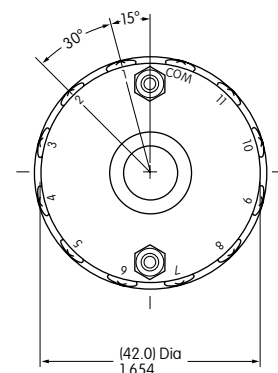


Maximum Effective Panel Thickness  
 With Locking Ring .189" (4.8mm)  
 Without Locking Ring .228" (5.8mm)

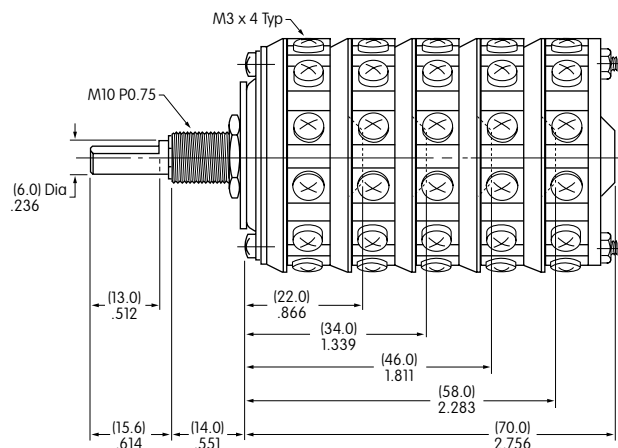
#### Top



#### Bottom



TS5N



Toggles

Rockers

Pushbuttons

Illuminated PB

Programmable

Keylocks

Rotaries

Slides

Tactiles

Tilt

Touch

Indicators

Accessories

Supplement

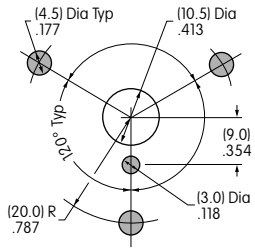
30 AMP/NONSHORTING/ADJUSTABLE STOP/30° INDEXING

| Knurled Shaft | D Flat Shaft | Pole | Number of Positions | Stopper Settings | Number of Terminals | Schematic |
|---------------|--------------|------|---------------------|------------------|---------------------|-----------|
| PS1           | PS1N         | 1P   | 2-11                | 2, 3, 4 . . . 11 | 1 COM, 11 LOAD      |           |
| PS2           | PS2N         | 2P   | 2-11                | 2, 3, 4 . . . 11 | 2 COM, 22 LOAD      |           |
| PS3           | PS3N         | 3P   | 2-11                | 2, 3, 4 . . . 11 | 3 COM, 33 LOAD      |           |
| PS4           | PS4N         | 4P   | 2-11                | 2, 3, 4 . . . 11 | 4 COM, 44 LOAD      |           |
| PS5           | PS5N         | 5P   | 2-11                | 2, 3, 4 . . . 11 | 5 COM, 55 LOAD      |           |

On each deck of multipole devices common & load terminals are in the same positions as shown in this schematic. Switch is viewed from the shaft end and shown in position 1. Terminal numbers are on switch bottom. Stopper positions are molded on the top of the switch.

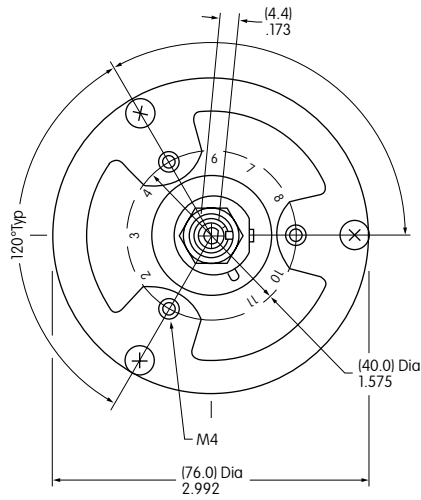
- Standard Hardware shown on last page of this section.

Panel Cutout

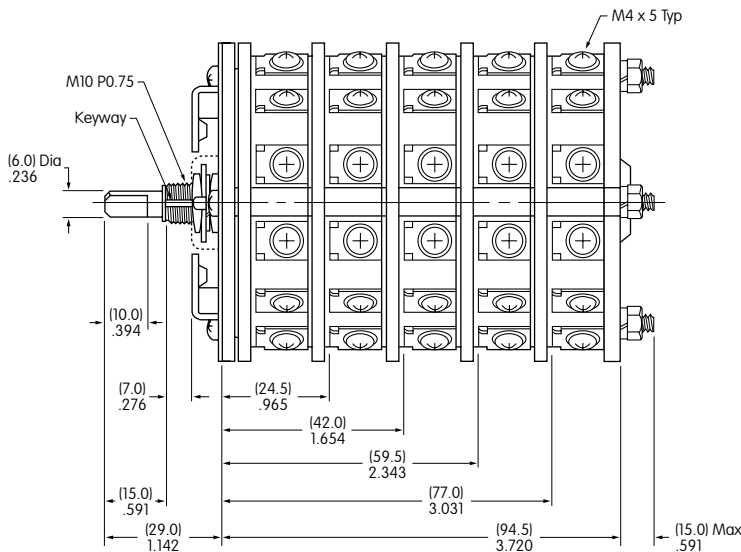
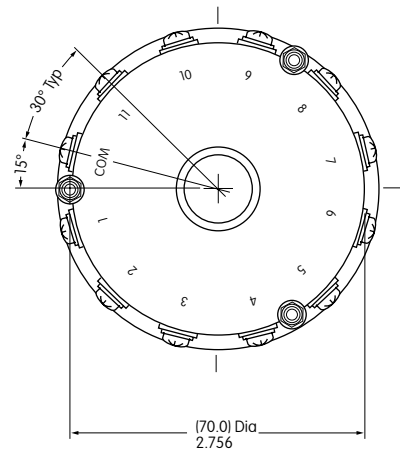


Maximum Effective Panel Thickness Without Locking Ring  
.189" (4.8mm)

Top



Bottom



PS4N

Toggles

Rockers

Pushbuttons

Programmable Illuminated PB

Keylocks

Rotaries

Slides

Tactiles

Tilt

Touch

Indicators

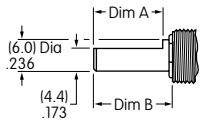
Accessories

Supplement

## SHAFT TYPES

### D Flat Shaft

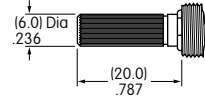
For use with  
AT431 and AT432



| Dimension A              | Dimension B              |
|--------------------------|--------------------------|
| For TS (13.0) .512       | For TS (15.6) .614       |
| For HS (10.0) or PS .394 | For HS (15.0) or PS .591 |

### Knurled Shaft

Not for use with  
AT431 or AT432

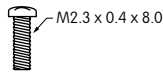
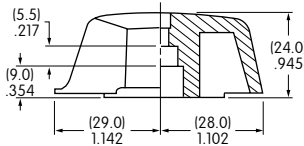
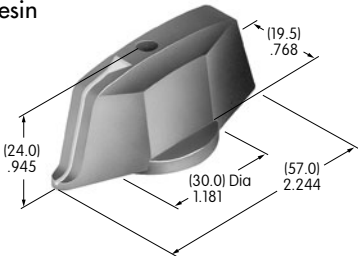


## OPTIONAL KNOBS FOR D FLAT SHAFTS

### AT431 Large Knob

Phenolic Resin

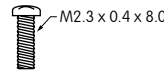
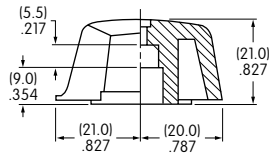
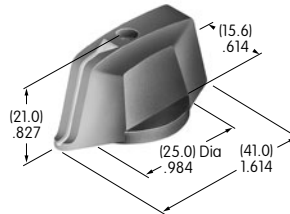
Black only  
with white  
indicator  
line



### AT432 Small Knob

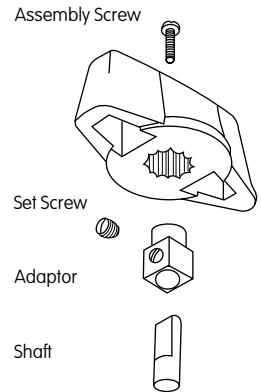
Phenolic Resin

Black only  
with white  
indicator  
line



### Knob Orientation

The rotary knobs used on the D-flat shafts can be oriented on the switch to suit the customer's particular front panel needs simply by sliding the knob over the square adaptor at the preferred orientation.



## STOPPER SETTING

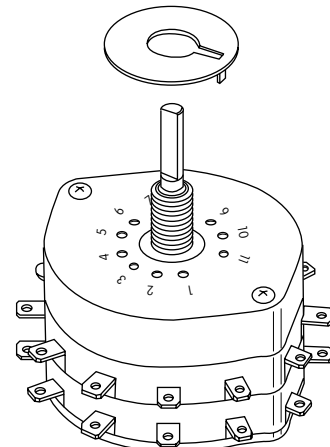
### For HS16, TS, & PS Models

The HS16, TS, and PS switches are supplied with the stopper plate set for the maximum number of positions allowed for that model. Prior to installation, the desired stopper setting should be made:

1. Be sure the shaft is turned counterclockwise to the extreme left. If the shaft is not turned counterclockwise to the extreme left, proper setting cannot be achieved.
2. Loosen the nut far enough to allow raising the stopper plate for resetting.
3. Insert the stopper in the numbered hole for the desired stopper setting. Satisfactory switch functioning cannot be assured if the stopper plate is not properly positioned.
4. Tighten the nut firmly against the stopped plate.

### Standard Hardware Supplied with HS, TS, and PS:

AT526 Hex Mounting Nut (quantity 3)  
AT518 Locking Ring (quantity 1)  
AT520 Split Lockwasher (quantity 1)  
Use of mounting supports on PS is optional; screws are not provided.



Компания «Океан Электроники» предлагает заключение долгосрочных отношений при поставках импортных электронных компонентов на взаимовыгодных условиях!

Наши преимущества:

- Поставка оригинальных импортных электронных компонентов напрямую с производств Америки, Европы и Азии, а так же с крупнейших складов мира;
- Широкая линейка поставок активных и пассивных импортных электронных компонентов (более 30 млн. наименований);
- Поставка сложных, дефицитных, либо снятых с производства позиций;
- Оперативные сроки поставки под заказ (от 5 рабочих дней);
- Экспресс доставка в любую точку России;
- Помощь Конструкторского Отдела и консультации квалифицированных инженеров;
- Техническая поддержка проекта, помощь в подборе аналогов, поставка прототипов;
- Поставка электронных компонентов под контролем ВП;
- Система менеджмента качества сертифицирована по Международному стандарту ISO 9001;
- При необходимости вся продукция военного и аэрокосмического назначения проходит испытания и сертификацию в лаборатории (по согласованию с заказчиком);
- Поставка специализированных компонентов военного и аэрокосмического уровня качества (Xilinx, Altera, Analog Devices, Intersil, Interpoint, Microsemi, Actel, Aeroflex, Peregrine, VPT, Syfer, Eurofarad, Texas Instruments, MS Kennedy, Miteq, Cobham, E2V, MA-COM, Hittite, Mini-Circuits, General Dynamics и др.);

Компания «Океан Электроники» является официальным дистрибьютором и эксклюзивным представителем в России одного из крупнейших производителей разъемов военного и аэрокосмического назначения «JONHON», а так же официальным дистрибьютором и эксклюзивным представителем в России производителя высокотехнологичных и надежных решений для передачи СВЧ сигналов «FORSTAR».



## JONHON

«JONHON» (основан в 1970 г.)

Разъемы специального, военного и аэрокосмического назначения:

(Применяются в военной, авиационной, аэрокосмической, морской, железнодорожной, горно- и нефтедобывающей отраслях промышленности)

«FORSTAR» (основан в 1998 г.)

ВЧ соединители, коаксиальные кабели,  
кабельные сборки и микроволновые компоненты:

(Применяются в телекоммуникациях гражданского и специального назначения, в средствах связи, РЛС, а так же военной, авиационной и аэрокосмической отраслях промышленности).



Телефон: 8 (812) 309-75-97 (многоканальный)

Факс: 8 (812) 320-03-32

Электронная почта: [ocean@oceanchips.ru](mailto:ocean@oceanchips.ru)

Web: <http://oceanchips.ru/>

Адрес: 198099, г. Санкт-Петербург, ул. Калинина, д. 2, корп. 4, лит. А