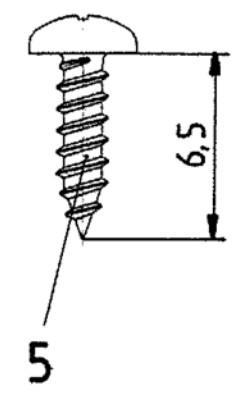
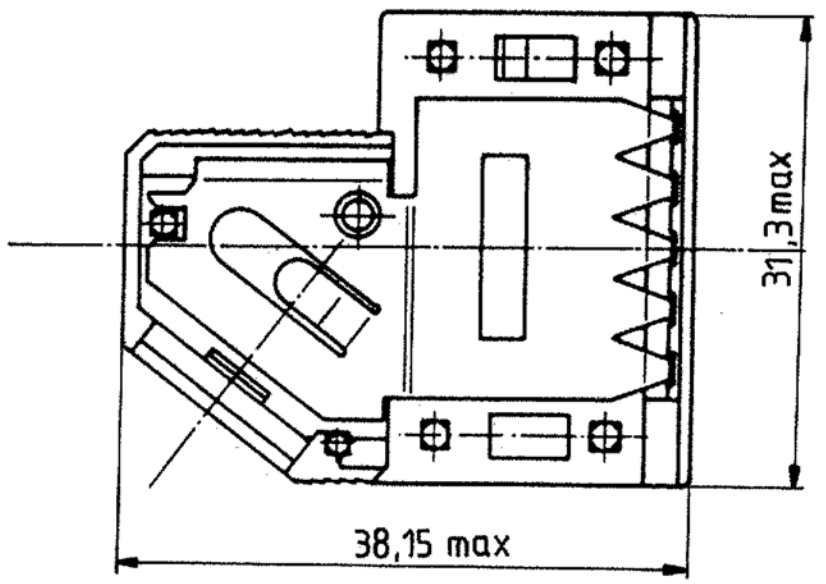
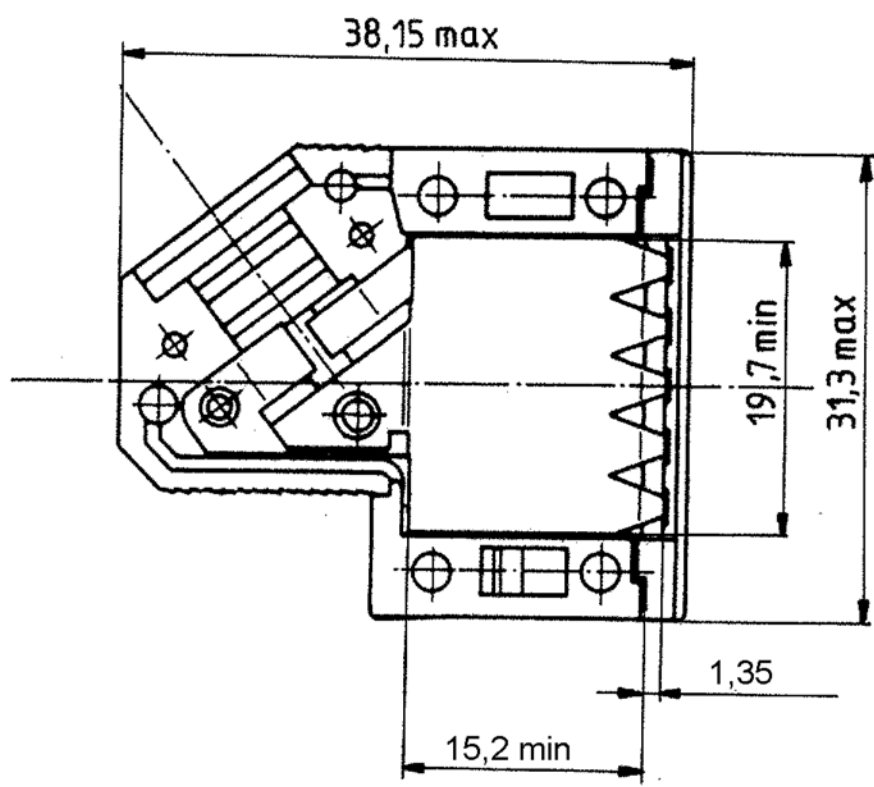
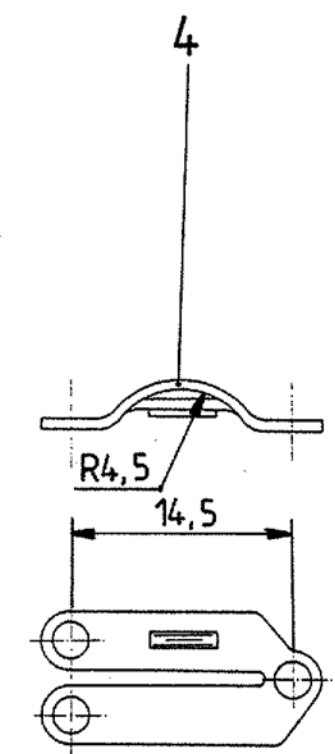
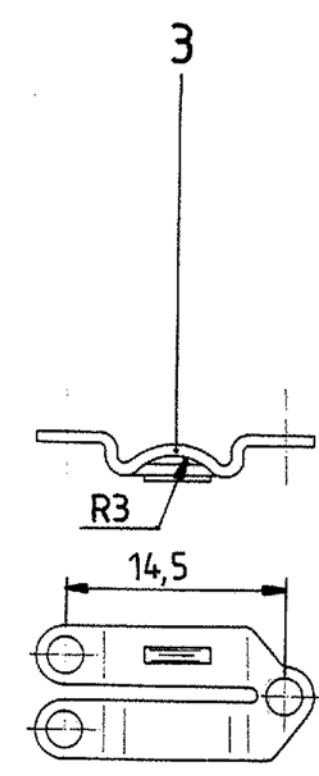
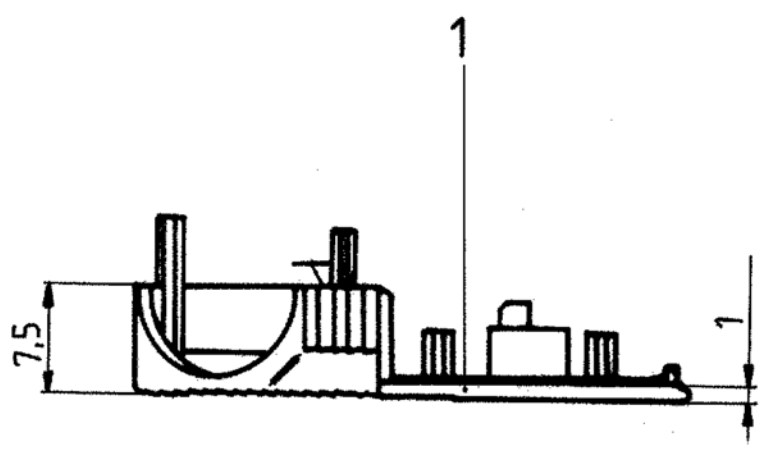
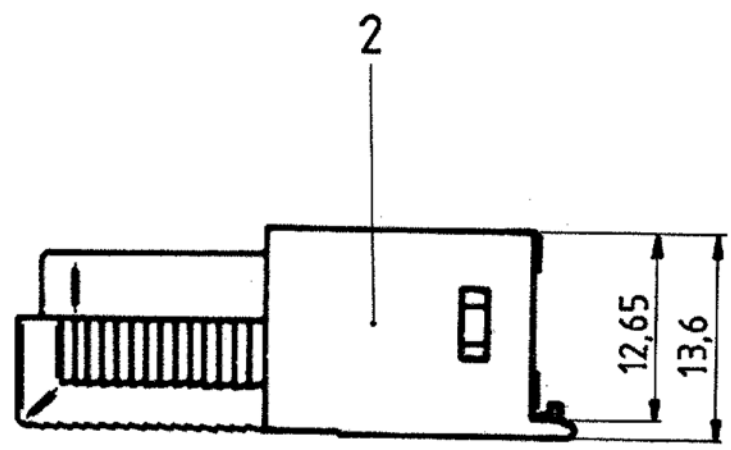


Sin nuestra expresa autorización, queda terminantemente prohibida la reproducción total o parcial de este documento, así como su uso indebido y/o su exhibición o comunicación a terceros. De los infractores se exigirá el correspondiente resarcimiento de daños y perjuicios. Se reserva todos los derechos para el caso de la concesión de patente de invención o el registro de Modelo Industrial.

Weitergabe sowie Veröffentlichung dieser Unterlage, Verwertung und Mitteilung ihres Inhalts sind nicht gestattet, soweit nicht ausdrücklich zugestanden. Zuwiderhandlungen verpflichten zu Schadenersatz. Alle Rechte für den Fall der Patenterteilung oder GM-Eintragung vorbehalten.

Copying of this document, and giving it to others and the use or communication of the contents thereof, are forbidden without express authority. Offenders are liable to the payment of damages. All rights are reserved in the event of the grant of a patent or the registration of a utility model or design.



1 FOR PLASTIC PARTS (POS. 1 AND 2):  
 - LENGTHS: DIN 16901/130,  
 - ANGLES, FORMS: DIN 7168-m, R,  
 FOR METAL PARTS (POS. 3 AND 4): DIN 7168-m,  
 FOR SCREWS (POS. 5 AND 6): DIN 7981 F-H.

P/N 9 contacts version: V42254-A6000-G\*09

|  |   |  |
|--|---|--|
|  | Maßstab   |  |
|  |   |  |
|  | Datum: 30.08.88<br>Bearb: De Petter<br>Geor: PD Com P&SE<br>Norm: |  |
|  | D-Sub housing<br>shielded 9 contacts                              |  |

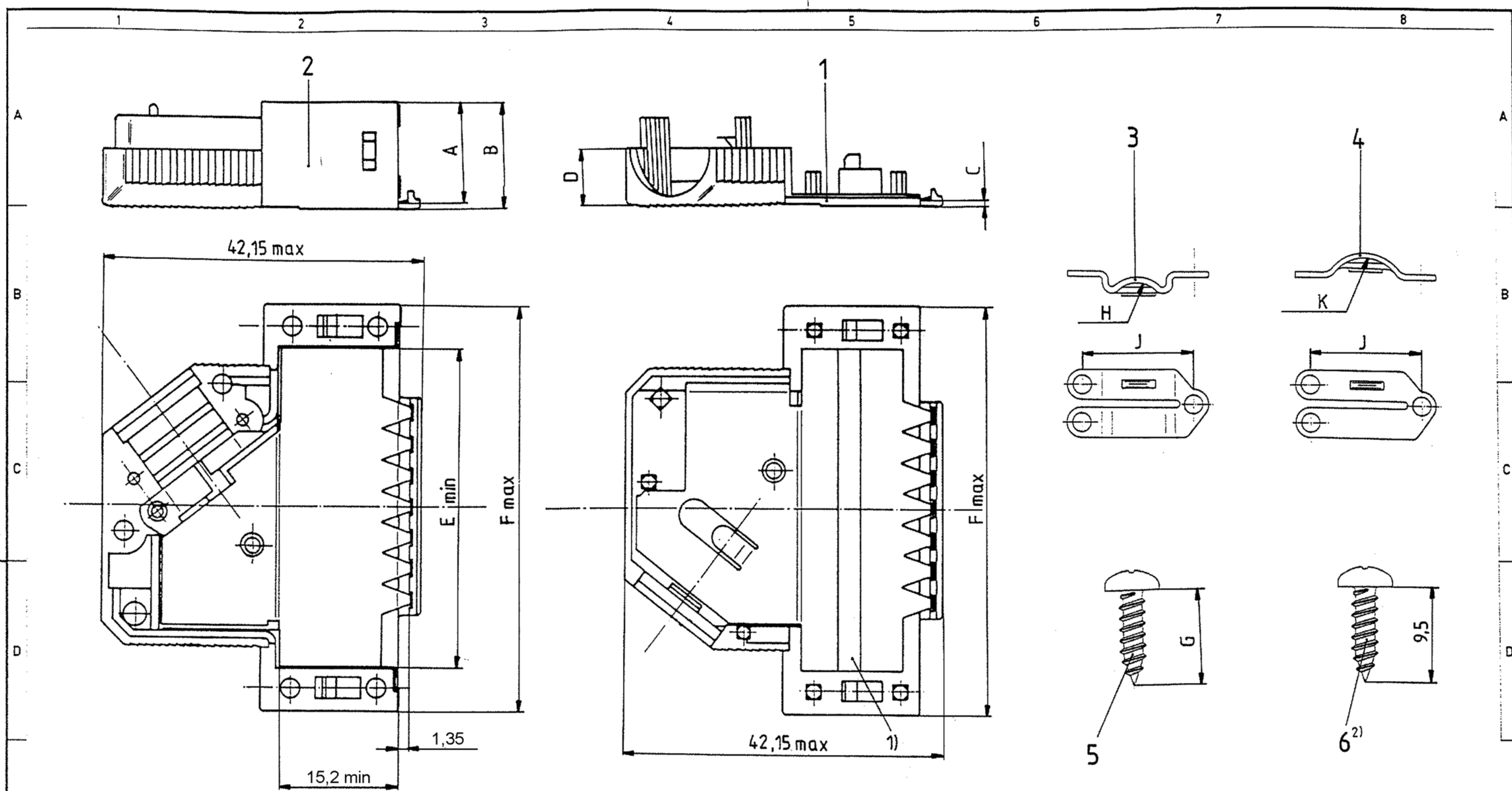
|      |               |         |      |
|------|---------------|---------|------|
| D    | ECO-12-017358 | 22JAN13 | CWR  |
| C    | ECO-12-008266 | 28AUG12 | CWR  |
| Zust | Mitteilung    | Datum   | Name |

|  |  |      |
|--|--|------|
| TOLERANCES UNLESS OTHERWISE SPECIFIED: |  | page |
| V42254-A6000-G***-*-27                 |  | 1+   |
| customer drawing number: C 1393738-1   |  | of 6 |

Si esta copia o versión autorizada queda permanentemente prohibida la reproducción total o parcial de este documento, así como su uso indebido y/o su exhibición o comunicación a terceros. De los infractores se exigirá el correspondiente resarcimiento de daños y perjuicios. Se reserva todos los derechos para el caso de la concesión de patente de invención o el registro de Modelo Industrial.

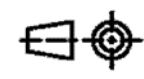


Weitergabe sowie Vervielfältigung dieses Unterbauelementes und Mitteilung ihres Inhalts ist nicht gestattet, soweit nicht ausdrücklich zugestanden. Zuwiderhandlung kann strafrechtliche und zivilrechtliche Ansprüche zur Schadensersatzung auslösen. Alle Rechte vorbehalten. Fall der Patenterteilung oder GM-Umtragung vorbehalten.

Copying of this document and giving it to others and the use or communication of the contents thereof are forbidden without express authority. Offenders are liable to the payment of damages. All rights are reserved in the event of the grant of a patent or the registration of a utility model or design.



| housing       |                 | dimension |      |     |     |       |       |     |      |      |      |
|---------------|-----------------|-----------|------|-----|-----|-------|-------|-----|------|------|------|
| P/N           | No. of contacts | A         | B    | C   | D   | E     | F     | G   | H    | J    | K    |
| V42254-A6000- |                 |           |      |     |     |       |       |     |      |      |      |
| G × 15        | 15              |           |      |     |     | 28    | 39,62 |     | R3   | 14,5 | R4,5 |
| G × 25        | 25              | 13        | 14   | 1   | 7,5 | 41,8  | 53,52 | 6,5 | R4   | 16   | R5,5 |
| G × 37        | 37              |           |      |     |     | 58,25 | 69,8  |     |      |      |      |
| G × 50        | 50              | 16        | 17,5 | 1,5 | 9,5 | 55,78 | 67,41 | 9,5 | R5,5 | 20,6 | R7   |

2) only for the 37 contacts version  
 1) tape only for the 15 to 37 contacts versions  
 drawn is the 25 contacts version

|  |  |   |  |   |  |
|--|--|---|--|---|--|
|  |  |  |  | Maßstab                                     |  |
|  |  |  |  | TE Connectivity                             |  |
|  |  | Datum: 30.08.88<br>Bearb. De Petter<br>Gepr. PD Com P&SE<br>Norm.:                    |  | D-Sub housing<br>shielded 15 to 50 contacts |  |
|  |  | TOLERANCES UNLESS OTHERWISE SPECIFIED:  |  | <b>V42254-A6000-G***-*-27</b>               |  |
|  |  | D SEE SHEET 1   |  | page 2+                                     |  |
|  |  | Zust. Mitteilung Datum Name   |  | customer drawing number: C 1393738-1        |  |
|  |  |  |  | of 6  |  |

V 4 2 2 5 4 - A 6 0 0 \* - G \* \* \*

Housing type

G plastic housing, shielded

Marking and colour of the housing

- 1 TE-marking, grey
- 2 without marking, grey
- 3 TE-marking, black
- 4 without marking, black

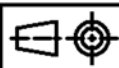
| wire diameter | No. of contacts - housing size |         |       |   |        |    |                              |
|---------------|--------------------------------|---------|-------|---|--------|----|------------------------------|
|               | 0                              | 1       | 2     | 3 | 4      |    |                              |
| 9-14,5        | 4-8                            | 4-6     | 6-8   |   | 4-8    | 09 | 9 contact - housing size 1   |
| 6-11          | 5-10                           | 5-8     | 8-10  |   | 5-10   | 15 | 15 contacts - housing size 2 |
| 9-14,5        | 5-11                           | 5-8,5   | 8,5-1 |   | 5-11   | 25 | 25 contacts - housing size 3 |
| 6-11          | 6-8                            |         | 10-11 |   | 6-11   | 37 | 37 contacts - housing size 4 |
| 9-14,5        | 9-12                           | 12-14,5 |       |   | 9-14,5 | 50 | 50 contacts - housing size 5 |

Packaging

|        |     |     |     |     |     |   |
|--------|-----|-----|-----|-----|-----|---|
| set 1) | 200 | 200 | 200 | 200 | 200 | 1) per set, in blister<br>- 9 and 15 contacts : 25<br>- 25, 37 and 50 contacts : 15 |
| 2)     | 200 | 200 | 200 | 200 | 200 | 2) loose pieces, in cardboard : 200   |



TE Connectivity



LOC DIMENSIONS IN MM

SCALE WEIGHT

MATERIAL

DATE 30.08.88

NAME De Petter

DEP. PD Com P&SE

EC

TOLERANCE UNLESS SPECIFIED OTHERWISE

NAME D-Sub Housing

shielded

DWG NO. SHT. 3+

V42254-A6000-G\*\*\*-\*-27

REV. CHANGE ORDER DATE APP. customer drawing number: C 1393738-1 OF 6

THIS INFORMATION IS CONFIDENTIAL AND PROPRIETARY TO TYCO ELECTRONICS CORPORATION AND ITS WORLDWIDE SUBSIDIARIES AND AFFILIATES. IT MAY NOT BE DISCLOSED TO ANYONE, OTHER THAN TYCO ELECTRONICS PERSONEL, WITHOUT WRITTEN AUTHORIZATION FROM TYCO ELECTRONICS CORPORATION, HARRISBURG, PENNSYLVANIA USA.

PROPRIETARY:

1

2

3

4

A

Active part numbers. Contact Tyco Electronics for other configuration availability

B

| Old Part Number   | TE Part Number       |                           |
|-------------------|----------------------|---------------------------|
| V42254-A6000-G109 | 1393738-1            |                           |
| V42254-A6000-G115 | 1393738-2            |                           |
| V42254-A6000-G125 | 1393738-3            |                           |
| V42254-A6000-G137 | 1393738-4            |                           |
| V42254-A6000-G150 | 1393738-5            |                           |
| V42254-A6000-G209 | <del>1393738-6</del> | OBSOLETE                  |
| V42254-A6000-G309 | <del>1393738-7</del> | OBSOLETE                  |
| V42254-A6000-G315 | <del>1393738-8</del> | OBSOLETE                  |
| V42254-A6000-G325 | 1393738-9            | SUPERSEDED BY 1393738-1   |
| V42254-A6001-G109 | 4-1393738-2          | OBSOLETE                  |
| V42254-A6001-G125 | 4-1393738-4          | SUPERSEDED BY 6-1393738-1 |
| V42254-A6001-G309 | 4-1393738-5          | SUPERSEDED BY 1-1393739-9 |
| V42254-A6001-G315 | 4-1393738-6          | SUPERSEDED BY 6-1393738-7 |
| V42254-A6002-G109 | 5-1393738-0          | OBSOLETE                  |
| V42254-A6002-G125 | 5-1393738-2          | SUPERSEDED BY 6-1393738-1 |
| V42254-A6003-G137 | 5-1393738-7          | SUPERSEDED BY 6-1393738-2 |
| V42254-A6004-G109 | 5-1393738-9          |                           |
| V42254-A6004-G115 | 6-1393738-0          |                           |
| V42254-A6004-G125 | 6-1393738-1          |                           |
| V42254-A6004-G137 | 6-1393738-2          |                           |
| V42254-A6004-G150 | 6-1393738-3          |                           |
| V42254-A6004-G209 | 6-1393738-4          | SUPERSEDED BY 5-1393738-9 |
| V42254-A6004-G215 | 6-1393738-5          | OBSOLETE                  |
| V42254-A6004-G225 | 6-1393738-6          | OBSOLETE                  |
| V42254-A6004-G309 | 1-1393739-9          | OBSOLETE                  |
| V42254-A6004-G315 | 6-1393738-7          | OBSOLETE                  |
| V42254-A6004-G325 | 2-1393739-0          | OBSOLETE                  |
| V42254-A6004-G337 | 2-1393739-1          | SUPERSEDED BY 6-1393738-2 |
| V42254-A6004-G350 | 2-1393739-2          | SUPERSEDED BY 6-1393738-3 |
| V42254-A6004-G409 | 6-1393738-8          | OBSOLETE                  |
| V42254-A6004-G415 | 6-1393738-9          | OBSOLETE                  |
| V42254-A6004-G437 | 7-1393738-1          | OBSOLETE                  |

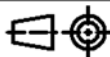
C

D

E



TE Connectivity



LOC DIMENSIONS IN MM  
GW

SCALE

WEIGHT

MATERIAL

DATE 30.08.88

NAME

NAME De Petter

D-Sub Housing

DEP. PD Com P&SE

shielded

EC

TOLERANCE UNLESS SPECIFIED OTHERWISE

DWG NO.

SHT. 4+

V42254-A6000-G\*\*\*-\*-27

D SEE SHEET 1.

REV. CHANGE ORDER DATE APP. Customer Drawing: C 1393738-1

OF 6

1

2

3

4

F

THIS INFORMATION IS CONFIDENTIAL AND PROPRIETARY TO TYCO ELECTRONICS CORPORATION AND ITS WORLDWIDE SUBSIDIARIES AND AFFILIATES. IT MAY NOT BE DISCLOSED TO ANYONE, OTHER THAN TYCO ELECTRONICS PERSONEL, WITHOUT WRITTEN AUTHORIZATION FROM TYCO ELECTRONICS CORPORATION, HARRISBURG, PENNSYLVANIA USA.

PROPRIETARY:


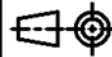
PROPRIETARY: THIS INFORMATION IS CONFIDENTIAL AND PROPRIETARY TO TYCO ELECTRONICS CORPORATION AND ITS WORLDWIDE SUBSIDIARIES AND AFFILIATES. IT MAY NOT BE DISCLOSED TO ANYONE, OTHER THAN TYCO ELECTRONICS PERSONNEL, WITHOUT WRITTEN AUTHORIZATION FROM TYCO ELECTRONICS CORPORATION, HARRISBURG PENNSYLVANIA USA

V 4 2 2 5 4 - A 6 1 \* \* - L 1

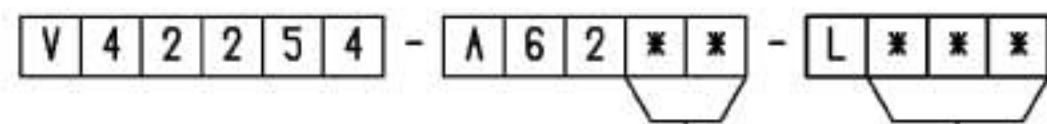
| Technical data |  |                                       |
|----------------|--|---------------------------------------|
|                | contact tube<br>outer diameter<br>±0.1 | for shield braiding<br>outer diameter |
| 04             | 4                                      | 2.0 to 2.7                            |
| 05             | 5                                      | 2.8 to 3.7                            |
| 06             | 6                                      | 3.8 to 4.7                            |
| 07             | 7                                      | 4.8 to 5.7                            |
| 08             | 8                                      | 5.8 to 6.7                            |
| 09             | 9                                      | 6.8 to 7.7                            |
| 10             | 10                                     | 7.8 to 8.7                            |
| 11             | 11                                     | 8.8 to 9.7                            |
| 12             | 12                                     | 9.8 to 10.7                           |
| 13             | 13                                     | 10.8 to 11.7                          |
| 14             | 14                                     | 11.8 to 12.7                          |
| 15             | 15                                     | 12.8 to 13.7                          |

Active part numbers. Contact Tyco Electronics for other configuration availability

| Old Part Number | TE Part Number         |          |
|-----------------|------------------------|----------|
| V42254-A6104-L1 | 3-1393561-2            | OBSOLETE |
| V42254-A6105-L1 | 3-1393561-3            |          |
| V42254-A6106-L1 | 3-1393561-4            |          |
| V42254-A6107-L1 | 3-1393561-5            |          |
| V42254-A6108-L1 | 3-1393561-6            |          |
| V42254-A6109-L1 | 3-1393561-9            |          |
| V42254-A6110-L1 | 4-1393561-0            |          |
| V42254-A6111-L1 | <del>4-1393561-1</del> | OBSOLETE |
| V42254-A6112-L1 | 4-1393561-2            |          |
| V42254-A6113-L1 | 4-1393561-3            | OBSOLETE |
| V42254-A6114-L1 | 4-1393561-4            | OBSOLETE |
| V42254-A6115-L1 | 5-1393502-9            | OBSOLETE |

|  |  |  |  |   |  |         |  |
|--|--|--|--|---|--|---------|--|
| APPLICABLE SPEC.:  |  |  |  | FINISH  |  |         |  |
|  <b>TE Connectivity</b> |  |  |  | DIMENSIONS APPLY                                  |  | PLATING |  |
|  |  |  |  | SCALE   |  | WEIGHT  |  |
|  DIMENSIONS IN MM       |  |  |  | MATERIAL  |  |         |  |
| DATE: 30.08.88<br>NAME: De Petter<br>DEP.: PD Com P&SE<br>EC   |  |  |  | NAME: D-Sub Housing<br>accessories: contact tubes |  |         |  |
| TOLERANCE UNLESS SPECIFIED OTHERWISE   |  |  |  | DWG NO.: V42254-A6000-G***-*-27                   |  | SHT. 5+ |  |
| REV. D SEE SHEET 1<br>CHANGE ORDER   |  |  |  | customer drawing number: C 1393738-1              |  |         |  |
| DATE   |  |  |  | APP.  |  |         |  |
|  |  |  |  | OF 6  |  |         |  |

PROPRIETARY: THIS INFORMATION IS CONFIDENTIAL AND PROPRIETARY TO TYCO ELECTRONICS CORPORATION AND ITS WORLDWIDE SUBSIDIARIES AND AFFILIATES. IT MAY NOT BE DISCLOSED TO ANYONE, OTHER THAN TYCO ELECTRONICS PERSONNEL, WITHOUT WRITTEN AUTHORIZATION FROM TYCO ELECTRONICS CORPORATION, HARRISBURG PENNSYLVANIA USA



|    |      | Technical Data              |                      |
|----|------|-----------------------------|----------------------|
|    |      | bushing inner diameter ±0.2 | cable outer diameter |
| 00 | 1)2) | /                           | /                    |
| 05 | 3)   | 5                           | 4.2 to 4.9           |
| 06 | 3)   | 6                           | 5.0 to 5.9           |
| 07 | 3)   | 7                           | 6.0 to 6.9           |
| 08 | 3)   | 8                           | 7.0 to 7.9           |
| 09 | 3)   | 9                           | 8.0 to 8.9           |
| 10 | 2)   | 10                          | 9.0 to 9.9           |
| 11 | 2)   | 11                          | 10.0 to 10.9         |
| 12 | 4)   | 12                          | 11.0 to 11.9         |
| 13 | 4)   | 13                          | 12.0 to 12.9         |
| 14 | 4)   | 14                          | 13.0 to 13.9         |
| 15 | 4)   | 15                          | 14.0 to 14.9         |

|     | contacts | colour |
|-----|----------|--------|
| 1   | 9 to 37  | grey   |
| 50  | 50       | grey   |
| 100 | 9 to 37  | black  |
| 150 | 50       | black  |

Active part numbers. Contact Tyco Electronics for other configuration availability

| Old Part Number   | TE Part Number |          |
|-------------------|----------------|----------|
| V42254-A6200-L 1  | 4-1393561-5    | OBSOLETE |
| V42254-A6200-L 50 | 4-1393561-6    |          |
| V42254-A6200-L100 | 5-1393502-1    | OBSOLETE |
| V42254-A6200-L150 | 5-1393502-2    | OBSOLETE |
| V42254-A6205-L 1  | 4-1393561-7    |          |
| V42254-A6205-L100 | 4-1393561-8    |          |
| V42254-A6206-L 1  | 4-1393561-9    |          |
| V42254-A6206-L100 | 5-1393561-0    |          |
| V42254-A6207-L 1  | 5-1393561-1    |          |
| V42254-A6207-L100 | 5-1393561-4    | OBSOLETE |
| V42254-A6208-L 1  | 5-1393561-5    |          |
| V42254-A6208-L100 | 5-1393561-6    | OBSOLETE |
| V42254-A6209-L 1  | 5-1393561-7    |          |
| V42254-A6209-L100 | 5-1393561-8    |          |
| V42254-A6210-L 1  | 5-1393561-9    |          |
| V42254-A6210-L 50 | 6-1393561-0    | OBSOLETE |
| V42254-A6210-L100 | 6-1393561-1    | OBSOLETE |
| V42254-A6210-L150 | 5-1393502-3    | OBSOLETE |
| V42254-A6211-L 1  | 6-1393561-2    |          |
| V42254-A6211-L 50 | 6-1393561-3    | OBSOLETE |
| V42254-A6211-L100 | 5-1393502-4    | OBSOLETE |
| V42254-A6211-L150 | 5-1393502-5    | OBSOLETE |
| V42254-A6212-L 50 | 6-1393561-4    | OBSOLETE |
| V42254-A6212-L150 | 5-1393502-6    | OBSOLETE |
| V42254-A6213-L 50 | 6-1393561-5    | OBSOLETE |
| V42254-A6213-L150 | 5-1393502-7    | OBSOLETE |
| V42254-A6214-L 50 | 6-1393561-6    | OBSOLETE |
| V42254-A6214-L150 | 5-1393502-8    | OBSOLETE |
| V42254-A6215-L 50 | 8-1393501-5    | OBSOLETE |
| V42254-A6215-L150 | 6-1393561-7    | OBSOLETE |

- 4) only for 50 contacts
- 3) only for 9 to 37 contacts
- 2) for 9 to 50 contacts
- 1) Blank bushing

|  |  |  |  |  |  |         |  |
|--|--|--|--|--|--|---------|--|
| APPLICABLE SPEC.   |  |  |  | FINISH   |  |         |  |
|  |  |  |  | DIMENSIONS APPLY                               |  | PLATING |  |
|  |  |  |  | SCALE  |  | WEIGHT  |  |
|  |  |  |  | MATERIAL                                       |  |         |  |
| DATE: 30.08.88<br>NAME: De Petter<br>DEP.: PD Com P&SE<br>EC |  |  |  | NAME: D-Sub Housing                            |  |         |  |
| TOLERANCE UNLESS SPECIFIED OTHERWISE                         |  |  |  | accessories: cable bushings                    |  |         |  |
| D SEE SHEET 1  |  |  |  | DWG NO. V42254-A6000-G***-*-27                 |  |         |  |
| REV. CHANGE ORDER  |  |  |  | DATE APP. customer drawing number: C 1393738-1 |  |         |  |
|  |  |  |  | SHT. 6 OF 6                                    |  |         |  |

Компания «Океан Электроники» предлагает заключение долгосрочных отношений при поставках импортных электронных компонентов на взаимовыгодных условиях!

Наши преимущества:

- Поставка оригинальных импортных электронных компонентов напрямую с производств Америки, Европы и Азии, а так же с крупнейших складов мира;
- Широкая линейка поставок активных и пассивных импортных электронных компонентов (более 30 млн. наименований);
- Поставка сложных, дефицитных, либо снятых с производства позиций;
- Оперативные сроки поставки под заказ (от 5 рабочих дней);
- Экспресс доставка в любую точку России;
- Помощь Конструкторского Отдела и консультации квалифицированных инженеров;
- Техническая поддержка проекта, помощь в подборе аналогов, поставка прототипов;
- Поставка электронных компонентов под контролем ВП;
- Система менеджмента качества сертифицирована по Международному стандарту ISO 9001;
- При необходимости вся продукция военного и аэрокосмического назначения проходит испытания и сертификацию в лаборатории (по согласованию с заказчиком);
- Поставка специализированных компонентов военного и аэрокосмического уровня качества (Xilinx, Altera, Analog Devices, Intersil, Interpoint, Microsemi, Actel, Aeroflex, Peregrine, VPT, Syfer, Eurofarad, Texas Instruments, MS Kennedy, Miteq, Cobham, E2V, MA-COM, Hittite, Mini-Circuits, General Dynamics и др.);

Компания «Океан Электроники» является официальным дистрибьютором и эксклюзивным представителем в России одного из крупнейших производителей разъемов военного и аэрокосмического назначения «JONHON», а так же официальным дистрибьютором и эксклюзивным представителем в России производителя высокотехнологичных и надежных решений для передачи СВЧ сигналов «FORSTAR».



## JONHON

«JONHON» (основан в 1970 г.)

Разъемы специального, военного и аэрокосмического назначения:

(Применяются в военной, авиационной, аэрокосмической, морской, железнодорожной, горно- и нефтедобывающей отраслях промышленности)

«FORSTAR» (основан в 1998 г.)

ВЧ соединители, коаксиальные кабели,  
кабельные сборки и микроволновые компоненты:

(Применяются в телекоммуникациях гражданского и специального назначения, в средствах связи, РЛС, а так же военной, авиационной и аэрокосмической отраслях промышленности).



Телефон: 8 (812) 309-75-97 (многоканальный)

Факс: 8 (812) 320-03-32

Электронная почта: [ocean@oceanchips.ru](mailto:ocean@oceanchips.ru)

Web: <http://oceanchips.ru/>

Адрес: 198099, г. Санкт-Петербург, ул. Калинина, д. 2, корп. 4, лит. А