

## General Description

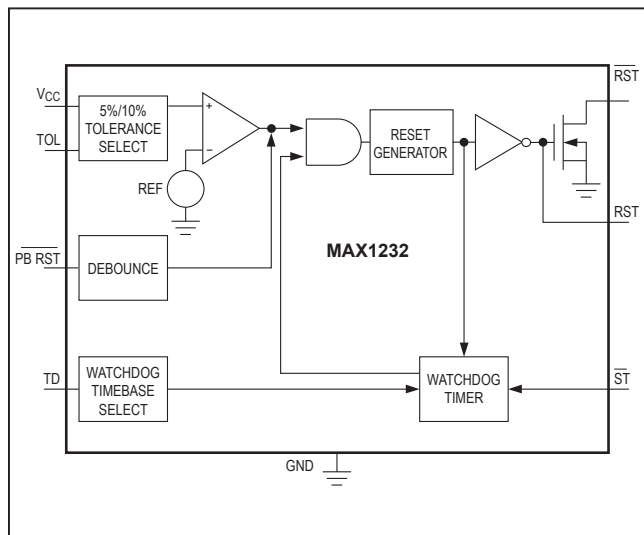
The MAX1232 microprocessor ( $\mu$ P) supervisory circuit provides  $\mu$ P housekeeping and power-supply supervision functions while consuming only 1/10th the power of the DS1232. The MAX1232 enhances circuit reliability in  $\mu$ P systems by monitoring the power supply, monitoring the software execution, and providing a debounced manual reset input. The MAX1232 is a plug-in upgrade of the Dallas DS1232.

A reset pulse of at least 250ms duration is supplied on power-up, power-down, and low-voltage brownout conditions (5% or 10% supply tolerances can be selected digitally). Also featured is a debounced manual reset input that forces the reset outputs to their active states for a minimum of 250ms. A digitally programmable watchdog timer monitors software execution and can be programmed for timeout settings of 150ms, 600ms, or 1.2s. The MAX1232 requires no external components.

## Applications

- Computers
- Controllers
- Intelligent Instruments
- Critical  $\mu$ P Power Monitoring

## Typical Operating Circuit



## Features

- Consumes 1/10th the Power of the DS1232
- Precision Voltage Monitor—Adjustable +4.5V or +4.75V
- Power-OK/Reset Pulse Width—250ms Min
- No External Components
- Adjustable Watchdog Timer—150ms, 600ms, or 1.2s
- Debounced Manual Reset Input for External Override
- Available in 8-Pin PDIP/SO and 16-Pin Wide SO Packages

## Ordering Information

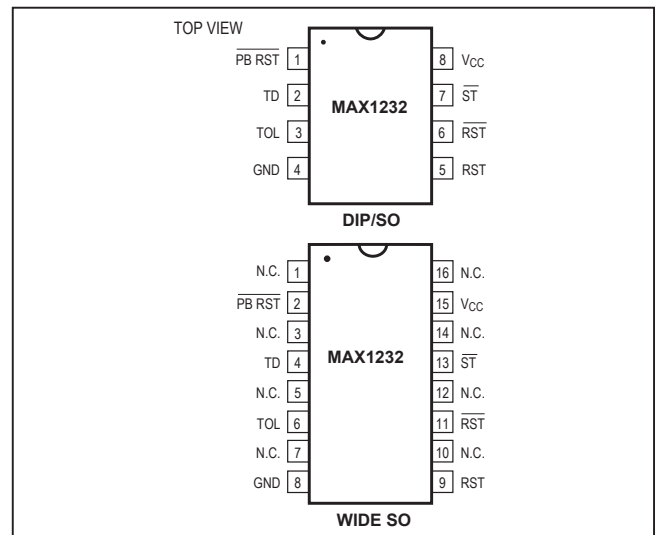
PART	TEMP RANGE	PIN-PACKAGE
MAX1232C/D	0°C to +70°C	Dice*
MAX1232CPA	0°C to +70°C	8 PDIP
MAX1232CSA	0°C to +70°C	8 SO

Ordering information continued at end of data sheet.

\*Contact factory for dice specifications.

**Note:** Devices in PDIP and SO packages are available in both leaded(Pb) and lead(Pb)-free packaging. Specify lead(Pb)-free by adding the "+" symbol at the end of the part number when ordering. Lead-free not available for CERDIP package.

## Pin Configurations



### Absolute Maximum Ratings

Voltage Range on Any Pin (with respect to GND) .....-1V to +7V  
 Operating Temperature Range  
   C Suffix .....0°C to +70°C  
   E Suffix .....-40°C to +85°C  
   M Suffix.....-55°C to +125°C

Storage Temperature Range ..... -65°C to +160°C  
 Lead Temperature (soldering, 10s) ..... +300°C

*Stresses beyond those listed under "Absolute Maximum Ratings" may cause permanent damage to the device. These are stress ratings only, and functional operation of the device at these or any other conditions beyond those indicated in the operational sections of the specifications is not implied. Exposure to absolute maximum rating conditions for extended periods may affect device reliability.*

### Recommended DC Operating Conditions

(T<sub>A</sub> = T<sub>MIN</sub> to T<sub>MAX</sub>, unless otherwise noted.)

PARAMETER	SYMBOL	CONDITIONS	MIN	TYP	MAX	UNITS
Supply Voltage	V <sub>CC</sub>		4.5	5.0	5.5	V
$\overline{ST}$ and $\overline{PBRST}$ Input High Level (Note 1)	V <sub>IH</sub>		2.0	V <sub>CC</sub> + 0.3		V
$\overline{ST}$ and $\overline{PBRST}$ Input Low Level	V <sub>IL</sub>		-0.3		+0.8	V

### DC Electrical Characteristics

(V<sub>CC</sub> = +4.5V to +5.5V, T<sub>A</sub> = T<sub>MIN</sub> to T<sub>MAX</sub>, unless otherwise noted.)

PARAMETER	SYMBOL	CONDITIONS	MIN	TYP	MAX	UNITS
Input Leakage $\overline{ST}$ , TOL	I <sub>IL</sub>		-1.0		+1.0	μA
Output Current RST	I <sub>OH</sub>	V <sub>OH</sub> = 2.4V	-1.0	-12		mA
Output Current RST, $\overline{RST}$	I <sub>OL</sub>	V <sub>OL</sub> = 0.4V	2.0	10		mA
Operating Current (Note 2)	I <sub>CC</sub>			50	200	μA
V <sub>CC</sub> 5% Trip Point (Note 3)	V <sub>CCTP</sub>	TOL = GND	4.50	4.62	4.74	V
V <sub>CC</sub> 10% Trip Point (Note 3)	V <sub>CCTP</sub>	TOL = V <sub>CC</sub>	4.25	4.37	4.49	V

### Capacitance (Note 4)

(T<sub>A</sub> = +25°C, unless otherwise noted.)

PARAMETER	SYMBOL	CONDITIONS	MIN	TYP	MAX	UNITS
Input Capacitance $\overline{ST}$ , TOL	C <sub>IN</sub>				5	pF
Output Capacitance RST, $\overline{RST}$	C <sub>OUT</sub>				7	pF

## AC Electrical Characteristics

( $V_{CC} = +5V \pm 10\%$ ,  $T_A = T_{MIN}$  to  $T_{MAX}$ , unless otherwise noted.)

PARAMETER	SYMBOL	CONDITIONS	MIN	TYP	MAX	UNITS
$\overline{PBRST}$ (Note 5)	$t_{PB}$	Figure 3	20			ms
$\overline{PBRST}$ Delay	$t_{PBD}$	Figure 3	1	4	20	ms
Reset Active Time	$t_{RST}$		250	610	1000	ms
$\overline{ST}$ Pulse Width	$t_{ST}$	Figure 4	75			ns
$\overline{ST}$ Timeout Period	$t_{TD}$	Figure 4, TD pin = 0V	62.5	150	250	ms
		TD pin = open	250	600	1000	
		TD pin = $V_{CC}$	500	1200	2000	
$V_{CC}$ Fall Time (Note 4)	$t_F$	Figure 5	10			$\mu s$
$V_{CC}$ Rise Time (Note 4)	$t_B$	Figure 6	0			$\mu s$
$V_{CC}$ Detect to RST High and RST Low	$t_{BPD}$	Figure 7, $V_{CC}$ falling			100	ns
$V_{CC}$ Detect to RST Low and $\overline{RST}$ Open (Note 6)	$t_{BPU}$	Figure 8, $V_{CC}$ rising	250	610	1000	ms

**Note 1:**  $\overline{PBRST}$  is internally pulled up to  $V_{CC}$  with an internal impedance of typically 40k $\Omega$ .

**Note 2:** Measured with outputs open.

**Note 3:** All voltages referenced to GND.

**Note 4:** Guaranteed by design.

**Note 5:**  $\overline{PBRST}$  must be held low for a minimum of 20ms to guarantee a reset.

**Note 6:**  $t_R = 5\mu s$ .

## Pin Description

PIN		NAME	FUNCTION
WIDE SO	DIP/SO		
1, 3, 5, 7, 10, 12, 14, 16	—	N.C.	No Connection
2	1	$\overline{PBRST}$	Pushbutton Reset Input. A debounced active-low input that ignores pulses less than 1ms in duration and is guaranteed to recognize inputs of 20ms or greater.
4	2	TD	Time Delay Set. The watchdog timebase select input ( $t_{TD} = 150ms$ for TD = 0V, $t_{TD} = 600ms$ for TD = open, $t_{TD} = 1.2s$ for TD = $V_{CC}$ ).
6	3	TOL	Tolerance Input. Connect to GND for 5% tolerance or to $V_{CC}$ for 10% tolerance.
8	4	GND	Ground
9	5	RST	Reset Output (Active High). Goes active: (1) If $V_{CC}$ falls below the selected reset voltage threshold. (2) If $\overline{PBRST}$ is forced low. (3) If $\overline{ST}$ is not strobed within the minimum timeout period. (4) During power-up.
11	6	$\overline{RST}$	Reset Output (Active Low, Open Drain). See RST.
13	7	$\overline{ST}$	Strobe Input. Input for watchdog timer.
15	8	$V_{CC}$	+5V Power-Supply Input

## Detailed Description

### Power Monitor

A voltage detector monitors  $V_{CC}$  and holds the reset outputs (RST and  $\overline{RST}$ ) in their active states whenever  $V_{CC}$  is below the selected 5% or 10% tolerance (4.62V or 4.37V, typically). To select the 5% level, connect TOL to ground. To select the 10% level, connect TOL to  $V_{CC}$ . The reset outputs will remain in their active states until  $V_{CC}$  has been continuously in-tolerance for a minimum of 250ms (the reset active time) to allow the power supply and  $\mu P$  to stabilize.

The RST output both sinks and sources current, while the  $\overline{RST}$  output, an open-drain MOSFET, sinks current only and must be pulled high.

### Pushbutton Reset Input

The MAX1232's debounced manual reset input ( $\overline{PBRST}$ ) manually forces the reset outputs into their active states. The reset outputs go active after  $\overline{PBRST}$  has been held low for a time  $t_{PBD}$ , the pushbutton reset delay time. The reset outputs remain in their active states for a minimum of 250ms after  $\overline{PBRST}$  rises above  $V_{IH}$  (Figure 3).

A mechanical pushbutton or an active logic signal can drive the  $\overline{PBRST}$  input. The debounced input ignores input pulses less than 1ms and is guaranteed to recognize pulses of 20ms or greater. The  $\overline{PBRST}$  input has an internal pullup to  $V_{CC}$  of about 100 $\mu A$ ; therefore, an external pullup resistor is not necessary.

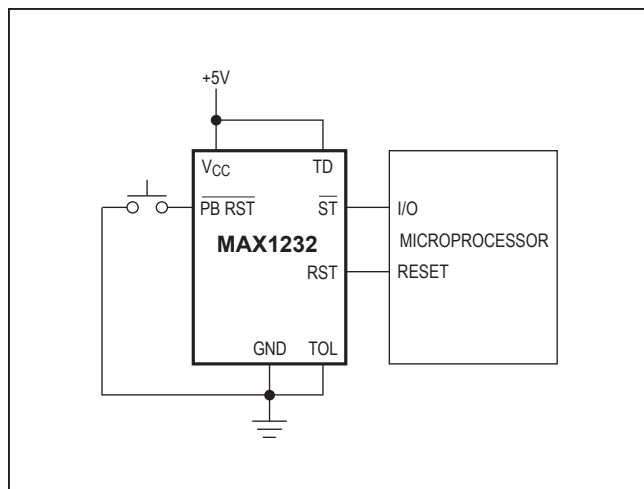


Figure 1. Pushbutton Reset

### Watchdog Timer

The microprocessor drives the  $\overline{ST}$  input with an input/output (I/O) line. The microprocessor must toggle the  $\overline{ST}$  input within a set period (as determined by TD) to verify proper software execution. If a hardware or software failure keeps  $\overline{ST}$  from toggling within the minimum timeout period— $\overline{ST}$  is activated only by falling edges (a high-to-low transition)—the MAX1232 reset outputs are forced to their active states for 250ms (Figure 2). This typically initiates the microprocessor's power-up routine. If the interruption continues, new reset pulses are generated each timeout period until  $\overline{ST}$  is strobed. The timeout period is determined by the TD input connection. This timeout period is typically 150ms with TD connected to GND, 600ms with TD floating, or 1200ms with TD connected to  $V_{CC}$ .

The software routine that strobes  $\overline{ST}$  is critical. The code must be in a section of software that executes frequently enough so the time between toggles is less than the watchdog timeout period. One common technique controls the microprocessor I/O line from two sections of the program. The software might set the I/O line high while operating in the foreground mode, and set it low while in the background or interrupt mode. If both modes do not execute correctly, the watchdog timer issues reset pulses.

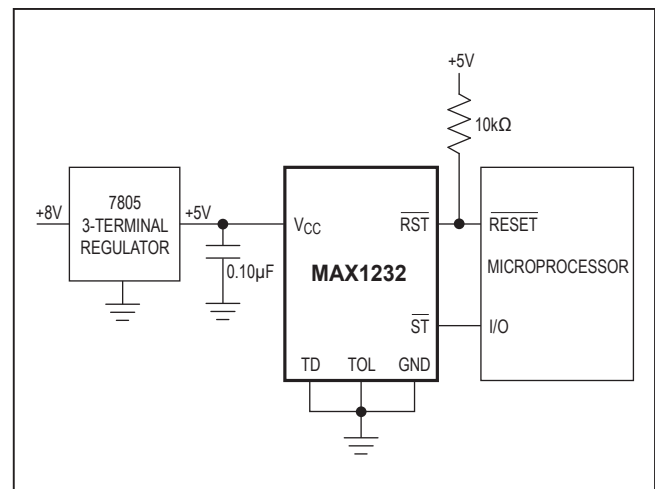


Figure 2. Watchdog Timer

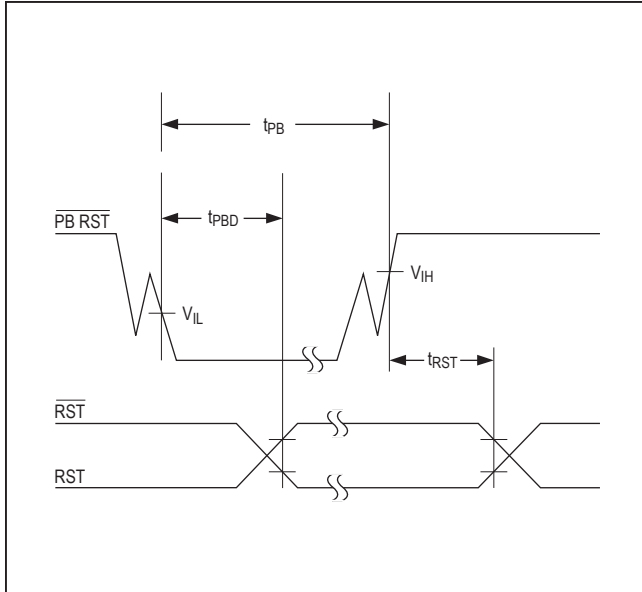


Figure 3. Pushbutton Reset. The debounced PBRST input ignores input pulses less than 1ms and is guaranteed to recognize pulses of 20ms or greater.

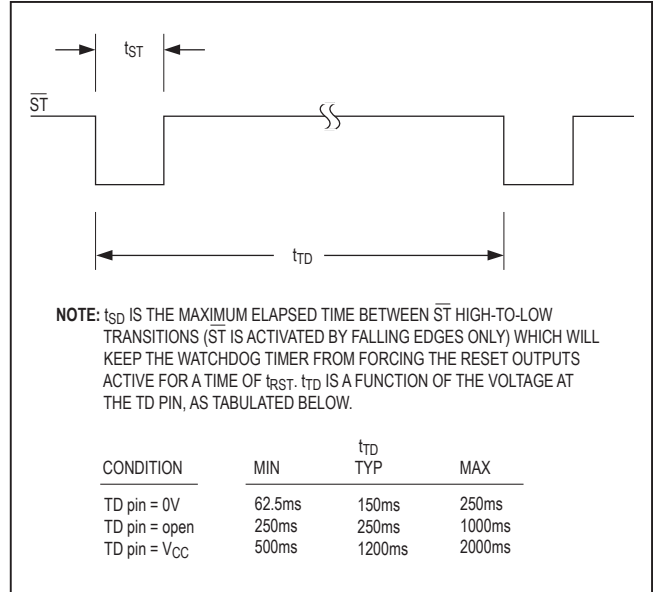


Figure 4. Watchdog Strobe Input

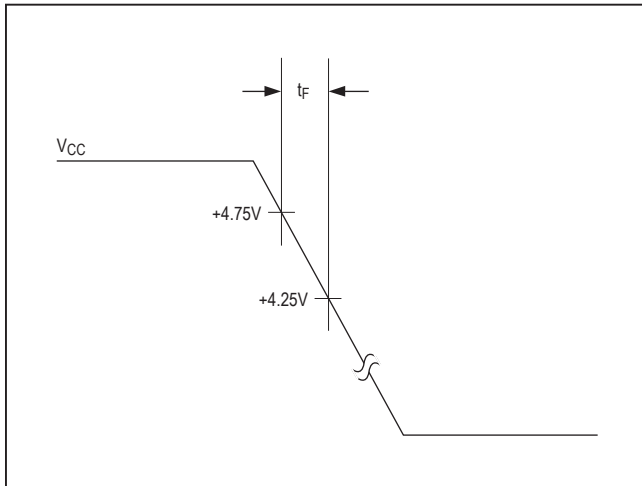


Figure 5. Power-Down Slew Rate

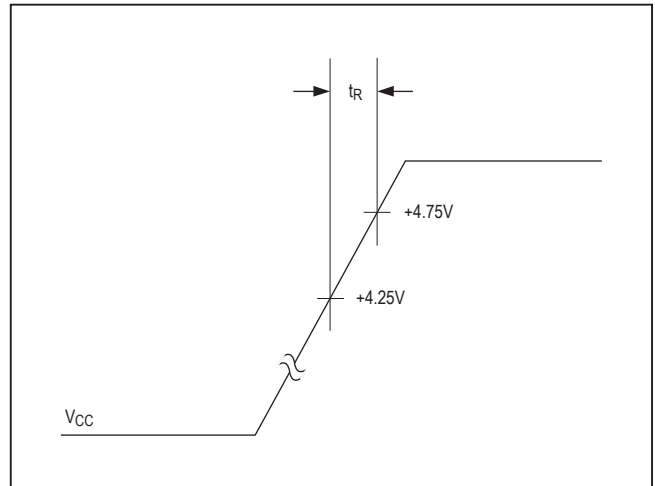


Figure 6. Power-Up Slew Rate

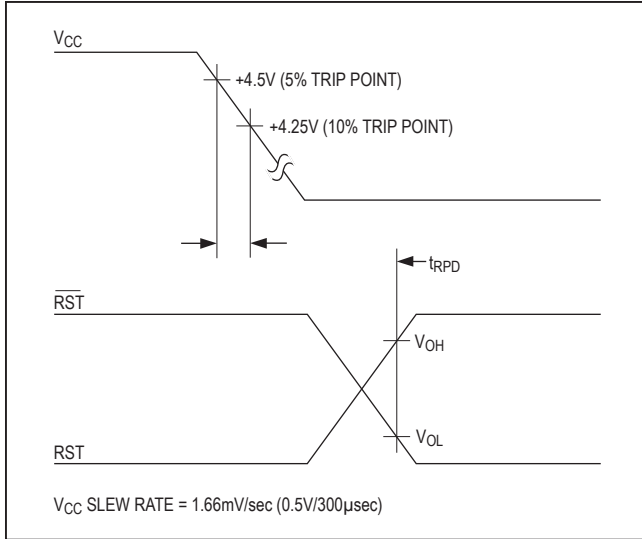


Figure 7. VCC Detect Reset Output Delay (Power-Down)

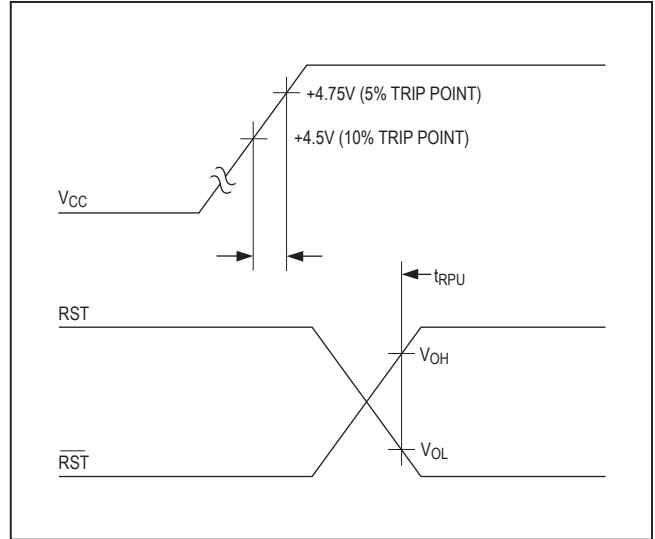
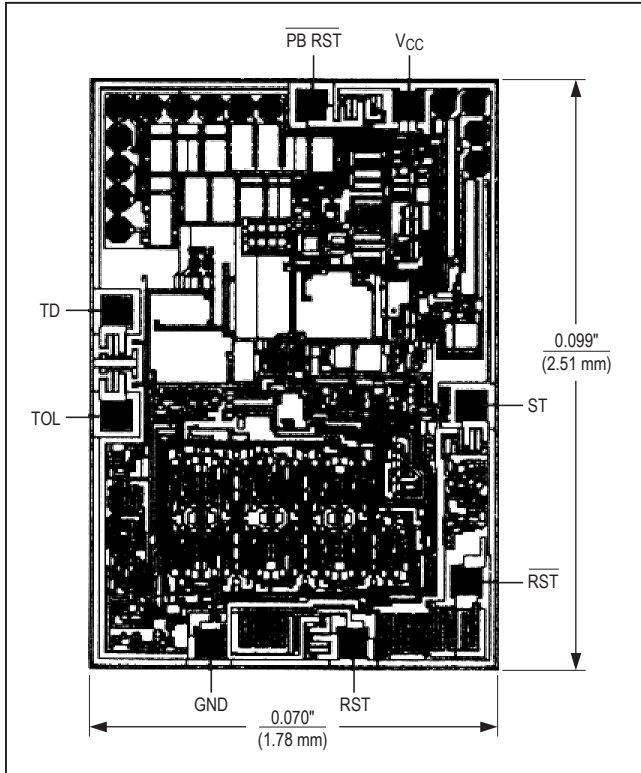


Figure 8. VCC Detect Reset Output Delay (Power-Up)

### Chip Topography



### Ordering Information

PART	TEMP RANGE	PIN-PACKAGE
MAX1232CWE	0°C to +70°C	16 Wide SO
MAX1232EPA	-40°C to +85°C	8 PDIP
MAX1232ESA	-40°C to +85°C	8 SO
MAX1232EWE	-40°C to +85°C	16 Wide SO
MAX1232MJA	-55°C to +125°C	8 CERDIP

\*Contact factory for dice specifications.

**Note:** Devices in PDIP and SO packages are available in both leaded(Pb) and lead(Pb)-free packaging. Specify lead(Pb)-free by adding the "+" symbol at the end of the part number when ordering. Lead-free not available for CERDIP package.

### Package Information

For the latest package outline information and land patterns (footprints), go to [www.maximintegrated.com/packages](http://www.maximintegrated.com/packages). Note that a "+", "#", or "-" in the package code indicates RoHS status only. Package drawings may show a different suffix character, but the drawing pertains to the package regardless of RoHS status.

PACKAGE TYPE	PACKAGE CODE	OUTLINE NO.	LAND PATTERN NO.
8 CERDIP	J8-2	<a href="#">21-0045</a>	—
8 PDIP	P8+2	<a href="#">21-0043</a>	—
8 SO	S8+4	<a href="#">21-0041</a>	<a href="#">90-0096</a>
16 Wide SO	W16+1	<a href="#">21-0042</a>	<a href="#">90-0107</a>

## Revision History

REVISION NUMBER	REVISION DATE	DESCRIPTION	PAGES CHANGED
1	11/05	Added lead-free information to the <i>Ordering Information</i> table	1, 6
2	9/14	Removed reference to automotive systems in the <i>Applications</i>	1

For pricing, delivery, and ordering information, please contact Maxim Direct at 1-888-629-4642, or visit Maxim Integrated's website at [www.maximintegrated.com](http://www.maximintegrated.com).

Maxim Integrated cannot assume responsibility for use of any circuitry other than circuitry entirely embodied in a Maxim Integrated product. No circuit patent licenses are implied. Maxim Integrated reserves the right to change the circuitry and specifications without notice at any time. The parametric values (min and max limits) shown in the Electrical Characteristics table are guaranteed. Other parametric values quoted in this data sheet are provided for guidance.



Компания «Океан Электроники» предлагает заключение долгосрочных отношений при поставках импортных электронных компонентов на взаимовыгодных условиях!

Наши преимущества:

- Поставка оригинальных импортных электронных компонентов напрямую с производств Америки, Европы и Азии, а так же с крупнейших складов мира;
- Широкая линейка поставок активных и пассивных импортных электронных компонентов (более 30 млн. наименований);
- Поставка сложных, дефицитных, либо снятых с производства позиций;
- Оперативные сроки поставки под заказ (от 5 рабочих дней);
- Экспресс доставка в любую точку России;
- Помощь Конструкторского Отдела и консультации квалифицированных инженеров;
- Техническая поддержка проекта, помощь в подборе аналогов, поставка прототипов;
- Поставка электронных компонентов под контролем ВП;
- Система менеджмента качества сертифицирована по Международному стандарту ISO 9001;
- При необходимости вся продукция военного и аэрокосмического назначения проходит испытания и сертификацию в лаборатории (по согласованию с заказчиком);
- Поставка специализированных компонентов военного и аэрокосмического уровня качества (Xilinx, Altera, Analog Devices, Intersil, Interpoint, Microsemi, Actel, Aeroflex, Peregrine, VPT, Syfer, Eurofarad, Texas Instruments, MS Kennedy, Miteq, Cobham, E2V, MA-COM, Hittite, Mini-Circuits, General Dynamics и др.);

Компания «Океан Электроники» является официальным дистрибьютором и эксклюзивным представителем в России одного из крупнейших производителей разъемов военного и аэрокосмического назначения «JONHON», а так же официальным дистрибьютором и эксклюзивным представителем в России производителя высокотехнологичных и надежных решений для передачи СВЧ сигналов «FORSTAR».



## JONHON

«JONHON» (основан в 1970 г.)

Разъемы специального, военного и аэрокосмического назначения:

(Применяются в военной, авиационной, аэрокосмической, морской, железнодорожной, горно- и нефтедобывающей отраслях промышленности)

«FORSTAR» (основан в 1998 г.)

ВЧ соединители, коаксиальные кабели, кабельные сборки и микроволновые компоненты:

(Применяются в телекоммуникациях гражданского и специального назначения, в средствах связи, РЛС, а так же военной, авиационной и аэрокосмической отраслях промышленности).



Телефон: 8 (812) 309-75-97 (многоканальный)

Факс: 8 (812) 320-03-32

Электронная почта: [ocean@oceanchips.ru](mailto:ocean@oceanchips.ru)

Web: <http://oceanchips.ru/>

Адрес: 198099, г. Санкт-Петербург, ул. Калинина, д. 2, корп. 4, лит. А