



| PART NUMBER DATA | | | | | | | | | |
|------------------|-------|-------|-------|--------|--------|--------|------|-------|--|
| CIRCUITS | A IN | mm | B IN | mm | C IN | mm | D IN | mm | |
| 2 | 1.58 | 40.2 | .375 | 9.52 | 1.125 | 28.58 | .83 | 21.1 | |
| 3 | 1.96 | 49.7 | .750 | 19.05 | 1.500 | 38.10 | 1.21 | 30.7 | |
| 4 | 2.33 | 59.2 | 1.125 | 28.58 | 1.875 | 47.63 | 1.58 | 40.2 | |
| 5 | 2.71 | 68.7 | 1.500 | 38.10 | 2.250 | 57.15 | 1.96 | 49.7 | |
| 6 | 3.08 | 78.3 | 1.875 | 47.63 | 2.625 | 66.68 | 2.33 | 59.2 | |
| 7 | 3.46 | 87.8 | 2.250 | 57.15 | 3.000 | 76.20 | 2.71 | 68.8 | |
| 8 | 3.83 | 97.3 | 2.625 | 66.68 | 3.375 | 85.73 | 3.08 | 78.3 | |
| 9 | 4.21 | 106.8 | 3.000 | 76.20 | 3.750 | 95.25 | 3.46 | 87.8 | |
| 10 | 4.58 | 116.4 | 3.375 | 85.73 | 4.125 | 104.78 | 3.83 | 97.3 | |
| 11 | 4.96 | 125.9 | 3.750 | 95.25 | 4.500 | 114.30 | 4.21 | 106.9 | |
| 12 | 5.33 | 135.4 | 4.125 | 104.78 | 4.875 | 123.83 | 4.58 | 116.4 | |
| 13 | 5.71 | 144.9 | 4.500 | 114.30 | 5.250 | 133.35 | 4.96 | 125.9 | |
| 14 | 6.08 | 154.5 | 4.875 | 123.83 | 5.625 | 142.88 | 5.33 | 135.4 | |
| 15 | 6.46 | 164.0 | 5.250 | 133.35 | 6.000 | 152.40 | 5.71 | 145.0 | |
| 16 | 6.83 | 173.5 | 5.625 | 142.88 | 6.375 | 161.93 | 6.08 | 154.5 | |
| 17 | 7.21 | 183.0 | 6.000 | 152.40 | 6.750 | 171.45 | 6.46 | 164.0 | |
| 18 | 7.58 | 192.6 | 6.375 | 161.93 | 7.125 | 180.98 | 6.83 | 173.5 | |
| 19 | 7.96 | 202.1 | 6.750 | 171.45 | 7.500 | 190.50 | 7.21 | 183.1 | |
| 20 | 8.33 | 211.6 | 7.125 | 180.98 | 7.875 | 200.03 | 7.58 | 192.6 | |
| 21 | 8.71 | 221.1 | 7.500 | 190.50 | 8.250 | 209.55 | 7.96 | 202.1 | |
| 22 | 9.08 | 230.7 | 7.875 | 200.03 | 8.625 | 219.08 | 8.33 | 211.6 | |
| 23 | 9.46 | 240.2 | 8.250 | 209.55 | 9.000 | 228.60 | 8.71 | 221.2 | |
| 24 | 9.83 | 249.7 | 8.625 | 219.08 | 9.375 | 238.13 | 9.08 | 230.7 | |
| 25 | 10.21 | 259.2 | 9.000 | 228.60 | 9.750 | 247.65 | 9.46 | 240.2 | |
| 26 | 10.58 | 268.8 | 9.375 | 238.13 | 10.125 | 257.18 | 9.83 | 249.7 | |

PART NUMBER LEGEND



- NOTES:
1. MATERIAL: SEE TABLE
 2. ASSEMBLY MUST MEET BEAU WORKMANSHIP STANDARD ES-19900-059
 3. PRODUCT SPECIFICATION: PS-38710-001
 4. SEE SAP BOM FOR COMPONENT PART NUMBERS
 5. "XX" REFERS TO THE QUANTITY OF CIRCUITS

| ITEM | QTY | DESCRIPTION | MATERIAL NO. | ENGINEERING NO. |
|------|-----|-------------------------------------|--------------|-----------------|
| 6 | XX | #6-32 PH/SLOTTED SCREW (OPTION -50) | 380010099 | 2504-9201-C220 |
| 5 | XX | #6-32 PH/SLOTTED SCREW (OPTION -49) | 380010058 | 1804-9101-A120 |
| 4 | XX | #6-32 PH/SLOTTED SCREW (STD) | 380010092 | 2504-9101-C220 |
| 3 | 2 | MOUNTING PLATE | 380021308 | 7204-7201-A120 |
| 2 | XX | TERMINAL | 380021279 | 7204-3411-A260 |
| 1 | 1 | BARRIER TERMINAL STRIP | 38728_____ | 7200-XX02-V000 |

RELEASED EC NO: IPG2015-0118
 DRWN: RSTONE 2014/07/18
 CHKD: BARDEN 2014/07/23
 APPR: JFMURPHY 2014/08/02

QUALITY SYMBOL
 ▽=0
 ▽=0

GENERAL TOLERANCES (UNLESS SPECIFIED)

| | mm | INCH |
|----------|-------|-------|
| 4 PLACES | ±--- | ±--- |
| 3 PLACES | ±--- | ±.005 |
| 2 PLACES | ±0.13 | ±.01 |
| 1 PLACE | ±0.3 | ±--- |

ANGULAR ±---°

DRAFT WHERE APPLICABLE MUST REMAIN WITHIN DIMENSIONS

DIMENSION STYLE IN/MM

SCALE ---

DESIGN UNITS INCH

THIRD ANGLE PROJECTION

DRAWN BY: RSTONE DATE: 2014/07/18

CHECKED BY: DATE: ---

APPROVED BY: JFMURPHY DATE: 2014/08/02

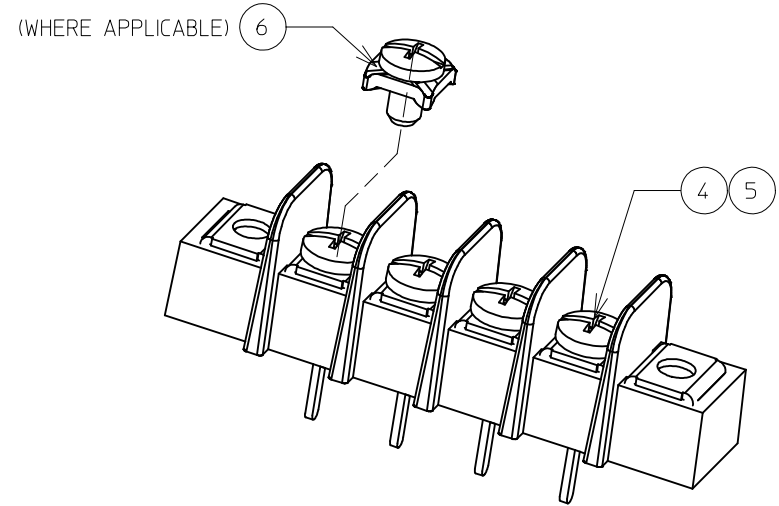
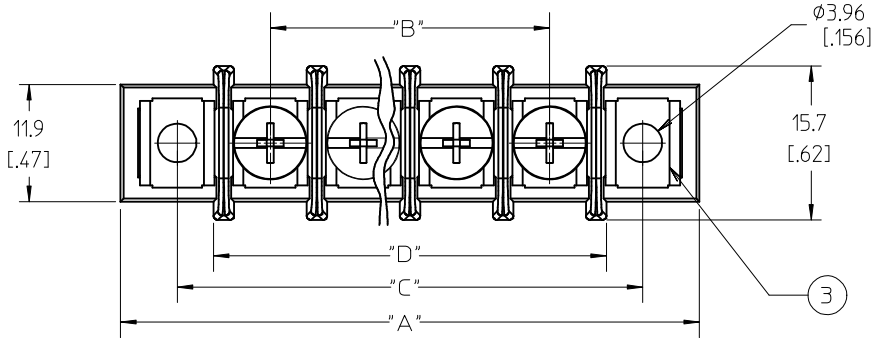
MATERIAL NO. SEE PART LEGEND

DOCUMENT NO. E-38721-010

SHEET NO. 1 OF 1

THIS DRAWING CONTAINS INFORMATION THAT IS PROPRIETARY TO MOLEX INCORPORATED AND SHOULD NOT BE USED WITHOUT WRITTEN PERMISSION

REF. THIS DRAWING SUPERSEDES E-78721-003 REV-B



NOTES:

1. MATERIAL: SEE TABLE
2. FINISHES: SEE TABLE
3. PRODUCT SPECIFICATION: NOT REQUIRED
4. PACKAGING: NOT REQUIRED
5. MATES WITH: NONE
6. *XX* REFERS TO THE QUANTITY OF CIRCUITS.
7. ALL COMPONENTS ARE ROHS COMPLIANT.

| ITEM | QTY | DESCRIPTION | MATERIAL | FINISH |
|------|-----|-------------------------------------|----------|--------------------|
| 6 | XX | #6-32 PH/SLOTTED SCREW (OPTION -50) | STEEL | ZN, CLEAR CHROMATE |
| 5 | XX | #6-32 PH/SLOTTED SCREW (OPTION -49) | BRASS | NICKEL PLATE |
| 4 | XX | #6-32 PH/SLOTTED SCREW (STD) | STEEL | ZN, CLEAR CHROMATE |
| 3 | 2 | MOUNTING PLATE | BRASS | NICKEL PLATE |
| 2 | XX | TERMINAL | BRASS | TIN PLATE |
| 1 | 1 | BARRIER TERMINAL STRIP | PBT | BLACK |

| | |
|--------------------------|---------------------|
| UPDATE TERM. HEIGHT DIM. | EC NO: WNA2009-0445 |
| DRWN: JENC INAS | 2009/07/01 |
| CHKD: CYORK | 2009/07/02 |
| APPR: JMACNE IL | 2009/07/02 |

| | |
|-----------------|------------|
| QUALITY SYMBOLS | $\nabla=0$ |
| | $\nabla=0$ |

| GENERAL TOLERANCES (UNLESS SPECIFIED) | |
|--|----------------------|
| | mm INCH |
| 4 PLACES | \pm --- \pm --- |
| 3 PLACES | \pm --- \pm .005 |
| 2 PLACES | \pm 0.13 \pm .01 |
| 1 PLACE | \pm 0.3 \pm --- |
| ANGULAR \pm 2 ° | |
| DRAFT WHERE APPLICABLE MUST REMAIN WITHIN DIMENSIONS | |

| DIMENSION STYLE | |
|-----------------|------------|
| MM/IN | |
| DRAWN BY | DATE |
| C. YORK | 2006/03/24 |
| CHECKED BY | DATE |
| RDEROSS | 2006/03/24 |
| APPROVED BY | DATE |
| RDEROSS | 2006/03/24 |
| MATERIAL NO. | |
| SEE CHART | |

| | | |
|---|--------------|------------------------|
| SCALE | DESIGN UNITS | THIRD ANGLE PROJECTION |
| 2:1 | INCH | |
| TITLE | | |
| SR BTS, WW, ASSY 9.53 MM [0.375] CENTERS | | |
| MATERIAL NO. | | |
| SEE CHART | | |
| DOCUMENT NO. | | |
| SD-38721-003 | | |
| SHEET NO. | | |
| 1 OF 2 | | |

| NUMBER OF CIRCUITS "XX" | DIM. "A" | | DIM. "B" | | DIM. "C" | | DIM. "D" | |
|-------------------------|----------|---------|----------|---------|----------|---------|----------|--------|
| 02 | 40.1 | [.58] | 9.53 | [.375] | 28.6 | [1.13] | 21.1 | [.83] |
| 03 | 49.7 | [1.96] | 19.05 | [.750] | 38.1 | [1.50] | 30.6 | [1.21] |
| 04 | 59.2 | [2.33] | 28.58 | [1.125] | 47.6 | [1.88] | 40.1 | [1.58] |
| 05 | 68.7 | [2.71] | 38.10 | [1.500] | 57.2 | [2.25] | 49.7 | [1.96] |
| 06 | 78.2 | [3.08] | 47.63 | [1.875] | 66.7 | [2.63] | 59.2 | [2.33] |
| 07 | 87.8 | [3.46] | 57.15 | [2.250] | 76.2 | [3.00] | 68.7 | [2.71] |
| 08 | 97.3 | [3.83] | 66.68 | [2.625] | 85.7 | [3.38] | 78.2 | [3.08] |
| 09 | 106.8 | [4.21] | 76.20 | [3.000] | 95.3 | [3.75] | 87.8 | [3.46] |
| 10 | 116.3 | [4.58] | 85.73 | [3.375] | 104.8 | [4.13] | 97.3 | [3.83] |
| 11 | 125.9 | [4.96] | 95.25 | [3.750] | 114.3 | [4.50] | 106.8 | [4.21] |
| 12 | 135.4 | [5.33] | 104.78 | [4.125] | 123.8 | [4.88] | 116.3 | [4.58] |
| 13 | 144.9 | [5.71] | 114.30 | [4.500] | 133.4 | [5.25] | 125.9 | [4.96] |
| 14 | 154.4 | [6.08] | 123.83 | [4.875] | 142.9 | [5.63] | 135.4 | [5.33] |
| 15 | 164.0 | [6.46] | 133.35 | [5.250] | 152.4 | [6.00] | 144.9 | [5.71] |
| 16 | 173.5 | [6.83] | 142.88 | [5.625] | 161.9 | [6.38] | 154.4 | [6.08] |
| 17 | 183.0 | [7.21] | 152.40 | [6.000] | 171.5 | [6.75] | 164.0 | [6.46] |
| 18 | 192.5 | [7.58] | 161.93 | [6.375] | 181.0 | [7.13] | 173.5 | [7.21] |
| 19 | 202.1 | [7.96] | 171.45 | [6.750] | 190.5 | [7.50] | 192.5 | [7.58] |
| 20 | 211.6 | [8.33] | 180.98 | [7.125] | 200.0 | [7.88] | 202.1 | [7.96] |
| 21 | 221.1 | [8.71] | 190.50 | [7.500] | 209.6 | [8.25] | 211.6 | [8.33] |
| 22 | 230.6 | [9.08] | 200.03 | [7.875] | 219.1 | [8.63] | 221.1 | [8.71] |
| 23 | 240.2 | [9.46] | 209.55 | [8.250] | 228.6 | [9.00] | 230.6 | [9.08] |
| 24 | 249.7 | [9.83] | 219.08 | [8.625] | 238.1 | [9.38] | 230.6 | [9.08] |
| 25 | 259.2 | [10.21] | 228.60 | [9.000] | 247.7 | [9.75] | 240.2 | [9.46] |
| 26 | 268.7 | [10.58] | 238.13 | [9.375] | 257.2 | [10.13] | 249.7 | [9.83] |

| MATERIAL NO. (OPTION -50) | MATERIAL NO. (OPTION -49) | MATERIAL NO. (STANDARD) | NUMBER OF CIRCUITS "XX" |
|---------------------------|---------------------------|-------------------------|-------------------------|
| 38721-3402 | 38721-2802 | 38721-2202 | 02 |
| 38721-3403 | 38721-2803 | 38721-2203 | 03 |
| 38721-3404 | 38721-2804 | 38721-2204 | 04 |
| 38721-3405 | 38721-2805 | 38721-2205 | 05 |
| 38721-3406 | 38721-2806 | 38721-2206 | 06 |
| 38721-3407 | 38721-2807 | 38721-2207 | 07 |
| 38721-3408 | 38721-2808 | 38721-2208 | 08 |
| 38721-3409 | 38721-2809 | 38721-2209 | 09 |
| 38721-3410 | 38721-2810 | 38721-2210 | 10 |
| 38721-3411 | 38721-2811 | 38721-2211 | 11 |
| 38721-3412 | 38721-2812 | 38721-2212 | 12 |
| 38721-3413 | 38721-2813 | 38721-2213 | 13 |
| 38721-3414 | 38721-2814 | 38721-2214 | 14 |
| 38721-3415 | 38721-2815 | 38721-2215 | 15 |
| 38721-3416 | 38721-2816 | 38721-2216 | 16 |
| 38721-3417 | 38721-2817 | 38721-2217 | 17 |
| 38721-3418 | 38721-2818 | 38721-2218 | 18 |
| 38721-3419 | 38721-2819 | 38721-2219 | 19 |
| 38721-3420 | 38721-2820 | 38721-2220 | 20 |
| 38721-3421 | 38721-2821 | 38721-2221 | 21 |
| 38721-3422 | 38721-2822 | 38721-2222 | 22 |
| 38721-3423 | 38721-2823 | 38721-2223 | 23 |
| 38721-3424 | 38721-2824 | 38721-2224 | 24 |
| 38721-3425 | 38721-2825 | 38721-2225 | 25 |
| 38721-3426 | 38721-2826 | 38721-2226 | 26 |

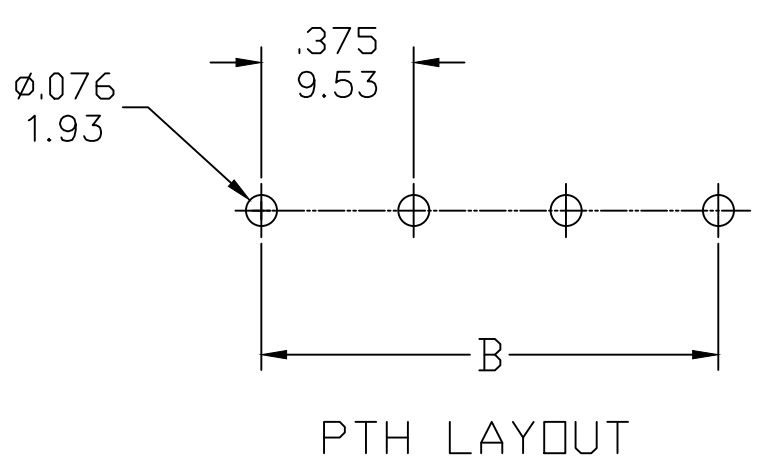
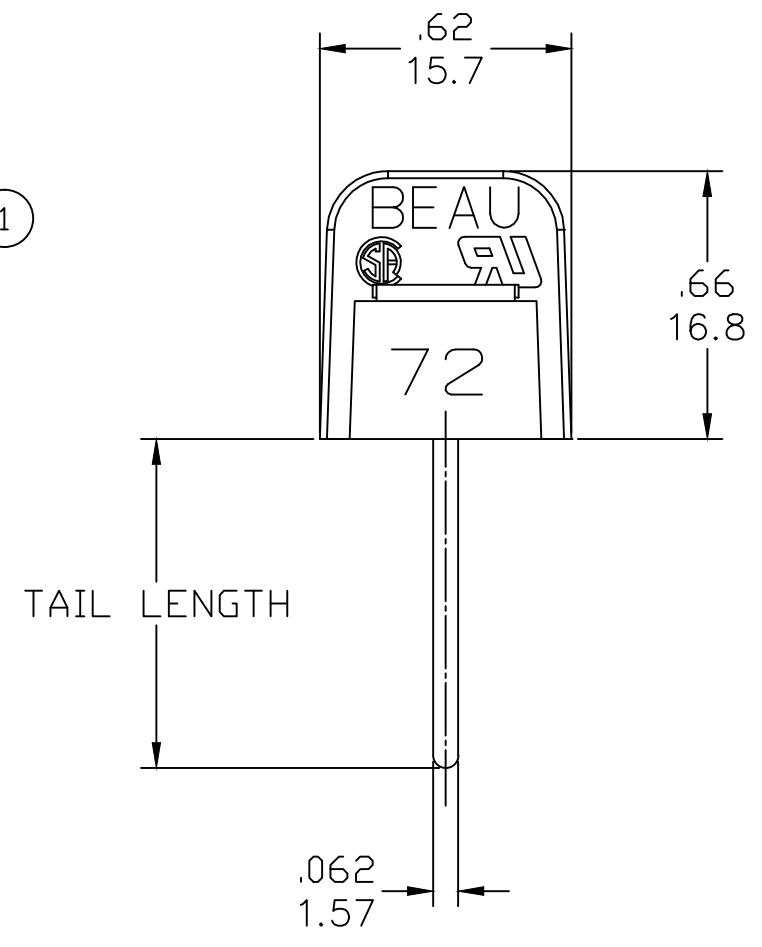
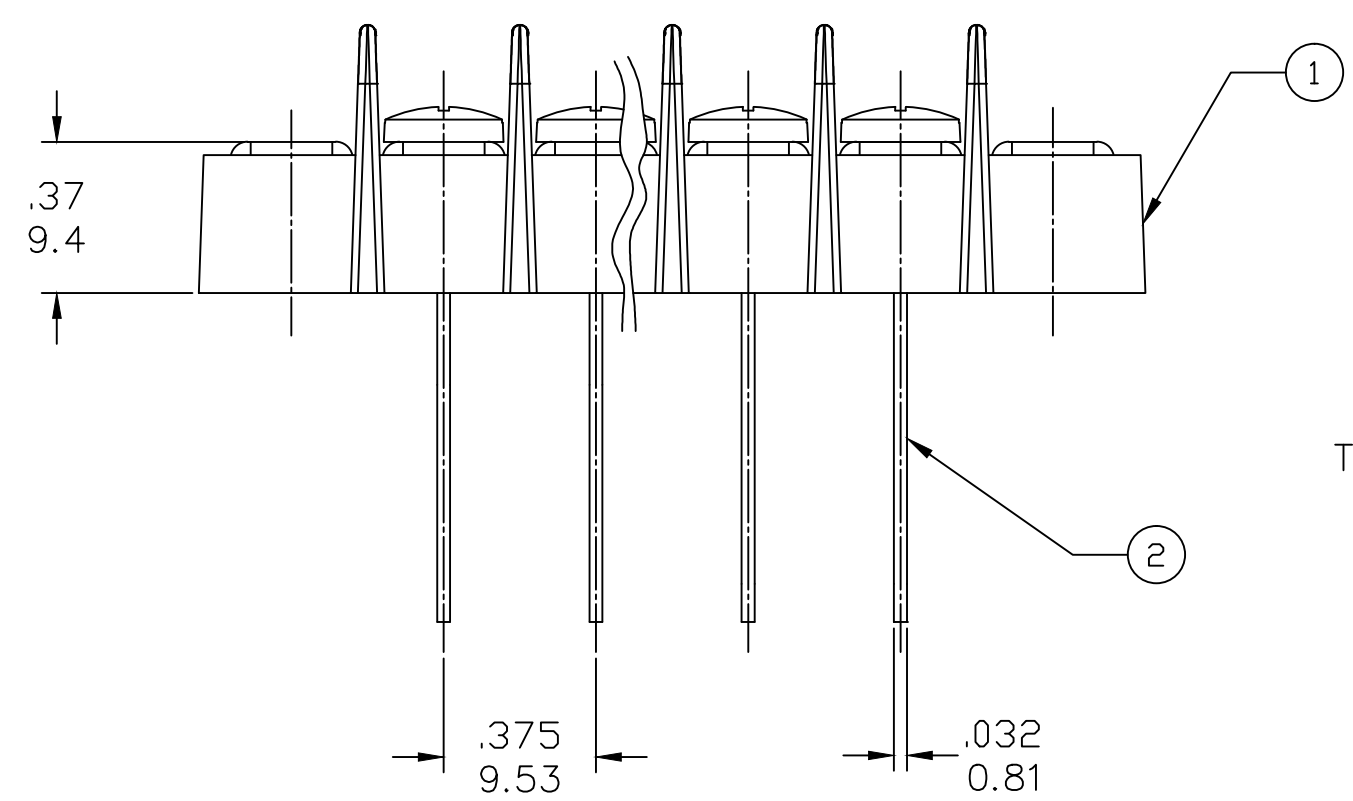
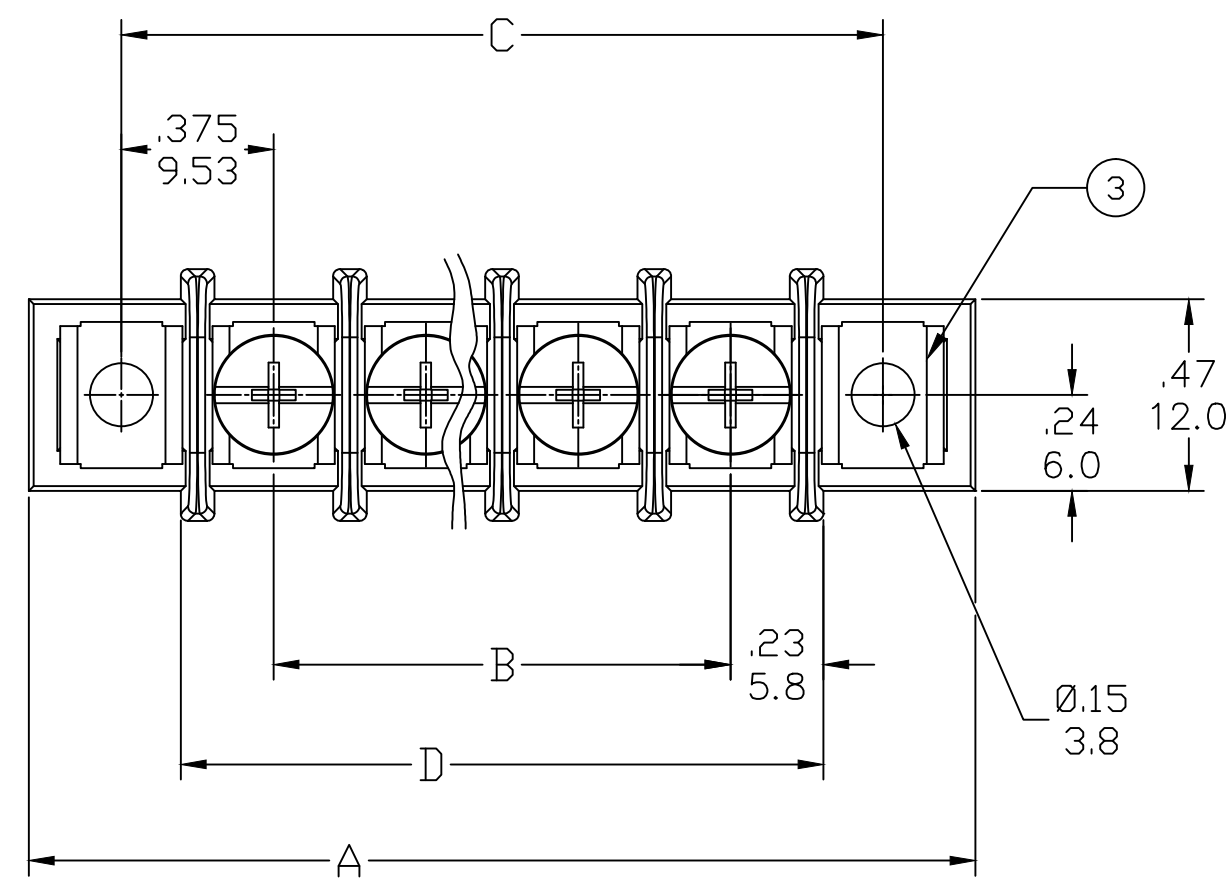
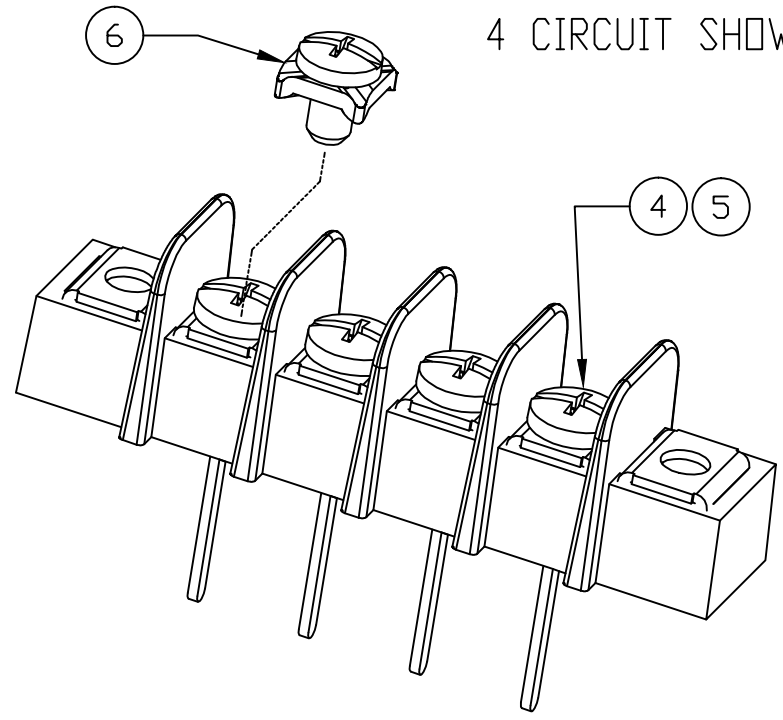


| SEE SHEET ONE EC NO: WNA2009-0445 DRWN: JENC INAS 2009/07/01 CHKD: CYORK 2009/07/02 APPR: JMACNE IL 2009/07/02 | QUALITY SYMBOLS ▽=0 ▽=0 | GENERAL TOLERANCES (UNLESS SPECIFIED) <table border="1"> <tr><th colspan="2">mm</th><th colspan="2">INCH</th></tr> <tr><td>4 PLACES</td><td>± ---</td><td>± ---</td><td></td></tr> <tr><td>3 PLACES</td><td>± ---</td><td>± .005</td><td></td></tr> <tr><td>2 PLACES</td><td>± 0.13</td><td>± .01</td><td></td></tr> <tr><td>1 PLACE</td><td>± 0.3</td><td>± ---</td><td></td></tr> </table> | mm | | INCH | | 4 PLACES | ± --- | ± --- | | 3 PLACES | ± --- | ± .005 | | 2 PLACES | ± 0.13 | ± .01 | | 1 PLACE | ± 0.3 | ± --- | | DIMENSION STYLE MM/IN | SCALE 2:1 | DESIGN UNITS INCH | THIRD ANGLE PROJECTION |
|---|---|---|----------------------------------|--------------------|--|----------------------------|----------|-------|-------|--|----------|-------|--------|--|----------|--------|-------|--|---------|-------|-------|--|---------------------------------|---------------------|-----------------------------|------------------------|
| | mm | | INCH | | | | | | | | | | | | | | | | | | | | | | | |
| | 4 PLACES | ± --- | ± --- | | | | | | | | | | | | | | | | | | | | | | | |
| | 3 PLACES | ± --- | ± .005 | | | | | | | | | | | | | | | | | | | | | | | |
| 2 PLACES | ± 0.13 | ± .01 | | | | | | | | | | | | | | | | | | | | | | | | |
| 1 PLACE | ± 0.3 | ± --- | | | | | | | | | | | | | | | | | | | | | | | | |
| DRAFT WHERE APPLICABLE MUST REMAIN WITHIN DIMENSIONS | DRAWN BY C. YORK | DATE 2006/03/24 | CHECKED BY RDEROSS | DATE 2006/03/24 | TITLE SR BTS, WW, ASSY 9.53 MM [.375] CENTERS | | | | | | | | | | | | | | | | | | | | | |
| | APPROVED BY RDEROSS | DATE 2006/03/24 | MATERIAL NO. SEE CHART | | DOCUMENT NO. SD-38721-003 | SHEET NO. 2 OF 2 | | | | | | | | | | | | | | | | | | | | |
| | THIS DRAWING CONTAINS INFORMATION THAT IS PROPRIETARY TO MOLEX INCORPORATED AND SHOULD NOT BE USED WITHOUT WRITTEN PERMISSION | | | | | | | | | | | | | | | | | | | | | | | | | |

PART NUMBER DATA

| CIRCUITS | A IN | | B IN | | C IN | | D IN | |
|----------|-------|-------|-------|--------|--------|--------|------|-------|
| | mm | mm | mm | mm | mm | mm | mm | mm |
| 2 | 1.58 | 40.2 | .375 | 9.52 | 1.125 | 28.58 | .83 | 21.1 |
| 3 | 1.96 | 49.7 | .750 | 19.05 | 1.500 | 38.10 | 1.21 | 30.7 |
| 4 | 2.33 | 59.2 | 1.125 | 28.58 | 1.875 | 47.63 | 1.58 | 40.2 |
| 5 | 2.71 | 68.7 | 1.500 | 38.10 | 2.250 | 57.15 | 1.96 | 49.7 |
| 6 | 3.08 | 78.3 | 1.875 | 47.63 | 2.625 | 66.68 | 2.33 | 59.2 |
| 7 | 3.46 | 87.8 | 2.250 | 57.15 | 3.000 | 76.20 | 2.71 | 68.8 |
| 8 | 3.83 | 97.3 | 2.625 | 66.68 | 3.375 | 85.73 | 3.08 | 78.3 |
| 9 | 4.21 | 106.8 | 3.000 | 76.20 | 3.750 | 95.25 | 3.46 | 87.8 |
| 10 | 4.58 | 116.4 | 3.375 | 85.73 | 4.125 | 104.78 | 3.83 | 97.3 |
| 11 | 4.96 | 125.9 | 3.750 | 95.25 | 4.500 | 114.30 | 4.21 | 106.9 |
| 12 | 5.33 | 135.4 | 4.125 | 104.78 | 4.875 | 123.83 | 4.58 | 116.4 |
| 13 | 5.71 | 144.9 | 4.500 | 114.30 | 5.250 | 133.35 | 4.96 | 125.9 |
| 14 | 6.08 | 154.5 | 4.875 | 123.83 | 5.625 | 142.88 | 5.33 | 135.4 |
| 15 | 6.46 | 164.0 | 5.250 | 133.35 | 6.000 | 152.40 | 5.71 | 145.0 |
| 16 | 6.83 | 173.5 | 5.625 | 142.88 | 6.375 | 161.93 | 6.08 | 154.5 |
| 17 | 7.21 | 183.0 | 6.000 | 152.40 | 6.750 | 171.45 | 6.46 | 164.0 |
| 18 | 7.58 | 192.6 | 6.375 | 161.93 | 7.125 | 180.98 | 6.83 | 173.5 |
| 19 | 7.96 | 202.1 | 6.750 | 171.45 | 7.500 | 190.50 | 7.21 | 183.1 |
| 20 | 8.33 | 211.6 | 7.125 | 180.98 | 7.875 | 200.03 | 7.58 | 192.6 |
| 21 | 8.71 | 221.1 | 7.500 | 190.50 | 8.250 | 209.55 | 7.96 | 202.1 |
| 22 | 9.08 | 230.7 | 7.875 | 200.03 | 8.625 | 219.08 | 8.33 | 211.6 |
| 23 | 9.46 | 240.2 | 8.250 | 209.55 | 9.000 | 228.60 | 8.71 | 221.2 |
| 24 | 9.83 | 249.7 | 8.625 | 219.08 | 9.375 | 238.13 | 9.08 | 230.7 |
| 25 | 10.21 | 259.2 | 9.000 | 228.60 | 9.750 | 247.65 | 9.46 | 240.2 |
| 26 | 10.58 | 268.8 | 9.375 | 238.13 | 10.125 | 257.18 | 9.83 | 249.7 |

ISO VIEW
4 CIRCUIT SHOWN



- NOTES:
1. MATERIAL: SEE TABLE
 2. FINISHES: SEE TABLE
 3. PRODUCT SPECIFICATION: PS-38710-001
 4. "XX" REFERS TO THE QUANTITY OF CIRCUITS
 5. DIMS SHOWN ARE FOR REFERENCE ONLY

PART NUMBER LEGEND

ENG NO. 72 7 XX XX-XX

SERIES

TAIL LENGTH
-47=.47/11.9 (STD)
-55=.54/13.7
-75=.75/19.1
-81=.81/20.6

OPTION:
-49 (BRASS PHIL-SLOT SCREW)
-50 (SCREW WITH CLAMP WASHER)

TERMINAL STYLE
WIRE WRAP (WW)

POLES: SEE CHART

SAP P/N SERIES: 3872122XX= STD
SAP P/N SERIES: 3872128XX= -49
SAP P/N SERIES: 3872134XX= -50
SAP P/N SERIES: 38729___= -81

REF. THIS DRAWING SUPERSEDES SD-78721-003 REV-B

| ITEM | QTY | DESCRIPTION | MATERIAL | FINISH |
|------|-----|-------------------------------------|----------|--------------------|
| 6 | XX | #6-32 PH/SLOTTED SCREW (OPTION -50) | STEEL | ZN, CLEAR CHROMATE |
| 5 | XX | #6-32 PH/SLOTTED SCREW (OPTION -49) | BRASS | NICKEL PLATE |
| 4 | XX | #6-32 PH/SLOTTED SCREW (STD) | STEEL | ZN, CLEAR CHROMATE |
| 3 | 2 | MOUNTING PLATE | BRASS | NICKEL PLATE |
| 2 | XX | TERMINAL | BRASS | TIN PLATE |
| 1 | 1 | BARRIER TERMINAL STRIP | PBT | BLACK |

RELEASED
EC NO: ICG2015-0118
DRWN: RSTONE 2014/07/17
CHKD: BARDEN 2014/07/23
APPR: JFMURPHY 2014/08/02

DESCRIPTION

QUALITY SYMBOL
▽=0
▽C=0

GENERAL TOLERANCES (UNLESS SPECIFIED)

| | mm | INCH |
|----------|-------|-------|
| 4 PLACES | ±--- | ±--- |
| 3 PLACES | ±--- | ±.005 |
| 2 PLACES | ±0.13 | ±.01 |
| 1 PLACE | ±0.3 | ±--- |

ANGULAR ±---°

DRAFT WHERE APPLICABLE MUST REMAIN WITHIN DIMENSIONS

DIMENSION STYLE IN/MM

SCALE ---

DESIGN UNITS INCH

THIRD ANGLE PROJECTION

DRAWN BY RSTONE DATE 2014/07/17

CHECKED BY BARDEN DATE ---

APPROVED BY JFMURPHY DATE 2014/08/02

MATERIAL NO. SEE PART LEGEND

DOCUMENT NO. SD-38721-010

SHEET NO. 1 OF 1

THIS DRAWING CONTAINS INFORMATION THAT IS PROPRIETARY TO MOLEX INCORPORATED AND SHOULD NOT BE USED WITHOUT WRITTEN PERMISSION

Компания «Океан Электроники» предлагает заключение долгосрочных отношений при поставках импортных электронных компонентов на взаимовыгодных условиях!

Наши преимущества:

- Поставка оригинальных импортных электронных компонентов напрямую с производств Америки, Европы и Азии, а так же с крупнейших складов мира;
- Широкая линейка поставок активных и пассивных импортных электронных компонентов (более 30 млн. наименований);
- Поставка сложных, дефицитных, либо снятых с производства позиций;
- Оперативные сроки поставки под заказ (от 5 рабочих дней);
- Экспресс доставка в любую точку России;
- Помощь Конструкторского Отдела и консультации квалифицированных инженеров;
- Техническая поддержка проекта, помощь в подборе аналогов, поставка прототипов;
- Поставка электронных компонентов под контролем ВП;
- Система менеджмента качества сертифицирована по Международному стандарту ISO 9001;
- При необходимости вся продукция военного и аэрокосмического назначения проходит испытания и сертификацию в лаборатории (по согласованию с заказчиком);
- Поставка специализированных компонентов военного и аэрокосмического уровня качества (Xilinx, Altera, Analog Devices, Intersil, Interpoint, Microsemi, Actel, Aeroflex, Peregrine, VPT, Syfer, Eurofarad, Texas Instruments, MS Kennedy, Miteq, Cobham, E2V, MA-COM, Hittite, Mini-Circuits, General Dynamics и др.);

Компания «Океан Электроники» является официальным дистрибьютором и эксклюзивным представителем в России одного из крупнейших производителей разъемов военного и аэрокосмического назначения «JONHON», а так же официальным дистрибьютором и эксклюзивным представителем в России производителя высокотехнологичных и надежных решений для передачи СВЧ сигналов «FORSTAR».



JONHON

«JONHON» (основан в 1970 г.)

Разъемы специального, военного и аэрокосмического назначения:

(Применяются в военной, авиационной, аэрокосмической, морской, железнодорожной, горно- и нефтедобывающей отраслях промышленности)

«FORSTAR» (основан в 1998 г.)

ВЧ соединители, коаксиальные кабели, кабельные сборки и микроволновые компоненты:

(Применяются в телекоммуникациях гражданского и специального назначения, в средствах связи, РЛС, а так же военной, авиационной и аэрокосмической отраслях промышленности).



Телефон: 8 (812) 309-75-97 (многоканальный)

Факс: 8 (812) 320-03-32

Электронная почта: ocean@oceanchips.ru

Web: <http://oceanchips.ru/>

Адрес: 198099, г. Санкт-Петербург, ул. Калинина, д. 2, корп. 4, лит. А