



ON Semiconductor®

<http://onsemi.com>

# LV8161MU

Monolithic Linear IC

## Single-Phase Fan Motor Driver

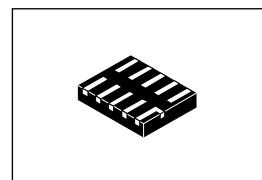
### Overview

LV8161MU is the driver IC with BTL linear output for single-phase fan motor, and that drives at low noise by suppressing the reactive power. Moreover, it has the function to fix to the rotational speed corresponding to the oscillatory frequency set with CIN/COUT pins, and that speed control is done by PWM. So, the output signal forms BTL combined with PWM.

It is optimum for the small fan motor that requires low power dissipation, low noise, and the fixed rotational speed.

### Function

- Single-phase full wave operating by BTL output (BTL amplifier gain: +45.5dB)
- The fixed rotational speed function (possible to adjust the speed by the value of resistor and capacitor connected to CIN/COUT pins)
- Hall bias output pin (VHB = 1.03V (typ))
- FG (rotation signal) output pin (Open drain output)
- Built-in motor start-up assistance function (PWM with 100% duty in output at start-up)
- Built-in lock protection and automatic restart circuit
- Built-in thermal-shutdown (TSD) circuit



UDFN10 (2.5 × 2.0)

### Specifications

#### Absolute Maximum Ratings at Ta = 25°C

Parameter	Symbol	Conditions	Ratings	Unit
Maximum supply voltage	V <sub>CC</sub> max		7	V
OUT1/2 output current	IO <sub>UT</sub> max		0.7	A
OUT1/2 output voltage handling	VO <sub>UT</sub> max		7	V
HB output current	I <sub>HB</sub> max		10	mA
CIN output voltage handling	VP <sub>WM</sub>		7	V
FG output current	IF <sub>G</sub> max		5	mA
FG output voltage handling	V <sub>FG</sub> max		7	V
Allowable power dissipation	P <sub>d</sub> max	IC on board*	900	mW
Operating temperature	T <sub>opr</sub>	T <sub>j</sub> < 150°C	-30 to 95	°C
Storage temperature	T <sub>stg</sub>		-55 to 150	°C

\* Specified board: 105mm × 120mm × 1.6mm, grass epoxy board / two layers.

Stresses exceeding those listed in the Maximum Ratings table may damage the device. If any of these limits are exceeded, device functionality should not be assumed, damage may occur and reliability may be affected.

### ORDERING INFORMATION

See detailed ordering and shipping information on page 11 of this data sheet.

# LV8161MU

## Recommended Operating Conditions at Ta = 25°C

Parameter	Symbol	Conditions	Ratings			Unit
			min	typ	max	
Recommended Supply voltage	V <sub>CC</sub>			5.0		V
Operating supply voltage	V <sub>CC op</sub>		2.2		6.0	V
Hall amplifier common mode input voltage range	V <sub>ICM</sub>		0.3		1.5	V
Feedback resistance	R <sub>COUT</sub>	Resistance between COUT pin and CIN pin	5			kΩ
CIN input frequency range	f <sub>CIN</sub>		10		400	kHz

Functional operation above the stresses listed in the Recommended Operating Ranges is not implied. Extended exposure to stresses beyond the Recommended Operating Ranges limits may affect device reliability.

## Electrical Characteristics at Ta = 25°C, V<sub>CC</sub> = 5V

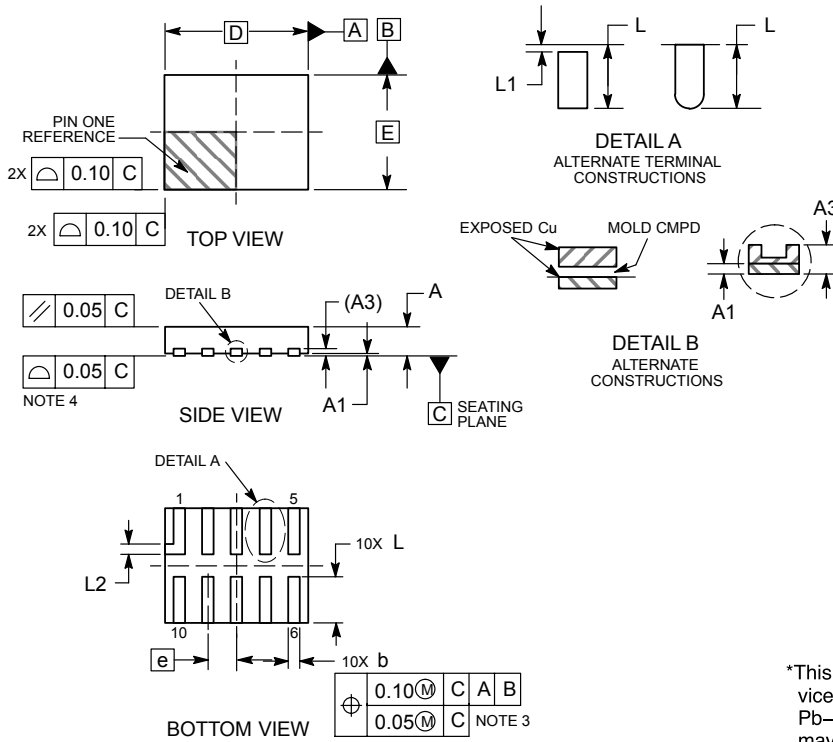
Parameter	Symbol	Conditions	Ratings			Unit
			min	typ	max	
Circuit current	I <sub>CC</sub>			1.8	2.7	mA
HB bias voltage	V <sub>HB</sub>	I <sub>HB</sub> =-5mA	0.90	1.03	1.20	V
OUT1/2 output "H" voltage	V <sub>OH</sub>	I <sub>OUT</sub> =-200mA (V <sub>OH</sub> =V <sub>CC</sub> -V <sub>OUT</sub> )		0.16	0.24	V
OUT1/2 output "L" voltage	V <sub>OL</sub>	I <sub>OUT</sub> =200mA		0.10	0.15	V
Hall amplifier output offset voltage	V <sub>INOFFS</sub>		-10		10	mV
Hall amplifier voltage gain	G <sub>H</sub>		44.0	45.5	47.0	dB
Hall comparator hysteresis width	ΔV <sub>HIN</sub>	*1		±15		mV
CIN input "H" threshold level	V <sub>CINH</sub>		2.365	2.490	2.615	V
CIN input "L" threshold level	V <sub>CINL</sub>		1.190	1.255	1.320	V
CIN input hysteresis width	ΔV <sub>CIN</sub>		1.175	1.235	1.295	V
COUT output "H" voltage	V <sub>COH</sub>	I <sub>COH</sub> =-0.5mA (V <sub>COH</sub> =V <sub>CC</sub> -V <sub>COUT</sub> )	60	80	100	mV
COUT output "L" voltage	V <sub>COL</sub>	I <sub>COL</sub> =0.5mA	60	80	100	mV
Number of counts at speed detection 1	N1			990		
Number of counts at speed detection 2	N2			1010		
PWM frequency	f <sub>PWM</sub>		22	32	42	kHz
PWM minimum "H" duty	D <sub>Hmin</sub>		16	20	24	%
FG output "L" voltage	V <sub>FGL</sub>	I <sub>FG</sub> =3mA			0.3	V
FG output leakage current	I <sub>FGL</sub>	V <sub>FG</sub> =7V			10	μA
Output on time in lock-detection	LT1		0.4	0.6	0.8	s
Output off time in lock-detection	LT2		4	6	8	s
Output on/off time ratio In lock detection	LRTO	LRTO=LT2/LT1	9	10	11	
Thermal-shutdown operating temperature	T <sub>SD</sub>	*1		180		°C
Thermal-shutdown hysteresis width	ΔT <sub>SD</sub>	*1		30		°C

Product parametric performance is indicated in the Electrical Characteristics for the listed test conditions, unless otherwise noted. Product performance may not be indicated by the Electrical Characteristics if operated under different conditions.

# LV8161MU

## Package Dimensions

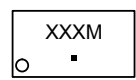
UDFN10 2.5x2, 0.5P  
CASE 517CM  
ISSUE O



- NOTES:
1. DIMENSIONING AND TOLERANCING PER ASME Y14.5M, 1994.
  2. CONTROLLING DIMENSION: MILLIMETERS.
  3. DIMENSIONS b APPLIES TO PLATED TERMINAL AND IS MEASURED BETWEEN 0.15 AND 0.30 MM FROM TERMINAL TIP.
  4. COPLANARITY APPLIES TO THE EXPOSED PAD AS WELL AS THE TERMINALS.

DIM	MILLIMETERS	
	MIN	MAX
A	0.45	0.55
A1	0.00	0.05
A3	0.13	REF
b	0.20	0.30
D	2.50	BSC
E	2.00	BSC
e	0.50	BSC
L	0.70	0.90
L1	0.00	0.15
L2	0.20	REF

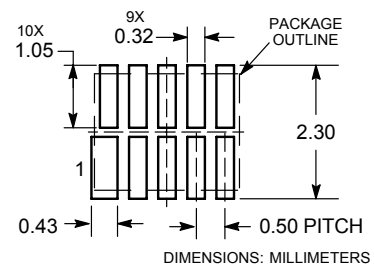
### GENERIC MARKING DIAGRAM\*



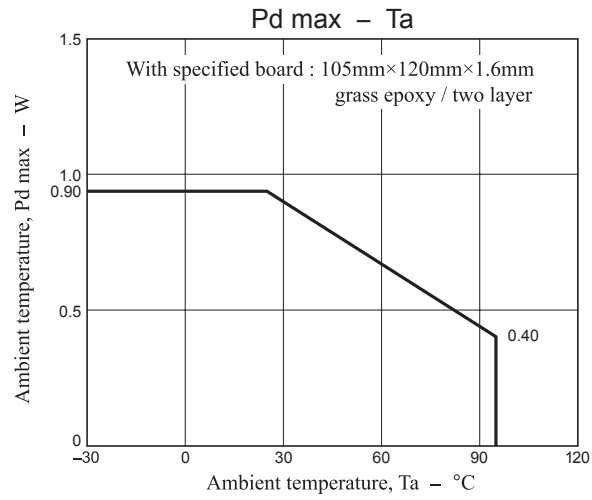
- XXX = Specific Device Code
- M = Date Code
- = Pb-Free Package

\*This information is generic. Please refer to device data sheet for actual part marking. Pb-Free indicator, "G" or microdot "■", may or may not be present.

### RECOMMENDED MOUNTING FOOTPRINT

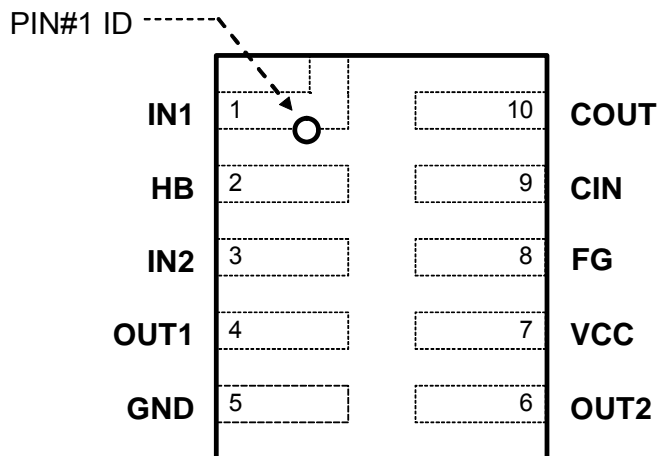


# LV8161MU



## Pin Assignment

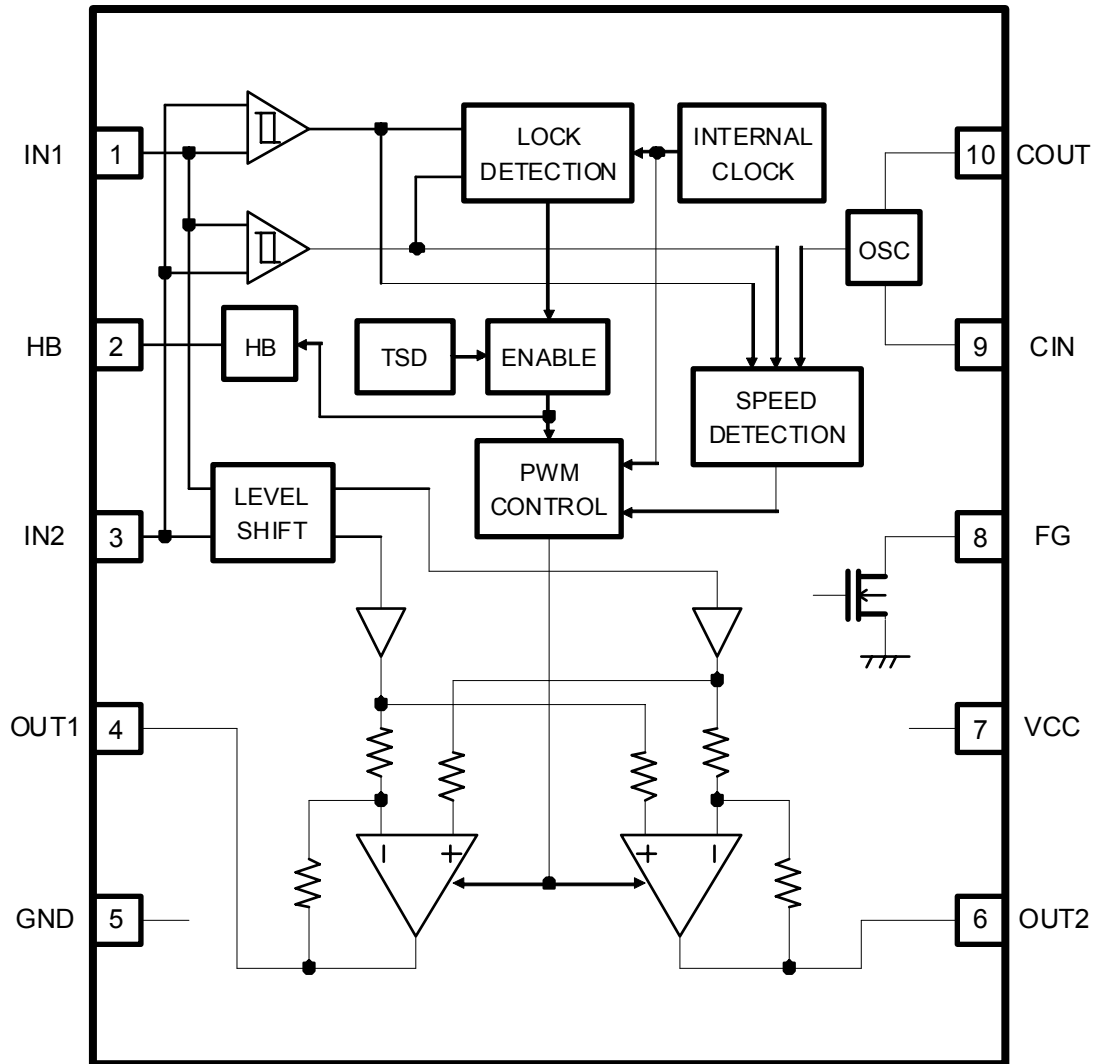
**Package: UDFN10 2.5x2.0**



**(Top view)**

# LV8161MU

## Block Diagram



# LV8161MU

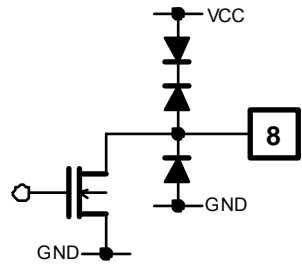
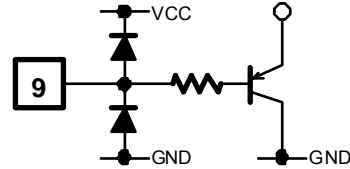
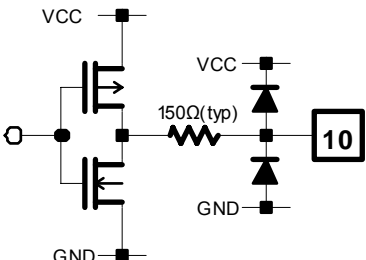
## Pin Function

Pin No.	Pin name	Function	Equivalent circuit
1	IN1	Hall input pin(1).	
3	IN2	Hall input pin (2). Input the opposite phase signal to IN1 input.	
2	HB	Regulated voltage output pin. It is used for Hall bias. It is necessary to open when not using it. Not to use HB bias and VCC bias together.	
4	OUT1	Output pin for motor drive (1).	
6	OUT2	Output pin for motor drive (2).	
5	GND	GND pin.	
7	VCC	Power supply pin. The input voltage to this terminal must be stabilized without the influence of the noise, ripple, and etc. Therefore, it is necessary to connect the capacitor near VCC terminal and GND terminal as much as possible. It must be over 1uF about the value of this capacitor. Not to detach it.	

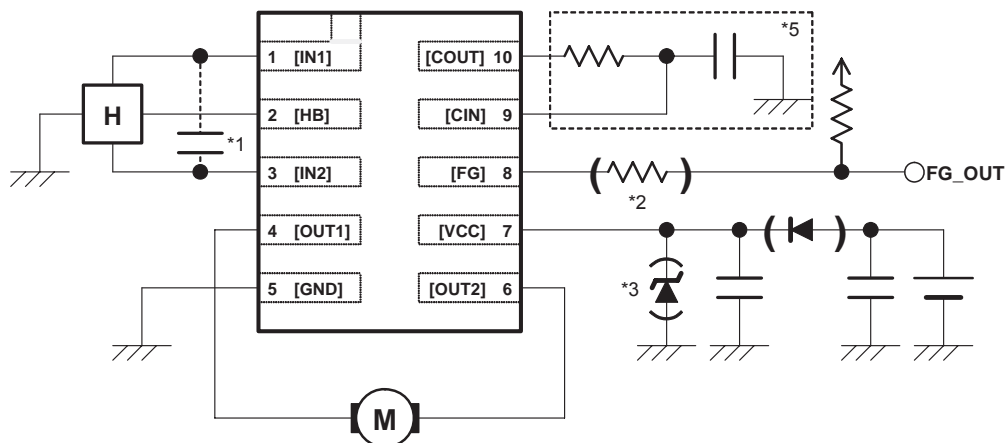
Continued on next page.

# LV8161MU

Continued from preceding page.

Pin No.	Pin name	Function	Equivalent circuit
8	FG	Output pin of the rotational signal. It is necessary to open when not using it.	
9	CIN	Input pin of the clock for setting the rotational speed.	
10	COUT	Output pin of the signal reversing CIN clock. It works self-oscillating by returning this output signal through the filter with resistor and capacitor to CIN pin.	

Application Circuit Example



- \*1. The hall signal must be wired as short as possible for avoiding the noise. If in influence of the noise, insert the capacitor between IN1 and IN2.
- \*2. It is recommendation that the resistance of 1kΩ or more is connected to FG pin to the series when GND-open or mis-connecting.
- \*3. The power-supply voltage might rise by the influence of the coil kickback etc. when using the diode for preventing the destruction at reverse-connected. In that case, insert the zener diode between the power supply and GND, and suppress the rise of the voltage of VCC pin.
- \*4. It is necessary to wire the VCC and the GND line as wide and short as possible.
- \*5. The reference clock that decides the rotational speed is generated with the connection of C1 pin, COUT pin, R1, and C1 as shown in figure. The relation among rotational speed N [rpm] of the motor with m-poles and the cycle of the reference clock T [s] is as follows.

$$\frac{N}{60} \times \frac{m}{2} = \frac{1}{1000 \times T}$$

Otherwise, the relation among T[s], C1 [F], and R1 [Ω] is as follows in consideration of 150 [Ω] built into COUT terminal.

$$T = 1.09862 \times C_1 \times (R_1 + 150)$$

Therefore, the relation among rotational speed N [rpm] of the motor with m-poles, C1 [F], and R1 [Ω] is led from above formula as follows.

$$\frac{N}{60} \times \frac{m}{2} = \frac{910.2328E-6}{C_1 \times (R_1 + 150)}$$

For example, when setting to rotate the motor with 4-poles at 2,700 [rpm] as C1=1,000 [pF],

$$\frac{2700}{60} \times \frac{4}{2} = \frac{910.2328E-6}{1000E-12 \times (R_1 + 150)}$$

$$\Leftrightarrow R_1 = \frac{910232.8}{90} - 150 = 9.964[k\Omega]$$

Actually, the error margin of rotational speed is caused by the operation time of the circuit, the influence of parasitic elements on the circuit board, etc. Therefore, the value of C1 and R1 should be decided by confirming with the operation with the actual motor.

When the value of C1 or R1 changes by the thermal condition or the manufacturing tolerance etc, the rotational speed of the motor changes. So, it is necessary to use the capacitor and the resistor with better characteristics when high accuracy at rotational speed is needed.



# LV8161MU

---

## \*Truth table

IN1	IN2	(PWM) *1	OUT1	OUT2	FG	Mode
H	L	H	L	H	Z	Drive (OUT2 to OUT1)
		L		L		Regenerate
		X		Z		Lock protection *2
L	H	H	H	L	L	Drive (OUT1 to OUT2)
		L	L			Regenerate
		X	Z			Lock protection *2

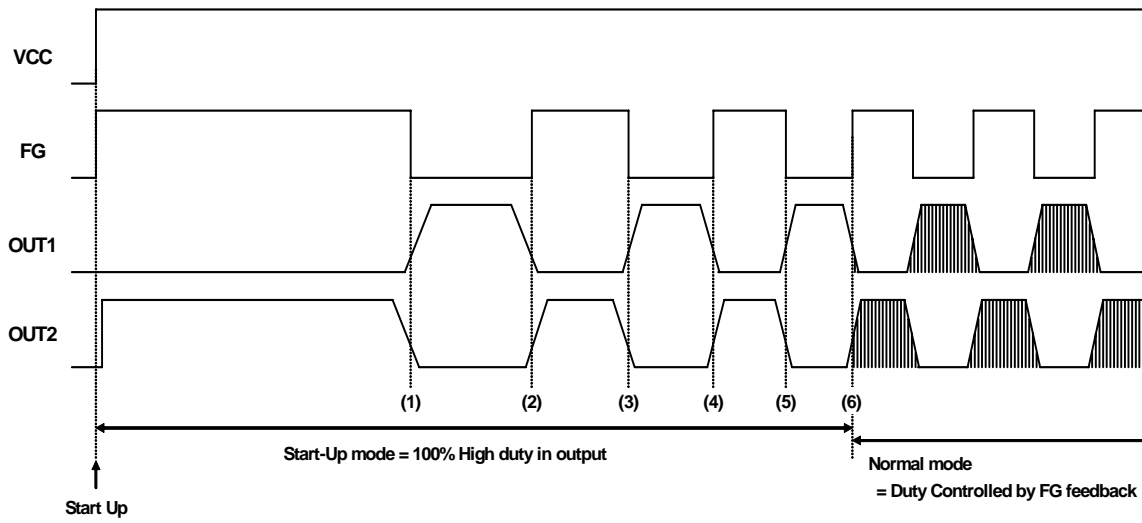
X: Don't care, Z: High impedance

\*1. (PWM) is assumed the PWM signal generated in IC

\*2. When FG pulse is not generated in Output-On-time on Lock-Detection mode,  
it goes into the state of Lock-Protection.

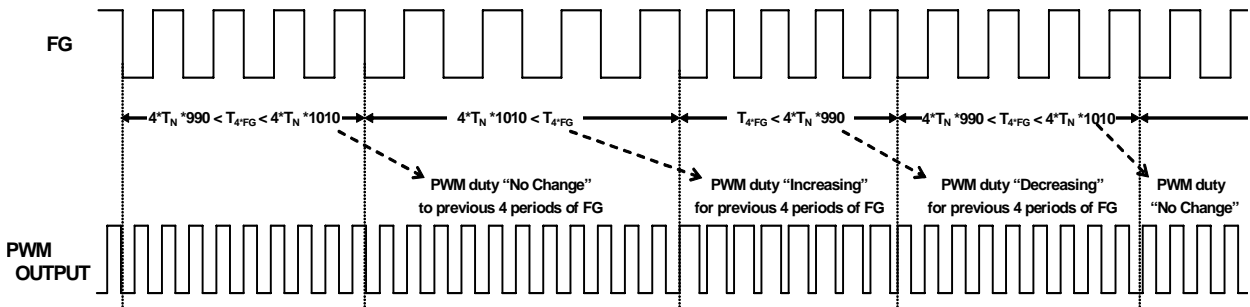
Timing Chart

• Start Up



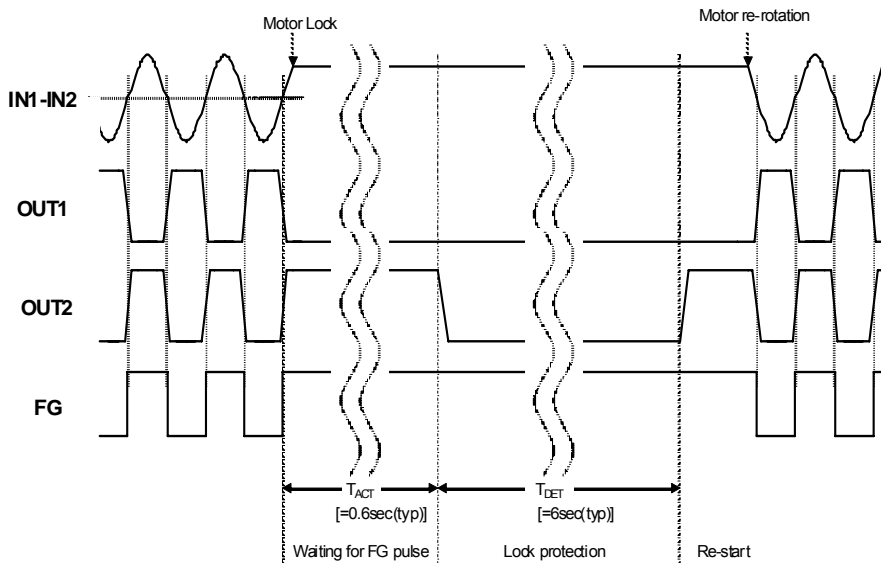
# Output duty control switches from Start-Up mode to Normal mode after counting FG edge to 6.

• PWM duty control by FG feedback



#  $T_{4FG}$ : Time of 4 periods of FG output,  $T_N$ : Cycle time of COU oscillation

• Lock protection and Auto re-start



# In the mode of motor protection, high side output turns to high impedance.

# LV8161MU

---

## ORDERING INFORMATION

Device	Package	Shipping (Qty / Packing)
LV8161MUTAG	UDFN10 (2.5 × 2.0) (Pb-Free / Halogen Free)	3000 / Tape & Reel

ON Semiconductor and the ON logo are registered trademarks of Semiconductor Components Industries, LLC (SCILLC). SCILLC owns the rights to a number of patents, trademarks, copyrights, trade secrets, and other intellectual property. A listing of SCILLC's product/patent coverage may be accessed at [www.onsemi.com/site/pdf/Patent-Marking.pdf](http://www.onsemi.com/site/pdf/Patent-Marking.pdf). SCILLC reserves the right to make changes without further notice to any products herein. SCILLC makes no warranty, representation or guarantee regarding the suitability of its products for any particular purpose, nor does SCILLC assume any liability arising out of the application or use of any product or circuit, and specifically disclaims any and all liability, including without limitation special, consequential or incidental damages. "Typical" parameters which may be provided in SCILLC data sheets and/or specifications can and do vary in different applications and actual performance may vary over time. All operating parameters, including "Typicals" must be validated for each customer application by customer's technical experts. SCILLC does not convey any license under its patent rights nor the rights of others. SCILLC products are not designed, intended, or authorized for use as components in systems intended for surgical implant into the body, or other applications intended to support or sustain life, or for any other application in which the failure of the SCILLC product could create a situation where personal injury or death may occur. Should Buyer purchase or use SCILLC products for any such unintended or unauthorized application, Buyer shall indemnify and hold SCILLC and its officers, employees, subsidiaries, affiliates, and distributors harmless against all claims, costs, damages, and expenses, and reasonable attorney fees arising out of, directly or indirectly, any claim of personal injury or death associated with such unintended or unauthorized use, even if such claim alleges that SCILLC was negligent regarding the design or manufacture of the part. SCILLC is an Equal Opportunity/Affirmative Action Employer. This literature is subject to all applicable copyright laws and is not for resale in any manner.

Компания «Океан Электроники» предлагает заключение долгосрочных отношений при поставках импортных электронных компонентов на взаимовыгодных условиях!

Наши преимущества:

- Поставка оригинальных импортных электронных компонентов напрямую с производств Америки, Европы и Азии, а так же с крупнейших складов мира;
- Широкая линейка поставок активных и пассивных импортных электронных компонентов (более 30 млн. наименований);
- Поставка сложных, дефицитных, либо снятых с производства позиций;
- Оперативные сроки поставки под заказ (от 5 рабочих дней);
- Экспресс доставка в любую точку России;
- Помощь Конструкторского Отдела и консультации квалифицированных инженеров;
- Техническая поддержка проекта, помощь в подборе аналогов, поставка прототипов;
- Поставка электронных компонентов под контролем ВП;
- Система менеджмента качества сертифицирована по Международному стандарту ISO 9001;
- При необходимости вся продукция военного и аэрокосмического назначения проходит испытания и сертификацию в лаборатории (по согласованию с заказчиком);
- Поставка специализированных компонентов военного и аэрокосмического уровня качества (Xilinx, Altera, Analog Devices, Intersil, Interpoint, Microsemi, Actel, Aeroflex, Peregrine, VPT, Syfer, Eurofarad, Texas Instruments, MS Kennedy, Miteq, Cobham, E2V, MA-COM, Hittite, Mini-Circuits, General Dynamics и др.);

Компания «Океан Электроники» является официальным дистрибьютором и эксклюзивным представителем в России одного из крупнейших производителей разъемов военного и аэрокосмического назначения «JONHON», а так же официальным дистрибьютором и эксклюзивным представителем в России производителя высокотехнологичных и надежных решений для передачи СВЧ сигналов «FORSTAR».



## JONHON

«JONHON» (основан в 1970 г.)

Разъемы специального, военного и аэрокосмического назначения:

(Применяются в военной, авиационной, аэрокосмической, морской, железнодорожной, горно- и нефтедобывающей отраслях промышленности)

«FORSTAR» (основан в 1998 г.)

ВЧ соединители, коаксиальные кабели,  
кабельные сборки и микроволновые компоненты:

(Применяются в телекоммуникациях гражданского и специального назначения, в средствах связи, РЛС, а так же военной, авиационной и аэрокосмической отраслях промышленности).



Телефон: 8 (812) 309-75-97 (многоканальный)

Факс: 8 (812) 320-03-32

Электронная почта: [ocean@oceanchips.ru](mailto:ocean@oceanchips.ru)

Web: <http://oceanchips.ru/>

Адрес: 198099, г. Санкт-Петербург, ул. Калинина, д. 2, корп. 4, лит. А