

---

### PWM Step-down DC/DC Converter with switch function

---

NO.EA-121-120113

## OUTLINE

The R5220x Series are CMOS-based PWM step-down DC/DC Converters with synchronous rectifier, low supply current and LDO mode.

DC/DC converter of the R5220x consists of an oscillator, a PWM control circuit, a reference voltage unit, an error amplifier, a soft-start circuit, protection circuits, a protection against miss operation under low voltage (UVLO), PWM-DC to DC converter / LDO alternative circuit, a chip enable circuit, and a driver transistor. A high efficiency step-down DC/DC converter can be easily composed of this IC with only a few kinds of external components, or an inductor and capacitors.

LDO of the R5220x consists of a vortage reference unit, an error amplifier, resistors for voltage setting, output current limit circuit, a driver transistor, and so on. The output voltage is fixed internally in the R5220x. The output voltage of the DC/DC converter and the LDO can be set independently.

PWM step-down DC/DC converter / LDO alternative circuit is active with Mode Pin of the R5220x Series. Thus, when the load current is small, the operation can be switching into the LDO operation from PWM operation by the logic of MODE pin and the consumption current of the IC itself will be small at light load current. As protection circuits, the current limit circuit which limits peak current of Lx at each clock cycle, and the latch type protection circuit which works if the term of the over-current condition keeps on a certain time in PWM mode. Latch-type protection circuit works to latch an internal driver with keeping it disable. To release the protection, after disable this IC with a chip enable circuit, enable it again, or restart this IC with power-on or make the supply voltage at UVLO detector threshold level or lower than UVLO.

## FEATURES

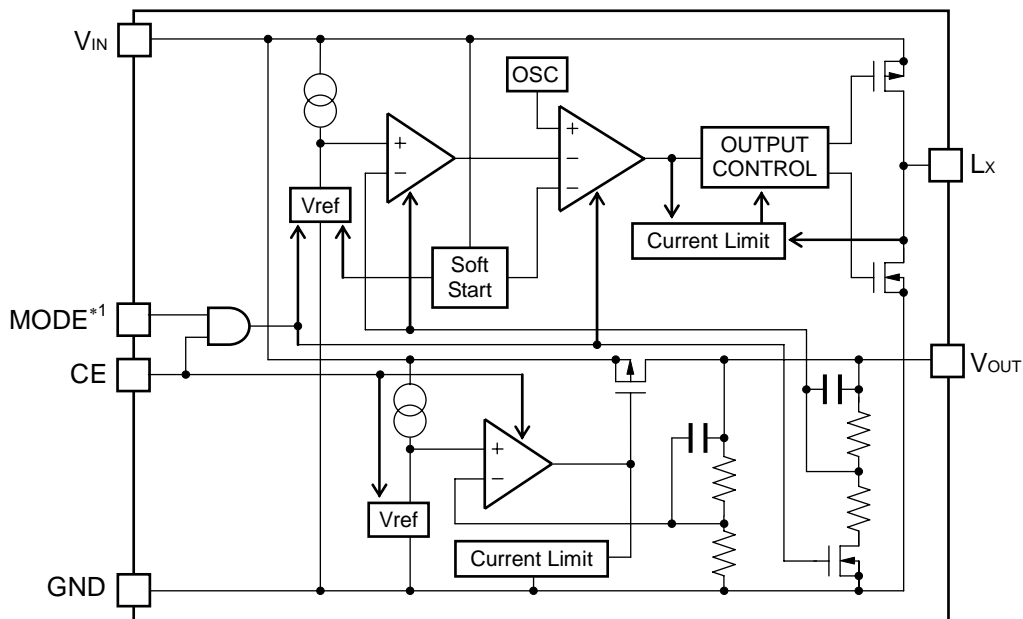
- Supply Current ..... Typ. 350 $\mu$ A (DC/DC), Typ. 5 $\mu$ A (VR)
- Standby Current ..... Typ. 0.1 $\mu$ A
- Built-in Driver ON Resistance ..... P-channel 0.5 $\Omega$ , N-channel 0.5 $\Omega$  (at  $V_{IN}=3.6V$ )
- Output Current ..... Min. 400mA (DC/DC), Min. 50mA (VR)
- Input Voltage ..... 2.8V to 5.5V (Absolute Input Maximum: 6.5V)
- Output Voltage ..... 1.0V to 3.3V (0.1V steps)  
(For other voltages, please refer to MARK INFORMATIONS.)
- Output Voltage Accuracy.....  $\pm 2.0\%$  ( $V_{OUT} \geq 1.5$ ),  $\pm 30mV$  ( $V_{OUT} < 1.5V$ )
- Oscillator Frequency (DC/DC) ..... Typ. 1.2MHz
- Package ..... SON-6, DFN(PLP)2514-6
- Built-in Soft-start Function..... Typ. 0.2ms
- Latch-type Protection Function (Delay Time)..... Typ. 3.0ms
- Built-in fold-back protection circuit (DC/DC, VR)
- Ceramic Capacitor is recommended.

## APPLICATIONS

- Power source for portable equipment such as DSC, DVC, and communication equipment.

**R5220x**

**BLOCK DIAGRAM**



\*1) R5220xxxxA: DC/DC mode: Mode pin= "H", VR mode: Mode pin= "L"  
 R5220xxxxB: DC/DC mode: Mode pin= "L", VR mode: Mode pin= "H"

**SELECTION GUIDE**

In the R5220x Series, the output voltage, the version and the pin polarities for the ICs can be selected at the user's request.

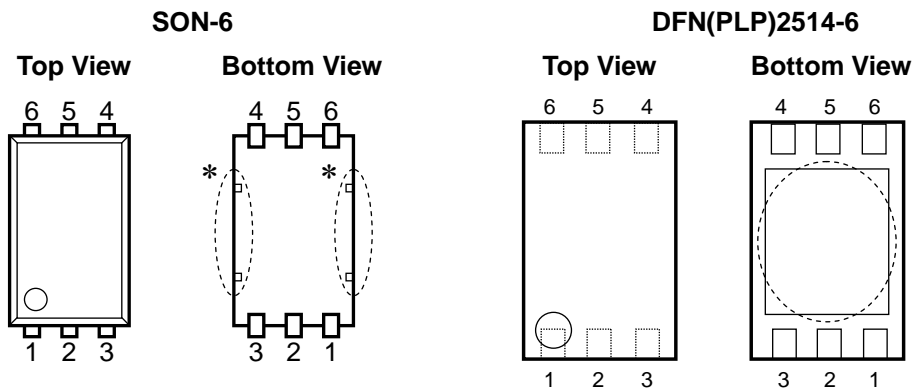
Product Name	package	Quantity per Reel	Pb Free	Halogen Free
R5220Kxx* $\$$ -TR	DFN(PLP)2514-6	5,000 pcs	○	○
R5220Dxx* $\$$ -TR-FE	SON-6	3,000 pcs	○	○

xx : Output Voltage ( $V_{out}$ ) or serial number.  
 The output voltage can be designed in the range from 1.0V(10) to 3.3V(33) in 0.1V steps.  
 ( If selected the custom-made product)The output voltage can be designed by Serial numbers.  
 Please refer to the attached Mark Informations.

\* : (1) Standard (DC/DC output voltage = LDO output voltage)  
 (2) Custom-made (DC/DC output voltage  $\neq$  LDO output voltage)

$\$$  : Designation of chip enable and Mode pin polarities  
 (A) Mode pin; "H"=DC/DC converter mode, "L"=LDO Mode  
 (B) Mode pin; "L"=DC/DC converter mode, "H"=LDO Mode

## PIN CONFIGURATIONS



## PIN DESCRIPTIONS

Pin No	Symbol	Description
1	Lx	Lx Pin Voltage Supply Pin
2	GND	Ground Pin
3	MODE	Mode changer Pin (Refer to the Selection Guide)
4	CE	Chip Enable Pin (active with "H")
5	V <sub>OUT</sub>	Output Pin
6	V <sub>IN</sub>	Voltage Supply Pin

\*1) Tab is GND level. (They are connected to the reverse side of this IC.)

The tab is better to be connected to the GND, but leaving it open is also acceptable.

## ABSOLUTE MAXIMUM RATINGS

Symbol	Item	Rating	Unit
$V_{IN}$	$V_{IN}$ Supply Voltage	6.5	V
$V_{LX}$	$L_X$ Pin Voltage	-0.3 to $V_{IN}+0.3$	V
$V_{CE}$	CE Pin Input Voltage	-0.3 to 6.5	V
$V_{MODE}$	MODE Pin Input Voltage	-0.3 to 6.5	V
$V_{OUT}$	$V_{OUT}$ Pin Voltage	-0.3 to $V_{IN}+0.3$	V
$I_{LX}$	$L_X$ Pin Output Current	600	mA
$I_{OUT}$	$V_{OUT}$ Pin Output Current	200	mA
$P_D$	Power Dissipation (SON-6)*	500	mW
	Power Dissipation (DFN(PLP)2514-6)*	730	
$T_{opt}$	Operating Temperature Range	-40 to 85	°C
$T_{stg}$	Storage Temperature Range	-55 to 125	°C

\*) For Power Dissipation, please refer to PACKAGE INFORMATION.

### ABSOLUTE MAXIMUM RATINGS

Electronic and mechanical stress momentarily exceeded absolute maximum ratings may cause the permanent damages and may degrade the life time and safety for both device and system using the device in the field.

The functional operation at or over these absolute maximum ratings is not assured.

### RECOMMENDED OPERATING CONDITIONS (ELECTRICAL CHARACTERISTICS)

All of electronic equipment should be designed that the mounted semiconductor devices operate within the recommended operating conditions. The semiconductor devices cannot operate normally over the recommended operating conditions, even if when they are used over such conditions by momentary electronic noise or surge. And the semiconductor devices may receive serious damage when they continue to operate over the recommended operating conditions.

## ELECTRICAL CHARACTERISTICS

## • R5220xxxxA

T<sub>opt</sub>=25°C

Symbol	Item	Conditions	Min.	Typ.	Max.	Unit
V <sub>IN</sub>	Input Voltage		2.8		5.5	V
I <sub>SS1</sub>	Supply Current 1 (Standby mode)	V <sub>IN</sub> =V <sub>OUT1</sub> +1.0V, V <sub>CE</sub> =GND, V <sub>MODE</sub> =GND or V <sub>IN</sub> V <sub>OUT1</sub> :DC/DC Set V <sub>OUT</sub>		0.1	1.0	μA
I <sub>SS2</sub>	Supply Current 2 (Power Save mode)	V <sub>IN</sub> =V <sub>CE</sub> =V <sub>OUT2</sub> +1.0V, V <sub>MODE</sub> =GND V <sub>OUT2</sub> :VR Set V <sub>OUT</sub> , I <sub>OUT</sub> =0mA		5	10	μA
I <sub>SS3</sub>	Supply Current 3	V <sub>IN</sub> =V <sub>CE</sub> =V <sub>MODE</sub> =3.6V		350	450	μA

## DC/DC Part

T<sub>opt</sub>=25°C

Symbol	Item	Conditions	Min.	Typ.	Max.	Unit
V <sub>OUT1</sub>	Output Voltage	V <sub>IN</sub> =3.6V I <sub>OUT</sub> =50mA	V <sub>OUT1</sub> ≥ 1.5 ×0.98		V <sub>OUT1</sub> < 1.5 +0.03	V
f <sub>OSC</sub>	Oscillator Frequency	V <sub>IN</sub> =3.6V	0.96	1.20	1.44	MHz
T <sub>START</sub>	Soft-start Time	V <sub>IN</sub> =3.6V	V <sub>OUT1</sub> < 1.5 V <sub>OUT1</sub> ≥ 1.5	0.15 0.20	0.30 0.35	ms
R <sub>ONP</sub>	ON Resistance of Pch Transistor	V <sub>IN</sub> =3.6V, I <sub>LX</sub> =-100mA		0.5		Ω
R <sub>ONN</sub>	ON Resistance of Nch Transistor	V <sub>IN</sub> =3.6V, I <sub>LX</sub> =-100mA		0.5		Ω
I <sub>LXLEAK</sub>	Lx Leakage Current	V <sub>IN</sub> =5.5V, V <sub>CE</sub> =0V, L <sub>X</sub> =5.5V/0V	-1.0		1.0	μA
ΔV <sub>OUT</sub> / ΔT <sub>opt</sub>	Output Voltage Temperature Coefficient	-40°C ≤ T <sub>opt</sub> ≤ 85°C		±150		ppm/°C
Maxduty	Oscillator Maximum Duty Cycle	V <sub>OUT</sub> =0V	100			%
I <sub>LXlim</sub>	Lx Current Limit	V <sub>IN</sub> =3.6V	500	800		mA
T <sub>prot</sub>	Protection Delay Circuit	V <sub>IN</sub> =3.6V	1.0	3.0	7.0	ms
V <sub>UVLO1</sub>	UVLO Threshold Voltage	V <sub>IN</sub> =V <sub>CE</sub> =V <sub>MODE</sub> , V <sub>OUT</sub> =0V	2.00	2.35	2.75	V
V <sub>UVLO2</sub>	UVLO Released Voltage	V <sub>IN</sub> =V <sub>CE</sub> =V <sub>MODE</sub> , V <sub>OUT</sub> =0V	2.05	2.45	2.80	V
V <sub>MODEH</sub>	MODE "H" Input Voltage		1.0			V
V <sub>MODEL</sub>	MODE "L" Input Voltage		0		0.3	V

## VR Part

T<sub>opt</sub>=25°C

Symbol	Item	Conditions	Min.	Typ.	Max.	Unit
V <sub>OUT2</sub>	Output Voltage	V <sub>IN</sub> =V <sub>OUT2</sub> +1.0V I <sub>OUT</sub> =10mA	V <sub>OUT2</sub> ≥ 1.5 ×0.98		V <sub>OUT2</sub> < 1.5 +0.03	V
I <sub>OUT</sub>	Output Current	V <sub>IN</sub> =V <sub>OUT2</sub> +1.0V	50			mA
ΔV <sub>OUT2</sub> / ΔI <sub>OUT</sub>	Load Regulation	V <sub>IN</sub> =V <sub>OUT2</sub> +1.0V 10μA ≤ I <sub>OUT</sub> ≤ 25mA	V <sub>OUT2</sub> < 2.3 2.3 ≤ V <sub>OUT2</sub> < 3.0 V <sub>OUT2</sub> ≥ 3.0	15 25 35	40 50 65	mV
V <sub>DIF</sub>	Dropout Voltage	I <sub>OUT</sub> =50mA	V <sub>OUT2</sub> < 1.8 V <sub>OUT2</sub> ≥ 1.8	0.7 0.3		V
ΔV <sub>OUT2</sub> / ΔV <sub>IN</sub>	Line Regulation	2.8V ≤ V <sub>IN</sub> ≤ 5.5V I <sub>OUT</sub> =25mA V <sub>OUT2</sub> +0.5V ≤ V <sub>IN</sub> ≤ 5.5V I <sub>OUT</sub> =25mA	V <sub>OUT2</sub> < 2.3 V <sub>OUT2</sub> ≥ 2.3		0.2	%/V
RR	Ripple Rejection	Refer to Typical Characteristics				dB
ΔV <sub>OUT</sub> / ΔT <sub>opt</sub>	Output Voltage Temperature Coefficient	I <sub>OUT</sub> =30mA, -40°C ≤ T <sub>opt</sub> ≤ 85°C		±100		ppm/°C
I <sub>lim</sub>	Short Current Limit	V <sub>OUT</sub> =0V		60		mA
I <sub>PDC</sub>	CE pull-down current		0.12	0.40	0.70	μA
V <sub>CEH</sub>	CE "H" Input Voltage		1.0			V
V <sub>CEL</sub>	CE "L" Input Voltage		0		0.3	V

\* R5220D (SON-6) is the non-promotion product. As of March in 2014.

## R5220x

### • R5220xxxxB

T<sub>opt</sub>=25°C

Symbol	Item	Conditions	Min.	Typ.	Max.	Unit
V <sub>IN</sub>	Input Voltage		2.8		5.5	V
I <sub>SS1</sub>	Supply Current 1 (Standby mode)	V <sub>IN</sub> =V <sub>OUT1</sub> +1.0V, V <sub>CE</sub> =GND, V <sub>MODE</sub> =GND or V <sub>IN</sub> V <sub>OUT1</sub> :DC/DC Set V <sub>OUT</sub>		0.1	1.0	μA
I <sub>SS2</sub>	Supply Current 2 (Power Save mode)	V <sub>IN</sub> =V <sub>CE</sub> =V <sub>MODE</sub> =V <sub>OUT2</sub> +1.0V, V <sub>OUT2</sub> :VR Set V <sub>OUT</sub> , I <sub>OUT</sub> =0mA		5	10	μA
I <sub>SS3</sub>	Supply Current 3	V <sub>IN</sub> =V <sub>CE</sub> =3.6V, V <sub>MODE</sub> =GND		350	450	μA

### DC/DC Part

T<sub>opt</sub>=25°C

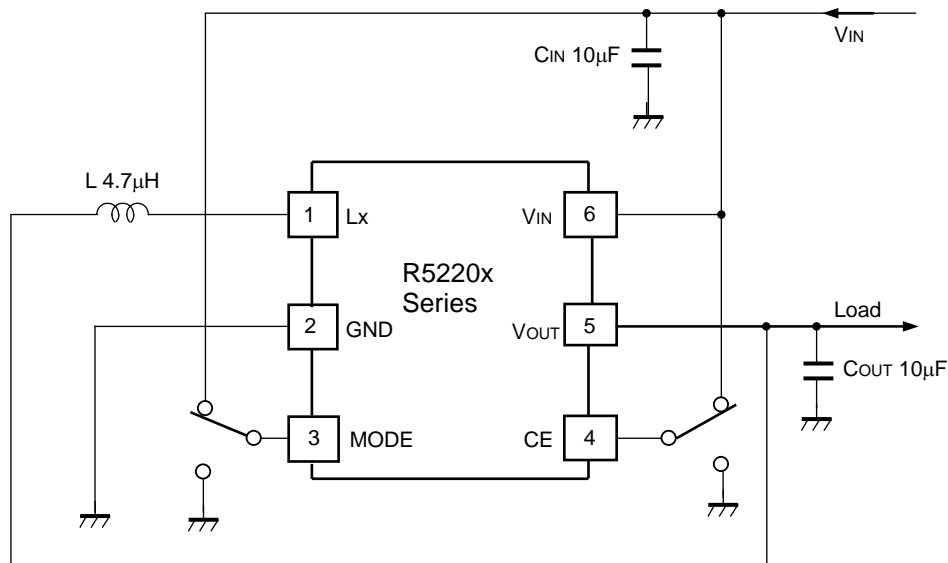
Symbol	Item	Conditions	Min.	Typ.	Max.	Unit
V <sub>OUT1</sub>	Output Voltage	V <sub>IN</sub> =3.6V I <sub>OUT</sub> =50mA V <sub>OUT1</sub> ≥ 1.5 V <sub>OUT1</sub> < 1.5	×0.98 -0.03		×1.02 +0.03	V
f <sub>osc</sub>	Oscillator Frequency	V <sub>IN</sub> =V <sub>SET1</sub> +1.5V	0.96	1.20	1.44	MHz
T <sub>START</sub>	Soft-start Time	V <sub>IN</sub> =3.6V V <sub>OUT1</sub> < 1.5 V <sub>OUT1</sub> ≥ 1.5		0.15 0.20	0.30 0.35	ms
R <sub>ONP</sub>	ON Resistance of Pch Transistor	V <sub>IN</sub> =3.6V, I <sub>LX</sub> =-100mA		0.5		Ω
R <sub>ONN</sub>	ON Resistance of Nch Transistor	V <sub>IN</sub> =3.6V, I <sub>LX</sub> =-100mA		0.5		Ω
I <sub>LXLEAK</sub>	Lx Leakage Current	V <sub>IN</sub> =5.5V, V <sub>CE</sub> =0V, L <sub>X</sub> =5.5V/0V	-1.0		1.0	μA
ΔV <sub>OUT</sub> / ΔT <sub>opt</sub>	Output Voltage Temperature Coefficient	-40°C ≤ T <sub>opt</sub> ≤ 85°C		±150		ppm/°C
Maxduty	Oscillator Maximum Duty Cycle	V <sub>OUT</sub> =0V	100			%
I <sub>LXlim</sub>	Lx Current Limit	V <sub>IN</sub> =3.6V	500	800		mA
T <sub>prot</sub>	Protection Delay Circuit	V <sub>IN</sub> =3.6V	1.0	3.0	7.0	ms
V <sub>UVLO1</sub>	UVLO Threshold Voltage	V <sub>CE</sub> =V <sub>IN</sub> , V <sub>MODE</sub> =GND, V <sub>OUT</sub> =0V	2.00	2.35	2.75	V
V <sub>UVLO2</sub>	UVLO Released Voltage	V <sub>CE</sub> =V <sub>IN</sub> , V <sub>MODE</sub> =GND, V <sub>OUT</sub> =0V	2.05	2.45	2.80	V
V <sub>MODEH</sub>	MODE "H" Input Voltage		1.0			V
V <sub>MODEL</sub>	MODE "L" Input Voltage		0		0.3	V

### VR Part

T<sub>opt</sub>=25°C

Symbol	Item	Conditions	Min.	Typ.	Max.	Unit
V <sub>OUT2</sub>	Output Voltage	V <sub>IN</sub> =V <sub>OUT2</sub> +1.0V I <sub>OUT</sub> =10mA V <sub>OUT2</sub> ≥ 1.5 V <sub>OUT2</sub> < 1.5	×0.98 -0.03		×1.02 +0.03	V
I <sub>OUT</sub>	Output Current	V <sub>IN</sub> =V <sub>OUT2</sub> +1.0V	50			mA
ΔV <sub>OUT2</sub> / ΔI <sub>OUT</sub>	Load Regulation	V <sub>IN</sub> =V <sub>OUT2</sub> +1.0V 10μA ≤ I <sub>OUT</sub> ≤ 25mA V <sub>OUT2</sub> < 2.3 2.3 ≤ V <sub>OUT2</sub> < 3.0 V <sub>OUT2</sub> ≥ 3.0		15 25 35	40 50 65	mV
V <sub>DIF</sub>	Dropout Voltage	I <sub>OUT</sub> =50mA V <sub>OUT2</sub> < 1.8V V <sub>OUT2</sub> ≥ 1.8V		0.7 0.3		V
ΔV <sub>OUT2</sub> / ΔV <sub>IN</sub>	Line Regulation	2.8V ≤ V <sub>IN</sub> ≤ 5.5V I <sub>OUT</sub> =25mA V <sub>OUT2</sub> < 2.3V V <sub>OUT2</sub> ≥ 2.3V V <sub>OUT2</sub> +0.5V ≤ V <sub>IN</sub> ≤ 5.5V I <sub>OUT</sub> =25mA			0.2	%/V
RR	Ripple Rejection	Refer to Typical Characteristics				dB
ΔV <sub>OUT</sub> / ΔT <sub>opt</sub>	Output Voltage Temperature Coefficient	I <sub>OUT</sub> =30mA, -40°C ≤ T <sub>opt</sub> ≤ 85°C		±100		ppm/°C
I <sub>lim</sub>	Short Current Limit	V <sub>OUT</sub> =0V		60		mA
I <sub>PDC</sub>	CE pull-down current		0.12	0.40	0.70	μA
V <sub>CEH</sub>	CE "H" Input Voltage		1.0			V
V <sub>CEL</sub>	CE "L" Input Voltage		0		0.3	V

## TYPICAL APPLICATION



### Parts Recommendation

$C_{IN}$	10µF Ceramic Capacitor C2012JB0J106K (TDK)
$C_{OUT}$	10µF Ceramic Capacitor C2012JB0J106K (TDK)
L	4.7µH VLP5610T-4R7MR90 (TDK)

## External Components

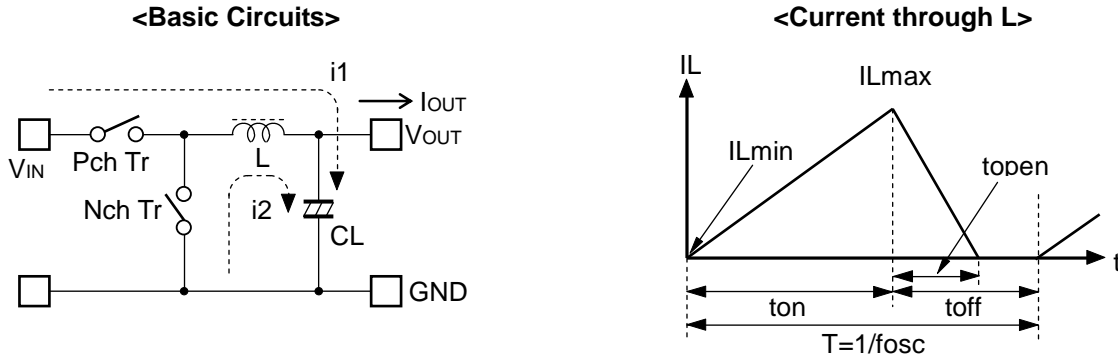
- Set external components such as an inductor,  $C_{IN}$ ,  $C_{OUT}$  as close as possible to the IC, in particular, minimize the wiring to  $V_{IN}$  pin and GND pin. If  $V_{DD}$  line or GND line's impedance is high, the internal voltage level of the IC may fluctuate and the operation may be unstable. Make GND line and  $V_{DD}$  line sufficient. Through the  $V_{DD}$  line, the GND line, the inductor, Lx pin, and  $V_{OUT}$  line, a large current caused by switching may flow, therefore, those lines should be sufficient and avoid the cross talk with other sensitive lines. Use the individual line from the  $V_{OUT}$  pin of the IC for the inductor and the capacitor and load.
- Use a low ESR ceramic capacitor  $C_{OUT}/C_{IN}$  with a capacity of 10µF or more.
- Select an inductor with an inductance range from 4.7µH to 10µH. The internal phase compensation is secured with these inductance values and  $C_{OUT}$  value. Choose the inductor with a low DC resistance and enough permissible current and hard to reach magnetic saturation. In terms of inductance value, choose the appropriate value with considering the conditions of the input voltage range and the output voltage, and load current. If the inductance value is too small and the load current is large, the peak current of Lx may reach the Lx current limit, and the protection against over-current may work.
- The protection circuit against over-current is affected by the self-heating and the heat radiation environment. Therefore evaluate under the considerable environment of the application.

The performance of power source circuits using these ICs extremely depends upon the peripheral circuits. Pay attention in the selection of the peripheral circuits. In particular, design the peripheral circuits in a way that the values such as voltage, current, and power of each component, PCB patterns and the IC do not exceed their respected rated values.

R5220x

## OPERATION of step-down DC/DC converter and Output Current

The step-down DC/DC converter charges energy in the inductor when Lx transistor is ON, and discharges the energy from the inductor when Lx transistor is OFF and controls with less energy loss, so that a lower output voltage than the input voltage is obtained. The operation will be explained with reference to the following diagrams:



- Step 1: P-channel Tr. turns on and current  $I_L (=i_1)$  flows, and energy is charged into CL. At this moment,  $I_L$  increases from  $I_{Lmin} (=0)$  to reach  $I_{Lmax}$  in proportion to the on-time period ( $t_{on}$ ) of P-channel Tr.
- Step 2: When P-channel Tr. turns off, Synchronous rectifier N-channel Tr. turns on in order that L maintains  $I_L$  at  $I_{Lmax}$ , and current  $I_L (=i_2)$  flows.
- Step 3:  $I_L (=i_2)$  decreases gradually and reaches  $I_L = I_{Lmin} = 0$  after a time period of  $t_{open}$ , and N-channel Tr. Turns off. Provided that in the continuous mode, next cycle starts before  $I_L$  becomes to 0 because  $t_{off}$  time is not enough. In this case,  $I_L$  value increases from this  $I_{Lmin} (>0)$ .

In the case of PWM control system, the output voltage is maintained by controlling the on-time period ( $t_{on}$ ), with the oscillator frequency ( $f_{osc}$ ) being maintained constant.

The maximum value ( $I_{Lmax}$ ) and the minimum value ( $I_{Lmin}$ ) of the current flowing through the inductor are the same as those when P-channel Tr. turns on and off.

The difference between  $I_{Lmax}$  and  $I_{Lmin}$ , which is represented by  $\Delta I$ ;

$$\Delta I = I_{Lmax} - I_{Lmin} = V_{OUT} \times t_{open} / L = (V_{IN} - V_{OUT}) \times t_{on} / L \dots \dots \dots \text{Equation 1}$$

wherein,  $T = 1 / f_{osc} = t_{on} + t_{off}$   
 duty (%) =  $t_{on} / T \times 100 = t_{on} \times f_{osc} \times 100$   
 $t_{open} \leq t_{off}$

In Equation 1,  $V_{OUT} \times t_{open} / L$  and  $(V_{IN} - V_{OUT}) \times t_{on} / L$  respectively show the change of the current at "ON", and the change of the current at "OFF".



## OUTPUT CURRENT AND SELECTION OF EXTERNAL COMPONENTS

When P-channel Tr. of L<sub>x</sub> is ON:

(Wherein, Ripple Current P-P value is described as I<sub>RP</sub>, ON resistance of P-channel Tr. and N-channel Tr. of L<sub>x</sub> are respectively described as R<sub>ONP</sub> and R<sub>ONN</sub>, and the DC resistor of the inductor is described as R<sub>L</sub>.)

$$V_{IN} = V_{OUT} + (R_{ONP} + R_L) \times I_{OUT} + L \times I_{RP} / t_{on} \dots \dots \dots \text{Equation 2}$$

When P-channel Tr. of L<sub>x</sub> is "OFF" (N-channel Tr. is "ON"):

$$L \times I_{RP} / t_{off} = R_{ONN} \times I_{OUT} + V_{OUT} + R_L \times I_{OUT} \dots \dots \dots \text{Equation 3}$$

Put Equation 3 to Equation 2 and solve for ON duty of P-channel transistor,  $t_{on} / (t_{off} + t_{on}) = D_{ON}$ ,

$$D_{ON} = (V_{OUT} - R_{ONN} \times I_{OUT} + R_L \times I_{OUT}) / (V_{IN} + R_{ONN} \times I_{OUT} - R_{ONP} \times I_{OUT}) \dots \dots \dots \text{Equation 4}$$

Ripple Current is as follows;

$$I_{RP} = (V_{IN} - V_{OUT} - R_{ONP} \times I_{OUT} - R_L \times I_{OUT}) \times D_{ON} / f_{osc} / L \dots \dots \dots \text{Equation 5}$$

wherein, peak current that flows through L, and L<sub>x</sub> Tr. is as follows;

$$I_{Lmax} = I_{OUT} + I_{RP} / 2 \dots \dots \dots \text{Equation 6}$$

Consider I<sub>Lmax</sub>, condition of input and output and select external components.

☆ The above explanation is directed to the calculation in an ideal case in continuous mode.

## TIMING CHART

### 1) IC start-up

The timing chart as shown in the next describes the operation starting the IC is enabled with CE. When the CE pin voltage becomes higher than the threshold voltage, the IC's operations starts. At first, only the voltage regulator (VR) starts. The threshold level of the CE pin is between CE "H" input voltage and CE "L" input voltage. After starting the operation, the output capacitor ( $C_{OUT}$ ) is charged with the output current of the VR, and the output level becomes the set VR output voltage. At this moment, the output of Lx is "off", ("Hi-Z"), the pin voltage,  $V_{LX}=V_{OUT}$  through the external inductor L.

Secondly, the Mode pin voltage is higher than the threshold voltage, internal operation of DC/DC starts. The threshold level is between Mode "H" input voltage and Mode "L" input voltage. The soft-start circuit inside the DC/DC converter's operation is as follows:

(Case 1) DC/DC output voltage < VR output voltage

After the soft-start time, while the output voltage level is down from the VR output voltage to DC/DC output voltage, the circuit is waiting for the start of DC/DC operation. When the output voltage reaches so set DC/DC output voltage level, the actual DC/DC operation starts.

(Case 2) DC/DC output voltage > VR output voltage

The soft-start circuit of DC/DC converter makes the voltage reference unit of the IC rise gradually and be constant. After the voltage reference unit reaches the constant level which the output voltage of DC/DC converter can balance becomes the output voltage of VR, the set output voltage of DC/DC converter may be realized.

Therefore, the soft-start time means the time range of starting to the time when the voltage reference unit reaches the constant level, and the soft-start time is different from turning on speed in some cases. The operation starting time depends on the ability of the power supply, the load current, the inductance value, the capacitance value, and the voltage difference between the set VR output and the set DC/DC output.

If CE and Mode are on at once, the same operation as above is happened except the VR start-up and Soft-start operation start at the same time.

If Mode signal is forced earlier than CE signal, this IC is stand-by until CE signal comes. Therefore when the CE signal is set, the IC operation starts as above.

#### • $V_{OUT}$ voltage rising speed at start-up with power supply is affected by the next conditions:

- 1.The turning on speed of  $V_{IN}$  voltage limited by the power supply to the IC and the input capacitor  $C_{IN}$ .
- 2.The output capacitor,  $C_{OUT}$  value and load current.

#### • DC/DC operation starting time

- 1.If the VR output  $\geq$  DC/DC output, the operation starting time of the DC/DC converter is approximately equal to the next formula.

$$T_{DC/DC\_ACT} = T_{SS} + (V_{OUT\_VR} - V_{OUT\_DC/DC} + 15mV) \times C_{OUT} / (\text{load current at mode change} + 1\mu A)$$

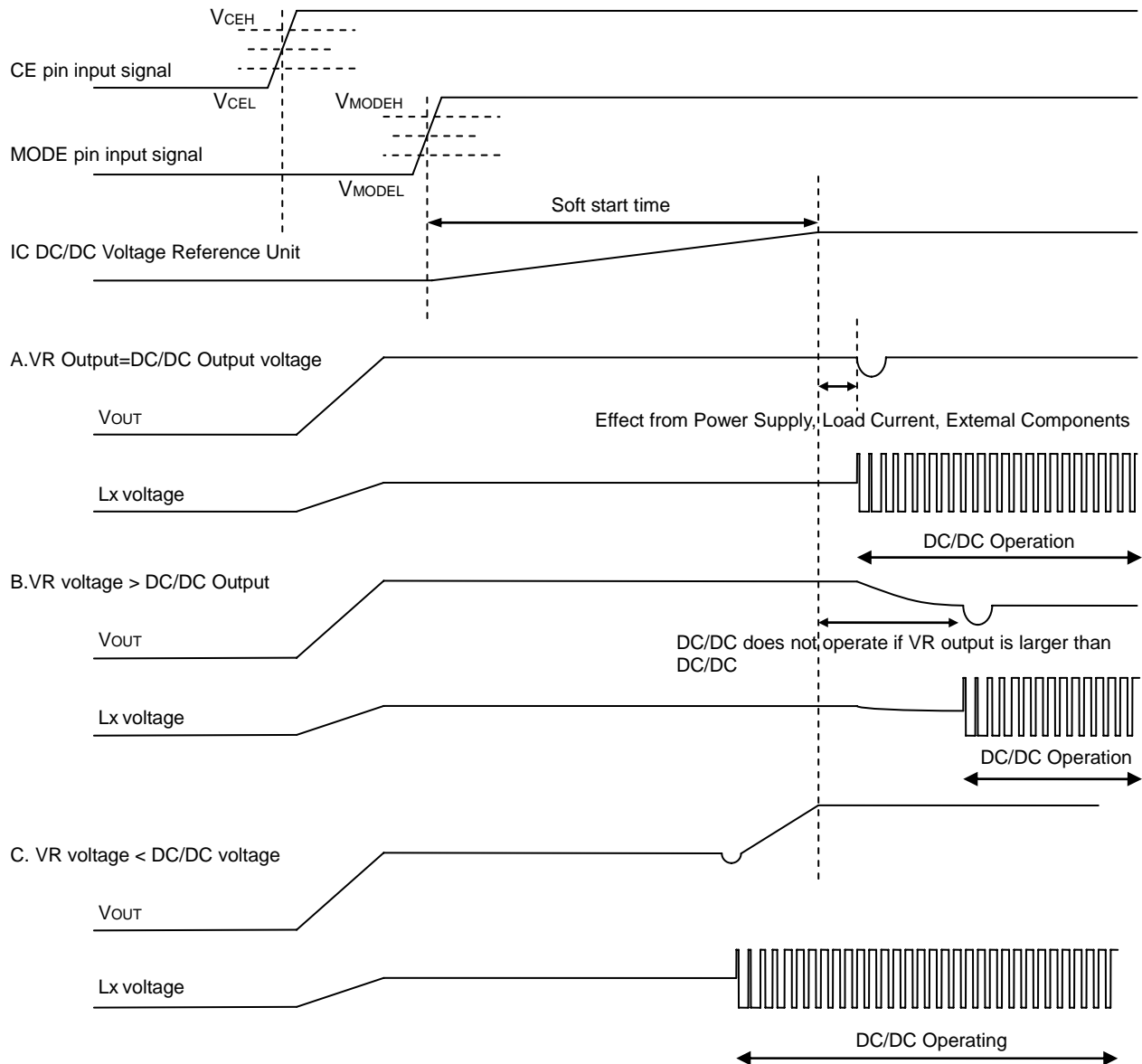
$T_{SS}$ : Soft-start time

$V_{OUT\_VR}$ : VR output voltage

$V_{OUT\_DC/DC}$ : DC/DC Output Voltage

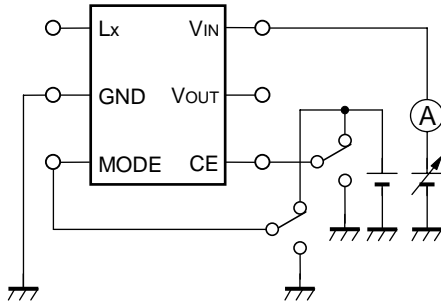
\* $1\mu A$  is the supply current of the IC itself for the output.

- 2.If the VR output < DC/DC output, the operation starting time is the soft-start time + starting operation time which depends on the power supply, the load current, and the external components.

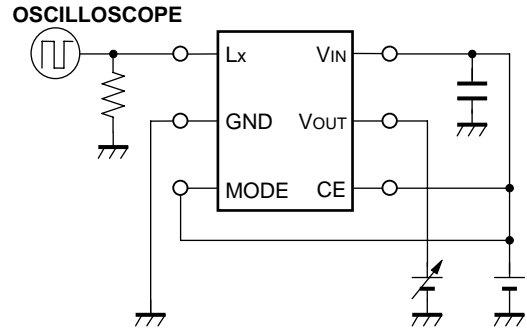


If CE pin input signal is forced earlier than the supply voltage, the voltage difference between the input and the output which is according to the input voltage to  $V_{IN}$ , is maintained and the  $V_{OUT}$  is rising up.

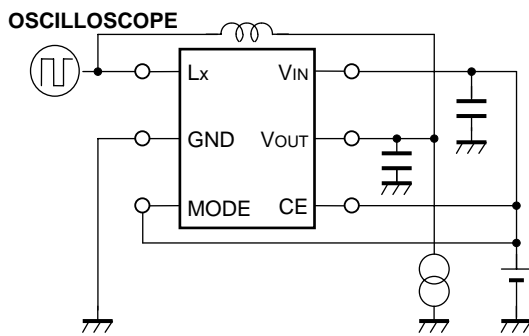
## TEST CIRCUITS



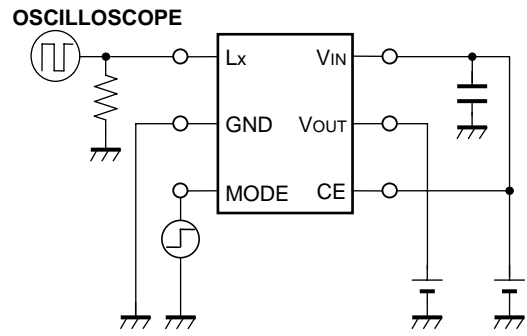
Supply Current 1,2,3



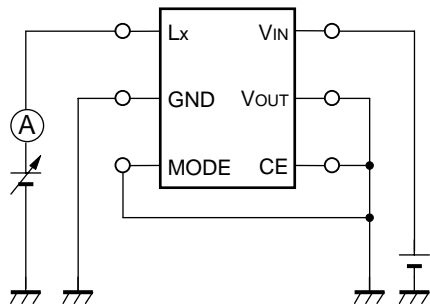
Output Voltage(DC/DC)



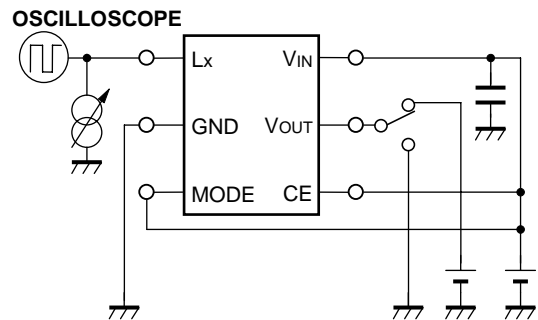
Oscillator Frequency



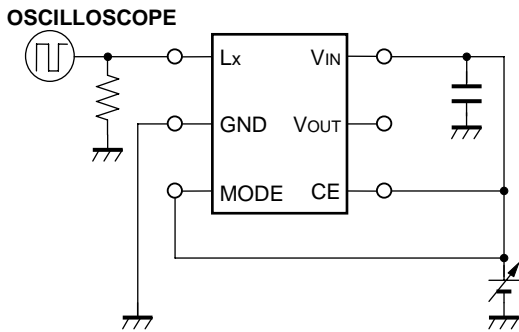
Soft-start Time



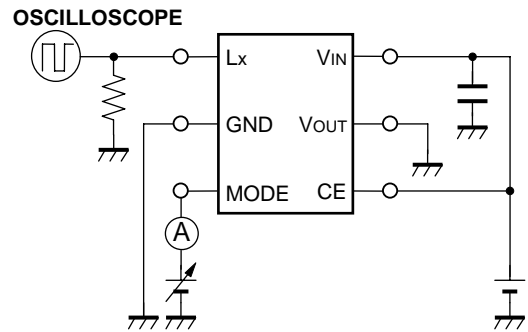
Lx Leakage Current



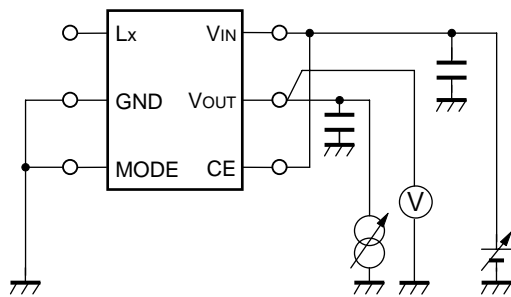
Lx Current Limit, Output Delay for Protection  
Lx Pch transistor ON resistance  
Nch transistor ON resistance



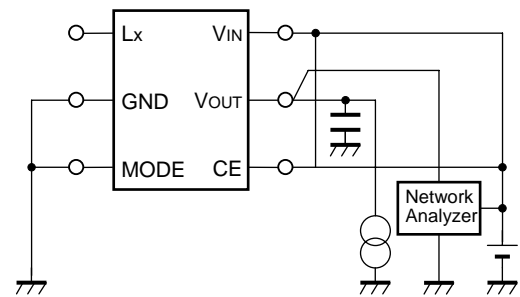
UVLO Detector Threshold UVLO Release Voltage



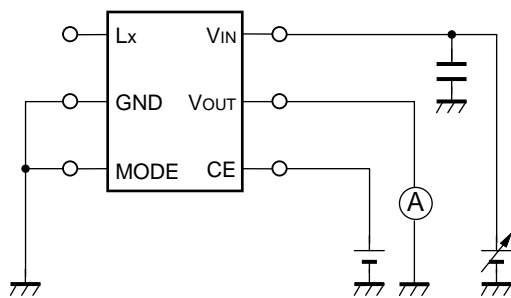
MODE Input Voltage "H", "L" Input Current



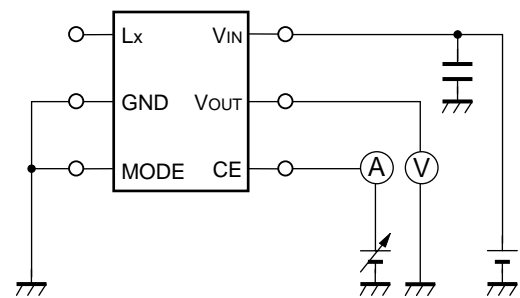
Output Voltage (VR), Load Regulation  
Line Regulation, Dropout Voltage



(J) Ripple Rejection



Short Current Limit



CE="H"/"L" Input Voltage/ Input Current

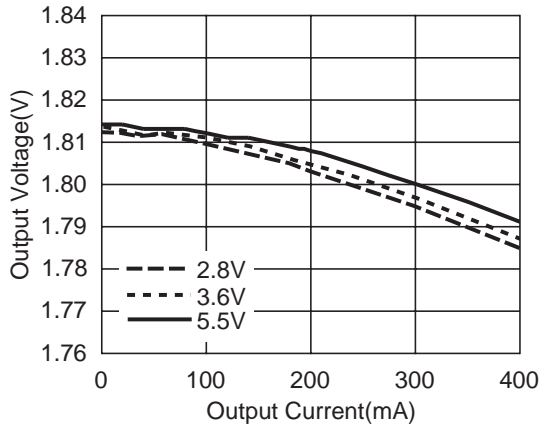
**R5220x**

**TYPICAL CHARACTERISTICS**

**1) DC/DC Converter**

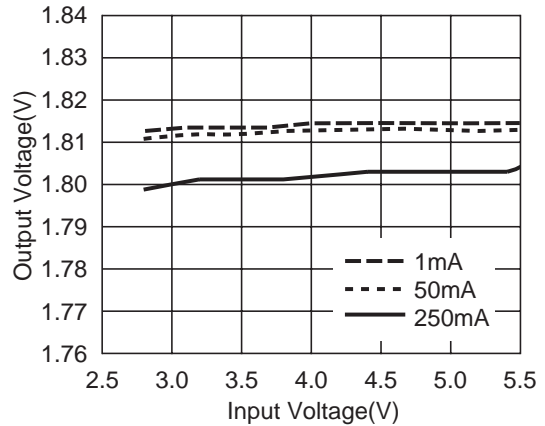
1-1) DC/DC Output Voltage vs. Output Current

**R5220x181A**



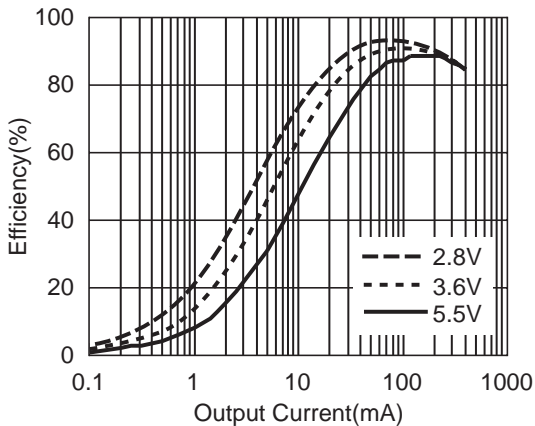
1-2) DC/DC Output Voltage vs. Input Voltage

**R5220x181A**



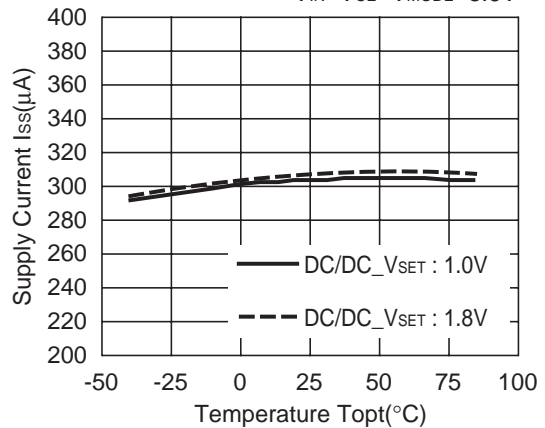
1-3) DC/DC Efficiency vs. Output Current

**R5220x181A**



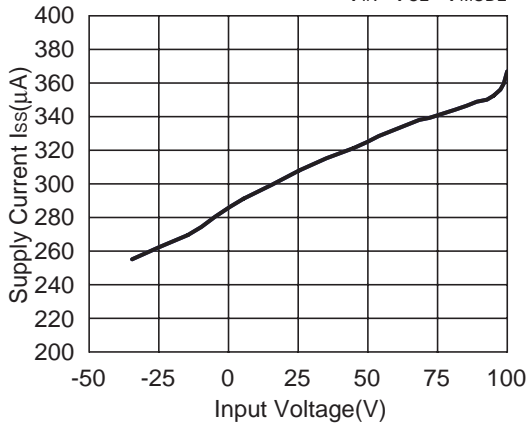
1-4) DC/DC Supply Current vs. Temperature

$V_{IN}=V_{CE}=V_{MODE}=3.6V$



1-5) DC/DC Supply Current vs. Input Voltage

$V_{IN}=V_{CE}=V_{MODE}$

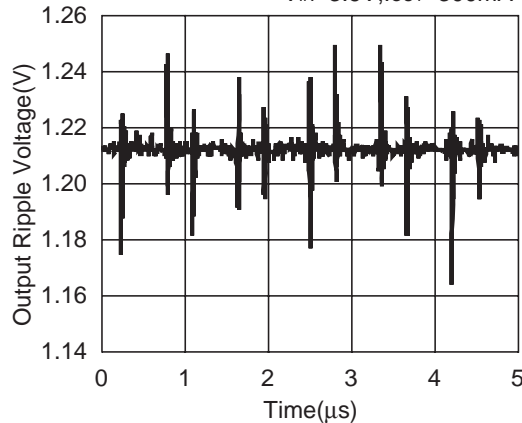


1-6) DC/DC Output Waveform

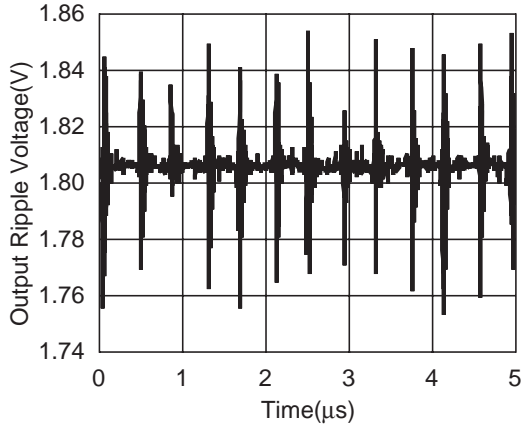
**R5220x121A**

$C_{IN}=C_{OUT}=\text{Ceramic } 10\mu F, L=4.7\mu H$

$V_{IN}=3.6V, I_{OUT}=300mA$

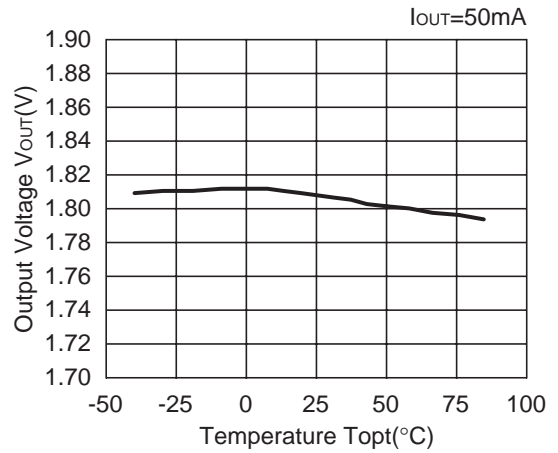


R5220x181A

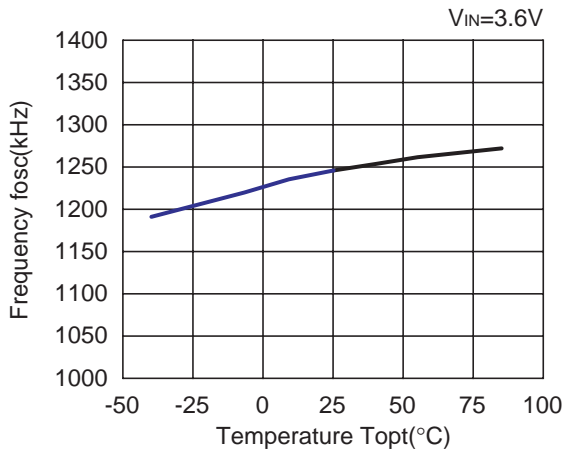


1-7) DC/DC Output Voltage vs. Temperature

R5220x181A

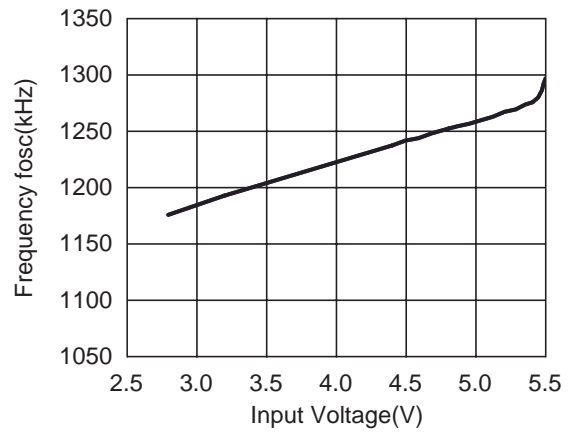


1-8) DC/DC Oscillator Frequency vs. Temperature

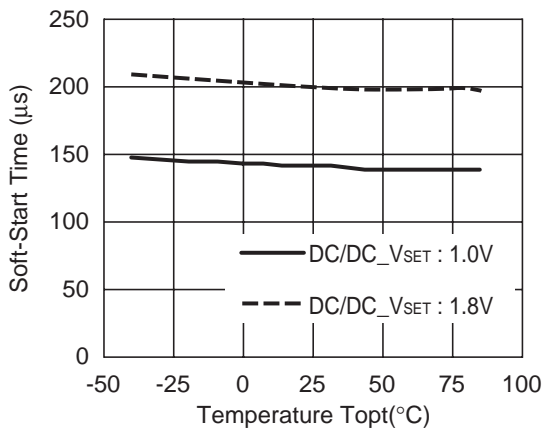


1-9) DC/DC Oscillator Frequency vs. Input Voltage

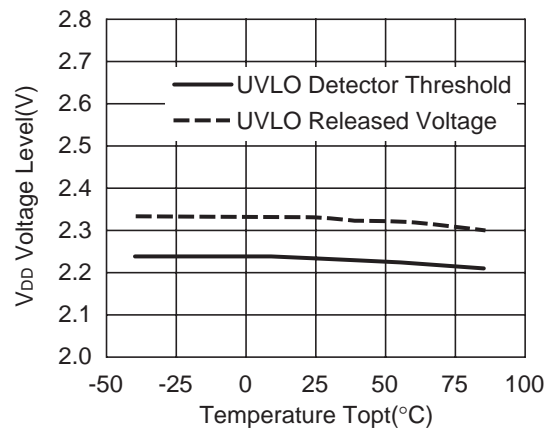
R5220x181A



1-10) Soft-start time vs. Temperature

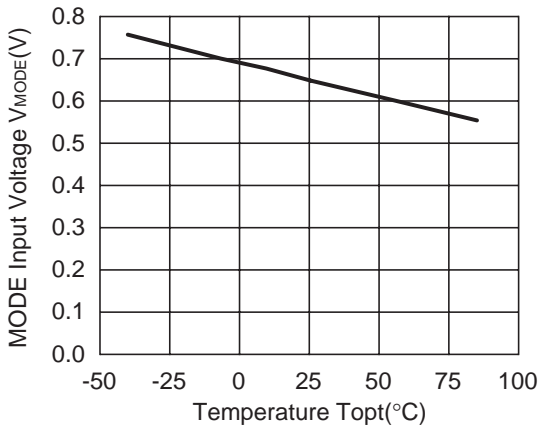


1-11) UVLO Detector Threshold/ Released Voltage vs. Temperature

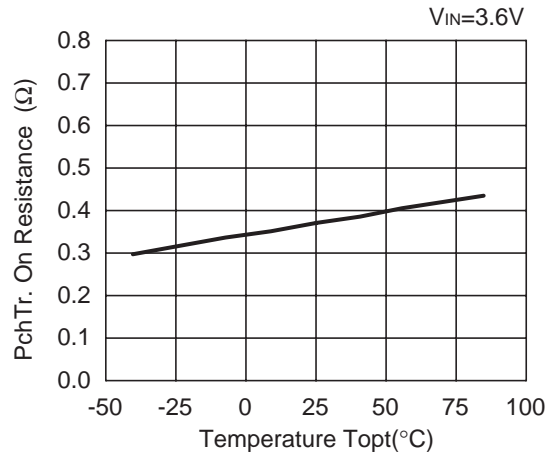


**R5220x**

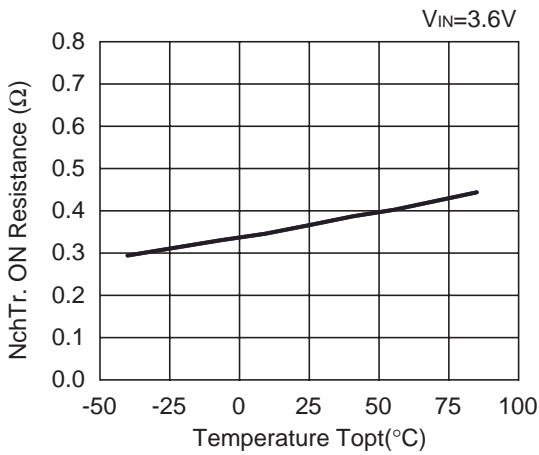
1-12) MODE Input Voltage vs. temperature



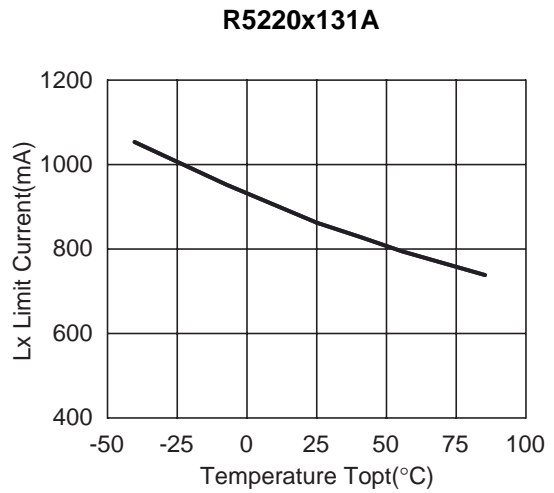
1-13) Pch Transistor On Resistance vs. Temperature



1-14) Nch Transistor On Resistance vs. Temperature

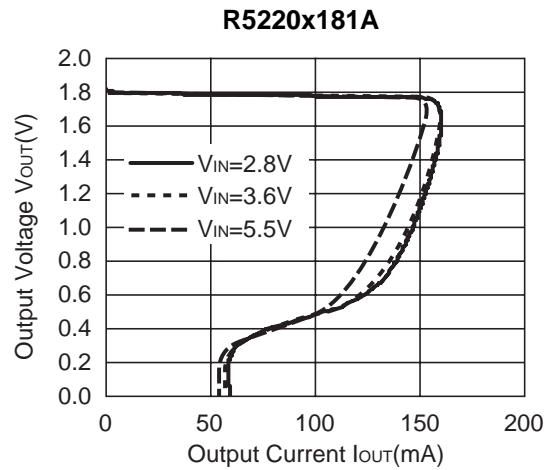
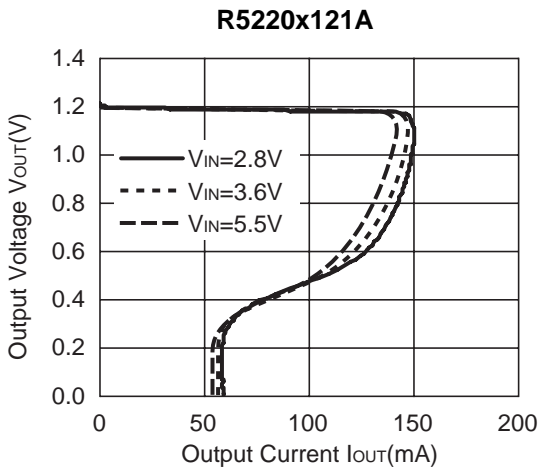


1-15) DC/DC Lx Current Limit vs. Temperature



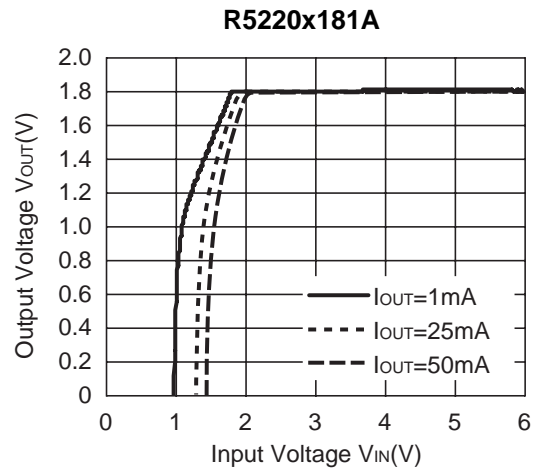
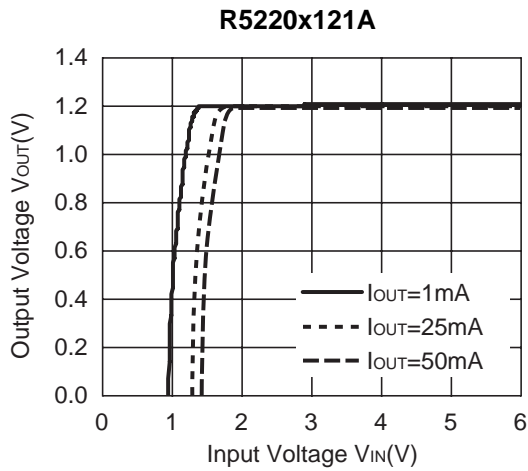
**2) VR**

2-1) VR Output Voltage vs. Output Current

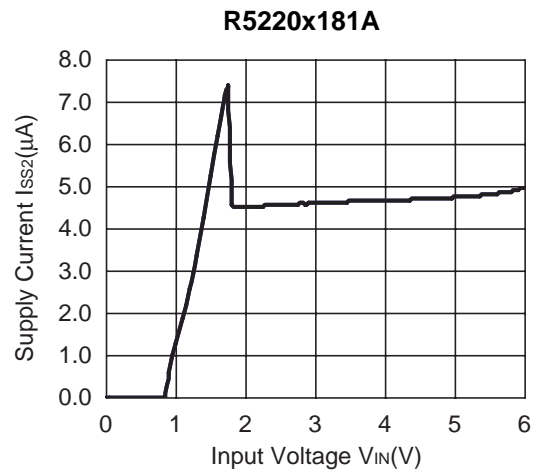
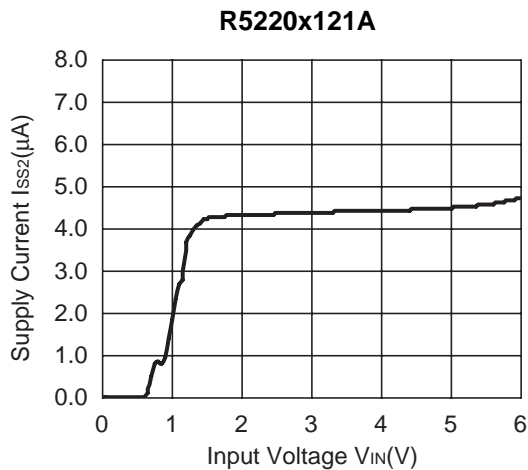




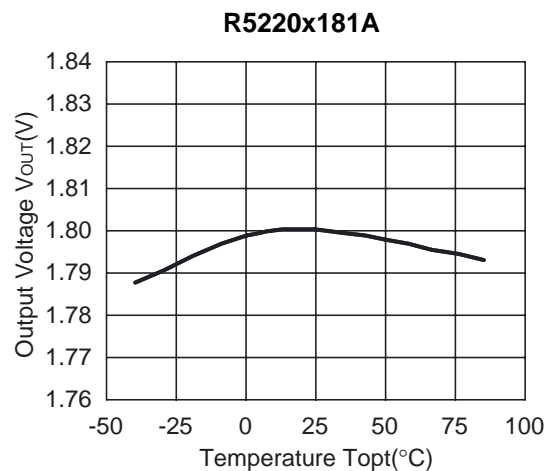
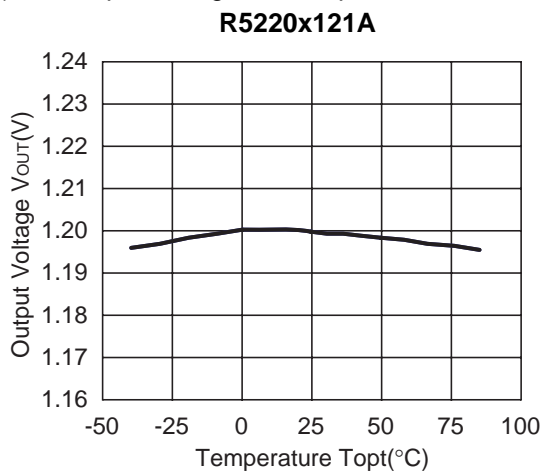
2-2) VR Output Voltage vs. Input Voltage



2-3) VR Supply Current vs. Input Voltage

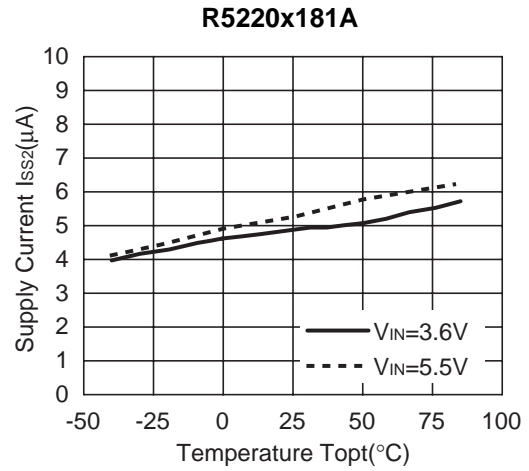
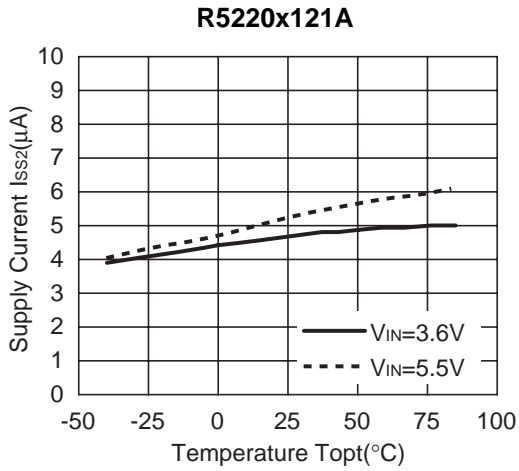


2-4) VR Output Voltage vs. Temperature

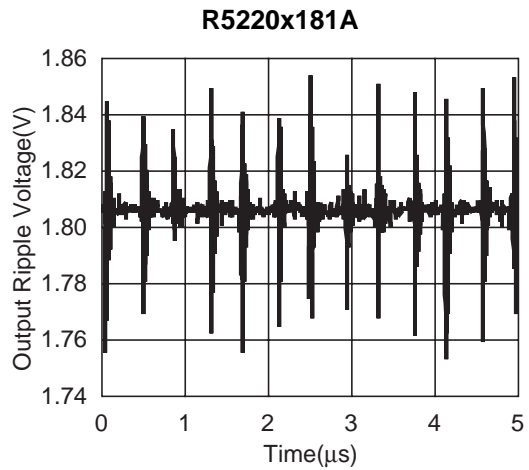
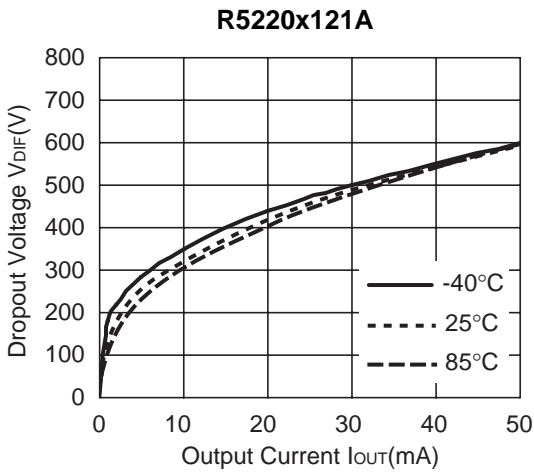


**R5220x**

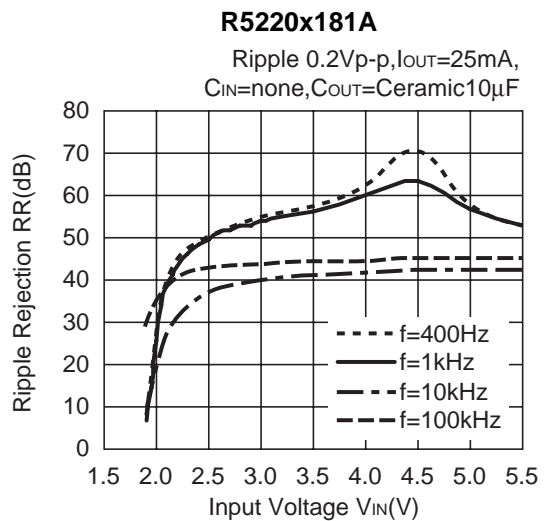
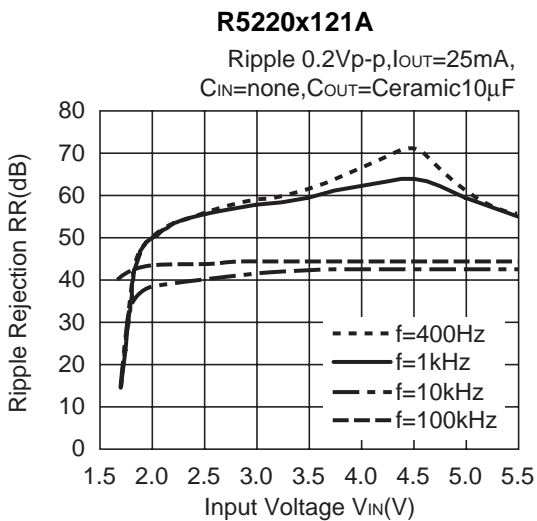
2-5) VR Supply Current vs. Temperature



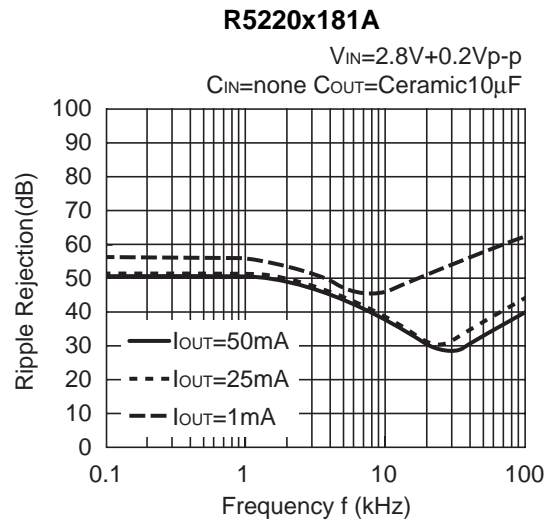
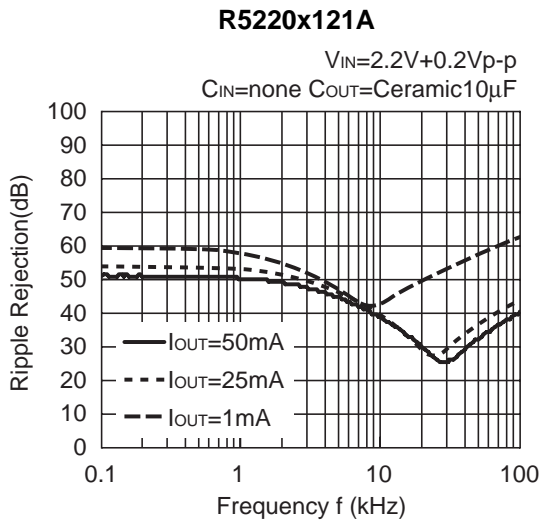
2-6) Dropout Voltage vs. Output Current



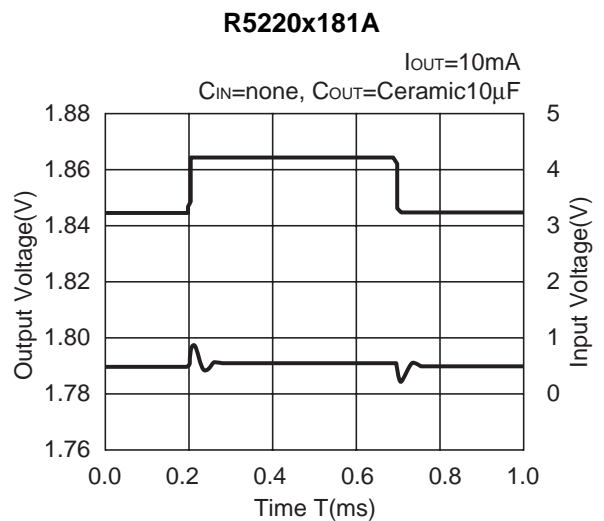
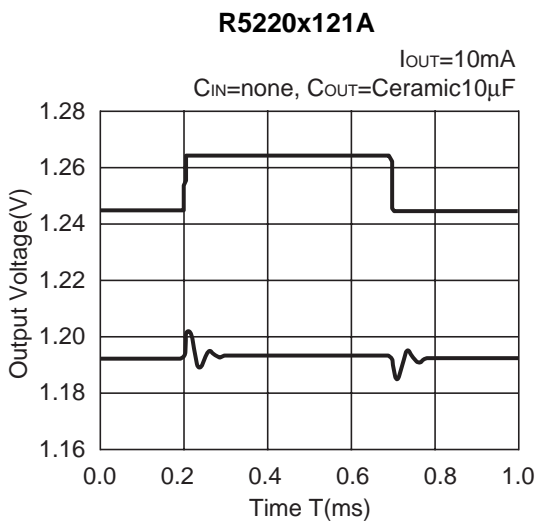
2-7) Ripple Rejection vs. Input Voltage



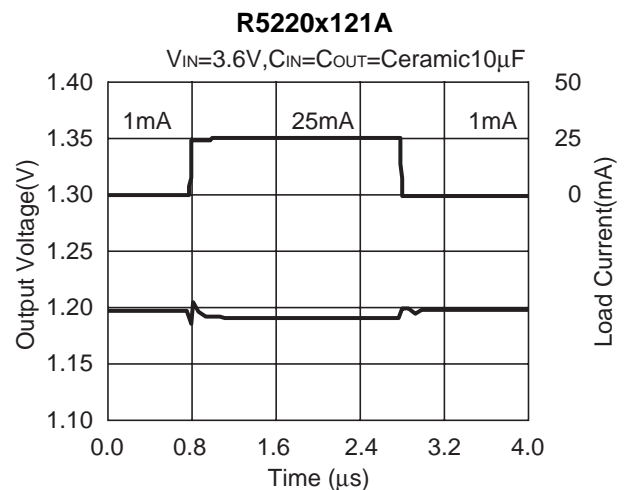
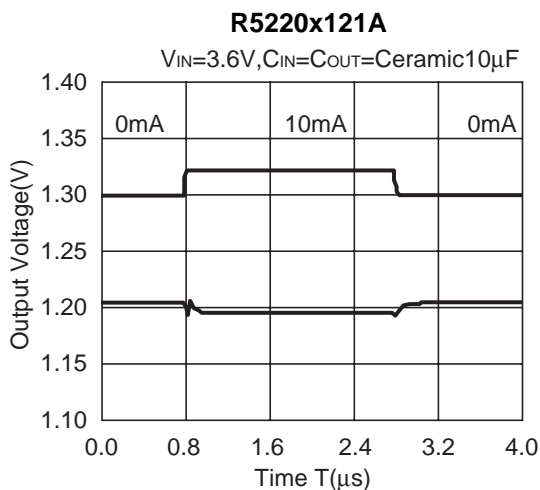
2-8) VR Ripple Rejection vs. Frequency



2-9) Input Transient Response

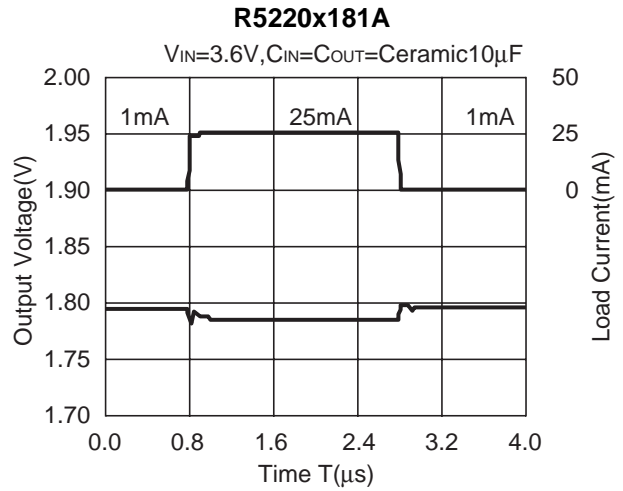
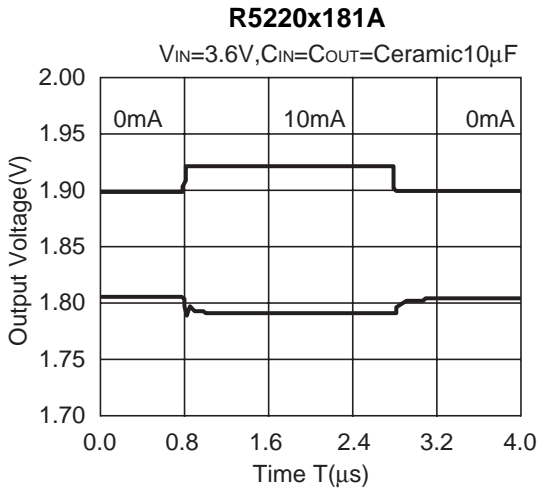


2-10) Load Transient Response



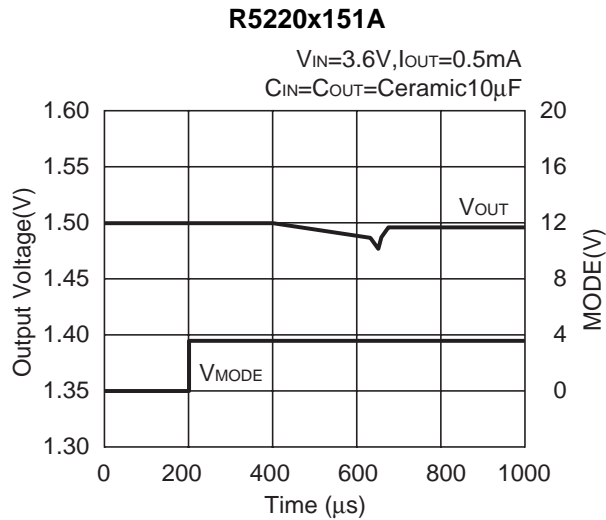
\* R5220D (SON-6) is the non-promotion product. As of March in 2014.

**R5220x**

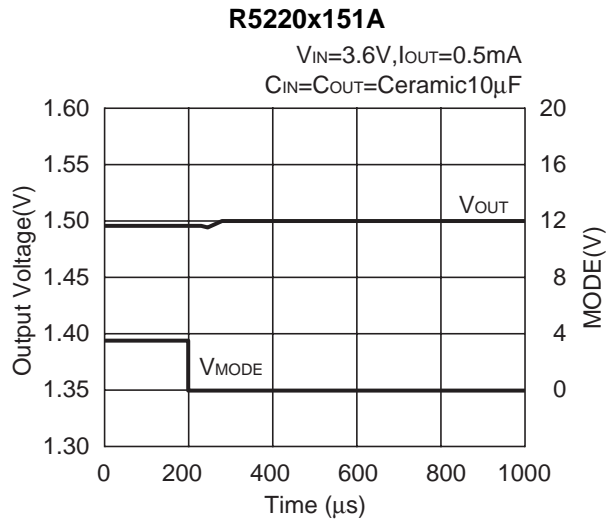


**3) Mode Transient Response between VR and DC/DC**

3-1) VR to DC/DC Mode Transient Response



3-2) DC/DC to VR Mode Transient Response





1. The products and the product specifications described in this document are subject to change or discontinuation of production without notice for reasons such as improvement. Therefore, before deciding to use the products, please refer to Ricoh sales representatives for the latest information thereon.
2. The materials in this document may not be copied or otherwise reproduced in whole or in part without prior written consent of Ricoh.
3. Please be sure to take any necessary formalities under relevant laws or regulations before exporting or otherwise taking out of your country the products or the technical information described herein.
4. The technical information described in this document shows typical characteristics of and example application circuits for the products. The release of such information is not to be construed as a warranty of or a grant of license under Ricoh's or any third party's intellectual property rights or any other rights.
5. The products listed in this document are intended and designed for use as general electronic components in standard applications (office equipment, telecommunication equipment, measuring instruments, consumer electronic products, amusement equipment etc.). Those customers intending to use a product in an application requiring extreme quality and reliability, for example, in a highly specific application where the failure or misoperation of the product could result in human injury or death (aircraft, spacevehicle, nuclear reactor control system, traffic control system, automotive and transportation equipment, combustion equipment, safety devices, life support system etc.) should first contact us.
6. We are making our continuous effort to improve the quality and reliability of our products, but semiconductor products are likely to fail with certain probability. In order to prevent any injury to persons or damages to property resulting from such failure, customers should be careful enough to incorporate safety measures in their design, such as redundancy feature, fire containment feature and fail-safe feature. We do not assume any liability or responsibility for any loss or damage arising from misuse or inappropriate use of the products.
7. Anti-radiation design is not implemented in the products described in this document.
8. Please contact Ricoh sales representatives should you have any questions or comments concerning the products or the technical information.



**Ricoh is committed to reducing the environmental loading materials in electrical devices with a view to contributing to the protection of human health and the environment.**

Ricoh has been providing RoHS compliant products since April 1, 2006 and Halogen-free products since April 1, 2012.

**RICOH** RICOH ELECTRONIC DEVICES CO., LTD.

<http://www.e-devices.ricoh.co.jp/en/>

#### Sales & Support Offices

##### **RICOH ELECTRONIC DEVICES CO., LTD.**

**Higashi-Shinagawa Office (International Sales)**  
3-32-3, Higashi-Shinagawa, Shinagawa-ku, Tokyo 140-8655, Japan  
Phone: +81-3-5479-2857 Fax: +81-3-5479-0502

##### **RICOH EUROPE (NETHERLANDS) B.V.**

**Semiconductor Support Centre**  
Prof. W.H. Keesomlaan 1, 1183 DJ Amstelveen, The Netherlands  
Phone: +31-20-5474-309

##### **RICOH ELECTRONIC DEVICES KOREA CO., LTD.**

3F, Haesung Bldg. 504, Teheran-ro, Gangnam-gu, Seoul, 135-725, Korea  
Phone: +82-2-2135-5700 Fax: +82-2-2051-5713

##### **RICOH ELECTRONIC DEVICES SHANGHAI CO., LTD.**

Room 403, No.2 Building, No.690 Bilbo Road, Pu Dong New District, Shanghai 201203,  
People's Republic of China  
Phone: +86-21-5027-3200 Fax: +86-21-5027-3299

##### **RICOH ELECTRONIC DEVICES CO., LTD.**

**Taipei office**  
Room 109, 10F-1, No.51, Hengyang Rd., Taipei City, Taiwan (R.O.C.)  
Phone: +886-2-2313-1621/1622 Fax: +886-2-2313-1623

# Mouser Electronics

Authorized Distributor

Click to View Pricing, Inventory, Delivery & Lifecycle Information:

[Ricoh Electronics:](#)

[R5220K052B-TR](#)

Компания «Океан Электроники» предлагает заключение долгосрочных отношений при поставках импортных электронных компонентов на взаимовыгодных условиях!

Наши преимущества:

- Поставка оригинальных импортных электронных компонентов напрямую с производств Америки, Европы и Азии, а так же с крупнейших складов мира;
- Широкая линейка поставок активных и пассивных импортных электронных компонентов (более 30 млн. наименований);
- Поставка сложных, дефицитных, либо снятых с производства позиций;
- Оперативные сроки поставки под заказ (от 5 рабочих дней);
- Экспресс доставка в любую точку России;
- Помощь Конструкторского Отдела и консультации квалифицированных инженеров;
- Техническая поддержка проекта, помощь в подборе аналогов, поставка прототипов;
- Поставка электронных компонентов под контролем ВП;
- Система менеджмента качества сертифицирована по Международному стандарту ISO 9001;
- При необходимости вся продукция военного и аэрокосмического назначения проходит испытания и сертификацию в лаборатории (по согласованию с заказчиком);
- Поставка специализированных компонентов военного и аэрокосмического уровня качества (Xilinx, Altera, Analog Devices, Intersil, Interpoint, Microsemi, Actel, Aeroflex, Peregrine, VPT, Syfer, Eurofarad, Texas Instruments, MS Kennedy, Miteq, Cobham, E2V, MA-COM, Hittite, Mini-Circuits, General Dynamics и др.);

Компания «Океан Электроники» является официальным дистрибьютором и эксклюзивным представителем в России одного из крупнейших производителей разъемов военного и аэрокосмического назначения «JONHON», а так же официальным дистрибьютором и эксклюзивным представителем в России производителя высокотехнологичных и надежных решений для передачи СВЧ сигналов «FORSTAR».



## JONHON

«JONHON» (основан в 1970 г.)

Разъемы специального, военного и аэрокосмического назначения:

(Применяются в военной, авиационной, аэрокосмической, морской, железнодорожной, горно- и нефтедобывающей отраслях промышленности)

«FORSTAR» (основан в 1998 г.)

ВЧ соединители, коаксиальные кабели, кабельные сборки и микроволновые компоненты:

(Применяются в телекоммуникациях гражданского и специального назначения, в средствах связи, РЛС, а так же военной, авиационной и аэрокосмической отраслях промышленности).



Телефон: 8 (812) 309-75-97 (многоканальный)

Факс: 8 (812) 320-03-32

Электронная почта: [ocean@oceanchips.ru](mailto:ocean@oceanchips.ru)

Web: <http://oceanchips.ru/>

Адрес: 198099, г. Санкт-Петербург, ул. Калинина, д. 2, корп. 4, лит. А