



# Precision Linear Transducers, Conductive Plastic, up to 450 mm



### FEATURES

- Measurement range 25 mm to 450 mm
- High accuracy  $\pm 1\%$  down to  $\pm 0.025\%$
- Essentially infinite resolution
- Long life
- Sealed on request
- Material categorization: for definitions of compliance please see [www.vishay.com/doc?99912](http://www.vishay.com/doc?99912)



RoHS COMPLIANT

The 34 L is a compact, accurate and adaptable motion transducer for both industrial and military markets.

### QUICK REFERENCE DATA

Sensor type	LINEAR, conductive plastic
Output type	Wires
Market appliance	Professional
Dimensions	L x 19 mm dia. (with L = TET + 63 mm)

### ELECTRICAL SPECIFICATIONS

Theoretical electrical travel (TET = E) in increments of 25 mm	25 mm 450 mm
Independent linearity (over TET) On request	$\leq \pm 1\%$ - $\leq \pm 0.1\%$ $\leq \pm 0.05\%$ for $E \geq 100$ mm $\leq \pm 0.025\%$ for $E \geq 200$ mm
Actual electrical travel (AET)	See table 1
Ohmic values ( $R_T$ )	From 400 $\Omega$ /cm to 2 k $\Omega$ /cm
Resistance tolerance at 20 °C	$\pm 20\%$
Repeatability	$\leq 0.01\%$
Maximum power rating	0.05 W/cm at 70 °C, 0 W at 125 °C
Wiper current	Recommended: a few $\mu$ A - 1 mA max. (continuous)
Load resistance	Minimum $10^3 \times R_T$
Number of tracks	1; on request 2
Insulation resistance	$\geq 1000$ M $\Omega$ , 500 V <sub>DC</sub>
Dielectric strength	$\geq 750$ V <sub>RMS</sub> , 50 Hz

### MECHANICAL SPECIFICATIONS

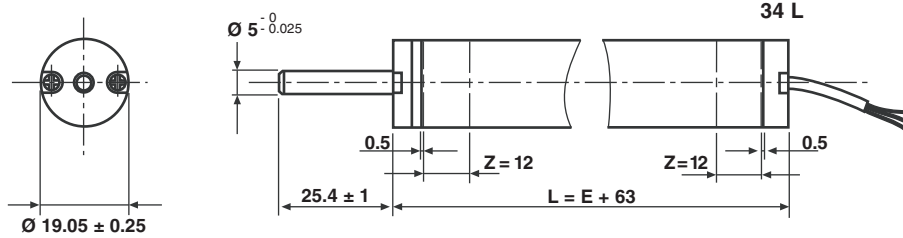
Mechanical travel	TET + 2 mm min.	
Housing	Anodized aluminum	
Operating force On Request	0.35 N typical (standard model)	2.50 N typical (sealed model)
Shaft (free rotation)	Stainless steel	
Termination On request	3 wires PTFE AWG-30 L = 300 mm cable or connector	
Wiper	Precious metal multifinger	
Sealing	IP65 on request	

### PERFORMANCE

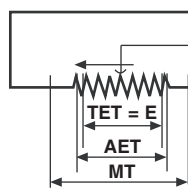
Operating life	25 million cycles typical/1 Hz/T° = 20 °C $\pm$ 5 °C/80 % TET
Temperature range	-55 °C to +125 °C
Sine vibration on 3 axes	1.5 mm peak to peak or 15 g - 10 Hz - 2000 Hz
Mechanical shocks on 3 axes	50 g - 11 ms - half sine

#### Note

- Nothing stated herein shall be construed as a guarantee of quality or durability.

**STANDARD MODEL DIMENSIONS** in millimeters, general tolerance  $\pm 1$  mm


Z = TIGHTENING ZONE

**ELECTRICAL CONNECTIONS**


TERMINALS	WIRE	CABLE
3 ALIM. (+):	GREEN	BLUE
2 WIPER:	RED	RED
1 ALIM. (-):	YELLOW	WHITE

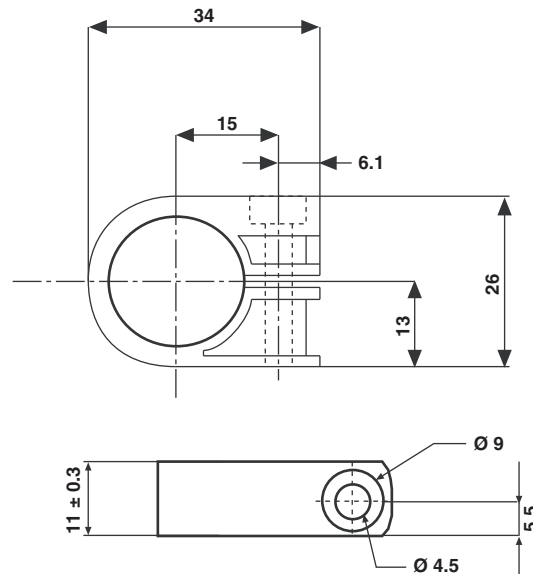
TET = THEORETICAL ELECTRICAL TRAVEL  
 AET = ACTUAL ELECTRICAL TRAVEL  
 MT = MECHANICAL TRAVEL

TET = E	AET	TOL.
25 mm to 275 mm	E + 1 mm	$\pm 0.5$ mm
300 mm to 450 mm	E + 1 mm	$\pm 0.8$ mm

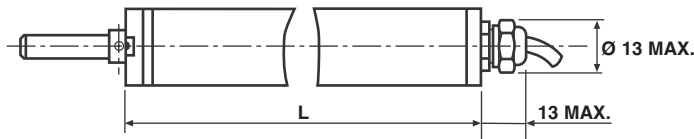
**ACCESSORIES ON REQUEST - DIMENSIONS** in millimeters, general tolerance  $\pm 3$  mm

Clamp for 34L

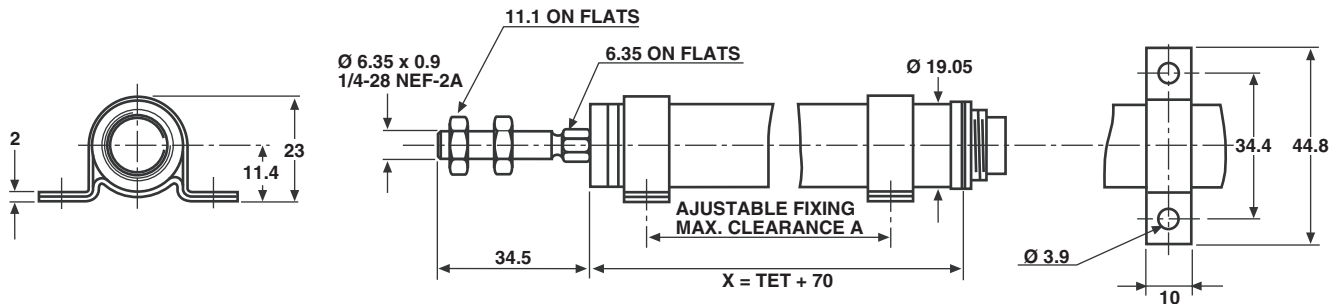
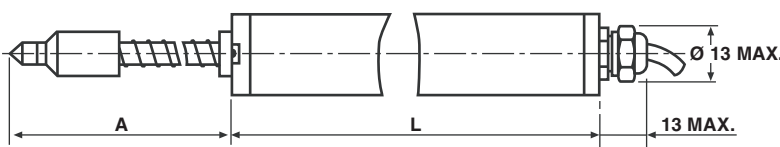
Vishay Reference: CQ00051



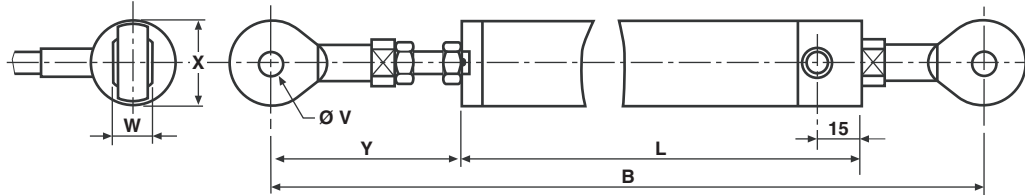
**OPTIONS - DIMENSIONS** in millimeters, general tolerance  $\pm 1$  mm

**OPTION 1: SEALED (IP65): W03280**


MODEL	CODE	L
34 L	W03280	TET + 83.5

**OPTION 2: DELIVERED WITH CLAMPS AND BINDER CONNECTOR 680: W05013**

**OPTION 3: SPRING LOADED SHAFT; OUTPUT BY SHIELDED CABLE: W01744**


MODEL	CODE	A	L
34 L1	W01744	61.4	TET + 119.5
34 L2	W01744	93.6	
34 L3	W01744	125.8	
34 L4	W01744	158	

**OPTION 4: DOUBLE BALL JOINT: W03263**


MODEL CODE	B	L	Ø V	W	X	Y	TET
34 L W03263 L1 to L5	TET + 151.6	TET + 82.8	5	8	18	42 ± 2	25 to 125
L6 to L10	TET + 173.6	TET + 104.8	5	8	18	42 ± 2	150 to 250
L11 to L12	TET + 230	TET + 161.2	5	8	18	42 ± 2	275 to 300

**ORDERING INFORMATION/DESCRIPTION**

REC	34	L	3	D	103	W...	e.
SERIES	MODEL	NUMBER OF TRACKS	THEORETICAL ELECTRICAL TRAVEL	LINEARITY	OHMIC VALUE	MODIFICATIONS	LEAD FINISH
		L = 1 track LL = 2 tracks	Times 25 mm	A: $\pm 1$ % D: $\pm 0.1$ % E: $\pm 0.05$ % F: $\pm 0.025$ %	First 2 digits are significant numbers 3 <sup>rd</sup> digit indicates number of zeros	Special feature code number	

**SAP PART NUMBERING GUIDELINES**

RE	34 L	3	D	103	W....
SERIES	MODEL	TET	LINEARITY	OHMIC VALUE	SPECIAL FEATURES



## Disclaimer

ALL PRODUCT, PRODUCT SPECIFICATIONS AND DATA ARE SUBJECT TO CHANGE WITHOUT NOTICE TO IMPROVE RELIABILITY, FUNCTION OR DESIGN OR OTHERWISE.

Vishay Intertechnology, Inc., its affiliates, agents, and employees, and all persons acting on its or their behalf (collectively, "Vishay"), disclaim any and all liability for any errors, inaccuracies or incompleteness contained in any datasheet or in any other disclosure relating to any product.

Vishay makes no warranty, representation or guarantee regarding the suitability of the products for any particular purpose or the continuing production of any product. To the maximum extent permitted by applicable law, Vishay disclaims (i) any and all liability arising out of the application or use of any product, (ii) any and all liability, including without limitation special, consequential or incidental damages, and (iii) any and all implied warranties, including warranties of fitness for particular purpose, non-infringement and merchantability.

Statements regarding the suitability of products for certain types of applications are based on Vishay's knowledge of typical requirements that are often placed on Vishay products in generic applications. Such statements are not binding statements about the suitability of products for a particular application. It is the customer's responsibility to validate that a particular product with the properties described in the product specification is suitable for use in a particular application. Parameters provided in datasheets and/or specifications may vary in different applications and performance may vary over time. All operating parameters, including typical parameters, must be validated for each customer application by the customer's technical experts. Product specifications do not expand or otherwise modify Vishay's terms and conditions of purchase, including but not limited to the warranty expressed therein.

Except as expressly indicated in writing, Vishay products are not designed for use in medical, life-saving, or life-sustaining applications or for any other application in which the failure of the Vishay product could result in personal injury or death. Customers using or selling Vishay products not expressly indicated for use in such applications do so at their own risk. Please contact authorized Vishay personnel to obtain written terms and conditions regarding products designed for such applications.

No license, express or implied, by estoppel or otherwise, to any intellectual property rights is granted by this document or by any conduct of Vishay. Product names and markings noted herein may be trademarks of their respective owners.

## Material Category Policy

**Vishay Intertechnology, Inc. hereby certifies that all its products that are identified as RoHS-Compliant fulfill the definitions and restrictions defined under Directive 2011/65/EU of The European Parliament and of the Council of June 8, 2011 on the restriction of the use of certain hazardous substances in electrical and electronic equipment (EEE) - recast, unless otherwise specified as non-compliant.**

**Please note that some Vishay documentation may still make reference to RoHS Directive 2002/95/EC. We confirm that all the products identified as being compliant to Directive 2002/95/EC conform to Directive 2011/65/EU.**

**Vishay Intertechnology, Inc. hereby certifies that all its products that are identified as Halogen-Free follow Halogen-Free requirements as per JEDEC JS709A standards. Please note that some Vishay documentation may still make reference to the IEC 61249-2-21 definition. We confirm that all the products identified as being compliant to IEC 61249-2-21 conform to JEDEC JS709A standards.**

Компания «Океан Электроники» предлагает заключение долгосрочных отношений при поставках импортных электронных компонентов на взаимовыгодных условиях!

Наши преимущества:

- Поставка оригинальных импортных электронных компонентов напрямую с производств Америки, Европы и Азии, а так же с крупнейших складов мира;
- Широкая линейка поставок активных и пассивных импортных электронных компонентов (более 30 млн. наименований);
- Поставка сложных, дефицитных, либо снятых с производства позиций;
- Оперативные сроки поставки под заказ (от 5 рабочих дней);
- Экспресс доставка в любую точку России;
- Помощь Конструкторского Отдела и консультации квалифицированных инженеров;
- Техническая поддержка проекта, помощь в подборе аналогов, поставка прототипов;
- Поставка электронных компонентов под контролем ВП;
- Система менеджмента качества сертифицирована по Международному стандарту ISO 9001;
- При необходимости вся продукция военного и аэрокосмического назначения проходит испытания и сертификацию в лаборатории (по согласованию с заказчиком);
- Поставка специализированных компонентов военного и аэрокосмического уровня качества (Xilinx, Altera, Analog Devices, Intersil, Interpoint, Microsemi, Actel, Aeroflex, Peregrine, VPT, Syfer, Eurofarad, Texas Instruments, MS Kennedy, Miteq, Cobham, E2V, MA-COM, Hittite, Mini-Circuits, General Dynamics и др.);

Компания «Океан Электроники» является официальным дистрибьютором и эксклюзивным представителем в России одного из крупнейших производителей разъемов военного и аэрокосмического назначения «JONHON», а так же официальным дистрибьютором и эксклюзивным представителем в России производителя высокотехнологичных и надежных решений для передачи СВЧ сигналов «FORSTAR».



## JONHON

«JONHON» (основан в 1970 г.)

Разъемы специального, военного и аэрокосмического назначения:

(Применяются в военной, авиационной, аэрокосмической, морской, железнодорожной, горно- и нефтедобывающей отраслях промышленности)

«FORSTAR» (основан в 1998 г.)

ВЧ соединители, коаксиальные кабели,  
кабельные сборки и микроволновые компоненты:

(Применяются в телекоммуникациях гражданского и специального назначения, в средствах связи, РЛС, а так же военной, авиационной и аэрокосмической отраслях промышленности).



Телефон: 8 (812) 309-75-97 (многоканальный)

Факс: 8 (812) 320-03-32

Электронная почта: [ocean@oceanchips.ru](mailto:ocean@oceanchips.ru)

Web: <http://oceanchips.ru/>

Адрес: 198099, г. Санкт-Петербург, ул. Калинина, д. 2, корп. 4, лит. А