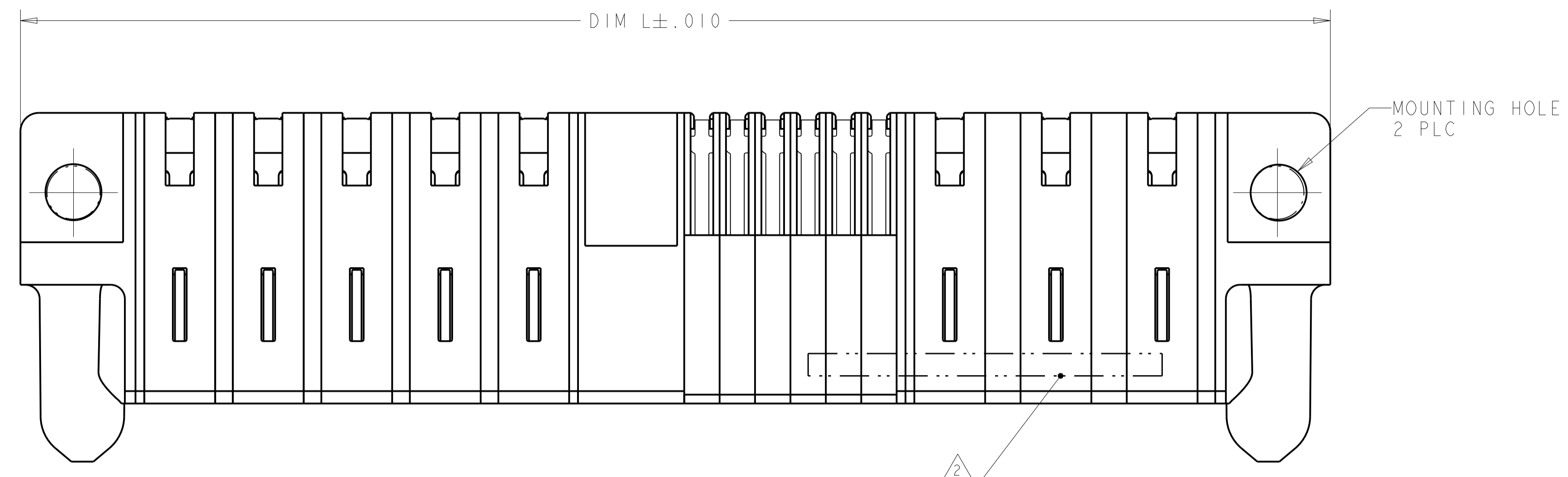
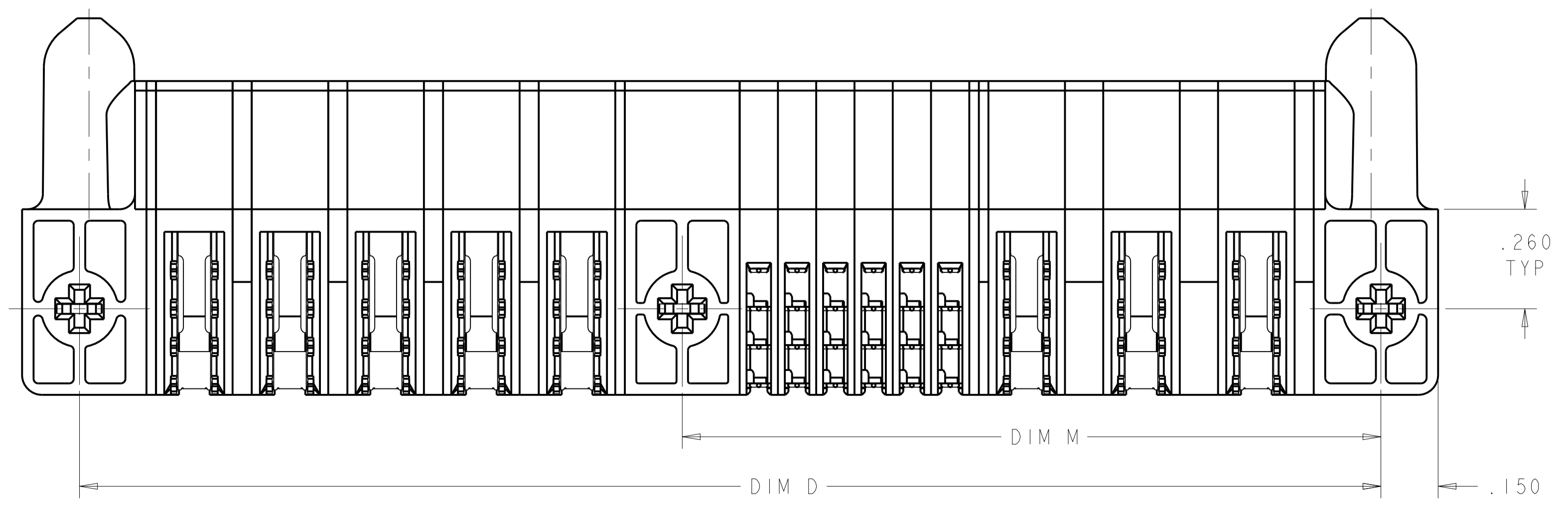
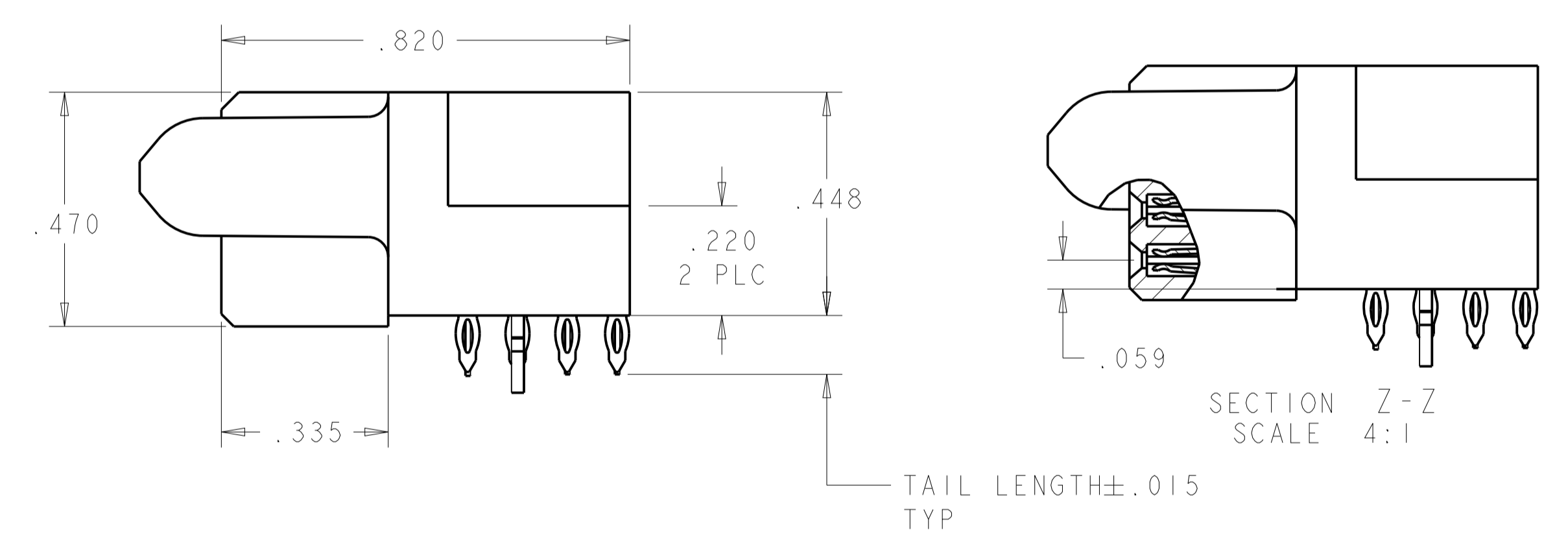
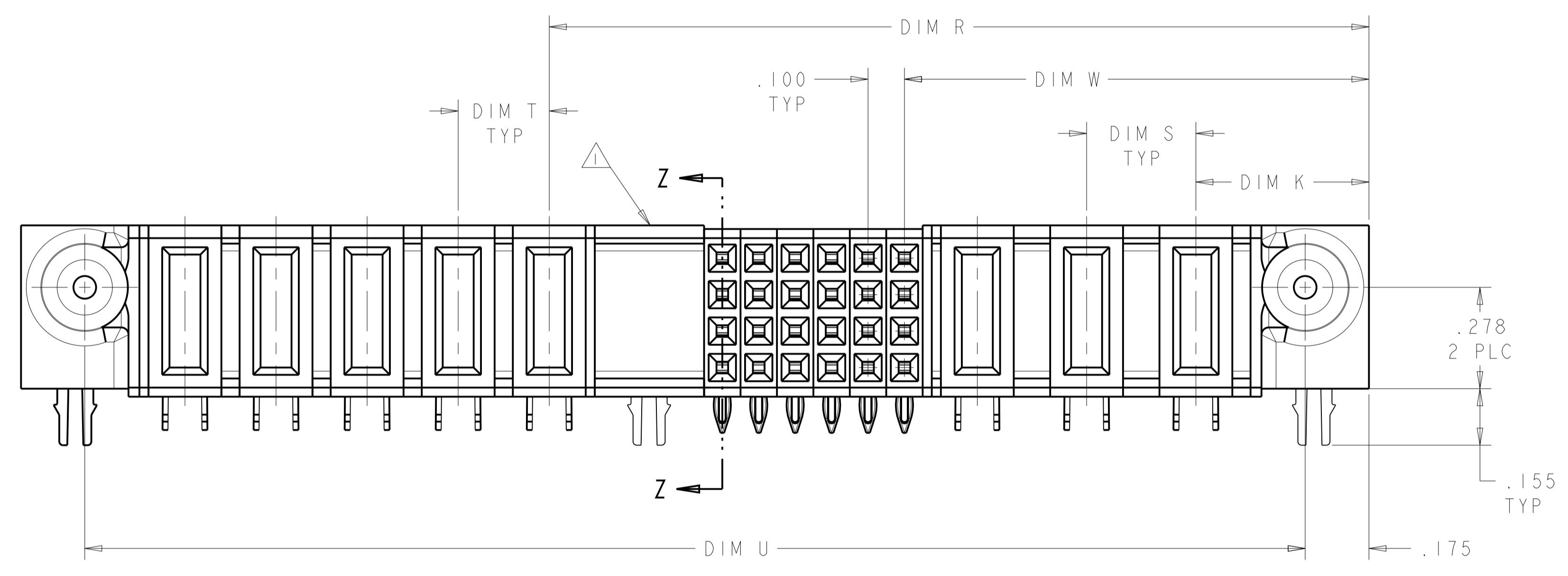


| LOC | | DIST | | REVISIONS | | | |
|-----|----|------|-----|---------------------|-----------|-----|------|
| ES | 00 | P | LTM | DESCRIPTION | DATE | DMN | APVD |
| | D5 | | | RELEASE 1-7 | 21OCT2013 | CZ | SZ |
| | D6 | | | RELEASE 1-8 AND 1-9 | 21JAN2014 | AL | SZ |



- 1 OPTIONAL CENTER MODULE, WITH $\phi .150$ THRU HOLE OR HOLD DOWN FEATURE.
- 2 "AMP", PART NUMBER, AND DATE CODE TO BE MARKED IN AREA SHOWN.
- 3 MATERIAL: HOUSING - GLASS FILLED HIGH TEMP THERMO PLASTIC, UL94 V-0.
 SIGNAL CONTACT - HIGH CONDUCTIVITY COPPER ALLOY
 POWER CONTACT - HIGH CONDUCTIVITY COPPER ALLOY
- 4 CONTACT PLATING: NOBLE METAL PLATING ON CONTACT FUNCTIONAL AREA OF POWER AND SIGNAL CONTACTS
- 5 MECHANICAL CONNECTOR KEEP OUT ZONE.
- 6 DATUM AND BASIC DIMENSIONS ESTABLISHED BY CUSTOMER.
- 7 PCB- ALL HOLE DIAMETERS ARE FINISHED HOLE SIZES.
- 8 PCB- $\phi .0453 \pm .0010$ DRILLED HOLES PLATED WITH $.0003$ MIN Sn OVER $.001-.003$ PLATING TO ACHIEVE $.040$ DIA HOLE.
- 9 1450570-1 HOLD DOWN SEATING DEPTH = $.185$



| | | | | | | | | | | | |
|----------------|-------|-------|-------|-------|-------|-------|-------|-------|-------|---------------|-------------|
| N/A | 3.250 | .300 | .250 | 1.650 | 1.375 | 3.300 | - | 3.600 | .450 | 4P + 8S + 6P | 1-6450570-9 |
| N/A | 3.150 | .300 | .250 | 1.850 | 1.375 | 3.200 | - | 3.500 | .450 | 4P + 16S + 5P | 1-6450570-8 |
| N/A | 1.700 | .250 | .250 | 1.350 | .875 | 1.750 | - | 2.050 | .450 | 2P + 16S + 2P | 1-6450570-7 |
| N/A | 3.100 | .250 | .250 | 2.250 | 1.875 | 3.150 | - | 3.450 | .450 | 6P + 12S + 4P | 1-6450570-6 |
| .150 | 1.400 | .250 | .250 | 1.300 | .625 | 1.450 | - | 1.750 | .450 | 1P + 24S + 1P | 1-6450570-5 |
| N/A | 1.700 | .250 | .250 | 1.350 | .875 | 1.750 | - | 2.050 | .450 | 2P + 16S + 2P | 1-6450570-4 |
| N/A | 1.300 | - | - | 1.200 | .675 | 1.350 | - | 1.650 | .450 | 1P + 16S + 1P | 1-6450570-3 |
| N/A | 3.000 | .250 | .250 | 2.150 | 1.425 | 3.050 | - | 3.350 | .450 | 4P + 24S + 4P | 1-6450570-2 |
| N/A | 2.400 | .250 | .250 | 1.800 | 1.125 | 2.450 | - | 2.750 | .450 | 3P + 24S + 3P | 1-6450570-0 |
| .150 | 1.300 | - | - | 1.200 | .675 | 1.350 | - | 1.650 | .450 | 1P + 16S + 1P | 6450570-9 |
| N/A | 4.350 | .250 | .250 | 3.500 | 2.625 | 4.400 | - | 4.700 | .450 | 9P + 32S + 4P | 6450570-6 |
| .122 | 5.450 | .250 | .250 | 3.350 | 2.375 | 5.500 | - | 5.800 | .450 | 8P + 36S + 9P | 6450570-3 |
| N/A | 2.400 | .250 | .250 | 1.800 | 1.125 | 2.450 | - | 2.750 | .450 | 3P + 24S + 3P | 6450570-2 |
| N/A | 4.350 | .250 | .250 | 3.500 | 2.625 | 4.400 | - | 4.700 | .450 | 9P + 32S + 4P | 6450570-1 |
| MOUNTING HOLES | DIM U | DIM T | DIM S | DIM R | DIM W | DIM D | DIM M | DIM L | DIM K | DESCRIPTION | PART NUMBER |

THIS DRAWING IS A CONTROLLED DOCUMENT. DWN: R. GRZYBOWSKI, 25MAY2005
 CHK: M. PERCHERKE, 25MAY2005
 NAME: M. PERCHERKE

DIMENSIONS: INCHES
 TOLERANCES UNLESS OTHERWISE SPECIFIED:
 0 PLC $\pm .01$
 1 PLC $\pm .01$
 2 PLC $\pm .01$
 3 PLC $\pm .005$
 4 PLC $\pm .002$
 ANGLES $\pm .020$

MATERIAL: FINISH: 3, 4

PRODUCT SPEC: 108-1973
 APPLICATION SPEC: 114-13038
 WEIGHT: CUSTOMER DRAWING

SCALE: 4:1 SHEET 1 OF 7 REV D6

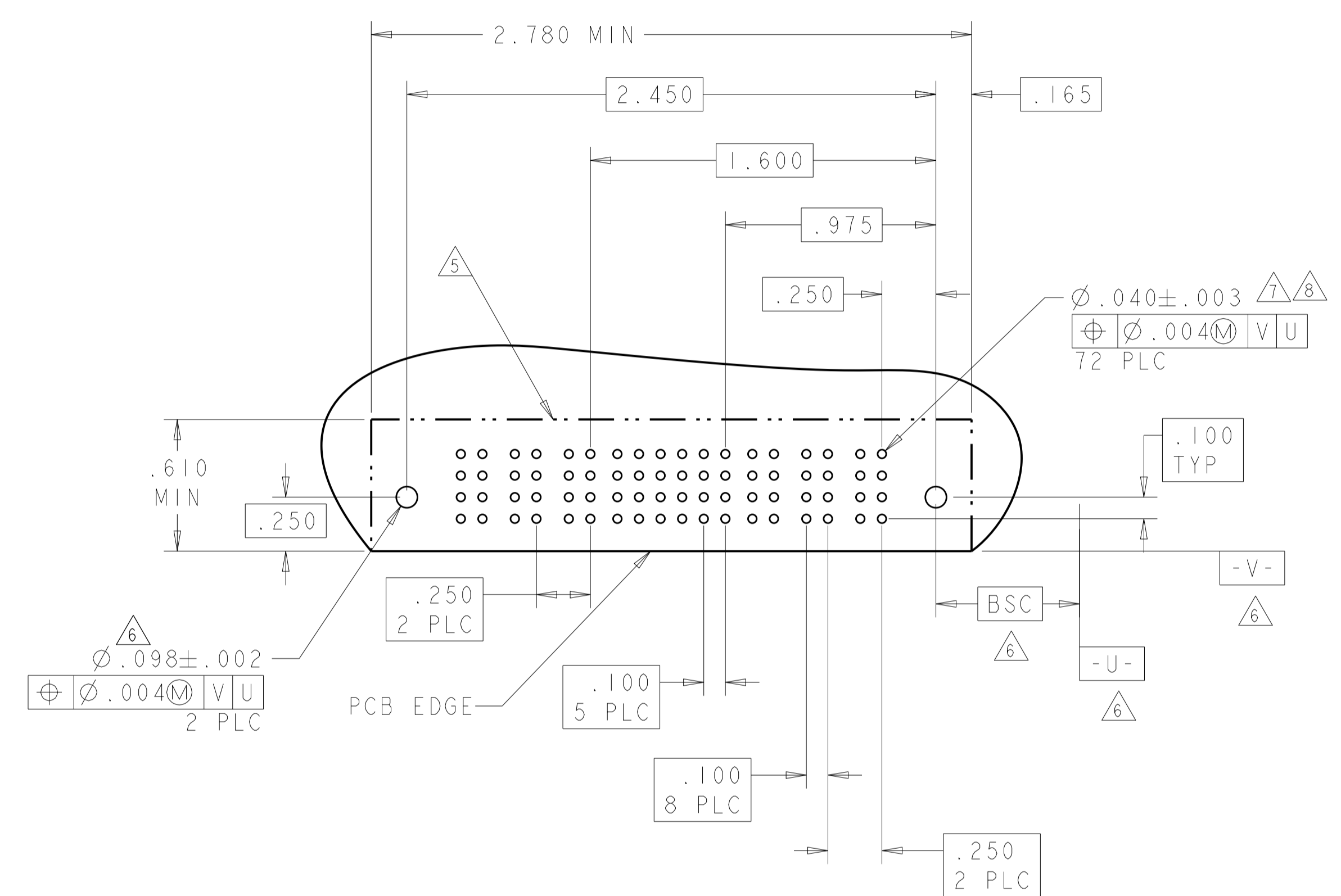
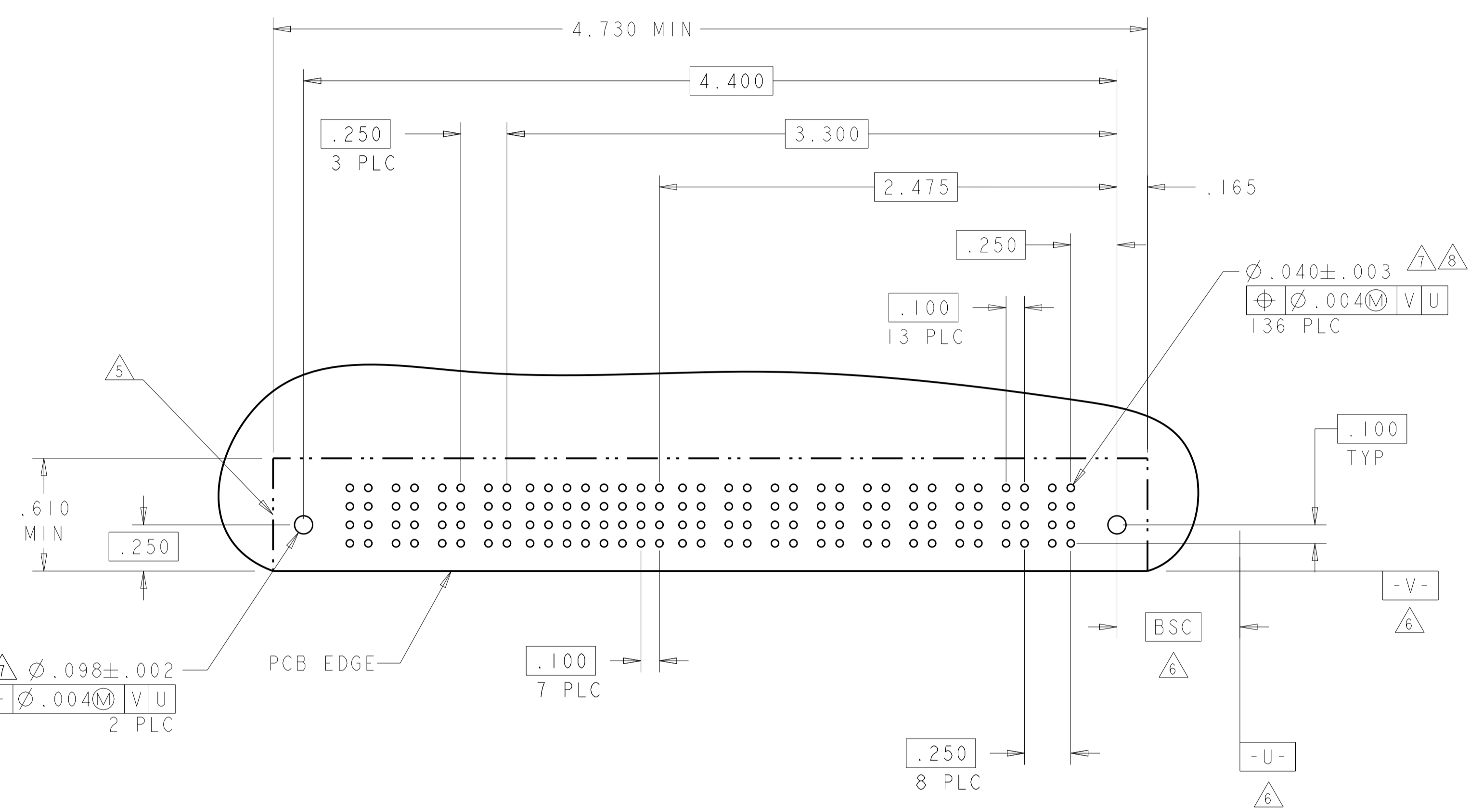
RESTRICTED TO

STE TE Connectivity
 RIGHT ANGLE RECEPTACLE ASSEMBLY WITH GUIDES MULTI-BEAM XL
 A100779C=6450570

| LOC | DIST | REV | DATE | BY | APPR |
|-----|------|-----|------|----|------|
| ES | 00 | | | | |

| PART NUMBER | ROWS | POWER | | | | SIGNAL | | | | | | | | POWER | | | | | | | | |
|-------------|------------------|-------|-----|-----|-----|--------|----|----|----|----|----|----|----|-------|----|----|----|----|----|----|----|----|
| | | PI3 | PI2 | PI1 | PI0 | 8 | 7 | 6 | 5 | 4 | 3 | 2 | 1 | P9 | P8 | P7 | P6 | P5 | P4 | P3 | P2 | PI |
| 6450570-1 | D C B A | RL | RL | RK | RL | DD | DD | DD | DD | DD | DD | DD | DD | RL | RL | RL | RL | RL | RL | | RK | RL |
| | | | | | | CC | CC | CC | CC | CC | CC | CC | CC | | | | | | | | | |
| | | | | | | BB | BB | BB | BB | BB | BB | BB | BB | | | | | | | | | |
| | | | | | | AA | AA | AA | AA | AA | AA | AA | AA | | | | | | | | | |

| PART NUMBER | ROWS | POWER | | | SIGNAL | | | | | | POWER | | |
|-------------|------------------|-------|----|----|--------|---|---|---|---|---|-------|----|----|
| | | P6 | P5 | P4 | 6 | 5 | 4 | 3 | 2 | 1 | P3 | P2 | PI |
| 6450570-2 | D C B A | RP | RS | RS | D | D | D | D | D | D | RS | RS | RP |
| | | | | | C | C | C | C | C | C | | | |
| | | | | | B | B | B | B | B | B | | | |
| | | | | | A | A | A | A | A | A | | | |



| | | |
|----|----------------|---|
| DD | .165-PRESS FIT | D |
| CC | .165-PRESS FIT | C |
| BB | .165-PRESS FIT | B |
| AA | .165-PRESS FIT | A |

| | | | | | |
|---------------|----------------|------|----------------|----------------|-----|
| RL | .165 PRESS FIT | STD | D | .119-PRESS FIT | D |
| RK | .165 PRESS FIT | MFBL | C | .119-PRESS FIT | C |
| RS | .119 PRESS FIT | STD | B | .119-PRESS FIT | B |
| RP | .119 PRESS FIT | MFBL | A | .119-PRESS FIT | A |
| CODE | TAIL LENGTH | TYPE | CODE | TAIL LENGTH | ROW |
| POWER CONTACT | | | SIGNAL CONTACT | | |

THIS DRAWING IS A CONTROLLED DOCUMENT. DIMENSIONS: INCHES. TOLERANCES UNLESS OTHERWISE SPECIFIED: 0 PLC ±.01, 1 PLC ±.01, 2 PLC ±.01, 3 PLC ±.005, 4 PLC ±.002, ANGLES ±.020.

OWN: R. GRZYBOWSKI, 25MAY2005
CHK: M. PERCHERKE, 25MAY2005
APPR: M. PERCHERKE

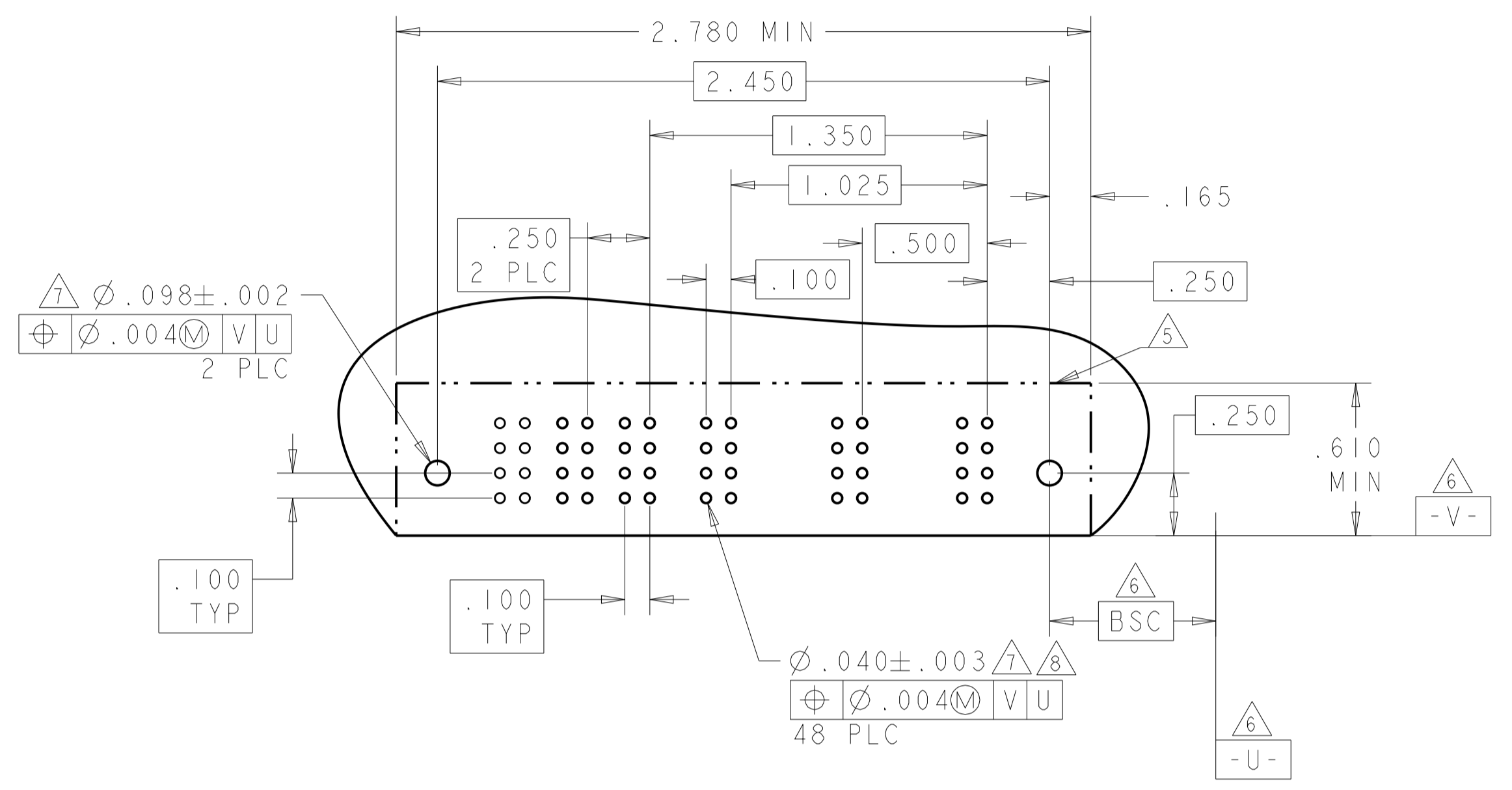
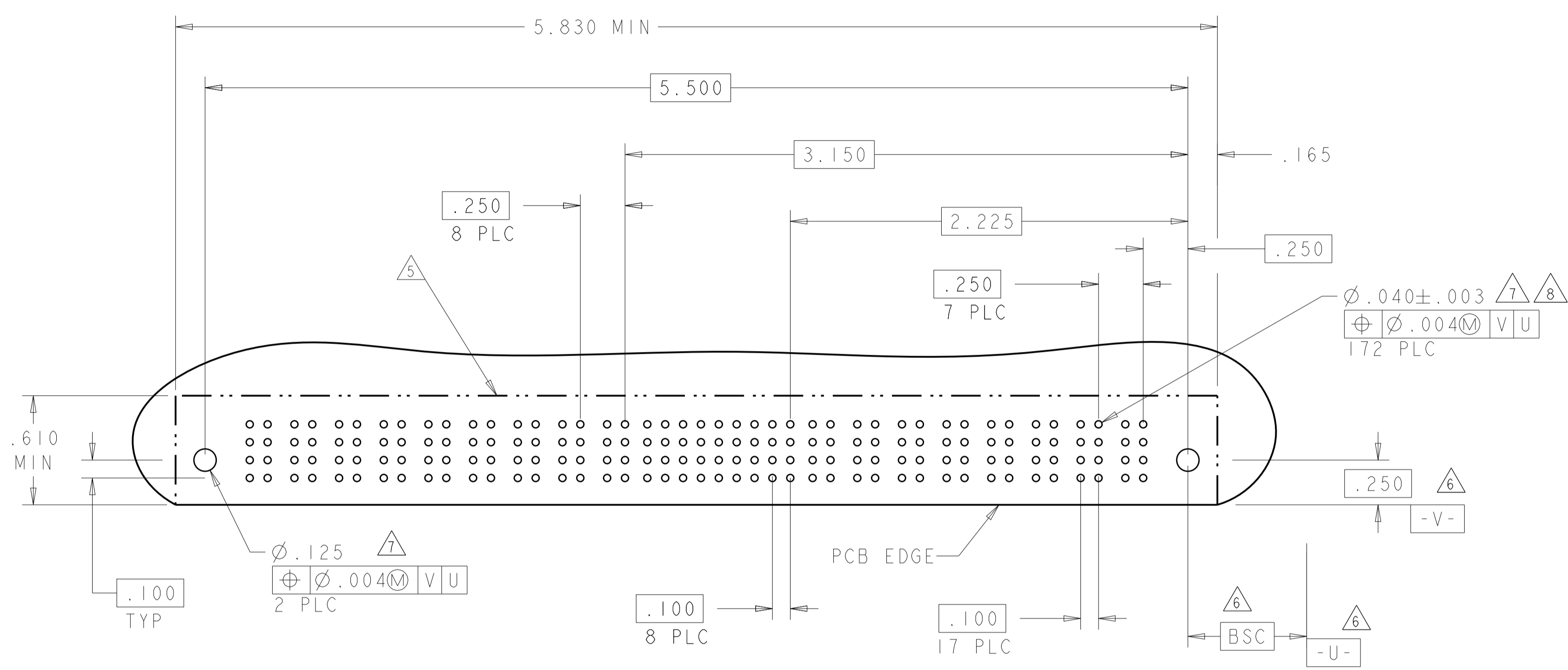
NAME: RIGHT ANGLE RECEPTACLE ASSEMBLY WITH GUIDES MULTI-BEAM XL
PRODUCT SPEC: 108-1973
APPLICATION SPEC: 114-13038
WEIGHT: A100779C=6450570
CUSTOMER DRAWING

SCALE: 1:1 SHEET 2 OF 7 REV D6

| LOC | DIST | REVISIONS | | | |
|-----|------|-----------|-------------|----|------|
| ES | 00 | REV | DATE | BY | APPV |
| | | 1 | SEE SHEET 1 | | |

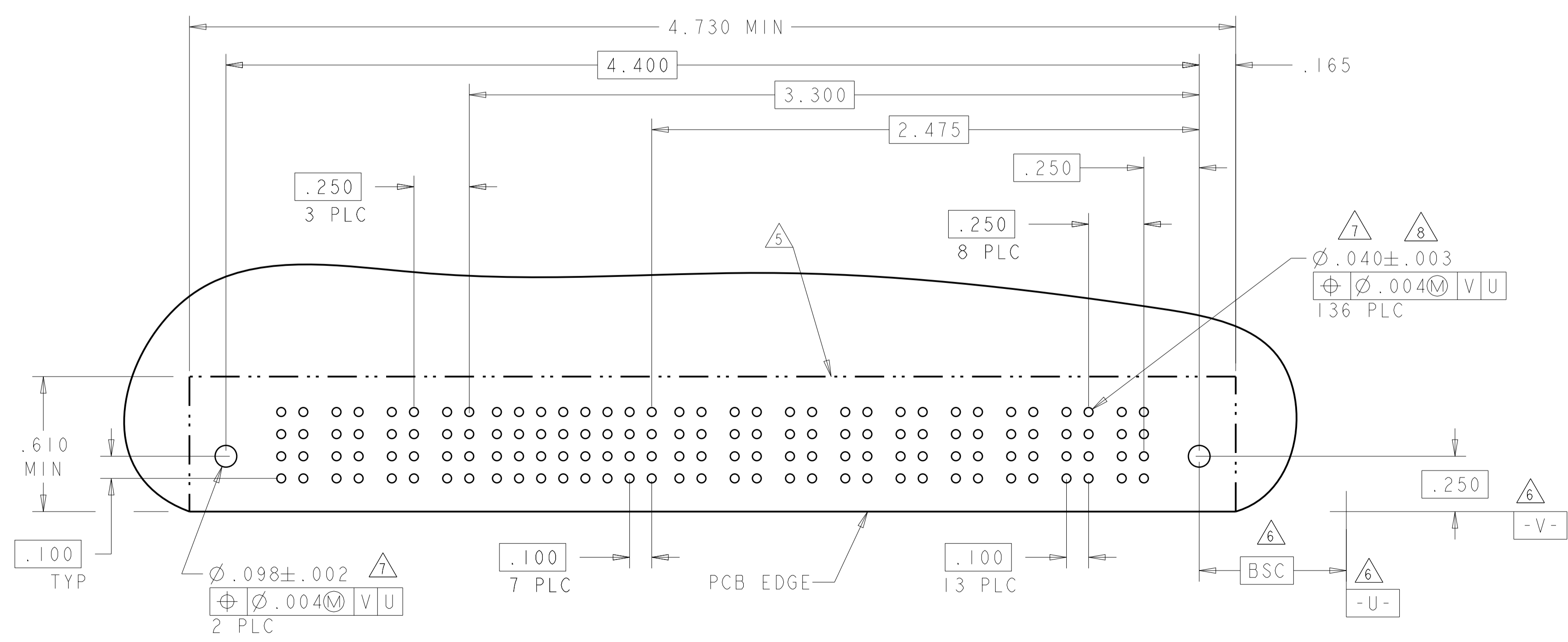
| PART NUMBER | ROWS | POWER | | | | | | | | SIGNAL | | | | | | | | POWER | | | | | | | | | |
|---------------|------------------|-------|-----|-----|-----|-----|-----|-----|-----|--------|----|----|----|----|----|----|----|-------|----|----|----|----|----|----|----|----|----|
| | | P17 | P16 | P15 | P14 | P13 | P12 | P11 | P10 | P9 | 9 | 8 | 7 | 6 | 5 | 4 | 3 | 2 | 1 | P8 | P7 | P6 | P5 | P4 | P3 | P2 | P1 |
| 6450570-3 | D C B A | RL | RK | RL | RL | RL | RL | RL | RL | RL | DD | DD | DD | DD | DD | DD | DD | DD | DD | RL | RL | RL | RL | RL | RL | RK | RL |
| 8P + 36S + 9P | | | | | | | | | | CC | CC | CC | CC | CC | CC | CC | CC | CC | | | | | | | | | |
| | | | | | | | | | | BB | BB | BB | BB | BB | BB | BB | BB | BB | | | | | | | | | |
| | | | | | | | | | | AA | AA | AA | AA | AA | AA | AA | AA | AA | | | | | | | | | |

| PART NUMBER | ROWS | POWER | | | | SIGNAL | | | | POWER | | | | |
|---------------|------------------|-------|----|----|----|--------|---|---|---|-------|---|----|----|----|
| | | P6 | P5 | P4 | P3 | 6 | 5 | 4 | 3 | 2 | 1 | P3 | P2 | P1 |
| 1-6450570-0 | D C B A | RS | RS | RP | | D | D | | | | | RS | RS | |
| 3P + 24S + 3P | | | | | | C | C | | | | | | | |
| | | | | | | B | B | | | | | | | |
| | | | | | | A | A | | | | | | | |



| PART NUMBER | ROWS | POWER | | | | SIGNAL | | | | | | | | POWER | | | | | | | | |
|---------------|------------------|-------|-----|-----|-----|--------|----|----|----|----|----|----|----|-------|----|----|----|----|----|----|----|----|
| | | P13 | P12 | P11 | P10 | 8 | 7 | 6 | 5 | 4 | 3 | 2 | 1 | P9 | P8 | P7 | P6 | P5 | P4 | P3 | P2 | P1 |
| 6450570-6 | D C B A | RL | RL | RK | RL | DD | DD | DD | DD | DD | DD | DD | DD | RL | RL | RL | RL | RL | RL | RK | RL | |
| 9P + 32S + 4P | | | | | | CC | CC | CC | CC | CC | CC | CC | CC | | | | | | | | | |
| | | | | | | BB | BB | BB | BB | BB | BB | BB | BB | | | | | | | | | |
| | | | | | | AA | AA | AA | AA | AA | AA | AA | AA | | | | | | | | | |

NO CONTACT LOADED



| | | | |
|--|--|------------------------------|---|
| THIS DRAWING IS A CONTROLLED DOCUMENT. | | OWN: R. GRZYBOWSKI 25MAY2005 | TE Connectivity |
| DIMENSIONS: INCHES | | CHK: M. PERCHERKE 25MAY2005 | |
| TOLERANCES UNLESS OTHERWISE SPECIFIED: | | APVD: M. PERCHERKE | NAME: RIGHT ANGLE RECEPTACLE ASSEMBLY WITH GUIDES MULTI-BEAM XL |
| 0 PLC ±.01 | | PRODUCT SPEC: 108-1973 | SIZE: CAGE CODE DRAWING NO. A100779 C=6450570 |
| 1 PLC ±.01 | | APPLICATION SPEC: 114-13038 | RESTRICTED TO: - |
| 2 PLC ±.01 | | WEIGHT: - | SCALE: 4:1 SHEET 3 OF 7 REV: D6 |
| 3 PLC ±.005 | | CUSTOMER DRAWING | |
| 4 PLC ±.0020 | | | |
| ANGLES ±.020 | | | |

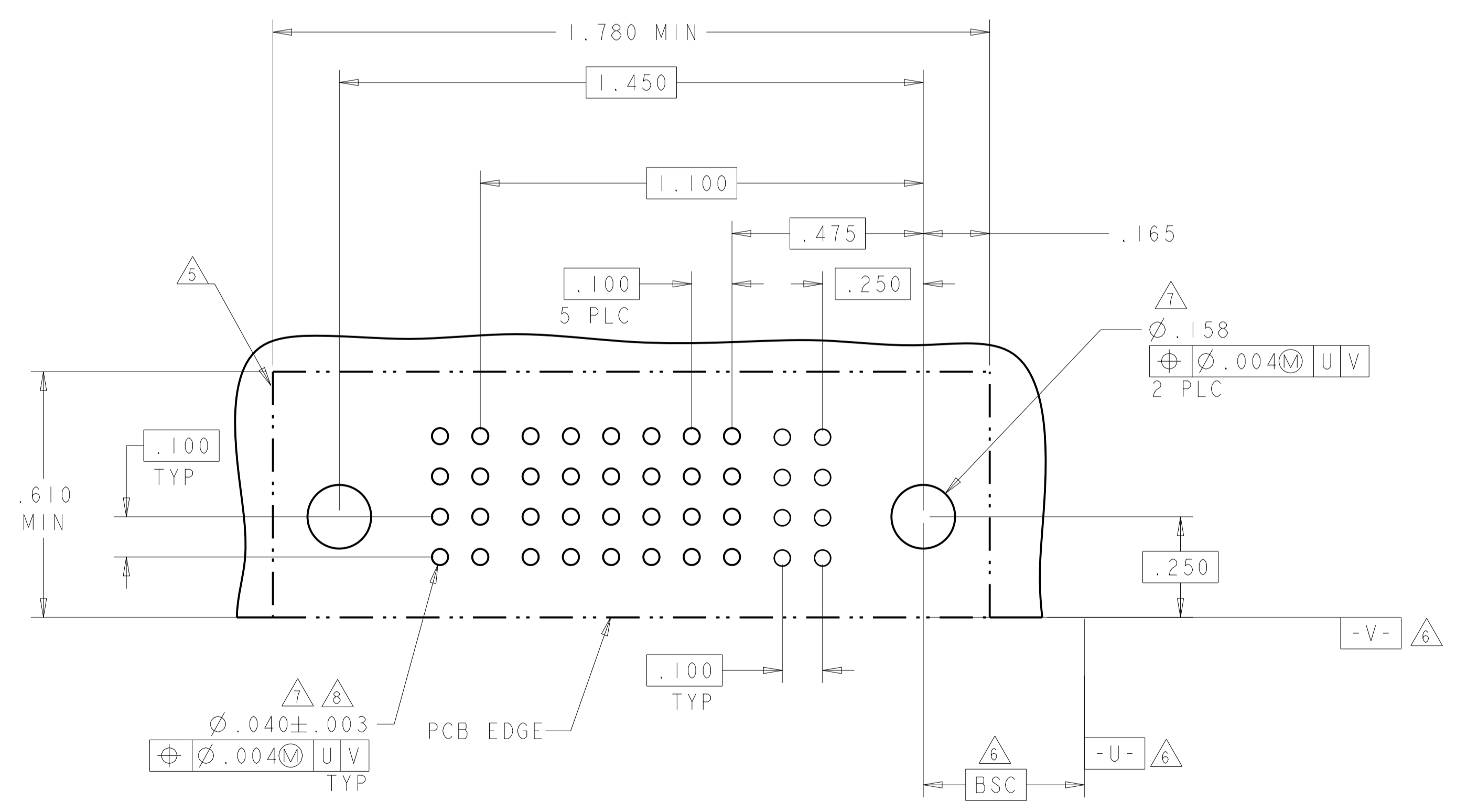
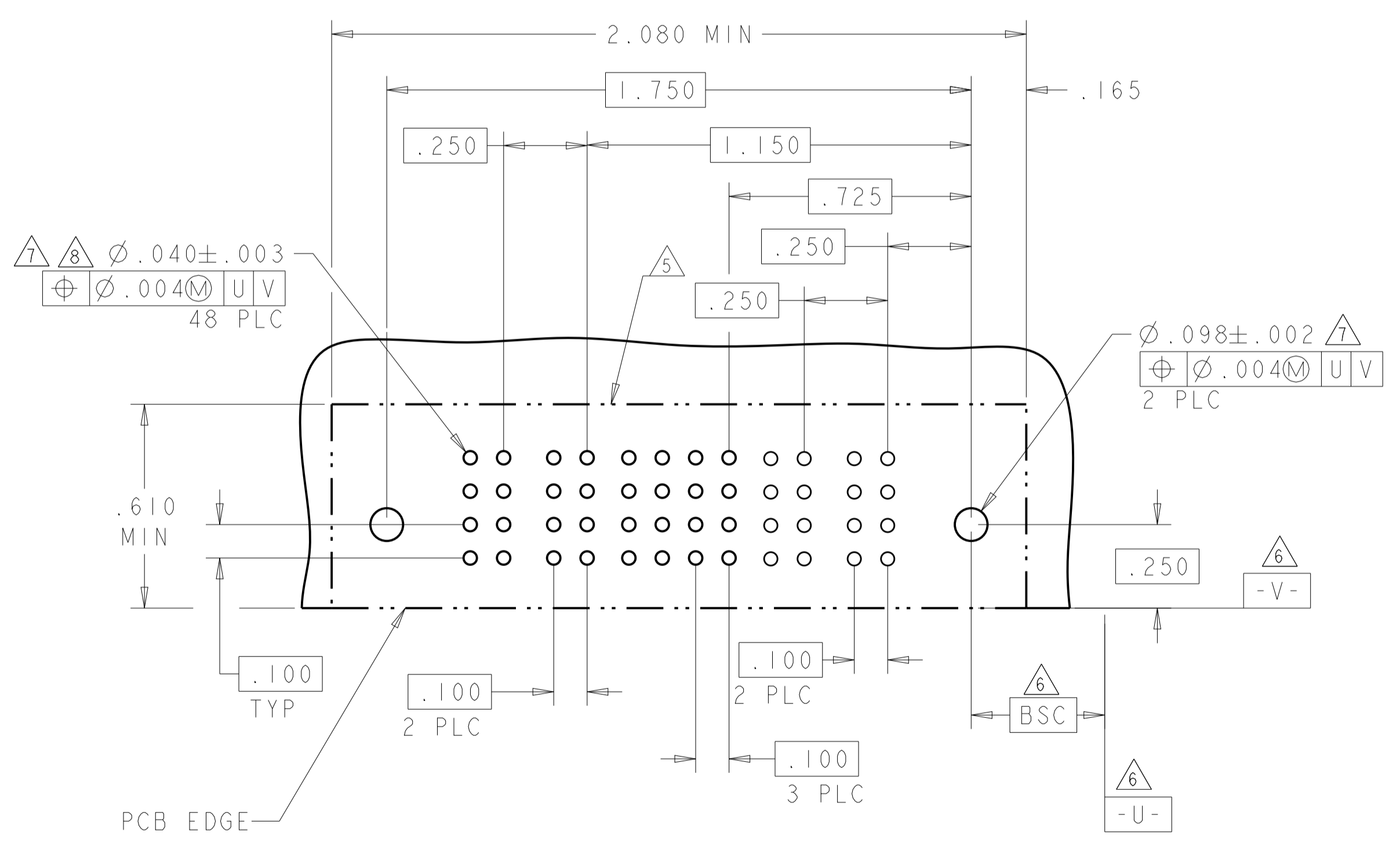
| LOC | DIST | REV | DATE | BY | APPV |
|-----|------|-----|------|----|------|
| ES | 00 | | | | |

| REVISIONS | | | | | |
|-----------|------|-------------|----|------|------|
| NO | DATE | DESCRIPTION | BY | APPV | DATE |
| - | - | SEE SHEET 1 | - | - | - |

| PART NUMBER | ROWS | POWER | | SIGNAL | | | | POWER | |
|---------------|------------------|-------|----|--------|---|---|---|-------|----|
| | | P4 | P3 | 4 | 3 | 2 | 1 | P2 | P1 |
| 1-6450570-4 | D C B A | RS | RP | D | D | D | D | RP | RS |
| | | | | C | C | C | C | | |
| | | | | B | B | B | B | | |
| | | | | A | A | A | A | | |
| 2P + 16S + 2P | | | | | | | | | |

| PART NUMBER | ROWS | POWER | | SIGNAL | | | | | POWER | | |
|---------------|------------------|-------|--|--------|---|---|---|---|-------|----|--|
| | | P2 | | 6 | 5 | 4 | 3 | 2 | 1 | P1 | |
| 1-6450570-5 | D C B A | RP | | D | D | D | D | D | D | RS | |
| | | | | C | C | C | C | C | C | | |
| | | | | B | B | B | B | B | B | | |
| | | | | A | A | A | A | A | A | | |
| 1P + 24S + 1P | | | | | | | | | | | |

| PART NUMBER | ROWS | POWER | | SIGNAL | | | | POWER | |
|---------------|------------------|-------|----|--------|---|---|---|-------|----|
| | | P4 | P3 | 4 | 3 | 2 | 1 | P2 | P1 |
| 1-6450570-7 | D C B A | RP | RS | D | D | D | D | RP | RS |
| | | | | C | C | C | C | | |
| | | | | B | B | B | B | | |
| | | | | A | A | A | A | | |
| 2P + 16S + 2P | | | | | | | | | |



1-6450570-4 AND 1-6450570-7 PCB LAYOUT

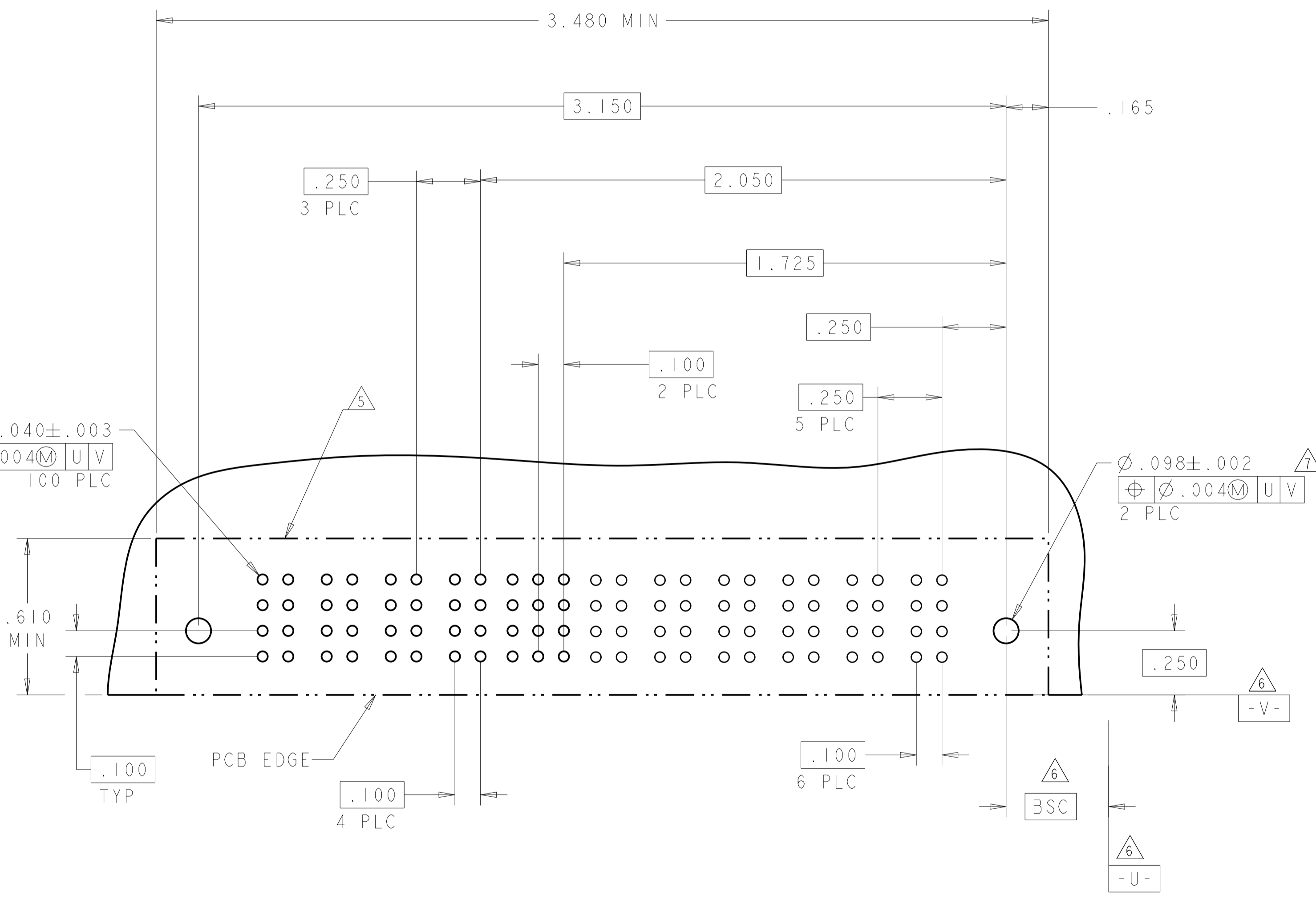
| | | | |
|--|--|------------------------------|---|
| THIS DRAWING IS A CONTROLLED DOCUMENT. | | OWN: R. GRZYBOWSKI 25MAY2005 | TE Connectivity |
| DIMENSIONS: INCHES | | CHK: M. PERCHERKE 25MAY2005 | |
| TOLERANCES UNLESS OTHERWISE SPECIFIED: | | APVD: M. PERCHERKE | NAME: RIGHT ANGLE RECEPTACLE ASSEMBLY WITH GUIDES MULTI-BEAM XL |
| 0 PLC ±.01 1 PLC ±.01 2 PLC ±.01 3 PLC ±.005 4 PLC ±.002 ANGLES ±.020 | | PRODUCT SPEC: 108-1973 | RESTRICTED TO: - |
| MATERIAL: - | | APPLICATION SPEC: 114-13038 | SIZE: A1 |
| FINISH: - | | WEIGHT: - | CAGE CODE: 6450570 |
| | | CUSTOMER DRAWING | SCALE: 4:1 SHEET 5 OF 7 REV: D6 |

| LOC | DIST | REV | DATE | APPV |
|-----|------|-----|------|------|
| ES | 00 | | | |

| REVISIONS | | | | |
|-----------|------|-------------|----|------|
| REV | DATE | DESCRIPTION | BY | APPV |
| - | - | SEE SHEET 1 | - | - |

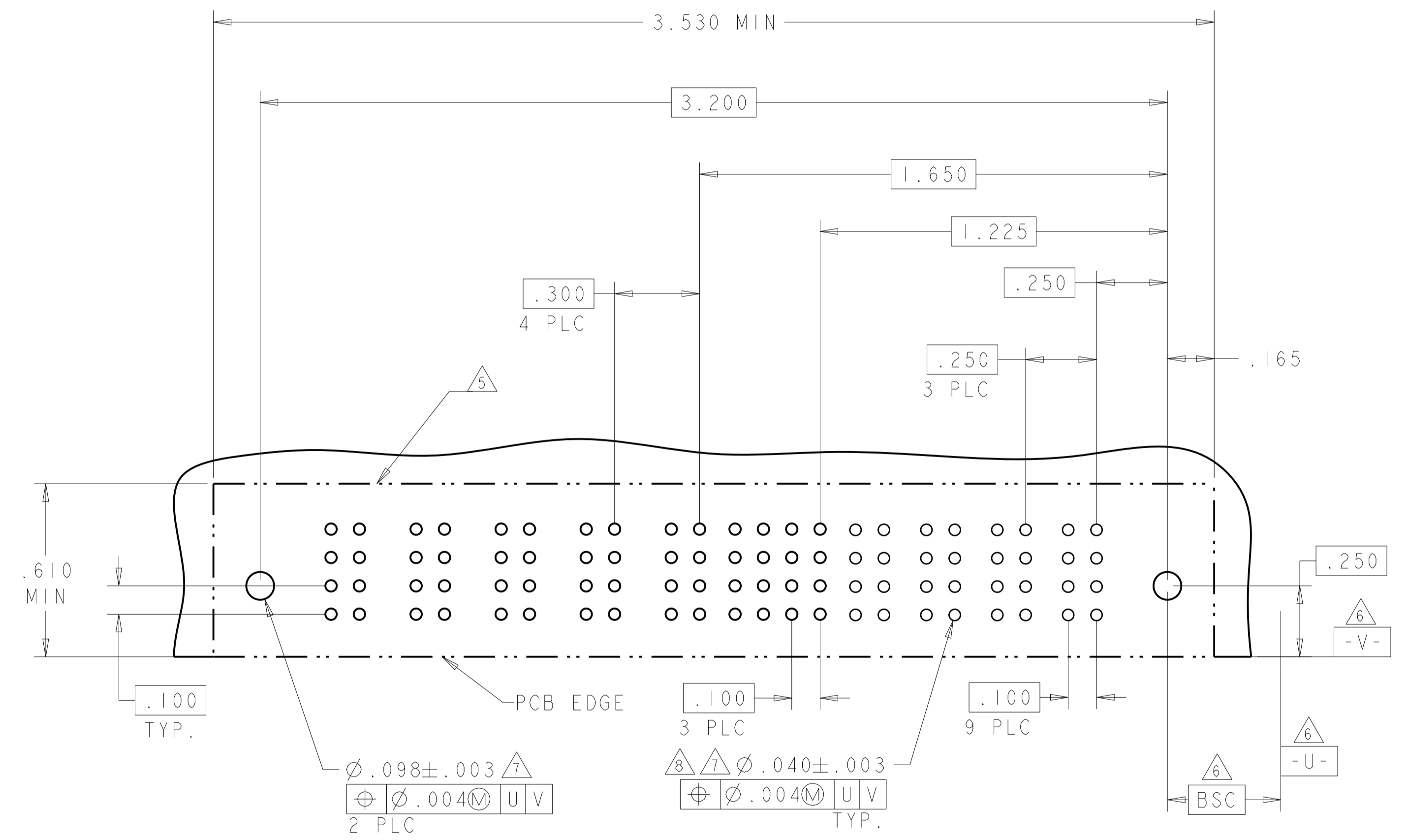
| PART NUMBER | ROWS | POWER | | | | SIGNAL | | | POWER | | | | | |
|---------------|------|-------|----|----|----|--------|---|---|-------|----|----|----|----|----|
| | | P10 | P9 | P8 | P7 | 3 | 2 | 1 | P6 | P5 | P4 | P3 | P2 | P1 |
| 1-6450570-6 | D | RS | RS | RS | RS | D | D | D | RS | RS | RS | RS | RP | RP |
| | C | | | | | C | C | | | | | | | |
| | B | | | | | B | B | | | | | | | |
| | A | | | | | A | A | | | | | | | |
| 6P + 12S + 4P | | | | | | | | | | | | | | |

D3



| PART NUMBER | ROWS | POWER | | | | | SIGNAL | | | | POWER | | | |
|---------------|------|-------|----|----|----|----|--------|----|----|----|-------|----|----|----|
| | | P9 | P8 | P7 | P6 | P5 | 4 | 3 | 2 | 1 | P4 | P3 | P2 | P1 |
| 1-6450570-8 | D | RL | RL | RK | RL | RL | DD | DD | DD | DD | RL | RK | RK | RL |
| | C | | | | | | CC | CC | CC | | | | | |
| | B | | | | | | BB | BB | BB | | | | | |
| | A | | | | | | AA | AA | AA | | | | | |
| 4P + 16S + 5P | | | | | | | | | | | | | | |

D6



THIS DRAWING IS A CONTROLLED DOCUMENT.

DWN: R. GRZYBOWSKI 25MAY2005
 CHK: M. PERCHERKE 25MAY2005

STE TE Connectivity

NAME: RIGHT ANGLE RECEPTACLE ASSEMBLY WITH GUIDES MULTI-BEAM XL

PRODUCT SPEC: 108-1973
 APPLICATION SPEC: 114-13038

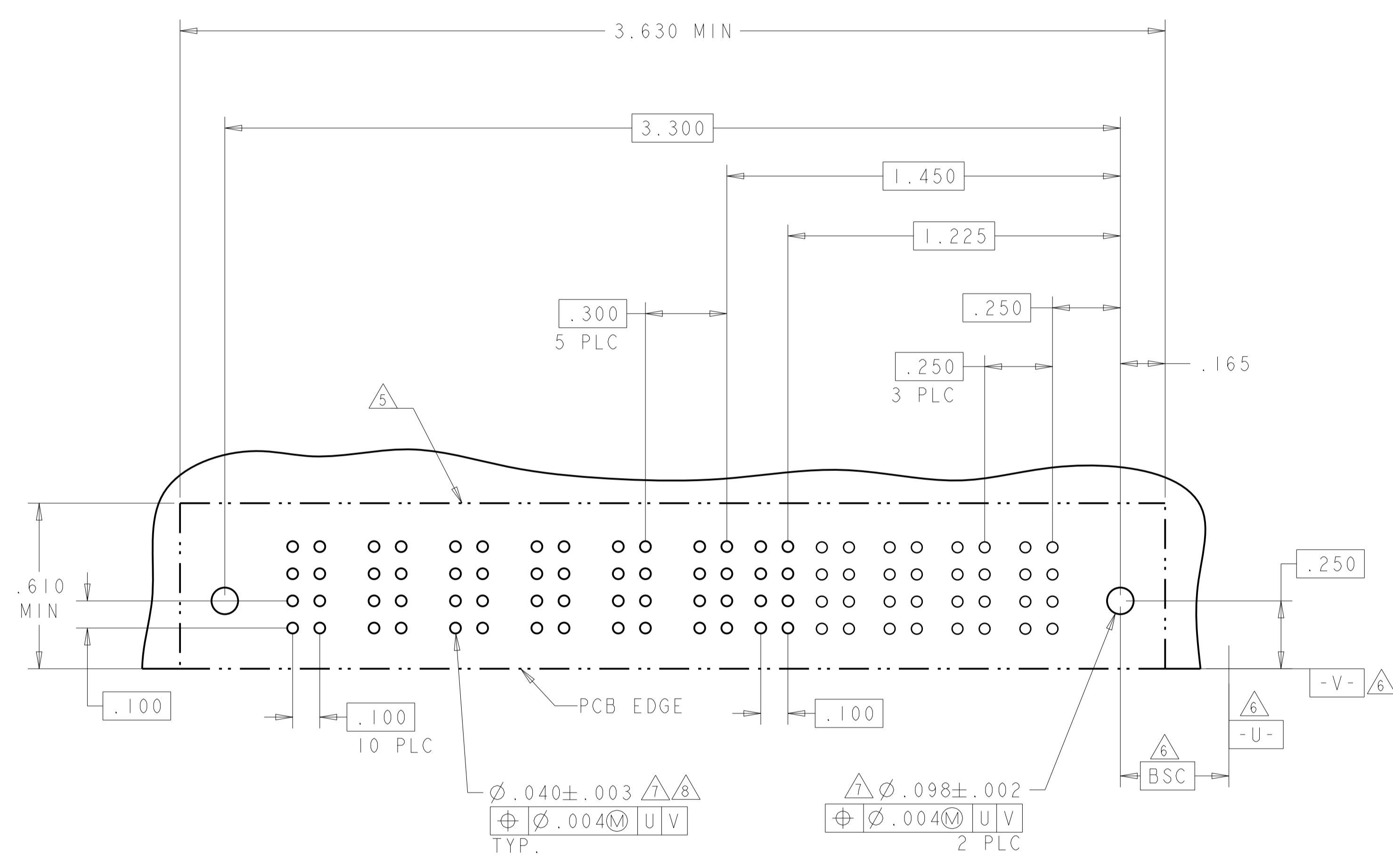
SIZE: A1
 CAGE CODE: 6450570
 DRAWING NO: 6450570

SCALE: 4:1
 SHEET: 6 OF 7
 REV: D6

| LOC | DIST | REVISIONS | | | | | |
|-----|------|-----------|-----|-------------|------|-----|------|
| | | P | LTN | DESCRIPTION | DATE | DMN | APVD |
| ES | 00 | - | - | SEE SHEET 1 | - | - | - |
| | | | | | | | |
| | | | | | | | |

D6

| PART NUMBER | ROWS | POWER | | | | | SIGNAL | | POWER | | | | |
|--------------|------------------|-------|----|----|----|----|--------|----|-------|----|----|----|----|
| | | P10 | P9 | P8 | P7 | P6 | P5 | 2 | 1 | P4 | P3 | P2 | P1 |
| 1-6450570-9 | D C B A | RL | RL | RK | RL | RL | DD | DD | RL | RK | RK | RL | |
| | | | | | | | CC | CC | | | | | |
| | | | | | | | BB | BB | | | | | |
| | | | | | | | AA | AA | | | | | |
| 4P + 8S + 6P | | | | | | | | | | | | | |



| | | | |
|--|--|--|---------------------|
| THIS DRAWING IS A CONTROLLED DOCUMENT. | | DMN: R. GRZYBOWSKI 25MAY2005 | TE Connectivity |
| DIMENSIONS: INCHES | | CHK: M. PERCHERKE 25MAY2005 | |
| DIMENSIONS: INCHES 0 PLC ±. 1 PLC ±.01 2 PLC ±.01 3 PLC ±.005 4 PLC ±.0020 ANGLES ±.2° | | APVD: M. PERCHERKE NAME: RIGHT ANGLE RECEPTACLE ASSEMBLY WITH GUIDES MULTI-BEAM XL PRODUCT SPEC: 108-1973 APPLICATION SPEC: 114-13038 WEIGHT: - FINISH: - | |
| MATERIAL: - | | SIZE: A1 | RESTRICTED TO: - |
| CUSTOMER DRAWING | | CAGE CODE: 100779 | DRAWING NO: 6450570 |
| SCALE: 4:1 | | SHEET: 7 | OF: 7 |
| | | REV: D6 | |

Компания «Океан Электроники» предлагает заключение долгосрочных отношений при поставках импортных электронных компонентов на взаимовыгодных условиях!

Наши преимущества:

- Поставка оригинальных импортных электронных компонентов напрямую с производств Америки, Европы и Азии, а так же с крупнейших складов мира;
- Широкая линейка поставок активных и пассивных импортных электронных компонентов (более 30 млн. наименований);
- Поставка сложных, дефицитных, либо снятых с производства позиций;
- Оперативные сроки поставки под заказ (от 5 рабочих дней);
- Экспресс доставка в любую точку России;
- Помощь Конструкторского Отдела и консультации квалифицированных инженеров;
- Техническая поддержка проекта, помощь в подборе аналогов, поставка прототипов;
- Поставка электронных компонентов под контролем ВП;
- Система менеджмента качества сертифицирована по Международному стандарту ISO 9001;
- При необходимости вся продукция военного и аэрокосмического назначения проходит испытания и сертификацию в лаборатории (по согласованию с заказчиком);
- Поставка специализированных компонентов военного и аэрокосмического уровня качества (Xilinx, Altera, Analog Devices, Intersil, Interpoint, Microsemi, Actel, Aeroflex, Peregrine, VPT, Syfer, Eurofarad, Texas Instruments, MS Kennedy, Miteq, Cobham, E2V, MA-COM, Hittite, Mini-Circuits, General Dynamics и др.);

Компания «Океан Электроники» является официальным дистрибьютором и эксклюзивным представителем в России одного из крупнейших производителей разъемов военного и аэрокосмического назначения «JONHON», а так же официальным дистрибьютором и эксклюзивным представителем в России производителя высокотехнологичных и надежных решений для передачи СВЧ сигналов «FORSTAR».



JONHON

«JONHON» (основан в 1970 г.)

Разъемы специального, военного и аэрокосмического назначения:

(Применяются в военной, авиационной, аэрокосмической, морской, железнодорожной, горно- и нефтедобывающей отраслях промышленности)

«FORSTAR» (основан в 1998 г.)

ВЧ соединители, коаксиальные кабели,
кабельные сборки и микроволновые компоненты:

(Применяются в телекоммуникациях гражданского и специального назначения, в средствах связи, РЛС, а так же военной, авиационной и аэрокосмической отраслях промышленности).



Телефон: 8 (812) 309-75-97 (многоканальный)

Факс: 8 (812) 320-03-32

Электронная почта: ocean@oceanchips.ru

Web: <http://oceanchips.ru/>

Адрес: 198099, г. Санкт-Петербург, ул. Калинина, д. 2, корп. 4, лит. А