

# RJFTVX, USBFTVX, RJ11FTVX

RJ45, USB, RJ11/12 explosion proof solutions for Zone 2



Amphenol Atex Field Bus range is designed for device group II category 3G. According to EN60079-15 it may be operated within zone 2 and class I, Division 2, as low power non sparking connectors.

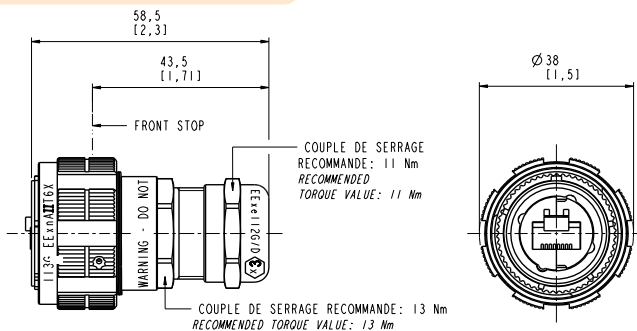


## RJFTVX • Rugged and sealed RJ45 connector



RJFTVX allows you to use an Ethernet Class D / Cat. 5e connection for 10 BaseT, 100 BaseTx or 1000 BaseT networks in ATEX zone 2 environments. With the patented RJStop system you can use a standard RJ45 cordset in a metallic plug which will protect it from shocks, dust and fluids. RJFTVX features the same main characteristics than RJFTV series (see page 24).

### Plug

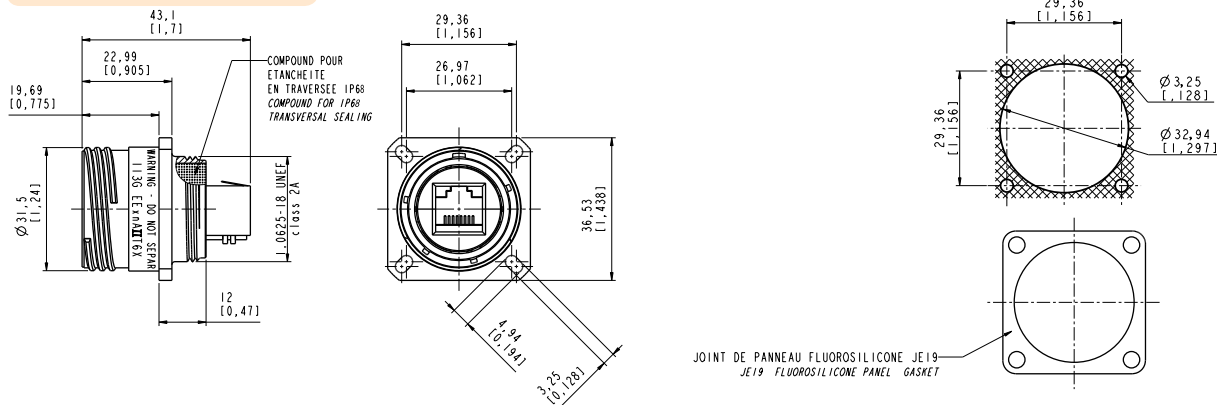


### Characteristics

- Ex marking IIG ExnAII T6 X
- Operating temperature range -40°C / +60°C
- Voltage 60 Veff max
- Power 20 W max
- Outside cable diameter 6mm to 12mm
- Sealing IP68
- Data transmission 10 BaseT, 100 BaseTX & 1000 BaseT networks. Cat. 5e per TIA/EIA 568B & Class D per ISO/IEC 11801

		Nickel plating	Olive drab cadmium plating
<b>Part number</b>	<b>Plug</b>	RJFTVX6MN	RJFTVX6MG
	<b>IP68 metallic cap</b>	RJFTVC6N	RJFTVC6G

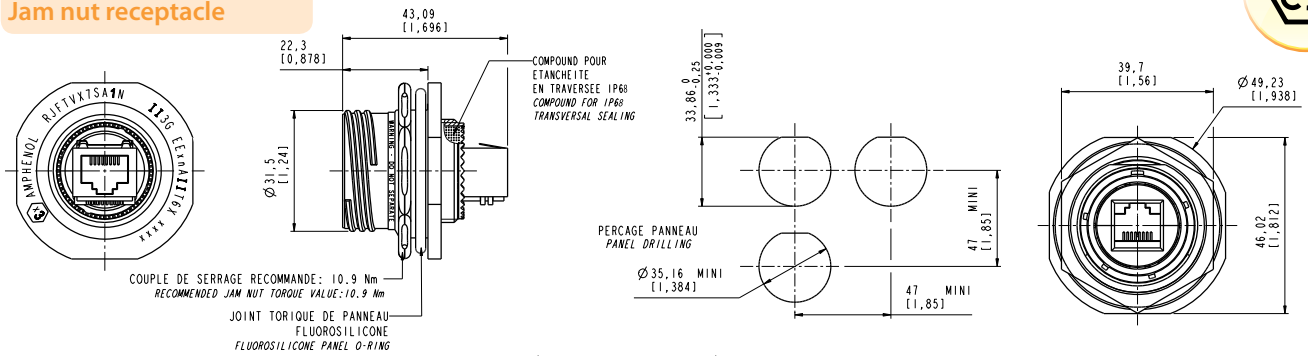
### Square flange receptacle



		Nickel plating	Olive drab cadmium plating
<b>Part number</b>	<b>Receptacle, RJ45 back termination, coding A</b>	RJFTVX2SA1N	RJFTVX2SA1G
	<b>Receptacle cap</b>	RJFTVC2N	RJFTVC2G

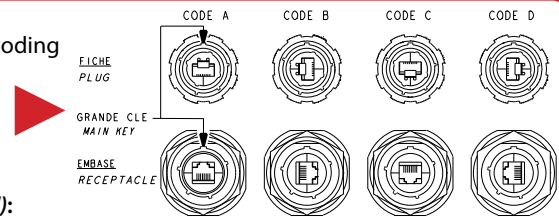


## Jam nut receptacle



		Nickel plating	Olive drab cadmium plating
<b>Part number</b>	Receptacle, RJ45 back termination, coding A	RJFTVX7SA1N	RJFTVX7SA1G
	IP68 metallic cap	RJFTVC7N	RJFTVC7G

**REMARK:** As receptacles are compounded (IP68 transversally sealing), coding position has to be specified in the part number : A (standard), B, C or D



Receptacles can be provided with RJ45 cordsets.

There are 4 standard lengths as described hereunder (with coding "A"):

Part number	Nickel plating	Olive drab cadmium plating	RJ45 cordset length Meters
	RJFTVX2SA2N03100BTX	RJFTVX2SA2G03100BTX	0.3
	RJFTVX2SA2N05100BTX	RJFTVX2SA2G05100BTX	0.5
	RJFTVX2SA2N10100BTX	RJFTVX2SA2G10100BTX	1.0
	RJFTVX2SA2N15100BTX	RJFTVX2SA2G15100BTX	1.5

## Part number code

Series	RJ Field TV	RJFTVX	75	A	2	N	05 100BTX
Shell Type	25 : Square flange receptacle 75: Jam nut receptacle 6 : Plug						
Coding	"A" (Standard) or "B", "C", "D"						
Back Terminations (for receptacles only)	1: Female RJ45 2: RJ45 cordset						
Shell Material and Finish	N: Nickel G: Olive drab cadmium						
Cordset length (for receptacles with "2" back termination only)	03 100BTX: 30 cm [11.81 inches] 05 100 BTX: 50 cm [19.68 inches] 10 100 BTX: 1 meter [39.37 inches] 15 100BTX: 1,5 meters [59.04 inches]						



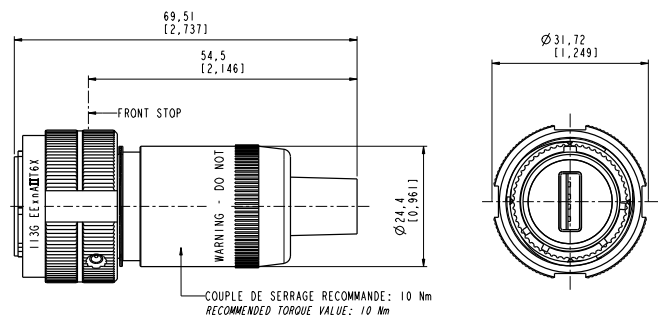
## USBFTVX • Rugged and sealed USB connector



With USBFTVX, you can insert a standard USB 2.0 cordset into a metallic plug which will protect it from shocks, dust and fluids. This range is fitted to be used in Atex zone 2 environments. This metallic plug is connected into a receptacle, using a Tri Start thread coupling mechanism (MIL-DTL-38999 series III type) with anti-decoupling device for high vibrations. USBFTVX features the same main characteristics than USBFTV series (see page 72).

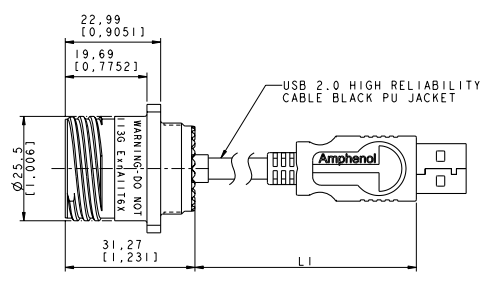
Characteristics	
■ Ex marking	II3G ExnAII6 X
■ Operating temperature range	-40°C / +70°C
■ Voltage	60 Veff max
■ Power	20 W max
■ Outside cable diameter	4mm to 6mm
■ Sealing	IP68
■ Data transmission	USB 2.0 up to 480 Mb/s

### Plug

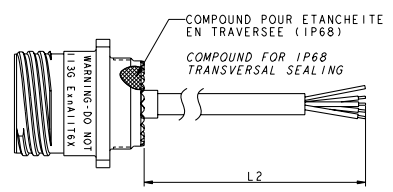


Part number	Plug	Nickel plating	Olive drab cadmium plating
		USBFTVX6N	USBFTVX6G
IP68 metallic cap	USBFTVC6N	USBFTVC6G	

### Square flange receptacle

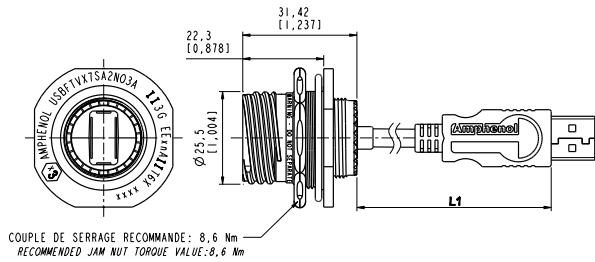


Cable end Type "A" (Standard USB "A" Plug)

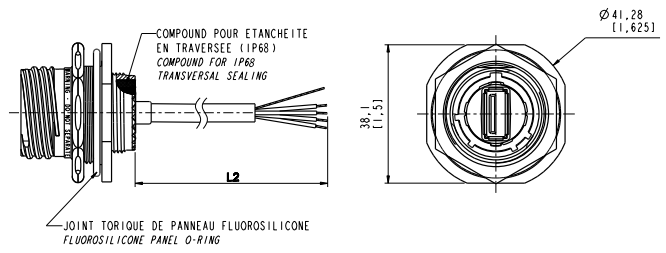


Cable end Type "OPEN" (No connector)

## Jam nut receptacle



Cable end Type "A" (Standard USB "A" Plug)



Cable end Type "OPEN" (No connector)

## Part number code

Series	USBF TVX	2S	A	2	N	03	A
USB Field TV							
Shell Type							
2S :	Square flange receptacle						
7S :	Jam nut receptacle						
Coding							
"A" (Standard) or "B"							
Back Terminations							
2:	Rugged USB cable						
Shells Plating							
N:	Nickel						
G:	Olive drab cadmium plating						
USB cable length							
03:	30 cm [11.81 inches]						
05:	50 cm [19.68 inches]						
10:	1 meter [39.37 inches]						
USB cable end							
A:	Standard USB-A plug						
OPEN:	Open cable (no connector)						

## CAPS for receptacles :

		Nickel plating	Olive drab cadmium plating
Part number FOR	Cap for Square flange receptacle	USBFTVC2N	USBFTVC2G
	Cap for Jam nut receptacle	USBFTVC7N	USBFTVC7G



## RJ11FTVX • Rugged and sealed RJ11/12 connector



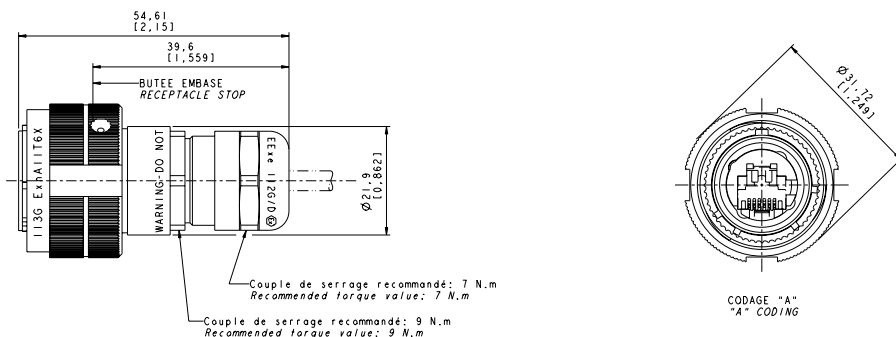
RJ11FTVX allows you to use a standard phone RJ11/RJ12 connection in Atex zone 2 environments.

With the patented RJStop® system you can use a standard RJ11 / RJ12 cordset in a metallic plug which will protect it from shocks, dust and fluids.

### Characteristics

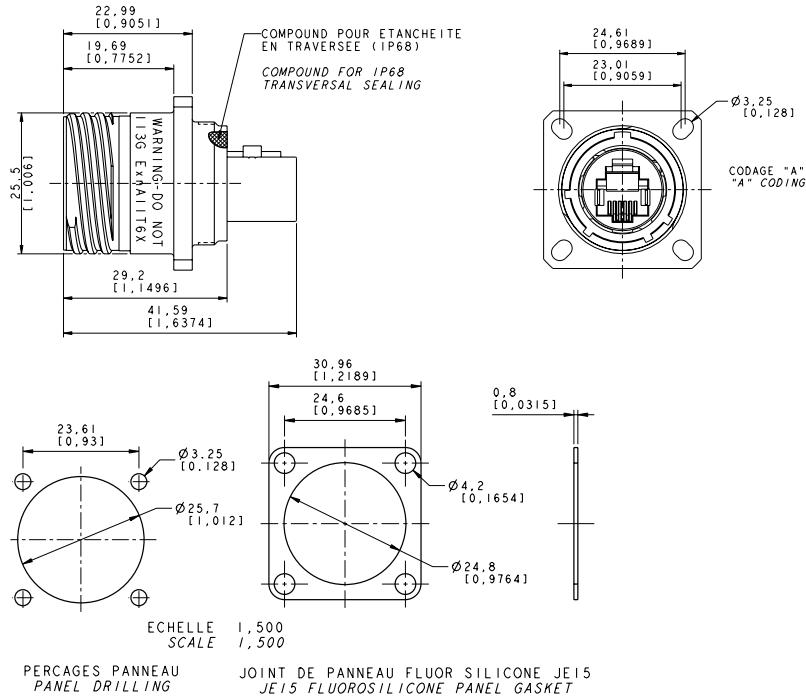
■ Ex marking	II3G ExnAII T6 X
■ Operating temperature range	-40°C / +60°C
■ Voltage	60 Veff max
■ Power	20 W max
■ Outside cable diameter	4mm to 5.5mm
■ Sealing	IP68
■ Coupling mechanism	Tri Star thread with anti-decoupling device (MIL-DTL-38999 series III)
■ Mating cycles	500 min
■ Salt spray	48h with nickel plating / 500 h with olive drab cadmium plating
■ Coding	4 mechanical user-defined coding / Polarization settings (insert rotation)
■ Fire retardant / Low smoke	UL94 V0 and NF16 101 & 16 102
■ R11 cordset retention in the plug	100 N in the Axis

### Plug



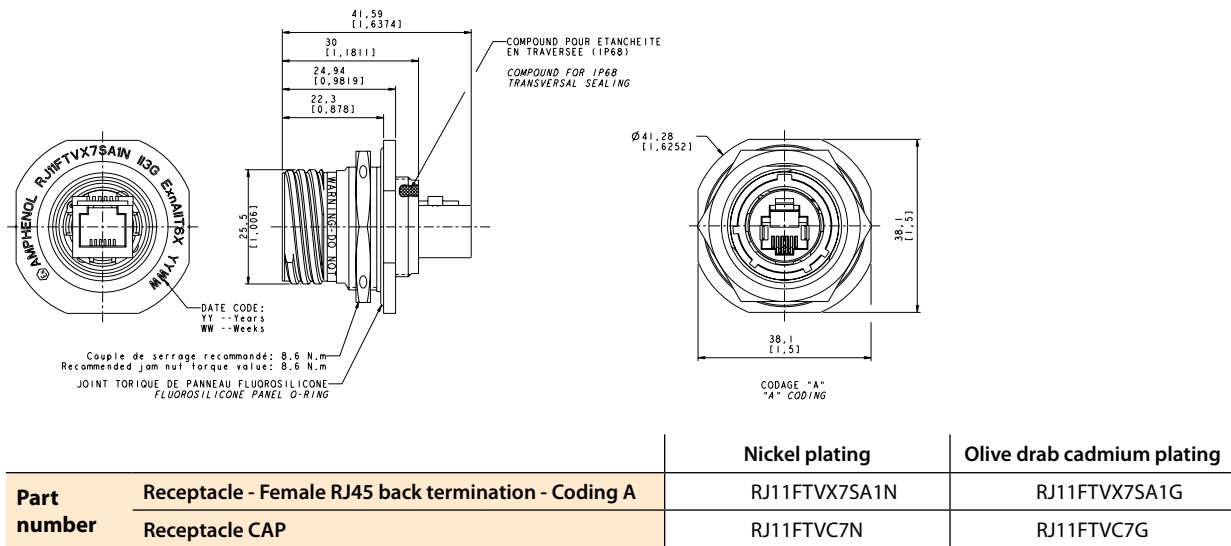
Part number	Nickel plating		Olive drab cadmium plating	
	Plug	RJ11FTVX6MN	RJ11FTVX6MG	
Cap	RJ11FTVC6N	RJ11FTVC6G		

### Square flange receptacle



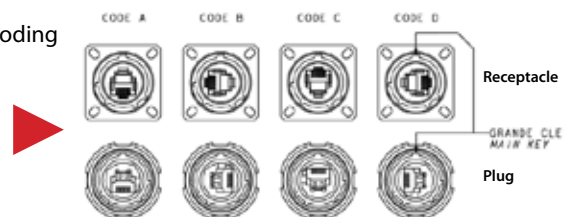
Part number	Receptacle - Female RJ45 back termination - Coding A	Nickel plating	Olive drab cadmium plating
	Receptacle CAP	RJ11FTVX2SA1N	RJ11FTVX2SA1G
		RJ11FTVC2N	RJ11FTVC2G

### Jam nut receptacle



Part number	Receptacle - Female RJ45 back termination - Coding A	Nickel plating	Olive drab cadmium plating
	Receptacle CAP	RJ11FTVX7SA1N	RJ11FTVX7SA1G
		RJ11FTVC7N	RJ11FTVC7G

**REMARK:** As receptacles are compounded (IP68 transversally sealing), coding position has to be specified in the part number : A (standard), B, C or D (connection side views)



## RJSPCEX ATEX ZONE 2 RUGGED & IP68

Sealed ethernet switch



This Ethernet Switch is a combination of rugged packaging with locking device for Zone 2 hazardous location, with fault-tolerant network redundancy.

### Industrial Applications

- Oil & Gas
- Process Control
- Factory Automation

### Outstanding features

- IP65/68 Sealing
- ATEX Zone 2II3G ExnAII T4X (EN60079-15 & EN60079-0)
- Plug and Play simplicity
- Ring redundancy
- Operating temperature: -40°F to 170°F (-40°C to +75°C)

### P/N: RJSPC-EX-5ES1-PLG-CAPS

#### Note: this part number includes:

- One ATEX Zone 2 IP68 Plug and Play Ethernet switch equipped with caps on Ethernet connectors
- One power plug equipped with anti decoupling nut
- Five Ethernet plugs equipped with anti decoupling spring

### Key Features

- Ring Switch Networking Features (managed features available!)
  - Real-Time Ring for ultra-fast fault-tolerant loops
    - Recovery time of 30 ms + 5 ms per hop!
  - Modbus monitoring over Ethernet
    - Ideal for deterministic systems and PLCs
  - Real-time traffic prioritization (QoS and CoS)
    - Assure delivery of real-time data
    - Improve network utilization
    - User settable priority assignments
  - Advanced switch features
    - User configurable port settings
    - Port mirroring for traffic diagnostics
    - Pre-configurable for Plug-And-Play simplicity

### P/N: RJSPC-EX-5RS1-PLG-CAPS

#### Note: this part number includes:

- One ATEX Zone 2 IP68 RING Ethernet switch equipped with caps on Ethernet connectors
- One power plug equipped with anti decoupling nut
- Five Ethernet plugs equipped with anti decoupling spring

### Description (example for Ring model)

- Waterproof IP68 Rating (NEMA 6)
- Reduced Installation Costs with the patented RJStop® system
- Use any standard RJ45 cordset
- Rugged Enclosure in Polyester reinforced with 30% glass fiber
- Redundant power inputs with surge/spike protection
- Ultra reliable 1,000,000 hours Mean Time Between Failure (MTBF)
- Zone 2 hazardous location (models RJSPC-EX)



- 1 LEDs indicating activity, link status, datarate (10/100 Mbps)
- 2 LED indicating ring status
- 3 5 rugged IP68 RJ Field Ethernet ports
- 4 Real-time ring feature
- 5 IP68 polyester enclosure reinforced with glass fiber
- 6 OK power & ring status
- 7 LEDs indicating power
- 8 Anti-decoupling nut for power plug
- 9 Anti-decoupling spring for ethernet plugs

Компания «Океан Электроники» предлагает заключение долгосрочных отношений при поставках импортных электронных компонентов на взаимовыгодных условиях!

Наши преимущества:

- Поставка оригинальных импортных электронных компонентов напрямую с производств Америки, Европы и Азии, а так же с крупнейших складов мира;
- Широкая линейка поставок активных и пассивных импортных электронных компонентов (более 30 млн. наименований);
- Поставка сложных, дефицитных, либо снятых с производства позиций;
- Оперативные сроки поставки под заказ (от 5 рабочих дней);
- Экспресс доставка в любую точку России;
- Помощь Конструкторского Отдела и консультации квалифицированных инженеров;
- Техническая поддержка проекта, помощь в подборе аналогов, поставка прототипов;
- Поставка электронных компонентов под контролем ВП;
- Система менеджмента качества сертифицирована по Международному стандарту ISO 9001;
- При необходимости вся продукция военного и аэрокосмического назначения проходит испытания и сертификацию в лаборатории (по согласованию с заказчиком);
- Поставка специализированных компонентов военного и аэрокосмического уровня качества (Xilinx, Altera, Analog Devices, Intersil, Interpoint, Microsemi, Actel, Aeroflex, Peregrine, VPT, Syfer, Eurofarad, Texas Instruments, MS Kennedy, Miteq, Cobham, E2V, MA-COM, Hittite, Mini-Circuits, General Dynamics и др.);

Компания «Океан Электроники» является официальным дистрибьютором и эксклюзивным представителем в России одного из крупнейших производителей разъемов военного и аэрокосмического назначения «JONHON», а так же официальным дистрибьютором и эксклюзивным представителем в России производителя высокотехнологичных и надежных решений для передачи СВЧ сигналов «FORSTAR».



## JONHON

«JONHON» (основан в 1970 г.)

Разъемы специального, военного и аэрокосмического назначения:

(Применяются в военной, авиационной, аэрокосмической, морской, железнодорожной, горно- и нефтедобывающей отраслях промышленности)

«FORSTAR» (основан в 1998 г.)

ВЧ соединители, коаксиальные кабели, кабельные сборки и микроволновые компоненты:

(Применяются в телекоммуникациях гражданского и специального назначения, в средствах связи, РЛС, а так же военной, авиационной и аэрокосмической отраслях промышленности).



Телефон: 8 (812) 309-75-97 (многоканальный)

Факс: 8 (812) 320-03-32

Электронная почта: [ocean@oceanchips.ru](mailto:ocean@oceanchips.ru)

Web: <http://oceanchips.ru/>

Адрес: 198099, г. Санкт-Петербург, ул. Калинина, д. 2, корп. 4, лит. А