

Power Entry Modules

The industry's most complete line of power entry modules are ideal for products that must conform to FCC Part 15 regulations. These metal cased miniature filters offer high performance.



| | |
|---|-----------|
| Bolt-in Rear Terminals | PF16-PF17 |
| For General Purpose Applications | PF22-PF23 |
| For Medical Applications | PF24-PF25 |
| Bolt-in Right Angle Terminals | PF18-PF19 |
| For PCB Applications | PF46-PF47 |
| High Frequency Attenuation | PF20-PF21 |
| Bolt-in for PCB Applications | PF48-PF49 |
| Snap-in with Wire Leads | PF26-PF27 |
| Bolt-in with Wire Leads | PF28-PF31 |
| Snap-in Mount | PF32-PF33 |
| Fused Filtered | PF34-PF37 |
| For General Purpose Applications | PF34-PF35 |
| For Medical or General Purpose Applications | PF36-PF37 |
| Switched and Fused Filtered | PF38-PF43 |
| PCB Power Filters | PF44-PF45 |

Power Entry Modules Bolt-in Rear Terminals

60-BPR & BPS Series

Features

- Ideally suited for products that must conform to FCC part 15 regulations
- Metal case offers high performance
- Meets over voltage of IEC 664 category II and complies with IEC 950
- Uses IEC connector that meets most safety standards
- Solder lug and Fast-on tab terminals available
- Operating temperature: -25°C to +85°C (including temperature rise, see graph on page PF17)
- UL approved low leakage version also available

Applications

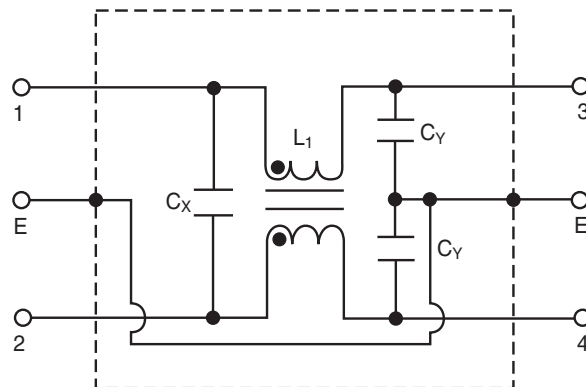
- Digital equipment
- Personal computers and peripherals
- Measuring instruments
- Monitor and display units



Tested and found to be IAW VDE 0565 Part 3.



Circuit Diagram



Specifications

| Model* | Rated Voltage (@ 50/60Hz) | Rated Current | Leakage Current (Max.) | Capacitance | | Inductance (L ₁) | Temperature Rise (Max.) |
|-----------------|---------------------------|---------------|------------------------|----------------|----------------|------------------------------|-------------------------|
| | | | | C _Y | C _X | | |
| 60-XXX-010-3-2 | 250VAC | 1A | 0.35mA | 2200pF ± 20% | .022uF ± 20% | 6.0mH | 30°C |
| 60-XXX-010-3-4 | | | | | .047uF ± 20% | | |
| 60-XXX-010-5-2 | | | 0.50mA | 3300pF ± 20% | .022uF ± 20% | | |
| 60-XXX-010-5-4 | | | | | .047uF ± 20% | | |
| 60-XXX-020-3-2 | 250VAC | 2A | 0.35mA | 2200pF ± 20% | .022uF ± 20% | 2.4mH | 30°C |
| 60-XXX-020-3-4 | | | | | .047uF ± 20% | | |
| 60-XXX-020-5-2 | | | 0.50mA | 3300pF ± 20% | .022uF ± 20% | | |
| 60-XXX-020-5-4 | | | | | .047uF ± 20% | | |
| 60-XXX-030-3-2 | 250VAC | 3A | 0.35mA | 2200pF ± 20% | .022uF ± 20% | 1.2mH | 30°C |
| 60-XXX-030-3-4 | | | | | .047uF ± 20% | | |
| 60-XXX-030-5-2 | | | 0.50mA | 3300pF ± 20% | .022uF ± 20% | | |
| 60-XXX-030-5-4 | | | | | .047uF ± 20% | | |
| 60-XXX-060-3-2 | 250VAC | 6A | 0.35mA | 2200pF ± 20% | .022uF ± 20% | 0.53mH | 45°C |
| 60-XXX-060-3-4 | | | | | .047uF ± 20% | | |
| 60-XXX-060-5-2 | | | 0.50mA | 3300pF ± 20% | .022uF ± 20% | | |
| 60-XXX-060-5-4 | | | | | .047uF ± 20% | | |
| 60-XXX-100-3-2 | 250VAC | 10A | 0.35mA | 2200pF ± 20% | .022uF ± 20% | 0.26mH | 45°C |
| 60-XXX-100-5-2 | | | 0.50mA | 3300pF ± 20% | .022uF ± 20% | | |
| 60-BPR-150-3-11 | 250VAC | 15A | 0.35mA | 2200pF ± 20% | .1uF ± 20% | 0.15mH | 45°C |

Note: Test voltage: 1500VAC one minute, line to ground
 Insulation resistance: 300 Mohm min. at 500VDC
 Voltage drop: 1V max. at rated current
 Weight: 45g
 Input: Compatible with IEC-320

* Substitute BPR or BPS for XXX

BPS - Solder lug terminals
 BPR - Fast-on tab terminals

Power Entry Modules Bolt-in Rear Terminals

60-BPR & BPS Series



Power Entry Modules Bolt-in Right Angle Terminals



60-BPF Series

Features

- Ideally suited for products that must conform to FCC part 15 regulations
- Metal case offers high performance
- Meets over voltage of IEC 664 category II and complies with IEC 950
- Uses IEC connector that meets most safety standards
- PCB mounting types available (see page PF46)
- Length under tab is shortened for small spaces
- Operating temperature: -25°C to +85°C (including temperature rise, see graph on page PF19)
- UL approved low leakage version also available

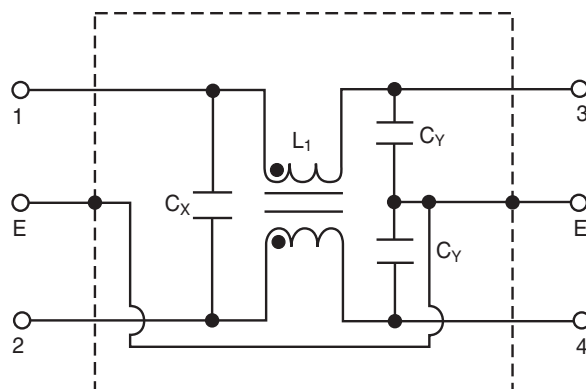


Tested and found to be IAW VDE 0565 Part 3.

Applications

- Digital equipment
- Personal computers and peripherals
- Measuring instruments
- Monitor and display units

Circuit Diagram



Specifications

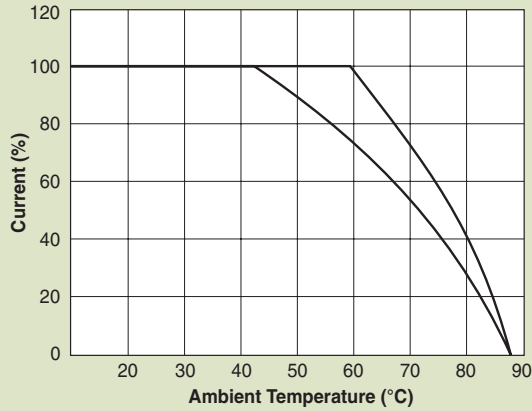
| Model | Rated Voltage (@ 50/60Hz) | Rated Current | Leakage Current (Max.) | Capacitance | | Inductance (L ₁) | Temperature Rise (Max.) |
|----------------|---------------------------|---------------|------------------------|----------------|----------------|------------------------------|-------------------------|
| | | | | C _Y | C _X | | |
| 60-BPF-010-3-2 | 250VAC | 1A | 0.35mA | 2200pF ± 20% | .022uF ± 20% | 6.0mH | 30°C |
| 60-BPF-010-3-4 | | | | | .047uF ± 20% | | |
| 60-BPF-010-5-2 | | | 0.50mA | 3300pF ± 20% | .022uF ± 20% | | |
| 60-BPF-010-5-4 | | | | | .047uF ± 20% | | |
| 60-BPF-020-3-2 | 250VAC | 2A | 0.35mA | 2200pF ± 20% | .022uF ± 20% | 2.4mH | 30°C |
| 60-BPF-020-3-4 | | | | | .047uF ± 20% | | |
| 60-BPF-020-5-2 | | | 0.50mA | 3300pF ± 20% | .022uF ± 20% | | |
| 60-BPF-020-5-4 | | | | | .047uF ± 20% | | |
| 60-BPF-030-3-2 | 250VAC | 3A | 0.35mA | 2200pF ± 20% | .022uF ± 20% | 1.2mH | 30°C |
| 60-BPF-030-3-4 | | | | | .047uF ± 20% | | |
| 60-BPF-030-5-2 | | | 0.50mA | 3300pF ± 20% | .022uF ± 20% | | |
| 60-BPF-030-5-4 | | | | | .047uF ± 20% | | |
| 60-BPF-060-3-2 | 250VAC | 6A | 0.35mA | 2200pF ± 20% | .022uF ± 20% | 0.53mH | 45°C |
| 60-BPF-060-3-4 | | | | | .047uF ± 20% | | |
| 60-BPF-060-5-2 | | | 0.50mA | 3300pF ± 20% | .022uF ± 20% | | |
| 60-BPF-060-5-4 | | | | | .047uF ± 20% | | |

Note: Test voltage: 1500VAC one minute, line to ground
 Insulation resistance: 300 Mohm min. at 500VDC
 Voltage drop: 1V max. at rated current
 Weight: 50g
 Input: Compatible with IEC-320

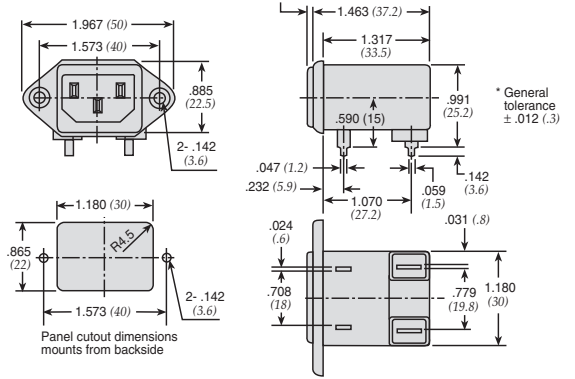
Power Entry Modules Bolt-in Right Angle Terminals

60-BPF Series

Temperature Characteristics

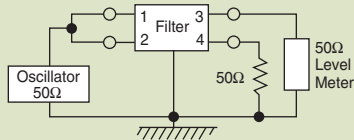


60-BPF Fast-on Terminals

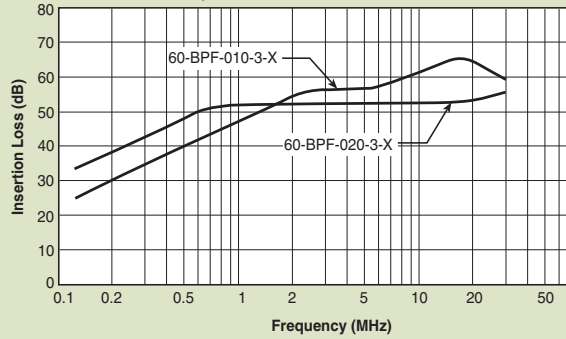


Dimensions in inches (mm)

Common Mode



60-BPF-010;-020



60-BPF-030;-060



Normal Mode



60-BPF-010;-020



60-BPF-030;-060



Power Entry Modules High Frequency Attenuation



60-BHS Series



Tested and found to be
IAW VDE 0565 Part 3.

Features

- Ideally suited for products that must conform to FCC part 15 regulations
- Metal cased miniature filter offers high performance
- Meets over voltage of IEC 664 category II and complies with IEC 950
- PCB mounting types available (see page PF48)
- PCB mounting minimizes space and provides economical installation
- Excellent filtering characteristics for high frequencies
- Earth coil standard
- Operating temperature: -25°C to +85°C (including temperature rise, see graph on page PF21)

Applications

- Digital equipment
- Personal computers and peripherals
- Measuring instruments
- Monitor and display units

Circuit Diagram



Specifications

| Model | Rated Voltage (@ 50/60Hz) | Rated Current | Leakage Current (Max.) | Capacitance | | Inductance (L ₁) (L ₂) | | Temperature Rise (Max.) |
|-----------------|---------------------------|---------------|------------------------|----------------|----------------|--|-------------------|-------------------------|
| | | | | C _Y | C _X | (L ₁) | (L ₂) | |
| 60-BHS-010-3-11 | 250VAC | 1A | 0.35mA | 2200pF ± 20% | 0.1µF ± 20% | 6mH | 18.3µH | 30°C |
| 60-BHS-010-3-4 | | | | | .047µF ± 20% | | | |
| 60-BHS-010-5-11 | | | 0.50mA | 3300pF ± 20% | 0.1µF ± 20% | | | |
| 60-BHS-010-5-4 | | | | | .047µF ± 20% | | | |
| 60-BHS-020-3-11 | 250VAC | 2A | 0.35mA | 2200pF ± 20% | 0.1µF ± 20% | 2.4mH | 18.3µH | 30°C |
| 60-BHS-020-3-4 | | | | | .047µF ± 20% | | | |
| 60-BHS-020-5-11 | | | 0.50mA | 3300pF ± 20% | 0.1µF ± 20% | | | |
| 60-BHS-020-5-4 | | | | | .047µF ± 20% | | | |
| 60-BHS-030-3-11 | 250VAC | 3A | 0.35mA | 2200pF ± 20% | 0.1µF ± 20% | 1.2mH | 18.3µH | 30°C |
| 60-BHS-030-3-4 | | | | | .047µF ± 20% | | | |
| 60-BHS-030-5-11 | | | 0.50mA | 3300pF ± 20% | 0.1µF ± 20% | | | |
| 60-BHS-030-5-4 | | | | | .047µF ± 20% | | | |
| 60-BHS-060-3-11 | 250VAC | 6A | 0.35mA | 2200pF ± 20% | 0.1µF ± 20% | .53mH | 18.3µH | 45°C |
| 60-BHS-060-3-4 | | | | | .047µF ± 20% | | | |
| 60-BHS-060-5-11 | | | 0.50mA | 3300pF ± 20% | 0.1µF ± 20% | | | |
| 60-BHS-060-5-4 | | | | | .047µF ± 20% | | | |

Note: Test voltage: 1500VAC one minute, line to ground
 Insulation resistance: 300 Mohm min. at 500VDC
 Voltage drop: 1V max. at rated current
 Weight: 50g
 Input: Compatible with IEC-320

Power Entry Modules High Frequency Attenuation

60-BHS Series



Power Entry Modules Bolt-in Rear Terminals

For General Purpose Applications



10-BPF Series



Features

- Ideally suited for products that must conform to FCC part 15 regulations
- Metal case offers high performance
- Meets over voltage of IEC 664 category II and complies with IEC 950
- Uses IEC connector that meets most safety standards
- Operating temperature: -25°C to +70°C
- Compact configuration

Applications

- Digital equipment
- Personal computers and peripherals
- Measuring instruments
- Monitor and display units

Circuit Diagram



Specifications

| Model | Rated Voltage (@ 50/60Hz) | Rated Current | Leakage Current (Max.) | Capacitance | | Inductance (L ₁) | Circuit Diagram | Figure | Temperature Rise (Max.) |
|----------------|---------------------------|---------------|------------------------|-----------------|-----------------|------------------------------|-----------------|-----------------|-------------------------|
| | | | | C _Y | C _X | | | | |
| 10-BPF-001-5-A | 120/250VAC | 1A | 0.50mA | 3300pF | 2200pF | 3.0mH | 1 | A | 30°C |
| 10-BPF-001-5-C | | | | | | | | | |
| 10-BPF-003-5-A | | 3A | | 4700pF | 0.01uF | 1.5mH | 2 | B | |
| 10-BPF-003-5-C | | | | | | | | | |
| 10-BPF-003-5-D | | 6A | | 3300pF | 0.5mH | 1 | A | | |
| 10-BPF-006-5-A | | | | | | | | C | |
| 10-BPF-006-5-C | | 10A | | 3300pF & 0.01uF | 3300pF & 0.01uF | 1.5mH | 2 | B | |
| 10-BPF-006-5-D | | | | | | | | | |
| 10-BPF-010-5-A | | 3300pF | | 0.01uF | 0.5mH | 1 | A | | |
| 10-BPF-010-5-D | | | | | | | | 3300pF & 0.01uF | |

Note: Test voltage: 1500VAC one minute, line to ground
 Insulation resistance: 300 Mohm min. at 500VDC
 Voltage drop: 1V max. at rated current
 Weight: 45g
 Input: Compatible with IEC-320

Power Entry Modules Bolt-in Rear Terminals For General Purpose Applications

10-BPF Series

Figure A



Figure B



Figure C



Dimensions in inches (mm)

Common Mode



10-BPF-001;-003



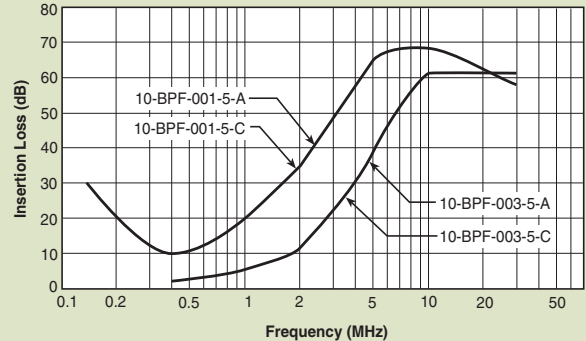
10-BPF-006;-010



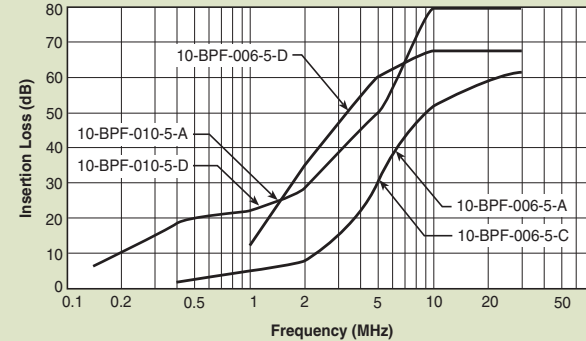
Normal Mode



10-BPF-001;-003



10-BPF-006;-010



Power Entry Modules Bolt-in Rear Terminals

For Medical Purpose Applications



10-BPF Series



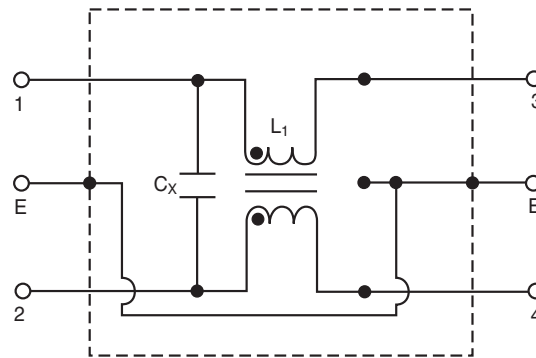
Features

- Ideally suited for products that must conform to FCC part 15 regulations
- Metal case offers high performance
- Meets over voltage of IEC 664 category II and complies with IEC 950
- Uses IEC connector that meets most safety standards
- Operating temperature: -25°C to +70°C
- Compact configuration
- Low leakage current

Applications

- Digital equipment
- Personal computers and peripherals
- Measuring instruments
- Monitor and display units

Circuit Diagram



Specifications

| Model | Rated Voltage (@ 50/60Hz) | Rated Current | Leakage Current (Max.) | Capacitance C _x | Inductance (L ₁) | Circuit Diagram | Figure | Temperature Rise (Max.) |
|----------------|---------------------------|---------------|------------------------|----------------------------|------------------------------|-----------------|--------|-------------------------|
| 10-BPF-001-2-A | 120/250VAC | 1A | 5uA | 0.01uF | 3.0mH | 1 | A | 30°C |
| 10-BPF-003-2-A | | 3A | | | 1.5mH | | | |
| 10-BPF-006-2-A | | 6A | | | 0.5mH | | | |

Note: Test voltage: 1500VAC one minute, line to ground
 Insulation resistance: 300 Mohm min. at 500VDC
 Voltage drop: 1V max. at rated current
 Weight: 45g
 Input: Compatible with IEC-320

Power Entry Modules Bolt-in Rear Terminals For Medical Purpose Applications

10-BPF Series



Dimensions in inches (mm)



Common Mode



10-BPF-001;-003;-006



Normal Mode



10-BPF-001;-003;-006



Power Entry Modules Snap-in with Wire Leads



60-SPL Series

Features

- Ideally suited for products that must conform to FCC part 15 regulations
- Metal cased miniature filter offers high performance
- Meets over voltage of IEC 664 category II and complies with IEC 950
- Uses IEC connector that meets most safety standards
- Snap-in style saves labor and hardware inventory
- Wire output minimizes space and provides economical installation
- Operating temperature: -25°C to +85°C (including temperature rise, see graph on page PF27)

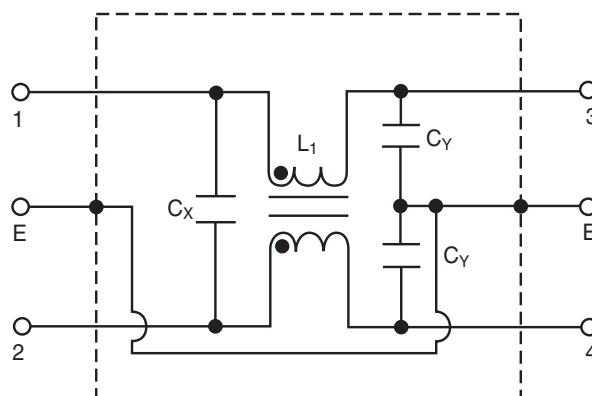


Tested and found to be IAW VDE 0565 Part 3.

Applications

- Digital equipment
- Personal computers and peripherals
- Measuring instruments
- Monitor and display units

Circuit Diagram



Specifications

| Model | Rated Voltage (@ 50/60Hz) | Rated Current | Leakage Current (Max.) | Capacitance | | Inductance (L ₁) | Temperature Rise (Max.) | |
|----------------|---------------------------|---------------|------------------------|----------------|----------------|------------------------------|-------------------------|--------------|
| | | | | C _Y | C _X | | | |
| 60-SPL-010-3-2 | 250VAC | 1A | 0.35mA | 2200pF ± 20% | 22nF ± 20% | 6.0mH | 30°C | |
| 60-SPL-010-3-3 | | | | | 33nF ± 20% | | | |
| 60-SPL-010-5-2 | | | 0.50mA | 3300pF ± 20% | 22nF ± 20% | | | |
| 60-SPL-010-5-3 | | | | | 33nF ± 20% | | | |
| 60-SPL-020-3-2 | 250VAC | 2A | 0.35mA | 2200pF ± 20% | 22nF ± 20% | 2.4mH | 30°C | |
| 60-SPL-020-3-3 | | | | | 33nF ± 20% | | | |
| 60-SPL-020-5-2 | | | 0.50mA | 3300pF ± 20% | 22nF ± 20% | | | |
| 60-SPL-020-5-3 | | | | | 33nF ± 20% | | | |
| 60-SPL-030-3-2 | 250VAC | 3A | 0.35mA | 2200pF ± 20% | .022uF ± 20% | 1.2mH | 30°C | |
| 60-SPL-030-3-3 | | | | 3300pF ± 20% | | | | |
| 60-SPL-030-5-2 | | | 0.50mA | 3300pF ± 20% | 2200pF ± 20% | | | .033uF ± 20% |
| 60-SPL-030-5-3 | | | | | 3300pF ± 20% | | | |
| 60-SPL-060-3-2 | 250VAC | 6A | 0.35mA | 2200pF ± 20% | 22nF ± 20% | 0.53mH | 45°C | |
| 60-SPL-060-3-3 | | | | | 33nF ± 20% | | | |
| 60-SPL-060-5-2 | | | 0.50mA | 3300pF ± 20% | 22nF ± 20% | | | |
| 60-SPL-060-5-3 | | | | | 33nF ± 20% | | | |

Note: Test voltage: 1500VAC one minute, line to ground
 Insulation resistance: 300 Mohm min. at 500VDC
 Voltage drop: 1V max. at rated current
 Weight: 50g
 Input: Compatible with IEC-320

Power Entry Modules Snap-in with Wire Leads

60-SPL Series



Power Entry Modules Bolt-in with Wire Leads



60-BPL Series

Features

- Ideally suited for products that must conform to FCC part 15 regulations
- Metal case filter offers high performance
- Meets over voltage of IEC 664 category II and complies with IEC 950
- Uses IEC connector that meets most safety standards
- Wire output for minimizing space use and economical installation
- Operating temperature: -25°C to +85°C (including temperature rise, see graph on page PF28)



Tested and found to be IAW VDE 0565 Part 3.

Applications

- Digital equipment
- Personal computers and peripherals
- Measuring instruments
- Monitor and display units

Circuit Diagram



Specifications

| Model | Rated Voltage (@ 50/60Hz) | Rated Current | Leakage Current (Max.) | Capacitance | | Inductance (L ₁) | Temperature Rise (Max.) |
|----------------|---------------------------|---------------|------------------------|----------------|----------------|------------------------------|-------------------------|
| | | | | C _Y | C _X | | |
| 60-BPL-010-3-2 | 250VAC | 1A | 0.35mA | 2200pF ± 20% | 22nF ± 20% | 6.0mH | 30°C |
| 60-BPL-010-3-3 | | | | | 33nF ± 20% | | |
| 60-BPL-010-5-2 | | | 0.50mA | 3300pF ± 20% | 22nF ± 20% | | |
| 60-BPL-010-5-3 | | | | | 33nF ± 20% | | |
| 60-BPL-020-3-2 | 250VAC | 2A | 0.35mA | 2200pF ± 20% | 22nF ± 20% | 2.4mH | 30°C |
| 60-BPL-020-3-3 | | | | | 33nF ± 20% | | |
| 60-BPL-020-5-2 | | | 0.50mA | 3300pF ± 20% | 22nF ± 20% | | |
| 60-BPL-020-5-3 | | | | | 33nF ± 20% | | |
| 60-BPL-030-3-2 | 250VAC | 3A | 0.35mA | 2200pF ± 20% | .022uF ± 20% | 1.2mH | 30°C |
| 60-BPL-030-3-3 | | | | 3300pF ± 20% | | | |
| 60-BPL-030-5-2 | | | 0.50mA | 2200pF ± 20% | .033uF ± 20% | | |
| 60-BPL-030-5-3 | | | | | | | |
| 60-BPL-060-3-2 | 250VAC | 6A | 0.35mA | 2200pF ± 20% | 22nF ± 20% | 0.53mH | 45°C |
| 60-BPL-060-3-3 | | | | | 33nF ± 20% | | |
| 60-BPL-060-5-2 | | | 0.50mA | 3300pF ± 20% | 22nF ± 20% | | |
| 60-BPL-060-5-3 | | | | | 33nF ± 20% | | |

Note: Test voltage: 1500VAC one minute, line to ground
 Insulation resistance: 300 Mohm min. at 500VDC
 Voltage drop: 1V max. at rated current
 Weight: 50g
 Input: Compatible with IEC-320

Power Entry Modules Bolt-in with Wire Leads

60-BPL Series



Power Entry Modules Bolt-in with Wire Leads



10-BPL Series



Features

- Ideally suited for products that must conform to FCC part 15 regulations
- Metal case filter offers high performance
- Meets over voltage of IEC 664 category II and complies with IEC 950
- Uses IEC connector that meets most safety standards
- Wire output for minimizing space use and economical installation
- Operating temperature: -25°C to +70°C
- Compact configuration

Applications

- Digital equipment
- Personal computers and peripherals
- Measuring instruments
- Monitor and display units

Circuit Diagram



Specifications

| Model | Rated Voltage (@ 50/60Hz) | Rated Current | Leakage Current (Max.) | Capacitance | | Inductance (L ₁) | Circuit Diagram | Figure | Temperature Rise (Max.) |
|----------------|------------------------------|---------------|---------------------------|----------------|----------------|---------------------------------|-----------------|--------|----------------------------|
| | | | | C _y | C _x | | | | |
| 10-BPL-001-5-B | 250VAC | 1A | 0.50mA | 3300pF | 0.01uF | 3.0mH | 1 | A | 30°C |
| 10-BPL-003-5-B | | 3A | | | | 1.5mH | | | |
| 10-BPL-006-5-B | | 6A | | | | 0.5mH | | | |

Note: Test voltage: 1500VAC one minute, line to ground
 Insulation resistance: 300 Mohm min. at 500VDC
 Voltage drop: 1V max. at rated current
 Weight: 50g
 Input: Compatible with IEC-320

Power Entry Modules Bolt-in with Wire Leads

10-BPL Series

Figure A



Power Entry Modules Snap-in Mount

60-SPR & SPS Series

Features

- Ideally suited for products that must conform to FCC part 15 regulations
- Metal cased miniature filter offers high performance
- Meets over voltage of IEC 664 category II and complies with IEC 950
- Uses IEC connector that meets most safety standards
- Snap-in style saves labor and hardware inventory
- Solder lug and fast-on tab terminations available
- Operating temperature: -25°C to +85°C (including temperature rise, see graph on page PF33)
- UL approved low leakage version also available

Applications

- Digital equipment
- Personal computers and peripherals
- Measuring instruments
- Monitor and display units

Specifications

| Model* | Rated Voltage (@ 50/60Hz) | Rated Current | Leakage Current (Max.) | Capacitance | | Inductance (L ₁) | Temperature Rise (Max.) |
|-----------------|---------------------------|---------------|------------------------|----------------|----------------|------------------------------|-------------------------|
| | | | | C _Y | C _X | | |
| 60-XXX-010-3-2 | 250VAC | 1A | 0.35mA | 2200pF ± 20% | .022uF ± 20% | 6.0mH | 30°C |
| 60-XXX-010-3-4 | | | | | .047uF ± 20% | | |
| 60-XXX-010-5-2 | | | 0.50mA | 3300pF ± 20% | .022uF ± 20% | | |
| 60-XXX-010-5-4 | | | | .047uF ± 20% | | | |
| 60-XXX-020-3-2 | 250VAC | 2A | 0.35mA | 2200pF ± 20% | .022uF ± 20% | 2.4mH | 30°C |
| 60-XXX-020-3-4 | | | | | .047uF ± 20% | | |
| 60-XXX-020-5-2 | | | 0.50mA | 3300pF ± 20% | .022uF ± 20% | | |
| 60-XXX-020-5-4 | | | | .047uF ± 20% | | | |
| 60-XXX-030-3-2 | 250VAC | 3A | 0.35mA | 2200pF ± 20% | .022uF ± 20% | 1.2mH | 30°C |
| 60-XXX-030-3-4 | | | | | .047uF ± 20% | | |
| 60-XXX-030-5-2 | | | 0.50mA | 3300pF ± 20% | .022uF ± 20% | | |
| 60-XXX-030-5-4 | | | | .047uF ± 20% | | | |
| 60-XXX-060-3-2 | 250VAC | 6A | 0.35mA | 2200pF ± 20% | .022uF ± 20% | 0.53mH | 45°C |
| 60-XXX-060-3-4 | | | | | .047uF ± 20% | | |
| 60-XXX-060-5-2 | | | 0.50mA | 3300pF ± 20% | .022uF ± 20% | | |
| 60-XXX-060-5-4 | | | | .047uF ± 20% | | | |
| 60-XXX-100-3-2 | 250VAC | 10A | 0.35mA | 2200pF ± 20% | .022uF ± 20% | 0.26mH | 45°C |
| 60-XXX-100-5-2 | | | 0.50mA | 3300pF ± 20% | | | |
| 60-SPR-150-3-11 | 250VAC | 15A | 0.35mA | 2200pF ± 20% | .1uF ± 20% | 0.15mH | 45°C |

Note: Test voltage: 1500VAC one minute, line to ground
 Insulation resistance: 300 Mohm min. at 500VDC
 Voltage drop: 1V max. at rated current
 Weight: 45g
 Input: Compatible with IEC-320

* Substitute SPR or SPS for XXX
 60-SPR - Fast-on terminals
 60-SPS - Solder lug terminals

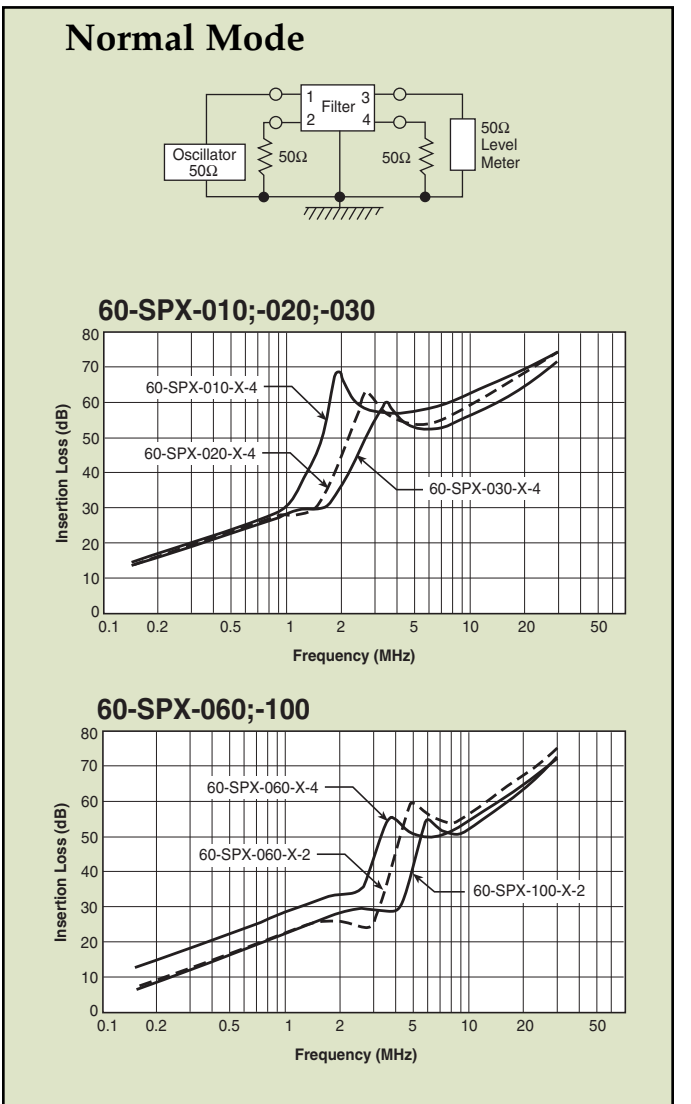


Circuit Diagram



Power Entry Modules Snap-in Mount

60-SPR & SPS Series



Fused Filtered Power Entry Modules

For General Purpose Applications

64-65-BFF/64-65-BFS Series



Tested and found to be IAW VDE 0565 Part 3.

Features

- North American and Metric fuse holders available
- Fuse holder provides effective EMI suppression of common and differential mode
- Suitable for products that must conform to FCC and FTZ requirements
- Meets over voltage category II of IEC 664 and complies with IEC 950
- Fast-on terminals or solder lug terminals
- Metal case provides effective EMI shielding
- Operating temperature: -25°C to +85°C (including temperature rise, see graph on page PF35)

Applications

- Computers and peripheral equipment
- Electronic equipment
- Digital equipment
- Measuring and testing instruments
- Telecommunications equipment



Circuit Diagram



Specifications

| Model* | Rated Voltage (@ 50/60Hz) | Rated Current | Leakage Current (Max.) | Capacitance | | Inductance (L ₁) | Temperature Rise (Max.) |
|-----------------|---------------------------|---------------|------------------------|----------------|----------------|------------------------------|-------------------------|
| | | | | C _Y | C _X | | |
| 64-XXX-020-3-11 | 250VAC | 2A | 0.35mA | 2200pF ± 20% | 0.1uF | 6.5mH | 40°C |
| 64-XXX-020-5-11 | | | 0.50mA | 3300pF ± 20% | | | |
| 64-XXX-020-3-12 | | | 0.35mA | 2200pF ± 20% | 0.22uF | | |
| 64-XXX-020-5-12 | | | 0.50mA | 3300pF ± 20% | | | |
| 64-XXX-040-3-11 | 250VAC | 4A | 0.35mA | 2200pF ± 20% | 0.1uF | 4.2mH | 45°C |
| 64-XXX-040-5-11 | | | 0.50mA | 3300pF ± 20% | | | |
| 64-XXX-040-3-12 | | | 0.35mA | 2200pF ± 20% | 0.22uF | | |
| 64-XXX-040-5-12 | | | 0.50mA | 3300pF ± 20% | | | |
| 64-XXX-060-3-11 | 250VAC | 6A | 0.35mA | 2200pF ± 20% | 0.1uF | 1.6mH | 45°C |
| 64-XXX-060-5-11 | | | 0.50mA | 3300pF ± 20% | | | |
| 64-XXX-060-3-12 | | | 0.35mA | 2200pF ± 20% | 0.22uF | | |
| 64-XXX-060-5-12 | | | 0.50mA | 3300pF ± 20% | | | |
| 65-XXX-020-3-11 | 125VAC | 2A | 0.20mA | 2200pF ± 20% | 0.1uF | 6.5mH | 40°C |
| 65-XXX-020-5-11 | | | 0.25mA | 3300pF ± 20% | | | |
| 65-XXX-020-3-12 | | | 0.20mA | 2200pF ± 20% | 0.22uF | | |
| 65-XXX-020-5-12 | | | 0.25mA | 3300pF ± 20% | | | |
| 65-XXX-040-3-11 | 125VAC | 4A | 0.20mA | 2200pF ± 20% | 0.1uF | 4.2mH | 45°C |
| 65-XXX-040-5-11 | | | 0.25mA | 3300pF ± 20% | | | |
| 65-XXX-040-3-12 | | | 0.20mA | 2200pF ± 20% | 0.22uF | | |
| 65-XXX-040-5-12 | | | 0.25mA | 3300pF ± 20% | | | |
| 65-XXX-060-3-11 | 125VAC | 6A | 0.20mA | 2200pF ± 20% | 0.1uF | 1.6mH | 45°C |
| 65-XXX-060-5-11 | | | 0.25mA | 3300pF ± 20% | | | |
| 65-XXX-060-3-12 | | | 0.20mA | 2200pF ± 20% | 0.22uF | | |
| 65-XXX-060-5-12 | | | 0.25mA | 3300pF ± 20% | | | |

Note: Test Voltage 1500VAC one minute, line to ground
Insulation Resistance: 300 MΩ min. at 500VDC
F(S) = Fast-on or (Solder lug terminals)

Voltage Drop: 1V max. at rated current
Weight: 78g
Inlet: Compatible with IEC-320

* Substitute BFF or BFS for XXX
BFF - Fast-on terminals
BFS - Solder lug terminals

Fused Filtered Power Entry Modules

For General Purpose Applications

64-65-BFF/64-65-BFS Series

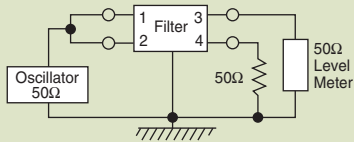
Temperature Characteristics



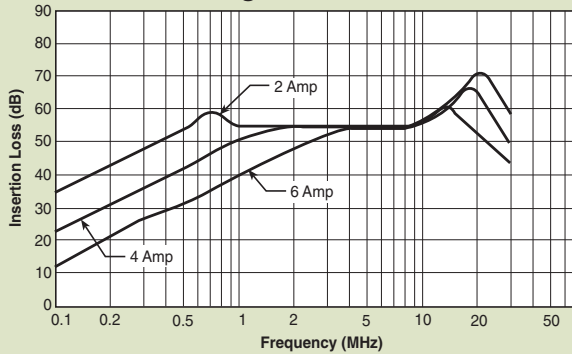
Dimensions 64/65-BFF Series



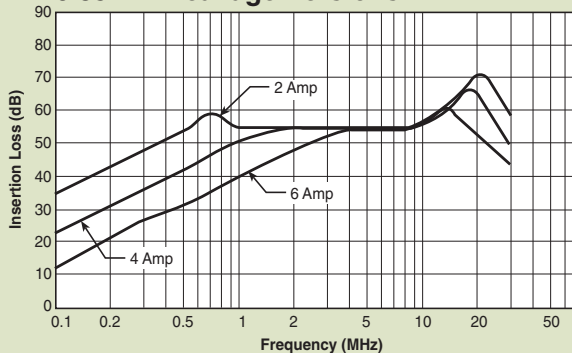
Common Mode



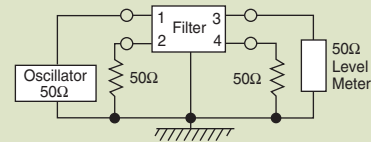
0.50 mA Leakage Versions



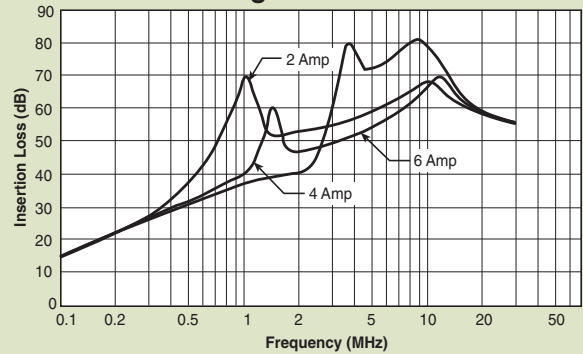
0.35 mA Leakage Versions



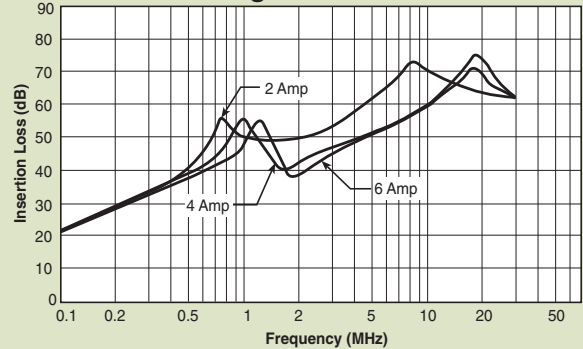
Normal Mode



0.50 mA Leakage Versions



0.35 mA Leakage Versions



Fused Filtered Power Entry Modules

For Medical or General Purpose Applications

66-67-BFF/66-67-BFS Series



Tested and found to be IAW VDE 0565 Part 3.

Features

- Metric and North American fuse holders available
- Fuse holder provides effective EMI suppression of common and differential mode
- Suitable for products that must conform to FCC and FTZ requirements
- Meets over voltage category II of IEC 664 and complies with IEC 950
- Fast-on terminations or solder lug terminations
- Metal case provides effective EMI shielding
- Provides susceptibility protection without the leakage current associated with line-to-ground capacitance
- Reduces the line to ground capacitance in order to meet patient care requirements
- Operating temperature: -25°C to +85°C (including temperature rise, see graph on page PF37)



Applications

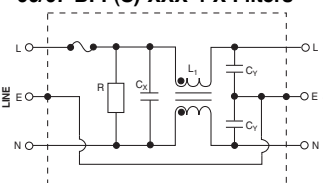
- Medical equipment
- Electronic equipment
- Digital equipment
- Industrial equipment
- Telecommunications equipment
- Measuring and testing instruments
- Personal computers and peripherals

Circuit Diagrams

66/67-BFF(S)-XXX-1-X Filter



66/67-BFF(S)-XXX-0-X and 66/67-BFF(S)-XXX-4-X Filters



Specifications

| Model* | Rated Voltage (@ 50/60Hz) | Rated Current | Leakage Current (Max.) | Capacitance | | Inductance (L ₁) | Temperature Rise (Max.) |
|-----------------|---------------------------|---------------|------------------------|----------------|----------------|------------------------------|-------------------------|
| | | | | C _V | C _X | | |
| 66-XXX-020-1-11 | 250VAC | 2A | 0.01mA | none | none | 6.5mH | 40°C |
| 66-XXX-020-1-12 | | | | | | | |
| 66-XXX-020-0-11 | | | | | | | |
| 66-XXX-020-4-11 | | | | | | | |
| 66-XXX-020-0-12 | | | | | | | |
| 66-XXX-020-4-12 | | | | | | | |
| 66-XXX-040-1-11 | 250VAC | 4A | 0.01mA | none | none | 2.4mH | 45°C |
| 66-XXX-040-1-12 | | | | | | | |
| 66-XXX-040-0-11 | | | | | | | |
| 66-XXX-040-4-11 | | | | | | | |
| 66-XXX-040-0-12 | | | | | | | |
| 66-XXX-040-4-12 | | | | | | | |
| 66-XXX-060-1-11 | 250VAC | 6A | 0.01mA | none | none | 1.6mH | 45°C |
| 66-XXX-060-1-12 | | | | | | | |
| 66-XXX-060-0-11 | | | | | | | |
| 66-XXX-060-4-11 | | | | | | | |
| 66-XXX-060-0-12 | | | | | | | |
| 66-XXX-060-4-12 | | | | | | | |
| 67-XXX-020-1-11 | 125VAC | 2A | 0.005mA | none | none | 6.5mH | 40°C |
| 67-XXX-020-1-12 | | | | | | | |
| 67-XXX-020-0-11 | | | | | | | |
| 67-XXX-020-4-11 | | | | | | | |
| 67-XXX-020-0-12 | | | | | | | |
| 67-XXX-020-4-12 | | | | | | | |
| 67-XXX-040-1-11 | 125VAC | 4A | 0.005mA | none | none | 2.4mH | 45°C |
| 67-XXX-040-1-12 | | | | | | | |
| 67-XXX-040-0-11 | | | | | | | |
| 67-XXX-040-4-11 | | | | | | | |
| 67-XXX-040-0-12 | | | | | | | |
| 67-XXX-040-4-12 | | | | | | | |
| 67-XXX-060-1-11 | 125VAC | 6A | 0.005mA | none | none | 1.6mH | 45°C |
| 67-XXX-060-1-12 | | | | | | | |
| 67-XXX-060-0-11 | | | | | | | |
| 67-XXX-060-4-11 | | | | | | | |
| 67-XXX-060-0-12 | | | | | | | |
| 67-XXX-060-4-12 | | | | | | | |

Note: Test Voltage 1500VAC one minute, line to ground
Insulation Resistance: 300 MΩ min. at 500VDC
F(S) = Fast-on or (Solder lug terminals)

Voltage Drop: 1V max. at rated current
Weight: 78g
Inlet: Compatible with IEC-320

* Substitute BFF or BFS for XXX
BFF - Fast-on terminals
BFS - Solder lug terminals

Fused Filtered Power Entry Modules

For Medical or General Purpose Applications

66-67-BFF/66-67-BFS Series



Dimensions

66-67-BFF/66-67-BFS Series



Switched and Fused Filtered Power Entry Modules

For General Purpose Applications

64-65-BSF/64-65-SSF Series

Features

- North American and Metric fuse holders available
- Fuse holder and double pole power ON/OFF switch provided in a convenient/compact package
- Suitable for products that must conform to FCC and FTZ requirements
- Meets over voltage category II of IEC 664 and complies with IEC 950
- Metal case provides effective EMI shielding
- Easy access fuse drawer with space for spare fuse
- Flange-mounted or snap-in styles available for quick mounting
- Operating temperature: -25°C to +85°C (including temperature rise, see graph on page PF39)



Tested and found to be IAW VDE 0565 Part 3.



Applications

- Computers and peripheral equipment
- Digital equipment
- Electronic equipment
- Measuring and testing instruments
- Telecommunications equipment

Circuit Diagram



Specifications

| Model* | Rated Voltage (@ 50/60Hz) | Rated Current | Leakage Current (Max.) | Capacitance | | | Inductance (L ₁) | Temperature Rise (Max.) |
|-----------------|---------------------------|---------------|------------------------|----------------|-----------------|-----------------|------------------------------|-------------------------|
| | | | | C _Y | C _{X1} | C _{X2} | | |
| 64-XXX-020-3-12 | 250VAC | 2A | 0.35mA | 2200pF | 0.22uF | NONE | 10.5mH | 45°C |
| 64-XXX-020-3-04 | | | | | | 0.22uF | | |
| 64-XXX-020-3-14 | | | | | | NONE | | |
| 64-XXX-020-3-06 | | | 0.22uF | | | | | |
| 64-XXX-020-5-12 | | | 0.50mA | 3300pF | 0.22uF | NONE | | |
| 64-XXX-020-5-04 | | | | | | 0.22uF | | |
| 64-XXX-020-5-14 | NONE | | | | | | | |
| 64-XXX-020-5-06 | 250VAC | 4A | 0.35mA | 2200pF | 0.22uF | NONE | 4.2mH | 45°C |
| 64-XXX-040-3-04 | | | | | | 0.22uF | | |
| 64-XXX-040-3-14 | | | | | | NONE | | |
| 64-XXX-040-3-06 | | | 0.22uF | | | | | |
| 64-XXX-040-5-12 | | | 0.50mA | 3300pF | 0.22uF | NONE | | |
| 64-XXX-040-5-04 | | | | | | 0.22uF | | |
| 64-XXX-040-5-14 | NONE | | | | | | | |
| 64-XXX-040-5-06 | 250VAC | 6A | 0.35mA | 2200pF | 0.22uF | NONE | 1.6mH | 45°C |
| 64-XXX-060-3-04 | | | | | | 0.22uF | | |
| 64-XXX-060-3-14 | | | | | | NONE | | |
| 64-XXX-060-3-06 | | | 0.22uF | | | | | |
| 64-XXX-060-5-12 | | | 0.50mA | 3300pF | 0.22uF | NONE | | |
| 64-XXX-060-5-04 | | | | | | 0.22uF | | |
| 64-XXX-060-5-14 | NONE | | | | | | | |
| 64-XXX-060-5-06 | 125VAC | 2A | 0.20mA | 2200pF | 0.22uF | NONE | 10.5mH | 45°C |
| 65-XXX-020-3-04 | | | | | | 0.22uF | | |
| 65-XXX-020-3-14 | | | | | | NONE | | |
| 65-XXX-020-3-06 | | | 0.22uF | | | | | |
| 65-XXX-020-5-12 | | | 0.25mA | 3300pF | 0.22uF | NONE | | |
| 65-XXX-020-5-04 | | | | | | 0.22uF | | |
| 65-XXX-020-5-14 | NONE | | | | | | | |
| 65-XXX-020-5-06 | 125VAC | 4A | 0.20mA | 2200pF | 0.22uF | NONE | 4.2mH | 45°C |
| 65-XXX-040-3-04 | | | | | | 0.22uF | | |
| 65-XXX-040-3-14 | | | | | | NONE | | |
| 65-XXX-040-3-06 | | | 0.22uF | | | | | |
| 65-XXX-040-5-12 | | | 0.25mA | 3300pF | 0.22uF | NONE | | |
| 65-XXX-040-5-04 | | | | | | 0.22uF | | |
| 65-XXX-040-5-14 | NONE | | | | | | | |
| 65-XXX-040-5-06 | 125VAC | 6A | 0.20mA | 2200pF | 0.22uF | NONE | 1.6mH | 45°C |
| 65-XXX-060-3-04 | | | | | | 0.22uF | | |
| 65-XXX-060-3-14 | | | | | | NONE | | |
| 65-XXX-060-3-06 | | | 0.22uF | | | | | |
| 65-XXX-060-5-12 | | | 0.25mA | 3300pF | 0.22uF | NONE | | |
| 65-XXX-060-5-04 | | | | | | 0.22uF | | |
| 65-XXX-060-5-14 | NONE | | | | | | | |
| 65-XXX-060-5-06 | 125VAC | 2A | 0.20mA | 2200pF | 0.22uF | NONE | 10.5mH | 45°C |
| 65-XXX-060-3-04 | | | | | | 0.22uF | | |
| 65-XXX-060-3-14 | | | | | | NONE | | |
| 65-XXX-060-3-06 | | | 0.22uF | | | | | |
| 65-XXX-060-5-12 | | | 0.25mA | 3300pF | 0.22uF | NONE | | |
| 65-XXX-060-5-04 | | | | | | 0.22uF | | |
| 65-XXX-060-5-14 | NONE | | | | | | | |
| 65-XXX-060-5-06 | 125VAC | 4A | 0.20mA | 2200pF | 0.22uF | NONE | 4.2mH | 45°C |
| 65-XXX-060-3-04 | | | | | | 0.22uF | | |
| 65-XXX-060-3-14 | | | | | | NONE | | |
| 65-XXX-060-3-06 | | | 0.22uF | | | | | |
| 65-XXX-060-5-12 | | | 0.25mA | 3300pF | 0.22uF | NONE | | |
| 65-XXX-060-5-04 | | | | | | 0.22uF | | |
| 65-XXX-060-5-14 | NONE | | | | | | | |
| 65-XXX-060-5-06 | 125VAC | 6A | 0.20mA | 2200pF | 0.22uF | NONE | 1.6mH | 45°C |
| 65-XXX-060-3-04 | | | | | | 0.22uF | | |
| 65-XXX-060-3-14 | | | | | | NONE | | |
| 65-XXX-060-3-06 | | | 0.22uF | | | | | |
| 65-XXX-060-5-12 | | | 0.25mA | 3300pF | 0.22uF | NONE | | |
| 65-XXX-060-5-04 | | | | | | 0.22uF | | |
| 65-XXX-060-5-14 | NONE | | | | | | | |
| 65-XXX-060-5-06 | 125VAC | 2A | 0.20mA | 2200pF | 0.22uF | NONE | 10.5mH | 45°C |
| 65-XXX-060-3-04 | | | | | | 0.22uF | | |
| 65-XXX-060-3-14 | | | | | | NONE | | |
| 65-XXX-060-3-06 | | | 0.22uF | | | | | |
| 65-XXX-060-5-12 | | | 0.25mA | 3300pF | 0.22uF | NONE | | |
| 65-XXX-060-5-04 | | | | | | 0.22uF | | |
| 65-XXX-060-5-14 | NONE | | | | | | | |
| 65-XXX-060-5-06 | 125VAC | 4A | 0.20mA | 2200pF | 0.22uF | NONE | 4.2mH | 45°C |
| 65-XXX-060-3-04 | | | | | | 0.22uF | | |
| 65-XXX-060-3-14 | | | | | | NONE | | |
| 65-XXX-060-3-06 | | | 0.22uF | | | | | |
| 65-XXX-060-5-12 | | | 0.25mA | 3300pF | 0.22uF | NONE | | |
| 65-XXX-060-5-04 | | | | | | 0.22uF | | |
| 65-XXX-060-5-14 | NONE | | | | | | | |
| 65-XXX-060-5-06 | 125VAC | 6A | 0.20mA | 2200pF | 0.22uF | NONE | 1.6mH | 45°C |
| 65-XXX-060-3-04 | | | | | | 0.22uF | | |
| 65-XXX-060-3-14 | | | | | | NONE | | |
| 65-XXX-060-3-06 | | | 0.22uF | | | | | |
| 65-XXX-060-5-12 | | | 0.25mA | 3300pF | 0.22uF | NONE | | |
| 65-XXX-060-5-04 | | | | | | 0.22uF | | |
| 65-XXX-060-5-14 | NONE | | | | | | | |
| 65-XXX-060-5-06 | 125VAC | 2A | 0.20mA | 2200pF | 0.22uF | NONE | 10.5mH | 45°C |
| 65-XXX-060-3-04 | | | | | | 0.22uF | | |
| 65-XXX-060-3-14 | | | | | | NONE | | |
| 65-XXX-060-3-06 | | | 0.22uF | | | | | |
| 65-XXX-060-5-12 | | | 0.25mA | 3300pF | 0.22uF | NONE | | |
| 65-XXX-060-5-04 | | | | | | 0.22uF | | |
| 65-XXX-060-5-14 | NONE | | | | | | | |
| 65-XXX-060-5-06 | 125VAC | 4A | 0.20mA | 2200pF | 0.22uF | NONE | 4.2mH | 45°C |
| 65-XXX-060-3-04 | | | | | | 0.22uF | | |
| 65-XXX-060-3-14 | | | | | | NONE | | |
| 65-XXX-060-3-06 | | | 0.22uF | | | | | |
| 65-XXX-060-5-12 | | | 0.25mA | 3300pF | 0.22uF | NONE | | |
| 65-XXX-060-5-04 | | | | | | 0.22uF | | |
| 65-XXX-060-5-14 | NONE | | | | | | | |
| 65-XXX-060-5-06 | 125VAC | 6A | 0.20mA | 2200pF | 0.22uF | NONE | 1.6mH | 45°C |
| 65-XXX-060-3-04 | | | | | | 0.22uF | | |
| 65-XXX-060-3-14 | | | | | | NONE | | |
| 65-XXX-060-3-06 | | | 0.22uF | | | | | |
| 65-XXX-060-5-12 | | | 0.25mA | 3300pF | 0.22uF | NONE | | |
| 65-XXX-060-5-04 | | | | | | 0.22uF | | |
| 65-XXX-060-5-14 | NONE | | | | | | | |
| 65-XXX-060-5-06 | 125VAC | 2A | 0.20mA | 2200pF | 0.22uF | NONE | 10.5mH | 45°C |
| 65-XXX-060-3-04 | | | | | | 0.22uF | | |
| 65-XXX-060-3-14 | | | | | | NONE | | |
| 65-XXX-060-3-06 | | | 0.22uF | | | | | |
| 65-XXX-060-5-12 | | | 0.25mA | 3300pF | 0.22uF | NONE | | |
| 65-XXX-060-5-04 | | | | | | 0.22uF | | |
| 65-XXX-060-5-14 | NONE | | | | | | | |
| 65-XXX-060-5-06 | 125VAC | 4A | 0.20mA | 2200pF | 0.22uF | NONE | 4.2mH | 45°C |
| 65-XXX-060-3-04 | | | | | | 0.22uF | | |
| 65-XXX-060-3-14 | | | | | | NONE | | |
| 65-XXX-060-3-06 | | | 0.22uF | | | | | |
| 65-XXX-060-5-12 | | | 0.25mA | 3300pF | 0.22uF | NONE | | |
| 65-XXX-060-5-04 | | | | | | 0.22uF | | |
| 65-XXX-060-5-14 | NONE | | | | | | | |
| 65-XXX-060-5-06 | 125VAC | 6A | 0.20mA | 2200pF | 0.22uF | NONE | 1.6mH | 45°C |
| 65-XXX-060-3-04 | | | | | | 0.22uF | | |
| 65-XXX-060-3-14 | | | | | | NONE | | |
| 65-XXX-060-3-06 | | | 0.22uF | | | | | |
| 65-XXX-060-5-12 | | | 0.25mA | 3300pF | 0.22uF | NONE | | |
| 65-XXX-060-5-04 | | | | | | 0.22uF | | |
| 65-XXX-060-5-14 | NONE | | | | | | | |

Note: Test Voltage 1500VAC one minute, line to ground
Insulation Resistance: 300 MΩ min. at 500VDC
B(S) = Bolt-in terminals or (Snap-in terminals)

Voltage Drop: 1V max. at rated current
Weight: 130g
Inlet: Compatible with IEC-320

* **Substitute BSF or SSF for XXX**
BSF - Bolt-in switched and fused
SSF - Snap-in switched and fused

Switched and Fused Filtered Power Entry Modules

For General Purpose Applications

Temperature Characteristics



Dimensions

64/65-BSF Series



64/65-SSF Series



Common Mode



0.35 mA Leakage Versions



0.50 mA Leakage Versions



Normal Mode



64/65-B(S)SF-*-02(04,06)



64/65-B(S)SF-*-11(12,14)



Switched and Fused Filtered Power Entry Modules

For Medical or General Purpose Applications

66-67-BSF/66-67-SSF Series



Tested and found to be IAW VDE 0565 Part 3

Features

- Metric and North American fuse holders available
- Fuse holder and a double pole power ON/OFF switch provides a convenient/compact package
- Suitable for products that must conform to FCC and FTZ requirements
- Meets over voltage category II of IEC 664 and complies with IEC 950
- Provides susceptibility protection without the leakage current associated with line-to-ground capacitors
- Designed to meet requirements for non-patient and patient care equipment
- Metal case provides effective EMI shielding
- Easy access fuse drawer - space for spare fuse
- Flange-mounted or snap-in styles available for quick mounting
- Operating temperature: -25°C to +85°C (including temperature rise, see graph on page PF41)

Specifications

| Model* | Rated Voltage 50/60Hz | Rated Current | Leakage Current (Max.) | Capacitance | | | Temp. Induct. (L ₁) | Rise (Max.) | | |
|-----------------|-----------------------|---------------|------------------------|----------------|-----------------|-----------------|---------------------------------|-------------|-------|------|
| | | | | C _Y | C _{X1} | C _{X2} | | | | |
| 66-XXX-020-0-12 | 250 VAC | 2A | .075mA | 330pF | 0.22uF | NONE | 10.5mH | 40°C | | |
| 66-XXX-020-0-04 | | | | | 0.22uF | NONE | | | | |
| 66-XXX-020-0-14 | | | | | 0.47uF | NONE | | | | |
| 66-XXX-020-0-06 | | | | | 0.22uF | NONE | | | | |
| 66-XXX-020-1-12 | | | | | 0.22uF | NONE | | | | |
| 66-XXX-020-1-04 | | | | | 0.22uF | NONE | | | | |
| 66-XXX-020-1-14 | | | .01mA | NONE | 0.22uF | NONE | | | | |
| 66-XXX-020-1-04 | | | | | 0.22uF | NONE | | | | |
| 66-XXX-020-1-14 | | | | | 0.47uF | NONE | | | | |
| 66-XXX-020-1-06 | | | | | 0.22uF | NONE | | | | |
| 66-XXX-020-4-12 | | | | | 0.22uF | NONE | | | | |
| 66-XXX-020-4-04 | | | | | 0.22uF | NONE | | | | |
| 66-XXX-020-4-14 | | 0.1mA | 470pF | 0.47uF | NONE | | | | | |
| 66-XXX-020-4-06 | | | | 0.22uF | NONE | | | | | |
| 66-XXX-040-0-12 | | | | 4A | .075mA | 330pF | 0.22uF | NONE | 4.2mH | 45°C |
| 66-XXX-040-0-04 | | | | | | | 0.22uF | NONE | | |
| 66-XXX-040-0-14 | | | | | | | 0.47uF | NONE | | |
| 66-XXX-040-0-06 | | | | | | | 0.22uF | NONE | | |
| 66-XXX-040-1-12 | | 0.22uF | NONE | | | | | | | |
| 66-XXX-040-1-04 | | 0.22uF | NONE | | | | | | | |
| 66-XXX-040-1-14 | | .01mA | NONE | | 0.47uF | NONE | | | | |
| 66-XXX-040-1-06 | | | | | 0.22uF | NONE | | | | |
| 66-XXX-040-4-12 | | | | | 0.22uF | NONE | | | | |
| 66-XXX-040-4-04 | | | | | 0.22uF | NONE | | | | |
| 66-XXX-040-4-14 | 0.47uF | | | | NONE | | | | | |
| 66-XXX-040-4-06 | 0.22uF | | | | NONE | | | | | |
| 66-XXX-060-0-12 | 6A | .075mA | 330pF | 0.22uF | NONE | 1.6mH | 45°C | | | |
| 66-XXX-060-0-04 | | | | 0.22uF | NONE | | | | | |
| 66-XXX-060-0-14 | | | | 0.47uF | NONE | | | | | |
| 66-XXX-060-0-06 | | | | 0.22uF | NONE | | | | | |
| 66-XXX-060-1-12 | | | | 0.22uF | NONE | | | | | |
| 66-XXX-060-1-04 | | | | 0.22uF | NONE | | | | | |
| 66-XXX-060-1-14 | | .01mA | NONE | 0.47uF | NONE | | | | | |
| 66-XXX-060-1-06 | | | | 0.22uF | NONE | | | | | |
| 66-XXX-060-4-12 | | | | 0.22uF | NONE | | | | | |
| 66-XXX-060-4-04 | | | | 0.22uF | NONE | | | | | |
| 66-XXX-060-4-14 | | | | 0.47uF | NONE | | | | | |
| 66-XXX-060-4-06 | | | | 0.22uF | NONE | | | | | |



Applications

- Medical equipment
- Industrial equipment
- Telecommunications equipment
- Measuring and testing instruments
- Digital equipment (including switching power supplies)
- General purpose filter for susceptibility or high frequency "clean up" applications

Circuit Diagram

Note: C_{Y1} and C_{Y2} capacitors omitted on 66/67 B(S)F-XXX-1-X Filters



| Model* | Rated Voltage 50/60Hz | Rated Current | Leakage Current (Max.) | Capacitance | | | Temp. Induct. (L ₁) | Rise (Max.) |
|-----------------|-----------------------|---------------|------------------------|----------------|-----------------|-----------------|---------------------------------|-------------|
| | | | | C _Y | C _{X1} | C _{X2} | | |
| 67-XXX-020-0-12 | 125 VAC | 2A | 0.04mA | 330pF | 0.22uF | NONE | 10.5mH | 40°C |
| 67-XXX-020-0-04 | | | | | 0.22uF | NONE | | |
| 67-XXX-020-0-14 | | | | | 0.47uF | NONE | | |
| 67-XXX-020-0-06 | | | | | 0.22uF | NONE | | |
| 67-XXX-020-1-12 | | | | | 0.22uF | NONE | | |
| 67-XXX-020-1-04 | | | | | 0.22uF | NONE | | |
| 67-XXX-020-1-14 | | | .005mA | NONE | 0.47uF | NONE | | |
| 67-XXX-020-1-06 | | | | | 0.22uF | NONE | | |
| 67-XXX-020-4-12 | | | | | 0.22uF | NONE | | |
| 67-XXX-020-4-04 | | | | | 0.22uF | NONE | | |
| 67-XXX-020-4-14 | | | | | 0.47uF | NONE | | |
| 67-XXX-020-4-06 | | | | | 0.22uF | NONE | | |
| 67-XXX-040-0-12 | | 4A | 0.04mA | 330pF | 0.22uF | NONE | 4.2mH | 45°C |
| 67-XXX-040-0-04 | | | | | 0.22uF | NONE | | |
| 67-XXX-040-0-14 | | | | | 0.47uF | NONE | | |
| 67-XXX-040-0-06 | | | | | 0.22uF | NONE | | |
| 67-XXX-040-1-12 | | | | | 0.22uF | NONE | | |
| 67-XXX-040-1-04 | | | | | 0.22uF | NONE | | |
| 67-XXX-040-1-14 | | | .005mA | NONE | 0.47uF | NONE | | |
| 67-XXX-040-1-06 | | | | | 0.22uF | NONE | | |
| 67-XXX-040-4-12 | | | | | 0.22uF | NONE | | |
| 67-XXX-040-4-04 | | | | | 0.22uF | NONE | | |
| 67-XXX-040-4-14 | | | | | 0.47uF | NONE | | |
| 67-XXX-040-4-06 | | | | | 0.22uF | NONE | | |
| 67-XXX-060-0-12 | 6A | 0.04mA | 330pF | 0.22uF | NONE | 1.6mH | 45°C | |
| 67-XXX-060-0-04 | | | | 0.22uF | NONE | | | |
| 67-XXX-060-0-14 | | | | 0.47uF | NONE | | | |
| 67-XXX-060-0-06 | | | | 0.22uF | NONE | | | |
| 67-XXX-060-1-12 | | | | 0.22uF | NONE | | | |
| 67-XXX-060-1-04 | | | | 0.22uF | NONE | | | |
| 67-XXX-060-1-14 | | .005mA | NONE | 0.47uF | NONE | | | |
| 67-XXX-060-1-06 | | | | 0.22uF | NONE | | | |
| 67-XXX-060-4-12 | | | | 0.22uF | NONE | | | |
| 67-XXX-060-4-04 | | | | 0.22uF | NONE | | | |
| 67-XXX-060-4-14 | | | | 0.47uF | NONE | | | |
| 67-XXX-060-4-06 | | | | 0.22uF | NONE | | | |

Note: Test Voltage: 1500VAC one minute, line to ground
Insulation Resistance: 300 MΩ min. at 500VDC
Voltage Drop: 1V max. at rated current

Weight: 130g
Inlet: Compatible with IEC-320
B(S) = Bolt-in terminals or (Snap-in terminals)

* Substitute BSF or SSF for XXX
BSF - Bolt-In Switched and Fused
SSF - Snap-In Switched and Fused

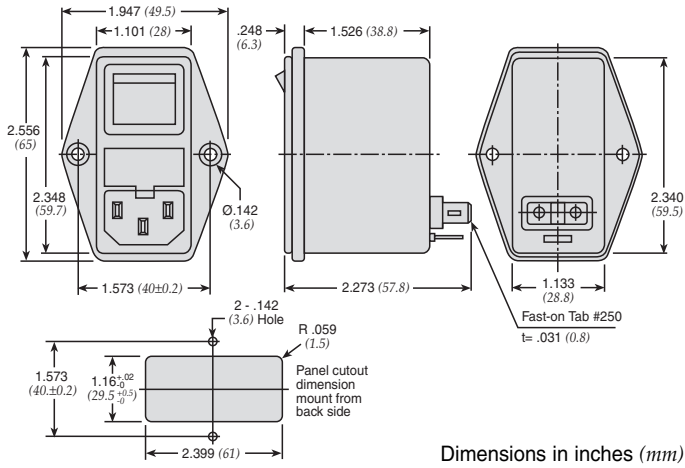
Switched and Fused Filtered Power Entry Modules

For Medical or General Purpose Applications

Temperature Characteristics



Dimensions 66/67-BSF Series



66/67-SSF Series



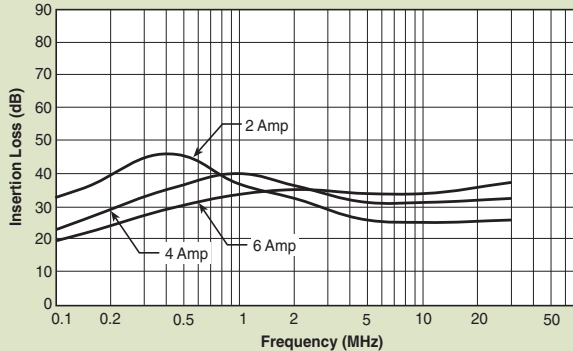
Common Mode



0.01 mA Leakage Current



0.075 and 0.1 mA Leakage Current



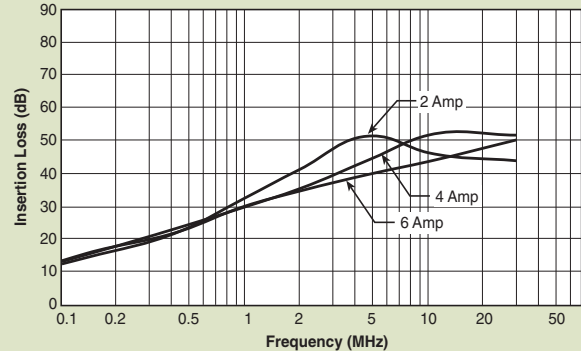
Normal Mode



0.01 mA Leakage Current



0.075 and 0.1 mA Leakage Current



Switched and Fused Filtered Power Entry Modules

Dual Fuse for European Applications



68-BSF Series

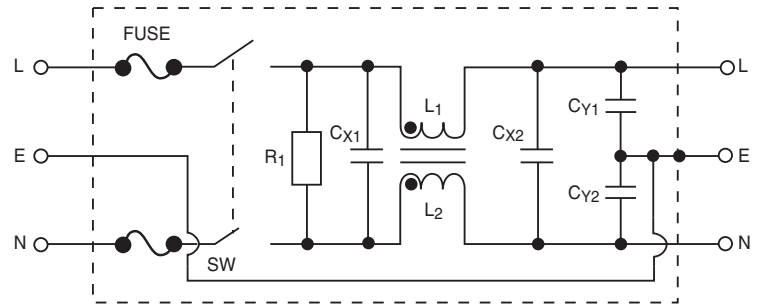
Features

- Dual fuse for European applications
- Fuse holder and double pole power ON/OFF switch provides a convenient/compact package
- Suitable for products that must conform to FCC and FTZ requirements
- Meets over voltage category II of IEC 664 and complies with IEC 950
- Metal case provides effective EMI shielding
- IEC connector meets the safety standards of most certifying agencies
- Easy access fuse drawer
- Flange-mounted
- UL, CSA, and SEMKO approved
- Designed to be in accordance with VDE 0565, part 3
- Operating temperature: -25°C to +85°C (including temperature rise, see graph on page PF43)

Applications

- Computers and peripheral equipment
- Electronic equipment
- Digital equipment
- Measuring and testing instruments
- Telecommunications equipment

Circuit Diagram



Specifications

| Model | Rated Voltage (@ 50/60Hz) | Rated Current | Leakage Current (Max.) | Capacitance | | | | Inductance (L ₁) | Temperature Rise (Max.) |
|-----------------|---------------------------|---------------|------------------------|-----------------|-----------------|-----------------|-----------------|------------------------------|-------------------------|
| | | | | C _{Y1} | C _{Y2} | C _{X1} | C _{X2} | | |
| 68-BSF-020-3-01 | 250VAC | 2A | 0.35mA | 2200pF | 2200pF | 0.1uF | 0.1uF | 10.5mH | 45°C |
| 68-BSF-020-3-04 | | | | | | 0.22uF | 0.22uF | | |
| 68-BSF-040-3-01 | | 4A | | | | 0.1uF | 0.1uF | 4.2mH | |
| 68-BSF-040-3-04 | | | | | | 0.22uF | 0.22uF | | |
| 68-BSF-060-3-01 | | 6A | | | | 0.1uF | 0.1uF | 1.6mH | |
| 68-BSF-060-3-04 | | | | | | 0.22uF | 0.22uF | | |

Note: Test Voltage 1500VAC one minute, line to ground
 Insulation Resistance: 300 MΩ min. at 500VDC
 Voltage Drop: 1V max. at rated current
 Weight: 130g
 Inlet: Compatible with IEC-320
 B(S) = Bolt-in terminals

Switched and Fused Filtered Power Entry Modules

Dual Fuse for European Applications

68-BSF Series



PCB Power Filters Miniature Printed Circuit Board

61-MPC Series



Tested and found to be
IAW VDE 0565 Part 3

Features

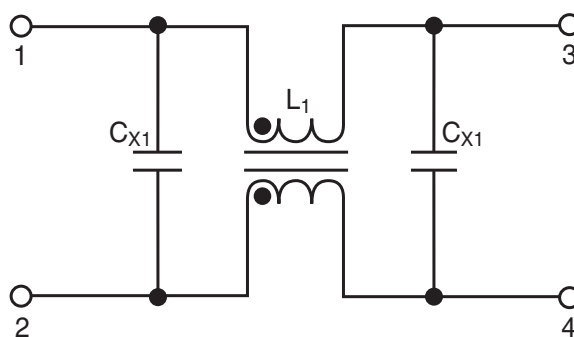
- Miniature general purpose PCB mounted filter
- Requires minimal PCB real estate space
- Low cost
- Designed for two wire cord systems
- For three wire cord systems, Y capacitors can be attached externally
- Operating temperature: -25°C to +85°C (including temperature rise, see graph on page PF45)

Applications

- Personal computers and peripherals
- Digital equipment
- Measuring instruments and medical equipment
- TV & VCR monitors and display units
- Home appliances



Circuit Diagram



Specifications

| Model | Rated Voltage (@ 50/60Hz) | Rated Current | Leakage Current (Max.) | Capacitance | | Inductance (L ₁) | Temperature Rise (Max.) |
|-----------------|---------------------------|---------------|------------------------|-----------------|-----------------|------------------------------|-------------------------|
| | | | | C _{X1} | C _{X2} | | |
| 61-MPC-010-1-11 | 250VAC | 1A | 0.1mA | 0.1uF | 0.1uF | 11mH | 40°C |
| 61-MPC-016-1-11 | | 1.6A | | | | 6.0mH | |
| 61-MPC-025-1-11 | | 2.5A | | | | 2.4mH | |
| 61-MPC-036-1-11 | | 3.6A | | | | 1.2mH | |

Note: Test voltage: 1500VAC one minute, line to ground
Insulation resistance: 300 Mohm min. at 500VDC
Voltage drop: 1V max. at rated current
Weight: 17.5g

PCB Power Filters Miniature Printed Circuit Board

61-MPC Series



Dimensions in inches (mm)

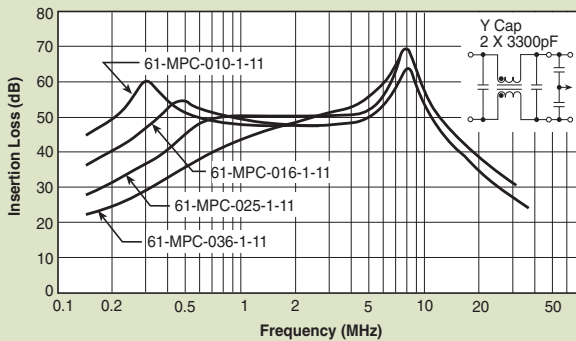
Common Mode



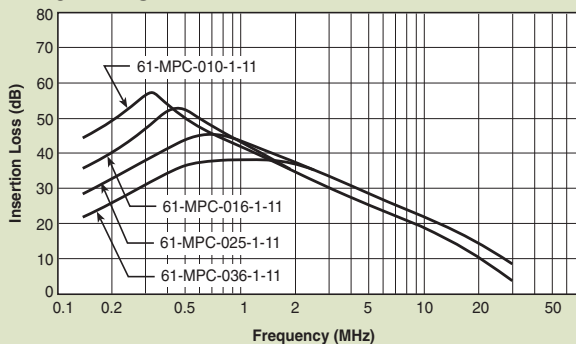
Temperature Characteristics



61-MPC



61-MPC



Normal Mode



61-MPC



Power Entry Modules Bolt-in Right Angle Terminals

for PCB Applications

60-BPP Series



Tested and found to be
IAW VDE 0565 Part 3

Features

- Ideally suited for products that must conform to FCC part 15 regulations
- Metal case offers high performance
- Meets over voltage of IEC 664 category II and complies with IEC 950
- Uses IEC connector that meets most safety standards Solder lug, Fast-on tab styles available (see page PF18)
- PCB mounting style minimizes space and provides economical installation
- Operating temperature: -25°C to +85°C (including temperature rise, see graph on page PF47)
- UL approved low leakage version also available

Applications

- Digital equipment
- Personal computers and peripherals
- Measuring instruments
- Monitor and display units



Circuit Diagram



Specifications

| Model | Rated Voltage (@ 50/60Hz) | Rated Current | Leakage Current (Max.) | Capacitance | | Inductance (L ₁) | Temperature Rise (Max.) | |
|----------------|------------------------------|---------------|---------------------------|----------------|----------------|---------------------------------|----------------------------|------|
| | | | | C _Y | C _X | | | |
| 60-BPP-010-3-2 | 250VAC | 1A | 0.35mA | 2200pF | 0.022uF | 6.0mH | 30°C | |
| 60-BPP-010-3-4 | | | | | 0.047uF | | | |
| 60-BPP-010-5-2 | | | 0.50mA | 3300pF | 0.022uF | | | |
| 60-BPP-010-5-4 | | | | | 0.047uF | | | |
| 60-BPP-020-3-2 | | 2A | 0.35mA | 2200pF | 0.022uF | 2.4mH | | |
| 60-BPP-020-3-4 | | | | | 0.047uF | | | |
| 60-BPP-020-5-2 | | | 0.50mA | 3300pF | 0.022uF | | | |
| 60-BPP-020-5-4 | | | | | 0.047uF | | | |
| 60-BPP-030-3-2 | | 3A | 0.35mA | 2200pF | 0.022uF | 1.2mH | | |
| 60-BPP-030-3-4 | | | | | 0.047uF | | | |
| 60-BPP-030-5-2 | | | 0.50mA | 3300pF | 0.022uF | | | |
| 60-BPP-030-5-4 | | | | | 0.047uF | | | |
| 60-BPP-060-3-2 | | 6A | 0.35mA | 2200pF | 0.022uF | 0.53mH | | 45°C |
| 60-BPP-060-3-4 | | | | | 0.047uF | | | |
| 60-BPP-060-5-2 | | | 0.50mA | 3300pF | 0.022uF | | | |
| 60-BPP-060-5-4 | | | | | 0.047uF | | | |

Note: Test voltage: 1500VAC one minute, line to ground
 Insulation resistance: 300 Mohm min. at 500VDC
 Voltage drop: 1V max. at rated current
 Weight: 50g
 Input: Compatible with IEC-320

Power Entry Modules Bolt-in Right Angle Terminals

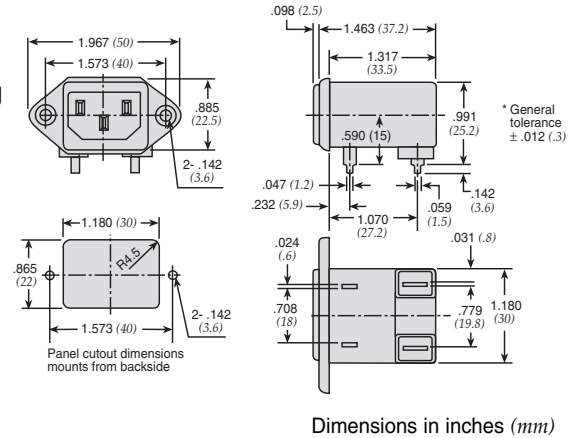
for PCB Applications

60-BPP Series

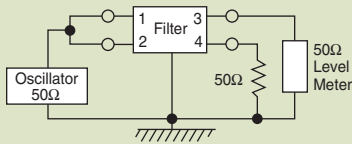
Temperature Characteristics



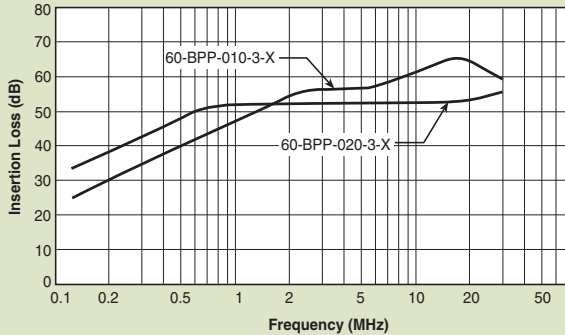
60-BPP PCB Mounting Type



Common Mode



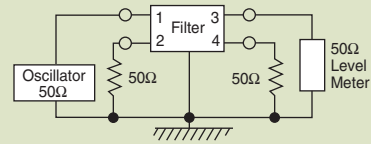
60-BPP-010;-020



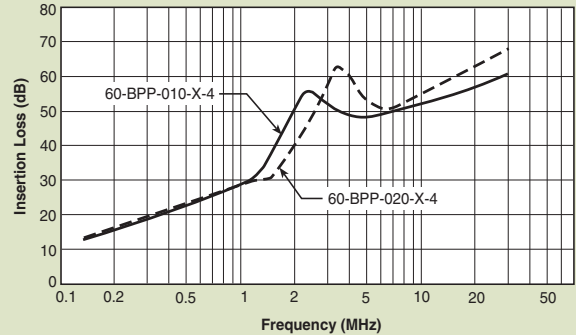
60-BPP-030;-060



Normal Mode



60-BPP-010;-020



60-BPP-030;-060



Power Entry Modules High Frequency Attenuation

Bolt-in for PCB Applications

60-BHP Series



Tested and found to be
IAW VDE 0565 Part 3

Features

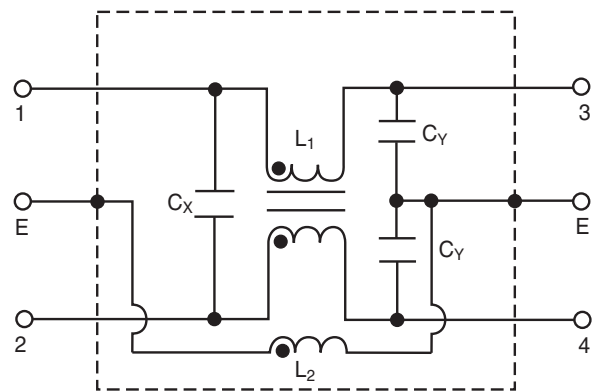
- Ideally suited for products that must conform to FCC part 15 regulations
- Metal cased filter offers high performance
- Meets over voltage of IEC 664 category II and complies with IEC 950
- Solder lug, Fast-on tab styles available (see page PF20)
- PCB mounting minimizes space and provides economical installation
- Excellent filtering characteristics for high frequencies
- Earth coil standard
- Operating temperature: -25°C to +85°C (including temperature rise, see graph on page PF49)

Applications

- Digital equipment
- Personal computers and peripherals
- Measuring instruments
- Monitor and display units



Circuit Diagram



Specifications

| Model | Rated Voltage (@ 50/60Hz) | Rated Current | Leakage Current (Max.) | Capacitance | | Inductance | | Temperature Rise (Max.) |
|-----------------|------------------------------|---------------|---------------------------|----------------|----------------|-------------------|-------------------|-------------------------|
| | | | | C _Y | C _X | (L ₁) | (L ₂) | |
| 60-BHP-010-3-11 | 250VAC | 1A | 0.35mA | 2200pF±20% | 0.1uF±20% | 6mH | 18.3 uH | 30°C |
| 60-BHP-010-3-4 | | | | | .047uF±20% | | | |
| 60-BHP-010-5-11 | | | 0.50mA | 3300pF±20% | 0.1uF±20% | | | |
| 60-BHP-010-5-4 | | | | | .047uF±20% | | | |
| 60-BHP-020-3-11 | | 2A | 0.35mA | 2200pF±20% | 0.1uF±20% | 2.4mH | | |
| 60-BHP-020-3-4 | | | | | .047uF±20% | | | |
| 60-BHP-020-5-11 | | | 0.50mA | 3300pF±20% | 0.1uF±20% | | | |
| 60-BHP-020-5-4 | | | | | .047uF±20% | | | |
| 60-BHP-030-3-11 | | 3A | 0.35mA | 2200pF±20% | 0.1uF±20% | 1.2mH | | |
| 60-BHP-030-3-4 | | | | | .047uF±20% | | | |
| 60-BHP-030-5-11 | | | 0.50mA | 3300pF±20% | 0.1uF±20% | | | |
| 60-BHP-030-5-4 | | | | | .047uF±20% | | | |
| 60-BHP-060-3-11 | | 6A | 0.35mA | 2200pF±20% | 0.1uF±20% | 0.53mH | | 45°C |
| 60-BHP-060-3-4 | | | | | .047uF±20% | | | |
| 60-BHP-060-5-11 | | | 0.50mA | 3300pF±20% | 0.1uF±20% | | | |
| 60-BHP-060-5-4 | | | | | .047uF±20% | | | |

Note: Test voltage: 1500VAC one minute, line to ground
 Insulation resistance: 300 Mohm min. at 500VDC
 Voltage drop: 1V max. at rated current
 Weight: 50g
 Input: Compatible with IEC-320

Power Entry Modules High Frequency Attenuation

Bolt-in for PCB Applications

60-BHP Series



60-BHP PCB Mounting Type



Компания «Океан Электроники» предлагает заключение долгосрочных отношений при поставках импортных электронных компонентов на взаимовыгодных условиях!

Наши преимущества:

- Поставка оригинальных импортных электронных компонентов напрямую с производств Америки, Европы и Азии, а так же с крупнейших складов мира;
- Широкая линейка поставок активных и пассивных импортных электронных компонентов (более 30 млн. наименований);
- Поставка сложных, дефицитных, либо снятых с производства позиций;
- Оперативные сроки поставки под заказ (от 5 рабочих дней);
- Экспресс доставка в любую точку России;
- Помощь Конструкторского Отдела и консультации квалифицированных инженеров;
- Техническая поддержка проекта, помощь в подборе аналогов, поставка прототипов;
- Поставка электронных компонентов под контролем ВП;
- Система менеджмента качества сертифицирована по Международному стандарту ISO 9001;
- При необходимости вся продукция военного и аэрокосмического назначения проходит испытания и сертификацию в лаборатории (по согласованию с заказчиком);
- Поставка специализированных компонентов военного и аэрокосмического уровня качества (Xilinx, Altera, Analog Devices, Intersil, Interpoint, Microsemi, Actel, Aeroflex, Peregrine, VPT, Syfer, Eurofarad, Texas Instruments, MS Kennedy, Miteq, Cobham, E2V, MA-COM, Hittite, Mini-Circuits, General Dynamics и др.);

Компания «Океан Электроники» является официальным дистрибьютором и эксклюзивным представителем в России одного из крупнейших производителей разъемов военного и аэрокосмического назначения «JONHON», а так же официальным дистрибьютором и эксклюзивным представителем в России производителя высокотехнологичных и надежных решений для передачи СВЧ сигналов «FORSTAR».



JONHON

«JONHON» (основан в 1970 г.)

Разъемы специального, военного и аэрокосмического назначения:

(Применяются в военной, авиационной, аэрокосмической, морской, железнодорожной, горно- и нефтедобывающей отраслях промышленности)

«FORSTAR» (основан в 1998 г.)

ВЧ соединители, коаксиальные кабели, кабельные сборки и микроволновые компоненты:

(Применяются в телекоммуникациях гражданского и специального назначения, в средствах связи, РЛС, а так же военной, авиационной и аэрокосмической отраслях промышленности).



Телефон: 8 (812) 309-75-97 (многоканальный)

Факс: 8 (812) 320-03-32

Электронная почта: ocean@oceanchips.ru

Web: <http://oceanchips.ru/>

Адрес: 198099, г. Санкт-Петербург, ул. Калинина, д. 2, корп. 4, лит. А