



STEVAL-TDR015V1

Demonstration board using the PD54008L-E for 2-way UHF radio

Features

- Excellent thermal stability
- Frequency: 400 - 470 MHz
- Supply voltage: 7.2 V
- Output power: 8 W
- Power gain: 12.0 ± 1.0 dB
- Efficiency: 56 % - 68 %
- Load mismatch: 20:1
- BeO-free amplifier



Description

The STEVAL-TDR015V1 is a demonstration board using the PD54008L-E LDMOS transistor. It is designed for 2-way UHF portable radio applications.

Table 1. Device summary

Part number	Mechanical specification
STEVAL-TDR015V1	L = 60 mm, W = 30 mm

Contents

1	Electrical characteristics	3
2	Impedance	4
3	Typical performance	5
4	Test circuit	7
5	Circuit layout	9
6	Revision history	10

1 Electrical characteristics

$T_A = +25\text{ °C}$, $V_{DD} = 7.5\text{ V}$, $I_{dq} = 50\text{ mA}$

Table 2. Electrical specifications

Symbol	Test conditions	Min.	Typ.	Max.	Unit
Freq	Frequency range	400		470	MHz
P _{OUT}		7	8		W
Gain	@ P _{OUT} = 8 W		12.0 ± 1.0		dB
ND	@ P _{OUT} = 8 W		56 - 68		%
H2	2nd harmonic @ P _{OUT} = 8 W		-28 / -44		dBc
H3	3rd harmonic @ P _{OUT} = 8 W		-58 / -61		dBc
VSWR	Load mismatch all phases @ P _{OUT} = 8 W			20:1	

2 Impedance

Figure 1. Impedance illustration

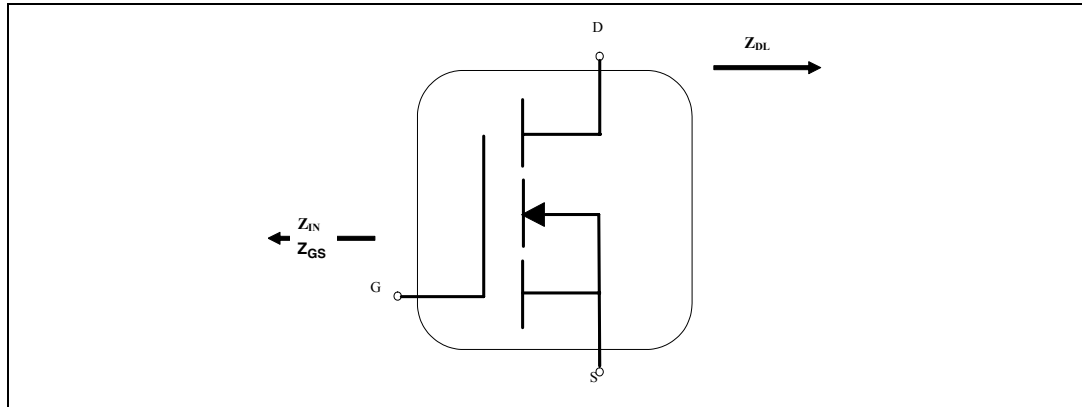


Table 3. Impedance data

F (MHz)	Z_{GS}	Z_{DL}
400	$1.588 + j3.459$	$2.128 + j1.795$
410	$1.772 + j3.516$	$2.175 + j2.026$
420	$1.912 + j3.440$	$2.236 + j2.266$
430	$1.827 + j3.236$	$2.304 + j2.465$
440	$1.432 + j3.145$	$2.341 + j2.630$
450	$0.982 + j3.368$	$2.385 + j2.771$
460	$0.682 + j3.742$	$2.422 + j2.844$
470	$0.521 + j4.204$	$2.410 + j2.888$

3 Typical performance

Figure 2. Output power vs. input power Figure 3. Gain and efficiency vs. output power Freq = 400 Mhz

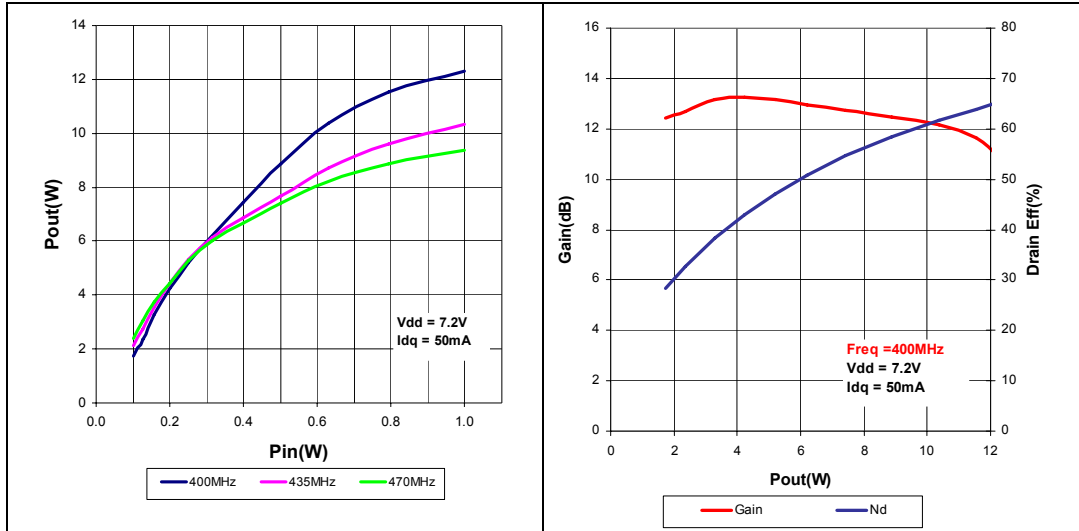


Figure 4. Gain and efficiency vs. output power Freq = 435 Mhz Figure 5. Gain and efficiency vs. output power Freq = 470 Mhz

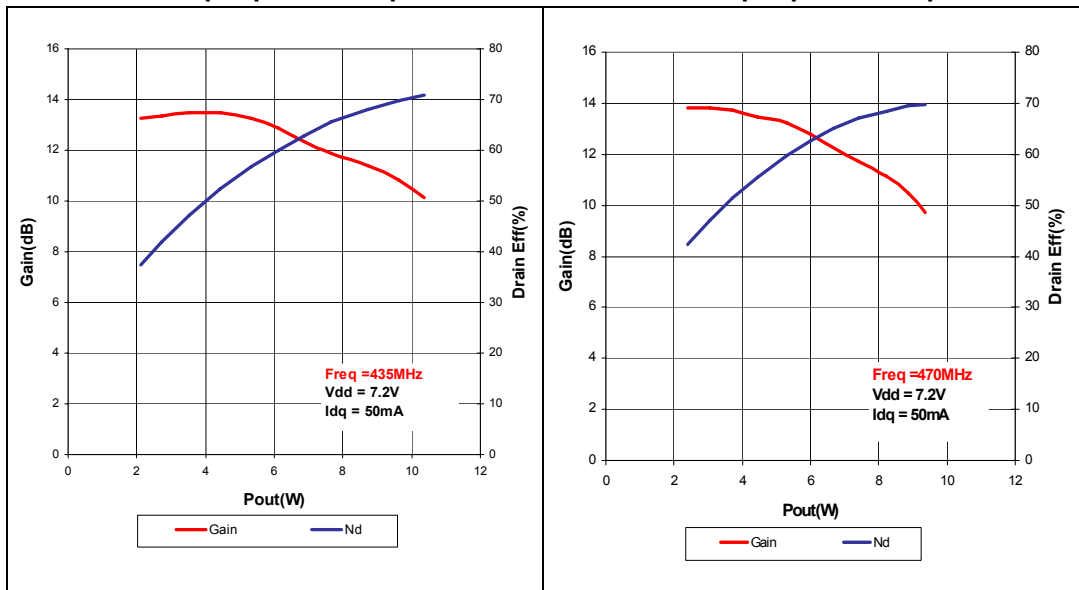


Figure 6. Gain and efficiency vs frequency
 $P_{OUT} = 7\text{ W}$

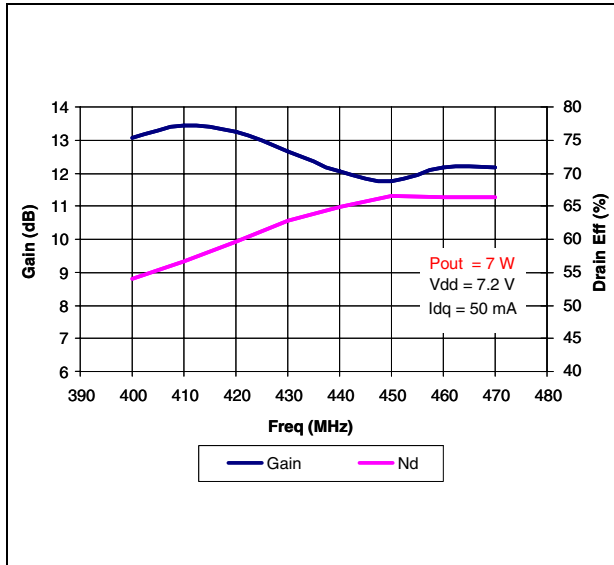


Figure 7. Gain and efficiency vs frequency
 $P_{OUT} = 8\text{ W}$

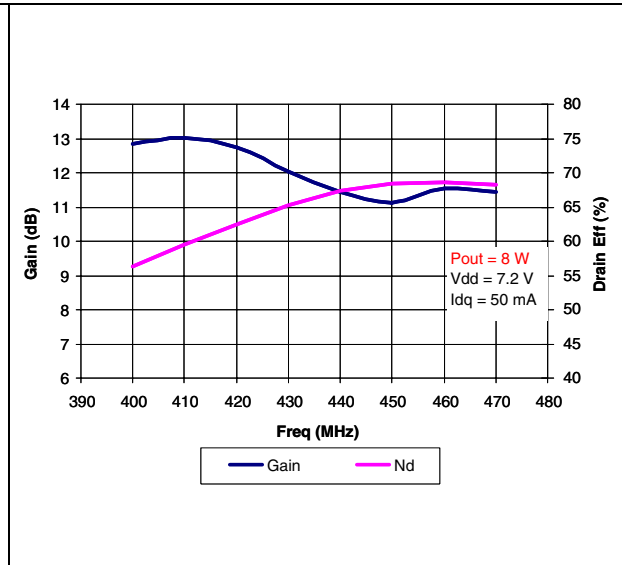


Figure 8. Input return loss vs frequency

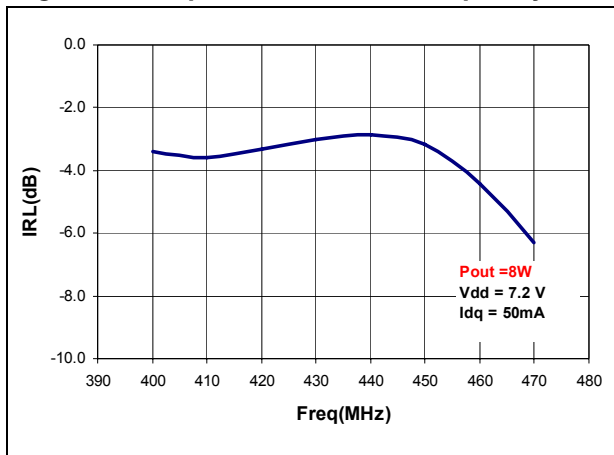


Figure 9. Harmonics vs frequency

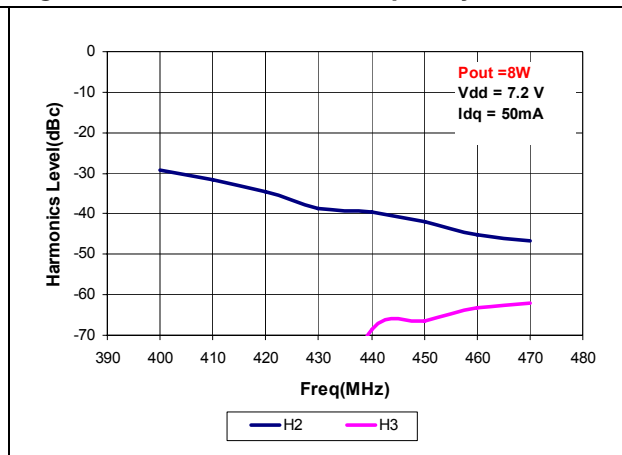
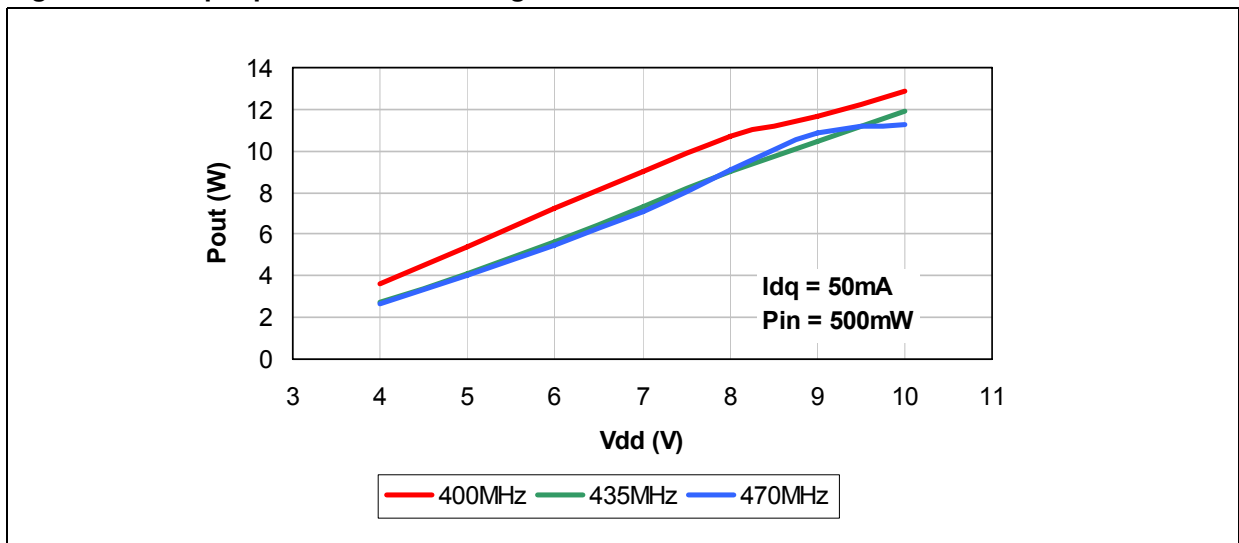


Figure 10. Output power vs drain voltage



4 Test circuit

Figure 11. Test circuit schematic

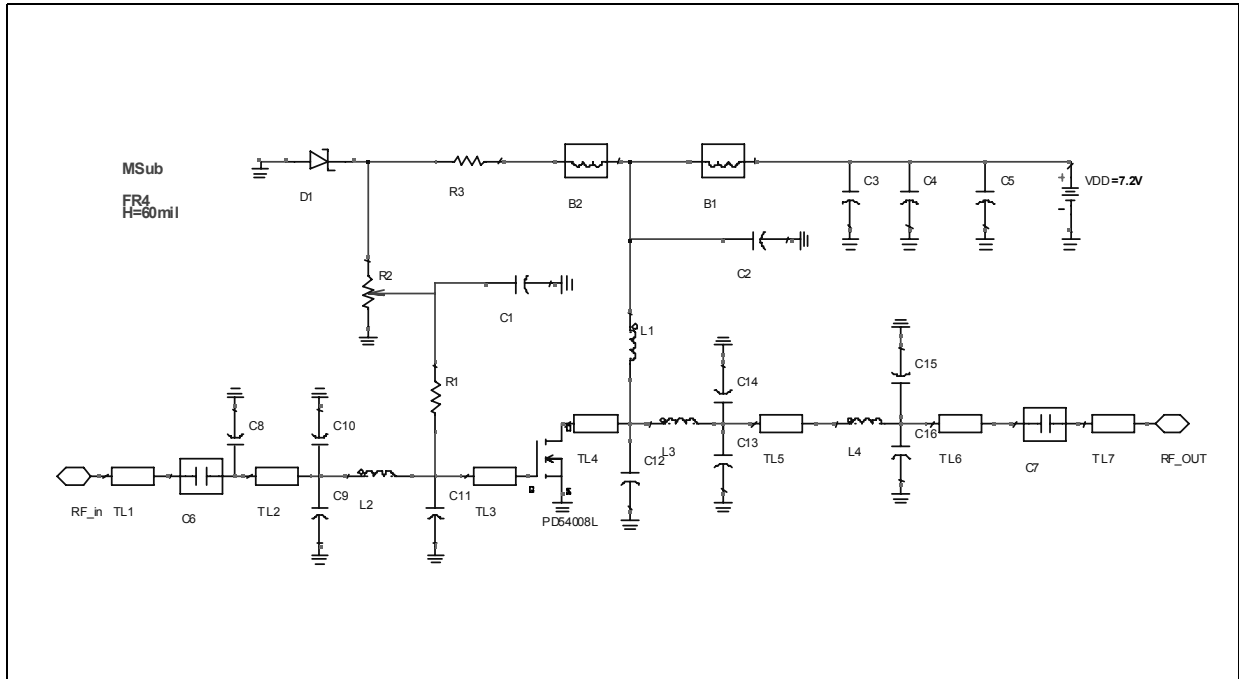


Table 4. Part list

Component ID	Description	Value	Case size	Manufacturer	Part code
C4	Capacitor	10 nF	1206	Murata	GRM42-6X7R104K50
C3	Capacitor	1 nF	1206	Murata	GRM42-6C0G102J50
C1	Capacitor	120 pF	1206	Murata	GRM42-6C0G121J50
C2	Capacitor	120 pF	1206	Murata	GRM42-6C0G121J50
C6	Capacitor	120 pF	100B	ATC	121
C7	Capacitor	120 pF	100B	ATC	121
C8	Capacitor	2 pF	100B	ATC	2R0
C9	Capacitor	13 pF	100B	ATC	130
C10	Capacitor	20 pF	100B	ATC	200
C11	Capacitor	62 pF	100A	ATC	620
C12	Capacitor	43 pF	100A	ATC	430
C13	Capacitor	4.3 pF	100B	ATC	4R3
C14	Capacitor	15 pF	100B	ATC	150
C15	Capacitor	3 pF	100B	ATC	3R0
C16	Capacitor	6.8 pF	100B	ATC	6R8

Table 4. Part list (continued)

Component ID	Description	Value	Case size	Manufacturer	Part code
C5	Capacitor	10 uF	SMT	Panasonic	EEVHB1V100P
B2	Ferrite bead			Panasonic	EXCELDRC35C
B1	Ferrite bead			Panasonic	EXCELDRC35C
L1	Inductor	35.5 nH		Coilcraft	B09T
R2	Potentiometer	10 kΩ		Bourns Electronics	3214W-1-103E
R3	Resistor	1 kΩ	1206	Tyco Electronics	01623440-1
R1	Resistor	15 Ω	1206	Tyco Electronics	01623429-1
RF in	SMA-CONN			Johnson	142-0701-801
RF out	SMA-CONN			Johnson	142-0701-801
TL1	Transmission line	W=2.87 mm	L=8.6 mm		
TL2	Transmission line	W=2.87 mm	L=11.7 mm		
TL3	Transmission line	W=4.90 mm	L=5.6 mm		
TL4	Transmission line	W=4.90 mm	L=5.8 mm		
TL5	Transmission line	W=2.87 mm	L=6.4 mm		
TL6	Transmission line	W=2.87 mm	L=4.5 mm		
TL7	Transmission line	W=2.87 mm	L=6.8 mm		
D1	Zener diode	5.1 V	SOD110	Philips	BZX284C5V1
L2	2.55 nH	0906		Coilcraft	0906-3
L3	1.65 nH	0906		Coilcraft	0906-2
L4	3.85 nH	0906		Coilcraft	0906-4
PD54008L	LDMOS			STMicroelectronics	PD54008L
Board: FR-4 THk=0.060" 2 OZ Cu both sides					

5 Circuit layout

Figure 12. Test fixture component layout

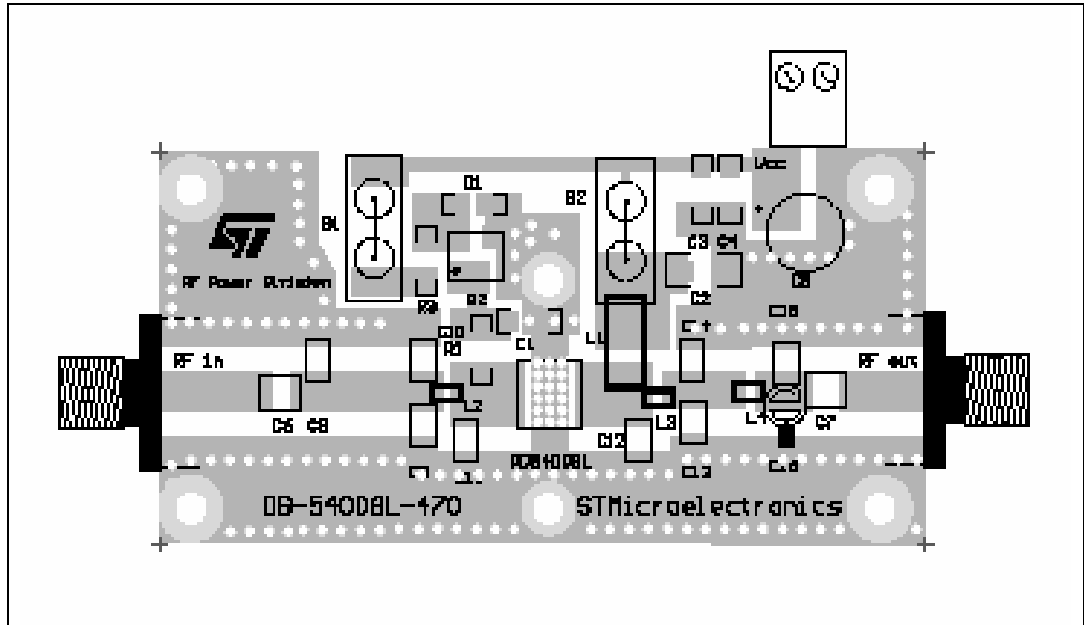
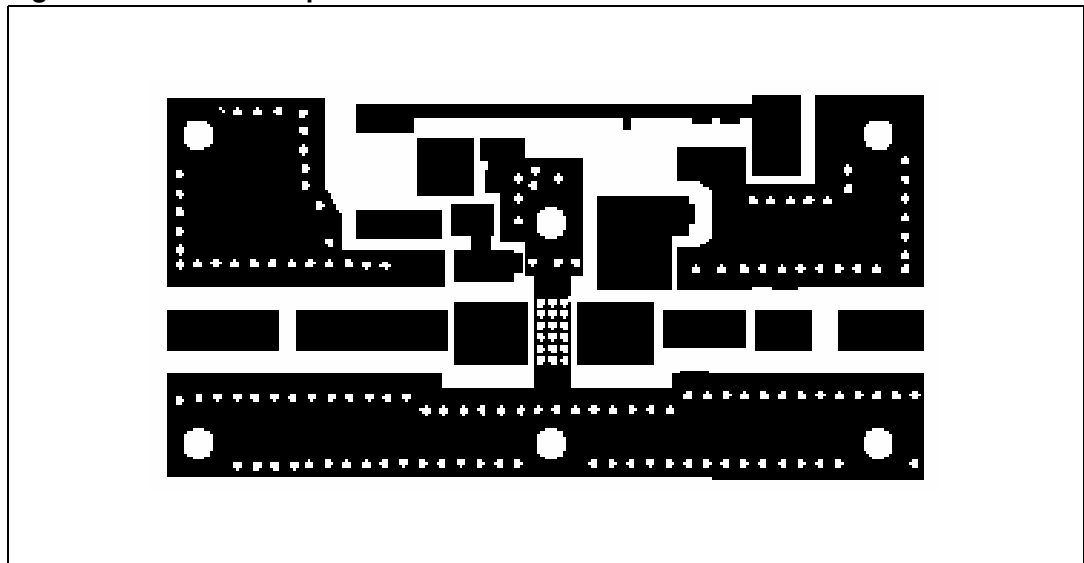


Figure 13. Test circuit photomaster



6 Revision history

Table 5. Document revision history

Date	Revision	Changes
14-Oct-2010	1	Initial release

Please Read Carefully:

Information in this document is provided solely in connection with ST products. STMicroelectronics NV and its subsidiaries ("ST") reserve the right to make changes, corrections, modifications or improvements, to this document, and the products and services described herein at any time, without notice.

All ST products are sold pursuant to ST's terms and conditions of sale.

Purchasers are solely responsible for the choice, selection and use of the ST products and services described herein, and ST assumes no liability whatsoever relating to the choice, selection or use of the ST products and services described herein.

No license, express or implied, by estoppel or otherwise, to any intellectual property rights is granted under this document. If any part of this document refers to any third party products or services it shall not be deemed a license grant by ST for the use of such third party products or services, or any intellectual property contained therein or considered as a warranty covering the use in any manner whatsoever of such third party products or services or any intellectual property contained therein.

UNLESS OTHERWISE SET FORTH IN ST'S TERMS AND CONDITIONS OF SALE ST DISCLAIMS ANY EXPRESS OR IMPLIED WARRANTY WITH RESPECT TO THE USE AND/OR SALE OF ST PRODUCTS INCLUDING WITHOUT LIMITATION IMPLIED WARRANTIES OF MERCHANTABILITY, FITNESS FOR A PARTICULAR PURPOSE (AND THEIR EQUIVALENTS UNDER THE LAWS OF ANY JURISDICTION), OR INFRINGEMENT OF ANY PATENT, COPYRIGHT OR OTHER INTELLECTUAL PROPERTY RIGHT.

UNLESS EXPRESSLY APPROVED IN WRITING BY AN AUTHORIZED ST REPRESENTATIVE, ST PRODUCTS ARE NOT RECOMMENDED, AUTHORIZED OR WARRANTED FOR USE IN MILITARY, AIR CRAFT, SPACE, LIFE SAVING, OR LIFE SUSTAINING APPLICATIONS, NOR IN PRODUCTS OR SYSTEMS WHERE FAILURE OR MALFUNCTION MAY RESULT IN PERSONAL INJURY, DEATH, OR SEVERE PROPERTY OR ENVIRONMENTAL DAMAGE. ST PRODUCTS WHICH ARE NOT SPECIFIED AS "AUTOMOTIVE GRADE" MAY ONLY BE USED IN AUTOMOTIVE APPLICATIONS AT USER'S OWN RISK.

Resale of ST products with provisions different from the statements and/or technical features set forth in this document shall immediately void any warranty granted by ST for the ST product or service described herein and shall not create or extend in any manner whatsoever, any liability of ST.

ST and the ST logo are trademarks or registered trademarks of ST in various countries.

Information in this document supersedes and replaces all information previously supplied.

The ST logo is a registered trademark of STMicroelectronics. All other names are the property of their respective owners.

© 2010 STMicroelectronics - All rights reserved

STMicroelectronics group of companies

Australia - Belgium - Brazil - Canada - China - Czech Republic - Finland - France - Germany - Hong Kong - India - Israel - Italy - Japan - Malaysia - Malta - Morocco - Philippines - Singapore - Spain - Sweden - Switzerland - United Kingdom - United States of America

www.st.com

Компания «Океан Электроники» предлагает заключение долгосрочных отношений при поставках импортных электронных компонентов на взаимовыгодных условиях!

Наши преимущества:

- Поставка оригинальных импортных электронных компонентов напрямую с производств Америки, Европы и Азии, а так же с крупнейших складов мира;
- Широкая линейка поставок активных и пассивных импортных электронных компонентов (более 30 млн. наименований);
- Поставка сложных, дефицитных, либо снятых с производства позиций;
- Оперативные сроки поставки под заказ (от 5 рабочих дней);
- Экспресс доставка в любую точку России;
- Помощь Конструкторского Отдела и консультации квалифицированных инженеров;
- Техническая поддержка проекта, помощь в подборе аналогов, поставка прототипов;
- Поставка электронных компонентов под контролем ВП;
- Система менеджмента качества сертифицирована по Международному стандарту ISO 9001;
- При необходимости вся продукция военного и аэрокосмического назначения проходит испытания и сертификацию в лаборатории (по согласованию с заказчиком);
- Поставка специализированных компонентов военного и аэрокосмического уровня качества (Xilinx, Altera, Analog Devices, Intersil, Interpoint, Microsemi, Actel, Aeroflex, Peregrine, VPT, Syfer, Eurofarad, Texas Instruments, MS Kennedy, Miteq, Cobham, E2V, MA-COM, Hittite, Mini-Circuits, General Dynamics и др.);

Компания «Океан Электроники» является официальным дистрибьютором и эксклюзивным представителем в России одного из крупнейших производителей разъемов военного и аэрокосмического назначения «JONHON», а так же официальным дистрибьютором и эксклюзивным представителем в России производителя высокотехнологичных и надежных решений для передачи СВЧ сигналов «FORSTAR».



JONHON

«JONHON» (основан в 1970 г.)

Разъемы специального, военного и аэрокосмического назначения:

(Применяются в военной, авиационной, аэрокосмической, морской, железнодорожной, горно- и нефтедобывающей отраслях промышленности)

«FORSTAR» (основан в 1998 г.)

ВЧ соединители, коаксиальные кабели, кабельные сборки и микроволновые компоненты:

(Применяются в телекоммуникациях гражданского и специального назначения, в средствах связи, РЛС, а так же военной, авиационной и аэрокосмической отраслях промышленности).



Телефон: 8 (812) 309-75-97 (многоканальный)

Факс: 8 (812) 320-03-32

Электронная почта: ocean@oceanchips.ru

Web: <http://oceanchips.ru/>

Адрес: 198099, г. Санкт-Петербург, ул. Калинина, д. 2, корп. 4, лит. А