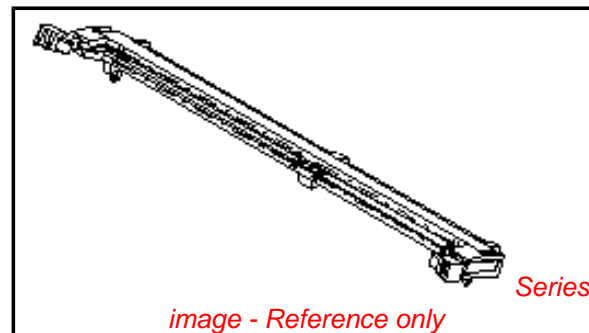


**PLEASE CHECK WWW.MOLEX.COM FOR LATEST PART INFORMATION**

**Part Number:** [0876391100](#)  
**Status:** **Active**  
**Description:** 1.27mm (.050") Pitch DDR DIMM Socket, Reverse Footprint, 25° Angle, Low Profile, Single Key, with Beveled Metal Pins and Plastic Pegs, 2.79mm (.110") Tail Length, 0.76µm (30µ") Gold (Au) Plating, 184 Circuits, Leadfree

**Documents:**

[3D Model](#) [Product Specification PS-87639-002 \(PDF\)](#)  
[Drawing \(PDF\)](#) [RoHS Certificate of Compliance \(PDF\)](#)



**General**

Product Family	Memory Module Sockets
Series	<a href="#">87639</a>
Component Type	Memory Module
JEDEC Outline	MO-206
Product Name	DDR DIMM

**Physical**

Circuits (Loaded)	184
Color - Resin	Black, Natural
Durability (mating cycles max)	25
Entry Angle	25° Angle
Keying to Mating Part	Yes
Material - Metal	Brass, Phosphor Bronze
Material - Plating Mating	Gold
Material - Plating Termination	Tin
Material - Resin	High Temperature Thermoplastic
PC Tail Length (in)	0.110 In
PC Tail Length (mm)	2.79 mm
PCB Locator	Yes
PCB Retention	Yes
PCB Thickness Recommended (in)	0.062 In
PCB Thickness Recommended (mm)	1.60 mm
Packaging Type	Tray
Pitch - Mating Interface (in)	0.050 In
Pitch - Mating Interface (mm)	1.27 mm
Plating min: Mating (µin)	30.4
Plating min: Mating (µm)	0.76
Plating min: Termination (µin)	101.6
Plating min: Termination (µm)	2.54
Temperature Range - Operating	-40°C to +85°C
Termination Interface: Style	Through Hole

**Electrical**

Current - Maximum per Contact	1A
Voltage - Maximum	50V
Voltage Key	2.5V, Right

**Solder Process Data**

Duration at Max. Process Temperature (seconds)	10
Lead-free Process Capability	Wave Capable (TH only)
Max. Cycles at Max. Process Temperature	2
Process Temperature max. C	240

**Material Info**

**Reference - Drawing Numbers**

**EU RoHS**

**ELV and RoHS  
Compliant**  
**REACH SVHC**  
 Not Reviewed  
**Halogen-Free  
Status**  
 Not Reviewed

**China RoHS**



**Need more information on product  
environmental compliance?**

Email [productcompliance@molex.com](mailto:productcompliance@molex.com)  
 For a multiple part number RoHS Certificate of Compliance, [click here](#)

Please visit the [Contact Us](#) section for any non-product compliance questions.

**Search Parts in this Series**

[87639Series](#)

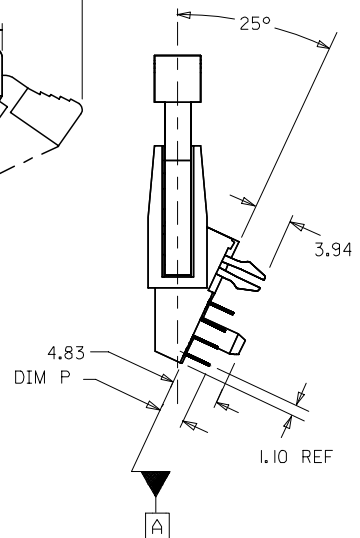
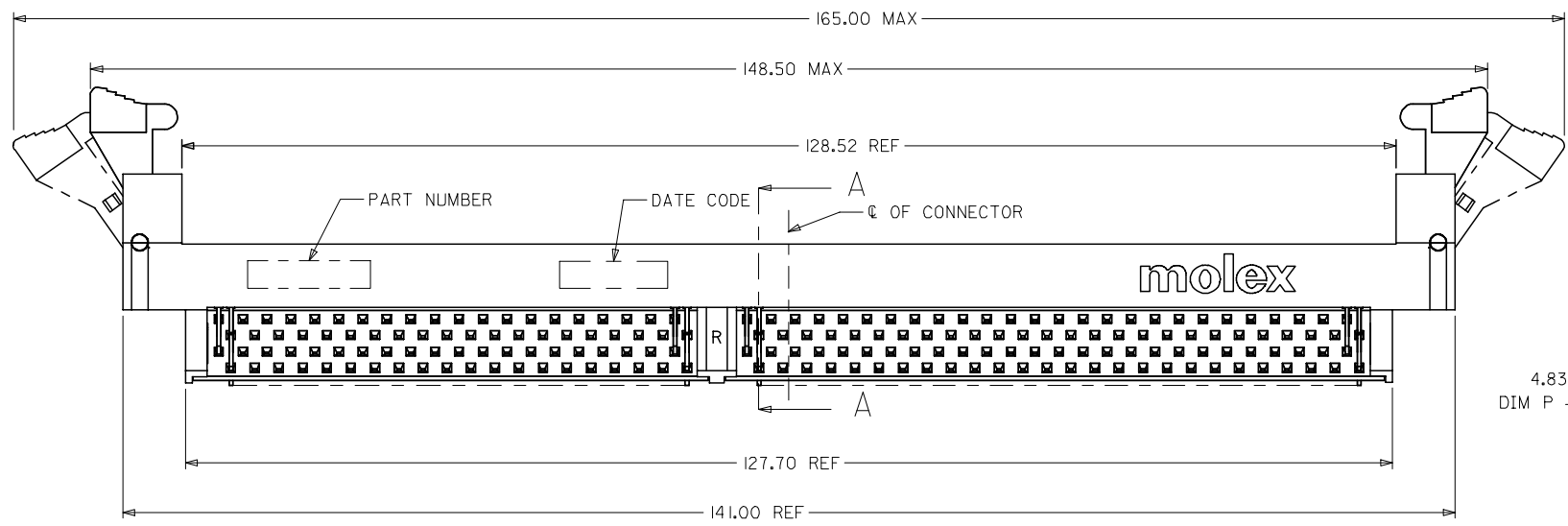
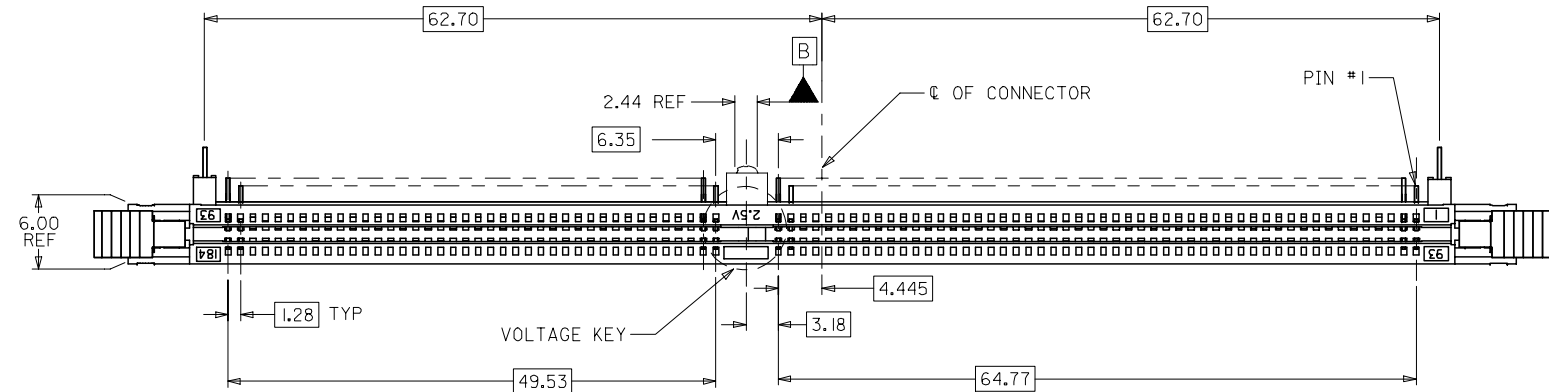
**Mates With**

[JEDEC MO-206 modules](#)

This document was generated on 04/09/2010

**PLEASE CHECK [WWW.MOLEX.COM](http://WWW.MOLEX.COM) FOR LATEST PART INFORMATION**

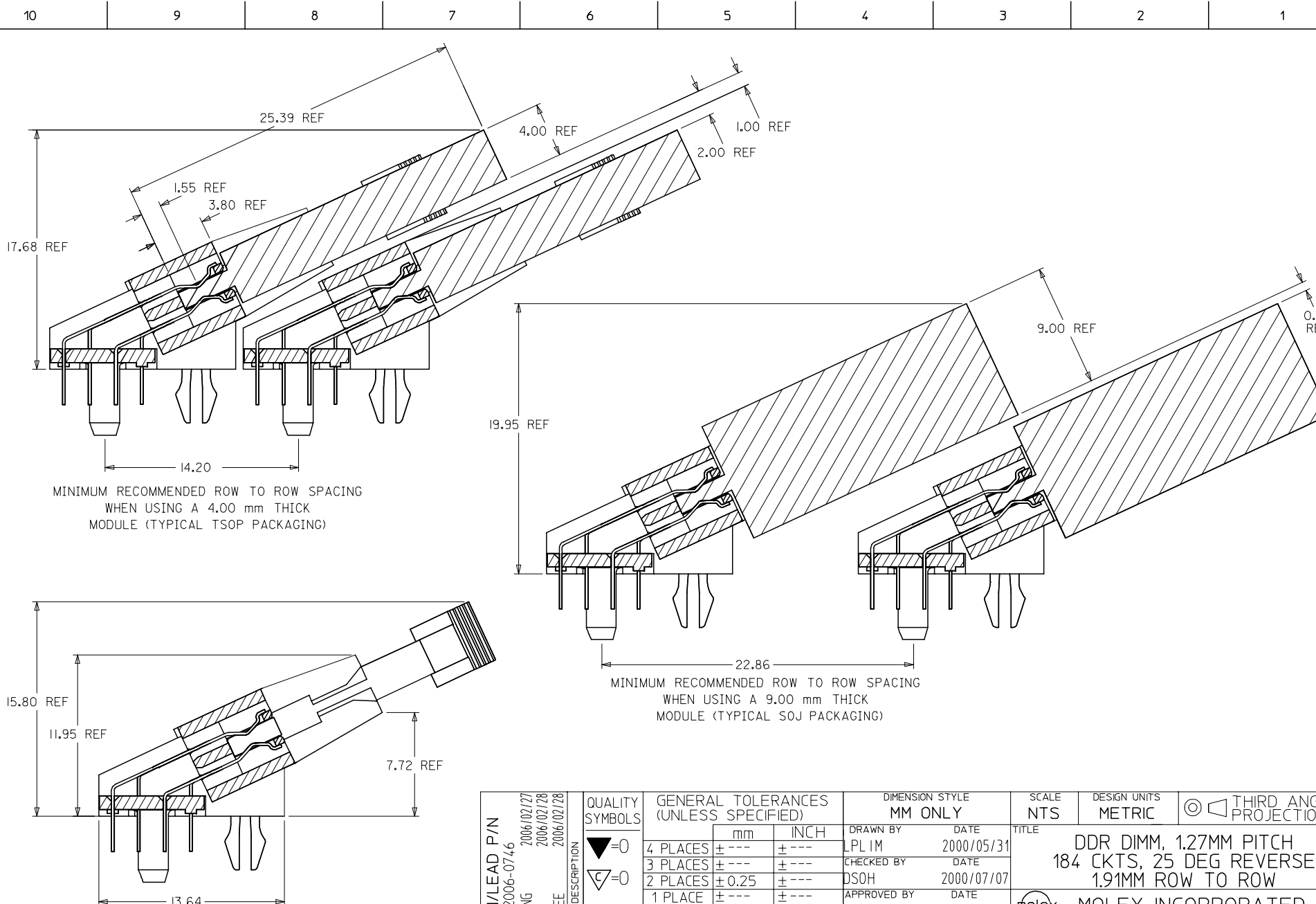
10 9 8 7 6 5 4 3 2 1



- NOTES:
- MATERIALS: HOUSING - LCP, GLASS FILLED, UL 94V-0, COLOR: BLACK  
LATCHES - HIGH TEMP NYLON, GLASS FILLED, UL 94V-0  
TERMINAL AND FORKLOCK - COPPER ALLOY
  - FINISHES: CONTACT AREA: SEE TABLE ON SHEET 5  
SOLDDERTAILS: 2.54um/100u" MIN. TIN  
OVER 1.27um/50u" MIN NICKEL
  - PRODUCT SPECIFICATIONS: PS-87639-002 FOR PERFORMANCE SPECIFICATIONS.
  - DATE CODE SHALL BE MARKED LEGIBLY AS SHOWN: XX XX  
YEAR WEEK
  - PART NUMBER SHALL BE MARKED LEGIBLY AS SHOWN: 87639-0XXX  
REFER TO TABLE

OBS TIN/LEAD P/N	2006/02/27	QUALITY SYMBOLS	GENERAL TOLERANCES (UNLESS SPECIFIED)	DIMENSION STYLE		SCALE	DESIGN UNITS	THIRD ANGLE PROJECTION
	2006/02/28			MM ONLY	NTS			
EC NO: S2006-0746	2006/02/27	▽=0	4 PLACES ± --- ± ---	DRAWN BY	DATE	TITLE	DDR DIMM, 1.27MM PITCH	
DRWN:HLONG	2006/02/28	▽=0	3 PLACES ± --- ± ---	CHKD:HO	DATE	184 CKTS, 25 DEG REVERSE	MOLEX INCORPORATED	
APPR:GJLEE	2006/02/28		2 PLACES ± 0.25 ± ---	DSOH	DATE	1.91MM ROW TO ROW	MATERIAL NO.	
REV			1 PLACE ± --- ± ---	APPROVED BY	DATE	SEE TABLE	SD-87639-001	SHEET NO.
			ANGULAR ± 5 °	SKTOH	2000/07/07			1 OF 5
				DRAFT WHERE APPLICABLE MUST REMAIN WITHIN DIMENSIONS		THIS DRAWING CONTAINS INFORMATION THAT IS PROPRIETARY TO MOLEX INCORPORATED AND SHOULD NOT BE USED WITHOUT WRITTEN PERMISSION		

9 8 7 6 5 4 3 2 1



MINIMUM RECOMMENDED ROW TO ROW SPACING  
WHEN USING A 4.00 mm THICK  
MODULE (TYPICAL TSOP PACKAGING)

MINIMUM RECOMMENDED ROW TO ROW SPACING  
WHEN USING A 9.00 mm THICK  
MODULE (TYPICAL SOJ PACKAGING)

SECTION A-A

OBS TIN/LEAD P/N  
EC NO: S2006-0746  
DRWN:MLONG  
CHKD:HO  
APPR:GJLEE  
REV C

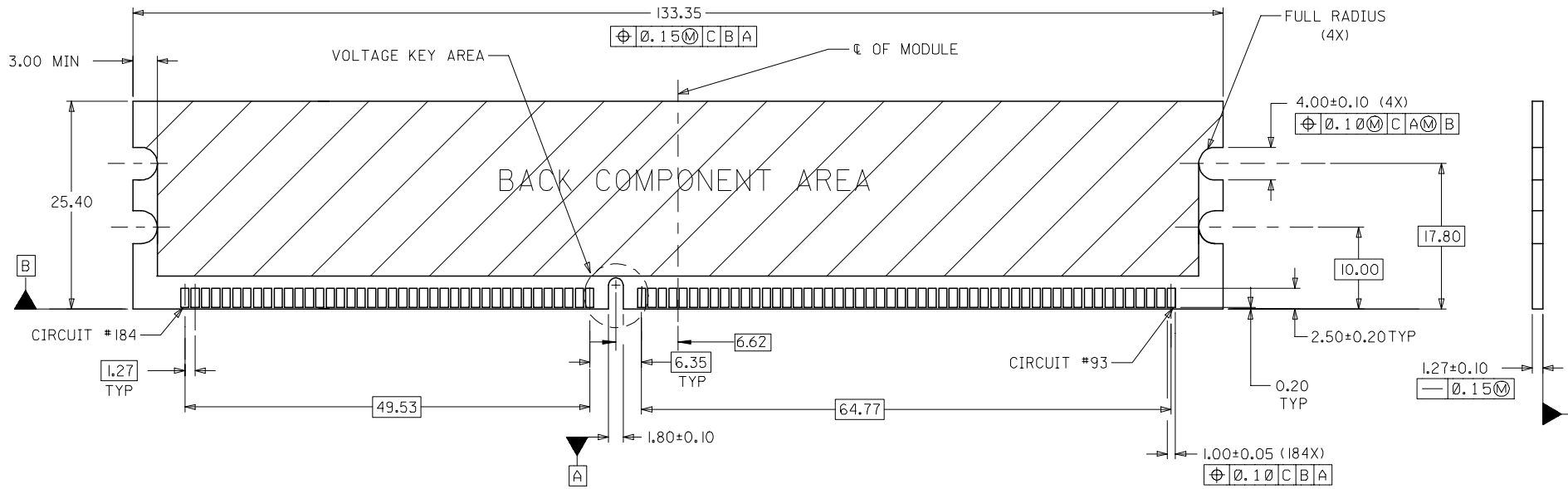
QUALITY SYMBOLS  
▽=0  
▽C=0  
DESCRIPTION

GENERAL TOLERANCES (UNLESS SPECIFIED)		
	mm	INCH
4 PLACES	± ---	± ---
3 PLACES	± ---	± ---
2 PLACES	± 0.25	± ---
1 PLACE	± ---	± ---
ANGULAR ± 5 °		
DRAFT WHERE APPLICABLE MUST REMAIN WITHIN DIMENSIONS		

DIMENSION STYLE		SCALE	DESIGN UNITS	THIRD ANGLE PROJECTION
MM ONLY		NTS	METRIC	
DRAWN BY	DATE	TITLE		
LPL IM	2000/05/31	DDR DIMM, 1.27MM PITCH		
CHECKED BY	DATE	184 CKTS, 25 DEG REVERSE		
DSOH	2000/07/07	1.91MM ROW TO ROW		
APPROVED BY	DATE	MOLEX INCORPORATED		
SKTOH	2000/07/07	MOLEX INCORPORATED		
MATERIAL NO.	DOCUMENT NO.	SHEET NO.		
SEE TABLE	SD-87639-001	2 OF 5		
SIZE	THIS DRAWING CONTAINS INFORMATION THAT IS PROPRIETARY TO MOLEX INCORPORATED AND SHOULD NOT BE USED WITHOUT WRITTEN PERMISSION			
A3				

10 9 8 7 6 5 4 3 2 1

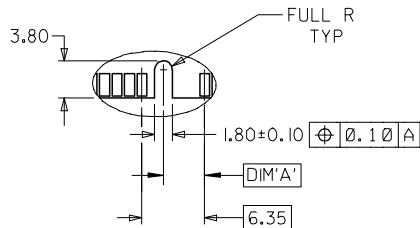
F  
E  
D  
C  
B  
A



RECOMMENDED MODULE LAYOUT  
(PER JEDEC STANDARD MO-206, 184 CKT.)  
UNLESS OTHERWISE SPECIFIED, GENERAL TOLERANCE FOR MODULE = ±0.13

VOLTAGE KEY AREA

VOLTAGE KEY	DIM 'A'
2.5V	4.175



OBS TIN/LEAD P/N	2006/02/27
EC NO: S2006-0746	2006/02/28
DRWN:MLONG	2006/02/28
CHKD:IHO	2006/02/28
APPR:GJLEE	2006/02/28

QUALITY SYMBOLS	▽=0
	∇=0
DESCRIPTION	
REV	

GENERAL TOLERANCES (UNLESS SPECIFIED)	mm	INCH
4 PLACES	± ---	± ---
3 PLACES	± ---	± ---
2 PLACES	± 0.25	± ---
1 PLACE	± ---	± ---
ANGULAR ± 5 °		
DRAFT WHERE APPLICABLE MUST REMAIN WITHIN DIMENSIONS		

DIMENSION STYLE		SCALE		DESIGN UNITS		THIRD ANGLE PROJECTION	
MM ONLY		NTS		METRIC			
DRAWN BY	DATE	TITLE					
LPL IM	2000/05/31	DDR DIMM, 1.27MM PITCH					
CHECKED BY	DATE	184 CKTS, 25 DEG REVERSE					
DSOH	2000/07/07	1.91MM ROW TO ROW					
APPROVED BY	DATE	MOLEX INCORPORATED					
SKTOH	2000/07/07						
MATERIAL NO.	DOCUMENT NO.					SHEET NO.	
	SD-87639-001					3 OF 5	
SIZE	SEE TABLE						
A3	THIS DRAWING CONTAINS INFORMATION THAT IS PROPRIETARY TO MOLEX INCORPORATED AND SHOULD NOT BE USED WITHOUT WRITTEN PERMISSION						

9 8 7 6 5 4 3 2 1

10 9 8 7 6 5 4 3 2 1

F

F

E

E

D

D

C

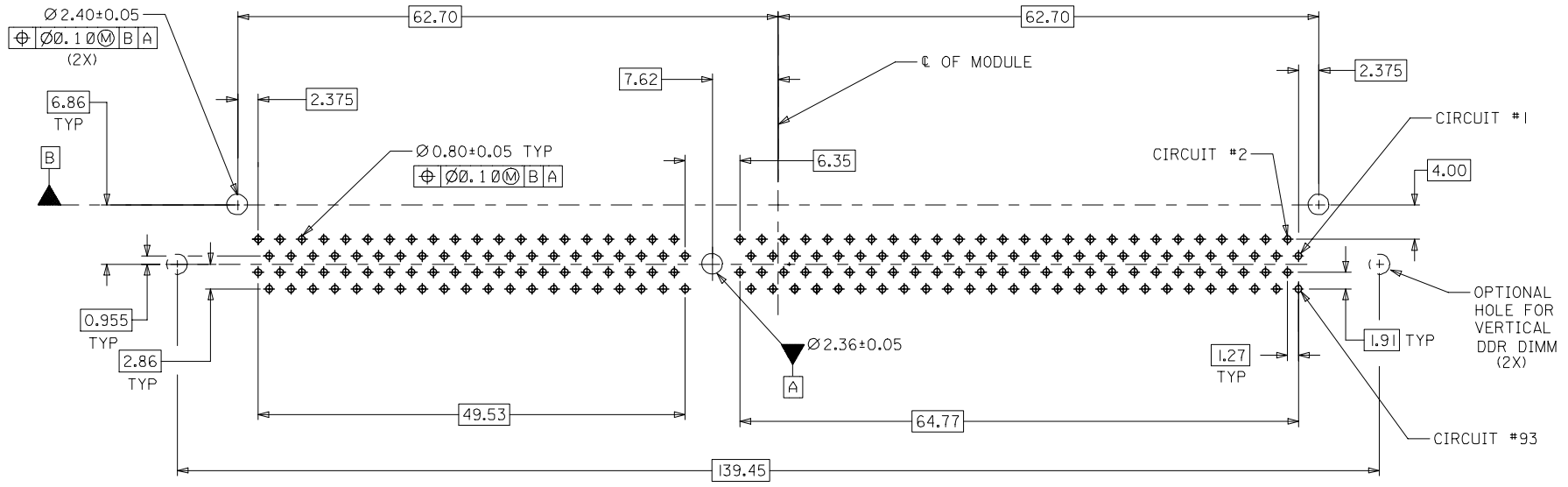
C

B

B

A

A



RECOMMENDED P.C. BOARD  
HOLE PATTERN ( CONNECTOR SIDE )

OBS TIN/LEAD P/N EC NO: S2006-0746 DRWN:MLONG CHKD:HO APPR:GJLEE	2006/02/27 2006/02/28 2006/02/28	QUALITY SYMBOLS ▽=0 ◻=0	GENERAL TOLERANCES (UNLESS SPECIFIED)		DIMENSION STYLE MM ONLY		SCALE NTS	DESIGN UNITS METRIC	THIRD ANGLE PROJECTION			
					mm	INCH	DRAWN BY LPL IM		TITLE DDR DIMM, 1.27MM PITCH 184 CKTS, 25 DEG REVERSE 1.91MM ROW TO ROW			
			4 PLACES	± ---	± ---		DATE 2000/05/31					
			3 PLACES	± ---	± ---		CHECKED BY DSOH		DATE 2000/07/07			
			2 PLACES	± 0.25	± ---		APPROVED BY SKTOH		DATE 2000/07/07			
			1 PLACE	± ---	± ---		MATERIAL NO.		DOCUMENT NO.			
			ANGULAR ± 5 °			SEE TABLE		SD-87639-001		SHEET NO. 4 OF 5		
DRAFT WHERE APPLICABLE MUST REMAIN WITHIN DIMENSIONS					SIZE A3		THIS DRAWING CONTAINS INFORMATION THAT IS PROPRIETARY TO MOLEX INCORPORATED AND SHOULD NOT BE USED WITHOUT WRITTEN PERMISSION					

9 8 7 6 5 4 3 2 1

10 9 8 7 6 5 4 3 2 1

MATERIAL NO.	VOLTAGE KEY	TAIL LENGTH P±0.25	RECOMMENDED PCB THICKNESS	FINISHES: CONTACT AREA
87639-1001	RIGHT (2.5V)	2.79	1.57	SELECTIVE GOLD 0.38µM/15µ" MIN. GOLD OVER 1.27µM/50µ" MIN. NICKEL
87639-1010		3.18		
87639-1011		3.56		
87639-1100		2.79		SELECTIVE GOLD 0.76µM/30µ" MIN. GOLD OVER 1.27µM/50µ" MIN. NICKEL
87639-1110		3.18		

F

F

E

E

D

D

C

C

B

B

A

A

OBS TIN/LEAD P/N EC NO: S2006-0746 DRWN:MLONG CHKD:HO APPR:GJLEE	2006/02/27 2006/02/28 2006/02/28	DESCRIPTION REV	QUALITY SYMBOLS	GENERAL TOLERANCES (UNLESS SPECIFIED)		DIMENSION STYLE MM ONLY		SCALE NTS	DESIGN UNITS METRIC	THIRD ANGLE PROJECTION																				
			=0 =0	<table border="1"> <thead> <tr> <th></th> <th>mm</th> <th>INCH</th> </tr> </thead> <tbody> <tr> <td>4 PLACES</td> <td>± ---</td> <td>± ---</td> </tr> <tr> <td>3 PLACES</td> <td>± ---</td> <td>± ---</td> </tr> <tr> <td>2 PLACES</td> <td>± 0.25</td> <td>± ---</td> </tr> <tr> <td>1 PLACE</td> <td>± ---</td> <td>± ---</td> </tr> </tbody> </table>		mm	INCH	4 PLACES	± ---	± ---	3 PLACES	± ---	± ---	2 PLACES	± 0.25	± ---	1 PLACE	± ---	± ---	<table border="1"> <thead> <tr> <th></th> <th>mm</th> <th>INCH</th> </tr> </thead> <tbody> <tr> <td>ANGULAR</td> <td>± 5 °</td> <td></td> </tr> </tbody> </table>		mm	INCH	ANGULAR	± 5 °		DRAWN BY LPL IM DATE 2000/05/31	CHECKED BY DSOH DATE 2000/07/07	TITLE DDR DIMM, 1.27MM PITCH 184 CKTS, 25 DEG REVERSE 1.91MM ROW TO ROW	
				mm	INCH																									
			4 PLACES	± ---	± ---																									
			3 PLACES	± ---	± ---																									
2 PLACES	± 0.25	± ---																												
1 PLACE	± ---	± ---																												
	mm	INCH																												
ANGULAR	± 5 °																													
			APPROVED BY SKTOH DATE 2000/07/07	MOLEX INCORPORATED																										
			MATERIAL NO. SEE TABLE	DOCUMENT NO. SD-87639-001	SHEET NO. 5 OF 5																									
			DRAFT WHERE APPLICABLE MUST REMAIN WITHIN DIMENSIONS		THIS DRAWING CONTAINS INFORMATION THAT IS PROPRIETARY TO MOLEX INCORPORATED AND SHOULD NOT BE USED WITHOUT WRITTEN PERMISSION																									

9 8 7 6 5 4 3 2 1

Компания «Океан Электроники» предлагает заключение долгосрочных отношений при поставках импортных электронных компонентов на взаимовыгодных условиях!

Наши преимущества:

- Поставка оригинальных импортных электронных компонентов напрямую с производств Америки, Европы и Азии, а так же с крупнейших складов мира;
- Широкая линейка поставок активных и пассивных импортных электронных компонентов (более 30 млн. наименований);
- Поставка сложных, дефицитных, либо снятых с производства позиций;
- Оперативные сроки поставки под заказ (от 5 рабочих дней);
- Экспресс доставка в любую точку России;
- Помощь Конструкторского Отдела и консультации квалифицированных инженеров;
- Техническая поддержка проекта, помощь в подборе аналогов, поставка прототипов;
- Поставка электронных компонентов под контролем ВП;
- Система менеджмента качества сертифицирована по Международному стандарту ISO 9001;
- При необходимости вся продукция военного и аэрокосмического назначения проходит испытания и сертификацию в лаборатории (по согласованию с заказчиком);
- Поставка специализированных компонентов военного и аэрокосмического уровня качества (Xilinx, Altera, Analog Devices, Intersil, Interpoint, Microsemi, Actel, Aeroflex, Peregrine, VPT, Syfer, Eurofarad, Texas Instruments, MS Kennedy, Miteq, Cobham, E2V, MA-COM, Hittite, Mini-Circuits, General Dynamics и др.);

Компания «Океан Электроники» является официальным дистрибьютором и эксклюзивным представителем в России одного из крупнейших производителей разъемов военного и аэрокосмического назначения «JONHON», а так же официальным дистрибьютором и эксклюзивным представителем в России производителя высокотехнологичных и надежных решений для передачи СВЧ сигналов «FORSTAR».



## JONHON

«JONHON» (основан в 1970 г.)

Разъемы специального, военного и аэрокосмического назначения:

(Применяются в военной, авиационной, аэрокосмической, морской, железнодорожной, горно- и нефтедобывающей отраслях промышленности)

«FORSTAR» (основан в 1998 г.)

ВЧ соединители, коаксиальные кабели, кабельные сборки и микроволновые компоненты:

(Применяются в телекоммуникациях гражданского и специального назначения, в средствах связи, РЛС, а так же военной, авиационной и аэрокосмической отраслях промышленности).



Телефон: 8 (812) 309-75-97 (многоканальный)

Факс: 8 (812) 320-03-32

Электронная почта: [ocean@oceanchips.ru](mailto:ocean@oceanchips.ru)

Web: <http://oceanchips.ru/>

Адрес: 198099, г. Санкт-Петербург, ул. Калинина, д. 2, корп. 4, лит. А