

Multi-Channel Fiber Optic Circular (CF38999 Connector) How to Order

Easy Steps to build a part number... Tri-Start Series III

| 1. | 2. | 3. | 4. | 5. | 6. |
|----------------|----------|--------|-------------|--------------------------------|-------------------------------------|
| Connector Type | Material | Finish | Shell Style | Shell Size- Insert Arrangement | Contact Type & Key/ Keyway Position |
| CF- | 50 | 9 | 0 | 17-08 | P |

Amphenol® Multi-Channel fiber optic connectors for use with multi-mode and single mode termini can be ordered by coded part number. Ordering procedure is illustrated by part number CF-509017-08P as shown above:

Step 1. Connector Type

| | Designates |
|-----|-------------------------------------|
| CF- | Multi-Channel Fiber Optic Connector |

Step 2. Select a Material

| | Designates |
|----|-----------------------|
| 50 | Aluminum shell |
| 60 | Composite shell |
| 80 | Stainless steel shell |

Step 3. Select a Finish

| | Designates |
|---|--|
| 4 | Electroless nickel plated aluminum, 48 hour salt spray resistance, 200°C |
| 5 | Unplated composite |
| 6 | Corrosion resistant stainless steel, 500 hour salt spray resistance, 200°C |
| 9 | Corrosion resistant olive drab cadmium plate aluminum, 500 hour salt spray resistance, 175°C |
| D | Designates Durmalon™ (Nickel-PTFE)* |
| S | Nickel plated stainless steel |

Step 4. Select a Shell Style

| | Designates |
|---|---------------------------------|
| 0 | Wall mount receptacle |
| 1 | Line receptacle |
| 2 | Box mount receptacle |
| 5 | Straight plug less ground strap |
| 6 | Straight plug |
| 7 | Jam nut receptacle |

Step 5. Select a Shell Size – Insert Arrangement from proceeding pages.

Shell Size & Insert Arrangement are on page 194. First number represents Shell Size, second number is the Insert Arrangement.

Step 6. Select a Contact Type & Key/Keyway Position

Contact Type and Key/Keyway Position

P designates pin contacts
S designates socket contacts
For key/keyway positioning, choose the alternate rotation suffix letter from the chart below.

ALTERNATE POSITION SUFFIX

| Alternate Position | Suffix Letter | |
|--------------------|---------------|---------|
| | Pins | Sockets |
| Normal | P | S |
| A | G | H |
| B | I | J |
| C | K | L |
| D | M | N |
| E | R | T |

For more information on key/keyway rotation, see the Series III MIL-DTL-38999 Section.

38999

| |
|-------------|
| III |
| HD |
| Dualok |
| II |
| I |
| SJT |
| Accessories |
| Aquacon |
| Herm/Seal |
| PCB |

| |
|--------------|
| HIGH SPEED |
| Fiber Optics |
| Contacts |
| Connectors |
| Cables |

EMI Filter
Transient

26482
Matrix 2

83723 III
Matrix | Pyle

26500
Pyle

5015
Crimp Rear Release Matrix

22992
Class 1

Back-Shell's

Options
Others

*Durmalon is a trademark of Amphenol. For more information on Durmalon see page 5.

Fiber optic termini can be accommodated in any size 16 or size 20 contact cavity of MIL-DTL-38999 Series III type connector insert patterns, as listed in the following chart. For availability of fiber type, either multi-mode or single mode, see note at bottom of chart.

| Shell Size/ Arrangement | Total Contacts | Contact Size | | | | | | | |
|----------------------------|-------------------|--------------|--------------------------------|-----|----|--------------|---------------|-------------|--------------------|
| | | 22D | Optic Termini Availability* | | 12 | 12 (Coax) | 10 (Power) | 8 (Coax) | 8 (Twinax) ◆ |
| | | | 20 | 16 | | | | | |
| 09-94 | 2 | | 2 | | | | | | |
| 09-98 | 3 | | 3 | | | | | | |
| 11-02 | 2 | | | 2 | | | | | |
| 11-05 | 5 | | 5 | | | | | | |
| 11-98 | 6 | | 6 | | | | | | |
| 11-99 | 7 | | 7 | | | | | | |
| 13-04 | 4 | | | 4 | | | | | |
| 13-08 | 8 | | 8 | | | | | | |
| 13-13 | 4 | | | 2** | 2 | | | | |
| 13-98 | 10 | | 10 | | | | | | |
| 15-05 | 5 | | | 5 | | | | | |
| 15-15 | 15 | | 14 | 1 | | | | | |
| 15-18 | 18 | | 18 | | | | | | |
| 15-19 | 19 | | 19 | | | | | | |
| 15-97 | 12 | | 8 | 4 | | | | | |
| 17-08 | 8 | | | 8 | | | | | |
| 17-26 | 26 | | 26 | | | | | | |
| 17-99 | 23 | | 21 | 2 | | | | | |
| 19-11 | 11 | | | 11 | | | | | |
| 19-28 | 28 | | 26 | 2 | | | | | |
| 19-32 | 32 | | 32 | | | | | | |
| 21-16 | 16 | | | 16 | | | | | |
| 21-29 | 27 | | 19 | 4 | 4 | | | | |
| 21-39 | 39 | | 37 | 2 | | | | | |
| 21-41 | 41 | | 41 | | | | | | |
| 23-21 | 21 | | | 21 | | | | | |
| 23-53 | 53 | | 53 | | | | | | |
| 23-54 | 53 | 40 | | 9 | 4 | | | | |
| 23-55 | 55 | | 55 | | | | | | |
| 25-04 | 56 | | 48 | 8 | | | | | |
| 25-11*** | 11 | | 2 | | | 9 | | | |
| 25-20*** | 30 | | 10 | 13 | | 4 | | 3 | |
| 25-24 | 24 | | | 12 | 12 | | | | |
| 25-26 | 25 | | 16 | | 5 | | 4 | | |
| 25-29 | 29 | | | 29 | | | | | |
| 25-37 | 37 | | | 37 | | | | | |
| 25-41 | 41 | 22 | 3 | 11 | | 2 | | 3 | |
| 25-43 | 43 | | 23 | 20 | | | | | |
| 25-46 | 46 | | 40 | 4 | | | 2† | | |
| 25-61 | 61 | | 61 | | | | | | |
| 25-90 | 46 | | 40 | 4 | | | | 2 | |
| 25-F4 | 66 | 49 | | 13 | 4 | | | | |

* Size 16 multi-mode and single mode fiber optic termini are readily available. For size 20 multi-mode termini consult Amphenol Aerospace for availability.
 ** Two size 16 contacts dedicated to fiber optics.
 *** For use in MIL-STD-1760 applications. See 38999 Series III section in this catalog.
 † For RG180/U and RG195/U cables only. Contact Amphenol for other cable applications.
 ◆ Size 8 coax and Twinax are interchangeable.
 For service ratings and performance of electrical contacts see 38999 Series III section in this catalog.

38999

III

HD

Dualok

II

I

SJT

Accessories

Aquacon

Herm/Seal

PCB

HIGH SPEED

Fiber Optics

Contacts
Connectors
Cables

EMI Filter
Transient

26482
Matrix 2

83723 III
Matrix | Pyle

26500
Pyle

5015
Crimp Rear
Release
Matrix

22992
Class I

Back-
Shells

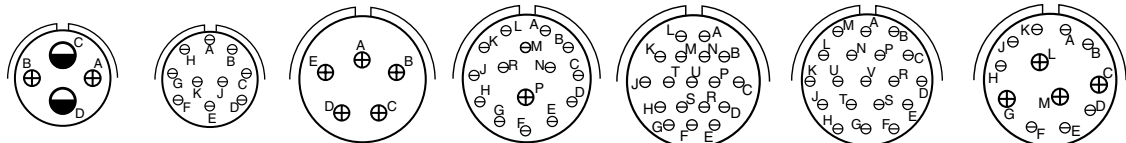
Options
Others

Multi-Channel Fiber Optic Circular (CF38999 Connector) Insert Arrangements

Front face of pin inserts illustrated

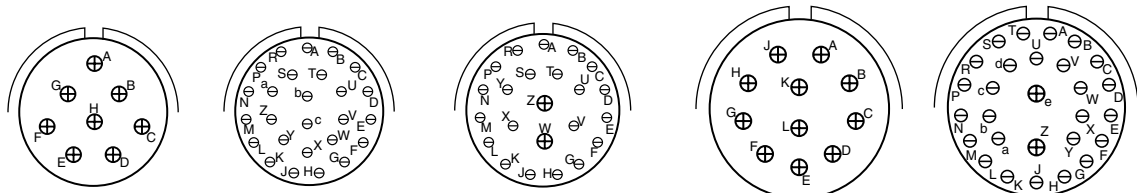


| Insert Arrangement | 09-94 | 09-98 | 11-02 | 11-05 | 11-98 | 11-99 | 13-04 | 13-08 |
|--------------------|-------|-------|-------|-------|-------|-------|-------|-------|
| Number of Contacts | 2 | 3 | 2 | 5 | 6 | 7 | 4 | 8 |
| Contact Size | 20 | 20 | 16 | 20 | 20 | 20 | 16 | 20 |

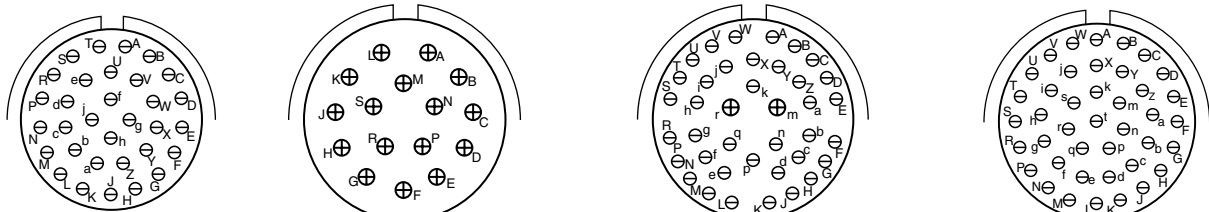


| Insert Arrangement | 13-13 | 13-98 | 15-05 | 15-15 | 15-18 | 15-19 | 15-97 | | | |
|--------------------|-------|-------|-------|-------|-------|-------|-------|----|----|----|
| Number of Contacts | 2 | 2 | 10 | 5 | 14 | 1 | 18 | 19 | 8 | 4 |
| Contact Size | 16 | 12 | 20 | 16 | 20 | 20 | 20 | 20 | 20 | 16 |

Dedicated to
Fiber Optics



| Insert Arrangement | 17-08 | 17-26 | 17-99 | 19-11 | 19-28 | | |
|--------------------|-------|-------|-------|-------|-------|----|----|
| Number of Contacts | 2 | 26 | 21 | 2 | 11 | 26 | 2 |
| Contact Size | 16 | 20 | 20 | 16 | 16 | 20 | 16 |



| Insert Arrangement | 19-32 | 21-16 | 21-39 | 21-41 | |
|--------------------|-------|-------|-------|-------|----|
| Number of Contacts | 32 | 16 | 37 | 2 | 41 |
| Contact Size | 20 | 16 | 20 | 16 | 20 |



38999

- III
- HD
- Dualok
- II
- I
- SJT
- Accessories
- Aquacon
- Herm/Seal
- PCB

- HIGH SPEED**
- Fiber Optics
- Contacts
- Connectors
- Cables

EMI Filter
Transient

26482
Matrix 2

83723 III
Matrix | Pyle

26500
Pyle

5015
Crimp Rear
Release
Matrix

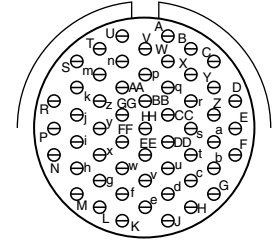
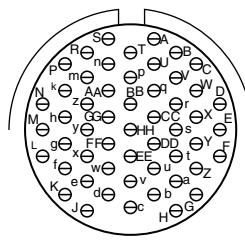
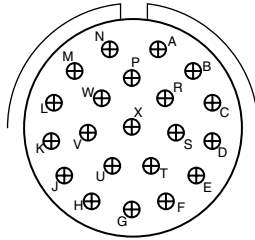
22992
Class 1

Back-
Shells

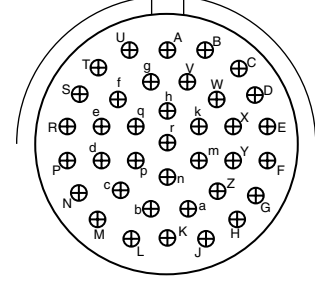
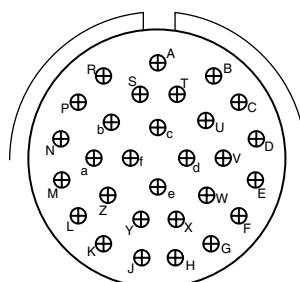
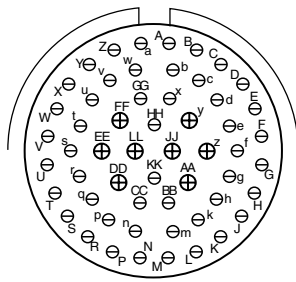
Options
Others

- 38999
- III
- HD
- Dualok
- II
- I
- SJT
- Accessories
- Aquacon
- Herm/Seal
- PCB

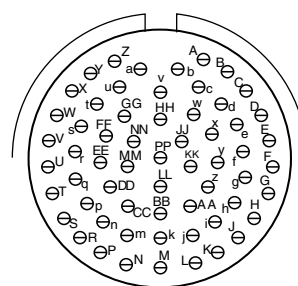
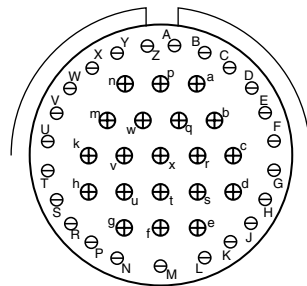
Front face of pin inserts illustrated



| Insert Arrangement | 23-21 | 23-53 | 23-55 |
|--------------------|-------|-------|-------|
| Number of Contacts | 21 | 53 | 55 |
| Contact Size | 16 | 20 | 20 |



| Insert Arrangement | 25-04 | 25-29 | 25-37 |
|--------------------|----------|-------|-------|
| Number of Contacts | 48 6 | 29 | 37 |
| Contact Size | 20 16 | 16 | 16 |



| Insert Arrangement | 25-43 | 25-61 |
|--------------------|----------|-------|
| Number of Contacts | 23 20 | 61 |
| Contact Size | 20 16 | 20 |

- HIGH SPEED**
- Fiber Optics
- Contacts
- Connectors
- Cables

- EMI Filter
- Transient

- 26482
- Matrix 2

- 83723 III
- Matrix | Pyle

- 26500
- Pyle

- 5015
- Crimp Rear Release Matrix

- 22992
- Class 1

- Back-Shells

- Options
- Others

***For use in MIL-STD-1760 applications. See 38999 Series III section in this catalog.
 † 12 Coax Contacts can be Matched Impedance or Power

CONTACT LEGEND

Multi-Channel Fiber Optic Circular (CF38999) Wall Mount/Box Mount Receptacles

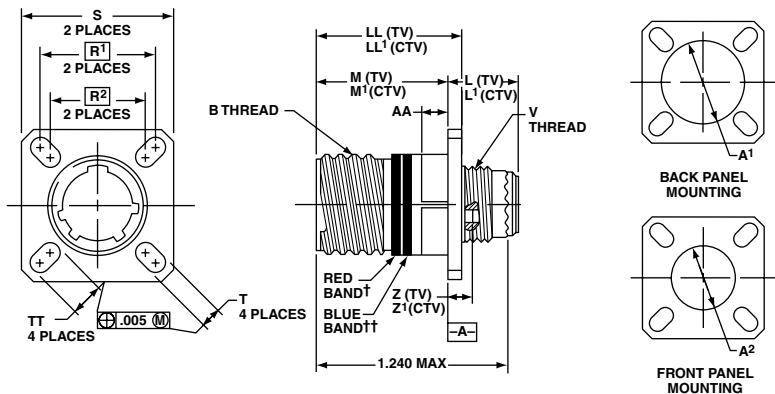
TRI-START™ METAL AND COMPOSITE CONNECTORS

Wall Mount Receptacle with Fiber Optics shell style 0

For complete part number, see how to order, page 193.

† Red Band indicates fully mated
†† Blue band indicates rear release contact retention system

□ Designates true position dimensioning



All dimensions for reference only

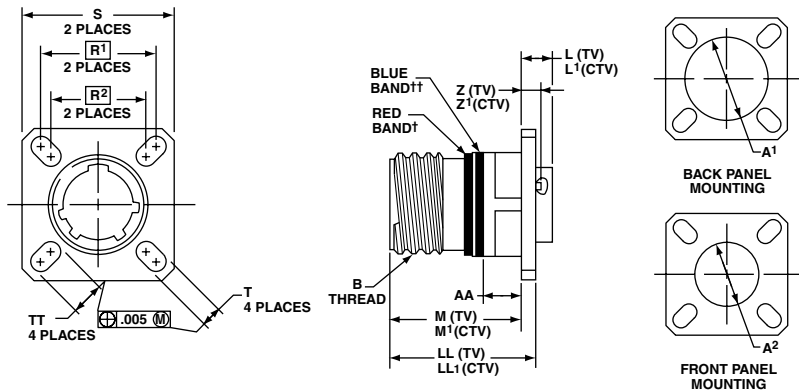
| Shell Size | MS Shell Size Code | BThread Class 2A 0.1P-0.3L-TS (Plated) | L Max. (TV) | L ¹ Max. (CTV) | M +.000 - .005 (TV) | M ¹ +.000 - .005 (CTV) | R ¹ | R ² | S Max. | T +.008 | V Thread Metric | Z Max. (TV) | Z ¹ Max. (CTV) | A ¹ Dia. Back Panel Mount | A ² Dia. Front Panel Mount | AA Max. Panel Thickness | LL +.006 - .000 (TV) | LL ¹ ±.005 (CTV) | TT ±.008 |
|------------|--------------------|--|-------------|---------------------------|---------------------|-----------------------------------|----------------|----------------|--------|---------|-----------------|-------------|---------------------------|--------------------------------------|---------------------------------------|-------------------------|----------------------|-----------------------------|----------|
| 9 | A | .6250 | .469 | .514 | .820 | .773 | .719 | .594 | .948 | .128 | M12X1-6g | .153 | .198 | .650 | .510 | .234 | .905 | .908 | .216 |
| 11 | B | .7500 | .469 | .514 | .820 | .773 | .812 | .719 | 1.043 | .128 | M15X1-6g | .153 | .198 | .800 | .620 | .234 | .905 | .908 | .194 |
| 13 | C | .8750 | .469 | .514 | .820 | .773 | .906 | .812 | 1.137 | .128 | M18X1-6g | .153 | .198 | .910 | .740 | .234 | .905 | .908 | .194 |
| 15 | D | 1.0000 | .469 | .514 | .820 | .773 | .969 | .906 | 1.232 | .128 | M22X1-6g | .153 | .198 | 1.040 | .900 | .234 | .905 | .908 | .173 |
| 17 | E | 1.1875 | .469 | .514 | .820 | .773 | 1.062 | .969 | 1.323 | .128 | M25X1-6g | .153 | .198 | 1.210 | 1.010 | .234 | .905 | .908 | .194 |
| 19 | F | 1.2500 | .469 | .514 | .820 | .773 | 1.156 | 1.062 | 1.449 | .128 | M28X1-6g | .153 | .198 | 1.280 | 1.130 | .234 | .905 | .908 | .194 |
| 21 | G | 1.3750 | .500 | .545 | .790 | .741 | 1.250 | 1.156 | 1.575 | .128 | M31X1-6g | .183 | .228 | 1.410 | 1.250 | .204 | .905 | .904 | .194 |
| 23 | H | 1.5000 | .500 | .545 | .790 | .741 | 1.375 | 1.250 | 1.701 | .154 | M34X1-6g | .183 | .228 | 1.530 | 1.360 | .204 | .905 | .904 | .242 |
| 25 | J | 1.6250 | .500 | .545 | .790 | .741 | 1.500 | 1.375 | 1.823 | .154 | M37X1-6g | .183 | .228 | 1.660 | 1.470 | .204 | .905 | .904 | .242 |

Box Mount Receptacle with Fiber Optics shell style 2

For complete part number, see how to order, page 193.
Consult Amphenol Aerospace for availability of composite box mount receptacles.

† Red Band indicates fully mated
†† Blue band indicates rear release contact retention system

□ Designates true position dimensioning



All dimensions for reference only

| Shell Size | MS Shell Size Code | BThread Class 2A 0.1P-0.3L-TS (Plated) | L Max. (TV) | L ¹ Max. (CTV) | M +.000 - .005 (TV) | M ¹ +.000 - .005 (CTV) | R ¹ | R ² | S Max. | T +.008 | Z Max. (TV) | Z ¹ Max. (CTV) | A ¹ Dia. Back Panel Mount | A ² Dia. Front Panel Mount | AA Max. Panel Thickness | LL +.006 - .000 (TV) | LL ¹ ±.005 (CTV) | TT ±.008 |
|------------|--------------------|--|-------------|---------------------------|---------------------|-----------------------------------|----------------|----------------|--------|---------|-------------|---------------------------|--------------------------------------|---------------------------------------|-------------------------|----------------------|-----------------------------|----------|
| 9 | A | .6250 | .205 | .250 | .820 | .773 | .719 | .594 | .948 | .128 | .153 | .198 | .650 | .510 | .234 | .905 | .908 | .216 |
| 11 | B | .7500 | .205 | .250 | .820 | .773 | .812 | .719 | 1.043 | .128 | .153 | .198 | .800 | .620 | .234 | .905 | .908 | .194 |
| 13 | C | .8750 | .205 | .250 | .820 | .773 | .906 | .812 | 1.137 | .128 | .153 | .198 | .910 | .740 | .234 | .905 | .908 | .194 |
| 15 | D | 1.0000 | .205 | .250 | .820 | .773 | .969 | .906 | 1.232 | .128 | .153 | .198 | 1.040 | .900 | .234 | .905 | .908 | .173 |
| 17 | E | 1.1875 | .205 | .250 | .820 | .773 | 1.062 | .969 | 1.323 | .128 | .153 | .198 | 1.210 | 1.010 | .234 | .905 | .908 | .194 |
| 19 | F | 1.2500 | .205 | .250 | .820 | .773 | 1.156 | 1.062 | 1.449 | .128 | .153 | .198 | 1.280 | 1.130 | .234 | .905 | .908 | .194 |
| 21 | G | 1.3750 | .235 | .280 | .790 | .741 | 1.250 | 1.156 | 1.575 | .128 | .183 | .228 | 1.410 | 1.250 | .204 | .905 | .904 | .194 |
| 23 | H | 1.5000 | .235 | .280 | .790 | .741 | 1.375 | 1.250 | 1.701 | .154 | .183 | .228 | 1.530 | 1.360 | .204 | .905 | .904 | .242 |
| 25 | J | 1.6250 | .235 | .280 | .790 | .741 | 1.500 | 1.375 | 1.823 | .154 | .183 | .228 | 1.660 | 1.470 | .204 | .905 | .904 | .242 |

38999

- III
- HD
- Dualok
- II
- I
- SJT
- Accessories
- Aquacon
- Herm/Seal
- PCB

HIGH SPEED
Fiber Optics
Contacts
Connectors
Cables

EMI Filter
Transient

26482
Matrix 2

83723 III
Matrix | Pyle

26500
Pyle

5015
Crmp Rear Release Matrix

22992
Class 1

Back-
Shells

Options
Others

38999
III
HD
Dualok
II
I
SJT
Accessories
Aquacon
Herm/Seal
PCB

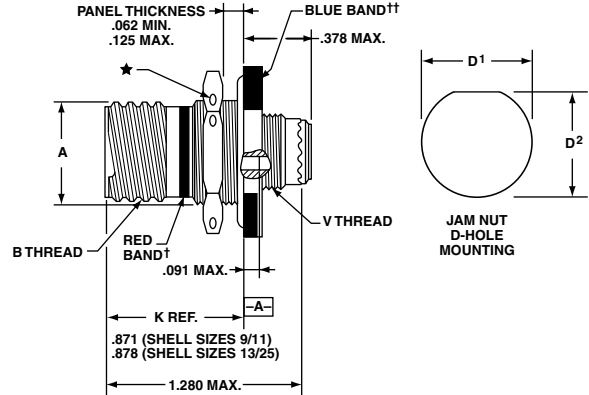
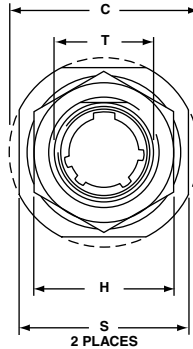
TRI-START™ METAL AND COMPOSITE CONNECTORS

Jam Nut Receptacle with Fiber Optics shell style 7

For complete part number, see how to order, page 193.

† Red Band indicates fully mated
†† Blue band indicates rear release contact retention system

★ .059 dia. min. 3 lockwire holes
Formed lockwire hole design (6 holes) is optional
All dimensions for reference only

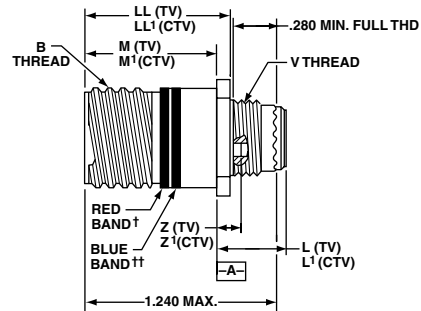
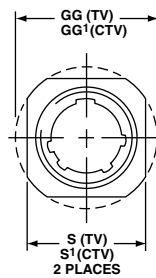


| Shell Size | MS Shell Size Code | A* +.000 -.010 | BThread Class 2A 0.1P-0.3L-TS (Plated) | C Max. | D ¹ +.010 -.000 | D ² +.000 -.010 | H Hex +.017 -.016 | S ±.010 | T +.010 -.000 | V Thread Metric |
|------------|--------------------|----------------------|---|-----------|----------------------------------|----------------------------------|-------------------------|------------|---------------------|-----------------|
| 9 | A | .669 | .6250 | 1.199 | .700 | .670 | .875 | 1.062 | .697 | M12X1-6g |
| 11 | B | .769 | .7500 | 1.386 | .825 | .770 | 1.000 | 1.250 | .822 | M15X1-6g |
| 13 | C | .955 | .8750 | 1.511 | 1.010 | .955 | 1.188 | 1.375 | 1.007 | M18X1-6g |
| 15 | D | 1.084 | 1.0000 | 1.636 | 1.135 | 1.085 | 1.312 | 1.500 | 1.134 | M22X1-6g |
| 17 | E | 1.208 | 1.1875 | 1.761 | 1.260 | 1.210 | 1.438 | 1.625 | 1.259 | M25X1-6g |
| 19 | F | 1.333 | 1.2500 | 1.949 | 1.385 | 1.335 | 1.562 | 1.812 | 1.384 | M28X1-6g |
| 21 | G | 1.459 | 1.3750 | 2.073 | 1.510 | 1.460 | 1.688 | 1.938 | 1.507 | M31X1-6g |
| 23 | H | 1.575 | 1.5000 | 2.199 | 1.635 | 1.585 | 1.812 | 2.062 | 1.634 | M34X1-6g |
| 25 | J | 1.709 | 1.6250 | 2.323 | 1.760 | 1.710 | 2.000 | 2.188 | 1.759 | M37X1-6g |

Line Receptacle with Fiber Optics shell style 1

For complete part number, see how to order, page 193.

† Red Band indicates fully mated
†† Blue band indicates rear release contact retention system
All dimensions for reference only



| Shell Size | MS Shell Size Code | BThread 0.1P-0.3L-TS-2A (Plated) | L Max. (TV) | L ¹ Max. (CTV) | M +.000 -.005 | M ¹ +.000 -.005 | S ±.010 (TV) | S ¹ ±.010 (CTV) | V Thread Metric | Z Max. (TV) | Z ¹ Max. (CTV) | GG Dia. ±.010 (TV) | GG ¹ Dia. ±.010 (CTV) | LL +.006 -.000 (TV) | LL ¹ ±.005 (CTV) |
|------------|--------------------|--|-------------------|---------------------------------|---------------------|----------------------------------|--------------------|----------------------------------|-----------------|-------------------|---------------------------------|-----------------------------|---|------------------------------|-----------------------------------|
| 9 | A | .6250 | .469 | .514 | .820 | .773 | .675 | .635 | M12X1-6g | .153 | .198 | .812 | .699 | .905 | .908 |
| 11 | B | .7500 | .469 | .514 | .820 | .773 | .800 | .765 | M15X1-6g | .153 | .198 | .905 | .875 | .905 | .908 |
| 13 | C | .8750 | .469 | .514 | .820 | .773 | .925 | .885 | M18X1-6g | .153 | .198 | 1.093 | 1.007 | .905 | .908 |
| 15 | D | 1.0000 | .469 | .514 | .820 | .773 | 1.050 | 1.100 | M22X1-6g | .153 | .198 | 1.219 | 1.140 | .905 | .908 |
| 17 | E | 1.1875 | .469 | .514 | .820 | .773 | 1.238 | 1.197 | M25X1-6g | .153 | .198 | 1.375 | 1.229 | .905 | .908 |
| 19 | F | 1.2500 | .469 | .514 | .820 | .773 | 1.300 | 1.260 | M28X1-6g | .153 | .198 | 1.469 | 1.380 | .905 | .908 |
| 21 | G | 1.3750 | .500 | .545 | .790 | .741 | 1.425 | 1.385 | M31X1-6g | .183 | .228 | 1.625 | 1.493 | .905 | .904 |
| 23 | H | 1.5000 | .500 | .545 | .790 | .741 | 1.550 | 1.510 | M34X1-6g | .183 | .228 | 1.750 | 1.626 | .905 | .904 |
| 25 | J | 1.6250 | .500 | .545 | .790 | .741 | 1.675 | 1.635 | M37X1-6g | .183 | .228 | 1.875 | 1.777 | .905 | .904 |

EMI Filter Transient

26482 Matrix 2

83723 III Matrix | Pyle

26500 Pyle

5015 Crimp Rear Release Matrix

22992 Class L

Back-Shells

Options Others

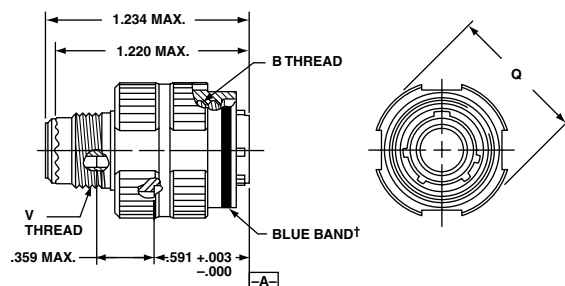
Multi-Channel Fiber Optic Circular (CF38999) Straight Plug

TRI-START™ METAL AND COMPOSITE CONNECTORS

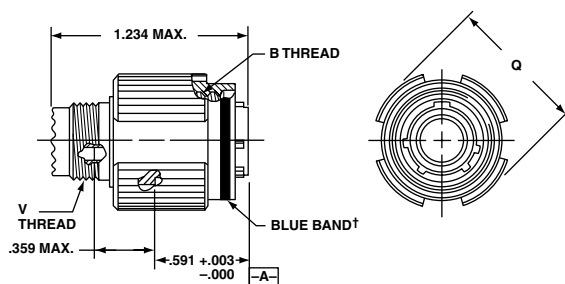
Straight Plug with Fiber Optics shell style 6

For complete part number,
see how to order, page 193.

METAL



COMPOSITE



† Blue band indicates rear release contact retention system

| Shell Size | MS Shell Size Code | B Thread 0.1P-0.3L-TS-2B (Plated) | Q Dia. Max. | V Thread Metric |
|------------|--------------------|---|----------------|--------------------|
| 9 | A | .6250 | .858 | M12X1-6g |
| 11 | B | .7500 | .984 | M15X1-6g |
| 13 | C | .8750 | 1.157 | M18X1-6g |
| 15 | D | 1.0000 | 1.280 | M22X1-6g |
| 17 | E | 1.1875 | 1.406 | M25X1-6g |
| 19 | F | 1.2500 | 1.516 | M28X1-6g |
| 21 | G | 1.3750 | 1.642 | M31X1-6g |
| 23 | H | 1.5000 | 1.768 | M34X1-6g |
| 25 | J | 1.6250 | 1.890 | M37X1-6g |

38999

- III
- HD
- Dualok
- II
- I
- SJT
- Accessories
- Aquacon
- Herm/Seal
- PCB

**HIGH
SPEED**

Fiber
Optics

Contacts
Connectors
Cables

EMI Filter
Transient

26482
Matrix 2

83723 III
Matrix | Pyle

26500
Pyle

5015
Crimp Rear
Release
Matrix

22992
Class 1

Back-
Shells

Options
Others

Компания «Океан Электроники» предлагает заключение долгосрочных отношений при поставках импортных электронных компонентов на взаимовыгодных условиях!

Наши преимущества:

- Поставка оригинальных импортных электронных компонентов напрямую с производств Америки, Европы и Азии, а так же с крупнейших складов мира;
- Широкая линейка поставок активных и пассивных импортных электронных компонентов (более 30 млн. наименований);
- Поставка сложных, дефицитных, либо снятых с производства позиций;
- Оперативные сроки поставки под заказ (от 5 рабочих дней);
- Экспресс доставка в любую точку России;
- Помощь Конструкторского Отдела и консультации квалифицированных инженеров;
- Техническая поддержка проекта, помощь в подборе аналогов, поставка прототипов;
- Поставка электронных компонентов под контролем ВП;
- Система менеджмента качества сертифицирована по Международному стандарту ISO 9001;
- При необходимости вся продукция военного и аэрокосмического назначения проходит испытания и сертификацию в лаборатории (по согласованию с заказчиком);
- Поставка специализированных компонентов военного и аэрокосмического уровня качества (Xilinx, Altera, Analog Devices, Intersil, Interpoint, Microsemi, Actel, Aeroflex, Peregrine, VPT, Syfer, Eurofarad, Texas Instruments, MS Kennedy, Miteq, Cobham, E2V, MA-COM, Hittite, Mini-Circuits, General Dynamics и др.);

Компания «Океан Электроники» является официальным дистрибьютором и эксклюзивным представителем в России одного из крупнейших производителей разъемов военного и аэрокосмического назначения «JONHON», а так же официальным дистрибьютором и эксклюзивным представителем в России производителя высокотехнологичных и надежных решений для передачи СВЧ сигналов «FORSTAR».



JONHON

«JONHON» (основан в 1970 г.)

Разъемы специального, военного и аэрокосмического назначения:

(Применяются в военной, авиационной, аэрокосмической, морской, железнодорожной, горно- и нефтедобывающей отраслях промышленности)

«FORSTAR» (основан в 1998 г.)

ВЧ соединители, коаксиальные кабели, кабельные сборки и микроволновые компоненты:

(Применяются в телекоммуникациях гражданского и специального назначения, в средствах связи, РЛС, а так же военной, авиационной и аэрокосмической отраслях промышленности).



Телефон: 8 (812) 309-75-97 (многоканальный)

Факс: 8 (812) 320-03-32

Электронная почта: ocean@oceanchips.ru

Web: <http://oceanchips.ru/>

Адрес: 198099, г. Санкт-Петербург, ул. Калинина, д. 2, корп. 4, лит. А