

# 1A I<sup>2</sup>C Battery Gas Gauge with Internal Sense Resistor

## FEATURES

- Indicates Accumulated Battery Charge and Discharge
- SMBus/I<sup>2</sup>C Interface
- Integrated 50mΩ High Side Sense Resistor
- ±1A Sense Current Range
- High Accuracy Analog Integration
- 1% Charge Accuracy
- Configurable Alert Output/Charge Complete Input
- 2.7V to 5.5V Operating Range
- Quiescent Current Less than 100μA
- Small 6-Pin 2mm × 3mm DFN package

## APPLICATIONS

- Low Power Handheld Products
- Cellular Phones
- MP3 Player
- Cameras
- GPS

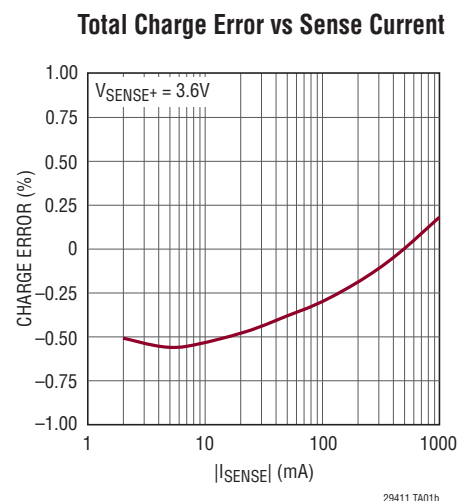
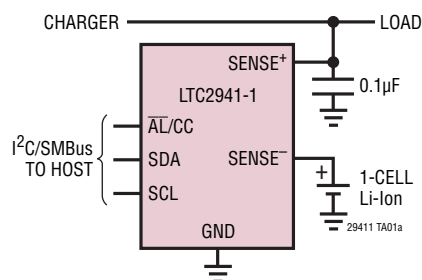
## DESCRIPTION

The LTC<sup>®</sup>2941-1 measures battery charge state in battery-powered handheld PC and portable product applications. Its operating range is perfectly suited for single cell Li-Ion batteries. A precision coulomb counter integrates current through an internal sense resistor between the battery's positive terminal and the load or charger. The measured charge is stored in internal registers. An SMBus/I<sup>2</sup>C interface accesses and configures the device.

The LTC2941-1 features programmable high and low thresholds for accumulated charge. If a threshold is exceeded, the device communicates an alert using either the SMBus alert protocol or by setting a flag in the internal status register.

LT, LT, LTC, LTM, Linear Technology and the Linear logo are registered trademarks and Hot Swap, ThinSOT and Bat-Track are trademarks of Linear Technology Corporation. All other trademarks are the property of their respective owners.

## TYPICAL APPLICATION



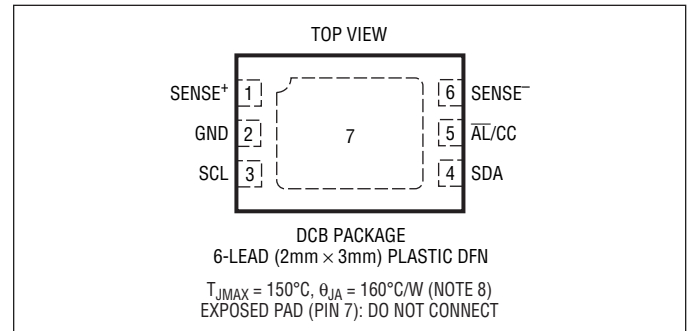
# LTC2941-1

## ABSOLUTE MAXIMUM RATINGS

(Notes 1, 2)

|  |                |
|--|----------------|
| Supply Voltage (SENSE <sup>+</sup> )     | -0.3V to 6V    |
| SCL, SDA, $\overline{AL}/\overline{CC}$  | -0.3V to 6V    |
| Sense Current (into SENSE <sup>-</sup> ) | ±2A            |
| Operating Ambient Temperature Range      |                |
| LTC2941-1C                               | 0°C to 70°C    |
| LTC2941-1I                               | -40°C to 85°C  |
| Storage Temperature Range                | -65°C to 150°C |

## PIN CONFIGURATION



## ORDER INFORMATION

### Lead Free Finish

| TAPE AND REEL (MINI) | TAPE AND REEL       | PART MARKING* | PACKAGE DESCRIPTION            | TEMPERATURE RANGE |
|----------------------|---------------------|---------------|--------------------------------|-------------------|
| LTC2941CDCB-1#TRMPBF | LTC2941CDCB-1#TRPBF | LFKP          | 6-Lead (2mm × 3mm) Plastic DFN | 0°C to 70°C       |
| LTC2941IDCB-1#TRMPBF | LTC2941IDCB-1#TRPBF | LFKP          | 6-Lead (2mm × 3mm) Plastic DFN | -40°C to 85°C     |

TRM = 500 pieces. \*Temperature grades are identified by a label on the shipping container.

Consult LTC Marketing for parts specified with wider operating temperature ranges.

Consult LTC Marketing for information on lead based finish parts.

For more information on lead free part marking, go to: <http://www.linear.com/leadfree/>

For more information on tape and reel specifications, go to: <http://www.linear.com/tapeandreeel/>

## ELECTRICAL CHARACTERISTICS

The ● denotes the specifications which apply over the full operating temperature range, otherwise specifications are at T<sub>A</sub> = 25°C. (Note 2)

| SYMBOL                    | PARAMETER   | CONDITIONS   | MIN | TYP   | MAX  | UNITS |   |
|---------------------------|---|--|-----|-------|------|-------|---|
| <b>Power Requirements</b> |   |  |     |       |      |       |   |
| V <sub>SENSE+</sub>       | Supply Voltage  |  | 2.7 |       | 5.5  | V     |   |
| I <sub>SUPPLY</sub>       | Supply Current (Note 3)   | Device On  |     | 70    | 100  | μA    |   |
|                           |   | Shutdown   |     |       | 2.5  | μA    |   |
|                           |   | Shutdown, V <sub>SENSE+</sub> ≤ 4.2V                               |     |       | 1    | μA    |   |
| V <sub>UVLO</sub>         | Undervoltage Lockout Threshold                                      | V <sub>SENSE+</sub> Falling  | 2.5 | 2.6   | 2.7  | V     |   |
| <b>Coulomb Counter</b>    |   |  |     |       |      |       |   |
| I <sub>SENSE-</sub>       | Sense Current   |  |     |       | ±1   | A     |   |
| R <sub>SENSE</sub>        | Internal Sense Resistance   |  |     | 50    |      | mΩ    |   |
| R <sub>PP</sub>           | Pin-to-Pin Resistance from SENSE <sup>+</sup> to SENSE <sup>-</sup> | (Note 7)   | 50  | 74    | 100  | mΩ    |   |
| Q <sub>LSB</sub>          | Charge LSB (Note 4)   | Prescaler M = 128 (Default)  |     | 0.085 |      | mAh   |   |
| TCE                       | Total Charge Error (Note 5)   | 0.2A ≤  I <sub>SENSE</sub>   ≤ 1A DC                               |     |       | ±1   | %     |   |
|                           |   | 0.2A ≤  I <sub>SENSE</sub>   ≤ 1A DC, 0°C to 70°C                  |     |       | ±1.8 | %     |   |
|                           |   | 0.02A ≤  I <sub>SENSE</sub>   ≤ 1A DC (Note 7)                     | ●   |       | ±2.8 | %     |   |
| V <sub>bat</sub> Alert    | V <sub>bat</sub> Alert Threshold                                    | V <sub>SENSE-</sub> Falling, B[7:6] = 01, I <sub>SENSE-</sub> = 0A | ●   | 2.75  | 2.8  | 2.85  | V |
|                           |   | V <sub>SENSE-</sub> Falling, B[7:6] = 10, I <sub>SENSE-</sub> = 0A | ●   | 2.85  | 2.9  | 2.95  | V |
|                           |   | V <sub>SENSE-</sub> Falling, B[7:6] = 11, I <sub>SENSE-</sub> = 0A | ●   | 2.95  | 3    | 3.05  | V |

29411f

**ELECTRICAL CHARACTERISTICS** The ● denotes the specifications which apply over the full operating temperature range, otherwise specifications are at T<sub>A</sub> = 25°C. (Note 2)

| SYMBOL                                       | PARAMETER  | CONDITIONS                               | MIN                         | TYP | MAX                       | UNITS |
|--|--|--|-----------------------------|-----|---------------------------|-------|
| <b>Digital Inputs and Digital Outputs</b>    |  |  |                             |     |                           |       |
| V <sub>ITH</sub>                             | Logic Input Threshold, $\overline{A}/\overline{C}/\overline{C}$ , SCL, SDA |  | ● 0.3 • V <sub>SENSE+</sub> |     | 0.7 • V <sub>SENSE+</sub> | V     |
| V <sub>OL</sub>                              | Low Level Output Voltage, $\overline{A}/\overline{C}/\overline{C}$ , SDA   | I = 3mA                                  | ●                           |     | 0.4                       | V     |
| I <sub>IN</sub>                              | Input Leakage, $\overline{A}/\overline{C}/\overline{C}$ , SCL, SDA         | V <sub>IN</sub> = V <sub>SENSE+</sub> /2 | ●                           |     | 1                         | μA    |
| C <sub>IN</sub>                              | Input Capacitance, $\overline{A}/\overline{C}/\overline{C}$ , SCL, SDA     | (Note 7)                                 | ●                           |     | 10                        | pF    |
| t <sub>PCC</sub>                             | Minimum Charge Complete (CC) Pulse Width                                   |  |                             |     | 1                         | μs    |
| <b>I<sup>2</sup>C Timing Characteristics</b> |  |  |                             |     |                           |       |
| f <sub>SCL(MAX)</sub>                        | Maximum SCL Clock Frequency  |  | ● 400                       | 900 |                           | kHz   |
| t <sub>BUF(MIN)</sub>                        | Bus Free Time Between Stop/Start   |  | ●                           |     | 1.3                       | μs    |
| t <sub>SU,STA(MIN)</sub>                     | Minimum Repeated Start Setup Time  |  | ●                           |     | 600                       | ns    |
| t <sub>HD,STA(MIN)</sub>                     | Minimum Hold Time (Repeated) Start Condition                               |  | ●                           |     | 600                       | ns    |
| t <sub>SU,STO(MIN)</sub>                     | Minimum Setup Time for Stop Condition                                      |  | ●                           |     | 600                       | ns    |
| t <sub>SU,DAT(MIN)</sub>                     | Minimum Data Setup Time Input  |  | ●                           |     | 100                       | ns    |
| t <sub>HD,DAT(MIN)</sub>                     | Minimum Data Hold Time Input   |  | ●                           |     | 0                         | μs    |
| t <sub>HD,DATO</sub>                         | Data Hold Time Output  |  | ● 0.3                       |     | 0.9                       | μs    |
| t <sub>of</sub>                              | Data Output Fall Time  | (Notes 6, 7)                             | ● 20 + 0.1 • C <sub>B</sub> |     | 300                       | ns    |

**Note 1:** Stresses beyond those listed under Absolute Maximum Ratings may cause permanent damage to the device. Exposure to any Absolute Maximum Rating condition for extended periods may affect device reliability and lifetime.

**Note 2:** All currents into pins are positive, all voltages are referenced to GND unless otherwise specified

**Note 3:** I<sub>SUPPLY</sub> = I<sub>SENSE+</sub> + I<sub>SENSE-</sub>

**Note 4:** The equivalent charge of an LSB in the accumulated charge registers (C,D) depends on the setting of the internal pre-scaling factor M. It is calculated by:

$$q_{LSB} = 0.085\text{mAh} \cdot \frac{M}{128}$$

See Choosing Coulomb Counter Prescaler M section for more information.  
1mAh = 3.6A • s = 3.6C (Coulomb), 0.085mAh = 306mC.

**Note 5:** Deviation of q<sub>LSB</sub> from its nominal value. Data is for a new device and does not include long-term sense resistor aging. See the Internal Sense Resistor section for more information.

**Note 6:** C<sub>B</sub> = capacitance of one bus line in pF (10pF ≤ C<sub>B</sub> ≤ 400pF).

**Note 7:** Guaranteed by design, not subject to test.

**Note 8:** Value decreases if exposed pad is soldered to large copper area. See Power Dissipation section for more information.

**TIMING DIAGRAM**

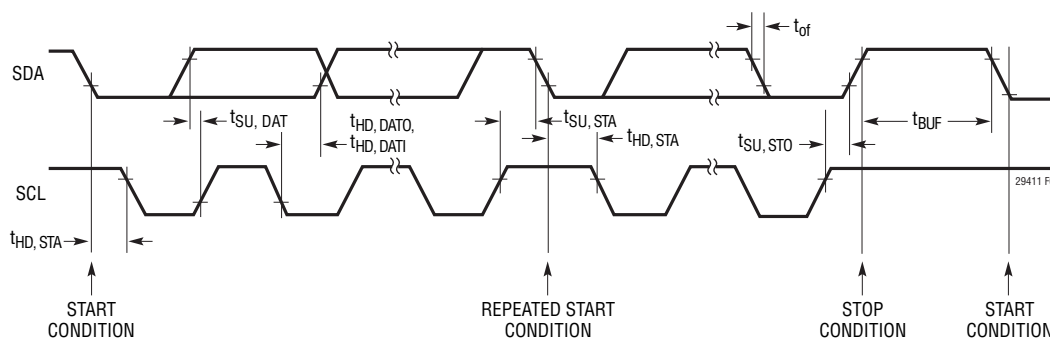
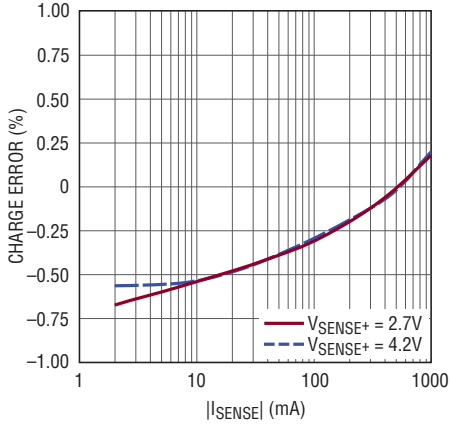


Figure 1. Definition of Timing on I<sup>2</sup>C Bus

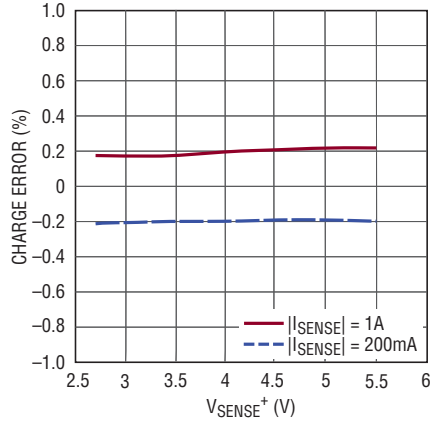
## TYPICAL PERFORMANCE CHARACTERISTICS

**Total Charge Error vs Sense Current**



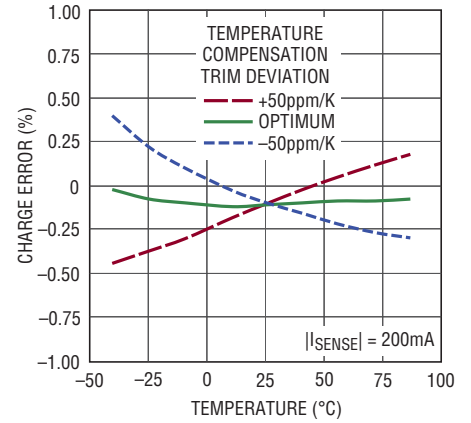
29411 G01

**Total Charge Error vs Supply Voltage**



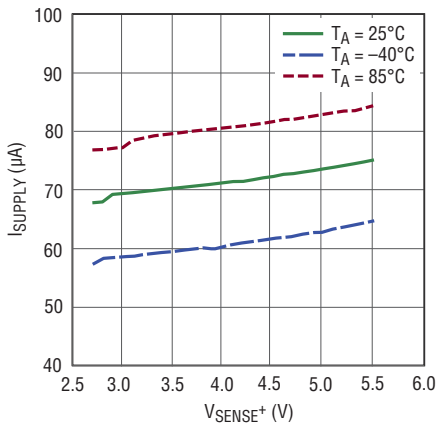
29411 G02

**Total Charge Error vs Temperature**



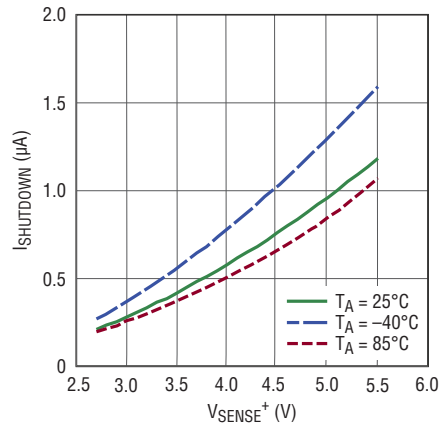
24911 G03

**Supply Current vs Supply Voltage**



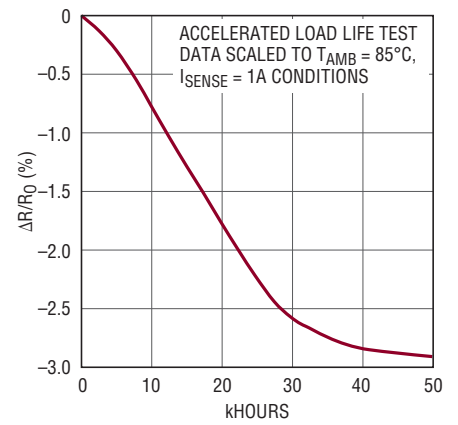
29411 G04

**Shutdown Supply Current vs Supply Voltage**



29411 G05

**Sense Resistor Stability**



29411 G06

## PIN FUNCTIONS

**SENSE<sup>+</sup> (Pin 1):** Positive Current Sense Input and Power Supply. Connect to the load and battery charger output.  $V_{\text{SENSE}^+}$  operating range is 2.7V to 5.5V.

**GND (Pin 2):** Device Ground. Connect directly to the negative battery terminal.

**SCL (Pin 3):** Serial Bus Clock Input.

**SDA (Pin 4):** Serial Bus Data Input and Output.

**$\overline{\text{AL}}/\text{CC}$  (Pin 5):** Alert Output or Charge Complete Input. Configured either as an SMBus alert output or charge complete input by control register bits B[2:1]. At power-up, the pin defaults to alert mode conforming to the SMBus alert response protocol. It behaves as an open-drain logic output that pulls to GND when a value in the threshold registers is exceeded.

When configured as a charge complete input, a high level at CC sets the value of the accumulated charge (registers C, D) to FFFFh. Coulomb counting starts when the input returns to low level.

**SENSE<sup>-</sup> (Pin 6):** Negative Current Sense Input. Connect SENSE<sup>-</sup> to the positive battery terminal. Current from/into this pin must not exceed 1A in normal operation.

**Exposed Pad (Pin 7):** Do Not Connect. Soldering the exposed pad to adequate electrically isolated copper area is recommended for best thermal performance.

**BLOCK DIAGRAM**

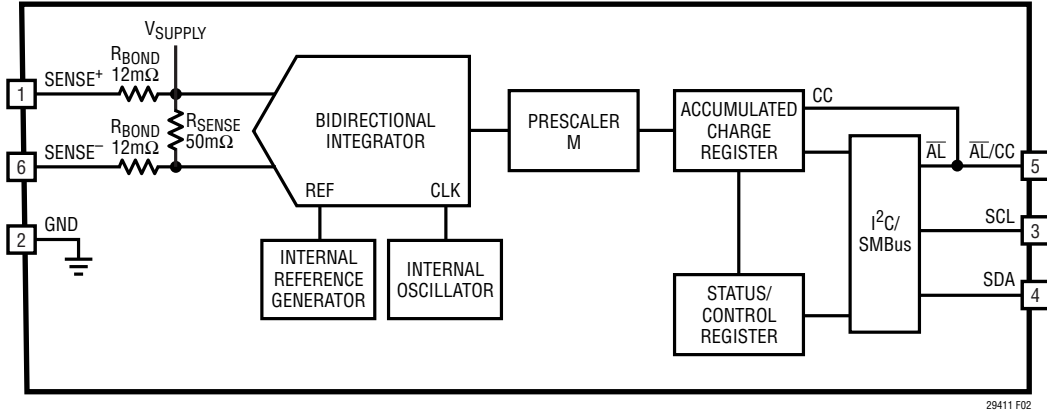


Figure 2. Block Diagram of the LTC2941-1

29411 F02

## OPERATION

### Overview

The LTC2941-1 is a battery gas gauge device designed for use with single Li-Ion cells and other battery types with terminal voltages from 2.7V to 5.5V. A precision coulomb counter integrates current through an internal sense resistor between the battery's positive terminal and the load or charger. The integrated, temperature-compensated sense resistor offers board space savings and superior charge measurement accuracy in applications with currents up to 1A.

### Coulomb Counter

Charge is the time integral of current. The LTC2941-1 measures battery current by monitoring the voltage developed across its internal sense resistor and then integrates this information to infer charge. The internal sense resistor is tied between the SENSE<sup>+</sup> and SENSE<sup>-</sup> pins and is connected to an auto-zeroed differential analog integrator which converts the measured current to charge.

When the integrator output reaches the REFHI or REFLO thresholds, switches S1, S2, S3 and S4 toggle to reverse the ramp direction. By observing the condition of the switches and the ramp direction, polarity is determined. A programmable prescaler effectively increases integration time by a factor M programmable from 1 to 128. At each underflow or overflow of the prescaler, the accumulated charge register (ACR) value is incremented or decremented one count. The value of accumulated charge is read via the I<sup>2</sup>C interface.

### Power-Up Sequence

When  $V_{\text{SENSE}^+}$  rises above a threshold of approximately 2.5V, the LTC2941-1 generates an internal power-on reset (POR) signal and sets all registers to their default state. In the default state, the coulomb counter is active. The accumulated charge is set to mid-scale (7FFFh), the low threshold registers are set to 0000h and all the high threshold registers are set to FFFFh. The alert mode is enabled and the coulomb counter pre-scaling factor M is set to 128.

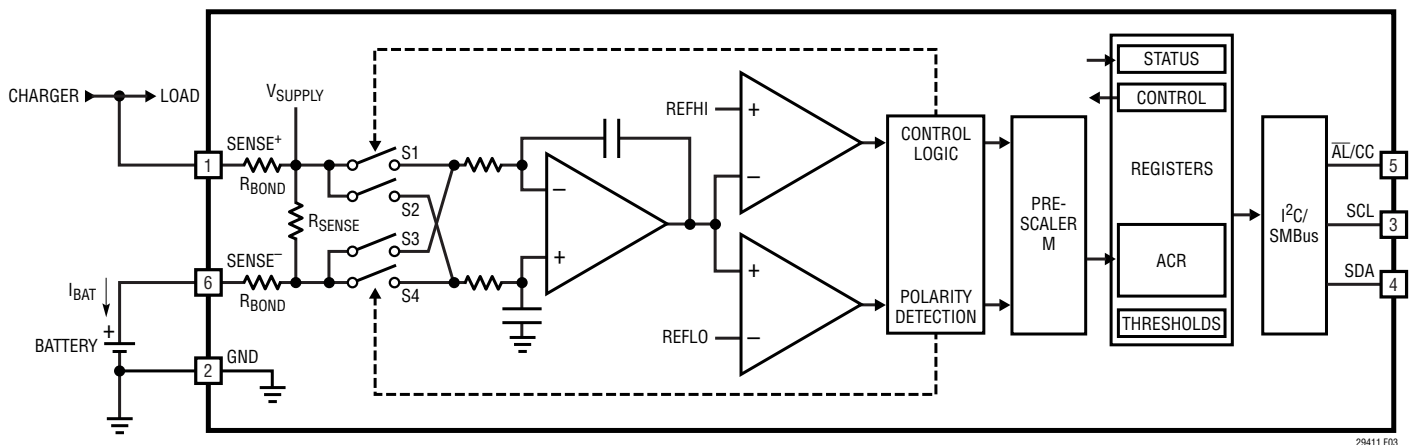


Figure 3. Coulomb Counter Section of the LTC2941-1

## APPLICATIONS INFORMATION

### I<sup>2</sup>C/SMBus Interface

The LTC2941-1 communicates with a bus master using a 2-wire interface compatible with I<sup>2</sup>C and SMBus. The 7-bit hard-coded **I<sup>2</sup>C address of LTC2941-1 is 1100100**.

The LTC2941-1 is a slave-only device. Therefore, the serial clock line (SCL) is input only while the data line (SDA) is bidirectional. The device supports I<sup>2</sup>C standard and fast mode. For more details refer to the I<sup>2</sup>C Protocol section.

### Internal Registers

The LTC2941-1 integrates current through a sense resistor and stores a 16-bit result, accumulated charge, as two bytes in registers C and D. Two byte high and low limits programmed in registers E, F, G and H are continuously compared against the accumulated charge. If either limit is exceeded, a corresponding flag is set in the status register bits A[2] or A[3]. If the alert mode is enabled, the  $\overline{\text{AL/CC}}$  pin pulls low.

The internal eight registers are organized as shown in Table 1:

**Table 1. Register Map**

| ADDRESS | NAME | REGISTER DESCRIPTION      | R/W | DEFAULT   |
|---------|------|---------------------------|-----|-----------|
| 00h     | A    | Status                    | R   | See Below |
| 01h     | B    | Control                   | R/W | 3Ch       |
| 02h     | C    | Accumulated Charge MSB    | R/W | 7Fh       |
| 03h     | D    | Accumulated Charge LSB    | R/W | FFh       |
| 04h     | E    | Charge Threshold High MSB | R/W | FFh       |
| 05h     | F    | Charge Threshold High LSB | R/W | FFh       |
| 06h     | G    | Charge Threshold Low MSB  | R/W | 00h       |
| 07h     | H    | Charge Threshold Low LSB  | R/W | 00h       |

R = Read, W = Write

### Status Register (A)

Table 2 shows the details of the status register (address 00h):

**Table 2. Status Register A (Read Only)**

| BIT  | NAME                                  | OPERATION   | DEFAULT |
|------|---------------------------------------|---|---------|
| A[7] | Chip Identification                   | 1: LTC2941-1<br>0: LTC2942-1  | 1       |
| A[6] | Reserved                              | Not Used.   | 0       |
| A[5] | Accumulated Charge Overflow/Underflow | Indicates that the value of the accumulated charge hit either top or bottom.  | 0       |
| A[4] | Reserved                              | Not used.   | 0       |
| A[3] | Charge Alert High                     | Indicates that the accumulated charge value exceeded the charge threshold high limit.                               | 0       |
| A[2] | Charge Alert Low                      | Indicates that the accumulated charge value dropped below the charge threshold low limit.                           | 0       |
| A[1] | V <sub>BAT</sub> Alert                | Indicates that the battery voltage (at SENSE <sup>-</sup> ) dropped below selected V <sub>BAT</sub> threshold.      | 0       |
| A[0] | Undervoltage Lockout Alert            | Indicates recovery from undervoltage. If equal to 1, a UVLO has occurred and the content of registers is uncertain. | X       |

The  $\overline{\text{AL/CC}}$  pin can be configured to pull low whenever any status register bit is set (except for bit A[7] and A[0]), using control register bits B[2] and B[1]. All status register bits except A[7] are cleared after being read by the host if the conditions which set these bits have been removed.

As soon as one of the measured quantities exceeds the programmed limits, the corresponding bit A[3], A[2] or A[1] in the status register is set.



## APPLICATIONS INFORMATION

Bit A[5] is set if the LTC2941-1's accumulated charge overflows or underflows the combined total in registers C and D. Note that the counting process does not roll over, but simply stops at FFFFh or 0000h until the direction is reversed.

The LTC2941-1 includes a battery undervoltage monitor, which sets bit A1 if the limit is exceeded. Limits are selected in the control register.

The undervoltage lockout (UVLO) bit A[0] is set if, during operation, the voltage on SENSE+ drops below 2.7V without reaching the POR level. The analog parts of the coulomb counter are switched off while the digital register values are retained. After recovery of the supply voltage the coulomb counter resumes integrating with the stored value in the accumulated charge registers (C, D) but it has missed any charge flowing while  $V_{\text{SENSE}^+} < 2.7\text{V}$ .

The hard coded bit A[7] of the status register enables the host to distinguish the LTC2941-1 from the pin compatible LTC2942-1, allowing the same software to be used with both devices.

### Control Register (B)

The operation of the LTC2941-1 can be controlled by programming the control register at address 01h. Table 3 shows the organization of the 8-bit control register B[7:0]

**Table 3. Control Register B**

| BIT    | NAME                   | OPERATION  | DEFAULT |
|--------|------------------------|--|---------|
| B[7:6] | V <sub>BAT</sub> Alert | [11] Threshold Value = 3.0V.<br>[10] Threshold Value = 2.9V.<br>[01] Threshold Value = 2.8V.<br>[00] V <sub>BAT</sub> Alert Off.   | [00]    |
| B[5:3] | Prescaler M            | Sets coulomb counter prescaling factor M between 1 and 128. Default is 128.<br>$M = 2^{(4 \cdot B[5] + 2 \cdot B[4] + B[3])}$ .  | [111]   |
| B[2:1] | AL/CC Configure        | Configures the AL/CC pin.<br>[10] Alert Mode. Alert functionality enabled. Pin becomes logic output.<br>[01] Charge Complete Mode. Pin becomes logic input and accepts "charge complete" signal (e.g., from a charger) to set accumulated charge Register to FFFFh.<br>[00] AL/CC pin disabled.<br>[11] Not allowed. | [10]    |
| B[0]   | Shutdown               | Shut down analog section to reduce I <sub>SUPPLY</sub> .   | [0]     |

### Power Down B[0]

Programming the last bit B[0] of the control register to 1 sets the analog parts of the LTC2941-1 in power down and the current consumption drops typically below 1μA. All analog circuits are disabled while the values in the registers are retained. Note that any charge flowing while B[0] is 1 is not measured and the charge information below 1LSB of the accumulated charge register is lost.

### Alert/Charge Complete Configuration B[2:1]

The AL/CC pin is a dual function pin configured by the control register. By setting bits B[2:1] to [10] (default) the AL/CC pin is configured as an alert pin following the SMBus protocol. In this alert mode the AL/CC pin is a digital output and is pulled low if one of the measured quantities exceeds its high or low threshold or if the an overflow/underflow occurs in the accumulated charge registers C and D. An alert response procedure started by the master resets the alert at the AL/CC pin. For further information see the Alert Response Protocol section.

Setting the control bits B[2:1] to [01] configures the AL/CC pin as a digital input. In this mode, a high input on the AL/CC pin communicates to the LTC2941-1 that the battery is full and the accumulated charge is set to its maximum value FFFFh. Coulomb counting starts when the AL/CC pin returns to low level.

If neither the alert nor the charge complete functionality is desired, bits B[2:1] should be set to [00]. The AL/CC pin is then disabled and should be tied to GND. Avoid setting B[2:1] to [11] as it enables the alert and the charge complete modes simultaneously.

### Choosing Coulomb Counter Prescaler 'M' B[5:3]

To use as much of the range of the accumulated charge register as possible the prescaler factor M is chosen based on battery capacity Q<sub>BAT</sub>:

$$M \geq 128 \cdot \frac{Q_{\text{BAT}}}{2^{16} \cdot 0.085\text{mAh}} = \frac{23}{\text{Ah}} \cdot Q_{\text{BAT}}$$

M can be set to 1, 2, 4, 8, ... 128 by programming B[5:3] of the control register as  $M = 2^{(4 \cdot B[5] + 2 \cdot B[4] + B[3])}$ .

## APPLICATIONS INFORMATION

The default value after power up is  $M = 128 = 2^7$  ( $B[5:3] = 111$ ). The maximum battery capacity supported within the prescaler range is 5.5Ah with  $M = 128$ . See the section Extending Coulomb Counter Range if battery capacity is higher.

Depending on the choice of prescaler factor  $M$ , the charge LSB of the accumulated charge register becomes:

$$q_{\text{LSB}} = 0.085\text{mAh} \cdot \frac{M}{128}$$

Note that the internal digital resolution of the coulomb counter is higher than indicated by  $q_{\text{LSB}}$ . The internal charge resolution is typically 299 $\mu$ As.

### $V_{\text{BAT}}$ Alert B[7:6]

The  $V_{\text{BAT}}$  alert function allows the LTC2941-1 to monitor the voltage at  $\text{SENSE}^-$ . If enabled, a drop of the voltage at the  $\text{SENSE}^-$  pin below a preset threshold is detected and bit A[1] in the status register is set. If the alert mode is enabled by setting B[2] to one, an alert is generated at the  $\overline{\text{AL/CC}}$  pin. The threshold for the  $V_{\text{BAT}}$  alert function is selectable according to Table 3.

Battery voltage is measured at the internal bond pads connected to  $\text{SENSE}^-$ , hence, the current flowing through the combined pin and bond wire slightly shifts the battery alert threshold levels. For the full-scale current of  $\pm 1\text{A}$  at room temperature, this shift is typically  $\pm 9\text{mV}$ , which can be ignored for most applications. The  $V_{\text{BAT}}$  alert thresholds are specified with zero current through the sense resistor.

### Accumulated Charge Register (C,D)

The coulomb counter of the LTC2941-1 integrates current through its internal sense resistor over time. The result of this charge integration is stored in the 16-bit accumulated charge register (registers C, D). The amount of charge for a given register contents ( $C[7:0]D[7:0]$ ) and prescaler setting  $M$  can be calculated by:

$$Q = 0.085\text{mAh} \cdot \frac{M}{128} \cdot (C \cdot 256 + D)$$

The ACR should be read in a single I<sup>2</sup>C Read transaction (see Figure 8). If C and D are read in individual single-byte

transactions, each with a STOP condition, the register may change between the first and the second transaction due to coulomb count events, causing erroneous charge readings.

As the LTC2941-1 does not know the actual battery status at power-up, the accumulated charge register (ACR) is set to mid-scale (7FFFh). If the host knows the status of the battery, the accumulated charge ( $C[7:0]D[7:0]$ ) can be either programmed to the correct value via I<sup>2</sup>C or it can be set after charging to FFFFh (full) by pulling the  $\overline{\text{AL/CC}}$  pin high if charge complete mode is enabled via bits B[2:1]. In this case, FFFFh represents a fully charged battery. If the actual battery capacity is smaller, the host can subtract the excess charge whenever doing the charge calculation, and set the low charge threshold (registers G, H) to the value representing an empty battery. This procedure essentially shifts the zero point of the scale upwards. Before writing the accumulated charge registers, the analog section should be shut down by setting B[0] to 1.

### Threshold Registers (E, F), (G, H)

For battery charge, the LTC2941-1 features a high and a low threshold register. At power-up the high threshold is set to FFFFh while the low threshold is set to 0000h. Both thresholds can be programmed to a desired value via I<sup>2</sup>C. As soon as the accumulated charge exceeds the high threshold or falls below the low threshold, the LTC2941-1 sets the corresponding flag in the status register and pulls the  $\overline{\text{AL/CC}}$  pin low if alert mode is enabled.

### I<sup>2</sup>C Protocol

The LTC2941-1 uses an I<sup>2</sup>C/SMBus compatible 2-wire open-drain interface supporting multiple devices and masters on a single bus. The connected devices can only pull the bus wires low and they never drive the bus high. The bus wires should be externally connected to a positive supply voltage via a current source or pull-up resistor. When the bus is idle, both SDA and SCL are high. Data on the I<sup>2</sup>C-bus can be transferred at rates of up to 100kbit/s in standard mode and up to 400kbit/s in fast mode.

Each device on the I<sup>2</sup>C/SMBus is recognized by a unique address stored in that device and can operate as either a transmitter or receiver, depending on the function of the

## APPLICATIONS INFORMATION

device. In addition to transmitters and receivers, devices can also be classified as masters or slaves when performing data transfers. A master is the device which initiates a data transfer on the bus and generates the clock signals to permit that transfer. At the same time any device addressed is considered a slave. The LTC2941-1 always acts as a slave. Figure 4 shows an overview of the data transmission on the I<sup>2</sup>C bus.

### Start and Stop Conditions

When the bus is idle, both SCL and SDA must be high. A bus master signals the beginning of a transmission with a START condition by transitioning SDA from high to low while SCL is high. When the master has finished communicating with the slave, it issues a STOP condition by transitioning SDA from low to high while SCL is high. The bus is then free for another transmission. When the bus is in use, it stays busy if a repeated START (Sr) is generated instead of a STOP condition. The repeated START (Sr) conditions are functionally identical to the START (S).

### Data Transmission

After a START condition, the I<sup>2</sup>C bus is considered busy and data transfer begins between a master and a slave. As data is transferred over I<sup>2</sup>C in groups of nine bits (eight data bits followed by an acknowledge bit), each group takes nine SCL cycles. The transmitter releases the SDA line during the acknowledge clock pulse and the receiver issues an acknowledge (ACK) by pulling SDA low or leaves SDA high to indicate a not-acknowledge (NAK) condition. Change of data state can only happen while SCL is low.

### Write Protocol

The master begins communication with a START condition followed by the seven bit slave **address 1100100** and the R/W bit set to zero, as shown in Figure 5. The LTC2941-1 acknowledges this by pulling SDA low and then the master sends a command byte which indicates which internal register the master is to write. The LTC2941-1 acknowledges and then latches the command byte into its internal register address pointer. The master delivers the data byte, the LTC2941-1 acknowledges once more and latches the data into the desired register. The transmission

is ended when the master sends a STOP condition. If the master continues by sending a second data byte instead of a stop, the LTC2941-1 acknowledges again, increments its address pointer and latches the second data byte in the following register, as shown in Figure 6.

### Read Protocol

The master begins a read operation with a START condition followed by the seven bit slave **address 1100100** and the R/W bit set to zero, as shown in Figure 7. The LTC2941-1 acknowledges and then the master sends a command byte which indicates which internal register the master is to read. The LTC2941-1 acknowledges and then latches the command byte into its internal register address pointer. The master then sends a repeated START condition followed by the same seven bit address with the R/W bit now set to one. The LTC2941-1 acknowledges and sends the contents of the requested register. The transmission is ended when the master sends a STOP condition. If the master acknowledges the transmitted data byte, the LTC2941-1 increments its address pointer and sends the contents of the following register as shown in Figure 8.

### Alert Response Protocol

In a system where several slaves share a common interrupt line, the master can use the alert response address (ARA) to determine which device initiated the interrupt (Figure 9).

The master initiates the ARA procedure with a START condition and the special **7-bit ARA bus address (0001100)** followed by the read bit (R) = 1. If the LTC2941-1 is asserting the  $\overline{\text{AL/CC}}$  pin in alert mode, it acknowledges and responds by sending its **7-bit bus address (1100100)** and a 1. While it is sending its address, it monitors the SDA pin to see if another device is sending an address at the same time using standard I<sup>2</sup>C bus arbitration. If the LTC2941-1 is sending a 1 and reads a 0 on the SDA pin on the rising edge of SCL, it assumes another device with a lower address is sending and the LTC2941-1 immediately aborts its transfer and waits for the next ARA cycle to try again. If transfer is successfully completed, the LTC2941-1 will stop pulling down the  $\overline{\text{AL/CC}}$  pin and will not respond to further ARA requests until a new alert event occurs.



## APPLICATIONS INFORMATION

### Internal Sense Resistor

The internal sense resistor uses proprietary\* temperature compensation techniques to reduce the effective temperature coefficient to less than  $\pm 50\text{ppm/K}$  typically. The effective sense resistance as seen by the coulomb counter is factory trimmed to  $50\text{m}\Omega$ . Both measures, and the lack of thermocouple effects in the sense resistor connections, contribute to the LTC2941-1's superior charge measurement accuracy compared to competing solutions employing a common 1% tolerance,  $50\text{ppm/K}$  tempco discrete current sense resistor.

Like all sense resistors, the integrated sense resistor in the LTC2941-1 will exhibit minor long-term resistance shift. The resistance typically drops less than  $-0.1\%$  per 1000h at 1A current and  $85^\circ\text{C}$  ambient temperature; this outperforms most types of discrete sense resistors except those of the *very high* and *ultrahigh* stability variety. See the Typical Performance Characteristics for expected resistor drift performance under worst-case conditions. Drift will be much slower at lower temperatures. Contact LTC applications for more information.

For most coulomb counter applications this aging behavior of the integrated sense resistor is insignificant compared to the change of battery capacity due to battery aging. The LTC2941-1 is factory trimmed to optimum accuracy when new; for applications which require the best possible coulomb count accuracy over the full product lifetime, the coulomb counter gain can be adjusted in software. For instance, if the error contribution of sense resistor drift must be limited to  $\pm 1\%$ , coulomb counts may be biased high by 1% (use factor 1.01), and maximum operational temperature and current then must be derated such that sense resistor drift over product lifetime or calibration intervals is less than  $-2\%$ .

Applications employing the standard external resistor LTC2941 with an external  $50\text{m}\Omega$  sense resistor may be upgraded to the pin compatible LTC2941-1 by removing the external sense resistor.

### Voltage Drop Between SENSE+ and SENSE-

The LTC2941-1 is trimmed for an effective internal resistance of  $50\text{m}\Omega$ , but the total pin-to-pin resistance ( $R_{PP}$ ), consisting of the sense resistor in series with pin and bond

wire resistances, is somewhat higher. Assuming a sense resistor temperature coefficient of about  $3900\text{ppm/K}$ , the total resistance between SENSE+ and SENSE- at a temperature,  $T$ , is typically:

$$R_{PP}(T) = R_{PP}(T_{NOM}) [1 + 0.0039(T - T_{NOM})]$$

where  $T_{NOM} = 27^\circ\text{C}$  (or 300K) and  $R_{PP}(T_{NOM})$  is from the Electrical Characteristics table. This means that the resistance between SENSE+ and SENSE- may drop by 26% if die temperature changes from  $27^\circ\text{C}$  to  $-40^\circ\text{C}$  or increase by 23% for a  $27^\circ\text{C}$  to  $85^\circ\text{C}$  die temperature change. Ensure that total voltage drop between SENSE+ and SENSE-, caused by maximum peak current flowing in/out of SENSE- :

$$V_{DROD} = I_{PEAK} \cdot R_{PP}(T_{DIE(MAX)})$$

does not exceed the application's requirements .

### Limiting Inrush Current

Inrush currents during events like battery insertion or closure of a mechanical power switch may be substantially higher than peak currents during normal operation. Extremely large inrush currents may require additional circuitry to keep currents through the LTC2941-1 sense resistor below the absolute maximum ratings.

Note that external Schottky clamp diodes between SENSE+ and SENSE- can leak significantly, especially at high temperature, which can cause significant coulomb counter errors. Preferred solutions to limit inrush current include active Hot Swap™ current limiting or connector designs that include current limiting resistance and staggered pins to ensure a low impedance connection when the connector is fully mated.

### Power Dissipation

Power dissipation in the  $R_{PP}$  resistance when operated at high currents can increase the die temperature several degrees over ambient. Soldering the exposed pad of the DFN package to a large copper region on the PCB is recommended for applications operating close to the specified maximum current and ambient temperature. Die temperature at a given  $I_{SENSE}$  can be estimated by:

$$T_{DIE} = T_{AMB} + 1.22 \cdot \theta_{JA} \cdot R_{PP(MAX)} \cdot I_{SENSE}^2$$

\*Patent pending.



## APPLICATIONS INFORMATION

where the factor 1.22 approximates the effect of sense resistor self-heating,  $R_{PP(MAX)}$  is the maximum pad-to-pad resistance at nominal temperature (27°C) and  $\theta_{JA}$  is the thermal resistance from junction to ambient. The  $\theta_{JA}$  data given for the DFN package is valid for typical PCB layouts; more precise  $\theta_{JA}$  data for a particular PCB layout may be obtained by measuring the voltage  $V_{P-P}$  between SENSE<sup>+</sup> and SENSE<sup>-</sup>, the ambient temperature  $T_{AMB}$ , and the die temperature  $T_{DIE}$ , and calculating:

$$\theta_{JA} = \frac{T_{DIE} - T_{AMB}}{V_{P-P} \cdot I_{SENSE}}$$

For evaluation of printed circuit board layouts during development, both  $T_{AMB}$  and  $T_{DIE}$  temperature may be measured using a pin compatible LTC2942-1 internal temperature sensor.  $I_{SENSE}$  should be set to zero to measure  $T_{AMB}$ , and high enough during  $T_{DIE}$  measurement to achieve a significant temperature increase over  $T_{AMB}$ .

### Measuring Current

In some applications, it may be desirable to measure the current  $I_{SENSE}$  flowing through the internal sense resistor. Since charge measured by the coulomb counter is the time integral over  $I_{SENSE}$ , differentiation of the contents of the accumulated charge register (ACR) over time may be used to measure average current.

Accuracy of such an indirect current measurement is limited by the basic accuracy of the coulomb counter, the accuracy of the timebase within the host system, quantization caused by the prescaler setting, and time delays caused by I<sup>2</sup>C transactions. Still, especially at higher currents, useful results may be obtained by reading the accumulated charge register twice, with a defined time interval in between, and dividing the charge difference by the time interval. The time interval may be increased at low currents to limit time

quantization errors to the desired accuracy. For quicker current measurement at low currents, prescale factor M may be temporarily decreased, sacrificing some coulomb count accuracy for higher current resolution.

### Extending Coulomb Counter Range

To increase the range of the coulomb counter for battery capacities higher than 5.5Ah, the host controller can either regularly poll the accumulated charge register (ACR) or use the threshold registers to determine when the accumulated charge register approaches the minimum or maximum limits. At this point it can add or subtract a fixed charge quantity and rewrite the result into the ACR. The added or subtracted charge quantities can then be tracked in software, increasing the effective ACR range.

### PC Board Layout Recommendations

Keep all traces as short as possible to minimize noise and inaccuracy. Use wider traces from the resistor to the battery, load and/or charger (see Figure 10). Put the bypass capacitor close to SENSE<sup>+</sup> and GND. Provide adequate copper area on exposed pad for heat sinking.

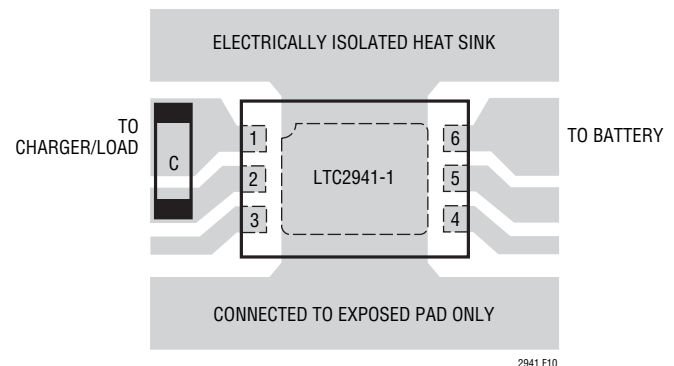
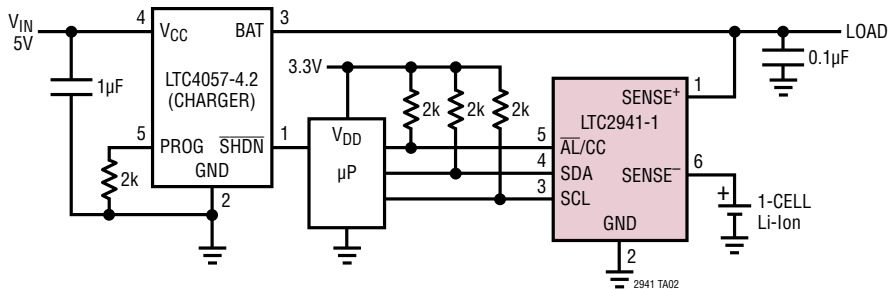


Figure 10. Recommended Layout



## TYPICAL APPLICATION

Single Cell Lithium-Ion Coulomb Counter with Battery Charger for Discharge Currents of up to 1A



## RELATED PARTS

| PART NUMBER               | DESCRIPTION   | COMMENTS   |
|---------------------------|---|--|
| <b>Battery Gas Gauges</b> |   |  |
| LTC2941                   | Battery Gas Gauge with I <sup>2</sup> C Interface   | Pin Compatible with LTC2942  |
| LTC2942                   | Battery Gas Gauge with I <sup>2</sup> C Interface, Voltage and Temperature Measurement                                    | 14-Bit $\Delta\Sigma$ ADC, Pin Compatible with LTC2941   |
| LTC2942-1                 | Battery Gas Gauge with I <sup>2</sup> C Interface and Voltage and Temperature ADC; Integrated 50m $\Omega$ Sense Resistor | 14-Bit $\Delta\Sigma$ ADC, Pin Compatible with LTC2941-1   |
| LTC4150                   | Coulomb Counter/Battery Gas Gauge   | 2.7V to 8.5V Operation, 10-Pin MSOP Package  |
| <b>Battery Chargers</b>   |   |  |
| LTC1734                   | Lithium-Ion Battery Charger in ThinSOT™   | Simple ThinSOT Charger, No Blocking Diode, No Sense Resistor Needed  |
| LTC4002                   | Switch Mode Lithium-Ion Battery Charger   | Standalone, 4.7V $\leq$ V <sub>IN</sub> $\leq$ 24V, 500kHz Frequency   |
| LTC4052                   | Monolithic Lithium-Ion Battery Pulse Charger  | No Blocking Diode or External Power FET Required, $\leq$ 1.5A Charge Current   |
| LTC4053                   | USB Compatible Monolithic Li-Ion Battery Charger  | Standalone Charger with Programmable Timer, Up to 1.25A Charge Current   |
| LTC4057                   | Lithium-Ion Linear Battery Charger  | Up to 800mA Charge Current, Thermal Regulation, ThinSOT Package  |
| LTC4058                   | Standalone 950mA Lithium-Ion Charger in DFN   | C/10 Charge Termination, Battery Kelvin Sensing, $\pm$ 7% Charge Accuracy  |
| LTC4059                   | 900mA Linear Lithium-Ion Battery Charger  | 2mm $\times$ 2mm DFN Package, Thermal Regulation, Charge Current Monitor Output  |
| LTC4061                   | Standalone Linear Li-Ion Battery Charger with Thermistor Input  | 4.2V, $\pm$ 0.35% Float Voltage, Up to 1A Charge Current, 3mm $\times$ 3mm DFN Package   |
| LTC4063                   | Li-Ion Charger with Linear Regulator  | Up to 1A Charge Current, 100mA, 125mV LDO, 3mm $\times$ 3mm DFN Package  |
| LTC4080                   | 500mA Standalone Li-Ion Charger with Integrated 300mA Synchronous Buck  | 3mm $\times$ 3mm DFN Package, Low External Component Count, Especially Suitable for Portable Applications  |
| LTC4088                   | High Efficiency Battery Charger/USB Power Manager   | Maximizes Available Power from USB Port, Bat-Track™, Instant-On Operation, 1.5A Max Charge Current, 180m $\Omega$ Ideal Diode with $<$ 50m $\Omega$ Option, 3.3V/25mA Always-On LDO, 4mm $\times$ 3mm DFN-14 Package |



Компания «Океан Электроники» предлагает заключение долгосрочных отношений при поставках импортных электронных компонентов на взаимовыгодных условиях!

Наши преимущества:

- Поставка оригинальных импортных электронных компонентов напрямую с производств Америки, Европы и Азии, а так же с крупнейших складов мира;
- Широкая линейка поставок активных и пассивных импортных электронных компонентов (более 30 млн. наименований);
- Поставка сложных, дефицитных, либо снятых с производства позиций;
- Оперативные сроки поставки под заказ (от 5 рабочих дней);
- Экспресс доставка в любую точку России;
- Помощь Конструкторского Отдела и консультации квалифицированных инженеров;
- Техническая поддержка проекта, помощь в подборе аналогов, поставка прототипов;
- Поставка электронных компонентов под контролем ВП;
- Система менеджмента качества сертифицирована по Международному стандарту ISO 9001;
- При необходимости вся продукция военного и аэрокосмического назначения проходит испытания и сертификацию в лаборатории (по согласованию с заказчиком);
- Поставка специализированных компонентов военного и аэрокосмического уровня качества (Xilinx, Altera, Analog Devices, Intersil, Interpoint, Microsemi, Actel, Aeroflex, Peregrine, VPT, Syfer, Eurofarad, Texas Instruments, MS Kennedy, Miteq, Cobham, E2V, MA-COM, Hittite, Mini-Circuits, General Dynamics и др.);

Компания «Океан Электроники» является официальным дистрибьютором и эксклюзивным представителем в России одного из крупнейших производителей разъемов военного и аэрокосмического назначения «JONHON», а так же официальным дистрибьютором и эксклюзивным представителем в России производителя высокотехнологичных и надежных решений для передачи СВЧ сигналов «FORSTAR».



## JONHON

«JONHON» (основан в 1970 г.)

Разъемы специального, военного и аэрокосмического назначения:

(Применяются в военной, авиационной, аэрокосмической, морской, железнодорожной, горно- и нефтедобывающей отраслях промышленности)

«FORSTAR» (основан в 1998 г.)

ВЧ соединители, коаксиальные кабели,  
кабельные сборки и микроволновые компоненты:

(Применяются в телекоммуникациях гражданского и специального назначения, в средствах связи, РЛС, а так же военной, авиационной и аэрокосмической отраслях промышленности).



Телефон: 8 (812) 309-75-97 (многоканальный)

Факс: 8 (812) 320-03-32

Электронная почта: [ocean@oceanchips.ru](mailto:ocean@oceanchips.ru)

Web: <http://oceanchips.ru/>

Адрес: 198099, г. Санкт-Петербург, ул. Калинина, д. 2, корп. 4, лит. А