

FEATURES

- Compact TSOT packages**
- Low temperature coefficient**
 - B grade: 9 ppm/°C**
 - A grade: 25 ppm/°C**
- Initial accuracy**
 - B grade: ±3 mV maximum**
 - A grade: ±6 mV maximum**
- Ultralow output noise: 6.8 μV p-p (0.1 Hz to 10 Hz)**
- Low dropout: 300 mV**
- Low supply current: 190 μA maximum**
- No external capacitor required**
- Output current: +5 mA/−1 mA**
- Wide temperature range: −40°C to +125°C**
- Qualified for automotive applications**

APPLICATIONS

- Battery-powered instruments**
- Portable medical instruments**
- Data acquisition systems**
- Industrial process controls**
- Automotive**

GENERAL DESCRIPTION

The ADR360/ADR361/ADR363/ADR364/ADR365/ADR366 are precision 2.048 V, 2.5 V, 3.0 V, 4.096 V, 5.0 V, and 3.3 V band gap voltage references that offer low power and high precision in tiny footprints. Using patented temperature drift curvature correction techniques from Analog Devices, Inc., the ADR36x references achieve a low temperature drift of 9 ppm/°C in a TSOT package.

The ADR36x family of micropower, low dropout voltage references provides a stable output voltage from a minimum

PIN CONFIGURATION

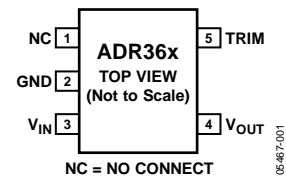


Figure 1. 5-Lead TSOT (UJ)

Table 1. ADR36x Family of Devices

| Model | V _{OUT} (V) ¹ | Temperature Coefficient (ppm/°C) | Accuracy (mV) |
|---------|-----------------------------------|----------------------------------|---------------|
| ADR360B | 2.048 | 9 | ±3 |
| ADR360A | 2.048 | 25 | ±6 |
| ADR361B | 2.5 | 9 | ±3 |
| ADR361A | 2.5 | 25 | ±6 |
| ADR363B | 3.0 | 9 | ±3 |
| ADR363A | 3.0 | 25 | ±6 |
| ADR364B | 4.096 | 9 | ±4 |
| ADR364A | 4.096 | 25 | ±8 |
| ADR365B | 5.0 | 9 | ±4 |
| ADR365A | 5.0 | 25 | ±8 |
| ADR366B | 3.3 | 9 | ±4 |
| ADR366A | 3.3 | 25 | ±8 |

¹ Contact Analog Devices for other voltage options.

supply of 300 mV above the output. Their advanced design eliminates the need for external capacitors, which further reduces board space and system cost. The combination of low power operation, small size, and ease of use makes the ADR36x precision voltage references ideally suited for battery-operated applications.

See the Ordering Guide for automotive grades.

Rev. D

Information furnished by Analog Devices is believed to be accurate and reliable. However, no responsibility is assumed by Analog Devices for its use, nor for any infringements of patents or other rights of third parties that may result from its use. Specifications subject to change without notice. No license is granted by implication or otherwise under any patent or patent rights of Analog Devices. Trademarks and registered trademarks are the property of their respective owners.

TABLE OF CONTENTS

| | | | |
|--|---|--|----|
| Features | 1 | Thermal Resistance | 9 |
| Applications..... | 1 | ESD Caution..... | 9 |
| Pin Configuration..... | 1 | Typical Performance Characteristics | 10 |
| General Description | 1 | Terminology | 15 |
| Revision History | 2 | Theory of Operation | 16 |
| Specifications..... | 3 | Device Power Dissipation Considerations..... | 16 |
| ADR360 Electrical Characteristics..... | 3 | Input Capacitor..... | 16 |
| ADR361 Electrical Characteristics..... | 4 | Output Capacitor..... | 16 |
| ADR363 Electrical Characteristics..... | 5 | Applications Information | 17 |
| ADR364 Electrical Characteristics..... | 6 | Basic Voltage Reference Connection | 17 |
| ADR365 Electrical Characteristics..... | 7 | Outline Dimensions | 19 |
| ADR366 Electrical Characteristics..... | 8 | Ordering Guide | 20 |
| Absolute Maximum Ratings..... | 9 | Automotive Products..... | 20 |

REVISION HISTORY

10/10—Rev. C to Rev. D

| | |
|--|----|
| Changes to Features Section and General Description Section . | 1 |
| Changed Supply Voltage Headroom to Dropout Voltage Throughout | 3 |
| Changed 0.1 Hz to 10 Hz to $f = 0.1 \text{ Hz to } 10 \text{ Hz}$ Throughout.... | 3 |
| Change to Table 8 | 9 |
| Changes to Figure 13..... | 11 |
| Changes to Figure 14..... | 12 |
| Changes to Ordering Guide | 20 |
| Added Automotive Products Section | 20 |

7/07—Rev. B to Rev. C

| | |
|---|---|
| Changes to Ripple Rejection Ratio in Table 2..... | 3 |
| Changes to Ripple Rejection Ratio in Table 3..... | 4 |
| Changes to Ripple Rejection Ratio in Table 4..... | 5 |
| Changes to Ripple Rejection Ratio in Table 5..... | 6 |
| Changes to Ripple Rejection Ratio in Table 6..... | 7 |
| Changes to Ripple Rejection Ratio in Table 7..... | 8 |

2/07—Rev. A to Rev. B

| | |
|--|----|
| Changes to Table 7..... | 8 |
| Changes to Figure 6..... | 11 |
| Changes to Figure 13, Figure 14, Figure 17, and Figure 27 Captions | 12 |
| Changes to Ordering Guide | 19 |

3/06—Rev. 0 to Rev. A

| | |
|---|----|
| Changes to Figure 15 Caption | 13 |
| Changes to Figure 21 Caption | 14 |
| Changes to Theory of Operation Section..... | 16 |
| Changes to Figure 36..... | 18 |

4/05—Revision 0: Initial Version

SPECIFICATIONS

ADR360 ELECTRICAL CHARACTERISTICS

$V_{IN} = 2.35\text{ V to }15\text{ V}$, $T_A = 25^\circ\text{C}$, unless otherwise noted.

Table 2.

| Parameter | Symbol | Conditions | Min | Typ | Max | Unit |
|----------------------------------|----------------------------------|---|-------|-------|------------|-----------------------|
| OUTPUT VOLTAGE | V_{OUT} | A grade | 2.042 | 2.048 | 2.054 | V |
| | | B grade | 2.045 | 2.048 | 2.051 | V |
| INITIAL ACCURACY | V_{OUTERR} | A grade | | | ± 6 | mV |
| | | A grade | | | ± 0.29 | % |
| | | B grade | | | ± 3 | mV |
| | | B grade | | | ± 0.15 | % |
| TEMPERATURE COEFFICIENT | TCV_{OUT} | A grade, $-40^\circ\text{C} < T_A < +125^\circ\text{C}$ | | | 25 | ppm/ $^\circ\text{C}$ |
| | | B grade, $-40^\circ\text{C} < T_A < +125^\circ\text{C}$ | | | 9 | ppm/ $^\circ\text{C}$ |
| DROPOUT VOLTAGE | $V_{IN} - V_{OUT}$ | | 300 | | | mV |
| LINE REGULATION | $\Delta V_{OUT}/\Delta V_{IN}$ | $V_{IN} = 2.45\text{ V to }15\text{ V}$, $-40^\circ\text{C} < T_A < +125^\circ\text{C}$ | | | 0.105 | mV/V |
| LOAD REGULATION | $\Delta V_{OUT}/\Delta I_{LOAD}$ | $I_{LOAD} = 0\text{ mA to }5\text{ mA}$, $-40^\circ\text{C} < T_A < +125^\circ\text{C}$, $V_{IN} = 3\text{ V}$ | | | 0.37 | mV/mA |
| | | $I_{LOAD} = -1\text{ mA to }0\text{ mA}$, $-40^\circ\text{C} < T_A < +125^\circ\text{C}$, $V_{IN} = 3\text{ V}$ | | | 0.82 | mV/mA |
| QUIESCENT CURRENT | I_{IN} | $-40^\circ\text{C} < T_A < +125^\circ\text{C}$ | | 150 | 190 | μA |
| VOLTAGE NOISE | $e_{N\text{ p-p}}$ | $f = 0.1\text{ Hz to }10\text{ Hz}$ | | 6.8 | | $\mu\text{V p-p}$ |
| TURN-ON SETTLING TIME | t_R | | | 25 | | μs |
| LONG-TERM STABILITY ¹ | ΔV_{OUT} | 1000 hours | | 50 | | ppm |
| OUTPUT VOLTAGE HYSTERESIS | ΔV_{OUT_HYS} | | | 100 | | ppm |
| RIPPLE REJECTION RATIO | RRR | $f_{IN} = 60\text{ Hz}$ | | -70 | | dB |
| SHORT CIRCUIT TO GND | I_{SC} | $V_{IN} = 5\text{ V}$ | | 25 | | mA |
| | | $V_{IN} = 15\text{ V}$ | | 30 | | mA |

¹ The long-term stability specification is noncumulative. The drift after the first 1000 hours is significantly lower than it is in the first 1000 hours.

ADR360/ADR361/ADR363/ADR364/ADR365/ADR366

ADR361 ELECTRICAL CHARACTERISTICS

$V_{IN} = 2.8\text{ V to }15\text{ V}$, $T_A = 25^\circ\text{C}$, unless otherwise noted.

Table 3.

| Parameter | Symbol | Conditions | Min | Typ | Max | Unit |
|----------------------------------|----------------------------------|---|-------|-------|------------|-----------------------|
| OUTPUT VOLTAGE | V_{OUT} | A grade | 2.494 | 2.500 | 2.506 | V |
| | | B grade | 2.497 | 2.500 | 2.503 | V |
| INITIAL ACCURACY | V_{OUTERR} | A grade | | | ± 6 | mV |
| | | A grade | | | ± 0.24 | % |
| | | B grade | | | ± 3 | mV |
| | | B grade | | | ± 0.12 | % |
| TEMPERATURE COEFFICIENT | TCV_{OUT} | A grade, $-40^\circ\text{C} < T_A < +125^\circ\text{C}$ | | | 25 | ppm/ $^\circ\text{C}$ |
| | | B grade, $-40^\circ\text{C} < T_A < +125^\circ\text{C}$ | | | 9 | ppm/ $^\circ\text{C}$ |
| DROPOUT VOLTAGE | $V_{IN} - V_{OUT}$ | | 300 | | | mV |
| LINE REGULATION | $\Delta V_{OUT}/\Delta V_{IN}$ | $V_{IN} = 2.8\text{ V to }15\text{ V}$, $-40^\circ\text{C} < T_A < +125^\circ\text{C}$ | | | 0.125 | mV/V |
| LOAD REGULATION | $\Delta V_{OUT}/\Delta I_{LOAD}$ | $I_{LOAD} = 0\text{ mA to }5\text{ mA}$, $-40^\circ\text{C} < T_A < +125^\circ\text{C}$, $V_{IN} = 3.5\text{ V}$ | | | 0.45 | mV/mA |
| | | $I_{LOAD} = -1\text{ mA to }0\text{ mA}$, $-40^\circ\text{C} < T_A < +125^\circ\text{C}$, $V_{IN} = 3.5\text{ V}$ | | | 1 | mV/mA |
| QUIESCENT CURRENT | I_{IN} | $-40^\circ\text{C} < T_A < +125^\circ\text{C}$ | | 150 | 190 | μA |
| VOLTAGE NOISE | $e_{N\text{ p-p}}$ | $f = 0.1\text{ Hz to }10\text{ Hz}$ | | 8.25 | | $\mu\text{V p-p}$ |
| TURN-ON SETTLING TIME | t_R | | | 25 | | μs |
| LONG-TERM STABILITY ¹ | ΔV_{OUT} | 1000 hours | | 50 | | ppm |
| OUTPUT VOLTAGE HYSTERESIS | ΔV_{OUT_HYS} | | | 100 | | ppm |
| RIPPLE REJECTION RATIO | RRR | $f_{IN} = 60\text{ Hz}$ | | -70 | | dB |
| SHORT CIRCUIT TO GND | I_{SC} | $V_{IN} = 5\text{ V}$ | | 25 | | mA |
| | | $V_{IN} = 15\text{ V}$ | | 30 | | mA |

¹ The long-term stability specification is noncumulative. The drift after the first 1000 hours is significantly lower than it is in the first 1000 hours.

ADR363 ELECTRICAL CHARACTERISTICS

$V_{IN} = 3.3\text{ V to }15\text{ V}$, $T_A = 25^\circ\text{C}$, unless otherwise noted.

Table 4.

| Parameter | Symbol | Conditions | Min | Typ | Max | Unit |
|----------------------------------|----------------------------------|---|-------|-------|-----------|-----------------------|
| OUTPUT VOLTAGE | V_{OUT} | A grade | 2.994 | 3.000 | 3.006 | V |
| | | B grade | 2.997 | 3.000 | 3.003 | V |
| INITIAL ACCURACY | V_{OUTERR} | A grade | | | ± 6 | mV |
| | | A grade | | | ± 0.2 | % |
| | | B grade | | | ± 3 | mV |
| | | B grade | | | ± 0.1 | % |
| TEMPERATURE COEFFICIENT | TCV_{OUT} | A grade, $-40^\circ\text{C} < T_A < +125^\circ\text{C}$ | | | 25 | ppm/ $^\circ\text{C}$ |
| | | B grade, $-40^\circ\text{C} < T_A < +125^\circ\text{C}$ | | | 9 | ppm/ $^\circ\text{C}$ |
| DROPOUT VOLTAGE | $V_{IN} - V_{OUT}$ | | 300 | | | mV |
| LINE REGULATION | $\Delta V_{OUT}/\Delta V_{IN}$ | $V_{IN} = 3.3\text{ V to }15\text{ V}$, $-40^\circ\text{C} < T_A < +125^\circ\text{C}$ | | | 0.15 | mV/V |
| LOAD REGULATION | $\Delta V_{OUT}/\Delta I_{LOAD}$ | $I_{LOAD} = 0\text{ mA to }5\text{ mA}$, $-40^\circ\text{C} < T_A < +125^\circ\text{C}$, $V_{IN} = 4\text{ V}$ | | | 0.54 | mV/mA |
| | | $I_{LOAD} = -1\text{ mA to }0\text{ mA}$, $-40^\circ\text{C} < T_A < +125^\circ\text{C}$, $V_{IN} = 4\text{ V}$ | | | 1.2 | mV/mA |
| QUIESCENT CURRENT | I_{IN} | $-40^\circ\text{C} < T_A < +125^\circ\text{C}$ | | 150 | 190 | μA |
| VOLTAGE NOISE | $e_{N\text{ p-p}}$ | $f = 0.1\text{ Hz to }10\text{ Hz}$ | | 8.7 | | $\mu\text{V p-p}$ |
| TURN-ON SETTLING TIME | t_R | | | 25 | | μs |
| LONG-TERM STABILITY ¹ | ΔV_{OUT} | 1000 hours | | 50 | | ppm |
| OUTPUT VOLTAGE HYSTERESIS | ΔV_{OUT_HYS} | | | 100 | | ppm |
| RIPPLE REJECTION RATIO | RRR | $f_{IN} = 60\text{ Hz}$ | | -70 | | dB |
| SHORT CIRCUIT TO GND | I_{SC} | $V_{IN} = 5\text{ V}$ | | 25 | | mA |
| | | $V_{IN} = 15\text{ V}$ | | 30 | | mA |

¹ The long-term stability specification is noncumulative. The drift after the first 1000 hours is significantly lower than it is in the first 1000 hours.

ADR360/ADR361/ADR363/ADR364/ADR365/ADR366

ADR364 ELECTRICAL CHARACTERISTICS

$V_{IN} = 4.4 \text{ V}$ to 15 V , $T_A = 25^\circ\text{C}$, unless otherwise noted.

Table 5.

| Parameter | Symbol | Conditions | Min | Typ | Max | Unit |
|----------------------------------|----------------------------------|--|-------|-------|-----------|-----------------------|
| OUTPUT VOLTAGE | V_{OUT} | A grade | 4.088 | 4.096 | 4.104 | V |
| | | B grade | 4.092 | 4.096 | 4.100 | V |
| INITIAL ACCURACY | V_{OUTERR} | A grade | | | ± 8 | mV |
| | | A grade | | | ± 0.2 | % |
| | | B grade | | | ± 4 | mV |
| | | B grade | | | ± 0.1 | % |
| TEMPERATURE COEFFICIENT | TCV_{OUT} | A grade, $-40^\circ\text{C} < T_A < +125^\circ\text{C}$ | | | 25 | ppm/ $^\circ\text{C}$ |
| | | B grade, $-40^\circ\text{C} < T_A < +125^\circ\text{C}$ | | | 9 | ppm/ $^\circ\text{C}$ |
| DROPOUT VOLTAGE | $V_{IN} - V_{OUT}$ | | 300 | | | mV |
| LINE REGULATION | $\Delta V_{OUT}/\Delta V_{IN}$ | $V_{IN} = 4.4 \text{ V}$ to 15 V , $-40^\circ\text{C} < T_A < +125^\circ\text{C}$ | | | 0.205 | mV/V |
| LOAD REGULATION | $\Delta V_{OUT}/\Delta I_{LOAD}$ | $I_{LOAD} = 0 \text{ mA}$ to 5 mA , $-40^\circ\text{C} < T_A < +125^\circ\text{C}$, $V_{IN} = 5 \text{ V}$ | | | 0.735 | mV/mA |
| | | $I_{LOAD} = -1 \text{ mA}$ to 0 mA , $-40^\circ\text{C} < T_A < +125^\circ\text{C}$, $V_{IN} = 5 \text{ V}$ | | | 1.75 | mV/mA |
| QUIESCENT CURRENT | I_{IN} | $-40^\circ\text{C} < T_A < +125^\circ\text{C}$ | | 150 | 190 | μA |
| VOLTAGE NOISE | $e_{N \text{ p-p}}$ | $f = 0.1 \text{ Hz}$ to 10 Hz | | 11 | | $\mu\text{V p-p}$ |
| TURN-ON SETTLING TIME | t_R | | | 25 | | μs |
| LONG-TERM STABILITY ¹ | ΔV_{OUT} | 1000 hours | | 50 | | ppm |
| OUTPUT VOLTAGE HYSTERESIS | ΔV_{OUT_HYS} | | | 100 | | ppm |
| RIPPLE REJECTION RATIO | RRR | $f_{IN} = 60 \text{ Hz}$ | | -70 | | dB |
| SHORT CIRCUIT TO GND | I_{SC} | $V_{IN} = 5 \text{ V}$ | | 25 | | mA |
| | | $V_{IN} = 15 \text{ V}$ | | 30 | | mA |

¹ The long-term stability specification is noncumulative. The drift after the first 1000 hours is significantly lower than it is in the first 1000 hours.

ADR365 ELECTRICAL CHARACTERISTICS

$V_{IN} = 5.3\text{ V to }15\text{ V}$, $T_A = 25^\circ\text{C}$, unless otherwise noted.

Table 6.

| Parameter | Symbol | Conditions | Min | Typ | Max | Unit |
|----------------------------------|----------------------------------|---|-------|-------|------------|-----------------------|
| OUTPUT VOLTAGE | V_{OUT} | A grade | 4.992 | 5.000 | 5.008 | V |
| | | B grade | 4.996 | 5.000 | 5.004 | V |
| INITIAL ACCURACY | V_{OUTERR} | A grade | | | ± 8 | mV |
| | | A grade | | | ± 0.16 | % |
| | | B grade | | | ± 4 | mV |
| | | B grade | | | ± 0.08 | % |
| TEMPERATURE COEFFICIENT | TCV_{OUT} | A grade, $-40^\circ\text{C} < T_A < +125^\circ\text{C}$ | | | 25 | ppm/ $^\circ\text{C}$ |
| | | B grade, $-40^\circ\text{C} < T_A < +125^\circ\text{C}$ | | | 9 | ppm/ $^\circ\text{C}$ |
| DROPOUT VOLTAGE | $V_{IN} - V_{OUT}$ | | 300 | | | mV |
| LINE REGULATION | $\Delta V_{OUT}/\Delta V_{IN}$ | $V_{IN} = 5.3\text{ V to }15\text{ V}$, $-40^\circ\text{C} < T_A < +125^\circ\text{C}$ | | | 0.25 | mV/V |
| LOAD REGULATION | $\Delta V_{OUT}/\Delta I_{LOAD}$ | $I_{LOAD} = 0\text{ mA to }5\text{ mA}$, $-40^\circ\text{C} < T_A < +125^\circ\text{C}$, $V_{IN} = 6\text{ V}$ | | | 0.9 | mV/mA |
| | | $I_{LOAD} = -1\text{ mA to }0\text{ mA}$, $-40^\circ\text{C} < T_A < +125^\circ\text{C}$, $V_{IN} = 6\text{ V}$ | | | 2 | mV/mA |
| QUIESCENT CURRENT | I_{IN} | $-40^\circ\text{C} < T_A < +125^\circ\text{C}$ | | 150 | 190 | μA |
| VOLTAGE NOISE | $e_{N\text{ p-p}}$ | $f = 0.1\text{ Hz to }10\text{ Hz}$ | | 12.8 | | $\mu\text{V p-p}$ |
| TURN-ON SETTLING TIME | t_R | | | 20 | | μs |
| LONG-TERM STABILITY ¹ | ΔV_{OUT} | 1000 hours | | 50 | | ppm |
| OUTPUT VOLTAGE HYSTERESIS | ΔV_{OUT_HYS} | | | 100 | | ppm |
| RIPPLE REJECTION RATIO | RRR | $f_{IN} = 60\text{ Hz}$ | | -70 | | dB |
| SHORT CIRCUIT TO GND | I_{SC} | $V_{IN} = 5\text{ V}$ | | 25 | | mA |
| | | $V_{IN} = 15\text{ V}$ | | 30 | | mA |

¹ The long-term stability specification is noncumulative. The drift after the first 1000 hours is significantly lower than it is in the first 1000 hours.

ADR360/ADR361/ADR363/ADR364/ADR365/ADR366

ADR366 ELECTRICAL CHARACTERISTICS

$V_{IN} = 3.6\text{ V to }15\text{ V}$, $T_A = 25^\circ\text{C}$, unless otherwise noted.

Table 7.

| Parameter | Symbol | Conditions | Min | Typ | Max | Unit |
|----------------------------------|----------------------------------|--|-------|-------|-------------|-----------------------|
| OUTPUT VOLTAGE | V_{OUT} | A grade | 3.292 | 3.300 | 3.308 | V |
| | | B grade | 3.296 | 3.300 | 3.304 | V |
| INITIAL ACCURACY | V_{OUTERR} | A grade | | | ± 8 | mV |
| | | A grade | | | ± 0.25 | % |
| | | B grade | | | ± 4 | mV |
| | | B grade | | | ± 0.125 | % |
| TEMPERATURE COEFFICIENT | TCV_{OUT} | A grade, $-40^\circ\text{C} < T_A < +125^\circ\text{C}$ | | | 25 | ppm/ $^\circ\text{C}$ |
| | | B grade, $-40^\circ\text{C} < T_A < +125^\circ\text{C}$ | | | 9 | ppm/ $^\circ\text{C}$ |
| DROPOUT VOLTAGE | $V_{IN} - V_{OUT}$ | | 300 | | | mV |
| LINE REGULATION | $\Delta V_{OUT}/\Delta V_{IN}$ | $V_{IN} = 3.6\text{ V to }15\text{ V}$, $-40^\circ\text{C} < T_A < +125^\circ\text{C}$ | | | 0.165 | mV/V |
| LOAD REGULATION | $\Delta V_{OUT}/\Delta I_{LOAD}$ | $I_{LOAD} = 0\text{ mA to }5\text{ mA}$, $-40^\circ\text{C} < T_A < +125^\circ\text{C}$, $V_{IN} = 4.2\text{ V}$ | | | 0.6 | mV/mA |
| | | $I_{LOAD} = 0\text{ mA to }8\text{ mA}$, $-40^\circ\text{C} < T_A < +125^\circ\text{C}$, $V_{IN} \geq 4.75\text{ V}$ | | | 0.6 | mV/mA |
| | | $I_{LOAD} = -1\text{ mA to }0\text{ mA}$, $-40^\circ\text{C} < T_A < +125^\circ\text{C}$, $V_{IN} = 4.2\text{ V}$ | | | 1.35 | mV/mA |
| QUIESCENT CURRENT | I_{IN} | $-40^\circ\text{C} < T_A < +125^\circ\text{C}$ | | 150 | 190 | μA |
| VOLTAGE NOISE | $e_{N\text{ p-p}}$ | $f = 0.1\text{ Hz to }10\text{ Hz}$ | | 9.3 | | $\mu\text{V p-p}$ |
| TURN-ON SETTLING TIME | t_R | | | 25 | | μs |
| LONG-TERM STABILITY ¹ | ΔV_{OUT} | 1000 hours | | 50 | | ppm |
| OUTPUT VOLTAGE HYSTERESIS | ΔV_{OUT_HYS} | | | 100 | | ppm |
| RIPPLE REJECTION RATIO | RRR | $f_{IN} = 60\text{ Hz}$ | | -70 | | dB |
| SHORT CIRCUIT TO GND | I_{SC} | $V_{IN} = 5\text{ V}$ | | 25 | | mA |
| | | $V_{IN} = 15\text{ V}$ | | 30 | | mA |

¹ The long-term stability specification is noncumulative. The drift after the first 1000 hours is significantly lower than it is in the first 1000 hours.

ABSOLUTE MAXIMUM RATINGS

T_A = 25°C, unless otherwise noted.

Table 8.

| Parameter | Rating |
|--------------------------------------|-----------------|
| Supply Voltage | 18 V |
| Output Short-Circuit Duration to GND | |
| V _{IN} < 15 V | Indefinite |
| V _{IN} > 15 V | 10 sec |
| Storage Temperature Range | –65°C to +125°C |
| Operating Temperature Range | –40°C to +125°C |
| Junction Temperature Range | –65°C to +150°C |
| Lead Temperature (Soldering, 60 sec) | 300°C |

Stresses above those listed under Absolute Maximum Ratings may cause permanent damage to the device. This is a stress rating only; functional operation of the device at these or any other conditions above those indicated in the operational section of this specification is not implied. Exposure to absolute maximum rating conditions for extended periods may affect device reliability.

THERMAL RESISTANCE

θ_{JA} is specified for the worst-case conditions, that is, a device soldered in a circuit board for surface-mount packages.

Table 9. Thermal Resistance

| Package Type | θ _{JA} | θ _{JC} | Unit |
|------------------|-----------------|-----------------|------|
| 5-Lead TSOT (UJ) | 230 | 146 | °C/W |

ESD CAUTION



ESD (electrostatic discharge) sensitive device. Charged devices and circuit boards can discharge without detection. Although this product features patented or proprietary protection circuitry, damage may occur on devices subjected to high energy ESD. Therefore, proper ESD precautions should be taken to avoid performance degradation or loss of functionality.

TYPICAL PERFORMANCE CHARACTERISTICS

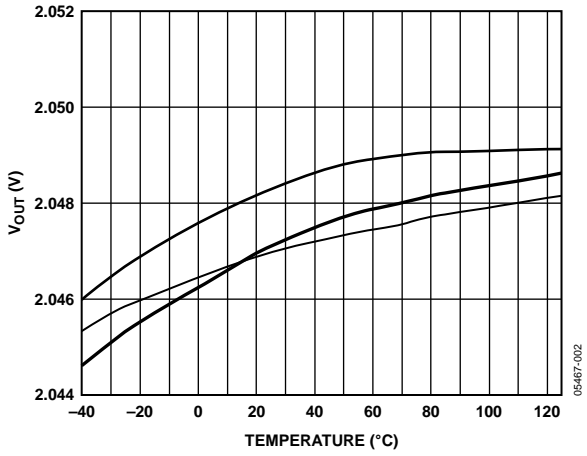


Figure 2. ADR360 Output Voltage vs. Temperature

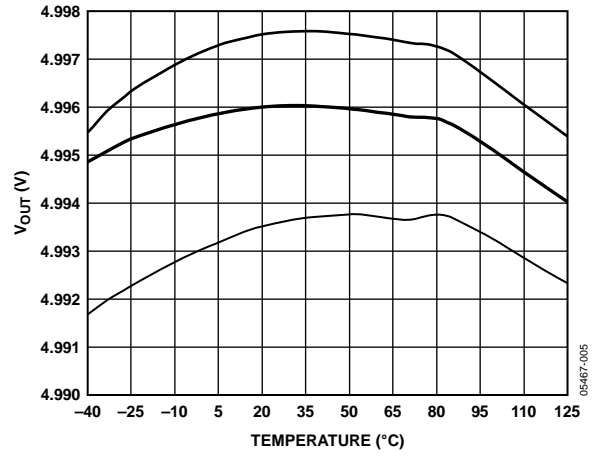


Figure 5. ADR365 Output Voltage vs. Temperature

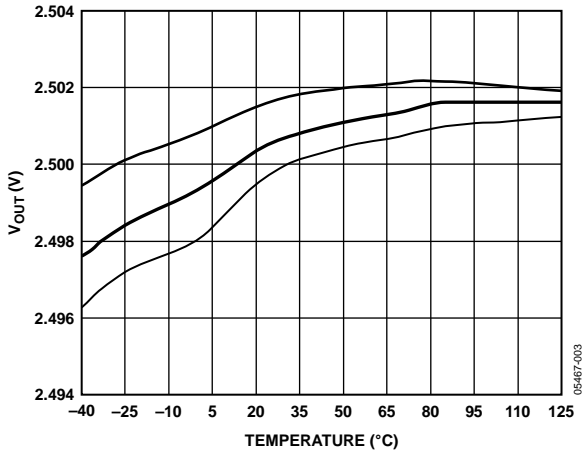


Figure 3. ADR361 Output Voltage vs. Temperature

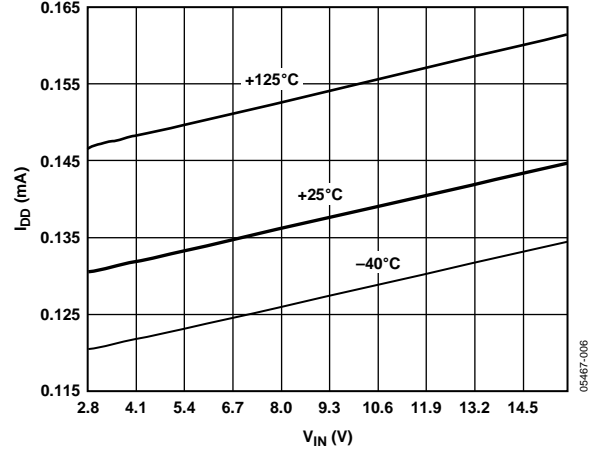


Figure 6. ADR361 Supply Current vs. Input Voltage

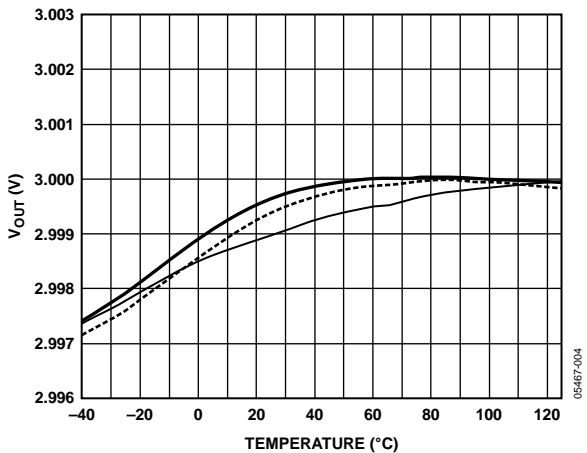


Figure 4. ADR363 Output Voltage vs. Temperature

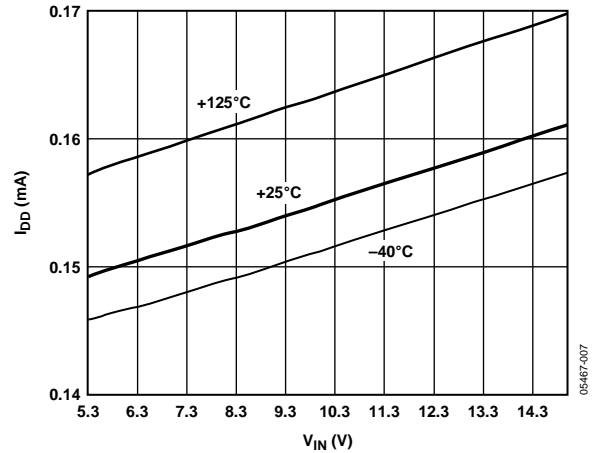


Figure 7. ADR365 Supply Current vs. Input Voltage

ADR360/ADR361/ADR363/ADR364/ADR365/ADR366

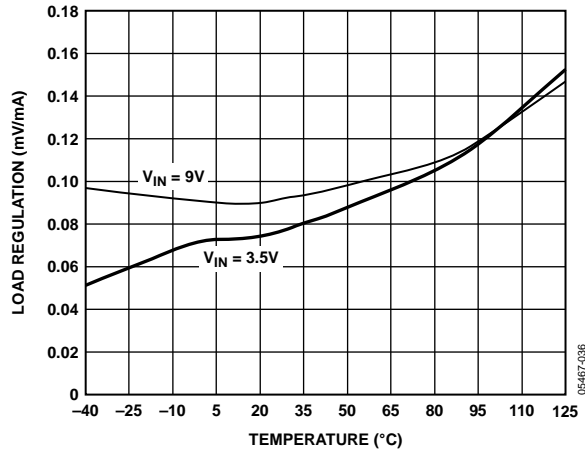


Figure 8. ADR361 Load Regulation vs. Temperature

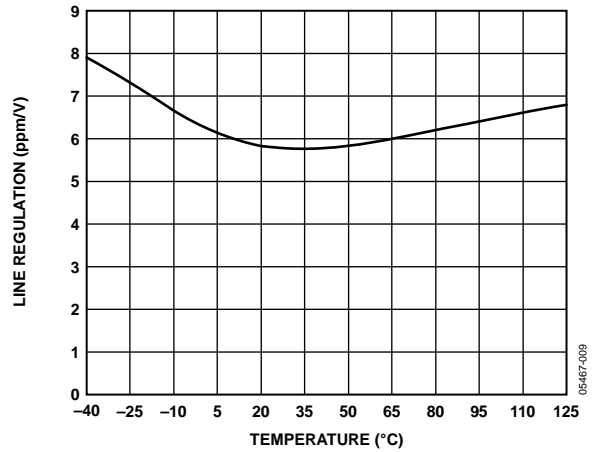


Figure 11. ADR361 Line Regulation vs. Temperature, $V_{IN} = 2.8\text{ V to }15\text{ V}$

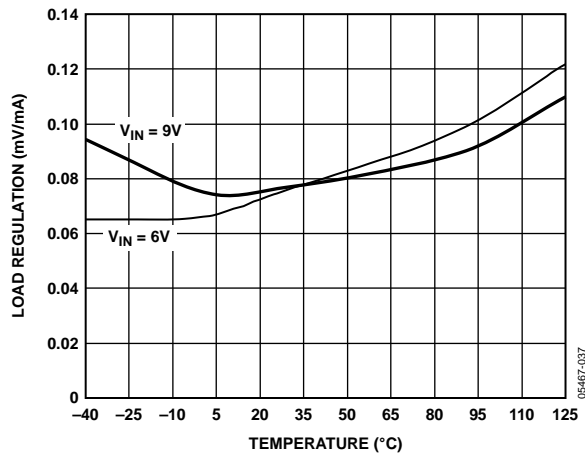


Figure 9. ADR365 Load Regulation vs. Temperature

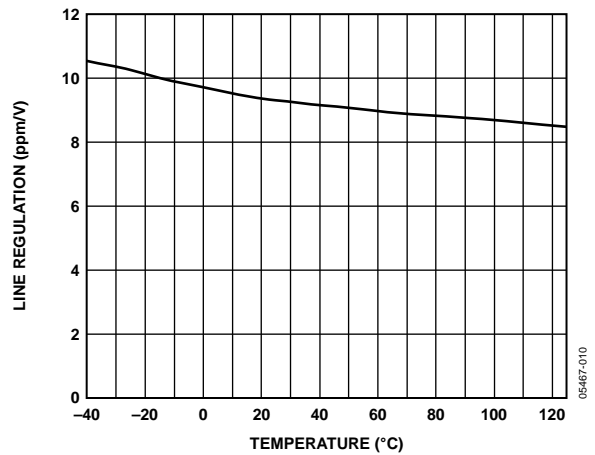


Figure 12. ADR365 Line Regulation vs. Temperature, $V_{IN} = 5.3\text{ V to }15\text{ V}$

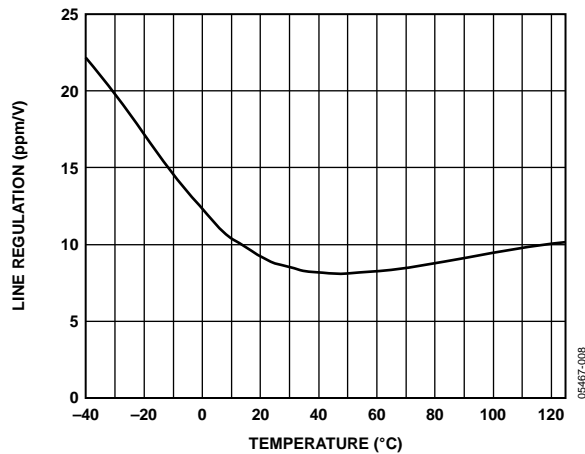


Figure 10. ADR360 Line Regulation vs. Temperature, $V_{IN} = 2.45\text{ V to }15\text{ V}$

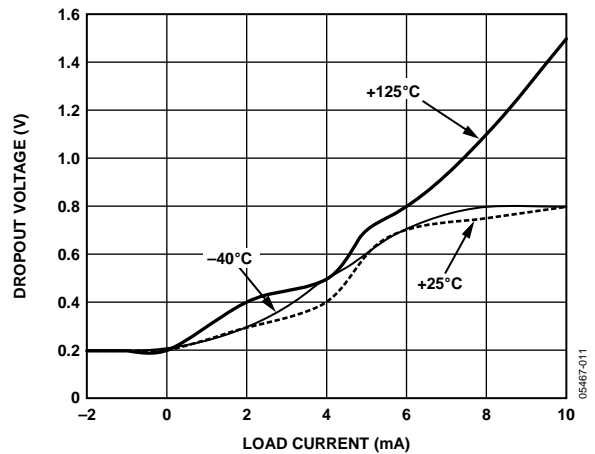


Figure 13. ADR361 Dropout Voltage vs. Load Current

ADR360/ADR361/ADR363/ADR364/ADR365/ADR366

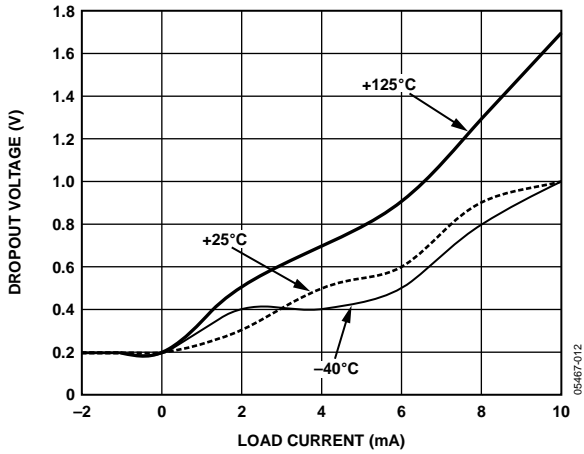


Figure 14. ADR365 Dropout Voltage vs. Load Current

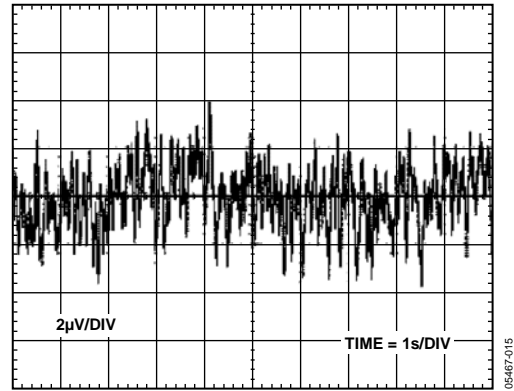


Figure 17. ADR363 0.1 Hz to 10 Hz Noise

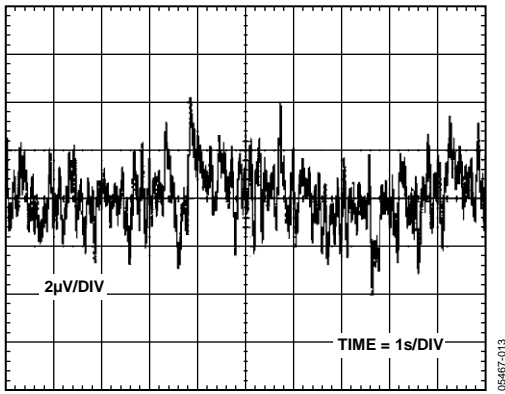


Figure 15. ADR361 0.1 Hz to 10 Hz Noise

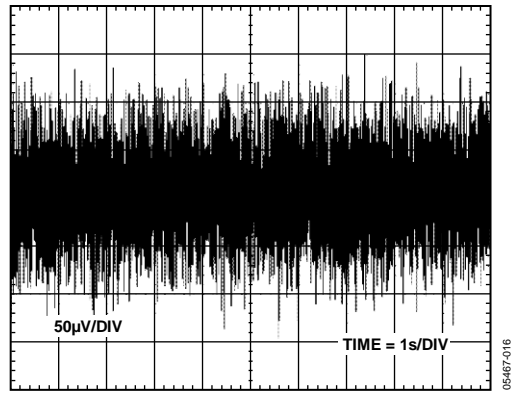


Figure 18. ADR363 10 Hz to 10 kHz Noise

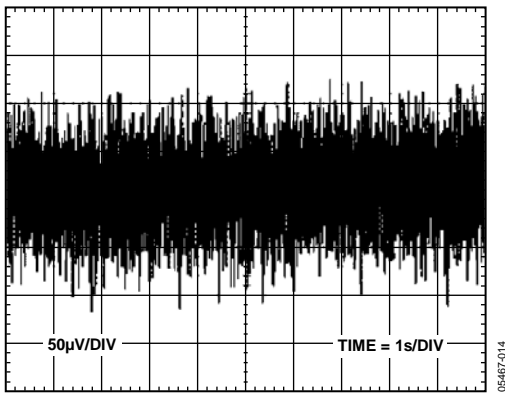


Figure 16. ADR361 10 Hz to 10 kHz Noise

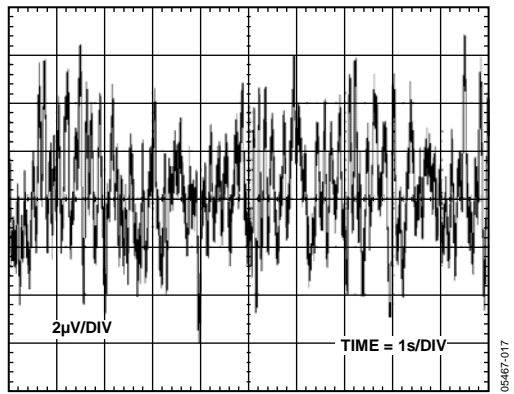


Figure 19. ADR365 0.1 Hz to 10 Hz Noise

ADR360/ADR361/ADR363/ADR364/ADR365/ADR366

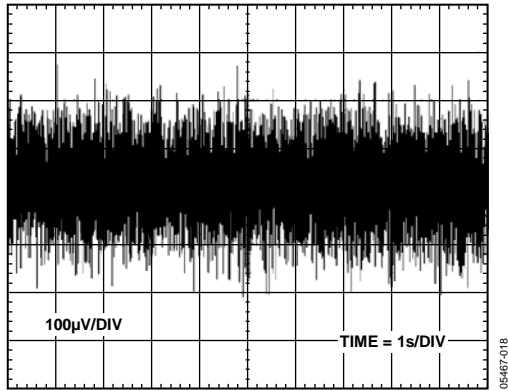


Figure 20. ADR365 10 Hz to 10 kHz Noise

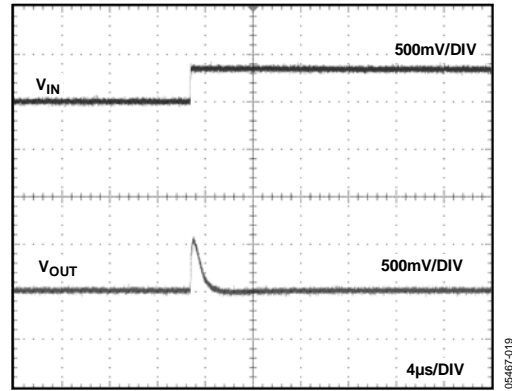


Figure 23. ADR361 Line Transient Response (Increasing), No Capacitors

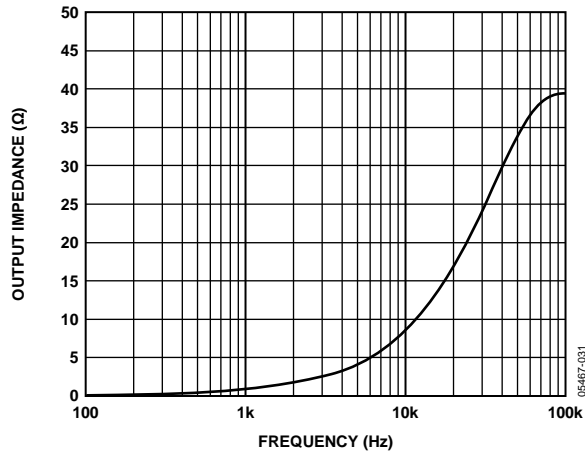


Figure 21. Output Impedance vs. Frequency

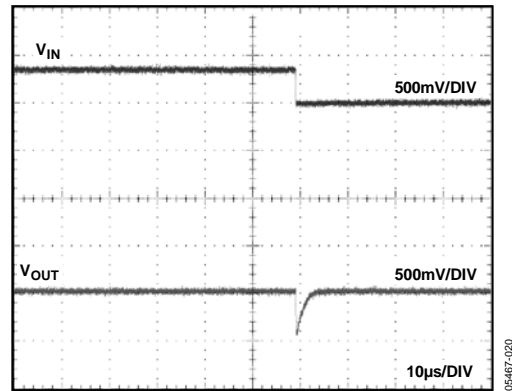


Figure 24. ADR361 Line Transient Response (Decreasing), No Capacitors

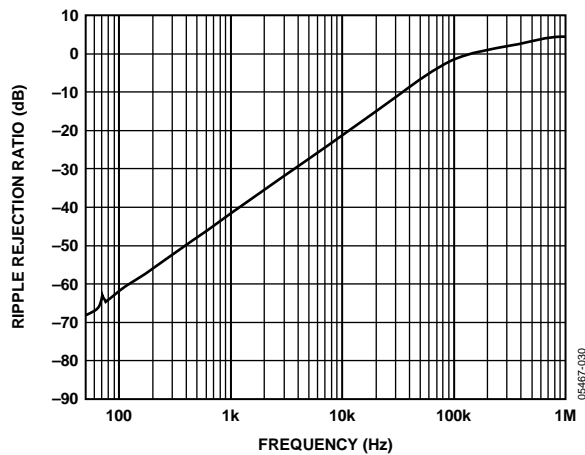


Figure 22. Ripple Rejection Ratio vs. Frequency

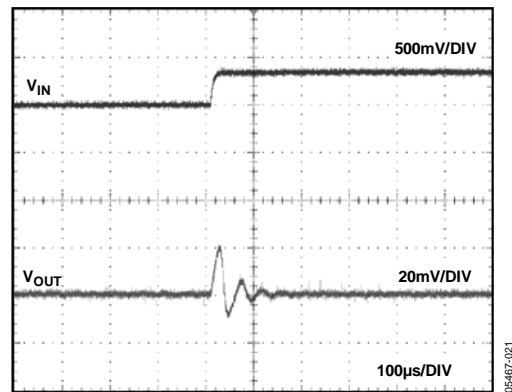


Figure 25. ADR361 Line Transient Response, 0.1 µF Input Capacitor

ADR360/ADR361/ADR363/ADR364/ADR365/ADR366

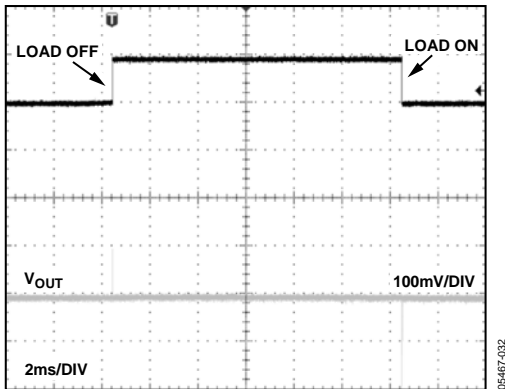


Figure 26. ADR361 Load Transient Response

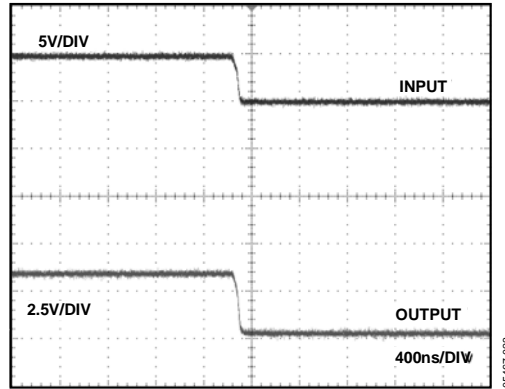


Figure 29. ADR361 Turn-Off Response Time at 5 V

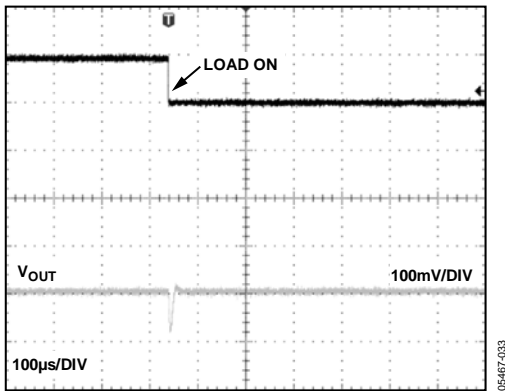


Figure 27. ADR361 Load Transient Response with 0.1 μ F Output Capacitor

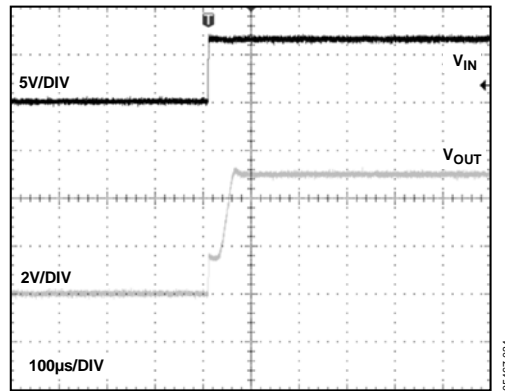


Figure 30. ADR361 Turn-On Response Time, 0.1 μ F Output Capacitor

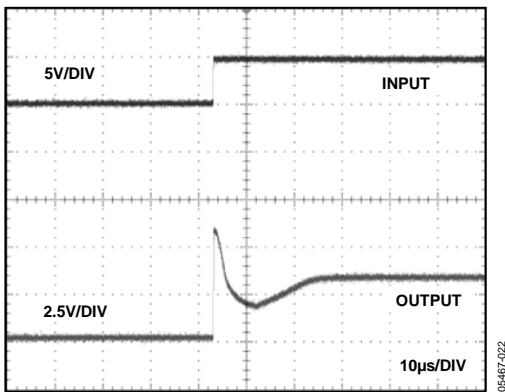


Figure 28. ADR361 Turn-On Response Time at 5 V

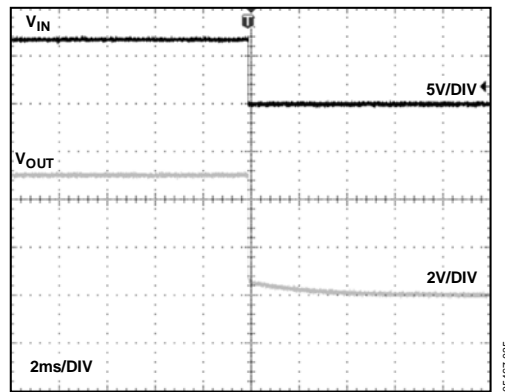


Figure 31. ADR361 Turn-Off Response Time, 0.1 μ F Output Capacitor

TERMINOLOGY

Temperature Coefficient

The change of output voltage with respect to operating temperature changes normalized by the output voltage at 25°C. This parameter is expressed in ppm/°C and can be determined by

$$TCV_{OUT}[\text{ppm}/^{\circ}\text{C}] = \frac{V_{OUT}(T_2) - V_{OUT}(T_1)}{V_{OUT}(25^{\circ}\text{C}) \times (T_2 - T_1)} \times 10^6$$

where:

$V_{OUT}(25^{\circ}\text{C}) = V_{OUT}$ at 25°C.

$V_{OUT}(T_1) = V_{OUT}$ at Temperature 1.

$V_{OUT}(T_2) = V_{OUT}$ at Temperature 2.

Line Regulation

The change in output voltage due to a specified change in input voltage. This parameter accounts for the effects of self-heating. Line regulation is expressed in either percent per volt, parts per million per volt, or microvolts per volt change in input voltage.

Load Regulation

The change in output voltage due to a specified change in load current. This parameter accounts for the effects of self-heating. Load regulation is expressed in either microvolts per milliampere, parts per million per milliampere, or ohms of dc output resistance.

Long-Term Stability

The typical shift of output voltage at 25°C on a sample of parts subjected to a test of 1000 hours at 25°C.

$$\Delta V_{OUT} = V_{OUT}(t_0) - V_{OUT}(t_1)$$

$$\Delta V_{OUT}[\text{ppm}] = \left(\frac{V_{OUT}(t_0) - V_{OUT}(t_1)}{V_{OUT}(t_0)} \times 10^6 \right)$$

where:

$V_{OUT}(t_0) = V_{OUT}$ at 25°C at Time 0.

$V_{OUT}(t_1) = V_{OUT}$ at 25°C after 1000 hours operation at 25°C.

Thermal Hysteresis

The change of output voltage after the device is cycled from +25°C to -40°C to +125°C and back to +25°C. This is a typical value from a sample of parts put through such a cycle.

$$V_{OUT_HYS} = V_{OUT}(25^{\circ}\text{C}) - V_{OUT_TC}$$

$$V_{OUT_HYS}[\text{ppm}] = \frac{V_{OUT}(25^{\circ}\text{C}) - V_{OUT_TC}}{V_{OUT}(25^{\circ}\text{C})} \times 10^6$$

where:

$V_{OUT}(25^{\circ}\text{C}) = V_{OUT}$ at 25°C.

$V_{OUT_TC} = V_{OUT}$ at 25°C after temperature cycle at +25°C to -40°C to +125°C and back to +25°C.

ADR360/ADR361/ADR363/ADR364/ADR365/ADR366

THEORY OF OPERATION

Band gap references are the high performance solution for low supply voltage and low power voltage reference applications, and the ADR36x family is no exception. The uniqueness of these products lies in their architecture. The ideal zero TC band gap voltage is referenced to the output, not to ground (see Figure 32). Therefore, if noise exists on the ground line, it is greatly attenuated on V_{OUT} . The band gap cell consists of the PNP pair Q53 and Q52 running at unequal current densities. The difference in V_{BE} results in a voltage with a positive TC, which is amplified by a ratio of

$$2 \times \frac{R59}{R54}$$

This PTAT voltage, combined with the V_{BE} of Q53 and Q52, produces the stable band gap voltage.

Reduction in the band gap curvature is performed by the ratio of Resistor R44 and Resistor R59, one of which is linearly temperature dependent. Precision laser trimming and other patented circuit techniques are used to further enhance the drift performance.

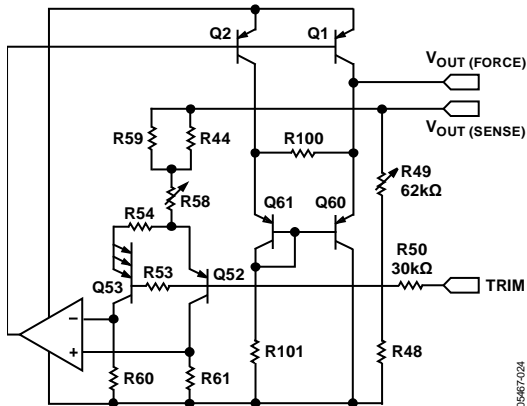


Figure 32. Simplified Schematic

DEVICE POWER DISSIPATION CONSIDERATIONS

The ADR36x family is capable of delivering load currents to 5 mA with an input voltage ranging from 2.348 V (ADR360 only) to 18 V. When this device is used in applications with large input voltages, care should be taken to avoid exceeding the specified maximum power dissipation or junction temperature because it may result in premature device failure. Use the following formula to calculate a device's maximum junction temperature or dissipation:

$$P_D = \frac{T_J - T_A}{\theta_{JA}}$$

where:

T_J and T_A are the junction and ambient temperatures, respectively.

P_D is the device power dissipation.

θ_{JA} is the device package thermal resistance.

INPUT CAPACITOR

Input capacitors are not required on the ADR36x. There is no limit for the value of the capacitor used on the input, but a 1 μ F to 10 μ F capacitor on the input improves transient response in applications where the supply suddenly changes. An additional 0.1 μ F capacitor in parallel also helps reduce noise from the supply.

OUTPUT CAPACITOR

The ADR36x does not require output capacitors for stability under any load condition. An output capacitor, typically 0.1 μ F, filters out low level noise voltage and does not affect the operation of the part. On the other hand, the load transient response can improve with an additional 1 μ F to 10 μ F output capacitor placed in parallel with the 0.1 μ F capacitor. The additional capacitor acts as a source of stored energy for a sudden increase in load current, and the only parameter that degrades is the turn-on time. The amount of degradation depends on the size of the capacitor chosen.

APPLICATIONS INFORMATION

BASIC VOLTAGE REFERENCE CONNECTION

The circuit in Figure 33 illustrates the basic configuration for the ADR36x family. Decoupling capacitors are not required for circuit stability. The ADR36x family is capable of driving capacitive loads from 0 μ F to 10 μ F. However, a 0.1 μ F ceramic output capacitor is recommended to absorb and deliver the charge, as is required by a dynamic load.

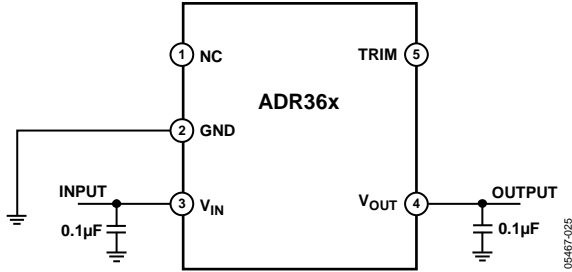


Figure 33. Basic Configuration for the ADR36x Family

Stacking Reference ICs for Arbitrary Outputs

Some applications require two reference voltage sources, which are a combined sum of standard outputs. Figure 34 shows how this stacked output reference can be implemented.

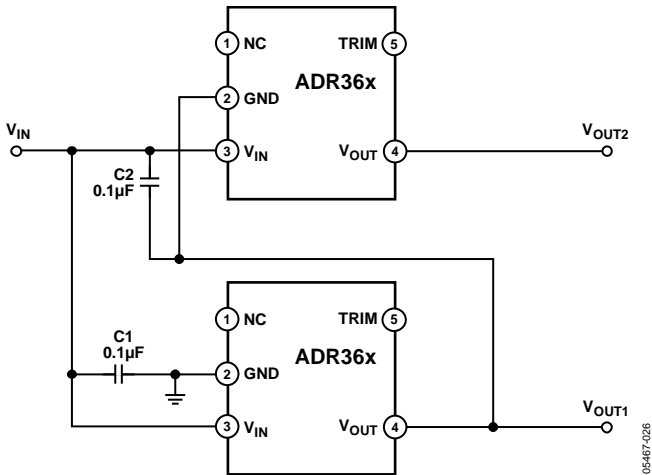


Figure 34. Stacking Voltage References with the ADR36x

Two reference ICs are used and fed from an unregulated input, V_{IN} . The outputs of the individual ICs are connected in series, which provides two output voltages, V_{OUT1} and V_{OUT2} . V_{OUT1} is the terminal voltage of U1, and V_{OUT2} is the sum of this voltage and the terminal voltage of U2. U1 and U2 are chosen for the two voltages that supply the required outputs (see Table 10). For example, if both U1 and U2 are ADR361s, V_{OUT1} is 2.5 V and V_{OUT2} is 5.0 V.

Table 10. Output

| U1/U2 | V_{OUT1} (V) | V_{OUT2} (V) |
|---------------|----------------|----------------|
| ADR361/ADR365 | 2.5 | 7.5 |
| ADR361/ADR361 | 2.5 | 5.0 |
| ADR365/ADR361 | 5 | 7.5 |

Negative Precision Reference Without Precision Resistors

A negative reference is easily generated by adding an op amp, A1 (see Figure 35). V_{OUTF} and V_{OUTS} are at virtual ground and therefore the negative reference can be taken directly from the output of the op amp. The op amp must be dual-supply, low offset, and rail-to-rail if the negative supply voltage is close to the reference output.

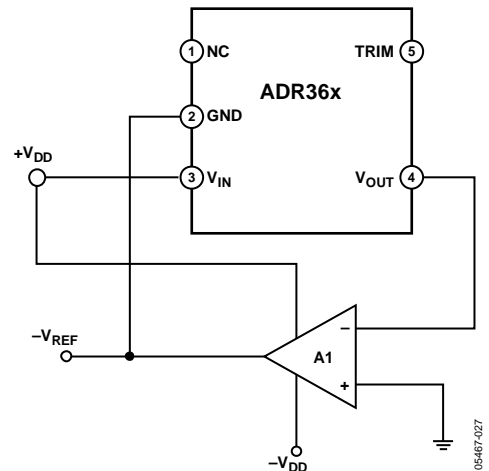


Figure 35. Negative Reference

ADR360/ADR361/ADR363/ADR364/ADR365/ADR366

General-Purpose Current Source

Often in low power applications, the need arises for a precision current source that can operate on low supply voltages. The ADR36x can be configured as a precision current source (see Figure 36). The circuit configuration illustrated is a floating current source with a grounded load. The output voltage of the reference is bootstrapped across R_{SET} , which sets the output current of the load. With this configuration, circuit precision is maintained for load currents ranging from the reference's supply current, typically 150 μA , up to approximately 5 mA.

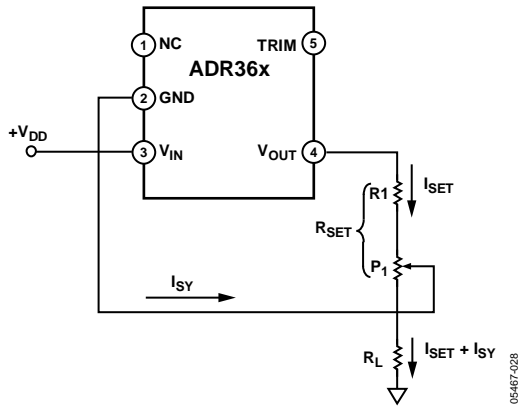


Figure 36. Precision Current Source

Trim Terminal

The ADR36x trim terminal can be used to adjust the output voltage over a nominal voltage. This feature allows a system designer to trim system errors by setting the reference to a voltage other than the standard voltage option. Resistor R1 is used for fine adjustments and can be omitted if desired. The resistor values should be carefully chosen to ensure that the maximum current drive of the part is not exceeded.

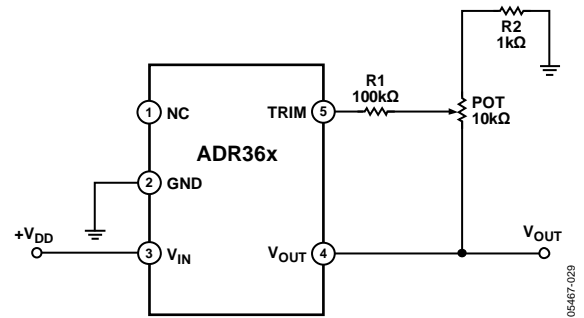
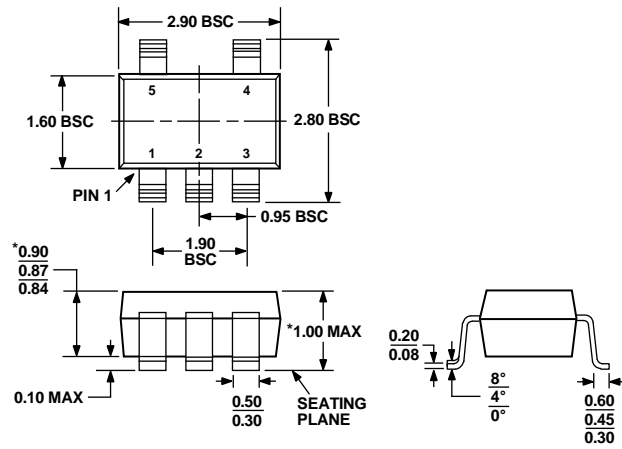


Figure 37. ADR36x Trim Configuration

OUTLINE DIMENSIONS



*COMPLIANT TO JEDEC STANDARDS MO-193-AB WITH THE EXCEPTION OF PACKAGE HEIGHT AND THICKNESS.

Figure 38. 5-Lead Thin Small Outline Transistor Package [TSOT] (UJ-5)

Dimensions shown in millimeters

ADR360/ADR361/ADR363/ADR364/ADR365/ADR366

ORDERING GUIDE

| Model ^{1,2} | Output Voltage (V _{out}) | Initial Accuracy, ± | | Temperature Coefficient (ppm/°C) | Package Description | Package Option | Temperature Range | Ordering Quantity | Branding |
|----------------------|------------------------------------|---------------------|-------|----------------------------------|---------------------|----------------|-------------------|-------------------|----------|
| | | (mV) | (%) | | | | | | |
| ADR360AUJZ-REEL7 | 2.048 | 6 | 0.29 | 25 | 5-Lead TSOT | UJ-5 | -40°C to +125°C | 3,000 | ROC |
| ADR360AUJZ-R2 | 2.048 | 6 | 0.29 | 25 | 5-Lead TSOT | UJ-5 | -40°C to +125°C | 250 | ROC |
| ADR360BUJZ-REEL7 | 2.048 | 3 | 0.15 | 9 | 5-Lead TSOT | UJ-5 | -40°C to +125°C | 3,000 | ROD |
| ADR360BUJZ-R2 | 2.048 | 3 | 0.15 | 9 | 5-Lead TSOT | UJ-5 | -40°C to +125°C | 250 | ROD |
| ADR361AUJZ-REEL7 | 2.5 | 6 | 0.24 | 25 | 5-Lead TSOT | UJ-5 | -40°C to +125°C | 3,000 | ROE |
| ADR361AUJZ-R2 | 2.5 | 6 | 0.24 | 25 | 5-Lead TSOT | UJ-5 | -40°C to +125°C | 250 | ROE |
| ADR361BUJZ-REEL7 | 2.5 | 3 | 0.12 | 9 | 5-Lead TSOT | UJ-5 | -40°C to +125°C | 3,000 | ROF |
| ADR361BUJZ-R2 | 2.5 | 3 | 0.12 | 9 | 5-Lead TSOT | UJ-5 | -40°C to +125°C | 250 | ROF |
| ADR363AUJZ-REEL7 | 3.0 | 6 | 0.2 | 25 | 5-Lead TSOT | UJ-5 | -40°C to +125°C | 3,000 | ROG |
| ADR363AUJZ-R2 | 3.0 | 6 | 0.2 | 25 | 5-Lead TSOT | UJ-5 | -40°C to +125°C | 250 | ROG |
| ADR363BUJZ-REEL7 | 3.0 | 3 | 0.1 | 9 | 5-Lead TSOT | UJ-5 | -40°C to +125°C | 3,000 | ROH |
| ADR363BUJZ-R2 | 3.0 | 3 | 0.1 | 9 | 5-Lead TSOT | UJ-5 | -40°C to +125°C | 250 | ROH |
| ADR364AUJZ-REEL7 | 4.096 | 8 | 0.2 | 25 | 5-Lead TSOT | UJ-5 | -40°C to +125°C | 3,000 | ROJ |
| ADR364AUJZ-R2 | 4.096 | 8 | 0.2 | 25 | 5-Lead TSOT | UJ-5 | -40°C to +125°C | 250 | ROJ |
| ADR364BUJZ-REEL7 | 4.096 | 4 | 0.1 | 9 | 5-Lead TSOT | UJ-5 | -40°C to +125°C | 3,000 | ROK |
| ADR364BUJZ-R2 | 4.096 | 4 | 0.1 | 9 | 5-Lead TSOT | UJ-5 | -40°C to +125°C | 250 | ROK |
| ADR365AUJZ-REEL7 | 5.0 | 8 | 0.16 | 25 | 5-Lead TSOT | UJ-5 | -40°C to +125°C | 3,000 | ROL |
| ADR365AUJZ-R2 | 5.0 | 8 | 0.16 | 25 | 5-Lead TSOT | UJ-5 | -40°C to +125°C | 250 | ROL |
| ADR365BUJZ-REEL7 | 5.0 | 4 | 0.08 | 9 | 5-Lead TSOT | UJ-5 | -40°C to +125°C | 3,000 | ROM |
| ADR365BUJZ-R2 | 5.0 | 4 | 0.08 | 9 | 5-Lead TSOT | UJ-5 | -40°C to +125°C | 250 | ROM |
| ADR365WAUJZ-R7 | 5.0 | 8 | 0.16 | 25 | 5-Lead TSOT | UJ-5 | -40°C to +125°C | 3,000 | ROL |
| ADR365WAUJZ-RL | 5.0 | 8 | 0.16 | 25 | 5-Lead TSOT | UJ-5 | -40°C to +125°C | 10,000 | ROL |
| ADR366AUJZ-REEL7 | 3.3 | 8 | 0.25 | 25 | 5-Lead TSOT | UJ-5 | -40°C to +125°C | 3,000 | R08 |
| ADR366AUJZ-R2 | 3.3 | 8 | 0.25 | 25 | 5-Lead TSOT | UJ-5 | -40°C to +125°C | 250 | R08 |
| ADR366BUJZ-REEL7 | 3.3 | 4 | 0.125 | 9 | 5-Lead TSOT | UJ-5 | -40°C to +125°C | 3,000 | R09 |
| ADR366BUJZ-R2 | 3.3 | 4 | 0.125 | 9 | 5-Lead TSOT | UJ-5 | -40°C to +125°C | 250 | R09 |
| ADR366WAUJZ-REEL7 | 3.3 | 8 | 0.25 | 25 | 5-Lead TSOT | UJ-5 | -40°C to +125°C | 3,000 | R08 |

¹ Z = RoHS Compliant Part.

² W = Qualified for Automotive Applications.

AUTOMOTIVE PRODUCTS

The ADR365W and ADR366W models are available with controlled manufacturing to support the quality and reliability requirements of automotive applications. Note that these automotive models may have specifications that differ from the commercial models; therefore, designers should review the Specifications section of this data sheet carefully. Only the automotive grade products shown are available for use in automotive applications. Contact your local Analog Devices account representative for specific product ordering information and to obtain the specific Automotive Reliability reports for these models.

Компания «Океан Электроники» предлагает заключение долгосрочных отношений при поставках импортных электронных компонентов на взаимовыгодных условиях!

Наши преимущества:

- Поставка оригинальных импортных электронных компонентов напрямую с производств Америки, Европы и Азии, а так же с крупнейших складов мира;
- Широкая линейка поставок активных и пассивных импортных электронных компонентов (более 30 млн. наименований);
- Поставка сложных, дефицитных, либо снятых с производства позиций;
- Оперативные сроки поставки под заказ (от 5 рабочих дней);
- Экспресс доставка в любую точку России;
- Помощь Конструкторского Отдела и консультации квалифицированных инженеров;
- Техническая поддержка проекта, помощь в подборе аналогов, поставка прототипов;
- Поставка электронных компонентов под контролем ВП;
- Система менеджмента качества сертифицирована по Международному стандарту ISO 9001;
- При необходимости вся продукция военного и аэрокосмического назначения проходит испытания и сертификацию в лаборатории (по согласованию с заказчиком);
- Поставка специализированных компонентов военного и аэрокосмического уровня качества (Xilinx, Altera, Analog Devices, Intersil, Interpoint, Microsemi, Actel, Aeroflex, Peregrine, VPT, Syfer, Eurofarad, Texas Instruments, MS Kennedy, Miteq, Cobham, E2V, MA-COM, Hittite, Mini-Circuits, General Dynamics и др.);

Компания «Океан Электроники» является официальным дистрибьютором и эксклюзивным представителем в России одного из крупнейших производителей разъемов военного и аэрокосмического назначения «JONHON», а так же официальным дистрибьютором и эксклюзивным представителем в России производителя высокотехнологичных и надежных решений для передачи СВЧ сигналов «FORSTAR».



JONHON

«JONHON» (основан в 1970 г.)

Разъемы специального, военного и аэрокосмического назначения:

(Применяются в военной, авиационной, аэрокосмической, морской, железнодорожной, горно- и нефтедобывающей отраслях промышленности)

«FORSTAR» (основан в 1998 г.)

ВЧ соединители, коаксиальные кабели, кабельные сборки и микроволновые компоненты:

(Применяются в телекоммуникациях гражданского и специального назначения, в средствах связи, РЛС, а так же военной, авиационной и аэрокосмической отраслях промышленности).



Телефон: 8 (812) 309-75-97 (многоканальный)

Факс: 8 (812) 320-03-32

Электронная почта: ocean@oceanchips.ru

Web: <http://oceanchips.ru/>

Адрес: 198099, г. Санкт-Петербург, ул. Калинина, д. 2, корп. 4, лит. А