

Push Pull CATV Amplifier 50 - 1000 MHz

Rev. V1

Features

- 20 dB Gain
- 8 V DC Bias
- Differential Inputs and Outputs
- Low Distortion
- Lead-Free 4 mm 20-Lead PQFN package
- Halogen-Free “Green” Mold Compound
- RoHS* Compliant and 260°C Reflow Compatible

Description

The MAAM-009455 is a GaAs MMIC amplifier in a lead-free 4 mm 20-lead PQFN package. The MMIC design is configured as a pair of cascode MESFET amplifiers for broadband performance. It is designed for integration in a 75 Ω push-pull, low distortion, amplifier circuit.

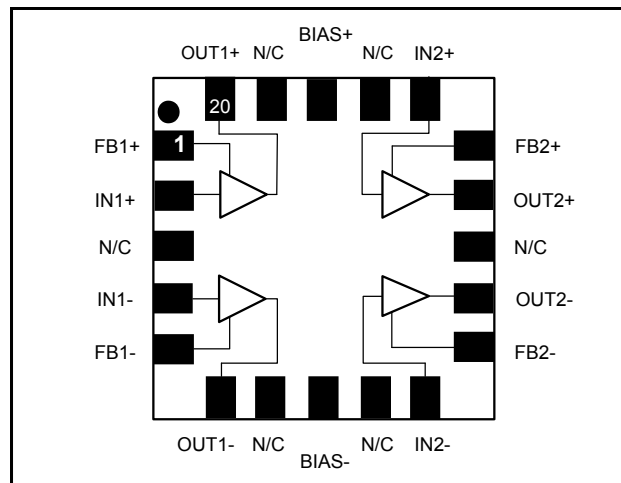
This device is ideally suited for use in CATV, FTTX, DBS, and HDTV applications where low noise figure and low distortion are required.

Ordering Information ^{1,2}

| Part Number | Package |
|--------------------|-------------------|
| MAAM-009455-000000 | Bulk Packaging |
| MAAM-009455-TR1000 | 1000 Piece Reel |
| MAAM-009455-TR3000 | 3000 Piece Reel |
| MAAM-009455-001SMB | Sample Test Board |

1. Reference Application Note M513 for reel size information.
2. All sample boards include 5 loose parts.

Functional Schematic



Pin Configuration ³

| Pin No. | Pin Name | Description |
|---------------------|----------|------------------|
| 1 | FB1+ | Feedback 1+ |
| 2 | IN1+ | Input 1+ |
| 3 | N/C | No Connection |
| 4 | IN1- | Input 1- |
| 5 | FB1- | Feedback 1- |
| 6 | OUT1- | Output 1- |
| 7 | N/C | No Connection |
| 8 | BIAS- | DC Bias |
| 9 | N/C | No Connection |
| 10 | IN2- | Input 2- |
| 11 | FB2- | Feedback 2- |
| 12 | OUT2- | Output 2- |
| 13 | N/C | No Connection |
| 14 | OUT2+ | Output 2+ |
| 15 | FB2+ | Feedback 2+ |
| 16 | IN2+ | Input 2+ |
| 17 | N/C | No Connection |
| 18 | BIAS+ | DC Bias |
| 19 | N/C | No Connection |
| 20 | OUT1+ | Output 1+ |
| Paddle ⁴ | | RF and DC Ground |

3. It is recommended, but not absolutely compulsory, that all No Connections (N/C) within the IC are connected to ground on the printed circuit board.
4. The exposed pad centered on the package bottom must be connected to RF and DC ground.

* Restrictions on Hazardous Substances, European Union Directive 2002/95/EC.

Push Pull CATV Amplifier 50 - 1000 MHz

Rev. V1

**Electrical Specifications: $T_A = 25^\circ\text{C}$, Freq: 1000 MHz, $V_{DD} = +8$ Volts, $Z_0 = 75 \Omega$,
Test Circuit with M/A-COM Technology Balun MABA-009210-CT1760**

| Parameter | Test Conditions | Units | Min. | Typ. | Max. |
|-----------------------------|--|-------|------|------|------|
| Gain | — | dB | 19.5 | 20.5 | 23 |
| Gain Flatness | — | dB | — | 0.5 | — |
| Noise Figure | — | dB | — | 5.5 | — |
| Reverse Isolation | — | dB | — | 36 | — |
| Input Return Loss | — | dB | — | 22 | — |
| Output Return Loss | — | dB | — | 15 | — |
| Output IP2 | Two tones at 500 & 506 MHz, +8 dBm output/tone | dBm | — | 80 | — |
| Output IP3 | Two tones at 500 & 506 MHz, +8 dBm output/tone | dBm | 41 | 43 | — |
| Composite Triple Beat, CTB | 77 Channels, +39 dBm V / Channel at the output | dBc | — | -70 | — |
| Composite Second Order, CSO | 77 Channels, +39 dBm V / Channel at the output | dBc | — | -70 | — |
| Cross modulation | 77 Channels, +39 dBm V / Channel at the output | dBc | — | -70 | — |
| P1dB | 500 MHz | dBm | — | 26 | — |
| I_{DD} | +8 Volts | mA | — | 325 | 385 |

Electrical Specifications: Frequency: 500 MHz, 256 QAM

| Parameter | Test Conditions | Units | Ref Spec ⁵ | Typical data |
|--|---|-------|-----------------------|-------------------|
| Adjacent channel up to 750 KHz from channel block edge | $P_{OUT} = +60$ dBmV, N=1 $P_{OUT} = +56$ dBmV, N=2 $P_{OUT} = +52$ dBmV, N=4 | dBc | <-58 <-58 <-58 | -65 -65 -66 |
| Adjacent channel (750 kHz from channel block edge to 6 MHz from channel block edge) | $P_{OUT} = +60$ dBmV, N=1 $P_{OUT} = +56$ dBmV, N=2 $P_{OUT} = +52$ dBmV, N=4 | dBc | <-62 <-60 <-60 | -67 -64 -63 |
| Next-adjacent channel (6 MHz from channel block edge to 18 MHz from channel block edge) | $P_{OUT} = +60$ dBmV, N=1 $P_{OUT} = +56$ dBmV, N=2 $P_{OUT} = +52$ dBmV, N=4 | dBc | <-65 <-64 <-63 | -75 -70 -65 |
| Third-adjacent channel (12 MHz from channel block edge to 18 MHz from channel block edge) | $P_{OUT} = +60$ dBmV, N=1 $P_{OUT} = +56$ dBmV, N=2 $P_{OUT} = +52$ dBmV, N=4 | dBc | <-73 <-70 <-65 | -76 -73 -68 |
| In each of 2N contiguous 6 MHz channels or in each of 3N contiguous 6 MHz channels coinciding with 2nd harmonic and with 3rd harmonic components respectively (up to 1000 MHz) | $P_{OUT} = +60$ dBmV, N=1, 2nd Harmonic $P_{OUT} = +60$ dBmV, N=1, 3rd Harmonic | dBc | -63 -63 | -70 -65 |

5. Reference Specification Data-Over-Cable Service Interface Specifications, DOCSIS. Downstream RF Interface Specification, DRFI.

Absolute Maximum Ratings ^{6,7,8}

| Parameter | Absolute Maximum |
|-----------------------------------|------------------|
| RF Input Power | 6 dBm |
| Voltage | 15.0 volts |
| Operating Temperature | -40°C to +85°C |
| Junction Temperature ⁹ | +150°C |
| Storage Temperature | -65°C to +150°C |

6. Exceeding any one or combination of these limits may cause permanent damage to this device.
7. M/A-COM Technology Solutions does not recommend sustained operation near these survivability limits.
8. These operating conditions will ensure MTTF > 1 x 10⁶ hours.
9. Junction Temperature (T_J) = $T_C + \Theta_{jc} * (V * I)$
Typical thermal resistance (Θ_{jc}) = 15° C/W.
 - a) For $T_C = 25^\circ\text{C}$,
 $T_J = 71^\circ\text{C}$ @ 8 V, 385 mA
 - b) For $T_C = 85^\circ\text{C}$,
 $T_J = 130^\circ\text{C}$ @ 8 V, 375 mA

Handling Procedures

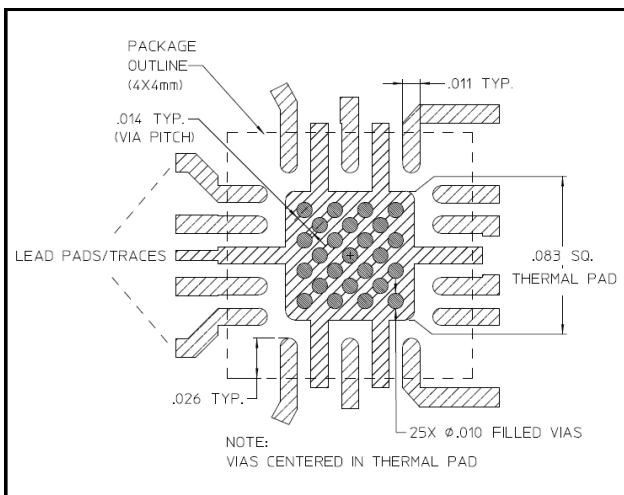
Please observe the following precautions to avoid damage:

Static Sensitivity

Gallium Arsenide Integrated Circuits are sensitive to electrostatic discharge (ESD) and can be damaged by static electricity. Proper ESD control techniques should be used when handling these devices.

An external protection circuit using an inexpensive anti-parallel diode pair can be used to protect the IC. Please reference application note AN3028 on <http://www.macomtech.com> for further detail.

Land Pattern¹⁰

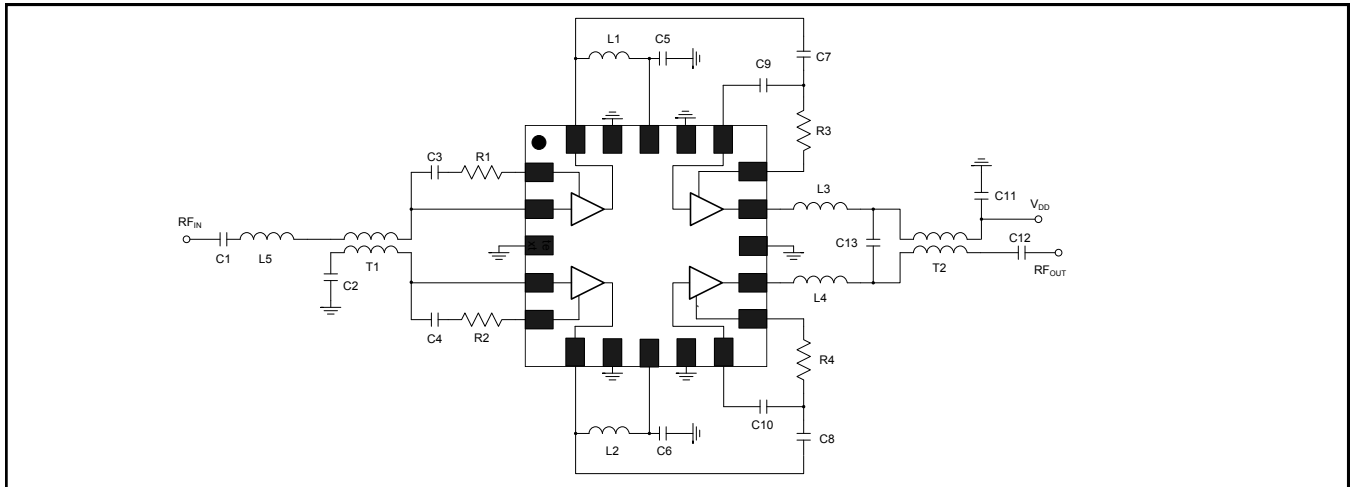


10. Vias to be plated solid copper.

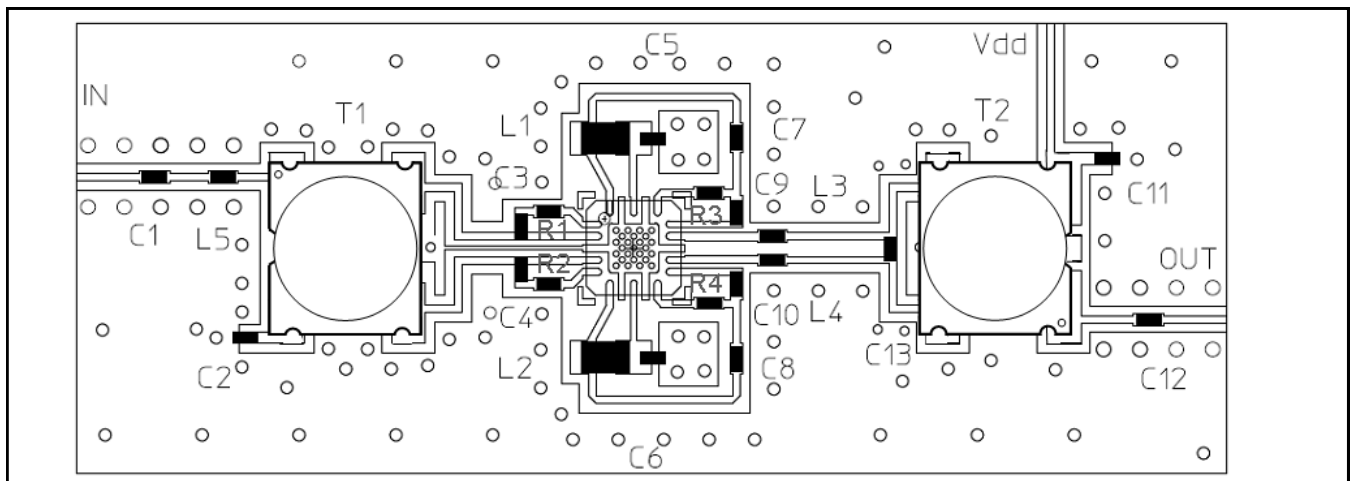
Push Pull CATV Amplifier 50 - 1000 MHz

Rev. V1

Application Schematic



Recommended PCB



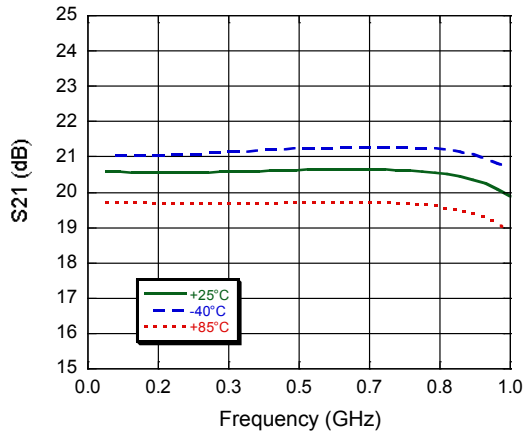
Parts List¹¹

| Component | Value | Package |
|-----------|--------------|---------|
| C1 - C12 | 0.01 μ F | 0402 |
| C13 | 2.7 pF | 0402 |
| L1, L2 | 390 nH | 0805 |
| L3, L4 | 2 nH | 0402 |
| L5 | 5.6 nH | 0402 |
| R1 - R4 | 0 Ω | 0402 |
| T1, T2 | 1:1 Baluns | |

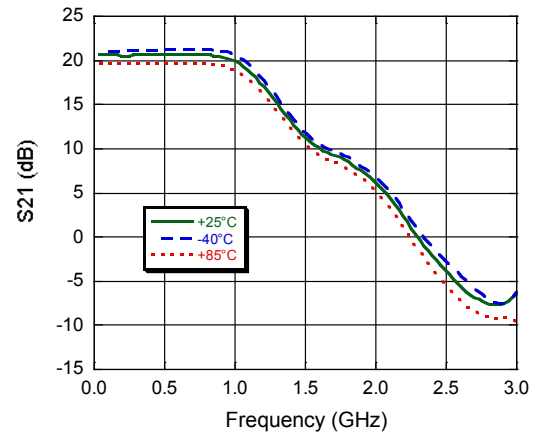
11. The 1:1 baluns, T1 & T2 are M/A-COM Technology Solutions part number MABA-009210-CT1760

Typical Performance Curves Over Temperature

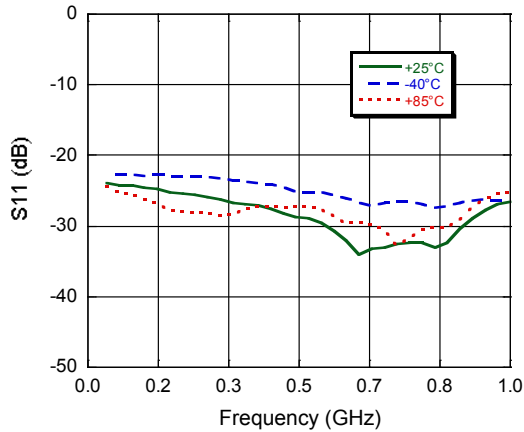
Gain to 1 GHz



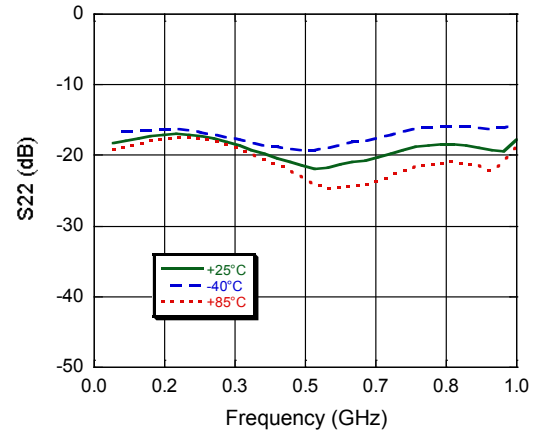
Gain to 3 GHz



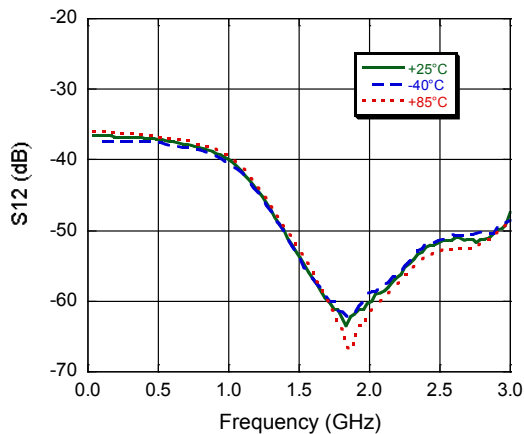
Input Return Loss



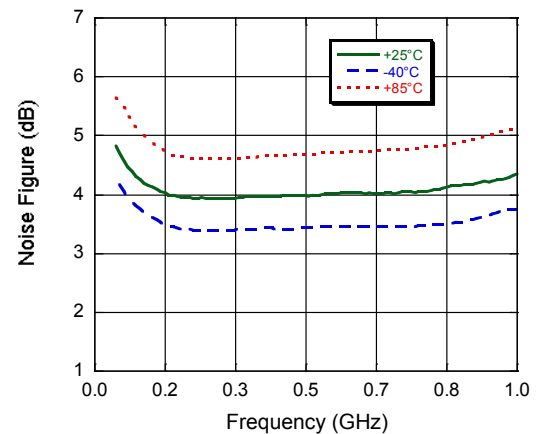
Output Return Loss



Reverse Isolation to 3 GHz



Noise Figure



M/A-COM Technology Solutions Inc. All rights reserved.

Information in this document is provided in connection with M/A-COM Technology Solutions Inc ("MACOM") products. These materials are provided by MACOM as a service to its customers and may be used for informational purposes only. Except as provided in MACOM's Terms and Conditions of Sale for such products or in any separate agreement related to this document, MACOM assumes no liability whatsoever. MACOM assumes no responsibility for errors or omissions in these materials. MACOM may make changes to specifications and product descriptions at any time, without notice. MACOM makes no commitment to update the information and shall have no responsibility whatsoever for conflicts or incompatibilities arising from future changes to its specifications and product descriptions. No license, express or implied, by estoppels or otherwise, to any intellectual property rights is granted by this document.

THESE MATERIALS ARE PROVIDED "AS IS" WITHOUT WARRANTY OF ANY KIND, EITHER EXPRESS OR IMPLIED, RELATING TO SALE AND/OR USE OF MACOM PRODUCTS INCLUDING LIABILITY OR WARRANTIES RELATING TO FITNESS FOR A PARTICULAR PURPOSE, CONSEQUENTIAL OR INCIDENTAL DAMAGES, MERCHANTABILITY, OR INFRINGEMENT OF ANY PATENT, COPYRIGHT OR OTHER INTELLECTUAL PROPERTY RIGHT. MACOM FURTHER DOES NOT WARRANT THE ACCURACY OR COMPLETENESS OF THE INFORMATION, TEXT, GRAPHICS OR OTHER ITEMS CONTAINED WITHIN THESE MATERIALS. MACOM SHALL NOT BE LIABLE FOR ANY SPECIAL, INDIRECT, INCIDENTAL, OR CONSEQUENTIAL DAMAGES, INCLUDING WITHOUT LIMITATION, LOST REVENUES OR LOST PROFITS, WHICH MAY RESULT FROM THE USE OF THESE MATERIALS.

MACOM products are not intended for use in medical, lifesaving or life sustaining applications. MACOM customers using or selling MACOM products for use in such applications do so at their own risk and agree to fully indemnify MACOM for any damages resulting from such improper use or sale.

Компания «Океан Электроники» предлагает заключение долгосрочных отношений при поставках импортных электронных компонентов на взаимовыгодных условиях!

Наши преимущества:

- Поставка оригинальных импортных электронных компонентов напрямую с производств Америки, Европы и Азии, а так же с крупнейших складов мира;
- Широкая линейка поставок активных и пассивных импортных электронных компонентов (более 30 млн. наименований);
- Поставка сложных, дефицитных, либо снятых с производства позиций;
- Оперативные сроки поставки под заказ (от 5 рабочих дней);
- Экспресс доставка в любую точку России;
- Помощь Конструкторского Отдела и консультации квалифицированных инженеров;
- Техническая поддержка проекта, помощь в подборе аналогов, поставка прототипов;
- Поставка электронных компонентов под контролем ВП;
- Система менеджмента качества сертифицирована по Международному стандарту ISO 9001;
- При необходимости вся продукция военного и аэрокосмического назначения проходит испытания и сертификацию в лаборатории (по согласованию с заказчиком);
- Поставка специализированных компонентов военного и аэрокосмического уровня качества (Xilinx, Altera, Analog Devices, Intersil, Interpoint, Microsemi, Actel, Aeroflex, Peregrine, VPT, Syfer, Eurofarad, Texas Instruments, MS Kennedy, Miteq, Cobham, E2V, MA-COM, Hittite, Mini-Circuits, General Dynamics и др.);

Компания «Океан Электроники» является официальным дистрибьютором и эксклюзивным представителем в России одного из крупнейших производителей разъемов военного и аэрокосмического назначения «JONHON», а так же официальным дистрибьютором и эксклюзивным представителем в России производителя высокотехнологичных и надежных решений для передачи СВЧ сигналов «FORSTAR».



JONHON

«JONHON» (основан в 1970 г.)

Разъемы специального, военного и аэрокосмического назначения:

(Применяются в военной, авиационной, аэрокосмической, морской, железнодорожной, горно- и нефтедобывающей отраслях промышленности)

«FORSTAR» (основан в 1998 г.)

ВЧ соединители, коаксиальные кабели, кабельные сборки и микроволновые компоненты:

(Применяются в телекоммуникациях гражданского и специального назначения, в средствах связи, РЛС, а так же военной, авиационной и аэрокосмической отраслях промышленности).



Телефон: 8 (812) 309-75-97 (многоканальный)

Факс: 8 (812) 320-03-32

Электронная почта: ocean@oceanchips.ru

Web: <http://oceanchips.ru/>

Адрес: 198099, г. Санкт-Петербург, ул. Калинина, д. 2, корп. 4, лит. А