

Kxxxzy SIDAC

RoHS



Description

The SIDAC is a silicon bilateral voltage triggered switch. Upon application of a voltage exceeding the SIDAC breakover voltage point, the SIDAC switches on through a negative resistance region to a low on-state voltage. Conduction continues until the current is interrupted or drops below the minimum holding current of the device.

SIDACs feature glass-passivated junctions to ensure a rugged and dependable device capable of withstanding harsh environments.

Features

- AC Circuit Oriented
- RoHS Compliant
- Triggering Voltage of 79V to 330V

Applications

Suitable for high voltage power supplies, natural gas igniters, high-pressure Sodium lamps, and Xenon flash ignition.

Schematic Symbol



Electrical Specifications (T_j = 25°C, unless otherwise specified)

| Symbol | Parameters | Test Conditions | Min | Max | Unit |
|------------------|-----------------------------------|-----------------|-----|-----|------|
| V _{BO} | Breakover/Trigger Voltage | K0900y | 79 | 97 | V |
| | | K1050y | 95 | 113 | |
| | | K1100y | 104 | 118 | |
| | | K1200y | 110 | 125 | |
| | | K1300y | 120 | 138 | |
| | | K1400y | 130 | 146 | |
| | | K1500y | 140 | 170 | |
| | | K1800y | 165 | 195 | |
| | | K200zy | 190 | 215 | |
| | | K220zy | 205 | 230 | |
| | | K240zy | 220 | 250 | |
| | | K250zy | 240 | 280 | |
| K300zy | 270 | 330 | | | |
| V _{DRM} | Repetitive Peak Off-state Voltage | K0900y | 70 | | V |
| | | K1050y | 90 | | |
| | | K1100y | 90 | | |
| | | K1200y | 90 | | |
| | | K1300y | 90 | | |
| | | K1400y | 90 | | |
| | | K1500y | 90 | | |
| | | K1800y | 140 | | |
| | | K200zy | 180 | | |
| | | K220zy | 180 | | |
| | | K240zy | 190 | | |
| | | K250zy | 200 | | |
| K300zy | 200 | | | | |

Note: xxx = voltage, z = circuit function, y = package

Electrical Specifications ($T_J = 25^\circ\text{C}$, unless otherwise specified)

| Symbol | Parameters | Test Conditions | Min | Max | Unit |
|-----------------|---|--|--------|------|---------------------------|
| $I_{T(RMS)}$ | On-state RMS Current | 50/60Hz, $T_J < 125^\circ\text{C}$ | | 1 | A |
| I_{DRM} | Repetitive Peak Off-state Current | $V = V_{DRM}$ 50/60Hz Sine Wave | | 5 | μA |
| V_{TM} | Peak On-state Voltage | $I_T = 1\text{A}$ | Kxxx0y | 1.5 | V |
| | | | Kxxx2y | 3.0 | |
| I_H | Dynamic Holding Current | $R_L = 100\Omega$ 50/60Hz Sine Wave | | 150 | mA |
| R_S | Switching Resistance, $R_S = \frac{(V_{BO} - V_S)}{(I_S - I_{BO})}$ | 50/60Hz Sine Wave | 100 | | Ω |
| I_{BO} | Breakover Current | 50/60Hz Sine Wave | | 10 | μA |
| I_{TRM} | Peak Repetitive Pulse Current (refer to figure 4) | $t_p = 10\mu\text{s}$ | 60Hz | 80 | A |
| | | | 5Hz | 160 | |
| I_{TSM} | Peak Non-repetitive Surge Current (refer to figure 5) | Single Cycle | 60Hz | 20 | A |
| | | | 50Hz | 16.7 | |
| di/dt | Critical Rate of Rise of On-state Current | | | 150 | A/ μs |
| dv/dt | Critical Rate of Rise of Off-state Voltage | | 1500 | | V/ μs |
| T_S | Storage Temperature Range | | -40 | 150 | $^\circ\text{C}$ |
| T_J | Junction Temperature Range | | -40 | 125 | $^\circ\text{C}$ |
| $R_{\theta JL}$ | Thermal Resistance, Junction to Lead | DO-15 | | 18 | $^\circ\text{C}/\text{W}$ |
| | | DO-214 (1) | | 30 | |
| $R_{\theta JC}$ | Thermal Resistance, Junction to Case | TO-92 | | 35 | $^\circ\text{C}/\text{W}$ |
| $R_{\theta JA}$ | Thermal Resistance, Junction to Ambient | DO-15 | | 75 | $^\circ\text{C}/\text{W}$ |
| | | TO-92 | | 95 | |

Notes: xxx = voltage, z = circuit function, y = package
(1) Mounted on 1 cm² copper foil surface; two-ounce copper foil

Additional Information



Datasheet



Resources



Samples

Figure 1: V-I Characteristics



Figure 2: On-state Current vs. On-state Voltage (Typical)



Figure 3: Power Dissipation vs. On-state Current (Typical)



Figure 4: Repetitive Peak On-state Current (I_TRM) vs. Pulse Width at Various Frequencies



Figure 5: Peak Non-repetitive Surge Current (I_TSM) vs. Number of Cycles

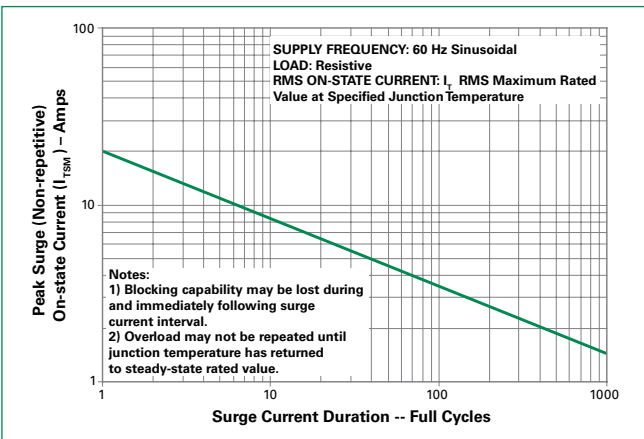


Figure 6: Normalized V_BO Change vs. Junction Temperature

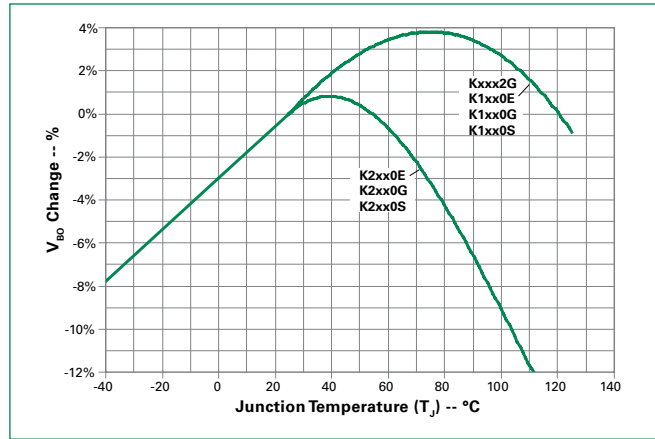


Figure 7: Normalized DC Holding Current vs. Junction Temperature



Figure 8: Maximum Allowable Case Temperature vs. RMS On-State Current



Figure 9: Maximum Allowable Ambient Temperature vs. RMS On-State Current



Figure 10: Normalized Repetitive Peak Breakover Current (I_{BO}) vs. Junction Temperature



Figure 11: Dynamic Holding Current Test Circuit for SIDACs



Figure 12: Basic SIDAC Circuit



Figure 13: Relaxation Oscillator Using a SIDAC



Figure 14: Low-voltage Input Circuit for Gas Ignition



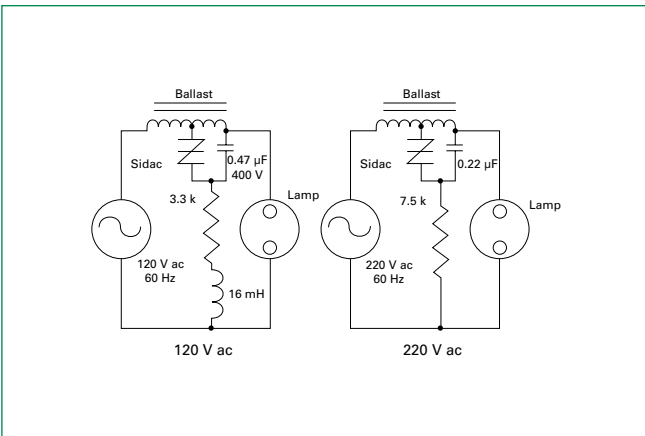
Figure 15: Comparison of SIDAC versus SCR for Gas Ignitor Circuit



Figure 16: Xenon Lamp Flashing Circuit



Figure 17: Typical High-pressure Sodium Lamp Firing Circuit



Soldering Parameters

| | | |
|--|------------------------------------|-------------------------|
| Reflow Condition | | Pb – Free assembly |
| Pre Heat | - Temperature Min ($T_{s(min)}$) | 150°C |
| | - Temperature Max ($T_{s(max)}$) | 200°C |
| | - Time (min to max) (t_s) | 60 – 180 secs |
| Average ramp up rate (Liquidus Temp) (T_L) to peak | | 5°C/second max |
| $T_{s(max)}$ to T_L - Ramp-up Rate | | 5°C/second max |
| Reflow | - Temperature (T_L) (Liquidus) | 217°C |
| | - Temperature (t_L) | 60 – 150 seconds |
| Peak Temperature (T_p) | | 260 ^{+0/-5} °C |
| Time within 5°C of actual peak Temperature (t_p) | | 20 – 40 seconds |
| Ramp-down Rate | | 5°C/second max |
| Time 25°C to peak Temperature (T_p) | | 8 minutes Max. |
| Do not exceed | | 280°C |



Physical Specifications

| | |
|------------------------|---|
| Terminal Finish | 100% Matte Tin Plated / Pb-free Solder Dipped |
| Body Material | UL recognized epoxy meeting flammability classification 94V-0 |
| Lead Material | Copper Alloy |

Design Considerations

Careful selection of the correct device for the application's operating parameters and environment will go a long way toward extending the operating life of the Thyristor. Overheating and surge currents are the main killers of SIDACs. Correct mounting, soldering, and forming of the leads also help protect against component damage.

Reliability/Environmental Tests

| Test | Specifications and Conditions |
|--|---|
| High Temperature Voltage Blocking | MIL-STD-750: Method 1040, Condition A Rated V_{DRM} (VAC-peak), 125°C, 1008 hours |
| Temperature Cycling | MIL-STD-750: Method 1051 -40°C to 150°C, 15-minute dwell, 100 cycles |
| Biased Temperature & Humidity | EIA/JEDEC: JESD22-A101 80% min V_{BO} (V_{DC}), 85°C, 85% RH, 1008 hours |
| High Temp Storage | MIL-STD-750: Method 1031 150°C, 1008 hours |
| Low-Temp Storage | -40°C, 1008 hours |
| Thermal Shock | MIL-STD-750: Method 1056 0°C to 100°C, 5-minute dwell, 10-second transfer, 10 cycles |
| Autoclave (Pressure Cooker Test) | EIA/JEDEC: JESD22-A102 121°C, 100% RH, 2atm, 168 hours |
| Resistance to Solder Heat | MIL-STD-750: Method 2031 260°C, 10 seconds |
| Solderability | ANSI/J-STD-002: Category 3 |
| Lead Bend | MIL-STD-750: Method 2036, Condition E |

Dimensions – DO-214



| Dimension | Inches | | Millimeters | |
|-----------|--------|-------|-------------|------|
| | Max | Max | Min | Max |
| A | 0.130 | 0.156 | 3.30 | 3.95 |
| B | 0.201 | 0.220 | 5.10 | 5.60 |
| C | 0.077 | 0.087 | 1.95 | 2.20 |
| D | 0.159 | 0.181 | 4.05 | 4.60 |
| E | 0.030 | 0.063 | 0.75 | 1.60 |
| F | 0.075 | 0.096 | 1.90 | 2.45 |
| G | 0.002 | 0.008 | 0.05 | 0.20 |
| H | 0.077 | 0.104 | 1.95 | 2.65 |
| K | 0.006 | 0.016 | 0.15 | 0.41 |

Dimensions – DO-15



| Dimension | Inches | | Millimeters | |
|-----------|--------|-------|-------------|-------|
| | Max | Max | Min | Max |
| ϕB | 0.028 | 0.034 | 0.711 | 0.864 |
| ϕD | 0.120 | 0.140 | 3.048 | 3.556 |
| G | 0.235 | 0.270 | 5.969 | 6.858 |
| L | 1.000 | | 25.400 | |

Dimensions — TO-92 with Type 70 Lead Form



| Dimension | Inches | | Millimeters | |
|-----------|--------|-------|-------------|------|
| | Max | Max | Min | Max |
| A | 0.176 | 0.196 | 4.47 | 4.98 |
| B | 0.500 | | 12.70 | |
| D | 0.095 | 0.105 | 2.41 | 2.67 |
| E | 0.150 | | 3.81 | |
| F | 0.046 | 0.054 | 1.16 | 1.37 |
| G | 0.135 | 0.145 | 3.43 | 3.68 |
| H | 0.088 | 0.096 | 2.23 | 2.44 |
| J | 0.176 | 0.186 | 4.47 | 4.73 |
| K | 0.088 | 0.096 | 2.23 | 2.44 |
| L | 0.013 | 0.019 | 0.33 | 0.48 |
| M | 0.013 | 0.017 | 0.33 | 0.43 |
| N | | 0.060 | | 1.52 |

Notes:

1. Type 70 lead form as shown is standard for the E package.
2. All leads are insulated from case. Case is electrically nonconductive (rated at 16000V ac rms for one minute from leads to case over the operating temperature range.)
3. Mold flash shall not exceed 0.13 mm per side.

Product Selector

| Part Number | Switching Voltage Range | | Blocking Voltage | Packages | | |
|-------------|-------------------------|------------------|------------------|----------|--------|----------|
| | V_{BO} Minimum | V_{BO} Maximum | V_{DRM} | DO-15 | DO-214 | TO-92 |
| K0900y | 79V | 97V | 70V | K0900G | K0900S | K0900E70 |
| K1050y | 95V | 113V | 90V | K1050G | K1050S | K1050E70 |
| K1100y | 104V | 118V | 90V | K1100G | K1100S | K1100E70 |
| K1200y | 110V | 125V | 90V | K1200G | K1200S | K1200E70 |
| K1300y | 120V | 138V | 90V | K1300G | K1300S | K1300E70 |
| K1400y | 130V | 146V | 90V | K1400G | K1400S | K1400E70 |
| K1500y | 140V | 170V | 90V | K1500G | K1500S | K1500E70 |
| K1800y | 165V | 195V | 140V | | K1800S | |
| K2000y | 190V | 215V | 180V | K2000G | K2000S | K2000E70 |
| K2002y | 190V | 215V | 180V | K2002G | | |
| K2200y | 205V | 230V | 180V | K2200G | K2200S | K2200E70 |
| K2202y | 205V | 230V | 180V | K2202G | | |
| K2400y | 220V | 250V | 190V | K2400G | K2400S | K2400E70 |
| K2402y | 220V | 250V | 190V | K2402G | | |
| K2500y | 240V | 280V | 200V | K2500G | K2500S | K2500E70 |
| K2502y | 240V | 280V | 200V | K2502G | | |
| K3002y | 270V | 330V | 200V | K3002G | | |

Note: y = package

Packing Options

| Part Number | Marking | Weight | Packaging Mode | Base Quantity |
|-------------|---------|--------|----------------|---------------|
| Kxxx0G | Kxxx0G | 0.38g | Bulk | 1000 |
| Kxxx0GRP | Kxxx0G | 0.38g | Reel Pack | 5000 |
| Kxxx2G | Kxxx2G | 0.38g | Bulk | 1000 |
| Kxxx2GRP | Kxxx2G | 0.38g | Reel Pack | 5000 |
| Kxxx0SRP | KxxS | 0.1g | Reel Pack | 2500 |
| Kxxx0E70 | Kxxx0E | 0.17g | Bulk | 2000 |
| Kxxx0E70AP | Kxxx0E | 0.17g | Ammo Pack | 2000 |
| Kxxx0E70RP2 | Kxxx0E | 0.17g | Reel Pack | 2000 |
| Kxxx0E70RP3 | Kxxx0E | 0.17g | Reel Pack | 2000 |

Note: xxx or xx = voltage

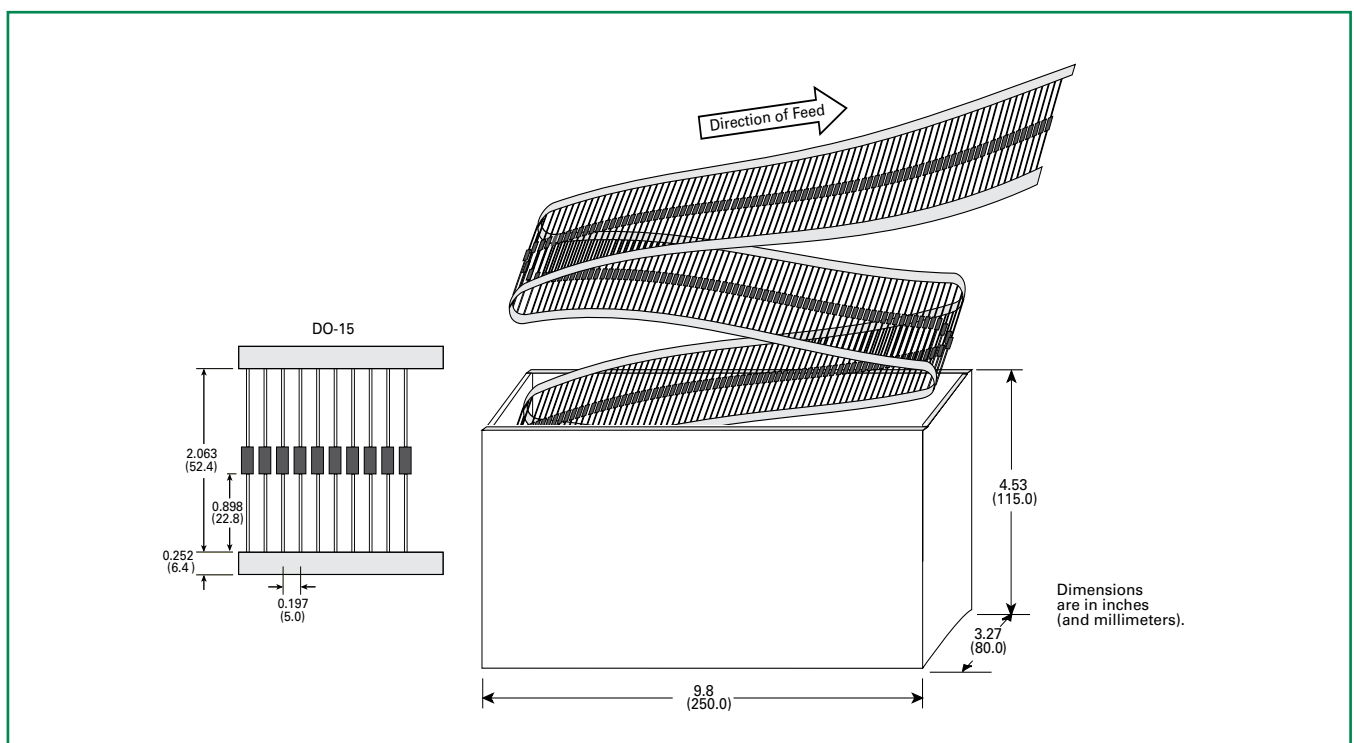
DO-214 Embossed Carrier Reel Pack (RP) Specifications



DO-15 Reel Pack (RP) Specifications



DO-15 Ammo Pack (AP) Specifications



TO-92 Type 70 Reel Pack (RP3) Radial Leaded Specifications



TO-92 Type 70 Reel Pack (RP2) Radial Leaded Specifications



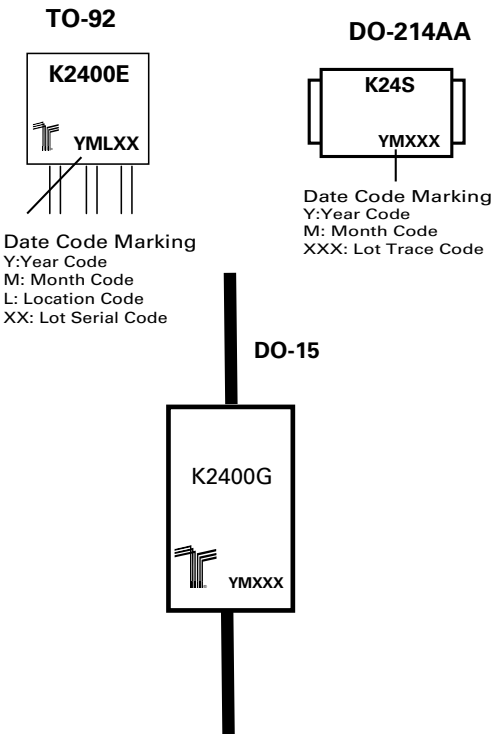
TO-92 Type 70 Ammo Pack (AP) Radial Leaded Specifications



Part Numbering System



Part Marking System



Компания «Океан Электроники» предлагает заключение долгосрочных отношений при поставках импортных электронных компонентов на взаимовыгодных условиях!

Наши преимущества:

- Поставка оригинальных импортных электронных компонентов напрямую с производств Америки, Европы и Азии, а так же с крупнейших складов мира;
- Широкая линейка поставок активных и пассивных импортных электронных компонентов (более 30 млн. наименований);
- Поставка сложных, дефицитных, либо снятых с производства позиций;
- Оперативные сроки поставки под заказ (от 5 рабочих дней);
- Экспресс доставка в любую точку России;
- Помощь Конструкторского Отдела и консультации квалифицированных инженеров;
- Техническая поддержка проекта, помощь в подборе аналогов, поставка прототипов;
- Поставка электронных компонентов под контролем ВП;
- Система менеджмента качества сертифицирована по Международному стандарту ISO 9001;
- При необходимости вся продукция военного и аэрокосмического назначения проходит испытания и сертификацию в лаборатории (по согласованию с заказчиком);
- Поставка специализированных компонентов военного и аэрокосмического уровня качества (Xilinx, Altera, Analog Devices, Intersil, Interpoint, Microsemi, Actel, Aeroflex, Peregrine, VPT, Syfer, Eurofarad, Texas Instruments, MS Kennedy, Miteq, Cobham, E2V, MA-COM, Hittite, Mini-Circuits, General Dynamics и др.);

Компания «Океан Электроники» является официальным дистрибьютором и эксклюзивным представителем в России одного из крупнейших производителей разъемов военного и аэрокосмического назначения «JONHON», а так же официальным дистрибьютором и эксклюзивным представителем в России производителя высокотехнологичных и надежных решений для передачи СВЧ сигналов «FORSTAR».



JONHON

«JONHON» (основан в 1970 г.)

Разъемы специального, военного и аэрокосмического назначения:

(Применяются в военной, авиационной, аэрокосмической, морской, железнодорожной, горно- и нефтедобывающей отраслях промышленности)

«FORSTAR» (основан в 1998 г.)

ВЧ соединители, коаксиальные кабели, кабельные сборки и микроволновые компоненты:

(Применяются в телекоммуникациях гражданского и специального назначения, в средствах связи, РЛС, а так же военной, авиационной и аэрокосмической отраслях промышленности).



Телефон: 8 (812) 309-75-97 (многоканальный)

Факс: 8 (812) 320-03-32

Электронная почта: ocean@oceanchips.ru

Web: <http://oceanchips.ru/>

Адрес: 198099, г. Санкт-Петербург, ул. Калинина, д. 2, корп. 4, лит. А