

## Important notice

Dear Customer,

On 7 February 2017 the former NXP Standard Product business became a new company with the tradename **Nexperia**. Nexperia is an industry leading supplier of Discrete, Logic and PowerMOS semiconductors with its focus on the automotive, industrial, computing, consumer and wearable application markets

In data sheets and application notes which still contain NXP or Philips Semiconductors references, use the references to Nexperia, as shown below.

Instead of <http://www.nxp.com>, <http://www.philips.com/> or <http://www.semiconductors.philips.com/>, use <http://www.nexperia.com>

Instead of [sales.addresses@www.nxp.com](mailto:sales.addresses@www.nxp.com) or [sales.addresses@www.semiconductors.philips.com](mailto:sales.addresses@www.semiconductors.philips.com), use [salesaddresses@nexperia.com](mailto:salesaddresses@nexperia.com) (email)

Replace the copyright notice at the bottom of each page or elsewhere in the document, depending on the version, as shown below:

- © NXP N.V. (year). All rights reserved or © Koninklijke Philips Electronics N.V. (year). All rights reserved

Should be replaced with:

- © **Nexperia B.V. (year). All rights reserved.**

If you have any questions related to the data sheet, please contact our nearest sales office via e-mail or telephone (details via [salesaddresses@nexperia.com](mailto:salesaddresses@nexperia.com)). Thank you for your cooperation and understanding,

Kind regards,

Team Nexperia

# PDTA115T series

PNP resistor-equipped transistors; R1 = 100 k $\Omega$ , R2 = open

Rev. 05 — 2 September 2009

Product data sheet

## 1. Product profile

### 1.1 General description

PNP resistor-equipped transistors.

Table 1. Product overview

| Type number              | Package       |        | NPN complement |
|--------------------------|---------------|--------|----------------|
|                          | NXP           | JEITA  |                |
| PDTA115TE                | SOT416        | SC-75  | PDTC115TE      |
| PDTA115TK                | SOT346        | SC-59  | PDTC115TK      |
| PDTA115TM                | SOT883        | SC-101 | PDTC115TM      |
| PDTA115TS <sup>[1]</sup> | SOT54 (TO-92) | SC-43A | PDTC115TS      |
| PDTA115TT                | SOT23         | -      | PDTC115TT      |
| PDTA115TU                | SOT323        | SC-70  | PDTC115TU      |

[1] Also available in SOT54A and SOT54 variant packages (see [Section 2](#))

### 1.2 Features

- Built-in bias resistors
- Reduces component count
- Simplifies circuit design
- Reduces pick and place costs

### 1.3 Applications

- General purpose switching and amplification
- Circuit drivers
- Inverter and interface circuits

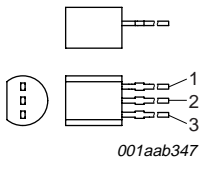
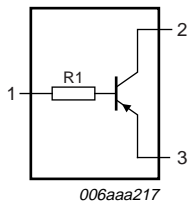
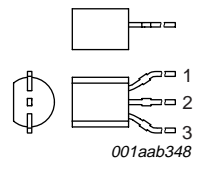
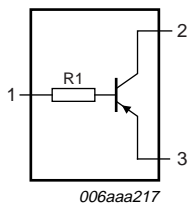
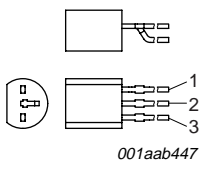
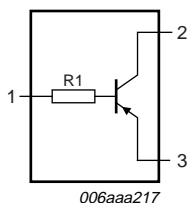
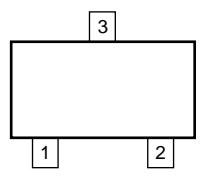
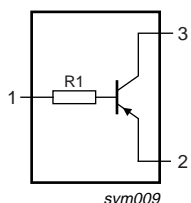
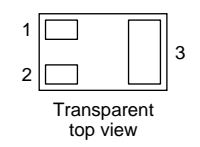
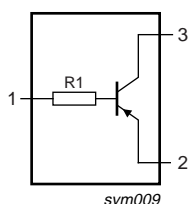
### 1.4 Quick reference data

Table 2. Quick reference data

| Symbol    | Parameter                 | Conditions | Min | Typ | Max  | Unit       |
|-----------|---------------------------|------------|-----|-----|------|------------|
| $V_{CE0}$ | collector-emitter voltage | open base  | -   | -   | -50  | V          |
| $I_O$     | output current (DC)       |            | -   | -   | -100 | mA         |
| R1        | bias resistor 1 (input)   |            | 70  | 100 | 130  | k $\Omega$ |

**2. Pinning information**

**Table 3. Pinning**

| Pin                                  | Description        | Simplified outline                                                                                               | Symbol                                                                                                 |
|--------------------------------------|--------------------|------------------------------------------------------------------------------------------------------------------|--------------------------------------------------------------------------------------------------------|
| <b>SOT54</b>                         |                    |                                                                                                                  |                                                                                                        |
| 1                                    | input (base)       |  <p>001aab347</p>              |  <p>006aaa217</p>   |
| 2                                    | output (collector) |                                                                                                                  |                                                                                                        |
| 3                                    | GND (emitter)      |                                                                                                                  |                                                                                                        |
| <b>SOT54A</b>                        |                    |                                                                                                                  |                                                                                                        |
| 1                                    | input (base)       |  <p>001aab348</p>              |  <p>006aaa217</p>  |
| 2                                    | output (collector) |                                                                                                                  |                                                                                                        |
| 3                                    | GND (emitter)      |                                                                                                                  |                                                                                                        |
| <b>SOT54 variant</b>                 |                    |                                                                                                                  |                                                                                                        |
| 1                                    | input (base)       |  <p>001aab447</p>            |  <p>006aaa217</p> |
| 2                                    | output (collector) |                                                                                                                  |                                                                                                        |
| 3                                    | GND (emitter)      |                                                                                                                  |                                                                                                        |
| <b>SOT23, SOT323, SOT346, SOT416</b> |                    |                                                                                                                  |                                                                                                        |
| 1                                    | input (base)       |  <p>006aaa144</p>            |  <p>sym009</p>    |
| 2                                    | GND (emitter)      |                                                                                                                  |                                                                                                        |
| 3                                    | output (collector) |                                                                                                                  |                                                                                                        |
| <b>SOT883</b>                        |                    |                                                                                                                  |                                                                                                        |
| 1                                    | input (base)       |  <p>Transparent top view</p> |  <p>sym009</p>    |
| 2                                    | GND (emitter)      |                                                                                                                  |                                                                                                        |
| 3                                    | output (collector) |                                                                                                                  |                                                                                                        |

### 3. Ordering information

Table 4. Ordering information

| Type number              | Package |                                                                               | Version |
|--------------------------|---------|-------------------------------------------------------------------------------|---------|
|                          | Name    | Description                                                                   |         |
| PDTA115TE                | SC-75   | plastic surface mounted package; 3 leads                                      | SOT416  |
| PDTA115TK                | SC-59   | plastic surface mounted package; 3 leads                                      | SOT346  |
| PDTA115TM                | SC-101  | leadless ultra small plastic package; 3 solder lands; body 1.0 × 0.6 × 0.5 mm | SOT883  |
| PDTA115TS <sup>[1]</sup> | SC-43A  | plastic single-ended leaded (through hole) package; 3 leads                   | SOT54   |
| PDTA115TT                | -       | plastic surface mounted package; 3 leads                                      | SOT23   |
| PDTA115TU                | SC-70   | plastic surface mounted package; 3 leads                                      | SOT323  |

[1] Also available in SOT54A and SOT54 variant packages (see [Section 2](#) and [Section 9](#)).

### 4. Marking

Table 5. Marking codes

| Type number | Marking code <sup>[1]</sup> |
|-------------|-----------------------------|
| PDTA115TE   | 12                          |
| PDTA115TK   | 11                          |
| PDTA115TM   | E8                          |
| PDTA115TS   | TA115T                      |
| PDTA115TT   | *AC                         |
| PDTA115TU   | *11                         |

[1] \* = -: made in Hong Kong  
 \* = p: made in Hong Kong  
 \* = t: made in Malaysia  
 \* = W: made in China

## 5. Limiting values

**Table 6. Limiting values**

In accordance with the Absolute Maximum Rating System (IEC 60134).

| Symbol           | Parameter                 | Conditions               | Min      | Max  | Unit |
|------------------|---------------------------|--------------------------|----------|------|------|
| V <sub>CBO</sub> | collector-base voltage    | open emitter             | -        | -50  | V    |
| V <sub>CEO</sub> | collector-emitter voltage | open base                | -        | -50  | V    |
| V <sub>EBO</sub> | emitter-base voltage      | open collector           | -        | -5   | V    |
| I <sub>O</sub>   | output current (DC)       |                          | -        | -100 | mA   |
| I <sub>CM</sub>  | peak collector current    |                          | -        | -100 | mA   |
| P <sub>tot</sub> | total power dissipation   | T <sub>amb</sub> ≤ 25 °C |          |      |      |
|                  | SOT416                    |                          | [1] -    | 150  | mW   |
|                  | SOT346                    |                          | [1] -    | 250  | mW   |
|                  | SOT883                    |                          | [2][3] - | 250  | mW   |
|                  | SOT54                     |                          | [1] -    | 500  | mW   |
|                  | SOT23                     |                          | [1] -    | 250  | mW   |
|                  | SOT323                    |                          | [1] -    | 200  | mW   |
| T <sub>stg</sub> | storage temperature       |                          | -65      | +150 | °C   |
| T <sub>j</sub>   | junction temperature      |                          | -        | 150  | °C   |
| T <sub>amb</sub> | ambient temperature       |                          | -65      | +150 | °C   |

[1] Refer to standard mounting conditions.

[2] Reflow soldering is the only recommended soldering method.

[3] Refer to SOT883 standard mounting conditions; FR4 printed-circuit board with 60  $\mu$ m copper strip line.

## 6. Thermal characteristics

**Table 7. Thermal characteristics**

| Symbol               | Parameter                                   | Conditions  | Min      | Typ | Max | Unit |
|----------------------|---------------------------------------------|-------------|----------|-----|-----|------|
| R <sub>th(j-a)</sub> | thermal resistance from junction to ambient | in free air |          |     |     |      |
|                      | SOT416                                      |             | [1] -    | -   | 833 | K/W  |
|                      | SOT346                                      |             | [1] -    | -   | 500 | K/W  |
|                      | SOT883                                      |             | [2][3] - | -   | 500 | K/W  |
|                      | SOT54                                       |             | [1] -    | -   | 250 | K/W  |
|                      | SOT23                                       |             | [1] -    | -   | 500 | K/W  |
|                      | SOT323                                      |             | [1] -    | -   | 625 | K/W  |

[1] Refer to standard mounting conditions.

[2] Reflow soldering is the only recommended soldering method.

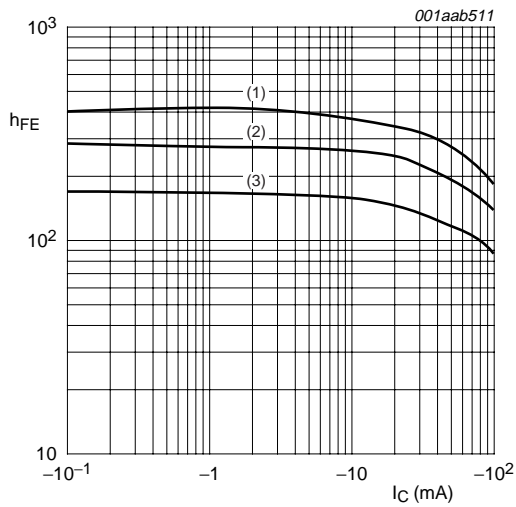
[3] Refer to SOT883 standard mounting conditions; FR4 printed-circuit board with 60  $\mu$ m copper strip line.

## 7. Characteristics

**Table 8. Characteristics**

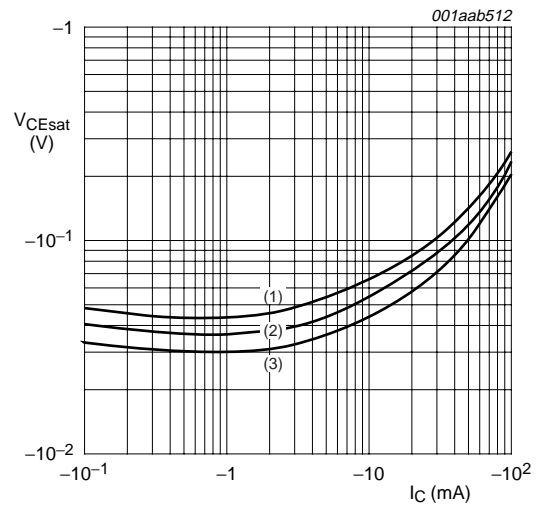
$T_{amb} = 25\text{ °C}$  unless otherwise specified

| Symbol      | Parameter                            | Conditions                                                        | Min | Typ | Max  | Unit |
|-------------|--------------------------------------|-------------------------------------------------------------------|-----|-----|------|------|
| $I_{CBO}$   | collector-base cut-off current       | $V_{CB} = -50\text{ V}; I_E = 0\text{ A}$                         | -   | -   | -100 | nA   |
| $I_{CEO}$   | collector-emitter cut-off current    | $V_{CE} = -30\text{ V}; I_B = 0\text{ A}$                         | -   | -   | -1   | μA   |
|             |                                      | $V_{CE} = -30\text{ V}; I_B = 0\text{ A}; T_j = 150\text{ °C}$    | -   | -   | -50  | μA   |
| $I_{EBO}$   | emitter-base cut-off current         | $V_{EB} = -5\text{ V}; I_C = 0\text{ A}$                          | -   | -   | -100 | nA   |
| $h_{FE}$    | DC current gain                      | $V_{CE} = -5\text{ V}; I_C = -1\text{ mA}$                        | 100 | -   | -    |      |
| $V_{CEsat}$ | collector-emitter saturation voltage | $I_C = -5\text{ mA}; I_B = -0.25\text{ mA}$                       | -   | -   | -150 | mV   |
| R1          | bias resistor 1 (input)              |                                                                   | 70  | 100 | 130  | kΩ   |
| $C_c$       | collector capacitance                | $V_{CB} = -10\text{ V}; I_E = i_e = 0\text{ A}; f = 1\text{ MHz}$ | -   | -   | 3    | pF   |



$V_{CE} = -5\text{ V}.$   
 (1)  $T_{amb} = 100\text{ °C}.$   
 (2)  $T_{amb} = 25\text{ °C}.$   
 (3)  $T_{amb} = -40\text{ °C}.$

**Fig 1. DC current gain as a function of collector current; typical values**



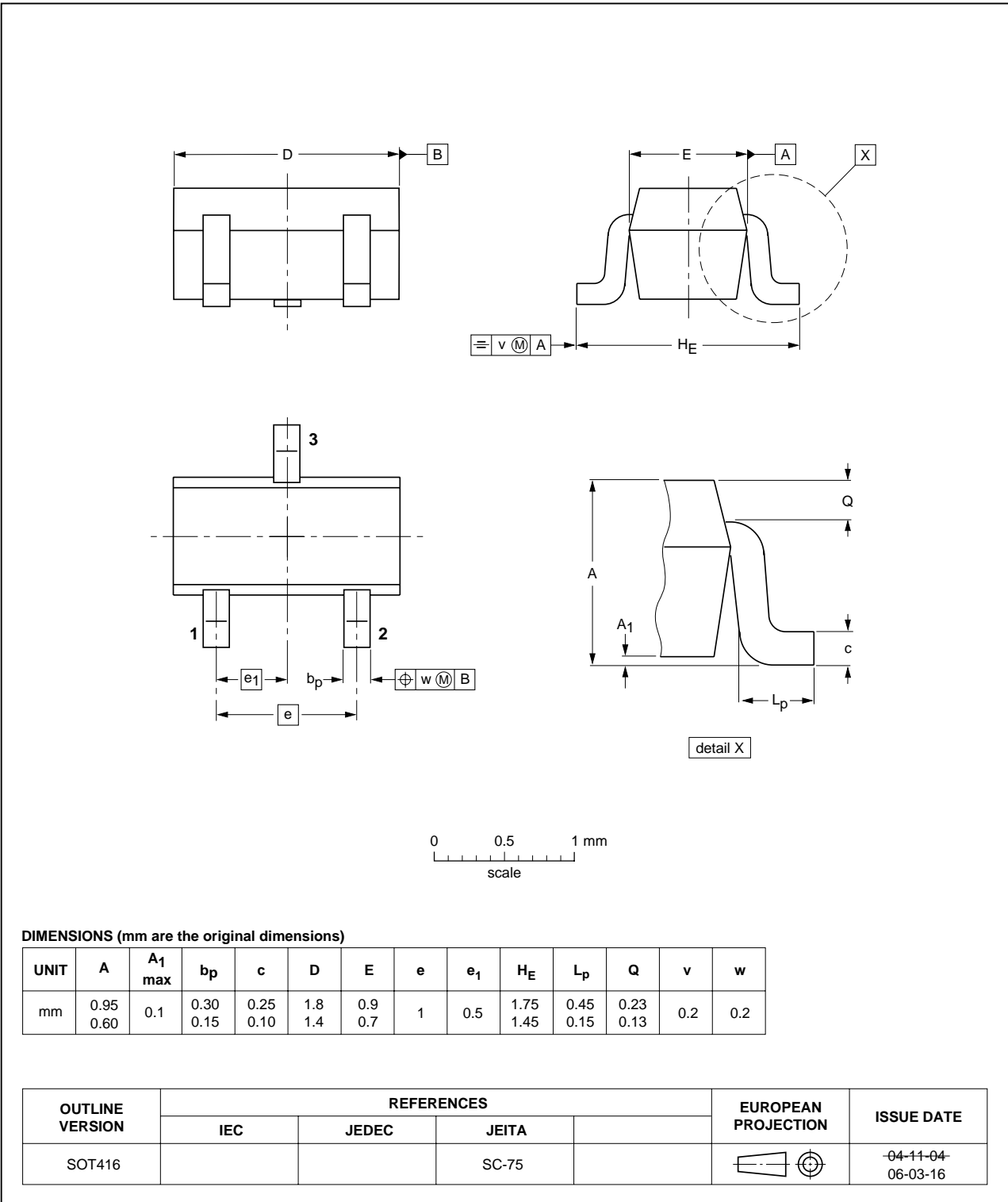
$I_C/I_B = 20.$   
 (1)  $T_{amb} = 100\text{ °C}.$   
 (2)  $T_{amb} = 25\text{ °C}.$   
 (3)  $T_{amb} = -40\text{ °C}.$

**Fig 2. Collector-emitter saturation voltage as a function of collector current; typical values**

**8. Package outline**

Plastic surface-mounted package; 3 leads

SOT416



**Fig 3. Package outline SOT416 (SC-75)**

Plastic surface-mounted package; 3 leads

SOT346

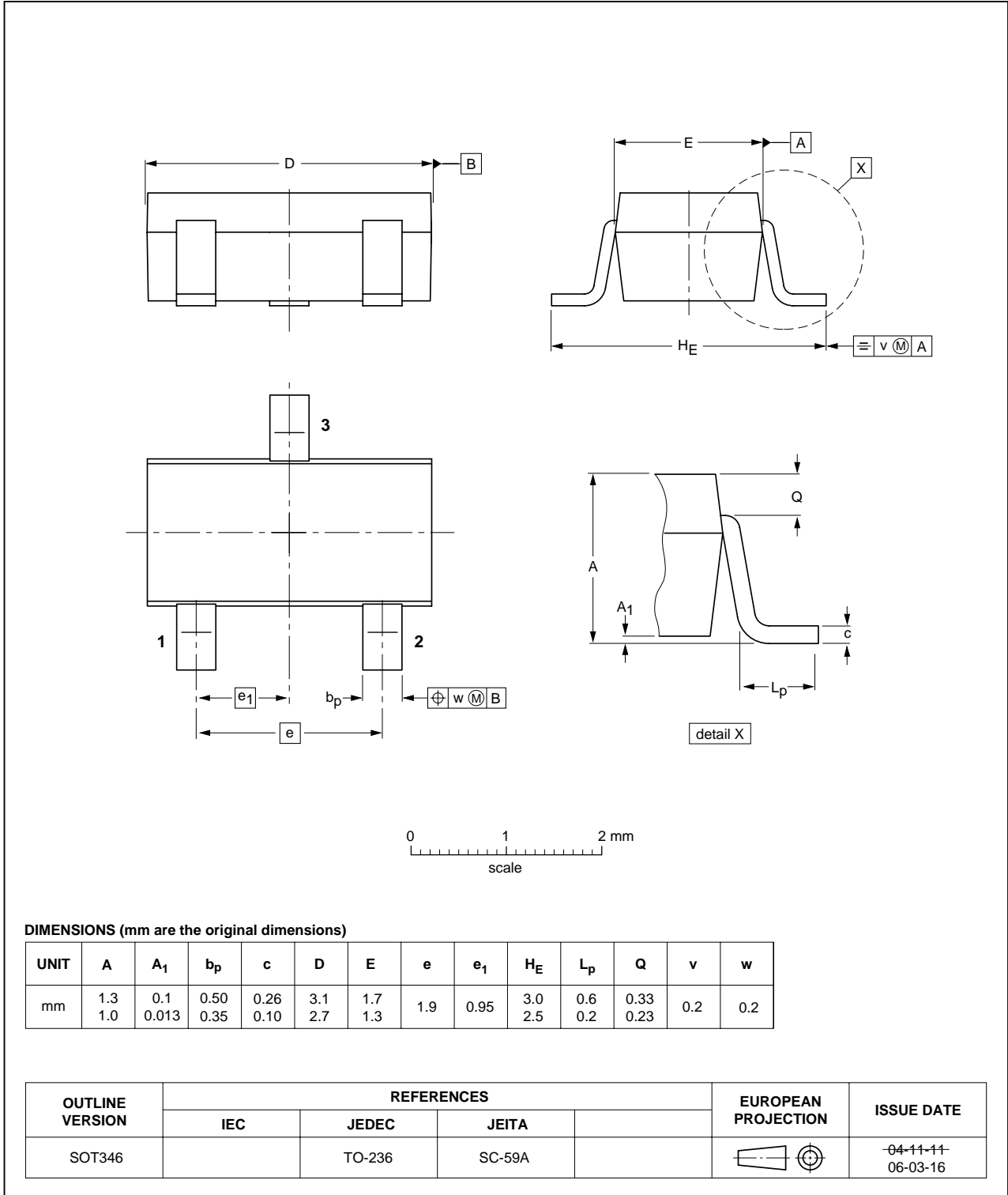


Fig 4. Package outline SOT346 (SC-59/TO-236)



Leadless ultra small plastic package; 3 solder lands; body 1.0 x 0.6 x 0.5 mm

SOT883

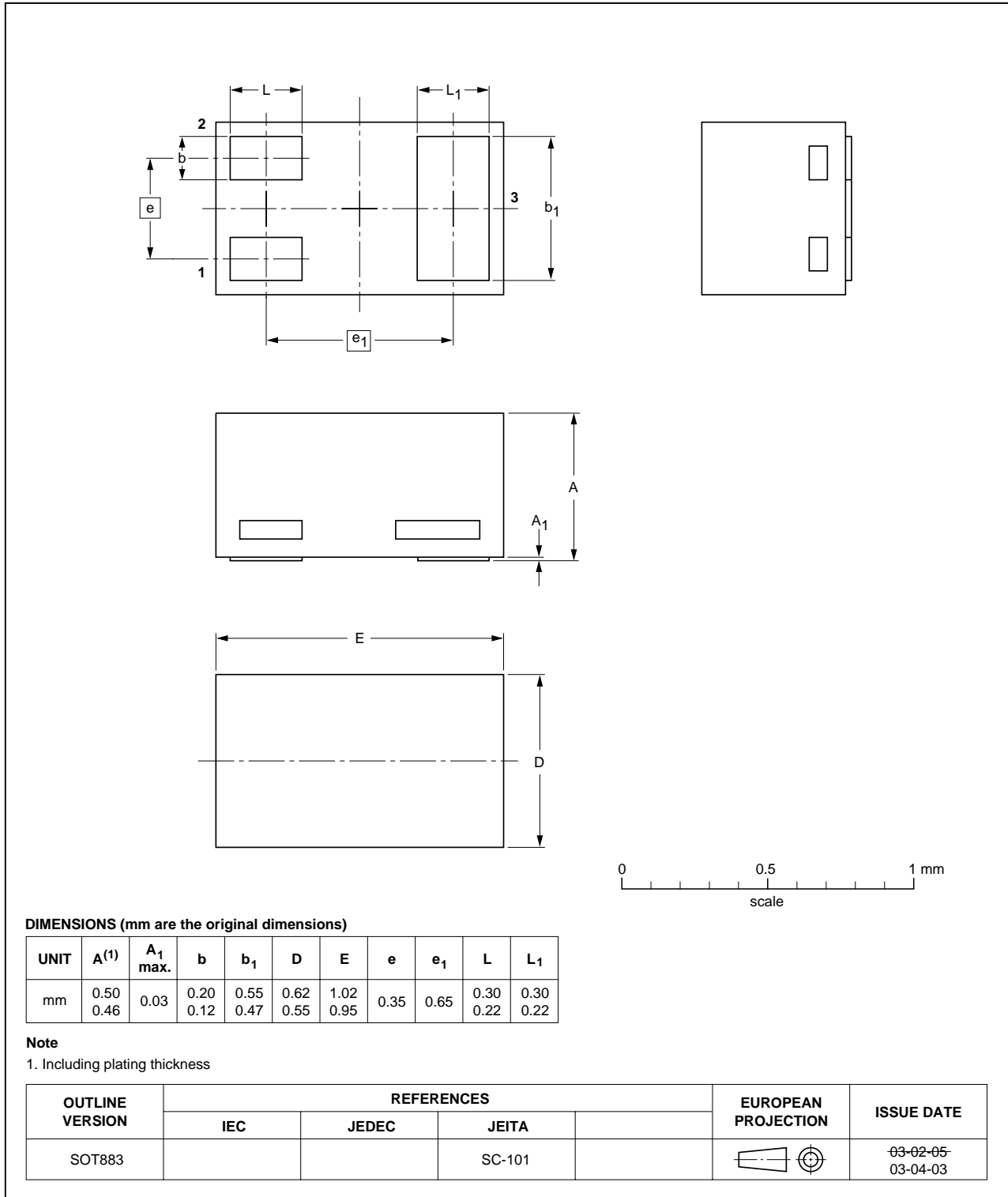


Fig 5. Package outline SOT883 (SC-101)

Plastic single-ended leaded (through hole) package; 3 leads

SOT54

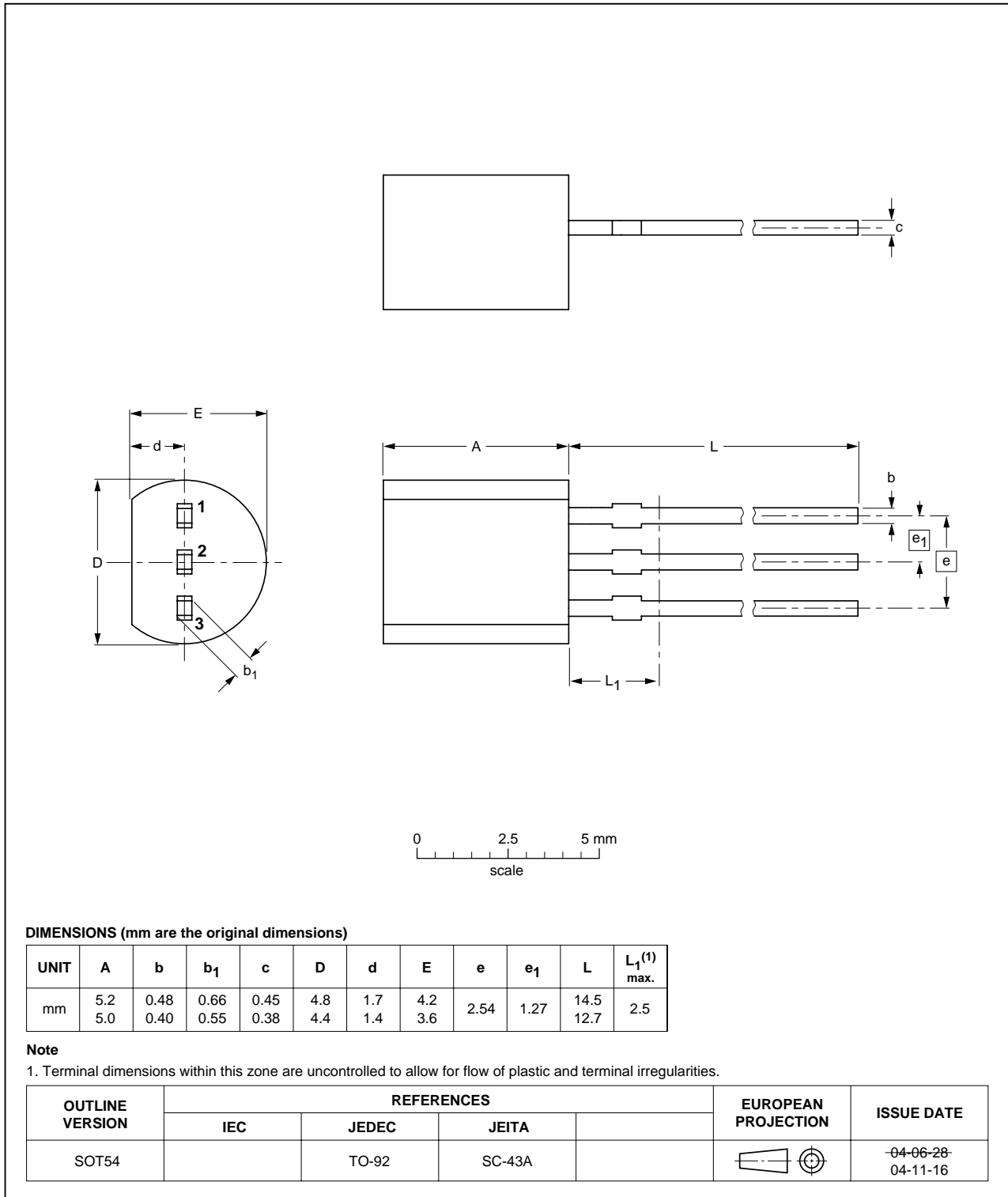


Fig 6. Package outline SOT54 (SC-43A/TO-92)

Plastic single-ended leaded (through hole) package; 3 leads (wide pitch)

SOT54A

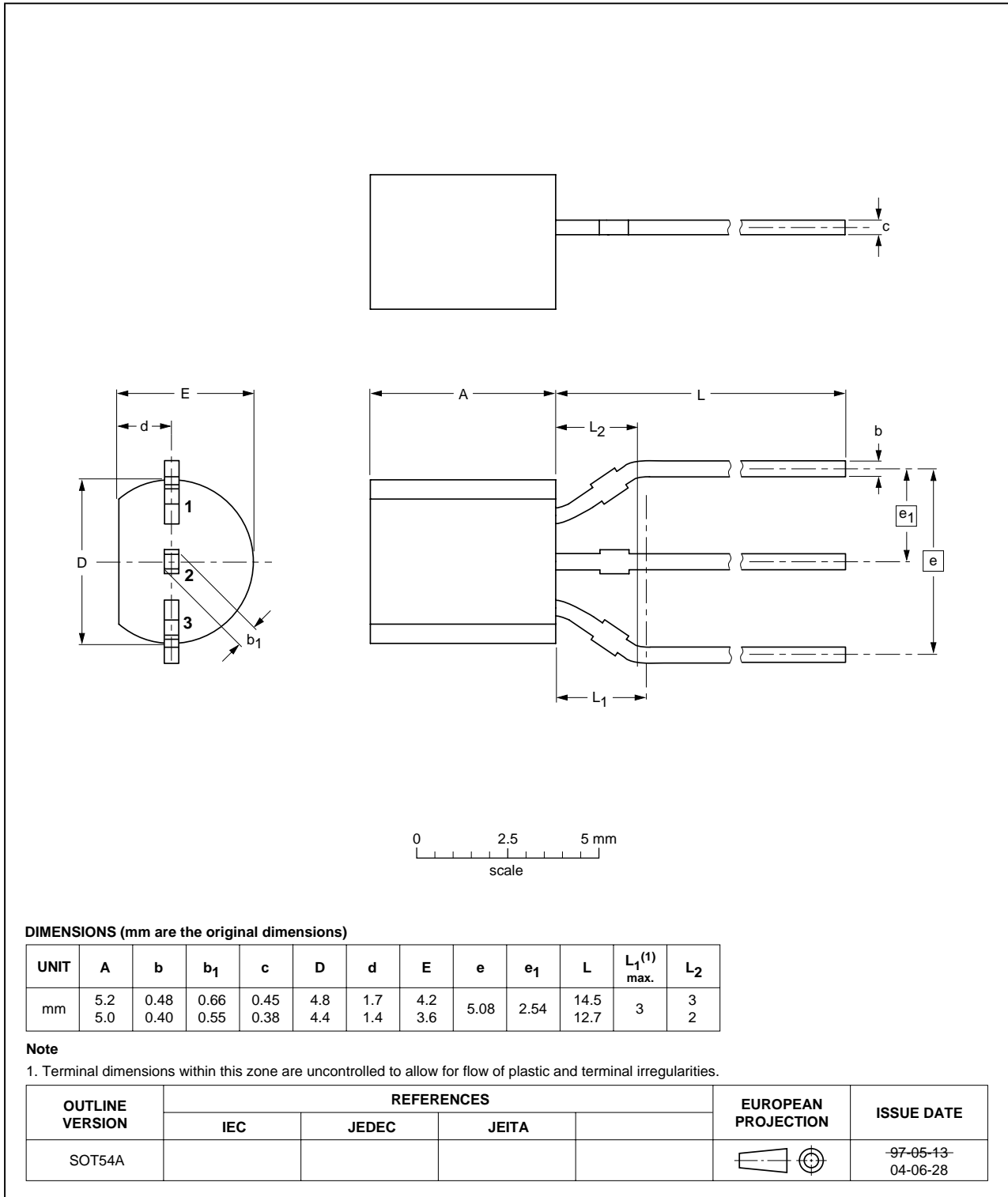


Fig 7. Package outline SOT54A

Plastic single-ended leaded (through hole) package; 3 leads (on-circle)

SOT54 variant

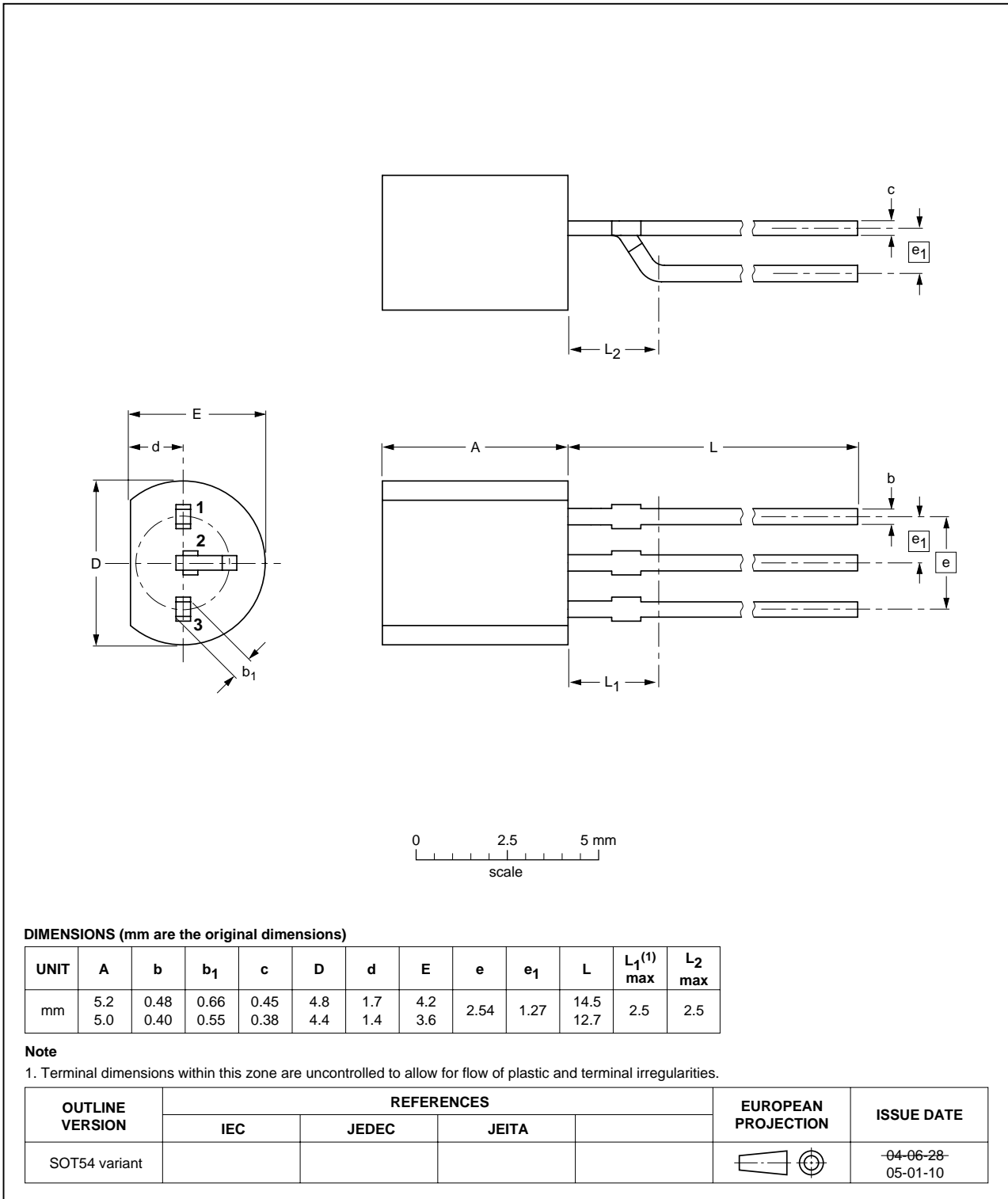


Fig 8. Package outline SOT54 variant

Plastic surface-mounted package; 3 leads

SOT23

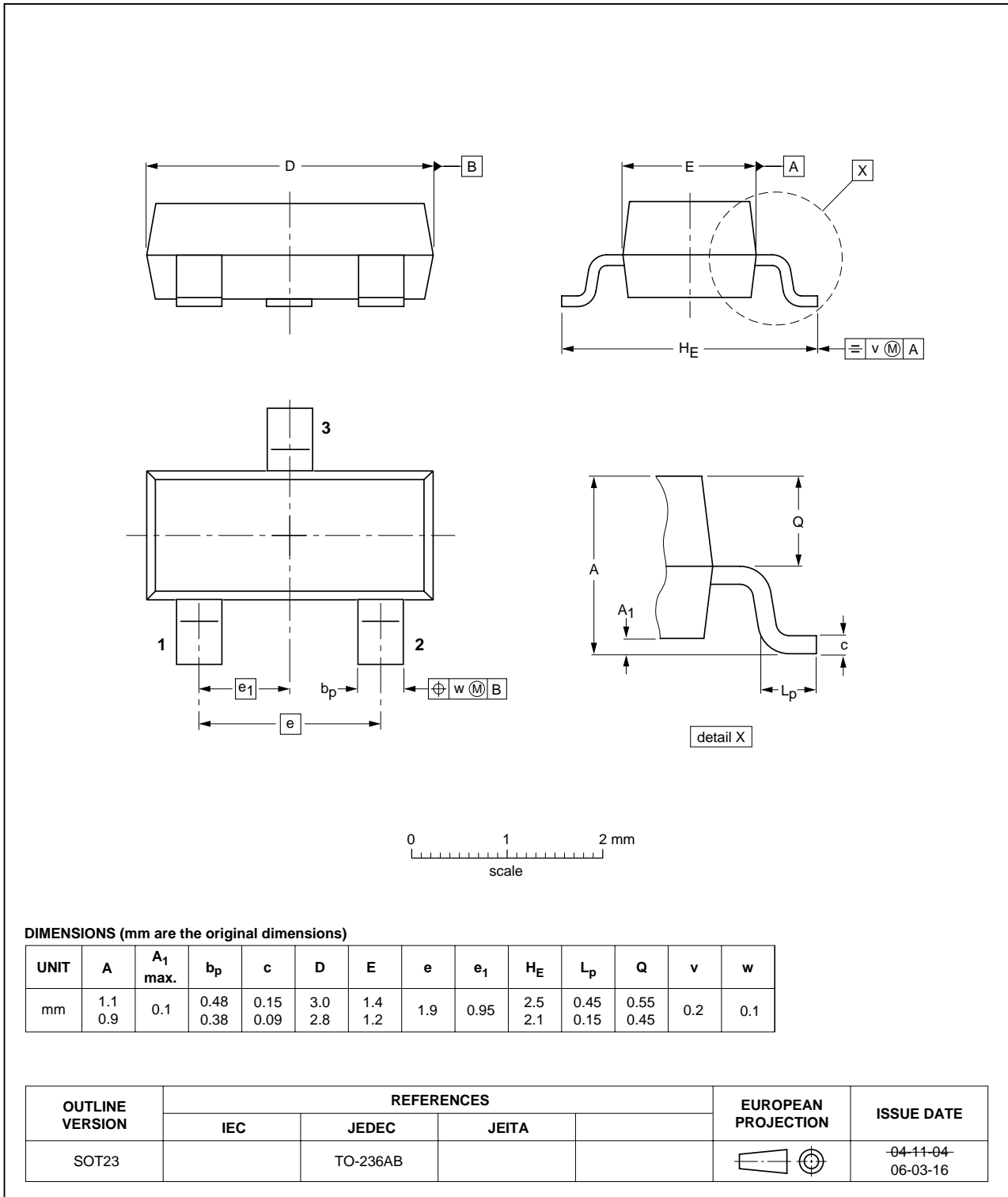


Fig 9. Package outline SOT23 (TO-236AB)

Plastic surface-mounted package; 3 leads

SOT323

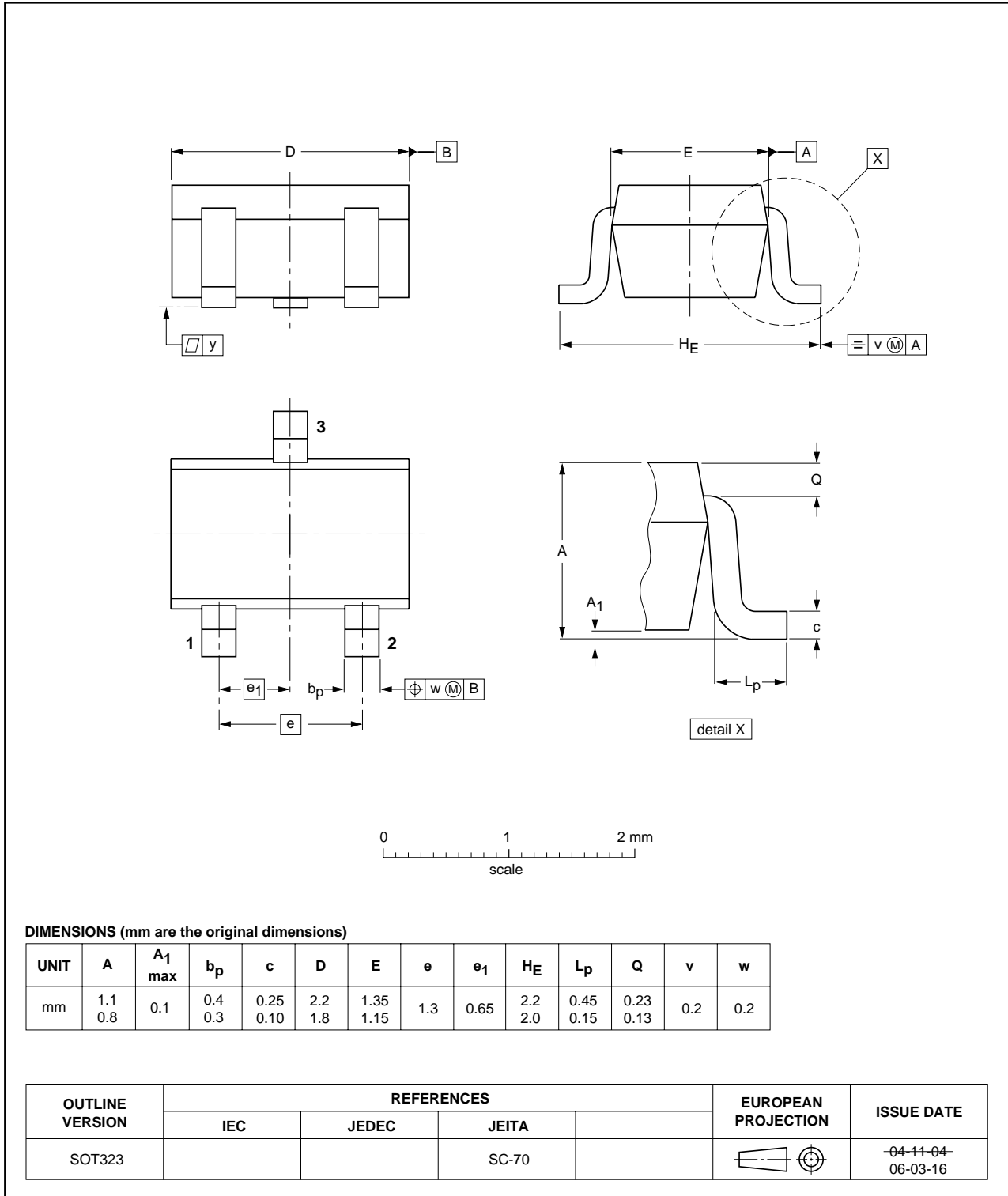


Fig 10. Package outline SOT323 (SC-70)

## 9. Packing information

**Table 9. Packing methods**

The indicated -xxx are the last three digits of the 12NC ordering code. [1]

| Type number | Package       | Description                    | Packing quantity |      |       |
|-------------|---------------|--------------------------------|------------------|------|-------|
|             |               |                                | 3000             | 5000 | 10000 |
| PDTA115TE   | SOT416        | 4 mm pitch, 8 mm tape and reel | -115             | -    | -135  |
| PDTA115TK   | SOT346        | 4 mm pitch, 8 mm tape and reel | -115             | -    | -135  |
| PDTA115TM   | SOT883        | 2 mm pitch, 8 mm tape and reel | -                | -    | -315  |
| PDTA115TS   | SOT54         | bulk, straight leads           | -                | -412 | -     |
|             | SOT54A        | tape and reel, wide pitch      | -                | -    | -116  |
|             | SOT54A        | tape ammopack, wide patch      | -                | -    | -126  |
|             | SOT54 variant | bulk, delta pinning            | -                | -112 | -     |
| PDTA115TT   | SOT23         | 4 mm pitch, 8 mm tape and reel | -215             | -    | -235  |
| PDTA115TU   | SOT323        | 4 mm pitch, 8 mm tape and reel | -115             | -    | -135  |

[1] For further information and the availability of packing methods, see [Section 12](#).

## 10. Revision history

Table 10. Revision history

| Document ID    | Release date                                                                                                                                                                                                                                                                                                                                                                                                                                                                                                                                                          | Data sheet status    | Change notice | Supersedes     |
|----------------|-----------------------------------------------------------------------------------------------------------------------------------------------------------------------------------------------------------------------------------------------------------------------------------------------------------------------------------------------------------------------------------------------------------------------------------------------------------------------------------------------------------------------------------------------------------------------|----------------------|---------------|----------------|
| PDTA115T_SER_5 | 20090902                                                                                                                                                                                                                                                                                                                                                                                                                                                                                                                                                              | Product data sheet   | -             | PDTA115T_SER_4 |
| Modifications: | <ul style="list-style-type: none"> <li>• This data sheet was changed to reflect the new company name NXP Semiconductors, including new legal definitions and disclaimers. No changes were made to the technical content.</li> <li>• <a href="#">Figure 3 "Package outline SOT416 (SC-75)": updated</a></li> <li>• <a href="#">Figure 4 "Package outline SOT346 (SC-59/TO-236)": updated</a></li> <li>• <a href="#">Figure 9 "Package outline SOT23 (TO-236AB)": updated</a></li> <li>• <a href="#">Figure 10 "Package outline SOT323 (SC-70)": updated</a></li> </ul> |                      |               |                |
| PDTA115T_SER_4 | 20050405                                                                                                                                                                                                                                                                                                                                                                                                                                                                                                                                                              | Product data sheet   | -             | PDTA115TT_3    |
| PDTA115TT_3    | 20040907                                                                                                                                                                                                                                                                                                                                                                                                                                                                                                                                                              | Objective data sheet | -             | PDTA115TT_2    |
| PDTA115TT_2    | 20040518                                                                                                                                                                                                                                                                                                                                                                                                                                                                                                                                                              | Objective data sheet | -             | PDTA115TT_1    |
| PDTA115TT_1    | 20040323                                                                                                                                                                                                                                                                                                                                                                                                                                                                                                                                                              | Objective data sheet | -             | -              |



## 11. Legal information

### 11.1 Data sheet status

| Document status <sup>[1][2]</sup> | Product status <sup>[3]</sup> | Definition                                                                            |
|-----------------------------------|-------------------------------|---------------------------------------------------------------------------------------|
| Objective [short] data sheet      | Development                   | This document contains data from the objective specification for product development. |
| Preliminary [short] data sheet    | Qualification                 | This document contains data from the preliminary specification.                       |
| Product [short] data sheet        | Production                    | This document contains the product specification.                                     |

[1] Please consult the most recently issued document before initiating or completing a design.

[2] The term 'short data sheet' is explained in section "Definitions".

[3] The product status of device(s) described in this document may have changed since this document was published and may differ in case of multiple devices. The latest product status information is available on the Internet at URL <http://www.nxp.com>.

### 11.2 Definitions

**Draft** — The document is a draft version only. The content is still under internal review and subject to formal approval, which may result in modifications or additions. NXP Semiconductors does not give any representations or warranties as to the accuracy or completeness of information included herein and shall have no liability for the consequences of use of such information.

**Short data sheet** — A short data sheet is an extract from a full data sheet with the same product type number(s) and title. A short data sheet is intended for quick reference only and should not be relied upon to contain detailed and full information. For detailed and full information see the relevant full data sheet, which is available on request via the local NXP Semiconductors sales office. In case of any inconsistency or conflict with the short data sheet, the full data sheet shall prevail.

### 11.3 Disclaimers

**General** — Information in this document is believed to be accurate and reliable. However, NXP Semiconductors does not give any representations or warranties, expressed or implied, as to the accuracy or completeness of such information and shall have no liability for the consequences of use of such information.

**Right to make changes** — NXP Semiconductors reserves the right to make changes to information published in this document, including without limitation specifications and product descriptions, at any time and without notice. This document supersedes and replaces all information supplied prior to the publication hereof.

**Suitability for use** — NXP Semiconductors products are not designed, authorized or warranted to be suitable for use in medical, military, aircraft, space or life support equipment, nor in applications where failure or malfunction of an NXP Semiconductors product can reasonably be expected to result in personal injury, death or severe property or environmental

damage. NXP Semiconductors accepts no liability for inclusion and/or use of NXP Semiconductors products in such equipment or applications and therefore such inclusion and/or use is at the customer's own risk.

**Applications** — Applications that are described herein for any of these products are for illustrative purposes only. NXP Semiconductors makes no representation or warranty that such applications will be suitable for the specified use without further testing or modification.

**Limiting values** — Stress above one or more limiting values (as defined in the Absolute Maximum Ratings System of IEC 60134) may cause permanent damage to the device. Limiting values are stress ratings only and operation of the device at these or any other conditions above those given in the Characteristics sections of this document is not implied. Exposure to limiting values for extended periods may affect device reliability.

**Terms and conditions of sale** — NXP Semiconductors products are sold subject to the general terms and conditions of commercial sale, as published at <http://www.nxp.com/profile/terms>, including those pertaining to warranty, intellectual property rights infringement and limitation of liability, unless explicitly otherwise agreed to in writing by NXP Semiconductors. In case of any inconsistency or conflict between information in this document and such terms and conditions, the latter will prevail.

**No offer to sell or license** — Nothing in this document may be interpreted or construed as an offer to sell products that is open for acceptance or the grant, conveyance or implication of any license under any copyrights, patents or other industrial or intellectual property rights.

**Export control** — This document as well as the item(s) described herein may be subject to export control regulations. Export might require a prior authorization from national authorities.

**Quick reference data** — The Quick reference data is an extract of the product data given in the Limiting values and Characteristics sections of this document, and as such is not complete, exhaustive or legally binding.

### 11.4 Trademarks

Notice: All referenced brands, product names, service names and trademarks are the property of their respective owners.

## 12. Contact information

For more information, please visit: <http://www.nxp.com>

For sales office addresses, please send an email to: [salesaddresses@nxp.com](mailto:salesaddresses@nxp.com)

**13. Contents**

**1 Product profile . . . . . 1**

1.1 General description . . . . . 1

1.2 Features . . . . . 1

1.3 Applications . . . . . 1

1.4 Quick reference data . . . . . 1

**2 Pinning information . . . . . 2**

**3 Ordering information . . . . . 3**

**4 Marking . . . . . 3**

**5 Limiting values . . . . . 4**

**6 Thermal characteristics . . . . . 4**

**7 Characteristics . . . . . 5**

**8 Package outline . . . . . 6**

**9 Packing information . . . . . 14**

**10 Revision history . . . . . 15**

**11 Legal information . . . . . 16**

11.1 Data sheet status . . . . . 16

11.2 Definitions . . . . . 16

11.3 Disclaimers . . . . . 16

11.4 Trademarks . . . . . 16

**12 Contact information . . . . . 16**

**13 Contents . . . . . 17**

Please be aware that important notices concerning this document and the product(s) described herein, have been included in section 'Legal information'.



© NXP B.V. 2009.

All rights reserved.

For more information, please visit: <http://www.nxp.com>

For sales office addresses, please send an email to: [salesaddresses@nxp.com](mailto:salesaddresses@nxp.com)

Date of release: 2 September 2009

Document identifier: PDTA115T\_SER\_5

Компания «Океан Электроники» предлагает заключение долгосрочных отношений при поставках импортных электронных компонентов на взаимовыгодных условиях!

Наши преимущества:

- Поставка оригинальных импортных электронных компонентов напрямую с производств Америки, Европы и Азии, а так же с крупнейших складов мира;
- Широкая линейка поставок активных и пассивных импортных электронных компонентов (более 30 млн. наименований);
- Поставка сложных, дефицитных, либо снятых с производства позиций;
- Оперативные сроки поставки под заказ (от 5 рабочих дней);
- Экспресс доставка в любую точку России;
- Помощь Конструкторского Отдела и консультации квалифицированных инженеров;
- Техническая поддержка проекта, помощь в подборе аналогов, поставка прототипов;
- Поставка электронных компонентов под контролем ВП;
- Система менеджмента качества сертифицирована по Международному стандарту ISO 9001;
- При необходимости вся продукция военного и аэрокосмического назначения проходит испытания и сертификацию в лаборатории (по согласованию с заказчиком);
- Поставка специализированных компонентов военного и аэрокосмического уровня качества (Xilinx, Altera, Analog Devices, Intersil, Interpoint, Microsemi, Actel, Aeroflex, Peregrine, VPT, Syfer, Eurofarad, Texas Instruments, MS Kennedy, Miteq, Cobham, E2V, MA-COM, Hittite, Mini-Circuits, General Dynamics и др.);

Компания «Океан Электроники» является официальным дистрибьютором и эксклюзивным представителем в России одного из крупнейших производителей разъемов военного и аэрокосмического назначения «JONHON», а так же официальным дистрибьютором и эксклюзивным представителем в России производителя высокотехнологичных и надежных решений для передачи СВЧ сигналов «FORSTAR».



## JONHON

«JONHON» (основан в 1970 г.)

Разъемы специального, военного и аэрокосмического назначения:

(Применяются в военной, авиационной, аэрокосмической, морской, железнодорожной, горно- и нефтедобывающей отраслях промышленности)

«FORSTAR» (основан в 1998 г.)

ВЧ соединители, коаксиальные кабели,  
кабельные сборки и микроволновые компоненты:

(Применяются в телекоммуникациях гражданского и специального назначения, в средствах связи, РЛС, а так же военной, авиационной и аэрокосмической отраслях промышленности).



Телефон: 8 (812) 309-75-97 (многоканальный)

Факс: 8 (812) 320-03-32

Электронная почта: [ocean@oceanchips.ru](mailto:ocean@oceanchips.ru)

Web: <http://oceanchips.ru/>

Адрес: 198099, г. Санкт-Петербург, ул. Калинина, д. 2, корп. 4, лит. А