



# **PIC18F8722 Family Data Sheet**

64/80-Pin, 1-Mbit,  
Enhanced Flash Microcontrollers  
with 10-Bit A/D and nanoWatt Technology

---

---

**Note the following details of the code protection feature on Microchip devices:**

- Microchip products meet the specification contained in their particular Microchip Data Sheet.
- Microchip believes that its family of products is one of the most secure families of its kind on the market today, when used in the intended manner and under normal conditions.
- There are dishonest and possibly illegal methods used to breach the code protection feature. All of these methods, to our knowledge, require using the Microchip products in a manner outside the operating specifications contained in Microchip's Data Sheets. Most likely, the person doing so is engaged in theft of intellectual property.
- Microchip is willing to work with the customer who is concerned about the integrity of their code.
- Neither Microchip nor any other semiconductor manufacturer can guarantee the security of their code. Code protection does not mean that we are guaranteeing the product as "unbreakable."

Code protection is constantly evolving. We at Microchip are committed to continuously improving the code protection features of our products. Attempts to break Microchip's code protection feature may be a violation of the Digital Millennium Copyright Act. If such acts allow unauthorized access to your software or other copyrighted work, you may have a right to sue for relief under that Act.

---

Information contained in this publication regarding device applications and the like is provided only for your convenience and may be superseded by updates. It is your responsibility to ensure that your application meets with your specifications. MICROCHIP MAKES NO REPRESENTATIONS OR WARRANTIES OF ANY KIND WHETHER EXPRESS OR IMPLIED, WRITTEN OR ORAL, STATUTORY OR OTHERWISE, RELATED TO THE INFORMATION, INCLUDING BUT NOT LIMITED TO ITS CONDITION, QUALITY, PERFORMANCE, MERCHANTABILITY OR FITNESS FOR PURPOSE. Microchip disclaims all liability arising from this information and its use. Use of Microchip devices in life support and/or safety applications is entirely at the buyer's risk, and the buyer agrees to defend, indemnify and hold harmless Microchip from any and all damages, claims, suits, or expenses resulting from such use. No licenses are conveyed, implicitly or otherwise, under any Microchip intellectual property rights.

**Trademarks**

The Microchip name and logo, the Microchip logo, Accuron, dsPIC, KEELOQ, KEELOQ logo, MPLAB, PIC, PICmicro, PICSTART, rPIC, SmartShunt and UNI/O are registered trademarks of Microchip Technology Incorporated in the U.S.A. and other countries.

FilterLab, Linear Active Thermistor, MXDEV, MXLAB, SEEVAL, SmartSensor and The Embedded Control Solutions Company are registered trademarks of Microchip Technology Incorporated in the U.S.A.

Analog-for-the-Digital Age, Application Maestro, CodeGuard, dsPICDEM, dsPICDEM.net, dsPICworks, dsSPEAK, ECAN, ECONOMONITOR, FanSense, In-Circuit Serial Programming, ICSP, ICEPIC, Mindi, MiWi, MPASM, MPLAB Certified logo, MPLIB, MPLINK, mTouch, PICkit, PICDEM, PICDEM.net, PICTail, PIC<sup>32</sup> logo, PowerCal, PowerInfo, PowerMate, PowerTool, REAL ICE, rLAB, Select Mode, Total Endurance, WiperLock and ZENA are trademarks of Microchip Technology Incorporated in the U.S.A. and other countries.

SQTP is a service mark of Microchip Technology Incorporated in the U.S.A.

All other trademarks mentioned herein are property of their respective companies.

© 2008, Microchip Technology Incorporated, Printed in the U.S.A., All Rights Reserved.

 Printed on recycled paper.

**QUALITY MANAGEMENT SYSTEM**  
**CERTIFIED BY DNV**  
**== ISO/TS 16949:2002 ==**

*Microchip received ISO/TS-16949:2002 certification for its worldwide headquarters, design and wafer fabrication facilities in Chandler and Tempe, Arizona; Gresham, Oregon and design centers in California and India. The Company's quality system processes and procedures are for its PIC<sup>®</sup> MCUs and dsPIC<sup>®</sup> DSCs, KEELOQ<sup>®</sup> code hopping devices, Serial EEPROMs, microperipherals, nonvolatile memory and analog products. In addition, Microchip's quality system for the design and manufacture of development systems is ISO 9001:2000 certified.*



# MICROCHIP

# PIC18F8722 FAMILY

## 64/80-Pin, 1-Mbit, Enhanced Flash Microcontrollers with 10-Bit A/D and nanoWatt Technology

### Power Management Features:

- Run: CPU On, Peripherals On
- Idle: CPU Off, Peripherals On
- Sleep: CPU Off, Peripherals Off
- Ultra Low 50 nA Input Leakage
- Run mode Currents Down to 25  $\mu$ A Typical
- Idle mode Currents Down to 6.8  $\mu$ A Typical
- Sleep mode Current Down to 120 nA Typical
- Timer1 Oscillator: 900 nA, 32 kHz, 2V
- Watchdog Timer: 1.6  $\mu$ A, 2V Typical
- Two-Speed Oscillator Start-up

### Flexible Oscillator Structure:

- Four Crystal modes, up to 40 MHz
- 4x Phase Lock Loop (PLL) – Available for Crystal and Internal Oscillators
- Internal Oscillator Block:
  - Fast wake from Sleep and Idle, 1  $\mu$ s typical
  - Provides a complete range of clock speeds from 31 kHz to 32 MHz when used with PLL
  - User-tunable to compensate for frequency drift
- Secondary oscillator using Timer1 @ 32 kHz
- Fail-Safe Clock Monitor:
  - Allows for safe shutdown if peripheral clock stops

### Peripheral Highlights:

- High-Current Sink/Source 25 mA/25 mA
- Three Programmable External Interrupts
- Four Input Change Interrupts
- Enhanced Capture/Compare/PWM (ECCP) module (40/44-pin devices only):
  - One, two or four PWM outputs
  - Programmable dead time
  - Auto-shutdown and auto-restart

### Peripheral Highlights (Continued):

- Up to 2 Capture/Compare/PWM (CCP) modules, one with Auto-Shutdown (28-pin devices)
- Master Synchronous Serial Port (MSSP) module Supporting 3-Wire SPI (all 4 modes) and I<sup>2</sup>C™ Master and Slave modes
- Enhanced Addressable USART module:
  - Supports RS-485, RS-232 and LIN/J2602
  - RS-232 operation using internal oscillator block (no external crystal required)
- 10-Bit, up to 13-Channel Analog-to-Digital (A/D) Converter module:
  - Conversion available during Sleep
- Dual Analog Comparators with Input Multiplexing
- Programmable 16-Level High/Low-Voltage Detection (HLVD) module

### Special Microcontroller Features:

- C Compiler Optimized Architecture
- 100,000 Erase/Write Cycle Enhanced Flash Program Memory Typical
- 1,000,000 Erase/Write Cycle Data EEPROM Memory Typical
- Flash/Data EEPROM Retention: 100 Years Typical
- Self-Programmable under Software Control
- Priority Levels for Interrupts
- 8 x 8 Single-Cycle Hardware Multiplier
- Extended Watchdog Timer (WDT):
  - Programmable period from 4 ms to 131s
- Single-Supply 5V In-Circuit Serial Programming™ (ICSP™) via Two Pins
- In-Circuit Debug (ICD) via Two Pins
- Wide Operating Voltage Range: 2.0V to 5.5V
- Programmable Brown-out Reset (BOR) with Software Enable Option

| Device     | Program Memory |                            | Data Memory  |                | I/O | 10-Bit A/D (ch) | CCP/ ECCP (PWM) | MSSP |                          | EUSART | Comparators | Timers 8/16-Bit | External Bus |   |
|------------|----------------|----------------------------|--------------|----------------|-----|-----------------|-----------------|------|--------------------------|--------|-------------|-----------------|--------------|---|
|            | Flash (bytes)  | # Single-Word Instructions | SRAM (bytes) | EEPROM (bytes) |     |                 |                 | SPI  | Master I <sup>2</sup> C™ |        |             |                 |              |   |
| PIC18F6527 | 48K            | 24576                      | 3936         | 1024           | 54  | 12              | 2/3             | 2    | Y                        | Y      | 2           | 2               | 2/3          | N |
| PIC18F6622 | 64K            | 32768                      | 3936         | 1024           | 54  | 12              | 2/3             | 2    | Y                        | Y      | 2           | 2               | 2/3          | N |
| PIC18F6627 | 96K            | 49152                      | 3936         | 1024           | 54  | 12              | 2/3             | 2    | Y                        | Y      | 2           | 2               | 2/3          | N |
| PIC18F6722 | 128K           | 65536                      | 3936         | 1024           | 54  | 12              | 2/3             | 2    | Y                        | Y      | 2           | 2               | 2/3          | N |
| PIC18F8527 | 48K            | 24576                      | 3936         | 1024           | 70  | 16              | 2/3             | 2    | Y                        | Y      | 2           | 2               | 2/3          | Y |
| PIC18F8622 | 64K            | 32768                      | 3936         | 1024           | 70  | 16              | 2/3             | 2    | Y                        | Y      | 2           | 2               | 2/3          | Y |
| PIC18F8627 | 96K            | 49152                      | 3936         | 1024           | 70  | 16              | 2/3             | 2    | Y                        | Y      | 2           | 2               | 2/3          | Y |
| PIC18F8722 | 128K           | 65536                      | 3936         | 1024           | 70  | 16              | 2/3             | 2    | Y                        | Y      | 2           | 2               | 2/3          | Y |

# PIC18F8722 FAMILY

## Pin Diagrams



# PIC18F8722 FAMILY

## Pin Diagrams (Continued)

### 80-Pin TQFP



**Note** 1: The ECCP2/P2A pin placement is determined by the CCP2MX Configuration bit and Processor mode settings.  
 2: P1B, P1C, P3B and P3C pin placement is determined by the ECCPMX Configuration bit.

# PIC18F8722 FAMILY

---

## Table of Contents

|      |  |     |
|------|--|-----|
| 1.0  | Device Overview .....  | 7   |
| 2.0  | Oscillator Configurations .....                                    | 31  |
| 3.0  | Power-Managed Modes .....  | 41  |
| 4.0  | Reset .....  | 49  |
| 5.0  | Memory Organization .....  | 63  |
| 6.0  | Flash Program Memory .....   | 87  |
| 7.0  | External Memory Bus .....  | 97  |
| 8.0  | Data EEPROM Memory .....   | 111 |
| 9.0  | 8 x 8 Hardware Multiplier .....                                    | 117 |
| 10.0 | Interrupts .....   | 119 |
| 11.0 | I/O Ports .....  | 135 |
| 12.0 | Timer0 Module .....  | 161 |
| 13.0 | Timer1 Module .....  | 165 |
| 14.0 | Timer2 Module .....  | 171 |
| 15.0 | Timer3 Module .....  | 173 |
| 16.0 | Timer4 Module .....  | 177 |
| 17.0 | Capture/Compare/PWM (CCP) Modules .....                            | 179 |
| 18.0 | Enhanced Capture/Compare/PWM (ECCP) Module .....                   | 187 |
| 19.0 | Master Synchronous Serial Port (MSSP) Module .....                 | 205 |
| 20.0 | Enhanced Universal Synchronous Receiver Transmitter (EUSART) ..... | 247 |
| 21.0 | 10-Bit Analog-to-Digital Converter (A/D) Module .....              | 271 |
| 22.0 | Comparator Module .....  | 281 |
| 23.0 | Comparator Voltage Reference Module .....                          | 287 |
| 24.0 | High/Low-Voltage Detect (HLVD) .....                               | 291 |
| 25.0 | Special Features of the CPU .....                                  | 297 |
| 26.0 | Instruction Set Summary .....                                      | 321 |
| 27.0 | Development Support .....  | 371 |
| 28.0 | Electrical Characteristics .....                                   | 375 |
| 29.0 | Packaging Information .....  | 419 |
|      | Appendix A: Revision History .....                                 | 425 |
|      | Appendix B: Device Differences .....                               | 425 |
|      | Appendix C: Conversion Considerations .....                        | 426 |
|      | Appendix D: Migration From Baseline to Enhanced Devices .....      | 426 |
|      | Appendix E: Migration From Mid-Range to Enhanced Devices .....     | 427 |
|      | Appendix F: Migration From High-End to Enhanced Devices .....      | 427 |
|      | Index .....  | 429 |
|      | The Microchip Web Site .....                                       | 441 |
|      | Customer Change Notification Service .....                         | 441 |
|      | Customer Support .....   | 441 |
|      | Reader Response .....  | 442 |
|      | PIC18F8722 Family Product Identification System .....              | 443 |

## TO OUR VALUED CUSTOMERS

It is our intention to provide our valued customers with the best documentation possible to ensure successful use of your Microchip products. To this end, we will continue to improve our publications to better suit your needs. Our publications will be refined and enhanced as new volumes and updates are introduced.

If you have any questions or comments regarding this publication, please contact the Marketing Communications Department via E-mail at [docerrors@microchip.com](mailto:docerrors@microchip.com) or fax the **Reader Response Form** in the back of this data sheet to (480) 792-4150. We welcome your feedback.

### Most Current Data Sheet

To obtain the most up-to-date version of this data sheet, please register at our Worldwide Web site at:

<http://www.microchip.com>

You can determine the version of a data sheet by examining its literature number found on the bottom outside corner of any page. The last character of the literature number is the version number, (e.g., DS30000A is version A of document DS30000).

### Errata

An errata sheet, describing minor operational differences from the data sheet and recommended workarounds, may exist for current devices. As device/documentation issues become known to us, we will publish an errata sheet. The errata will specify the revision of silicon and revision of document to which it applies.

To determine if an errata sheet exists for a particular device, please check with one of the following:

- Microchip's Worldwide Web site; <http://www.microchip.com>
- Your local Microchip sales office (see last page)

When contacting a sales office, please specify which device, revision of silicon and data sheet (include literature number) you are using.

### Customer Notification System

Register on our web site at [www.microchip.com](http://www.microchip.com) to receive the most current information on all of our products.

# PIC18F8722 FAMILY

---

NOTES:



# PIC18F8722 FAMILY

## 1.0 DEVICE OVERVIEW

This document contains device specific information for the following devices:

- PIC18F6527
- PIC18F6622
- PIC18F6627
- PIC18F6722
- PIC18F8527
- PIC18F8622
- PIC18F8627
- PIC18F8722
- PIC18LF6527
- PIC18LF6622
- PIC18LF6627
- PIC18LF6722
- PIC18LF8527
- PIC18LF8622
- PIC18LF8627
- PIC18LF8722

This family offers the advantages of all PIC18 micro-controllers – namely, high computational performance at an economical price – with the addition of high-endurance, Enhanced Flash program memory. On top of these features, the PIC18F8722 family introduces design enhancements that make these microcontrollers a logical choice for many high-performance, power sensitive applications.

### 1.1 New Core Features

#### 1.1.1 nanoWatt TECHNOLOGY

All of the devices in the PIC18F8722 family incorporate a range of features that can significantly reduce power consumption during operation. Key items include:

- **Alternate Run Modes:** By clocking the controller from the Timer1 source or the internal oscillator block, power consumption during code execution can be significantly reduced.
- **Multiple Idle Modes:** The controller can also run with its CPU core disabled but the peripherals still active. In these states, power consumption can be reduced even further.
- **On-the-fly Mode Switching:** The power-managed modes are invoked by user code during operation, allowing the user to incorporate power-saving ideas into their application's software design.
- **Low Consumption in Key Modules:** The power requirements for both Timer1 and the Watchdog Timer are minimized. See **Section 28.0 “Electrical Characteristics”** for values.

#### 1.1.2 EXPANDED MEMORY

The PIC18F8722 family provides ample room for application code and includes members with 48, 64, 96 or 128 Kbytes of code space.

- **Data RAM and Data EEPROM:** The PIC18F8722 family also provides plenty of room for application data. The devices have 3936 bytes of data RAM, as well as 1024 bytes of data EEPROM, for long term retention of nonvolatile data.
- **Memory Endurance:** The Enhanced Flash cells for both program memory and data EEPROM are rated to last for many thousands of erase/write cycles, up to 100,000 for program memory and 1,000,000 for EEPROM. Data retention without refresh is conservatively estimated to be greater than 40 years.

#### 1.1.3 MULTIPLE OSCILLATOR OPTIONS AND FEATURES

All of the devices in the PIC18F8722 family offer ten different oscillator options, allowing users a wide range of choices in developing application hardware. These include:

- Four Crystal modes, using crystals or ceramic resonators
- Two External Clock modes, offering the option of using two pins (oscillator input and a divide-by-4 clock output) or one pin (oscillator input, with the second pin reassigned as general I/O)
- Two External RC Oscillator modes with the same pin options as the External Clock modes
- An internal oscillator block which provides an 8 MHz clock and an INTRC source (approximately 31 kHz), as well as a range of 6 user selectable clock frequencies, between 125 kHz to 4 MHz, for a total of 8 clock frequencies. This option frees the two oscillator pins for use as additional general purpose I/O.
- A Phase Lock Loop (PLL) frequency multiplier, available to both the high-speed crystal and internal oscillator modes, which allows clock speeds of up to 40 MHz. Used with the internal oscillator, the PLL gives users a complete selection of clock speeds, from 31 kHz to 32 MHz – all without using an external crystal or clock circuit.

# PIC18F8722 FAMILY

---

Besides its availability as a clock source, the internal oscillator block provides a stable reference source that gives the family additional features for robust operation:

- **Fail-Safe Clock Monitor:** This option constantly monitors the main clock source against a reference signal provided by the internal oscillator. If a clock failure occurs, the controller is switched to the internal oscillator block, allowing for continued low-speed operation or a safe application shutdown.
- **Two-Speed Start-up:** This option allows the internal oscillator to serve as the clock source from Power-on Reset, or wake-up from Sleep mode, until the primary clock source is available.

## 1.1.4 EXTERNAL MEMORY INTERFACE

In the unlikely event that 128 Kbytes of program memory is inadequate for an application, the PIC18F8527/8622/8627/8722 members of the family also implement an external memory interface. This allows the controller's internal program counter to address a memory space of up to 2 Mbytes, permitting a level of data access that few 8-bit devices can claim.

With the addition of new operating modes, the external memory interface offers many new options, including:

- Operating the microcontroller entirely from external memory
- Using combinations of on-chip and external memory, up to the 2-Mbyte limit
- Using external Flash memory for reprogrammable application code or large data tables
- Using external RAM devices for storing large amounts of variable data

## 1.1.5 EASY MIGRATION

Regardless of the memory size, all devices share the same rich set of peripherals, allowing for a smooth migration path as applications grow and evolve.

The consistent pinout scheme used throughout the entire family also aids in migrating to the next larger device. This is true when moving between the 64-pin members, between the 80-pin members, or even jumping from 64-pin to 80-pin devices.

## 1.2 Other Special Features

- **Communications:** The PIC18F8722 family incorporates a range of serial communication peripherals, including 2 independent Enhanced USARTs and 2 Master SSP modules capable of both SPI and I<sup>2</sup>C (Master and Slave) modes of operation. Also, one of the general purpose I/O ports can be reconfigured as an 8-bit Parallel Slave Port for direct processor-to-processor communications.
- **CCP Modules:** All devices in the family incorporate two Capture/Compare/PWM (CCP) modules and three Enhanced CCP (ECCP) modules to maximize flexibility in control applications. Up to four different time bases may be used to perform several different operations at once. Each of the three ECCP modules offer up to four PWM outputs, allowing for a total of 12 PWMs. The ECCPs also offer many beneficial features, including polarity selection, Programmable Dead-Time, Auto-Shutdown and Restart and Half-Bridge and Full-Bridge Output modes.
- **Self-Programmability:** These devices can write to their own program memory spaces under internal software control. By using a bootloader routine located in the protected boot block at the top of program memory, it becomes possible to create an application that can update itself in the field.
- **Extended Instruction Set:** The PIC18F8722 family introduces an optional extension to the PIC18 instruction set, which adds 8 new instructions and an Indexed Addressing mode. This extension, enabled as a device configuration option, has been specifically designed to optimize re-entrant application code originally developed in high-level languages, such as C.
- **10-bit A/D Converter:** This module incorporates programmable acquisition time, allowing for a channel to be selected and a conversion to be initiated without waiting for a sampling period and thus, reduce code overhead.
- **Extended Watchdog Timer (WDT):** This enhanced version incorporates a 16-bit prescaler, allowing an extended time-out range that is stable across operating voltage and temperature. See **Section 28.0 "Electrical Characteristics"** for time-out periods.

# PIC18F8722 FAMILY

## 1.3 Details on Individual Family Members

Devices in the PIC18F8722 family are available in 64-pin and 80-pin packages. Block diagrams for the two groups are shown in Figure 1-1 and Figure 1-2.

The devices are differentiated from each other in five ways:

1. Flash program memory (48 Kbytes for PIC18F6527/8527 devices, 64 Kbytes for PIC18F6622/8622 devices, 96 Kbytes for PIC18F6627/8627 devices and 128 Kbytes for PIC18F6722/8722).
2. A/D channels (12 for 64-pin devices, 16 for 80-pin devices).
3. I/O ports (7 bidirectional ports on 64-pin devices, 9 bidirectional ports on 80-pin devices).
4. External Memory Bus, configurable for 8 and 16-bit operation, is available on PIC18F8527/8622/8627/8722 devices.

All other features for devices in this family are identical. These are summarized in Table 1-2 and Table 1-2.

The pinouts for all devices are listed in Table 1-3 and Table 1-4.

Like all Microchip PIC18 devices, members of the PIC18F8722 family are available as both standard and low-voltage devices. Standard devices with Enhanced Flash memory, designated with an "F" in the part number (such as PIC18F6627), accommodate an operating VDD range of 4.2V to 5.5V. Low-voltage parts, designated by "LF" (such as PIC18LF6627), function over an extended VDD range of 2.0V to 5.5V.

**TABLE 1-1: DEVICE FEATURES (PIC18F6527/6622/6627/6722)**

| Features                             | PIC18F6527   | PIC18F6622   | PIC18F6627   | PIC18F6722   |
|--------------------------------------|--|--|--|--|
| Operating Frequency                  | DC – 40 MHz  | DC – 40 MHz  | DC – 40 MHz  | DC – 40 MHz  |
| Program Memory (Bytes)               | 48K  | 64K  | 96K  | 128K   |
| Program Memory (Instructions)        | 24576  | 32768  | 49152  | 65536  |
| Data Memory (Bytes)                  | 3936   | 3936   | 3936   | 3936   |
| Data EEPROM Memory (Bytes)           | 1024   | 1024   | 1024   | 1024   |
| Interrupt Sources                    | 28   | 28   | 28   | 28   |
| I/O Ports                            | Ports A, B, C, D, E, F, G  | Ports A, B, C, D, E, F, G  | Ports A, B, C, D, E, F, G  | Ports A, B, C, D, E, F, G  |
| Timers                               | 5  | 5  | 5  | 5  |
| Capture/Compare/PWM Modules          | 2  | 2  | 2  | 2  |
| Enhanced Capture/Compare/PWM Modules | 3  | 3  | 3  | 3  |
| Enhanced USART                       | 2  | 2  | 2  | 2  |
| Serial Communications                | MSSP, Enhanced USART   | MSSP, Enhanced USART   | MSSP, Enhanced USART   | MSSP, Enhanced USART   |
| Parallel Communications (PSP)        | Yes  | Yes  | Yes  | Yes  |
| 10-bit Analog-to-Digital Module      | 12 Input Channels  | 12 Input Channels  | 12 Input Channels  | 12 Input Channels  |
| Resets (and Delays)                  | POR, BOR, RESET Instruction, Stack Full, Stack Underflow (PWRT, OST), MCLR (optional), WDT | POR, BOR, RESET Instruction, Stack Full, Stack Underflow (PWRT, OST), MCLR (optional), WDT | POR, BOR, RESET Instruction, Stack Full, Stack Underflow (PWRT, OST), MCLR (optional), WDT | POR, BOR, RESET Instruction, Stack Full, Stack Underflow (PWRT, OST), MCLR (optional), WDT |
| Programmable High/Low-Voltage Detect | Yes  | Yes  | Yes  | Yes  |
| Programmable Brown-out Reset         | Yes  | Yes  | Yes  | Yes  |
| Instruction Set                      | 75 Instructions; 83 with Extended Instruction Set enabled                                  | 75 Instructions; 83 with Extended Instruction Set enabled                                  | 75 Instructions; 83 with Extended Instruction Set enabled                                  | 75 Instructions; 83 with Extended Instruction Set enabled                                  |
| Packages                             | 64-pin TQFP  | 64-pin TQFP  | 64-pin TQFP  | 64-pin TQFP  |

# PIC18F8722 FAMILY

**TABLE 1-2: DEVICE FEATURES (PIC18F8527/8622/8627/8722)**

| Features                             | PIC18F8527   | PIC18F8622   | PIC18F8627   | PIC18F8722   |
|--------------------------------------|--|--|--|--|
| Operating Frequency                  | DC – 40 MHz  | DC – 40 MHz  | DC – 40 MHz  | DC – 40 MHz  |
| Program Memory (Bytes)               | 48K  | 64K  | 96K  | 128K   |
| Program Memory (Instructions)        | 24576  | 32768  | 49152  | 65536  |
| Data Memory (Bytes)                  | 3936   | 3936   | 3936   | 3936   |
| Data EEPROM Memory (Bytes)           | 1024   | 1024   | 1024   | 1024   |
| Interrupt Sources                    | 29   | 29   | 29   | 29   |
| I/O Ports                            | Ports A, B, C, D, E, F, G, H, J  | Ports A, B, C, D, E, F, G, H, J  | Ports A, B, C, D, E, F, G, H, J  | Ports A, B, C, D, E, F, G, H, J  |
| Timers                               | 5  | 5  | 5  | 5  |
| Capture/Compare/PWM Modules          | 2  | 2  | 2  | 2  |
| Enhanced Capture/Compare/PWM Modules | 3  | 3  | 3  | 3  |
| Enhanced USART                       | 2  | 2  | 2  | 2  |
| Serial Communications                | MSSP, Enhanced USART   | MSSP, Enhanced USART   | MSSP, Enhanced USART   | MSSP, Enhanced USART   |
| Parallel Communications (PSP)        | Yes  | Yes  | Yes  | Yes  |
| 10-bit Analog-to-Digital Module      | 16 Input Channels  | 16 Input Channels  | 16 Input Channels  | 16 Input Channels  |
| Resets (and Delays)                  | POR, BOR, RESET Instruction, Stack Full, Stack Underflow (PWRT, OST), $\overline{\text{MCLR}}$ (optional), WDT | POR, BOR, RESET Instruction, Stack Full, Stack Underflow (PWRT, OST), $\overline{\text{MCLR}}$ (optional), WDT | POR, BOR, RESET Instruction, Stack Full, Stack Underflow (PWRT, OST), $\overline{\text{MCLR}}$ (optional), WDT | POR, BOR, RESET Instruction, Stack Full, Stack Underflow (PWRT, OST), $\overline{\text{MCLR}}$ (optional), WDT |
| Programmable High/Low-Voltage Detect | Yes  | Yes  | Yes  | Yes  |
| Programmable Brown-out Reset         | Yes  | Yes  | Yes  | Yes  |
| Instruction Set                      | 75 Instructions; 83 with Extended Instruction Set enabled  | 75 Instructions; 83 with Extended Instruction Set enabled  | 75 Instructions; 83 with Extended Instruction Set enabled  | 75 Instructions; 83 with Extended Instruction Set enabled  |
| Packages                             | 80-pin TQFP  | 80-pin TQFP  | 80-pin TQFP  | 80-pin TQFP  |

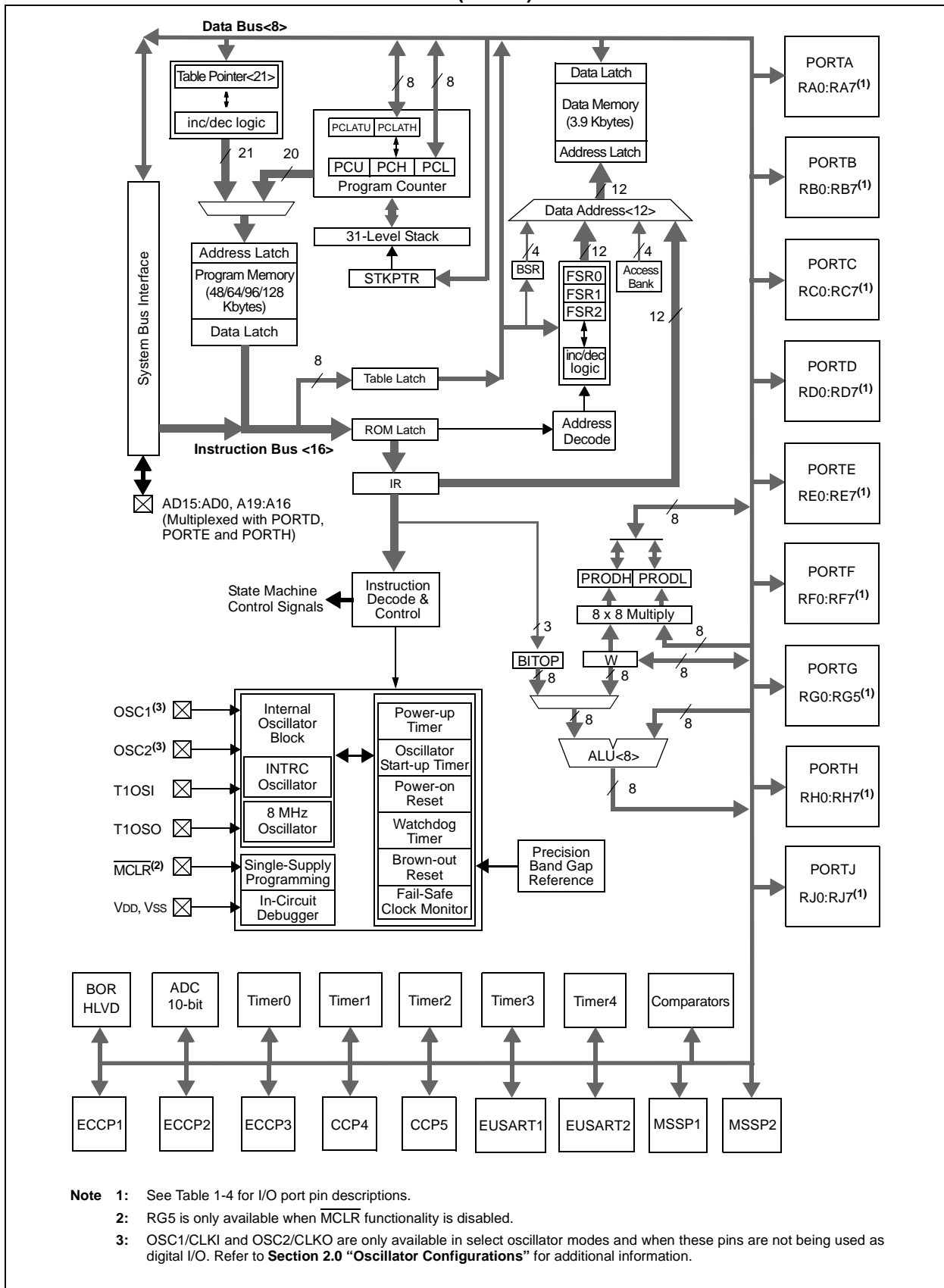
# PIC18F8722 FAMILY

**FIGURE 1-1: PIC18F6527/6622/6627/6722 (64-PIN) BLOCK DIAGRAM**



# PIC18F8722 FAMILY

FIGURE 1-2: PIC18F8527/8622/8627/8722 (80-PIN) BLOCK DIAGRAM



# PIC18F8722 FAMILY

**TABLE 1-3: PIC18F6527/6622/6627/6722 PINOUT I/O DESCRIPTIONS**

| Pin Name                                     | Pin Number | Pin Type          | Buffer Type           | Description  |
|--|------------|-------------------|-----------------------|--|
|  | TQFP       |                   |                       |  |
| RG5/MCLR/VPP<br>RG5<br>MCLR<br>VPP           | 7          | I<br>I<br>P       | ST<br>ST              | Master Clear (input) or programming voltage (input).<br>Digital input.<br>Master Clear (Reset) input. This pin is an active-low Reset to the device.<br>Programming voltage input.   |
| OSC1/CLKI/RA7<br>OSC1<br><br>CLKI<br><br>RA7 | 39         | I<br><br>I<br>I/O | ST<br><br>CMOS<br>TTL | Oscillator crystal or external clock input.<br>Oscillator crystal input or external clock source input. ST buffer when configured in RC mode, CMOS otherwise.<br>External clock source input. Always associated with pin function OSC1. (See related OSC1/CLKI, OSC2/CLKO pins.)<br>General purpose I/O pin. |
| OSC2/CLKO/RA6<br>OSC2<br><br>CLKO<br><br>RA6 | 40         | O<br><br>O<br>I/O | —<br>—<br>TTL         | Oscillator crystal or clock output.<br>Oscillator crystal output. Connects to crystal or resonator in Crystal Oscillator mode.<br>In RC mode, OSC2 pin outputs CLKO, which has 1/4 the frequency of OSC1 and denotes the instruction cycle rate.<br>General purpose I/O pin.                                 |

**Legend:** TTL = TTL compatible input    CMOS = CMOS compatible input or output  
 ST = Schmitt Trigger input with CMOS levels Analog = Analog input  
 I = Input    O = Output  
 P = Power    I<sup>2</sup>C™ = I<sup>2</sup>C/SMBus input buffer

- Note 1:** Default assignment for ECCP2 when Configuration bit, CCP2MX, is set.  
**2:** Alternate assignment for ECCP2 when Configuration bit, CCP2MX, is cleared.

# PIC18F8722 FAMILY

**TABLE 1-3: PIC18F6527/6622/6627/6722 PINOUT I/O DESCRIPTIONS (CONTINUED)**

| Pin Name       | Pin Number | Pin Type | Buffer Type | Description  |
|----------------|------------|----------|-------------|--|
|                | TQFP       |          |             |  |
| RA0/AN0        | 24         | I/O      | TTL         | PORTA is a bidirectional I/O port.<br>Digital I/O.<br>Analog input 0.  |
| RA0            |            | I        | Analog      |  |
| AN0            |            |          |             |  |
| RA1/AN1        | 23         | I/O      | TTL         | Digital I/O.<br>Analog input 1.  |
| RA1            |            | I        | Analog      |  |
| AN1            |            |          |             |  |
| RA2/AN2/VREF-  | 22         | I/O      | TTL         | Digital I/O.<br>Analog input 2.<br>A/D reference voltage (low) input.  |
| RA2            |            | I        | Analog      |  |
| AN2            |            | I        | Analog      |  |
| VREF-          |            |          |             |  |
| RA3/AN3/VREF+  | 21         | I/O      | TTL         | Digital I/O.<br>Analog input 3.<br>A/D reference voltage (high) input. |
| RA3            |            | I        | Analog      |  |
| AN3            |            | I        | Analog      |  |
| VREF+          |            |          |             |  |
| RA4/T0CKI      | 28         | I/O      | ST          | Digital I/O.<br>Timer0 external clock input.                           |
| RA4            |            | I        | ST          |  |
| T0CKI          |            |          |             |  |
| RA5/AN4/HLVDIN | 27         | I/O      | TTL         | Digital I/O.<br>Analog input 4.<br>High/Low-Voltage Detect input.      |
| RA5            |            | I        | Analog      |  |
| AN4            |            | I        | Analog      |  |
| HLVDIN         |            |          |             |  |
| RA6            |            |          |             | See the OSC2/CLKO/RA6 pin.   |
| RA7            |            |          |             | See the OSC1/CLKI/RA7 pin.   |

**Legend:** TTL = TTL compatible input CMOS = CMOS compatible input or output  
 ST = Schmitt Trigger input with CMOS levels Analog= Analog input  
 I = Input O = Output  
 P = Power I<sup>2</sup>C™ = I<sup>2</sup>C/SMBus input buffer

**Note 1:** Default assignment for ECCP2 when Configuration bit, CCP2MX, is set.  
**2:** Alternate assignment for ECCP2 when Configuration bit, CCP2MX, is cleared.



# PIC18F8722 FAMILY

**TABLE 1-3: PIC18F6527/6622/6627/6722 PINOUT I/O DESCRIPTIONS (CONTINUED)**

| Pin Name                             | Pin Number | Pin Type        | Buffer Type      | Description  |
|--------------------------------------|------------|-----------------|------------------|--|
|                                      | TQFP       |                 |                  |  |
| RB0/INT0/FLT0<br>RB0<br>INT0<br>FLT0 | 48         | I/O<br>I<br>I   | TTL<br>ST<br>ST  | PORTB is a bidirectional I/O port. PORTB can be software programmed for internal weak pull-ups on all inputs.<br>Digital I/O.<br>External interrupt 0.<br>PWM Fault input for ECCPx. |
| RB1/INT1<br>RB1<br>INT1              | 47         | I/O<br>I        | TTL<br>ST        | Digital I/O.<br>External interrupt 1.  |
| RB2/INT2<br>RB2<br>INT2              | 46         | I/O<br>I        | TTL<br>ST        | Digital I/O.<br>External interrupt 2.  |
| RB3/INT3<br>RB3<br>INT3              | 45         | I/O<br>I        | TTL<br>ST        | Digital I/O.<br>External interrupt 3.  |
| RB4/KBI0<br>RB4<br>KBI0              | 44         | I/O<br>I        | TTL<br>TTL       | Digital I/O.<br>Interrupt-on-change pin.   |
| RB5/KBI1/PGM<br>RB5<br>KBI1<br>PGM   | 43         | I/O<br>I<br>I/O | TTL<br>TTL<br>ST | Digital I/O.<br>Interrupt-on-change pin.<br>Low-Voltage ICSP™ Programming enable pin.  |
| RB6/KBI2/PGC<br>RB6<br>KBI2<br>PGC   | 42         | I/O<br>I<br>I/O | TTL<br>TTL<br>ST | Digital I/O.<br>Interrupt-on-change pin.<br>In-Circuit Debugger and ICSP programming clock pin.  |
| RB7/KBI3/PGD<br>RB7<br>KBI3<br>PGD   | 37         | I/O<br>I<br>I/O | TTL<br>TTL<br>ST | Digital I/O.<br>Interrupt-on-change pin.<br>In-Circuit Debugger and ICSP programming data pin.   |

**Legend:** TTL = TTL compatible input CMOS = CMOS compatible input or output  
 ST = Schmitt Trigger input with CMOS levels Analog = Analog input  
 I = Input O = Output  
 P = Power I<sup>2</sup>C™ = I<sup>2</sup>C/SMBus input buffer

**Note 1:** Default assignment for ECCP2 when Configuration bit, CCP2MX, is set.

**2:** Alternate assignment for ECCP2 when Configuration bit, CCP2MX, is cleared.

# PIC18F8722 FAMILY

TABLE 1-3: PIC18F6527/6622/6627/6722 PINOUT I/O DESCRIPTIONS (CONTINUED)

| Pin Name                           | Pin Number | Pin Type | Buffer Type | Description   |
|------------------------------------|------------|----------|-------------|---|
|                                    | TQFP       |          |             |   |
| PORTC is a bidirectional I/O port. |            |          |             |   |
| RC0/T1OSO/T13CKI                   | 30         |          |             |   |
| RC0                                |            | I/O      | ST          | Digital I/O.  |
| T1OSO                              |            | O        | —           | Timer1 oscillator output.   |
| T13CKI                             |            | I        | ST          | Timer1/Timer3 external clock input.                               |
| RC1/T1OSI/ECCP2/P2A                | 29         |          |             |   |
| RC1                                |            | I/O      | ST          | Digital I/O.  |
| T1OSI                              |            | I        | CMOS        | Timer1 oscillator input.  |
| ECCP2 <sup>(1)</sup>               |            | I/O      | ST          | Enhanced Capture 2 input/Compare 2 output/<br>PWM 2 output.       |
| P2A <sup>(1)</sup>                 |            | O        | —           | ECCP2 PWM output A.   |
| RC2/ECCP1/P1A                      | 33         |          |             |   |
| RC2                                |            | I/O      | ST          | Digital I/O.  |
| ECCP1                              |            | I/O      | ST          | Enhanced Capture 1 input/Compare 1 output/<br>PWM 1 output.       |
| P1A                                |            | O        | —           | ECCP1 PWM output A.   |
| RC3/SCK1/SCL1                      | 34         |          |             |   |
| RC3                                |            | I/O      | ST          | Digital I/O.  |
| SCK1                               |            | I/O      | ST          | Synchronous serial clock input/output for SPI mode.               |
| SCL1                               |            | I/O      | ST          | Synchronous serial clock input/output for I <sup>2</sup> C™ mode. |
| RC4/SDI1/SDA1                      | 35         |          |             |   |
| RC4                                |            | I/O      | ST          | Digital I/O.  |
| SDI1                               |            | I        | ST          | SPI data in.  |
| SDA1                               |            | I/O      | ST          | I <sup>2</sup> C data I/O.  |
| RC5/SDO1                           | 36         |          |             |   |
| RC5                                |            | I/O      | ST          | Digital I/O.  |
| SDO1                               |            | O        | —           | SPI data out.   |
| RC6/TX1/CK1                        | 31         |          |             |   |
| RC6                                |            | I/O      | ST          | Digital I/O.  |
| TX1                                |            | O        | —           | EUSART1 asynchronous transmit.                                    |
| CK1                                |            | I/O      | ST          | EUSART1 synchronous clock (see related RX1/DT1).                  |
| RC7/RX1/DT1                        | 32         |          |             |   |
| RC7                                |            | I/O      | ST          | Digital I/O.  |
| RX1                                |            | I        | ST          | EUSART1 asynchronous receive.                                     |
| DT1                                |            | I/O      | ST          | EUSART1 synchronous data (see related TX1/CK1).                   |

**Legend:** TTL = TTL compatible input    CMOS = CMOS compatible input or output  
 ST = Schmitt Trigger input with CMOS levels    Analog = Analog input  
 I = Input    O = Output  
 P = Power    I<sup>2</sup>C™ = I<sup>2</sup>C/SMBus input buffer

**Note 1:** Default assignment for ECCP2 when Configuration bit, CCP2MX, is set.  
**2:** Alternate assignment for ECCP2 when Configuration bit, CCP2MX, is cleared.

# PIC18F8722 FAMILY

**TABLE 1-3: PIC18F6527/6622/6627/6722 PINOUT I/O DESCRIPTIONS (CONTINUED)**

| Pin Name           | Pin Number | Pin Type | Buffer Type          | Description  |
|--------------------|------------|----------|----------------------|--|
|                    | TQFP       |          |                      |  |
| RD0/PSP0           | 58         |          |                      | PORTD is a bidirectional I/O port.                               |
| RD0                |            | I/O      | ST                   | Digital I/O.   |
| PSP0               |            | I/O      | TTL                  | Parallel Slave Port data.  |
| RD1/PSP1           | 55         |          |                      |  |
| RD1                |            | I/O      | ST                   | Digital I/O.   |
| PSP1               |            | I/O      | TTL                  | Parallel Slave Port data.  |
| RD2/PSP2           | 54         |          |                      |  |
| RD2                |            | I/O      | ST                   | Digital I/O.   |
| PSP2               |            | I/O      | TTL                  | Parallel Slave Port data.  |
| RD3/PSP3           | 53         |          |                      |  |
| RD3                |            | I/O      | ST                   | Digital I/O.   |
| PSP3               |            | I/O      | TTL                  | Parallel Slave Port data.  |
| RD4/PSP4/SDO2      | 52         |          |                      |  |
| RD4                |            | I/O      | ST                   | Digital I/O.   |
| PSP4               |            | I/O      | TTL                  | Parallel Slave Port data.  |
| SDO2               |            | O        | —                    | SPI data out.  |
| RD5/PSP5/SDI2/SDA2 | 51         |          |                      |  |
| RD5                |            | I/O      | ST                   | Digital I/O.   |
| PSP5               |            | I/O      | TTL                  | Parallel Slave Port data.  |
| SDI2               |            | I        | ST                   | SPI data in.   |
| SDA2               |            | I/O      | I <sup>2</sup> C/SMB | I <sup>2</sup> C™ data I/O.                                      |
| RD6/PSP6/SCK2/SCL2 | 50         |          |                      |  |
| RD6                |            | I/O      | ST                   | Digital I/O.   |
| PSP6               |            | I/O      | TTL                  | Parallel Slave Port data.  |
| SCK2               |            | I/O      | ST                   | Synchronous serial clock input/output for SPI mode.              |
| SCL2               |            | I/O      | I <sup>2</sup> C/SMB | Synchronous serial clock input/output for I <sup>2</sup> C mode. |
| RD7/PSP7/SS2       | 49         |          |                      |  |
| RD7                |            | I/O      | ST                   | Digital I/O.   |
| PSP7               |            | I/O      | TTL                  | Parallel Slave Port data.  |
| SS2                |            | I        | TTL                  | SPI slave select input.  |

**Legend:** TTL = TTL compatible input    CMOS = CMOS compatible input or output  
 ST = Schmitt Trigger input with CMOS levels Analog = Analog input  
 I = Input    O = Output  
 P = Power    I<sup>2</sup>C™ = I<sup>2</sup>C/SMBus input buffer

**Note 1:** Default assignment for ECCP2 when Configuration bit, CCP2MX, is set.  
**2:** Alternate assignment for ECCP2 when Configuration bit, CCP2MX, is cleared.

# PIC18F8722 FAMILY

TABLE 1-3: PIC18F6527/6622/6627/6722 PINOUT I/O DESCRIPTIONS (CONTINUED)

| Pin Name   | Pin Number | Pin Type        | Buffer Type    | Description   |
|--|------------|-----------------|----------------|---|
|  | TQFP       |                 |                |   |
| RE0/ $\overline{\text{RD}}$ /P2D<br>RE0<br>$\overline{\text{RD}}$<br>P2D | 2          | I/O<br>I<br>O   | ST<br>TTL<br>— | <p>PORTE is a bidirectional I/O port.</p> <p>Digital I/O.<br/>Read control for Parallel Slave Port.<br/>ECCP2 PWM output D.</p> |
| RE1/ $\overline{\text{WR}}$ /P2C<br>RE1<br>$\overline{\text{WR}}$<br>P2C | 1          | I/O<br>I<br>O   | ST<br>TTL<br>— | <p>Digital I/O.<br/>Write control for Parallel Slave Port.<br/>ECCP2 PWM output C.</p>  |
| RE2/ $\overline{\text{CS}}$ /P2B<br>RE2<br>$\overline{\text{CS}}$<br>P2B | 64         | I/O<br>I<br>O   | ST<br>TTL<br>— | <p>Digital I/O.<br/>Chip select control for Parallel Slave Port.<br/>ECCP2 PWM output B.</p>                                    |
| RE3/P3C<br>RE3<br>P3C  | 63         | I/O<br>O        | ST<br>—        | <p>Digital I/O.<br/>ECCP3 PWM output C.</p>   |
| RE4/P3B<br>RE4<br>P3B  | 62         | I/O<br>O        | ST<br>—        | <p>Digital I/O.<br/>ECCP3 PWM output B.</p>   |
| RE5/P1C<br>RE5<br>P1C  | 61         | I/O<br>O        | ST<br>—        | <p>Digital I/O.<br/>ECCP1 PWM output C.</p>   |
| RE6/P1B<br>RE6<br>P1B  | 60         | I/O<br>O        | ST<br>—        | <p>Digital I/O.<br/>ECCP1 PWM output B.</p>   |
| RE7/ECCP2/P2A<br>RE7<br>ECCP2 <sup>(2)</sup><br><br>P2A <sup>(2)</sup>   | 59         | I/O<br>I/O<br>O | ST<br>ST<br>—  | <p>Digital I/O.<br/>Enhanced Capture 2 input/Compare 2 output/<br/>PWM 2 output.<br/>ECCP2 PWM output A.</p>                    |

**Legend:** TTL = TTL compatible input    CMOS = CMOS compatible input or output  
 ST = Schmitt Trigger input with CMOS levels Analog= Analog input  
 I = Input    O = Output  
 P = Power    I<sup>2</sup>C™ = I<sup>2</sup>C/SMBus input buffer

**Note 1:** Default assignment for ECCP2 when Configuration bit, CCP2MX, is set.  
**Note 2:** Alternate assignment for ECCP2 when Configuration bit, CCP2MX, is cleared.

# PIC18F8722 FAMILY

**TABLE 1-3: PIC18F6527/6622/6627/6722 PINOUT I/O DESCRIPTIONS (CONTINUED)**

| Pin Name       | Pin Number | Pin Type      | Buffer Type            | Description   |
|----------------|------------|---------------|------------------------|---|
|                | TQFP       |               |                        |   |
| RF0/AN5        | 18         | I/O<br>I      | ST<br>Analog           | PORTF is a bidirectional I/O port.<br><br>Digital I/O.<br>Analog input 5. |
| RF0            |            |               |                        |   |
| AN5            |            |               |                        |   |
| RF1/AN6/C2OUT  | 17         | I/O<br>I<br>O | ST<br>Analog<br>—      | Digital I/O.<br>Analog input 6.<br>Comparator 2 output.                   |
| RF1            |            |               |                        |   |
| AN6<br>C2OUT   |            |               |                        |   |
| RF2/AN7/C1OUT  | 16         | I/O<br>I<br>O | ST<br>Analog<br>—      | Digital I/O.<br>Analog input 7.<br>Comparator 1 output.                   |
| RF2            |            |               |                        |   |
| AN7<br>C1OUT   |            |               |                        |   |
| RF3/AN8        | 15         | I/O<br>I      | ST<br>Analog           | Digital I/O.<br>Analog input 8.   |
| RF3            |            |               |                        |   |
| AN8            |            |               |                        |   |
| RF4/AN9        | 14         | I/O<br>I      | ST<br>Analog           | Digital I/O.<br>Analog input 9.   |
| RF4            |            |               |                        |   |
| AN9            |            |               |                        |   |
| RF5/AN10/CVREF | 13         | I/O<br>I<br>O | ST<br>Analog<br>Analog | Digital I/O.<br>Analog input 10.<br>Comparator reference voltage output.  |
| RF5            |            |               |                        |   |
| AN10<br>CVREF  |            |               |                        |   |
| RF6/AN11       | 12         | I/O<br>I      | ST<br>Analog           | Digital I/O.<br>Analog input 11.  |
| RF6            |            |               |                        |   |
| AN11           |            |               |                        |   |
| RF7/SS1        | 11         | I/O<br>I      | ST<br>TTL              | Digital I/O.<br>SPI slave select input.                                   |
| RF7            |            |               |                        |   |
| SS1            |            |               |                        |   |

**Legend:** TTL = TTL compatible input    CMOS = CMOS compatible input or output  
 ST = Schmitt Trigger input with CMOS levels    Analog = Analog input  
 I = Input    O = Output  
 P = Power    I<sup>2</sup>C™ = I<sup>2</sup>C/SMBus input buffer

**Note 1:** Default assignment for ECCP2 when Configuration bit, CCP2MX, is set.  
**2:** Alternate assignment for ECCP2 when Configuration bit, CCP2MX, is cleared.

# PIC18F8722 FAMILY

TABLE 1-3: PIC18F6527/6622/6627/6722 PINOUT I/O DESCRIPTIONS (CONTINUED)

| Pin Name                           | Pin Number     | Pin Type | Buffer Type | Description   |
|------------------------------------|----------------|----------|-------------|---|
|                                    | TQFP           |          |             |   |
| PORTG is a bidirectional I/O port. |                |          |             |   |
| RG0/ECCP3/P3A                      | 3              |          |             |   |
| RG0                                |                | I/O      | ST          | Digital I/O.  |
| ECCP3                              |                | I/O      | ST          | Enhanced Capture 3 input/Compare 3 output/PWM 3 output. |
| P3A                                |                | O        | —           | ECCP3 PWM output A.                                     |
| RG1/TX2/CK2                        | 4              |          |             |   |
| RG1                                |                | I/O      | ST          | Digital I/O.  |
| TX2                                |                | O        | —           | EUSART2 asynchronous transmit.                          |
| CK2                                |                | I/O      | ST          | EUSART2 synchronous clock (see related RX2/DT2).        |
| RG2/RX2/DT2                        | 5              |          |             |   |
| RG2                                |                | I/O      | ST          | Digital I/O.  |
| RX2                                |                | I        | ST          | EUSART2 asynchronous receive.                           |
| DT2                                |                | I/O      | ST          | EUSART2 synchronous data (see related TX2/CK2).         |
| RG3/CCP4/P3D                       | 6              |          |             |   |
| RG3                                |                | I/O      | ST          | Digital I/O.  |
| CCP4                               |                | I/O      | ST          | Capture 4 input/Compare 4 output/PWM 4 output.          |
| P3D                                |                | O        | —           | ECCP3 PWM output D.                                     |
| RG4/CCP5/P1D                       | 8              |          |             |   |
| RG4                                |                | I/O      | ST          | Digital I/O.  |
| CCP5                               |                | I/O      | ST          | Capture 5 input/Compare 5 output/PWM 5 output.          |
| P1D                                |                | O        | —           | ECCP1 PWM output D.                                     |
| RG5                                |                |          |             | See RG5/MCLR/VPP pin.                                   |
| VSS                                | 9, 25, 41, 56  | P        | —           | Ground reference for logic and I/O pins.                |
| VDD                                | 10, 26, 38, 57 | P        | —           | Positive supply for logic and I/O pins.                 |
| AVSS                               | 20             | P        | —           | Ground reference for analog modules.                    |
| AVDD                               | 19             | P        | —           | Positive supply for analog modules.                     |

**Legend:** TTL = TTL compatible input    CMOS = CMOS compatible input or output  
 ST = Schmitt Trigger input with CMOS levels Analog= Analog input  
 I = Input    O = Output  
 P = Power    I<sup>2</sup>C™ = I<sup>2</sup>C/SMBus input buffer

**Note 1:** Default assignment for ECCP2 when Configuration bit, CCP2MX, is set.  
**2:** Alternate assignment for ECCP2 when Configuration bit, CCP2MX, is cleared.

# PIC18F8722 FAMILY

**TABLE 1-4: PIC18F8527/8622/8627/8722 PINOUT I/O DESCRIPTIONS**

| Pin Name                             | Pin Number | Pin Type      | Buffer Type       | Description  |
|--------------------------------------|------------|---------------|-------------------|--|
|                                      | TQFP       |               |                   |  |
| RG5/MCLR/VPP<br>RG5<br>MCLR<br>VPP   | 9          | I<br>I<br>P   | ST<br>ST          | Master Clear (input) or programming voltage (input).<br>Digital input.<br>Master Clear (Reset) input. This pin is an active-low Reset to the device.<br>Programming voltage input.   |
| OSC1/CLKI/RA7<br>OSC1<br>CLKI<br>RA7 | 49         | I<br>I<br>I/O | ST<br>CMOS<br>TTL | Oscillator crystal or external clock input.<br>Oscillator crystal input or external clock source input. ST buffer when configured in RC mode, CMOS otherwise.<br>External clock source input. Always associated with pin function OSC1. (See related OSC1/CLKI, OSC2/CLKO pins.)<br>General purpose I/O pin. |
| OSC2/CLKO/RA6<br>OSC2<br>CLKO<br>RA6 | 50         | O<br>O<br>I/O | —<br>—<br>TTL     | Oscillator crystal or clock output.<br>Oscillator crystal output. Connects to crystal or resonator in Crystal Oscillator mode.<br>In RC mode, OSC2 pin outputs CLKO, which has 1/4 the frequency of OSC1 and denotes the instruction cycle rate.<br>General purpose I/O pin.                                 |

**Legend:** TTL = TTL compatible input    CMOS = CMOS compatible input or output  
 ST = Schmitt Trigger input with CMOS levels Analog = Analog input  
 I = Input    O = Output  
 P = Power    I<sup>2</sup>C™/SMB = I<sup>2</sup>C/SMBus input buffer

- Note 1:** Alternate assignment for ECCP2 when Configuration bit, CCP2MX, is cleared (all operating modes except Microcontroller mode).  
**2:** Default assignment for ECCP2 in all operating modes (CCP2MX is set).  
**3:** Alternate assignment for ECCP2 when CCP2MX is cleared (Microcontroller mode only).  
**4:** Default assignment for P1B/P1C/P3B/P3C (ECCPMX is set).  
**5:** Alternate assignment for P1B/P1C/P3B/P3C (ECCPMX is clear).

# PIC18F8722 FAMILY

TABLE 1-4: PIC18F8527/8622/8627/8722 PINOUT I/O DESCRIPTIONS (CONTINUED)

| Pin Name                               | Pin Number | Pin Type      | Buffer Type             | Description  |
|--|------------|---------------|-------------------------|--|
|  | TQFP       |               |                         |  |
| RA0/AN0<br>RA0<br>AN0                  | 30         | I/O<br>I      | TTL<br>Analog           | PORTA is a bidirectional I/O port.<br><br>Digital I/O.<br>Analog input 0.          |
| RA1/AN1<br>RA1<br>AN1                  | 29         | I/O<br>I      | TTL<br>Analog           | Digital I/O.<br>Analog input 1.  |
| RA2/AN2/VREF-<br>RA2<br>AN2<br>VREF-   | 28         | I/O<br>I<br>I | TTL<br>Analog<br>Analog | Digital I/O.<br>Analog input 2.<br>A/D reference voltage (low) input.              |
| RA3/AN3/VREF+<br>RA3<br>AN3<br>VREF+   | 27         | I/O<br>I<br>I | TTL<br>Analog<br>Analog | Digital I/O.<br>Analog input 3.<br>A/D reference voltage (high) input.             |
| RA4/T0CKI<br>RA4<br>T0CKI              | 34         | I/O<br>I      | ST/OD<br>ST             | Digital I/O. Open-drain when configured as output.<br>Timer0 external clock input. |
| RA5/AN4/HLVDIN<br>RA5<br>AN4<br>HLVDIN | 33         | I/O<br>I<br>I | TTL<br>Analog<br>Analog | Digital I/O.<br>Analog input 4.<br>High/Low-Voltage Detect input.                  |
| RA6                                    |            |               |                         | See the OSC2/CLKO/RA6 pin.   |
| RA7                                    |            |               |                         | See the OSC1/CLKI/RA7 pin.   |

**Legend:** TTL = TTL compatible input CMOS = CMOS compatible input or output  
 ST = Schmitt Trigger input with CMOS levels Analog= Analog input  
 I = Input O = Output  
 P = Power I<sup>2</sup>C<sup>TM</sup>/SMB = I<sup>2</sup>C/SMBus input buffer

- Note 1:** Alternate assignment for ECCP2 when Configuration bit, CCP2MX, is cleared (all operating modes except Microcontroller mode).  
**2:** Default assignment for ECCP2 in all operating modes (CCP2MX is set).  
**3:** Alternate assignment for ECCP2 when CCP2MX is cleared (Microcontroller mode only).  
**4:** Default assignment for P1B/P1C/P3B/P3C (ECCPMX is set).  
**5:** Alternate assignment for P1B/P1C/P3B/P3C (ECCPMX is clear).



# PIC18F8722 FAMILY

**TABLE 1-4: PIC18F8527/8622/8627/8722 PINOUT I/O DESCRIPTIONS (CONTINUED)**

| Pin Name  | Pin Number | Pin Type               | Buffer Type             | Description  |
|---|------------|------------------------|-------------------------|--|
|   | TQFP       |                        |                         |  |
| RB0/INT0/FLT0<br>RB0<br>INT0<br>FLT0  | 58         | I/O<br>I<br>I          | TTL<br>ST<br>ST         | PORTB is a bidirectional I/O port. PORTB can be software programmed for internal weak pull-ups on all inputs.<br>Digital I/O.<br>External interrupt 0.<br>PWM Fault input for ECCPx. |
| RB1/INT1<br>RB1<br>INT1   | 57         | I/O<br>I               | TTL<br>ST               | Digital I/O.<br>External interrupt 1.  |
| RB2/INT2<br>RB2<br>INT2   | 56         | I/O<br>I               | TTL<br>ST               | Digital I/O.<br>External interrupt 2.  |
| RB3/INT3/ECCP2/P2A<br>RB3<br>INT3<br>ECCP2 <sup>(1)</sup><br><br>P2A <sup>(1)</sup> | 55         | I/O<br>I<br>O<br><br>O | TTL<br>ST<br>—<br><br>— | Digital I/O.<br>External interrupt 3.<br>Enhanced Capture 2 input/Compare 2 output/<br>PWM 2 output.<br>ECCP2 PWM output A.  |
| RB4/KBI0<br>RB4<br>KBI0   | 54         | I/O<br>I               | TTL<br>TTL              | Digital I/O.<br>Interrupt-on-change pin.   |
| RB5/KBI1/PGM<br>RB5<br>KBI1<br>PGM  | 53         | I/O<br>I<br>I/O        | TTL<br>TTL<br>ST        | Digital I/O.<br>Interrupt-on-change pin.<br>Low-Voltage ICSP™ Programming enable pin.  |
| RB6/KBI2/PGC<br>RB6<br>KBI2<br>PGC  | 52         | I/O<br>I<br>I/O        | TTL<br>TTL<br>ST        | Digital I/O.<br>Interrupt-on-change pin.<br>In-Circuit Debugger and ICSP™ programming clock pin.   |
| RB7/KBI3/PGD<br>RB7<br>KBI3<br>PGD  | 47         | I/O<br>I<br>I/O        | TTL<br>TTL<br>ST        | Digital I/O.<br>Interrupt-on-change pin.<br>In-Circuit Debugger and ICSP programming data pin.   |

**Legend:** TTL = TTL compatible input CMOS = CMOS compatible input or output  
 ST = Schmitt Trigger input with CMOS levels Analog = Analog input  
 I = Input O = Output  
 P = Power I<sup>2</sup>C™/SMB = I<sup>2</sup>C/SMBus input buffer

- Note 1:** Alternate assignment for ECCP2 when Configuration bit, CCP2MX, is cleared (all operating modes except Microcontroller mode).  
**2:** Default assignment for ECCP2 in all operating modes (CCP2MX is set).  
**3:** Alternate assignment for ECCP2 when CCP2MX is cleared (Microcontroller mode only).  
**4:** Default assignment for P1B/P1C/P3B/P3C (ECCPMX is set).  
**5:** Alternate assignment for P1B/P1C/P3B/P3C (ECCPMX is clear).

# PIC18F8722 FAMILY

**TABLE 1-4: PIC18F8527/8622/8627/8722 PINOUT I/O DESCRIPTIONS (CONTINUED)**

| Pin Name             | Pin Number | Pin Type | Buffer Type | Description   |
|----------------------|------------|----------|-------------|---|
|                      | TQFP       |          |             |   |
| RC0/T1OSO/T13CKI     | 36         |          |             | PORTC is a bidirectional I/O port.                                |
| RC0                  |            | I/O      | ST          | Digital I/O.  |
| T1OSO                |            | O        | —           | Timer1 oscillator output.   |
| T13CKI               |            | I        | ST          | Timer1/Timer3 external clock input.                               |
| RC1/T1OSI/ECCP2/P2A  | 35         |          |             |   |
| RC1                  |            | I/O      | ST          | Digital I/O.  |
| T1OSI                |            | I        | CMOS        | Timer1 oscillator input.  |
| ECCP2 <sup>(2)</sup> |            | I/O      | ST          | Enhanced Capture 2 input/Compare 2 output/<br>PWM 2 output.       |
| P2A <sup>(2)</sup>   |            | O        | —           | ECCP2 PWM output A.   |
| RC2/ECCP1/P1A        | 43         |          |             |   |
| RC2                  |            | I/O      | ST          | Digital I/O.  |
| ECCP1                |            | I/O      | ST          | Enhanced Capture 1 input/Compare 1 output/<br>PWM 1 output.       |
| P1A                  |            | O        | —           | ECCP1 PWM output A.   |
| RC3/SCK1/SCL1        | 44         |          |             |   |
| RC3                  |            | I/O      | ST          | Digital I/O.  |
| SCK1                 |            | I/O      | ST          | Synchronous serial clock input/output for SPI mode.               |
| SCL1                 |            | I/O      | ST          | Synchronous serial clock input/output for I <sup>2</sup> C™ mode. |
| RC4/SDI1/SDA1        | 45         |          |             |   |
| RC4                  |            | I/O      | ST          | Digital I/O.  |
| SDI1                 |            | I        | ST          | SPI data in.  |
| SDA1                 |            | I/O      | ST          | I <sup>2</sup> C data I/O.  |
| RC5/SDO1             | 46         |          |             |   |
| RC5                  |            | I/O      | ST          | Digital I/O.  |
| SDO1                 |            | O        | —           | SPI data out.   |
| RC6/TX1/CK1          | 37         |          |             |   |
| RC6                  |            | I/O      | ST          | Digital I/O.  |
| TX1                  |            | O        | —           | EUSART1 asynchronous transmit.                                    |
| CK1                  |            | I/O      | ST          | EUSART1 synchronous clock (see related RX1/DT1).                  |
| RC7/RX1/DT1          | 38         |          |             |   |
| RC7                  |            | I/O      | ST          | Digital I/O.  |
| RX1                  |            | I        | ST          | EUSART1 asynchronous receive.                                     |
| DT1                  |            | I/O      | ST          | EUSART1 synchronous data (see related TX1/CK1).                   |

**Legend:** TTL = TTL compatible input    CMOS = CMOS compatible input or output  
 ST = Schmitt Trigger input with CMOS levels Analog = Analog input  
 I = Input    O = Output  
 P = Power    I<sup>2</sup>C™/SMB = I<sup>2</sup>C/SMBus input buffer

**Note 1:** Alternate assignment for ECCP2 when Configuration bit, CCP2MX, is cleared (all operating modes except Microcontroller mode).

**2:** Default assignment for ECCP2 in all operating modes (CCP2MX is set).

**3:** Alternate assignment for ECCP2 when CCP2MX is cleared (Microcontroller mode only).

**4:** Default assignment for P1B/P1C/P3B/P3C (ECCPMX is set).

**5:** Alternate assignment for P1B/P1C/P3B/P3C (ECCPMX is clear).

# PIC18F8722 FAMILY

**TABLE 1-4: PIC18F8527/8622/8627/8722 PINOUT I/O DESCRIPTIONS (CONTINUED)**

| Pin Name                   | Pin Number | Pin Type | Buffer Type          | Description  |
|----------------------------|------------|----------|----------------------|--|
|                            | TQFP       |          |                      |  |
| RD0/AD0/PSP0               | 72         |          |                      | PORTD is a bidirectional I/O port.                               |
| RD0                        |            | I/O      | ST                   | Digital I/O.   |
| AD0                        |            | I/O      | TTL                  | External memory address/data 0.                                  |
| PSP0                       |            | I/O      | TTL                  | Parallel Slave Port data.  |
| RD1/AD1/PSP1               | 69         |          |                      |  |
| RD1                        |            | I/O      | ST                   | Digital I/O.   |
| AD1                        |            | I/O      | TTL                  | External memory address/data 1.                                  |
| PSP1                       |            | I/O      | TTL                  | Parallel Slave Port data.  |
| RD2/AD2/PSP2               | 68         |          |                      |  |
| RD2                        |            | I/O      | ST                   | Digital I/O.   |
| AD2                        |            | I/O      | TTL                  | External memory address/data 2.                                  |
| PSP2                       |            | I/O      | TTL                  | Parallel Slave Port data.  |
| RD3/AD3/PSP3               | 67         |          |                      |  |
| RD3                        |            | I/O      | ST                   | Digital I/O.   |
| AD3                        |            | I/O      | TTL                  | External memory address/data 3.                                  |
| PSP3                       |            | I/O      | TTL                  | Parallel Slave Port data.  |
| RD4/AD4/PSP4/SDO2          | 66         |          |                      |  |
| RD4                        |            | I/O      | ST                   | Digital I/O.   |
| AD4                        |            | I/O      | TTL                  | External memory address/data 4.                                  |
| PSP4                       |            | I/O      | TTL                  | Parallel Slave Port data.  |
| SDO2                       |            | O        | —                    | SPI data out.  |
| RD5/AD5/PSP5/<br>SDI2/SDA2 | 65         |          |                      |  |
| RD5                        |            | I/O      | ST                   | Digital I/O.   |
| AD5                        |            | I/O      | TTL                  | External memory address/data 5.                                  |
| PSP5                       |            | I/O      | TTL                  | Parallel Slave Port data.  |
| SDI2                       |            | I        | ST                   | SPI data in.   |
| SDA2                       |            | I/O      | I <sup>2</sup> C/SMB | I <sup>2</sup> C™ data I/O.                                      |
| RD6/AD6/PSP6/<br>SCK2/SCL2 | 64         |          |                      |  |
| RD6                        |            | I/O      | ST                   | Digital I/O.   |
| AD6                        |            | I/O      | TTL                  | External memory address/data 6.                                  |
| PSP6                       |            | I/O      | TTL                  | Parallel Slave Port data.  |
| SCK2                       |            | I/O      | ST                   | Synchronous serial clock input/output for SPI mode.              |
| SCL2                       |            | I/O      | I <sup>2</sup> C/SMB | Synchronous serial clock input/output for I <sup>2</sup> C mode. |
| RD7/AD7/PSP7/ <u>SS2</u>   | 63         |          |                      |  |
| RD7                        |            | I/O      | ST                   | Digital I/O.   |
| AD7                        |            | I/O      | TTL                  | External memory address/data 7.                                  |
| PSP7                       |            | I/O      | TTL                  | Parallel Slave Port data.  |
| SS2                        |            | I        | TTL                  | SPI slave select input.  |

**Legend:** TTL = TTL compatible input    CMOS = CMOS compatible input or output  
 ST = Schmitt Trigger input with CMOS levels    Analog = Analog input  
 I = Input    O = Output  
 P = Power    I<sup>2</sup>C™/SMB = I<sup>2</sup>C/SMBus input buffer

- Note 1:** Alternate assignment for ECCP2 when Configuration bit, CCP2MX, is cleared (all operating modes except Microcontroller mode).
- 2:** Default assignment for ECCP2 in all operating modes (CCP2MX is set).
- 3:** Alternate assignment for ECCP2 when CCP2MX is cleared (Microcontroller mode only).
- 4:** Default assignment for P1B/P1C/P3B/P3C (ECCPMX is set).
- 5:** Alternate assignment for P1B/P1C/P3B/P3C (ECCPMX is clear).

# PIC18F8722 FAMILY

**TABLE 1-4: PIC18F8527/8622/8627/8722 PINOUT I/O DESCRIPTIONS (CONTINUED)**

| Pin Name                              | Pin Number | Pin Type | Buffer Type | Description   |
|---------------------------------------|------------|----------|-------------|---|
|                                       | TQFP       |          |             |   |
| RE0/AD8/ $\overline{\text{RD}}$ /P2D  | 4          |          |             | PORTE is a bidirectional I/O port.                          |
| RE0                                   |            | I/O      | ST          | Digital I/O.  |
| AD8                                   |            | I/O      | TTL         | External memory address/data 8.                             |
| $\overline{\text{RD}}$                |            | I        | TTL         | Read control for Parallel Slave Port.                       |
| P2D                                   |            | O        | —           | ECCP2 PWM output D.   |
| RE1/AD9/ $\overline{\text{WR}}$ /P2C  | 3          |          |             |   |
| RE1                                   |            | I/O      | ST          | Digital I/O.  |
| AD9                                   |            | I/O      | TTL         | External memory address/data 9.                             |
| $\overline{\text{WR}}$                |            | I        | TTL         | Write control for Parallel Slave Port.                      |
| P2C                                   |            | O        | —           | ECCP2 PWM output C.   |
| RE2/AD10/ $\overline{\text{CS}}$ /P2B | 78         |          |             |   |
| RE2                                   |            | I/O      | ST          | Digital I/O.  |
| AD10                                  |            | I/O      | TTL         | External memory address/data 10.                            |
| $\overline{\text{CS}}$                |            | I        | TTL         | Chip select control for Parallel Slave Port.                |
| P2B                                   |            | O        | —           | ECCP2 PWM output B.   |
| RE3/AD11/P3C                          | 77         |          |             |   |
| RE3                                   |            | I/O      | ST          | Digital I/O.  |
| AD11                                  |            | I/O      | TTL         | External memory address/data 11.                            |
| P3C <sup>(4)</sup>                    |            | O        | —           | ECCP3 PWM output C.   |
| RE4/AD12/P3B                          | 76         |          |             |   |
| RE4                                   |            | I/O      | ST          | Digital I/O.  |
| AD12                                  |            | I/O      | TTL         | External memory address/data 12.                            |
| P3B <sup>(4)</sup>                    |            | O        | —           | ECCP3 PWM output B.   |
| RE5/AD13/P1C                          | 75         |          |             |   |
| RE5                                   |            | I/O      | ST          | Digital I/O.  |
| AD13                                  |            | I/O      | TTL         | External memory address/data 13.                            |
| P1C <sup>(4)</sup>                    |            | O        | —           | ECCP1 PWM output C.   |
| RE6/AD14/P1B                          | 74         |          |             |   |
| RE6                                   |            | I/O      | ST          | Digital I/O.  |
| AD14                                  |            | I/O      | TTL         | External memory address/data 14.                            |
| P1B <sup>(4)</sup>                    |            | O        | —           | ECCP1 PWM output B.   |
| RE7/AD15/ECCP2/P2A                    | 73         |          |             |   |
| RE7                                   |            | I/O      | ST          | Digital I/O.  |
| AD15                                  |            | I/O      | TTL         | External memory address/data 15.                            |
| ECCP2 <sup>(3)</sup>                  |            | I/O      | ST          | Enhanced Capture 2 input/Compare 2 output/<br>PWM 2 output. |
| P2A <sup>(3)</sup>                    |            | O        | —           | ECCP2 PWM output A.   |

**Legend:** TTL = TTL compatible input    CMOS = CMOS compatible input or output  
 ST = Schmitt Trigger input with CMOS levels    Analog = Analog input  
 I = Input    O = Output  
 P = Power    I<sup>2</sup>C<sup>™</sup>/SMB = I<sup>2</sup>C/SMBus input buffer

- Note 1:** Alternate assignment for ECCP2 when Configuration bit, CCP2MX, is cleared (all operating modes except Microcontroller mode).  
**2:** Default assignment for ECCP2 in all operating modes (CCP2MX is set).  
**3:** Alternate assignment for ECCP2 when CCP2MX is cleared (Microcontroller mode only).  
**4:** Default assignment for P1B/P1C/P3B/P3C (ECCPMX is set).  
**5:** Alternate assignment for P1B/P1C/P3B/P3C (ECCPMX is clear).

# PIC18F8722 FAMILY

**TABLE 1-4: PIC18F8527/8622/8627/8722 PINOUT I/O DESCRIPTIONS (CONTINUED)**

| Pin Name                               | Pin Number | Pin Type      | Buffer Type            | Description   |
|--|------------|---------------|------------------------|---|
|  | TQFP       |               |                        |   |
| RF0/AN5<br>RF0<br>AN5                  | 24         | I/O<br>I      | ST<br>Analog           | PORTF is a bidirectional I/O port.<br><br>Digital I/O.<br>Analog input 5. |
| RF1/AN6/C2OUT<br>RF1<br>AN6<br>C2OUT   | 23         | I/O<br>I<br>O | ST<br>Analog<br>—      | Digital I/O.<br>Analog input 6.<br>Comparator 2 output.                   |
| RF2/AN7/C1OUT<br>RF2<br>AN7<br>C1OUT   | 18         | I/O<br>I<br>O | ST<br>Analog<br>—      | Digital I/O.<br>Analog input 7.<br>Comparator 1 output.                   |
| RF3/AN8<br>RF3<br>AN8                  | 17         | I/O<br>I      | ST<br>Analog           | Digital I/O.<br>Analog input 8.   |
| RF4/AN9<br>RF4<br>AN9                  | 16         | I/O<br>I      | ST<br>Analog           | Digital I/O.<br>Analog input 9.   |
| RF5/AN10/CVREF<br>RF5<br>AN10<br>CVREF | 15         | I/O<br>I<br>O | ST<br>Analog<br>Analog | Digital I/O.<br>Analog input 10.<br>Comparator reference voltage output.  |
| RF6/AN11<br>RF6<br>AN11                | 14         | I/O<br>I      | ST<br>Analog           | Digital I/O.<br>Analog input 11.  |
| RF7/SS1<br>RF7<br>SS1                  | 13         | I/O<br>I      | ST<br>TTL              | Digital I/O.<br>SPI slave select input.                                   |

**Legend:** TTL = TTL compatible input    CMOS = CMOS compatible input or output  
 ST = Schmitt Trigger input with CMOS levels    Analog = Analog input  
 I = Input    O = Output  
 P = Power    I<sup>2</sup>C™/SMB = I<sup>2</sup>C/SMBus input buffer

- Note 1:** Alternate assignment for ECCP2 when Configuration bit, CCP2MX, is cleared (all operating modes except Microcontroller mode).  
**2:** Default assignment for ECCP2 in all operating modes (CCP2MX is set).  
**3:** Alternate assignment for ECCP2 when CCP2MX is cleared (Microcontroller mode only).  
**4:** Default assignment for P1B/P1C/P3B/P3C (ECCPMX is set).  
**5:** Alternate assignment for P1B/P1C/P3B/P3C (ECCPMX is clear).

# PIC18F8722 FAMILY

**TABLE 1-4: PIC18F8527/8622/8627/8722 PINOUT I/O DESCRIPTIONS (CONTINUED)**

| Pin Name      | Pin Number | Pin Type | Buffer Type | Description   |
|---------------|------------|----------|-------------|---|
|               | TQFP       |          |             |   |
| RG0/ECCP3/P3A | 5          |          |             | PORTG is a bidirectional I/O port.                      |
| RG0           |            | I/O      | ST          | Digital I/O.  |
| ECCP3         |            | I/O      | ST          | Enhanced Capture 3 input/Compare 3 output/PWM 3 output. |
| P3A           |            | O        | —           | ECCP3 PWM output A.                                     |
| RG1/TX2/CK2   | 6          |          |             |   |
| RG1           |            | I/O      | ST          | Digital I/O.  |
| TX2           |            | O        | —           | EUSART2 asynchronous transmit.                          |
| CK2           |            | I/O      | ST          | EUSART2 synchronous clock (see related RX2/DT2).        |
| RG2/RX2/DT2   | 7          |          |             |   |
| RG2           |            | I/O      | ST          | Digital I/O.  |
| RX2           |            | I        | ST          | EUSART2 asynchronous receive.                           |
| DT2           |            | I/O      | ST          | EUSART2 synchronous data (see related TX2/CK2).         |
| RG3/CCP4/P3D  | 8          |          |             |   |
| RG3           |            | I/O      | ST          | Digital I/O.  |
| CCP4          |            | I/O      | ST          | Capture 4 input/Compare 4 output/PWM 4 output.          |
| P3D           |            | O        | —           | ECCP3 PWM output D.                                     |
| RG4/CCP5/P1D  | 10         |          |             |   |
| RG4           |            | I/O      | ST          | Digital I/O.  |
| CCP5          |            | I/O      | ST          | Capture 5 input/Compare 5 output/PWM 5 output.          |
| P1D           |            | O        | —           | ECCP1 PWM output D.                                     |
| RG5           |            |          |             | See RG5/ $\overline{\text{MCLR}}$ /VPP pin.             |

**Legend:** TTL = TTL compatible input    CMOS = CMOS compatible input or output  
 ST = Schmitt Trigger input with CMOS levels    Analog = Analog input  
 I = Input    O = Output  
 P = Power    I<sup>2</sup>C<sup>™</sup>/SMB = I<sup>2</sup>C/SMBus input buffer

- Note 1:** Alternate assignment for ECCP2 when Configuration bit, CCP2MX, is cleared (all operating modes except Microcontroller mode).  
**2:** Default assignment for ECCP2 in all operating modes (CCP2MX is set).  
**3:** Alternate assignment for ECCP2 when CCP2MX is cleared (Microcontroller mode only).  
**4:** Default assignment for P1B/P1C/P3B/P3C (ECCPMX is set).  
**5:** Alternate assignment for P1B/P1C/P3B/P3C (ECCPMX is clear).

# PIC18F8722 FAMILY

**TABLE 1-4: PIC18F8527/8622/8627/8722 PINOUT I/O DESCRIPTIONS (CONTINUED)**

| Pin Name  | Pin Number | Pin Type      | Buffer Type       | Description   |
|---|------------|---------------|-------------------|---|
|   | TQFP       |               |                   |   |
|   |            |               |                   | PORTH is a bidirectional I/O port.                      |
| RH0/A16<br>RH0<br>A16                             | 79         | I/O<br>I/O    | ST<br>TTL         | Digital I/O.<br>External memory address/data 16.        |
| RH1/A17<br>RH1<br>A17                             | 80         | I/O<br>I/O    | ST<br>TTL         | Digital I/O.<br>External memory address/data 17.        |
| RH2/A18<br>RH2<br>A18                             | 1          | I/O<br>I/O    | ST<br>TTL         | Digital I/O.<br>External memory address/data 18.        |
| RH3/A19<br>RH3<br>A19                             | 2          | I/O<br>I/O    | ST<br>TTL         | Digital I/O.<br>External memory address/data 19.        |
| RH4/AN12/P3C<br>RH4<br>AN12<br>P3C <sup>(5)</sup> | 22         | I/O<br>I<br>O | ST<br>Analog<br>— | Digital I/O.<br>Analog input 12.<br>ECCP3 PWM output C. |
| RH5/AN13/P3B<br>RH5<br>AN13<br>P3B <sup>(5)</sup> | 21         | I/O<br>I<br>O | ST<br>Analog<br>— | Digital I/O.<br>Analog input 13.<br>ECCP3 PWM output B. |
| RH6/AN14/P1C<br>RH6<br>AN14<br>P1C <sup>(5)</sup> | 20         | I/O<br>I<br>O | ST<br>Analog<br>— | Digital I/O.<br>Analog input 14.<br>ECCP1 PWM output C. |
| RH7/AN15/P1B<br>RH7<br>AN15<br>P1B <sup>(5)</sup> | 19         | I/O<br>I<br>O | ST<br>Analog<br>— | Digital I/O.<br>Analog input 15.<br>ECCP1 PWM output B. |

**Legend:** TTL = TTL compatible input    CMOS = CMOS compatible input or output  
 ST = Schmitt Trigger input with CMOS levels    Analog = Analog input  
 I = Input    O = Output  
 P = Power    I<sup>2</sup>C™/SMB = I<sup>2</sup>C/SMBus input buffer

**Note 1:** Alternate assignment for ECCP2 when Configuration bit, CCP2MX, is cleared (all operating modes except Microcontroller mode).

**2:** Default assignment for ECCP2 in all operating modes (CCP2MX is set).

**3:** Alternate assignment for ECCP2 when CCP2MX is cleared (Microcontroller mode only).

**4:** Default assignment for P1B/P1C/P3B/P3C (ECCPMX is set).

**5:** Alternate assignment for P1B/P1C/P3B/P3C (ECCPMX is clear).

# PIC18F8722 FAMILY

TABLE 1-4: PIC18F8527/8622/8627/8722 PINOUT I/O DESCRIPTIONS (CONTINUED)

| Pin Name   | Pin Number     | Pin Type | Buffer Type | Description   |
|--|----------------|----------|-------------|---|
|  | TQFP           |          |             |   |
| RJ0/ALE<br>RJ0<br>ALE  | 62             | I/O<br>O | ST<br>—     | PORTJ is a bidirectional I/O port.<br><br>Digital I/O.<br>External memory address latch enable. |
| RJ1/ $\overline{\text{OE}}$<br>RJ1<br>$\overline{\text{OE}}$   | 61             | I/O<br>O | ST<br>—     | Digital I/O.<br>External memory output enable.  |
| RJ2/ $\overline{\text{WRL}}$<br>RJ2<br>$\overline{\text{WRL}}$ | 60             | I/O<br>O | ST<br>—     | Digital I/O.<br>External memory write low control.  |
| RJ3/ $\overline{\text{WRH}}$<br>RJ3<br>$\overline{\text{WRH}}$ | 59             | I/O<br>O | ST<br>—     | Digital I/O.<br>External memory write high control.   |
| RJ4/BA0<br>RJ4<br>BA0  | 39             | I/O<br>O | ST<br>—     | Digital I/O.<br>External memory byte address 0 control.   |
| RJ5/ $\overline{\text{CE}}$<br>RJ4<br>$\overline{\text{CE}}$   | 40             | I/O<br>O | ST<br>—     | Digital I/O<br>External memory chip enable control.   |
| RJ6/ $\overline{\text{LB}}$<br>RJ6<br>$\overline{\text{LB}}$   | 41             | I/O<br>O | ST<br>—     | Digital I/O.<br>External memory low byte control.   |
| RJ7/ $\overline{\text{UB}}$<br>RJ7<br>$\overline{\text{UB}}$   | 42             | I/O<br>O | ST<br>—     | Digital I/O.<br>External memory high byte control.  |
| Vss  | 11, 31, 51, 70 | P        | —           | Ground reference for logic and I/O pins.  |
| VDD  | 12, 32, 48, 71 | P        | —           | Positive supply for logic and I/O pins.   |
| AVss   | 26             | P        | —           | Ground reference for analog modules.  |
| AVDD   | 25             | P        | —           | Positive supply for analog modules.   |

**Legend:** TTL = TTL compatible input    CMOS = CMOS compatible input or output  
 ST = Schmitt Trigger input with CMOS levels Analog= Analog input  
 I = Input    O = Output  
 P = Power    I<sup>2</sup>C™/SMB = I<sup>2</sup>C/SMBus input buffer

- Note 1:** Alternate assignment for ECCP2 when Configuration bit, CCP2MX, is cleared (all operating modes except Microcontroller mode).  
**2:** Default assignment for ECCP2 in all operating modes (CCP2MX is set).  
**3:** Alternate assignment for ECCP2 when CCP2MX is cleared (Microcontroller mode only).  
**4:** Default assignment for P1B/P1C/P3B/P3C (ECCPMX is set).  
**5:** Alternate assignment for P1B/P1C/P3B/P3C (ECCPMX is clear).



## 2.0 OSCILLATOR CONFIGURATIONS

### 2.1 Oscillator Types

The PIC18F8722 family of devices can be operated in ten different oscillator modes. The user can program the Configuration bits, FOSC<3:0>, in Configuration Register 1H to select one of these ten modes:

1. LP Low-Power Crystal
2. XT Crystal/Resonator
3. HS High-Speed Crystal/Resonator
4. HSPLL High-Speed Crystal/Resonator with PLL enabled
5. RC External Resistor/Capacitor with Fosc/4 output on RA6
6. RCIO External Resistor/Capacitor with I/O on RA6
7. INTIO1 Internal Oscillator with Fosc/4 output on RA6 and I/O on RA7
8. INTIO2 Internal Oscillator with I/O on RA6 and RA7
9. EC External Clock with Fosc/4 output
10. ECIO External Clock with I/O on RA6

### 2.2 Crystal Oscillator/Ceramic Resonators

In XT, LP, HS or HSPLL Oscillator modes, a crystal or ceramic resonator is connected to the OSC1 and OSC2 pins to establish oscillation. Figure 2-1 shows the pin connections.

The oscillator design requires the use of a parallel cut crystal.

**Note:** Use of a series cut crystal may give a frequency out of the crystal manufacturer's specifications.

**FIGURE 2-1: CRYSTAL/CERAMIC RESONATOR OPERATION (XT, LP, HS OR HSPLL CONFIGURATION)**



**TABLE 2-1: CAPACITOR SELECTION FOR CERAMIC RESONATORS**

| Typical Capacitor Values Used: |          |       |       |
|--------------------------------|----------|-------|-------|
| Mode                           | Freq     | OSC1  | OSC2  |
| XT                             | 3.58 MHz | 22 pF | 22 pF |

**Capacitor values are for design guidance only.**

Different capacitor values may be required to produce acceptable oscillator operation. The user should test the performance of the oscillator over the expected VDD and temperature range for the application. Refer to the following application notes for oscillator specific information:

- AN588 – PIC® Microcontroller Oscillator Design Guide
- AN826 – Crystal Oscillator Basics and Crystal Selection for rfPIC® and PIC® Devices
- AN849 – Basic PIC® Oscillator Design
- AN943 – Practical PIC® Oscillator Analysis and Design
- AN949 – Making Your Oscillator Work

See the notes following Table 2-2 for additional information.

**Note:** When using resonators with frequencies above 3.5 MHz, the use of HS mode, rather than XT mode, is recommended. HS mode may be used at any VDD for which the controller is rated. If HS is selected, it is possible that the gain of the oscillator will overdrive the resonator. Therefore, a series resistor may be placed between the OSC2 pin and the resonator. As a good starting point, the recommended value of Rs is 330Ω.

# PIC18F8722 FAMILY

**TABLE 2-2: CAPACITOR SELECTION FOR QUARTZ CRYSTALS**

| Osc Type | Crystal Freq | Typical Capacitor Values Tested: |       |
|----------|--------------|----------------------------------|-------|
|          |              | C1                               | C2    |
| LP       | 32 kHz       | 22 pF                            | 22 pF |
| XT       | 1 MHz        | 22 pF                            | 22 pF |
|          | 4 MHz        | 22 pF                            | 22 pF |
| HS       | 4 MHz        | 22 pF                            | 22 pF |
|          | 10 MHz       | 22 pF                            | 22 pF |
|          | 20 MHz       | 22 pF                            | 22 pF |
|          | 25 MHz       | 22 pF                            | 22 pF |

**Capacitor values are for design guidance only.**

Different capacitor values may be required to produce acceptable oscillator operation. The user should test the performance of the oscillator over the expected VDD and temperature range for the application. Refer to the following application notes for oscillator specific information:

- AN588 – PIC® Microcontroller Oscillator Design Guide
- AN826 – Crystal Oscillator Basics and Crystal Selection for rPIC® and PIC® Devices
- AN849 – Basic PIC® Oscillator Design
- AN943 – Practical PIC® Oscillator Analysis and Design
- AN949 – Making Your Oscillator Work

See the notes following this table for additional information.

- Note 1:** Higher capacitance increases the stability of the oscillator but also increases the start-up time.
- 2: When operating below 3V VDD, or when using certain ceramic resonators at any voltage, it may be necessary to use the HS mode or switch to a crystal oscillator.
  - 3: Since each resonator/crystal has its own characteristics, the user should consult the resonator/crystal manufacturer for appropriate values of external components.
  - 4: Rs may be required to avoid overdriving crystals with low drive level specification.
  - 5: Always verify oscillator performance over the VDD and temperature range that is expected for the application.

An external clock source may also be connected to the OSC1 pin in the HS mode, as shown in Figure 2-2. When operated in this mode, parameters D033 and D043 apply.

**FIGURE 2-2: EXTERNAL CLOCK INPUT OPERATION (HS OSC CONFIGURATION)**



## 2.3 External Clock Input

The EC and ECIO Oscillator modes require an external clock source to be connected to the OSC1 pin. There is no oscillator start-up time required after a Power-on Reset or after an exit from Sleep mode.

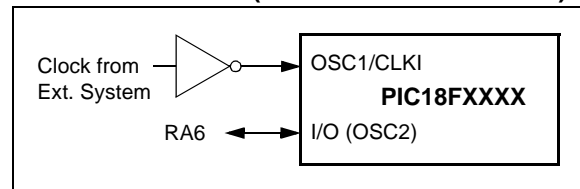
In the EC Oscillator mode, the oscillator frequency divided by 4 is available on the OSC2 pin. This signal may be used for test purposes or to synchronize other logic. Figure 2-3 shows the pin connections for the EC Oscillator mode.

**FIGURE 2-3: EXTERNAL CLOCK INPUT OPERATION (EC CONFIGURATION)**



The ECIO Oscillator mode functions like the EC mode, except that the OSC2 pin becomes an additional general purpose I/O pin. The I/O pin becomes bit 6 of PORTA (RA6). Figure 2-4 shows the pin connections for the ECIO Oscillator mode. When operated in this mode, parameters D033A and D043A apply.

**FIGURE 2-4: EXTERNAL CLOCK INPUT OPERATION (ECIO CONFIGURATION)**



## 2.4 RC Oscillator

For timing insensitive applications, the RC and RCIO Oscillator modes offer additional cost savings. The actual oscillator frequency is a function of several factors:

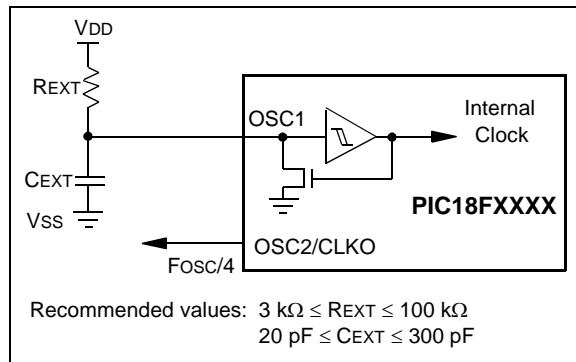
- supply voltage
- values of the external resistor (R<sub>EXT</sub>) and capacitor (C<sub>EXT</sub>)
- operating temperature

Given the same device, operating voltage and temperature and component values, there will also be unit-to-unit frequency variations. These are due to factors such as:

- normal manufacturing variation
- difference in lead frame capacitance between package types (especially for low C<sub>EXT</sub> values)
- variations within the tolerance of limits of R<sub>EXT</sub> and C<sub>EXT</sub>

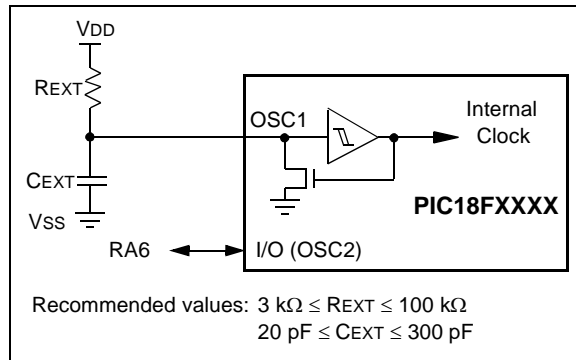
In the RC Oscillator mode, the oscillator frequency divided by 4 is available on the OSC2 pin. This signal may be used for test purposes or to synchronize other logic. Figure 2-5 shows how the R/C combination is connected.

**FIGURE 2-5: RC OSCILLATOR MODE**



The RCIO Oscillator mode (Figure 2-6) functions like the RC mode, except that the OSC2 pin becomes an additional general purpose I/O pin. The I/O pin becomes bit 6 of PORTA (RA6).

**FIGURE 2-6: RCIO OSCILLATOR MODE**



## 2.5 PLL Frequency Multiplier

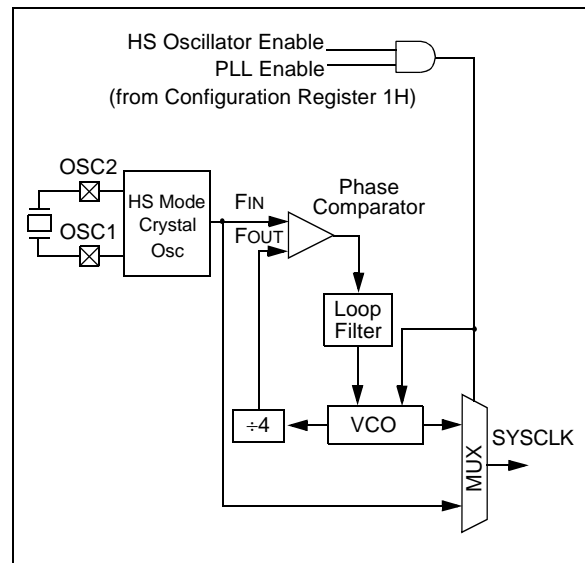
A Phase Locked Loop (PLL) circuit is provided as an option for users who wish to use a lower frequency oscillator circuit or to clock the device up to its highest rated frequency from a crystal oscillator. This may be useful for customers who are concerned with EMI due to high-frequency crystals or users who require higher clock speeds from an internal oscillator.

### 2.5.1 HSPLL OSCILLATOR MODE

The HSPLL mode makes use of the HS mode oscillator for frequencies up to 10 MHz. A PLL then multiplies the oscillator output frequency by 4 to produce an internal clock frequency up to 40 MHz. The PLEN bit is not available when this mode is configured as the primary clock source.

The PLL is only available to the crystal oscillator when the FOSC<3:0> Configuration bits are programmed for HSPLL mode (= 0110).

**FIGURE 2-7: HSPLL BLOCK DIAGRAM**



### 2.5.2 PLL AND INTOSC

The PLL is also available to the internal oscillator block when the internal oscillator block is configured as the primary clock source. In this configuration, the PLL is enabled in software and generates a clock output of up to 32 MHz. The operation of INTOSC with the PLL is described in **Section 2.6.4 "PLL in INTOSC Modes"**.

# PIC18F8722 FAMILY

## 2.6 Internal Oscillator Block

The PIC18F8722 family of devices includes an internal oscillator block which generates two different clock signals; either can be used as the microcontroller's clock source. This may eliminate the need for external oscillator circuits on the OSC1 and/or OSC2 pins.

The main output (INTOSC) is an 8 MHz clock source, which can be used to directly drive the device clock. It also drives a postscaler, which can provide a range of clock frequencies from 31 kHz to 4 MHz. The INTOSC output is enabled when a clock frequency from 125 kHz to 8 MHz is selected. The INTOSC output can also be enabled when 31 kHz is selected, depending on the INTSRC bit (OSCTUNE<7>).

The other clock source is the internal RC oscillator (INTRC), which provides a nominal 31 kHz output. INTRC is enabled if it is selected as the device clock source; it is also enabled automatically when any of the following are enabled:

- Power-up Timer
- Fail-Safe Clock Monitor
- Watchdog Timer
- Two-Speed Start-up

These features are discussed in greater detail in **Section 25.0 "Special Features of the CPU"**.

The clock source frequency (INTOSC direct, INTRC direct or INTOSC postscaler) is selected by configuring the IRCF bits of the OSCCON register (page 39).

### 2.6.1 INTIO MODES

Using the internal oscillator as the clock source eliminates the need for up to two external oscillator pins, which can then be used for digital I/O. Two distinct configurations are available:

- In INTIO1 mode, the OSC2 pin outputs  $F_{osc}/4$ , while OSC1 functions as RA7 (see Figure 2-8) for digital input and output.
- In INTIO2 mode, OSC1 functions as RA7 and OSC2 functions as RA6 (see Figure 2-9), both for digital input and output.

**FIGURE 2-8: INTIO1 OSCILLATOR MODE**



**FIGURE 2-9: INTIO2 OSCILLATOR MODE**



### 2.6.2 INTOSC OUTPUT FREQUENCY

The internal oscillator block is calibrated at the factory to produce an INTOSC output frequency of 8 MHz.

The INTRC oscillator operates independently of the INTOSC source. Any changes in INTOSC across voltage and temperature are not necessarily reflected by changes in INTRC or vice versa.

### 2.6.3 OSCTUNE REGISTER

The INTOSC output has been calibrated at the factory but can be adjusted in the user's application. This is done by writing to TUN<4:0> (OSCTUNE<4:0>) in the OSCTUNE register (Register).

When the OSCTUNE register is modified, the INTOSC frequency will begin shifting to the new frequency. The INTOSC clock will stabilize within 1 ms. Code execution continues during this shift. There is no indication that the shift has occurred. The INTRC is not affected by OSCTUNE.

The OSCTUNE register also implements the INTSRC (OSCTUNE<7>) and PLEN (OSCTUNE<6>) bits, which control certain features of the internal oscillator block. The INTSRC bit allows users to select which internal oscillator provides the clock source when the 31 kHz frequency option is selected. This is covered in greater detail in **Section 2.7.1 "Oscillator Control Register"**.

The PLEN bit controls the operation of the Phase Locked Loop (PLL) in internal oscillator modes (see Figure 2-10).

**FIGURE 2-10: INTOSC AND PLL BLOCK DIAGRAM**





# PIC18F8722 FAMILY

---

## 2.6.5.1 Compensating with the EUSART

An adjustment may be required when the EUSART begins to generate framing errors or receives data with errors while in Asynchronous mode. Framing errors indicate that the device clock frequency is too high. To adjust for this, decrement the value in OSCTUNE to reduce the clock frequency. On the other hand, errors in data may suggest that the clock speed is too low. To compensate, increment OSCTUNE to increase the clock frequency.

## 2.6.5.2 Compensating with the Timers

This technique compares device clock speed to some reference clock. Two timers may be used; one timer is clocked by the peripheral clock, while the other is clocked by a fixed reference source, such as the Timer1 oscillator.

Both timers are cleared, but the timer clocked by the reference generates interrupts. When an interrupt occurs, the internally clocked timer is read and both timers are cleared. If the internally clocked timer value is much greater than expected, then the internal oscillator block is running too fast. To adjust for this, decrement the OSCTUNE register.

## 2.6.5.3 Compensating with the CCP Module in Capture Mode

A CCP module can use free running Timer1 (or Timer3), clocked by the internal oscillator block and an external event with a known period (i.e., AC power frequency). The time of the first event is captured in the CCPRxH:CCPRxL registers and is recorded for use later. When the second event causes a capture, the time of the first event is subtracted from the time of the second event. Since the period of the external event is known, the time difference between events can be calculated.

If the measured time is much greater than the calculated time, the internal oscillator block is running too fast. To compensate, decrement the OSCTUNE register. If the measured time is much less than the calculated time, the internal oscillator block is running too slow. To compensate, increment the OSCTUNE register.

# PIC18F8722 FAMILY

## 2.7 Clock Sources and Oscillator Switching

The PIC18F8722 family of devices includes a feature that allows the device clock source to be switched from the main oscillator to an alternate clock source. These devices also offer two alternate clock sources. When an alternate clock source is enabled, the various power-managed operating modes are available.

Essentially, there are three clock sources for these devices:

- Primary oscillators
- Secondary oscillators
- Internal oscillator block

The **primary oscillators** include the External Crystal and Resonator modes, the External RC modes, the External Clock modes and the internal oscillator block. The particular mode is defined by the FOSC<3:0> Configuration bits. The details of these modes are covered earlier in this chapter.

The **secondary oscillators** are those external sources not connected to the OSC1 or OSC2 pins. These sources may continue to operate even after the controller is placed in a power-managed mode.

The PIC18F8722 family of devices offers the Timer1 oscillator as a secondary oscillator. This oscillator, in all power-managed modes, is often the time base for functions such as a real-time clock.

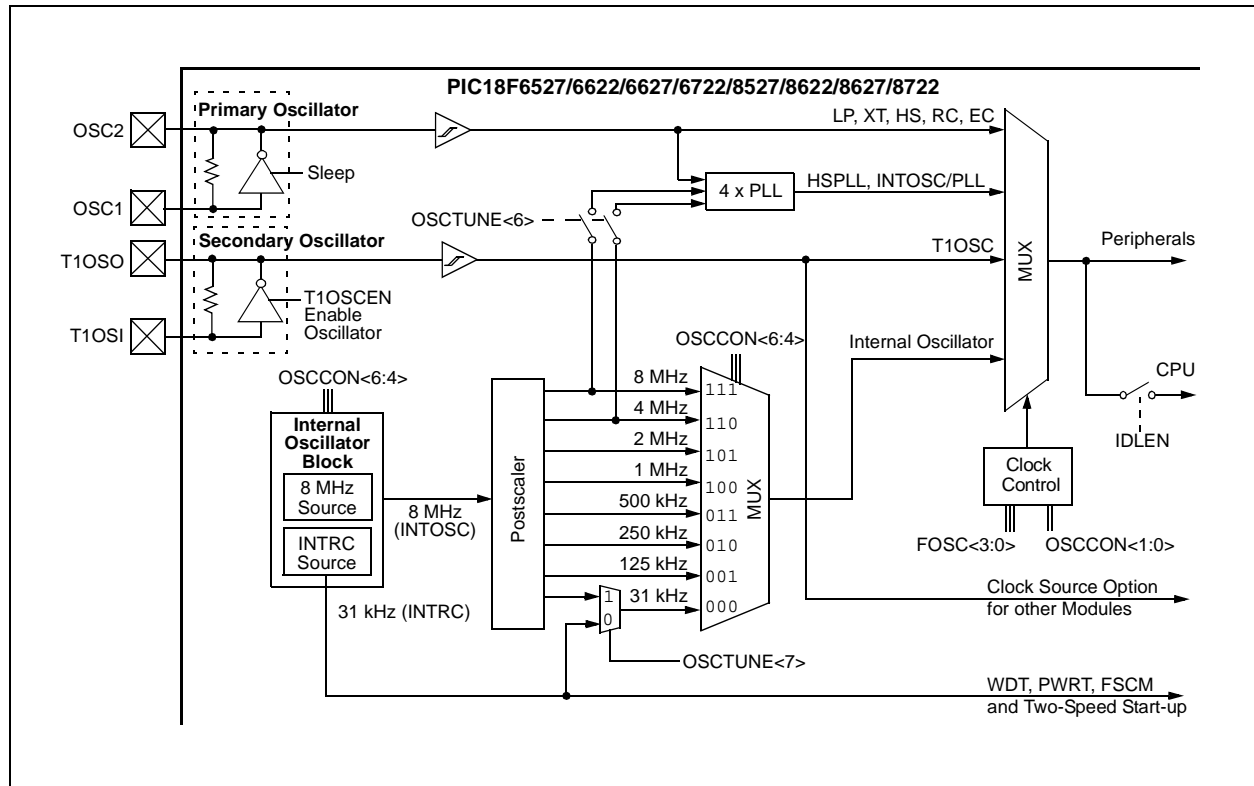
Most often, a 32.768 kHz watch crystal is connected between the RC0/T1OSO/T13CKI and RC1/T1OSI pins. Like the LP mode oscillator circuit, loading capacitors are also connected from each pin to ground.

The Timer1 oscillator is discussed in greater detail in **Section 13.3 “Timer1 Oscillator”**.

In addition to being a primary clock source, the **internal oscillator block** is available as a power-managed mode clock source. The INTRC source is also used as the clock source for several special features, such as the WDT and Fail-Safe Clock Monitor.

The clock sources for the PIC18F8722 family of devices are shown in Figure 2-11. See **Section 25.0 “Special Features of the CPU”** for Configuration register details.

**FIGURE 2-11: PIC18F8722 FAMILY CLOCK DIAGRAM**



# PIC18F8722 FAMILY

## 2.7.1 OSCILLATOR CONTROL REGISTER

The OSCCON register (Register 2-2) controls several aspects of the device clock's operation, both in full power operation and in power-managed modes.

The System Clock Select bits, SCS<1:0>, select the clock source. The available clock sources are the primary clock (defined by the FOSC<3:0> Configuration bits), the secondary clock (Timer1 oscillator) and the internal oscillator block. The clock source changes immediately after either of the SCS<1:0> bits are changed, following a brief clock transition interval. The SCS bits are reset on all forms of Reset.

The Internal Oscillator Frequency Select bits (IRCF<2:0>) select the frequency output of the internal oscillator block to drive the device clock. The choices are the INTRC source (31 kHz), the INTOSC source (8 MHz) or one of the frequencies derived from the INTOSC postscaler (31.25 kHz to 4 MHz). If the internal oscillator block is supplying the device clock, changing the states of these bits will have an immediate change on the internal oscillator's output. On device Resets, the default output frequency of the internal oscillator block is set at 1 MHz.

When a nominal output frequency of 31 kHz is selected (IRCF<2:0> = 000), users may choose which internal oscillator acts as the source. This is done with the INTSRC bit in the OSCTUNE register (OSCTUNE<7>). Setting this bit selects INTOSC as a 31.25 kHz clock source derived from the INTOSC postscaler. Clearing INTSRC selects INTRC (nominally 31 kHz) as the clock source and disables the INTOSC to reduce current consumption.

This option allows users to select the tunable and more precise INTOSC as a clock source, while maintaining power savings with a very low clock speed. Additionally, the INTOSC source will already be stable should a switch to a higher frequency be needed quickly. Regardless of the setting of INTSRC, INTRC always remains the clock source for features such as the Watchdog Timer and the Fail-Safe Clock Monitor.

The OSTS, IOFS and T1RUN bits indicate which clock source is currently providing the device clock. The OSTS bit indicates that the Oscillator Start-up Timer and PLL Start-up Timer (if enabled) have timed out and

the primary clock is providing the device clock in primary clock modes. The IOFS bit indicates when the internal oscillator block has stabilized and is providing the device clock in RC Clock modes. The T1RUN bit (T1CON<6>) indicates when the Timer1 oscillator is providing the device clock in secondary clock modes. In power-managed modes, only one of these three bits will be set at any time. If none of these bits are set, the INTRC is providing the clock or the internal oscillator block has just started and is not yet stable.

The IDLEN bit controls whether the device goes into Sleep mode or one of the Idle modes when the SLEEP instruction is executed.

The use of the flag and control bits in the OSCCON register is discussed in more detail in **Section 3.0 "Power-Managed Modes"**.

**Note 1:** The Timer1 oscillator must be enabled to select the secondary clock source. The Timer1 oscillator is enabled by setting the T1OSCEN bit in the Timer1 Control register (T1CON<3>). If the Timer1 oscillator is not enabled, then any attempt to select a secondary clock source will be ignored.

**2:** It is recommended that the Timer1 oscillator be operating and stable before selecting the secondary clock source or a very long delay may occur while the Timer1 oscillator starts.

## 2.7.2 OSCILLATOR TRANSITIONS

The PIC18F8722 family of devices contains circuitry to prevent clock "glitches" when switching between clock sources. A short pause in the device clock occurs during the clock switch. The length of this pause is the sum of two cycles of the old clock source and three to four cycles of the new clock source. This formula assumes that the new clock source is stable.

Clock transitions are discussed in greater detail in **Section 3.1.2 "Entering Power-Managed Modes"**.



# PIC18F8722 FAMILY

## REGISTER 2-2: OSCCON: OSCILLATOR CONTROL REGISTER

|       |       |       |       |                  |      |       |       |
|-------|-------|-------|-------|------------------|------|-------|-------|
| R/W-0 | R/W-1 | R/W-0 | R/W-0 | R <sup>(1)</sup> | R-0  | R/W-0 | R/W-0 |
| IDLEN | IRCF2 | IRCF1 | IRCF0 | OSTS             | IOFS | SCS1  | SCS0  |
| bit 7 |       |       |       |                  |      |       | bit 0 |

### Legend:

R = Readable bit  
-n = Value at POR

W = Writable bit  
'1' = Bit is set

U = Unimplemented bit, read as '0'  
'0' = Bit is cleared  
x = Bit is unknown

- bit 7      **IDLEN:** Idle Enable bit  
           1 = Device enters an Idle mode when a *SLEEP* instruction is executed  
           0 = Device enters Sleep mode when a *SLEEP* instruction is executed
- bit 6-4    **IRCF<2:0>:** Internal Oscillator Frequency Select bits<sup>(5)</sup>  
           111 = 8 MHz (INTOSC drives clock directly)  
           110 = 4 MHz  
           101 = 2 MHz  
           100 = 1 MHz<sup>(3)</sup>  
           011 = 500 kHz  
           010 = 250 kHz  
           001 = 125 kHz  
           000 = 31 kHz (from either INTOSC/256 or INTRC directly)<sup>(2)</sup>
- bit 3      **OSTS:** Oscillator Start-up Time-out Status bit<sup>(1)</sup>  
           1 = Oscillator Start-up Timer (OST) time-out has expired; primary oscillator is running  
           0 = Oscillator Start-up Timer (OST) time-out is running; primary oscillator is not ready
- bit 2      **IOFS:** INTOSC Frequency Stable bit  
           1 = INTOSC frequency is stable  
           0 = INTOSC frequency is not stable
- bit 1-0    **SCS<1:0>:** System Clock Select bits<sup>(4)</sup>  
           1x = Internal oscillator block  
           01 = Secondary (Timer1) oscillator  
           00 = Primary oscillator

- Note 1:** Reset state depends on state of the IESO Configuration bit.  
**2:** Source selected by the INTSRC bit (OSCTUNE<7>), see text.  
**3:** Default output frequency of INTOSC on Reset.  
**4:** Modifying the SCS<1:0> bits will cause an immediate clock source switch.  
**5:** Modifying the IRCF<3:0> bits will cause an immediate clock frequency switch if the internal oscillator is providing the device clocks.

# PIC18F8722 FAMILY

## 2.8 Effects of Power-Managed Modes on the Various Clock Sources

When PRI\_IDLE mode is selected, the configured oscillator continues to run without interruption. For all other power-managed modes, the oscillator using the OSC1 pin is disabled. The OSC1 pin (and OSC2 pin in crystal oscillator modes) will stop oscillating.

In secondary clock modes (SEC\_RUN and SEC\_IDLE), the Timer1 oscillator is operating and providing the device clock. The Timer1 oscillator may also run in all power-managed modes if required to clock Timer1 or Timer3.

In internal oscillator modes (RC\_RUN and RC\_IDLE), the internal oscillator block provides the device clock source. The 31 kHz INTRC output can be used directly to provide the clock and may be enabled to support various special features, regardless of the power-managed mode (see **Section 25.2 “Watchdog Timer (WDT)”** and **Section 25.4 “Fail-Safe Clock Monitor”** for more information). The INTOSC output at 8 MHz may be used directly to clock the device or may be divided down by the postscaler. The INTOSC output is disabled if the clock is provided directly from the INTRC output. The INTOSC output is also enabled for Two-Speed Start-up at 1 MHz after Resets and when configured for wake from Sleep mode.

If the Sleep mode is selected, all clock sources are stopped. Since all the transistor switching currents have been stopped, Sleep mode achieves the lowest current consumption of the device (only leakage currents).

Enabling any on-chip feature that will operate during Sleep will increase the current consumed during Sleep. The INTRC is required to support WDT operation. The Timer1 oscillator may be operating to support a real-time clock. Other features may be operating that do not require a device clock source (i.e., SSP slave, PSP, INTx pins and others). Peripherals that may add significant current consumption are listed in **Section 28.2 “DC Characteristics”**.

## 2.9 Power-up Delays

Power-up delays are controlled by two or three timers, so that no external Reset circuitry is required for most applications. The delays ensure that the device is kept in Reset until the device power supply is stable under normal circumstances and the primary clock is operating and stable. For additional information on power-up delays, see **Section 4.5 “Device Reset Timers”**.

The first timer is the Power-up Timer (PWRT) which provides a fixed delay on power-up (parameter 33, **Table 28-12**). It is enabled by clearing (= 0) the PWRTEN Configuration bit (CONFIG2L<0>).

### 2.9.1 DELAYS FOR POWER-UP AND RETURN TO PRIMARY CLOCK

The second timer is the Oscillator Start-up Timer (OST), intended to delay execution until the crystal oscillator is stable (LP, XT and HS modes). The OST does this by counting 1024 oscillator cycles before allowing the oscillator to clock the device.

When the HSPLL Oscillator mode is selected, a third timer delays execution for an additional 2 ms following the HS mode OST delay, so the PLL can lock to the incoming clock frequency. At the end of these delays, the OSTS bit (OSCCON<3>) is set.

There is a delay of interval T<sub>CSD</sub> (parameter 38, **Table 28-12**), once execution is allowed to start, when the controller becomes ready to execute instructions. This delay runs concurrently with any other delays. This may be the only delay that occurs when any of the EC, RC or INTIO modes are used as the primary clock source.

**TABLE 2-3: OSC1 AND OSC2 PIN STATES IN SLEEP MODE**

| OSC Mode      | OSC1 Pin  | OSC2 Pin  |
|---------------|---|---|
| RC, INTIO1    | Floating, external resistor pulls high                | At logic low (clock/4 output)                         |
| RCIO          | Floating, external resistor pulls high                | Configured as PORTA, bit 6                            |
| INTIO2        | Configured as PORTA, bit 7                            | Configured as PORTA, bit 6                            |
| ECIO          | Floating, driven by external clock                    | Configured as PORTA, bit 6                            |
| EC            | Floating, driven by external clock                    | At logic low (clock/4 output)                         |
| LP, XT and HS | Feedback inverter disabled at quiescent voltage level | Feedback inverter disabled at quiescent voltage level |

**Note:** See Table 4-2 in **Section 4.0 “Reset”** for time-outs due to Sleep and MCLR Reset.

## 3.0 POWER-MANAGED MODES

The PIC18F8722 family of devices offers a total of seven operating modes for more efficient power management. These modes provide a variety of options for selective power conservation in applications where resources may be limited (i.e., battery-powered devices).

There are three categories of power-managed modes:

- Run modes
- Idle modes
- Sleep mode

These categories define which portions of the device are clocked and sometimes, what speed. The Run and Idle modes may use any of the three available clock sources (primary, secondary or internal oscillator block); the Sleep mode does not use a clock source.

The power-managed modes include several power-saving features offered on previous PIC® devices. One is the clock switching feature, offered in other PIC18 devices, allowing the controller to use the Timer1 oscillator in place of the primary oscillator. Also included is the Sleep mode, offered by all PIC devices, where all device clocks are stopped.

### 3.1 Selecting Power-Managed Modes

Selecting a power-managed mode requires two decisions: if the CPU is to be clocked or not and the selection of a clock source. The IDLEN bit (OSCCON<7>) controls CPU clocking, while the SCS<1:0> bits (OSCCON<1:0>) select the clock source. The individual modes, bit settings, clock sources and affected modules are summarized in Table 3-1.

### 3.1.1 CLOCK SOURCES

The SCS1:SCS0 bits allow the selection of one of three clock sources for power-managed modes. They are:

- the primary clock, as defined by the FOSC<3:0> Configuration bits
- the secondary clock (the Timer1 oscillator)
- the internal oscillator block (for INTOSC modes)

### 3.1.2 ENTERING POWER-MANAGED MODES

Switching from one power-managed mode to another begins by loading the OSCCON register. The SCS<1:0> bits select the clock source and determine which Run or Idle mode is to be used. Changing these bits causes an immediate switch to the new clock source, assuming that it is running. The switch may also be subject to clock transition delays. These are discussed in **Section 3.1.3 “Clock Transitions and Status Indicators”** and subsequent sections.

Entry to the power-managed Idle or Sleep modes is triggered by the execution of a SLEEP instruction. The actual mode that results depends on the status of the IDLEN bit.

Depending on the current mode and the mode being switched to, a change to a power-managed mode does not always require setting all of these bits. Many transitions may be done by changing the oscillator select bits, or changing the IDLEN bit, prior to issuing a SLEEP instruction. If the IDLEN bit is already configured correctly, it may only be necessary to perform a SLEEP instruction to switch to the desired mode.

**TABLE 3-1: POWER-MANAGED MODES**

| Mode     | OSCCON Bits             |          | Module Clocking |             | Available Clock and Oscillator Source   |
|----------|-------------------------|----------|-----------------|-------------|---|
|          | IDLEN<7> <sup>(1)</sup> | SCS<1:0> | CPU             | Peripherals |   |
| Sleep    | 0                       | N/A      | Off             | Off         | None – All clocks are disabled  |
| PRI_RUN  | N/A                     | 00       | Clocked         | Clocked     | Primary – LP, XT, HS, HSPLL, RC, EC and Internal Oscillator Block <sup>(2)</sup> .<br>This is the normal full power execution mode. |
| SEC_RUN  | N/A                     | 01       | Clocked         | Clocked     | Secondary – Timer1 Oscillator   |
| RC_RUN   | N/A                     | 1x       | Clocked         | Clocked     | Internal Oscillator Block <sup>(2)</sup>  |
| PRI_IDLE | 1                       | 00       | Off             | Clocked     | Primary – LP, XT, HS, HSPLL, RC, EC   |
| SEC_IDLE | 1                       | 01       | Off             | Clocked     | Secondary – Timer1 Oscillator   |
| RC_IDLE  | 1                       | 1x       | Off             | Clocked     | Internal Oscillator Block <sup>(2)</sup>  |

**Note 1:** IDLEN reflects its value when the SLEEP instruction is executed.

**2:** Includes INTOSC and INTOSC postscaler, as well as the INTRC source.

# PIC18F8722 FAMILY

## 3.1.3 CLOCK TRANSITIONS AND STATUS INDICATORS

The length of the transition between clock sources is the sum of two cycles of the old clock source and three to four cycles of the new clock source. This formula assumes that the new clock source is stable.

Three bits indicate the current clock source and its status. They are:

- OSTS (OSCCON<3>)
- IOFS (OSCCON<2>)
- T1RUN (T1CON<6>)

In general, only one of these bits will be set while in a given power-managed mode. When the OSTS bit is set, the primary clock is providing the device clock. When the IOFS bit is set, the INTOSC output is providing a stable 8 MHz clock source to a divider that actually drives the device clock. When the T1RUN bit is set, the Timer1 oscillator is providing the clock. If none of these bits are set, then either the INTRC clock source is clocking the device, or the INTOSC source is not yet stable.

If the internal oscillator block is configured as the primary clock source by the FOSC<3:0> Configuration bits, then both the OSTS and IOFS bits may be set when in PRI\_RUN or PRI\_IDLE modes. This indicates that the primary clock (INTOSC output) is generating a stable 8 MHz output. Entering another INTOSC power-managed mode at the same frequency would clear the OSTS bit.

**Note 1:** Caution should be used when modifying a single IRCF bit. If VDD is less than 3V, it is possible to select a higher clock speed than is supported by the low VDD. Improper device operation may result if the VDD/FOSC specifications are violated.

- 2:** Executing a SLEEP instruction does not necessarily place the device into Sleep mode. It acts as the trigger to place the controller into either the Sleep mode or one of the Idle modes, depending on the setting of the IDLEN bit.

## 3.1.4 MULTIPLE SLEEP COMMANDS

The power-managed mode that is invoked with the SLEEP instruction is determined by the setting of the IDLEN bit at the time the instruction is executed. If another SLEEP instruction is executed, the device will enter the power-managed mode specified by IDLEN at that time. If IDLEN has changed, the device will enter the new power-managed mode specified by the new setting.

## 3.2 Run Modes

In the Run modes, clocks to both the core and peripherals are active. The difference between these modes is the clock source.

### 3.2.1 PRI\_RUN MODE

The PRI\_RUN mode is the normal, full power execution mode of the microcontroller. This is also the default mode upon a device Reset, unless Two-Speed Start-up is enabled (see **Section 25.3 “Two-Speed Start-up”** for details). In this mode, the OSTS bit is set. The IOFS bit may be set if the internal oscillator block is the primary clock source (see **Section 2.7.1 “Oscillator Control Register”**).

### 3.2.2 SEC\_RUN MODE

The SEC\_RUN mode is the compatible mode to the “clock switching” feature offered in other PIC18 devices. In this mode, the CPU and peripherals are clocked from the Timer1 oscillator. This gives users the option of lower power consumption while still using a high accuracy clock source.

SEC\_RUN mode is entered by setting the SCS<1:0> bits to ‘01’. The device clock source is switched to the Timer1 oscillator (see Figure 3-1), the primary oscillator is shut down, the T1RUN bit (T1CON<6>) is set and the OSTS bit is cleared.

**Note:** The Timer1 oscillator should already be running prior to entering SEC\_RUN mode. If the T1OSCCEN bit is not set when the SCS<1:0> bits are set to ‘01’, entry to SEC\_RUN mode will not occur. If the Timer1 oscillator is enabled, but not yet running, device clocks will be delayed until the oscillator has started; in such situations, initial oscillator operation is far from stable and unpredictable operation may result.

On transitions from SEC\_RUN mode to PRI\_RUN, the peripherals and CPU continue to be clocked from the Timer1 oscillator while the primary clock is started. When the primary clock becomes ready, a clock switch back to the primary clock occurs (see Figure 3-2). When the clock switch is complete, the T1RUN bit is cleared, the OSTS bit is set and the primary clock is providing the clock. The IDLEN and SCS bits are not affected by the wake-up; the Timer1 oscillator continues to run.

**FIGURE 3-1: TRANSITION TIMING FOR ENTRY TO SEC\_RUN MODE**



**FIGURE 3-2: TRANSITION TIMING FROM SEC\_RUN MODE TO PRI\_RUN MODE (HSPLL)**



### 3.2.3 RC\_RUN MODE

In RC\_RUN mode, the CPU and peripherals are clocked from the internal oscillator block using the INTOSC multiplexer. In this mode, the primary clock is shut down. When using the INTRC source, this mode provides the best power conservation of all the Run modes, while still executing code. It works well for user applications which are not highly timing-sensitive or do not require high-speed clocks at all times.

If the primary clock source is the internal oscillator block (either INTRC or INTOSC), there are no distinguishable differences between PRI\_RUN and RC\_RUN modes during execution. However, a clock switch delay will occur during entry to and exit from RC\_RUN mode. Therefore, if the primary clock source is the internal oscillator block, the use of RC\_RUN mode is not recommended.

This mode is entered by setting the SCS1 bit to '1'. Although it is ignored, it is recommended that the SCS0 bit also be cleared; this is to maintain software compatibility with future devices. When the clock source is switched to the INTOSC multiplexer (see Figure 3-3), the primary oscillator is shut down and the OSTS bit is cleared. The IRCF bits may be modified at any time to immediately change the clock speed.

**Note:** Caution should be used when modifying a single IRCF bit. If V<sub>DD</sub> is less than 3V, it is possible to select a higher clock speed than is supported by the low V<sub>DD</sub>. Improper device operation may result if the V<sub>DD</sub>/F<sub>OSC</sub> specifications are violated.

# PIC18F8722 FAMILY

If the IRCF bits and the INTSRC bit are all clear, the INTOSC output is not enabled and the IOFS bit will remain clear; there will be no indication of the current clock source. The INTRC source is providing the device clocks.

If the IRCF bits are changed from all clear (thus, enabling the INTOSC output) or if INTSRC is set, the IOFS bit becomes set after the INTOSC output becomes stable. Clocks to the device continue while the INTOSC source stabilizes after an interval of TOBST (parameter 39, Table 28-12).

If the IRCF bits were previously at a non-zero value, or if INTSRC was set before setting SCS1 and the INTOSC source was already stable, the IOFS bit will remain set.

On transitions from RC\_RUN mode to PRI\_RUN mode, the device continues to be clocked from the INTOSC multiplexer while the primary clock is started. When the primary clock becomes ready, a clock switch to the primary clock occurs (see Figure 3-4). When the clock switch is complete, the IOFS bit is cleared, the OSTST bit is set and the primary clock is providing the device clock. The IDLEN and SCS bits are not affected by the switch. The INTRC source will continue to run if either the WDT or the Fail-Safe Clock Monitor is enabled.

**FIGURE 3-3: TRANSITION TIMING TO RC\_RUN MODE**



**FIGURE 3-4: TRANSITION TIMING FROM RC\_RUN MODE TO PRI\_RUN MODE**



## 3.3 Sleep Mode

The power-managed Sleep mode in the PIC18F8722 family of devices is identical to the legacy Sleep mode offered in all other PIC devices. It is entered by clearing the IDLEN bit (the default state on device Reset) and executing the `SLEEP` instruction. This shuts down the selected oscillator (Figure 3-5). All clock source status bits are cleared.

Entering the Sleep mode from any other mode does not require a clock switch. This is because no clocks are needed once the controller has entered Sleep. If the WDT is selected, the INTRC source will continue to operate. If the Timer1 oscillator is enabled, it will also continue to run.

When a wake event occurs in Sleep mode (by interrupt, Reset or WDT time-out), the device will not be clocked until the clock source selected by the SCS<1:0> bits becomes ready (see Figure 3-6), or it will be clocked from the internal oscillator block if either the Two-Speed Start-up or the Fail-Safe Clock Monitor are enabled (see **Section 25.0 “Special Features of the CPU”**). In either case, the OSTS bit is set when the primary clock is providing the device clocks. The IDLEN and SCS bits are not affected by the wake-up.

## 3.4 Idle Modes

The Idle modes allow the controller’s CPU to be selectively shut down while the peripherals continue to operate. Selecting a particular Idle mode allows users to further manage power consumption.

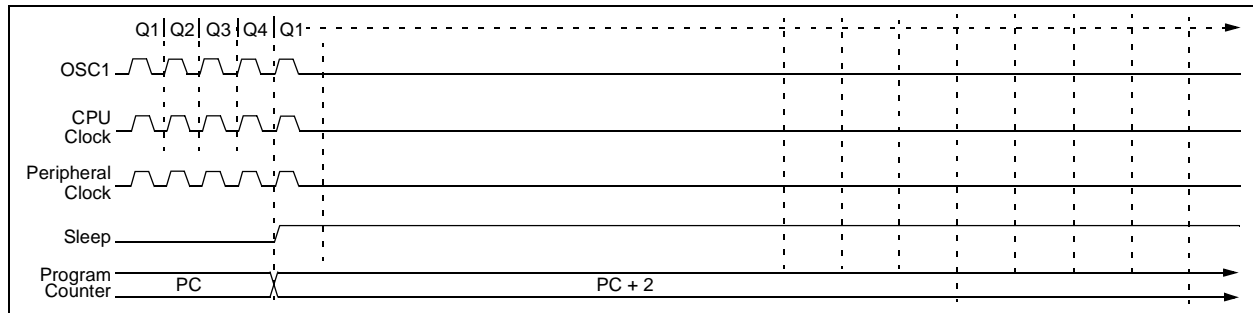
If the IDLEN bit is set to a ‘1’ when a `SLEEP` instruction is executed, the peripherals will be clocked from the clock source selected using the SCS<1:0> bits; however, the CPU will not be clocked. The clock source status bits are not affected. Setting IDLEN and executing a `SLEEP` instruction provides a quick method of switching from a given Run mode to its corresponding Idle mode.

If the WDT is selected, the INTRC source will continue to operate. If the Timer1 oscillator is enabled, it will also continue to run.

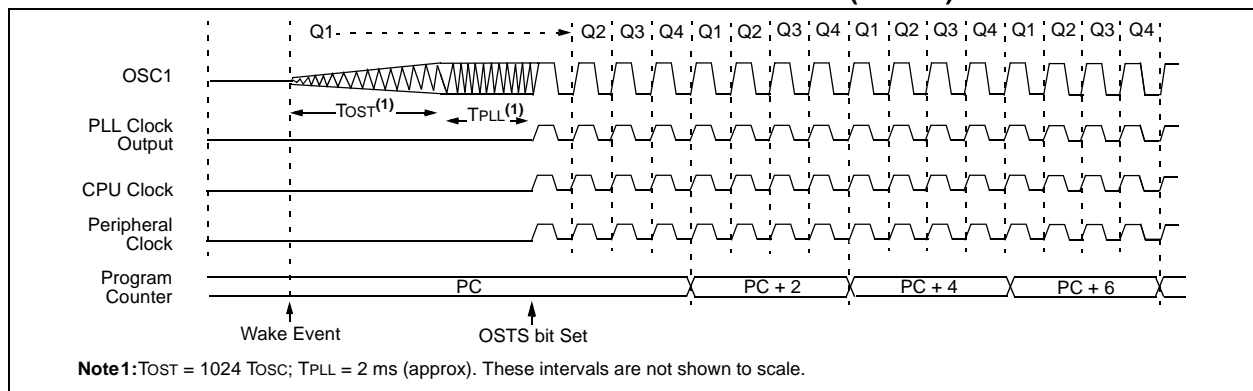
Since the CPU is not executing instructions, the only exits from any of the Idle modes are by interrupt, WDT time-out or a Reset. When a wake event occurs, CPU execution is delayed by an interval of  $T_{CSD}$  (parameter 38, Table 28-12) while it becomes ready to execute code. When the CPU begins executing code, it resumes with the same clock source for the current Idle mode. For example, when waking from RC\_IDLE mode, the internal oscillator block will clock the CPU and peripherals (in other words, RC\_RUN mode). The IDLEN and SCS bits are not affected by the wake-up.

While in any Idle mode or the Sleep mode, a WDT time-out will result in a WDT wake-up to the Run mode currently specified by the SCS<1:0> bits.

**FIGURE 3-5: TRANSITION TIMING FOR ENTRY TO SLEEP MODE**



**FIGURE 3-6: TRANSITION TIMING FOR WAKE FROM SLEEP (HSPLL)**



# PIC18F8722 FAMILY

## 3.4.1 PRI\_IDLE MODE

This mode is unique among the three low-power Idle modes, in that it does not disable the primary device clock. For timing sensitive applications, this allows for the fastest resumption of device operation with its more accurate primary clock source, since the clock source does not have to “warm-up” or transition from another oscillator.

PRI\_IDLE mode is entered from PRI\_RUN mode by setting the IDLEN bit and executing a SLEEP instruction. If the device is in another Run mode, set IDLEN first, then clear the SCS bits and execute SLEEP. Although the CPU is disabled, the peripherals continue to be clocked from the primary clock source specified by the FOSC<3:0> Configuration bits. The OSTS bit remains set (see Figure 3-7).

When a wake event occurs, the CPU is clocked from the primary clock source. A delay of interval TCSD (parameter 39, Table 28-12) is required between the wake event and when code execution starts. This is required to allow the CPU to become ready to execute instructions. After the wake-up, the OSTS bit remains set. The IDLEN and SCS bits are not affected by the wake-up (see Figure 3-8).

## 3.4.2 SEC\_IDLE MODE

In SEC\_IDLE mode, the CPU is disabled but the peripherals continue to be clocked from the Timer1 oscillator. This mode is entered from SEC\_RUN by setting the IDLEN bit and executing a SLEEP instruction. If the device is in another Run mode, set the IDLEN bit first, then set the SCS<1:0> bits to ‘01’ and execute SLEEP. When the clock source is switched to the Timer1 oscillator, the primary oscillator is shut down, the OSTS bit is cleared and the T1RUN bit is set.

When a wake event occurs, the peripherals continue to be clocked from the Timer1 oscillator. After an interval of TCSD following the wake event, the CPU begins executing code being clocked by the Timer1 oscillator. The IDLEN and SCS bits are not affected by the wake-up; the Timer1 oscillator continues to run (see Figure 3-8).

**Note:** The Timer1 oscillator should already be running prior to entering SEC\_IDLE mode. If the T1OSCN bit is not set when the SLEEP instruction is executed, the SLEEP instruction will be ignored and entry to SEC\_IDLE mode will not occur. If the Timer1 oscillator is enabled but not yet running, peripheral clocks will be delayed until the oscillator has started. In such situations, initial oscillator operation is far from stable and unpredictable operation may result.

**FIGURE 3-7: TRANSITION TIMING FOR ENTRY TO IDLE MODE**



**FIGURE 3-8: TRANSITION TIMING FOR WAKE FROM IDLE TO RUN MODE**





### 3.4.3 RC\_IDLE MODE

In RC\_IDLE mode, the CPU is disabled but the peripherals continue to be clocked from the internal oscillator block using the INTOSC multiplexer. This mode allows for controllable power conservation during Idle periods.

From RC\_RUN, this mode is entered by setting the IDLEN bit and executing a SLEEP instruction. If the device is in another Run mode, first set IDLEN, then set the SCS1 bit and execute SLEEP. Although its value is ignored, it is recommended that SCS0 also be cleared; this is to maintain software compatibility with future devices. The INTOSC multiplexer may be used to select a higher clock frequency by modifying the IRCF bits before executing the SLEEP instruction. When the clock source is switched to the INTOSC multiplexer, the primary oscillator is shut down and the OSTS bit is cleared.

If the IRCF bits are set to any non-zero value, or the INTSRC bit is set, the INTOSC output is enabled. The IOFS bit becomes set, after the INTOSC output becomes stable, after an interval of TIOBST (parameter 39, Table 28-12). Clocks to the peripherals continue while the INTOSC source stabilizes. If the IRCF bits were previously at a non-zero value, or INTSRC was set before the SLEEP instruction was executed and the INTOSC source was already stable, the IOFS bit will remain set. If the IRCF bits and INTSRC are all clear, the INTOSC output will not be enabled, the IOFS bit will remain clear and there will be no indication of the current clock source.

When a wake event occurs, the peripherals continue to be clocked from the INTOSC multiplexer. After a delay of TcSD (parameter 38, Table 28-12) following the wake event, the CPU begins executing code being clocked by the INTOSC multiplexer. The IDLEN and SCS bits are not affected by the wake-up. The INTRC source will continue to run if either the WDT or the Fail-Safe Clock Monitor is enabled.

## 3.5 Exiting Idle and Sleep Modes

An exit from Sleep mode or any of the Idle modes is triggered by an interrupt, a Reset or a WDT time-out. This section discusses the triggers that cause exits from power-managed modes. The clocking subsystem actions are discussed in each of the power-managed modes (see **Section 3.2 “Run Modes”**, **Section 3.3 “Sleep Mode”** and **Section 3.4 “Idle Modes”**).

### 3.5.1 EXIT BY INTERRUPT

Any of the available interrupt sources can cause the device to exit from an Idle mode or the Sleep mode to a Run mode. To enable this functionality, an interrupt source must be enabled by setting its enable bit in one of the INTCON or PIE registers. The exit sequence is initiated when the corresponding interrupt flag bit is set.

On all exits from Idle or Sleep modes by interrupt, code execution branches to the interrupt vector if the GIE/GIEH bit (INTCON<7>) is set. Otherwise, code execution continues or resumes without branching (see **Section 10.0 “Interrupts”**).

A fixed delay of interval TcSD following the wake event is required when leaving Sleep and Idle modes. This delay is required for the CPU to prepare for execution. Instruction execution resumes on the first clock cycle following this delay.

### 3.5.2 EXIT BY WDT TIME-OUT

A WDT time-out will cause different actions depending on which power-managed mode the device is in when the time-out occurs.

If the device is not executing code (all Idle modes and Sleep mode), the time-out will result in an exit from the power-managed mode (see **Section 3.2 “Run Modes”** and **Section 3.3 “Sleep Mode”**). If the device is executing code (all Run modes), the time-out will result in a WDT Reset (see **Section 25.2 “Watchdog Timer (WDT)”**).

The WDT timer and postscaler are cleared by executing a SLEEP or CLRWDT instruction, the loss of a currently selected clock source (if the Fail-Safe Clock Monitor is enabled) and modifying the IRCF bits in the OSCCON register if the internal oscillator block is the device clock source.

### 3.5.3 EXIT BY RESET

Normally, the device is held in Reset by the Oscillator Start-up Timer (OST) until the primary clock becomes ready. At that time, the OSTS bit is set and the device begins executing code. If the internal oscillator block is the new clock source, the IOFS bit is set instead.

The exit delay time from Reset to the start of code execution depends on both the clock sources before and after the wake-up and the type of oscillator if the new clock source is the primary clock. Exit delays are summarized in Table 3-2.

Code execution can begin before the primary clock becomes ready. If either the Two-Speed Start-up (see **Section 25.3 “Two-Speed Start-up”**) or Fail-Safe Clock Monitor (see **Section 25.4 “Fail-Safe Clock Monitor”**) is enabled, the device may begin execution as soon as the Reset source has cleared. Execution is clocked by the INTOSC multiplexer driven by the internal oscillator block. Execution is clocked by the internal oscillator block until either the primary clock becomes ready or a power-managed mode is entered before the primary clock becomes ready; the primary clock is then shut down.

# PIC18F8722 FAMILY

## 3.5.4 EXIT WITHOUT AN OSCILLATOR START-UP DELAY

Certain exits from power-managed modes do not invoke the OST at all. There are two cases:

- PRI\_IDLE mode, where the primary clock source is not stopped and
- the primary clock source is not any of the LP, XT, HS or HSPLL modes.

In these instances, the primary clock source either does not require an oscillator start-up delay since it is already running (PRI\_IDLE), or normally does not require an oscillator start-up delay (RC, EC and INTIO Oscillator modes). However, a fixed delay of interval TcSD following the wake event is still required when leaving Sleep and Idle modes to allow the CPU to prepare for execution. Instruction execution resumes on the first clock cycle following this delay.

**TABLE 3-2: EXIT DELAY ON WAKE-UP BY RESET FROM SLEEP MODE OR ANY IDLE MODE (BY CLOCK SOURCES)**

| Clock Source before Wake-up          | Clock Source after Wake-up | Exit Delay                            | Clock Ready Status Bit (OSCCON) |
|--------------------------------------|----------------------------|---------------------------------------|---------------------------------|
| Primary Device Clock (PRI_IDLE mode) | LP, XT, HS                 | TcSD <sup>(1)</sup>                   | OSTS                            |
|                                      | HSPLL                      |                                       |                                 |
|                                      | EC, RC                     |                                       |                                 |
|                                      | INTOSC <sup>(2)</sup>      |                                       | IOFS                            |
| T1OSC or INTRC                       | LP, XT, HS                 | TOST <sup>(3)</sup>                   | OSTS                            |
|                                      | HSPLL                      | TOST + t <sub>rc</sub> <sup>(3)</sup> |                                 |
|                                      | EC, RC                     | TcSD <sup>(1)</sup>                   |                                 |
|                                      | INTOSC <sup>(2)</sup>      | TIOBST <sup>(4)</sup>                 | IOFS                            |
| INTOSC <sup>(2)</sup>                | LP, XT, HS                 | TOST <sup>(4)</sup>                   | OSTS                            |
|                                      | HSPLL                      | TOST + t <sub>rc</sub> <sup>(3)</sup> |                                 |
|                                      | EC, RC                     | TcSD <sup>(1)</sup>                   |                                 |
|                                      | INTOSC <sup>(2)</sup>      | None                                  | IOFS                            |
| None (Sleep mode)                    | LP, XT, HS                 | TOST <sup>(3)</sup>                   | OSTS                            |
|                                      | HSPLL                      | TOST + t <sub>rc</sub> <sup>(3)</sup> |                                 |
|                                      | EC, RC                     | TcSD <sup>(1)</sup>                   |                                 |
|                                      | INTOSC <sup>(2)</sup>      | TIOBST <sup>(4)</sup>                 | IOFS                            |

**Note 1:** TcSD (parameter 38, Table 28-12) is a required delay when waking from Sleep and all Idle modes and runs concurrently with any other required delays (see **Section 3.4 “Idle Modes”**).

**2:** Includes both the INTOSC 8 MHz source and postscaler derived frequencies. On Reset, INTOSC defaults to 1 MHz.

**3:** TOST is the Oscillator Start-up Timer (parameter 32, Table 28-12). t<sub>rc</sub> is the PLL Lock-out Timer (parameter F12, Table 28-7); it is also designated as T<sub>PLL</sub>.

**4:** Execution continues during TIOBST (parameter 39, Table 28-12), the INTOSC stabilization period.

## 4.0 RESET

The PIC18F8722 family of devices differentiates between various kinds of Reset:

- Power-on Reset (POR)
- $\overline{\text{MCLR}}$  Reset during normal operation
- $\overline{\text{MCLR}}$  Reset during power-managed modes
- Watchdog Timer (WDT) Reset (during execution)
- Programmable Brown-out Reset (BOR)
- RESET Instruction
- Stack Full Reset
- Stack Underflow Reset

This section discusses Resets generated by  $\overline{\text{MCLR}}$ , POR and BOR and covers the operation of the various start-up timers. Stack Reset events are covered in **Section 5.1.3.4 “Stack Full and Underflow Resets”**. WDT Resets are covered in **Section 25.2 “Watchdog Timer (WDT)”**.

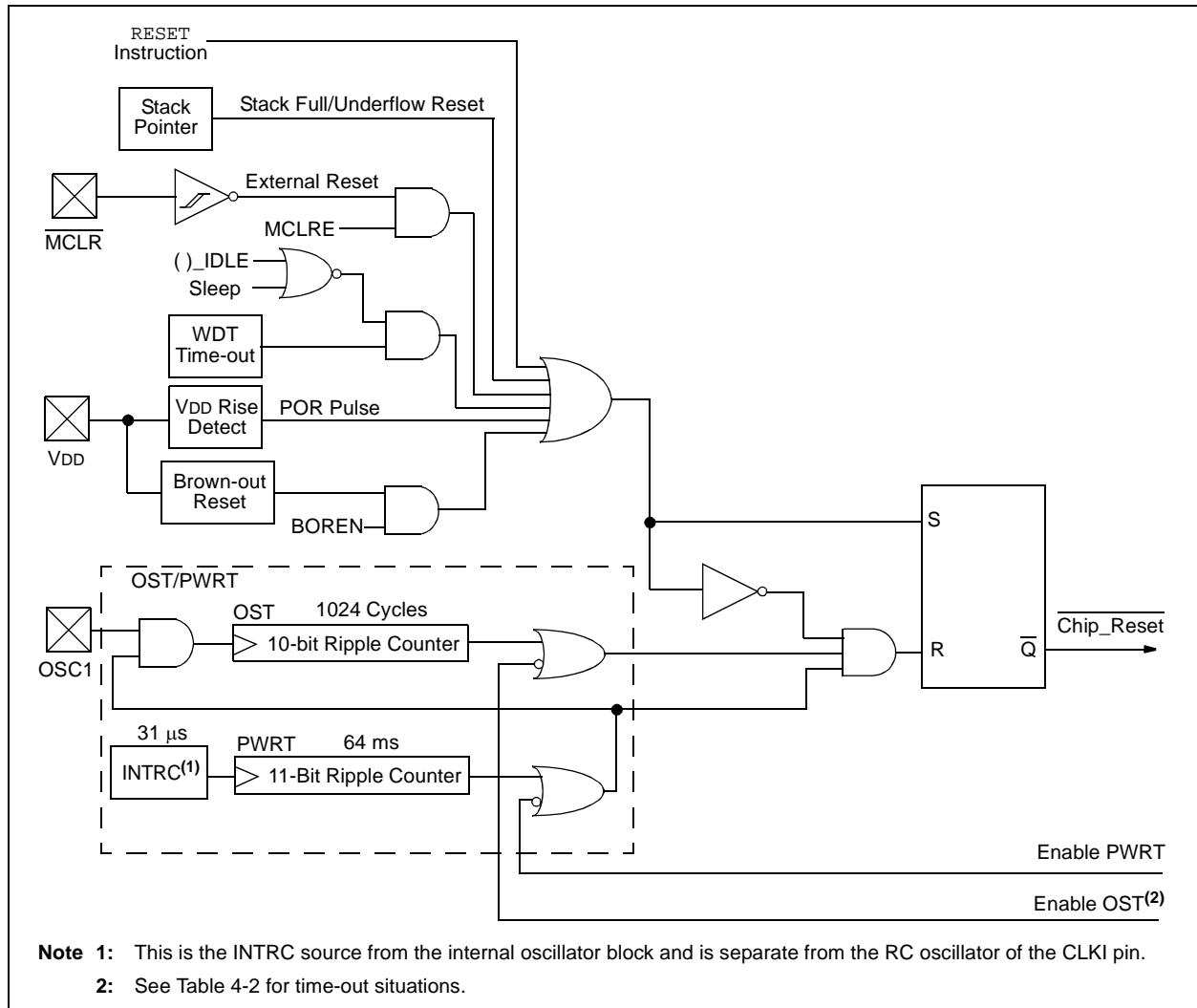
A simplified block diagram of the On-Chip Reset Circuit is shown in Figure 4-1.

## 4.1 RCON Register

Device Reset events are tracked through the RCON register (Register 4-1). The lower five bits of the register indicate that a specific Reset event has occurred. In most cases, these bits can only be cleared by the event and must be set by the application after the event. The state of these flag bits, taken together, can be read to indicate the type of Reset that just occurred. This is described in more detail in **Section 4.6 “Reset State of Registers”**.

The RCON register also has control bits for setting interrupt priority (IPEN) and software control of the BOR (SBOREN). Interrupt priority is discussed in **Section 10.0 “Interrupts”**. BOR is covered in **Section 4.4 “Brown-out Reset (BOR)”**.

**FIGURE 4-1: SIMPLIFIED BLOCK DIAGRAM OF ON-CHIP RESET CIRCUIT**



# PIC18F8722 FAMILY

## REGISTER 4-1: RCON: RESET CONTROL REGISTER

| R/W-0 | R/W-1 <sup>(1)</sup> | U-0 | R/W-1           | R-1             | R-1             | R/W-0 <sup>(2)</sup> | R/W-0            |
|-------|----------------------|-----|-----------------|-----------------|-----------------|----------------------|------------------|
| IPEN  | SBOREN               | —   | $\overline{RI}$ | $\overline{TO}$ | $\overline{PD}$ | $\overline{POR}$     | $\overline{BOR}$ |
| bit 7 |                      |     |                 |                 |                 |                      | bit 0            |

### Legend:

|                   |                  |                                    |
|-------------------|------------------|------------------------------------|
| R = Readable bit  | W = Writable bit | U = Unimplemented bit, read as '0' |
| -n = Value at POR | '1' = Bit is set | '0' = Bit is cleared               |
|                   |                  | x = Bit is unknown                 |

|       |   |
|-------|---|
| bit 7 | <p><b>IPEN:</b> Interrupt Priority Enable bit</p> <p>1 = Enable priority levels on interrupts</p> <p>0 = Disable priority levels on interrupts (PIC16CXXX Compatibility mode)</p>   |
| bit 6 | <p><b>SBOREN:</b> BOR Software Enable bit<sup>(1)</sup></p> <p><u>If BOREN&lt;1:0&gt; = 01:</u></p> <p>1 = BOR is enabled</p> <p>0 = BOR is disabled</p> <p><u>If BOREN&lt;1:0&gt; = 00, 10 or 11:</u></p> <p>Bit is disabled and read as '0'</p>                           |
| bit 5 | <p><b>Unimplemented:</b> Read as '0'</p>  |
| bit 4 | <p><b><math>\overline{RI}</math>:</b> RESET Instruction Flag bit</p> <p>1 = The RESET instruction was not executed (set by firmware only)</p> <p>0 = The RESET instruction was executed causing a device Reset (must be set in software after a Brown-out Reset occurs)</p> |
| bit 3 | <p><b><math>\overline{TO}</math>:</b> Watchdog Time-out Flag bit</p> <p>1 = Set by power-up, CLRWD<math>\overline{T}</math> instruction or SLEEP instruction</p> <p>0 = A WDT time-out occurred</p>   |
| bit 2 | <p><b><math>\overline{PD}</math>:</b> Power-down Detection Flag bit</p> <p>1 = Set by power-up or by the CLRWD<math>\overline{T}</math> instruction</p> <p>0 = Set by execution of the SLEEP instruction</p>  |
| bit 1 | <p><b><math>\overline{POR}</math>:</b> Power-on Reset Status bit<sup>(2)</sup></p> <p>1 = A Power-on Reset has not occurred (set by firmware only)</p> <p>0 = A Power-on Reset occurred (must be set in software after a Power-on Reset occurs)</p>                         |
| bit 0 | <p><b><math>\overline{BOR}</math>:</b> Brown-out Reset Status bit</p> <p>1 = A Brown-out Reset has not occurred (set by firmware only)</p> <p>0 = A Brown-out Reset occurred (must be set in software after a Brown-out Reset occurs)</p>                                   |

**Note 1:** If SBOREN is enabled, its Reset state is '1'; otherwise, it is '0'.

**Note 2:** The actual Reset value of  $\overline{POR}$  is determined by the type of device Reset. See the notes following this register and **Section 4.6 "Reset State of Registers"** for additional information.

**Note 1:** It is recommended that the  $\overline{POR}$  bit be set after a Power-on Reset has been detected so that subsequent Power-on Resets may be detected.

**Note 2:** Brown-out Reset is said to have occurred when  $\overline{BOR}$  is '0' and  $\overline{POR}$  is '1' (assuming that  $\overline{POR}$  was set to '1' by software immediately after  $\overline{POR}$ ).

## 4.2 Master Clear ( $\overline{\text{MCLR}}$ )

The  $\overline{\text{MCLR}}$  pin provides a method for triggering an external Reset of the device. A Reset is generated by holding the pin low. These devices have a noise filter in the  $\overline{\text{MCLR}}$  Reset path which detects and ignores small pulses.

The  $\overline{\text{MCLR}}$  pin is not driven low by any internal Resets, including the WDT.

In the PIC18F8722 family of devices, the  $\overline{\text{MCLR}}$  input can be disabled with the MCLRE Configuration bit. When  $\overline{\text{MCLR}}$  is disabled, the pin becomes a digital input. See **Section 11.5 “PORTE, TRISE and LATE Registers”** for more information.

## 4.3 Power-on Reset (POR)

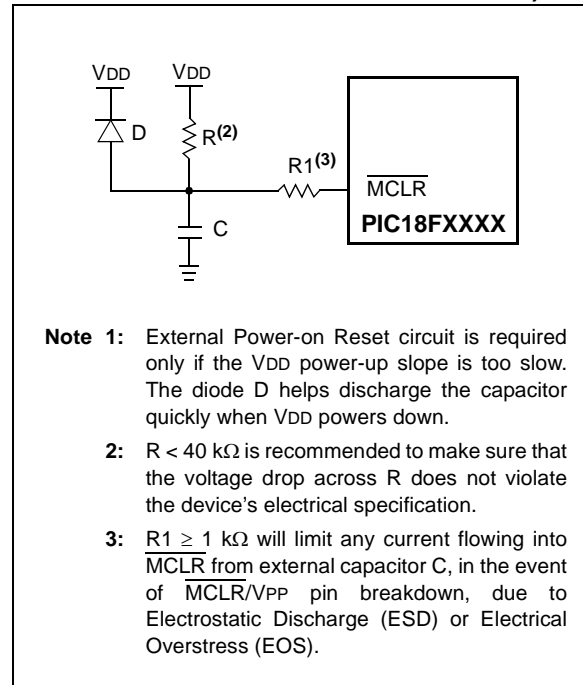
A Power-on Reset pulse is generated on-chip whenever VDD rises above a certain threshold. This allows the device to start in the initialized state when VDD is adequate for operation.

To take advantage of the POR circuitry, tie the  $\overline{\text{MCLR}}$  pin through a resistor (1 k $\Omega$  to 10 k $\Omega$ ) to VDD. This will eliminate external RC components usually needed to create a Power-on Reset delay. A minimum rise rate for VDD is specified (parameter D004, “Section 28.2 “DC Characteristics: Power-Down and Supply Current”). For a slow rise time, see Figure 4-2.

When the device starts normal operation (i.e., exits the Reset condition), device operating parameters (voltage, frequency, temperature, etc.) must be met to ensure operation. If these conditions are not met, the device must be held in Reset until the operating conditions are met.

POR events are captured by the  $\overline{\text{POR}}$  bit (RCON<1>). The state of the bit is set to ‘0’ whenever a POR occurs; it does not change for any other Reset event.  $\overline{\text{POR}}$  is not reset to ‘1’ by any hardware event. To capture multiple events, the user manually resets the bit to ‘1’ in software following any POR.

**FIGURE 4-2: EXTERNAL POWER-ON RESET CIRCUIT (FOR SLOW VDD POWER-UP)<sup>(1)</sup>**



# PIC18F8722 FAMILY

## 4.4 Brown-out Reset (BOR)

The PIC18F8722 family of devices implements a BOR circuit that provides the user with a number of configuration and power-saving options. The BOR is controlled by the BORV<1:0> and BOREN<1:0> Configuration bits. There are a total of four BOR configurations which are summarized in Table 4-1.

The BOR threshold is set by the BORV<1:0> bits. If BOR is enabled (any values of BOREN<1:0>, except '00'), any drop of VDD below VBOR (parameter D005, **Section 28.1 "DC Characteristics"**) for greater than TBOR (parameter 35, Table 28-12) will reset the device. A Reset may or may not occur if VDD falls below VBOR for less than TBOR. The chip will remain in Brown-out Reset until VDD rises above VBOR.

If the Power-up Timer is enabled, it will be invoked after VDD rises above VBOR; it then will keep the chip in Reset for an additional time delay, TPWRT (parameter 33, Table 28-12). If VDD drops below VBOR while the Power-up Timer is running, the chip will go back into a Brown-out Reset and the Power-up Timer will be initialized. Once VDD rises above VBOR, the Power-up Timer will execute the additional time delay.

BOR and the Power-on Timer (PWRT) are independently configured. Enabling BOR Reset does not automatically enable the PWRT.

### 4.4.1 SOFTWARE ENABLED BOR

When BOREN<1:0> = 01, the BOR can be enabled or disabled by the user in software. This is done with the control bit, SBOREN (RCON<6>). Setting SBOREN enables the BOR to function as previously described. Clearing SBOREN disables the BOR entirely. The SBOREN bit operates only in this mode; otherwise it is read as '0'.

Placing the BOR under software control gives the user the additional flexibility of tailoring the application to its environment without having to reprogram the device to change the BOR configuration. It also allows the user to tailor device power consumption in software by eliminating the incremental current that the BOR consumes. While the BOR current is typically very small, it may have some impact in low-power applications.

**Note:** Even when BOR is under software control, the BOR Reset voltage level is still set by the BORV<1:0> Configuration bits. It cannot be changed in software.

### 4.4.2 DETECTING BOR

When BOR is enabled, the  $\overline{\text{BOR}}$  bit always resets to '0' on any BOR or POR event. This makes it difficult to determine if a BOR event has occurred just by reading the state of  $\overline{\text{BOR}}$  alone. A more reliable method is to simultaneously check the state of both  $\overline{\text{POR}}$  and  $\overline{\text{BOR}}$ . This assumes that the  $\overline{\text{POR}}$  bit is reset to '1' in software immediately after any POR event. If  $\overline{\text{BOR}}$  is '0' while  $\overline{\text{POR}}$  is '1', it can be reliably assumed that a BOR event has occurred.

### 4.4.3 DISABLING BOR IN SLEEP MODE

When BOREN<1:0> = 10, the BOR remains under hardware control and operates as previously described. Whenever the device enters Sleep mode, however, the BOR is automatically disabled. When the device returns to any other operating mode, BOR is automatically re-enabled.

This mode allows for applications to recover from brown-out situations, while actively executing code, when the device requires BOR protection the most. At the same time, it saves additional power in Sleep mode by eliminating the small incremental BOR current.

**TABLE 4-1: BOR CONFIGURATIONS**

| BOR Configuration |        | Status of SBOREN (RCON<6>) | BOR Operation  |
|-------------------|--------|----------------------------|--|
| BOREN1            | BOREN0 |                            |  |
| 0                 | 0      | Unavailable                | BOR disabled; must be enabled by reprogramming the Configuration bits.             |
| 0                 | 1      | Available                  | BOR enabled in software; operation controlled by SBOREN.                           |
| 1                 | 0      | Unavailable                | BOR enabled in hardware in Run and Idle modes, disabled during Sleep mode.         |
| 1                 | 1      | Unavailable                | BOR enabled in hardware; must be disabled by reprogramming the Configuration bits. |

## 4.5 Device Reset Timers

The PIC18F8722 family of devices incorporates three separate on-chip timers that help regulate the Power-on Reset process. Their main function is to ensure that the device clock is stable before code is executed. These timers are:

- Power-up Timer (PWRT)
- Oscillator Start-up Timer (OST)
- PLL Lock Time-out

### 4.5.1 POWER-UP TIMER (PWRT)

The Power-up Timer (PWRT) of the PIC18F8722 family of devices is an 11-bit counter which uses the INTRC source as the clock input. While the PWRT is counting, the device is held in Reset.

The power-up time delay depends on the INTRC clock and will vary from chip-to-chip due to temperature and process variation. See DC parameter 33 in Table 28-12 for details.

The PWRT is enabled by clearing the  $\overline{\text{PWRTE}}\text{N}$  Configuration bit.

### 4.5.2 OSCILLATOR START-UP TIMER (OST)

The Oscillator Start-up Timer (OST) provides a 1024 oscillator cycle (from OSC1 input) delay after the PWRT delay is over (parameter 33, Table 28-12). This ensures that the crystal oscillator or resonator has started and stabilized.

The OST time-out is invoked only for XT, LP, HS and HSPLL modes and only on Power-on Reset, or on exit from most power-managed modes.

### 4.5.3 PLL LOCK TIME-OUT

With the PLL enabled in its PLL mode, the time-out sequence following a Power-on Reset is slightly different from other oscillator modes. A separate timer is used to provide a fixed time-out that is sufficient for the PLL to lock to the main oscillator frequency. This PLL lock time-out (TPLL) is typically 2 ms and follows the oscillator start-up time-out.

### 4.5.4 TIME-OUT SEQUENCE

On power-up, the time-out sequence is as follows:

1. After the POR pulse has cleared, PWRT time-out is invoked (if enabled).
2. Then, the OST is activated.

The total time-out will vary based on oscillator configuration and the status of the PWRT. Figure 4-3, Figure 4-4, Figure 4-5, Figure 4-6 and Figure 4-7 all depict time-out sequences on power-up, with the Power-up Timer enabled and the device operating in HS Oscillator mode. Figures 4-3 through 4-6 also apply to devices operating in XT or LP modes. For devices in RC mode and with the PWRT disabled, on the other hand, there will be no time-out at all.

Since the time-outs occur from the POR pulse, if  $\overline{\text{MCLR}}$  is kept low long enough, all time-outs will expire. Bringing  $\overline{\text{MCLR}}$  high will begin execution immediately (Figure 4-5). This is useful for testing purposes or to synchronize more than one PIC18F8722 family device operating in parallel.

**TABLE 4-2: TIME-OUT IN VARIOUS SITUATIONS**

| Oscillator Configuration | Power-up <sup>(2)</sup> and Brown-out                        |   | Exit from Power-Managed Mode            |
|--------------------------|--|---|---|
|                          | $\overline{\text{PWRTE}}\text{N} = 0$                        | $\overline{\text{PWRTE}}\text{N} = 1$   |   |
| HSPLL                    | $\text{TPWRT}^{(1)} + 1024 \text{ TOSC} + \text{TPLL}^{(2)}$ | $1024 \text{ TOSC} + \text{TPLL}^{(2)}$ | $1024 \text{ TOSC} + \text{TPLL}^{(2)}$ |
| HS, XT, LP               | $\text{TPWRT}^{(1)} + 1024 \text{ TOSC}$                     | $1024 \text{ TOSC}$                     | $1024 \text{ TOSC}$                     |
| EC, ECIO                 | $\text{TPWRT}^{(1)}$   | —                                       | —                                       |
| RC, RCIO                 | $\text{TPWRT}^{(1)}$   | —                                       | —                                       |
| INTIO1, INTIO2           | $\text{TPWRT}^{(1)}$   | —                                       | —                                       |

**Note 1:** See parameter 33, Table 28-12.

**Note 2:** 2 ms is the nominal time required for the PLL to lock.

# PIC18F8722 FAMILY

**FIGURE 4-3: TIME-OUT SEQUENCE ON POWER-UP ( $\overline{\text{MCLR}}$  TIED TO  $V_{DD}$ ,  $V_{DD}$  RISE <  $T_{PWRT}$ )**



**FIGURE 4-4: TIME-OUT SEQUENCE ON POWER-UP ( $\overline{\text{MCLR}}$  NOT TIED TO  $V_{DD}$ ): CASE 1**



**FIGURE 4-5: TIME-OUT SEQUENCE ON POWER-UP ( $\overline{\text{MCLR}}$  NOT TIED TO  $V_{DD}$ ): CASE 2**





**FIGURE 4-6: SLOW RISE TIME ( $\overline{\text{MCLR}}$  TIED TO  $V_{DD}$ ,  $V_{DD}$  RISE  $>$   $T_{PWRT}$ )**



**FIGURE 4-7: TIME-OUT SEQUENCE ON POR w/PLL ENABLED ( $\overline{\text{MCLR}}$  TIED TO  $V_{DD}$ )**



# PIC18F8722 FAMILY

## 4.6 Reset State of Registers

Most registers are unaffected by a Reset. Their status is unknown on POR and unchanged by all other Resets. All other registers are forced to a “Reset state” depending on the type of Reset that occurred.

Most registers are not affected by a WDT wake-up, since this is viewed as the resumption of normal operation. Status bits from the RCON register,  $\overline{RI}$ ,  $\overline{TO}$ ,  $\overline{PD}$ ,  $\overline{POR}$  and  $\overline{BOR}$ , are set or cleared differently in different Reset situations, as indicated in Table 4-3. These bits are used in software to determine the nature of the Reset.

Table 4-4 describes the Reset states for all of the Special Function Registers. These are categorized by Power-on and Brown-out Resets, Master Clear and WDT Resets and WDT wake-ups.

**TABLE 4-3: STATUS BITS, THEIR SIGNIFICANCE AND THE INITIALIZATION CONDITION FOR RCON REGISTER**

| Condition  | Program Counter       | RCON Register    |                 |                 |                 |                  |                  | STKPTR Register |        |
|--|-----------------------|------------------|-----------------|-----------------|-----------------|------------------|------------------|-----------------|--------|
|  |                       | SBOREN           | $\overline{RI}$ | $\overline{TO}$ | $\overline{PD}$ | $\overline{POR}$ | $\overline{BOR}$ | STKFUL          | STKUNF |
| Power-on Reset   | 0000h                 | 1                | 1               | 1               | 1               | 0                | 0                | 0               | 0      |
| RESET Instruction  | 0000h                 | u <sup>(2)</sup> | 0               | u               | u               | u                | u                | u               | u      |
| Brown-out Reset  | 0000h                 | u <sup>(2)</sup> | 1               | 1               | 1               | u                | 0                | u               | u      |
| $\overline{MCLR}$ during Power-Managed Run Modes                 | 0000h                 | u <sup>(2)</sup> | u               | 1               | u               | u                | u                | u               | u      |
| $\overline{MCLR}$ during Power-Managed Idle Modes and Sleep Mode | 0000h                 | u <sup>(2)</sup> | u               | 1               | 0               | u                | u                | u               | u      |
| WDT Time-out during Full Power or Power-Managed Run Mode         | 0000h                 | u <sup>(2)</sup> | u               | 0               | u               | u                | u                | u               | u      |
| $\overline{MCLR}$ during Full Power Execution                    | 0000h                 | u <sup>(2)</sup> | u               | u               | u               | u                | u                | u               | u      |
| Stack Full Reset (STVREN = 1)                                    | 0000h                 | u <sup>(2)</sup> | u               | u               | u               | u                | u                | 1               | u      |
| Stack Underflow Reset (STVREN = 1)                               | 0000h                 | u <sup>(2)</sup> | u               | u               | u               | u                | u                | u               | 1      |
| Stack Underflow Error (not an actual Reset, STVREN = 0)          | 0000h                 | u <sup>(2)</sup> | u               | u               | u               | u                | u                | u               | 1      |
| WDT Time-out during Power-Managed Idle or Sleep Modes            | PC + 2                | u <sup>(2)</sup> | u               | 0               | 0               | u                | u                | u               | u      |
| Interrupt Exit from Power-Managed Modes                          | PC + 2 <sup>(1)</sup> | u <sup>(2)</sup> | u               | u               | 0               | u                | u                | u               | u      |

**Legend:** u = unchanged

**Note 1:** When the wake-up is due to an interrupt and the GIEH or GIEL bits are set, the PC is loaded with the interrupt vector (008h or 0018h).

**2:** Reset state is ‘1’ for POR and unchanged for all other Resets when software BOR is enabled (BOREN<1:0> Configuration bits = 01 and SBOREN = 1). Otherwise, the Reset state is ‘0’.

# PIC18F8722 FAMILY

**TABLE 4-4: INITIALIZATION CONDITIONS FOR ALL REGISTERS**

| Register | Applicable Devices |      |      |      | Power-on Reset,<br>Brown-out Reset | MCLR Resets,<br>WDT Reset,<br>RESET Instruction,<br>Stack Resets | Wake-up via WDT<br>or Interrupt |
|----------|--------------------|------|------|------|------------------------------------|--|---------------------------------|
|          |                    |      |      |      |                                    |  |                                 |
| TOSU     | 6X27               | 6X22 | 8X27 | 8X22 | ---0 0000                          | ---0 0000  | ---0 uuuu <sup>(3)</sup>        |
| TOSH     | 6X27               | 6X22 | 8X27 | 8X22 | 0000 0000                          | 0000 0000  | uuuu uuuu <sup>(3)</sup>        |
| TOSL     | 6X27               | 6X22 | 8X27 | 8X22 | 0000 0000                          | 0000 0000  | uuuu uuuu <sup>(3)</sup>        |
| STKPTR   | 6X27               | 6X22 | 8X27 | 8X22 | 00-0 0000                          | uu-u uuuu  | uu-u uuuu <sup>(3)</sup>        |
| PCLATU   | 6X27               | 6X22 | 8X27 | 8X22 | ---0 0000                          | ---0 0000  | ---u uuuu                       |
| PCLATH   | 6X27               | 6X22 | 8X27 | 8X22 | 0000 0000                          | 0000 0000  | uuuu uuuu                       |
| PCL      | 6X27               | 6X22 | 8X27 | 8X22 | 0000 0000                          | 0000 0000  | PC + 2 <sup>(2)</sup>           |
| TBLPTRU  | 6X27               | 6X22 | 8X27 | 8X22 | --00 0000                          | --00 0000  | --uu uuuu                       |
| TBLPTRH  | 6X27               | 6X22 | 8X27 | 8X22 | 0000 0000                          | 0000 0000  | uuuu uuuu                       |
| TBLPTRL  | 6X27               | 6X22 | 8X27 | 8X22 | 0000 0000                          | 0000 0000  | uuuu uuuu                       |
| TABLAT   | 6X27               | 6X22 | 8X27 | 8X22 | 0000 0000                          | 0000 0000  | uuuu uuuu                       |
| PRODH    | 6X27               | 6X22 | 8X27 | 8X22 | xxxx xxxx                          | uuuu uuuu  | uuuu uuuu                       |
| PRODL    | 6X27               | 6X22 | 8X27 | 8X22 | xxxx xxxx                          | uuuu uuuu  | uuuu uuuu                       |
| INTCON   | 6X27               | 6X22 | 8X27 | 8X22 | 0000 000x                          | 0000 000u  | uuuu uuuu <sup>(1)</sup>        |
| INTCON2  | 6X27               | 6X22 | 8X27 | 8X22 | 1111 1111                          | 1111 1111  | uuuu uuuu <sup>(1)</sup>        |
| INTCON3  | 6X27               | 6X22 | 8X27 | 8X22 | 1100 0000                          | 1100 0000  | uuuu uuuu <sup>(1)</sup>        |
| INDF0    | 6X27               | 6X22 | 8X27 | 8X22 | N/A                                | N/A  | N/A                             |
| POSTINC0 | 6X27               | 6X22 | 8X27 | 8X22 | N/A                                | N/A  | N/A                             |
| POSTDEC0 | 6X27               | 6X22 | 8X27 | 8X22 | N/A                                | N/A  | N/A                             |
| PREINC0  | 6X27               | 6X22 | 8X27 | 8X22 | N/A                                | N/A  | N/A                             |
| PLUSW0   | 6X27               | 6X22 | 8X27 | 8X22 | N/A                                | N/A  | N/A                             |
| FSR0H    | 6X27               | 6X22 | 8X27 | 8X22 | ---- 0000                          | ---- 0000  | ---- uuuu                       |
| FSR0L    | 6X27               | 6X22 | 8X27 | 8X22 | xxxx xxxx                          | uuuu uuuu  | uuuu uuuu                       |
| WREG     | 6X27               | 6X22 | 8X27 | 8X22 | xxxx xxxx                          | uuuu uuuu  | uuuu uuuu                       |
| INDF1    | 6X27               | 6X22 | 8X27 | 8X22 | N/A                                | N/A  | N/A                             |
| POSTINC1 | 6X27               | 6X22 | 8X27 | 8X22 | N/A                                | N/A  | N/A                             |
| POSTDEC1 | 6X27               | 6X22 | 8X27 | 8X22 | N/A                                | N/A  | N/A                             |
| PREINC1  | 6X27               | 6X22 | 8X27 | 8X22 | N/A                                | N/A  | N/A                             |
| PLUSW1   | 6X27               | 6X22 | 8X27 | 8X22 | N/A                                | N/A  | N/A                             |

**Legend:** u = unchanged, x = unknown, - = unimplemented bit, read as '0', □ = value depends on condition.  
Shaded cells indicate conditions do not apply for the designated device.

- Note**
- 1: One or more bits in the INTCONx or PIRx registers will be affected (to cause wake-up).
  - 2: When the wake-up is due to an interrupt and the GIEL or GIEH bit is set, the PC is loaded with the interrupt vector (0008h or 0018h).
  - 3: When the wake-up is due to an interrupt and the GIEL or GIEH bit is set, the TOSU, TOSH and TOSL are updated with the current value of the PC. The STKPTR is modified to point to the next location in the hardware stack.
  - 4: See Table 4-3 for Reset value for specific condition.
  - 5: Bits 6 and 7 of PORTA, LATA and TRISA are enabled, depending on the oscillator mode selected. When not enabled as PORTA pins, they are disabled and read '0'.

# PIC18F8722 FAMILY

**TABLE 4-4: INITIALIZATION CONDITIONS FOR ALL REGISTERS (CONTINUED)**

| Register            | Applicable Devices |      |      |      | Power-on Reset,<br>Brown-out Reset | MCLR Resets,<br>WDT Reset,<br>RESET Instruction,<br>Stack Resets | Wake-up via WDT<br>or Interrupt |
|---------------------|--------------------|------|------|------|------------------------------------|--|---------------------------------|
|                     |                    |      |      |      |                                    |  |                                 |
| FSR1H               | 6X27               | 6X22 | 8X27 | 8X22 | ---- 0000                          | ---- 0000  | ---- uuuu                       |
| FSR1L               | 6X27               | 6X22 | 8X27 | 8X22 | xxxx xxxx                          | uuuu uuuu  | uuuu uuuu                       |
| BSR                 | 6X27               | 6X22 | 8X27 | 8X22 | ---- 0000                          | ---- 0000  | ---- uuuu                       |
| INDF2               | 6X27               | 6X22 | 8X27 | 8X22 | N/A                                | N/A  | N/A                             |
| POSTINC2            | 6X27               | 6X22 | 8X27 | 8X22 | N/A                                | N/A  | N/A                             |
| POSTDEC2            | 6X27               | 6X22 | 8X27 | 8X22 | N/A                                | N/A  | N/A                             |
| PREINC2             | 6X27               | 6X22 | 8X27 | 8X22 | N/A                                | N/A  | N/A                             |
| PLUSW2              | 6X27               | 6X22 | 8X27 | 8X22 | N/A                                | N/A  | N/A                             |
| FSR2H               | 6X27               | 6X22 | 8X27 | 8X22 | ---- 0000                          | ---- 0000  | ---- uuuu                       |
| FSR2L               | 6X27               | 6X22 | 8X27 | 8X22 | xxxx xxxx                          | uuuu uuuu  | uuuu uuuu                       |
| STATUS              | 6X27               | 6X22 | 8X27 | 8X22 | ---x xxxx                          | ---u uuuu  | ---u uuuu                       |
| TMR0H               | 6X27               | 6X22 | 8X27 | 8X22 | 0000 0000                          | 0000 0000  | uuuu uuuu                       |
| TMR0L               | 6X27               | 6X22 | 8X27 | 8X22 | xxxx xxxx                          | uuuu uuuu  | uuuu uuuu                       |
| T0CON               | 6X27               | 6X22 | 8X27 | 8X22 | 1111 1111                          | 1111 1111  | uuuu uuuu                       |
| OSCCON              | 6X27               | 6X22 | 8X27 | 8X22 | 0100 q000                          | 0100 q000  | uuuu uuqu                       |
| HLVDCON             | 6X27               | 6X22 | 8X27 | 8X22 | 0-00 0101                          | 0-00 0101  | u-uu uuuu                       |
| WDTCON              | 6X27               | 6X22 | 8X27 | 8X22 | ---- ---0                          | ---- ---0  | ---- ---u                       |
| RCON <sup>(4)</sup> | 6X27               | 6X22 | 8X27 | 8X22 | 0q-1 11q0                          | 0q-q qquu  | uq-u qquu                       |
| TMR1H               | 6X27               | 6X22 | 8X27 | 8X22 | xxxx xxxx                          | uuuu uuuu  | uuuu uuuu                       |
| TMR1L               | 6X27               | 6X22 | 8X27 | 8X22 | xxxx xxxx                          | uuuu uuuu  | uuuu uuuu                       |
| T1CON               | 6X27               | 6X22 | 8X27 | 8X22 | 0000 0000                          | u0uu uuuu  | uuuu uuuu                       |
| TMR2                | 6X27               | 6X22 | 8X27 | 8X22 | 0000 0000                          | 0000 0000  | uuuu uuuu                       |
| PR2                 | 6X27               | 6X22 | 8X27 | 8X22 | 1111 1111                          | uuuu uuuu  | uuuu uuuu                       |
| T2CON               | 6X27               | 6X22 | 8X27 | 8X22 | -000 0000                          | -000 0000  | -uuu uuuu                       |
| SSP1BUF             | 6X27               | 6X22 | 8X27 | 8X22 | xxxx xxxx                          | uuuu uuuu  | uuuu uuuu                       |
| SSP1ADD             | 6X27               | 6X22 | 8X27 | 8X22 | 0000 0000                          | 0000 0000  | uuuu uuuu                       |
| SSP1STAT            | 6X27               | 6X22 | 8X27 | 8X22 | 0000 0000                          | 0000 0000  | uuuu uuuu                       |
| SSP1CON1            | 6X27               | 6X22 | 8X27 | 8X22 | 0000 0000                          | 0000 0000  | uuuu uuuu                       |
| SSP1CON2            | 6X27               | 6X22 | 8X27 | 8X22 | 0000 0000                          | 0000 0000  | uuuu uuuu                       |

**Legend:** u = unchanged, x = unknown, - = unimplemented bit, read as '0', q = value depends on condition.  
Shaded cells indicate conditions do not apply for the designated device.

- Note**
- 1: One or more bits in the INTCONx or PIRx registers will be affected (to cause wake-up).
  - 2: When the wake-up is due to an interrupt and the GIEL or GIEH bit is set, the PC is loaded with the interrupt vector (0008h or 0018h).
  - 3: When the wake-up is due to an interrupt and the GIEL or GIEH bit is set, the TOSU, TOSH and TOSL are updated with the current value of the PC. The STKPTR is modified to point to the next location in the hardware stack.
  - 4: See Table 4-3 for Reset value for specific condition.
  - 5: Bits 6 and 7 of PORTA, LATA and TRISA are enabled, depending on the oscillator mode selected. When not enabled as PORTA pins, they are disabled and read '0'.

# PIC18F8722 FAMILY

**TABLE 4-4: INITIALIZATION CONDITIONS FOR ALL REGISTERS (CONTINUED)**

| Register | Applicable Devices |      |      |      | Power-on Reset,<br>Brown-out Reset | MCLR Resets,<br>WDT Reset,<br>RESET Instruction,<br>Stack Resets | Wake-up via WDT<br>or Interrupt |
|----------|--------------------|------|------|------|------------------------------------|--|---------------------------------|
|          | 6X27               | 6X22 | 8X27 | 8X22 |                                    |  |                                 |
| ADRESH   | 6X27               | 6X22 | 8X27 | 8X22 | xxxx xxxx                          | uuuu uuuu  | uuuu uuuu                       |
| ADRESL   | 6X27               | 6X22 | 8X27 | 8X22 | xxxx xxxx                          | uuuu uuuu  | uuuu uuuu                       |
| ADCON0   | 6X27               | 6X22 | 8X27 | 8X22 | --00 0000                          | --00 0000  | --uu uuuu                       |
| ADCON1   | 6X27               | 6X22 | 8X27 | 8X22 | --00 0000                          | --00 0000  | --uu uuuu                       |
| ADCON2   | 6X27               | 6X22 | 8X27 | 8X22 | 0-00 0000                          | 0-00 0000  | u-uu uuuu                       |
| CCPR1H   | 6X27               | 6X22 | 8X27 | 8X22 | xxxx xxxx                          | uuuu uuuu  | uuuu uuuu                       |
| CCPR1L   | 6X27               | 6X22 | 8X27 | 8X22 | xxxx xxxx                          | uuuu uuuu  | uuuu uuuu                       |
| CCP1CON  | 6X27               | 6X22 | 8X27 | 8X22 | 0000 0000                          | 0000 0000  | uuuu uuuu                       |
| CCPR2H   | 6X27               | 6X22 | 8X27 | 8X22 | xxxx xxxx                          | uuuu uuuu  | uuuu uuuu                       |
| CCPR2L   | 6X27               | 6X22 | 8X27 | 8X22 | xxxx xxxx                          | uuuu uuuu  | uuuu uuuu                       |
| CCP2CON  | 6X27               | 6X22 | 8X27 | 8X22 | 0000 0000                          | 0000 0000  | uuuu uuuu                       |
| CCPR3H   | 6X27               | 6X22 | 8X27 | 8X22 | xxxx xxxx                          | uuuu uuuu  | uuuu uuuu                       |
| CCPR3L   | 6X27               | 6X22 | 8X27 | 8X22 | xxxx xxxx                          | uuuu uuuu  | uuuu uuuu                       |
| CCP3CON  | 6X27               | 6X22 | 8X27 | 8X22 | 0000 0000                          | 0000 0000  | uuuu uuuu                       |
| ECCP1AS  | 6X27               | 6X22 | 8X27 | 8X22 | 0000 0000                          | 0000 0000  | uuuu uuuu                       |
| CVRCON   | 6X27               | 6X22 | 8X27 | 8X22 | 0000 0000                          | 0000 0000  | uuuu uuuu                       |
| CMCON    | 6X27               | 6X22 | 8X27 | 8X22 | 0000 0111                          | 0000 0111  | uuuu uuuu                       |
| TMR3H    | 6X27               | 6X22 | 8X27 | 8X22 | xxxx xxxx                          | uuuu uuuu  | uuuu uuuu                       |
| TMR3L    | 6X27               | 6X22 | 8X27 | 8X22 | xxxx xxxx                          | uuuu uuuu  | uuuu uuuu                       |
| T3CON    | 6X27               | 6X22 | 8X27 | 8X22 | 0000 0000                          | uuuu uuuu  | uuuu uuuu                       |
| PSPCON   | 6X27               | 6X22 | 8X27 | 8X22 | 0000 ----                          | 0000 ----  | uuuu ----                       |
| SPBRG1   | 6X27               | 6X22 | 8X27 | 8X22 | 0000 0000                          | 0000 0000  | uuuu uuuu                       |
| RCREG1   | 6X27               | 6X22 | 8X27 | 8X22 | 0000 0000                          | 0000 0000  | uuuu uuuu                       |
| TXREG1   | 6X27               | 6X22 | 8X27 | 8X22 | 0000 0000                          | 0000 0000  | uuuu uuuu                       |
| TXSTA1   | 6X27               | 6X22 | 8X27 | 8X22 | 0000 0010                          | 0000 0010  | uuuu uuuu                       |
| RCSTA1   | 6X27               | 6X22 | 8X27 | 8X22 | 0000 000x                          | 0000 000x  | uuuu uuuu                       |
| EEADRH   | 6X27               | 6X22 | 8X27 | 8X22 | ---- --00                          | ---- --00  | ---- --uu                       |
| EEADR    | 6X27               | 6X22 | 8X27 | 8X22 | 0000 0000                          | 0000 0000  | uuuu uuuu                       |
| EEDATA   | 6X27               | 6X22 | 8X27 | 8X22 | 0000 0000                          | 0000 0000  | uuuu uuuu                       |
| EECON2   | 6X27               | 6X22 | 8X27 | 8X22 | 0000 0000                          | 0000 0000  | 0000 0000                       |
| EECON1   | 6X27               | 6X22 | 8X27 | 8X22 | xx-0 x000                          | uu-0 u000  | uu-u uuuu                       |

**Legend:** u = unchanged, x = unknown, - = unimplemented bit, read as '0', q = value depends on condition.

Shaded cells indicate conditions do not apply for the designated device.

- Note** 1: One or more bits in the INTCONx or PIRx registers will be affected (to cause wake-up).  
 2: When the wake-up is due to an interrupt and the GIEL or GIEH bit is set, the PC is loaded with the interrupt vector (0008h or 0018h).  
 3: When the wake-up is due to an interrupt and the GIEL or GIEH bit is set, the TOSU, TOSH and TOSL are updated with the current value of the PC. The STKPTR is modified to point to the next location in the hardware stack.  
 4: See Table 4-3 for Reset value for specific condition.  
 5: Bits 6 and 7 of PORTA, LATA and TRISA are enabled, depending on the oscillator mode selected. When not enabled as PORTA pins, they are disabled and read '0'.

# PIC18F8722 FAMILY

**TABLE 4-4: INITIALIZATION CONDITIONS FOR ALL REGISTERS (CONTINUED)**

| Register             | Applicable Devices |      |      |      | Power-on Reset,<br>Brown-out Reset | MCLR Resets,<br>WDT Reset,<br>RESET Instruction,<br>Stack Resets | Wake-up via WDT<br>or Interrupt |
|----------------------|--------------------|------|------|------|------------------------------------|--|---------------------------------|
|                      |                    |      |      |      |                                    |  |                                 |
| IPR3                 | 6X27               | 6X22 | 8X27 | 8X22 | 1111 1111                          | 1111 1111  | uuuu uuuu                       |
| PIR3                 | 6X27               | 6X22 | 8X27 | 8X22 | 0000 0000                          | 0000 0000  | uuuu uuuu <sup>(1)</sup>        |
| PIE3                 | 6X27               | 6X22 | 8X27 | 8X22 | 0000 0000                          | 0000 0000  | uuuu uuuu                       |
| IPR2                 | 6X27               | 6X22 | 8X27 | 8X22 | 11-1 1111                          | 11-1 1111  | uu-u uuuu                       |
| PIR2                 | 6X27               | 6X22 | 8X27 | 8X22 | 00-0 0000                          | 00-0 0000  | uu-u uuuu <sup>(1)</sup>        |
| PIE2                 | 6X27               | 6X22 | 8X27 | 8X22 | 00-0 0000                          | 00-0 0000  | uu-u uuuu                       |
| IPR1                 | 6X27               | 6X22 | 8X27 | 8X22 | 1111 1111                          | 1111 1111  | uuuu uuuu                       |
| PIR1                 | 6X27               | 6X22 | 8X27 | 8X22 | 0000 0000                          | 0000 0000  | uuuu uuuu <sup>(1)</sup>        |
| PIE1                 | 6X27               | 6X22 | 8X27 | 8X22 | 0000 0000                          | 0000 0000  | uuuu uuuu                       |
| MEMCON               | 6X27               | 6X22 | 8X27 | 8X22 | 0-00 --00                          | 0-00 --00  | u-uu --uu                       |
| OSCTUNE              | 6X27               | 6X22 | 8X27 | 8X22 | 00-0 0000                          | 00-0 0000  | uu-u uuuu                       |
| TRISJ                | 6X27               | 6X22 | 8X27 | 8X22 | 1111 1111                          | 1111 1111  | uuuu uuuu                       |
| TRISH                | 6X27               | 6X22 | 8X27 | 8X22 | 1111 1111                          | 1111 1111  | uuuu uuuu                       |
| TRISG                | 6X27               | 6X22 | 8X27 | 8X22 | ---1 1111                          | ---1 1111  | ---u uuuu                       |
| TRISF                | 6X27               | 6X22 | 8X27 | 8X22 | 1111 1111                          | 1111 1111  | uuuu uuuu                       |
| TRISE                | 6X27               | 6X22 | 8X27 | 8X22 | 1111 1111                          | 1111 1111  | uuuu uuuu                       |
| TRISD                | 6X27               | 6X22 | 8X27 | 8X22 | 1111 1111                          | 1111 1111  | uuuu uuuu                       |
| TRISC                | 6X27               | 6X22 | 8X27 | 8X22 | 1111 1111                          | 1111 1111  | uuuu uuuu                       |
| TRISB                | 6X27               | 6X22 | 8X27 | 8X22 | 1111 1111                          | 1111 1111  | uuuu uuuu                       |
| TRISA <sup>(5)</sup> | 6X27               | 6X22 | 8X27 | 8X22 | 1111 1111 <sup>(5)</sup>           | 1111 1111 <sup>(5)</sup>   | uuuu uuuu <sup>(5)</sup>        |
| LATJ                 | 6X27               | 6X22 | 8X27 | 8X22 | xxxx xxxx                          | uuuu uuuu  | uuuu uuuu                       |
| LATH                 | 6X27               | 6X22 | 8X27 | 8X22 | xxxx xxxx                          | uuuu uuuu  | uuuu uuuu                       |
| LATG                 | 6X27               | 6X22 | 8X27 | 8X22 | --xx xxxx                          | --uu uuuu  | --uu uuuu                       |
| LATF                 | 6X27               | 6X22 | 8X27 | 8X22 | xxxx xxxx                          | uuuu uuuu  | uuuu uuuu                       |
| LATE                 | 6X27               | 6X22 | 8X27 | 8X22 | xxxx xxxx                          | uuuu uuuu  | uuuu uuuu                       |
| LATD                 | 6X27               | 6X22 | 8X27 | 8X22 | xxxx xxxx                          | uuuu uuuu  | uuuu uuuu                       |
| LATC                 | 6X27               | 6X22 | 8X27 | 8X22 | xxxx xxxx                          | uuuu uuuu  | uuuu uuuu                       |
| LATB                 | 6X27               | 6X22 | 8X27 | 8X22 | xxxx xxxx                          | uuuu uuuu  | uuuu uuuu                       |
| LATA <sup>(5)</sup>  | 6X27               | 6X22 | 8X27 | 8X22 | xxxx xxxx <sup>(5)</sup>           | uuuu uuuu <sup>(5)</sup>   | uuuu uuuu <sup>(5)</sup>        |
| PORTJ                | 6X27               | 6X22 | 8X27 | 8X22 | xxxx xxxx                          | uuuu uuuu  | uuuu uuuu                       |
| PORTH                | 6X27               | 6X22 | 8X27 | 8X22 | 0000 xxxx                          | uuuu uuuu  | uuuu uuuu                       |
| PORTG                | 6X27               | 6X22 | 8X27 | 8X22 | --xx xxxx                          | --uu uuuu  | --uu uuuu                       |
| PORTF                | 6X27               | 6X22 | 8X27 | 8X22 | x000 0000                          | u000 0000  | uuuu uuuu                       |
| PORTE                | 6X27               | 6X22 | 8X27 | 8X22 | xxxx xxxx                          | uuuu uuuu  | uuuu uuuu                       |
| PORTD                | 6X27               | 6X22 | 8X27 | 8X22 | xxxx xxxx                          | uuuu uuuu  | uuuu uuuu                       |
| PORTC                | 6X27               | 6X22 | 8X27 | 8X22 | xxxx xxxx                          | uuuu uuuu  | uuuu uuuu                       |
| PORTB                | 6X27               | 6X22 | 8X27 | 8X22 | xxxx xxxx                          | uuuu uuuu  | uuuu uuuu                       |

**Legend:** u = unchanged, x = unknown, - = unimplemented bit, read as '0', □ = value depends on condition.  
Shaded cells indicate conditions do not apply for the designated device.

- Note 1:** One or more bits in the INTCONx or PIRx registers will be affected (to cause wake-up).  
**Note 2:** When the wake-up is due to an interrupt and the GIEL or GIEH bit is set, the PC is loaded with the interrupt vector (0008h or 0018h).  
**Note 3:** When the wake-up is due to an interrupt and the GIEL or GIEH bit is set, the TOSU, TOSH and TOSL are updated with the current value of the PC. The STKPTR is modified to point to the next location in the hardware stack.  
**Note 4:** See Table 4-3 for Reset value for specific condition.  
**Note 5:** Bits 6 and 7 of PORTA, LATA and TRISA are enabled, depending on the oscillator mode selected. When not enabled as PORTA pins, they are disabled and read '0'.

# PIC18F8722 FAMILY

**TABLE 4-4: INITIALIZATION CONDITIONS FOR ALL REGISTERS (CONTINUED)**

| Register             | Applicable Devices |      |      |      | Power-on Reset,<br>Brown-out Reset | MCLR Resets,<br>WDT Reset,<br>RESET Instruction,<br>Stack Resets | Wake-up via WDT<br>or Interrupt |
|----------------------|--------------------|------|------|------|------------------------------------|--|---------------------------------|
|                      |                    |      |      |      |                                    |  |                                 |
| PORTA <sup>(5)</sup> | 6X27               | 6X22 | 8X27 | 8X22 | xx0x 0000 <sup>(5)</sup>           | uu0u 0000 <sup>(5)</sup>   | uuuu uuuu <sup>(5)</sup>        |
| SPBRGH1              | 6X27               | 6X22 | 8X27 | 8X22 | 0000 0000                          | 0000 0000  | uuuu uuuu                       |
| BAUDCON1             | 6X27               | 6X22 | 8X27 | 8X22 | 01-0 0-00                          | 01-0 0-00  | uu-u u-uu                       |
| SPBRGH2              | 6X27               | 6X22 | 8X27 | 8X22 | 0000 0000                          | 0000 0000  | uuuu uuuu                       |
| BAUDCON2             | 6X27               | 6X22 | 8X27 | 8X22 | 01-0 0-00                          | 01-0 0-00  | uu-u u-uu                       |
| ECCP1DEL             | 6X27               | 6X22 | 8X27 | 8X22 | 0000 0000                          | 0000 0000  | uuuu uuuu                       |
| TMR4                 | 6X27               | 6X22 | 8X27 | 8X22 | 0000 0000                          | 0000 0000  | uuuu uuuu                       |
| PR4                  | 6X27               | 6X22 | 8X27 | 8X22 | 1111 1111                          | uuuu uuuu  | uuuu uuuu                       |
| T4CON                | 6X27               | 6X22 | 8X27 | 8X22 | -000 0000                          | -000 0000  | -uuu uuuu                       |
| CCPR4H               | 6X27               | 6X22 | 8X27 | 8X22 | xxxx xxxx                          | uuuu uuuu  | uuuu uuuu                       |
| CCPR4L               | 6X27               | 6X22 | 8X27 | 8X22 | xxxx xxxx                          | uuuu uuuu  | uuuu uuuu                       |
| CCP4CON              | 6X27               | 6X22 | 8X27 | 8X22 | --00 0000                          | --00 0000  | --uu uuuu                       |
| CCPR5H               | 6X27               | 6X22 | 8X27 | 8X22 | xxxx xxxx                          | uuuu uuuu  | uuuu uuuu                       |
| CCPR5L               | 6X27               | 6X22 | 8X27 | 8X22 | xxxx xxxx                          | uuuu uuuu  | uuuu uuuu                       |
| CCP5CON              | 6X27               | 6X22 | 8X27 | 8X22 | --00 0000                          | --00 0000  | --uu uuuu                       |
| SPBRG2               | 6X27               | 6X22 | 8X27 | 8X22 | 0000 0000                          | 0000 0000  | uuuu uuuu                       |
| RCREG2               | 6X27               | 6X22 | 8X27 | 8X22 | 0000 0000                          | 0000 0000  | uuuu uuuu                       |
| TXREG2               | 6X27               | 6X22 | 8X27 | 8X22 | 0000 0000                          | 0000 0000  | uuuu uuuu                       |
| TXSTA2               | 6X27               | 6X22 | 8X27 | 8X22 | 0000 0010                          | 0000 0010  | uuuu uuuu                       |
| RCSTA2               | 6X27               | 6X22 | 8X27 | 8X22 | 0000 000x                          | 0000 000x  | uuuu uuuu                       |
| ECCP3AS              | 6X27               | 6X22 | 8X27 | 8X22 | 0000 0000                          | 0000 0000  | uuuu uuuu                       |
| ECCP3DEL             | 6X27               | 6X22 | 8X27 | 8X22 | 0000 0000                          | 0000 0000  | uuuu uuuu                       |
| ECCP2AS              | 6X27               | 6X22 | 8X27 | 8X22 | 0000 0000                          | 0000 0000  | uuuu uuuu                       |
| ECCP2DEL             | 6X27               | 6X22 | 8X27 | 8X22 | 0000 0000                          | 0000 0000  | uuuu uuuu                       |
| SSP2BUF              | 6X27               | 6X22 | 8X27 | 8X22 | xxxx xxxx                          | uuuu uuuu  | uuuu uuuu                       |
| SSP2ADD              | 6X27               | 6X22 | 8X27 | 8X22 | 0000 0000                          | 0000 0000  | uuuu uuuu                       |
| SSP2STAT             | 6X27               | 6X22 | 8X27 | 8X22 | 0000 0000                          | 0000 0000  | uuuu uuuu                       |
| SSP2CON1             | 6X27               | 6X22 | 8X27 | 8X22 | 0000 0000                          | 0000 0000  | uuuu uuuu                       |
| SSP2CON2             | 6X27               | 6X22 | 8X27 | 8X22 | 0000 0000                          | 0000 0000  | uuuu uuuu                       |

**Legend:** u = unchanged, x = unknown, - = unimplemented bit, read as '0', □ = value depends on condition.  
Shaded cells indicate conditions do not apply for the designated device.

- Note 1:** One or more bits in the INTCONx or PIRx registers will be affected (to cause wake-up).  
**Note 2:** When the wake-up is due to an interrupt and the GIEL or GIEH bit is set, the PC is loaded with the interrupt vector (0008h or 0018h).  
**Note 3:** When the wake-up is due to an interrupt and the GIEL or GIEH bit is set, the TOSU, TOSH and TOSL are updated with the current value of the PC. The STKPTR is modified to point to the next location in the hardware stack.  
**Note 4:** See Table 4-3 for Reset value for specific condition.  
**Note 5:** Bits 6 and 7 of PORTA, LATA and TRISA are enabled, depending on the oscillator mode selected. When not enabled as PORTA pins, they are disabled and read '0'.

# PIC18F8722 FAMILY

---

NOTES:



## 5.0 MEMORY ORGANIZATION

There are three types of memory in PIC18 Enhanced microcontroller devices:

- Program Memory
- Data RAM
- Data EEPROM

As Harvard architecture devices, the data and program memories use separate busses; this allows for concurrent access of the two memory spaces. The data EEPROM, for practical purposes, can be regarded as a peripheral device, since it is addressed and accessed through a set of control registers.

Additional detailed information on the operation of the Flash program memory is provided in **Section 6.0 “Flash Program Memory”**. Data EEPROM is discussed separately in **Section 8.0 “Data EEPROM Memory”**.

### 5.1 Program Memory Organization

PIC18 microcontrollers implement a 21-bit program counter, which is capable of addressing a 2-Mbyte program memory space. Accessing a location between the upper boundary of the physically implemented memory and the 2-Mbyte address will return all '0's (a NOP instruction).

The PIC18F6527 and PIC18F8527 each have 48 Kbytes of Flash memory and can store up to 24,576 single-word instructions.

The PIC18F6622 and PIC18F8622 each have 64 Kbytes of Flash memory and can store up to 32,768 single-word instructions.

The PIC18F6627 and PIC18F8627 each have 96 Kbytes of Flash memory and can store up to 49,152 single-word instructions.

The PIC18F6722 and PIC18F8722 each have 128 Kbytes of Flash memory and can store up to 65,536 single-word instructions.

PIC18 devices have two interrupt vectors. The Reset vector address is at 0000h and the interrupt vector addresses are at 0008h and 0018h.

The program memory map for the PIC18F8722 family of devices is shown in Figure 5-1.

#### 5.1.1 PIC18F8527/8622/8627/8722 PROGRAM MEMORY MODES

PIC18F8527/8622/8627/8722 devices differ significantly from their PIC18 predecessors in their utilization of program memory. In addition to available on-chip Flash program memory, these controllers can also address up to 2 Mbytes of external program memory through the external memory interface. There are four distinct operating modes available to the controllers:

- Microprocessor (MP)
- Microprocessor with Boot Block (MPBB)
- Extended Microcontroller (EMC)
- Microcontroller (MC)

The program memory mode is determined by setting the two Least Significant bits of the Configuration Register 3L (CONFIG3L) as shown in Register 25-4 (see **Section 25.1 “Configuration Bits”** for additional details on the device Configuration bits).

The program memory modes operate as follows:

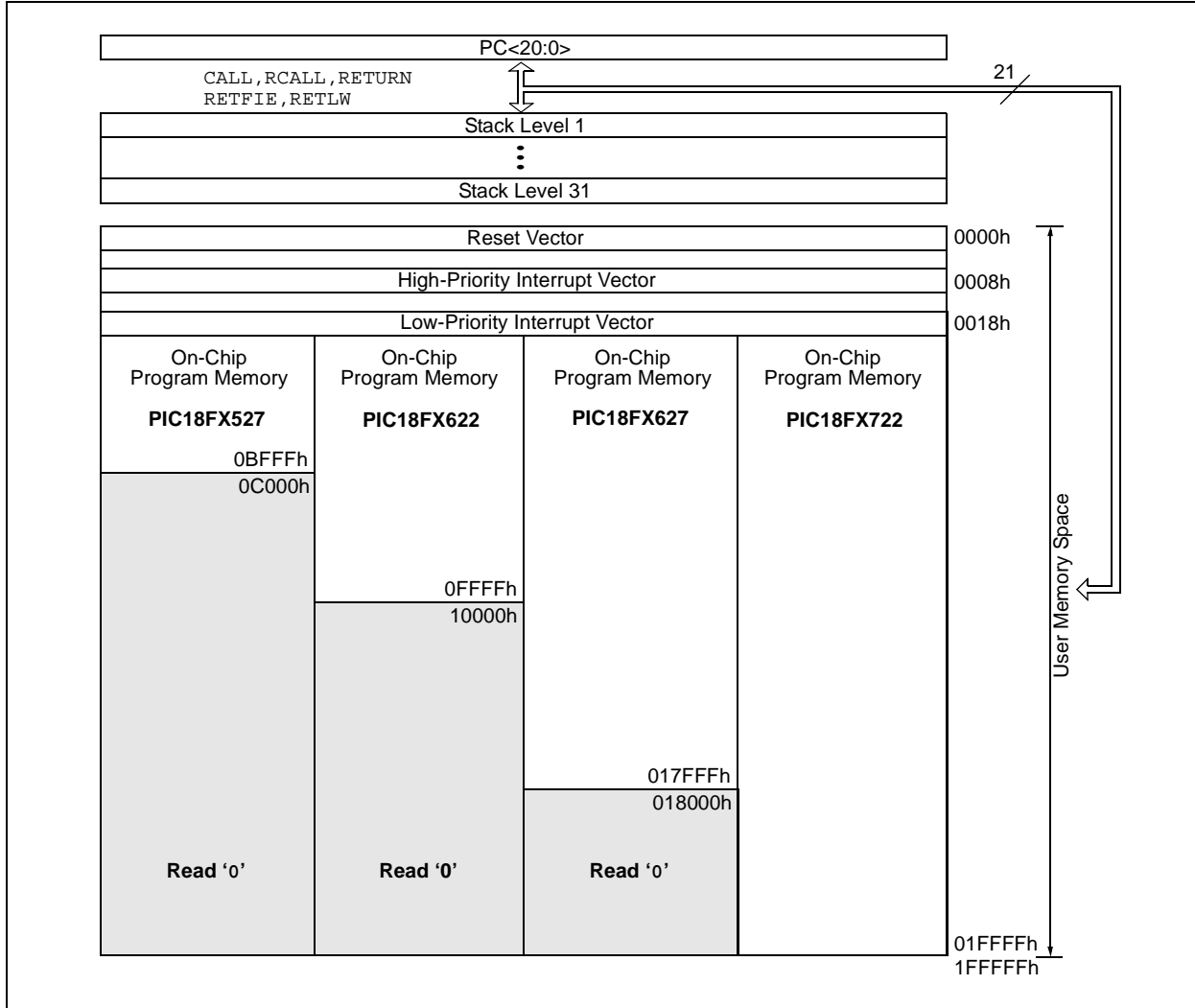
- The **Microprocessor Mode** permits access only to external program memory; the contents of the on-chip Flash memory are ignored. The 21-bit program counter permits access to a 2-Mbyte linear program memory space.
- The **Microprocessor with Boot Block Mode** accesses on-chip Flash memory from the boot block. Above this, external program memory is accessed all the way up to the 2-Mbyte limit. Program execution automatically switches between the two memories as required. The boot block is configurable to 1, 2 or 4 Kbytes.
- The **Microcontroller Mode** accesses only on-chip Flash memory. Attempts to read above the physical limit of the on-chip Flash (0BFFFh for the PIC18F8527, 0FFFFh for the PIC18F8622, 17FFFh for the PIC18F8627, 1FFFFh for the PIC18F8722) causes a read of all '0's (a NOP instruction).  
The Microcontroller mode is also the only operating mode available to PIC18F6527/6622/6627/6722 devices.
- The **Extended Microcontroller Mode** allows access to both internal and external program memories as a single block. The device can access its entire on-chip Flash memory; above this, the device accesses external program memory up to the 2-Mbyte program space limit. As with Boot Block mode, execution automatically switches between the two memories as required.

In all modes, the microcontroller has complete access to data RAM and EEPROM.

Figure 5-2 compares the memory maps of the different program memory modes. The differences between on-chip and external memory access limitations are more fully explained in Table 5-1.

# PIC18F8722 FAMILY

**FIGURE 5-1: PROGRAM MEMORY MAP AND STACK FOR PIC18F8722 FAMILY DEVICES**



**TABLE 5-1: MEMORY ACCESS FOR PIC18F8527/8622/8627/8722 PROGRAM MEMORY MODES**

| Operating Mode               | Internal Program Memory |                 |                | External Program Memory |                 |                |
|------------------------------|-------------------------|-----------------|----------------|-------------------------|-----------------|----------------|
|                              | Execution From          | Table Read From | Table Write To | Execution From          | Table Read From | Table Write To |
| Microprocessor               | No Access               | No Access       | No Access      | Yes                     | Yes             | Yes            |
| Microprocessor w/ Boot Block | Yes                     | Yes             | Yes            | Yes                     | Yes             | Yes            |
| Microcontroller              | Yes                     | Yes             | Yes            | No Access               | No Access       | No Access      |
| Extended Microcontroller     | Yes                     | Yes             | Yes            | Yes                     | Yes             | Yes            |

# PIC18F8722 FAMILY

**FIGURE 5-2: MEMORY MAPS FOR PIC18F8722 FAMILY PROGRAM MEMORY MODES**



# PIC18F8722 FAMILY

## 5.1.2 PROGRAM COUNTER

The Program Counter (PC) specifies the address of the instruction to fetch for execution. The PC is 21 bits wide and is contained in three separate 8-bit registers. The low byte, known as the PCL register, is both readable and writable. The high byte, or PCH register, contains the PC<15:8> bits; it is not directly readable or writable. Updates to the PCH register are performed through the PCLATH register. The upper byte is called PCU. This register contains the PC<20:16> bits; it is also not directly readable or writable. Updates to the PCU register are performed through the PCLATU register.

The contents of PCLATH and PCLATU are transferred to the program counter by any operation that writes PCL. Similarly, the upper two bytes of the program counter are transferred to PCLATH and PCLATU by an operation that reads PCL. This is useful for computed offsets to the PC (see **Section 5.1.5.1 “Computed GOTO”**).

The PC addresses bytes in the program memory. To prevent the PC from becoming misaligned with word instructions, the Least Significant bit of PCL is fixed to a value of ‘0’. The PC increments by 2 to address sequential instructions in the program memory.

The CALL, RCALL, GOTO and program branch instructions write to the program counter directly. For these instructions, the contents of PCLATH and PCLATU are not transferred to the program counter.

## 5.1.3 RETURN ADDRESS STACK

The return address stack allows any combination of up to 31 program calls and interrupts to occur. The PC is pushed onto the stack when a CALL or RCALL instruction is executed or an interrupt is Acknowledged. The PC value is pulled off the stack on a RETURN, RETLW or a RETFIE instruction. PCLATU and PCLATH are not affected by any of the RETURN or CALL instructions.

The stack operates as a 31-word by 21-bit RAM and a 5-bit Stack Pointer, STKPTR. The stack space is not part of either program or data space. The Stack Pointer is readable and writable and the address on the top of the stack is readable and writable through the top-of-stack Special File Registers. Data can also be pushed to, or popped from the stack, using these registers.

A CALL type instruction causes a push onto the stack; the Stack Pointer is first incremented and the location pointed to by the Stack Pointer is written with the contents of the PC (already pointing to the instruction following the CALL). A RETURN type instruction causes a POP from the stack; the contents of the location pointed to by the STKPTR are transferred to the PC and then the Stack Pointer is decremented.

The Stack Pointer is initialized to ‘00000’ after all Resets. There is no RAM associated with the location corresponding to a Stack Pointer value of ‘00000’; this is only a Reset value. Status bits indicate if the stack is full or has overflowed or has underflowed.

### 5.1.3.1 Top-of-Stack Access

Only the top of the return address stack (TOS) is readable and writable. A set of three registers, TOSU:TOSH:TOSL, hold the contents of the stack location pointed to by the STKPTR register (Figure 5-3). This allows users to implement a software stack if necessary. After a CALL, RCALL or interrupt, the software can read the pushed value by reading the TOSU:TOSH:TOSL registers. These values can be placed on a user defined software stack. At return time, the software can return these values to TOSU:TOSH:TOSL and do a return.

The user must disable the global interrupt enable bits while accessing the stack to prevent inadvertent stack corruption.

**FIGURE 5-3: RETURN ADDRESS STACK AND ASSOCIATED REGISTERS**



## 5.1.3.2 Return Stack Pointer (STKPTR)

The STKPTR register (Register 5-1) contains the Stack Pointer value, the STKFUL (Stack Full) status bit and the STKUNF (Stack Underflow) status bits. The value of the Stack Pointer can be 0 through 31. The Stack Pointer increments before values are pushed onto the stack and decrements after values are popped off the stack. On Reset, the Stack Pointer value will be zero. The user may read and write the Stack Pointer value. This feature can be used by a Real-Time Operating System (RTOS) for return stack maintenance.

After the PC is pushed onto the stack 31 times (without popping any values off the stack), the STKFUL bit is set. The STKFUL bit is cleared by software or by a POR.

The action that takes place when the stack becomes full depends on the state of the STVREN (Stack Overflow Reset Enable) Configuration bit. (Refer to **Section 25.1 “Configuration Bits”** for a description of the device Configuration bits.) If STVREN is set (default), the 31st PUSH will push the (PC + 2) value onto the stack, set the STKFUL bit and reset the device. The STKFUL bit will remain set and the Stack Pointer will be set to zero.

If STVREN is cleared, the STKFUL bit will be set on the 31st PUSH and the Stack Pointer will increment to 31. Any additional pushes will not overwrite the 31st PUSH and STKPTR will remain at 31.

When the stack has been popped enough times to unload the stack, the next POP will return a value of zero to the PC and set the STKUNF bit, while the Stack Pointer remains at zero. The STKUNF bit will remain set until cleared by software or until a POR occurs.

**Note:** Returning a value of zero to the PC on an underflow has the effect of vectoring the program to the Reset vector, where the stack conditions can be verified and appropriate actions can be taken. This is not the same as a Reset, as the contents of the SFRs are not affected.

## 5.1.3.3 PUSH and POP Instructions

Since the Top-of-Stack is readable and writable, the ability to push values onto the stack and pull values off the stack without disturbing normal program execution is a desirable feature. The PIC18 instruction set includes two instructions, PUSH and POP, that permit the TOS to be manipulated under software control. TOSU, TOSH and TOSL can be modified to place data or a return address on the stack.

The PUSH instruction places the current PC value onto the stack. This increments the Stack Pointer and loads the current PC value onto the stack.

The POP instruction discards the current TOS by decrementing the Stack Pointer. The previous value pushed onto the stack then becomes the TOS value.

## REGISTER 5-1: STKPTR: STACK POINTER REGISTER

|                       |                       |     |       |       |       |       |       |
|-----------------------|-----------------------|-----|-------|-------|-------|-------|-------|
| R/C-0                 | R/C-0                 | U-0 | R/W-0 | R/W-0 | R/W-0 | R/W-0 | R/W-0 |
| STKFUL <sup>(1)</sup> | STKUNF <sup>(1)</sup> | —   | SP4   | SP3   | SP2   | SP1   | SP0   |
| bit 7                 |                       |     |       |       |       |       | bit 0 |

### Legend:

R = Readable bit  
-n = Value at POR

W = Writable bit  
'1' = Bit is set

U = Unimplemented bit, read as '0'  
'0' = Bit is cleared

x = Bit is unknown

|         |   |
|---------|---|
| bit 7   | <b>STKFUL:</b> Stack Full Flag bit <sup>(1)</sup><br>1 = Stack became full or overflowed<br>0 = Stack has not become full or overflowed |
| bit 6   | <b>STKUNF:</b> Stack Underflow Flag bit <sup>(1)</sup><br>1 = Stack underflow occurred<br>0 = Stack underflow did not occur             |
| bit 5   | <b>Unimplemented:</b> Read as '0'   |
| bit 4-0 | <b>SP&lt;4:0&gt;:</b> Stack Pointer Location bits   |

**Note 1:** Bit 7 and bit 6 are cleared by user software or by a POR.

# PIC18F8722 FAMILY

## 5.1.3.4 Stack Full and Underflow Resets

Device Resets on stack overflow and stack underflow conditions are enabled by setting the STVREN bit in Configuration Register 4L. When STVREN is set, a full or underflow will set the appropriate STKFUL or STKUNF bit and then cause a device Reset. When STVREN is cleared, a full or underflow condition will set the appropriate STKFUL or STKUNF bit, but not cause a device Reset. The STKFUL or STKUNF bits are cleared by the user software or a Power-on Reset.

## 5.1.4 FAST REGISTER STACK

A fast register stack is provided for the STATUS, WREG and BSR registers, to provide a “fast return” option for interrupts. The stack for each register is only one level deep and is neither readable nor writable. It is loaded with the current value of the corresponding register when the processor vectors for an interrupt. All interrupt sources will push values into the Stack registers. The values in the registers are then loaded back into their associated registers if the RETFIE, FAST instruction is used to return from the interrupt.

If both low and high-priority interrupts are enabled, the stack registers cannot be used reliably to return from low-priority interrupts. If a high-priority interrupt occurs while servicing a low-priority interrupt, the Stack register values stored by the low-priority interrupt will be overwritten. In these cases, users must save the key registers in software during a low-priority interrupt.

If interrupt priority is not used, all interrupts may use the fast register stack for returns from interrupt. If no interrupts are used, the fast register stack can be used to restore the STATUS, WREG and BSR registers at the end of a subroutine call. To use the fast register stack for a subroutine call, a CALL label, FAST instruction must be executed to save the STATUS, WREG and BSR registers to the fast register stack. A RETURN, FAST instruction is then executed to restore these registers from the fast register stack.

Example 5-1 shows a source code example that uses the fast register stack during a subroutine call and return.

## EXAMPLE 5-1: FAST REGISTER STACK CODE EXAMPLE

```
CALL SUB1, FAST    ;STATUS, WREG, BSR
                  ;SAVED IN FAST REGISTER
                  ;STACK
    .
    .
SUB1    .
    .
RETURN, FAST    ;RESTORE VALUES SAVED
            ;IN FAST REGISTER STACK
```

## 5.1.5 LOOK-UP TABLES IN PROGRAM MEMORY

There may be programming situations that require the creation of data structures, or look-up tables, in program memory. For PIC18 devices, look-up tables can be implemented in two ways:

- Computed GOTO
- Table Reads

### 5.1.5.1 Computed GOTO

A computed GOTO is accomplished by adding an offset to the program counter. An example is shown in Example 5-2.

A look-up table can be formed with an ADDWF PCL instruction and a group of RETLW nn instructions. The W register is loaded with an offset into the table before executing a call to that table. The first instruction of the called routine is the ADDWF PCL instruction. The next instruction executed will be one of the RETLW nn instructions that returns the value ‘nn’ to the calling function.

The offset value (in WREG) specifies the number of bytes that the program counter should advance and should be multiples of 2 (LSb = 0).

In this method, only one data byte may be stored in each instruction location and room on the return address stack is required.

**Note:** The “ADDWF PCL” instruction does not update the PCLATH and PCLATU registers. A read operation on PCL must be performed to update PCLATH and PCLATU.

## EXAMPLE 5-2: COMPUTED GOTO USING AN OFFSET VALUE

```
MAIN:  ORG    0x0000
        MOVLW 0x00
        CALL  TABLE
    ...
        ORG    0x8000
TABLE  MOVF  PCL, F    ; A simple read of PCL will update PCLATH, PCLATU
        RLNCF W, W    ; Multiply by 2 to get correct offset in table
        ADDWF PCL    ; Add the modified offset to force jump into table
        RETLW 'A'
        RETLW 'B'
        RETLW 'C'
        RETLW 'D'
        RETLW 'E'
        END
```

# PIC18F8722 FAMILY

## 5.1.5.2 Table Reads and Table Writes

A better method of storing data in program memory allows two bytes of data to be stored in each instruction location.

Look-up table data may be stored two bytes per program word by using table reads and writes. The Table Pointer (TBLPTR) register specifies the byte address and the Table Latch (TABLAT) register contains the data that is read from or written to program memory. Data is transferred to or from program memory one byte at a time.

Table read and table write operations are discussed further in **Section 6.1 “Table Reads and Table Writes”**.

## 5.2 PIC18 Instruction Cycle

### 5.2.1 CLOCKING SCHEME

The microcontroller clock input, whether from an internal or external source, is internally divided by four to generate four non-overlapping quadrature clocks (Q1, Q2, Q3 and Q4). Internally, the program counter is incremented on every Q1; the instruction is fetched from the program

memory and latched into the instruction register during Q4. The instruction is decoded and executed during the following Q1 through Q4. The clocks and instruction execution flow are shown in Figure 5-4.

### 5.2.2 INSTRUCTION FLOW/PIPELINING

An “Instruction Cycle” consists of four Q cycles: Q1 through Q4. The instruction fetch and execute are pipelined in such a manner that a fetch takes one instruction cycle, while the decode and execute take another instruction cycle. However, due to the pipelining, each instruction effectively executes in one cycle. If an instruction causes the program counter to change (e.g., GOTO), then two cycles are required to complete the instruction (Example 5-3).

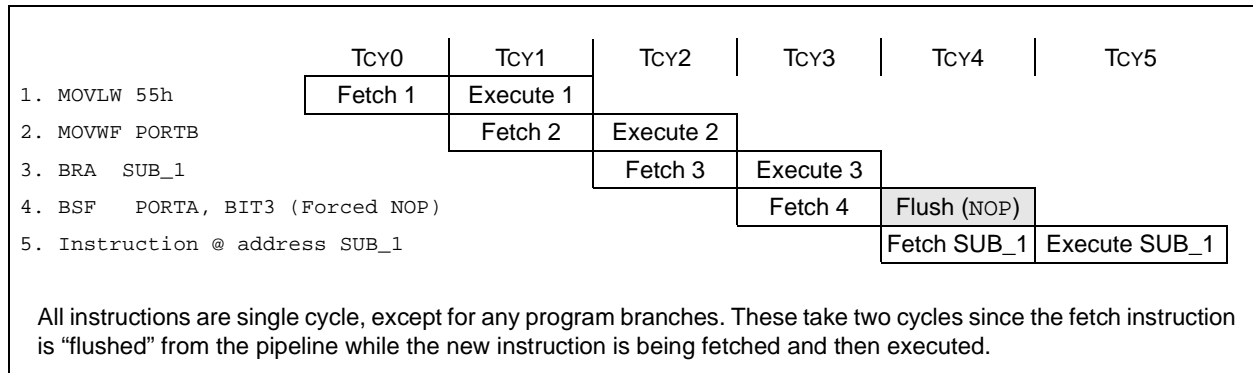
A fetch cycle begins with the program counter incrementing in Q1.

In the execution cycle, the fetched instruction is latched into the Instruction Register (IR) in cycle Q1. This instruction is then decoded and executed during the Q2, Q3 and Q4 cycles. Data memory is read during Q2 (operand read) and written during Q4 (destination write).

**FIGURE 5-4: CLOCK/INSTRUCTION CYCLE**



**EXAMPLE 5-3: INSTRUCTION PIPELINE FLOW**



# PIC18F8722 FAMILY

## 5.2.3 INSTRUCTIONS IN PROGRAM MEMORY

The program memory is addressed in bytes. Instructions are stored as two bytes or four bytes in program memory. The Least Significant Byte of an instruction word is always stored in a program memory location with an even address (LSb = 0). To maintain alignment with instruction boundaries, the PC increments in steps of 2 and the LSb will always read '0' (see **Section 5.1.2 "Program Counter"**).

Figure 5-5 shows an example of how instruction words are stored in the program memory.

The **CALL** and **GOTO** instructions have the absolute program memory address embedded into the instruction. Since instructions are always stored on word boundaries, the data contained in the instruction is a word address. The word address is written to PC<20:1>, which accesses the desired byte address in program memory. Instruction #2 in Figure 5-5 shows how the instruction **GOTO 0006h** is encoded in the program memory. Program branch instructions, which encode a relative address offset, operate in the same manner. The offset value stored in a branch instruction represents the number of single-word instructions that the PC will be offset by. **Section 26.0 "Instruction Set Summary"** provides further details of the instruction set.

**FIGURE 5-5: INSTRUCTIONS IN PROGRAM MEMORY**

| Program Memory<br>Byte Locations → |       |            | Word Address |         |         |
|------------------------------------|-------|------------|--------------|---------|---------|
|                                    |       |            | LSB = 1      | LSB = 0 |         |
|                                    |       |            |              | 000000h |         |
|                                    |       |            |              | 000002h |         |
|                                    |       |            |              | 000004h |         |
|                                    |       |            |              | 000006h |         |
| Instruction 1:                     | MOVLW | 055h       | 0Fh          | 55h     | 000008h |
| Instruction 2:                     | GOTO  | 0006h      | EFh          | 03h     | 00000Ah |
|                                    |       |            | F0h          | 00h     | 00000Ch |
| Instruction 3:                     | MOVFF | 123h, 456h | C1h          | 23h     | 00000Eh |
|                                    |       |            | F4h          | 56h     | 000010h |
|                                    |       |            |              |         | 000012h |
|                                    |       |            |              |         | 000014h |



## 5.2.4 TWO-WORD INSTRUCTIONS

The standard PIC18 instruction set has 8 two-word instructions: CALL, MOVFF, GOTO, LSR, ADDLW, CALLW, MOVSS and SUBLW. In all cases, the second word of the instructions always has '1111' as its four Most Significant bits; the other 12 bits are literal data, usually a data memory address.

The use of '1111' in the 4 MSBs of an instruction specifies a special form of NOP. If the instruction is executed in proper sequence – immediately after the first word – the data in the second word is accessed and used by

the instruction sequence. If the first word is skipped for some reason and the second word is executed by itself, a NOP is executed instead. This is necessary for cases when the two-word instruction is preceded by a conditional instruction that changes the PC. Example 5-4 shows how this works.

**Note:** See Section 5.6 “PIC18 Instruction Execution and the Extended Instruction Set” for information on two-word instructions in the extended instruction set.

### EXAMPLE 5-4: TWO-WORD INSTRUCTIONS

| CASE 1:             |   |
|---------------------|---|
| Object Code         | Source Code                               |
| 0110 0110 0000 0000 | TSTFSZ REG1 ; is RAM location 0?          |
| 1100 0001 0010 0011 | MOVFF REG1, REG2 ; No, skip this word     |
| 1111 0100 0101 0110 | ; Execute this word as a NOP              |
| 0010 0100 0000 0000 | ADDWF REG3 ; continue code                |
| CASE 2:             |   |
| Object Code         | Source Code                               |
| 0110 0110 0000 0000 | TSTFSZ REG1 ; is RAM location 0?          |
| 1100 0001 0010 0011 | MOVFF REG1, REG2 ; Yes, execute this word |
| 1111 0100 0101 0110 | ; 2nd word of instruction                 |
| 0010 0100 0000 0000 | ADDWF REG3 ; continue code                |

# PIC18F8722 FAMILY

---

## 5.3 Data Memory Organization

**Note:** The operation of some aspects of data memory are changed when the PIC18 extended instruction set is enabled. See **Section 5.5 “Data Memory and the Extended Instruction Set”** for more information.

The data memory in PIC18 devices is implemented as static RAM. Each register in the data memory has a 12-bit address, allowing up to 4096 bytes of data memory. The memory space is divided into as many as 16 banks that contain 256 bytes each; the PIC18F8722 family of devices implements all 16 banks. Figure 5-6 shows the data memory organization for the PIC18F8722 family of devices.

The data memory contains Special Function Registers (SFRs) and General Purpose Registers (GPRs). The SFRs are used for control and status of the controller and peripheral functions, while GPRs are used for data storage and scratchpad operations in the user's application. Any read of an unimplemented location will read as '0's.

The instruction set and architecture allow operations across all banks. The entire data memory may be accessed by Direct, Indirect or Indexed Addressing modes. Addressing modes are discussed later in this subsection.

To ensure that commonly used registers (SFRs and select GPRs) can be accessed in a single cycle, PIC18 devices implement an Access Bank. This is a 256-byte memory space that provides fast access to SFRs and the lower portion of GPR Bank 0 without using the BSR. **Section 5.3.2 “Access Bank”** provides a detailed description of the Access RAM.

### 5.3.1 BANK SELECT REGISTER (BSR)

Large areas of data memory require an efficient addressing scheme to make rapid access to any address possible. Ideally, this means that an entire address does not need to be provided for each read or write operation. For PIC18 devices, this is accomplished with a RAM banking scheme. This divides the memory space into 16 contiguous banks of 256 bytes. Depending on the instruction, each location can be addressed directly by its full 12-bit address, or an 8-bit low-order address and a 4-bit Bank Pointer.

Most instructions in the PIC18 instruction set make use of the Bank Pointer, known as the Bank Select Register (BSR). This SFR holds the 4 Most Significant bits of a location's address; the instruction itself includes the 8 Least Significant bits. Only the four lower bits of the BSR are implemented (BSR<3:0>). The upper four bits are unused; they will always read '0' and cannot be written to. The BSR can be loaded directly by using the `MOVLB` instruction.

The value of the BSR indicates the bank in data memory; the 8 bits in the instruction show the location in the bank and can be thought of as an offset from the bank's lower boundary. The relationship between the BSR's value and the bank division in data memory is shown in Figure 5-7.

Since up to 16 registers may share the same low-order address, the user must always be careful to ensure that the proper bank is selected before performing a data read or write. For example, writing what should be program data to an 8-bit address of F9h while the BSR is 0Fh will end up resetting the program counter.

While any bank can be selected, only those banks that are actually implemented can be read or written to. Writes to unimplemented banks are ignored, while reads from unimplemented banks will return '0's. Even so, the STATUS register will still be affected as if the operation was successful. The data memory map in Figure 5-6 indicates which banks are implemented.

In the core PIC18 instruction set, only the `MOVFF` instruction fully specifies the 12-bit address of the source and target registers. This instruction ignores the BSR completely when it executes. All other instructions include only the low-order address as an operand and must use either the BSR or the Access Bank to locate their target registers.

# PIC18F8722 FAMILY

**FIGURE 5-6: DATA MEMORY MAP FOR THE PIC18F8722 FAMILY OF DEVICES**



# PIC18F8722 FAMILY

FIGURE 5-7: USE OF THE BANK SELECT REGISTER (DIRECT ADDRESSING)



## 5.3.2 ACCESS BANK

While the use of the BSR with an embedded 8-bit address allows users to address the entire range of data memory, it also means that the user must always ensure that the correct bank is selected. Otherwise, data may be read from or written to the wrong location. This can be disastrous if a GPR is the intended target of an operation, but an SFR is written to instead. Verifying and/or changing the BSR for each read or write to data memory can become very inefficient.

To streamline access for the most commonly used data memory locations, the data memory is configured with an Access Bank, which allows users to access a mapped block of memory without specifying a BSR. The Access Bank consists of the first 96 bytes of memory (00h-5Fh) in Bank 0 and the last 160 bytes of memory (60h-FFh) in Block 15. The lower half is known as the "Access RAM" and is composed of GPRs. This upper half is also where the device's SFRs are mapped. These two areas are mapped contiguously in the Access Bank and can be addressed in a linear fashion by an 8-bit address (Figure 5-6).

The Access Bank is used by core PIC18 instructions that include the Access RAM bit (the 'a' parameter in the instruction). When 'a' is equal to '1', the instruction uses the BSR and the 8-bit address included in the opcode for the data memory address. When 'a' is '0',

however, the instruction is forced to use the Access Bank address map; the current value of the BSR is ignored entirely.

Using this "forced" addressing allows the instruction to operate on a data address in a single cycle, without updating the BSR first. For 8-bit addresses of 60h and above, this means that users can evaluate and operate on SFRs more efficiently. The Access RAM below 60h is a good place for data values that the user might need to access rapidly, such as immediate computational results or common program variables. Access RAM also allows for faster and more code efficient context saving and switching of variables.

The mapping of the Access Bank is slightly different when the extended instruction set is enabled (XINST Configuration bit = 1). This is discussed in more detail in **Section 5.5.3 "Mapping the Access Bank in Indexed Literal Offset Mode"**.

## 5.3.3 GENERAL PURPOSE REGISTER FILE

PIC18 devices may have banked memory in the GPR area. This is data RAM, which is available for use by all instructions. GPRs start at the bottom of Bank 0 (address 000h) and grow upwards towards the bottom of the SFR area. GPRs are not initialized by a Power-on Reset and are unchanged on all other Resets.

# PIC18F8722 FAMILY

## 5.3.4 SPECIAL FUNCTION REGISTERS

The Special Function Registers (SFRs) are registers used by the CPU and peripheral modules for controlling the desired operation of the device. These registers are implemented as static RAM. SFRs start at the top of data memory (FFFh) and extend downward to occupy the top half of Bank 15 (F60h to FFFh). A list of these registers is given in Table 5-2 and Table 5-3.

The SFRs can be classified into two sets: those associated with the “core” device functionality (ALU, Resets and interrupts) and those related to the peripheral functions. The Reset and interrupt registers are described in their respective chapters, while the ALU’s STATUS register is described later in this section. Registers related to the operation of a peripheral feature are described in the chapter for that peripheral.

The SFRs are typically distributed among the peripherals whose functions they control. Unused SFR locations are unimplemented and read as ‘0’s.

**TABLE 5-2: SPECIAL FUNCTION REGISTER MAP FOR THE PIC18F8722 FAMILY OF DEVICES**

| Address | Name                    | Address | Name                    | Address | Name                  | Address | Name                 | Address | Name             |
|---------|-------------------------|---------|-------------------------|---------|-----------------------|---------|----------------------|---------|------------------|
| FFFh    | TOSU                    | FDFh    | INDF2 <sup>(1)</sup>    | FBFh    | CCPR1H                | F9Fh    | IPR1                 | F7Fh    | SPBRGH1          |
| FFEh    | TOSH                    | FDEh    | POSTINC2 <sup>(1)</sup> | FBEh    | CCPR1L                | F9Eh    | PIR1                 | F7Eh    | BAUDCON1         |
| FFDh    | TOSL                    | FDDh    | POSTDEC2 <sup>(1)</sup> | FBDh    | CCP1CON               | F9Dh    | PIE1                 | F7Dh    | SPBRGH2          |
| FFCh    | STKPTR                  | FDCh    | PREINC2 <sup>(1)</sup>  | FBCh    | CCPR2H                | F9Ch    | MEMCON               | F7Ch    | BAUDCON2         |
| FFBh    | PCLATU                  | FDBh    | PLUSW2 <sup>(1)</sup>   | FBh     | CCPR2L                | F9Bh    | OSCTUNE              | F7Bh    | — <sup>(2)</sup> |
| FFAh    | PCLATH                  | FDAh    | FSR2H                   | FBAh    | CCP2CON               | F9Ah    | TRISJ <sup>(3)</sup> | F7Ah    | — <sup>(2)</sup> |
| FF9h    | PCL                     | FD9h    | FSR2L                   | FB9h    | CCPR3H                | F99h    | TRISH <sup>(3)</sup> | F79h    | ECCP1DEL         |
| FF8h    | TBLPTRU                 | FD8h    | STATUS                  | FB8h    | CCPR3L                | F98h    | TRISG                | F78h    | TMR4             |
| FF7h    | TBLPTRH                 | FD7h    | TMR0H                   | FB7h    | CCP3CON               | F97h    | TRISF                | F77h    | PR4              |
| FF6h    | TBLPTRL                 | FD6h    | TMR0L                   | FB6h    | ECCP1AS               | F96h    | TRISE                | F76h    | T4CON            |
| FF5h    | TABLAT                  | FD5h    | T0CON                   | FB5h    | CVRCON                | F95h    | TRISD                | F75h    | CCPR4H           |
| FF4h    | PRODH                   | FD4h    | — <sup>(2)</sup>        | FB4h    | CMCON                 | F94h    | TRISC                | F74h    | CCPR4L           |
| FF3h    | PRODL                   | FD3h    | OSCCON                  | FB3h    | TMR3H                 | F93h    | TRISB                | F73h    | CCP4CON          |
| FF2h    | INTCON                  | FD2h    | HLVDCON                 | FB2h    | TMR3L                 | F92h    | TRISA                | F72h    | CCPR5H           |
| FF1h    | INTCON2                 | FD1h    | WDTCON                  | FB1h    | T3CON                 | F91h    | LATJ <sup>(3)</sup>  | F71h    | CCPR5L           |
| FF0h    | INTCON3                 | FD0h    | RCON                    | FB0h    | PSPCON                | F90h    | LATH <sup>(3)</sup>  | F70h    | CCP5CON          |
| FEFh    | INDF0 <sup>(1)</sup>    | FCFh    | TMR1H                   | FAFh    | SPBRG1                | F8Fh    | LATG                 | F6Fh    | SPBRG2           |
| FEeh    | POSTINC0 <sup>(1)</sup> | FCEh    | TMR1L                   | FAEh    | RCREG1                | F8Eh    | LATF                 | F6Eh    | RCREG2           |
| FEDh    | POSTDEC0 <sup>(1)</sup> | FCDh    | T1CON                   | FADh    | TXREG1                | F8Dh    | LATE                 | F6Dh    | TXREG2           |
| FECh    | PREINC0 <sup>(1)</sup>  | FCCh    | TMR2                    | FACH    | TXSTA1                | F8Ch    | LATD                 | F6Ch    | TXSTA2           |
| FEBh    | PLUSW0 <sup>(1)</sup>   | FCBh    | PR2                     | FABh    | RCSTA1                | F8Bh    | LATC                 | F6Bh    | RCSTA2           |
| FEAh    | FSR0H                   | FCAh    | T2CON                   | FAAh    | EEADRH                | F8Ah    | LATB                 | F6Ah    | ECCP3AS          |
| FE9h    | FSR0L                   | FC9h    | SSP1BUF                 | FA9h    | EEADR                 | F89h    | LATA                 | F69h    | ECCP3DEL         |
| FE8h    | WREG                    | FC8h    | SSP1ADD                 | FA8h    | EEDATA                | F88h    | PORTJ <sup>(3)</sup> | F68h    | ECCP2AS          |
| FE7h    | INDF1 <sup>(1)</sup>    | FC7h    | SSP1STAT                | FA7h    | EECON2 <sup>(1)</sup> | F87h    | PORTH <sup>(3)</sup> | F67h    | ECCP2DEL         |
| FE6h    | POSTINC1 <sup>(1)</sup> | FC6h    | SSP1CON1                | FA6h    | EECON1                | F86h    | PORTG                | F66h    | SSP2BUF          |
| FE5h    | POSTDEC1 <sup>(1)</sup> | FC5h    | SSP1CON2                | FA5h    | IPR3                  | F85h    | PORTF                | F65h    | SSP2ADD          |
| FE4h    | PREINC1 <sup>(1)</sup>  | FC4h    | ADRESH                  | FA4h    | PIR3                  | F84h    | PORTE                | F64h    | SSP2STAT         |
| FE3h    | PLUSW1 <sup>(1)</sup>   | FC3h    | ADRESL                  | FA3h    | PIE3                  | F83h    | PORTD                | F63h    | SSP2CON1         |
| FE2h    | FSR1H                   | FC2h    | ADCON0                  | FA2h    | IPR2                  | F82h    | PORTC                | F62h    | SSP2CON2         |
| FE1h    | FSR1L                   | FC1h    | ADCON1                  | FA1h    | PIR2                  | F81h    | PORTB                | F61h    | — <sup>(2)</sup> |
| FE0h    | BSR                     | FC0h    | ADCON2                  | FA0h    | PIE2                  | F80h    | PORTA                | F60h    | — <sup>(2)</sup> |

- Note**
- 1: This is not a physical register.
  - 2: Unimplemented registers are read as ‘0’.
  - 3: This register is not available on 64-pin devices.

# PIC18F8722 FAMILY

**TABLE 5-3: REGISTER FILE SUMMARY**

| File Name | Bit 7  | Bit 6                 | Bit 5                 | Bit 4   | Bit 3                                       | Bit 2  | Bit 1  | Bit 0  | Value on POR, BOR | Details on page: |
|-----------|--|-----------------------|-----------------------|---|---|--------|--------|--------|-------------------|------------------|
| TOSU      | —  | —                     | —                     | Top-of-Stack Upper Byte (TOS<20:16>)                    |   |        |        |        | ---0 0000         | 57, 66           |
| TOSH      | Top-of-Stack High Byte (TOS<15:8>)   |                       |                       |   |   |        |        |        | 0000 0000         | 57, 66           |
| TOSL      | Top-of-Stack Low Byte (TOS<7:0>)   |                       |                       |   |   |        |        |        | 0000 0000         | 57, 66           |
| STKPTR    | STKFUL <sup>(6)</sup>  | STKUNF <sup>(6)</sup> | —                     | SP4   | SP3   | SP2    | SP1    | SP0    | 00-0 0000         | 57, 67           |
| PCLATU    | —  | —                     | —                     | Holding Register for PC<20:16>                          |   |        |        |        | ---0 0000         | 57, 66           |
| PCLATH    | Holding Register for PC<15:8>  |                       |                       |   |   |        |        |        | 0000 0000         | 57, 66           |
| PCL       | PC Low Byte (PC<7:0>)  |                       |                       |   |   |        |        |        | 0000 0000         | 57, 66           |
| TBLPTRU   | —  | —                     | bit 21 <sup>(7)</sup> | Program Memory Table Pointer Upper Byte (TBLPTR<20:16>) |   |        |        |        | --00 0000         | 57, 90           |
| TBLPTRH   | Program Memory Table Pointer High Byte (TBLPTR<15:8>)  |                       |                       |   |   |        |        |        | 0000 0000         | 57, 90           |
| TBLPTRL   | Program Memory Table Pointer Low Byte (TBLPTR<7:0>)  |                       |                       |   |   |        |        |        | 0000 0000         | 57, 90           |
| TABLAT    | Program Memory Table Latch   |                       |                       |   |   |        |        |        | 0000 0000         | 57, 90           |
| PRODH     | Product Register High Byte   |                       |                       |   |   |        |        |        | xxxx xxxx         | 57, 117          |
| PRODL     | Product Register Low Byte  |                       |                       |   |   |        |        |        | xxxx xxxx         | 57, 117          |
| INTCON    | GIE/GIEH   | PEIE/GIEL             | TMR0IE                | INT0IE  | RBIE  | TMR0IF | INT0IF | RBIF   | 0000 000x         | 57, 121          |
| INTCON2   | RBPU   | INTEDG0               | INTEDG1               | INTEDG2   | INTEDG3                                     | TMR0IP | INT3IP | RBIP   | 1111 1111         | 57, 122          |
| INTCON3   | INT2IP   | INT1IP                | INT3IE                | INT2IE  | INT1IE                                      | INT3IF | INT2IF | INT1IF | 1100 0000         | 57, 123          |
| INDF0     | Uses contents of FSR0 to address data memory – value of FSR0 not changed (not a physical register)                                 |                       |                       |   |   |        |        |        | N/A               | 57, 82           |
| POSTINC0  | Uses contents of FSR0 to address data memory – value of FSR0 post-incremented (not a physical register)                            |                       |                       |   |   |        |        |        | N/A               | 57, 82           |
| POSTDEC0  | Uses contents of FSR0 to address data memory – value of FSR0 post-decremented (not a physical register)                            |                       |                       |   |   |        |        |        | N/A               | 57, 82           |
| PREINC0   | Uses contents of FSR0 to address data memory – value of FSR0 pre-incremented (not a physical register)                             |                       |                       |   |   |        |        |        | N/A               | 57, 82           |
| PLUSW0    | Uses contents of FSR0 to address data memory – value of FSR0 pre-incremented (not a physical register) – value of FSR0 offset by W |                       |                       |   |   |        |        |        | N/A               | 57, 82           |
| FSR0H     | —  | —                     | —                     | —   | Indirect Data Memory Address Pointer 0 High |        |        |        | ---- 0000         | 57, 82           |
| FSR0L     | Indirect Data Memory Address Pointer 0 Low Byte  |                       |                       |   |   |        |        |        | xxxx xxxx         | 57, 82           |
| WREG      | Working Register   |                       |                       |   |   |        |        |        | xxxx xxxx         | 57               |
| INDF1     | Uses contents of FSR1 to address data memory – value of FSR1 not changed (not a physical register)                                 |                       |                       |   |   |        |        |        | N/A               | 57, 82           |
| POSTINC1  | Uses contents of FSR1 to address data memory – value of FSR1 post-incremented (not a physical register)                            |                       |                       |   |   |        |        |        | N/A               | 57, 82           |
| POSTDEC1  | Uses contents of FSR1 to address data memory – value of FSR1 post-decremented (not a physical register)                            |                       |                       |   |   |        |        |        | N/A               | 57, 82           |
| PREINC1   | Uses contents of FSR1 to address data memory – value of FSR1 pre-incremented (not a physical register)                             |                       |                       |   |   |        |        |        | N/A               | 57, 82           |
| PLUSW1    | Uses contents of FSR1 to address data memory – value of FSR1 pre-incremented (not a physical register) – value of FSR1 offset by W |                       |                       |   |   |        |        |        | N/A               | 57, 82           |
| FSR1H     | —  | —                     | —                     | —   | Indirect Data Memory Address Pointer 1 High |        |        |        | ---- 0000         | 58, 82           |
| FSR1L     | Indirect Data Memory Address Pointer 1 Low Byte  |                       |                       |   |   |        |        |        | xxxx xxxx         | 58, 82           |
| BSR       | —  | —                     | —                     | —   | Bank Select Register                        |        |        |        | ---- 0000         | 58, 72           |
| INDF2     | Uses contents of FSR2 to address data memory – value of FSR2 not changed (not a physical register)                                 |                       |                       |   |   |        |        |        | N/A               | 58, 82           |
| POSTINC2  | Uses contents of FSR2 to address data memory – value of FSR2 post-incremented (not a physical register)                            |                       |                       |   |   |        |        |        | N/A               | 58, 82           |
| POSTDEC2  | Uses contents of FSR2 to address data memory – value of FSR2 post-decremented (not a physical register)                            |                       |                       |   |   |        |        |        | N/A               | 58, 82           |
| PREINC2   | Uses contents of FSR2 to address data memory – value of FSR2 pre-incremented (not a physical register)                             |                       |                       |   |   |        |        |        | N/A               | 58, 82           |
| PLUSW2    | Uses contents of FSR2 to address data memory – value of FSR2 pre-incremented (not a physical register) – value of FSR2 offset by W |                       |                       |   |   |        |        |        | N/A               | 58, 82           |
| FSR2H     | —  | —                     | —                     | —   | Indirect Data Memory Address Pointer 2 High |        |        |        | ---- 0000         | 58, 82           |
| FSR2L     | Indirect Data Memory Address Pointer 2 Low Byte  |                       |                       |   |   |        |        |        | xxxx xxxx         | 58, 82           |

**Legend:** x = unknown, u = unchanged, – = unimplemented, q = value depends on condition

**Note 1:** The SBOREN bit is only available when the BOREN<1:0> Configuration bits = 01; otherwise, this bit reads as '0'.

**Note 2:** These registers and/or bits are not implemented on 64-pin devices and are read as '0'. Reset values are shown for 80-pin devices; individual unimplemented bits should be interpreted as '–'.

**Note 3:** The PLEN bit is only available in specific oscillator configuration; otherwise, it is disabled and reads as '0'. See **Section 2.6.4 “PLL in INTOSC Modes”**.

**Note 4:** RA6/RA7 and their associated latch and direction bits are individually configured as port pins based on various primary oscillator modes. When disabled, these bits read as '0'.

**Note 5:** RG5 and LATG5 are only available when Master Clear is disabled (MCLRE Configuration bit = 0); otherwise, RG5 and LATG5 read as '0'.

**Note 6:** Bit 7 and Bit 6 are cleared by user software or by a POR.

**Note 7:** Bit 21 of TBLPTRU allows access to the device Configuration bits.

# PIC18F8722 FAMILY

**TABLE 5-3: REGISTER FILE SUMMARY (CONTINUED)**

| File Name | Bit 7  | Bit 6                 | Bit 5             | Bit 4           | Bit 3           | Bit 2               | Bit 1                 | Bit 0            | Value on POR, BOR | Details on page:   |
|-----------|--|-----------------------|-------------------|-----------------|-----------------|---------------------|-----------------------|------------------|-------------------|--------------------|
| STATUS    | —  | —                     | —                 | N               | OV              | Z                   | DC                    | C                | --x xxxxx         | 58, 80             |
| TMR0H     | Timer0 Register High Byte  |                       |                   |                 |                 |                     |                       |                  | 0000 0000         | 58, 163            |
| TMR0L     | Timer0 Register Low Byte   |                       |                   |                 |                 |                     |                       |                  | xxxx xxxxx        | 58, 163            |
| T0CON     | TMR0ON   | T08BIT                | T0CS              | T0SE            | PSA             | T0PS2               | T0PS1                 | T0PS0            | 1111 1111         | 58, 161            |
| OSCCON    | IDLEN  | IRCF2                 | IRCF1             | IRCF0           | OSTS            | IOFS                | SCS1                  | SCS0             | 0100 q000         | 39, 58             |
| HLVDCON   | VDIRMAG  | —                     | IRVST             | HLVDEN          | HLVDL3          | HLVDL2              | HLVDL1                | HLVDL0           | 0-00 0101         | 58, 291            |
| WDTCON    | —  | —                     | —                 | —               | —               | —                   | —                     | SWDTEN           | --- ---0          | 58, 313            |
| RCON      | IPEN   | SBOREN <sup>(1)</sup> | —                 | $\overline{RI}$ | $\overline{TO}$ | $\overline{PD}$     | $\overline{POR}$      | $\overline{BOR}$ | 0q-1 11q0         | 50, 56,<br>58, 133 |
| TMR1H     | Timer1 Register High Byte  |                       |                   |                 |                 |                     |                       |                  | xxxx xxxxx        | 58, 169            |
| TMR1L     | Timer1 Register Low Byte   |                       |                   |                 |                 |                     |                       |                  | xxxx xxxxx        | 58, 169            |
| T1CON     | RD16   | T1RUN                 | T1CKPS1           | T1CKPS0         | T1OSCEN         | $\overline{T1SYNC}$ | TMR1CS                | TMR1ON           | 0000 0000         | 58, 165            |
| TMR2      | Timer2 Register  |                       |                   |                 |                 |                     |                       |                  | 0000 0000         | 58, 172            |
| PR2       | Timer2 Period Register   |                       |                   |                 |                 |                     |                       |                  | 1111 1111         | 58, 172            |
| T2CON     | —  | T2OUTPS3              | T2OUTPS2          | T2OUTPS1        | T2OUTPS0        | TMR2ON              | T2CKPS1               | T2CKPS0          | -000 0000         | 58, 171            |
| SSP1BUF   | MSSP1 Receive Buffer/Transmit Register   |                       |                   |                 |                 |                     |                       |                  | xxxx xxxxx        | 58, 169,<br>170    |
| SSP1ADD   | MSSP1 Address Register in I <sup>2</sup> C™ Slave mode. MSSP1 Baud Rate Reload Register in I <sup>2</sup> C Master mode. |                       |                   |                 |                 |                     |                       |                  | 0000 0000         | 58, 170            |
| SSP1STAT  | SMP  | CKE                   | D/ $\overline{A}$ | P               | S               | R/ $\overline{W}$   | UA                    | BF               | 0000 0000         | 58, 162,<br>171    |
| SSP1CON1  | WCOL   | SSPOV                 | SSPEN             | CKP             | SSPM3           | SSPM2               | SSPM1                 | SSPM0            | 0000 0000         | 58, 163,<br>172    |
| SSP1CON2  | GCEN   | ACKSTAT               | ACKDT             | ACKEN           | RCEN            | PEN                 | RSEN                  | SEN              | 0000 0000         | 58, 173            |
| ADRESH    | A/D Result Register High Byte  |                       |                   |                 |                 |                     |                       |                  | xxxx xxxxx        | 59, 280            |
| ADRESL    | A/D Result Register Low Byte   |                       |                   |                 |                 |                     |                       |                  | xxxx xxxxx        | 59, 280            |
| ADCON0    | —  | —                     | CHS3              | CHS2            | CHS1            | CHS0                | GO/ $\overline{DONE}$ | ADON             | --00 0000         | 59, 271            |
| ADCON1    | —  | —                     | VCFG1             | VCFG0           | PCFG3           | PCFG2               | PCFG1                 | PCFG0            | --00 0000         | 59, 272            |
| ADCON2    | ADFM   | —                     | ACQT2             | ACQT1           | ACQT0           | ADCS2               | ADCS1                 | ADCS0            | 0-00 0000         | 59, 273            |
| CCPR1H    | Enhanced Capture/Compare/PWM Register 1 High Byte  |                       |                   |                 |                 |                     |                       |                  | xxxx xxxxx        | 59, 180            |
| CCPR1L    | Enhanced Capture/Compare/PWM Register 1 Low Byte   |                       |                   |                 |                 |                     |                       |                  | xxxx xxxxx        | 59, 180            |
| CCP1CON   | P1M1   | P1M0                  | DC1B1             | DC1B0           | CCP1M3          | CCP1M2              | CCP1M1                | CCP1M0           | 0000 0000         | 59, 187            |
| CCPR2H    | Enhanced Capture/Compare/PWM Register 2 High Byte  |                       |                   |                 |                 |                     |                       |                  | xxxx xxxxx        | 59, 180            |
| CCPR2L    | Enhanced Capture/Compare/PWM Register 2 Low Byte   |                       |                   |                 |                 |                     |                       |                  | xxxx xxxxx        | 59, 180            |
| CCP2CON   | P2M1   | P2M0                  | DC2B1             | DC2B0           | CCP2M3          | CCP2M2              | CCP2M1                | CCP2M0           | 0000 0000         | 59, 179            |
| CCPR3H    | Enhanced Capture/Compare/PWM Register 3 High Byte  |                       |                   |                 |                 |                     |                       |                  | xxxx xxxxx        | 59, 180            |
| CCPR3L    | Enhanced Capture/Compare/PWM Register 3 Low Byte   |                       |                   |                 |                 |                     |                       |                  | xxxx xxxxx        | 59, 180            |
| CCP3CON   | P3M1   | P3M0                  | DC3B1             | DC3B0           | CCP3M3          | CCP3M2              | CCP3M1                | CCP3M0           | 0000 0000         | 59, 179            |
| ECCP1AS   | ECCP1ASE   | ECCP1AS2              | ECCP1AS1          | ECCP1AS0        | PSS1AC1         | PSS1AC0             | PSS1BD1               | PSS1BD0          | 0000 0000         | 59, 201            |
| CVRCON    | CVREN  | CVROE                 | CVRR              | CVRSS           | CVR3            | CVR2                | CVR1                  | CVR0             | 0000 0000         | 59, 287            |
| CMCON     | C2OUT  | C1OUT                 | C2INV             | C1INV           | CIS             | CM2                 | CM1                   | CM0              | 0000 0111         | 59, 289            |
| TMR3H     | Timer3 Register High Byte  |                       |                   |                 |                 |                     |                       |                  | xxxx xxxxx        | 59, 175            |
| TMR3L     | Timer3 Register Low Byte   |                       |                   |                 |                 |                     |                       |                  | xxxx xxxxx        | 59, 175            |
| T3CON     | RD16   | T3CCP2                | T3CKPS1           | T3CKPS0         | T3CCP1          | $\overline{T3SYNC}$ | TMR3CS                | TMR3ON           | 0000 0000         | 59, 173            |

**Legend:** x = unknown, u = unchanged, - = unimplemented, q = value depends on condition

**Note 1:** The SBOREN bit is only available when the BOREN<1:0> Configuration bits = 01; otherwise, this bit reads as '0'.

**Note 2:** These registers and/or bits are not implemented on 64-pin devices and are read as '0'. Reset values are shown for 80-pin devices; individual unimplemented bits should be interpreted as '-'.

**Note 3:** The PLEN bit is only available in specific oscillator configuration; otherwise, it is disabled and reads as '0'. See **Section 2.6.4 "PLL in INTOSC Modes"**.

**Note 4:** RA6/RA7 and their associated latch and direction bits are individually configured as port pins based on various primary oscillator modes. When disabled, these bits read as '0'.

**Note 5:** RG5 and LATG5 are only available when Master Clear is disabled (MCLRE Configuration bit = 0); otherwise, RG5 and LATG5 read as '0'.

**Note 6:** Bit 7 and Bit 6 are cleared by user software or by a POR.

**Note 7:** Bit 21 of TBLPTRU allows access to the device Configuration bits.

# PIC18F8722 FAMILY

**TABLE 5-3: REGISTER FILE SUMMARY (CONTINUED)**

| File Name             | Bit 7   | Bit 6                 | Bit 5                | Bit 4   | Bit 3  | Bit 2  | Bit 1                             | Bit 0  | Value on POR, BOR | Details on page: |
|-----------------------|---|-----------------------|----------------------|---------|--------|--------|-----------------------------------|--------|-------------------|------------------|
| PSPCON                | IBF   | OBF                   | IBOV                 | PSPMODE | —      | —      | —                                 | —      | 0000 ----         | 59, 252          |
| SPBRG1                | EUSART1 Baud Rate Generator Register Low Byte       |                       |                      |         |        |        |                                   |        | 0000 0000         | 59, 252          |
| RCREG1                | EUSART1 Receive Register                            |                       |                      |         |        |        |                                   |        | 0000 0000         | 59, 260          |
| TXREG1                | EUSART1 Transmit Register                           |                       |                      |         |        |        |                                   |        | 0000 0000         | 59, 257          |
| TXSTA1                | CSRC  | TX9                   | TXEN                 | SYNC    | SENDB  | BRGH   | TRMT                              | TX9D   | 0000 0010         | 59, 248          |
| RCSTA1                | SPEN  | RX9                   | SREN                 | CREN    | ADDEN  | FERR   | OERR                              | RX9D   | 0000 000x         | 59, 249          |
| EEADRH                | —   | —                     | —                    | —       | —      | —      | EEPROM Address Register High Byte |        | ---- --00         | 59, 111          |
| EEADR                 | EEPROM Address Register Low Byte                    |                       |                      |         |        |        |                                   |        | 0000 0000         | 59, 111          |
| EEDATA                | EEPROM Data Register                                |                       |                      |         |        |        |                                   |        | 0000 0000         | 59, 111          |
| EECON2                | EEPROM Control Register 2 (not a physical register) |                       |                      |         |        |        |                                   |        | 0000 0000         | 59, 88           |
| EECON1                | EEPGD   | CFGFS                 | —                    | FREE    | WRERR  | WREN   | WR                                | RD     | xx-0 x000         | 59, 89           |
| IPR3                  | SSP2IP  | BCL2IP                | RC2IP                | TX2IP   | TMR4IP | CCP5IP | CCP4IP                            | CCP3IP | 1111 1111         | 60, 131          |
| PIR3                  | SSP2IF  | BCL2IF                | RC2IF                | TX2IF   | TMR4IF | CCP5IF | CCP4IF                            | CCP3IF | 0000 0000         | 60, 125          |
| PIE3                  | SSP2IE  | BCL2IE                | RC2IE                | TX2IE   | TMR4IE | CCP5IE | CCP4IE                            | CCP3IE | 0000 0000         | 60, 129          |
| IPR2                  | OSCFIP  | CMIP                  | —                    | EEIP    | BCL1IP | HLVDIP | TMR3IP                            | CCP2IP | 11-1 1111         | 60, 131          |
| PIR2                  | OSCFIF  | CMIF                  | —                    | EEIF    | BCL1IF | HLVDIF | TMR3IF                            | CCP2IF | 00-0 0000         | 60, 125          |
| PIE2                  | OSCFIE  | CMIE                  | —                    | EEIE    | BCL1IE | HLVDIE | TMR3IE                            | CCP2IE | 00-0 0000         | 60, 128          |
| IPR1                  | PSP1IP  | ADIP                  | RC1IP                | TX1IP   | SSP1IP | CCP1IP | TMR2IP                            | TMR1IP | 1111 1111         | 60, 130          |
| PIR1                  | PSP1IF  | ADIF                  | RC1IF                | TX1IF   | SSP1IF | CCP1IF | TMR2IF                            | TMR1IF | 0000 0000         | 60, 124          |
| PIE1                  | PSP1IE  | ADIE                  | RC1IE                | TX1IE   | SSP1IE | CCP1IE | TMR2IE                            | TMR1IE | 0000 0000         | 60, 127          |
| MEMCON <sup>(2)</sup> | EBDIS   | —                     | WAIT1                | WAIT0   | —      | —      | WM1                               | WM0    | 0-00 --00         | 60, 96           |
| OSCTUNE               | INTSRC  | PLLEN <sup>(3)</sup>  | —                    | TUN4    | TUN3   | TUN2   | TUN1                              | TUN0   | 00-0 0000         | 35, 60           |
| TRISJ <sup>(2)</sup>  | TRISJ7  | TRISJ6                | TRISJ5               | TRISJ4  | TRISJ3 | TRISJ2 | TRISJ1                            | TRISJ0 | 1111 1111         | 60, 157          |
| TRISH <sup>(2)</sup>  | TRISH7  | TRISH6                | TRISH5               | TRISH4  | TRISH3 | TRISH2 | TRISH1                            | TRISH0 | 1111 1111         | 60, 155          |
| TRISG                 | —   | —                     | —                    | TRISG4  | TRISG3 | TRISG2 | TRISG1                            | TRISG0 | --1 1111          | 60, 153          |
| TRISF                 | TRISF7  | TRISF6                | TRISF5               | TRISF4  | TRISF3 | TRISF2 | TRISF1                            | TRISF0 | 1111 1111         | 60, 150          |
| TRISE                 | TRISE7  | TRISE6                | TRISE5               | TRISE4  | TRISE3 | TRISE2 | TRISE1                            | TRISE0 | 1111 1111         | 60, 148          |
| TRISD                 | TRISD7  | TRISD6                | TRISD5               | TRISD4  | TRISD3 | TRISD2 | TRISD1                            | TRISD0 | 1111 1111         | 60, 143          |
| TRISC                 | TRISC7  | TRISC6                | TRISC5               | TRISC4  | TRISC3 | TRISC2 | TRISC1                            | TRISC0 | 1111 1111         | 60, 140          |
| TRISB                 | TRISB7  | TRISB6                | TRISB5               | TRISB4  | TRISB3 | TRISB2 | TRISB1                            | TRISB0 | 1111 1111         | 60, 137          |
| TRISA                 | TRISA7 <sup>(4)</sup>                               | TRISA6 <sup>(4)</sup> | TRISA5               | TRISA4  | TRISA3 | TRISA2 | TRISA1                            | TRISA0 | 1111 1111         | 60, 135          |
| LATJ <sup>(2)</sup>   | LATJ7   | LATJ6                 | LATJ5                | LATJ4   | LATJ3  | LATJ2  | LATJ1                             | LATJ0  | xxxx xxxx         | 60, 156          |
| LATH <sup>(2)</sup>   | LATH7   | LATH6                 | LATH5                | LATH4   | LATH3  | LATH2  | LATH1                             | LATH0  | xxxx xxxx         | 60, 154          |
| LATG                  | —   | —                     | LATG5 <sup>(5)</sup> | LATG4   | LATG3  | LATG2  | LATG1                             | LATG0  | --xx xxxx         | 60, 151          |
| LATF                  | LATF7   | LATF6                 | LATF5                | LATF4   | LATF3  | LATF2  | LATF1                             | LATF0  | xxxx xxxx         | 60, 149          |
| LATE                  | LATE7   | LATE6                 | LATE5                | LATE4   | LATE3  | LATE2  | LATE1                             | LATE0  | xxxx xxxx         | 60, 146          |
| LATD                  | LATD7   | LATD6                 | LATD5                | LATD4   | LATD3  | LATD2  | LATD1                             | LATD0  | xxxx xxxx         | 60, 143          |
| LATC                  | LATC7   | LATC6                 | LATC5                | LATC4   | LATC3  | LATC2  | LATC1                             | LATC0  | xxxx xxxx         | 60, 140          |
| LATB                  | LATB7   | LATB6                 | LATB5                | LATB4   | LATB3  | LATB2  | LATB1                             | LATB0  | xxxx xxxx         | 60, 137          |
| LATA                  | LATA7 <sup>(4)</sup>                                | LATA6 <sup>(4)</sup>  | LATA5                | LATA4   | LATA3  | LATA2  | LATA1                             | LATA0  | xxxx xxxx         | 60, 135          |

**Legend:** x = unknown, u = unchanged, - = unimplemented, q = value depends on condition

- Note**
- The SBOREN bit is only available when the BOREN<1:0> Configuration bits = 01; otherwise, this bit reads as '0'.
  - These registers and/or bits are not implemented on 64-pin devices and are read as '0'. Reset values are shown for 80-pin devices; individual unimplemented bits should be interpreted as '-'.  
3: The PLLEN bit is only available in specific oscillator configuration; otherwise, it is disabled and reads as '0'. See **Section 2.6.4 "PLL in INTOSC Modes"**.
  - RA6/RA7 and their associated latch and direction bits are individually configured as port pins based on various primary oscillator modes. When disabled, these bits read as '0'.
  - RG5 and LATG5 are only available when Master Clear is disabled (MCLRE Configuration bit = 0); otherwise, RG5 and LATG5 read as '0'.
  - Bit 7 and Bit 6 are cleared by user software or by a POR.
  - Bit 21 of TBLPTRU allows access to the device Configuration bits.



# PIC18F8722 FAMILY

**TABLE 5-3: REGISTER FILE SUMMARY (CONTINUED)**

| File Name            | Bit 7  | Bit 6              | Bit 5              | Bit 4    | Bit 3    | Bit 2   | Bit 1   | Bit 0   | Value on POR, BOR | Details on page: |
|----------------------|--|--------------------|--------------------|----------|----------|---------|---------|---------|-------------------|------------------|
| PORTJ <sup>(2)</sup> | RJ7  | RJ6                | RJ5                | RJ4      | RJ3      | RJ2     | RJ1     | RJ0     | xxxx xxxx         | 60, 156          |
| PORTH <sup>(2)</sup> | RH7  | RH6                | RH5                | RH4      | RH3      | RH2     | RH1     | RH0     | 0000 xxxx         | 60, 154          |
| PORTG                | —  | —                  | RG5 <sup>(5)</sup> | RG4      | RG3      | RG2     | RG1     | RG0     | --xx xxxxx        | 60, 151          |
| PORTF                | RF7  | RF6                | RF5                | RF4      | RF3      | RF2     | RF1     | RF0     | x000 0000         | 60, 149          |
| PORTE                | RE7  | RE6                | RE5                | RE4      | RE3      | RE2     | RE1     | RE0     | xxxx xxxxx        | 60, 146          |
| PORTD                | RD7  | RD6                | RD5                | RD4      | RD3      | RD2     | RD1     | RD0     | xxxx xxxxx        | 60, 143          |
| PORTC                | RC7  | RC6                | RC5                | RC4      | RC3      | RC2     | RC1     | RC0     | xxxx xxxxx        | 60, 140          |
| PORTB                | RB7  | RB6                | RB5                | RB4      | RB3      | RB2     | RB1     | RB0     | xxxx xxxxx        | 60, 137          |
| PORTA                | RA7 <sup>(4)</sup>   | RA6 <sup>(4)</sup> | RA5                | RA4      | RA3      | RA2     | RA1     | RA0     | xx0x 0000         | 61, 135          |
| SPBRGH1              | EUSART1 Baud Rate Generator Register High Byte   |                    |                    |          |          |         |         |         | 0000 0000         | 61, 252          |
| BAUDCON1             | ABDOVF   | RCIDL              | —                  | SCKP     | BRG16    | —       | WUE     | ABDEN   | 01-0 0-00         | 61, 250          |
| SPBRGH2              | EUSART2 Baud Rate Generator Register High Byte   |                    |                    |          |          |         |         |         | 0000 0000         | 61, 252          |
| BAUDCON2             | ABDOVF   | RCIDL              | —                  | SCKP     | BRG16    | —       | WUE     | ABDEN   | 01-0 0-00         | 61, 250          |
| ECCP1DEL             | P1RSEN   | P1DC6              | P1DC5              | P1DC4    | P1DC3    | P1DC2   | P1DC1   | P1DC0   | 0000 0000         | 61, 200          |
| TMR4                 | Timer4 Register  |                    |                    |          |          |         |         |         | 0000 0000         | 61, 178          |
| PR4                  | Timer4 Period Register   |                    |                    |          |          |         |         |         | 1111 1111         | 61, 178          |
| T4CON                | —  | T4OUTPS3           | T4OUTPS2           | T4OUTPS1 | T4OUTPS0 | TMR4ON  | T4CKPS1 | T4CKPS0 | -000 0000         | 61, 178          |
| CCPR4H               | Capture/Compare/PWM Register 4 High Byte   |                    |                    |          |          |         |         |         | xxxx xxxxx        | 61, 180          |
| CCPR4L               | Capture/Compare/PWM Register 4 Low Byte  |                    |                    |          |          |         |         |         | xxxx xxxxx        | 61, 180          |
| CCP4CON              | —  | —                  | DC4B1              | DC4B0    | CCP4M3   | CCP4M2  | CCP4M1  | CCP4M0  | --00 0000         | 61, 179          |
| CCPR5H               | Capture/Compare/PWM Register 5 High Byte   |                    |                    |          |          |         |         |         | xxxx xxxxx        | 61, 180          |
| CCPR5L               | Capture/Compare/PWM Register 5 Low Byte  |                    |                    |          |          |         |         |         | xxxx xxxxx        | 61, 180          |
| CCP5CON              | —  | —                  | DC5B1              | DC5B0    | CCP5M3   | CCP5M2  | CCP5M1  | CCP5M0  | --00 0000         | 61, 179          |
| SPBRG2               | EUSART2 Baud Rate Generator Register Low Byte  |                    |                    |          |          |         |         |         | 0000 0000         | 61, 252          |
| RCREG2               | EUSART2 Receive Register   |                    |                    |          |          |         |         |         | 0000 0000         | 61, 260          |
| TXREG2               | EUSART2 Transmit Register  |                    |                    |          |          |         |         |         | 0000 0000         | 61, 257          |
| TXSTA2               | CSRC   | TX9                | TXEN               | SYNC     | SENDB    | BRGH    | TRMT    | TX9D    | 0000 0010         | 61, 248          |
| RCSTA2               | SPEN   | RX9                | SREN               | CREN     | ADDEN    | FERR    | OERR    | RX9D    | 0000 000x         | 61, 249          |
| ECCP3AS              | ECCP3ASE   | ECCP3AS2           | ECCP3AS1           | ECCP3AS0 | PSS3AC1  | PSS3AC0 | PSS3BD1 | PSS3BD0 | 0000 0000         | 61, 201          |
| ECCP3DEL             | P3RSEN   | P3DC6              | P3DC5              | P3DC4    | P3DC3    | P3DC2   | P3DC1   | P3DC0   | 0000 0000         | 61, 200          |
| ECCP2AS              | ECCP2ASE   | ECCP2AS2           | ECCP2AS1           | ECCP2AS0 | PSS2AC1  | PSS2AC0 | PSS2BD1 | PSS2BD0 | 0000 0000         | 61, 201          |
| ECCP2DEL             | P2RSEN   | P2DC6              | P2DC5              | P2DC4    | P2DC3    | P2DC2   | P2DC1   | P2DC0   | 0000 0000         | 61, 200          |
| SSP2BUF              | MSSP2 Receive Buffer/Transmit Register   |                    |                    |          |          |         |         |         | xxxx xxxxx        | 61, 170          |
| SSP2ADD              | MSSP2 Address Register in I <sup>2</sup> C™ Slave mode. MSSP2 Baud Rate Reload Register in I <sup>2</sup> C Master mode. |                    |                    |          |          |         |         |         | 0000 0000         | 61, 170          |
| SSP2STAT             | SMP  | CKE                | D/A                | P        | S        | R/W     | UA      | BF      | 0000 0000         | 61, 216          |
| SSP2CON1             | WCOL   | SSPOV              | SSPEN              | CKP      | SSPM3    | SSPM2   | SSPM1   | SSPM0   | 0000 0000         | 61, 217          |
| SSP2CON2             | GCEN   | ACKSTAT            | ACKDT              | ACKEN    | RCEN     | PEN     | RSEN    | SEN     | 0000 0000         | 61, 218          |

**Legend:** x = unknown, u = unchanged, - = unimplemented, q = value depends on condition

- Note**
- 1: The SBOREN bit is only available when the BOREN<1:0> Configuration bits = 01; otherwise, this bit reads as '0'.
  - 2: These registers and/or bits are not implemented on 64-pin devices and are read as '0'. Reset values are shown for 80-pin devices; individual unimplemented bits should be interpreted as '-'.  
3: The PLEN bit is only available in specific oscillator configuration; otherwise, it is disabled and reads as '0'. See **Section 2.6.4 "PLL in INTOSC Modes"**.
  - 4: RA6/RA7 and their associated latch and direction bits are individually configured as port pins based on various primary oscillator modes. When disabled, these bits read as '0'.
  - 5: RG5 and LATG5 are only available when Master Clear is disabled (MCLRE Configuration bit = 0); otherwise, RG5 and LATG5 read as '0'.
  - 6: Bit 7 and Bit 6 are cleared by user software or by a POR.
  - 7: Bit 21 of TBLPTRU allows access to the device Configuration bits.

# PIC18F8722 FAMILY

## 5.3.5 STATUS REGISTER

The STATUS register, shown in Register 5-2, contains the arithmetic status of the ALU. As with any other SFR, it can be the operand for any instruction.

If the STATUS register is the destination for an instruction that affects the Z, DC, C, OV or N bits, the results of the instruction are not written; instead, the STATUS register is updated according to the instruction performed. Therefore, the result of an instruction with the STATUS register as its destination may be different than intended. As an example, `CLRF STATUS` will set the Z bit and leave the remaining Status bits unchanged ('000u u1uu').

It is recommended that only `BCF`, `BSF`, `SWAPF`, `MOVFF` and `MOVWF` instructions are used to alter the STATUS register, because these instructions do not affect the Z, C, DC, OV or N bits in the STATUS register.

For other instructions that do not affect Status bits, see the instruction set summaries in Table 26-2 and Table 26-3.

**Note:** The C and DC bits operate as the borrow and digit borrow bits, respectively, in subtraction.

### REGISTER 5-2: STATUS: ARITHMETIC STATUS REGISTER

|       |     |     |       |       |       |                   |                  |
|-------|-----|-----|-------|-------|-------|-------------------|------------------|
| U-0   | U-0 | U-0 | R/W-x | R/W-x | R/W-x | R/W-x             | R/W-x            |
| —     | —   | —   | N     | OV    | Z     | DC <sup>(1)</sup> | C <sup>(2)</sup> |
| bit 7 |     |     |       |       |       |                   | bit 0            |

**Legend:**

|                   |                  |                                    |
|-------------------|------------------|------------------------------------|
| R = Readable bit  | W = Writable bit | U = Unimplemented bit, read as '0' |
| -n = Value at POR | '1' = Bit is set | '0' = Bit is cleared               |
|                   |                  | x = Bit is unknown                 |

bit 7-5      **Unimplemented:** Read as '0'

bit 4      **N:** Negative bit

This bit is used for signed arithmetic (2's complement). It indicates whether the result was negative (ALU MSB = 1).  
 1 = Result was negative  
 0 = Result was positive

bit 3      **OV:** Overflow bit

This bit is used for signed arithmetic (2's complement). It indicates an overflow of the 7-bit magnitude which causes the sign bit (bit 7 of the result) to change state.  
 1 = Overflow occurred for signed arithmetic (in this arithmetic operation)  
 0 = No overflow occurred

bit 2      **Z:** Zero bit

1 = The result of an arithmetic or logic operation is zero  
 0 = The result of an arithmetic or logic operation is not zero

bit 1      **DC:** Digit Carry/borrow bit<sup>(1)</sup>

For `ADDWF`, `ADDLW`, `SUBLW` and `SUBWF` instructions:  
 1 = A carry-out from the 4th low-order bit of the result occurred  
 0 = No carry-out from the 4th low-order bit of the result

bit 0      **C:** Carry/borrow bit<sup>(2)</sup>

For `ADDWF`, `ADDLW`, `SUBLW` and `SUBWF` instructions:  
 1 = A carry-out from the Most Significant bit of the result occurred  
 0 = No carry-out from the Most Significant bit of the result occurred

- Note 1:** For borrow, the polarity is reversed. A subtraction is executed by adding the 2's complement of the second operand. For rotate (`RRF`, `RLF`) instructions, this bit is loaded with either bit 4 or bit 3 of the source register.
- Note 2:** For borrow, the polarity is reversed. A subtraction is executed by adding the 2's complement of the second operand. For rotate (`RRF`, `RLF`) instructions, this bit is loaded with either the high or low-order bit of the source register.

## 5.4 Data Addressing Modes

**Note:** The execution of some instructions in the core PIC18 instruction set are changed when the PIC18 extended instruction set is enabled. See **Section 5.5 “Data Memory and the Extended Instruction Set”** for more information.

The data memory space can be addressed in several ways. For most instructions, the addressing mode is fixed. Other instructions may use up to three modes, depending on which operands are used and whether or not the extended instruction set is enabled.

The addressing modes are:

- Inherent
- Literal
- Direct
- Indirect

An additional addressing mode, Indexed Literal Offset, is available when the extended instruction set is enabled (XINST Configuration bit = 1). Its operation is discussed in greater detail in **Section 5.5.1 “Indexed Addressing with Literal Offset”**.

### 5.4.1 INHERENT AND LITERAL ADDRESSING

Many PIC18 control instructions do not need any argument at all; they either perform an operation that globally affects the device or they operate implicitly on one register. This addressing mode is known as Inherent Addressing. Examples include `SLEEP`, `RESET` and `DAW`.

Other instructions work in a similar way but require an additional explicit argument in the opcode. This is known as Literal Addressing mode because they require some literal value as an argument. Examples include `ADDLW` and `MOVLW`, which respectively, add or move a literal value to the W register. Other examples include `CALL` and `GOTO`, which include a 20-bit program memory address.

### 5.4.2 DIRECT ADDRESSING

Direct Addressing specifies all or part of the source and/or destination address of the operation within the opcode itself. The options are specified by the arguments accompanying the instruction.

In the core PIC18 instruction set, bit-oriented and byte-oriented instructions use some version of Direct Addressing by default. All of these instructions include some 8-bit literal address as their Least Significant Byte. This address specifies either a register address in one of the banks of data RAM (**Section 5.3.3 “General Purpose Register File”**) or a location in the Access Bank (**Section 5.3.2 “Access Bank”**) as the data source for the instruction.

The Access RAM bit ‘a’ determines how the address is interpreted. When ‘a’ is ‘1’, the contents of the BSR (**Section 5.3.1 “Bank Select Register (BSR)”**) are used with the address to determine the complete 12-bit address of the register. When ‘a’ is ‘0’, the address is interpreted as being a register in the Access Bank. Addressing that uses the Access RAM is sometimes also known as Direct Forced Addressing mode.

A few instructions, such as `MOVFF`, include the entire 12-bit address (either source or destination) in their opcodes. In these cases, the BSR is ignored entirely.

The destination of the operation’s results is determined by the destination bit ‘d’. When ‘d’ is ‘1’, the results are stored back in the source register, overwriting its original contents. When ‘d’ is ‘0’, the results are stored in the W register. Instructions without the ‘d’ argument have a destination that is implicit in the instruction; their destination is either the target register being operated on or the W register.

### 5.4.3 INDIRECT ADDRESSING

Indirect Addressing allows the user to access a location in data memory without giving a fixed address in the instruction. This is done by using File Select Registers (FSRs) as pointers to the locations to be read or written to. Since the FSRs are themselves located in RAM as Special File Registers, they can also be directly manipulated under program control. This makes FSRs very useful in implementing data structures, such as tables and arrays in data memory.

The registers for Indirect Addressing are also implemented with Indirect File Operands (INDFs) that permit automatic manipulation of the pointer value with auto-incrementing, auto-decrementing or offsetting with another value. This allows for efficient code, using loops, such as the example of clearing an entire RAM bank in Example 5-5.

#### EXAMPLE 5-5: HOW TO CLEAR RAM (BANK 1) USING INDIRECT ADDRESSING

```

NEXT    LFSR    FSR0, 100h ;
        CLRF   POSTINC0 ; Clear INDF
        ; register then
        ; inc pointer
        BTFSS  FSR0H, 1  ; All done with
        ; Bank1?
        BRA    NEXT      ; NO, clear next
CONTINUE ; YES, continue
    
```

# PIC18F8722 FAMILY

## 5.4.3.1 FSR Registers and the INDF Operand

At the core of Indirect Addressing are three sets of registers: FSR0, FSR1 and FSR2. Each represents a pair of 8-bit registers, FSRnH and FSRnL. The four upper bits of the FSRnH register are not used so each FSR pair holds a 12-bit value. This represents a value that can address the entire range of the data memory in a linear fashion. The FSR register pairs, then, serve as pointers to data memory locations.

Indirect Addressing is accomplished with a set of Indirect File Operands, INDF0 through INDF2. These can be thought of as “virtual” registers: they are mapped in the SFR space but are not physically implemented. Reading or writing to a particular INDF register actually accesses its corresponding FSR register pair. A read from INDF1, for example, reads the data at the address indicated by FSR1H:FSR1L. Instructions that use the INDF registers as operands actually use the contents of their corresponding FSR as a pointer to the instruction’s target. The INDF operand is just a convenient way of using the pointer.

Because Indirect Addressing uses a full 12-bit address, data RAM banking is not necessary. Thus, the current contents of the BSR and the Access RAM bit have no effect on determining the target address.

## 5.4.3.2 FSR Registers and POSTINC, POSTDEC, PREINC and PLUSW

In addition to the INDF operand, each FSR register pair also has four additional indirect operands. Like INDF, these are “virtual” registers that cannot be indirectly read or written to. Accessing these registers actually accesses the associated FSR register pair, but also performs a specific action on its stored value. They are:

- POSTDEC: accesses the FSR value, then automatically decrements it by 1 afterwards
- POSTINC: accesses the FSR value, then automatically increments it by 1 afterwards
- PREINC: increments the FSR value by 1, then uses it in the operation
- PLUSW: adds the signed value of the W register (range of -127 to 128) to that of the FSR and uses the new value in the operation.

In this context, accessing an INDF register uses the value in the FSR registers without changing them. Similarly, accessing a PLUSW register gives the FSR value offset by the value in the W register; neither value is actually changed in the operation. Accessing the other virtual registers changes the value of the FSR registers.

Operations on the FSRs with POSTDEC, POSTINC and PREINC affect the entire register pair; that is, roll-overs of the FSRnL register from FFh to 00h carry over to the FSRnH register. On the other hand, results of these operations do not change the value of any flags in the STATUS register (e.g., Z, N, OV, etc.).

**FIGURE 5-8: INDIRECT ADDRESSING**



The PLUSW register can be used to implement a form of Indexed Addressing in the data memory space. By manipulating the value in the W register, users can reach addresses that are fixed offsets from pointer addresses. In some applications, this can be used to implement some powerful program control structure, such as software stacks, inside of data memory.

### 5.4.3.3 Operations by FSRs on FSRs

Indirect Addressing operations that target other FSRs or virtual registers represent special cases. For example, using an FSR to point to one of the virtual registers will not result in successful operations. As a specific case, assume that FSR0H:FSR0L contains FE7h, the address of INDF1. Attempts to read the value of the INDF1 using INDF0 as an operand will return 00h. Attempts to write to INDF1 using INDF0 as the operand will result in a NOP.

On the other hand, using the virtual registers to write to an FSR pair may not occur as planned. In these cases, the value will be written to the FSR pair but without any incrementing or decrementing. Thus, writing to INDF2 or POSTDEC2 will write the same value to the FSR2H:FSR2L.

Since the FSRs are physical registers mapped in the SFR space, they can be manipulated through all direct operations. Users should proceed cautiously when working on these registers, particularly if their code uses Indirect Addressing.

Similarly, operations by Indirect Addressing are generally permitted on all other SFRs. Users should exercise the appropriate caution that they do not inadvertently change settings that might affect the operation of the device.

## 5.5 Data Memory and the Extended Instruction Set

Enabling the PIC18 extended instruction set (XINST Configuration bit = 1) significantly changes certain aspects of data memory and its addressing. Specifically, the use of the Access Bank for many of the core PIC18 instructions is different; this is due to the introduction of a new addressing mode for the data memory space.

What does not change is just as important. The size of the data memory space is unchanged, as well as its linear addressing. The SFR map remains the same. Core PIC18 instructions can still operate in both Direct and Indirect Addressing mode; inherent and literal instructions do not change at all. Indirect Addressing with FSR0 and FSR1 also remain unchanged.

### 5.5.1 INDEXED ADDRESSING WITH LITERAL OFFSET

Enabling the PIC18 extended instruction set changes the behavior of Indirect Addressing using the FSR2 register pair within Access RAM. Under the proper conditions, instructions that use the Access Bank – that is, most bit-oriented and byte-oriented instructions – can invoke a form of Indexed Addressing using an offset specified in the instruction. This special addressing mode is known as Indexed Addressing with Literal Offset, or Indexed Literal Offset mode.

When using the extended instruction set, this addressing mode requires the following:

- The use of the Access Bank is forced ('a' = 0) and
- The file address argument is less than or equal to 5Fh.

Under these conditions, the file address of the instruction is not interpreted as the lower byte of an address (used with the BSR in Direct Addressing), or as an 8-bit address in the Access Bank. Instead, the value is interpreted as an offset value to an address pointer, specified by FSR2. The offset and the contents of FSR2 are added to obtain the target address of the operation.

### 5.5.2 INSTRUCTIONS AFFECTED BY INDEXED LITERAL OFFSET MODE

Any of the core PIC18 instructions that can use Direct Addressing are potentially affected by the Indexed Literal Offset Addressing mode. This includes all byte-oriented and bit-oriented instructions, or almost one-half of the standard PIC18 instruction set. Instructions that only use Inherent or Literal Addressing modes are unaffected.

Additionally, byte-oriented and bit-oriented instructions are not affected if they do not use the Access Bank (Access RAM bit is '1'), or include a file address of 60h or above. Instructions meeting these criteria will continue to execute as before. A comparison of the different possible addressing modes when the extended instruction set is enabled is shown in Figure 5-9.

Those who desire to use byte-oriented or bit-oriented instructions in the Indexed Literal Offset mode should note the changes to assembler syntax for this mode. This is described in more detail in **Section 26.2.1 “Extended Instruction Syntax”**.

# PIC18F8722 FAMILY

**FIGURE 5-9: COMPARING ADDRESSING OPTIONS FOR BIT-ORIENTED AND BYTE-ORIENTED INSTRUCTIONS (EXTENDED INSTRUCTION SET ENABLED)**

**EXAMPLE INSTRUCTION:** `ADDWF, f, d, a` (Opcode: `0010 01da ffff ffff`)

**When 'a' = 0 and f ≥ 60h:**

The instruction executes in Direct Forced mode. 'f' is interpreted as a location in the Access RAM between 060h and 0FFh. This is the same as locations 060h to 07Fh (Bank 0) and F80h to FFFh (Bank 15) of data memory.

Locations below 60h are not available in this addressing mode.



**When 'a' = 0 and f ≤ 5Fh:**

The instruction executes in Indexed Literal Offset mode. 'f' is interpreted as an offset to the address value in FSR2. The two are added together to obtain the address of the target register for the instruction. The address can be anywhere in the data memory space.

Note that in this mode, the correct syntax is now:

```
ADDWF [k], d
```

where 'k' is the same as 'f'.



**When 'a' = 1 (all values of f):**

The instruction executes in Direct mode (also known as Direct Long mode). 'f' is interpreted as a location in one of the 16 banks of the data memory space. The bank is designated by the Bank Select Register (BSR). The address can be in any implemented bank in the data memory space.



## 5.5.3 MAPPING THE ACCESS BANK IN INDEXED LITERAL OFFSET MODE

The use of Indexed Literal Offset Addressing mode effectively changes how the first 96 locations of Access RAM (00h to 5Fh) are mapped. Rather than containing just the contents of the bottom half of Bank 0, this mode maps the contents from Bank 0 and a user defined “window” that can be located anywhere in the data memory space. The value of FSR2 establishes the lower boundary of the addresses mapped into the window, while the upper boundary is defined by FSR2 plus 95 (5Fh). Addresses in the Access RAM above 5Fh are mapped as previously described (see **Section 5.3.2 “Access Bank”**). An example of Access Bank remapping in this addressing mode is shown in Figure 5-10.

Remapping of the Access Bank applies *only* to operations using the Indexed Literal Offset mode. Operations that use the BSR (Access RAM bit is ‘1’) will continue to use Direct Addressing as before.

## 5.6 PIC18 Instruction Execution and the Extended Instruction Set

Enabling the extended instruction set adds eight additional commands to the existing PIC18 instruction set. These instructions are executed as described in **Section 26.2 “Extended Instruction Set”**.

**FIGURE 5-10: REMAPPING THE ACCESS BANK WITH INDEXED LITERAL OFFSET ADDRESSING**



# PIC18F8722 FAMILY

---

NOTES:



## 6.0 FLASH PROGRAM MEMORY

The Flash program memory is readable, writable and erasable during normal operation over the entire VDD range.

A read from program memory is executed on one byte at a time. A write to program memory is executed on blocks of 64 bytes at a time. Program memory is erased in blocks of 64 bytes at a time. A bulk erase operation may not be issued from user code.

Writing or erasing program memory will cease instruction fetches until the operation is complete. The program memory cannot be accessed during the write or erase, therefore, code cannot execute. An internal programming timer terminates program memory writes and erases.

A value written to program memory does not need to be a valid instruction. Executing a program memory location that forms an invalid instruction results in a NOP.

## 6.1 Table Reads and Table Writes

In order to read and write program memory, there are two operations that allow the processor to move bytes between the program memory space and the data RAM:

- Table Read (TBLRD)
- Table Write (TBLWT)

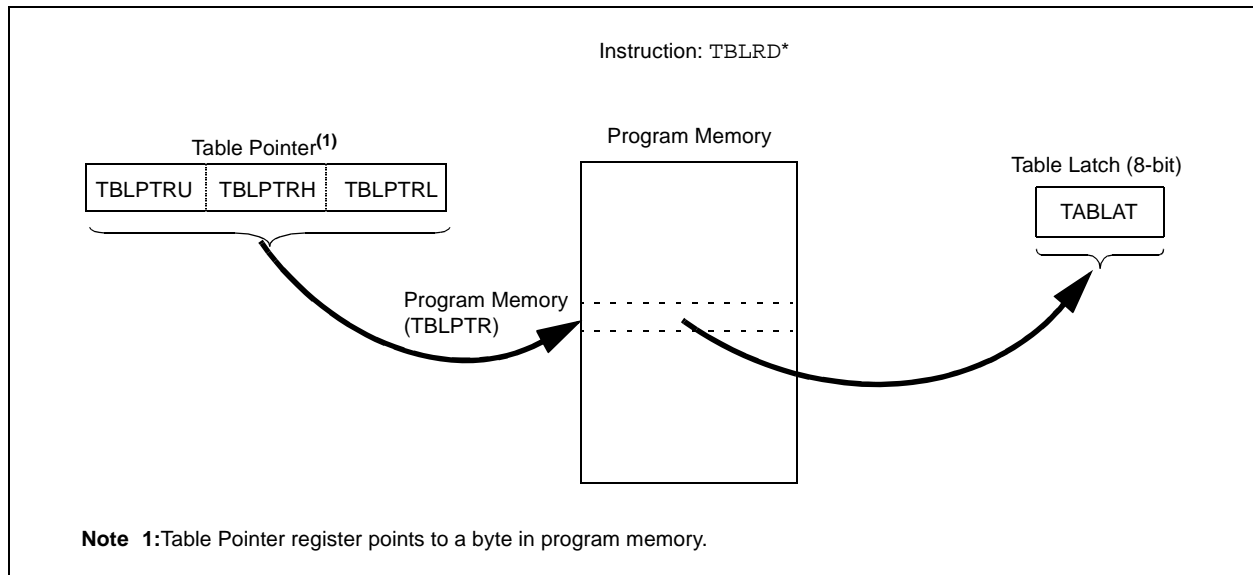
The program memory space is 16 bits wide, while the data RAM space is 8 bits wide. Table reads and table writes move data between these two memory spaces through an 8-bit register (TABLAT).

Table read operations retrieve data from program memory and place it into the data RAM space. Figure 6-1 shows the operation of a table read with program memory and data RAM.

Table write operations store data from the data memory space into holding registers in program memory. The procedure to write the contents of the holding registers into program memory is detailed in **Section 6.5 “Writing to Flash Program Memory”**. Figure 6-2 shows the operation of a table write with program memory and data RAM.

Table operations work with byte entities. A table block containing data, rather than program instructions, is not required to be word aligned. Therefore, a table block can start and end at any byte address. If a table write is being used to write executable code into program memory, program instructions will need to be word aligned.

**FIGURE 6-1: TABLE READ OPERATION**



# PIC18F8722 FAMILY

FIGURE 6-2: TABLE WRITE OPERATION



## 6.2 Control Registers

Several control registers are used in conjunction with the TBLRD and TBLWT instructions. These include the:

- EECON1 register
- EECON2 register
- TABLAT register
- TBLPTR registers

### 6.2.1 EECON1 AND EECON2 REGISTERS

The EECON1 register (Register 6-1) is the control register for memory accesses. The EECON2 register is not a physical register; it is used exclusively in the memory write and erase sequences. Reading EECON2 will read all ‘0’s.

The EEPGD control bit determines if the access will be a program or data EEPROM memory access. When clear, any subsequent operations will operate on the data EEPROM memory. When set, any subsequent operations will operate on the program memory.

The CFGS control bit determines if the access will be to the Configuration/Calibration registers or to program memory/data EEPROM memory. When set, subsequent operations will operate on Configuration

registers regardless of EEPGD (see Section 25.0 “Special Features of the CPU”). When clear, memory selection access is determined by EEPGD.

The FREE bit, when set, will allow a program memory erase operation. When FREE is set, the erase operation is initiated on the next WR command. When FREE is clear, only writes are enabled.

The WREN bit, when set, will allow a write operation. On power-up, the WREN bit is clear. The WRERR bit is set in hardware when the WR bit is set and cleared when the internal programming timer expires and the write operation is complete.

**Note:** During normal operation, the WRERR is read as ‘1’. This can indicate that a write operation was prematurely terminated by a Reset, or a write operation was attempted improperly.

The WR control bit initiates write operations. The bit cannot be cleared, only set, in software; it is cleared in hardware at the completion of the write operation.

**Note:** The EEIF interrupt flag bit (PIR2<4>) is set when the write is complete. It must be cleared in software.

# PIC18F8722 FAMILY

## REGISTER 6-1: EECON1: EEPROM CONTROL REGISTER 1

|       |       |     |       |                      |       |       |       |
|-------|-------|-----|-------|----------------------|-------|-------|-------|
| R/W-x | R/W-x | U-0 | R/W-0 | R/W-x                | R/W-0 | R/S-0 | R/S-0 |
| EEPGD | CFGS  | —   | FREE  | WRERR <sup>(1)</sup> | WREN  | WR    | RD    |
| bit 7 |       |     |       |                      |       |       | bit 0 |

### Legend:

|                   |                  |                                    |
|-------------------|------------------|------------------------------------|
| R = Readable bit  | W = Writable bit | U = Unimplemented bit, read as '0' |
| -n = Value at POR | '1' = Bit is set | '0' = Bit is cleared               |
|                   |                  | x = Bit is unknown                 |

- bit 7      **EEPGD:** Flash Program or Data EEPROM Memory Select bit  
 1 = Access Flash program memory  
 0 = Access data EEPROM memory
- bit 6      **CFGS:** Flash Program/Data EEPROM or Configuration Select bit  
 1 = Access Configuration registers  
 0 = Access Flash program or data EEPROM memory
- bit 5      **Unimplemented:** Read as '0'
- bit 4      **FREE:** Flash Row Erase Enable bit  
 1 = Erase the program memory row addressed by TBLPTR on the next WR command  
 (cleared by completion of erase operation)  
 0 = Perform write only
- bit 3      **WRERR:** Flash Program/Data EEPROM Error Flag bit<sup>(1)</sup>  
 1 = A write operation is prematurely terminated (any Reset during self-timed programming in normal operation, or an improper write attempt)  
 0 = The write operation completed
- bit 2      **WREN:** Flash Program/Data EEPROM Write Enable bit  
 1 = Allows write cycles to Flash program/data EEPROM  
 0 = Inhibits write cycles to Flash program/data EEPROM
- bit 1      **WR:** Write Control bit  
 1 = Initiates a data EEPROM erase/write cycle or a program memory erase cycle or write cycle.  
 (The operation is self-timed and the bit is cleared by hardware once write is complete.  
 The WR bit can only be set (not cleared) in software.)  
 0 = Write cycle to the EEPROM is complete
- bit 0      **RD:** Read Control bit  
 1 = Initiates an EEPROM read (Read takes one cycle. RD is cleared in hardware. The RD bit can only be set (not cleared) in software. RD bit cannot be set when EEGD = 1 or CFGS = 1.)  
 0 = Does not initiate an EEPROM read

**Note 1:** When a WRERR occurs, the EEGD and CFGS bits are not cleared. This allows tracing of the error condition.

# PIC18F8722 FAMILY

## 6.2.2 TABLAT – TABLE LATCH REGISTER

The Table Latch (TABLAT) is an 8-bit register mapped into the SFR space. The Table Latch register is used to hold 8-bit data during data transfers between program memory and data RAM.

## 6.2.3 TBLPTR – TABLE POINTER REGISTER

The Table Pointer (TBLPTR) register addresses a byte within the program memory. The TBLPTR is comprised of three SFR registers: Table Pointer Upper Byte, Table Pointer High Byte and Table Pointer Low Byte (TBLPTRU:TBLPTRH:TBLPTRL). These three registers join to form a 22-bit wide pointer. The low-order 21 bits allow the device to address up to 2 Mbytes of program memory space. The 22nd bit allows access to the device ID, the user ID and the Configuration bits.

The Table Pointer register, TBLPTR, is used by the TBLRD and TBLWT instructions. These instructions can update the TBLPTR in one of four ways based on the table operation. These operations are shown in Table 6-1. These operations on the TBLPTR only affect the low-order 21 bits.

## 6.2.4 TABLE POINTER BOUNDARIES

TBLPTR is used in reads, writes and erases of the Flash program memory.

When a TBLRD is executed, all 22 bits of the TBLPTR determine which byte is read from program memory into TABLAT.

When a TBLWT is executed, the six LSbs of the Table Pointer register (TBLPTR<5:0>) determine which of the 64 program memory holding registers is written to. When the timed write to program memory begins (via the WR bit), the 16 MSBs of the TBLPTR (TBLPTR<21:6>) determine which program memory block of 64 bytes is written to. For more detail, see **Section 6.5 “Writing to Flash Program Memory”**.

When an erase of program memory is executed, the 16 MSBs of the Table Pointer register (TBLPTR<21:6>) point to the 64-byte block that will be erased. The Least Significant bits (TBLPTR<5:0>) are ignored.

Figure 6-3 describes the relevant boundaries of TBLPTR based on Flash program memory operations.

**TABLE 6-1: TABLE POINTER OPERATIONS WITH TBLRD AND TBLWT INSTRUCTIONS**

| Example            | Operation on Table Pointer                  |
|--------------------|---|
| TBLRD*<br>TBLWT*   | TBLPTR is not modified                      |
| TBLRD*+<br>TBLWT*+ | TBLPTR is incremented after the read/write  |
| TBLRD*-<br>TBLWT*- | TBLPTR is decremented after the read/write  |
| TBLRD+*<br>TBLWT+* | TBLPTR is incremented before the read/write |

**FIGURE 6-3: TABLE POINTER BOUNDARIES BASED ON OPERATION**



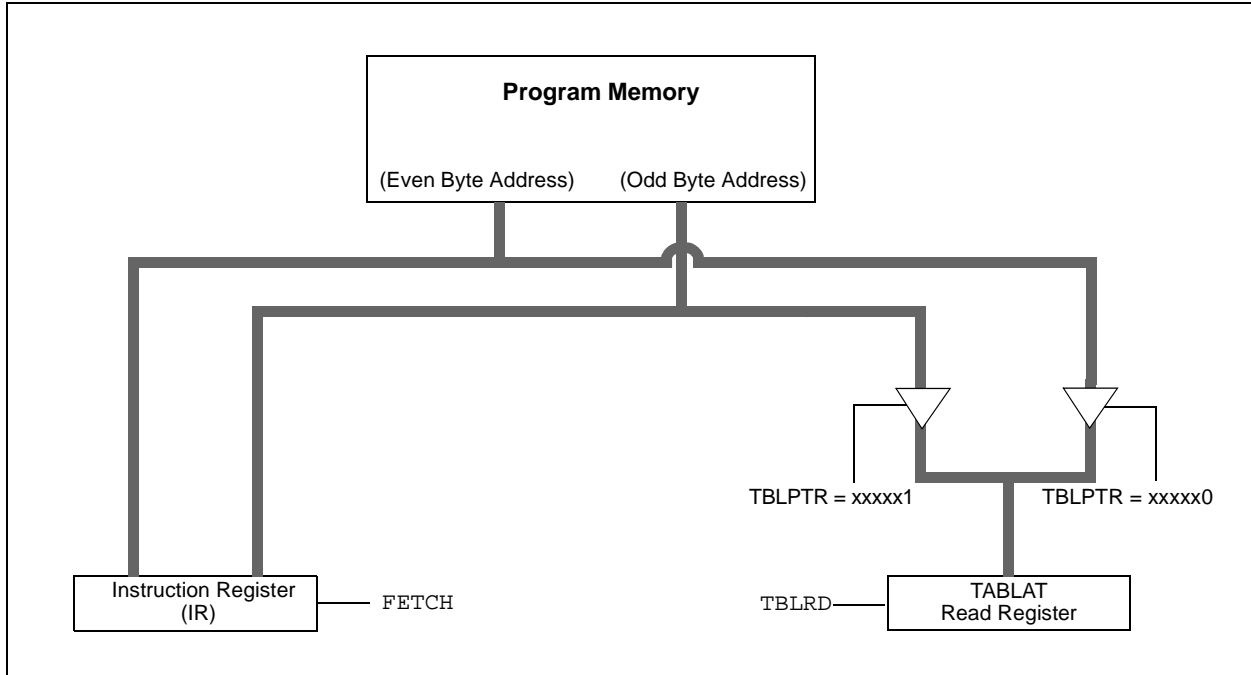
## 6.3 Reading the Flash Program Memory

The `TBLRD` instruction is used to retrieve data from program memory and places it into data RAM. Table reads from program memory are performed one byte at a time.

`TBLPTR` points to a byte address in program space. Executing `TBLRD` places the byte pointed to into `TABLAT`. In addition, `TBLPTR` can be modified automatically for the next table read operation.

The internal program memory is typically organized by words. The Least Significant bit of the address selects between the high and low bytes of the word. Figure 6-4 shows the interface between the internal program memory and the `TABLAT`.

**FIGURE 6-4: READS FROM FLASH PROGRAM MEMORY**



**EXAMPLE 6-1: READING A FLASH PROGRAM MEMORY WORD**

```

MOV LW CODE_ADDR_UPPER      ; Load TBLPTR with the base
MOV WF TBLPTRU              ; address of the word
MOV LW CODE_ADDR_HIGH
MOV WF TBLPTRH
MOV LW CODE_ADDR_LOW
MOV WF TBLPTRL

READ_WORD
TBLRD*+                    ; read into TABLAT and increment
MOV F TABLAT, W            ; get data
MOV WF WORD_EVEN
TBLRD*+                    ; read into TABLAT and increment
MOV F TABLAT, W            ; get data
MOV F WORD_ODD
    
```

# PIC18F8722 FAMILY

## 6.4 Erasing Flash Program Memory

The minimum erase block is 32 words or 64 bytes. Only through the use of an external programmer, or through ICSP control, can larger blocks of program memory be bulk erased. Word erase in the Flash array is not supported.

When initiating an erase sequence from the microcontroller itself, a block of 64 bytes of program memory is erased. The Most Significant 16 bits of the TBLPTR<21:6> point to the block being erased. TBLPTR<5:0> are ignored.

The EECON1 register commands the erase operation. The EEPGD bit must be set to point to the Flash program memory. The WREN bit must be set to enable write operations. The FREE bit is set to select an erase operation.

For protection, the write initiate sequence for EECON2 must be used.

A long write is necessary for erasing the internal Flash. Instruction execution is halted while in a long write cycle. The long write will be terminated by the internal programming timer.

### 6.4.1 FLASH PROGRAM MEMORY ERASE SEQUENCE

The sequence of events for erasing a block of internal program memory location is:

1. Load Table Pointer register with address of row being erased.
2. Set the EECON1 register for the erase operation:
  - set EEPGD bit to point to program memory;
  - clear the CFGS bit to access program memory;
  - set WREN bit to enable writes;
  - set FREE bit to enable the erase.
3. Disable interrupts.
4. Write 55h to EECON2.
5. Write 0AAh to EECON2.
6. Set the WR bit. This will begin the row erase cycle.
7. The CPU will stall for duration of the erase for  $T_{iw}$  (see parameter D133A).
8. Re-enable interrupts.

#### EXAMPLE 6-2: ERASING A FLASH PROGRAM MEMORY ROW

|                          |       |                 |                                 |
|--------------------------|-------|-----------------|---------------------------------|
|                          | MOVLW | CODE_ADDR_UPPER | ; load TBLPTR with the base     |
|                          | MOVWF | TBLPTRU         | ; address of the memory block   |
|                          | MOVLW | CODE_ADDR_HIGH  |                                 |
|                          | MOVWF | TBLPTRH         |                                 |
|                          | MOVLW | CODE_ADDR_LOW   |                                 |
|                          | MOVWF | TBLPTRL         |                                 |
| ERASE_ROW                |       |                 |                                 |
|                          | BSF   | EECON1, EEPGD   | ; point to Flash program memory |
|                          | BCF   | EECON1, CFGS    | ; access Flash program memory   |
|                          | BSF   | EECON1, WREN    | ; enable write to memory        |
|                          | BSF   | EECON1, FREE    | ; enable Row Erase operation    |
|                          | BCF   | INTCON, GIE     | ; disable interrupts            |
| <b>Required Sequence</b> | MOVLW | 55h             |                                 |
|                          | MOVWF | EECON2          | ; write 55h                     |
|                          | MOVLW | 0AAh            |                                 |
|                          | MOVWF | EECON2          | ; write 0AAh                    |
|                          | BSF   | EECON1, WR      | ; start erase (CPU stall)       |
|                          | BSF   | INTCON, GIE     | ; re-enable interrupts          |

## 6.5 Writing to Flash Program Memory

The minimum programming block is 32 words or 64 bytes. Word or byte programming is not supported.

Table writes are used internally to load the holding registers needed to program the Flash memory. There are 64 holding registers used by the table writes for programming.

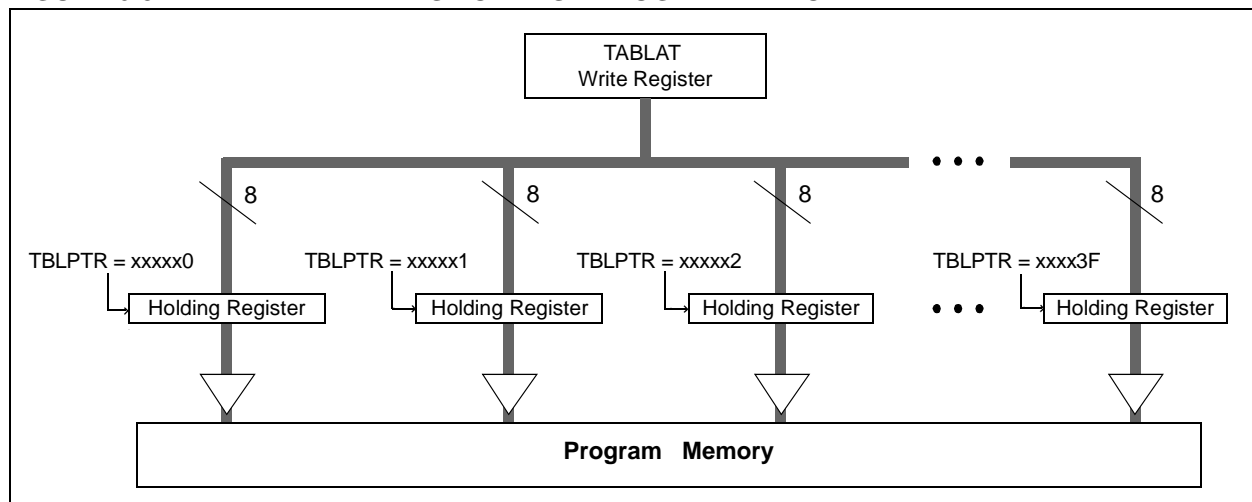
Since the Table Latch (TABLAT) is only a single byte, the TBLWT instruction may need to be executed 64 times for each programming operation. All of the table write operations will essentially be short writes because only the holding registers are written. At the end of updating the 64 holding registers, the EECON1 register must be written to in order to start the programming operation with a long write.

The long write is necessary for programming the internal Flash. Instruction execution is halted while in a long write cycle. The long write will be terminated by the internal programming timer.

The EEPROM on-chip timer controls the write time. The write/erase voltages are generated by an on-chip charge pump, rated to operate over the voltage range of the device.

**Note:** The default value of the holding registers on device Resets and after write operations is FFh. A write of FFh to a holding register does not modify that byte. This means that individual bytes of program memory may be modified, provided that the change does not attempt to change any bit from a '0' to a '1'. When modifying individual bytes, it is not necessary to load all 64 holding registers before executing a write operation.

**FIGURE 6-5: TABLE WRITES TO FLASH PROGRAM MEMORY**



### 6.5.1 FLASH PROGRAM MEMORY WRITE SEQUENCE

The sequence of events for programming an internal program memory location should be:

1. Read 64 bytes into RAM.
2. Update data values in RAM as necessary.
3. Load Table Pointer register with address being erased.
4. Execute the row erase procedure.
5. Load Table Pointer register with address of first byte being written.
6. Write the 64 bytes into the holding registers with auto-increment.
7. Set the EECON1 register for the write operation:
  - set EEPGD bit to point to program memory;
  - clear the CFGS bit to access program memory;
  - set WREN to enable byte writes.

8. Disable interrupts.
9. Write 55h to EECON2.
10. Write 0AAh to EECON2.
11. Set the WR bit. This will begin the write cycle.
12. The CPU will stall for duration of the write for  $T_{iW}$  (see parameter D133A).
13. Re-enable interrupts.
14. Verify the memory (table read).

An example of the required code is shown in Example 6-3 on the following page.

**Note:** Before setting the WR bit, the Table Pointer address needs to be within the intended address range of the 64 bytes in the holding register.

# PIC18F8722 FAMILY

## EXAMPLE 6-3: WRITING TO FLASH PROGRAM MEMORY

```
        MOVLW  D'64'                ; number of bytes in erase block
        MOVWF  COUNTER
        MOVLW  BUFFER_ADDR_HIGH     ; point to buffer
        MOVWF  FSR0H
        MOVLW  BUFFER_ADDR_LOW
        MOVWF  FSR0L
        MOVLW  CODE_ADDR_UPPER     ; Load TBLPTR with the base
        MOVWF  TBLPTRU              ; address of the memory block
        MOVLW  CODE_ADDR_HIGH
        MOVWF  TBLPTRH
        MOVLW  CODE_ADDR_LOW
        MOVWF  TBLPTRL

READ_BLOCK
        TBLRD*+                    ; read into TABLAT, and inc
        MOVF   TABLAT, W            ; get data
        MOVWF  POSTINC0            ; store data
        DECFSZ COUNTER             ; done?
        BRA   READ_BLOCK           ; repeat

MODIFY_WORD
        MOVLWD ATA_ADDR_HIGH       ; point to buffer
        MOVWF  FSR0H
        MOVLW  DATA_ADDR_LOW
        MOVWF  FSR0L
        MOVLW  NEW_DATA_LOW        ; update buffer word
        MOVWF  POSTINC0
        MOVLW  NEW_DATA_HIGH
        MOVWF  INDF0

ERASE_BLOCK
        MOVLW  CODE_ADDR_UPPER     ; load TBLPTR with the base
        MOVWF  TBLPTRU              ; address of the memory block
        MOVLW  CODE_ADDR_HIGH
        MOVWF  TBLPTRH
        MOVLW  CODE_ADDR_LOW
        MOVWF  TBLPTRL
        BSF   EECON1, EEPGD        ; point to Flash program memory
        BCF   EECON1, CFGS         ; access Flash program memory
        BSF   EECON1, WREN         ; enable write to memory
        BSF   EECON1, FREE         ; enable Row Erase operation
        BCF   INTCON, GIE          ; disable interrupts

Required
Sequence
        MOVLW  55h
        MOVWF  EECON2              ; write 55h
        MOVLW  0AAh
        MOVWF  EECON2              ; write 0AAh
        BSF   EECON1, WR           ; start erase (CPU stall)
        BSF   INTCON, GIE          ; re-enable interrupts
        TBLRD*-                    ; dummy read decrement
        MOVLW  BUFFER_ADDR_HIGH     ; point to buffer
        MOVWF  FSR0H
        MOVLW  BUFFER_ADDR_LOW
        MOVWF  FSR0L

WRITE_BUFFER_BACK
        MOVLW  D'64'                ; number of bytes in holding register
        MOVWF  COUNTER

WRITE_BYTE_TO_HREGS
        MOVFF  POSTINC0, WREG       ; get low byte of buffer data
        MOVWF  TABLAT              ; present data to table latch
        TBLWT*+                    ; write data, perform a short write
                                   ; to internal TBLWT holding register.
        DECFSZ COUNTER             ; loop until buffers are full
        BRA   WRITE_WORD_TO_HREGS
```



## EXAMPLE 6-3: WRITING TO FLASH PROGRAM MEMORY (CONTINUED)

|                          |  |       |               |                                 |
|--------------------------|--|-------|---------------|---------------------------------|
| PROGRAM_MEMORY           |  | BSF   | EECON1, EEPGD | ; point to Flash program memory |
|                          |  | BCF   | EECON1, CFGS  | ; access Flash program memory   |
|                          |  | BSF   | EECON1, WREN  | ; enable write to memory        |
|                          |  | BCF   | INTCON, GIE   | ; disable interrupts            |
| <b>Required Sequence</b> |  | MOVLW | 55h           |                                 |
|                          |  | MOVWF | EECON2        | ; write 55h                     |
|                          |  | MOVLW | 0AAh          |                                 |
|                          |  | MOVWF | EECON2        | ; write 0AAh                    |
|                          |  | BSF   | EECON1, WR    | ; start program (CPU stall)     |
|                          |  | BSF   | INTCON, GIE   | ; re-enable interrupts          |
|                          |  | BCF   | EECON1, WREN  | ; disable write to memory       |

### 6.5.2 WRITE VERIFY

Depending on the application, good programming practice may dictate that the value written to the memory should be verified against the original value. This should be used in applications where excessive writes can stress bits near the specification limit.

### 6.5.3 UNEXPECTED TERMINATION OF WRITE OPERATION

If a write is terminated by an unplanned event, such as loss of power or an unexpected Reset, the memory location just programmed should be verified and reprogrammed if needed. If the write operation is interrupted by a MCLR Reset or a WDT Time-out Reset during normal operation, the user can check the WRERR bit and rewrite the location(s) as needed.

### 6.5.4 PROTECTION AGAINST SPURIOUS WRITES

To protect against spurious writes to Flash program memory, the write initiate sequence must also be followed. See **Section 25.0 “Special Features of the CPU”** for more detail.

## 6.6 Flash Program Operation During Code Protection

See **Section 25.5 “Program Verification and Code Protection”** for details on code protection of Flash program memory.

**TABLE 6-2: REGISTERS ASSOCIATED WITH PROGRAM FLASH MEMORY**

| Name    | Bit 7   | Bit 6     | Bit 5                 | Bit 4   | Bit 3  | Bit 2  | Bit 1  | Bit 0  | Reset Values on page |
|---------|---|-----------|-----------------------|---|--------|--------|--------|--------|----------------------|
| TBLPTRU | —   | —         | bit 21 <sup>(1)</sup> | Program Memory Table Pointer Upper Byte (TBLPTR<20:16>) |        |        |        |        | 57                   |
| TBPLTRH | Program Memory Table Pointer High Byte (TBLPTR<15:8>) |           |                       |   |        |        |        |        | 57                   |
| TBLPTRL | Program Memory Table Pointer Low Byte (TBLPTR<7:0>)   |           |                       |   |        |        |        |        | 57                   |
| TABLAT  | Program Memory Table Latch                            |           |                       |   |        |        |        |        | 57                   |
| INTCON  | GIE/GIEH  | PEIE/GIEL | TMR0IE                | INT0IE  | RBIE   | TMR0IF | INT0IF | RBF    | 57                   |
| EECON2  | EEPROM Control Register 2 (not a physical register)   |           |                       |   |        |        |        |        | 59                   |
| EECON1  | EEPGD   | CFGFS     | —                     | FREE  | WRERR  | WREN   | WR     | RD     | 59                   |
| IPR2    | OSCFIP  | CMIP      | —                     | EEIP  | BCL1IP | HLVDIP | TMR3IP | CCP2IP | 60                   |
| PIR2    | OSCFIF  | CMIF      | —                     | EEIF  | BCL1IF | HLVDIF | TMR3IF | CCP2IF | 60                   |
| PIE2    | OSCFIE  | CMIE      | —                     | EEIE  | BCL1IE | HLVDIE | TMR3IE | CCP2IE | 60                   |

**Legend:** — = unimplemented, read as ‘0’. Shaded cells are not used during Flash/EEPROM access.

**Note 1:** Bit 21 of TBLPTRU allows access to the device Configuration bits.

# PIC18F8722 FAMILY

---

NOTES:

# PIC18F8722 FAMILY

## 7.0 EXTERNAL MEMORY BUS

**Note:** The External Memory Bus is not implemented on PIC18F6527/6622/6627/6722 (64-pin) devices.

The External Memory Bus (EMB) allows the device to access external memory devices (such as Flash, EPROM, SRAM, etc.) as program or data memory. It supports both 8-bit and 16-bit Data Width modes and four address widths from 8 to 20 bits.

The bus is implemented with 28 pins, multiplexed across four I/O ports. Three ports (PORTD, PORTE and PORTH) are multiplexed with the address/data bus for a total of 20 available lines, while PORTJ is multiplexed with the bus control signals.

A list of the pins and their functions is provided in Table 7-1.

**TABLE 7-1: PIC18F8527/8622/8627/8722 EXTERNAL BUS – I/O PORT FUNCTIONS**

| Name                  | Port  | Bit | External Memory Bus Function                      |
|-----------------------|-------|-----|---|
| RD0/AD0               | PORTD | 0   | Address bit 0 or Data bit 0                       |
| RD1/AD1               | PORTD | 1   | Address bit 1 or Data bit 1                       |
| RD2/AD2               | PORTD | 2   | Address bit 2 or Data bit 2                       |
| RD3/AD3               | PORTD | 3   | Address bit 3 or Data bit 3                       |
| RD4/AD4               | PORTD | 4   | Address bit 4 or Data bit 4                       |
| RD5/AD5               | PORTD | 5   | Address bit 5 or Data bit 5                       |
| RD6/AD6               | PORTD | 6   | Address bit 6 or Data bit 6                       |
| RD7/AD7               | PORTD | 7   | Address bit 7 or Data bit 7                       |
| RE0/AD8               | PORTE | 0   | Address bit 8 or Data bit 8                       |
| RE1/AD9               | PORTE | 1   | Address bit 9 or Data bit 9                       |
| RE2/AD10              | PORTE | 2   | Address bit 10 or Data bit 10                     |
| RE3/AD11              | PORTE | 3   | Address bit 11 or Data bit 11                     |
| RE4/AD12              | PORTE | 4   | Address bit 12 or Data bit 12                     |
| RE5/AD13              | PORTE | 5   | Address bit 13 or Data bit 13                     |
| RE6/AD14              | PORTE | 6   | Address bit 14 or Data bit 14                     |
| RE7/AD15              | PORTE | 7   | Address bit 15 or Data bit 15                     |
| RH0/A16               | PORTH | 0   | Address bit 16                                    |
| RH1/A17               | PORTH | 1   | Address bit 17                                    |
| RH2/A18               | PORTH | 2   | Address bit 18                                    |
| RH3/A19               | PORTH | 3   | Address bit 19                                    |
| RJ0/ALE               | PORTJ | 0   | Address Latch Enable (ALE) Control pin            |
| RJ1/ $\overline{OE}$  | PORTJ | 1   | Output Enable ( $\overline{OE}$ ) Control pin     |
| RJ2/ $\overline{WRL}$ | PORTJ | 2   | Write Low ( $\overline{WRL}$ ) Control pin        |
| RJ3/ $\overline{WRH}$ | PORTJ | 3   | Write High ( $\overline{WRH}$ ) Control pin       |
| RJ4/BA0               | PORTJ | 4   | Byte Address bit 0 (BA0)                          |
| RJ5/ $\overline{CE}$  | PORTJ | 5   | Chip Enable ( $\overline{CE}$ ) Control pin       |
| RJ6/ $\overline{LB}$  | PORTJ | 6   | Lower Byte Enable ( $\overline{LB}$ ) Control pin |
| RJ7/ $\overline{UB}$  | PORTJ | 7   | Upper Byte Enable ( $\overline{UB}$ ) Control pin |

**Note:** For the sake of clarity, only I/O port and external bus assignments are shown here. One or more additional multiplexed features may be available on some pins.

# PIC18F8722 FAMILY

## 7.1 External Memory Bus Control

The operation of the interface is controlled by the MEMCON register (Register 7-1). This register is available in all program memory operating modes except Microcontroller mode. In this mode, the register is disabled and cannot be written to.

The EBDIS bit (MEMCON<7>) controls the operation of the bus and related port functions. Clearing EBDIS enables the interface and disables the I/O functions of the ports, as well as any other functions multiplexed to those pins. Setting the bit enables the I/O ports and other functions but allows the interface to override everything else on the pins when an external memory operation is required. By default, the external bus is always enabled and disables all other I/O.

The operation of the EBDIS bit is also influenced by the program memory mode being used. This is discussed in more detail in **Section 7.4 “Program Memory Modes and the External Memory Bus”**.

The WAIT bits allow for the addition of wait states to external memory operations. The use of these bits is discussed in **Section 7.3 “Wait States”**.

The WM bits select the particular operating mode used when the bus is operating in 16-bit Data Width mode. These are discussed in more detail in **Section 7.5 “16-Bit Data Width Modes”**. These bits have no effect when an 8-bit Data Width mode is selected.

**WM<1:0>:** TBLWT Operation with 16-Bit Data Bus Width Select bits

1x = Word Write mode: TABLAT0 and TABLAT1 word output,  $\overline{WRH}$  active when TABLAT1 written

01 = Byte Select mode: TABLAT data copied on both MSB and LSB;  $\overline{WRH}$  and ( $\overline{UB}$  or  $\overline{LB}$ ) will activate

**REGISTER 7-1: MEMCON: EXTERNAL MEMORY BUS CONTROL REGISTER**

|       |     |       |       |     |     |       |       |
|-------|-----|-------|-------|-----|-----|-------|-------|
| R/W-0 | U-0 | R/W-0 | R/W-0 | U-0 | U-0 | R/W-0 | R/W-0 |
| EBDIS | —   | WAIT1 | WAIT0 | —   | —   | WM1   | WM0   |
| bit 7 |     |       |       |     |     |       | bit 0 |

**Legend:**

R = Readable bit                      W = Writable bit                      U = Unimplemented bit, read as '0'  
 -n = Value at POR                      '1' = Bit is set                      '0' = Bit is cleared                      x = Bit is unknown

- bit 7                      **EBDIS:** External Bus Disable bit  
                             1 = External bus enabled when microcontroller accesses external memory;  
    otherwise, all external bus drivers are mapped as I/O ports  
                             0 = External bus always enabled, I/O ports are disabled
- bit 6                      **Unimplemented:** Read as '0'
- bit 5-4                      **WAIT<1:0>:** Table Reads and Writes Bus Cycle Wait Count bits  
                             11 = Table reads and writes will wait 0 Tcy  
                             10 = Table reads and writes will wait 1 Tcy  
                             01 = Table reads and writes will wait 2 Tcy  
                             00 = Table reads and writes will wait 3 Tcy
- bit 3-2                      **Unimplemented:** Read as '0'
- bit 1-0                      **WM<1:0>:** TBLWT Operation with 16-Bit Data Bus Width Select bits  
                             1 = Result was negative  
                             0 = Result was positive

## 7.2 Address and Data Width

PIC18F8527/8622/8627/8722 devices can be independently configured for different address and data widths on the same memory bus. Both address and data width are set by Configuration bits in the CONFIG3L register. As Configuration bits, this means that these options can only be configured by programming the device and are not controllable in software.

The BW bit selects an 8-bit or 16-bit data bus width. Setting this bit (default) selects a data width of 16 bits.

The ADW<1:0> bits determine the address bus width. The available options are 20-bit (default), 16-bit, 12-bit and 8-bit. Selecting any of the options other than 20-bit width makes a corresponding number of high-order lines available for I/O functions; these pins are no longer affected by the setting of the EBDIS bit. For example, selecting a 16-bit Address mode (ADW<1:0> = 10) disables A<19:16> and allows PORTH<3:0> to function without interruptions from the bus. Using smaller address widths allows users to tailor the memory bus to the size of the external memory space for a particular design while freeing up pins for dedicated I/O operation.

Because the ADW bits have the effect of disabling pins for memory bus operations, it is important to always select an address width at least equal to the data width. If 8-bit or 12-bit address widths are used with a 16-bit data width, the upper bits of data will not be available on the bus.

All combinations of address and data widths require multiplexing of address and data information on the same lines. The address and data multiplexing, as well as I/O ports made available by the use of smaller address widths, are summarized in Table 7-2.

### 7.2.1 21-BIT ADDRESSING

As an extension of 20-bit address width operation, the External Memory Bus can also fully address a 2 Mbyte memory space. This is done by using the Bus Address bit 0 (BA0) control line as the Least Significant bit of the address. The  $\overline{UB}$  and  $\overline{LB}$  control signals may also be used with certain memory devices to select the upper and lower bytes within a 16-bit wide data word.

This addressing mode is available in both 8-bit and certain 16-bit Data Width modes. Additional details are provided in **Section 7.5.3 “16-bit Byte Select Mode”** and **Section 7.6 “8-Bit Data Width Modes”**.

## 7.3 Wait States

While it may be assumed that external memory devices will operate at the microcontroller clock rate, this is often not the case. In fact, many devices require longer times to write or retrieve data than the time allowed by the execution of table read or table write operations.

To compensate for this, the External Memory Bus can be configured to add a fixed delay to each table operation using the bus. Wait states are enabled by setting the WAITx bit. When enabled, the amount of delay is set by the WAIT<1:0> bits (MEMCON<5:4>). The delay is based on multiples of microcontroller instruction cycle time and are added following the instruction cycle when the table operation is executed. The range is from no delay to 3 Tcy (default value).

**TABLE 7-2: ADDRESS AND DATA LINES FOR DIFFERENT ADDRESS AND DATA WIDTHS**

| Data Width | Address Width | Multiplexed Data and Address Lines (and Corresponding Ports) | Address-Only Lines (and Corresponding Ports)   | Ports Available for I/O  |
|------------|---------------|--|--|--------------------------|
| 8-bit      | 8-bit         | AD<7:0><br>(PORTD<7:0>)                                      | —  | All of PORTE and PORTH   |
|            | 12-bit        |  | AD<11:8><br>(PORTE<3:0>)                       | PORTE<7:4>, All of PORTH |
|            | 16-bit        |  | AD<15:8><br>(PORTE<7:0>)                       | All of PORTH             |
|            | 20-bit        |  | A<19:16>, AD<15:8><br>(PORTH<3:0>, PORTE<7:0>) | —                        |
| 16-bit     | 16-bit        | AD<15:0><br>(PORTD<7:0>, PORTE<7:0>)                         | —  | All of PORTH             |
|            | 20-bit        |  | A<19:16><br>(PORTH<3:0>)                       | —                        |

# PIC18F8722 FAMILY

---

## 7.4 Program Memory Modes and the External Memory Bus

PIC18F8527/8622/8627/8722 devices are capable of operating in any one of four program memory modes, using combinations of on-chip and external program memory. The functions of the multiplexed port pins depends on the program memory mode selected, as well as the setting of the EBDIS bit.

In **Microcontroller Mode**, the bus is not active and the pins have their port functions only. Writes to the MEMCOM register are not permitted. The Reset value of EBDIS ('0') is ignored and EMB pins behave as I/O ports.

In **Microprocessor Mode**, the external bus is always active and the port pins have only the external bus function. The value of EBDIS is ignored.

In **Microprocessor with Boot Block or Extended Microcontroller Mode**, the external program memory bus shares I/O port functions on the pins. When the device is fetching or doing table read/table write operations on the external program memory space, the pins will have the external bus function. If the device is fetching and accessing internal program memory locations only, the EBDIS control bit will change the pins from external memory to I/O port functions. When EBDIS = 0, the pins function as the external bus. When EBDIS = 1, the pins function as I/O ports.

If the device fetches or accesses external memory while EBDIS = 1, the pins will switch from I/O to external bus. If the EBDIS bit is set by a program executing from external memory, the action of setting the bit will be delayed until the program branches into the internal memory. At that time, the pins will change from external bus to I/O ports.

If the device is executing out of internal memory when EBDIS = 0, the memory bus address/data and control pins will not be active. They will go to a state where the active address/data pins are tri-state; the  $\overline{CE}$ ,  $\overline{OE}$ ,  $\overline{WRH}$ ,  $\overline{WRL}$ ,  $\overline{UB}$  and  $\overline{LB}$  signals are '1'; and ALE and BA0 are '0'. Note that only those pins associated with the current address width are forced to tri-state; the other pins continue to function as I/O. In the case of 16-bit address width, for example, only AD<15:0> (PORTD and PORTE) are affected; A<19:16> (PORTH<3:0>) continue to function as I/O.

In all external memory modes, the bus takes priority over any other peripherals that may share pins with it. This includes the Parallel Slave Port and serial communications modules which would otherwise take priority over the I/O port.

## 7.5 16-Bit Data Width Modes

In 16-Bit Data Width mode, the External Memory Bus can be connected to external memories in three different configurations:

- 16-bit Byte Write
- 16-bit Word Write
- 16-bit Byte Select

The configuration to be used is determined by the WM1:WM0 bits in the MEMCON register (MEMCON<1:0>). These three different configurations allow the designer maximum flexibility in using both 8-bit and 16-bit devices with 16-bit data.

For all 16-bit modes, the Address Latch Enable (ALE) pin indicates that the address bits AD<15:0> are available on the external memory interface bus. Following the address latch, the Output Enable signal ( $\overline{OE}$ ) will enable both bytes of program memory at once to form a 16-bit instruction word. The Chip Enable signal ( $\overline{CE}$ ) is active at any time that the microcontroller accesses external memory, whether reading or writing; it is inactive (asserted high) whenever the device is in Sleep mode.

In Byte Select mode, JEDEC standard Flash memories will require BA0 for the byte address line and one I/O line to select between Byte and Word mode. The other 16-bit modes do not need BA0. JEDEC standard static RAM memories will use the  $\overline{UB}$  or  $\overline{LB}$  signals for byte selection.

# PIC18F8722 FAMILY

## 7.5.1 16-BIT BYTE WRITE MODE

Figure 7-1 shows an example of 16-bit Byte Write mode for PIC18F8527/8622/8627/8722 devices. This mode is used for two separate 8-bit memories connected for 16-bit operation. This generally includes basic EPROM and Flash devices. It allows table writes to byte-wide external memories.

During a TBLWT instruction cycle, the TABLAT data is presented on the upper and lower bytes of the AD<15:0> bus. The appropriate WRH or WRL control line is strobed on the LSB of the TBLPTR.

**FIGURE 7-1: 16-BIT BYTE WRITE MODE EXAMPLE**



# PIC18F8722 FAMILY

## 7.5.2 16-BIT WORD WRITE MODE

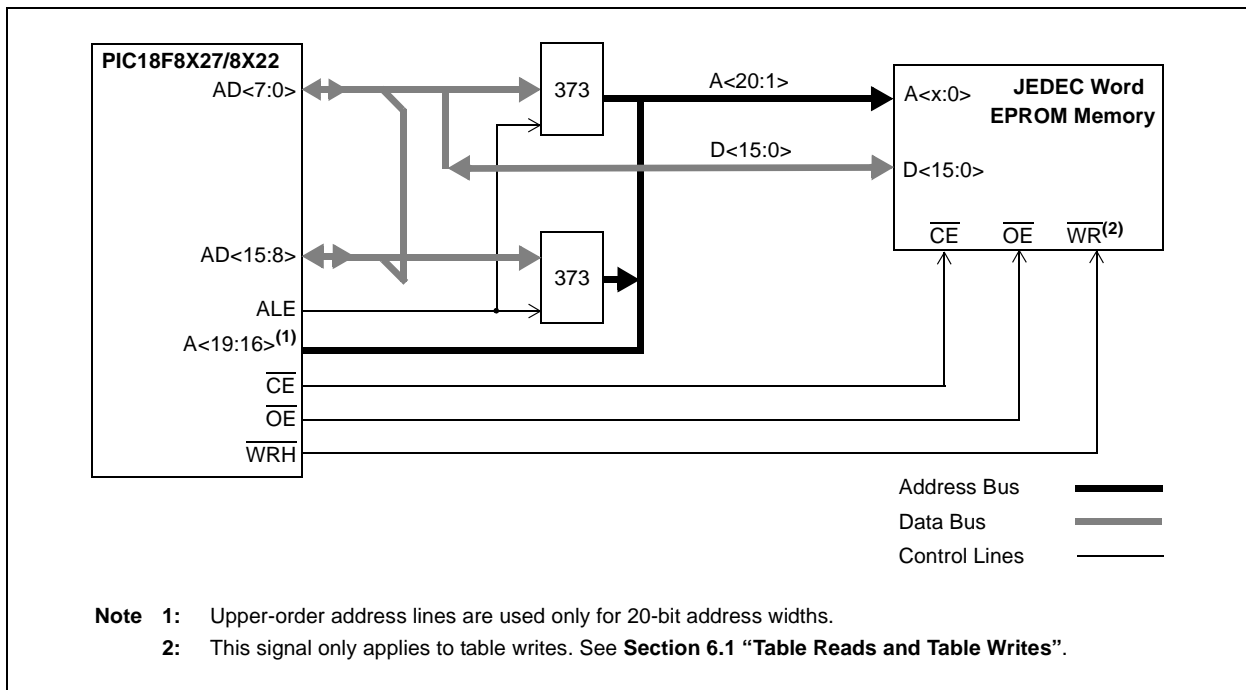
Figure 7-2 shows an example of 16-bit Word Write mode for PIC18F8527/8622/8627/8722 devices. This mode is used for word-wide memories which includes some of the EPROM and Flash-type memories. This mode allows opcode fetches and table reads from all forms of 16-bit memory and table writes to any type of word-wide external memories. This method makes a distinction between TBLWT cycles to even or odd addresses.

During a TBLWT cycle to an even address (TBLPTR<0> = 0), the TABLAT data is transferred to a holding latch and the external address data bus is tri-stated for the data portion of the bus cycle. No write signals are activated.

During a TBLWT cycle to an odd address (TBLPTR<0> = 1), the TABLAT data is presented on the upper byte of the AD15:AD0 bus. The contents of the holding latch are presented on the lower byte of the AD<15:0> bus.

The WRH signal is strobed for each write cycle; the WRL pin is unused. The signal on the BA0 pin indicates the Least Significant bit of TBLPTR but it is left unconnected. Instead, the UB and LB signals are active to select both bytes. The obvious limitation to this method is that the table write must be done in pairs on a specific word boundary to correctly write a word location.

**FIGURE 7-2: 16-BIT WORD WRITE MODE EXAMPLE**





# PIC18F8722 FAMILY

## 7.5.3 16-BIT BYTE SELECT MODE

Figure 7-3 shows an example of 16-bit Byte Select mode. This mode allows table write operations to word-wide external memories with byte selection capability. This generally includes both word-wide Flash and SRAM devices.

During a TBLWT cycle, the TABLAT data is presented on the upper and lower byte of the AD<15:0> bus. The WRH signal is strobed for each write cycle; the WRL pin is not used. The BA0 or  $\overline{UB}/\overline{LB}$  signals are used to select the byte to be written, based on the Least Significant bit of the TBLPTR register.

Flash and SRAM devices use different control signal combinations to implement Byte Select mode. JEDEC standard Flash memories require that a controller I/O port pin be connected to the memory's BYTE/WORD pin to provide the select signal. They also use the BA0 signal from the controller as a byte address. JEDEC standard static RAM memories, on the other hand, use the  $\overline{UB}$  or  $\overline{LB}$  signals to select the byte.

**FIGURE 7-3: 16-BIT BYTE SELECT MODE EXAMPLE**



# PIC18F8722 FAMILY

## 7.5.4 16-BIT MODE TIMING

The presentation of control signals on the External Memory Bus is different for the various operating modes. Typical signal timing diagrams are shown in Figure 7-4 through Figure 7-6. All examples assume either 20-bit or 21-bit address widths.

**FIGURE 7-4: EXTERNAL MEMORY BUS TIMING FOR TBLRD WITH A 1 T<sub>cy</sub> WAIT STATE (MICROPROCESSOR MODE)**



**FIGURE 7-5: EXTERNAL MEMORY BUS TIMING FOR TBLRD (EXTENDED MICROCONTROLLER MODE)**



**FIGURE 7-6: EXTERNAL MEMORY BUS TIMING FOR SLEEP (MICROPROCESSOR MODE)**



# PIC18F8722 FAMILY

## 7.6 8-Bit Data Width Modes

In 8-Bit Data Width mode, the External Memory Bus operates only in Multiplexed mode; that is, data shares the 8 least significant bits of the address bus.

Figure 7-7 shows an example of 8-bit Multiplexed mode for PIC18F8527/8622/8627/8722 devices. This mode is used for a single 8-bit memory connected for 16-bit operation. The instructions will be fetched as two 8-bit bytes on a shared data/address bus. The two bytes are sequentially fetched within one instruction cycle (TCY). Therefore, the designer must choose external memory devices according to timing calculations based on 1/2 TCY (2 times the instruction rate). For proper memory speed selection, glue logic propagation delay times must be considered along with setup and hold times.

The Address Latch Enable (ALE) pin indicates that the address bits A<15:0> are available on the External Memory Interface bus. The Output Enable signal ( $\overline{OE}$ ) will enable one byte of program memory for a portion of the instruction cycle, then BA0 will change and the second byte will be enabled to form the 16-bit instruction word. The least significant bit of the address, BA0, must be connected to the memory devices in this mode. The Chip Enable signal ( $\overline{CE}$ ) is active at any time that the microcontroller accesses external memory, whether reading or writing; it is inactive (asserted high) whenever the device is in Sleep mode.

This generally includes basic EPROM and Flash devices. It allows table writes to byte-wide external memories.

The appropriate level of BA0 control line is strobed on the LSb of the TBLPTR.

**FIGURE 7-7: 8-BIT MULTIPLEXED MODE EXAMPLE**



# PIC18F8722 FAMILY

## 7.6.1 8-BIT MODE TIMING

The presentation of control signals on the External Memory Bus is different for the various operating modes. Typical signal timing diagrams are shown in Figure 7-8 through Figure 7-11.

**FIGURE 7-8: EXTERNAL BUS TIMING FOR TBLRD (MICROPROCESSOR MODE)**



**FIGURE 7-9: EXTERNAL BUS TIMING FOR TBLRD (EXTENDED MICROCONTROLLER MODE)**



# PIC18F8722 FAMILY

**FIGURE 7-10: EXTERNAL MEMORY BUS TIMING FOR SLEEP (MICROPROCESSOR MODE)**



**FIGURE 7-11: TYPICAL OP CODE FETCH, 8-BIT MODE**



## 7.7 Operation in Power-Managed Modes

In alternate power-managed Run modes, the external bus continues to operate normally. If a clock source with a lower speed is selected, bus operations will run at that speed. In these cases, excessive access times for the external memory may result if wait states have been enabled and added to external memory operations. If operations in a lower power Run mode are anticipated, users should provide in their applications for adjusting memory access times at the lower clock speeds.

In Sleep and Idle modes, the microcontroller core does not need to access data; bus operations are suspended. The state of the external bus is frozen with the address/data pins and most of the control pins holding at the same state they were in when the mode was invoked. The only potential changes are the  $\overline{CE}$ ,  $\overline{LB}$  and  $\overline{UB}$  pins which are held at logic high.

**TABLE 7-3: SUMMARY OF REGISTERS ASSOCIATED WITH POWER-MANAGED MODES**

| Name                    | Bit 7 | Bit 6 | Bit 5 | Bit 4 | Bit 3 | Bit 2   | Bit 1                 | Bit 0  | Reset Values on page |
|-------------------------|-------|-------|-------|-------|-------|---------|-----------------------|--------|----------------------|
| MEMCON <sup>(1)</sup>   | EBDIS | —     | WAIT1 | WAIT0 | —     | —       | WM1                   | WM0    | 60                   |
| CONFIG3L <sup>(2)</sup> | WAIT  | BW    | ABW1  | ABW0  | —     | —       | PM1                   | PM0    | 302                  |
| CONFIG3H                | MCLRE | —     | —     | —     | —     | LPT1OSC | ECCPMX <sup>(2)</sup> | CCP2MX | 303                  |

**Legend:** — = unimplemented, read as '0'. Shaded cells are not used by the External Memory Bus.

**Note 1:** This register is not implemented on 64-pin devices.

**2:** Unimplemented in PIC18F6527/6622/6627/6722 devices.

# PIC18F8722 FAMILY

---

NOTES:



## 8.0 DATA EEPROM MEMORY

The data EEPROM is a nonvolatile memory array, separate from the data RAM and program memory, that is used for long-term storage of program data. It is not directly mapped in either the register file or program memory space, but is indirectly addressed through the Special Function Registers (SFRs). The EEPROM is readable and writable during normal operation over the entire VDD range.

Five SFRs are used to read and write to the data EEPROM, as well as the program memory. They are:

- EECON1
- EECON2
- EEDATA
- EEADR
- EEADRH

The data EEPROM allows byte read and write. When interfacing to the data memory block, EEDATA holds the 8-bit data for read/write and the EEADRH:EEADR register pair holds the address of the EEPROM location being accessed.

The EEPROM data memory is rated for high erase/write cycle endurance. A byte write automatically erases the location and writes the new data (erase-before-write). The write time is controlled by an on-chip timer; it will vary with voltage and temperature, as well as from chip-to-chip. Please refer to parameter D122 (Table 28-1 in **Section 28.0 “Electrical Characteristics”**) for exact limits.

### 8.1 EEADR and EEADRH Registers

The EEADRH:EEADR register pair is used to address the data EEPROM for read and write operations. EEADRH holds the two MSBs of the address; the upper 6 bits are ignored. The 10-bit range of the pair can address a memory range of 1024 bytes (00h to 3FFh).

### 8.2 EECON1 and EECON2 Registers

Access to the data EEPROM is controlled by two registers: EECON1 and EECON2. These are the same registers which control access to the program memory and are used in a similar manner for the data EEPROM.

The EECON1 register (Register ) is the control register for data and program memory access. Control bit EEPGD determines if the access will be to program or data EEPROM memory. When clear, operations will access the data EEPROM memory. When set, program memory is accessed.

Control bit CFGS determines if the access will be to the Configuration registers or to program memory/data EEPROM memory. When set, subsequent operations access Configuration registers. When CFGS is clear, the EEPGD bit selects either program Flash or data EEPROM memory.

The WREN bit, when set, will allow a write operation. On power-up, the WREN bit is clear. The WRERR bit is set in hardware when the WREN bit is set and cleared when the internal programming timer expires and the write operation is complete.

**Note:** During normal operation, the WRERR is read as '1'. This can indicate that a write operation was prematurely terminated by a Reset, or a write operation was attempted improperly.

The WR control bit initiates write operations. The bit cannot be cleared, only set, in software; it is cleared in hardware at the completion of the write operation.

**Note:** The EEIF interrupt flag bit (PIR2<4>) is set when the write is complete. It must be cleared in software.

Control bits, RD and WR, start read and erase/write operations, respectively. These bits are set by firmware and cleared by hardware at the completion of the operation.

The RD bit cannot be set when accessing program memory (EEPGD = 1). Program memory is read using table read instructions. See **Section 6.1 “Table Reads and Table Writes”** regarding table reads.

The EECON2 register is not a physical register. It is used exclusively in the memory write and erase sequences. Reading EECON2 will read all '0's.

# PIC18F8722 FAMILY

## REGISTER 8-1: EECON1: DATA EEPROM CONTROL REGISTER 1

|       |       |     |       |                      |       |       |       |
|-------|-------|-----|-------|----------------------|-------|-------|-------|
| R/W-x | R/W-x | U-0 | R/W-0 | R/W-x                | R/W-0 | R/S-0 | R/S-0 |
| EEPGD | CFGS  | —   | FREE  | WRERR <sup>(1)</sup> | WREN  | WR    | RD    |
| bit 7 |       |     |       |                      |       |       | bit 0 |

### Legend:

|                   |                  |                                    |
|-------------------|------------------|------------------------------------|
| R = Readable bit  | W = Writable bit | U = Unimplemented bit, read as '0' |
| -n = Value at POR | '1' = Bit is set | '0' = Bit is cleared               |
|                   |                  | x = Bit is unknown                 |

- bit 7      **EEPGD:** Flash Program or Data EEPROM Memory Select bit  
           1 = Access Flash program memory  
           0 = Access data EEPROM memory
- bit 6      **CFGS:** Flash Program/Data EEPROM or Configuration Select bit  
           1 = Access Configuration registers  
           0 = Access Flash program or data EEPROM memory
- bit 5      **Unimplemented:** Read as '0'
- bit 4      **FREE:** Flash Row Erase Enable bit  
           1 = Erase the program memory row addressed by TBLPTR on the next WR command (cleared by completion of erase operation)  
           0 = Perform write only
- bit 3      **WRERR:** Flash Program/Data EEPROM Error Flag bit<sup>(1)</sup>  
           1 = A write operation is prematurely terminated (any Reset during self-timed programming in normal operation, or an improper write attempt)  
           0 = The write operation completed
- bit 2      **WREN:** Flash Program/Data EEPROM Write Enable bit  
           1 = Allows write cycles to Flash program/data EEPROM  
           0 = Inhibits write cycles to Flash program/data EEPROM
- bit 1      **WR:** Write Control bit  
           1 = Initiates a data EEPROM erase/write cycle or a program memory erase cycle or write cycle. (The operation is self-timed and the bit is cleared by hardware once write is complete. The WR bit can only be set (not cleared) in software.)  
           0 = Write cycle to the EEPROM is complete
- bit 0      **RD:** Read Control bit  
           1 = Initiates an EEPROM read  
           (Read takes one cycle. RD is cleared in hardware. The RD bit can only be set (not cleared) in software. RD bit cannot be set when EEGPD = 1 or CFGS = 1.)  
           0 = Does not initiate an EEPROM read

**Note 1:** When a WRERR occurs, the EEGPD and CFGS bits are not cleared. This allows tracing of the error condition.

## 8.3 Reading the Data EEPROM Memory

To read a data memory location, the user must write the address to the EEADRH:EEADR register pair, clear the EEPGD control bit (EECON1<7>) and then set control bit, RD (EECON1<0>). The data is available on the very next instruction cycle; therefore, the EEDATA register can be read by the next instruction. EEDATA will hold this value until another read operation, or until it is written to by the user (during a write operation).

The basic process is shown in Example 8-1.

## 8.4 Writing to the Data EEPROM Memory

To write an EEPROM data location, the address must first be written to the EEADRH:EEADR register pair and the data written to the EEDATA register. The sequence in Example 8-2 must be followed to initiate the write cycle.

The write will not begin if this sequence is not exactly followed (write 55h to EECON2, write 0AAh to EECON2, then set WR bit) for each byte. It is strongly recommended that interrupts be disabled during this code segment.

Additionally, the WREN bit in EECON1 must be set to enable writes. This mechanism prevents accidental writes to data EEPROM due to unexpected code execution (i.e., runaway programs). The WREN bit should be kept clear at all times, except when updating the EEPROM. The WREN bit is not cleared by hardware.

After a write sequence has been initiated, EECON1, EEADRH:EEADR and EEDATA cannot be modified. The WR bit will be inhibited from being set unless the WREN bit is set. The WREN bit must be set on a previous instruction. Both WR and WREN cannot be set with the same instruction.

At the completion of the write cycle, the WR bit is cleared in hardware and the EEPROM Interrupt Flag bit (EEIF) is set. The user may either enable this interrupt, or poll this bit. EEIF must be cleared by software.

## 8.5 Write Verify

Depending on the application, good programming practice may dictate that the value written to the memory should be verified against the original value. This should be used in applications where excessive writes can stress bits near the specification limit.

### EXAMPLE 8-1: DATA EEPROM READ

```

MOVLW DATA_EE_ADDRH ;
MOVWF EEADRH ; Upper bits of Data Memory Address to read
MOVLW DATA_EE_ADDR ;
MOVWF EEADR ; Lower bits of Data Memory Address to read
BCF EECON1, EEPGD ; Point to DATA memory
BCF EECON1, CFGS ; Access EEPROM
BSF EECON1, RD ; EEPROM Read
MOVF EEDATA, W ; W = EEDATA
    
```

### EXAMPLE 8-2: DATA EEPROM WRITE

```

MOVLW DATA_EE_ADDRH ;
MOVWF EEADRH ; Upper bits of Data Memory Address to write
MOVLW DATA_EE_ADDR ;
MOVWF EEADR ; Lower bits of Data Memory Address to write
MOVLW DATA_EE_DATA ;
MOVWF EEDATA ; Data Memory Value to write
BCF EECON1, EPGD ; Point to DATA memory
BCF EECON1, CFGS ; Access EEPROM
BSF EECON1, WREN ; Enable writes

BCF INTCON, GIE ; Disable Interrupts
MOVLW 55h ;
Required MOVWF EECON2 ; Write 55h
Sequence MOVLW 0AAh ;
MOVWF EECON2 ; Write 0AAh
BSF EECON1, WR ; Set WR bit to begin write
BSF INTCON, GIE ; Enable Interrupts

; User code execution
BCF EECON1, WREN ; Disable writes on write complete (EEIF set)
    
```

# PIC18F8722 FAMILY

## 8.6 Operation During Code-Protect

Data EEPROM memory has its own code-protect bits in Configuration Words. External read and write operations are disabled if code protection is enabled.

The microcontroller itself can both read and write to the internal data EEPROM regardless of the state of the code-protect Configuration bit. Refer to **Section 25.0 “Special Features of the CPU”** for additional information.

## 8.7 Protection Against Spurious Write

There are conditions when the device may not want to write to the data EEPROM memory. To protect against spurious EEPROM writes, various mechanisms have been implemented. On power-up, the WREN bit is cleared. In addition, writes to the EEPROM are blocked during the Power-up Timer period (TPWRT, parameter 33).

The write initiate sequence and the WREN bit together help prevent an accidental write during brown-out, power glitch or software malfunction.

## 8.8 Using the Data EEPROM

The data EEPROM is a high-endurance, byte addressable array that has been optimized for the storage of frequently changing information (e.g., program variables or other data that are updated often). Frequently changing values will typically be updated more often than specification D124. If this is not the case, an array refresh must be performed. For this reason, variables that change infrequently (such as constants, IDs, calibration, etc.) should be stored in Flash program memory.

A simple data EEPROM refresh routine is shown in Example 8-3.

**Note:** If data EEPROM is only used to store constants and/or data that changes often, an array refresh is likely not required. See specification D124.

### EXAMPLE 8-3: DATA EEPROM REFRESH ROUTINE

```
CLRF    EEADR           ; Start at address 0
CLRF    EEADRH          ;
BCF     EECON1, CFGS    ; Set for memory
BCF     EECON1, EEPGD   ; Set for Data EEPROM
BCF     INTCON, GIE     ; Disable interrupts
BSF     EECON1, WREN    ; Enable writes
Loop    ; Loop to refresh array
BSF     EECON1, RD      ; Read current address
MOVLW  55h              ;
MOVWF  EECON2          ; Write 55h
MOVLW  0AAh            ;
MOVWF  EECON2          ; Write 0AAh
BSF     EECON1, WR      ; Set WR bit to begin write
BTFSC  EECON1, WR      ; Wait for write to complete
BRA    $-2              ;
INCFSZ EEADR, F        ; Increment address
BRA    LOOP             ; Not zero, do it again
INCFSZ EEADRH, F      ; Increment the high address
BRA    LOOP             ; Not zero, do it again

BCF     EECON1, WREN    ; Disable writes
BSF     INTCON, GIE     ; Enable interrupts
```

# PIC18F8722 FAMILY

**TABLE 8-1: REGISTERS ASSOCIATED WITH DATA EEPROM MEMORY**

| Name   | Bit 7   | Bit 6     | Bit 5  | Bit 4  | Bit 3  | Bit 2  | Bit 1                             | Bit 0  | Reset Values on page |
|--------|---|-----------|--------|--------|--------|--------|-----------------------------------|--------|----------------------|
| INTCON | GIE/GIEH  | PEIE/GIEL | TMR0IE | INT0IE | RBIE   | TMR0IF | INT0IF                            | RBIF   | 57                   |
| EEADRH | —   | —         | —      | —      | —      | —      | EEPROM Address Register High Byte |        | 59                   |
| EEADR  | EEPROM Address Register Low Byte                    |           |        |        |        |        |                                   |        | 59                   |
| EEDATA | EEPROM Data Register                                |           |        |        |        |        |                                   |        | 59                   |
| EECON2 | EEPROM Control Register 2 (not a physical register) |           |        |        |        |        |                                   |        | 59                   |
| EECON1 | EEPGD   | CFG5      | —      | FREE   | WRERR  | WREN   | WR                                | RD     | 59                   |
| IPR2   | OSCFIP  | CMIP      | —      | EEIP   | BCL1IP | HLVDIP | TMR3IP                            | CCP2IP | 60                   |
| PIR2   | OSCFIF  | CMIF      | —      | EEIF   | BCL1IF | HLVDIF | TMR3IF                            | CCP2IF | 60                   |
| PIE2   | OSCFIE  | CMIE      | —      | EEIE   | BCL1IE | HLVDIE | TMR3IE                            | CCP2IE | 60                   |

**Legend:** — = unimplemented, read as '0'. Shaded cells are not used during Flash/EEPROM access.

# PIC18F8722 FAMILY

---

NOTES:

## 9.0 8 x 8 HARDWARE MULTIPLIER

### 9.1 Introduction

All PIC18 devices include an 8 x 8 hardware multiplier as part of the ALU. The multiplier performs an unsigned operation and yields a 16-bit result that is stored in the product register pair, PRODH:PRODL. The multiplier's operation does not affect any flags in the STATUS register.

Making multiplication a hardware operation allows it to be completed in a single instruction cycle. This has the advantages of higher computational throughput and reduced code size for multiplication algorithms and allows the PIC18 devices to be used in many applications previously reserved for digital signal processors. A comparison of various hardware and software multiply operations, along with the savings in memory and execution time, is shown in Table 9-1.

### 9.2 Operation

Example 9-1 shows the instruction sequence for an 8 x 8 unsigned multiplication. Only one instruction is required when one of the arguments is already loaded in the WREG register.

Example 9-2 shows the sequence to do an 8 x 8 signed multiplication. To account for the sign bits of the arguments, each argument's Most Significant bit (MSb) is tested and the appropriate subtractions are done.

#### EXAMPLE 9-1: 8 x 8 UNSIGNED MULTIPLY ROUTINE

```
MOVF  ARG1, W      ;
MULWF ARG2         ; ARG1 * ARG2 ->
                        ; PRODH:PRODL
```

#### EXAMPLE 9-2: 8 x 8 SIGNED MULTIPLY ROUTINE

```
MOVF  ARG1, W      ;
MULWF ARG2         ; ARG1 * ARG2 ->
                        ; PRODH:PRODL

BTFSC ARG2, SB    ; Test Sign Bit
SUBWF  PRODH, F   ; PRODH = PRODH
                        ; - ARG1

MOVF  ARG2, W      ;
BTFSC ARG1, SB    ; Test Sign Bit
SUBWF  PRODH, F   ; PRODH = PRODH
                        ; - ARG2
```

**TABLE 9-1: PERFORMANCE COMPARISON FOR VARIOUS MULTIPLY OPERATIONS**

| Routine          | Multiply Method           | Program Memory (Words) | Cycles (Max) | Time         |               |             |
|------------------|---------------------------|------------------------|--------------|--------------|---------------|-------------|
|                  |                           |                        |              | @ 40 MHz     | @ 10 MHz      | @ 4 MHz     |
| 8 x 8 unsigned   | Without hardware multiply | 13                     | 69           | 6.9 $\mu$ s  | 27.6 $\mu$ s  | 69 $\mu$ s  |
|                  | Hardware multiply         | 1                      | 1            | 100 ns       | 400 ns        | 1 $\mu$ s   |
| 8 x 8 signed     | Without hardware multiply | 33                     | 91           | 9.1 $\mu$ s  | 36.4 $\mu$ s  | 91 $\mu$ s  |
|                  | Hardware multiply         | 6                      | 6            | 600 ns       | 2.4 $\mu$ s   | 6 $\mu$ s   |
| 16 x 16 unsigned | Without hardware multiply | 21                     | 242          | 24.2 $\mu$ s | 96.8 $\mu$ s  | 242 $\mu$ s |
|                  | Hardware multiply         | 28                     | 28           | 2.8 $\mu$ s  | 11.2 $\mu$ s  | 28 $\mu$ s  |
| 16 x 16 signed   | Without hardware multiply | 52                     | 254          | 25.4 $\mu$ s | 102.6 $\mu$ s | 254 $\mu$ s |
|                  | Hardware multiply         | 35                     | 40           | 4.0 $\mu$ s  | 16.0 $\mu$ s  | 40 $\mu$ s  |

# PIC18F8722 FAMILY

Example 9-3 shows the sequence to do a 16 x 16 unsigned multiplication. Equation 9-1 shows the algorithm that is used. The 32-bit result is stored in four registers (RES3:RES0).

## EQUATION 9-1: 16 x 16 UNSIGNED MULTIPLICATION ALGORITHM

$$\begin{aligned} \text{RES3:RES0} &= \text{ARG1H:ARG1L} \cdot \text{ARG2H:ARG2L} \\ &= (\text{ARG1H} \cdot \text{ARG2H} \cdot 2^{16}) + \\ &\quad (\text{ARG1H} \cdot \text{ARG2L} \cdot 2^8) + \\ &\quad (\text{ARG1L} \cdot \text{ARG2H} \cdot 2^8) + \\ &\quad (\text{ARG1L} \cdot \text{ARG2L}) \end{aligned}$$

## EXAMPLE 9-3: 16 x 16 UNSIGNED MULTIPLY ROUTINE

```

MOVF ARG1L, W
MULWF ARG2L          ; ARG1L * ARG2L->
                      ; PRODH:PRODL

MOVFF PRODH, RES1   ;
MOVFF PRODL, RES0   ;
;

MOVF ARG1H, W
MULWF ARG2H          ; ARG1H * ARG2H->
                      ; PRODH:PRODL

MOVFF PRODH, RES3   ;
MOVFF PRODL, RES2   ;
;

MOVF ARG1L, W
MULWF ARG2H          ; ARG1L * ARG2H->
                      ; PRODH:PRODL

MOVF PRODL, W       ;
ADDWF RES1, F       ; Add cross
MOVF PRODH, W       ; products
ADDWFC RES2, F      ;
CLRF WREG           ;
ADDWFC RES3, F      ;
;

MOVF ARG1H, W       ;
MULWF ARG2L          ; ARG1H * ARG2L->
                      ; PRODH:PRODL

MOVF PRODL, W       ;
ADDWF RES1, F       ; Add cross
MOVF PRODH, W       ; products
ADDWFC RES2, F      ;
CLRF WREG           ;
ADDWFC RES3, F      ;

```

Example 9-4 shows the sequence to do a 16 x 16 signed multiply. Equation 9-2 shows the algorithm used. The 32-bit result is stored in four registers (RES<3:0>). To account for the sign bits of the arguments, the MSb for each argument pair is tested and the appropriate subtractions are done.

## EQUATION 9-2: 16 x 16 SIGNED MULTIPLICATION ALGORITHM

$$\begin{aligned} \text{RES3:RES0} &= \text{ARG1H:ARG1L} \cdot \text{ARG2H:ARG2L} \\ &= (\text{ARG1H} \cdot \text{ARG2H} \cdot 2^{16}) + \\ &\quad (\text{ARG1H} \cdot \text{ARG2L} \cdot 2^8) + \\ &\quad (\text{ARG1L} \cdot \text{ARG2H} \cdot 2^8) + \\ &\quad (\text{ARG1L} \cdot \text{ARG2L}) + \\ &\quad (-1 \cdot \text{ARG2H} < 7 > \cdot \text{ARG1H:ARG1L} \cdot 2^{16}) + \\ &\quad (-1 \cdot \text{ARG1H} < 7 > \cdot \text{ARG2H:ARG2L} \cdot 2^{16}) \end{aligned}$$

## EXAMPLE 9-4: 16 x 16 SIGNED MULTIPLY ROUTINE

```

MOVF ARG1L, W
MULWF ARG2L          ; ARG1L * ARG2L ->
                      ; PRODH:PRODL

MOVFF PRODH, RES1   ;
MOVFF PRODL, RES0   ;
;

MOVF ARG1H, W
MULWF ARG2H          ; ARG1H * ARG2H ->
                      ; PRODH:PRODL

MOVFF PRODH, RES3   ;
MOVFF PRODL, RES2   ;
;

MOVF ARG1L, W
MULWF ARG2H          ; ARG1L * ARG2H ->
                      ; PRODH:PRODL

MOVF PRODL, W       ;
ADDWF RES1, F       ; Add cross
MOVF PRODH, W       ; products
ADDWFC RES2, F      ;
CLRF WREG           ;
ADDWFC RES3, F      ;
;

MOVF ARG1H, W       ;
MULWF ARG2L          ; ARG1H * ARG2L ->
                      ; PRODH:PRODL

MOVF PRODL, W       ;
ADDWF RES1, F       ; Add cross
MOVF PRODH, W       ; products
ADDWFC RES2, F      ;
CLRF WREG           ;
ADDWFC RES3, F      ;
;

BTFSS ARG2H, 7      ; ARG2H:ARG2L neg?
BRA SIGN_ARG1       ; no, check ARG1
MOVF ARG1L, W       ;
SUBWF RES2          ;
MOVF ARG1H, W       ;
SUBWFB RES3         ;
;

SIGN_ARG1
BTFSS ARG1H, 7      ; ARG1H:ARG1L neg?
BRA CONT_CODE       ; no, done
MOVF ARG2L, W       ;
SUBWF RES2          ;
MOVF ARG2H, W       ;
SUBWFB RES3         ;
;

CONT_CODE
:

```



## 10.0 INTERRUPTS

The PIC18F8722 family of devices have multiple interrupt sources and an interrupt priority feature that allows most interrupt sources to be assigned a high-priority level or a low-priority level. The high-priority interrupt vector is at 0008h and the low-priority interrupt vector is at 0018h. High-priority interrupt events will interrupt any low-priority interrupts that may be in progress.

There are ten registers which are used to control interrupt operation. These registers are:

- RCON
- INTCON
- INTCON2
- INTCON3
- PIR1, PIR2, PIR3
- PIE1, PIE2, PIE3
- IPR1, IPR2, IPR3

It is recommended that the Microchip header files supplied with MPLAB® IDE be used for the symbolic bit names in these registers. This allows the assembler/compiler to automatically take care of the placement of these bits within the specified register.

In general, interrupt sources have three bits to control their operation. They are:

- **Flag bit** to indicate that an interrupt event occurred
- **Enable bit** that allows program execution to branch to the interrupt vector address when the flag bit is set
- **Priority bit** to select high priority or low priority

The interrupt priority feature is enabled by setting the IPEN bit (RCON<7>). When interrupt priority is enabled, there are two bits which enable interrupts globally. Setting the GIEH bit (INTCON<7>) enables all interrupts that have the priority bit set (high priority). Setting the GIEL bit (INTCON<6>) enables all interrupts that have the priority bit cleared (low priority). When the interrupt flag, enable bit and appropriate global interrupt enable bit are set, the interrupt will vector immediately to address 0008h or 0018h, depending on the priority bit setting. Individual interrupts can be disabled through their corresponding enable bits.

When the IPEN bit is cleared (default state), the interrupt priority feature is disabled and interrupts are compatible with PIC® mid-range devices. In Compatibility mode, the interrupt priority bits for each source have no effect. INTCON<6> is the PEIE bit, which enables/disables all peripheral interrupt sources. INTCON<7> is the GIE bit, which enables/disables all interrupt sources. All interrupts branch to address 0008h in Compatibility mode.

When an interrupt is responded to, the global interrupt enable bit is cleared to disable further interrupts. If the IPEN bit is cleared, this is the GIE bit. If interrupt priority levels are used, this will be either the GIEH or GIEL bit. High-priority interrupt sources can interrupt a low-priority interrupt. Low-priority interrupts are not processed while high-priority interrupts are in progress.

The return address is pushed onto the stack and the PC is loaded with the interrupt vector address (0008h or 0018h). Once in the Interrupt Service Routine, the source(s) of the interrupt can be determined by polling the interrupt flag bits. The interrupt flag bits must be cleared in software before re-enabling interrupts to avoid recursive interrupts.

The “return from interrupt” instruction, `RETFIE`, exits the interrupt routine and sets the GIE bit (GIEH or GIEL if priority levels are used), which re-enables interrupts.

For external interrupt events, such as the INTx pins or the PORTB input change interrupt, the interrupt latency will be three to four instruction cycles. The exact latency is the same for one or two-cycle instructions. Individual interrupt flag bits are set, regardless of the status of their corresponding enable bit or the GIE bit.

|   |
|---|
| <b>Note:</b> Do not use the <code>MOVFF</code> instruction to modify any of the interrupt control registers while <b>any</b> interrupt is enabled. Doing so may cause erratic microcontroller behavior. |
|---|

# PIC18F8722 FAMILY

FIGURE 10-1: PIC18F8722 FAMILY INTERRUPT LOGIC



# PIC18F8722 FAMILY

## 10.1 INTCON Registers

The INTCON registers are readable and writable registers which contain various enable, priority and flag bits.

**Note:** Interrupt flag bits are set when an interrupt condition occurs, regardless of the state of its corresponding enable bit or the global interrupt enable bit. User software should ensure the appropriate interrupt flag bits are clear prior to enabling an interrupt. This feature allows for software polling.

### REGISTER 10-1: INTCON: INTERRUPT CONTROL REGISTER

|          |           |        |        |       |        |        |                     |
|----------|-----------|--------|--------|-------|--------|--------|---------------------|
| R/W-0    | R/W-0     | R/W-0  | R/W-0  | R/W-0 | R/W-0  | R/W-0  | R/W-x               |
| GIE/GIEH | PEIE/GIEL | TMR0IE | INT0IE | RBIE  | TMR0IF | INT0IF | RBIF <sup>(1)</sup> |
| bit 7    |           |        |        |       |        |        | bit 0               |

#### Legend:

|                   |                  |  |
|-------------------|------------------|--|
| R = Readable bit  | W = Writable bit | U = Unimplemented bit, read as '0'           |
| -n = Value at POR | '1' = Bit is set | '0' = Bit is cleared      x = Bit is unknown |

- bit 7      **GIE/GIEH:** Global Interrupt Enable bit  
When IPEN = 0:  
 1 = Enables all unmasked interrupts  
 0 = Disables all interrupts  
When IPEN = 1:  
 1 = Enables all high-priority interrupts  
 0 = Disables all interrupts
- bit 6      **PEIE/GIEL:** Peripheral Interrupt Enable bit  
When IPEN = 0:  
 1 = Enables all unmasked peripheral interrupts  
 0 = Disables all peripheral interrupts  
When IPEN = 1:  
 1 = Enables all low-priority peripheral interrupts  
 0 = Disables all low-priority peripheral interrupts
- bit 5      **TMR0IE:** TMR0 Overflow Interrupt Enable bit  
 1 = Enables the TMR0 overflow interrupt  
 0 = Disables the TMR0 overflow interrupt
- bit 4      **INT0IE:** INT0 External Interrupt Enable bit  
 1 = Enables the INT0 external interrupt  
 0 = Disables the INT0 external interrupt
- bit 3      **RBIE:** RB Port Change Interrupt Enable bit  
 1 = Enables the RB port change interrupt  
 0 = Disables the RB port change interrupt
- bit 2      **TMR0IF:** TMR0 Overflow Interrupt Flag bit  
 1 = TMR0 register has overflowed (must be cleared in software)  
 0 = TMR0 register did not overflow
- bit 1      **INT0IF:** INT0 External Interrupt Flag bit  
 1 = The INT0 external interrupt occurred (must be cleared in software)  
 0 = The INT0 external interrupt did not occur
- bit 0      **RBIF:** RB Port Change Interrupt Flag bit<sup>(1)</sup>  
 1 = At least one of the RB7:RB4 pins changed state (must be cleared in software)  
 0 = None of the RB7:RB4 pins have changed state

**Note 1:** A mismatch condition will continue to set this bit. Reading PORTB will end the mismatch condition and allow the bit to be cleared.

# PIC18F8722 FAMILY

## REGISTER 10-2: INTCON2: INTERRUPT CONTROL REGISTER 2

| R/W-1                           | R/W-1   | R/W-1   | R/W-1   | R/W-1   | R/W-1  | R/W-1  | R/W-1 |
|---------------------------------|---------|---------|---------|---------|--------|--------|-------|
| $\overline{\text{RBP}}\text{U}$ | INTEDG0 | INTEDG1 | INTEDG2 | INTEDG3 | TMR0IP | INT3IP | RBIP  |
| bit 7                           |         |         |         |         |        |        | bit 0 |

### Legend:

R = Readable bit                      W = Writable bit                      U = Unimplemented bit, read as '0'  
 -n = Value at POR                      '1' = Bit is set                      '0' = Bit is cleared                      x = Bit is unknown

- bit 7                       **$\overline{\text{RBP}}\text{U}$** : PORTB Pull-up Enable bit  
                             1 = All PORTB pull-ups are disabled  
                             0 = PORTB pull-ups are enabled by individual port latch values
- bit 6                      **INTEDG0**: External Interrupt 0 Edge Select bit  
                             1 = Interrupt on rising edge  
                             0 = Interrupt on falling edge
- bit 5                      **INTEDG1**: External Interrupt 1 Edge Select bit  
                             1 = Interrupt on rising edge  
                             0 = Interrupt on falling edge
- bit 4                      **INTEDG2**: External Interrupt 2 Edge Select bit  
                             1 = Interrupt on rising edge  
                             0 = Interrupt on falling edge
- bit 3                      **INTEDG3**: External Interrupt 3 Edge Select bit  
                             1 = Interrupt on rising edge  
                             0 = Interrupt on falling edge
- bit 2                      **TMR0IP**: TMR0 Overflow Interrupt Priority bit  
                             1 = High priority  
                             0 = Low priority
- bit 1                      **INT3IP**: INT3 External Interrupt Priority bit  
                             1 = High priority  
                             0 = Low priority
- bit 0                      **RBIP**: RB Port Change Interrupt Priority bit  
                             1 = High priority  
                             0 = Low priority

**Note:** Interrupt flag bits are set when an interrupt condition occurs, regardless of the state of its corresponding enable bit or the global interrupt enable bit. User software should ensure the appropriate interrupt flag bits are clear prior to enabling an interrupt. This feature allows for software polling.

# PIC18F8722 FAMILY

## REGISTER 10-3: INTCON3: INTERRUPT CONTROL REGISTER 3

|        |        |        |        |        |        |        |        |
|--------|--------|--------|--------|--------|--------|--------|--------|
| R/W-1  | R/W-1  | R/W-0  | R/W-0  | R/W-0  | R/W-0  | R/W-0  | R/W-0  |
| INT2IP | INT1IP | INT3IE | INT2IE | INT1IE | INT3IF | INT2IF | INT1IF |
| bit 7  |        |        |        |        |        |        | bit 0  |

### Legend:

R = Readable bit                      W = Writable bit                      U = Unimplemented bit, read as '0'  
 -n = Value at POR                      '1' = Bit is set                      '0' = Bit is cleared                      x = Bit is unknown

- bit 7            **INT2IP:** INT2 External Interrupt Priority bit  
                   1 = High priority  
                   0 = Low priority
- bit 6            **INT1IP:** INT1 External Interrupt Priority bit  
                   1 = High priority  
                   0 = Low priority
- bit 5            **INT3IE:** INT3 External Interrupt Enable bit  
                   1 = Enables the INT3 external interrupt  
                   0 = Disables the INT3 external interrupt
- bit 4            **INT2IE:** INT2 External Interrupt Enable bit  
                   1 = Enables the INT2 external interrupt  
                   0 = Disables the INT2 external interrupt
- bit 3            **INT1IE:** INT1 External Interrupt Enable bit  
                   1 = Enables the INT1 external interrupt  
                   0 = Disables the INT1 external interrupt
- bit 2            **INT3IF:** INT3 External Interrupt Flag bit  
                   1 = The INT3 external interrupt occurred (must be cleared in software)  
                   0 = The INT3 external interrupt did not occur
- bit 1            **INT2IF:** INT2 External Interrupt Flag bit  
                   1 = The INT2 external interrupt occurred (must be cleared in software)  
                   0 = The INT2 external interrupt did not occur
- bit 0            **INT1IF:** INT1 External Interrupt Flag bit  
                   1 = The INT1 external interrupt occurred (must be cleared in software)  
                   0 = The INT1 external interrupt did not occur

**Note:** Interrupt flag bits are set when an interrupt condition occurs, regardless of the state of its corresponding enable bit or the global interrupt enable bit. User software should ensure the appropriate interrupt flag bits are clear prior to enabling an interrupt. This feature allows for software polling.

# PIC18F8722 FAMILY

## 10.2 PIR Registers

The PIR registers contain the individual flag bits for the peripheral interrupts. Due to the number of peripheral interrupt sources, there are three Peripheral Interrupt Request (Flag) registers (PIR1, PIR2, PIR3).

**Note 1:** Interrupt flag bits are set when an interrupt condition occurs, regardless of the state of its corresponding enable bit or the Global Interrupt Enable bit, GIE (INTCON<7>).

**2:** User software should ensure the appropriate interrupt flag bits are cleared prior to enabling an interrupt and after servicing that interrupt.

### REGISTER 10-4: PIR1: PERIPHERAL INTERRUPT REQUEST (FLAG) REGISTER 1

|       |       |       |       |        |        |        |        |
|-------|-------|-------|-------|--------|--------|--------|--------|
| R/W-0 | R/W-0 | R-0   | R-0   | R/W-0  | R/W-0  | R/W-0  | R/W-0  |
| PSPIF | ADIF  | RC1IF | TX1IF | SSP1IF | CCP1IF | TMR2IF | TMR1IF |
| bit 7 |       |       |       |        |        | bit 0  |        |

#### Legend:

R = Readable bit

W = Writable bit

U = Unimplemented bit, read as '0'

-n = Value at POR

'1' = Bit is set

'0' = Bit is cleared

x = Bit is unknown

- bit 7      **PSPIF:** Parallel Slave Port Read/Write Interrupt Flag bit  
 1 = A read or a write operation has taken place (must be cleared in software)  
 0 = No read or write has occurred
- bit 6      **ADIF:** A/D Converter Interrupt Flag bit  
 1 = An A/D conversion completed (must be cleared in software)  
 0 = The A/D conversion is not complete
- bit 5      **RC1IF:** EUSART1 Receive Interrupt Flag bit  
 1 = The EUSART1 receive buffer, RCREG1, is full (cleared when RCREG1 is read)  
 0 = The EUSART1 receive buffer is empty
- bit 4      **TX1IF:** EUSART1 Transmit Interrupt Flag bit  
 1 = The EUSART1 transmit buffer, TXREG1, is empty (cleared when TXREG1 is written)  
 0 = The EUSART1 transmit buffer is full
- bit 3      **SSP1IF:** MSSP1 Interrupt Flag bit  
 1 = The transmission/reception is complete (must be cleared in software)  
 0 = Waiting to transmit/receive
- bit 2      **CCP1IF:** ECCP1 Interrupt Flag bit  
Capture mode:  
 1 = A TMR1/TMR3 register capture occurred (must be cleared in software)  
 0 = No TMR1/TMR3 register capture occurred  
Compare mode:  
 1 = A TMR1/TMR3 register compare match occurred (must be cleared in software)  
 0 = No TMR1/TMR3 register compare match occurred  
PWM mode:  
 Unused in this mode.
- bit 1      **TMR2IF:** TMR2 to PR2 Match Interrupt Flag bit  
 1 = TMR2 to PR2 match occurred (must be cleared in software)  
 0 = No TMR2 to PR2 match occurred
- bit 0      **TMR1IF:** TMR1 Overflow Interrupt Flag bit  
 1 = TMR1 register overflowed (must be cleared in software)  
 0 = TMR1 register did not overflow

# PIC18F8722 FAMILY

## REGISTER 10-5: PIR2: PERIPHERAL INTERRUPT REQUEST (FLAG) REGISTER 2

|        |       |     |       |        |        |        |        |
|--------|-------|-----|-------|--------|--------|--------|--------|
| R/W-0  | R/W-0 | U-0 | R/W-0 | R/W-0  | R/W-0  | R/W-0  | R/W-0  |
| OSCFIF | CMIF  | —   | EEIF  | BCL1IF | HLVDIF | TMR3IF | CCP2IF |
| bit 7  |       |     |       |        |        |        | bit 0  |

### Legend:

R = Readable bit

W = Writable bit

U = Unimplemented bit, read as '0'

-n = Value at POR

'1' = Bit is set

'0' = Bit is cleared

x = Bit is unknown

|       |  |
|-------|--|
| bit 7 | <p><b>OSCFIF:</b> Oscillator Fail Interrupt Flag bit</p> <p>1 = Device oscillator failed, clock input has changed to INTOSC (must be cleared in software)</p> <p>0 = Device clock operating</p>  |
| bit 6 | <p><b>CMIF:</b> Comparator Interrupt Flag bit</p> <p>1 = Comparator input has changed (must be cleared in software)</p> <p>0 = Comparator input has not changed</p>  |
| bit 5 | <p><b>Unimplemented:</b> Read as '0'</p>   |
| bit 4 | <p><b>EEIF:</b> EEPROM or Flash Write Operation Interrupt Flag bit</p> <p>1 = The write operation is complete (must be cleared in software)</p> <p>0 = The write operation is not complete or has not been started</p>   |
| bit 3 | <p><b>BCL1IF:</b> MSSP1 Bus Collision Interrupt Flag bit</p> <p>1 = A bus collision occurred while the MSSP1 module configured in I<sup>2</sup>C™ Master mode was transmitting (must be cleared in software)</p> <p>0 = No bus collision occurred</p>  |
| bit 2 | <p><b>HLVDIF:</b> High/Low-Voltage Detect Interrupt Flag bit</p> <p>1 = A low-voltage condition occurred (must be cleared in software)</p> <p>0 = The device voltage is above the Low-Voltage Detect trip point</p>  |
| bit 1 | <p><b>TMR3IF:</b> TMR3 Overflow Interrupt Flag bit</p> <p>1 = TMR3 register overflowed (must be cleared in software)</p> <p>0 = TMR3 register did not overflow</p>   |
| bit 0 | <p><b>CCP2IF:</b> ECCP2 Interrupt Flag bit</p> <p><u>Capture mode:</u></p> <p>1 = A TMR1/TMR3 register capture occurred (must be cleared in software)</p> <p>0 = No TMR1/TMR3 register capture occurred</p> <p><u>Compare mode:</u></p> <p>1 = A TMR1/TMR3 register compare match occurred (must be cleared in software)</p> <p>0 = No TMR1/TMR3 register compare match occurred</p> <p><u>PWM mode:</u></p> <p>Unused in this mode.</p> |

# PIC18F8722 FAMILY

## REGISTER 10-6: PIR3: PERIPHERAL INTERRUPT REQUEST (FLAG) REGISTER 3

|        |        |       |       |        |        |        |        |
|--------|--------|-------|-------|--------|--------|--------|--------|
| R/W-0  | R/W-0  | R-0   | R-0   | R/W-0  | R/W-0  | R/W-0  | R/W-0  |
| SSP2IF | BCL2IF | RC2IF | TX2IF | TMR4IF | CCP5IF | CCP4IF | CCP3IF |
| bit 7  |        |       |       |        |        |        | bit 0  |

### Legend:

|                   |                  |                                    |
|-------------------|------------------|------------------------------------|
| R = Readable bit  | W = Writable bit | U = Unimplemented bit, read as '0' |
| -n = Value at POR | '1' = Bit is set | '0' = Bit is cleared               |
|                   |                  | x = Bit is unknown                 |

- bit 7      **SSP2IF:** MSSP2 Interrupt Flag bit  
 1 = The transmission/reception is complete (must be cleared in software)  
 0 = Waiting to transmit/receive
- bit 6      **BCL2IF:** MSSP2 Bus Collision Interrupt Flag bit  
 1 = A bus collision has occurred while the MSSP2 module configured in I<sup>2</sup>C™ master was transmitting (must be cleared in software)  
 0 = No bus collision occurred
- bit 5      **RC2IF:** EUSART2 Receive Interrupt Flag bit  
 1 = The EUSART2 receive buffer, RCREG2, is full (cleared when RCREG2 is read)  
 0 = The EUSART2 receive buffer is empty
- bit 4      **TX2IF:** EUSART2 Transmit Interrupt Flag bit  
 1 = The EUSART2 transmit buffer, TXREG2, is empty (cleared when TXREG2 is written)  
 0 = The EUSART2 transmit buffer is full
- bit 3      **TMR4IF:** TMR4 to PR4 Match Interrupt Flag bit  
 1 = TMR4 to PR4 match occurred (must be cleared in software)  
 0 = No TMR4 to PR4 match occurred
- bit 2      **CCP5IF:** CCP5 Interrupt Flag bit  
Capture mode:  
 1 = A TMR register capture occurred (must be cleared in software)  
 0 = No TMR register capture occurred  
Compare mode:  
 1 = A TMR register compare match occurred (must be cleared in software)  
 0 = No TMR register compare match occurred  
PWM Mode:
- bit 1      **CCP4IF:** CCP4 Interrupt Flag bit  
Capture mode:  
 1 = A TMR register capture occurred (must be cleared in software)  
 0 = No TMR register capture occurred  
Compare mode:  
 1 = A TMR register compare match occurred (must be cleared in software)  
 0 = No TMR register compare match occurred  
PWM mode:  
 Not used in PWM mode.
- bit 0      **CCP3IF:** ECCP3 Interrupt Flag bit  
Capture mode:  
 1 = A TMR register capture occurred (must be cleared in software)  
 0 = No TMR register capture occurred  
Compare mode:  
 1 = A TMR register compare match occurred (must be cleared in software)  
 0 = No TMR register compare match occurred  
PWM mode:  
 Not used in PWM mode.



## 10.3 PIE Registers

The PIE registers contain the individual enable bits for the peripheral interrupts. Due to the number of peripheral interrupt sources, there are three Peripheral Interrupt Enable registers (PIE1, PIE2, PIE3). When IPEN = 0, the PEIE bit must be set to enable any of these peripheral interrupts.

### REGISTER 10-7: PIE1: PERIPHERAL INTERRUPT ENABLE REGISTER 1

|       |       |       |       |        |        |        |        |
|-------|-------|-------|-------|--------|--------|--------|--------|
| R/W-0 | R/W-0 | R/W-0 | R/W-0 | R/W-0  | R/W-0  | R/W-0  | R/W-0  |
| PSPIE | ADIE  | RC1IE | TX1IE | SSP1IE | CCP1IE | TMR2IE | TMR1IE |
| bit 7 |       |       |       |        |        |        | bit 0  |

#### Legend:

|                   |                  |                                    |
|-------------------|------------------|------------------------------------|
| R = Readable bit  | W = Writable bit | U = Unimplemented bit, read as '0' |
| -n = Value at POR | '1' = Bit is set | '0' = Bit is cleared               |
|                   |                  | x = Bit is unknown                 |

- bit 7      **PSPIE:** Parallel Slave Port Read/Write Interrupt Enable bit  
 1 = Enables the PSP read/write interrupt  
 0 = Disables the PSP read/write interrupt
- bit 6      **ADIE:** A/D Converter Interrupt Enable bit  
 1 = Enables the A/D interrupt  
 0 = Disables the A/D interrupt
- bit 5      **RC1IE:** EUSART1 Receive Interrupt Enable bit  
 1 = Enables the EUSART1 receive interrupt  
 0 = Disables the EUSART1 receive interrupt
- bit 4      **TX1IE:** EUSART1 Transmit Interrupt Enable bit  
 1 = Enables the EUSART1 transmit interrupt  
 0 = Disables the EUSART1 transmit interrupt
- bit 3      **SSP1IE:** MSSP1 Interrupt Enable bit  
 1 = Enables the MSSP1 interrupt  
 0 = Disables the MSSP1 interrupt
- bit 2      **CCP1IE:** ECCP1 Interrupt Enable bit  
 1 = Enables the ECCP1 interrupt  
 0 = Disables the ECCP1 interrupt
- bit 1      **TMR2IE:** TMR2 to PR2 Match Interrupt Enable bit  
 1 = Enables the TMR2 to PR2 match interrupt  
 0 = Disables the TMR2 to PR2 match interrupt
- bit 0      **TMR1IE:** TMR1 Overflow Interrupt Enable bit  
 1 = Enables the TMR1 overflow interrupt  
 0 = Disables the TMR1 overflow interrupt

# PIC18F8722 FAMILY

## REGISTER 10-8: PIE2: PERIPHERAL INTERRUPT ENABLE REGISTER 2

|        |       |     |       |        |        |        |        |
|--------|-------|-----|-------|--------|--------|--------|--------|
| R/W-0  | R/W-0 | U-0 | R/W-0 | R/W-0  | R/W-0  | R/W-0  | R/W-0  |
| OSCFIE | CMIE  | —   | EEIE  | BCL1IE | HLVDIE | TMR3IE | CCP2IE |
| bit 7  |       |     |       |        |        |        | bit 0  |

### Legend:

R = Readable bit

W = Writable bit

U = Unimplemented bit, read as '0'

-n = Value at POR

'1' = Bit is set

'0' = Bit is cleared

x = Bit is unknown

- bit 7      **OSCFIE:** Oscillator Fail Interrupt Enable bit  
1 = Enabled  
0 = Disabled
- bit 6      **CMIE:** Comparator Interrupt Enable bit  
1 = Enabled  
0 = Disabled
- bit 5      **Unimplemented:** Read as '0'
- bit 4      **EEIE:** Interrupt Enable bit  
1 = Enabled  
0 = Disabled
- bit 3      **BCL1IE:** MSSP1 Bus Collision Interrupt Enable bit  
1 = Enabled  
0 = Disabled
- bit 2      **HLVDIE:** High/Low-Voltage Detect Interrupt Enable bit  
1 = Enabled  
0 = Disabled
- bit 1      **TMR3IE:** TMR3 Overflow Interrupt Enable bit  
1 = Enabled  
0 = Disabled
- bit 0      **CCP2IE:** ECCP2 Interrupt Enable bit  
1 = Enabled  
0 = Disabled

# PIC18F8722 FAMILY

## REGISTER 10-9: PIE3: PERIPHERAL INTERRUPT ENABLE REGISTER 3

|        |        |       |       |        |        |        |        |
|--------|--------|-------|-------|--------|--------|--------|--------|
| R/W-0  | R/W-0  | R-0   | R-0   | R/W-0  | R/W-0  | R/W-0  | R/W-0  |
| SSP2IE | BCL2IE | RC2IE | TX2IE | TMR4IE | CCP5IE | CCP4IE | CCP3IE |
| bit 7  |        |       |       |        |        |        | bit 0  |

### Legend:

|                   |                  |                                    |
|-------------------|------------------|------------------------------------|
| R = Readable bit  | W = Writable bit | U = Unimplemented bit, read as '0' |
| -n = Value at POR | '1' = Bit is set | '0' = Bit is cleared               |
|                   |                  | x = Bit is unknown                 |

- bit 7      **SSP2IE:** MSSP2 Interrupt Enable bit  
1 = Enables the MSSP2 interrupt  
0 = Disables the MSSP2 interrupt
- bit 6      **BCL2IE:** MSSP2 Bus Collision Interrupt Enable bit  
1 = Enabled  
0 = Disabled
- bit 5      **RC2IE:** EUSART2 Receive Interrupt Enable bit  
1 = Enabled  
0 = Disabled
- bit 4      **TX2IE:** EUSART2 Transmit Interrupt Enable bit  
1 = Enabled  
0 = Disabled
- bit 3      **TMR4IE:** TMR4 to PR4 Match Interrupt Enable bit  
1 = Enabled  
0 = Disabled
- bit 2      **CCP5IE:** CCP5 Interrupt Enable bit  
1 = Enabled  
0 = Disabled
- bit 1      **CCP4IE:** CCP4 Interrupt Enable bit  
1 = Enabled  
0 = Disabled
- bit 0      **CCP3IE:** ECCP3 Interrupt Enable bit  
1 = Enabled  
0 = Disabled

# PIC18F8722 FAMILY

## 10.4 IPR Registers

The IPR registers contain the individual priority bits for the peripheral interrupts. Due to the number of peripheral interrupt sources, there are three Peripheral Interrupt Priority registers (IPR1, IPR2, IPR3). Using the priority bits requires that the Interrupt Priority Enable (IPEN) bit be set.

### REGISTER 10-10: IPR1: PERIPHERAL INTERRUPT PRIORITY REGISTER 1

| R/W-1 | R/W-1 | R/W-1 | R/W-1 | R/W-1  | R/W-1  | R/W-1  | R/W-1  |
|-------|-------|-------|-------|--------|--------|--------|--------|
| PSP1P | AD1P  | RC11P | TX11P | SSP11P | CCP11P | TMR21P | TMR11P |
| bit 7 |       |       |       |        |        |        | bit 0  |

#### Legend:

R = Readable bit

W = Writable bit

U = Unimplemented bit, read as '0'

-n = Value at POR

'1' = Bit is set

'0' = Bit is cleared

x = Bit is unknown

bit 7 **PSP1P:** Parallel Slave Port Read/Write Interrupt Priority bit

1 = High priority

0 = Low priority

bit 6 **AD1P:** A/D Converter Interrupt Priority bit

1 = High priority

0 = Low priority

bit 5 **RC11P:** EUSART1 Receive Interrupt Priority bit

1 = High priority

0 = Low priority

bit 4 **TX11P:** EUSART1 Transmit Interrupt Priority bit

1 = High priority

0 = Low priority

bit 3 **SSP11P:** MSSP1 Interrupt Priority bit

1 = High priority

0 = Low priority

bit 2 **CCP11P:** ECCP1 Interrupt Priority bit

1 = High priority

0 = Low priority

bit 1 **TMR21P:** TMR2 to PR2 Match Interrupt Priority bit

1 = High priority

0 = Low priority

bit 0 **TMR11P:** TMR1 Overflow Interrupt Priority bit

1 = High priority

0 = Low priority

# PIC18F8722 FAMILY

## REGISTER 10-11: IPR2: PERIPHERAL INTERRUPT PRIORITY REGISTER 2

|        |       |     |       |        |        |        |        |
|--------|-------|-----|-------|--------|--------|--------|--------|
| R/W-1  | R/W-1 | U-0 | R/W-1 | R/W-1  | R/W-1  | R/W-1  | R/W-1  |
| OSCFIP | CMIP  | —   | EEIP  | BCL1IP | HLVDIP | TMR3IP | CCP2IP |
| bit 7  |       |     |       |        |        |        | bit 0  |

### Legend:

|                   |                  |                                    |
|-------------------|------------------|------------------------------------|
| R = Readable bit  | W = Writable bit | U = Unimplemented bit, read as '0' |
| -n = Value at POR | '1' = Bit is set | '0' = Bit is cleared               |
|                   |                  | x = Bit is unknown                 |

- bit 7      **OSCFIP:** Oscillator Fail Interrupt Priority bit  
           1 = High priority  
           0 = Low priority
- bit 6      **CMIP:** Comparator Interrupt Priority bit  
           1 = High priority  
           0 = Low priority
- bit 5      **Unimplemented:** Read as '0'
- bit 4      **EEIP:** Interrupt Priority bit  
           1 = High priority  
           0 = Low priority
- bit 3      **BCL1IP:** MSSP1 Bus Collision Interrupt Priority bit  
           1 = High priority  
           0 = Low priority
- bit 2      **HLVDIP:** High/Low-Voltage Detect Interrupt Priority bit  
           1 = High priority  
           0 = Low priority
- bit 1      **TMR3IP:** TMR3 Overflow Interrupt Priority bit  
           1 = High priority  
           0 = Low priority
- bit 0      **CCP2IP:** ECCP2 Interrupt Priority bit  
           1 = High priority  
           0 = Low priority

# PIC18F8722 FAMILY

## REGISTER 10-12: IPR3: PERIPHERAL INTERRUPT PRIORITY REGISTER 3

| R/W-0  | R/W-0  | R/W-1 | R/W-1 | R/W-1  | R/W-1  | R/W-1  | R/W-1  |
|--------|--------|-------|-------|--------|--------|--------|--------|
| SSP2IP | BCL2IP | RC2IP | TX2IP | TMR4IP | CCP5IP | CCP4IP | CCP3IP |
| bit 7  |        |       |       |        |        |        | bit 0  |

### Legend:

R = Readable bit

W = Writable bit

U = Unimplemented bit, read as '0'

-n = Value at POR

'1' = Bit is set

'0' = Bit is cleared

x = Bit is unknown

- bit 7      **SSP2IP:** MSSP2 Interrupt Priority bit  
          1 = High priority  
          0 = Low priority
- bit 6      **BCL2IP:** MSSP2 Bus Collision Interrupt Priority bit  
          1 = High priority  
          0 = Low priority
- bit 5      **RC2IP:** EUSART2 Receive Interrupt Priority bit  
          1 = High priority  
          0 = Low priority
- bit 4      **TX2IP:** EUSART2 Transmit Interrupt Priority bit  
          1 = High priority  
          0 = Low priority
- bit 3      **TMR4IP:** TMR4 to PR4 Match Interrupt Priority bit  
          1 = High priority  
          0 = Low priority
- bit 2      **CCP5IP:** CCP5 Interrupt Priority bit  
          1 = High priority  
          0 = Low priority
- bit 1      **CCP4IP:** CCP4 Interrupt Priority bit  
          1 = High priority  
          0 = Low priority
- bit 0      **CCP3IP:** ECCP3 Interrupt Priority bit  
          1 = High priority  
          0 = Low priority

## 10.5 RCON Register

The RCON register contains bits used to determine the cause of the last Reset or wake-up from Idle or Sleep modes. RCON also contains the bit that enables interrupt priorities (IPEN).

### REGISTER 10-13: RCON: RESET CONTROL REGISTER

|       |        |     |                 |                 |                 |                  |                  |
|-------|--------|-----|-----------------|-----------------|-----------------|------------------|------------------|
| R/W-0 | R/W-1  | U-0 | R/W-1           | R-1             | R-1             | R/W-0            | R/W-0            |
| IPEN  | SBOREN | —   | $\overline{RI}$ | $\overline{TO}$ | $\overline{PD}$ | $\overline{POR}$ | $\overline{BOR}$ |
| bit 7 |        |     |                 |                 |                 | bit 0            |                  |

#### Legend:

|                   |                  |  |
|-------------------|------------------|--|
| R = Readable bit  | W = Writable bit | U = Unimplemented bit, read as '0'           |
| -n = Value at POR | '1' = Bit is set | '0' = Bit is cleared      x = Bit is unknown |

- bit 7      **IPEN:** Interrupt Priority Enable bit  
           1 = Enable priority levels on interrupts  
           0 = Disable priority levels on interrupts (PIC16CXXX Compatibility mode)
- bit 6      **SBOREN:** Software BOR Enable bit  
           For details of bit operation and Reset state, see Register 4-1.
- bit 5      **Unimplemented:** Read as '0'
- bit 4       **$\overline{RI}$ :**  $\overline{RESET}$  Instruction Flag bit  
           For details of bit operation, see Register 4-1.
- bit 3       **$\overline{TO}$ :** Watchdog Timer Time-out Flag bit  
           For details of bit operation, see Register 4-1.
- bit 2       **$\overline{PD}$ :** Power-Down Detection Flag bit  
           For details of bit operation, see Register 4-1.
- bit 1       **$\overline{POR}$ :** Power-on Reset Status bit  
           For details of bit operation, see Register 4-1.
- bit 0       **$\overline{BOR}$ :** Brown-out Reset Status bit  
           For details of bit operation, see Register 4-1.

# PIC18F8722 FAMILY

## 10.6 INTx Pin Interrupts

External interrupts on the RB0/INT0, RB1/INT1, RB2/INT2 and RB3/INT3 pins are edge-triggered. If the corresponding INTEDGx bit in the INTCON2 register is set (= 1), the interrupt is triggered by a rising edge; if the bit is clear, the trigger is on the falling edge. When a valid edge appears on the RBx/INTx pin, the corresponding flag bit, INTxIF, is set. This interrupt can be disabled by clearing the corresponding enable bit, INTxIE. Flag bit, INTxIF, must be cleared in software in the Interrupt Service Routine before re-enabling the interrupt.

All external interrupts (INT0, INT1, INT2 and INT3) can wake-up the processor from the power-managed modes if bit INTxIE was set prior to going into power-managed modes. If the Global Interrupt Enable bit, GIE, is set, the processor will branch to the interrupt vector following wake-up.

Interrupt priority for INT1, INT2 and INT3 is determined by the value contained in the interrupt priority bits, INT1IP (INTCON3<6>), INT2IP (INTCON3<7>) and INT3IP (INTCON2<1>). There is no priority bit associated with INT0. It is always a high-priority interrupt source.

## 10.7 TMR0 Interrupt

In 8-bit mode (which is the default), an overflow in the TMR0 register (FFh → 00h) will set flag bit, TMR0IF. In 16-bit mode, an overflow in the TMR0H:TMR0L register pair (FFFFh → 0000h) will set TMR0IF. The interrupt can be enabled/disabled by setting/clearing enable bit, TMR0IE (INTCON<5>). Interrupt priority for Timer0 is determined by the value contained in the interrupt priority bit, TMR0IP (INTCON2<2>). See **Section 12.0 “Timer0 Module”** for further details on the Timer0 module.

## 10.8 PORTB Interrupt-on-Change

An input change on PORTB<7:4> sets flag bit, RBIF (INTCON<0>). The interrupt can be enabled/disabled by setting/clearing enable bit, RBIE (INTCON<3>). Interrupt priority for PORTB interrupt-on-change is determined by the value contained in the interrupt priority bit, RBIP (INTCON2<0>).

## 10.9 Context Saving During Interrupts

During interrupts, the return PC address is saved on the stack. Additionally, the WREG, STATUS and BSR registers are saved on the fast return stack. If a fast return from interrupt is not used (see **Section 5.3 “Data Memory Organization”**), the user may need to save the WREG, STATUS and BSR registers on entry to the Interrupt Service Routine. Depending on the user's application, other registers may also need to be saved. Example 10-1 saves and restores the WREG, STATUS and BSR registers during an Interrupt Service Routine.

### EXAMPLE 10-1: SAVING STATUS, WREG AND BSR REGISTERS IN RAM

```
MOVWF  W_TEMP                ; W_TEMP is in virtual bank
MOVFF  STATUS, STATUS_TEMP   ; STATUS_TEMP located anywhere
MOVFF  BSR, BSR_TEMP         ; BSR_TEMP located anywhere
;
; USER ISR CODE
;
MOVFF  BSR_TEMP, BSR         ; Restore BSR
MOVF   W_TEMP, W             ; Restore WREG
MOVFF  STATUS_TEMP, STATUS   ; Restore STATUS
```



## 11.0 I/O PORTS

Depending on the device selected and features enabled, there are up to nine ports available. Some pins of the I/O ports are multiplexed with an alternate function from the peripheral features on the device. In general, when a peripheral is enabled, that pin may not be used as a general purpose I/O pin.

Each port has three registers for its operation. These registers are:

- TRIS register (Data Direction register)
- Port register (reads the levels on the pins of the device)
- LAT register (output latch)

The Data Latch (LAT register) is useful for read-modify-write operations on the value that the I/O pins are driving.

A simplified model of a generic I/O port, without the interfaces to other peripherals, is shown in Figure 11-1.

**FIGURE 11-1: GENERIC I/O PORT OPERATION**



## 11.1 PORTA, TRISA and LATA Registers

PORTA is an 8-bit wide, bidirectional port. The corresponding data direction register is TRISA. Setting a TRISA bit (= 1) will make the corresponding PORTA pin an input (i.e., put the corresponding output driver in a high-impedance mode). Clearing a TRISA bit (= 0) will make the corresponding PORTA pin an output (i.e., put the contents of the output latch on the selected pin).

Reading the PORTA register reads the status of the pins, whereas writing to it, will write to the port latch.

The Data Latch register (LATA) is also memory mapped. Read-modify-write operations on the LATA register read and write the latched output value for PORTA.

The RA4 pin is multiplexed with the Timer0 module clock input to become the RA4/T0CKI pin. Pins RA6 and RA7 are multiplexed with the main oscillator pins; they are enabled as oscillator or I/O pins by the selection of the main oscillator in the Configuration register (see **Section 25.1 “Configuration Bits”** for details). When they are not used as port pins, RA6 and RA7 and their associated TRIS and LAT bits are read as '0'.

The other PORTA pins are multiplexed with the analog VREF+ and VREF- inputs. The operation of pins RA5:RA0 as A/D converter inputs is selected by clearing or setting the PCFG<3:0> control bits in the ADCON1 register.

**Note:** On a Power-on Reset, RA5 and RA<3:0> are configured as analog inputs and read as '0'. RA4 is configured as a digital input.

The RA4/T0CKI pin is a Schmitt Trigger input and an open-drain output. All other PORTA pins have TTL input levels and full CMOS output drivers.

The TRISA register controls the direction of the PORTA pins, even when they are being used as analog inputs. The user must ensure the bits in the TRISA register are maintained set when using them as analog inputs.

### EXAMPLE 11-1: INITIALIZING PORTA

```

CLRF   PORTA    ; Initialize PORTA by
                ; clearing output
                ; data latches
CLRF   LATA     ; Alternate method
                ; to clear output
                ; data latches
MOVLW  0Fh     ; Configure A/D
MOVWF  ADCON1  ; for digital inputs
MOVLW  0CFh    ; Value used to
                ; initialize data
                ; direction
MOVWF  TRISA   ; Set RA<3:0> as inputs
                ; RA<5:4> as outputs
    
```

# PIC18F8722 FAMILY

**TABLE 11-1: PORTA FUNCTIONS**

| Pin Name       | Function | TRIS Setting | I/O | I/O Type | Description  |
|----------------|----------|--------------|-----|----------|--|
| RA0/AN0        | RA0      | 0            | O   | DIG      | LATA<0> data output; not affected by analog input.                                       |
|                |          | 1            | I   | TTL      | PORTA<0> data input; disabled when analog input enabled.                                 |
|                | AN0      | 1            | I   | ANA      | A/D input channel 0. Default input configuration on POR; does not affect digital output. |
| RA1/AN1        | RA1      | 0            | O   | DIG      | LATA<1> data output; not affected by analog input.                                       |
|                |          | 1            | I   | TTL      | PORTA<1> data input; disabled when analog input enabled.                                 |
|                | AN1      | 1            | I   | ANA      | A/D input channel 1. Default input configuration on POR; does not affect digital output. |
| RA2/AN2/VREF-  | RA2      | 0            | O   | DIG      | LATA<2> data output; not affected by analog input.                                       |
|                |          | 1            | I   | TTL      | PORTA<2> data input. Disabled when analog functions enabled.                             |
|                | AN2      | 1            | I   | ANA      | A/D input channel 2. Default input configuration on POR.                                 |
|                | VREF-    | 1            | I   | ANA      | Comparator voltage reference low input and A/D voltage reference low input.              |
| RA3/AN3/VREF+  | RA3      | 0            | O   | DIG      | LATA<3> data output; not affected by analog input.                                       |
|                |          | 1            | I   | TTL      | PORTA<3> data input; disabled when analog input enabled.                                 |
|                | AN3      | 1            | I   | ANA      | A/D input channel 3. Default input configuration on POR.                                 |
|                | VREF+    | 1            | I   | ANA      | Comparator voltage reference high input and A/D voltage reference high input.            |
| RA4/T0CKI      | RA4      | 0            | O   | DIG      | LATA<4> data output.   |
|                |          | 1            | I   | ST       | PORTA<4> data input; default configuration on POR.                                       |
|                | T0CKI    | x            | I   | ST       | Timer0 clock input.  |
| RA5/AN4/HLVDIN | RA5      | 0            | O   | DIG      | LATA<5> data output; not affected by analog input.                                       |
|                |          | 1            | I   | TTL      | PORTA<5> data input; disabled when analog input enabled.                                 |
|                | AN4      | 1            | I   | ANA      | A/D input channel 4. Default configuration on POR.                                       |
|                | HLVDIN   | 1            | I   | ANA      | High/Low-Voltage Detect external trip point input.                                       |
| OSC2/CLKO/RA6  | OSC2     | x            | O   | ANA      | Main oscillator feedback output connection (XT, HS, HSPLL and LP modes).                 |
|                | CLKO     | x            | O   | DIG      | System cycle clock output (Fosc/4) in all oscillator modes except RC, INTIO7 and EC.     |
|                | RA6      | 0            | O   | DIG      | LATA<6> data output. Enabled in RCIO, INTIO2 and ECIO modes only.                        |
|                |          | 1            | I   | TTL      | PORTA<6> data input. Enabled in RCIO, INTIO2 and ECIO modes only.                        |
| OSC1/CLKI/RA7  | OSC1     | x            | I   | ANA      | Main oscillator input connection.  |
|                | CLKI     | x            | I   | ANA      | Main clock input connection.   |
|                | RA7      | 0            | O   | DIG      | LATA<7> data output. Disabled in external oscillator modes.                              |
|                |          | 1            | I   | TTL      | PORTA<7> data input. Disabled in external oscillator modes.                              |

**Legend:** PWR = Power Supply, O = Output, I = Input, ANA = Analog Signal, DIG = Digital Output, ST= Schmitt Buffer Input, TTL = TTL Buffer Input, x = Don't care (TRIS bit does not affect port direction or is overridden for this option).

**TABLE 11-2: SUMMARY OF REGISTERS ASSOCIATED WITH PORTA**

| Name   | Bit 7                 | Bit 6                 | Bit 5  | Bit 4  | Bit 3  | Bit 2  | Bit 1  | Bit 0  | Reset Values on page |
|--------|-----------------------|-----------------------|--------|--------|--------|--------|--------|--------|----------------------|
| PORTA  | RA7 <sup>(1)</sup>    | RA6 <sup>(1)</sup>    | RA5    | RA4    | RA3    | RA2    | RA1    | RA0    | 61                   |
| LATA   | LATA7 <sup>(1)</sup>  | LATA6 <sup>(1)</sup>  | LATA5  | LATA4  | LATA3  | LATA2  | LATA1  | LATA0  | 60                   |
| TRISA  | TRISA7 <sup>(1)</sup> | TRISA6 <sup>(1)</sup> | TRISA5 | TRISA4 | TRISA3 | TRISA2 | TRISA1 | TRISA0 | 60                   |
| ADCON1 | —                     | —                     | VCFG1  | VCFG0  | PCFG3  | PCFG2  | PCFG1  | PCFG0  | 59                   |

**Legend:** — = unimplemented, read as '0'. Shaded cells are not used by PORTA.

**Note 1:** RA<7:6> and their associated latch and data direction bits are enabled as I/O pins based on oscillator configuration; otherwise, they are read as '0'.

## 11.2 PORTB, TRISB and LATB Registers

PORTB is an 8-bit wide, bidirectional port. The corresponding Data Direction register is TRISB. Setting a TRISB bit (= 1) will make the corresponding PORTB pin an input (i.e., put the corresponding output driver in a high-impedance mode). Clearing a TRISB bit (= 0) will make the corresponding PORTB pin an output (i.e., put the contents of the output latch on the selected pin).

The Data Latch register (LATB) is also memory mapped. Read-modify-write operations on the LATB register read and write the latched output value for PORTB.

### EXAMPLE 11-2: INITIALIZING PORTB

```
CLRF   PORTB   ; Initialize PORTB by
              ; clearing output
              ; data latches
CLRF   LATB    ; Alternate method
              ; to clear output
              ; data latches
MOVLW  0CFh   ; Value used to
              ; initialize data
              ; direction
MOVWF  TRISB  ; Set RB<3:0> as inputs
              ; RB<5:4> as outputs
              ; RB<7:6> as inputs
```

Each of the PORTB pins has a weak internal pull-up. A single control bit can turn on all the pull-ups. This is performed by clearing bit  $\overline{\text{RBPU}}$  (INTCON2<7>). The weak pull-up is automatically turned off when the port pin is configured as an output. The pull-ups are disabled on a Power-on Reset.

Four of the PORTB pins (RB<7:4>) have an interrupt-on-change feature. Only pins configured as inputs can cause this interrupt to occur (i.e., any RB7:RB4 pin configured as an output is excluded from the interrupt-on-change comparison). The input pins (of RB7:RB4) are compared with the old value latched on the last read of PORTB. The "mismatch" outputs of RB7:RB4 are ORed together to generate the RB Port Change Interrupt with Flag bit, RBIF (INTCON<0>).

This interrupt can wake the device from power-managed modes. The user, in the Interrupt Service Routine, can clear the interrupt in the following manner:

- Any read or write of PORTB (except with the MOVSF, MOVSS, MOVFF (ANY), PORTB instruction). This will end the mismatch condition.
- Clear flag bit, RBIF.

A mismatch condition will continue to set flag bit, RBIF. Reading PORTB will end the mismatch condition and allow flag bit, RBIF, to be cleared.

The interrupt-on-change feature is recommended for wake-up on key depression operation and operations where PORTB is only used for the interrupt-on-change feature. Polling of PORTB is not recommended while using the interrupt-on-change feature.

For 80-pin devices, RB3 can be configured as the alternate peripheral pin for the ECCP2 module by clearing the CCP2MX Configuration bit. This applies only when the device is in one of the operating modes other than the default Microcontroller mode. If the device is in Microcontroller mode, the alternate assignment for ECCP2 is RE7. As with other ECCP2 configurations, the user must ensure that the TRISB<3> bit is set appropriately for the intended operation.

# PIC18F8722 FAMILY

**TABLE 11-3: PORTB FUNCTIONS**

| Pin Name               | Function             | TRIS Setting | I/O | I/O Type | Description   |
|------------------------|----------------------|--------------|-----|----------|---|
| RB0/INT0/FLT0          | RB0                  | 0            | O   | DIG      | LATB<0> data output.  |
|                        |                      | 1            | I   | TTL      | PORTB<0> data input; weak pull-up when $\overline{\text{RBPU}}$ bit is cleared.   |
|                        | INT0                 | 1            | I   | ST       | External interrupt 0 input.   |
|                        | FLT0                 | 1            | I   | ST       | ECCPx PWM Fault input, enabled in software.   |
| RB1/INT1               | RB1                  | 0            | O   | DIG      | LATB<1> data output.  |
|                        |                      | 1            | I   | TTL      | PORTB<1> data input; weak pull-up when $\overline{\text{RBPU}}$ bit is cleared.   |
|                        | INT1                 | 1            | I   | ST       | External interrupt 1 input.   |
| RB2/INT2               | RB2                  | 0            | O   | DIG      | LATB<2> data output.  |
|                        |                      | 1            | I   | TTL      | PORTB<2> data input; weak pull-up when $\overline{\text{RBPU}}$ bit is cleared.   |
|                        | INT2                 | 1            | I   | ST       | External interrupt 2 input.   |
| RB3/INT3/<br>ECCP2/P2A | RB3                  | 0            | O   | DIG      | LATB<3> data output.  |
|                        |                      | 1            | I   | TTL      | PORTB<3> data input; weak pull-up when $\overline{\text{RBPU}}$ bit is cleared and capture input is disabled.                             |
|                        | INT3                 | 1            | I   | ST       | External interrupt 3 input.   |
|                        | ECCP2 <sup>(1)</sup> | 0            | O   | DIG      | ECCP2 compare output and ECCP2 PWM output. Takes priority over port data.   |
|                        |                      | 1            | I   | ST       | ECCP2 capture input.  |
|                        | P2A <sup>(1)</sup>   | 0            | O   | DIG      | ECCP2 Enhanced PWM output, channel A. May be configured for tri-state during Enhanced PWM shutdown events. Takes priority over port data. |
| RB4/KBI0               | RB4                  | 0            | O   | DIG      | LATB<4> data output.  |
|                        |                      | 1            | I   | TTL      | PORTB<4> data input; weak pull-up when $\overline{\text{RBPU}}$ bit is cleared.   |
|                        | KBI0                 | 1            | I   | TTL      | Interrupt-on-pin change.  |
| RB5/KBI1/PGM           | RB5                  | 0            | O   | DIG      | LATB<5> data output   |
|                        |                      | 1            | I   | TTL      | PORTB<5> data input; weak pull-up when $\overline{\text{RBPU}}$ bit is cleared.   |
|                        | KBI1                 | 1            | I   | TTL      | Interrupt-on-pin change.  |
|                        | PGM                  | x            | I   | ST       | Single-Supply Programming mode entry (ICSP). Enabled by LVP Configuration bit; all other pin functions disabled.                          |
| RB6/KBI2/PGC           | RB6                  | 0            | O   | DIG      | LATB<6> data output.  |
|                        |                      | 1            | I   | TTL      | PORTB<6> data input; weak pull-up when $\overline{\text{RBPU}}$ bit is cleared.   |
|                        | KBI2                 | 1            | I   | TTL      | Interrupt-on-pin change.  |
|                        | PGC                  | x            | I   | ST       | Serial execution (ICSP™) clock input for ICSP and ICD operation <sup>(2)</sup> .  |
| RB7/KBI3/PGD           | RB7                  | 0            | O   | DIG      | LATB<7> data output.  |
|                        |                      | 1            | I   | TTL      | PORTB<7> data input; weak pull-up when $\overline{\text{RBPU}}$ bit is cleared.   |
|                        | KBI3                 | 1            | I   | TTL      | Interrupt-on-pin change.  |
|                        | PGD                  | x            | O   | DIG      | Serial execution data output for ICSP and ICD operation <sup>(2)</sup> .  |
|                        |                      | x            | I   | ST       | Serial execution data input for ICSP and ICD operation <sup>(2)</sup> .   |

**Legend:** PWR = Power Supply, O = Output, I = Input, ANA = Analog Signal, DIG = Digital Output, ST = Schmitt Buffer Input, TTL = TTL Buffer Input, x = Don't care (TRIS bit does not affect port direction or is overridden for this option).

**Note 1:** Alternate assignment for ECCP2 when the CCP2MX Configuration bit is cleared (Microprocessor, Extended Microcontroller and Microcontroller with Boot Block modes, 80-pin devices only). Default assignment is RC1.

**2:** All other pin functions are disabled when ICSP or ICD operations are enabled.

# PIC18F8722 FAMILY

**TABLE 11-4: SUMMARY OF REGISTERS ASSOCIATED WITH PORTB**

| Name    | Bit 7         | Bit 6     | Bit 5   | Bit 4   | Bit 3   | Bit 2  | Bit 1  | Bit 0  | Reset Values on page |
|---------|---------------|-----------|---------|---------|---------|--------|--------|--------|----------------------|
| PORTB   | RB7           | RB6       | RB5     | RB4     | RB3     | RB2    | RB1    | RB0    | 60                   |
| LATB    | LATB7         | LATB6     | LATB5   | LATB4   | LATB3   | LATB2  | LATB1  | LATB0  | 60                   |
| TRISB   | TRISB7        | TRISB6    | TRISB5  | TRISB4  | TRISB3  | TRISB2 | TRISB1 | TRISB0 | 60                   |
| INTCON  | GIE/GIEH      | PEIE/GIEL | TMR0IE  | INT0IE  | RBIE    | TMR0IF | INT0IF | RBIF   | 57                   |
| INTCON2 | RBP $\bar{U}$ | INTEDG0   | INTEDG1 | INTEDG2 | INTEDG3 | TMR0IP | INT3IP | RBIP   | 57                   |
| INTCON3 | INT2IP        | INT1IP    | INT3IE  | INT2IE  | INT1IE  | INT3IF | INT2IF | INT1IF | 57                   |

**Legend:** Shaded cells are not used by PORTB.

# PIC18F8722 FAMILY

## 11.3 PORTC, TRISC and LATC Registers

PORTC is an 8-bit wide, bidirectional port. The corresponding Data Direction register is TRISC. Setting a TRISC bit (= 1) will make the corresponding PORTC pin an input (i.e., put the corresponding output driver in a high-impedance mode). Clearing a TRISC bit (= 0) will make the corresponding PORTC pin an output (i.e., put the contents of the output latch on the selected pin).

The Data Latch register (LATC) is also memory mapped. Read-modify-write operations on the LATC register read and write the latched output value for PORTC.

PORTC is multiplexed with several peripheral functions. All port pins have Schmitt Trigger input buffers. RC1 is normally configured by Configuration bit, CCP2MX, as the default peripheral pin of the ECCP2 module (default/erased state, CCP2MX = 1).

When enabling peripheral functions, care should be taken in defining TRIS bits for each PORTC pin. Some peripherals override the TRIS bit to make a pin an output, while other peripherals override the TRIS bit to make a pin an input. The user should refer to the corresponding peripheral section for the correct TRIS bit settings.

**Note:** On a Power-on Reset, these pins are configured as digital inputs.

The contents of the TRISC register are affected by peripheral overrides. Reading TRISC always returns the current contents, even though a peripheral device may be overriding one or more of the pins.

### EXAMPLE 11-3: INITIALIZING PORTC

```
CLRF   PORTC   ; Initialize PORTC by
              ; clearing output
              ; data latches
CLRF   LATC    ; Alternate method
              ; to clear output
              ; data latches
MOVLW  0CFh   ; Value used to
              ; initialize data
              ; direction
MOVWF  TRISC   ; Set RC<3:0> as inputs
              ; RC<5:4> as outputs
              ; RC<7:6> as inputs
```

# PIC18F8722 FAMILY

**TABLE 11-5: PORTC FUNCTIONS**

| Pin Name            | Function             | TRIS Setting | I/O | I/O Type             | Description   |
|---------------------|----------------------|--------------|-----|----------------------|---|
| RC0/T1OSO/T13CKI    | RC0                  | 0            | O   | DIG                  | LATC<0> data output.  |
|                     |                      | 1            | I   | ST                   | PORTC<0> data input.  |
|                     | T1OSO                | x            | O   | ANA                  | Timer1 oscillator output; enabled when Timer1 oscillator enabled. Disables digital I/O.   |
|                     | T13CKI               | 1            | I   | ST                   | Timer1/Timer3 counter input.  |
| RC1/T1OSI/ECCP2/P2A | RC1                  | 0            | O   | DIG                  | LATC<1> data output.  |
|                     |                      | 1            | I   | ST                   | PORTC<1> data input.  |
|                     | T1OSI                | x            | I   | ANA                  | Timer1 oscillator input; enabled when Timer1 oscillator enabled. Disables digital I/O.  |
|                     | ECCP2 <sup>(1)</sup> | 0            | O   | DIG                  | ECCP2 compare output and ECCP2 PWM output. Takes priority over port data.   |
|                     |                      | 1            | I   | ST                   | ECCP2 capture input.  |
|                     | P2A <sup>(1)</sup>   | 0            | O   | DIG                  | ECCP2 Enhanced PWM output, channel A. May be configured for tri-state during Enhanced PWM shutdown events. Takes priority over port data. |
| RC2/ECCP1/P1A       | RC2                  | 0            | O   | DIG                  | LATC<2> data output.  |
|                     |                      | 1            | I   | ST                   | PORTC<2> data input.  |
|                     | ECCP1                | 0            | O   | DIG                  | ECCP1 compare output and ECCP1 PWM output. Takes priority over port data.   |
|                     |                      | 1            | I   | ST                   | ECCP1 capture input.  |
|                     | P1A                  | 0            | O   | DIG                  | ECCP1 Enhanced PWM output, channel A. May be configured for tri-state during Enhanced PWM shutdown events. Takes priority over port data. |
|                     | RC3/SCK1/SCL1        | RC3          | 0   | O                    | DIG   |
| 1                   |                      |              | I   | ST                   | PORTC<3> data input.  |
| SCK1                |                      | 0            | O   | DIG                  | SPI clock output (MSSP1 module). Takes priority over port data.   |
|                     |                      | 1            | I   | ST                   | SPI clock input (MSSP1 module).   |
| SCL1                |                      | 0            | O   | DIG                  | I <sup>2</sup> C™ clock output (MSSP1 module). Takes priority over port data.   |
|                     |                      | 1            | I   | I <sup>2</sup> C/SMB | I <sup>2</sup> C clock input (MSSP1 module); input type depends on module setting.  |
| RC4/SDI1/SDA1       | RC4                  | 0            | O   | DIG                  | LATC<4> data output.  |
|                     |                      | 1            | I   | ST                   | PORTC<4> data input.  |
|                     | SDI1                 | 1            | I   | ST                   | SPI data input (MSSP1 module).  |
|                     | SDA1                 | 1            | O   | DIG                  | I <sup>2</sup> C data output (MSSP1 module). Takes priority over port data.   |
|                     |                      | 1            | I   | I <sup>2</sup> C/SMB | I <sup>2</sup> C data input (MSSP1 module); input type depends on module setting.   |
| RC5/SDO1            | RC5                  | 0            | O   | DIG                  | LATC<5> data output.  |
|                     |                      | 1            | I   | ST                   | PORTC<5> data input.  |
|                     | SDO1                 | 0            | O   | DIG                  | SPI data output (MSSP1 module). Takes priority over port data.  |

**Legend:** DIG = Digital level output; TTL = TTL input buffer; ST = Schmitt Trigger input buffer; ANA = Analog level input/output; I<sup>2</sup>C/SMB = I<sup>2</sup>C/SMBus input buffer; x = Don't care (TRIS bit does not affect port direction or is overridden for this option).

**Note 1:** Default assignment for ECCP2 when CCP2MX Configuration bit is set.

# PIC18F8722 FAMILY

**TABLE 11-5: PORTC FUNCTIONS (CONTINUED)**

| Pin Name    | Function | TRIS Setting | I/O | I/O Type   | Description   |
|-------------|----------|--------------|-----|--|---|
| RC6/TX1/CK1 | RC6      | 0            | O   | DIG  | LATC<6> data output.  |
|             |          | 1            | I   | ST   | PORTC<6> data input.  |
|             | TX1      | 0            | O   | DIG  | Asynchronous serial transmit data output (EUSART1 module). Takes priority over port data.                     |
|             |          | 0            | O   | DIG  | Synchronous serial clock output (EUSART1 module). Takes priority over port data.                              |
| RC7/RX1/DT1 | RC7      | 0            | O   | DIG  | LATC<7> data output.  |
|             |          | 1            | I   | ST   | PORTC<7> data input.  |
|             | RX1      | 1            | I   | ST   | Asynchronous serial receive data input (EUSART1 module)   |
|             | DT1      | 1            | O   | DIG  | Synchronous serial data output (EUSART1 module). Takes priority over port data. User must configure as input. |
| 1           |          | I            | ST  | Synchronous serial data input (EUSART1 module). User must configure as an input. |   |

**Legend:** DIG = Digital level output; TTL = TTL input buffer; ST = Schmitt Trigger input buffer; ANA = Analog level input/output; I<sup>2</sup>C/SMB = I<sup>2</sup>C/SMBus input buffer; x = Don't care (TRIS bit does not affect port direction or is overridden for this option).

**Note 1:** Default assignment for ECCP2 when CCP2MX Configuration bit is set.

**TABLE 11-6: SUMMARY OF REGISTERS ASSOCIATED WITH PORTC**

| Name  | Bit 7  | Bit 6  | Bit 5  | Bit 4  | Bit 3  | Bit 2  | Bit 1  | Bit 0  | Reset Values on page |
|-------|--------|--------|--------|--------|--------|--------|--------|--------|----------------------|
| PORTC | RC7    | RC6    | RC5    | RC4    | RC3    | RC2    | RC1    | RC0    | 60                   |
| LATC  | LATC7  | LATC6  | LATC5  | LATC4  | LATC3  | LATC2  | LATC1  | LATC0  | 60                   |
| TRISC | TRISC7 | TRISC6 | TRISC5 | TRISC4 | TRISC3 | TRISC2 | TRISC1 | TRISC0 | 60                   |



## 11.4 PORTD, TRISD and LATD Registers

PORTD is an 8-bit wide, bidirectional port. The corresponding Data Direction register is TRISD. Setting a TRISD bit (= 1) will make the corresponding PORTD pin an input (i.e., put the corresponding output driver in a high-impedance mode). Clearing a TRISD bit (= 0) will make the corresponding PORTD pin an output (i.e., put the contents of the output latch on the selected pin).

The Data Latch register (LATD) is also memory mapped. Read-modify-write operations on the LATD register read and write the latched output value for PORTD.

All pins on PORTD are implemented with Schmitt Trigger input buffers. Each pin is individually configurable as an input or output.

**Note:** On a Power-on Reset, these pins are configured as digital inputs.

In 80-pin devices, PORTD is multiplexed with the system bus as part of the external memory interface. I/O port and other functions are only available when the interface is disabled by setting the EBDIS bit (MEMCON<7>). When the interface is enabled, PORTD is the low-order byte of the multiplexed address/data bus (AD<7:0>). The TRISD bits are also overridden.

PORTD can also be configured to function as an 8-bit wide parallel microprocessor port by setting the PSPMODE control bit (PSPCON<4>). In this mode, parallel port data takes priority over other digital I/O (but not the external memory interface). When the parallel port is active, the input buffers are TTL. For more information, refer to **Section 11.10 “Parallel Slave Port”**.

### EXAMPLE 11-4: INITIALIZING PORTD

```
CLRF    PORTD    ; Initialize PORTD by
                ; clearing output
                ; data latches
CLRF    LATD     ; Alternate method
                ; to clear output
                ; data latches
MOVLW  0CFh     ; Value used to
                ; initialize data
                ; direction
MOVWF  TRISD    ; Set RD<3:0> as inputs
                ; RD<5:4> as outputs
                ; RD<7:6> as inputs
```

# PIC18F8722 FAMILY

**TABLE 11-7: PORTD FUNCTIONS**

| Pin Name              | Function           | TRIS Setting | I/O | I/O Type   | Description  |
|-----------------------|--------------------|--------------|-----|--|--|
| RD0/AD0/PSP0          | RD0                | 0            | O   | DIG  | LATD<0> data output.   |
|                       |                    | 1            | I   | ST   | PORTD<0> data input.   |
|                       | AD0 <sup>(1)</sup> | x            | O   | DIG  | External memory interface, address/data bit 0 output. Takes priority over PSP and port data.       |
|                       |                    | x            | I   | TTL  | External memory interface, data bit 0 input.   |
|                       | PSP0               | x            | O   | DIG  | PSP read data output (LATD<0>). Takes priority over port data.                                     |
|                       |                    | x            | I   | TTL  | PSP write data input.  |
| RD1/AD1/PSP1          | RD1                | 0            | O   | DIG  | LATD<1> data output.   |
|                       |                    | 1            | I   | ST   | PORTD<1> data input.   |
|                       | AD1 <sup>(1)</sup> | x            | O   | DIG  | External memory interface, address/data bit 1 output. Takes priority over PSP and port data.       |
|                       |                    | x            | I   | TTL  | External memory interface, data bit 1 input.   |
|                       | PSP1               | x            | O   | DIG  | PSP read data output (LATD<1>). Takes priority over port data.                                     |
|                       |                    | x            | I   | TTL  | PSP write data input.  |
| RD2/AD2/PSP2          | RD2                | 0            | O   | DIG  | LATD<2> data output.   |
|                       |                    | 1            | I   | ST   | PORTD<2> data input.   |
|                       | AD2 <sup>(1)</sup> | x            | O   | DIG  | External memory interface, address/data bit 2 output. Takes priority over PSP and port data.       |
|                       |                    | x            | I   | TTL  | External memory interface, data bit 2 input.   |
|                       | PSP2               | x            | O   | DIG  | PSP read data output (LATD<2>). Takes priority over port data.                                     |
|                       |                    | x            | I   | TTL  | PSP write data input.  |
| RD3/AD3/PSP3          | RD3                | 0            | O   | DIG  | LATD<3> data output.   |
|                       |                    | 1            | I   | ST   | PORTD<3> data input.   |
|                       | AD3 <sup>(1)</sup> | x            | O   | DIG  | External memory interface, address/data bit 3 output. Takes priority over PSP and port data.       |
|                       |                    | x            | I   | TTL  | External memory interface, data bit 3 input.   |
|                       | PSP3               | x            | O   | DIG  | PSP read data output (LATD<3>). Takes priority over port data.                                     |
|                       |                    | x            | I   | TTL  | PSP write data input.  |
| RD4/AD4/<br>PSP4/SDO2 | RD4                | 0            | O   | DIG  | LATD<4> data output.   |
|                       |                    | 1            | I   | ST   | PORTD<4> data input.   |
|                       | AD4 <sup>(1)</sup> | x            | O   | DIG  | External memory interface, address/data bit 4 output. Takes priority over PSP, MSSP and port data. |
|                       |                    | x            | I   | TTL  | External memory interface, data bit 4 input.   |
|                       | PSP4               | x            | O   | DIG  | PSP read data output (LATD<4>). Takes priority over port and PSP data.                             |
|                       |                    | x            | I   | TTL  | PSP write data input.  |
| SDO2                  | 0                  | O            | DIG | SPI data output (MSSP2 module). Takes priority over PSP and port data. |  |

**Legend:** PWR = Power Supply, O = Output, I = Input, ANA = Analog Signal, DIG = Digital Output, ST = Schmitt Buffer Input, TTL = TTL Buffer Input, x = Don't care (TRIS bit does not affect port direction or is overridden for this option).

**Note 1:** Implemented on 80-pin devices only.

# PIC18F8722 FAMILY

**TABLE 11-7: PORTD FUNCTIONS (CONTINUED)**

| Pin Name                       | Function           | TRIS Setting | I/O                  | I/O Type   | Description  |
|--------------------------------|--------------------|--------------|----------------------|--|--|
| RD5/AD5/<br>PSP5/SDI2<br>/SDA2 | RD5                | 0            | O                    | DIG  | LATD<5> data output.   |
|                                |                    | 1            | I                    | ST   | PORTD<5> data input.   |
|                                | AD5 <sup>(1)</sup> | x            | O                    | DIG  | External memory interface, address/data bit 5 output. Takes priority over PSP, MSSP and port data. |
|                                |                    | x            | I                    | TTL  | External memory interface, data bit 5 input.   |
|                                | PSP5               | x            | O                    | DIG  | PSP read data output (LATD<5>). Takes priority over port data.                                     |
|                                |                    | x            | I                    | TTL  | PSP write data input.  |
|                                | SDI2               | 1            | I                    | ST   | SPI data input (MSSP2 module).   |
|                                | SDA2               | 1            | O                    | DIG  | I <sup>2</sup> C™ data output (MSSP2 module). Takes priority over PSP and port data.               |
| 1                              |                    | I            | I <sup>2</sup> C/SMB | I <sup>2</sup> C data input (MSSP2 module); input type depends on module setting.    |  |
| RD6/AD6/<br>PSP6/SCK2/<br>SCL2 | RD6                | 0            | O                    | DIG  | LATD<6> data output.   |
|                                |                    | 1            | I                    | ST   | PORTD<6> data input.   |
|                                | AD6 <sup>(1)</sup> | x            | O                    | DIG-3  | External memory interface, address/data bit 6 output. Takes priority over PSP, MSSP and port data. |
|                                |                    | x            | I                    | TTL  | External memory interface, data bit 6 input.   |
|                                | PSP6               | x            | O                    | DIG  | PSP read data output (LATD<6>). Takes priority over port data.                                     |
|                                |                    | x            | I                    | TTL  | PSP write data input.  |
|                                | SCK2               | 0            | O                    | DIG  | SPI clock output (MSSP2 module). Takes priority over PSP and port data.                            |
|                                |                    | 1            | I                    | ST   | SPI clock input (MSSP2 module).  |
| SCL2                           | 0                  | O            | DIG                  | I <sup>2</sup> C clock output (MSSP2 module). Takes priority over PSP and port data. |  |
|                                | 1                  | I            | I <sup>2</sup> C/SMB | I <sup>2</sup> C clock input (MSSP2 module); input type depends on module setting.   |  |
| RD7/AD7/<br>PSP7/SS2           | RD7                | 0            | O                    | DIG  | LATD<7> data output.   |
|                                |                    | 1            | I                    | ST   | PORTD<7> data input.   |
|                                | AD7 <sup>(1)</sup> | x            | O                    | DIG  | External memory interface, address/data bit 7 output. Takes priority over PSP and port data.       |
|                                |                    | x            | I                    | TTL  | External memory interface, data bit 7 input.   |
|                                | PSP7               | x            | O                    | DIG  | PSP read data output (LATD<7>). Takes priority over port data.                                     |
|                                |                    | x            | I                    | TTL  | PSP write data input.  |
| SS2                            | 1                  | I            | TTL                  | Slave select input for SSP (MSSP2 module).   |  |

**Legend:** PWR = Power Supply, O = Output, I = Input, ANA = Analog Signal, DIG = Digital Output, ST = Schmitt Buffer Input, TTL = TTL Buffer Input, x = Don't care (TRIS bit does not affect port direction or is overridden for this option).

**Note 1:** Implemented on 80-pin devices only.

**TABLE 11-8: SUMMARY OF REGISTERS ASSOCIATED WITH PORTD**

| Name  | Bit 7  | Bit 6  | Bit 5  | Bit 4  | Bit 3  | Bit 2  | Bit 1  | Bit 0  | Reset Values on page |
|-------|--------|--------|--------|--------|--------|--------|--------|--------|----------------------|
| PORTD | RD7    | RD6    | RD5    | RD4    | RD3    | RD2    | RD1    | RD0    | 60                   |
| LATD  | LATD7  | LATD6  | LATD5  | LATD4  | LATD3  | LATD2  | LATD1  | LATD0  | 60                   |
| TRISD | TRISD7 | TRISD6 | TRISD5 | TRISD4 | TRISD3 | TRISD2 | TRISD1 | TRISD0 | 60                   |

# PIC18F8722 FAMILY

## 11.5 PORTE, TRISE and LATE Registers

PORTE is an 8-bit wide, bidirectional port. The corresponding Data Direction register is TRISE. Setting a TRISE bit (= 1) will make the corresponding PORTE pin an input (i.e., put the corresponding output driver in a high-impedance mode). Clearing a TRISE bit (= 0) will make the corresponding PORTE pin an output (i.e., put the contents of the output latch on the selected pin).

The Data Latch register (LATE) is also memory mapped. Read-modify-write operations on the LATE register read and write the latched output value for PORTE.

All pins on PORTE are implemented with Schmitt Trigger input buffers. Each pin is individually configurable as an input or output.

**Note:** On a Power-on Reset, these pins are configured as digital inputs.

When the device is operating in Microcontroller mode, pin RE7 can be configured as the alternate peripheral pin for the ECCP2 module. This is done by clearing the CCP2MX Configuration bit.

In 80-pin devices, PORTE is multiplexed with the system bus as part of the external memory interface. I/O port and other functions are only available when the interface is disabled by setting the EBDIS bit (MEMCON<7>). When the interface is enabled (80-pin devices only), PORTE is the high-order byte of the multiplexed address/data bus (AD<15:8>). The TRISE bits are also overridden.

When the Parallel Slave Port is active on PORTD, three of the PORTE pins ( $\overline{RE0/AD8/RD/P2D}$ ,  $\overline{RE1/AD9/WR/P2C}$  and  $\overline{RE2/AD10/CS/P2B}$ ) are configured as digital control inputs for the port. The control functions are summarized in Table 11-9. The reconfiguration occurs automatically when the PSPMODE control bit (PSPCON<4>) is set. Users must still make certain the corresponding TRISE bits are set to configure these pins as digital inputs.

### EXAMPLE 11-5: INITIALIZING PORTE

```
CLRF   PORTE   ; Initialize PORTE by
           ; clearing output
           ; data latches
CLRF   LATE    ; Alternate method
           ; to clear output
           ; data latches
MOVLW  03h    ; Value used to
           ; initialize data
           ; direction
MOVWF  TRISE   ; Set RE<1:0> as inputs
           ; RE<7:2> as outputs
```

# PIC18F8722 FAMILY

**TABLE 11-9: PORTE FUNCTIONS**

| Pin Name            | Function               | TRIS Setting | I/O | I/O Type  | Description  |
|---------------------|------------------------|--------------|-----|---|--|
| RE0/AD8/<br>RD/P2D  | RE0                    | 0            | O   | DIG   | LATE<0> data output.   |
|                     |                        | 1            | I   | ST  | PORTE<0> data input.   |
|                     | AD8 <sup>(2)</sup>     | x            | O   | DIG   | External memory interface, address/data bit 8 output. Takes priority over ECCP and port data.  |
|                     |                        | x            | I   | TTL   | External memory interface, data bit 8 input.   |
|                     | $\overline{\text{RD}}$ | 1            | I   | TTL   | Parallel Slave Port read enable control input.   |
| P2D                 | 0                      | O            | DIG | ECCP2 Enhanced PWM output, channel D. May be configured for tri-state during Enhanced PWM shutdown events. Takes priority over port data. |  |
| RE1/AD9/<br>WR/P2C  | RE1                    | 0            | O   | DIG   | LATE<1> data output.   |
|                     |                        | 1            | I   | ST  | PORTE<1> data input.   |
|                     | AD9 <sup>(2)</sup>     | x            | O   | DIG   | External memory interface, address/data bit 9 output. Takes priority over ECCP and port data.  |
|                     |                        | x            | I   | TTL   | External memory interface, data bit 9 input.   |
|                     | $\overline{\text{WR}}$ | 1            | I   | TTL   | Parallel Slave Port write enable control input.  |
| P2C                 | 0                      | O            | DIG | ECCP2 Enhanced PWM output, channel C. May be configured for tri-state during Enhanced PWM shutdown events. Takes priority over port data. |  |
| RE2/AD10/<br>CS/P2B | RE2                    | 0            | O   | DIG   | LATE<2> data output.   |
|                     |                        | 1            | I   | ST  | PORTE<2> data input.   |
|                     | AD10 <sup>(2)</sup>    | x            | O   | DIG   | External memory interface, address/data bit 10 output. Takes priority over ECCP and port data. |
|                     |                        | x            | I   | TTL   | External memory interface, data bit 10 input.  |
|                     | $\overline{\text{CS}}$ | 1            | I   | TTL   | Parallel Slave Port chip select control input.   |
| P2B                 | 0                      | O            | DIG | ECCP2 Enhanced PWM output, channel B. May be configured for tri-state during Enhanced PWM shutdown events. Takes priority over port data. |  |
| RE3/AD11/P3C        | RE3                    | 0            | O   | DIG   | LATE<3> data output.   |
|                     |                        | 1            | I   | ST  | PORTE<3> data input.   |
|                     | AD11 <sup>(2)</sup>    | x            | O   | DIG   | External memory interface, address/data bit 11 output. Takes priority over ECCP and port data. |
|                     |                        | x            | I   | TTL   | External memory interface, data bit 11 input.  |
| P3C                 | 0                      | O            | DIG | ECCP3 Enhanced PWM output, channel C. May be configured for tri-state during Enhanced PWM shutdown events. Takes priority over port data. |  |
| RE4/AD12/P3B        | RE4                    | 0            | O   | DIG   | LATE<4> data output.   |
|                     |                        | 1            | I   | ST  | PORTE<4> data input.   |
|                     | AD12 <sup>(2)</sup>    | x            | O   | DIG   | External memory interface, address/data bit 12 output. Takes priority over ECCP and port data. |
|                     |                        | x            | I   | TTL   | External memory interface, data bit 12 input.  |
| P3B                 | 0                      | O            | DIG | ECCP3 Enhanced PWM output, channel B. May be configured for tri-state during Enhanced PWM shutdown events. Takes priority over port data. |  |

**Legend:** PWR = Power Supply, O = Output, I = Input, ANA = Analog Signal, DIG = Digital Output, ST = Schmitt Buffer Input, TTL = TTL Buffer Input, x = Don't care (TRIS bit does not affect port direction or is overridden for this option).

- Note 1:** Alternate assignment for ECCP2 when CCP2MX Configuration bit is cleared (all devices in Microcontroller mode).  
**2:** Implemented on 80-pin devices only.

# PIC18F8722 FAMILY

**TABLE 11-9: PORTE FUNCTIONS (CONTINUED)**

| Pin Name               | Function             | TRIS Setting | I/O | I/O Type | Description   |
|------------------------|----------------------|--------------|-----|----------|---|
| RE5/AD13/P1C           | RE5                  | 0            | O   | DIG      | LATE<5> data output.  |
|                        |                      | 1            | I   | ST       | PORTE<5> data input.  |
|                        | AD13 <sup>(2)</sup>  | x            | O   | DIG      | External memory interface, address/data bit 13 output. Takes priority over ECCP and port data.  |
|                        |                      | x            | I   | TTL      | External memory interface, data bit 13 input.   |
|                        | P1C                  | 0            | O   | DIG      | ECCP1 Enhanced PWM output, channel C. May be configured for tri-state during Enhanced PWM shutdown events. Takes priority over port data.     |
| RE6/AD14/P1B           | RE6                  | 0            | O   | DIG      | LATE<6> data output.  |
|                        |                      | 1            | I   | ST       | PORTE<6> data input.  |
|                        | AD14 <sup>(2)</sup>  | x            | O   | DIG      | External memory interface, address/data bit 14 output. Takes priority over ECCP and port data.  |
|                        |                      | x            | I   | TTL      | External memory interface, data bit 14 input.   |
|                        | P1B                  | 0            | O   | DIG      | ECCP1 Enhanced PWM output, channel B. May be configured for tri-state during Enhanced PWM shutdown events. Takes priority over port data.     |
| RE7/AD15/<br>ECCP2/P2A | RE7                  | 0            | O   | DIG      | LATE<7> data output.  |
|                        |                      | 1            | I   | ST       | PORTE<7> data input.  |
|                        | AD15 <sup>(2)</sup>  | x            | O   | DIG      | External memory interface, address/data bit 15 output. Takes priority over ECCP and port data.  |
|                        |                      | x            | I   | TTL      | External memory interface, data bit 15 input.   |
|                        | ECCP2 <sup>(1)</sup> | 0            | O   | DIG      | ECCP2 compare output and ECCP2 PWM output. Takes priority over port data.   |
|                        |                      | 1            | I   | ST       | ECCP2 capture input.  |
|                        | P2A <sup>(1)</sup>   | 0            | O   | DIG      | ECCP2 Enhanced PWM output, channel A. Takes priority over port and data. May be configured for tri-state during Enhanced PWM shutdown events. |

**Legend:** PWR = Power Supply, O = Output, I = Input, ANA = Analog Signal, DIG = Digital Output, ST = Schmitt Buffer Input, TTL = TTL Buffer Input, x = Don't care (TRIS bit does not affect port direction or is overridden for this option).

**Note 1:** Alternate assignment for ECCP2 when CCP2MX Configuration bit is cleared (all devices in Microcontroller mode).

**2:** Implemented on 80-pin devices only.

**TABLE 11-10: SUMMARY OF REGISTERS ASSOCIATED WITH PORTE**

| Name  | Bit 7  | Bit 6  | Bit 5  | Bit 4  | Bit 3  | Bit 2  | Bit 1  | Bit 0  | Reset Values on page |
|-------|--------|--------|--------|--------|--------|--------|--------|--------|----------------------|
| PORTE | RE7    | RE6    | RE5    | RE4    | RE3    | RE2    | RE1    | RE0    | 60                   |
| LATE  | LATE7  | LATE6  | LATE5  | LATE4  | LATE3  | LATE2  | LATE1  | LATE0  | 60                   |
| TRISE | TRISE7 | TRISE6 | TRISE5 | TRISE4 | TRISE3 | TRISE2 | TRISE1 | TRISE0 | 60                   |

## 11.6 PORTF, LATF and TRISF Registers

PORTF is an 8-bit wide, bidirectional port. The corresponding Data Direction register is TRISF. Setting a TRISF bit (= 1) will make the corresponding PORTF pin an input (i.e., put the corresponding output driver in a high-impedance mode). Clearing a TRISF bit (= 0) will make the corresponding PORTF pin an output (i.e., put the contents of the output latch on the selected pin).

The Data Latch register (LATF) is also memory mapped. Read-modify-write operations on the LATF register read and write the latched output value for PORTF.

All pins on PORTF are implemented with Schmitt Trigger input buffers. Each pin is individually configurable as an input or output.

PORTF is multiplexed with several analog peripheral functions, including the A/D converter and comparator inputs, as well as the comparator outputs. Pins RF1 through RF2 may be used as comparator inputs or outputs by setting the appropriate bits in the CMCON register. To use RF<6:0> as digital inputs, it is necessary to turn off the A/D inputs.

**Note 1:** On a Power-on Reset, the RF<6:0> pins are configured as analog inputs and read as '0'.

**2:** To configure PORTF as digital I/O, set the ADCON1 register.

### EXAMPLE 11-6: INITIALIZING PORTF

```
CLRF    PORTF    ; Initialize PORTF by
                ; clearing output
                ; data latches
CLRF    LATF     ; Alternate method
                ; to clear output
                ; data latches
MOVLW   0x0F     ;
MOVWF   ADCON1  ; Set PORTF as digital I/O
MOVLW   0xCF     ; Value used to
                ; initialize data
                ; direction
MOVWF   TRISF   ; Set RF3:RF0 as inputs
                ; RF5:RF4 as outputs
                ; RF7:RF6 as inputs
```

# PIC18F8722 FAMILY

**TABLE 11-11: PORTF FUNCTIONS**

| Pin Name              | Function         | TRIS Setting | I/O | I/O Type | Description  |
|-----------------------|------------------|--------------|-----|----------|--|
| RF0/AN5               | RF0              | 0            | O   | DIG      | LATF<0> data output; not affected by analog input.   |
|                       |                  | 1            | I   | ST       | PORTF<0> data input; disabled when analog input enabled.   |
|                       | AN5              | 1            | I   | ANA      | A/D input channel 5. Default configuration on POR.   |
| RF1/AN6/C2OUT         | RF1              | 0            | O   | DIG      | LATF<1> data output; not affected by analog input.   |
|                       |                  | 1            | I   | ST       | PORTF<1> data input; disabled when analog input enabled.   |
|                       | AN6              | 1            | I   | ANA      | A/D input channel 6. Default configuration on POR.   |
|                       | C2OUT            | 0            | O   | DIG      | Comparator 2 output; takes priority over port data.  |
| RF2/AN7/C1OUT         | RF2              | 0            | O   | DIG      | LATF<2> data output; not affected by analog input.   |
|                       |                  | 1            | I   | ST       | PORTF<2> data input; disabled when analog input enabled.   |
|                       | AN7              | 1            | I   | ANA      | A/D input channel 7. Default configuration on POR.   |
|                       | C1OUT            | 0            | O   | TTL      | Comparator 1 output; takes priority over port data.  |
| RF3/AN8               | RF3              | 0            | O   | DIG      | LATF<3> data output; not affected by analog input.   |
|                       |                  | 1            | I   | ST       | PORTF<3> data input; disabled when analog input enabled.   |
|                       | AN8              | 1            | I   | ANA      | A/D input channel 8 and Comparator C2+ input. Default input configuration on POR; not affected by analog output.   |
| RF4/AN9               | RF4              | 0            | O   | DIG      | LATF<4> data output; not affected by analog input.   |
|                       |                  | 1            | I   | ST       | PORTF<4> data input; disabled when analog input enabled.   |
|                       | AN9              | 1            | I   | ANA      | A/D input channel 9 and Comparator C2- input. Default input configuration on POR; does not affect digital output.  |
| RF5/AN10/CVREF        | RF5              | 0            | O   | DIG      | LATF<5> data output; not affected by analog input. Disabled when CVREF output enabled.                             |
|                       |                  | 1            | I   | ST       | PORTF<5> data input; disabled when analog input enabled. Disabled when CVREF output enabled.                       |
|                       | AN10             | 1            | I   | ANA      | A/D input channel 10 and Comparator C1+ input. Default input configuration on POR; not affected by analog output.  |
|                       | CVREF            | x            | O   | ANA      | Comparator voltage reference output. Enabling this feature disables digital I/O.                                   |
| RF6/AN11              | RF6              | 0            | O   | DIG      | LATF<6> data output; not affected by analog input.   |
|                       |                  | 1            | I   | ST       | PORTF<6> data input; disabled when analog input enabled.   |
|                       | AN11             | 1            | I   | ANA      | A/D input channel 11 and Comparator C1- input. Default input configuration on POR; does not affect digital output. |
| RF7/ $\overline{SS1}$ | RF7              | 0            | O   | DIG      | LATF<7> data output.   |
|                       |                  | 1            | I   | ST       | PORTF<7> data input.   |
|                       | $\overline{SS1}$ | 1            | I   | TTL      | Slave select input for SSP (MSSP1 module).   |

**Legend:** PWR = Power Supply, O = Output, I = Input, ANA = Analog Signal, DIG = Digital Output, ST = Schmitt Buffer Input, TTL = TTL Buffer Input, x = Don't care (TRIS bit does not affect port direction or is overridden for this option).

**TABLE 11-12: SUMMARY OF REGISTERS ASSOCIATED WITH PORTF**

| Name   | Bit 7  | Bit 6  | Bit 5  | Bit 4  | Bit 3  | Bit 2  | Bit 1  | Bit 0  | Reset Values on page |
|--------|--------|--------|--------|--------|--------|--------|--------|--------|----------------------|
| TRISF  | TRISF7 | TRISF6 | TRISF5 | TRISF4 | TRISF3 | TRISF2 | TRISF1 | TRISF0 | 60                   |
| PORTF  | RF7    | RF6    | RF5    | RF4    | RF3    | RF2    | RF1    | RF0    | 60                   |
| LATF   | LATF7  | LATF6  | LATF5  | LATF4  | LATF3  | LATF2  | LATF1  | LATF0  | 60                   |
| ADCON1 | —      | —      | VCFG1  | VCFG0  | PCFG3  | PCFG2  | PCFG1  | PCFG0  | 59                   |
| CMCON  | C2OUT  | C1OUT  | C2INV  | C1INV  | CIS    | CM2    | CM1    | CM0    | 59                   |

**Legend:** — = unimplemented, read as '0'. Shaded cells are not used by PORTF.



## 11.7 PORTG, TRISG and LATG Registers

PORTG is a 6-bit wide, bidirectional port. The corresponding Data Direction register is TRISG. Setting a TRISG bit (= 1) will make the corresponding PORTG pin an input (i.e., put the corresponding output driver in a high-impedance mode). Clearing a TRISG bit (= 0) will make the corresponding PORTG pin an output (i.e., put the contents of the output latch on the selected pin).

The Data Latch register (LATG) is also memory mapped. Read-modify-write operations on the LATG register, read and write the latched output value for PORTG.

PORTG is multiplexed with EUSART and CCP functions (Table 11-13). PORTG pins have Schmitt Trigger input buffers.

When enabling peripheral functions, care should be taken in defining TRIS bits for each PORTG pin. Some peripherals override the TRIS bit to make a pin an output, while other peripherals override the TRIS bit to make a pin an input. The user should refer to the corresponding peripheral section for the correct TRIS bit settings. The pin override value is not loaded into the TRIS register. This allows read-modify-write of the TRIS register without concern due to peripheral overrides.

The sixth pin of PORTG (RG5/ $\overline{\text{MCLR}}$ /VPP) is an input only pin. Its operation is controlled by the MCLRE Configuration bit. When selected as a port pin (MCLRE = 0), it functions as a digital input only pin; as such, it does not have TRIS or LAT bits associated with its operation. Otherwise, it functions as the device's Master Clear input. In either configuration, RG5 also functions as the programming voltage input during programming.

**Note:** On a Power-on Reset, RG5 is enabled as a digital input only if Master Clear functionality is disabled. All other 5 pins are configured as digital inputs.

### EXAMPLE 11-7: INITIALIZING PORTG

```
CLRF   PORTG   ; Initialize PORTG by
           ; clearing output
           ; data latches
CLRF   LATG    ; Alternate method
           ; to clear output
           ; data latches
MOVLW  0x04   ; Value used to
           ; initialize data
           ; direction
MOVWF  TRISG  ; Set RG1:RG0 as outputs
           ; RG2 as input
           ; RG4:RG3 as inputs
```

# PIC18F8722 FAMILY

**TABLE 11-13: PORTG FUNCTIONS**

| Pin Name                           | Function                 | TRIS Setting     | I/O | I/O Type  | Description  |
|------------------------------------|--------------------------|------------------|-----|---|--|
| RG0/ECCP3/P3A                      | RG0                      | 0                | O   | DIG   | LATG<0> data output.   |
|                                    |                          | 1                | I   | ST  | PORTG<0> data input.   |
|                                    | ECCP3                    | 0                | O   | DIG   | ECCP3 compare and ECCP3 PWM output. Takes priority over port data.   |
|                                    |                          | 1                | I   | ST  | ECCP3 capture input.   |
| P3A                                | 0                        | O                | DIG | ECCP3 Enhanced PWM output, channel B. May be configured for tri-state during Enhanced PWM shutdown events. Takes priority over port data. |  |
| RG1/TX2/CK2                        | RG1                      | 0                | O   | DIG   | LATG<1> data output.   |
|                                    |                          | 1                | I   | ST  | PORTG<1> data input.   |
|                                    | TX2                      | 0                | O   | DIG   | Asynchronous serial transmit data output (EUSART2 module). Takes priority over port data.                        |
|                                    | CK2                      | 0                | O   | DIG   | Synchronous serial clock output (EUSART2 module). Takes priority over port data.                                 |
| 1                                  |                          | I                | ST  | Synchronous serial clock input (EUSART2 module).  |  |
| RG2/RX2/DT2                        | RG2                      | 0                | O   | DIG   | LATG<2> data output.   |
|                                    |                          | 1                | I   | ST  | PORTG<2> data input.   |
|                                    | RX2                      | 1                | I   | ST  | Asynchronous serial receive data input (EUSART2 module).   |
|                                    | DT2                      | 1                | O   | DIG   | Synchronous serial data output (EUSART2 module). Takes priority over port data. User must configure as an input. |
| 1                                  |                          | I                | ST  | Synchronous serial data input (EUSART2 module). User must configure as an input.  |  |
| RG3/CCP4/P3D                       | RG3                      | 0                | O   | DIG   | LATG<3> data output.   |
|                                    |                          | 1                | I   | ST  | PORTG<3> data input.   |
|                                    | CCP4                     | 0                | O   | DIG   | CCP4 compare and PWM output; takes priority over port data and P3D function.                                     |
|                                    |                          | 1                | I   | ST  | CCP4 capture input.  |
| P3D                                | 0                        | O                | DIG | ECCP3 Enhanced PWM output, channel D. May be configured for tri-state during Enhanced PWM shutdown events. Takes priority over port data. |  |
| RG4/CCP5/P1D                       | RG4                      | 0                | O   | DIG   | LATG<4> data output.   |
|                                    |                          | 1                | I   | ST  | PORTG<4> data input.   |
|                                    | CCP5                     | 0                | O   | DIG   | CCP5 compare and PWM output. Takes priority over port data and P1D function.                                     |
|                                    |                          | 1                | I   | ST  | CCP5 capture input.  |
| P1D                                | 0                        | O                | DIG | ECCP1 Enhanced PWM output, channel B. May be configured for tri-state during Enhanced PWM shutdown events. Takes priority over port data. |  |
| RG5/ $\overline{\text{MCLR}}$ /VPP | RG5                      | — <sup>(1)</sup> | I   | ST  | PORTG<5> data input; enabled when MCLRE Configuration bit is clear.  |
|                                    | $\overline{\text{MCLR}}$ | —                | I   | ST  | External Master Clear input; enabled when MCLRE Configuration bit is set.  |
|                                    | VPP                      | —                | I   | ANA   | High-voltage detection; used for ICSP™ mode entry detection. Always available regardless of pin mode.            |

**Legend:** PWR = Power Supply, O = Output, I = Input, ANA = Analog Signal, DIG = Digital Output, ST = Schmitt Buffer Input, TTL = TTL Buffer Input, x = Don't care (TRIS bit does not affect port direction or is overridden for this option).

**Note 1:** RG5 does not have a corresponding TRISG bit.

# PIC18F8722 FAMILY

**TABLE 11-14: SUMMARY OF REGISTERS ASSOCIATED WITH PORTG**

| Name  | Bit 7 | Bit 6 | Bit 5                | Bit 4  | Bit 3  | Bit 2  | Bit 1  | Bit 0  | Reset Values on page |
|-------|-------|-------|----------------------|--------|--------|--------|--------|--------|----------------------|
| PORTG | —     | —     | RG5 <sup>(1)</sup>   | RG4    | RG3    | RG2    | RG1    | RG0    | 60                   |
| LATG  | —     | —     | LATG5 <sup>(1)</sup> | LATG4  | LATG3  | LATG2  | LATG1  | LATG0  | 60                   |
| TRISG | —     | —     | —                    | TRISG4 | TRISG3 | TRISG2 | TRISG1 | TRISG0 | 60                   |

**Legend:** — = unimplemented, read as '0'. Shaded cells are not used by PORTG.

**Note 1:** RG5 and LATG5 are only available when MCLR is disabled (MCLRE Configuration bit = 0; otherwise, RG5 and LATG5 read as '0').

# PIC18F8722 FAMILY

---

## 11.8 PORTH, LATH and TRISH Registers

**Note:** PORTH is available only on PIC18F8527/8622/8627/8722 devices.

PORTH is an 8-bit wide, bidirectional I/O port. The corresponding Data Direction register is TRISH. Setting a TRISH bit (= 1) will make the corresponding PORTH pin an input (i.e., put the corresponding output driver in a high-impedance mode). Clearing a TRISH bit (= 0) will make the corresponding PORTH pin an output (i.e., put the contents of the output latch on the selected pin).

The Data Latch register (LATH) is also memory mapped. Read-modify-write operations on the LATH register, read and write the latched output value for PORTH.

All pins on PORTH are implemented with Schmitt Trigger input buffers. Each pin is individually configurable as an input or output.

**Note:** On a Power-on Reset, these pins are configured as digital inputs.

When the external memory interface is enabled, four of the PORTH pins function as the high-order address lines for the interface. The address output from the interface takes priority over other digital I/O. The corresponding TRISH bits are also overridden.

### EXAMPLE 11-8: INITIALIZING PORTH

```
CLRF    PORTH    ; Initialize PORTH by
                ; clearing output
                ; data latches
CLRF    LATH     ; Alternate method
                ; to clear output
                ; data latches
MOVLW   0CFh    ; Value used to
                ; initialize data
                ; direction
MOVWF   TRISH   ; Set RH3:RH0 as inputs
                ; RH5:RH4 as outputs
                ; RH7:RH6 as inputs
```

# PIC18F8722 FAMILY

**TABLE 11-15: PORTH FUNCTIONS**

| Pin Name         | Function           | TRIS Setting | I/O | I/O Type | Description   |
|------------------|--------------------|--------------|-----|----------|---|
| RH0/A16          | RH0                | 0            | O   | DIG      | LATH<0> data output.  |
|                  |                    | 1            | I   | ST       | PORTH<0> data input.  |
|                  | A16                | x            | O   | DIG      | External memory interface, address line 16. Takes priority over port data.  |
| RH1/A17          | RH1                | 0            | O   | DIG      | LATH<1> data output.  |
|                  |                    | 1            | I   | ST       | PORTH<1> data input.  |
|                  | A17                | x            | O   | DIG      | External memory interface, address line 17. Takes priority over port data.  |
| RH2/A18          | RH2                | 0            | O   | DIG      | LATH<2> data output.  |
|                  |                    | 1            | I   | ST       | PORTH<2> data input.  |
|                  | A18                | x            | O   | DIG      | External memory interface, address line 18. Takes priority over port data.  |
| RH3/A19          | RH3                | 0            | O   | DIG      | LATH<3> data output.  |
|                  |                    | 1            | I   | ST       | PORTH<3> data input.  |
|                  | A19                | x            | O   | DIG      | External memory interface, address line 19. Takes priority over port data.  |
| RH4/AN12/<br>P3C | RH4                | 0            | O   | DIG      | LATH<4> data output.  |
|                  |                    | 1            | I   | ST       | PORTH<4> data input.  |
|                  | AN12               | 1            | I   | ANA      | A/D input channel 12. Default configuration on POR.   |
|                  | P3C <sup>(1)</sup> | 0            | O   | DIG      | ECCP3 Enhanced PWM output, channel C. May be configured for tri-state during Enhanced PWM shutdown events. Takes priority over port data. |
| RH5/AN13/<br>P3B | RH5                | 0            | O   | DIG      | LATH<5> data output.  |
|                  |                    | 1            | I   | ST       | PORTH<5> data input.  |
|                  | AN13               | 1            | I   | ANA      | A/D input channel 13. Default configuration on POR.   |
|                  | P3B <sup>(1)</sup> | 0            | O   | DIG      | ECCP3 Enhanced PWM output, channel B. May be configured for tri-state during Enhanced PWM shutdown events. Takes priority over port data. |
| RH6/AN14/<br>P1C | RH6                | 0            | O   | DIG      | LATH<6> data output.  |
|                  |                    | 1            | I   | ST       | PORTH<6> data input.  |
|                  | AN14               | 1            | I   | ANA      | A/D input channel 14. Default configuration on POR.   |
|                  | P1C <sup>(1)</sup> | 0            | O   | DIG      | ECCP1 Enhanced PWM output, channel C. May be configured for tri-state during Enhanced PWM shutdown events. Takes priority over port data. |
| RH7/AN15/<br>P1B | RH7                | 0            | O   | DIG      | LATH<7> data output.  |
|                  |                    | 1            | I   | ST       | PORTH<7> data input.  |
|                  | AN15               | 1            | I   | ANA      | A/D input channel 15. Default configuration on POR.   |
|                  | P1B <sup>(1)</sup> | 0            | O   | DIG      | ECCP1 Enhanced PWM output, channel B. May be configured for tri-state during Enhanced PWM shutdown events. Takes priority over port data. |

**Legend:** PWR = Power Supply, O = Output, I = Input, ANA = Analog Signal, DIG = Digital Output, ST = Schmitt Buffer Input, TTL = TTL Buffer Input, x = Don't care (TRIS bit does not affect port direction or is overridden for this option).

**Note 1:** Alternate assignment for P1B/P1C/P3B/P3C (ECCPMX is clear).

**TABLE 11-16: SUMMARY OF REGISTERS ASSOCIATED WITH PORTH**

| Name   | Bit 7  | Bit 6  | Bit 5  | Bit 4  | Bit 3  | Bit 2  | Bit 1  | Bit 0  | Reset Values on page |
|--------|--------|--------|--------|--------|--------|--------|--------|--------|----------------------|
| TRISH  | TRISH7 | TRISH6 | TRISH5 | TRISH4 | TRISH3 | TRISH2 | TRISH1 | TRISH0 | 60                   |
| PORTH  | RH7    | RH6    | RH5    | RH4    | RH3    | RH2    | RH1    | RH0    | 60                   |
| LATH   | LATH7  | LATH6  | LATH5  | LATH4  | LATH3  | LATH2  | LATH1  | LATH0  | 60                   |
| ADCON1 | —      | —      | VCFG1  | VCFG0  | PCFG3  | PCFG2  | PCFG1  | PCFG0  | 59                   |

# PIC18F8722 FAMILY

---

## 11.9 PORTJ, TRISJ and LATJ Registers

**Note:** PORTJ is available only on PIC18F8527/8622/8627/8722 devices.

PORTJ is an 8-bit wide, bidirectional port. The corresponding Data Direction register is TRISJ. Setting a TRISJ bit (= 1) will make the corresponding PORTJ pin an input (i.e., put the corresponding output driver in a high-impedance mode). Clearing a TRISJ bit (= 0) will make the corresponding PORTJ pin an output (i.e., put the contents of the output latch on the selected pin).

The Data Latch register (LATJ) is also memory mapped. Read-modify-write operations on the LATJ register, read and write the latched output value for PORTJ.

All pins on PORTJ are implemented with Schmitt Trigger input buffers. Each pin is individually configurable as an input or output.

**Note:** On a Power-on Reset, these pins are configured as digital inputs.

When the external memory interface is enabled, all of the PORTJ pins function as control outputs for the interface. This occurs automatically when the interface is enabled by clearing the EBDIS control bit (MEMCON<7>). The TRISJ bits are also overridden.

### EXAMPLE 11-9: INITIALIZING PORTJ

```
CLRF   PORTJ   ; Initialize PORTJ by
              ; clearing output
              ; data latches
CLRF   LATJ    ; Alternate method
              ; to clear output
              ; data latches
MOVLW 0xCF    ; Value used to
              ; initialize data
              ; direction
MOVWF  TRISJ  ; Set RJ3:RJ0 as inputs
              ; RJ5:RJ4 as output
              ; RJ7:RJ6 as inputs
```

# PIC18F8722 FAMILY

**TABLE 11-17: PORTJ FUNCTIONS**

| Pin Name              | Function         | TRIS Setting | I/O | I/O Type | Description   |
|-----------------------|------------------|--------------|-----|----------|---|
| RJ0/ALE               | RJ0              | 0            | O   | DIG      | LATJ<0> data output.  |
|                       |                  | 1            | I   | ST       | PORTJ<0> data input.  |
|                       | ALE              | x            | O   | DIG      | External memory interface address latch enable control output. Takes priority over digital I/O. |
| RJ1/ $\overline{OE}$  | RJ1              | 0            | O   | DIG      | LATJ<1> data output.  |
|                       |                  | 1            | I   | ST       | PORTJ<1> data input.  |
|                       | $\overline{OE}$  | x            | O   | DIG      | External memory interface output enable control output. Takes priority over digital I/O.        |
| RJ2/ $\overline{WRL}$ | RJ2              | 0            | O   | DIG      | LATJ<2> data output.  |
|                       |                  | 1            | I   | ST       | PORTJ<2> data input.  |
|                       | $\overline{WRL}$ | x            | O   | DIG      | External Memory Bus write low byte control. Takes priority over digital I/O.                    |
| RJ3/ $\overline{WRH}$ | RJ3              | 0            | O   | DIG      | LATJ<3> data output.  |
|                       |                  | 1            | I   | ST       | PORTJ<3> data input.  |
|                       | $\overline{WRH}$ | x            | O   | DIG      | External memory interface write high byte control output. Takes priority over digital I/O.      |
| RJ4/BA0               | RJ4              | 0            | O   | DIG      | LATJ<4> data output.  |
|                       |                  | 1            | I   | ST       | PORTJ<4> data input.  |
|                       | BA0              | x            | O   | DIG      | External memory interface byte address 0 control output. Takes priority over digital I/O.       |
| RJ5/ $\overline{CE}$  | RJ5              | 0            | O   | DIG      | LATJ<5> data output.  |
|                       |                  | 1            | I   | ST       | PORTJ<5> data input.  |
|                       | $\overline{CE}$  | x            | O   | DIG      | External memory interface chip enable control output. Takes priority over digital I/O.          |
| RJ6/ $\overline{LB}$  | RJ6              | 0            | O   | DIG      | LATJ<6> data output.  |
|                       |                  | 1            | I   | ST       | PORTJ<6> data input.  |
|                       | $\overline{LB}$  | x            | O   | DIG      | External memory interface lower byte enable control output. Takes priority over digital I/O.    |
| RJ7/ $\overline{UB}$  | RJ7              | 0            | O   | DIG      | LATJ<7> data output.  |
|                       |                  | 1            | I   | ST       | PORTJ<7> data input.  |
|                       | $\overline{UB}$  | x            | O   | DIG      | External memory interface upper byte enable control output. Takes priority over digital I/O.    |

**Legend:** PWR = Power Supply, O = Output, I = Input, ANA = Analog Signal, DIG = Digital Output, ST = Schmitt Buffer Input, TTL = TTL Buffer Input, x = Don't care (TRIS bit does not affect port direction or is overridden for this option).

**TABLE 11-18: SUMMARY OF REGISTERS ASSOCIATED WITH PORTJ**

| Name  | Bit 7  | Bit 6  | Bit 5  | Bit 4  | Bit 3  | Bit 2  | Bit 1  | Bit 0  | Reset Values on page |
|-------|--------|--------|--------|--------|--------|--------|--------|--------|----------------------|
| PORTJ | RJ7    | RJ6    | RJ5    | RJ4    | RJ3    | RJ2    | RJ1    | RJ0    | 60                   |
| LATJ  | LATJ7  | LATJ6  | LATJ5  | LATJ4  | LATJ3  | LATJ2  | LATJ1  | LATJ0  | 60                   |
| TRISJ | TRISJ7 | TRISJ6 | TRISJ5 | TRISJ4 | TRISJ3 | TRISJ2 | TRISJ1 | TRISJ0 | 60                   |

# PIC18F8722 FAMILY

## 11.10 Parallel Slave Port

PORTD can also function as an 8-bit wide Parallel Slave Port, or microprocessor port, when control bit PSPMODE (PSPCON<4>) is set. It is asynchronously readable and writable by the external world through the  $\overline{RD}$  and  $\overline{WR}$  control input pins.

**Note:** For PIC18F8527/8622/8627/8722 devices, the Parallel Slave Port is available only in Microcontroller mode.

The PSP can directly interface to an 8-bit microprocessor data bus. The external microprocessor can read or write the PORTD latch as an 8-bit latch. Setting bit PSPMODE enables port pin  $\overline{RD}$  to be the  $\overline{RD}$  input,  $\overline{RE1}/\overline{WR}$  to be the  $\overline{WR}$  input and  $\overline{RE2}/\overline{CS}$  to be the  $\overline{CS}$  (Chip Select) input. For this functionality, the corresponding data direction bits of the TRISE register (TRISE<2:0>) must be configured as inputs (set).

A write to the PSP occurs when both the  $\overline{CS}$  and  $\overline{WR}$  lines are first detected low and ends when either are detected high. The PSPIF and IBF flag bits are both set when the write ends.

A read from the PSP occurs when both the  $\overline{CS}$  and  $\overline{RD}$  lines are first detected low. The data in PORTD is read out and the OBF bit is set. If the user writes new data to PORTD to set OBF, the data is immediately read out; however, the OBF bit is not set.

When either the  $\overline{CS}$  or  $\overline{RD}$  lines are detected high, the PORTD pins return to the input state and the PSPIF bit is set. User applications should wait for PSPIF to be set before servicing the PSP; when this happens, the IBF and OBF bits can be polled and the appropriate action taken.

The timing for the control signals in Write and Read modes is shown in Figure 11-3 and Figure 11-4, respectively.

**FIGURE 11-2: PORTD AND PORTE BLOCK DIAGRAM (PARALLEL SLAVE PORT)**





# PIC18F8722 FAMILY

## REGISTER 11-1: PSPCON: PARALLEL SLAVE PORT CONTROL REGISTER

|       |     |       |         |     |     |     |       |
|-------|-----|-------|---------|-----|-----|-----|-------|
| R-0   | R-0 | R/W-0 | R/W-0   | U-0 | U-0 | U-0 | U-0   |
| IBF   | OBF | IBOV  | PSPMODE | —   | —   | —   | —     |
| bit 7 |     |       |         |     |     |     | bit 0 |

### Legend:

R = Readable bit

W = Writable bit

U = Unimplemented bit, read as '0'

-n = Value at POR

'1' = Bit is set

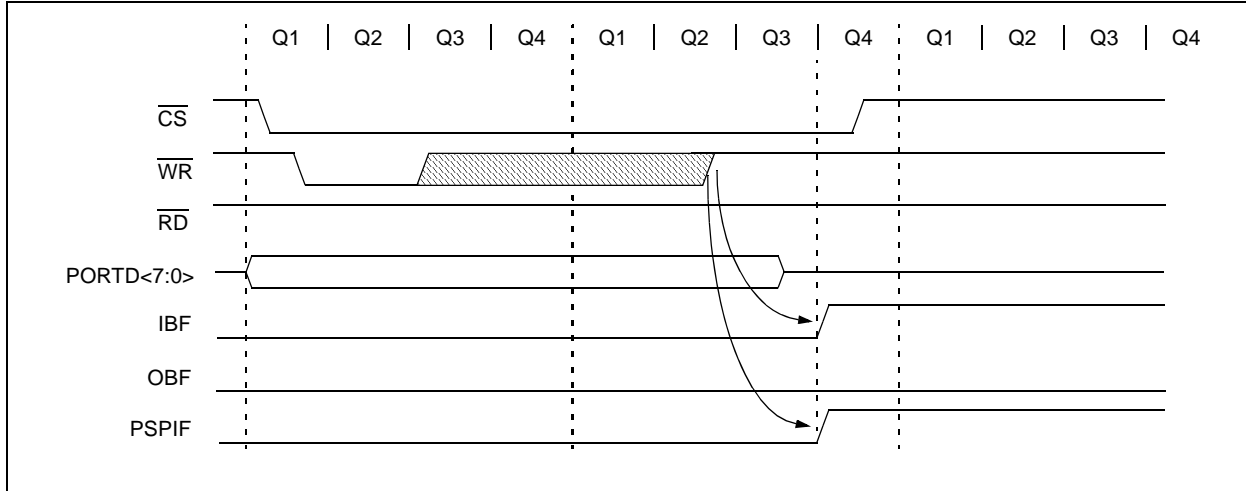
'0' = Bit is cleared

x = Bit is unknown

- bit 7      **IBF:** Input Buffer Full Status bit  
 1 = A word has been received and is waiting to be read by the CPU  
 0 = No word has been received
- bit 6      **OBF:** Output Buffer Full Status bit  
 1 = The output buffer still holds a previously written word  
 0 = The output buffer has been read
- bit 5      **IBOV:** Input Buffer Overflow Detect bit  
 1 = A write occurred when a previously input word has not been read (must be cleared in software)  
 0 = No overflow occurred
- bit 4      **PSPMODE:** Parallel Slave Port Mode Select bit  
 1 = Parallel Slave Port mode  
 0 = General Purpose I/O mode
- bit 3-0    **Unimplemented:** Read as '0'

# PIC18F8722 FAMILY

**FIGURE 11-3: PARALLEL SLAVE PORT WRITE WAVEFORMS**



**FIGURE 11-4: PARALLEL SLAVE PORT READ WAVEFORMS**



**TABLE 11-19: REGISTERS ASSOCIATED WITH PARALLEL SLAVE PORT**

| Name   | Bit 7    | Bit 6     | Bit 5  | Bit 4   | Bit 3  | Bit 2  | Bit 1  | Bit 0  | Reset Values on page |
|--------|----------|-----------|--------|---------|--------|--------|--------|--------|----------------------|
| PORTD  | RD7      | RD6       | RD5    | RD4     | RD3    | RD2    | RD1    | RD0    | 60                   |
| LATD   | LATD7    | LATD6     | LATD5  | LATD4   | LATD3  | LATD2  | LATD1  | LATD0  | 60                   |
| TRISD  | TRISD7   | TRISD6    | TRISD5 | TRISD4  | TRISD3 | TRISD2 | TRISD1 | TRISD0 | 60                   |
| PORTE  | RE7      | RE6       | RE5    | RE4     | RE3    | RE2    | RE1    | RE0    | 60                   |
| LATE   | LATE7    | LATE6     | LATE5  | LATE4   | LATE3  | LATE2  | LATE1  | LATE0  | 60                   |
| TRISE  | TRISE7   | TRISE6    | TRISE5 | TRISE4  | TRISE3 | TRISE2 | TRISE1 | TRISE0 | 60                   |
| PSPCON | IBF      | OBF       | IBOV   | PSPMODE | —      | —      | —      | —      | 59                   |
| INTCON | GIE/GIEH | PEIE/GIEL | TMR0IE | INT0IE  | RBIE   | TMR0IF | INT0IF | RBIF   | 57                   |
| PIR1   | PSPIF    | ADIF      | RC1IF  | TX1IF   | SSP1IF | CCP1IF | TMR2IF | TMR1IF | 60                   |
| PIE1   | PSPIE    | ADIE      | RC1IE  | TX1IE   | SSP1IE | CCP1IE | TMR2IE | TMR1IE | 60                   |
| IPR1   | PSPIP    | ADIP      | RC1IP  | TX1IP   | SSP1IP | CCP1IP | TMR2IP | TMR1IP | 60                   |

**Legend:** — = unimplemented, read as '0'. Shaded cells are not used by the Parallel Slave Port.

# PIC18F8722 FAMILY

## 12.0 TIMER0 MODULE

The Timer0 module incorporates the following features:

- Software selectable operation as a timer or counter in both 8-bit or 16-bit modes
- Readable and writable registers
- Dedicated 8-bit, software programmable prescaler
- Selectable clock source (internal or external)
- Edge select for external clock
- Interrupt-on-overflow

The T0CON register (Register 12-1) controls all aspects of the module's operation, including the prescale selection. It is both readable and writable.

A simplified block diagram of the Timer0 module in 8-bit mode is shown in Figure 12-1. Figure 12-2 shows a simplified block diagram of the Timer0 module in 16-bit mode.

### REGISTER 12-1: T0CON: TIMER0 CONTROL REGISTER

| R/W-1  | R/W-1  | R/W-1 | R/W-1 | R/W-1 | R/W-1 | R/W-1 | R/W-1 |
|--------|--------|-------|-------|-------|-------|-------|-------|
| TMR0ON | T08BIT | T0CS  | T0SE  | PSA   | T0PS2 | T0PS1 | T0PS0 |
| bit 7  |        |       |       |       |       |       | bit 0 |

#### Legend:

R = Readable bit

W = Writable bit

U = Unimplemented bit, read as '0'

-n = Value at POR

'1' = Bit is set

'0' = Bit is cleared

x = Bit is unknown

|         |   |
|---------|---|
| bit 7   | <b>TMR0ON:</b> Timer0 On/Off Control bit<br>1 = Enables Timer0<br>0 = Stops Timer0  |
| bit 6   | <b>T08BIT:</b> Timer0 8-bit/16-bit Control bit<br>1 = Timer0 is configured as an 8-bit timer/counter<br>0 = Timer0 is configured as a 16-bit timer/counter  |
| bit 5   | <b>T0CS:</b> Timer0 Clock Source Select bit<br>1 = Transition on T0CKI pin<br>0 = Internal instruction cycle clock (CLKO)   |
| bit 4   | <b>T0SE:</b> Timer0 Source Edge Select bit<br>1 = Increment on high-to-low transition on T0CKI pin<br>0 = Increment on low-to-high transition on T0CKI pin  |
| bit 3   | <b>PSA:</b> Timer0 Prescaler Assignment bit<br>1 = Timer0 prescaler is NOT assigned. Timer0 clock input bypasses prescaler.<br>0 = Timer0 prescaler is assigned. Timer0 clock input comes from prescaler output.  |
| bit 2-0 | <b>T0PS&lt;2:0&gt;:</b> Timer0 Prescaler Select bits<br>111 = 1:256 Prescale value<br>110 = 1:128 Prescale value<br>101 = 1:64 Prescale value<br>100 = 1:32 Prescale value<br>011 = 1:16 Prescale value<br>010 = 1:8 Prescale value<br>001 = 1:4 Prescale value<br>000 = 1:2 Prescale value |

# PIC18F8722 FAMILY

## 12.1 Timer0 Operation

Timer0 can operate as either a timer or a counter; the mode is selected with the T0CS bit (T0CON<5>). In Timer mode (T0CS = 0), the module increments on every clock by default unless a different prescaler value is selected (see **Section 12.3 “Prescaler”**). If the TMR0 register is written to, the increment is inhibited for the following two instruction cycles. The user can work around this by writing an adjusted value to the TMR0 register.

The Counter mode is selected by setting the T0CS bit (= 1). In this mode, Timer0 increments either on every rising or falling edge of pin RA4/T0CKI. The incrementing edge is determined by the Timer0 Source Edge Select bit, T0SE (T0CON<4>); clearing this bit selects the rising edge. Restrictions on the external clock input are discussed below.

An external clock source can be used to drive Timer0; however, it must meet certain requirements to ensure that the external clock can be synchronized with the

internal phase clock (Tosc). There is a delay between synchronization and the onset of incrementing the timer/counter.

## 12.2 Timer0 Reads and Writes in 16-bit Mode

TMR0H is not the actual high byte of Timer0 in 16-bit mode; it is actually a buffered version of the real high byte of Timer0 which is not directly readable nor writable (refer to Figure 12-2). TMR0H is updated with the contents of the high byte of Timer0 during a read of TMR0L. This provides the ability to read all 16 bits of Timer0 without having to verify that the read of the high and low byte were valid, due to a rollover between successive reads of the high and low byte.

Similarly, a write to the high byte of Timer0 must also take place through the TMR0H Buffer register. The high byte is updated with the contents of TMR0H when a write occurs to TMR0L. This allows all 16 bits of Timer0 to be updated at once.

**FIGURE 12-1: TIMER0 BLOCK DIAGRAM (8-BIT MODE)**



**FIGURE 12-2: TIMER0 BLOCK DIAGRAM (16-BIT MODE)**



# PIC18F8722 FAMILY

## 12.3 Prescaler

An 8-bit counter is available as a prescaler for the Timer0 module. The prescaler is not directly readable or writable; its value is set by the PSA and T0PS<2:0> bits (T0CON<3:0>) which determine the prescaler assignment and prescale ratio.

Clearing the PSA bit assigns the prescaler to the Timer0 module. When it is assigned, prescale values from 1:2 through 1:256 in power-of-2 increments are selectable.

When assigned to the Timer0 module, all instructions writing to the TMR0 register (e.g., `CLRF TMR0`, `MOVWF TMR0`, `BSF TMR0`, etc.) clear the prescaler count.

**Note:** Writing to TMR0 when the prescaler is assigned to Timer0 will clear the prescaler count, but will not change the prescaler assignment.

### 12.3.1 SWITCHING PRESCALER ASSIGNMENT

The prescaler assignment is fully under software control and can be changed “on-the-fly” during program execution.

## 12.4 Timer0 Interrupt

The TMR0 interrupt is generated when the TMR0 register overflows from FFh to 00h in 8-bit mode, or from FFFFh to 0000h in 16-bit mode. This overflow sets the TMR0IF flag bit. The interrupt can be masked by clearing the TMR0IE bit (INTCON<5>). Before re-enabling the interrupt, the TMR0IF bit must be cleared in software by the Interrupt Service Routine.

Since Timer0 is shut down in Sleep mode, the TMR0 interrupt cannot awaken the processor from Sleep.

**TABLE 12-1: REGISTERS ASSOCIATED WITH TIMER0**

| Name   | Bit 7                     | Bit 6                 | Bit 5  | Bit 4  | Bit 3  | Bit 2  | Bit 1  | Bit 0  | Reset Values on page |
|--------|---------------------------|-----------------------|--------|--------|--------|--------|--------|--------|----------------------|
| TMR0L  | Timer0 Register Low Byte  |                       |        |        |        |        |        |        | 58                   |
| TMR0H  | Timer0 Register High Byte |                       |        |        |        |        |        |        | 58                   |
| INTCON | GIE/GIEH                  | PEIE/GIEL             | TMR0IE | INT0IE | RBIE   | TMR0IF | INT0IF | RBIF   | 57                   |
| T0CON  | TMR0ON                    | T08BIT                | T0CS   | T0SE   | PSA    | T0PS2  | T0PS1  | T0PS0  | 58                   |
| TRISA  | TRISA7 <sup>(1)</sup>     | TRISA6 <sup>(1)</sup> | TRISA5 | TRISA4 | TRISA3 | TRISA2 | TRISA1 | TRISA0 | 60                   |

**Legend:** Shaded cells are not used by Timer0.

**Note 1:** PORTA<7:6> and their direction bits are individually configured as port pins based on various primary oscillator modes. When disabled, these bits read as ‘0’.

# PIC18F8722 FAMILY

---

NOTES:

# PIC18F8722 FAMILY

## 13.0 TIMER1 MODULE

The Timer1 timer/counter module incorporates these features:

- Software selectable operation as a 16-bit timer or counter
- Readable and writable 8-bit registers (TMR1H and TMR1L)
- Selectable clock source (internal or external) with device clock or Timer1 oscillator internal options
- Interrupt-on-overflow
- Reset on CCP Special Event Trigger
- Device clock status flag (T1RUN)

A simplified block diagram of the Timer1 module is shown in Figure 13-1. A block diagram of the module's operation in Read/Write mode is shown in Figure 13-2.

The module incorporates its own low-power oscillator to provide an additional clocking option. The Timer1 oscillator can also be used as a low-power clock source for the microcontroller in power-managed operation.

Timer1 can also be used to provide Real-Time Clock (RTC) functionality to applications with only a minimal addition of external components and code overhead.

Timer1 is controlled through the T1CON Control register (Register 13-1). It also contains the Timer1 Oscillator Enable bit (T1OSCEN). Timer1 can be enabled or disabled by setting or clearing control bit, TMR1ON (T1CON<0>).

**REGISTER 13-1: T1CON: TIMER1 CONTROL REGISTER**

|       |       |         |         |         |                     |        |        |
|-------|-------|---------|---------|---------|---------------------|--------|--------|
| R/W-0 | R/W-0 | R/W-0   | R/W-0   | R/W-0   | R/W-0               | R/W-0  | R/W-0  |
| RD16  | T1RUN | T1CKPS1 | T1CKPS0 | T1OSCEN | $\overline{T1SYNC}$ | TMR1CS | TMR1ON |
| bit 7 |       |         |         |         |                     |        | bit 0  |

**Legend:**

|                   |                  |                                    |
|-------------------|------------------|------------------------------------|
| R = Readable bit  | W = Writable bit | U = Unimplemented bit, read as '0' |
| -n = Value at POR | '1' = Bit is set | '0' = Bit is cleared               |
|                   |                  | x = Bit is unknown                 |

- bit 7 **RD16:** 16-Bit Read/Write Mode Enable bit
  - 1 = Enables register read/write of Timer1 in one 16-bit operation
  - 0 = Enables register read/write of Timer1 in two 8-bit operations
- bit 6 **T1RUN:** Timer1 System Clock Status bit
  - 1 = Device clock is derived from Timer1 oscillator
  - 0 = Device clock is derived from another source
- bit 5-4 **T1CKPS<1:0>:** Timer1 Input Clock Prescale Select bits
  - 11 = 1:8 Prescale value
  - 10 = 1:4 Prescale value
  - 01 = 1:2 Prescale value
  - 00 = 1:1 Prescale value
- bit 3 **T1OSCEN:** Timer1 Oscillator Enable bit
  - 1 = Timer1 oscillator is enabled
  - 0 = Timer1 oscillator is shut off

The oscillator inverter and feedback resistor are turned off to eliminate power drain.
- bit 2 **T1SYNC:** Timer1 External Clock Input Synchronization Select bit
  - When TMR1CS = 1:
    - 1 = Do not synchronize external clock input
    - 0 = Synchronize external clock input
  - When TMR1CS = 0:
    - This bit is ignored. Timer1 uses the internal clock when TMR1CS = 0.
- bit 1 **TMR1CS:** Timer1 Clock Source Select bit
  - 1 = External clock from pin RC0/T1OSO/T13CK1 (on the rising edge)
  - 0 = Internal clock (FOSC/4)
- bit 0 **TMR1ON:** Timer1 On bit
  - 1 = Enables Timer1
  - 0 = Stops Timer1

# PIC18F8722 FAMILY

## 13.1 Timer1 Operation

Timer1 can operate in one of these modes:

- Timer
- Synchronous Counter
- Asynchronous Counter

The operating mode is determined by the clock select bit, TMR1CS (T1CON<1>). When TMR1CS is cleared (= 0), Timer1 increments on every internal instruction

cycle ( $F_{osc}/4$ ). When the bit is set, Timer1 increments on every rising edge of the Timer1 external clock input or the Timer1 oscillator, if enabled.

When Timer1 is enabled, the RC1/T1OSI and RC0/T1OSO/T13CKI pins become inputs. This means the values of TRISC<1:0> are ignored and the pins are read as '0'.

**FIGURE 13-1: TIMER1 BLOCK DIAGRAM**



**FIGURE 13-2: TIMER1 BLOCK DIAGRAM (16-BIT READ/WRITE MODE)**





## 13.2 Timer1 16-bit Read/Write Mode

Timer1 can be configured for 16-bit reads and writes (see Figure 13-2). When the RD16 control bit (T1CON<7>) is set, the address for TMR1H is mapped to a buffer register for the high byte of Timer1. A read from TMR1L will load the contents of the high byte of Timer1 into the Timer1 high byte buffer. This provides the user with the ability to accurately read all 16 bits of Timer1 without having to determine whether a read of the high byte, followed by a read of the low byte, has become invalid due to a rollover between reads.

A write to the high byte of Timer1 must also take place through the TMR1H Buffer register. The Timer1 high byte is updated with the contents of TMR1H when a write occurs to TMR1L. This allows a user to write all 16 bits to both the high and low bytes of Timer1 at once.

The high byte of Timer1 is not directly readable or writable in this mode. All reads and writes must take place through the Timer1 High Byte Buffer register. Writes to TMR1H do not clear the Timer1 prescaler. The prescaler is only cleared on writes to TMR1L.

## 13.3 Timer1 Oscillator

An on-chip crystal oscillator circuit is incorporated between pins T1OSI (input) and T1OSO (amplifier output). It is enabled by setting the Timer1 Oscillator Enable bit, T1OSCEN (T1CON<3>). The oscillator is a low-power circuit rated for 32 kHz crystals. It will continue to run during all power-managed modes. The circuit for a typical LP oscillator is shown in Figure 13-3. Table 13-1 shows the capacitor selection for the Timer1 oscillator.

The user must provide a software time delay to ensure proper start-up of the Timer1 oscillator.

**FIGURE 13-3: EXTERNAL COMPONENTS FOR THE TIMER1 LP OSCILLATOR**



**TABLE 13-1: CAPACITOR SELECTION FOR THE TIMER OSCILLATOR<sup>(2,3,4)</sup>**

| Osc Type | Freq   | C1                   | C2                   |
|----------|--------|----------------------|----------------------|
| LP       | 32 kHz | 27 pF <sup>(1)</sup> | 27 pF <sup>(1)</sup> |

**Note 1:** Microchip suggests these values as a starting point in validating the oscillator circuit.

**2:** Higher capacitance increases the stability of the oscillator but also increases the start-up time.

**3:** Since each resonator/crystal has its own characteristics, the user should consult the resonator/crystal manufacturer for appropriate values of external components.

**4:** Capacitor values are for design guidance only.

### 13.3.1 USING TIMER1 AS A CLOCK SOURCE

The Timer1 oscillator is also available as a clock source in power-managed modes. By setting the clock select bits, SCS<1:0> (OSCCON<1:0>), to '01', the device switches to SEC\_RUN mode; both the CPU and peripherals are clocked from the Timer1 oscillator. If the IDLEN bit (OSCCON<7>) is cleared and a SLEEP instruction is executed, the device enters SEC\_IDLE mode. Additional details are available in **Section 3.0 "Power-Managed Modes"**.

Whenever the Timer1 oscillator is providing the clock source, the Timer1 system clock status flag, T1RUN (T1CON<6>), is set. This can be used to determine the controller's current clocking mode. It can also indicate the clock source being currently used by the Fail-Safe Clock Monitor. If the Clock Monitor is enabled and the Timer1 oscillator fails while providing the clock, polling the T1RUN bit will indicate whether the clock is being provided by the Timer1 oscillator or another source.

### 13.3.2 LOW-POWER TIMER1 OPTION

The Timer1 oscillator can operate at two distinct levels of power consumption based on device configuration. When the LPT1OSC Configuration bit is set, the Timer1 oscillator operates in a low-power mode. When LPT1OSC is not set, Timer1 operates at a higher power level. Power consumption for a particular mode is relatively constant, regardless of the device's operating mode. The default Timer1 configuration is the higher power mode.

As the low-power Timer1 mode tends to be more sensitive to interference, high noise environments may cause some oscillator instability. The low-power option is, therefore, best suited for low noise applications where power conservation is an important design consideration.

# PIC18F8722 FAMILY

---

## 13.3.3 TIMER1 OSCILLATOR LAYOUT CONSIDERATIONS

The Timer1 oscillator circuit draws very little power during operation. Due to the low-power nature of the oscillator, it may also be sensitive to rapidly changing signals in close proximity.

The oscillator circuit, shown in Figure 13-3, should be located as close as possible to the microcontroller. There should be no circuits passing within the oscillator circuit boundaries other than VSS or VDD.

If a high-speed circuit must be located near the Timer1 oscillator, a grounded guard ring around the oscillator circuit may be helpful when used on a single-sided PCB or in addition to a ground plane.

## 13.4 Timer1 Interrupt

The TMR1 register pair (TMR1H:TMR1L) increments from 0000h to FFFFh and rolls over to 0000h. The Timer1 interrupt, if enabled, is generated on overflow, which is latched in interrupt flag bit, TMR1IF (PIR1<0>). This interrupt can be enabled or disabled by setting or clearing the Timer1 Interrupt Enable bit, TMR1IE (PIE1<0>).

## 13.5 Resetting Timer1 Using the CCP Special Event Trigger

If any of the CCP modules are configured to use Timer1 and generate a Special Event Trigger in Compare mode (CCPxM<3:0>, this signal will reset Timer1. The trigger from the ECCP2 module will also start an A/D conversion if the A/D module is enabled (see **Section 17.3.4 “Special Event Trigger”** for more information).

The module must be configured as either a timer or a synchronous counter to take advantage of this feature. When used this way, the CCPRH:CCPRL register pair effectively becomes a period register for Timer1.

If Timer1 is running in Asynchronous Counter mode, this Reset operation may not work.

In the event that a write to Timer1 coincides with a Special Event Trigger, the write operation will take precedence.

|  |
|--|
| <b>Note:</b> The Special Event Triggers from the CCPx module will not set the TMR1IF interrupt flag bit (PIR1<0>). |
|--|

## 13.6 Using Timer1 as a Real-Time Clock

Adding an external LP oscillator to Timer1 (such as the one described in **Section 13.3 “Timer1 Oscillator”** above) gives users the option to include RTC functionality to their applications. This is accomplished with an inexpensive watch crystal to provide an accurate time base and several lines of application code to calculate the time. When operating in Sleep mode and using a battery or supercapacitor as a power source, it can completely eliminate the need for a separate RTC device and battery backup.

The application code routine, *RTCISR*, shown in Example 13-1, demonstrates a simple method to increment a counter at one-second intervals using an Interrupt Service Routine. Incrementing the TMR1 register pair to overflow triggers the interrupt and calls the routine, which increments the seconds counter by one; additional counters for minutes and hours are incremented as the previous counter overflow.

Since the register pair is 16 bits wide, counting up to overflow the register directly from a 32.768 kHz clock would take 2 seconds. To force the overflow at the required one-second intervals, it is necessary to preload it; the simplest method is to set the MSb of TMR1H with a *BSF* instruction. Note that the TMR1L register is never preloaded or altered; doing so may introduce cumulative error over many cycles.

For this method to be accurate, Timer1 must operate in Asynchronous mode and the Timer1 overflow interrupt must be enabled (PIE1<0> = 1), as shown in the routine, *RTCinit*. The Timer1 oscillator must also be enabled and running at all times.

# PIC18F8722 FAMILY

## EXAMPLE 13-1: IMPLEMENTING A REAL-TIME CLOCK USING A TIMER1 INTERRUPT SERVICE

```

RTCinit
    MOVLW    80h           ; Preload TMR1 register pair
    MOVWF   TMR1H         ; for 1 second overflow
    CLRF    TMR1L
    MOVLW   b'00001111'   ; Configure for external clock,
    MOVWF   T1CON         ; Asynchronous operation, external oscillator
    CLRF    secs          ; Initialize timekeeping registers
    CLRF    mins          ;
    MOVLW   .12
    MOVWF   hours
    BSF     PIE1, TMR1IE  ; Enable Timer1 interrupt
    RETURN

RTCisr
    BSF     TMR1H, 7      ; Preload for 1 sec overflow
    BCF     PIR1, TMR1IF ; Clear interrupt flag
    INCF    secs, F       ; Increment seconds
    MOVLW   .59          ; 60 seconds elapsed?
    CPFSGT secs          ;
    RETURN              ; No, done
    CLRF    secs          ; Clear seconds
    INCF    mins, F      ; Increment minutes
    MOVLW   .59          ; 60 minutes elapsed?
    CPFSGT mins          ;
    RETURN              ; No, done
    CLRF    mins         ; clear minutes
    INCF    hours, F     ; Increment hours
    MOVLW   .23          ; 24 hours elapsed?
    CPFSGT hours          ;
    RETURN              ; No, done
    CLRF    hours        ; Reset hours
    RETURN              ; Done
    
```

**TABLE 13-2: REGISTERS ASSOCIATED WITH TIMER1 AS A TIMER/COUNTER**

| Name   | Bit 7                     | Bit 6     | Bit 5   | Bit 4   | Bit 3   | Bit 2           | Bit 1  | Bit 0  | Reset Values on page |
|--------|---------------------------|-----------|---------|---------|---------|-----------------|--------|--------|----------------------|
| INTCON | GIE/GIEH                  | PEIE/GIEL | TMR0IE  | INT0IE  | RBIE    | TMR0IF          | INT0IF | RBIF   | 57                   |
| PIR1   | PSPIF                     | ADIF      | RC1IF   | TX1IF   | SSP1IF  | CCP1IF          | TMR2IF | TMR1IF | 60                   |
| PIE1   | PSPIE                     | ADIE      | RC1IE   | TX1IE   | SSP1IE  | CCP1IE          | TMR2IE | TMR1IE | 60                   |
| IPR1   | PSPIP                     | ADIP      | RC1IP   | TX1IP   | SSP1IP  | CCP1IP          | TMR2IP | TMR1IP | 60                   |
| TMR1L  | Timer1 Register Low Byte  |           |         |         |         |                 |        |        | 58                   |
| TMR1H  | Timer1 Register High Byte |           |         |         |         |                 |        |        | 58                   |
| T1CON  | RD16                      | T1RUN     | T1CKPS1 | T1CKPS0 | T1OSCEN | T1SYN $\bar{C}$ | TMR1CS | TMR1ON | 58                   |

**Legend:** Shaded cells are not used by the Timer1 module.

# PIC18F8722 FAMILY

---

NOTES:

## 14.0 TIMER2 MODULE

The Timer2 timer module incorporates the following features:

- 8-bit Timer and Period registers (TMR2 and PR2, respectively)
- Readable and writable (both registers)
- Software programmable prescaler (1:1, 1:4 and 1:16)
- Software programmable postscaler (1:1 through 1:16)
- Interrupt on TMR2 to PR2 match
- Optional use as the shift clock for the MSSPx module

The module is controlled through the T2CON register (Register 14-1), which enables or disables the timer and configures the prescaler and postscaler. Timer2 can be shut off by clearing control bit, TMR2ON (T2CON<2>), to minimize power consumption.

A simplified block diagram of the module is shown in Figure 14-1.

## 14.1 Timer2 Operation

In normal operation, TMR2 is incremented from 00h on each clock ( $F_{osc}/4$ ). A 4-bit counter/prescaler on the clock input gives direct input, divide-by-4 and divide-by-16 prescale options; these are selected by the prescaler control bits, T2CKPS<1:0> (T2CON<1:0>). The value of TMR2 is compared to that of the period register, PR2, on each clock cycle. When the two values match, the comparator generates a match signal as the timer output. This signal also resets the value of TMR2 to 00h on the next cycle and drives the output counter/postscaler (see Section 14.2 “Timer2 Interrupt”).

The TMR2 and PR2 registers are both directly readable and writable. The TMR2 register is cleared on any device Reset, while the PR2 register initializes at FFh. Both the prescaler and postscaler counters are cleared on the following events:

- a write to the TMR2 register
- a write to the T2CON register
- any device Reset (Power-on Reset,  $\overline{MCLR}$  Reset, Watchdog Timer Reset or Brown-out Reset)

TMR2 is not cleared when T2CON is written.

### REGISTER 14-1: T2CON: TIMER2 CONTROL REGISTER

|       |          |          |          |          |        |         |         |
|-------|----------|----------|----------|----------|--------|---------|---------|
| U-0   | R/W-0    | R/W-0    | R/W-0    | R/W-0    | R/W-0  | R/W-0   | R/W-0   |
| —     | T2OUTPS3 | T2OUTPS2 | T2OUTPS1 | T2OUTPS0 | TMR2ON | T2CKPS1 | T2CKPS0 |
| bit 7 |          |          |          |          |        |         | bit 0   |

#### Legend:

R = Readable bit  
-n = Value at POR

W = Writable bit  
'1' = Bit is set

U = Unimplemented bit, read as '0'  
'0' = Bit is cleared

x = Bit is unknown

|         |  |
|---------|--|
| bit 7   | <b>Unimplemented:</b> Read as '0'  |
| bit 6-3 | <b>T2OUTPS&lt;3:0&gt;:</b> Timer2 Output Postscale Select bits<br>0000 = 1:1 Postscale<br>0001 = 1:2 Postscale<br>•<br>•<br>•<br>1111 = 1:16 Postscale |
| bit 2   | <b>TMR2ON:</b> Timer2 On bit<br>1 = Timer2 is on<br>0 = Timer2 is off  |
| bit 1-0 | <b>T2CKPS&lt;1:0&gt;:</b> Timer2 Clock Prescale Select bits<br>00 = Prescaler is 1<br>01 = Prescaler is 4<br>1x = Prescaler is 16                      |

# PIC18F8722 FAMILY

## 14.2 Timer2 Interrupt

Timer2 also can generate an optional device interrupt. The Timer2 output signal (TMR2 to PR2 match) provides the input for the 4-bit output counter/postscaler. This counter generates the TMR2 match interrupt flag which is latched in TMR2IF (PIR1<1>). The interrupt is enabled by setting the TMR2 Match Interrupt Enable bit, TMR2IE (PIE1<1>).

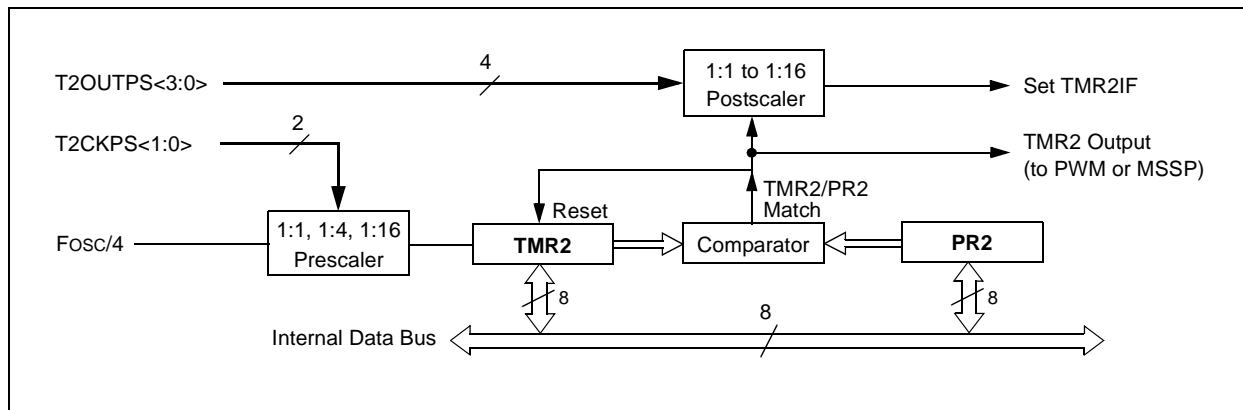
A range of 16 postscale options (from 1:1 through 1:16 inclusive) can be selected with the postscaler control bits, T2OUTPS<3:0> (T2CON<6:3>).

## 14.3 Timer2 Output

The unscaled output of TMR2 is available primarily to the CCP modules, where it is used as a time base for operations in PWM mode.

Timer2 can be optionally used as the shift clock source for the MSSP module operating in SPI mode. Additional information is provided in **Section 19.0 “Master Synchronous Serial Port (MSSP) Module”**.

**FIGURE 14-1: TIMER2 BLOCK DIAGRAM**



**TABLE 14-1: REGISTERS ASSOCIATED WITH TIMER2 AS A TIMER/COUNTER**

| Name   | Bit 7                  | Bit 6     | Bit 5    | Bit 4    | Bit 3    | Bit 2  | Bit 1   | Bit 0   | Reset Values on page |
|--------|------------------------|-----------|----------|----------|----------|--------|---------|---------|----------------------|
| INTCON | GIE/GIEH               | PEIE/GIEL | TMR0IE   | INT0IE   | RBIE     | TMR0IF | INT0IF  | RBIF    | 57                   |
| PIR1   | PSPIF                  | ADIF      | RC1IF    | TX1IF    | SSP1IF   | CCP1IF | TMR2IF  | TMR1IF  | 60                   |
| PIE1   | PSPIE                  | ADIE      | RC1IE    | TX1IE    | SSP1IE   | CCP1IE | TMR2IE  | TMR1IE  | 60                   |
| IPR1   | PSPIP                  | ADIP      | RC1IP    | TX1IP    | SSP1IP   | CCP1IP | TMR2IP  | TMR1IP  | 60                   |
| TMR2   | Timer2 Register        |           |          |          |          |        |         |         | 58                   |
| T2CON  | —                      | T2OUTPS3  | T2OUTPS2 | T2OUTPS1 | T2OUTPS0 | TMR2ON | T2CKPS1 | T2CKPS0 | 58                   |
| PR2    | Timer2 Period Register |           |          |          |          |        |         |         | 58                   |

**Legend:** — = unimplemented, read as '0'. Shaded cells are not used by the Timer2 module.

# PIC18F8722 FAMILY

## 15.0 TIMER3 MODULE

The Timer3 timer/counter module incorporates these features:

- Software selectable operation as a 16-bit timer or counter
- Readable and writable 8-bit registers (TMR3H and TMR3L)
- Selectable clock source (internal or external) with device clock or Timer1 oscillator internal options
- Interrupt-on-overflow
- Module Reset on CCP Special Event Trigger

A simplified block diagram of the Timer3 module is shown in Figure 15-1. A block diagram of the module's operation in Read/Write mode is shown in Figure 15-2.

The Timer3 module is controlled through the T3CON register (Register 15-1). It also selects the clock source options for the CCP modules (see **Section 17.1.1 “CCP Modules and Timer Resources”** for more information).

### REGISTER 15-1: T3CON: TIMER3 CONTROL REGISTER

| R/W-0 | R/W-0  | R/W-0   | R/W-0   | R/W-0  | R/W-0  | R/W-0  | R/W-0  |
|-------|--------|---------|---------|--------|--------|--------|--------|
| RD16  | T3CCP2 | T3CKPS1 | T3CKPS0 | T3CCP1 | T3SYNC | TMR3CS | TMR3ON |
| bit 7 |        |         |         |        |        |        | bit 0  |

#### Legend:

|                   |                  |                                    |
|-------------------|------------------|------------------------------------|
| R = Readable bit  | W = Writable bit | U = Unimplemented bit, read as '0' |
| -n = Value at POR | '1' = Bit is set | '0' = Bit is cleared               |
|                   |                  | x = Bit is unknown                 |

- bit 7      **RD16:** 16-Bit Read/Write Mode Enable bit  
 1 = Enables register read/write of Timer3 in one 16-bit operation  
 0 = Enables register read/write of Timer3 in two 8-bit operations
- bit 6, 3      **T3CCP<2:1>:** Timer3 and Timer1 to CCPx Enable bits  
 11 = Timer3 and Timer4 are the clock sources for ECCP1, ECCP2, ECCP3, CCP4 and CCP5  
 10 = Timer3 and Timer4 are the clock sources for ECCP3, CCP4 and CCP5;  
 Timer1 and Timer2 are the clock sources for ECCP1 and ECCP2  
 01 = Timer3 and Timer4 are the clock sources for ECCP2, ECCP3, CCP4 and CCP5;  
 Timer1 and Timer2 are the clock sources for ECCP1  
 00 = Timer1 and Timer2 are the clock sources for ECCP1, ECCP2, ECCP3, CCP4 and CCP5
- bit 5-4      **T3CKPS<1:0>:** Timer3 Input Clock Prescale Select bits  
 11 = 1:8 Prescale value  
 10 = 1:4 Prescale value  
 01 = 1:2 Prescale value  
 00 = 1:1 Prescale value
- bit 2      **T3SYNC:** Timer3 External Clock Input Synchronization Control bit  
 (Not usable if the device clock comes from Timer1/Timer3.)  
When TMR3CS = 1:  
 1 = Do not synchronize external clock input  
 0 = Synchronize external clock input  
When TMR3CS = 0:  
 This bit is ignored. Timer3 uses the internal clock when TMR3CS = 0.
- bit 1      **TMR3CS:** Timer3 Clock Source Select bit  
 1 = External clock input from Timer1 oscillator or T13CKI (on the rising edge after the first falling edge)  
 0 = Internal clock (FOSC/4)
- bit 0      **TMR3ON:** Timer3 On bit  
 1 = Enables Timer3  
 0 = Stops Timer3

# PIC18F8722 FAMILY

## 15.1 Timer3 Operation

Timer3 can operate in one of three modes:

- Timer
- Synchronous Counter
- Asynchronous Counter

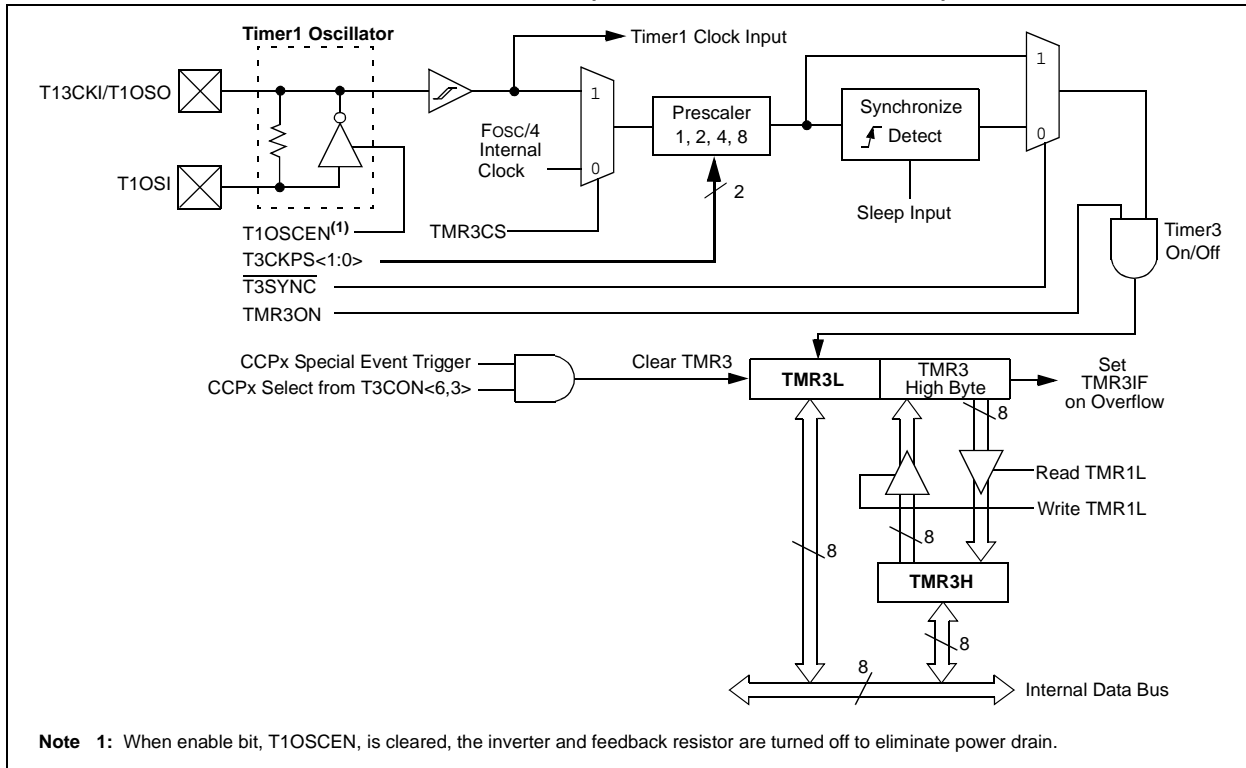
The operating mode is determined by the clock select bit, TMR3CS (T3CON<1>). When TMR3CS is cleared (= 0), Timer3 increments on every internal instruction cycle ( $F_{OSC}/4$ ). When the bit is set, Timer3 increments on every rising edge of the Timer1 external clock input or the Timer1 oscillator, if enabled.

As with Timer1, the RC1/T1OSI and RC0/T1OSO/T13CKI pins become inputs when the Timer1 oscillator is enabled. This means the values of TRISC<1:0> are ignored and the pins are read as '0'.

**FIGURE 15-1: TIMER3 BLOCK DIAGRAM**



**FIGURE 15-2: TIMER3 BLOCK DIAGRAM (16-BIT READ/WRITE MODE)**





## 15.2 Timer3 16-bit Read/Write Mode

Timer3 can be configured for 16-bit reads and writes (see Figure 15-2). When the RD16 control bit (T3CON<7>) is set, the address for TMR3H is mapped to a buffer register for the high byte of Timer3. A read from TMR3L will load the contents of the high byte of Timer3 into the Timer3 High Byte Buffer register. This provides the user with the ability to accurately read all 16 bits of Timer3 without having to determine whether a read of the high byte, followed by a read of the low byte, has become invalid due to a rollover between reads.

A write to the high byte of Timer3 must also take place through the TMR3H Buffer register. The Timer3 high byte is updated with the contents of TMR3H when a write occurs to TMR3L. This allows a user to write all 16 bits to both the high and low bytes of Timer3 at once.

The high byte of Timer3 is not directly readable or writable in this mode. All reads and writes must take place through the Timer3 High Byte Buffer register.

Writes to TMR3H do not clear the Timer3 prescaler. The prescaler is only cleared on writes to TMR3L.

## 15.3 Using the Timer1 Oscillator as the Timer3 Clock Source

The Timer1 internal oscillator may be used as the clock source for Timer3. The Timer1 oscillator is enabled by setting the T1OSCEN (T1CON<3>) bit. To use it as the Timer3 clock source, the TMR3CS bit must also be set. As previously noted, this also configures Timer3 to increment on every rising edge of the oscillator source.

The Timer1 oscillator is described in **Section 13.0 “Timer1 Module”**.

## 15.4 Timer3 Interrupt

The TMR3 register pair (TMR3H:TMR3L) increments from 0000h to FFFFh and overflows to 0000h. The Timer3 interrupt, if enabled, is generated on overflow and is latched in interrupt flag bit, TMR3IF (PIR2<1>). This interrupt can be enabled or disabled by setting or clearing the Timer3 Interrupt Enable bit, TMR3IE (PIE2<1>).

## 15.5 Resetting Timer3 Using the CCP Special Event Trigger

If any of the CCP modules are configured to use Timer3 and to generate a Special Event Trigger in Compare mode (CCPxM<3:0> = 1011), this signal will reset Timer3. ECCP2 can also start an A/D conversion if the A/D module is enabled (see **Section 17.3.4 “Special Event Trigger”** for more information).

The module must be configured as either a timer or synchronous counter to take advantage of this feature. When used this way, the CCPxH:CCPxL register pair effectively becomes a period register for Timer3.

If Timer3 is running in Asynchronous Counter mode, the Reset operation may not work.

In the event that a write to Timer3 coincides with a Special Event Trigger from a CCP module, the write will take precedence.

**Note:** The Special Event Triggers from the CCPx module will not set the TMR3IF interrupt flag bit (PIR2<1>).

**TABLE 15-1: REGISTERS ASSOCIATED WITH TIMER3 AS A TIMER/COUNTER**

| Name   | Bit 7                     | Bit 6     | Bit 5   | Bit 4   | Bit 3   | Bit 2           | Bit 1  | Bit 0  | Reset Values on page |
|--------|---------------------------|-----------|---------|---------|---------|-----------------|--------|--------|----------------------|
| INTCON | GIE/GIEH                  | PEIE/GIEL | TMR0IE  | INT0IE  | RBIE    | TMR0IF          | INT0IF | RBIF   | 57                   |
| PIR2   | OSCFIF                    | CMIF      | —       | EEIF    | BCL1IF  | HLVDIF          | TMR3IF | CCP2IF | 60                   |
| PIE2   | OSCFIE                    | CMIE      | —       | EEIE    | BCL1IE  | HLVDIE          | TMR3IE | CCP2IE | 60                   |
| IPR2   | OSCFIP                    | CMIP      | —       | EEIP    | BCL1IP  | HLVDIP          | TMR3IP | CCP2IP | 60                   |
| TMR3L  | Timer3 Register Low Byte  |           |         |         |         |                 |        |        | 59                   |
| TMR3H  | Timer3 Register High Byte |           |         |         |         |                 |        |        | 59                   |
| T1CON  | RD16                      | T1RUN     | T1CKPS1 | T1CKPS0 | T1OSCEN | T1SYN $\bar{C}$ | TMR1CS | TMR1ON | 58                   |
| T3CON  | RD16                      | T3CCP2    | T3CKPS1 | T3CKPS0 | T3CCP1  | T3SYN $\bar{C}$ | TMR3CS | TMR3ON | 59                   |

**Legend:** — = unimplemented, read as '0'. Shaded cells are not used by the Timer3 module.

# PIC18F8722 FAMILY

---

NOTES:

# PIC18F8722 FAMILY

## 16.0 TIMER4 MODULE

The Timer4 timer module has the following features:

- 8-bit Timer register (TMR4)
- 8-bit Period register (PR4)
- Readable and writable (both registers)
- Software programmable prescaler (1:1, 1:4, 1:16)
- Software programmable postscaler (1:1 to 1:16)
- Interrupt on TMR4 match of PR4

Timer4 has a control register shown in Register 16-1. Timer4 can be shut off by clearing control bit, TMR4ON (T4CON<2>), to minimize power consumption. The prescaler and postscaler selection of Timer4 are also controlled by this register. Figure 16-1 is a simplified block diagram of the Timer4 module.

## 16.1 Timer4 Operation

Timer4 can be used as the PWM time base for the PWM mode of the CCP modules. The TMR4 register is readable and writable and is cleared on any device Reset. The input clock (FOSC/4) has a prescale option of 1:1, 1:4 or 1:16, selected by control bits T4CKPS<1:0> (T4CON<1:0>). The match output of TMR4 goes through a 4-bit postscaler (which gives a 1:1 to 1:16 scaling inclusive) to generate a TMR4 interrupt, latched in flag bit, TMR4IF (PIR3<3>).

The prescaler and postscaler counters are cleared when any of the following occurs:

- a write to the TMR4 register
- a write to the T4CON register
- any device Reset (Power-on Reset,  $\overline{\text{MCLR}}$  Reset, Watchdog Timer Reset or Brown-out Reset)

TMR4 is not cleared when T4CON is written.

**REGISTER 16-1: T4CON: TIMER4 CONTROL REGISTER**

|       |          |          |          |          |        |         |         |
|-------|----------|----------|----------|----------|--------|---------|---------|
| U-0   | R/W-0    | R/W-0    | R/W-0    | R/W-0    | R/W-0  | R/W-0   | R/W-0   |
| —     | T4OUTPS3 | T4OUTPS2 | T4OUTPS1 | T4OUTPS0 | TMR4ON | T4CKPS1 | T4CKPS0 |
| bit 7 |          |          |          |          |        |         | bit 0   |

**Legend:**

|                   |                  |                                    |
|-------------------|------------------|------------------------------------|
| R = Readable bit  | W = Writable bit | U = Unimplemented bit, read as '0' |
| -n = Value at POR | '1' = Bit is set | '0' = Bit is cleared               |
|                   |                  | x = Bit is unknown                 |

- bit 7 **Unimplemented:** Read as '0'
- bit 6-3 **T4OUTPS<3:0>:** Timer4 Output Postscale Select bits
  - 0000 = 1:1 Postscale
  - 0001 = 1:2 Postscale
  - 
  - 
  - 
  - 1111 = 1:16 Postscale
- bit 2 **TMR4ON:** Timer4 On bit
  - 1 = Timer4 is on
  - 0 = Timer4 is off
- bit 1-0 **T4CKPS<1:0>:** Timer4 Clock Prescale Select bits
  - 00 = Prescaler is 1
  - 01 = Prescaler is 4
  - 1x = Prescaler is 16

# PIC18F8722 FAMILY

## 16.2 Timer4 Interrupt

The Timer4 module has an 8-bit Period register, PR4, which is both readable and writable. Timer4 increments from 00h until it matches PR4 and then resets to 00h on the next increment cycle. The PR4 register is initialized to FFh upon Reset.

## 16.3 Output of TMR4

The output of TMR4 (before the postscaler) is used only as a PWM time base for the CCP modules. It is not used as a baud rate clock for the MSSP, as is the Timer2 output.

**FIGURE 16-1: TIMER4 BLOCK DIAGRAM**



**TABLE 16-1: REGISTERS ASSOCIATED WITH TIMER4 AS A TIMER/COUNTER**

| Name   | Bit 7                  | Bit 6     | Bit 5    | Bit 4    | Bit 3    | Bit 2  | Bit 1   | Bit 0   | Reset Values on page |
|--------|------------------------|-----------|----------|----------|----------|--------|---------|---------|----------------------|
| INTCON | GIE/GIEH               | PEIE/GIEL | TMR0IE   | INT0IE   | RBIE     | TMR0IF | INT0IF  | RBIF    | 57                   |
| IPR3   | SSP2IP                 | BCL2IP    | RC2IP    | TX2IP    | TMR4IP   | CCP5IP | CCP4IP  | CCP3IP  | 60                   |
| PIR3   | SSP2IF                 | BCL2IF    | RC2IF    | TX2IF    | TMR4IF   | CCP5IF | CCP4IF  | CCP3IF  | 60                   |
| PIE3   | SSP2IE                 | BCL2IE    | RC2IE    | TX2IE    | TMR4IE   | CCP5IE | CCP4IE  | CCP3IE  | 60                   |
| TMR4   | Timer4 Register        |           |          |          |          |        |         |         | 61                   |
| T4CON  | —                      | T4OUTPS3  | T4OUTPS2 | T4OUTPS1 | T4OUTPS0 | TMR4ON | T4CKPS1 | T4CKPS0 | 61                   |
| PR4    | Timer4 Period Register |           |          |          |          |        |         |         | 61                   |

**Legend:** x = unknown, u = unchanged, — = unimplemented, read as '0'. Shaded cells are not used by the Timer4 module.

## 17.0 CAPTURE/COMPARE/PWM (CCP) MODULES

The PIC18F8722 family of devices all have a total of five CCP (Capture/Compare/PWM) modules. Two of these (CCP4 and CCP5) implement standard Capture, Compare and Pulse-Width Modulation (PWM) modes and are discussed in this section. The other three modules (ECCP1, ECCP2, ECCP3) implement standard Capture and Compare modes, as well as Enhanced PWM modes. These are discussed in **Section 18.0 “Enhanced Capture/Compare/PWM (ECCP) Module”**.

Each CCP/ECCP module contains a 16-bit register which can operate as a 16-bit Capture register, a 16-bit Compare register or a PWM Master/Slave Duty Cycle register. For the sake of clarity, all CCP module operations in the following sections are described with respect to CCP4, but are equally applicable to CCP5.

Capture and Compare operations described in this chapter apply to all standard and Enhanced CCP modules. The operations of PWM mode described in **Section 17.4 “PWM Mode”** apply to CCP4 and CCP5 only.

**Note:** Throughout this section and **Section 18.0 “Enhanced Capture/Compare/PWM (ECCP) Module”**, references to register and bit names that may be associated with a specific CCP module are referred to generically by the use of ‘x’ or ‘y’ in place of the specific module number. Thus, “CCPxCON” might refer to the control register for CCP4 or CCP5, or ECCP1, ECCP2 or ECCP3. “CCPxCON” is used throughout these sections to refer to the module control register, regardless of whether the CCP module is a standard or enhanced implementation.

**REGISTER 17-1: CCPxCON: CCPx CONTROL REGISTER (CCP4 AND CCP5 MODULES)**

|       |     |       |       |        |        |        |        |
|-------|-----|-------|-------|--------|--------|--------|--------|
| U-0   | U-0 | R/W-0 | R/W-0 | R/W-0  | R/W-0  | R/W-0  | R/W-0  |
| —     | —   | DCxB1 | DCxB0 | CCPxM3 | CCPxM2 | CCPxM1 | CCPxM0 |
| bit 7 |     |       |       |        |        |        | bit 0  |

**Legend:**

|                   |                  |  |
|-------------------|------------------|--|
| R = Readable bit  | W = Writable bit | U = Unimplemented bit, read as ‘0’           |
| -n = Value at POR | ‘1’ = Bit is set | ‘0’ = Bit is cleared      x = Bit is unknown |

bit 7-6      **Unimplemented:** Read as ‘0’

bit 5-4      **DCxB<1:0>:** PWM Duty Cycle bit 1 and bit 0 for CCP Module x

Capture mode:

Unused.

Compare mode:

Unused.

PWM mode:

These bits are the two Least Significant bits (bit 1 and bit 0) of the 10-bit PWM duty cycle. The eight Most Significant bits (DCx<9:2>) of the duty cycle are found in CCPRxL.

bit 3-0      **CCPxM<3:0>:** CCP Module x Mode Select bits

0000 = Capture/Compare/PWM disabled; resets CCPx module

0001 = Reserved

0010 = Compare mode, toggle output on match; CCPxIF bit is set

0011 = Reserved

0100 = Capture mode, every falling edge

0101 = Capture mode, every rising edge

0110 = Capture mode, every 4th rising edge

0111 = Capture mode, every 16th rising edge

1000 = Compare mode, initialize CCPx pin low; on compare match, force CCPx pin high; CCPxIF bit is set

1001 = Compare mode, initialize CCPx pin high; on compare match, force CCPx pin low; CCPxIF bit is set

1010 = Compare mode, generate software interrupt on compare match; CCPxIF bit is set; CCPx pin reflects I/O state

1011 = Compare mode, trigger special event; CCPxIF bit is set, CCPx pin is unaffected (For the effects of the trigger, see **Section 17.3.4 “Special Event Trigger”**.)

11xx = PWM mode

# PIC18F8722 FAMILY

## 17.1 CCP Module Configuration

Each Capture/Compare/PWM module is associated with a control register (generically, CCPxCON) and a data register (CCPRx). The data register, in turn, is comprised of two 8-bit registers: CCPRxL (low byte) and CCPRxH (high byte). All registers are both readable and writable.

### 17.1.1 CCP MODULES AND TIMER RESOURCES

The CCP/ECCP modules utilize Timers 1, 2, 3 or 4, depending on the mode selected. Timer1 and Timer3 are available to modules in Capture or Compare modes, while Timer2 and Timer4 are available for modules in PWM mode.

**TABLE 17-1: CCP MODE – TIMER RESOURCE**

| CCP Mode | Timer Resource   |
|----------|------------------|
| Capture  | Timer1 or Timer3 |
| Compare  | Timer1 or Timer3 |
| PWM      | Timer2 or Timer4 |

The assignment of a particular timer to a module is determined by the Timer to CCP enable bits in the T3CON register (Register 15-1). Depending on the configuration selected, up to four timers may be active at once, with modules in the same configuration (Capture/Compare or PWM) sharing timer resources. The possible configurations are shown in Figure 17-1.

### 17.1.2 ECCP2 PIN ASSIGNMENT

The pin assignment for ECCP2 (Capture input, Compare and PWM output) can change, based on device configuration. The CCP2MX Configuration bit determines which pin ECCP2 is multiplexed to. By default, it is assigned to RC1 (CCP2MX = 1). If the Configuration bit is cleared, ECCP2 is multiplexed with RE7 in Microcontroller mode, or RE3 in all other modes.

Changing the pin assignment of ECCP2 does not automatically change any requirements for configuring the port pin. Users must always verify that the appropriate TRIS register is configured correctly for ECCP2 operation regardless of where it is located.

**FIGURE 17-1: CCP AND TIMER INTERCONNECT CONFIGURATIONS**



## 17.2 Capture Mode

In Capture mode, the CCPxH:CCPxL register pair captures the 16-bit value of the TMR1 or TMR3 registers when an event occurs on the corresponding CCPx pin. An event is defined as one of the following:

- every falling edge
- every rising edge
- every 4th rising edge
- every 16th rising edge

The event is selected by the mode select bits, CCPxM<3:0> (CCPxCON<3:0>). When a capture is made, the interrupt request flag bit, CCPxIF, is set; it must be cleared in software. If another capture occurs before the value in the CCPx registers is read, the old captured value is overwritten by the new captured value.

### 17.2.1 CCPx PIN CONFIGURATION

In Capture mode, the appropriate CCPx pin should be configured as an input by setting the corresponding TRIS direction bit.

**Note:** If a CCPx pin is configured as an output, a write to the port can cause a capture condition.

### 17.2.2 TIMER1/TIMER3 MODE SELECTION

The timers that are to be used with the capture feature (Timer1 and/or Timer3) must be running in Timer mode or Synchronized Counter mode. In Asynchronous Counter mode, the capture operation will not work. The timer to be used with each CCP module is selected in the T3CON register (see **Section 17.1.1 “CCP Modules and Timer Resources”**).

### 17.2.3 SOFTWARE INTERRUPT

When the Capture mode is changed, a false capture interrupt may be generated. The user should keep the CCPxIE interrupt enable bit clear to avoid false interrupts. The interrupt flag bit, CCPxIF, should also be cleared following any such change in operating mode.

### 17.2.4 CCP PRESCALER

There are four prescaler settings in Capture mode; they are specified as part of the operating mode selected by the mode select bits (CCPxM<3:0>). Whenever the CCP module is turned off, or Capture mode is disabled, the prescaler counter is cleared. This means that any Reset will clear the prescaler counter.

Switching from one capture prescaler to another may generate an interrupt. Also, the prescaler counter will not be cleared; therefore, the first capture may be from a non-zero prescaler. Example 17-1 shows the recommended method for switching between capture prescalers. This example also clears the prescaler counter and will not generate the “false” interrupt.

#### EXAMPLE 17-1: CHANGING BETWEEN CAPTURE PRESCALERS (CCP5 SHOWN)

```

CLRf  CCP5CON    ; Turn CCP module off
MOVLW  NEW_CAPT_PS ; Load WREG with the
                    ; new prescaler mode
                    ; value and CCP ON
MOVWF  CCP5CON    ; Load CCP5CON with
                    ; this value
    
```

**FIGURE 17-2: CAPTURE MODE OPERATION BLOCK DIAGRAM**



# PIC18F8722 FAMILY

## 17.3 Compare Mode

In Compare mode, the 16-bit value of the CCPRx registers is constantly compared against either the TMR1 or TMR3 register pair value. When a match occurs, the CCPx pin can be:

- driven high
- driven low
- toggled (high-to-low or low-to-high)
- remain unchanged (that is, reflects the state of the I/O latch)

The action on the pin is based on the value of the mode select bits (CCPxM<3:0>). At the same time, the interrupt flag bit, CCPxIF, is set.

### 17.3.1 CCPx PIN CONFIGURATION

The user must configure the CCPx pin as an output by clearing the appropriate TRIS bit.

**Note:** Clearing the CCPxCON register will force the compare output latch (depending on device configuration) to the default low level. This is not the port I/O data latch.

### 17.3.2 TIMER1/TIMER3 MODE SELECTION

Timer1 and/or Timer3 must be running in Timer mode or Synchronized Counter mode if the CCP module is using the compare feature. In Asynchronous Counter mode, the compare operation may not work.

### 17.3.3 SOFTWARE INTERRUPT MODE

When the Generate Software Interrupt mode is chosen (CCPxM<3:0> = 1010), the corresponding CCPx pin is not affected. Only a CCP interrupt is generated, if enabled and the CCPxIE bit is set.

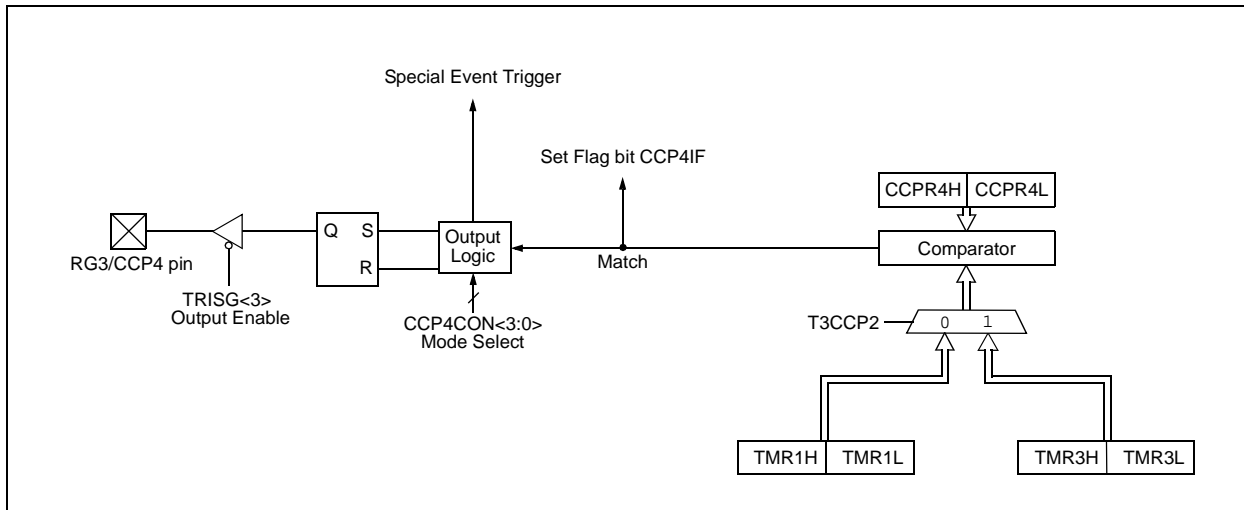
### 17.3.4 SPECIAL EVENT TRIGGER

All CCP modules are equipped with a Special Event Trigger. This is an internal hardware signal generated in Compare mode to trigger actions by other modules. The Special Event Trigger is enabled by selecting the Compare Special Event Trigger mode (CCPxM<3:0> = 1011).

For all CCP modules, the Special Event Trigger resets the timer register pair for whichever timer resource is currently assigned as the module's time base. This allows the CCPRx registers to serve as a programmable period register for either timer.

The ECCP2 Special Event Trigger can also start an A/D conversion. In order to do this, the A/D converter must already be enabled.

FIGURE 17-3: COMPARE MODE OPERATION BLOCK DIAGRAM





# PIC18F8722 FAMILY

**TABLE 17-2: REGISTERS ASSOCIATED WITH CAPTURE, COMPARE, TIMER1 AND TIMER3**

| Name                 | Bit 7   | Bit 6     | Bit 5   | Bit 4       | Bit 3       | Bit 2                 | Bit 1        | Bit 0        | Reset Values on page |
|----------------------|---|-----------|---------|-------------|-------------|-----------------------|--------------|--------------|----------------------|
| INTCON               | GIE/GIEH  | PEIE/GIEL | TMR0IE  | INT0IE      | RBIE        | TMR0IF                | INT0IF       | RBIF         | 57                   |
| RCON                 | IPEN  | SBOREN    | —       | R $\bar{I}$ | T $\bar{O}$ | P $\bar{D}$           | P $\bar{O}R$ | B $\bar{O}R$ | 56                   |
| PIR1                 | PSPIF   | ADIF      | RC1IF   | TX1IF       | SSP1IF      | CCP1IF                | TMR2IF       | TMR1IF       | 60                   |
| PIE1                 | PSPIE   | ADIE      | RC1IE   | TX1IE       | SSP1IE      | CCP1IE                | TMR2IE       | TMR1IE       | 60                   |
| IPR1                 | PSPIP   | ADIP      | RC1IP   | TX1IP       | SSP1IP      | CCP1IP                | TMR2IP       | TMR1IP       | 60                   |
| PIR2                 | OSCFIF  | CMIF      | —       | EEIF        | BCL1IF      | HLVDIF                | TMR3IF       | CCP2IF       | 60                   |
| PIE2                 | OSCFIE  | CMIE      | —       | EEIE        | BCL1IE      | HLVDIE                | TMR3IE       | CCP2IE       | 60                   |
| IPR2                 | OSCFIP  | CMIP      | —       | EEIP        | BCL1IP      | HLVDIP                | TMR3IP       | CCP2IP       | 60                   |
| PIR3                 | SSP2IF  | BCL2IF    | RC2IF   | TX2IF       | TMR4IF      | CCP5IF                | CCP4IF       | CCP3IF       | 60                   |
| PIE3                 | SSP2IE  | BCL2IE    | RC2IE   | TX2IE       | TMR4IE      | CCP5IE                | CCP4IE       | CCP3IE       | 60                   |
| IPR3                 | SSP2IP  | BCL2IP    | RC2IP   | TX2IP       | TMR4IP      | CCP5IP                | CCP4IP       | CCP3IP       | 60                   |
| TRISB                | TRISB7  | TRISB6    | TRISB5  | TRISB4      | TRISB3      | TRISB2                | TRISB1       | TRISB0       | 60                   |
| TRISC                | TRISC7  | TRISC6    | TRISC5  | TRISC4      | TRISC3      | TRISC2                | TRISC1       | TRISC0       | 60                   |
| TRISE                | TRISE7  | TRISE6    | TRISE5  | TRISE4      | TRISE3      | TRISE2                | TRISE1       | TRISE0       | 60                   |
| TRISG                | —   | —         | —       | TRISG4      | TRISG3      | TRISG2                | TRISG1       | TRISG0       | 60                   |
| TRISH <sup>(1)</sup> | TRISH7  | TRISH6    | TRISH5  | TRISH4      | TRISH3      | TRISH2                | TRISH1       | TRISH0       | 60                   |
| TMR1L                | Timer1 Register Low Byte                          |           |         |             |             |                       |              |              | 58                   |
| TMR1H                | Timer1 Register High Byte                         |           |         |             |             |                       |              |              | 58                   |
| T1CON                | RD16  | T1RUN     | T1CKPS1 | T1CKPS0     | T1OSCEN     | T $\bar{1}SYN\bar{C}$ | TMR1CS       | TMR1ON       | 58                   |
| TMR3H                | Timer3 Register High Byte                         |           |         |             |             |                       |              |              | 59                   |
| TMR3L                | Timer3 Register Low Byte                          |           |         |             |             |                       |              |              | 59                   |
| T3CON                | RD16  | T3CCP2    | T3CKPS1 | T3CKPS0     | T3CCP1      | T $\bar{3}SYN\bar{C}$ | TMR3CS       | TMR3ON       | 59                   |
| CCPR1L               | Enhanced Capture/Compare/PWM Register 1 Low Byte  |           |         |             |             |                       |              |              | 59                   |
| CCPR1H               | Enhanced Capture/Compare/PWM Register 1 High Byte |           |         |             |             |                       |              |              | 59                   |
| CCP1CON              | P1M1  | P1M0      | DC1B1   | DC1B0       | CCP1M3      | CCP1M2                | CCP1M1       | CCP1M0       | 59                   |
| CCPR2L               | Enhanced Capture/Compare/PWM Register 2 Low Byte  |           |         |             |             |                       |              |              | 59                   |
| CCPR2H               | Enhanced Capture/Compare/PWM Register 2 High Byte |           |         |             |             |                       |              |              | 59                   |
| CCP2CON              | P2M1  | P2M0      | DC2B1   | DC2B0       | CCP2M3      | CCP2M2                | CCP2M1       | CCP2M0       | 59                   |
| CCP3CON              | P3M1  | P3M0      | DC3B1   | DC3B0       | CCP3M3      | CCP3M2                | CCP3M1       | CCP3M0       | 59                   |
| CCP4CON              | —   | —         | DC4B1   | DC4B0       | CCP4M3      | CCP4M2                | CCP4M1       | CCP4M0       | 61                   |
| CCP5CON              | —   | —         | DC5B1   | DC5B0       | CCP5M3      | CCP5M2                | CCP5M1       | CCP5M0       | 61                   |

**Legend:** — = unimplemented, read as '0'. Shaded cells are not used by Capture/Compare, Timer1 or Timer3.

**Note 1:** Implemented on 80-pin devices only.

# PIC18F8722 FAMILY

## 17.4 PWM Mode

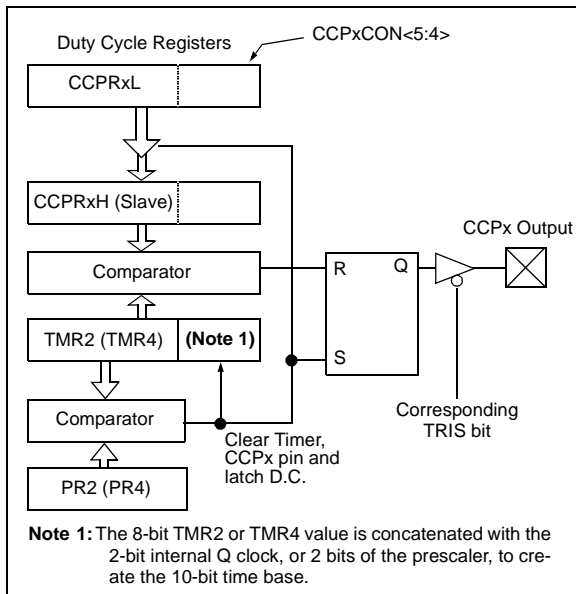
In Pulse-Width Modulation (PWM) mode, the CCPx pin produces up to a 10-bit resolution PWM output. Since the CCP4 and CCP5 pins are multiplexed with a PORTG data latch, the appropriate TRISG bit must be cleared to make the CCP4 or CCP5 pin an output.

**Note:** Clearing the CCP4CON or CCP5CON register will force the RG3 or RG4 output latch (depending on device configuration) to the default low level. This is not the PORTG I/O data latch.

Figure 17-4 shows a simplified block diagram of the CCP module in PWM mode.

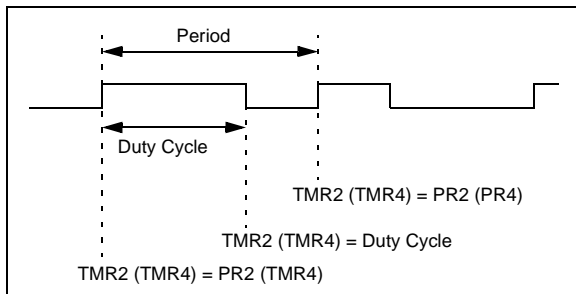
For a step-by-step procedure on how to set up a CCP module for PWM operation, see **Section 17.4.3 “Setup for PWM Operation”**.

**FIGURE 17-4: SIMPLIFIED PWM BLOCK DIAGRAM**



A PWM output (Figure 17-5) has a time base (period) and a time that the output stays high (duty cycle). The frequency of the PWM is the inverse of the period (1/period).

**FIGURE 17-5: PWM OUTPUT**



### 17.4.1 PWM PERIOD

The PWM period is specified by writing to the PR2 (PR4) register. The PWM period can be calculated using the following formula:

**EQUATION 17-1:**

$$\text{PWM Period} = [(PR2) + 1] \cdot 4 \cdot T_{osc} \cdot (\text{TMR2 Prescale Value})$$

PWM frequency is defined as 1/[PWM period].

When TMR2 (TMR4) is equal to PR2 (PR4), the following three events occur on the next increment cycle:

- TMR2 (TMR4) is cleared
- The CCPx pin is set (exception: if PWM duty cycle = 0%, the CCPx pin will not be set)
- The PWM duty cycle is latched from CCPRxL into CCPRxH

**Note:** The Timer2 and Timer 4 postscalers (see **Section 14.0 “Timer2 Module”** and **Section 16.0 “Timer4 Module”**) are not used in the determination of the PWM frequency. The postscaler could be used to have a servo update rate at a different frequency than the PWM output.

### 17.4.2 PWM DUTY CYCLE

The PWM duty cycle is specified by writing to the CCPRxL register and to the CCPxCON<5:4> bits. Up to 10-bit resolution is available. The CCPRxL contains the eight MSBs and the CCPxCON<5:4> contains the two LSbs. This 10-bit value is represented by CCPRxL:CCPxCON<5:4>. The following equation is used to calculate the PWM duty cycle in time:

**EQUATION 17-2:**

$$\text{PWM Duty Cycle} = (\text{CCPRxL:CCPxCON<5:4>}) \cdot T_{osc} \cdot (\text{TMR2 Prescale Value})$$

CCPRxL and CCPxCON<5:4> can be written to at any time, but the duty cycle value is not latched into CCPRxH until after a match between PR2 (PR4) and TMR2 (TMR4) occurs (i.e., the period is complete). In PWM mode, CCPRxH is a read-only register.

# PIC18F8722 FAMILY

The CCPRxH register and a 2-bit internal latch are used to double-buffer the PWM duty cycle. This double-buffering is essential for glitchless PWM operation.

When the CCPRxH and 2-bit latch match TMR2 (TMR4), concatenated with an internal 2-bit Q clock or 2 bits of the TMR2 (TMR4) prescaler, the CCPx pin is cleared.

The maximum PWM resolution (bits) for a given PWM frequency is given by the equation:

### EQUATION 17-3:

$$\text{PWM Resolution (max)} = \frac{\log\left(\frac{F_{\text{OSC}}}{F_{\text{PWM}}}\right)}{\log(2)} \text{ bits}$$

**Note:** If the PWM duty cycle value is longer than the PWM period, the CCPx pin will not be cleared.

### 17.4.3 SETUP FOR PWM OPERATION

The following steps should be taken when configuring the CCP module for PWM operation:

1. Set the PWM period by writing to the PR2 (PR4) register.
2. Set the PWM duty cycle by writing to the CCPRxL register and CCPxCON<5:4> bits.
3. Make the CCPx pin an output by clearing the appropriate TRIS bit.
4. Set the TMR2 (TMR4) prescale value, then enable Timer2 (Timer4) by writing to T2CON (T4CON).
5. Configure the CCPx module for PWM operation.

**TABLE 17-3: EXAMPLE PWM FREQUENCIES AND RESOLUTIONS AT 40 MHz**

| PWM Frequency              | 2.44 kHz | 9.77 kHz | 39.06 kHz | 156.25 kHz | 312.50 kHz | 416.67 kHz |
|----------------------------|----------|----------|-----------|------------|------------|------------|
| Timer Prescaler (1, 4, 16) | 16       | 4        | 1         | 1          | 1          | 1          |
| PR2 Value                  | FFh      | FFh      | FFh       | 3Fh        | 1Fh        | 17h        |
| Maximum Resolution (bits)  | 10       | 10       | 10        | 8          | 7          | 6.58       |

# PIC18F8722 FAMILY

**TABLE 17-4: REGISTERS ASSOCIATED WITH PWM, TIMER2 AND TIMER4**

| Name    | Bit 7   | Bit 6     | Bit 5    | Bit 4           | Bit 3           | Bit 2           | Bit 1            | Bit 0            | Reset Values on page |
|---------|---|-----------|----------|-----------------|-----------------|-----------------|------------------|------------------|----------------------|
| INTCON  | GIE/GIEH  | PEIE/GIEL | TMR0IE   | INT0IE          | RBIE            | TMR0IF          | INT0IF           | RBIF             | 57                   |
| RCON    | IPEN  | SBOREN    | —        | $\overline{RI}$ | $\overline{TO}$ | $\overline{PD}$ | $\overline{POR}$ | $\overline{BOR}$ | 56                   |
| PIR1    | PSPIF   | ADIF      | RC1IF    | TX1IF           | SSP1IF          | CCP1IF          | TMR2IF           | TMR1IF           | 60                   |
| PIE1    | PSPIE   | ADIE      | RC1IE    | TX1IE           | SSP1IE          | CCP1IE          | TMR2IE           | TMR1IE           | 60                   |
| IPR1    | PSPIP   | ADIP      | RC1IP    | TX1IP           | SSP1IP          | CCP1IP          | TMR2IP           | TMR1IP           | 60                   |
| PIR3    | SSP2IF  | BCL2IF    | RC2IF    | TX2IF           | TMR4IF          | CCP5IF          | CCP4IF           | CCP3IF           | 60                   |
| PIE3    | SSP2IE  | BCL2IE    | RC2IE    | TX2IE           | TMR4IE          | CCP5IE          | CCP4IE           | CCP3IE           | 60                   |
| IPR3    | SSP2IP  | BCL2IP    | RC2IP    | TX2IP           | TMR4IP          | CCP5IP          | CCP4IP           | CCP3IP           | 60                   |
| TMR2    | Timer2 Register                                   |           |          |                 |                 |                 |                  |                  | 58                   |
| PR2     | Timer2 Period Register                            |           |          |                 |                 |                 |                  |                  | 58                   |
| T2CON   | —   | T2OUTPS3  | T2OUTPS2 | T2OUTPS1        | T2OUTPS0        | TMR2ON          | T2CKPS1          | T2CKPS0          | 58                   |
| TMR4    | Timer4 Register                                   |           |          |                 |                 |                 |                  |                  | 61                   |
| PR4     | Timer4 Period Register                            |           |          |                 |                 |                 |                  |                  | 61                   |
| T4CON   | —   | T4OUTPS3  | T4OUTPS2 | T4OUTPS1        | T4OUTPS0        | TMR4ON          | T4CKPS1          | T4CKPS0          | 61                   |
| CCPR1L  | Enhanced Capture/Compare/PWM Register 1 Low Byte  |           |          |                 |                 |                 |                  |                  | 59                   |
| CCPR1H  | Enhanced Capture/Compare/PWM Register 1 High Byte |           |          |                 |                 |                 |                  |                  | 59                   |
| CCPR2L  | Enhanced Capture/Compare/PWM Register 2 Low Byte  |           |          |                 |                 |                 |                  |                  | 59                   |
| CCPR2H  | Enhanced Capture/Compare/PWM Register 2 High Byte |           |          |                 |                 |                 |                  |                  | 59                   |
| CCP4CON | —   | —         | DC4B1    | DC4B0           | CCP4M3          | CCP4M2          | CCP4M1           | CCP4M0           | 61                   |
| CCP5CON | —   | —         | DC5B1    | DC5B0           | CCP5M3          | CCP5M2          | CCP5M1           | CCP5M0           | 61                   |

**Legend:** — = unimplemented, read as '0'. Shaded cells are not used by PWM, Timer2 or Timer4.

# PIC18F8722 FAMILY

## 18.0 ENHANCED CAPTURE/ COMPARE/PWM (ECCP) MODULE

In the PIC18F8722 family of devices, ECCP1, ECCP2 and ECCP3 are implemented as a standard CCP module with Enhanced PWM capabilities. These include the provision for 2 or 4 output channels, user selectable polarity, dead-band control and automatic shutdown and restart. The enhanced features are discussed in detail in **Section 18.4 “Enhanced PWM Mode”**. Capture, Compare and single-output PWM functions of the ECCP module are the same as described for the standard CCP module.

The control register for the Enhanced CCP modules is shown in Register 18-1. It differs from the CCPxCON registers discussed in **Section 17.0 “Capture/Compare/PWM (CCP) Modules”** in that the two Most Significant bits are implemented to control PWM functionality. In addition to the expanded range of modes available through the Enhanced CCPxCON register, the ECCP modules each have two additional features associated with Enhanced PWM operation and auto-shutdown features. They are:

- ECCPxDEL (Dead-Band Delay)
- ECCPxAS (Auto-Shutdown Configuration)

**REGISTER 18-1: CCPxCON: ENHANCED CCPx CONTROL REGISTER (ECCP1, ECCP2, ECCP3)**

| R/W-0 | R/W-0 | R/W-0 | R/W-0 | R/W-0  | R/W-0  | R/W-0  | R/W-0  |
|-------|-------|-------|-------|--------|--------|--------|--------|
| PxM1  | PxM0  | DCxB1 | DCxB0 | CCPxM3 | CCPxM2 | CCPxM1 | CCPxM0 |
| bit 7 |       |       |       |        |        |        | bit 0  |

### Legend:

|                   |                  |                                    |
|-------------------|------------------|------------------------------------|
| R = Readable bit  | W = Writable bit | U = Unimplemented bit, read as '0' |
| -n = Value at POR | '1' = Bit is set | '0' = Bit is cleared               |
|                   |                  | x = Bit is unknown                 |

- bit 7-6      **PxM1:PxM0:** Enhanced PWM Output Configuration bits  
If CCPxM<3:2> = 00, 01, 10:  
 xx = PxA assigned as Capture/Compare input/output; PxB, PxC, PxD assigned as port pins  
If CCPxM<3:2> = 11:  
 00 = Single output: PxA modulated; PxB, PxC, PxD assigned as port pins  
 01 = Full-bridge output forward: P1D modulated; P1A active; P1B, P1C inactive  
 10 = Half-bridge output: P1A, P1B modulated with dead-band control; P1C, P1D assigned as port pins  
 11 = Full-bridge output reverse: P1B modulated; P1C active; P1A, P1D inactive
- bit 5-4      **DCxB<1:0>:** PWM Duty Cycle bit 1 and bit 0  
Capture mode:  
 Unused.  
Compare mode:  
 Unused.  
PWM mode:  
 These bits are the two LSBs of the 10-bit PWM duty cycle. The eight MSBs of the duty cycle are found in CCPRxL.
- bit 3-0      **CCPxM3:CCPxM0:** Enhanced CCP Mode Select bits  
 0000 = Capture/Compare/PWM off (resets ECCPx module)  
 0001 = Reserved  
 0010 = Compare mode: toggle output on match  
 0011 = Capture mode  
 0100 = Capture mode: every falling edge  
 0101 = Capture mode: every rising edge  
 0110 = Capture mode: every 4th rising edge  
 0111 = Capture mode: every 16th rising edge  
 1000 = Compare mode: initialize ECCPx pin low; set output on compare match (set CCPxIF)  
 1001 = Compare mode: initialize ECCPx pin high; clear output on compare match (set CCPxIF)  
 1010 = Compare mode: generate software interrupt only; ECCPx pin reverts to I/O state  
 1011 = Compare mode: trigger special event (ECCP resets TMR1 or TMR3, sets CCPxIF bit; ECCP2 triggered starts A/D conversion if A/D module is enabled)  
 1100 = PWM mode: PxA, PxC active-high; PxB, PxD active-high  
 1101 = PWM mode: PxA, PxC active-high; PxB, PxD active-low  
 1110 = PWM mode: PxA, PxC active-low; PxB, PxD active-high  
 1111 = PWM mode: PxA, PxC active-low; PxB, PxD active-low

# PIC18F8722 FAMILY

---

## 18.1 ECCP Outputs and Configuration

Each of the Enhanced CCP modules may have up to four PWM outputs, depending on the selected operating mode. These outputs, designated PxA through PxD, are multiplexed with various I/O pins. Some ECCPx pin assignments are constant, while others change based on device configuration. For those pins that do change, the controlling bits are:

- CCP2MX Configuration bit (CONFIG3H<0>)
- ECCPMX Configuration bit (CONFIG3H<1>)
- Program Memory mode (set by Configuration bits, CONFIG3L<1:0>)

The pin assignments for the Enhanced CCP modules are summarized in Table 18-1, Table 18-2 and Table 18-3. To configure the I/O pins as PWM outputs, the proper PWM mode must be selected by setting the PxA and CCPxA bits (CCPxA<7:6> and <3:0>, respectively). The appropriate TRIS direction bits for the corresponding port pins must also be set as outputs.

### 18.1.1 USE OF CCP4 AND CCP5 WITH ECCP1 AND ECCP3

Only the ECCP2 module has four dedicated output pins available for use. Assuming that the I/O ports or other multiplexed functions on those pins are not needed, they may be used whenever needed without interfering with any other CCP module.

ECCP1 and ECCP3, on the other hand, only have three dedicated output pins: ECCPxA/P3A, PxB and PxC. Whenever these modules are configured for Quad PWM mode, the pin used for CCP4 or CCP5 takes priority over the D output pins for ECCP3 and ECCP1, respectively.

### 18.1.2 ECCP MODULE OUTPUTS, PROGRAM MEMORY MODES AND EMB ADDRESS BUS WIDTH

For PIC18F8527/8622/8627/8722 devices, the program memory mode of the device (**Section 7.2 “Address and Data Width”** and **Section 7.4 “Program Memory Modes and the External Memory Bus”**) impacts both pin multiplexing and the operation of the module.

The ECCP2 input/output (ECCP2/P2A) can be multiplexed to one of three pins. By default, this is RC1 for all devices; in this case, the default is in effect when CCP2MX is set and the device is operating in Microcontroller mode. With PIC18F8527/8622/8627/8722 devices, three other options exist. When CCP2MX is not set (= 0) and the device is in Microcontroller mode, ECCP2/P2A is multiplexed to RE7; in all other program memory modes, it is multiplexed to RB3.

Another option is for ECCPMX to be set while the device is operating in one of the three other program memory modes. In this case, ECCP1 and ECCP3 operate as compatible (i.e., single output) CCP modules. The pins used by their other outputs (PxB through PxD) are available for other multiplexed functions. ECCP2 continues to operate as an Enhanced CCP module regardless of the program memory mode.

The final option is that the ABW<1:0> Configuration bits can be used to select 8, 12, 16 or 20-bit EMB addressing. Pins not assigned to EMB address pins are available for peripheral or port functions.

# PIC18F8722 FAMILY

**TABLE 18-1: PIN CONFIGURATIONS FOR ECCP1**

| ECCP Mode   | CCP1CON Configuration | RC2   | RE6                     | RE5                     | RG4                     | RH7      | RH6      |
|---|-----------------------|-------|-------------------------|-------------------------|-------------------------|----------|----------|
| <b>PIC18F6527/6622/6627/6722 Devices:</b>   |                       |       |                         |                         |                         |          |          |
| Compatible CCP  | 00xx 11xx             | ECCP1 | RE6                     | RE5                     | RG4/CCP5                | N/A      | N/A      |
| Dual PWM  | 10xx 11xx             | P1A   | P1B                     | RE5                     | RG4/CCP5                | N/A      | N/A      |
| Quad PWM  | x1xx 11xx             | P1A   | P1B                     | P1C                     | CCP5/P1D <sup>(1)</sup> | N/A      | N/A      |
| <b>PIC18F8527/8622/8627/8722 Devices, ECCPMX = 1, Microcontroller mode:</b>           |                       |       |                         |                         |                         |          |          |
| Compatible CCP  | 00xx 11xx             | ECCP1 | RE6                     | RE5                     | RG4/CCP5                | RH7/AN15 | RH6/AN14 |
| Dual PWM  | 10xx 11xx             | P1A   | P1B                     | RE5                     | RG4/CCP5                | RH7/AN15 | RH6/AN14 |
| Quad PWM  | x1xx 11xx             | P1A   | P1B                     | P1C                     | CCP5/P1D <sup>(1)</sup> | RH7/AN15 | RH6/AN14 |
| <b>PIC18F8527/8622/8627/8722 Devices, ECCPMX = 0, Microcontroller mode:</b>           |                       |       |                         |                         |                         |          |          |
| Compatible CCP  | 00xx 11xx             | ECCP1 | RE6                     | RE5                     | RG4/CCP5                | RH7/AN15 | RH6/AN14 |
| Dual PWM  | 10xx 11xx             | P1A   | RE6                     | RE5                     | RG4/CCP5                | P1B      | RH6/AN14 |
| Quad PWM  | x1xx 11xx             | P1A   | RE6                     | RE5                     | CCP5/P1D <sup>(1)</sup> | P1B      | P1C      |
| <b>PIC18F8527/8622/8627/8722 Devices, ECCPMX = 1, all other Program Memory modes:</b> |                       |       |                         |                         |                         |          |          |
| Compatible CCP  | 00xx 11xx             | ECCP1 | AD14 <sup>(2)</sup>     | AD13 <sup>(2)</sup>     | RG4/CCP5                | RH7/AN15 | RH6/AN14 |
| Dual PWM  | 10xx 11xx             | P1A   | P1B/AD14 <sup>(2)</sup> | AD13 <sup>(2)</sup>     | RG4/CCP5                | RH7/AN15 | RH6/AN14 |
| Quad PWM  | x1xx 11xx             | P1A   | P1B/AD14 <sup>(2)</sup> | P1C/AD13 <sup>(2)</sup> | CCP5/P1D <sup>(1)</sup> | RH7/AN15 | RH6/AN14 |
| <b>PIC18F8527/8622/8627/8722 Devices, ECCPMX = 0, all other Program Memory modes:</b> |                       |       |                         |                         |                         |          |          |
| Compatible CCP  | 00xx 11xx             | ECCP1 | AD14 <sup>(2)</sup>     | AD13 <sup>(2)</sup>     | RG4/CCP5                | RH7/AN15 | RH6/AN14 |
| Dual PWM  | 10xx 11xx             | P1A   | AD14 <sup>(2)</sup>     | AD13 <sup>(2)</sup>     | RG4/CCP5                | P1B      | RH6/AN14 |
| Quad PWM  | x1xx 11xx             | P1A   | AD14 <sup>(2)</sup>     | AD13 <sup>(2)</sup>     | CCP5/P1D <sup>(1)</sup> | P1B      | P1C      |

**Legend:** x = Don't care, N/A = Not available. Shaded cells indicate pin assignments not used by ECCP1 in a given mode.

**Note 1:** With ECCP1 in Quad PWM mode, the CCP5 module's output overrides P1D.

**2:** The EMB address bus width will determine whether the pin will perform an EMB or port/peripheral function.

# PIC18F8722 FAMILY

**TABLE 18-2: PIN CONFIGURATIONS FOR ECCP2**

| ECCP Mode   | CCP2CON Configuration | RB3      | RC1       | RE7                 | RE2                     | RE1                    | RE0                    |
|---|-----------------------|----------|-----------|---------------------|-------------------------|------------------------|------------------------|
| <b>PIC18F6527/6622/6627/6722 Devices, CCP2MX = 1:</b>                                 |                       |          |           |                     |                         |                        |                        |
| Compatible CCP  | 00xx 11xx             | RB3/INT3 | ECCP2     | RE7                 | RE2                     | RE1                    | RE0                    |
| Dual PWM  | 10xx 11xx             | RB3/INT3 | P2A       | RE7                 | P2B                     | RE1                    | RE0                    |
| Quad PWM  | x1xx 11xx             | RB3/INT3 | P2A       | RE7                 | P2B                     | P2C                    | P2D                    |
| <b>PIC18F6527/6622/6627/6722 Devices CCP2MX = 0:</b>                                  |                       |          |           |                     |                         |                        |                        |
| Compatible CCP  | 00xx 11xx             | RB3/INT3 | RC1/T1OSI | ECCP2               | RE2                     | RE1                    | RE0                    |
| Dual PWM  | 10xx 11xx             | RB3/INT3 | RC1/T1OSI | P2A                 | P2B                     | RE1                    | RE0                    |
| Quad PWM  | x1xx 11xx             | RB3/INT3 | RC1/T1OSI | P2A                 | P2B                     | P2C                    | P2D                    |
| <b>PIC18F8527/8622/8627/8722 Devices, CCP2MX = 1, Microcontroller mode:</b>           |                       |          |           |                     |                         |                        |                        |
| Compatible CCP  | 00xx 11xx             | RB3/INT3 | ECCP2     | RE7                 | RE2                     | RE1                    | RE0                    |
| Dual PWM  | 10xx 11xx             | RB3/INT3 | P2A       | RE7                 | P2B                     | RE1                    | RE0                    |
| Quad PWM  | x1xx 11xx             | RB3/INT3 | P2A       | RE7                 | P2B                     | P2C                    | P2D                    |
| <b>PIC18F8527/8622/8627/8722 Devices, CCP2MX = 0, Microcontroller mode:</b>           |                       |          |           |                     |                         |                        |                        |
| Compatible CCP  | 00xx 11xx             | RB3/INT3 | RC1/T1OSI | ECCP2               | RE2                     | RE1                    | RE0                    |
| Dual PWM  | 10xx 11xx             | RB3/INT3 | RC1/T1OSI | P2A                 | P2B                     | RE1                    | RE0                    |
| Quad PWM  | x1xx 11xx             | RB3/INT3 | RC1/T1OSI | P2A                 | P2B                     | P2C                    | P2D                    |
| <b>PIC18F8527/8622/8627/8722 Devices, CCP2MX = 1, all other Program Memory modes:</b> |                       |          |           |                     |                         |                        |                        |
| Compatible CCP  | 00xx 11xx             | RB3/INT3 | ECCP2     | AD15 <sup>(1)</sup> | AD10 <sup>(1)</sup>     | AD9 <sup>(1)</sup>     | AD8 <sup>(1)</sup>     |
| Dual PWM  | 10xx 11xx             | RB3/INT3 | P2A       | AD15 <sup>(1)</sup> | AD10/P2B <sup>(1)</sup> | AD9 <sup>(1)</sup>     | AD8 <sup>(1)</sup>     |
| Quad PWM  | x1xx 11xx             | RB3/INT3 | P2A       | AD15 <sup>(1)</sup> | AD10/P2B <sup>(1)</sup> | AD9/P2C <sup>(1)</sup> | P2D/AD8 <sup>(1)</sup> |
| <b>PIC18F8527/8622/8627/8722 Devices, CCP2MX = 0, all other Program Memory modes:</b> |                       |          |           |                     |                         |                        |                        |
| Compatible CCP  | 00xx 11xx             | ECCP2    | RC1/T1OSI | AD15 <sup>(1)</sup> | AD10 <sup>(1)</sup>     | AD9 <sup>(1)</sup>     | AD8 <sup>(1)</sup>     |
| Dual PWM  | 10xx 11xx             | P2A      | RC1/T1OSI | AD15 <sup>(1)</sup> | AD10/P2B <sup>(1)</sup> | AD9 <sup>(1)</sup>     | AD8 <sup>(1)</sup>     |
| Quad PWM  | x1xx 11xx             | P2A      | RC1/T1OSI | AD15 <sup>(1)</sup> | AD10/P2B <sup>(1)</sup> | AD9/P2C <sup>(1)</sup> | P2D/AD8 <sup>(1)</sup> |

**Legend:** x = Don't care. Shaded cells indicate pin assignments not used by ECCP2 in a given mode.

**Note 1:** The EMB address bus width will determine whether the pin will perform an EMB or port/peripheral function.



# PIC18F8722 FAMILY

**TABLE 18-3: PIN CONFIGURATIONS FOR ECCP3**

| ECCP Mode   | CCP3CON Configuration | RG0   | RE4                     | RE3                     | RG3                     | RH5      | RH4      |
|---|-----------------------|-------|-------------------------|-------------------------|-------------------------|----------|----------|
| <b>PIC18F6527/6622/6627/6722 Devices:</b>   |                       |       |                         |                         |                         |          |          |
| Compatible CCP  | 00xx 11xx             | ECCP3 | RE4                     | RE3                     | RG3/CCP4                | N/A      | N/A      |
| Dual PWM  | 10xx 11xx             | P3A   | P3B                     | RE3                     | RG3/CCP4                | N/A      | N/A      |
| Quad PWM  | x1xx 11xx             | P3A   | P3B                     | P3C                     | CCP4/P3D <sup>(1)</sup> | N/A      | N/A      |
| <b>PIC18F8527/8622/8627/8722 Devices, ECCPMX = 1, Microcontroller mode:</b>           |                       |       |                         |                         |                         |          |          |
| Compatible CCP  | 00xx 11xx             | ECCP3 | RE4                     | RE3                     | RG3/CCP4                | RH5/AN13 | RH4/AN12 |
| Dual PWM  | 10xx 11xx             | P3A   | P3B                     | RE3                     | RG3/CCP4                | RH5/AN13 | RH4/AN12 |
| Quad PWM  | x1xx 11xx             | P3A   | P3B                     | P3C                     | CCP4/P3D <sup>(1)</sup> | RH5/AN13 | RH4/AN12 |
| <b>PIC18F8527/8622/8627/8722 Devices, ECCPMX = 0, Microcontroller mode:</b>           |                       |       |                         |                         |                         |          |          |
| Compatible CCP  | 00xx 11xx             | ECCP3 | RE4                     | RE3                     | RG3/CCP4                | RH5/AN13 | RH4/AN12 |
| Dual PWM  | 10xx 11xx             | P3A   | RE4                     | RE3                     | RG3/CCP4                | P3B      | RH4/AN12 |
| Quad PWM  | x1xx 11xx             | P3A   | RE4                     | RE3                     | CCP4/P3D <sup>(1)</sup> | P3B      | P3C      |
| <b>PIC18F8527/8622/8627/8722 Devices, ECCPMX = 1, all other Program Memory modes:</b> |                       |       |                         |                         |                         |          |          |
| Compatible CCP  | 00xx 11xx             | ECCP3 | AD12 <sup>(2)</sup>     | AD10 <sup>(2)</sup>     | RG3/CCP4                | RH5/AN13 | RH4/AN12 |
| Dual PWM  | 10xx 11xx             | P3A   | AD12/P3B <sup>(2)</sup> | AD10 <sup>(2)</sup>     | RG3/CCP4                | RH5/AN13 | RH4/AN12 |
| Quad PWM  | x1xx 11xx             | P3A   | AD12/P3B <sup>(2)</sup> | P3C/AD10 <sup>(1)</sup> | CCP4/P3D <sup>(1)</sup> | RH5/AN13 | RH4/AN12 |
| <b>PIC18F8527/8622/8627/8722 Devices, ECCPMX = 0, all other Program Memory modes:</b> |                       |       |                         |                         |                         |          |          |
| Compatible CCP  | 00xx 11xx             | ECCP3 | AD12 <sup>(2)</sup>     | AD10 <sup>(2)</sup>     | RG3/CCP4                | RH5/AN13 | RH4/AN12 |
| Dual PWM  | 10xx 11xx             | P3A   | AD12 <sup>(2)</sup>     | AD10 <sup>(2)</sup>     | RG3/CCP4                | P3B      | RH4/AN12 |
| Quad PWM  | x1xx 11xx             | P3A   | AD12 <sup>(2)</sup>     | AD10 <sup>(2)</sup>     | CCP4/P3D <sup>(1)</sup> | P3B      | P3C      |

**Legend:** x = Don't care, N/A = Not available. Shaded cells indicate pin assignments not used by ECCP3 in a given mode.

**Note 1:** With ECCP3 in Quad PWM mode, the CCP4 module's output overrides P3D.

**2:** The EMB address bus width will determine whether the pin will perform an EMB or port/peripheral function.

# PIC18F8722 FAMILY

## 18.1.3 ECCP MODULES AND TIMER RESOURCES

Like the standard CCP modules, the ECCP modules can utilize Timers 1, 2, 3 or 4, depending on the mode selected. Timer1 and Timer3 are available for modules in Capture or Compare modes, while Timer2 and Timer4 are available for modules in PWM mode. Additional details on timer resources are provided in **Section 17.1.1 “CCP Modules and Timer Resources”**.

## 18.2 Capture and Compare Modes

With the exception of the Special Event Trigger discussed below, the Capture and Compare modes of the ECCP modules are identical in operation to that of CCP4. These are discussed in detail in **Section 17.2 “Capture Mode”** and **Section 17.3 “Compare Mode”**.

### 18.2.1 SPECIAL EVENT TRIGGER

The Special Event Trigger output of ECCPx resets the TMR1 or TMR3 register pair, depending on which timer resource is currently selected. This allows the CCPRx registers to effectively be 16-bit programmable period registers for Timer1 or Timer3.

## 18.3 Standard PWM Mode

When configured in Single Output mode, the ECCP module functions identically to the standard CCP module in PWM mode as described in **Section 17.4 “PWM Mode”**. This is also sometimes referred to as “Compatible CCP” mode as in Tables 18-1 through 18-3.

**Note:** When setting up single output PWM operations, users are free to use either of the processes described in **Section 17.4.3 “Setup for PWM Operation”** or **Section 18.4.9 “Setup for PWM Operation”**. The latter is more generic, but will work for either single or multi-output PWM.

## 18.4 Enhanced PWM Mode

The Enhanced PWM mode provides additional PWM output options for a broader range of control applications. The module is a backward compatible version of the standard CCP module and offers up to four outputs, designated PxA through PxD. Users are also able to select the polarity of the signal (either active-high or active-low). The module's output mode and polarity are configured by setting the Pxm<1:0> and CCPxm<3:0> bits of the CCPxCON register (CCPxCON<7:6> and CCPxCON<3:0>, respectively).

For the sake of clarity, Enhanced PWM mode operation is described generically throughout this section with respect to ECCP1 and TMR2 modules. Control register names are presented in terms of ECCP1. All three Enhanced modules, as well as the two timer resources, can be used interchangeably and function identically. TMR2 or TMR4 can be selected for PWM operation by selecting the proper bits in T3CON.

Figure 18-1 shows a simplified block diagram of PWM operation. All control registers are double-buffered and are loaded at the beginning of a new PWM cycle (the period boundary when Timer2 resets) in order to prevent glitches on any of the outputs. The exception is the PWM Dead-Band Delay register, ECCP1DEL, which is loaded at either the duty cycle boundary or the boundary period (whichever comes first). Because of the buffering, the module waits until the assigned timer resets instead of starting immediately. This means that Enhanced PWM waveforms do not exactly match the standard PWM waveforms, but are instead offset by one full instruction cycle (4 TOSC).

As before, the user must manually configure the appropriate TRIS bits for output.

### 18.4.1 PWM PERIOD

The PWM period is specified by writing to the PR2 register. The PWM period can be calculated using the following equation:

#### EQUATION 18-1:

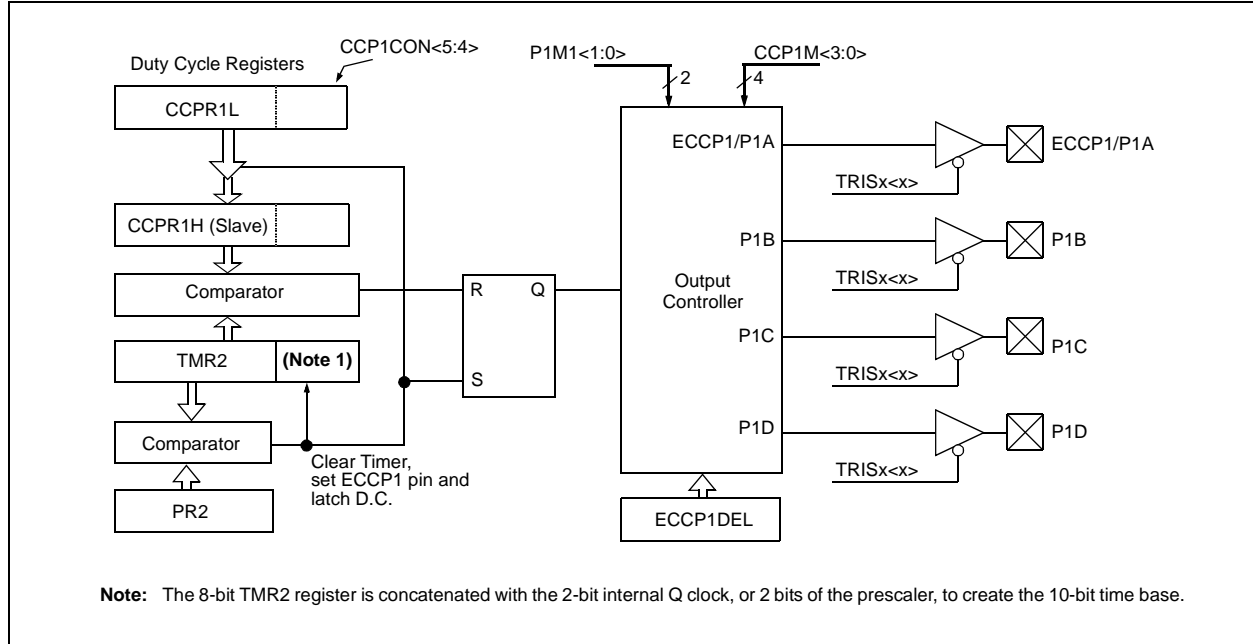
$$\text{PWM Period} = [(\text{PR2}) + 1] \cdot 4 \cdot \text{TOSC} \cdot (\text{TMR2 Prescale Value})$$

PWM frequency is defined as 1/[PWM period]. When TMR2 is equal to PR2, the following three events occur on the next increment cycle:

- TMR2 is cleared
- The ECCP1 pin is set (if PWM duty cycle = 0%, the ECCP1 pin will not be set)
- The PWM duty cycle is copied from CCPR1L into CCPR1H

**Note:** The Timer2 postscaler (see **Section 14.0 “Timer2 Module”**) is not used in the determination of the PWM frequency. The postscaler could be used to have a servo update rate at a different frequency than the PWM output.

**FIGURE 18-1: SIMPLIFIED BLOCK DIAGRAM OF THE ENHANCED PWM MODULE**



## 18.4.2 PWM DUTY CYCLE

The PWM duty cycle is specified by writing to the CCPR1L register and to the CCP1CON<5:4> bits. Up to 10-bit resolution is available. The CCPR1L contains the eight MSbs and the CCP1CON<5:4> contains the two LSbs. This 10-bit value is represented by CCPR1L:CCP1CON<5:4>. The PWM duty cycle is calculated by the equation:

### EQUATION 18-2:

$$\text{PWM Duty Cycle} = \frac{\text{CCPR1L:CCP1CON<5:4>} \cdot \text{Tosc}}{\text{TMR2 Prescale Value}}$$

CCPR1L and CCP1CON<5:4> can be written to at any time but the duty cycle value is not copied into CCPR1H until a match between PR2 and TMR2 occurs (i.e., the period is complete). In PWM mode, CCPR1H is a read-only register.

The CCPR1H register and a 2-bit internal latch are used to double-buffer the PWM duty cycle. This double-buffering is essential for glitchless PWM operation. When the CCPR1H and 2-bit latch match TMR2, concatenated with an internal 2-bit Q clock or two bits of the TMR2 prescaler, the ECCP1 pin is cleared. The maximum PWM resolution (bits) for a given PWM frequency is given by the equation:

### EQUATION 18-3:

$$\text{PWM Resolution (max)} = \frac{\log\left(\frac{F_{\text{OSC}}}{F_{\text{PWM}}}\right)}{\log(2)} \text{ bits}$$

**Note:** If the PWM duty cycle value is longer than the PWM period, the ECCP1 pin will not be cleared.

**TABLE 18-4: EXAMPLE PWM FREQUENCIES AND RESOLUTIONS AT 40 MHz**

| PWM Frequency              | 2.44 kHz | 9.77 kHz | 39.06 kHz | 156.25 kHz | 312.50 kHz | 416.67 kHz |
|----------------------------|----------|----------|-----------|------------|------------|------------|
| Timer Prescaler (1, 4, 16) | 16       | 4        | 1         | 1          | 1          | 1          |
| PR2 Value                  | FFh      | FFh      | FFh       | 3Fh        | 1Fh        | 17h        |
| Maximum Resolution (bits)  | 10       | 10       | 10        | 8          | 7          | 6.58       |

# PIC18F8722 FAMILY

## 18.4.3 PWM OUTPUT CONFIGURATIONS

The P1M1:P1M0 bits in the CCP1CON register allow one of four configurations:

- Single Output
- Half-Bridge Output
- Full-Bridge Output, Forward mode
- Full-Bridge Output, Reverse mode

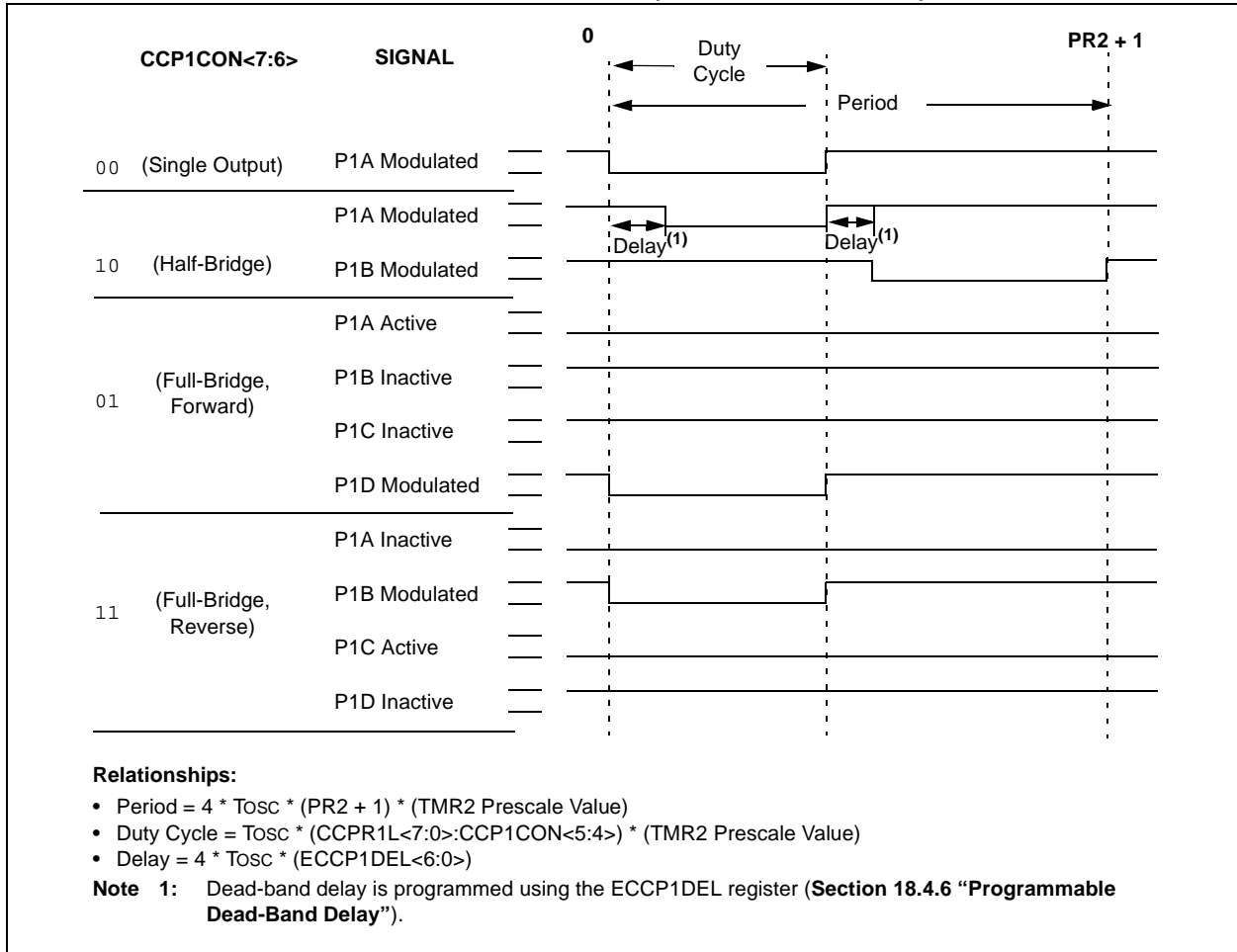
The Single Output mode is the standard PWM mode discussed in **Section 18.4 “Enhanced PWM Mode”**. The Half-Bridge and Full-Bridge Output modes are covered in detail in the sections that follow.

The general relationship of the outputs in all configurations is summarized in Figure 18-2.

**FIGURE 18-2: PWM OUTPUT RELATIONSHIPS (ACTIVE-HIGH STATE)**



**FIGURE 18-3: PWM OUTPUT RELATIONSHIPS (ACTIVE-LOW STATE)**



# PIC18F8722 FAMILY

## 18.4.4 HALF-BRIDGE MODE

In the Half-Bridge Output mode, two pins are used as outputs to drive push-pull loads. The PWM output signal is output on the P1A pin, while the complementary PWM output signal is output on the P1B pin (Figure 18-4). This mode can be used for half-bridge applications, as shown in Figure 18-5, or for full-bridge applications, where four power switches are being modulated with two PWM signals.

In Half-Bridge Output mode, the programmable dead-band delay can be used to prevent shoot-through current in half-bridge power devices. The value of bits, P1DC<6:0> sets the number of instruction cycles before the output is driven active. If the value is greater than the duty cycle, the corresponding output remains inactive during the entire cycle. See **Section 18.4.6 “Programmable Dead-Band Delay”** for more details on dead-band delay operations.

The P1A and P1B outputs are multiplexed with the PORTC<2> and PORTE<6> data latches. Alternatively, P1B can be assigned to PORTH<7> by programming the ECCPMX Configuration bit to '0'. See Table 18-1, Table 18-2 and Table 18-3 for more information. The associated TRIS bit must be cleared to configure P1A and P1B as outputs.

**FIGURE 18-4: HALF-BRIDGE PWM OUTPUT**



**FIGURE 18-5: EXAMPLES OF HALF-BRIDGE OUTPUT MODE APPLICATIONS**



## 18.4.5 FULL-BRIDGE MODE

In Full-Bridge Output mode, four pins are used as outputs; however, only two outputs are active at a time. In the Forward mode, pin P1A is continuously active and pin P1D is modulated. In the Reverse mode, pin P1C is continuously active and pin P1B is modulated. These are illustrated in Figure 18-6.

P1A, P1B, P1C and P1D outputs are multiplexed with the PORTC<2>, PORTE<6:5> and PORTG<4> data latches. Alternatively, P1B and P1C can be assigned to PORTH<7> and PORTH<6>, respectively, by programming the ECCPMX Configuration bit to '0'. See Table 18-1, Table 18-2 and Table 18-3 for more information. The associated bits must be cleared to make the P1A, P1B, P1C and P1D pins outputs.

**FIGURE 18-6: FULL-BRIDGE PWM OUTPUT**



# PIC18F8722 FAMILY

FIGURE 18-7: EXAMPLE OF FULL-BRIDGE APPLICATION



## 18.4.5.1 Direction Change in Full-Bridge Mode

In the Full-Bridge Output mode, the P1M1 bit in the CCP1CON register allows users to control the forward/reverse direction. When the application firmware changes this direction control bit, the module will assume the new direction on the next PWM cycle.

Just before the end of the current PWM period, the modulated outputs (P1B and P1D) are placed in their inactive state, while the unmodulated outputs (P1A and P1C) are switched to drive in the opposite direction. This occurs in a time interval of  $(4 T_{osc} * (\text{Timer2 Prescale Value}))$  before the next PWM period begins. The Timer2 prescaler will be either 1, 4 or 16, depending on the value of the T2CKPSx bit (T2CON<1:0>). During the interval from the switch of the unmodulated outputs to the beginning of the next period, the modulated outputs (P1B and P1D) remain inactive. This relationship is shown in Figure 18-8.

Note that in the Full-Bridge Output mode, the ECCP1 module does not provide any dead-band delay. In general, since only one output is modulated at all times, dead-band delay is not required. However, there is a situation where a dead-band delay might be required. This situation occurs when both of the following conditions are true:

1. The direction of the PWM output changes when the duty cycle of the output is at or near 100%.
2. The turn-off time of the power switch, including the power device and driver circuit, is greater than the turn-on time.

Figure 18-9 shows an example where the PWM direction changes from forward to reverse at a near 100% duty cycle. At time,  $t_1$ , the outputs P1A and P1D become inactive, while output P1C becomes active. In this example, since the turn-off time of the power devices is longer than the turn-on time, a shoot-through current may flow through power devices QC and QD (see Figure 18-7) for the duration of 't'. The same phenomenon will occur to power devices QA and QB for PWM direction change from reverse to forward.

If changing PWM direction at high duty cycle is required for an application, one of the following requirements must be met:

1. Reduce PWM for a PWM period before changing directions.
2. Use switch drivers that can drive the switches off faster than they can drive them on.

Other options to prevent shoot-through current may exist.



**FIGURE 18-8: PWM DIRECTION CHANGE**



**FIGURE 18-9: PWM DIRECTION CHANGE AT NEAR 100% DUTY CYCLE<sup>(1)</sup>**



# PIC18F8722 FAMILY

## 18.4.6 PROGRAMMABLE DEAD-BAND DELAY

In half-bridge applications where all power switches are modulated at the PWM frequency at all times, the power switches normally require more time to turn off than to turn on. If both the upper and lower power switches are switched at the same time (one turned on and the other turned off), both switches may be on for a short period of time until one switch completely turns off. During this brief interval, a very high current (*shoot-through current*) may flow through both power switches, shorting the bridge supply. To avoid this potentially destructive shoot-through current from flowing during switching, turning on either of the power switches is normally delayed to allow the other switch to completely turn off.

In the Half-Bridge Output mode, a digitally programmable dead-band delay is available to avoid shoot-through current from destroying the bridge power switches. The delay occurs at the signal transition from the non-active state to the active state. See Figure 18-4 for illustration. The lower seven bits of the ECCP1DEL register (Register 18-2) set the delay period in terms of microcontroller instruction cycles (Tcy or 4 Tosc).

## 18.4.7 ENHANCED PWM AUTO-SHUTDOWN

When the ECCP is programmed for any of the Enhanced PWM modes, the active output pins may be configured for auto-shutdown. Auto-shutdown immediately places the Enhanced PWM output pins into a defined shutdown state when a shutdown event occurs.

A shutdown event can be caused by either of the two comparator modules or the FLT0 pin (or any combination of these three sources). The comparators may be used to monitor a voltage input proportional to a current being monitored in the bridge circuit. If the voltage exceeds a threshold, the comparator switches state and triggers a shutdown. Alternatively, a digital signal on the FLT0 pin can also trigger a shutdown. The auto-shutdown feature can be disabled by not selecting any auto-shutdown sources. The auto-shutdown sources to be used are selected using the ECCP1AS<2:0> bits (ECCP1AS<6:4>).

When a shutdown occurs, the output pins are asynchronously placed in their shutdown states, specified by the PSS1AC<1:0> and PSS1BD<1:0> bits (ECCP1AS<3:0>). Each pin pair (P1A/P1C and P1B/P1D) may be set to drive high, drive low or be tri-stated (not driving). The ECCP1ASE bit (ECCP1AS<7>) is also set to hold the Enhanced PWM outputs in their shutdown states.

The ECCP1ASE bit is set by hardware when a shutdown event occurs. If automatic restarts are not enabled, the ECCP1ASE bit is cleared by firmware when the cause of the shutdown clears. If automatic restarts are enabled, the ECCP1ASE bit is automatically cleared when the cause of the auto-shutdown has cleared.

If the ECCP1ASE bit is set when a PWM period begins, the PWM outputs remain in their shutdown state for that entire PWM period. When the ECCP1ASE bit is cleared, the PWM outputs will return to normal operation at the beginning of the next PWM period.

**Note:** Writing to the ECCP1ASE bit is disabled while a shutdown condition is active.

### REGISTER 18-2: ECCPxDEL: ENHANCED PWM DEAD-BAND DELAY REGISTER

|        |       |       |       |       |       |       |       |
|--------|-------|-------|-------|-------|-------|-------|-------|
| R/W-0  | R/W-0 | R/W-0 | R/W-0 | R/W-0 | R/W-0 | R/W-0 | R/W-0 |
| PxRSEN | PxDC6 | PxDC5 | PxDC4 | PxDC3 | PxDC2 | PxDC1 | PxDC0 |
| bit 7  |       |       |       |       |       |       | bit 0 |

**Legend:**

|                   |                  |  |
|-------------------|------------------|--|
| R = Readable bit  | W = Writable bit | U = Unimplemented bit, read as '0'           |
| -n = Value at POR | '1' = Bit is set | '0' = Bit is cleared      x = Bit is unknown |

- bit 7      **PxRSEN:** PWM Restart Enable bit  
 1 = Upon auto-shutdown, the ECCPxASE bit clears automatically once the shutdown event goes away; the PWM restarts automatically  
 0 = Upon auto-shutdown, the ECCPxASE bit must be cleared in software to restart the PWM
- bit 6-0      **PxDC<6:0>:** PWM Delay Count bits  
 Delay time, in number of Fosc/4 (4 \* Tosc) cycles, between the scheduled and actual time for a PWM signal to transition to active.

# PIC18F8722 FAMILY

**REGISTER 18-3: ECCPxAS: ENHANCED CCP AUTO-SHUTDOWN CONFIGURATION REGISTER**

| R/W-0    | R/W-0    | R/W-0    | R/W-0    | R/W-0   | R/W-0   | R/W-0   | R/W-0   |
|----------|----------|----------|----------|---------|---------|---------|---------|
| ECCPxASE | ECCPxAS2 | ECCPxAS1 | ECCPxAS0 | PSSxAC1 | PSSxAC0 | PSSxBD1 | PSSxBD0 |
| bit 7    |          |          |          |         |         |         | bit 0   |

**Legend:**

|                   |                  |                                    |
|-------------------|------------------|------------------------------------|
| R = Readable bit  | W = Writable bit | U = Unimplemented bit, read as '0' |
| -n = Value at POR | '1' = Bit is set | '0' = Bit is cleared               |
|                   |                  | x = Bit is unknown                 |

- bit 7           **ECCPxASE:** ECCP Auto-Shutdown Event Status bit  
                   0 = ECCP outputs are operating  
                   1 = A shutdown event has occurred; ECCP outputs are in shutdown state
  
- bit 6-4       **ECCPxAS<2:0>:** ECCP Auto-Shutdown Source Select bits  
                   000 = Auto-shutdown is disabled  
                   001 = Comparator 1 output  
                   010 = Comparator 2 output  
                   011 = Either Comparator 1 or 2  
                   100 = FLT0  
                   101 = FLT0 or Comparator 1  
                   110 = FLT0 or Comparator 2  
                   111 = FLT0 or Comparator 1 or Comparator 2
  
- bit 3-2       **PSSxAC<1:0>:** Pins A and C Shutdown State Control bits  
                   00 = Drive pins A and C to '0'  
                   01 = Drive pins A and C to '1'  
                   1x = Pins A and C tri-state
  
- bit 1-0       **PSSxBD<1:0>:** Pins B and D Shutdown State Control bits  
                   00 = Drive pins B and D to '0'  
                   01 = Drive pins B and D to '1'  
                   1x = Pins B and D tri-state

# PIC18F8722 FAMILY

## 18.4.7.1 Auto-Shutdown and Automatic Restart

The Auto-Shutdown feature can be configured to allow automatic restarts of the module following a shutdown event. This is enabled by setting the P1RSEN bit of the ECCP1DEL register (ECCP1DEL<7>).

In Shutdown mode with P1RSEN = 1 (Figure 18-10), the ECCP1ASE bit will remain set for as long as the cause of the shutdown continues. When the shutdown condition clears, the ECCP1ASE bit is cleared. If P1RSEN = 0 (Figure 18-11), once a shutdown condition occurs, the ECCP1ASE bit will remain set until it is cleared by firmware. Once ECCP1ASE is cleared, the Enhanced PWM will resume at the beginning of the next PWM period.

**Note:** Writing to the ECCP1ASE bit is disabled while a shutdown condition is active.

Independent of the P1RSEN bit setting, if the auto-shutdown source is one of the comparators, the shutdown condition is a level. The ECCP1ASE bit cannot be cleared as long as the cause of the shutdown persists.

The Auto-Shutdown mode can be forced by writing a '1' to the ECCP1ASE bit.

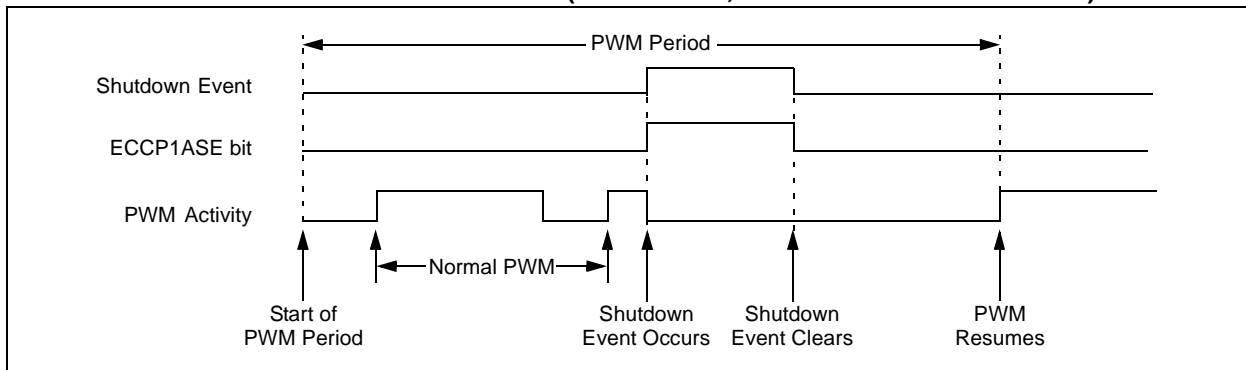
## 18.4.8 START-UP CONSIDERATIONS

When the ECCP module is used in the PWM mode, the application hardware must use the proper external pull-up and/or pull-down resistors on the PWM output pins. When the microcontroller is released from Reset, all of the I/O pins are in the high-impedance state. The external circuits must keep the power switch devices in the OFF state until the microcontroller drives the I/O pins with the proper signal levels or activates the PWM output(s).

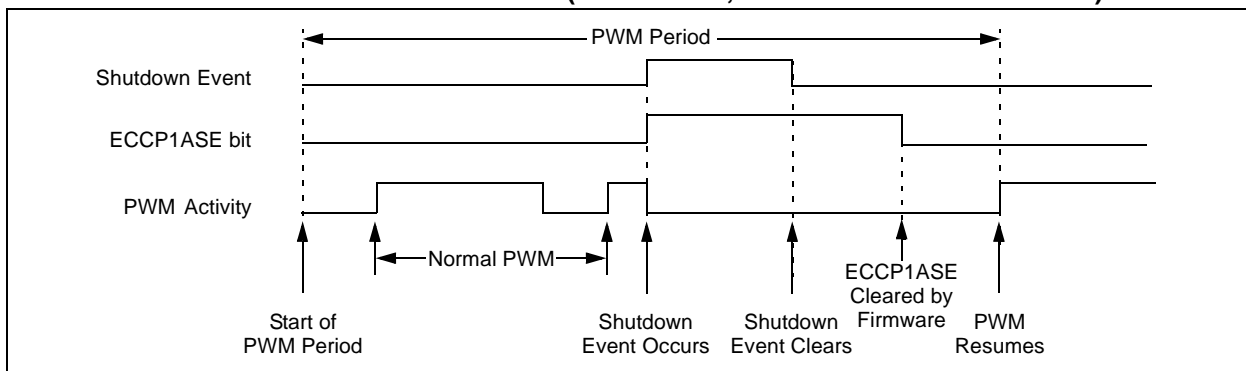
The CCP1M<1:0> bits (CCP1CON<1:0>) allow the user to choose whether the PWM output signals are active-high or active-low for each pair of PWM output pins (P1A/P1C and P1B/P1D). The PWM output polarities must be selected before the PWM pins are configured as outputs. Changing the polarity configuration while the PWM pins are configured as outputs is not recommended since it may result in damage to the application circuits.

The P1A, P1B, P1C and P1D output latches may not be in the proper states when the PWM module is initialized. Enabling the PWM pins for output at the same time as the ECCP1 module may cause damage to the application circuit. The ECCP1 module must be enabled in the proper output mode and complete a full PWM cycle before configuring the PWM pins as outputs. The completion of a full PWM cycle is indicated by the TMR2IF bit being set as the second PWM period begins.

**FIGURE 18-10: PWM AUTO-SHUTDOWN (P1RSEN = 1, AUTO-RESTART ENABLED)**



**FIGURE 18-11: PWM AUTO-SHUTDOWN (P1RSEN = 0, AUTO-RESTART DISABLED)**



## 18.4.9 SETUP FOR PWM OPERATION

The following steps should be taken when configuring the ECCP1 module for PWM operation using Timer2:

1. Configure the PWM pins, P1A and P1B (and P1C and P1D, if used), as inputs by setting the corresponding TRIS bits.
2. Set the PWM period by loading the PR2 register.
3. If auto-shutdown is required do the following:
  - Disable auto-shutdown (ECCP1AS = 0)
  - Configure source (FLT0, Comparator 1 or Comparator 2)
  - Wait for non-shutdown condition
4. Configure the ECCP1 module for the desired PWM mode and configuration by loading the CCP1CON register with the appropriate values:
  - Select one of the available output configurations and direction with the P1M<1:0> bits.
  - Select the polarities of the PWM output signals with the CCP1M<3:0> bits.
5. Set the PWM duty cycle by loading the CCPR1L register and CCP1CON<5:4> bits.
6. For Half-Bridge Output mode, set the dead-band delay by loading ECCP1DEL<6:0> with the appropriate value.
7. If auto-shutdown operation is required, load the ECCP1AS register:
  - Select the auto-shutdown sources using the ECCP1AS<2:0> bits.
  - Select the shutdown states of the PWM output pins using the PSS1AC<1:0> and PSS1BD<1:0> bits.
  - Set the ECCP1ASE bit (ECCP1AS<7>).
  - Configure the comparators using the CMCON register.
  - Configure the comparator inputs as analog inputs.
8. If auto-restart operation is required, set the P1RSEN bit (ECCP1DEL<7>).
9. Configure and start TMR2:
  - Clear the TMR2 interrupt flag bit by clearing the TMR2IF bit (PIR1<1>).
  - Set the TMR2 prescale value by loading the T2CKPS bits (T2CON<1:0>).
  - Enable Timer2 by setting the TMR2ON bit (T2CON<2>).
10. Enable PWM outputs after a new PWM cycle has started:
  - Wait until TMRx overflows (TMRxIF bit is set).
  - Enable the ECCP1/P1A, P1B, P1C and/or P1D pin outputs by clearing the respective TRIS bits.
  - Clear the ECCP1ASE bit (ECCP1AS<7>).

## 18.4.10 OPERATION IN POWER-MANAGED MODES

In Sleep mode, all clock sources are disabled. Timer2 or Timer4 will not increment and the state of the module will not change. If the ECCP1 pin is driving a value, it will continue to drive that value. When the device wakes up, it will continue from this state. If Two-Speed Start-ups are enabled, the initial start-up frequency from INTOSC and the postscaler may not be stable immediately.

In PRI\_IDLE mode, the primary clock will continue to clock the ECCP1 module without change. In all other power-managed modes, the selected power-managed mode clock will clock Timer2 or Timer4. Other power-managed mode clocks will most likely be different than the primary clock frequency.

### 18.4.10.1 Operation with Fail-Safe Clock Monitor

If the Fail-Safe Clock Monitor is enabled, a clock failure will force the device into the power-managed RC\_RUN mode and the OSCFIF bit (PIR2<7>) will be set. The ECCP1 will then be clocked from the internal oscillator clock source, which may have a different clock frequency than the primary clock.

See the previous section for additional details.

## 18.4.11 EFFECTS OF A RESET

Both Power-on Reset and subsequent Resets will force all ports to Input mode and the CCP registers to their Reset states.

This forces the Enhanced CCP module to reset to a state compatible with the standard CCP module.

# PIC18F8722 FAMILY

**TABLE 18-5: REGISTERS ASSOCIATED WITH ECCP MODULES AND TIMER1 TO TIMER4**

| Name                    | Bit 7   | Bit 6     | Bit 5    | Bit 4           | Bit 3           | Bit 2               | Bit 1            | Bit 0            | Reset Values on page |
|-------------------------|---|-----------|----------|-----------------|-----------------|---------------------|------------------|------------------|----------------------|
| INTCON                  | GIE/GIEH  | PEIE/GIEL | TMR0IE   | INT0IE          | RBIE            | TMR0IF              | INT0IF           | RBIF             | 57                   |
| RCON                    | IPEN  | SBOREN    | —        | $\overline{RI}$ | $\overline{TO}$ | $\overline{PD}$     | $\overline{POR}$ | $\overline{BOR}$ | 58                   |
| PIR1                    | PSPIF   | ADIF      | RC1IF    | TX1IF           | SSP1IF          | CCP1IF              | TMR2IF           | TMR1IF           | 60                   |
| PIE1                    | PSPIE   | ADIE      | RC1IE    | TX1IE           | SSP1IE          | CCP1IE              | TMR2IE           | TMR1IE           | 60                   |
| IPR1                    | PSPIP   | ADIP      | RC1IP    | TX1IP           | SSP1IP          | CCP1IP              | TMR2IP           | TMR1IP           | 60                   |
| PIR2                    | OSCFIF  | CMIF      | —        | EEIF            | BCL1IF          | HLVDIF              | TMR3IF           | CCP2IF           | 60                   |
| PIE2                    | OSCFIE  | CMIE      | —        | EEIE            | BCL1IE          | HLVDIE              | TMR3IE           | CCP2IE           | 60                   |
| IPR2                    | OSCFIP  | CMIP      | —        | EEIP            | BCL1IP          | HLVDIP              | TMR3IP           | CCP2IP           | 60                   |
| PIR3                    | SSP2IF  | BCL2IF    | RC2IF    | TX2IF           | TMR4IF          | CCP5IF              | CCP4IF           | CCP3IF           | 60                   |
| PIE3                    | SSP2IE  | BCL2IE    | RC2IE    | TX2IE           | TMR4IE          | CCP5IE              | CCP4IE           | CCP3IE           | 60                   |
| IPR3                    | SSP2IP  | BCL2IP    | RC2IP    | TX2IP           | TMR4IP          | CCP5IP              | CCP4IP           | CCP3IP           | 60                   |
| TRISB                   | TRISB7  | TRISB6    | TRISB5   | TRISB4          | TRISB3          | TRISB2              | TRISB1           | TRISB0           | 60                   |
| TRISC                   | TRISC7  | TRISC6    | TRISC5   | TRISC4          | TRISC3          | TRISC2              | TRISC1           | TRISC0           | 60                   |
| TRISE                   | TRISE7  | TRISE6    | TRISE5   | TRISE4          | TRISE3          | TRISE2              | TRISE1           | TRISE0           | 60                   |
| TRISG                   | —   | —         | —        | TRISG4          | TRISG3          | TRISG2              | TRISG1           | TRISG0           | 60                   |
| TRISH <sup>(2)</sup>    | TRISH7  | TRISH6    | TRISH5   | TRISH4          | TRISH3          | TRISH2              | TRISH1           | TRISH0           | 60                   |
| TMR1L                   | Timer1 Register Low Byte                          |           |          |                 |                 |                     |                  |                  | 58                   |
| TMR1H                   | Timer1 Register High Byte                         |           |          |                 |                 |                     |                  |                  | 58                   |
| T1CON                   | RD16  | T1RUN     | T1CKPS1  | T1CKPS0         | T1OSCEN         | $\overline{T1SYNC}$ | TMR1CS           | TMR1ON           | 58                   |
| TMR2                    | Timer2 Register                                   |           |          |                 |                 |                     |                  |                  | 58                   |
| T2CON                   | —   | T2OUTPS3  | T2OUTPS2 | T2OUTPS1        | T2OUTPS0        | TMR2ON              | T2CKPS1          | T2CKPS0          | 58                   |
| PR2                     | Timer2 Period Register                            |           |          |                 |                 |                     |                  |                  | 58                   |
| TMR3L                   | Timer3 Register Low Byte                          |           |          |                 |                 |                     |                  |                  | 59                   |
| TMR3H                   | Timer3 Register High Byte                         |           |          |                 |                 |                     |                  |                  | 59                   |
| T3CON                   | RD16  | T3CCP2    | T3CKPS1  | T3CKPS0         | T3CCP1          | $\overline{T3SYNC}$ | TMR3CS           | TMR3ON           | 59                   |
| TMR4                    | Timer4 Register                                   |           |          |                 |                 |                     |                  |                  | 61                   |
| T4CON                   | —   | T4OUTPS3  | T4OUTPS2 | T4OUTPS1        | T4OUTPS0        | TMR4ON              | T4CKPS1          | T4CKPS0          | 61                   |
| PR4                     | Timer4 Period Register                            |           |          |                 |                 |                     |                  |                  | 61                   |
| CCPRxL <sup>(1)</sup>   | Enhanced Capture/Compare/PWM Register x Low Byte  |           |          |                 |                 |                     |                  |                  | 59, 61               |
| CCPRxH <sup>(1)</sup>   | Enhanced Capture/Compare/PWM Register x High Byte |           |          |                 |                 |                     |                  |                  | 59, 61               |
| CCPxCON <sup>(1)</sup>  | PxM1  | PxM0      | DCxB1    | DCxB0           | CCPxM3          | CCPxM2              | CCPxM1           | CCPxM0           | 59                   |
| ECCPxAS <sup>(1)</sup>  | ECCPxASE  | ECCPxAS2  | ECCPxAS1 | ECCPxAS0        | PSSxAC1         | PSSxAC0             | PSSxBD1          | PSSxBD0          | 59, 61               |
| ECCPxDEL <sup>(1)</sup> | PxRSEN  | PxDC6     | PxDC5    | PxDC4           | PxDC3           | PxDC2               | PxDC1            | PxDC0            | 61                   |

**Legend:** — = unimplemented, read as '0'. Shaded cells are not used during ECCP operation.

**Note 1:** Generic term for all of the identical registers of this name for all Enhanced CCP modules, where 'x' identifies the individual module (ECCP1, ECCP2 or ECCP3). Bit assignments and Reset values for all registers of the same generic name are identical.

**2:** This register is not implemented on PIC18F6527/6622/6627/6722 devices.

## 19.0 MASTER SYNCHRONOUS SERIAL PORT (MSSP) MODULE

### 19.1 Master SSP (MSSP) Module Overview

The Master Synchronous Serial Port (MSSP) module is a serial interface, useful for communicating with other peripheral or microcontroller devices. These peripheral devices may be serial EEPROMs, shift registers, display drivers, A/D converters, etc. The MSSP module can operate in one of two modes:

- Serial Peripheral Interface (SPI)
- Inter-Integrated Circuit (I<sup>2</sup>C™)
  - Full Master mode
  - Slave mode (with general address call)

The I<sup>2</sup>C interface supports the following modes in hardware:

- Master mode
- Multi-Master mode
- Slave mode

All members of the PIC18F8722 family have two MSSP modules, designated as MSSP1 and MSSP2. Each module operates independently of the other.

**Note:** Throughout this section, generic references to an MSSP module in any of its operating modes may be interpreted as being equally applicable to MSSP1 or MSSP2. Register names and module I/O signals use the generic designator 'x' to indicate the use of a numeral to distinguish a particular module when required. Control bit names are not individuated.

### 19.2 Control Registers

Each MSSP module has three associated control registers. These include a status register (SSPxSTAT) and two control registers (SSPxCON1 and SSPxCON2). The use of these registers and their individual Configuration bits differ significantly depending on whether the MSSP module is operated in SPI or I<sup>2</sup>C mode.

Additional details are provided under the individual sections.

**Note:** In devices with more than one MSSP module, it is very important to pay close attention to SSPCON register names. SSP1CON1 and SSP1CON2 control different operational aspects of the same module, while SSP1CON1 and SSP2CON1 control the same features for two different modules.

### 19.3 SPI Mode

The SPI mode allows 8 bits of data to be synchronously transmitted and received simultaneously. All four modes of SPI are supported. To accomplish communication, typically three pins are used:

- Serial Data Out (SDOx) – RC5/SDO1 or RD4/SDO2
- Serial Data In (SDIx) – RC4/SDI1/SDA1 or RD5/SDI2/SDA2
- Serial Clock (SCKx) – RC3/SCK1/SCL1 or RD6/SCK2/SCL2

Additionally, a fourth pin may be used when in a Slave mode of operation:

- Slave Select ( $\overline{SSx}$ ) – RF7/ $\overline{SS1}$  or RD7/ $\overline{SS2}$

Figure 19-1 shows the block diagram of the MSSP module when operating in SPI mode.

**FIGURE 19-1: MSSP BLOCK DIAGRAM (SPI MODE)**



# PIC18F8722 FAMILY

## 19.3.1 REGISTERS

Each MSSP module has four registers for SPI mode operation. These are:

- MSSP Control Register 1 (SSPxCON1)
- MSSP Status Register (SSPxSTAT)
- Serial Receive/Transmit Buffer Register (SSPxBUF)
- MSSP Shift Register (SSPxSR) – Not directly accessible

SSPxCON1 and SSPxSTAT are the control and status registers in SPI mode operation. The SSPxCON1 register is readable and writable. The lower 6 bits of the SSPxSTAT are read-only. The upper two bits of the SSPxSTAT are read/write.

SSPxSR is the shift register used for shifting data in or out. SSPxBUF is the buffer register to which data bytes are written to or read from.

In receive operations, SSPxSR and SSPxBUF together create a double-buffered receiver. When SSPxSR receives a complete byte, it is transferred to SSPxBUF and the SSPxIF interrupt is set.

During transmission, the SSPxBUF is not double-buffered. A write to SSPxBUF will write to both SSPxBUF and SSPxSR.

### REGISTER 19-1: SSPxSTAT: MSSPx STATUS REGISTER (SPI MODE)

|       |       |              |     |     |              |     |       |
|-------|-------|--------------|-----|-----|--------------|-----|-------|
| R/W-0 | R/W-0 | R-0          | R-0 | R-0 | R-0          | R-0 | R-0   |
| SMP   | CKE   | D/ $\bar{A}$ | P   | S   | R/ $\bar{W}$ | UA  | BF    |
| bit 7 |       |              |     |     |              |     | bit 0 |

#### Legend:

|                   |                  |                                    |
|-------------------|------------------|------------------------------------|
| R = Readable bit  | W = Writable bit | U = Unimplemented bit, read as '0' |
| -n = Value at POR | '1' = Bit is set | '0' = Bit is cleared               |
|                   |                  | x = Bit is unknown                 |

- bit 7      **SMP:** Sample bit  
SPI Master mode:  
 1 = Input data sampled at end of data output time  
 0 = Input data sampled at middle of data output time  
SPI Slave mode:  
 SMP must be cleared when SPI is used in Slave mode.
- bit 6      **CKE:** SPI Clock Select bit  
 1 = Transmit occurs on transition from active to Idle clock state  
 0 = Transmit occurs on transition from Idle to active clock state  
     **Note:** Polarity of clock state is set by the CKP bit (SSPxCON1<4>).
- bit 5      **D/ $\bar{A}$ :** Data/Address bit  
 Used in I<sup>2</sup>C mode only.
- bit 4      **P:** Stop bit  
 Used in I<sup>2</sup>C mode only. This bit is cleared when the MSSP module is disabled, SSPEN is cleared.
- bit 3      **S:** Start bit  
 Used in I<sup>2</sup>C mode only.
- bit 2      **R/ $\bar{W}$ :** Read/Write Information bit  
 Used in I<sup>2</sup>C mode only.
- bit 1      **UA:** Update Address bit  
 Used in I<sup>2</sup>C mode only.
- bit 0      **BF:** Buffer Full Status bit (Receive mode only)  
 1 = Receive complete, SSPxBUF is full  
 0 = Receive not complete, SSPxBUF is empty



# PIC18F8722 FAMILY

**REGISTER 19-2: SSPxCON1: MSSPx CONTROL REGISTER 1 (SPI MODE)**

| R/W-0 | R/W-0                | R/W-0                | R/W-0 | R/W-0                | R/W-0                | R/W-0                | R/W-0                |
|-------|----------------------|----------------------|-------|----------------------|----------------------|----------------------|----------------------|
| WCOL  | SSPOV <sup>(1)</sup> | SSPEN <sup>(2)</sup> | CKP   | SSPM3 <sup>(3)</sup> | SSPM2 <sup>(3)</sup> | SSPM1 <sup>(3)</sup> | SSPM0 <sup>(3)</sup> |
| bit 7 |                      |                      |       |                      |                      |                      | bit 0                |

**Legend:**

|                   |                  |                                    |
|-------------------|------------------|------------------------------------|
| R = Readable bit  | W = Writable bit | U = Unimplemented bit, read as '0' |
| -n = Value at POR | '1' = Bit is set | '0' = Bit is cleared               |
|                   |                  | x = Bit is unknown                 |

- bit 7      **WCOL:** Write Collision Detect bit  
 1 = The SSPxBUF register is written while it is still transmitting the previous word (must be cleared in software)  
 0 = No collision
- bit 6      **SSPOV:** Receive Overflow Indicator bit<sup>(1)</sup>  
SPI Slave mode:  
 1 = A new byte is received while the SSPxBUF register is still holding the previous data. In case of overflow, the data in SSPxSR is lost. Overflow can only occur in Slave mode. The user must read the SSPxBUF, even if only transmitting data, to avoid setting overflow (must be cleared in software).  
 0 = No overflow
- bit 5      **SSPEN:** Synchronous Serial Port Enable bit<sup>(2)</sup>  
 1 = Enables serial port and configures SCKx, SDOx, SDIx and  $\overline{SSx}$  as serial port pins  
 0 = Disables serial port and configures these pins as I/O port pins
- bit 4      **CKP:** Clock Polarity Select bit  
 1 = Idle state for clock is a high level  
 0 = Idle state for clock is a low level
- bit 3-0    **SSPM<3:0>:** Synchronous Serial Port Mode Select bits<sup>(3)</sup>  
 0101 = SPI Slave mode, clock = SCKx pin,  $\overline{SSx}$  pin control disabled,  $\overline{SSx}$  can be used as I/O pin  
 0100 = SPI Slave mode, clock = SCKx pin,  $\overline{SSx}$  pin control enabled  
 0011 = SPI Master mode, clock = TMR2 output/2  
 0010 = SPI Master mode, clock = Fosc/64  
 0001 = SPI Master mode, clock = Fosc/16  
 0000 = SPI Master mode, clock = Fosc/4

- Note 1:** In Master mode, the overflow bit is not set since each new reception (and transmission) is initiated by writing to the SSPxBUF register.
- 2:** When enabled, these pins must be properly configured as input or output.
- 3:** Bit combinations not specifically listed here are either reserved or implemented in I<sup>2</sup>C™ mode only.

# PIC18F8722 FAMILY

## 19.3.2 OPERATION

When initializing the SPI, several options need to be specified. This is done by programming the appropriate control bits (SSPxCON1<5:0> and SSPxSTAT<7:6>). These control bits allow the following to be specified:

- Master mode (SCKx is the clock output)
- Slave mode (SCKx is the clock input)
- Clock Polarity (Idle state of SCKx)
- Data Input Sample Phase (middle or end of data output time)
- Clock Edge (output data on rising/falling edge of SCKx)
- Clock Rate (Master mode only)
- Slave Select mode (Slave mode only)

Each MSSP module consists of a transmit/receive shift register (SSPxSR) and a buffer register (SSPxBUF). The SSPxSR shifts the data in and out of the device, MSb first. The SSPxBUF holds the data that was written to the SSPxSR until the received data is ready. Once the 8 bits of data have been received, that byte is moved to the SSPxBUF register. Then, the Buffer Full detect bit, BF (SSPxSTAT<0>) and the interrupt flag bit, SSPxIF, are set. This double-buffering of the received data (SSPxBUF) allows the next byte to start reception

before reading the data that was just received. Any write to the SSPxBUF register during transmission/reception of data will be ignored and the Write Collision Detect bit, WCOL (SSPxCON1<7>), will be set. User software must clear the WCOL bit so that it can be determined if the following write(s) to the SSPxBUF register completed successfully.

When the application software is expecting to receive valid data, the SSPxBUF should be read before the next byte of data to transfer is written to the SSPxBUF. The Buffer Full bit, BF (SSPxSTAT<0>), indicates when SSPxBUF has been loaded with the received data (transmission is complete). When the SSPxBUF is read, the BF bit is cleared. This data may be irrelevant if the SPI is only a transmitter. Generally, the MSSP interrupt is used to determine when the transmission/reception has completed. If the interrupt method is not going to be used, then software polling can be done to ensure that a write collision does not occur. Example 19-1 shows the loading of the SSPxBUF (SSPxSR) for data transmission.

The SSPxSR is not directly readable or writable and can only be accessed by addressing the SSPxBUF register. Additionally, the SSPxSTAT register indicates the various status conditions.

### EXAMPLE 19-1: LOADING THE SSP1BUF (SSP1SR) REGISTER

|      |       |              |  |
|------|-------|--------------|--|
| LOOP | BTFSS | SSP1STAT, BF | ;Has data been received (transmit complete)? |
|      | BRA   | LOOP         | ;No  |
|      | MOVF  | SSP1BUF, W   | ;WREG reg = contents of SSP1BUF              |
|      | MOVWF | RXDATA       | ;Save in user RAM, if data is meaningful     |
|      | MOVF  | TXDATA, W    | ;W reg = contents of TXDATA                  |
|      | MOVWF | SSP1BUF      | ;New data to xmit                            |

## 19.3.3 ENABLING SPI I/O

To enable the serial port, SSP Enable bit, SSPEN (SSPxCON1<5>), must be set. To reset or reconfigure SPI mode, clear the SSPEN bit, reinitialize the SSPxCON registers and then set the SSPEN bit. This configures the SDIx, SDOx, SCKx and SSx pins as serial port pins. For the pins to behave as the serial port function, some must have their data direction bits (in the TRIS register) appropriately programmed as follows:

- SDIx is automatically controlled by the SPI module
- SDOx must have the TRISC<5> or TRISD<4> bit cleared
- SCKx (Master mode) must have the TRISC<3> or TRISD<6> bit cleared
- SCKx (Slave mode) must have the TRISC<3> or TRISD<6> bit set
- SSx must have the TRISF<7> or TRISD<7> bit set

Any serial port function that is not desired may be overridden by programming the corresponding data direction (TRIS) register to the opposite value.

## 19.3.4 TYPICAL CONNECTION

Figure 19-2 shows a typical connection between two microcontrollers. The master controller (Processor 1) initiates the data transfer by sending the SCKx signal. Data is shifted out of both shift registers on their programmed clock edge and latched on the opposite edge of the clock. Both processors should be programmed to the same Clock Polarity (CKP), then both controllers would send and receive data at the same time. Whether the data is meaningful (or dummy data) depends on the application software. This leads to three scenarios for data transmission:

- Master sends data – Slave sends dummy data
- Master sends data – Slave sends data
- Master sends dummy data – Slave sends data

**FIGURE 19-2: SPI MASTER/SLAVE CONNECTION**



# PIC18F8722 FAMILY

## 19.3.5 MASTER MODE

The master can initiate the data transfer at any time because it controls the SCKx. The master determines when the slave (Processor 1, Figure 19-2) is to broadcast data by the software protocol.

In Master mode, the data is transmitted/received as soon as the SSPxBUF register is written to. If the SPI is only going to receive, the SDOx output could be disabled (programmed as an input). The SSPxSR register will continue to shift in the signal present on the SDIx pin at the programmed clock rate. As each byte is received, it will be loaded into the SSPxBUF register as if a normal received byte (interrupts and status bits appropriately set). This could be useful in receiver applications as a "Line Activity Monitor" mode.

The clock polarity is selected by appropriately programming the CKP bit (SSPxCON1<4>). This then, would give waveforms for SPI communication as

shown in Figure 19-3, Figure 19-5 and Figure 19-6, where the MSB is transmitted first. In Master mode, the SPI clock rate (bit rate) is user programmable to be one of the following:

- $F_{OSC}/4$  (or  $T_{CY}$ )
- $F_{OSC}/16$  (or  $4 \cdot T_{CY}$ )
- $F_{OSC}/64$  (or  $16 \cdot T_{CY}$ )
- $Timer2\ output/2$

This allows a maximum data rate (at 40 MHz) of 10.00 Mbps.

Figure 19-3 shows the waveforms for Master mode. When the CKE bit is set, the SDOx data is valid before there is a clock edge on SCKx. The change of the input sample is shown based on the state of the SMP bit. The time when the SSPxBUF is loaded with the received data is shown.

**FIGURE 19-3: SPI MODE WAVEFORM (MASTER MODE)**



## 19.3.6 SLAVE MODE

In Slave mode, the data is transmitted and received as the external clock pulses appear on SCKx. When the last bit is latched, the SSPxIF interrupt flag bit is set.

While in Slave mode, the external clock is supplied by the external clock source on the SCKx pin. This external clock must meet the minimum high and low times as specified in the electrical specifications.

While in Sleep mode, the slave can transmit/receive data. When a byte is received, the device can be configured to wake-up from Sleep.

## 19.3.7 SLAVE SELECT SYNCHRONIZATION

The  $\overline{SSx}$  pin allows a Synchronous Slave mode. The SPI must be in Slave mode with the  $\overline{SSx}$  pin control enabled ( $SSPxCON1\langle 3:0 \rangle = 04h$ ). When the  $\overline{SSx}$  pin is low, transmission and reception are enabled and the SDOx pin is driven. When the  $\overline{SSx}$  pin goes high, the SDOx pin is no longer driven, even if in the middle of a

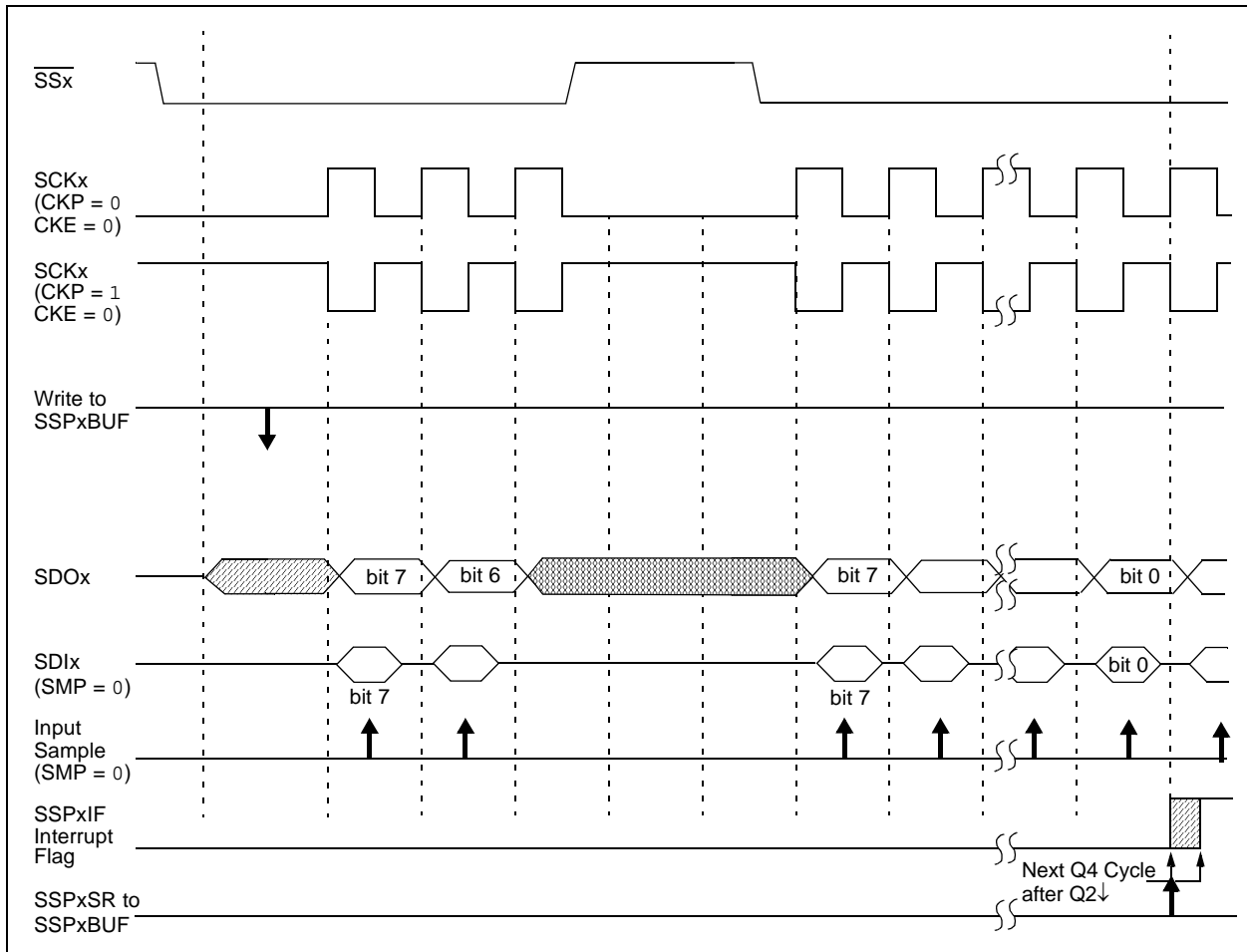
transmitted byte and becomes a floating output. External pull-up/pull-down resistors may be desirable depending on the application.

- Note 1:** When the SPI is in Slave mode with  $\overline{SSx}$  pin control enabled ( $SSPxCON1\langle 3:0 \rangle = 0100$ ), the SPI module will reset if the  $\overline{SSx}$  pin is set to VDD.
- 2:** If the SPI is used in Slave mode with CKE set, then the  $\overline{SSx}$  pin control must be enabled.

When the SPI module resets, the bit counter is forced to '0'. This can be done by either forcing the  $\overline{SSx}$  pin to a high level or clearing the SSPEN bit.

To emulate two-wire communication, the SDOx pin can be connected to the SDIx pin. When the SPI needs to operate as a receiver, the SDOx pin can be configured as an input. This disables transmissions from the SDOx. The SDIx can always be left as an input (SDI function) since it cannot create a bus conflict.

**FIGURE 19-4: SLAVE SYNCHRONIZATION WAVEFORM**



# PIC18F8722 FAMILY

**FIGURE 19-5: SPI MODE WAVEFORM (SLAVE MODE WITH CKE = 0)**



**FIGURE 19-6: SPI MODE WAVEFORM (SLAVE MODE WITH CKE = 1)**



## 19.3.8 OPERATION IN POWER-MANAGED MODES

In SPI Master mode, module clocks may be operating at a different speed than when in full power mode; in the case of the Sleep mode, all clocks are halted.

In Idle modes, a clock is provided to the peripherals. That clock can be from the primary clock source, the secondary clock (Timer1 oscillator) or the INTOSC source. See **Section 2.7 “Clock Sources and Oscillator Switching”** for additional information.

In most cases, the speed that the master clocks SPI data is not important; however, this should be evaluated for each system.

If MSSP interrupts are enabled, they can wake the controller from Sleep mode, or one of the Idle modes, when the master completes sending data. If an exit from Sleep or Idle mode is not desired, MSSP interrupts should be disabled.

If the Sleep mode is selected, all module clocks are halted and the transmission/reception will remain in that state until the device wakes. After the device returns to Run mode, the module will resume transmitting and receiving data.

In SPI Slave mode, the SPI Transmit/Receive Shift register operates asynchronously to the device. This allows the device to be placed in any power-managed mode and data to be shifted into the SPI Transmit/Receive Shift register. When all 8 bits have been received, the MSSP interrupt flag bit will be set and if enabled, will wake the device.

## 19.3.9 EFFECTS OF A RESET

A Reset disables the MSSP module and terminates the current transfer.

## 19.3.10 BUS MODE COMPATIBILITY

Table 19-1 shows the compatibility between the standard SPI modes and the states of the CKP and CKE control bits.

**TABLE 19-1: SPI BUS MODES**

| Standard SPI Mode Terminology | Control Bits State |     |
|-------------------------------|--------------------|-----|
|                               | CKP                | CKE |
| 0, 0                          | 0                  | 1   |
| 0, 1                          | 0                  | 0   |
| 1, 0                          | 1                  | 1   |
| 1, 1                          | 1                  | 0   |

There is also an SMP bit which controls when the data is sampled.

## 19.3.11 SPI CLOCK SPEED AND MODULE INTERACTIONS

Because MSSP1 and MSSP2 are independent modules, they can operate simultaneously at different data rates. Setting the SSPM3:SSPM0 bits of the SSPxCON register determines the rate for the corresponding module.

An exception is when both modules use Timer2 as a time base in Master mode. In this instance, any changes to the Timer2 module's operation will affect both MSSP modules equally. If different bit rates are required for each module, the user should select one of the other three time base options for one of the modules.

# PIC18F8722 FAMILY

**TABLE 19-2: REGISTERS ASSOCIATED WITH SPI OPERATION**

| Name     | Bit 7                                  | Bit 6     | Bit 5        | Bit 4  | Bit 3  | Bit 2        | Bit 1  | Bit 0  | Reset Values on page |
|----------|--|-----------|--------------|--------|--------|--------------|--------|--------|----------------------|
| INTCON   | GIE/GIEH                               | PEIE/GIEL | TMR0IE       | INT0IE | RBIE   | TMR0IF       | INT0IF | RBIF   | 57                   |
| PIR1     | PSPIF                                  | ADIF      | RC1IF        | TX1IF  | SSP1IF | CCP1IF       | TMR2IF | TMR1IF | 60                   |
| PIE1     | PSPIE                                  | ADIE      | RC1IE        | TX1IE  | SSP1IE | CCP1IE       | TMR2IE | TMR1IE | 60                   |
| IPR1     | PSPIP                                  | ADIP      | RC1IP        | TX1IP  | SSP1IP | CCP1IP       | TMR2IP | TMR1IP | 60                   |
| PIR3     | SSP2IF                                 | BCL2IF    | RC2IF        | TX2IF  | TMR4IF | CCP5IF       | CCP4IF | CCP3IF | 60                   |
| PIE3     | SSP2IE                                 | BCL2IE    | RC2IE        | TX2IE  | TMR4IE | CCP5IE       | CCP4IE | CCP3IE | 60                   |
| IPR3     | SSP2IP                                 | BCL2IP    | RC2IP        | TX2IP  | TMR4IP | CCP5IP       | CCP4IP | CCP3IP | 60                   |
| TRISC    | TRISC7                                 | TRISC6    | TRISC5       | TRISC4 | TRISC3 | TRISC2       | TRISC1 | TRISC0 | 60                   |
| TRISD    | TRISD7                                 | TRISD6    | TRISD5       | TRISD4 | TRISD3 | TRISD2       | TRISD1 | TRISD0 | 60                   |
| TRISF    | TRISF7                                 | TRISF6    | TRISF5       | TRISF4 | TRISF3 | TRISF2       | TRISF1 | TRISF0 | 60                   |
| TMR2     | Timer2 Register                        |           |              |        |        |              |        |        | 58                   |
| PR2      | Timer2 Period Register                 |           |              |        |        |              |        |        | 58                   |
| SSP1BUF  | MSSP1 Receive Buffer/Transmit Register |           |              |        |        |              |        |        | 58                   |
| SSP1CON1 | WCOL                                   | SSPOV     | SSPEN        | CKP    | SSPM3  | SSPM2        | SSPM1  | SSPM0  | 58                   |
| SSP1STAT | SMP                                    | CKE       | D/ $\bar{A}$ | P      | S      | R/ $\bar{W}$ | UA     | BF     | 58                   |
| SSP2BUF  | MSSP2 Receive Buffer/Transmit Register |           |              |        |        |              |        |        | 61                   |
| SSP2CON1 | WCOL                                   | SSPOV     | SSPEN        | CKP    | SSPM3  | SSPM2        | SSPM1  | SSPM0  | 61                   |
| SSP2STAT | SMP                                    | CKE       | D/ $\bar{A}$ | P      | S      | R/ $\bar{W}$ | UA     | BF     | 61                   |

**Legend:** Shaded cells are not used by the MSSP module in SPI mode.



## 19.4 I<sup>2</sup>C Mode

The MSSP module in I<sup>2</sup>C mode fully implements all master and slave functions (including general call support) and provides interrupts on Start and Stop bits in hardware to determine a free bus (multi-master function). The MSSP module implements the standard mode specifications, as well as 7-bit and 10-bit addressing.

Two pins are used for data transfer:

- Serial clock (SCLx) – RC3/SCK1/SCL1 or RD6/SCK2/SCL2
- Serial data (SDAx) – RC4/SDI1/SDA1 or RD5/SDI2/SDA2

The user must configure these pins as inputs by setting the associated TRIS bits.

**FIGURE 19-7: MSSP BLOCK DIAGRAM (I<sup>2</sup>C™ MODE)**



# PIC18F8722 FAMILY

## REGISTER 19-3: SSPxSTAT: MSSPx STATUS REGISTER (I<sup>2</sup>C™ MODE)

|       |       |              |                  |                  |                               |     |       |
|-------|-------|--------------|------------------|------------------|-------------------------------|-----|-------|
| R/W-0 | R/W-0 | R-0          | R-0              | R-0              | R-0                           | R-0 | R-0   |
| SMP   | CKE   | D/ $\bar{A}$ | P <sup>(1)</sup> | S <sup>(1)</sup> | R/ $\bar{W}$ <sup>(2,3)</sup> | UA  | BF    |
| bit 7 |       |              |                  |                  |                               |     | bit 0 |

### Legend:

|                   |                  |                                    |
|-------------------|------------------|------------------------------------|
| R = Readable bit  | W = Writable bit | U = Unimplemented bit, read as '0' |
| -n = Value at POR | '1' = Bit is set | '0' = Bit is cleared               |
|                   |                  | x = Bit is unknown                 |

|       |   |
|-------|---|
| bit 7 | <p><b>SMP:</b> Slew Rate Control bit</p> <p><u>In Master or Slave mode:</u></p> <p>1 = Slew rate control disabled for Standard Speed mode (100 kHz and 1 MHz)</p> <p>0 = Slew rate control enabled for High-Speed mode (400 kHz)</p>  |
| bit 6 | <p><b>CKE:</b> SMBus Select bit</p> <p><u>In Master or Slave mode:</u></p> <p>1 = Enable SMBus specific inputs</p> <p>0 = Disable SMBus specific inputs</p>   |
| bit 5 | <p><b>D/<math>\bar{A}</math>:</b> Data/Address bit</p> <p><u>In Master mode:</u></p> <p>Reserved.</p> <p><u>In Slave mode:</u></p> <p>1 = Indicates that the last byte received or transmitted was data</p> <p>0 = Indicates that the last byte received or transmitted was address</p>   |
| bit 4 | <p><b>P:</b> Stop bit<sup>(1)</sup></p> <p>1 = Indicates that a Stop bit has been detected last</p> <p>0 = Stop bit was not detected last</p>   |
| bit 3 | <p><b>S:</b> Start bit<sup>(1)</sup></p> <p>1 = Indicates that a Start bit has been detected last</p> <p>0 = Start bit was not detected last</p>  |
| bit 2 | <p><b>R/<math>\bar{W}</math>:</b> Read/Write Information bit<sup>(2,3)</sup></p> <p><u>In Slave mode:</u></p> <p>1 = Read</p> <p>0 = Write</p> <p><u>In Master mode:</u></p> <p>1 = Transmit is in progress</p> <p>0 = Transmit is not in progress</p>  |
| bit 1 | <p><b>UA:</b> Update Address bit (10-bit Slave mode only)</p> <p>1 = Indicates that the user needs to update the address in the SSPxADD register</p> <p>0 = Address does not need to be updated</p>   |
| bit 0 | <p><b>BF:</b> Buffer Full Status bit</p> <p><u>In Transmit mode:</u></p> <p>1 = SSPxBUF is full</p> <p>0 = SSPxBUF is empty</p> <p><u>In Receive mode:</u></p> <p>1 = SSPxBUF is full (does not include the <math>\bar{ACK}</math> and Stop bits)</p> <p>0 = SSPxBUF is empty (does not include the <math>\bar{ACK}</math> and Stop bits)</p> |

- Note 1:** This bit is cleared on Reset and when SSPEN is cleared.
- Note 2:** This bit holds the R/ $\bar{W}$  bit information following the last address match. This bit is only valid from the address match to the next Start bit, Stop bit or not  $\bar{ACK}$  bit.
- Note 3:** ORing this bit with SEN, RSEN, PEN, RCEN or ACKEN will indicate if the MSSP is in Active mode.

# PIC18F8722 FAMILY

**REGISTER 19-4: SSPxCON1: MSSPx CONTROL REGISTER 1 (I<sup>2</sup>C™ MODE)**

| R/W-0 | R/W-0 | R/W-0                | R/W-0 | R/W-0 | R/W-0 | R/W-0 | R/W-0 |
|-------|-------|----------------------|-------|-------|-------|-------|-------|
| WCOL  | SSPOV | SSPEN <sup>(1)</sup> | CKP   | SSPM3 | SSPM2 | SSPM1 | SSPM0 |
| bit 7 |       |                      |       |       |       |       | bit 0 |

**Legend:**

|                   |                  |                                    |
|-------------------|------------------|------------------------------------|
| R = Readable bit  | W = Writable bit | U = Unimplemented bit, read as '0' |
| -n = Value at POR | '1' = Bit is set | '0' = Bit is cleared               |
|                   |                  | x = Bit is unknown                 |

- bit 7      **WCOL:** Write Collision Detect bit  
In Master Transmit mode:  
 1 = A write to the SSPxBUF register was attempted while the I<sup>2</sup>C™ conditions were not valid for a transmission to be started (must be cleared in software)  
 0 = No collision  
In Slave Transmit mode:  
 1 = The SSPxBUF register is written while it is still transmitting the previous word (must be cleared in software)  
 0 = No collision  
In Receive mode (Master or Slave modes):  
 This is a “don’t care” bit.
- bit 6      **SSPOV:** Receive Overflow Indicator bit  
In Receive mode:  
 1 = A byte is received while the SSPxBUF register is still holding the previous byte (must be cleared in software)  
 0 = No overflow  
In Transmit mode:  
 This is a “don’t care” bit in Transmit mode.
- bit 5      **SSPEN:** Synchronous Serial Port Enable bit<sup>(1)</sup>  
 1 = Enables the serial port and configures the SDAx and SCLx pins as the serial port pins  
 0 = Disables serial port and configures these pins as I/O port pins
- bit 4      **CKP:** SCKx Release Control bit  
In Slave mode:  
 1 = Release clock  
 0 = Holds clock low (clock stretch), used to ensure data setup time  
In Master mode:  
 Unused in this mode.
- bit 3-0    **SSPM<3:0>:** Synchronous Serial Port Mode Select bits  
 1111 = I<sup>2</sup>C Slave mode, 10-bit address with Start and Stop bit interrupts enabled  
 1110 = I<sup>2</sup>C Slave mode, 7-bit address with Start and Stop bit interrupts enabled  
 1011 = I<sup>2</sup>C Firmware Controlled Master mode (Slave Idle)  
 1000 = I<sup>2</sup>C Master mode, clock = Fosc/(4 \* (SSPxADD + 1))  
 0111 = I<sup>2</sup>C Slave mode, 10-bit address  
 0110 = I<sup>2</sup>C Slave mode, 7-bit address  
 Bit combinations not specifically listed here are either reserved or implemented in SPI mode only.

**Note 1:** When enabled, the SDAx and SCLx pins must be configured as input.

# PIC18F8722 FAMILY

## REGISTER 19-5: SSPxCON2: MSSPx CONTROL REGISTER 2 (I<sup>2</sup>C™ MODE)

| R/W-0 | R/W-0   | R/W-0                | R/W-0                | R/W-0               | R/W-0              | R/W-0               | R/W-0              |
|-------|---------|----------------------|----------------------|---------------------|--------------------|---------------------|--------------------|
| GCEN  | ACKSTAT | ACKDT <sup>(1)</sup> | ACKEN <sup>(2)</sup> | RCEN <sup>(2)</sup> | PEN <sup>(2)</sup> | RSEN <sup>(2)</sup> | SEN <sup>(2)</sup> |
| bit 7 |         |                      |                      |                     |                    |                     | bit 0              |

### Legend:

|                   |                  |                                    |
|-------------------|------------------|------------------------------------|
| R = Readable bit  | W = Writable bit | U = Unimplemented bit, read as '0' |
| -n = Value at POR | '1' = Bit is set | '0' = Bit is cleared               |
|                   |                  | x = Bit is unknown                 |

- bit 7      **GCEN:** General Call Enable bit (Slave mode only)  
 1 = Enable interrupt when a general call address (0000h) is received in the SSPxSR  
 0 = General call address disabled
- bit 6      **ACKSTAT:** Acknowledge Status bit (Master Transmit mode only)  
 1 = Acknowledge was not received from slave  
 0 = Acknowledge was received from slave
- bit 5      **ACKDT:** Acknowledge Data bit (Master Receive mode only)<sup>(1)</sup>  
 1 = Not Acknowledge  
 0 = Acknowledge
- bit 4      **ACKEN:** Acknowledge Sequence Enable bit (Master Receive mode only)<sup>(2)</sup>  
 1 = Initiate Acknowledge sequence on SDAx and SCLx pins and transmit ACKDT data bit.  
 Automatically cleared by hardware.  
 0 = Acknowledge sequence Idle
- bit 3      **RCEN:** Receive Enable bit (Master mode only)<sup>(2)</sup>  
 1 = Enables Receive mode for I<sup>2</sup>C  
 0 = Receive Idle
- bit 2      **PEN:** Stop Condition Enable bit (Master mode only)<sup>(2)</sup>  
 1 = Initiate Stop condition on SDAx and SCLx pins. Automatically cleared by hardware.  
 0 = Stop condition Idle
- bit 1      **RSEN:** Repeated Start Condition Enable bit (Master mode only)<sup>(2)</sup>  
 1 = Initiate Repeated Start condition on SDAx and SCLx pins. Automatically cleared by hardware.  
 0 = Repeated Start condition Idle
- bit 0      **SEN:** Start Condition Enable/Stretch Enable bit<sup>(2)</sup>  
In Master mode:  
 1 = Initiate Start condition on SDAx and SCLx pins. Automatically cleared by hardware.  
 0 = Start condition Idle  
In Slave mode:  
 1 = Clock stretching is enabled for both slave transmit and slave receive (stretch enabled)  
 0 = Clock stretching is disabled

- Note 1:** Value that will be transmitted when the user initiates an Acknowledge sequence at the end of a receive.
- Note 2:** For bits ACKEN, RCEN, PEN, RSEN, SEN: If the I<sup>2</sup>C™ module is active, these bits may not be set (no spooling) and the SSPxBUF may not be written (or writes to the SSPxBUF are disabled).

## 19.4.2 OPERATION

The MSSP module functions are enabled by setting MSSP Enable bit, SSPEN (SSPxCON1<5>).

The SSPxCON1 register allows control of the I<sup>2</sup>C operation. Four mode selection bits (SSPxCON1<3:0>) allow one of the following I<sup>2</sup>C modes to be selected:

- I<sup>2</sup>C Master mode, clock
- I<sup>2</sup>C Slave mode (7-bit address)
- I<sup>2</sup>C Slave mode (10-bit address)
- I<sup>2</sup>C Slave mode (7-bit address) with Start and Stop bit interrupts enabled
- I<sup>2</sup>C Slave mode (10-bit address) with Start and Stop bit interrupts enabled
- I<sup>2</sup>C Firmware Controlled Master mode, slave is Idle

Selection of any I<sup>2</sup>C mode with the SSPEN bit set forces the SCLx and SDAx pins to be open-drain, provided these pins are programmed as inputs by setting the appropriate TRISC or TRISD bits. To ensure proper operation of the module, pull-up resistors must be provided externally to the SCLx and SDAx pins.

## 19.4.3 SLAVE MODE

In Slave mode, the SCLx and SDAx pins must be configured as inputs (TRISC<4:3> set). The MSSP module will override the input state with the output data when required (slave-transmitter).

The I<sup>2</sup>C Slave mode hardware will always generate an interrupt on an address match. Through the mode select bits, the user can also choose to interrupt on Start and Stop bits

When an address is matched, or the data transfer after an address match is received, the hardware automatically will generate the Acknowledge (ACK) pulse and load the SSPxBUF register with the received value currently in the SSPxSR register.

Any combination of the following conditions will cause the MSSP module not to give this ACK pulse:

- The Buffer Full bit, BF (SSPxSTAT<0>), was set before the transfer was received.
- The overflow bit, SSPOV (SSPxCON1<6>), was set before the transfer was received.

In this case, the SSPxSR register value is not loaded into the SSPxBUF, but bit SSPxIF is set. The BF bit is cleared by reading the SSPxBUF register, while bit SSPOV is cleared through software.

The SCLx clock input must have a minimum high and low for proper operation. The high and low times of the I<sup>2</sup>C specification, as well as the requirement of the MSSP module, are shown in timing parameter 100 and parameter 101.

## 19.4.3.1 Addressing

Once the MSSP module has been enabled, it waits for a Start condition to occur. Following the Start condition, the 8 bits are shifted into the SSPxSR register. All incoming bits are sampled with the rising edge of the clock (SCLx) line. The value of register SSPxSR<7:1> is compared to the value of the SSPxADD register. The address is compared on the falling edge of the eighth clock (SCLx) pulse. If the addresses match and the BF and SSPOV bits are clear, the following events occur:

1. The SSPxSR register value is loaded into the SSPxBUF register.
2. The Buffer Full bit, BF, is set.
3. An ACK pulse is generated.
4. The MSSP Interrupt Flag bit, SSPxIF, is set (and interrupt is generated, if enabled) on the falling edge of the ninth SCLx pulse.

In 10-Bit Addressing mode, two address bytes need to be received by the slave. The five Most Significant bits (MSBs) of the first address byte specify if this is a 10-bit address. Bit R/W (SSPxSTAT<2>) must specify a write so the slave device will receive the second address byte. For a 10-bit address, the first byte would equal '11110 A9 A8 0', where 'A9' and 'A8' are the two MSBs of the address. The sequence of events for 10-bit address is as follows, with steps 7 through 9 for the slave-transmitter:

1. Receive first (high) byte of address (bits SSPxIF, BF and UA (SSPxSTAT<1>) are set on address match).
2. Update the SSPxADD register with second (low) byte of address (clears bit UA and releases the SCLx line).
3. Read the SSPxBUF register (clears bit BF) and clear flag bit SSPxIF.
4. Receive second (low) byte of address (bits SSPxIF, BF and UA are set).
5. Update the SSPxADD register with the first (high) byte of address. If match releases SCLx line, this will clear bit UA.
6. Read the SSPxBUF register (clears bit BF) and clear flag bit SSPxIF.
7. Receive Repeated Start condition.
8. Receive first (high) byte of address (bits SSPxIF and BF are set).
9. Read the SSPxBUF register (clears bit BF) and clear flag bit SSPxIF.

# PIC18F8722 FAMILY

---

## 19.4.3.2 Reception

When the  $\overline{R/W}$  bit of the address byte is clear and an address match occurs, the  $\overline{R/W}$  bit of the SSPxSTAT register is cleared. The received address is loaded into the SSPxBUF register and the SDAx line is held low ( $\overline{ACK}$ ).

When the address byte overflow condition exists, then the no Acknowledge ( $\overline{ACK}$ ) pulse is given. An overflow condition is defined as either bit BF (SSPxSTAT<0>) is set, or bit SSPOV (SSPxCON1<6>) is set.

An MSSP interrupt is generated for each data transfer byte. The interrupt flag bit, SSPxIF, must be cleared in software. The SSPxSTAT register is used to determine the status of the byte.

If SEN is enabled (SSPxCON2<0> = 1), SCLx will be held low (clock stretch) following each data transfer. The clock must be released by setting bit, CKP (SSPxCON1<4>). See **Section 19.4.4 “Clock Stretching”** for more detail.

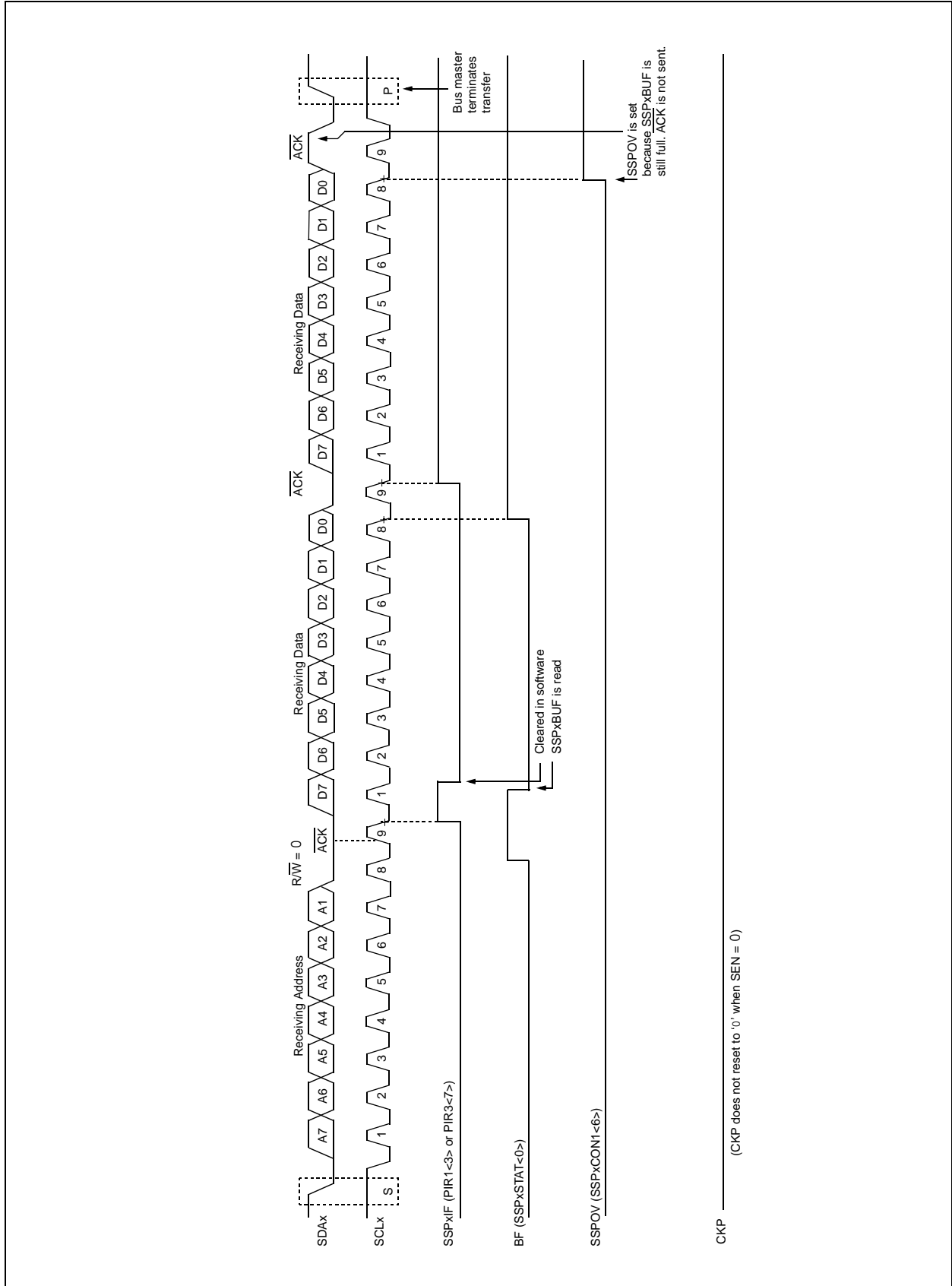
## 19.4.3.3 Transmission

When the  $\overline{R/W}$  bit of the incoming address byte is set and an address match occurs, the  $\overline{R/W}$  bit of the SSPxSTAT register is set. The received address is loaded into the SSPxBUF register. The  $\overline{ACK}$  pulse will be sent on the ninth bit and pin SCLx is held low regardless of SEN (see **Section 19.4.4 “Clock Stretching”** for more detail). By stretching the clock, the master will be unable to assert another clock pulse until the slave is done preparing the transmit data. The transmit data must be loaded into the SSPxBUF register which also loads the SSPxSR register. Then pin SCLx should be enabled by setting bit, CKP (SSPxCON1<4>). The eight data bits are shifted out on the falling edge of the SCLx input. This ensures that the SDAx signal is valid during the SCLx high time (Figure 19-9).

The  $\overline{ACK}$  pulse from the master-receiver is latched on the rising edge of the ninth SCLx input pulse. If the SDAx line is high (not  $\overline{ACK}$ ), then the data transfer is complete. In this case, when the  $\overline{ACK}$  is latched by the slave, the slave logic is reset (resets SSPxSTAT register) and the slave monitors for another occurrence of the Start bit. If the SDAx line was low ( $\overline{ACK}$ ), the next transmit data must be loaded into the SSPxBUF register. Again, pin SCLx must be enabled by setting bit CKP.

An MSSP interrupt is generated for each data transfer byte. The SSPxIF bit must be cleared in software and the SSPxSTAT register is used to determine the status of the byte. The SSPxIF bit is set on the falling edge of the ninth clock pulse.

**FIGURE 19-8: I<sup>2</sup>C™ SLAVE MODE TIMING WITH SEN = 0 (RECEPTION, 7-BIT ADDRESS)**



# PIC18F8722 FAMILY

FIGURE 19-9: I<sup>2</sup>C™ SLAVE MODE TIMING (TRANSMISSION, 7-BIT ADDRESS)





**FIGURE 19-10: I<sup>2</sup>C™ SLAVE MODE TIMING WITH SEN = 0 (RECEPTION, 10-BIT ADDRESS)**



# PIC18F8722 FAMILY

FIGURE 19-11: I<sup>2</sup>C™ SLAVE MODE TIMING (TRANSMISSION, 10-BIT ADDRESS)



## 19.4.4 CLOCK STRETCHING

Both 7-Bit and 10-Bit Slave modes implement automatic clock stretching during a transmit sequence.

The SEN bit (SSPxCON2<0>) allows clock stretching to be enabled during receives. Setting SEN will cause the SCLx pin to be held low at the end of each data receive sequence.

### 19.4.4.1 Clock Stretching for 7-Bit Slave Receive Mode (SEN = 1)

In 7-Bit Slave Receive mode, on the falling edge of the ninth clock at the end of the ACK sequence, if the BF bit is set, the CKP bit in the SSPxCON1 register is automatically cleared, forcing the SCLx output to be held low. The CKP being cleared to '0' will assert the SCLx line low. The CKP bit must be set in the user's ISR before reception is allowed to continue. By holding the SCLx line low, the user has time to service the ISR and read the contents of the SSPxBUF before the master device can initiate another receive sequence. This will prevent buffer overruns from occurring (see Figure 19-13).

**Note 1:** If the user reads the contents of the SSPxBUF before the falling edge of the ninth clock, thus clearing the BF bit, the CKP bit will not be cleared and clock stretching will not occur.

**2:** The CKP bit can be set in software regardless of the state of the BF bit. The user should be careful to clear the BF bit in the ISR before the next receive sequence in order to prevent an overflow condition.

### 19.4.4.2 Clock Stretching for 10-Bit Slave Receive Mode (SEN = 1)

In 10-Bit Slave Receive mode during the address sequence, clock stretching automatically takes place but CKP is not cleared. During this time, if the UA bit is set after the ninth clock, clock stretching is initiated. The UA bit is set after receiving the upper byte of the 10-bit address and following the receive of the second byte of the 10-bit address with the R/W bit cleared to '0'. The release of the clock line occurs upon updating SSPxADD. Clock stretching will occur on each data receive sequence as described in 7-bit mode.

**Note:** If the user polls the UA bit and clears it by updating the SSPxADD register before the falling edge of the ninth clock occurs and if the user hasn't cleared the BF bit by reading the SSPxBUF register before that time, then the CKP bit will still NOT be asserted low. Clock stretching on the basis of the state of the BF bit only occurs during a data sequence, not an address sequence.

### 19.4.4.3 Clock Stretching for 7-Bit Slave Transmit Mode

The 7-Bit Slave Transmit mode implements clock stretching by clearing the CKP bit after the falling edge of the ninth clock if the BF bit is clear. This occurs regardless of the state of the SEN bit.

The user's ISR must set the CKP bit before transmission is allowed to continue. By holding the SCLx line low, the user has time to service the ISR and load the contents of the SSPxBUF before the master device can initiate another transmit sequence (see Figure 19-9).

**Note 1:** If the user loads the contents of SSPxBUF, setting the BF bit before the falling edge of the ninth clock, the CKP bit will not be cleared and clock stretching will not occur.

**2:** The CKP bit can be set in software regardless of the state of the BF bit.

### 19.4.4.4 Clock Stretching for 10-Bit Slave Transmit Mode

In 10-Bit Slave Transmit mode, clock stretching is controlled during the first two address sequences by the state of the UA bit, just as it is in 10-Bit Slave Receive mode. The first two addresses are followed by a third address sequence which contains the high-order bits of the 10-bit address and the R/W bit set to '1'. After the third address sequence is performed, the UA bit is not set, the module is now configured in Transmit mode and clock stretching is controlled by the BF flag as in 7-Bit Slave Transmit mode (see Figure 19-11).

# PIC18F8722 FAMILY

## 19.4.4.5 Clock Synchronization and the CKP bit

When the CKP bit is cleared, the SCLx output is forced to '0'. However, clearing the CKP bit will not assert the SCLx output low until the SCLx output is already sampled low. Therefore, the CKP bit will not assert the SCLx line until an external I<sup>2</sup>C master device has

already asserted the SCLx line. The SCLx output will remain low until the CKP bit is set and all other devices on the I<sup>2</sup>C bus have deasserted SCLx. This ensures that a write to the CKP bit will not violate the minimum high time requirement for SCLx (see Figure 19-12).

**FIGURE 19-12: CLOCK SYNCHRONIZATION TIMING**



**FIGURE 19-13: I<sup>2</sup>C™ SLAVE MODE TIMING WITH SEN = 1 (RECEPTION, 7-BIT ADDRESS)**



# PIC18F8722 FAMILY

FIGURE 19-14: I<sup>2</sup>C™ SLAVE MODE TIMING WITH SEN = 1 (RECEPTION, 10-BIT ADDRESS)



## 19.4.5 GENERAL CALL ADDRESS SUPPORT

The addressing procedure for the I<sup>2</sup>C bus is such that the first byte after the Start condition usually determines which device will be the slave addressed by the master. The exception is the general call address which can address all devices. When this address is used, all devices should, in theory, respond with an Acknowledge.

The general call address is one of eight addresses reserved for specific purposes by the I<sup>2</sup>C protocol. It consists of all '0's with R/W = 0.

The general call address is recognized when the General Call Enable bit, GCEN, is enabled (SSPxCON2<7> set). Following a Start bit detect, 8 bits are shifted into the SSPxSR and the address is compared against the SSPxADD. It is also compared to the general call address and fixed in hardware.

If the general call address matches, the SSPxSR is transferred to the SSPxBUF, the BF flag bit is set (eighth bit) and on the falling edge of the ninth bit ( $\overline{ACK}$  bit), the SSPxIF interrupt flag bit is set.

When the interrupt is serviced, the source for the interrupt can be checked by reading the contents of the SSPxBUF. The value can be used to determine if the address was device specific or a general call address.

In 10-bit mode, the SSPxADD is required to be updated for the second half of the address to match and the UA bit is set (SSPxSTAT<1>). If the general call address is sampled when the GCEN bit is set, while the slave is configured in 10-Bit Addressing mode, then the second half of the address is not necessary, the UA bit will not be set and the slave will begin receiving data after the Acknowledge (Figure 19-15).

**FIGURE 19-15: SLAVE MODE GENERAL CALL ADDRESS SEQUENCE (7 OR 10-BIT ADDRESS MODE)**



# PIC18F8722 FAMILY

## 19.4.6 MASTER MODE

Master mode is enabled by setting and clearing the appropriate SSPM bits in SSPxCON1 and by setting the SSPEN bit. In Master mode, the SCLx and SDAx lines are manipulated by the MSSP hardware if the TRIS bits are set.

Master mode of operation is supported by interrupt generation on the detection of the Start and Stop conditions. The Stop (P) and Start (S) bits are cleared from a Reset or when the MSSP module is disabled. Control of the I<sup>2</sup>C bus may be taken when the P bit is set, or the bus is Idle, with both the S and P bits clear.

In Firmware Controlled Master mode, user code conducts all I<sup>2</sup>C bus operations based on Start and Stop bit conditions.

Once Master mode is enabled, the user has six options.

1. Assert a Start condition on SDAx and SCLx.
2. Assert a Repeated Start condition on SDAx and SCLx.
3. Write to the SSPxBUF register initiating transmission of data/address.
4. Configure the I<sup>2</sup>C port to receive data.
5. Generate an Acknowledge condition at the end of a received byte of data.
6. Generate a Stop condition on SDAx and SCLx.

**Note:** The MSSP module, when configured in I<sup>2</sup>C Master mode, does not allow queueing of events. For instance, the user is not allowed to initiate a Start condition and immediately write the SSPxBUF register to initiate transmission before the Start condition is complete. In this case, the SSPxBUF will not be written to and the WCOL bit will be set, indicating that a write to the SSPxBUF did not occur.

The following events will cause the SSP Interrupt Flag bit, SSPxIF, to be set (and SSP interrupt, if enabled):

- Start condition
- Stop condition
- Data transfer byte transmitted/received
- Acknowledge transmit
- Repeated Start

**FIGURE 19-16: MSSP BLOCK DIAGRAM (I<sup>2</sup>C™ MASTER MODE)**





## 19.4.6.1 I<sup>2</sup>C Master Mode Operation

The master device generates all of the serial clock pulses and the Start and Stop conditions. A transfer is ended with a Stop condition or with a Repeated Start condition. Since the Repeated Start condition is also the beginning of the next serial transfer, the I<sup>2</sup>C bus will not be released.

In Master Transmitter mode, serial data is output through SDA<sub>x</sub>, while SCL<sub>x</sub> outputs the serial clock. The first byte transmitted contains the slave address of the receiving device (7 bits) and the Read/Write (R/W) bit. In this case, the R/W bit will be logic '0'. Serial data is transmitted 8 bits at a time. After each byte is transmitted, an Acknowledge bit is received. Start and Stop conditions are output to indicate the beginning and the end of a serial transfer.

In Master Receive mode, the first byte transmitted contains the slave address of the transmitting device (7 bits) and the R/W bit. In this case, the R/W bit will be logic '1'. Thus, the first byte transmitted is a 7-bit slave address, followed by a '1' to indicate the receive bit. Serial data is received via SDA<sub>x</sub>, while SCL<sub>x</sub> outputs the serial clock. Serial data is received 8 bits at a time. After each byte is received, an Acknowledge bit is transmitted. Start and Stop conditions indicate the beginning and end of transmission.

The Baud Rate Generator used for the SPI mode operation is used to set the SCL<sub>x</sub> clock frequency for either 100 kHz, 400 kHz or 1 MHz I<sup>2</sup>C operation. See **Section 19.4.7 "Baud Rate"** for more detail.

A typical transmit sequence would go as follows:

1. The user generates a Start condition by setting the Start Enable bit, SEN (SSPxCON2<0>).
2. SSPxIF is set. The MSSP module will wait the required start time before any other operation takes place.
3. The user loads the SSPxBUF with the slave address to transmit.
4. Address is shifted out the SDA<sub>x</sub> pin until all 8 bits are transmitted.
5. The MSSP module shifts in the ACK bit from the slave device and writes its value into the SSPxCON2 register (SSPxCON2<6>).
6. The MSSP module generates an interrupt at the end of the ninth clock cycle by setting the SSPxIF bit.
7. The user loads the SSPxBUF with eight bits of data.
8. Data is shifted out the SDA<sub>x</sub> pin until all 8 bits are transmitted.
9. The MSSP module shifts in the ACK bit from the slave device and writes its value into the SSPxCON2 register (SSPxCON2<6>).
10. The MSSP module generates an interrupt at the end of the ninth clock cycle by setting the SSPxIF bit.
11. The user generates a Stop condition by setting the Stop Enable bit, PEN (SSPxCON2<2>).
12. Interrupt is generated once the Stop condition is complete.

# PIC18F8722 FAMILY

## 19.4.7 BAUD RATE

In I<sup>2</sup>C Master mode, the Baud Rate Generator (BRG) reload value is placed in the lower 7 bits of the SSPxADD register (Figure 19-17). When a write occurs to SSPxBUF, the Baud Rate Generator will automatically begin counting. The BRG counts down to '0' and stops until another reload has taken place. The BRG count is decremented twice per instruction cycle (Tcy) on the Q2 and Q4 clocks. In I<sup>2</sup>C Master mode, the BRG is reloaded automatically.

Once the given operation is complete (i.e., transmission of the last data bit is followed by  $\overline{ACK}$ ), the internal clock will automatically stop counting and the SCLx pin will remain in its last state.

Table 19-3 demonstrates clock rates based on instruction cycles and the BRG value loaded into SSPxADD.

### 19.4.7.1 Baud Rate and Module Interdependence

Because MSSP1 and MSSP2 are independent, they can operate simultaneously in I<sup>2</sup>C Master mode at different baud rates. This is done by using different BRG reload values for each module.

Because this mode derives its basic clock source from the system clock, any changes to the clock will affect both modules in the same proportion. It may be possible to change one or both baud rates back to a previous value by changing the BRG reload value.

**FIGURE 19-17: BAUD RATE GENERATOR BLOCK DIAGRAM**



**TABLE 19-3: I<sup>2</sup>C™ CLOCK RATE w/BRG**

| Fosc   | Fcy    | Fcy*2  | BRG Value | Fscl<br>(2 Rollovers of BRG) |
|--------|--------|--------|-----------|------------------------------|
| 40 MHz | 10 MHz | 20 MHz | 18h       | 400 kHz <sup>(1)</sup>       |
| 40 MHz | 10 MHz | 20 MHz | 1Fh       | 312.5 kHz                    |
| 40 MHz | 10 MHz | 20 MHz | 63h       | 100 kHz                      |
| 16 MHz | 4 MHz  | 8 MHz  | 09h       | 400 kHz <sup>(1)</sup>       |
| 16 MHz | 4 MHz  | 8 MHz  | 0Ch       | 308 kHz                      |
| 16 MHz | 4 MHz  | 8 MHz  | 27h       | 100 kHz                      |
| 4 MHz  | 1 MHz  | 2 MHz  | 02h       | 333 kHz <sup>(1)</sup>       |
| 4 MHz  | 1 MHz  | 2 MHz  | 09h       | 100 kHz                      |
| 4 MHz  | 1 MHz  | 2 MHz  | 00h       | 1 MHz <sup>(1)</sup>         |

**Note 1:** The I<sup>2</sup>C interface does not conform to the 400 kHz I<sup>2</sup>C specification (which applies to rates greater than 100 kHz) in all details, but may be used with care where higher rates are required by the application.

## 19.4.7.2 Clock Arbitration

Clock arbitration occurs when the master, during any receive, transmit or Repeated Start/Stop condition, deasserts the SCLx pin (SCLx allowed to float high). When the SCLx pin is allowed to float high, the Baud Rate Generator (BRG) is suspended from counting until the SCLx pin is actually sampled high. When the

SCLx pin is sampled high, the Baud Rate Generator is reloaded with the contents of SSPxADD<6:0> and begins counting. This ensures that the SCLx high time will always be at least one BRG rollover count in the event that the clock is held low by an external device (Figure 19-18).

**FIGURE 19-18: BAUD RATE GENERATOR TIMING WITH CLOCK ARBITRATION**



# PIC18F8722 FAMILY

## 19.4.8 I<sup>2</sup>C MASTER MODE START CONDITION TIMING

To initiate a Start condition, the user sets the Start Enable bit, SEN (SSPxCON2<0>). If the SDAx and SCLx pins are sampled high, the Baud Rate Generator is reloaded with the contents of SSPxADD<6:0> and starts its count. If SCLx and SDAx are both sampled high when the Baud Rate Generator times out (TBRG), the SDAx pin is driven low. The action of the SDAx being driven low while SCLx is high is the Start condition and causes the S bit (SSPxSTAT<3>) to be set. Following this, the Baud Rate Generator is reloaded with the contents of SSPxADD<6:0> and resumes its count. When the Baud Rate Generator times out (TBRG), the SEN bit (SSPxCON2<0>) will be automatically cleared by hardware; the Baud Rate Generator is suspended, leaving the SDAx line held low and the Start condition is complete.

**Note:** If at the beginning of the Start condition, the SDAx and SCLx pins are already sampled low, or if during the Start condition, the SCLx line is sampled low before the SDAx line is driven low, a bus collision occurs, the Bus Collision Interrupt Flag, BCLxIF, is set, the Start condition is aborted and the I<sup>2</sup>C module is reset into its Idle state.

### 19.4.8.1 WCOL Status Flag

If the user writes the SSPxBUF when a Start sequence is in progress, the WCOL bit is set and the contents of the buffer are unchanged (the write doesn't occur).

**Note:** Because queueing of events is not allowed, writing to the lower 5 bits of SSPxCON2 is disabled until the Start condition is complete.

**FIGURE 19-19: FIRST START BIT TIMING**



## 19.4.9 I<sup>2</sup>C MASTER MODE REPEATED START CONDITION TIMING

A Repeated Start condition occurs when the RSEN bit (SSPxCON2<1>) is programmed high and the I<sup>2</sup>C logic module is in the Idle state. When the RSEN bit is set, the SCLx pin is asserted low. When the SCLx pin is sampled low, the Baud Rate Generator is loaded with the contents of SSPxADD<5:0> and begins counting. The SDAx pin is released (brought high) for one Baud Rate Generator count (TBRG). When the Baud Rate Generator times out, if SDAx is sampled high, the SCLx pin will be deasserted (brought high). When SCLx is sampled high, the Baud Rate Generator is reloaded with the contents of SSPxADD<6:0> and begins counting. SDAx and SCLx must be sampled high for one TBRG. This action is then followed by assertion of the SDAx pin (SDAx = 0) for one TBRG while SCLx is high. Following this, the RSEN bit (SSPxCON2<1>) will be automatically cleared and the Baud Rate Generator will not be reloaded, leaving the SDAx pin held low. As soon as a Start condition is detected on the SDAx and SCLx pins, the S bit (SSPxSTAT<3>) will be set. The SSPxIF bit will not be set until the Baud Rate Generator has timed out.

**Note 1:** If RSEN is programmed while any other event is in progress, it will not take effect.

**2:** A bus collision during the Repeated Start condition occurs if:

- SDAx is sampled low when SCLx goes from low-to-high.
- SCLx goes low before SDAx is asserted low. This may indicate that another master is attempting to transmit a data '1'.

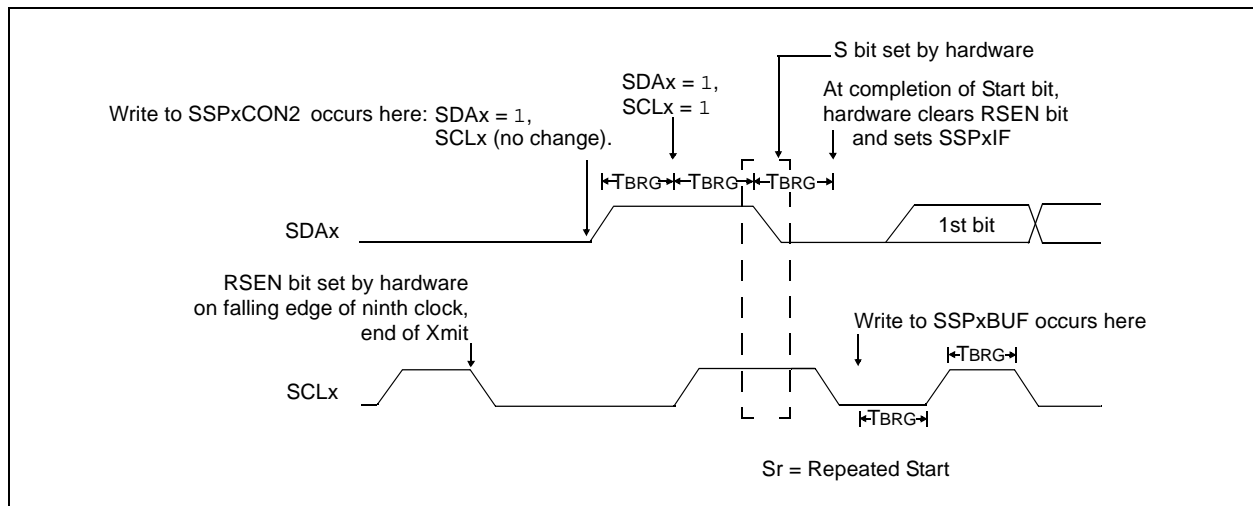
Immediately following the SSPxIF bit getting set, the user may write the SSPxBUF with the 7-bit address in 7-bit mode or the default first address in 10-bit mode. After the first eight bits are transmitted and an ACK is received, the user may then transmit an additional eight bits of address (10-bit mode) or eight bits of data (7-bit mode).

### 19.4.9.1 WCOL Status Flag

If the user writes the SSPxBUF when a Repeated Start sequence is in progress, the WCOL is set and the contents of the buffer are unchanged (the write doesn't occur).

**Note:** Because queueing of events is not allowed, writing of the lower 5 bits of SSPxCON2 is disabled until the Repeated Start condition is complete.

**FIGURE 19-20: REPEATED START CONDITION WAVEFORM**



# PIC18F8722 FAMILY

## 19.4.10 I<sup>2</sup>C MASTER MODE TRANSMISSION

Transmission of a data byte, a 7-bit address, or the other half of a 10-bit address, is accomplished by simply writing a value to the SSPxBUF register. This action will set the Buffer Full flag bit, BF and allow the Baud Rate Generator to begin counting and start the next transmission. Each bit of address/data will be shifted out onto the SDAx pin after the falling edge of SCLx is asserted (see data hold time specification parameter 106). SCLx is held low for one Baud Rate Generator rollover count (TBRG). Data should be valid before SCLx is released high (see data setup time specification parameter 107). When the SCLx pin is released high, it is held that way for TBRG. The data on the SDAx pin must remain stable for that duration and some hold time after the next falling edge of SCLx. After the eighth bit is shifted out (the falling edge of the eighth clock), the BF flag is cleared and the master releases SDAx. This allows the slave device being addressed to respond with an  $\overline{\text{ACK}}$  bit during the ninth bit time if an address match occurred, or if data was received properly. The status of ACK is written into the ACKDT bit on the falling edge of the ninth clock. If the master receives an Acknowledge, the Acknowledge Status bit, ACKSTAT, is cleared. If not, the bit is set. After the ninth clock, the SSPxIF bit is set and the master clock (Baud Rate Generator) is suspended until the next data byte is loaded into the SSPxBUF, leaving SCLx low and SDAx unchanged (Figure 19-21).

After the write to the SSPxBUF, each bit of the address will be shifted out on the falling edge of SCLx until all seven address bits and the R/W bit are completed. On the falling edge of the eighth clock, the master will deassert the SDAx pin, allowing the slave to respond with an Acknowledge. On the falling edge of the ninth clock, the master will sample the SDAx pin to see if the address was recognized by a slave. The status of the ACK bit is loaded into the ACKSTAT status bit (SSPxCON2<6>). Following the falling edge of the ninth clock transmission of the address, the SSPxIF is set, the BF flag is cleared and the Baud Rate Generator is turned off until another write to the SSPxBUF takes place, holding SCLx low and allowing SDAx to float.

### 19.4.10.1 BF Status Flag

In Transmit mode, the BF bit (SSPxSTAT<0>) is set when the CPU writes to SSPxBUF and is cleared when all 8 bits are shifted out.

### 19.4.10.2 WCOL Status Flag

If the user writes the SSPxBUF when a transmit is already in progress (i.e., SSPxSR is still shifting out a data byte), the WCOL bit is set and the contents of the buffer are unchanged (the write doesn't occur) after 2 T<sub>cy</sub> after the SSPxBUF write. If SSPxBUF is rewritten within 2 T<sub>cy</sub>, the WCOL bit is set and SSPxBUF is updated. This may result in a corrupted transfer.

The user should verify that the WCOL bit is clear after each write to SSPxBUF to ensure the transfer is correct. In all cases, WCOL must be cleared in software.

### 19.4.10.3 ACKSTAT Status Flag

In Transmit mode, the ACKSTAT bit (SSPxCON2<6>) is cleared when the slave has sent an Acknowledge ( $\overline{\text{ACK}} = 0$ ) and is set when the slave does not Acknowledge ( $\overline{\text{ACK}} = 1$ ). A slave sends an Acknowledge when it has recognized its address (including a general call), or when the slave has properly received its data.

## 19.4.11 I<sup>2</sup>C MASTER MODE RECEPTION

Master mode reception is enabled by programming the Receive Enable bit, RCEN (SSPxCON2<3>).

|   |
|---|
| <b>Note:</b> The MSSP module must be in an inactive state before the RCEN bit is set or the RCEN bit will be disregarded. |
|---|

The Baud Rate Generator begins counting and on each rollover, the state of the SCLx pin changes (high-to-low/low-to-high) and data is shifted into the SSPxSR. After the falling edge of the eighth clock, the receive enable flag is automatically cleared, the contents of the SSPxSR are loaded into the SSPxBUF, the BF flag bit is set, the SSPxIF flag bit is set and the Baud Rate Generator is suspended from counting, holding SCLx low. The MSSP is now in Idle state awaiting the next command. When the buffer is read by the CPU, the BF flag bit is automatically cleared. The user can then send an Acknowledge bit at the end of reception by setting the Acknowledge Sequence Enable bit, ACKEN (SSPxCON2<4>).

### 19.4.11.1 BF Status Flag

In receive operation, the BF bit is set when an address or data byte is loaded into SSPxBUF from SSPxSR. It is cleared when the SSPxBUF register is read.

### 19.4.11.2 SSPOV Status Flag

In receive operation, the SSPOV bit is set when 8 bits are received into the SSPxSR and the BF flag bit is already set from a previous reception.

### 19.4.11.3 WCOL Status Flag

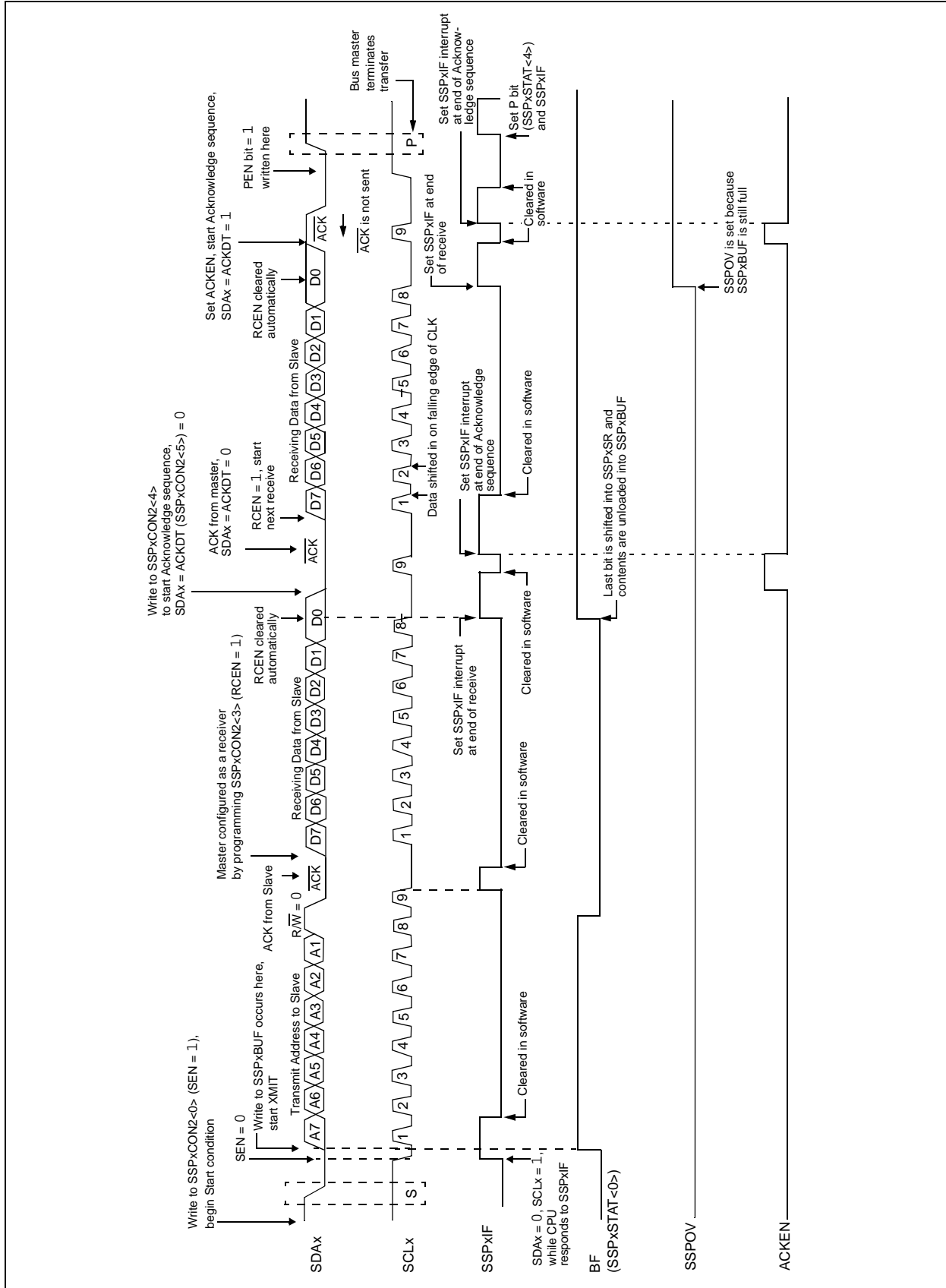
If the user writes the SSPxBUF when a receive is already in progress (i.e., SSPxSR is still shifting in a data byte), the WCOL bit is set and the contents of the buffer are unchanged (the write doesn't occur).

FIGURE 19-21: I<sup>2</sup>C™ MASTER MODE WAVEFORM (TRANSMISSION, 7 OR 10-BIT ADDRESS)



# PIC18F8722 FAMILY

FIGURE 19-22: I<sup>2</sup>C™ MASTER MODE WAVEFORM (RECEPTION, 7-BIT ADDRESS)





## 19.4.12 ACKNOWLEDGE SEQUENCE TIMING

An Acknowledge sequence is enabled by setting the Acknowledge Sequence Enable bit, ACKEN (SSPxCON2<4>). When this bit is set, the SCLx pin is pulled low and the contents of the Acknowledge data bit are presented on the SDAx pin. If the user wishes to generate an Acknowledge, then the ACKDT bit should be cleared. If not, the user should set the ACKDT bit before starting an Acknowledge sequence. The Baud Rate Generator then counts for one rollover period (TBRG) and the SCLx pin is deasserted (pulled high). When the SCLx pin is sampled high (clock arbitration), the Baud Rate Generator counts for TBRG. The SCLx pin is then pulled low. Following this, the ACKEN bit is automatically cleared, the Baud Rate Generator is turned off and the MSSP module then goes into an inactive state (Figure 19-23).

### 19.4.12.1 WCOL Status Flag

If the user writes the SSPxBUF when an Acknowledge sequence is in progress, then WCOL is set and the contents of the buffer are unchanged (the write doesn't occur).

## 19.4.13 STOP CONDITION TIMING

A Stop bit is asserted on the SDAx pin at the end of a receive/transmit by setting the Stop Sequence Enable bit, PEN (SSPxCON2<2>). At the end of a receive/transmit, the SCLx line is held low after the falling edge of the ninth clock. When the PEN bit is set, the master will assert the SDAx line low. When the SDAx line is sampled low, the Baud Rate Generator is reloaded and counts down to '0'. When the Baud Rate Generator times out, the SCLx pin will be brought high and one TBRG (Baud Rate Generator rollover count) later, the SDAx pin will be deasserted. When the SDAx pin is sampled high while SCLx is high, the P bit (SSPxSTAT<4>) is set. A TBRG later, the PEN bit is cleared and the SSPxIF bit is set (Figure 19-24).

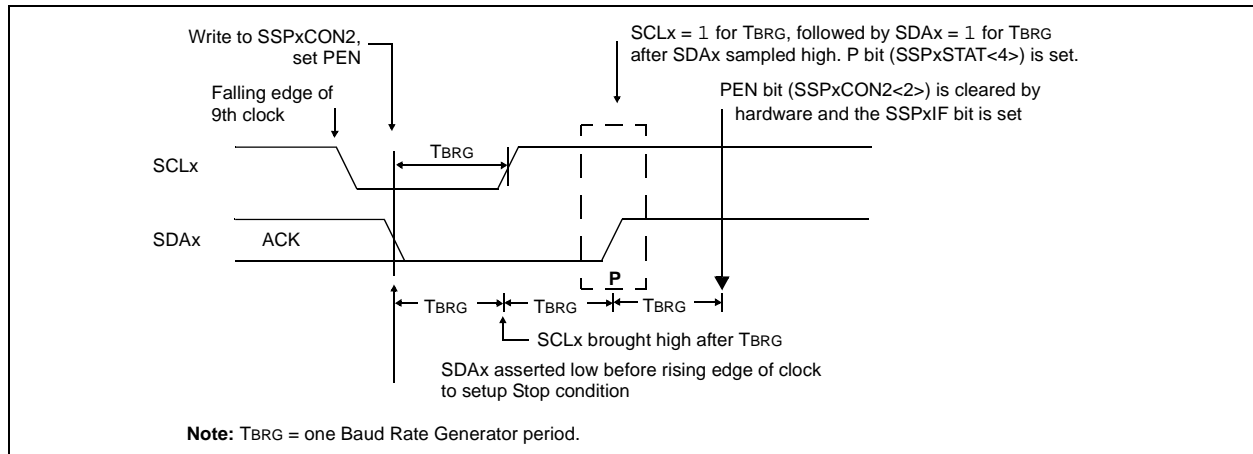
### 19.4.13.1 WCOL Status Flag

If the user writes the SSPxBUF when a Stop sequence is in progress, then the WCOL bit is set and the contents of the buffer are unchanged (the write doesn't occur).

**FIGURE 19-23: ACKNOWLEDGE SEQUENCE WAVEFORM**



**FIGURE 19-24: STOP CONDITION RECEIVE OR TRANSMIT MODE**



# PIC18F8722 FAMILY

## 19.4.14 SLEEP OPERATION

While in Sleep mode, the I<sup>2</sup>C module can receive addresses or data and when an address match or complete byte transfer occurs, wake the processor from Sleep (if the MSSP interrupt is enabled).

## 19.4.15 EFFECTS OF A RESET

A Reset disables the MSSP module and terminates the current transfer.

## 19.4.16 MULTI-MASTER MODE

In Multi-Master mode, the interrupt generation on the detection of the Start and Stop conditions allows the determination of when the bus is free. The Stop (P) and Start (S) bits are cleared from a Reset or when the MSSP module is disabled. Control of the I<sup>2</sup>C bus may be taken when the P bit (SSPxSTAT<4>) is set, or the bus is Idle, with both the S and P bits clear. When the bus is busy, enabling the MSSP interrupt will generate the interrupt when the Stop condition occurs.

In multi-master operation, the SDAx line must be monitored for arbitration to see if the signal level is the expected output level. This check is performed in hardware with the result placed in the BCLxIF bit.

The states where arbitration can be lost are:

- Address Transfer
- Data Transfer
- A Start Condition
- A Repeated Start Condition
- An Acknowledge Condition

## 19.4.17 MULTI-MASTER COMMUNICATION, BUS COLLISION AND BUS ARBITRATION

Multi-Master mode support is achieved by bus arbitration. When the master outputs address/data bits onto the SDAx pin, arbitration takes place when the master outputs a '1' on SDAx, by letting SDAx float high and another master asserts a '0'. When the SCLx pin floats high, data should be stable. If the expected data on SDAx is a '1' and the data sampled on the SDAx pin = 0, then a bus collision has taken place. The master will set the Bus Collision Interrupt Flag, BCLxIF and reset the I<sup>2</sup>C port to its Idle state (Figure 19-25).

If a transmit was in progress when the bus collision occurred, the transmission is halted, the BF flag is cleared, the SDAx and SCLx lines are deasserted and the SSPxBUF can be written to. When the user services the bus collision Interrupt Service Routine and if the I<sup>2</sup>C bus is free, the user can resume communication by asserting a Start condition.

If a Start, Repeated Start, Stop or Acknowledge condition was in progress when the bus collision occurred, the condition is aborted, the SDAx and SCLx lines are deasserted and the respective control bits in the SSPxCON2 register are cleared. When the user services the bus collision Interrupt Service Routine and if the I<sup>2</sup>C bus is free, the user can resume communication by asserting a Start condition.

The master will continue to monitor the SDAx and SCLx pins. If a Stop condition occurs, the SSPxIF bit will be set.

A write to the SSPxBUF will start the transmission of data at the first data bit regardless of where the transmitter left off when the bus collision occurred.

In Multi-Master mode, the interrupt generation on the detection of Start and Stop conditions allows the determination of when the bus is free. Control of the I<sup>2</sup>C bus can be taken when the P bit is set in the SSPxSTAT register, or the bus is Idle and the S and P bits are cleared.

**FIGURE 19-25: BUS COLLISION TIMING FOR TRANSMIT AND ACKNOWLEDGE**



## 19.4.17.1 Bus Collision During a Start Condition

During a Start condition, a bus collision occurs if:

- SDAx or SCLx are sampled low at the beginning of the Start condition (Figure 19-26).
- SCLx is sampled low before SDAx is asserted low (Figure 19-27).

During a Start condition, both the SDAx and the SCLx pins are monitored.

If the SDAx pin is already low, or the SCLx pin is already low, then all of the following occur:

- the Start condition is aborted,
- the BCLxIF flag is set and
- the MSSP module is reset to its inactive state (Figure 19-26).

The Start condition begins with the SDAx and SCLx pins deasserted. When the SDAx pin is sampled high, the Baud Rate Generator is loaded from SSPxADD<6:0> and counts down to '0'. If the SCLx pin is sampled low while SDAx is high, a bus collision occurs because it is assumed that another master is attempting to drive a data '1' during the Start condition.

If the SDAx pin is sampled low during this count, the BRG is reset and the SDAx line is asserted early (Figure 19-28). If, however, a '1' is sampled on the SDAx pin, the SDAx pin is asserted low at the end of the BRG count. The Baud Rate Generator is then reloaded and counts down to '0'. If the SCLx pin is sampled as '0' during this time, a bus collision does not occur. At the end of the BRG count, the SCLx pin is asserted low.

**Note:** The reason that bus collision is not a factor during a Start condition is that no two bus masters can assert a Start condition at the exact same time. Therefore, one master will always assert SDAx before the other. This condition does not cause a bus collision because the two masters must be allowed to arbitrate the first address following the Start condition. If the address is the same, arbitration must be allowed to continue into the data portion, Repeated Start or Stop conditions.

**FIGURE 19-26: BUS COLLISION DURING START CONDITION (SDAx ONLY)**



# PIC18F8722 FAMILY

**FIGURE 19-27: BUS COLLISION DURING START CONDITION (SCLx = 0)**



**FIGURE 19-28: BRG RESET DUE TO SDAx ARBITRATION DURING START CONDITION**



## 19.4.17.2 Bus Collision During a Repeated Start Condition

During a Repeated Start condition, a bus collision occurs if:

- A low level is sampled on SDAx when SCLx goes from low level to high level.
- SCLx goes low before SDAx is asserted low, indicating that another master is attempting to transmit a data '1'.

When the user deasserts SDAx and the pin is allowed to float high, the BRG is loaded with SSPxADD<6:0> and counts down to '0'. The SCLx pin is then deasserted and when sampled high, the SDAx pin is sampled.

If SDAx is low, a bus collision has occurred (i.e., another master is attempting to transmit a data '0', Figure 19-29). If SDAx is sampled high, the BRG is reloaded and begins counting. If SDAx goes from high-to-low before the BRG times out, no bus collision occurs because no two masters can assert SDAx at exactly the same time.

If SCLx goes from high-to-low before the BRG times out and SDAx has not already been asserted, a bus collision occurs. In this case, another master is attempting to transmit a data '1' during the Repeated Start condition (see Figure 19-30).

If, at the end of the BRG time-out, both SCLx and SDAx are still high, the SDAx pin is driven low and the BRG is reloaded and begins counting. At the end of the count, regardless of the status of the SCLx pin, the SCLx pin is driven low and the Repeated Start condition is complete.

**FIGURE 19-29: BUS COLLISION DURING A REPEATED START CONDITION (CASE 1)**



**FIGURE 19-30: BUS COLLISION DURING REPEATED START CONDITION (CASE 2)**



# PIC18F8722 FAMILY

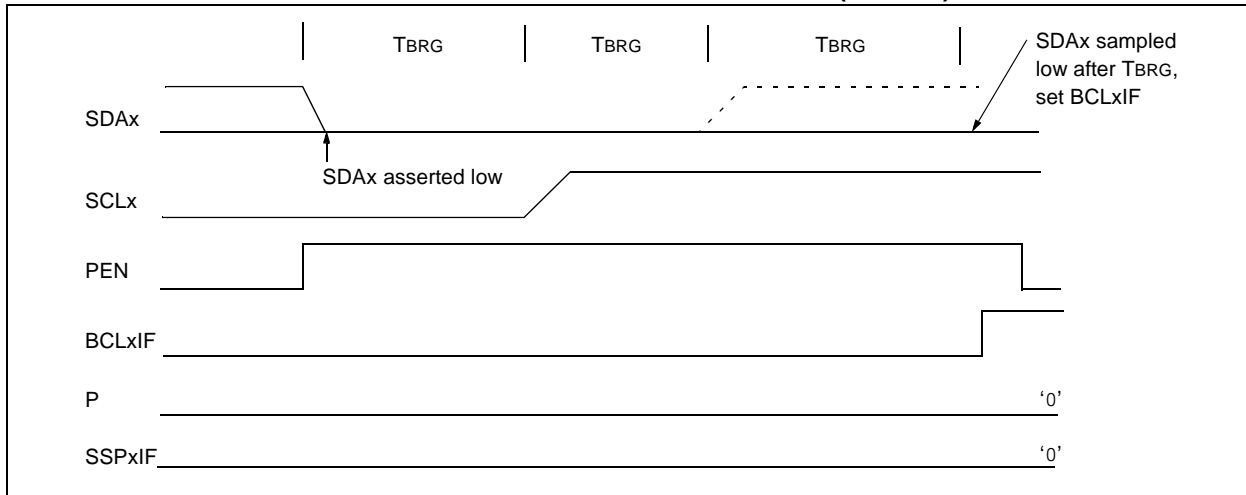
## 19.4.17.3 Bus Collision During a Stop Condition

Bus collision occurs during a Stop condition if:

- After the SDAx pin has been deasserted and allowed to float high, SDAx is sampled low after the BRG has timed out.
- After the SCLx pin is deasserted, SCLx is sampled low before SDAx goes high.

The Stop condition begins with SDAx asserted low. When SDAx is sampled low, the SCLx pin is allowed to float. When the pin is sampled high (clock arbitration), the Baud Rate Generator is loaded with SSPxADD<6:0> and counts down to '0'. After the BRG times out, SDAx is sampled. If SDAx is sampled low, a bus collision has occurred. This is due to another master attempting to drive a data '0' (Figure 19-31). If the SCLx pin is sampled low before SDAx is allowed to float high, a bus collision occurs. This is another case of another master attempting to drive a data '0' (Figure 19-32).

**FIGURE 19-31: BUS COLLISION DURING A STOP CONDITION (CASE 1)**



**FIGURE 19-32: BUS COLLISION DURING A STOP CONDITION (CASE 2)**



# PIC18F8722 FAMILY

**TABLE 19-4: REGISTERS ASSOCIATED WITH I<sup>2</sup>C™ OPERATION**

| Name     | Bit 7  | Bit 6     | Bit 5  | Bit 4  | Bit 3  | Bit 2  | Bit 1  | Bit 0  | Reset Values on page |
|----------|--|-----------|--------|--------|--------|--------|--------|--------|----------------------|
| INTCON   | GIE/GIEH   | PEIE/GIEL | TMR0IE | INT0IE | RBIE   | TMR0IF | INT0IF | RBIF   | 57                   |
| PIR1     | PSPIF  | ADIF      | RC1IF  | TX1IF  | SSP1IF | CCP1IF | TMR2IF | TMR1IF | 60                   |
| PIE1     | PSPIE  | ADIE      | RC1IE  | TX1IE  | SSP1IE | CCP1IE | TMR2IE | TMR1IE | 60                   |
| IPR1     | PSPIP  | ADIP      | RC1IP  | TX1IP  | SSP1IP | CCP1IP | TMR2IP | TMR1IP | 60                   |
| PIR2     | OSCFIF   | CMIF      | —      | EEIF   | BCL1IF | HLVDIF | TMR3IF | CCP2IF | 60                   |
| PIE2     | OSCFIE   | CMIE      | —      | EEIE   | BCL1IE | HLVDIE | TMR3IE | CCP2IE | 60                   |
| IPR2     | OSCFIP   | CMIP      | —      | EEIP   | BCL1IP | HLVDIP | TMR3IP | CCP2IP | 60                   |
| PIR3     | SSP2IF   | BCL2IF    | RC2IF  | TX2IF  | TMR4IF | CCP5IF | CCP4IF | CCP3IF | 60                   |
| PIE3     | SSP2IE   | BCL2IE    | RC2IE  | TX2IE  | TMR4IE | CCP5IE | CCP4IE | CCP3IE | 60                   |
| IPR3     | SSP2IP   | BCL2IP    | RC2IP  | TX2IP  | TMR4IP | CCP5IP | CCP4IP | CCP3IP | 60                   |
| TRISC    | TRISC7   | TRISC6    | TRISC5 | TRISC4 | TRISC3 | TRISC2 | TRISC1 | TRISC0 | 60                   |
| TRISD    | TRISD7   | TRISD6    | TRISD5 | TRISD4 | TRISD3 | TRISD2 | TRISD1 | TRISD0 | 60                   |
| SSP1BUF  | MSSP1 Receive Buffer/Transmit Register   |           |        |        |        |        |        |        | 58                   |
| SSP2BUF  | MSSP2 Receive Buffer/Transmit Register   |           |        |        |        |        |        |        | 61                   |
| SSP1ADD  | MSSP1 Address Register in I <sup>2</sup> C™ Slave mode. MSSP1 Baud Rate Reload Register in I <sup>2</sup> C Master mode. |           |        |        |        |        |        |        | 58                   |
| SSP2ADD  | MSSP2 Address Register in I <sup>2</sup> C Slave mode. MSSP2 Baud Rate Reload Register in I <sup>2</sup> C Master mode.  |           |        |        |        |        |        |        | 61                   |
| TMR2     | Timer2 Register  |           |        |        |        |        |        |        | 58                   |
| PR2      | Timer2 Period Register   |           |        |        |        |        |        |        | 58                   |
| SSP1CON1 | WCOL   | SSPOV     | SSPEN  | CKP    | SSPM3  | SSPM2  | SSPM1  | SSPM0  | 58                   |
| SSP1CON2 | GCEN   | ACKSTAT   | ACKDT  | ACKEN  | RCEN   | PEN    | RSEN   | SEN    | 58                   |
| SSP1STAT | SMP  | CKE       | D/Ā    | P      | S      | R/W    | UA     | BF     | 58                   |
| SSP2CON1 | WCOL   | SSPOV     | SSPEN  | CKP    | SSPM3  | SSPM2  | SSPM1  | SSPM0  | 61                   |
| SSP2CON2 | GCEN   | ACKSTAT   | ACKDT  | ACKEN  | RCEN   | PEN    | RSEN   | SEN    | 61                   |
| SSP2STAT | SMP  | CKE       | D/Ā    | P      | S      | R/W    | UA     | BF     | 61                   |

**Legend:** — = unimplemented, read as '0'. Shaded cells are not used by the MSSP module in I<sup>2</sup>C mode.

# PIC18F8722 FAMILY

---

NOTES:



## 20.0 ENHANCED UNIVERSAL SYNCHRONOUS RECEIVER TRANSMITTER (EUSART)

The Enhanced Universal Synchronous Asynchronous Receiver Transmitter (EUSART) module is one of two serial I/O modules. (Generically, the USART is also known as a Serial Communications Interface or SCI.) The EUSART can be configured as a full-duplex asynchronous system that can communicate with peripheral devices, such as CRT terminals and personal computers. It can also be configured as a half-duplex synchronous system that can communicate with peripheral devices, such as A/D or D/A integrated circuits, serial EEPROMs, etc.

The Enhanced USART module implements additional features, including automatic baud rate detection and calibration, automatic wake-up on Sync Break reception and 12-bit Break Character transmit. These make it ideally suited for use in Local Interconnect Network bus (LIN bus) systems.

The EUSART can be configured in the following modes:

- Asynchronous (full duplex) with:
  - Auto-Wake-up on Character Reception
  - Auto-Baud Calibration
  - 12-bit Break Character Transmission
- Synchronous – Master (half duplex) with Selectable Clock Polarity
- Synchronous – Slave (half duplex) with Selectable Clock Polarity

The pins of EUSART1 and EUSART2 are multiplexed with the functions of PORTC (RC6/TX1/CK1 and RC7/RX1/DT1) and PORTG (RG1/TX2/CK2 and RG2/RX2/DT2), respectively. In order to configure these pins as an EUSART:

- For EUSART1:
  - bit SPEN (RCSTA1<7>) must be set (= 1)
  - bit TRISC<7> must be set (= 1)
  - bit TRISC<6> must be cleared (= 0) for Asynchronous and Synchronous Master modes
  - bit TRISC<6> must be set (= 1) for Synchronous Slave mode
- For EUSART2:
  - bit SPEN (RCSTA2<7>) must be set (= 1)
  - bit TRISG<2> must be set (= 1)
  - bit TRISG<1> must be cleared (= 0) for Asynchronous and Synchronous Master modes
  - bit TRISC<6> must be set (= 1) for Synchronous Slave mode

**Note:** The EUSART control will automatically reconfigure the pin from input to output as needed.

The operation of each Enhanced USART module is controlled through three registers:

- Transmit Status and Control (TXSTAx)
- Receive Status and Control (RCSTAx)
- Baud Rate Control (BAUDCONx)

These are detailed on the following pages in Register 20-1, Register 20-2 and Register 20-3, respectively.

**Note:** Throughout this section, references to register and bit names that may be associated with a specific EUSART module are referred to generically by the use of 'x' in place of the specific module number. Thus, "RCSTAx" might refer to the Receive Status register for either EUSART1 or EUSART2

# PIC18F8722 FAMILY

## REGISTER 20-1: TXSTAx: TRANSMIT STATUS AND CONTROL REGISTER

|       |       |       |       |       |       |       |       |
|-------|-------|-------|-------|-------|-------|-------|-------|
| R/W-0 | R/W-0 | R/W-0 | R/W-0 | R/W-0 | R/W-0 | R-1   | R/W-0 |
| CSRC  | TX9   | TXEN  | SYNC  | SENDB | BRGH  | TRMT  | TX9D  |
| bit 7 |       |       |       |       |       | bit 0 |       |

### Legend:

|                   |                  |                                    |
|-------------------|------------------|------------------------------------|
| R = Readable bit  | W = Writable bit | U = Unimplemented bit, read as '0' |
| -n = Value at POR | '1' = Bit is set | '0' = Bit is cleared               |
|                   |                  | x = Bit is unknown                 |

- bit 7      **CSRC:** Clock Source Select bit  
Asynchronous mode:  
 Don't care.  
Synchronous mode:  
 1 = Master mode (clock generated internally from BRG)  
 0 = Slave mode (clock from external source)
- bit 6      **TX9:** 9-bit Transmit Enable bit  
 1 = Selects 9-bit transmission  
 0 = Selects 8-bit transmission
- bit 5      **TXEN:** Transmit Enable bit  
 1 = Transmit enabled  
 0 = Transmit disabled  
**Note:** SREN/CREN overrides TXEN in Sync mode.
- bit 4      **SYNC:** EUSART Mode Select bit  
 1 = Synchronous mode  
 0 = Asynchronous mode
- bit 3      **SENDB:** Send Break Character bit  
Asynchronous mode:  
 1 = Send Sync Break on next transmission (cleared by hardware upon completion)  
 0 = Sync Break transmission completed  
Synchronous mode:  
 Don't care.
- bit 2      **BRGH:** High Baud Rate Select bit  
Asynchronous mode:  
 1 = High speed  
 0 = Low speed  
Synchronous mode:  
 Unused in this mode.
- bit 1      **TRMT:** Transmit Shift Register Status bit  
 1 = TSRx empty  
 0 = TSRx full
- bit 0      **TX9D:** Ninth bit of Transmit Data  
 Can be address/data bit or a parity bit.

# PIC18F8722 FAMILY

## REGISTER 20-2: RCSTAx: RECEIVE STATUS AND CONTROL REGISTER

| R/W-0 | R/W-0 | R/W-0 | R/W-0 | R/W-0 | R-0  | R-0  | R-x   |
|-------|-------|-------|-------|-------|------|------|-------|
| SPEN  | RX9   | SREN  | CREN  | ADDEN | FERR | OERR | RX9D  |
| bit 7 |       |       |       |       |      |      | bit 0 |

### Legend:

|                   |                  |                                    |
|-------------------|------------------|------------------------------------|
| R = Readable bit  | W = Writable bit | U = Unimplemented bit, read as '0' |
| -n = Value at POR | '1' = Bit is set | '0' = Bit is cleared               |
|                   |                  | x = Bit is unknown                 |

- bit 7      **SPEN:** Serial Port Enable bit  
 1 = Serial port enabled (configures RXx/DTx and TXx/CKx pins as serial port pins)  
 0 = Serial port disabled (held in Reset)
- bit 6      **RX9:** 9-bit Receive Enable bit  
 1 = Selects 9-bit reception  
 0 = Selects 8-bit reception
- bit 5      **SREN:** Single Receive Enable bit  
Asynchronous mode:  
 Don't care.  
Synchronous mode – Master:  
 1 = Enables single receive  
 0 = Disables single receive  
 This bit is cleared after reception is complete.  
Synchronous mode – Slave:  
 Don't care.
- bit 4      **CREN:** Continuous Receive Enable bit  
Asynchronous mode:  
 1 = Enables receiver  
 0 = Disables receiver  
Synchronous mode:  
 1 = Enables continuous receive until enable bit CREN is cleared (CREN overrides SREN)  
 0 = Disables continuous receive
- bit 3      **ADDEN:** Address Detect Enable bit  
Asynchronous mode 9-bit (RX9 = 1):  
 1 = Enables address detection, enables interrupt and loads the receive buffer when RSRx<8> is set  
 0 = Disables address detection, all bytes are received and ninth bit can be used as parity bit  
Asynchronous mode 9-bit (RX9 = 0):  
 Don't care.
- bit 2      **FERR:** Framing Error bit  
 1 = Framing error (can be updated by reading RCREGx register and receiving next valid byte)  
 0 = No framing error
- bit 1      **OERR:** Overrun Error bit  
 1 = Overrun error (can be cleared by clearing bit CREN)  
 0 = No overrun error
- bit 0      **RX9D:** 9th bit of Received Data  
 This can be address/data bit or a parity bit and must be calculated by user firmware.

# PIC18F8722 FAMILY

## REGISTER 20-3: BAUDCONx: BAUD RATE CONTROL REGISTER

|        |       |     |       |       |     |       |       |
|--------|-------|-----|-------|-------|-----|-------|-------|
| R/W-0  | R-1   | U-0 | R/W-0 | R/W-0 | U-0 | R/W-0 | R/W-0 |
| ABDOVF | RCIDL | —   | SCKP  | BRG16 | —   | WUE   | ABDEN |
| bit 7  |       |     |       |       |     |       | bit 0 |

### Legend:

|                   |                  |                                    |
|-------------------|------------------|------------------------------------|
| R = Readable bit  | W = Writable bit | U = Unimplemented bit, read as '0' |
| -n = Value at POR | '1' = Bit is set | '0' = Bit is cleared               |
|                   |                  | x = Bit is unknown                 |

- bit 7      **ABDOVF:** Auto-Baud Acquisition Rollover Status bit  
 1 = A BRG rollover has occurred during Auto-Baud Rate Detect mode (must be cleared in software)  
 0 = No BRG rollover has occurred
- bit 6      **RCIDL:** Receive Operation Idle Status bit  
 1 = Receive operation is inactive  
 0 = Receive operation is active
- bit 5      **Unimplemented:** Read as '0'
- bit 4      **SCKP:** Synchronous Clock Polarity Select bit  
Asynchronous mode:  
 Unused in this mode.  
Synchronous mode:  
 1 = Idle state for clock (CKx) is a high level  
 0 = Idle state for clock (CKx) is a low level
- bit 3      **BRG16:** 16-bit Baud Rate Register Enable bit  
 1 = 16-bit Baud Rate Generator – SPBRGHx and SPBRGx  
 0 = 8-bit Baud Rate Generator – SPBRGx only (Compatible mode), SPBRGHx value ignored
- bit 2      **Unimplemented:** Read as '0'
- bit 1      **WUE:** Wake-up Enable bit  
Asynchronous mode:  
 1 = EUSART will continue to sample the RXx pin – interrupt generated on falling edge; bit cleared in hardware on following rising edge  
 0 = RXx pin not monitored or rising edge detected  
Synchronous mode:  
 Unused in this mode.
- bit 0      **ABDEN:** Auto-Baud Detect Enable bit  
Asynchronous mode:  
 1 = Enable baud rate measurement on the next character. Requires reception of a Sync field (55h); cleared in hardware upon completion.  
 0 = Baud rate measurement disabled or completed  
Synchronous mode:  
 Unused in this mode.

## 20.1 Baud Rate Generator (BRG)

The BRG is a dedicated 8-bit or 16-bit generator that supports both the Asynchronous and Synchronous modes of the EUSART. By default, the BRG operates in 8-bit mode; setting the BRG16 bit (BAUDCONx<3>) selects 16-bit mode.

The SPBRGHx:SPBRGx register pair controls the period of a free running timer. In Asynchronous mode, bits BRGH (TXSTAx<2>) and BRG16 (BAUDCONx<3>) also control the baud rate. In Synchronous mode, BRGH is ignored. Table 20-1 shows the formula for computation of the baud rate for different EUSART modes which only apply in Master mode (internally generated clock).

Given the desired baud rate and FOSC, the nearest integer value for the SPBRGHx:SPBRGx registers can be calculated using the formulas in Table 20-1. From this, the error in baud rate can be determined. An example calculation is shown in Example 20-1. Typical baud rates and error values for the various Asynchronous modes are shown in Table 20-2. It may be

advantageous to use the high baud rate (BRGH = 1) or the 16-bit BRG to reduce the baud rate error, or achieve a slow baud rate for a fast oscillator frequency.

Writing a new value to the SPBRGHx:SPBRGx registers causes the BRG timer to be reset (or cleared). This ensures the BRG does not wait for a timer overflow before outputting the new baud rate.

### 20.1.1 OPERATION IN POWER-MANAGED MODES

The device clock is used to generate the desired baud rate. When one of the power-managed modes is entered, the new clock source may be operating at a different frequency. This may require an adjustment to the value in the SPBRGx register pair.

### 20.1.2 SAMPLING

The data on the RXx pin (either RC7/RX1/DT1 or RG2/RX2/DT2) is sampled three times by a majority detect circuit to determine if a high or a low level is present at the RXx pin.

**TABLE 20-1: BAUD RATE FORMULAS**

| Configuration Bits |       |      | BRG/EUSART Mode     | Baud Rate Formula      |
|--------------------|-------|------|---------------------|------------------------|
| SYNC               | BRG16 | BRGH |                     |                        |
| 0                  | 0     | 0    | 8-bit/Asynchronous  | $F_{OSC}/[64 (n + 1)]$ |
| 0                  | 0     | 1    | 8-bit/Asynchronous  | $F_{OSC}/[16 (n + 1)]$ |
| 0                  | 1     | 0    | 16-bit/Asynchronous |                        |
| 0                  | 1     | 1    | 16-bit/Asynchronous | $F_{OSC}/[4 (n + 1)]$  |
| 1                  | 0     | x    | 8-bit/Synchronous   |                        |
| 1                  | 1     | x    | 16-bit/Synchronous  |                        |

**Legend:** x = Don't care, n = value of SPBRGHx:SPBRGx register pair

# PIC18F8722 FAMILY

## EXAMPLE 20-1: CALCULATING BAUD RATE ERROR

For a device with FOSC of 16 MHz, desired baud rate of 9600, Asynchronous mode, 8-bit BRG:

$$\text{Desired Baud Rate} = \text{FOSC}/(64 ([\text{SPBRGHx}:\text{SPBRGx}] + 1))$$

Solving for SPBRGHx:SPBRGx:

$$X = ((\text{FOSC}/\text{Desired Baud Rate})/64) - 1$$

$$= ((16000000/9600)/64) - 1$$

$$= [25.042] = 25$$

$$\text{Calculated Baud Rate} = 16000000/(64 (25 + 1))$$

$$= 9615$$

$$\text{Error} = (\text{Calculated Baud Rate} - \text{Desired Baud Rate})/\text{Desired Baud Rate}$$

$$= (9615 - 9600)/9600 = 0.16\%$$

TABLE 20-2: REGISTERS ASSOCIATED WITH BAUD RATE GENERATOR

| Name     | Bit 7  | Bit 6 | Bit 5 | Bit 4 | Bit 3 | Bit 2 | Bit 1 | Bit 0 | Reset Values on page |
|----------|--|-------|-------|-------|-------|-------|-------|-------|----------------------|
| TXSTAx   | CSRC   | TX9   | TXEN  | SYNC  | SENDB | BRGH  | TRMT  | TX9D  | 59                   |
| RCSTAx   | SPEN   | RX9   | SREN  | CREN  | ADDEN | FERR  | OERR  | RX9D  | 59                   |
| BAUDCONx | ABDOVF   | RCIDL | —     | SCKP  | BRG16 | —     | WUE   | ABDEN | 61                   |
| SPBRGHx  | EUSARTx Baud Rate Generator Register High Byte |       |       |       |       |       |       |       | 59                   |
| SPBRGx   | EUSARTx Baud Rate Generator Register Low Byte  |       |       |       |       |       |       |       | 59                   |

**Legend:** — = unimplemented, read as '0'. Shaded cells are not used by the BRG.

# PIC18F8722 FAMILY

**TABLE 20-3: BAUD RATES FOR ASYNCHRONOUS MODES**

| BAUD RATE (K) | SYNC = 0, BRGH = 0, BRG16 = 0 |         |                       |                   |         |                       |                   |         |                       |                  |         |                       |
|---------------|-------------------------------|---------|-----------------------|-------------------|---------|-----------------------|-------------------|---------|-----------------------|------------------|---------|-----------------------|
|               | Fosc = 40.000 MHz             |         |                       | Fosc = 20.000 MHz |         |                       | Fosc = 10.000 MHz |         |                       | Fosc = 8.000 MHz |         |                       |
|               | Actual Rate (K)               | % Error | SPBRG value (decimal) | Actual Rate (K)   | % Error | SPBRG value (decimal) | Actual Rate (K)   | % Error | SPBRG value (decimal) | Actual Rate (K)  | % Error | SPBRG value (decimal) |
| 0.3           | —                             | —       | —                     | —                 | —       | —                     | —                 | —       | —                     | —                | —       | —                     |
| 1.2           | —                             | —       | —                     | 1.221             | 1.73    | 255                   | 1.202             | 0.16    | 129                   | 1.201            | -0.16   | 103                   |
| 2.4           | 2.441                         | 1.73    | 255                   | 2.404             | 0.16    | 129                   | 2.404             | 0.16    | 64                    | 2.403            | -0.16   | 51                    |
| 9.6           | 9.615                         | 0.16    | 64                    | 9.766             | 1.73    | 31                    | 9.766             | 1.73    | 15                    | 9.615            | -0.16   | 12                    |
| 19.2          | 19.531                        | 1.73    | 31                    | 19.531            | 1.73    | 15                    | 19.531            | 1.73    | 7                     | —                | —       | —                     |
| 57.6          | 56.818                        | -1.36   | 10                    | 62.500            | 8.51    | 4                     | 52.083            | -9.58   | 2                     | —                | —       | —                     |
| 115.2         | 125.000                       | 8.51    | 4                     | 104.167           | -9.58   | 2                     | 78.125            | -32.18  | 1                     | —                | —       | —                     |

| BAUD RATE (K) | SYNC = 0, BRGH = 0, BRG16 = 0 |         |                       |                  |         |                       |                  |         |                       |
|---------------|-------------------------------|---------|-----------------------|------------------|---------|-----------------------|------------------|---------|-----------------------|
|               | Fosc = 4.000 MHz              |         |                       | Fosc = 2.000 MHz |         |                       | Fosc = 1.000 MHz |         |                       |
|               | Actual Rate (K)               | % Error | SPBRG value (decimal) | Actual Rate (K)  | % Error | SPBRG value (decimal) | Actual Rate (K)  | % Error | SPBRG value (decimal) |
| 0.3           | 0.300                         | 0.16    | 207                   | 0.300            | -0.16   | 103                   | 0.300            | -0.16   | 51                    |
| 1.2           | 1.202                         | 0.16    | 51                    | 1.201            | -0.16   | 25                    | 1.201            | -0.16   | 12                    |
| 2.4           | 2.404                         | 0.16    | 25                    | 2.403            | -0.16   | 12                    | —                | —       | —                     |
| 9.6           | 8.929                         | -6.99   | 6                     | —                | —       | —                     | —                | —       | —                     |
| 19.2          | 20.833                        | 8.51    | 2                     | —                | —       | —                     | —                | —       | —                     |
| 57.6          | 62.500                        | 8.51    | 0                     | —                | —       | —                     | —                | —       | —                     |
| 115.2         | 62.500                        | -45.75  | 0                     | —                | —       | —                     | —                | —       | —                     |

| BAUD RATE (K) | SYNC = 0, BRGH = 1, BRG16 = 0 |         |                       |                   |         |                       |                   |         |                       |                  |         |                       |
|---------------|-------------------------------|---------|-----------------------|-------------------|---------|-----------------------|-------------------|---------|-----------------------|------------------|---------|-----------------------|
|               | Fosc = 40.000 MHz             |         |                       | Fosc = 20.000 MHz |         |                       | Fosc = 10.000 MHz |         |                       | Fosc = 8.000 MHz |         |                       |
|               | Actual Rate (K)               | % Error | SPBRG value (decimal) | Actual Rate (K)   | % Error | SPBRG value (decimal) | Actual Rate (K)   | % Error | SPBRG value (decimal) | Actual Rate (K)  | % Error | SPBRG value (decimal) |
| 0.3           | —                             | —       | —                     | —                 | —       | —                     | —                 | —       | —                     | —                | —       | —                     |
| 1.2           | —                             | —       | —                     | —                 | —       | —                     | —                 | —       | —                     | —                | —       | —                     |
| 2.4           | —                             | —       | —                     | —                 | —       | —                     | 2.441             | 1.73    | 255                   | 2.403            | -0.16   | 207                   |
| 9.6           | 9.766                         | 1.73    | 255                   | 9.615             | 0.16    | 129                   | 9.615             | 0.16    | 64                    | 9.615            | -0.16   | 51                    |
| 19.2          | 19.231                        | 0.16    | 129                   | 19.231            | 0.16    | 64                    | 19.531            | 1.73    | 31                    | 19.230           | -0.16   | 25                    |
| 57.6          | 58.140                        | 0.94    | 42                    | 56.818            | -1.36   | 21                    | 56.818            | -1.36   | 10                    | 55.555           | 3.55    | 8                     |
| 115.2         | 113.636                       | -1.36   | 21                    | 113.636           | -1.36   | 10                    | 125.000           | 8.51    | 4                     | —                | —       | —                     |

| BAUD RATE (K) | SYNC = 0, BRGH = 1, BRG16 = 0 |         |                       |                  |         |                       |                  |         |                       |
|---------------|-------------------------------|---------|-----------------------|------------------|---------|-----------------------|------------------|---------|-----------------------|
|               | Fosc = 4.000 MHz              |         |                       | Fosc = 2.000 MHz |         |                       | Fosc = 1.000 MHz |         |                       |
|               | Actual Rate (K)               | % Error | SPBRG value (decimal) | Actual Rate (K)  | % Error | SPBRG value (decimal) | Actual Rate (K)  | % Error | SPBRG value (decimal) |
| 0.3           | —                             | —       | —                     | —                | —       | —                     | 0.300            | -0.16   | 207                   |
| 1.2           | 1.202                         | 0.16    | 207                   | 1.201            | -0.16   | 103                   | 1.201            | -0.16   | 51                    |
| 2.4           | 2.404                         | 0.16    | 103                   | 2.403            | -0.16   | 51                    | 2.403            | -0.16   | 25                    |
| 9.6           | 9.615                         | 0.16    | 25                    | 9.615            | -0.16   | 12                    | —                | —       | —                     |
| 19.2          | 19.231                        | 0.16    | 12                    | —                | —       | —                     | —                | —       | —                     |
| 57.6          | 62.500                        | 8.51    | 3                     | —                | —       | —                     | —                | —       | —                     |
| 115.2         | 125.000                       | 8.51    | 1                     | —                | —       | —                     | —                | —       | —                     |

# PIC18F8722 FAMILY

**TABLE 20-3: BAUD RATES FOR ASYNCHRONOUS MODES (CONTINUED)**

| BAUD RATE (K) | SYNC = 0, BRGH = 0, BRG16 = 1 |         |                       |                   |         |                       |                   |         |                       |                  |         |                       |
|---------------|-------------------------------|---------|-----------------------|-------------------|---------|-----------------------|-------------------|---------|-----------------------|------------------|---------|-----------------------|
|               | Fosc = 40.000 MHz             |         |                       | Fosc = 20.000 MHz |         |                       | Fosc = 10.000 MHz |         |                       | Fosc = 8.000 MHz |         |                       |
|               | Actual Rate (K)               | % Error | SPBRG value (decimal) | Actual Rate (K)   | % Error | SPBRG value (decimal) | Actual Rate (K)   | % Error | SPBRG value (decimal) | Actual Rate (K)  | % Error | SPBRG value (decimal) |
| 0.3           | 0.300                         | 0.00    | 8332                  | 0.300             | 0.02    | 4165                  | 0.300             | 0.02    | 2082                  | 0.300            | -0.04   | 1665                  |
| 1.2           | 1.200                         | 0.02    | 2082                  | 1.200             | -0.03   | 1041                  | 1.200             | -0.03   | 520                   | 1.201            | -0.16   | 415                   |
| 2.4           | 2.402                         | 0.06    | 1040                  | 2.399             | -0.03   | 520                   | 2.404             | 0.16    | 259                   | 2.403            | -0.16   | 207                   |
| 9.6           | 9.615                         | 0.16    | 259                   | 9.615             | 0.16    | 129                   | 9.615             | 0.16    | 64                    | 9.615            | -0.16   | 51                    |
| 19.2          | 19.231                        | 0.16    | 129                   | 19.231            | 0.16    | 64                    | 19.531            | 1.73    | 31                    | 19.230           | -0.16   | 25                    |
| 57.6          | 58.140                        | 0.94    | 42                    | 56.818            | -1.36   | 21                    | 56.818            | -1.36   | 10                    | 55.555           | 3.55    | 8                     |
| 115.2         | 113.636                       | -1.36   | 21                    | 113.636           | -1.36   | 10                    | 125.000           | 8.51    | 4                     | —                | —       | —                     |

| BAUD RATE (K) | SYNC = 0, BRGH = 0, BRG16 = 1 |         |                       |                  |         |                       |                  |         |                       |
|---------------|-------------------------------|---------|-----------------------|------------------|---------|-----------------------|------------------|---------|-----------------------|
|               | Fosc = 4.000 MHz              |         |                       | Fosc = 2.000 MHz |         |                       | Fosc = 1.000 MHz |         |                       |
|               | Actual Rate (K)               | % Error | SPBRG value (decimal) | Actual Rate (K)  | % Error | SPBRG value (decimal) | Actual Rate (K)  | % Error | SPBRG value (decimal) |
| 0.3           | 0.300                         | 0.04    | 832                   | 0.300            | -0.16   | 415                   | 0.300            | -0.16   | 207                   |
| 1.2           | 1.202                         | 0.16    | 207                   | 1.201            | -0.16   | 103                   | 1.201            | -0.16   | 51                    |
| 2.4           | 2.404                         | 0.16    | 103                   | 2.403            | -0.16   | 51                    | 2.403            | -0.16   | 25                    |
| 9.6           | 9.615                         | 0.16    | 25                    | 9.615            | -0.16   | 12                    | —                | —       | —                     |
| 19.2          | 19.231                        | 0.16    | 12                    | —                | —       | —                     | —                | —       | —                     |
| 57.6          | 62.500                        | 8.51    | 3                     | —                | —       | —                     | —                | —       | —                     |
| 115.2         | 125.000                       | 8.51    | 1                     | —                | —       | —                     | —                | —       | —                     |

| BAUD RATE (K) | SYNC = 0, BRGH = 1, BRG16 = 1 or SYNC = 1, BRG16 = 1 |         |                       |                   |         |                       |                   |         |                       |                  |         |                       |
|---------------|--|---------|-----------------------|-------------------|---------|-----------------------|-------------------|---------|-----------------------|------------------|---------|-----------------------|
|               | Fosc = 40.000 MHz                                    |         |                       | Fosc = 20.000 MHz |         |                       | Fosc = 10.000 MHz |         |                       | Fosc = 8.000 MHz |         |                       |
|               | Actual Rate (K)                                      | % Error | SPBRG value (decimal) | Actual Rate (K)   | % Error | SPBRG value (decimal) | Actual Rate (K)   | % Error | SPBRG value (decimal) | Actual Rate (K)  | % Error | SPBRG value (decimal) |
| 0.3           | 0.300  | 0.00    | 33332                 | 0.300             | 0.00    | 16665                 | 0.300             | 0.00    | 8332                  | 0.300            | -0.01   | 6665                  |
| 1.2           | 1.200  | 0.00    | 8332                  | 1.200             | 0.02    | 4165                  | 1.200             | 0.02    | 2082                  | 1.200            | -0.04   | 1665                  |
| 2.4           | 2.400  | 0.02    | 4165                  | 2.400             | 0.02    | 2082                  | 2.402             | 0.06    | 1040                  | 2.400            | -0.04   | 832                   |
| 9.6           | 9.606  | 0.06    | 1040                  | 9.596             | -0.03   | 520                   | 9.615             | 0.16    | 259                   | 9.615            | -0.16   | 207                   |
| 19.2          | 19.193   | -0.03   | 520                   | 19.231            | 0.16    | 259                   | 19.231            | 0.16    | 129                   | 19.230           | -0.16   | 103                   |
| 57.6          | 57.803   | 0.35    | 172                   | 57.471            | -0.22   | 86                    | 58.140            | 0.94    | 42                    | 57.142           | 0.79    | 34                    |
| 115.2         | 114.943  | -0.22   | 86                    | 116.279           | 0.94    | 42                    | 113.636           | -1.36   | 21                    | 11.7647          | -2.12   | 16                    |

| BAUD RATE (K) | SYNC = 0, BRGH = 1, BRG16 = 1 or SYNC = 1, BRG16 = 1 |         |                       |                  |         |                       |                  |         |                       |
|---------------|--|---------|-----------------------|------------------|---------|-----------------------|------------------|---------|-----------------------|
|               | Fosc = 4.000 MHz                                     |         |                       | Fosc = 2.000 MHz |         |                       | Fosc = 1.000 MHz |         |                       |
|               | Actual Rate (K)                                      | % Error | SPBRG value (decimal) | Actual Rate (K)  | % Error | SPBRG value (decimal) | Actual Rate (K)  | % Error | SPBRG value (decimal) |
| 0.3           | 0.300  | 0.01    | 3332                  | 0.300            | -0.04   | 1665                  | 0.300            | -0.04   | 832                   |
| 1.2           | 1.200  | 0.04    | 832                   | 1.201            | -0.16   | 415                   | 1.201            | -0.16   | 207                   |
| 2.4           | 2.404  | 0.16    | 415                   | 2.403            | -0.16   | 207                   | 2.403            | -0.16   | 103                   |
| 9.6           | 9.615  | 0.16    | 103                   | 9.615            | -0.16   | 51                    | 9.615            | -0.16   | 25                    |
| 19.2          | 19.231   | 0.16    | 51                    | 19.230           | -0.16   | 25                    | 19.230           | -0.16   | 12                    |
| 57.6          | 58.824   | 2.12    | 16                    | 55.555           | 3.55    | 8                     | —                | —       | —                     |
| 115.2         | 111.111  | -3.55   | 8                     | —                | —       | —                     | —                | —       | —                     |



## 20.1.3 AUTO-BAUD RATE DETECT

The Enhanced USART module supports the automatic detection and calibration of baud rate. This feature is active only in Asynchronous mode and while the WUE bit is clear.

The automatic baud rate measurement sequence (Figure 20-1) begins whenever a Start bit is received and the ABDEN bit is set. The calculation is self-averaging.

In the Auto-Baud Rate Detect (ABD) mode, the clock to the BRG is reversed. Rather than the BRG clocking the incoming RXx signal, the RXx signal is timing the BRG. In ABD mode, the internal Baud Rate Generator is used as a counter to time the bit period of the incoming serial byte stream.

Once the ABDEN bit is set, the state machine will clear the BRG and look for a Start bit. The Auto-Baud Rate Detect must receive a byte with the value 55h (ASCII "U", which is also the LIN bus Sync character) in order to calculate the proper bit rate. The measurement is taken over both a low and a high bit time in order to minimize any effects caused by asymmetry of the incoming signal. After a Start bit, the SPBRGx begins counting up, using the preselected clock source on the first rising edge of RXx. After eight bits on the RXx pin or the fifth rising edge, an accumulated value totalling the proper BRG period is left in the SPBRGHx:SPBRGx register pair. Once the 5th edge is seen (this should correspond to the Stop bit), the ABDEN bit is automatically cleared.

If a rollover of the BRG occurs (an overflow from FFFFh to 0000h), the event is trapped by the ABDOVF status bit (BAUDCONx<7>). It is set in hardware by BRG rollovers and can be set or cleared by the user in software. ABD mode remains active after rollover events and the ABDEN bit remains set (Figure 20-2).

While calibrating the baud rate period, the BRG registers are clocked at 1/8th the preconfigured clock rate. Note that the BRG clock will be configured by the BRG16 and BRGH bits. Independent of the BRG16 bit setting, both the SPBRGx and SPBRGHx will be used as a 16-bit counter. This allows the user to verify that no carry occurred for 8-bit modes by checking for 00h in the SPBRGHx register. Refer to Table 20-4 for counter clock rates to the BRG.

While the ABD sequence takes place, the EUSART state machine is held in Idle. The RCxIF interrupt is set once the fifth rising edge on RXx is detected. The value in the RCREGx needs to be read to clear the RCxIF interrupt. The contents of RCREGx should be discarded.

**Note 1:** If the WUE bit is set with the ABDEN bit, Auto-Baud Rate Detection will occur on the byte *following* the Break character.

**2:** It is up to the user to determine that the incoming character baud rate is within the range of the selected BRG clock source. Some combinations of oscillator frequency and EUSART baud rates are not possible due to bit error rates. Overall system timing and communication baud rates must be taken into consideration when using the Auto-Baud Rate Detection feature.

**TABLE 20-4: BRG COUNTER CLOCK RATES**

| BRG16 | BRGH | BRG Counter Clock |
|-------|------|-------------------|
| 0     | 0    | Fosc/512          |
| 0     | 1    | Fosc/128          |
| 1     | 0    | Fosc/128          |
| 1     | 1    | Fosc/32           |

**Note:** During the ABD sequence, SPBRGx and SPBRGHx are both used as a 16-bit counter, independent of BRG16 setting.

### 20.1.3.1 ABD and EUSART Transmission

Since the BRG clock is reversed during ABD acquisition, the EUSART transmitter cannot be used during ABD. This means that whenever the ABDEN bit is set, TXREGx cannot be written to. Users should also ensure that ABDEN does not become set during a transmit sequence. Failing to do this may result in unpredictable EUSART operation.

# PIC18F8722 FAMILY

**FIGURE 20-1: AUTOMATIC BAUD RATE CALCULATION**



**FIGURE 20-2: BRG OVERFLOW SEQUENCE**



## 20.2 EUSART Asynchronous Mode

The Asynchronous mode of operation is selected by clearing the SYNC bit (TXSTAx<4>). In this mode, the EUSART uses standard Non-Return-to-Zero (NRZ) format (one Start bit, eight or nine data bits and one Stop bit). The most common data format is 8 bits. An on-chip dedicated 8-bit/16-bit Baud Rate Generator can be used to derive standard baud rate frequencies from the oscillator.

The EUSART transmits and receives the LSb first. The EUSART's transmitter and receiver are functionally independent, but use the same data format and baud rate. The Baud Rate Generator produces a clock, either x16 or x64 of the bit shift rate depending on the BRGH and BRG16 bits (TXSTAx<2> and BAUDCONx<3>). Parity is not supported by the hardware, but can be implemented in software and stored as the 9th data bit.

When operating in Asynchronous mode, the EUSART module consists of the following important elements:

- Baud Rate Generator
- Sampling Circuit
- Asynchronous Transmitter
- Asynchronous Receiver
- Auto-Wake-up on Sync Break Character
- 12-bit Break Character Transmit
- Auto-Baud Rate Detection

### 20.2.1 EUSART ASYNCHRONOUS TRANSMITTER

The EUSART transmitter block diagram is shown in Figure 20-3. The heart of the transmitter is the Transmit (Serial) Shift Register (TSRx). The Shift register obtains its data from the Read/Write Transmit Buffer register, TXREGx. The TXREGx register is loaded with data in software. The TSRx register is not loaded until the Stop bit has been transmitted from the previous load. As soon as the Stop bit is transmitted, the TSRx is loaded with new data from the TXREGx register (if available).

Once the TXREGx register transfers the data to the TSRx register (occurs in one Tcy), the TXREGx register is empty and the TXxIF flag bit (PIR1<4>) is set. This interrupt can be enabled or disabled by setting or clearing the interrupt enable bit, TXxIE (PIE1<4>). TXxIF will be set regardless of the state of TXxIE; it cannot be cleared in software. TXxIF is also not cleared immediately upon loading TXREGx, but becomes valid in the second instruction cycle following the load instruction. Polling TXxIF immediately following a load of TXREGx will return invalid results.

While TXxIF indicates the status of the TXREGx register, another bit, TRMT (TXSTAx<1>), shows the status of the TSRx register. TRMT is a read-only bit which is set when the TSRx register is empty. No interrupt logic is tied to this bit so the user has to poll this bit in order to determine if the TSRx register is empty.

**Note 1:** The TSRx register is not mapped in data memory so it is not available to the user.

**2:** Flag bit, TXxIF, is set when enable bit TXEN is set.

To set up an Asynchronous Transmission:

1. Initialize the SPBRGHx:SPBRGx registers for the appropriate baud rate. Set or clear the BRGH and BRG16 bits, as required, to achieve the desired baud rate.
2. Enable the asynchronous serial port by clearing bit, SYNC, and setting bit, SPEN.
3. If interrupts are desired, set enable bit, TXxIE.
4. If 9-bit transmission is desired, set transmit bit, TX9. Can be used as address/data bit.
5. Enable the transmission by setting bit, TXEN, which will also set bit, TXxIF.
6. If 9-bit transmission is selected, the ninth bit should be loaded in bit, TX9D.
7. Load data to the TXREGx register (starts transmission).
8. If using interrupts, ensure that the GIE and PEIE bits in the INTCON register (INTCON<7:6>) are set.

# PIC18F8722 FAMILY

**FIGURE 20-3: EUSART TRANSMIT BLOCK DIAGRAM**



**FIGURE 20-4: ASYNCHRONOUS TRANSMISSION**



**FIGURE 20-5: ASYNCHRONOUS TRANSMISSION (BACK TO BACK)**



**Note:** This timing diagram shows two consecutive transmissions.

# PIC18F8722 FAMILY

**TABLE 20-5: REGISTERS ASSOCIATED WITH ASYNCHRONOUS TRANSMISSION**

| Name     | Bit 7  | Bit 6     | Bit 5  | Bit 4  | Bit 3  | Bit 2  | Bit 1  | Bit 0  | Reset Values on page |
|----------|--|-----------|--------|--------|--------|--------|--------|--------|----------------------|
| INTCON   | GIE/GIEH                                       | PEIE/GIEL | TMR0IE | INT0IE | RBIE   | TMR0IF | INT0IF | RBIF   | 57                   |
| PIR1     | PSPIF  | ADIF      | RC1IF  | TX1IF  | SSP1IF | CCP1IF | TMR2IF | TMR1IF | 60                   |
| PIE1     | PSPIE  | ADIE      | RC1IE  | TX1IE  | SSP1IE | CCP1IE | TMR2IE | TMR1IE | 60                   |
| IPR1     | PSPIP  | ADIP      | RC1IP  | TX1IP  | SSP1IP | CCP1IP | TMR2IP | TMR1IP | 60                   |
| TRISC    | TRISC7   | TRISC6    | TRISC5 | TRISC4 | TRISC3 | TRISC2 | TRISC1 | TRISC0 | 60                   |
| TRISG    | —  | —         | —      | TRISG4 | TRISG3 | TRISG2 | TRISG1 | TRISG0 | 60                   |
| RCSTAx   | SPEN   | RX9       | SREN   | CREN   | ADDEN  | FERR   | OERR   | RX9D   | 59                   |
| TXREGx   | EUSARTx Transmit Register                      |           |        |        |        |        |        |        | 59                   |
| TXSTAx   | CSRC   | TX9       | TXEN   | SYNC   | SENDB  | BRGH   | TRMT   | TX9D   | 59                   |
| BAUDCONx | ABDOVF   | RCIDL     | —      | SCKP   | BRG16  | —      | WUE    | ABDEN  | 61                   |
| SPBRGHx  | EUSARTx Baud Rate Generator Register High Byte |           |        |        |        |        |        |        | 61                   |
| SPBRGx   | EUSARTx Baud Rate Generator Register Low Byte  |           |        |        |        |        |        |        | 59                   |

**Legend:** — = unimplemented locations read as '0'. Shaded cells are not used for asynchronous transmission.

# PIC18F8722 FAMILY

## 20.2.2 EUSART ASYNCHRONOUS RECEIVER

The receiver block diagram is shown in Figure 20-6. The data is received on the RXx pin and drives the data recovery block. The data recovery block is actually a high-speed shifter operating at x16 times the baud rate, whereas the main receive serial shifter operates at the bit rate or at Fosc. This mode would typically be used in RS-232 systems.

To set up an Asynchronous Reception:

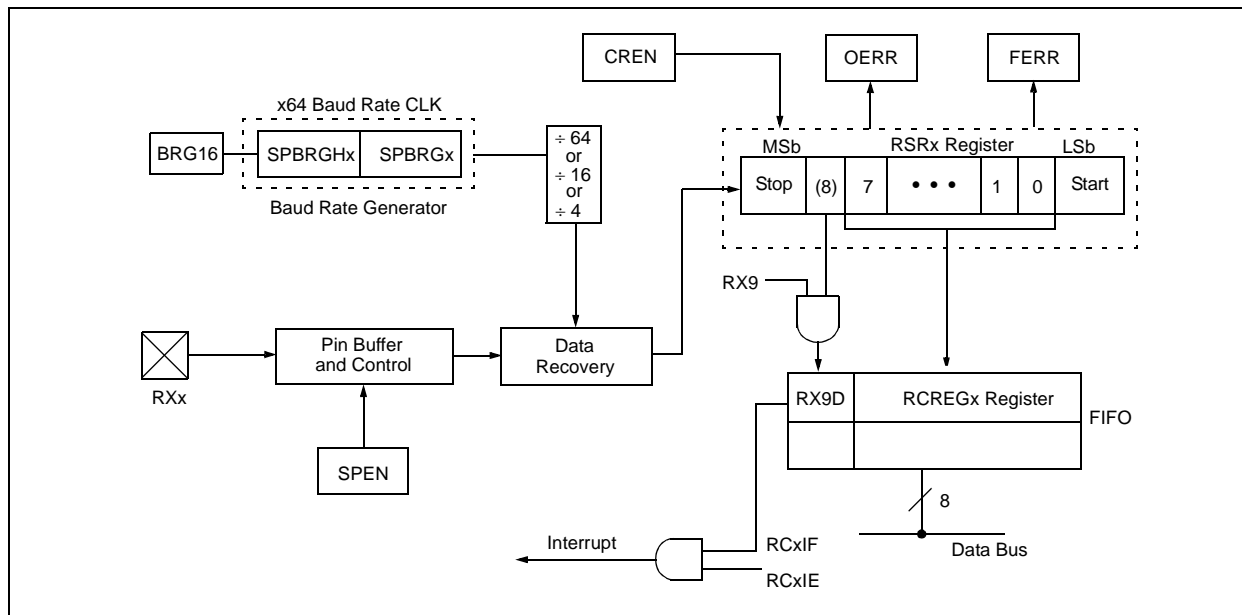
1. Initialize the SPBRGHx:SPBRGx registers for the appropriate baud rate. Set or clear the BRGH and BRG16 bits, as required, to achieve the desired baud rate.
2. Enable the asynchronous serial port by clearing bit, SYNC, and setting bit, SPEN.
3. If interrupts are desired, set enable bit, RCxIE.
4. If 9-bit reception is desired, set bit, RX9.
5. Enable the reception by setting bit, CREN.
6. Flag bit, RCxIF, will be set when reception is complete and an interrupt will be generated if enable bit, RCxIE, was set.
7. Read the RCSTAx register to get the 9th bit (if enabled) and determine if any error occurred during reception.
8. Read the 8-bit received data by reading the RCREGx register.
9. If any error occurred, clear the error by clearing enable bit, CREN.
10. If using interrupts, ensure that the GIE and PEIE bits in the INTCON register (INTCON<7:6>) are set.

## 20.2.3 SETTING UP 9-BIT MODE WITH ADDRESS DETECT

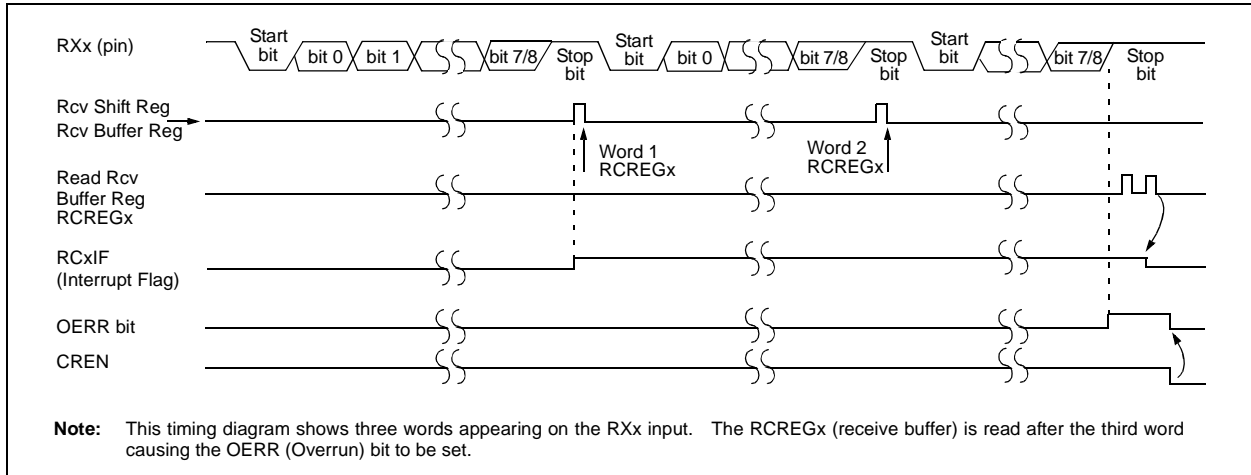
This mode would typically be used in RS-485 systems. To set up an Asynchronous Reception with Address Detect Enable:

1. Initialize the SPBRGHx:SPBRGx registers for the appropriate baud rate. Set or clear the BRGH and BRG16 bits, as required, to achieve the desired baud rate.
2. Enable the asynchronous serial port by clearing the SYNC bit and setting the SPEN bit.
3. If interrupts are required, set the RCEN bit and select the desired priority level with the RCxIP bit.
4. Set the RX9 bit to enable 9-bit reception.
5. Set the ADDEN bit to enable address detect.
6. Enable reception by setting the CREN bit.
7. The RCxIF bit will be set when reception is complete. The interrupt will be Acknowledged if the RCxIE and GIE bits are set.
8. Read the RCSTAx register to determine if any error occurred during reception, as well as read bit 9 of data (if applicable).
9. Read RCREGx to determine if the device is being addressed.
10. If any error occurred, clear the CREN bit.
11. If the device has been addressed, clear the ADDEN bit to allow all received data into the receive buffer and interrupt the CPU.

**FIGURE 20-6: EUSART RECEIVE BLOCK DIAGRAM**



**FIGURE 20-7: ASYNCHRONOUS RECEPTION**



**TABLE 20-6: REGISTERS ASSOCIATED WITH ASYNCHRONOUS RECEPTION**

| Name     | Bit 7  | Bit 6     | Bit 5  | Bit 4  | Bit 3  | Bit 2  | Bit 1  | Bit 0  | Reset Values on page |
|----------|--|-----------|--------|--------|--------|--------|--------|--------|----------------------|
| INTCON   | GIE/GIEH                                       | PEIE/GIEL | TMR0IE | INT0IE | RBIE   | TMR0IF | INT0IF | RBIF   | 57                   |
| PIR1     | PSPIF  | ADIF      | RC1IF  | TX1IF  | SSP1IF | CCP1IF | TMR2IF | TMR1IF | 60                   |
| PIE1     | PSPIE  | ADIE      | RC1IE  | TX1IE  | SSP1IE | CCP1IE | TMR2IE | TMR1IE | 60                   |
| IPR1     | PSPIP  | ADIP      | RC1IP  | TX1IP  | SSP1IP | CCP1IP | TMR2IP | TMR1IP | 60                   |
| TRISC    | TRISC7   | TRISC6    | TRISC5 | TRISC4 | TRISC3 | TRISC2 | TRISC1 | TRISC0 | 60                   |
| TRISG    | —  | —         | —      | TRISG4 | TRISG3 | TRISG2 | TRISG1 | TRISG0 | 60                   |
| RCSTAx   | SPEN   | RX9       | SREN   | CREN   | ADDEN  | FERR   | OERR   | RX9D   | 59                   |
| RCREGx   | EUSARTx Receive Register                       |           |        |        |        |        |        |        | 59                   |
| TXSTAx   | CSRC   | TX9       | TXEN   | SYNC   | SENDB  | BRGH   | TRMT   | TX9D   | 59                   |
| BAUDCONx | ABDOVF   | RCIDL     | —      | SCKP   | BRG16  | —      | WUE    | ABDEN  | 61                   |
| SPBRGHx  | EUSARTx Baud Rate Generator Register High Byte |           |        |        |        |        |        |        | 61                   |
| SPBRGx   | EUSARTx Baud Rate Generator Register Low Byte  |           |        |        |        |        |        |        | 59                   |

**Legend:** — = unimplemented locations read as '0'. Shaded cells are not used for asynchronous reception.

# PIC18F8722 FAMILY

## 20.2.4 AUTO-WAKE-UP ON SYNC BREAK CHARACTER

During Sleep mode, all clocks to the EUSART are suspended. Because of this, the Baud Rate Generator is inactive and a proper byte reception cannot be performed. The auto-wake-up feature allows the controller to wake-up due to activity on the RXx/DTx line, while the EUSART is operating in Asynchronous mode.

The auto-wake-up feature is enabled by setting the WUE bit (BAUDCON<x>1). Once set, the typical receive sequence on RXx/DTx is disabled and the EUSART remains in an Idle state, monitoring for a wake-up event independent of the CPU mode. A wake-up event consists of a high-to-low transition on the RXx/DTx line. (This coincides with the start of a Sync Break or a Wake-up Signal character for the LIN protocol.)

Following a wake-up event, the module generates an RCxIF interrupt. The interrupt is generated synchronously to the Q clocks in normal operating modes (Figure 20-8) and asynchronously, if the device is in Sleep mode (Figure 20-9). The interrupt condition is cleared by reading the RCREGx register.

The WUE bit is automatically cleared once a low-to-high transition is observed on the RXx line following the wake-up event. At this point, the EUSART module is inactive and returns to normal operation. This signals to the user that the Sync Break event is over.

### 20.2.4.1 Special Considerations Using Auto-Wake-up

Since auto-wake-up functions by sensing rising edge transitions on RXx/DTx, information with any state changes before the Stop bit may signal a false end-of-

character and cause data or framing errors. To work properly, therefore, the initial character in the transmission must be all '0's. This can be 00h (8 bytes) for standard RS-232 devices or 000h (12 bits) for LIN bus.

Oscillator start-up time must also be considered, especially in applications using oscillators with longer start-up intervals (i.e., XT or HS mode). The Sync Break (or Wake-up Signal) character must be of sufficient length and be followed by a sufficient interval to allow enough time for the selected oscillator to start and provide proper initialization of the EUSART.

### 20.2.4.2 Special Considerations Using the WUE Bit

The timing of WUE and RCxIF events may cause some confusion when it comes to determining the validity of received data. As noted, setting the WUE bit places the EUSART in an inactive state. The wake-up event causes a receive interrupt by setting the RCxIF bit. The WUE bit is cleared after this when a rising edge is seen on RXx/DTx. The interrupt condition is then cleared by reading the RCREGx register. Ordinarily, the data in RCREGx will be dummy data and should be discarded.

The fact that the WUE bit has been cleared (or is still set) and the RCxIF flag is set should not be used as an indicator of the integrity of the data in RCREGx. Users should consider implementing a parallel method in firmware to verify received data integrity.

To assure that no actual data is lost, check the RCIDL bit to verify that a receive operation is not in process. If a receive operation is not occurring, the WUE bit may then be set just prior to entering the Sleep mode.

**FIGURE 20-8: AUTO-WAKE-UP BIT (WUE) TIMINGS DURING NORMAL OPERATION**



**FIGURE 20-9: AUTO-WAKE-UP BIT (WUE) TIMINGS DURING SLEEP**





## 20.2.5 BREAK CHARACTER SEQUENCE

The EUSART module has the capability of sending the special Break character sequences that are required by the LIN bus standard. The Break character transmit consists of a Start bit, followed by twelve '0' bits and a Stop bit. The frame Break character is sent whenever the SENDB and TXEN bits (TXSTAx<3> and TXSTAx<5>) are set while the Transmit Shift register is loaded with data. Note that the value of data written to TXREGx will be ignored and all '0's will be transmitted.

The SENDB bit is automatically reset by hardware after the corresponding Stop bit is sent. This allows the user to preload the transmit FIFO with the next transmit byte following the Break character (typically, the Sync character in the LIN specification).

Note that the data value written to the TXREGx for the Break character is ignored. The write simply serves the purpose of initiating the proper sequence.

The TRMT bit indicates when the transmit operation is active or Idle, just as it does during normal transmission. See Figure 20-10 for the timing of the Break character sequence.

### 20.2.5.1 Break and Sync Transmit Sequence

The following sequence will send a message frame header made up of a Break, followed by an Auto-Baud Sync byte. This sequence is typical of a LIN bus master.

1. Configure the EUSART for the desired mode.
2. Set the TXEN and SENDB bits to set up the Break character.
3. Load the TXREGx with a dummy character to initiate transmission (the value is ignored).
4. Write '55h' to TXREGx to load the Sync character into the transmit FIFO buffer.
5. After the Break has been sent, the SENDB bit is reset by hardware. The Sync character now transmits in the preconfigured mode.

When the TXREGx becomes empty, as indicated by the TXxIF, the next data byte can be written to TXREGx.

## 20.2.6 RECEIVING A BREAK CHARACTER

The Enhanced USART module can receive a Break character in two ways.

The first method forces configuration of the baud rate at a frequency of 9/13 the typical speed. This allows for the Stop bit transition to be at the correct sampling location (13 bits for Break versus Start bit and 8 data bits for typical data).

The second method uses the auto-wake-up feature described in **Section 20.2.4 "Auto-Wake-up on Sync Break Character"**. By enabling this feature, the EUSART will sample the next two transitions on RXx/DTx, cause an RCxIF interrupt and receive the next data byte followed by another interrupt.

Note that following a Break character, the user will typically want to enable the Auto-Baud Rate Detect feature. For both methods, the user can set the ABD bit once the TXxIF interrupt is observed.

**FIGURE 20-10: SEND BREAK CHARACTER SEQUENCE**



# PIC18F8722 FAMILY

## 20.3 EUSART Synchronous Master Mode

The Synchronous Master mode is entered by setting the CSRC bit (TXSTAx<7>). In this mode, the data is transmitted in a half-duplex manner (i.e., transmission and reception do not occur at the same time). When transmitting data, the reception is inhibited and vice versa. Synchronous mode is entered by setting bit SYNC (TXSTAx<4>). In addition, enable bit SPEN (RCSTAx<7>) is set in order to configure the TXx and RXx pins to CKx (clock) and DTx (data) lines, respectively.

The Master mode indicates that the processor transmits the master clock on the CKx line. Clock polarity is selected with the SCKP bit (BAUDCONx<4>); setting SCKP sets the Idle state on CKx as high, while clearing the bit sets the Idle state as low. This option is provided to support Microwire devices with this module.

### 20.3.1 EUSART SYNCHRONOUS MASTER TRANSMISSION

The EUSART transmitter block diagram is shown in Figure 20-3. The heart of the transmitter is the Transmit (Serial) Shift Register (TSRx). The Shift register obtains its data from the Read/Write Transmit Buffer register, TXREGx. The TXREGx register is loaded with data in software. The TSRx register is not loaded until the last bit has been transmitted from the previous load. As soon as the last bit is transmitted, the TSRx is loaded with new data from the TXREGx (if available).

Once the TXREGx register transfers the data to the TSRx register (occurs in one Tcy), the TXREGx is empty and the TXxIF flag bit is set. The interrupt can be enabled or disabled by setting or clearing the interrupt enable bit, TXxIE. TXxIF is set regardless of the state of enable bit TXxIE; it cannot be cleared in software. It will reset only when new data is loaded into the TXREGx register.

While flag bit TXxIF indicates the status of the TXREGx register, another bit, TRMT (TXSTAx<1>), shows the status of the TSRx register. TRMT is a read-only bit which is set when the TSRx is empty. No interrupt logic is tied to this bit, so the user must poll this bit in order to determine if the TSRx register is empty. The TSRx is not mapped in data memory so it is not available to the user.

To set up a Synchronous Master Transmission:

1. Initialize the SPBRGHx:SPBRGx registers for the appropriate baud rate. Set or clear the BRG16 bit, as required, to achieve the desired baud rate.
2. Enable the synchronous master serial port by setting bits SYNC, SPEN and CSRC.
3. If interrupts are desired, set enable bit TXxIE.
4. If 9-bit transmission is desired, set bit TX9.
5. Enable the transmission by setting bit TXEN.
6. If 9-bit transmission is selected, the ninth bit should be loaded in bit TX9D.
7. Start transmission by loading data to the TXREGx register.
8. If using interrupts, ensure that the GIE and PEIE bits in the INTCON register (INTCON<7:6>) are set.

**FIGURE 20-11: SYNCHRONOUS TRANSMISSION**



# PIC18F8722 FAMILY

**FIGURE 20-12: SYNCHRONOUS TRANSMISSION (THROUGH TXEN)**



**TABLE 20-7: REGISTERS ASSOCIATED WITH SYNCHRONOUS MASTER TRANSMISSION**

| Name     | Bit 7  | Bit 6     | Bit 5  | Bit 4  | Bit 3  | Bit 2  | Bit 1  | Bit 0  | Reset Values on page |
|----------|--|-----------|--------|--------|--------|--------|--------|--------|----------------------|
| INTCON   | GIE/GIEH                                       | PEIE/GIEL | TMR0IE | INT0IE | RBIE   | TMR0IF | INT0IF | RBIF   | 57                   |
| PIR1     | PSPIF  | ADIF      | RC1IF  | TX1IF  | SSP1IF | CCP1IF | TMR2IF | TMR1IF | 60                   |
| PIE1     | PSPIE  | ADIE      | RC1IE  | TX1IE  | SSP1IE | CCP1IE | TMR2IE | TMR1IE | 60                   |
| IPR1     | PSPIP  | ADIP      | RC1IP  | TX1IP  | SSP1IP | CCP1IP | TMR2IP | TMR1IP | 60                   |
| TRISC    | TRISC7   | TRISC6    | TRISC5 | TRISC4 | TRISC3 | TRISC2 | TRISC1 | TRISC0 | 60                   |
| TRISG    | —  | —         | —      | TRISG4 | TRISG3 | TRISG2 | TRISG1 | TRISG0 | 60                   |
| RCSTAx   | SPEN   | RX9       | SREN   | CREN   | ADDEN  | FERR   | OERR   | RX9D   | 59                   |
| TXREGx   | EUSARTx Transmit Register                      |           |        |        |        |        |        |        | 59                   |
| TXSTAx   | CSRC   | TX9       | TXEN   | SYNC   | SENDB  | BRGH   | TRMT   | TX9D   | 59                   |
| BAUDCONx | ABDOVF   | RCIDL     | —      | SCKP   | BRG16  | —      | WUE    | ABDEN  | 61                   |
| SPBRGHx  | EUSARTx Baud Rate Generator Register High Byte |           |        |        |        |        |        |        | 61                   |
| SPBRGx   | EUSARTx Baud Rate Generator Register Low Byte  |           |        |        |        |        |        |        | 59                   |

**Legend:** — = unimplemented, read as '0'. Shaded cells are not used for synchronous master transmission.

# PIC18F8722 FAMILY

## 20.3.2 EUSART SYNCHRONOUS MASTER RECEPTION

Once Synchronous mode is selected, reception is enabled by setting either the Single Receive Enable bit, SREN (RCSTAx<5>), or the Continuous Receive Enable bit, CREN (RCSTAx<4>). Data is sampled on the RXx pin on the falling edge of the clock.

If enable bit SREN is set, only a single word is received. If enable bit CREN is set, the reception is continuous until CREN is cleared. If both bits are set, then CREN takes precedence.

To set up a Synchronous Master Reception:

1. Initialize the SPBRGHx:SPBRGx registers for the appropriate baud rate. Set or clear the BRG16 bit, as required, to achieve the desired baud rate.
2. Enable the synchronous master serial port by setting bits, SYNC, SPEN and CSRC.
3. Ensure bits, CREN and SREN, are clear.
4. If interrupts are desired, set enable bit, RCxIE.
5. If 9-bit reception is desired, set bit, RX9.
6. If a single reception is required, set bit, SREN. For continuous reception, set bit, CREN.
7. Interrupt flag bit, RCxIF, will be set when reception is complete and an interrupt will be generated if the enable bit, RCxIE, was set.
8. Read the RCSTAx register to get the 9th bit (if enabled) and determine if any error occurred during reception.
9. Read the 8-bit received data by reading the RCREGx register.
10. If any error occurred, clear the error by clearing bit, CREN.
11. If using interrupts, ensure that the GIE and PEIE bits in the INTCON register (INTCON<7:6>) are set.

**FIGURE 20-13: SYNCHRONOUS RECEPTION (MASTER MODE, SREN)**



# PIC18F8722 FAMILY

**TABLE 20-8: REGISTERS ASSOCIATED WITH SYNCHRONOUS MASTER RECEPTION**

| Name     | Bit 7  | Bit 6     | Bit 5  | Bit 4  | Bit 3  | Bit 2  | Bit 1  | Bit 0  | Reset Values on page |
|----------|--|-----------|--------|--------|--------|--------|--------|--------|----------------------|
| INTCON   | GIE/GIEH                                       | PEIE/GIEL | TMR0IE | INT0IE | RBIE   | TMR0IF | INT0IF | RBIF   | 57                   |
| PIR1     | PSPIF  | ADIF      | RC1IF  | TX1IF  | SSP1IF | CCP1IF | TMR2IF | TMR1IF | 60                   |
| PIE1     | PSPIE  | ADIE      | RC1IE  | TX1IE  | SSP1IE | CCP1IE | TMR2IE | TMR1IE | 60                   |
| IPR1     | PSPIP  | ADIP      | RC1IP  | TX1IP  | SSP1IP | CCP1IP | TMR2IP | TMR1IP | 60                   |
| TRISC    | TRISC7   | TRISC6    | TRISC5 | TRISC4 | TRISC3 | TRISC2 | TRISC1 | TRISC0 | 60                   |
| TRISG    | —  | —         | —      | TRISG4 | TRISG3 | TRISG2 | TRISG1 | TRISG0 | 60                   |
| RCSTAx   | SPEN   | RX9       | SREN   | CREN   | ADDEN  | FERR   | OERR   | RX9D   | 59                   |
| RCREGx   | EUSARTx Receive Register                       |           |        |        |        |        |        |        | 59                   |
| TXSTAx   | CSRC   | TX9       | TXEN   | SYNC   | SENDB  | BRGH   | TRMT   | TX9D   | 59                   |
| BAUDCONx | ABDOVF   | RCIDL     | —      | SCKP   | BRG16  | —      | WUE    | ABDEN  | 61                   |
| SPBRGHx  | EUSARTx Baud Rate Generator Register High Byte |           |        |        |        |        |        |        | 61                   |
| SPBRGx   | EUSARTx Baud Rate Generator Register Low Byte  |           |        |        |        |        |        |        | 59                   |

**Legend:** — = unimplemented, read as '0'. Shaded cells are not used for synchronous master reception.

# PIC18F8722 FAMILY

## 20.4 EUSART Synchronous Slave Mode

Synchronous Slave mode is entered by clearing bit, CSRC (TXSTAx<7>). This mode differs from the Synchronous Master mode in that the shift clock is supplied externally at the CKx pin (instead of being supplied internally in Master mode). This allows the device to transfer or receive data while in any low-power mode.

### 20.4.1 EUSART SYNCHRONOUS SLAVE TRANSMISSION

The operation of the Synchronous Master and Slave modes is identical, except in the case of Sleep mode.

If two words are written to the TXREGx and then the SLEEP instruction is executed, the following will occur:

- a) The first word will immediately transfer to the TSRx register and transmit.
- b) The second word will remain in the TXREGx register.
- c) Flag bit, TXxIF, will not be set.
- d) When the first word has been shifted out of TSRx, the TXREGx register will transfer the second word to the TSRx and flag bit, TXxIF, will now be set.
- e) If enable bit, TXxIE, is set, the interrupt will wake the chip from Sleep. If the global interrupt is enabled, the program will branch to the interrupt vector.

To set up a Synchronous Slave Transmission:

1. Enable the synchronous slave serial port by setting bits, SYNC and SPEN, and clearing bit, CSRC.
2. Clear bits, CREN and SREN.
3. If interrupts are desired, set enable bit, TXxIE.
4. If 9-bit transmission is desired, set bit, TX9.
5. Enable the transmission by setting enable bit, TXEN.
6. If 9-bit transmission is selected, the ninth bit should be loaded in bit, TX9D.
7. Start transmission by loading data to the TXREGx register.
8. If using interrupts, ensure that the GIE and PEIE bits in the INTCON register (INTCON<7:6>) are set.

**TABLE 20-9: REGISTERS ASSOCIATED WITH SYNCHRONOUS SLAVE TRANSMISSION**

| Name     | Bit 7  | Bit 6     | Bit 5  | Bit 4  | Bit 3  | Bit 2  | Bit 1  | Bit 0  | Reset Values on page |
|----------|--|-----------|--------|--------|--------|--------|--------|--------|----------------------|
| INTCON   | GIE/GIEH                                       | PEIE/GIEL | TMR0IE | INT0IE | RBIE   | TMR0IF | INT0IF | RBIF   | 57                   |
| PIR1     | PSPIF  | ADIF      | RC1IF  | TX1IF  | SSP1IF | CCP1IF | TMR2IF | TMR1IF | 60                   |
| PIE1     | PSPIE  | ADIE      | RC1IE  | TX1IE  | SSP1IE | CCP1IE | TMR2IE | TMR1IE | 60                   |
| IPR1     | PSPIP  | ADIP      | RC1IP  | TX1IP  | SSP1IP | CCP1IP | TMR2IP | TMR1IP | 60                   |
| TRISC    | TRISC7   | TRISC6    | TRISC5 | TRISC4 | TRISC3 | TRISC2 | TRISC1 | TRISC0 | 60                   |
| TRISG    | —  | —         | —      | TRISG4 | TRISG3 | TRISG2 | TRISG1 | TRISG0 | 60                   |
| RCSTAx   | SPEN   | RX9       | SREN   | CREN   | ADDEN  | FERR   | OERR   | RX9D   | 59                   |
| TXREGx   | EUSARTx Transmit Register                      |           |        |        |        |        |        |        | 59                   |
| TXSTAx   | CSRC   | TX9       | TXEN   | SYNC   | SENDB  | BRGH   | TRMT   | TX9D   | 59                   |
| BAUDCONx | ABDOVF   | RCIDL     | —      | SCKP   | BRG16  | —      | WUE    | ABDEN  | 61                   |
| SPBRGHx  | EUSARTx Baud Rate Generator Register High Byte |           |        |        |        |        |        |        | 61                   |
| SPBRGx   | EUSARTx Baud Rate Generator Register Low Byte  |           |        |        |        |        |        |        | 59                   |

**Legend:** — = unimplemented, read as '0'. Shaded cells are not used for synchronous slave transmission.

# PIC18F8722 FAMILY

## 20.4.2 EUSART SYNCHRONOUS SLAVE RECEPTION

The operation of the Synchronous Master and Slave modes is identical, except in the case of Sleep, or any Idle mode and bit SREN, which is a “don’t care” in Slave mode.

If receive is enabled by setting the CREN bit prior to entering Sleep or any Idle mode, then a word may be received while in this low-power mode. Once the word is received, the RSRx register will transfer the data to the RCREGx register; if the RCxIE enable bit is set, the interrupt generated will wake the chip from the low-power mode. If the global interrupt is enabled, the program will branch to the interrupt vector.

To set up a Synchronous Slave Reception:

1. Enable the synchronous master serial port by setting bits, SYNC and SPEN, and clearing bit, CSRC.
2. If interrupts are desired, set enable bit, RCxIE.
3. If 9-bit reception is desired, set bit, RX9.
4. To enable reception, set enable bit, CREN.
5. Flag bit, RCxIF, will be set when reception is complete. An interrupt will be generated if enable bit, RCxIE, was set.
6. Read the RCSTAx register to get the 9th bit (if enabled) and determine if any error occurred during reception.
7. Read the 8-bit received data by reading the RCREGx register.
8. If any error occurred, clear the error by clearing bit, CREN.
9. If using interrupts, ensure that the GIE and PEIE bits in the INTCON register (INTCON<7:6>) are set.

**TABLE 20-10: REGISTERS ASSOCIATED WITH SYNCHRONOUS SLAVE RECEPTION**

| Name     | Bit 7  | Bit 6     | Bit 5  | Bit 4  | Bit 3  | Bit 2  | Bit 1  | Bit 0  | Reset Values on page |
|----------|--|-----------|--------|--------|--------|--------|--------|--------|----------------------|
| INTCON   | GIE/GIEH                                       | PEIE/GIEL | TMR0IE | INT0IE | RBIE   | TMR0IF | INT0IF | RBIF   | 57                   |
| PIR1     | PSPIF  | ADIF      | RC1IF  | TX1IF  | SSP1IF | CCP1IF | TMR2IF | TMR1IF | 60                   |
| PIE1     | PSPIE  | ADIE      | RC1IE  | TX1IE  | SSP1IE | CCP1IE | TMR2IE | TMR1IE | 60                   |
| IPR1     | PSPIP  | ADIP      | RC1IP  | TX1IP  | SSP1IP | CCP1IP | TMR2IP | TMR1IP | 60                   |
| TRISC    | TRISC7   | TRISC6    | TRISC5 | TRISC4 | TRISC3 | TRISC2 | TRISC1 | TRISC0 | 60                   |
| TRISG    | —  | —         | —      | TRISG4 | TRISG3 | TRISG2 | TRISG1 | TRISG0 | 60                   |
| RCSTAx   | SPEN   | RX9       | SREN   | CREN   | ADDEN  | FERR   | OERR   | RX9D   | 59                   |
| RCREGx   | EUSARTx Receive Register                       |           |        |        |        |        |        |        | 59                   |
| TXSTAx   | CSRC   | TX9       | TXEN   | SYNC   | SENDB  | BRGH   | TRMT   | TX9D   | 59                   |
| BAUDCONx | ABDOVF   | RCIDL     | —      | SCKP   | BRG16  | —      | WUE    | ABDEN  | 61                   |
| SPBRGHx  | EUSARTx Baud Rate Generator Register High Byte |           |        |        |        |        |        |        | 61                   |
| SPBRGx   | EUSARTx Baud Rate Generator Register Low Byte  |           |        |        |        |        |        |        | 59                   |

**Legend:** — = unimplemented, read as ‘0’. Shaded cells are not used for synchronous slave reception.

# PIC18F8722 FAMILY

---

NOTES:



## 21.0 10-BIT ANALOG-TO-DIGITAL CONVERTER (A/D) MODULE

The Analog-to-Digital (A/D) converter module has 12 inputs for the 64-pin devices and 16 for the 80-pin devices. This module allows conversion of an analog input signal to a corresponding 10-bit digital number.

The module has five registers:

- A/D Result High Register (ADRESH)
- A/D Result Low Register (ADRESL)
- A/D Control Register 0 (ADCON0)
- A/D Control Register 1 (ADCON1)
- A/D Control Register 2 (ADCON2)

The ADCON0 register, shown in Register 21-1, controls the operation of the A/D module. The ADCON1 register, shown in Register 21-2, configures the functions of the port pins. The ADCON2 register, shown in Register 21-3, configures the A/D clock source, programmed acquisition time and justification.

### REGISTER 21-1: ADCON0: A/D CONTROL REGISTER

|       |     |                     |                     |                     |                     |         |       |
|-------|-----|---------------------|---------------------|---------------------|---------------------|---------|-------|
| U-0   | U-0 | R/W-0               | R/W-0               | R/W-0               | R/W-0               | R/W-0   | R/W-0 |
| —     | —   | CHS3 <sup>(1)</sup> | CHS2 <sup>(1)</sup> | CHS1 <sup>(1)</sup> | CHS0 <sup>(1)</sup> | GO/DONE | ADON  |
| bit 7 |     |                     |                     |                     |                     |         | bit 0 |

#### Legend:

R = Readable bit  
-n = Value at POR

W = Writable bit  
'1' = Bit is set

U = Unimplemented bit, read as '0'

'0' = Bit is cleared

x = Bit is unknown

bit 7-6 **Unimplemented:** Read as '0'

bit 5-2 **CHS<3:0>** Analog Channel Select bits<sup>(1)</sup>

0000 = Channel 0 (AN0)

0001 = Channel 1 (AN1)

0010 = Channel 2 (AN2)

0011 = Channel 3 (AN3)

0100 = Channel 4 (AN4)

0101 = Channel 5 (AN5)

0110 = Channel 6 (AN6)

0111 = Channel 7 (AN7)

1000 = Channel 8 (AN8)

1001 = Channel 9 (AN9)

1010 = Channel 10 (AN10)

1011 = Channel 11 (AN11)

1100 = Channel 12 (AN12)<sup>(1)</sup>

1101 = Channel 13 (AN13)<sup>(1)</sup>

1110 = Channel 14 (AN14)<sup>(1)</sup>

1111 = Channel 15 (AN15)<sup>(1)</sup>

bit 1 **GO/DONE:** A/D Conversion Status bit

When ADON = 1:

1 = A/D conversion in progress

0 = A/D Idle

bit 0 **ADON:** A/D On bit

1 = A/D converter module is enabled

0 = A/D converter module is disabled

**Note 1:** These channels are not implemented on 64-pin devices.

# PIC18F8722 FAMILY

## REGISTER 21-2: ADCON1: A/D CONTROL REGISTER 1

|       |     |       |       |       |       |       |       |
|-------|-----|-------|-------|-------|-------|-------|-------|
| U-0   | U-0 | R/W-0 | R/W-0 | R/W-0 | R/W-0 | R/W-0 | R/W-0 |
| —     | —   | VCFG1 | VCFG0 | PCFG3 | PCFG2 | PCFG1 | PCFG0 |
| bit 7 |     |       |       |       |       |       | bit 0 |

### Legend:

R = Readable bit

W = Writable bit

U = Unimplemented bit, read as '0'

-n = Value at POR

'1' = Bit is set

'0' = Bit is cleared

x = Bit is unknown

bit 7-6

**Unimplemented:** Read as '0'

bit 5-4

**VCFG<1:0>:** Voltage Reference Configuration bits

|    | A/D VREF+      | A/D VREF-      |
|----|----------------|----------------|
| 00 | AVDD           | AVSS           |
| 01 | External VREF+ | AVSS           |
| 10 | AVDD           | External VREF- |
| 11 | External VREF+ | External VREF- |

bit 3-0

**PCFG<3:0>:** A/D Port Configuration Control bits:

| PCFG<3:0> | AN15 <sup>(1)</sup> | AN14 <sup>(1)</sup> | AN13 <sup>(1)</sup> | AN12 <sup>(1)</sup> | AN11 | AN10 | AN9 | AN8 | AN7 | AN6 | AN5 | AN4 | AN3 | AN2 | AN1 | AN0 |
|-----------|---------------------|---------------------|---------------------|---------------------|------|------|-----|-----|-----|-----|-----|-----|-----|-----|-----|-----|
| 0000      | A                   | A                   | A                   | A                   | A    | A    | A   | A   | A   | A   | A   | A   | A   | A   | A   | A   |
| 0001      | D                   | D                   | A                   | A                   | A    | A    | A   | A   | A   | A   | A   | A   | A   | A   | A   | A   |
| 0010      | D                   | D                   | D                   | A                   | A    | A    | A   | A   | A   | A   | A   | A   | A   | A   | A   | A   |
| 0011      | D                   | D                   | D                   | D                   | A    | A    | A   | A   | A   | A   | A   | A   | A   | A   | A   | A   |
| 0100      | D                   | D                   | D                   | D                   | D    | A    | A   | A   | A   | A   | A   | A   | A   | A   | A   | A   |
| 0101      | D                   | D                   | D                   | D                   | D    | D    | A   | A   | A   | A   | A   | A   | A   | A   | A   | A   |
| 0110      | D                   | D                   | D                   | D                   | D    | D    | D   | A   | A   | A   | A   | A   | A   | A   | A   | A   |
| 0111      | D                   | D                   | D                   | D                   | D    | D    | D   | D   | A   | A   | A   | A   | A   | A   | A   | A   |
| 1000      | D                   | D                   | D                   | D                   | D    | D    | D   | D   | D   | A   | A   | A   | A   | A   | A   | A   |
| 1001      | D                   | D                   | D                   | D                   | D    | D    | D   | D   | D   | D   | A   | A   | A   | A   | A   | A   |
| 1010      | D                   | D                   | D                   | D                   | D    | D    | D   | D   | D   | D   | D   | A   | A   | A   | A   | A   |
| 1011      | D                   | D                   | D                   | D                   | D    | D    | D   | D   | D   | D   | D   | D   | A   | A   | A   | A   |
| 1100      | D                   | D                   | D                   | D                   | D    | D    | D   | D   | D   | D   | D   | D   | D   | A   | A   | A   |
| 1101      | D                   | D                   | D                   | D                   | D    | D    | D   | D   | D   | D   | D   | D   | D   | D   | A   | A   |
| 1110      | D                   | D                   | D                   | D                   | D    | D    | D   | D   | D   | D   | D   | D   | D   | D   | D   | A   |
| 1111      | D                   | D                   | D                   | D                   | D    | D    | D   | D   | D   | D   | D   | D   | D   | D   | D   | D   |

A = Analog input

D = Digital I/O

**Note 1:** AN15 through AN12 are available only on 80-pin devices.

# PIC18F8722 FAMILY

## REGISTER 21-3: ADCON2: A/D CONTROL REGISTER 2

|       |     |       |       |       |       |       |       |
|-------|-----|-------|-------|-------|-------|-------|-------|
| R/W-0 | U-0 | R/W-0 | R/W-0 | R/W-0 | R/W-0 | R/W-0 | R/W-0 |
| ADFM  | —   | ACQT2 | ACQT1 | ACQT0 | ADCS2 | ADCS1 | ADCS0 |
| bit 7 |     |       |       |       |       |       | bit 0 |

### Legend:

|                   |                  |                                    |
|-------------------|------------------|------------------------------------|
| R = Readable bit  | W = Writable bit | U = Unimplemented bit, read as '0' |
| -n = Value at POR | '1' = Bit is set | '0' = Bit is cleared               |
|                   |                  | x = Bit is unknown                 |

- bit 7      **ADFM:** A/D Result Format Select bit  
           1 = Right justified  
           0 = Left justified
- bit 6      **Unimplemented:** Read as '0'
- bit 5-3    **ACQT<2:0>:** A/D Acquisition Time Select bits  
           111 = 20 TAD  
           110 = 16 TAD  
           101 = 12 TAD  
           100 = 8 TAD  
           011 = 6 TAD  
           010 = 4 TAD  
           001 = 2 TAD  
           000 = 0 TAD<sup>(1)</sup>
- bit 2-0    **ADCS<2:0>:** A/D Conversion Clock Select bits  
           111 = FRC (clock derived from A/D RC oscillator)<sup>(1)</sup>  
           110 = FOSC/64  
           101 = FOSC/16  
           100 = FOSC/4  
           011 = FRC (clock derived from A/D RC oscillator)<sup>(1)</sup>  
           010 = FOSC/32  
           001 = FOSC/8  
           000 = FOSC/2

**Note 1:** If the A/D FRC clock source is selected, a delay of one T<sub>CY</sub> (instruction cycle) is added before the A/D clock starts. This allows the *SLEEP* instruction to be executed before starting a conversion.

# PIC18F8722 FAMILY

The analog reference voltage is software selectable to either the device's positive and negative supply voltage (VDD and VSS), or the voltage level on the RA3/AN3/VREF+ and RA2/AN2/VREF- pins.

The A/D converter has a unique feature of being able to operate while the device is in Sleep mode. To operate in Sleep, the A/D conversion clock must be derived from the A/D's internal RC oscillator.

The output of the sample and hold is the input into the converter, which generates the result via successive approximation.

A device Reset forces all registers to their Reset state. This forces the A/D module to be turned off and any conversion in progress is aborted.

Each port pin associated with the A/D converter can be configured as an analog input, or as a digital I/O. The ADRESH and ADRESL registers contain the result of the A/D conversion. When the A/D conversion is complete, the result is loaded into the ADRESH:ADRESL register pair, the GO/DONE bit (ADCON0 register) is cleared and A/D Interrupt Flag bit, ADIF (PIR1<6>), is set. The block diagram of the A/D module is shown in Figure 21-1.

**FIGURE 21-1: A/D BLOCK DIAGRAM**



# PIC18F8722 FAMILY

The value in the ADRESH:ADRESL registers is not modified for a Power-on Reset. The ADRESH:ADRESL registers will contain unknown data after a Power-on Reset.

After the A/D module has been configured as desired, the selected channel must be acquired before the conversion is started. The analog input channels must have their corresponding TRIS bits selected as an input. To determine acquisition time, see **Section 21.1 “A/D Acquisition Requirements”**. After this acquisition time has elapsed, the A/D conversion can be started. An acquisition time can be programmed to occur between setting the GO/DONE bit and the actual start of the conversion.

The following steps should be followed to perform an A/D conversion:

1. Configure the A/D module:
  - Configure analog pins, voltage reference and digital I/O (ADCON1)
  - Select A/D input channel (ADCON0)
  - Select A/D acquisition time (ADCON2)
  - Select A/D conversion clock (ADCON2)
  - Turn on A/D module (ADCON0)
2. Configure A/D interrupt (if desired):
  - Clear ADIF bit
  - Set ADIE bit
  - Set GIE bit
3. Wait the required acquisition time (if required).
4. Start conversion:
  - Set GO/DONE bit (ADCON0 register)

5. Wait for A/D conversion to complete, by either:
  - Polling for the GO/DONE bit to be cleared
  - OR
  - Waiting for the A/D interrupt
6. Read A/D Result registers (ADRESH:ADRESL); clear bit ADIF, if required.
7. For next conversion, go to step 1 or step 2, as required. The A/D conversion time per bit is defined as T<sub>AD</sub>. A minimum wait of 2 T<sub>AD</sub> is required before the next acquisition starts.

**FIGURE 21-2: A/D TRANSFER FUNCTION**



**FIGURE 21-3: ANALOG INPUT MODEL**



# PIC18F8722 FAMILY

## 21.1 A/D Acquisition Requirements

For the A/D converter to meet its specified accuracy, the charge holding capacitor (CHOLD) must be allowed to fully charge to the input channel voltage level. The analog input model is shown in Figure 21-3. The source impedance (Rs) and the internal sampling switch (Rss) impedance directly affect the time required to charge the capacitor CHOLD. The sampling switch (Rss) impedance varies over the device voltage (VDD). The source impedance affects the offset voltage at the analog input (due to pin leakage current). **The maximum recommended impedance for analog sources is 2.5 kΩ.** After the analog input channel is selected (changed), the channel must be sampled for at least the minimum acquisition time before starting a conversion.

**Note:** When the conversion is started, the holding capacitor is disconnected from the input pin.

To calculate the minimum acquisition time, Equation 21-1 may be used. This equation assumes that 1/2 LSb error is used (1024 steps for the A/D). The 1/2 LSb error is the maximum error allowed for the A/D to meet its specified resolution.

Example 21-3 shows the calculation of the minimum required acquisition time TACQ. This calculation is based on the following application system assumptions:

|                  |   |                    |
|------------------|---|--------------------|
| CHOLD            | = | 25 pF              |
| Rs               | = | 2.5 kΩ             |
| Conversion Error | ≤ | 1/2 LSb            |
| VDD              | = | 5V → Rss = 2 kΩ    |
| Temperature      | = | 85°C (system max.) |

### EQUATION 21-1: ACQUISITION TIME

$$\begin{aligned} \text{TACQ} &= \text{Amplifier Settling Time} + \text{Holding Capacitor Charging Time} + \text{Temperature Coefficient} \\ &= \text{TAMP} + \text{TC} + \text{TCOFF} \end{aligned}$$

### EQUATION 21-2: A/D MINIMUM CHARGING TIME

$$\begin{aligned} \text{VHOLD} &= (\text{VREF} - (\text{VREF}/2048)) \cdot (1 - e^{-(\text{TC}/\text{CHOLD})(\text{RIC} + \text{RSS} + \text{RS})}) \\ \text{or} \\ \text{TC} &= -(\text{CHOLD})(\text{RIC} + \text{RSS} + \text{RS}) \ln(1/2048) \end{aligned}$$

### EQUATION 21-3: CALCULATING THE MINIMUM REQUIRED ACQUISITION TIME

$$\text{TACQ} = \text{TAMP} + \text{TC} + \text{TCOFF}$$

$$\text{TAMP} = 0.2 \mu\text{s}$$

$$\begin{aligned} \text{TCOFF} &= (\text{Temp} - 25^\circ\text{C})(0.02 \mu\text{s}/^\circ\text{C}) \\ &= (85^\circ\text{C} - 25^\circ\text{C})(0.02 \mu\text{s}/^\circ\text{C}) \\ &= 1.2 \mu\text{s} \end{aligned}$$

Temperature coefficient is only required for temperatures > 25°C. Below 25°C, TCOFF = 0 ms.

$$\begin{aligned} \text{TC} &= -(\text{CHOLD})(\text{RIC} + \text{RSS} + \text{RS}) \ln(1/2047) \mu\text{s} \\ &= -(25 \text{ pF})(1 \text{ k}\Omega + 2 \text{ k}\Omega + 2.5 \text{ k}\Omega) \ln(0.0004883) \mu\text{s} \\ &= 1.05 \mu\text{s} \end{aligned}$$

$$\begin{aligned} \text{TACQ} &= 0.2 \mu\text{s} + 1 \mu\text{s} + 1.2 \mu\text{s} \\ &= 2.4 \mu\text{s} \end{aligned}$$

## 21.2 Selecting and Configuring Acquisition Time

The ADCON2 register allows the user to select an acquisition time that occurs each time the GO/DONE bit is set. It also gives users the option to use an automatically determined acquisition time.

Acquisition time may be set with the ACQT<2:0> bits (ADCON2<5:3>) which provides a range of 2 to 20 TAD. When the GO/DONE bit is set, the A/D module continues to sample the input for the selected acquisition time, then automatically begins a conversion. Since the acquisition time is programmed, there may be no need to wait for an acquisition time between selecting a channel and setting the GO/DONE bit.

Manual acquisition is selected when ACQT<2:0> = 000. When the GO/DONE bit is set, sampling is stopped and a conversion begins. The user is responsible for ensuring the required acquisition time has passed between selecting the desired input channel and setting the GO/DONE bit. This option is also the default Reset state of the ACQT<2:0> bits and is compatible with devices that do not offer programmable acquisition times.

In either case, when the conversion is completed, the GO/DONE bit is cleared, the ADIF flag is set and the A/D begins sampling the currently selected channel again. If an acquisition time is programmed, there is nothing to indicate if the acquisition time has ended or if the conversion has begun.

## 21.3 Selecting the A/D Conversion Clock

The A/D conversion time per bit is defined as TAD. The A/D conversion requires 11 TAD per 10-bit conversion. The source of the A/D conversion clock is software selectable. There are seven possible options for TAD:

- 2 TOSC
- 4 TOSC
- 8 TOSC
- 16 TOSC
- 32 TOSC
- 64 TOSC
- Internal RC Oscillator

For correct A/D conversions, the A/D conversion clock (TAD) must be as short as possible, but greater than the minimum TAD (see parameter 130, Table 28-27 for more information).

Table 21-1 shows the resultant TAD times derived from the device operating frequencies and the A/D clock source selected.

**TABLE 21-1: TAD vs. DEVICE OPERATING FREQUENCIES**

| AD Clock Source (TAD) |           | Maximum Device Frequency |                            |
|-----------------------|-----------|--------------------------|----------------------------|
| Operation             | ADCS<2:0> | PIC18FXXXX               | PIC18LFXXXX <sup>(4)</sup> |
| 2 TOSC                | 000       | 2.86 MHz                 | 1.43 kHz                   |
| 4 TOSC                | 100       | 5.71 MHz                 | 2.86 MHz                   |
| 8 TOSC                | 001       | 11.43 MHz                | 5.72 MHz                   |
| 16 TOSC               | 101       | 22.86 MHz                | 11.43 MHz                  |
| 32 TOSC               | 010       | 40.0 MHz                 | 22.86 MHz                  |
| 64 TOSC               | 110       | 40.0 MHz                 | 22.86 MHz                  |
| RC <sup>(3)</sup>     | x11       | 1.00 MHz <sup>(1)</sup>  | 1.00 MHz <sup>(2)</sup>    |

- Note 1:** The RC source has a typical TAD time of 1.2  $\mu$ s.  
**Note 2:** The RC source has a typical TAD time of 2.5  $\mu$ s.  
**Note 3:** For device frequencies above 1 MHz, the device must be in Sleep for the entire conversion or the A/D accuracy may be out of specification.  
**Note 4:** Low-power (PIC18LFXXXX) devices only.

# PIC18F8722 FAMILY

---

## 21.4 Operation in Power-Managed Modes

The selection of the automatic acquisition time and A/D conversion clock is determined in part by the clock source and frequency while in a power-managed mode.

If the A/D is expected to operate while the device is in a power-managed mode, the ACQT<2:0> and ADCS<2:0> bits in ADCON2 should be updated in accordance with the clock source to be used in that mode. After entering the mode, an A/D acquisition or conversion may be started. Once started, the device should continue to be clocked by the same clock source until the conversion has been completed.

If desired, the device may be placed into the corresponding Idle mode during the conversion. If the device clock frequency is less than 1 MHz, the A/D RC clock source should be selected.

Operation in the Sleep mode requires the A/D FRC clock to be selected. If bits ACQT<2:0> are set to '000' and a conversion is started, the conversion will be delayed one instruction cycle to allow execution of the SLEEP instruction and entry to Sleep mode. The IDLEN bit (OSCCON<7>) must have already been cleared prior to starting the conversion.

## 21.5 Configuring Analog Port Pins

The ADCON1, TRISA, TRISF and TRISH registers all configure the A/D port pins. The port pins needed as analog inputs must have their corresponding TRIS bits set (input). If the TRIS bit is cleared (output), the digital output level (VOH or VOL) will be converted.

The A/D operation is independent of the state of the CHS<3:0> bits and the TRIS bits.

**Note 1:** When reading the Port register, all pins configured as analog input channels will read as cleared (a low level). Pins configured as digital inputs will convert as analog inputs. Analog levels on a digitally configured input will be accurately converted.

**2:** Analog levels on any pin defined as a digital input may cause the digital input buffer to consume current out of the device's specification limits.



## 21.6 A/D Conversions

Figure 21-4 shows the operation of the A/D converter after the  $\overline{\text{GO/DONE}}$  bit has been set and the  $\text{ACQT}\langle 2:0 \rangle$  bits are cleared. A conversion is started after the following instruction to allow entry into Sleep mode before the conversion begins.

Figure 21-5 shows the operation of the A/D converter after the  $\overline{\text{GO/DONE}}$  bit has been set, the  $\text{ACQT}\langle 2:0 \rangle$  bits are set to '010' and a 4 TAD acquisition time is selected before the conversion starts.

Clearing the  $\overline{\text{GO/DONE}}$  bit during a conversion will abort the current conversion. The A/D Result register pair will NOT be updated with the partially completed A/D conversion sample. This means the  $\text{ADRESH:ADRESL}$  registers will continue to contain the value of the last completed conversion (or the last value written to the  $\text{ADRESH:ADRESL}$  registers).

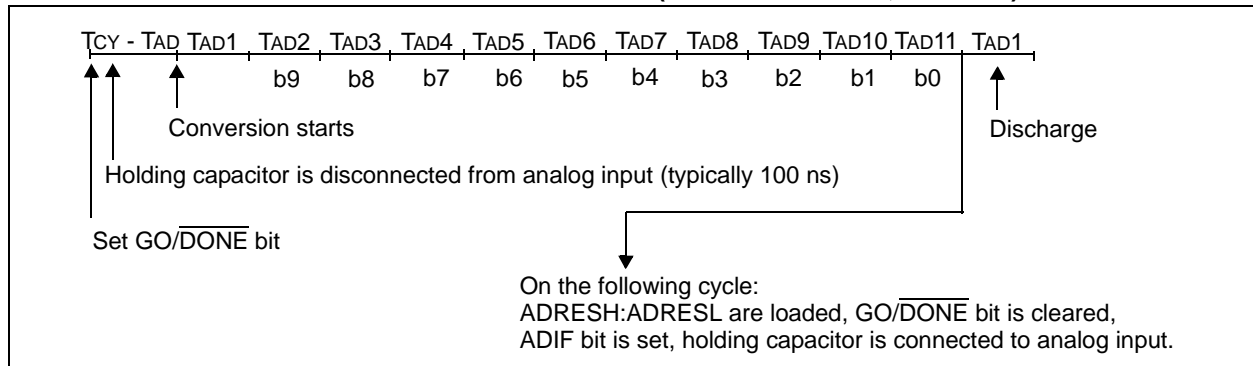
After the A/D conversion is completed or aborted, a 2 TAD wait is required before the next acquisition can be started. After this wait, acquisition on the selected channel is automatically started.

**Note:** The  $\overline{\text{GO/DONE}}$  bit should **NOT** be set in the same instruction that turns on the A/D.

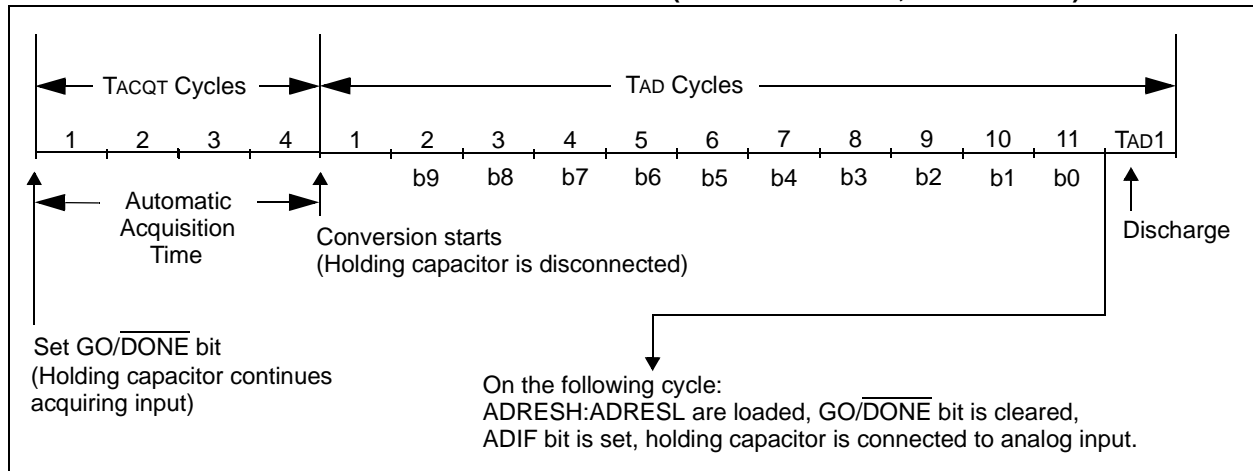
## 21.7 Discharge

The discharge phase is used to initialize the value of the capacitor array. The array is discharged before every sample. This feature helps to optimize the unity-gain amplifier, as the circuit always needs to charge the capacitor array, rather than charge/discharge based on previous measure values.

**FIGURE 21-4: A/D CONVERSION TAD CYCLES ( $\text{ACQT}\langle 2:0 \rangle = 000, \text{TACQ} = 0$ )**



**FIGURE 21-5: A/D CONVERSION TAD CYCLES ( $\text{ACQT}\langle 2:0 \rangle = 010, \text{TACQ} = 4 \text{ TAD}$ )**



# PIC18F8722 FAMILY

## 21.8 Use of the ECCP2 Trigger

An A/D conversion can be started by the Special Event Trigger of the ECCP2 module. This requires that the CCP2M<3:0> bits (CCP2CON<3:0>) be programmed as '1011' and that the A/D module is enabled (ADON bit is set). When the trigger occurs, the GO/DONE bit will be set, starting the A/D acquisition and conversion and the Timer1 (or Timer3) counter will be reset to zero. Timer1 (or Timer3) is reset to automatically repeat the A/D acquisition period with minimal software overhead

(moving ADRESH:ADRESL to the desired location). The appropriate analog input channel must be selected and the minimum acquisition period is either timed by the user, or an appropriate TACQ time selected before the Special Event Trigger sets the GO/DONE bit (starts a conversion).

If the A/D module is not enabled (ADON is cleared), the Special Event Trigger will be ignored by the A/D module but will still reset the Timer1 (or Timer3) counter.

**TABLE 21-2: REGISTERS ASSOCIATED WITH A/D OPERATION**

| Name                 | Bit 7                         | Bit 6                 | Bit 5  | Bit 4  | Bit 3  | Bit 2  | Bit 1   | Bit 0  | Reset Values on page |
|----------------------|-------------------------------|-----------------------|--------|--------|--------|--------|---------|--------|----------------------|
| INTCON               | GIE/GIEH                      | PEIE/GIEL             | TMR0IE | INT0IE | RBIE   | TMR0IF | INT0IF  | RBIF   | 57                   |
| PIR1                 | PSPIF                         | ADIF                  | RC1IF  | TX1IF  | SSP1IF | CCP1IF | TMR2IF  | TMR1IF | 60                   |
| PIE1                 | PSPIE                         | ADIE                  | RC1IE  | TX1IE  | SSP1IE | CCP1IE | TMR2IE  | TMR1IE | 60                   |
| IPR1                 | PSPIP                         | ADIP                  | RC1IP  | TX1IP  | SSP1IP | CCP1IP | TMR2IP  | TMR1IP | 60                   |
| PIR2                 | OSCFIF                        | CMIF                  | —      | EEIF   | BCL1IF | HLVDIF | TMR3IF  | CCP2IF | 60                   |
| PIE2                 | OSCFIE                        | CMIE                  | —      | EEIE   | BCL1IE | HLVDIE | TMR3IE  | CCP2IE | 60                   |
| IPR2                 | OSCFIP                        | CMIP                  | —      | EEIP   | BCL1IP | HLVDIP | TMR3IP  | CCP2IP | 60                   |
| ADRESH               | A/D Result Register High Byte |                       |        |        |        |        |         |        | 59                   |
| ADRESL               | A/D Result Register Low Byte  |                       |        |        |        |        |         |        | 59                   |
| ADCON0               | —                             | —                     | CHS3   | CHS2   | CHS1   | CHS0   | GO/DONE | ADON   | 59                   |
| ADCON1               | —                             | —                     | VCFG1  | VCFG0  | PCFG3  | PCFG2  | PCFG1   | PCFG0  | 59                   |
| ADCON2               | ADFM                          | —                     | ACQT2  | ACQT1  | ACQT0  | ADCS2  | ADCS1   | ADCS0  | 59                   |
| TRISA                | TRISA7 <sup>(1)</sup>         | TRISA6 <sup>(1)</sup> | TRISA5 | TRISA4 | TRISA3 | TRISA2 | TRISA1  | TRISA0 | 60                   |
| TRISF                | TRISF7                        | TRISF6                | TRISF5 | TRISF4 | TRISF3 | TRISF2 | TRISF1  | TRISF0 | 60                   |
| TRISH <sup>(2)</sup> | TRISH7                        | TRISH6                | TRISH5 | TRISH4 | TRISH3 | TRISH2 | TRISH1  | TRISH0 | 60                   |

**Legend:** — = unimplemented, read as '0'. Shaded cells are not used for A/D conversion.

**Note 1:** PORTA<7:6> and their direction bits are individually configured as port pins based on various primary oscillator modes. When disabled, these bits read as '0'.

**2:** These registers are not implemented on 64-pin devices.

## 22.0 COMPARATOR MODULE

The analog comparator module contains two comparators that can be configured in a variety of ways. The inputs can be selected from the analog inputs multiplexed with pins RF3 through RF6, as well as the on-chip voltage reference (see **Section 23.0 “Comparator Voltage Reference Module”**). The digital outputs (normal or inverted) are available on RF1 and RF2 and can also be read through the control register.

The CMCON register (Register 22-1) selects the comparator input and output configuration. Block diagrams of the various comparator configurations are shown in Figure 22-1.

### REGISTER 22-1: CMCON: COMPARATOR MODULE CONTROL REGISTER

|       |       |       |       |       |       |       |       |
|-------|-------|-------|-------|-------|-------|-------|-------|
| R-0   | R-0   | R/W-0 | R/W-0 | R/W-0 | R/W-1 | R/W-1 | R/W-1 |
| C2OUT | C1OUT | C2INV | C1INV | CIS   | CM2   | CM1   | CM0   |
| bit 7 |       |       |       |       |       |       | bit 0 |

#### Legend:

R = Readable bit

W = Writable bit

U = Unimplemented bit, read as '0'

-n = Value at POR

'1' = Bit is set

'0' = Bit is cleared

x = Bit is unknown

- bit 7      **C2OUT:** Comparator 2 Output bit  
When C2INV = 0:  
 1 = C2 VIN+ > C2 VIN-  
 0 = C2 VIN+ < C2 VIN-  
When C2INV = 1:  
 1 = C2 VIN+ < C2 VIN-  
 0 = C2 VIN+ > C2 VIN-
- bit 6      **C1OUT:** Comparator 1 Output bit  
When C1INV = 0:  
 1 = C1 VIN+ > C1 VIN-  
 0 = C1 VIN+ < C1 VIN-  
When C1INV = 1:  
 1 = C1 VIN+ < C1 VIN-  
 0 = C1 VIN+ > C1 VIN-
- bit 5      **C2INV:** Comparator 2 Output Inversion bit  
 1 = C2 output inverted  
 0 = C2 output not inverted
- bit 4      **C1INV:** Comparator 1 Output Inversion bit  
 1 = C1 output inverted  
 0 = C1 output not inverted
- bit 3      **CIS:** Comparator Input Switch bit  
When CM2:CM0 = 110:  
 1 = C1 VIN- connects to RF5/AN10/CVREF  
       C2 VIN- connects to RF3/AN8  
 0 = C1 VIN- connects to RF6/AN11  
       C2 VIN- connects to RF4/AN9
- bit 2-0    **CM<2:0>:** Comparator mode bits

Figure 22-1 shows the Comparator modes and the CM2:CM0 bit settings.

# PIC18F8722 FAMILY

## 22.1 Comparator Configuration

There are eight modes of operation for the comparators, shown in Figure 22-1. Bits CM<2:0> of the CMCON register are used to select these modes. The TRISF register controls the data direction of the comparator pins for each mode. If the Comparator

mode is changed, the comparator output level may not be valid for the specified mode change delay shown in Section 28.0 “Electrical Characteristics”.

**Note:** Comparator interrupts should be disabled during a Comparator mode change; otherwise, a false interrupt may occur.

**FIGURE 22-1: COMPARATOR I/O OPERATING MODES**



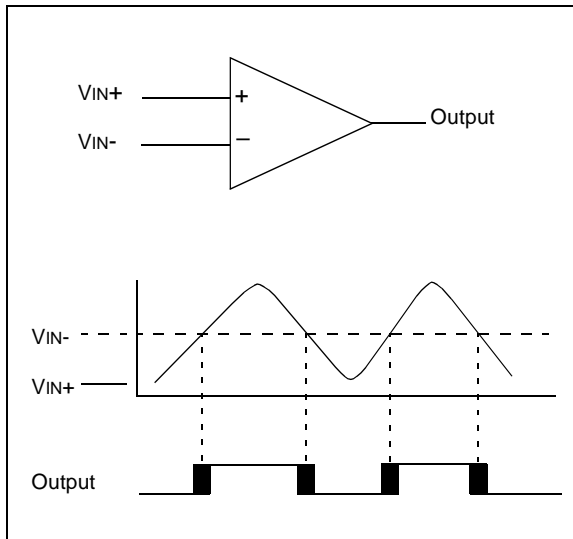
## 22.2 Comparator Operation

A single comparator is shown in Figure 22-2, along with the relationship between the analog input levels and the digital output. When the analog input at  $V_{IN+}$  is less than the analog input  $V_{IN-}$ , the output of the comparator is a digital low level. When the analog input at  $V_{IN+}$  is greater than the analog input  $V_{IN-}$ , the output of the comparator is a digital high level. The shaded areas of the output of the comparator in Figure 22-2 represent the uncertainty, due to input offsets and response time.

## 22.3 Comparator Reference

Depending on the comparator operating mode, either an external or internal voltage reference may be used. The analog signal present at  $V_{IN-}$  is compared to the signal at  $V_{IN+}$  and the digital output of the comparator is adjusted accordingly (Figure 22-2).

**FIGURE 22-2: SINGLE COMPARATOR**



### 22.3.1 EXTERNAL REFERENCE SIGNAL

When external voltage references are used, the comparator module can be configured to have the comparators operate from the same or different reference sources. However, threshold detector applications may require the same reference. The reference signal must be between  $V_{SS}$  and  $V_{DD}$  and can be applied to either pin of the comparator(s).

### 22.3.2 INTERNAL REFERENCE SIGNAL

The comparator module also allows the selection of an internally generated voltage reference from the comparator voltage reference module. This module is described in more detail in **Section 23.0 “Comparator Voltage Reference Module”**.

The internal reference is only available in the mode where four inputs are multiplexed to two comparators ( $CM\langle 2:0 \rangle = 110$ ). In this mode, the internal voltage reference is applied to the  $V_{IN+}$  pin of both comparators.

## 22.4 Comparator Response Time

Response time is the minimum time, after selecting a new reference voltage or input source, before the comparator output has a valid level. If the internal reference is changed, the maximum delay of the internal voltage reference must be considered when using the comparator outputs. Otherwise, the maximum delay of the comparators should be used (see **Section 28.0 “Electrical Characteristics”**).

## 22.5 Comparator Outputs

The comparator outputs are read through the  $CMCON$  register. These bits are read-only. The comparator outputs may also be directly output to the  $RF1$  and  $RF2$  I/O pins. When enabled, multiplexors in the output path of each pin will switch and the output of each pin will be the unsynchronized output of the comparator. The uncertainty of each of the comparators is related to the input offset voltage and the response time given in the specifications. Figure 22-3 shows the comparator output block diagram.

The  $TRISF$  bits will still function as an output enable/disable for the  $RF1$  and  $RF2$  pins while in this mode.

The polarity of the comparator outputs can be changed using the  $C2INV$  and  $C1INV$  bits ( $CMCON\langle 5:4 \rangle$ ).

- Note 1:** When reading the  $PORT$  register, all pins configured as analog inputs will read as a '0'. Pins configured as digital inputs will convert an analog input according to the Schmitt Trigger input specification.
- 2:** Analog levels on any pin defined as a digital input may cause the input buffer to consume more current than is specified.

# PIC18F8722 FAMILY

FIGURE 22-3: COMPARATOR OUTPUT BLOCK DIAGRAM



## 22.6 Comparator Interrupts

The comparator interrupt flag is set whenever there is a change in the output value of either comparator. Software will need to maintain information about the status of the output bits, as read from CMCON<7:6>, to determine the actual change that occurred. The CMIF bit (PIR2<6>) is the Comparator Interrupt Flag. The CMIF bit must be reset by clearing it. Since it is also possible to write a '1' to this register, a simulated interrupt may be initiated.

Both the CMIE bit (PIE2<6>) and the PEIE bit (INTCON<6>) must be set to enable the interrupt. In addition, the GIE bit (INTCON<7>) must also be set. If any of these bits are clear, the interrupt is not enabled, though the CMIF bit will still be set if an interrupt condition occurs.

**Note:** If a change in the CMCON register (C1OUT or C2OUT) should occur when a read operation is being executed (start of the Q2 cycle), then the CMIF (PIR2 register) interrupt flag may not get set.

The user, in the Interrupt Service Routine, can clear the interrupt in the following manner:

- Any read or write of CMCON will end the mismatch condition.
- Clear flag bit, CMIF.

A mismatch condition will continue to set flag bit, CMIF. Reading CMCON will end the mismatch condition and allow flag bit, CMIF, to be cleared.

## 22.7 Comparator Operation During Sleep

When a comparator is active and the device is placed in Sleep mode, the comparator remains active and the interrupt will wake-up the device from Sleep mode, when enabled. Each operational comparator will consume additional current, as shown in the comparator specifications. To minimize power consumption while in Sleep mode, turn off the comparators (CM<2:0> = 111) before entering Sleep. If the device wakes up from Sleep, the contents of the CMCON register are not affected.

## 22.8 Effects of a Reset

A device Reset forces the CMCON register to its Reset state, causing the comparator modules to be turned off (CM<2:0> = 111). However, the input pins (RF3 through RF6) are configured as analog inputs by default on device Reset. The I/O configuration for these pins is also determined by the setting of the PCFG<3:0> bits (ADCON1<3:0>). Therefore, device current is minimized when analog inputs are present at Reset time.

## 22.9 Analog Input Connection Considerations

A simplified circuit for an analog input is shown in Figure 22-4. Since the analog pins are connected to a digital output, they have reverse biased diodes to VDD and VSS. The analog input, therefore, must be between VSS and VDD. If the input voltage deviates from this

range by more than 0.6V in either direction, one of the diodes is forward biased and a latch-up condition may occur. A maximum source impedance of 10 kΩ is recommended for the analog sources. Any external component connected to an analog input pin, such as a capacitor or a Zener diode, should have very little leakage current.

**FIGURE 22-4: COMPARATOR ANALOG INPUT MODEL**



**TABLE 22-1: REGISTERS ASSOCIATED WITH COMPARATOR MODULE**

| Name   | Bit 7    | Bit 6     | Bit 5  | Bit 4  | Bit 3  | Bit 2  | Bit 1  | Bit 0  | Reset Values on page |
|--------|----------|-----------|--------|--------|--------|--------|--------|--------|----------------------|
| CMCON  | C2OUT    | C1OUT     | C2INV  | C1INV  | CIS    | CM2    | CM1    | CM0    | 59                   |
| CVRCON | CVREN    | CVROE     | CVRR   | CVRSS  | CVR3   | CVR2   | CVR1   | CVR0   | 59                   |
| INTCON | GIE/GIEH | PEIE/GIEL | TMR0IE | INT0IE | RBIE   | TMR0IF | INT0IF | RBIF   | 60                   |
| PIR2   | OSCFIF   | CMIF      | —      | EEIF   | BCL1IF | HLVDIF | TMR3IF | CCP2IF | 60                   |
| PIE2   | OSCFIE   | CMIE      | —      | EEIE   | BCL1IE | HLVDIE | TMR3IE | CCP2IE | 60                   |
| IPR2   | OSCFIP   | CMIP      | —      | EEIP   | BCL1IP | HLVDIP | TMR3IP | CCP2IP | 60                   |
| TRISF  | TRISF7   | TRISF6    | TRISF5 | TRISF4 | TRISF3 | TRISF2 | TRISF1 | TRISF0 | 60                   |

**Legend:** — = unimplemented, read as '0'. Shaded cells are unused by the comparator module.

# PIC18F8722 FAMILY

---

NOTES:



## 23.0 COMPARATOR VOLTAGE REFERENCE MODULE

The comparator voltage reference is a 16-tap resistor ladder network that provides a selectable reference voltage. Although its primary purpose is to provide a reference for the analog comparators, it may also be used independently of them.

A block diagram of the module is shown in Figure 23-1. The resistor ladder is segmented to provide two ranges of CVREF values and has a power-down function to conserve power when the reference is not being used. The module's supply reference can be provided from either device VDD/VSS or an external voltage reference.

### 23.1 Configuring the Comparator Voltage Reference

The voltage reference module is controlled through the CVRCON register (Register 23-1). The comparator voltage reference provides two ranges of output voltage, each with 16 distinct levels. The range to be used is selected by the CVRR bit (CVRCON<5>). The

primary difference between the ranges is the size of the steps selected by the CVREF Selection bits (CVR<3:0>), with one range offering finer resolution. The equations used to calculate the output of the comparator voltage reference are as follows:

$$\text{If CVRR} = 1: \\ \text{CVREF} = ((\text{CVR3:CVR0})/24) \times (\text{CVRSRC})$$

$$\text{If CVRR} = 0: \\ \text{CVREF} = (\text{CVRSRC}/4) + ((\text{CVR3:CVR0})/32) \times (\text{CVRSRC})$$

The comparator reference supply voltage can come from either VDD and VSS, or the external VREF+ and VREF- that are multiplexed with RA2 and RA3. The voltage source is selected by the CVRSS bit (CVRCON<4>).

The settling time of the comparator voltage reference must be considered when changing the CVREF output (see Table 28-3 in **Section 28.0 "Electrical Characteristics"**).

**REGISTER 23-1: CVRCON: COMPARATOR VOLTAGE REFERENCE CONTROL REGISTER**

|       |                      |       |       |       |       |       |       |
|-------|----------------------|-------|-------|-------|-------|-------|-------|
| R/W-0 | R/W-0                | R/W-0 | R/W-0 | R/W-0 | R/W-0 | R/W-0 | R/W-0 |
| CVREN | CVROE <sup>(1)</sup> | CVRR  | CVRSS | CVR3  | CVR2  | CVR1  | CVR0  |
| bit 7 |                      |       |       |       |       |       | bit 0 |

**Legend:**

R = Readable bit                      W = Writable bit                      U = Unimplemented bit, read as '0'  
 -n = Value at POR                      '1' = Bit is set                      '0' = Bit is cleared                      x = Bit is unknown

- bit 7            **CVREN:** Comparator Voltage Reference Enable bit  
 1 = CVREF circuit powered on  
 0 = CVREF circuit powered down
- bit 6            **CVROE:** Comparator VREF Output Enable bit<sup>(1)</sup>  
 1 = CVREF voltage level is also output on the RF5/AN10/CVREF pin  
 0 = CVREF voltage is disconnected from the RF5/AN10/CVREF pin
- bit 5            **CVRR:** Comparator VREF Range Selection bit  
 1 = 0 to 0.667 CVRSRC, with CVRSRC/24 step size (low range)  
 0 = 0.25 CVRSRC to 0.75 CVRSRC, with CVRSRC/32 step size (high range)
- bit 4            **CVRSS:** Comparator VREF Source Selection bit  
 1 = Comparator reference source, CVRSRC = (VREF+) – (VREF-)  
 0 = Comparator reference source, CVRSRC = AVDD – AVSS
- bit 3-0        **CVR<3:0>:** Comparator VREF Value Selection bits (0 ≤ (CVR<3:0>) ≤ 15)  
 When CVRR = 1:  
 $\text{CVREF} = ((\text{CVR}<3:0>)/24) \times (\text{CVRSRC})$   
 When CVRR = 0:  
 $\text{CVREF} = (\text{CVRSRC}/4) + ((\text{CVR}<3:0>)/32) \times (\text{CVRSRC})$

**Note 1:** CVROE overrides the TRISF<5> bit setting.

# PIC18F8722 FAMILY

FIGURE 23-1: COMPARATOR VOLTAGE REFERENCE BLOCK DIAGRAM



## 23.2 Voltage Reference Accuracy/Error

The full range of voltage reference cannot be realized due to the construction of the module. The transistors on the top and bottom of the resistor ladder network (Figure 23-1) keep CVREF from approaching the reference source rails. The voltage reference is derived from the reference source; therefore, the CVREF output changes with fluctuations in that source. The tested absolute accuracy of the voltage reference can be found in **Section 28.0 "Electrical Characteristics"**.

## 23.3 Operation During Sleep

When the device wakes up from Sleep through an interrupt or a Watchdog Timer time-out, the contents of the CVRCON register are not affected. To minimize current consumption in Sleep mode, the voltage reference should be disabled.

## 23.4 Effects of a Reset

A device Reset disables the voltage reference by clearing bit, CVREN (CVRCON<7>). This Reset also disconnects the reference from the RF5 pin by clearing bit, CVROE (CVRCON<6>), and selects the high-voltage range by clearing bit, CVRR (CVRCON<5>). The CVR value select bits are also cleared.

## 23.5 Connection Considerations

The voltage reference module operates independently of the comparator module. The output of the reference generator may be connected to the RF5 pin if the CVROE bit is set. Enabling the voltage reference output onto RF5 when it is configured as a digital input will increase current consumption. Connecting RF5 as a digital output with CVR<sub>SS</sub> enabled will also increase current consumption.

The RF5 pin can be used as a simple D/A output with limited drive capability. Due to the limited current drive capability, a buffer must be used on the voltage reference output for external connections to VREF. Figure 23-2 shows an example buffering technique.

# PIC18F8722 FAMILY

**FIGURE 23-2: COMPARATOR VOLTAGE REFERENCE OUTPUT BUFFER EXAMPLE**



**TABLE 23-1: REGISTERS ASSOCIATED WITH COMPARATOR VOLTAGE REFERENCE**

| Name   | Bit 7  | Bit 6  | Bit 5  | Bit 4  | Bit 3  | Bit 2  | Bit 1  | Bit 0  | Reset Values on page |
|--------|--------|--------|--------|--------|--------|--------|--------|--------|----------------------|
| CVRCON | CVREN  | CVROE  | CVRR   | CVRSS  | CVR3   | CVR2   | CVR1   | CVR0   | 59                   |
| CMCON  | C2OUT  | C1OUT  | C2INV  | C1INV  | CIS    | CM2    | CM1    | CM0    | 59                   |
| TRISF  | TRISF7 | TRISF6 | TRISF5 | TRISF4 | TRISF3 | TRISF2 | TRISF1 | TRISF0 | 60                   |

**Legend:** Shaded cells are not used with the comparator voltage reference.

# PIC18F8722 FAMILY

---

NOTES:

## 24.0 HIGH/LOW-VOLTAGE DETECT (HLVD)

The PIC18F8722 family of devices have a High/Low-Voltage Detect module (HLVD). This is a programmable circuit that allows the user to specify both a device voltage trip point and the direction of change from that point. If the device experiences an excursion past the trip point in that direction, an interrupt flag is set. If the interrupt is enabled, the program execution will branch to the interrupt vector address and the software can then respond to the interrupt.

The High/Low-Voltage Detect Control register (Register 24-1) completely controls the operation of the HLVD module. This allows the circuitry to be “turned off” by the user under software control, which minimizes the current consumption for the device.

The block diagram for the HLVD module is shown in Figure 24-1.

**REGISTER 24-1: HLVDCON: HIGH/LOW-VOLTAGE DETECT CONTROL REGISTER**

|         |     |       |        |                       |                       |                       |                       |
|---------|-----|-------|--------|-----------------------|-----------------------|-----------------------|-----------------------|
| R/W-0   | U-0 | R-0   | R/W-0  | R/W-0                 | R/W-1                 | R/W-0                 | R/W-1                 |
| VDIRMAG | —   | IRVST | HLVDEN | HLVDL3 <sup>(1)</sup> | HLVDL2 <sup>(1)</sup> | HLVDL1 <sup>(1)</sup> | HLVDL0 <sup>(1)</sup> |
| bit 7   |     |       |        |                       |                       |                       | bit 0                 |

**Legend:**

|                   |                  |                                    |
|-------------------|------------------|------------------------------------|
| R = Readable bit  | W = Writable bit | U = Unimplemented bit, read as '0' |
| -n = Value at POR | '1' = Bit is set | '0' = Bit is cleared               |
|                   |                  | x = Bit is unknown                 |

- bit 7      **VDIRMAG:** Voltage Direction Magnitude Select bit  
 1 = Event occurs when voltage equals or exceeds trip point (HLVDL<3:0>)  
 0 = Event occurs when voltage equals or falls below trip point (HLVDL<3:0>)
- bit 6      **Unimplemented:** Read as '0'
- bit 5      **IRVST:** Internal Reference Voltage Stable Flag bit  
 1 = Indicates that the voltage detect logic will generate the interrupt flag at the specified voltage range  
 0 = Indicates that the voltage detect logic will not generate the interrupt flag at the specified voltage range and the HLVD interrupt should not be enabled
- bit 4      **HLVDEN:** High/Low-Voltage Detect Power Enable bit  
 1 = HLVD enabled  
 0 = HLVD disabled
- bit 3-0    **HLVDL<3:0>:** Voltage Detection Limit bits<sup>(1)</sup>  
 1111 = External analog input is used (input comes from the HLVDIN pin)  
 1110 = Maximum setting  
 .  
 .  
 .  
 0000 = Minimum setting

**Note 1:** See Table 28-4 for specifications.

# PIC18F8722 FAMILY

The module is enabled by setting the HLVDEN bit. Each time that the HLVD module is enabled, the circuitry requires some time to stabilize. The IRVST bit is a read-only bit and is used to indicate when the circuit is stable. The module can only generate an interrupt after the circuit is stable and IRVST is set.

The VDIRMAG bit determines the overall operation of the module. When VDIRMAG is cleared, the module monitors for drops in VDD below a predetermined set point. When the bit is set, the module monitors for rises in VDD above the set point.

## 24.1 Operation

When the HLVD module is enabled, a comparator uses an internally generated reference voltage as the set point. The set point is compared with the trip point, where each node in the resistor divider represents a trip point voltage. The “trip point” voltage is the voltage level at which the device detects a high or low-voltage

event, depending on the configuration of the module. When the supply voltage is equal to the trip point, the voltage tapped off of the resistor array is equal to the internal reference voltage generated by the voltage reference module. The comparator then generates an interrupt signal by setting the HLVDIF bit.

The trip point voltage is software programmable to any one of 16 values. The trip point is selected by programming the HLVDL<3:0> bits (HLVDCON<3:0>).

The HLVD module has an additional feature that allows the user to supply the trip voltage to the module from an external source. This mode is enabled when bits HLVDL<3:0> are set to ‘1111’. In this state, the comparator input is multiplexed from the external input pin, HLVDIN. This gives users flexibility because it allows them to configure the High/Low-Voltage Detect interrupt to occur at any voltage in the valid operating range.

FIGURE 24-1: HLVD MODULE BLOCK DIAGRAM (WITH EXTERNAL INPUT)



## 24.2 HLVD Setup

The following steps are needed to set up the HLVD module:

1. Write the value to the HLVDL<3:0> bits that selects the desired HLVD trip point.
2. Set the VDIRMAG bit to detect high voltage (VDIRMAG = 1) or low voltage (VDIRMAG = 0).
3. Enable the HLVD module by setting the HLVDEN bit.
4. Clear the HLVD interrupt flag (PIR2<2>), which may have been set from a previous interrupt.
5. Enable the HLVD interrupt if interrupts are desired by setting the HLVDIE and GIE bits (PIE2<2> and INTCON<7>). An interrupt will not be generated until the IRVST bit is set.

## 24.3 Current Consumption

When the module is enabled, the HLVD comparator and voltage divider are enabled and will consume static current. The total current consumption, when enabled, is specified in electrical specification parameter D022B (Section 28.2 “DC Characteristics”).

Depending on the application, the HLVD module does not need to be operating constantly. To decrease the current requirements, the HLVD circuitry may only need to be enabled for short periods where the voltage is checked. After doing the check, the HLVD module may be disabled.

## 24.4 HLVD Start-up Time

The internal reference voltage of the HLVD module, specified in electrical specification parameter D420 (Section 28.2 “DC Characteristics”), may be used by other internal circuitry, such as the Programmable Brown-out Reset. If the HLVD or other circuits using the voltage reference are disabled to lower the device’s current consumption, the reference voltage circuit will require time to become stable before a low or high-voltage condition can be reliably detected. This start-up time, T<sub>IRVST</sub>, is an interval that is independent of device clock speed. It is specified in electrical specification parameter 36 (Table 28-12).

The HLVD interrupt flag is not enabled until T<sub>IRVST</sub> has expired and a stable reference voltage is reached. For this reason, brief excursions beyond the set point may not be detected during this interval. Refer to Figure 24-2 or Figure 24-3.

FIGURE 24-2: LOW-VOLTAGE DETECT OPERATION (VDIRMAG = 0)



# PIC18F8722 FAMILY

**FIGURE 24-3: HIGH-VOLTAGE DETECT OPERATION (VDIRMAG = 1)**

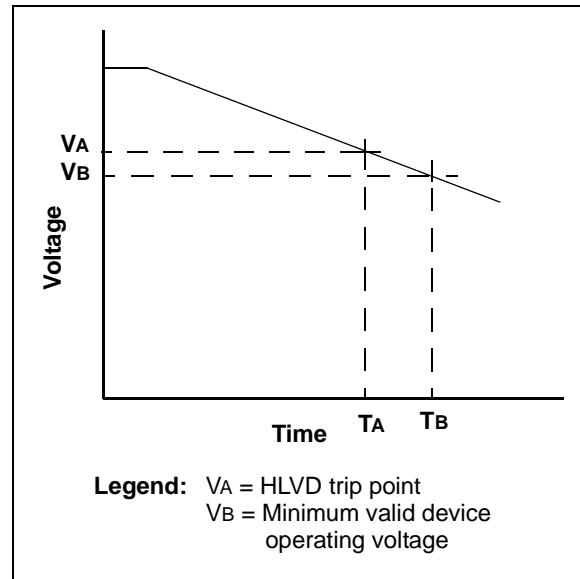


## 24.5 Applications

In many applications, the ability to detect a drop below or rise above a particular threshold is desirable. For example, the HLVD module could be periodically enabled to detect Universal Serial Bus (USB) attach or detach. This assumes the device is powered by a lower voltage source than the USB when detached. An attach would indicate a high-voltage detect from, for example, 3.3V to 5V (the voltage on USB) and vice versa for a detach. This feature could save a design a few extra components and an attach signal (input pin).

For general battery applications, Figure 24-4 shows a possible voltage curve. Over time, the device voltage decreases. When the device voltage reaches voltage V<sub>A</sub>, the HLVD logic generates an interrupt at time T<sub>A</sub>. The interrupt could cause the execution of an ISR, which would allow the application to perform "house-keeping tasks" and perform a controlled shutdown before the device voltage exits the valid operating range at T<sub>B</sub>. The HLVD, thus, would give the application a time window, represented by the difference between T<sub>A</sub> and T<sub>B</sub>, to safely exit.

**FIGURE 24-4: TYPICAL LOW-VOLTAGE DETECT APPLICATION**





# PIC18F8722 FAMILY

## 24.6 Operation During Sleep

When enabled, the HLVD circuitry continues to operate during Sleep. If the device voltage crosses the trip point, the HLVDIF bit will be set and the device will wake-up from Sleep. Device execution will continue from the interrupt vector address if interrupts have been globally enabled.

## 24.7 Effects of a Reset

A device Reset forces all registers to their Reset state. This forces the HLVD module to be turned off.

**TABLE 24-1: REGISTERS ASSOCIATED WITH HIGH/LOW-VOLTAGE DETECT MODULE**

| Name    | Bit 7                 | Bit 6                 | Bit 5  | Bit 4  | Bit 3  | Bit 2  | Bit 1  | Bit 0  | Reset Values on page |
|---------|-----------------------|-----------------------|--------|--------|--------|--------|--------|--------|----------------------|
| HLVDCON | VDIRMAG               | —                     | IRVST  | HLVDEN | HLVDL3 | HLVDL2 | HLVDL1 | HLVDL0 | 58                   |
| INTCON  | GIE/GIEH              | PEIE/GIEL             | TMR0IE | INT0IE | RBIE   | TMR0IF | INT0IF | RBIF   | 57                   |
| PIR2    | OSCFIF                | CMIF                  | —      | EEIF   | BCL1IF | HLVDIF | TMR3IF | CCP2IF | 60                   |
| PIE2    | OSCFIE                | CMIE                  | —      | EEIE   | BCL1IE | HLVDIE | TMR3IE | CCP2IE | 60                   |
| IPR2    | OSCFIP                | CMIP                  | —      | EEIP   | BCL1IP | HLVDIP | TMR3IP | CCP2IP | 60                   |
| TRISA   | TRISA7 <sup>(1)</sup> | TRISA6 <sup>(1)</sup> | TRISA5 | TRISA4 | TRISA3 | TRISA2 | TRISA1 | TRISA0 | 60                   |

**Legend:** — = unimplemented, read as '0'. Shaded cells are unused by the HLVD module.

**Note 1:** PORTA<7:6> and their direction bits are individually configured as port pins based on various primary oscillator modes. When disabled, these bits read as '0'.

# PIC18F8722 FAMILY

---

NOTES:

## 25.0 SPECIAL FEATURES OF THE CPU

The PIC18F8722 family of devices include several features intended to maximize reliability and minimize cost through elimination of external components. These are:

- Oscillator Selection
- Resets:
  - Power-on Reset (POR)
  - Power-up Timer (PWRT)
  - Oscillator Start-up Timer (OST)
  - Brown-out Reset (BOR)
- Interrupts
- Watchdog Timer (WDT)
- Fail-Safe Clock Monitor
- Two-Speed Start-up
- Code Protection
- ID Locations
- In-Circuit Serial Programming

The oscillator can be configured for the application depending on frequency, power, accuracy and cost. All of the options are discussed in detail in **Section 2.0 “Oscillator Configurations”**.

A complete discussion of device Resets and interrupts is available in previous sections of this data sheet.

In addition to their Power-up and Oscillator Start-up Timers provided for Resets, the PIC18F8722 family of devices has a Watchdog Timer, which is either permanently enabled via the Configuration bits or software controlled (if configured as disabled).

The inclusion of an internal RC oscillator also provides the additional benefits of a Fail-Safe Clock Monitor (FSCM) and Two-Speed Start-up. FSCM provides for background monitoring of the peripheral clock and automatic switchover in the event of its failure. Two-Speed Start-up enables code to be executed almost immediately on start-up, while the primary clock source completes its start-up delays.

All of these features are enabled and configured by setting the appropriate Configuration register bits.

## 25.1 Configuration Bits

The Configuration bits can be programmed (read as ‘0’) or left unprogrammed (read as ‘1’) to select various device Configurations. These bits are mapped starting at program memory location 300000h.

The user will note that address 300000h is beyond the user program memory space. In fact, it belongs to the configuration memory space (300000h-3FFFFFFh), which can only be accessed using table reads and table writes.

Programming the Configuration registers is done in a manner similar to programming the Flash memory. The WR bit in the EECON1 register starts a self-timed write to the Configuration register. In normal operation mode, a TBLWT instruction with the TBLPTR pointing to the Configuration register sets up the address and the data for the Configuration register write. Setting the WR bit starts a long write to the Configuration register. The Configuration registers are written a byte at a time. To write or erase a configuration cell, a TBLWT instruction can write a ‘1’ or a ‘0’ into the cell. For additional details on Flash programming, refer to **Section 6.5 “Writing to Flash Program Memory”**.

# PIC18F8722 FAMILY

**TABLE 25-1: CONFIGURATION BITS AND DEVICE IDS**

| File Name |                         | Bit 7                | Bit 6                | Bit 5                | Bit 4                | Bit 3                | Bit 2   | Bit 1                 | Bit 0  | Default/<br>Unprogrammed<br>Value |
|-----------|-------------------------|----------------------|----------------------|----------------------|----------------------|----------------------|---------|-----------------------|--------|-----------------------------------|
| 300001h   | CONFIG1H                | IESO                 | FCMEN                | —                    | —                    | FOSC3                | FOSC2   | FOSC1                 | FOSC0  | 00-- 0111                         |
| 300002h   | CONFIG2L                | —                    | —                    | —                    | BORV1                | BORV0                | BOREN1  | BOREN0                | PWRTEN | ---1 1111                         |
| 300003h   | CONFIG2H                | —                    | —                    | —                    | WDTPS3               | WDTPS2               | WDTPS1  | WDTPS0                | WDTEN  | ---1 1111                         |
| 300004h   | CONFIG3L <sup>(5)</sup> | WAIT                 | BW                   | ABW1                 | ABW0                 | —                    | —       | PM1                   | PM0    | 1111 --11                         |
| 300005h   | CONFIG3H                | MCLR                 | —                    | —                    | —                    | —                    | LPT1OSC | ECCPMX <sup>(5)</sup> | CCP2MX | 1--- -011                         |
| 300006h   | CONFIG4L                | DEBUG                | XINST                | BBSIZ1               | BBSIZ0               | —                    | LVP     | —                     | STVREN | 1000 -1-1                         |
| 300008h   | CONFIG5L                | CP7 <sup>(1)</sup>   | CP6 <sup>(1)</sup>   | CP5 <sup>(2)</sup>   | CP4 <sup>(2)</sup>   | CP3 <sup>(3)</sup>   | CP2     | CP1                   | CP0    | 1111 1111                         |
| 300009h   | CONFIG5H                | CPD                  | CPB                  | —                    | —                    | —                    | —       | —                     | —      | 11-- ----                         |
| 30000Ah   | CONFIG6L                | WRT7 <sup>(1)</sup>  | WRT6 <sup>(1)</sup>  | WRT5 <sup>(2)</sup>  | WRT4 <sup>(2)</sup>  | WRT3 <sup>(3)</sup>  | WRT2    | WRT1                  | WRT0   | 1111 1111                         |
| 30000Bh   | CONFIG6H                | WRWD                 | WRWB                 | WRWC                 | —                    | —                    | —       | —                     | —      | 111- ----                         |
| 30000Ch   | CONFIG7L                | EBRT7 <sup>(1)</sup> | EBRT6 <sup>(1)</sup> | EBTR5 <sup>(2)</sup> | EBTR4 <sup>(2)</sup> | EBTR3 <sup>(3)</sup> | EBTR2   | EBTR1                 | EBTR0  | 1111 1111                         |
| 30000Dh   | CONFIG7H                | —                    | EBTRB                | —                    | —                    | —                    | —       | —                     | —      | -1-- ----                         |
| 3FFFFEh   | DEVID1 <sup>(4)</sup>   | DEV2                 | DEV1                 | DEV0                 | REV4                 | REV3                 | REV2    | REV1                  | REV0   | xxxx xxxx                         |
| 3FFFFFh   | DEVID2 <sup>(4)</sup>   | DEV10                | DEV9                 | DEV8                 | DEV7                 | DEV6                 | DEV5    | DEV4                  | DEV3   | xxxx xxxx                         |

**Legend:** x = unknown, u = unchanged, - = unimplemented, q = value depends on condition.  
Shaded cells are unimplemented, read as '0'.

- Note** 1: Unimplemented in PIC18F6527/6622/6627/8527/8622/8627 devices.  
 2: Unimplemented in PIC18F6527/6622/8527/8622 devices.  
 3: Unimplemented in PIC18F6527/8527 devices.  
 4: See Register 25-13 for DEVID1 values. DEVID registers are read-only and cannot be programmed by the user.  
 5: Unimplemented in PIC18F6527/6622/6627/6722 devices.

# PIC18F8722 FAMILY

## REGISTER 25-1: CONFIG1H: CONFIGURATION REGISTER 1 HIGH (BYTE ADDRESS 300001h)

|       |       |     |     |       |       |       |       |
|-------|-------|-----|-----|-------|-------|-------|-------|
| R/P-0 | R/P-0 | U-0 | U-0 | R/P-0 | R/P-1 | R/P-1 | R/P-1 |
| IESO  | FCMEN | —   | —   | FOSC3 | FOSC2 | FOSC1 | FOSC0 |
| bit 7 |       |     |     |       |       |       | bit 0 |

### Legend:

R = Readable bit                      W = Writable bit                      U = Unimplemented bit, read as '0'  
-n = Value at POR                      '1' = Bit is set                      '0' = Bit is cleared                      x = Bit is unknown

- bit 7            **IESO:** Internal/External Oscillator Switchover bit  
1 = Two-Speed Start-up enabled  
0 = Two-Speed Start-up disabled
- bit 6            **FCMEN:** Fail-Safe Clock Monitor Enable bit  
1 = Fail-Safe Clock Monitor enabled  
0 = Fail-Safe Clock Monitor disabled
- bit 5-4        **Unimplemented:** Read as '0'
- bit 3-0        **FOSC<3:0>:** Oscillator Selection bits  
11xx = External RC oscillator, CLKO function on RA6  
101x = External RC oscillator, CLKO function on RA6  
1001 = Internal oscillator block, CLKO function on RA6, port function on RA7  
1000 = Internal oscillator block, port function on RA6 and RA7  
0111 = External RC oscillator, port function on RA6  
0110 = HS oscillator, PLL enabled (Clock Frequency = 4 x FOSC1)  
0101 = EC oscillator, port function on RA6  
0100 = EC oscillator, CLKO function on RA6  
0011 = External RC oscillator, CLKO function on RA6  
0010 = HS oscillator  
0001 = XT oscillator  
0000 = LP oscillator

# PIC18F8722 FAMILY

## REGISTER 25-2: CONFIG2L: CONFIGURATION REGISTER 2 LOW (BYTE ADDRESS 300002h)

|       |     |     |                      |                      |                       |                       |                       |
|-------|-----|-----|----------------------|----------------------|-----------------------|-----------------------|-----------------------|
| U-0   | U-0 | U-0 | R/P-1                | R/P-1                | R/P-1                 | R/P-1                 | R/P-1                 |
| —     | —   | —   | BORV1 <sup>(1)</sup> | BORV0 <sup>(1)</sup> | BOREN1 <sup>(2)</sup> | BOREN0 <sup>(2)</sup> | PWRTEN <sup>(2)</sup> |
| bit 7 |     |     |                      |                      |                       |                       | bit 0                 |

### Legend:

|                   |                  |                                    |
|-------------------|------------------|------------------------------------|
| R = Readable bit  | W = Writable bit | U = Unimplemented bit, read as '0' |
| -n = Value at POR | '1' = Bit is set | '0' = Bit is cleared               |
|                   |                  | x = Bit is unknown                 |

bit 7-5      **Unimplemented:** Read as '0'

bit 4-3      **BORV<1:0>:** Brown-out Reset Voltage bits<sup>(1)</sup>

11 = Minimum setting

.

.

.

00 = Maximum setting

bit 2-1      **BOREN<1:0>:** Brown-out Reset Enable bits<sup>(2)</sup>

11 = Brown-out Reset enabled in hardware only (SBOREN is disabled)

10 = Brown-out Reset enabled in hardware only and disabled in Sleep mode (SBOREN is disabled)

01 = Brown-out Reset enabled and controlled by software (SBOREN is enabled)

00 = Brown-out Reset disabled in hardware and software

bit 0      **PWRTEN:** Power-up Timer Enable bit<sup>(2)</sup>

1 = PWRT disabled

0 = PWRT enabled

**Note 1:** See Section 28.1 "DC Characteristics: Supply Voltage" for specifications.

**Note 2:** The Power-up Timer is decoupled from Brown-out Reset, allowing these features to be independently controlled.

# PIC18F8722 FAMILY

## REGISTER 25-3: CONFIG2H: CONFIGURATION REGISTER 2 HIGH (BYTE ADDRESS 300003h)

|       |     |     |        |        |        |        |       |
|-------|-----|-----|--------|--------|--------|--------|-------|
| U-0   | U-0 | U-0 | R/P-1  | R/P-1  | R/P-1  | R/P-1  | R/P-1 |
| —     | —   | —   | WDTPS3 | WDTPS2 | WDTPS1 | WDTPS0 | WDTEN |
| bit 7 |     |     |        |        |        |        | bit 0 |

### Legend:

|                   |                  |                                    |
|-------------------|------------------|------------------------------------|
| R = Readable bit  | W = Writable bit | U = Unimplemented bit, read as '0' |
| -n = Value at POR | '1' = Bit is set | '0' = Bit is cleared               |
|                   |                  | x = Bit is unknown                 |

bit 7-5      **Unimplemented:** Read as '0'

bit 4-1      **WDTPS<3:0>:** Watchdog Timer Postscale Select bits

1111 = 1:32,768  
 1110 = 1:16,384  
 1101 = 1:8,192  
 1100 = 1:4,096  
 1011 = 1:2,048  
 1010 = 1:1,024  
 1001 = 1:512  
 1000 = 1:256  
 0111 = 1:128  
 0110 = 1:64  
 0101 = 1:32  
 0100 = 1:16  
 0011 = 1:8  
 0010 = 1:4  
 0001 = 1:2  
 0000 = 1:1

bit 0      **WDTEN:** Watchdog Timer Enable bit

1 = WDT enabled  
 0 = WDT disabled (control is placed on the SWDTEN bit)

# PIC18F8722 FAMILY

## REGISTER 25-4: CONFIG3L: CONFIGURATION REGISTER 3 LOW (BYTE ADDRESS 300004h)<sup>(1)</sup>

|       |       |       |       |     |     |       |       |
|-------|-------|-------|-------|-----|-----|-------|-------|
| R/P-1 | R/P-1 | R/P-1 | R/P-1 | U-0 | U-0 | R/P-1 | R/P-1 |
| WAIT  | BW    | ABW1  | ABW0  | —   | —   | PM1   | PM0   |
| bit 7 |       |       |       |     |     |       | bit 0 |

### Legend:

R = Readable bit

W = Writable bit

U = Unimplemented bit, read as '0'

-n = Value at POR

'1' = Bit is set

'0' = Bit is cleared

x = Bit is unknown

bit 7

**WAIT:** External Bus Data Wait Enable bit

1 = Wait selections are unavailable for table reads and table writes

0 = Wait selections for table reads and table writes are determined by the WAIT<1:0> bits

bit 6

**BW:** Data Bus Width Select bit

1 = 16-bit External Bus mode

0 = 8-bit External Bus mode

bit 5-4

**ABW<1:0>:** Address Bus Width Select bits

11 = 20-bit address bus

10 = 16-bit address bus

01 = 12-bit address bus

00 = 8-bit address bus

bit 3-2

**Unimplemented:** Read as '0'

bit 1-0

**PM<1:0>:** Processor Data Memory Mode Select bits

11 = Microcontroller mode

10 = Microprocessor mode

01 = Microprocessor with Boot Block mode

00 = Extended Microcontroller mode

**Note 1:** This register is unimplemented in PIC18F6527/6622/6627/6722 devices.



# PIC18F8722 FAMILY

## REGISTER 25-5: CONFIG3H: CONFIGURATION REGISTER 3 HIGH (BYTE ADDRESS 300005h)

|       |     |     |     |     |         |                       |        |
|-------|-----|-----|-----|-----|---------|-----------------------|--------|
| R/P-1 | U-0 | U-0 | U-0 | U-0 | R/P-0   | R/P-1                 | R/P-1  |
| MCLRE | —   | —   | —   | —   | LPT1OSC | ECCPMX <sup>(1)</sup> | CCP2MX |
| bit 7 |     |     |     |     |         |                       | bit 0  |

### Legend:

|                   |                  |                                    |
|-------------------|------------------|------------------------------------|
| R = Readable bit  | W = Writable bit | U = Unimplemented bit, read as '0' |
| -n = Value at POR | '1' = Bit is set | '0' = Bit is cleared               |
|                   |                  | x = Bit is unknown                 |

bit 7 **MCLRE:**  $\overline{\text{MCLR}}$  Pin Enable bit

1 =  $\overline{\text{MCLR}}$  pin enabled; RG5 input pin disabled

0 = RG5 input pin enabled;  $\overline{\text{MCLR}}$  disabled

bit 6-3 **Unimplemented:** Read as '0'

bit 2 **LPT1OSC:** Low-Power Timer1 Oscillator Enable bit

1 = Timer1 configured for low-power operation

0 = Timer1 configured for higher power operation

bit 1 **ECCPMX:** ECCP MUX bit<sup>(1)</sup>

1 = ECCP1/3 (P1B/P1C/P3B/P3C) are multiplexed onto RE6, RE5, RE4 and RE3 respectively

0 = ECCP1/3 (P1B/P1C/P3B/P3C) are multiplexed onto RH7, RH6, RH5 and RH4 respectively

bit 0 **CCP2MX:** CCP2 MUX bit

1 = ECCP2 input/output is multiplexed with RC1

0 = ECCP2 input/output is multiplexed with RB3 in Extended Microcontroller, Microprocessor or Microprocessor with Boot Block mode<sup>(1)</sup>. ECCP2 is multiplexed with RE7 in Microcontroller mode.

**Note 1:** This feature is only available on PIC18F8527/8622/8627/8722 devices.

# PIC18F8722 FAMILY

## REGISTER 25-6: CONFIG4L: CONFIGURATION REGISTER 4 LOW (BYTE ADDRESS 300006h)

|                           |       |        |        |     |       |     |        |
|---------------------------|-------|--------|--------|-----|-------|-----|--------|
| R/P-1                     | R/P-0 | R/P-0  | R/P-0  | U-0 | R/P-1 | U-0 | R/P-1  |
| $\overline{\text{DEBUG}}$ | XINST | BBSIZ1 | BBSIZ0 | —   | LVP   | —   | STVREN |
| bit 7                     |       |        |        |     |       |     | bit 0  |

### Legend:

R = Readable bit

W = Writable bit

U = Unimplemented bit, read as '0'

-n = Value at POR

'1' = Bit is set

'0' = Bit is cleared

x = Bit is unknown

- bit 7      **DEBUG:** Background Debugger Enable bit  
 1 = Background debugger disabled, RB6 and RB7 configured as general purpose I/O pins  
 0 = Background debugger enabled, RB6 and RB7 are dedicated to In-Circuit Debug
- bit 6      **XINST:** Extended Instruction Set Enable bit  
 1 = Instruction set extension and Indexed Addressing mode enabled  
 0 = Instruction set extension and Indexed Addressing mode disabled (Legacy mode)
- bit 5-4    **BBSIZ<1:0>:** Boot Block Size Select bits  
 11 = 4K words (8 Kbytes) boot block size  
 10 = 4K words (8 Kbytes) boot block size  
 01 = 2K words (4 Kbytes) boot block size  
 00 = 1K word (2 Kbytes) boot block size
- bit 3      **Unimplemented:** Read as '0'
- bit 2      **LVP:** Single-Supply ICSP™ Enable bit  
 1 = Single-Supply ICSP enabled  
 0 = Single-Supply ICSP disabled
- bit 1      **Unimplemented:** Read as '0'
- bit 0      **STVREN:** Stack Full/Underflow Reset Enable bit  
 1 = Stack full/underflow will cause Reset  
 0 = Stack full/underflow will not cause Reset

# PIC18F8722 FAMILY

## REGISTER 25-7: CONFIG5L: CONFIGURATION REGISTER 5 LOW (BYTE ADDRESS 300008h)

| R/C-1              | R/C-1              | R/C-1              | R/C-1              | R/C-1              | R/C-1 | R/C-1 | R/C-1 |
|--------------------|--------------------|--------------------|--------------------|--------------------|-------|-------|-------|
| CP7 <sup>(1)</sup> | CP6 <sup>(1)</sup> | CP5 <sup>(2)</sup> | CP5 <sup>(2)</sup> | CP3 <sup>(3)</sup> | CP2   | CP1   | CP0   |
| bit 7              |                    |                    |                    |                    |       |       | bit 0 |

### Legend:

|                   |                  |                                    |
|-------------------|------------------|------------------------------------|
| R = Readable bit  | W = Writable bit | U = Unimplemented bit, read as '0' |
| -n = Value at POR | '1' = Bit is set | '0' = Bit is cleared               |
|                   |                  | x = Bit is unknown                 |

- bit 7      **CP7:** Code Protection bit<sup>(1)</sup>  
 1 = Block 7 (01C000-01FFFFh) not code-protected  
 0 = Block 7 (01C000-01FFFFh) code-protected
- bit 6      **CP6:** Code Protection bit<sup>(1)</sup>  
 1 = Block 6 (01BFFF-018000h) not code-protected  
 0 = Block 6 (01BFFF-018000h) code-protected
- bit 5      **CP5:** Code Protection bit<sup>(2)</sup>  
 1 = Block 5 (014000-017FFFh) not code-protected  
 0 = Block 5 (014000-017FFFh) code-protected
- bit 4      **CP4:** Code Protection bit<sup>(2)</sup>  
 1 = Block 4 (010000-013FFFh) not code-protected  
 0 = Block 4 (010000-013FFFh) code-protected
- bit 3      **CP3:** Code Protection bit<sup>(3)</sup>  
 1 = Block 3 (00C000-00FFFFh) not code-protected  
 0 = Block 3 (00C000-00FFFFh) code-protected
- bit 2      **CP2:** Code Protection bit  
 1 = Block 2 (008000-00BFFFh) not code-protected  
 0 = Block 2 (008000-00BFFFh) code-protected
- bit 1      **CP1:** Code Protection bit  
 1 = Block 1 (004000-007FFFh) not code-protected  
 0 = Block 1 (004000-007FFFh) code-protected
- bit 0      **CP0:** Code Protection bit  
 1 = Block 0 (000800, 001000 or 002000<sup>(4)</sup>-003FFFh) not code-protected  
 0 = Block 0 (000800, 001000 or 002000<sup>(4)</sup>-003FFFh) code-protected

- Note 1:** Unimplemented in PIC18F6527/6622/6627/8527/8622/8627 devices; maintain this bit set.  
**Note 2:** Unimplemented in PIC18F6527/6622/8527/8622 devices; maintain this bit set.  
**Note 3:** Unimplemented in PIC18F6527/8527 devices; maintain this bit set.  
**Note 4:** Boot block size is determined by the BBSIZ<1:0> bits in CONFIG4L.

# PIC18F8722 FAMILY

## REGISTER 25-8: CONFIG5H: CONFIGURATION REGISTER 5 HIGH (BYTE ADDRESS 300009h)

|       |       |     |     |     |     |     |       |
|-------|-------|-----|-----|-----|-----|-----|-------|
| R/C-1 | R/C-1 | U-0 | U-0 | U-0 | U-0 | U-0 | U-0   |
| CPD   | CPB   | —   | —   | —   | —   | —   | —     |
| bit 7 |       |     |     |     |     |     | bit 0 |

### Legend:

R = Readable bit

W = Writable bit

U = Unimplemented bit, read as '0'

-n = Value at POR

'1' = Bit is set

'0' = Bit is cleared

x = Bit is unknown

bit 7      **CPD:** Data EEPROM Code Protection bit

1 = Data EEPROM not code-protected

0 = Data EEPROM code-protected

bit 6      **CPB:** Boot Block Code Protection bit

1 = Boot block (000000-0007FFh) not code-protected

0 = Boot block (000000-0007FFh) code-protected

bit 5-0      **Unimplemented:** Read as '0'

# PIC18F8722 FAMILY

## REGISTER 25-9: CONFIG6L: CONFIGURATION REGISTER 6 LOW (BYTE ADDRESS 3000Ah)

| R/C-1               | R/C-1               | R/C-1               | R/C-1               | R/C-1               | R/C-1 | R/C-1 | R/C-1 |
|---------------------|---------------------|---------------------|---------------------|---------------------|-------|-------|-------|
| WRT7 <sup>(1)</sup> | WRT6 <sup>(1)</sup> | WRT5 <sup>(2)</sup> | WRT4 <sup>(2)</sup> | WRT3 <sup>(3)</sup> | WRT2  | WRT1  | WRT0  |
| bit 7               |                     |                     |                     |                     |       |       | bit 0 |

### Legend:

|                   |                  |                                    |
|-------------------|------------------|------------------------------------|
| R = Readable bit  | W = Writable bit | U = Unimplemented bit, read as '0' |
| -n = Value at POR | '1' = Bit is set | '0' = Bit is cleared               |
|                   |                  | x = Bit is unknown                 |

- bit 7      **WRT7:** Write Protection bit<sup>(1)</sup>  
 1 = Block 7 (01C000-01FFFFh) not write-protected  
 0 = Block 7 (01C000-01FFFFh) write-protected
- bit 6      **WRT6:** Write Protection bit<sup>(1)</sup>  
 1 = Block 6 (01BFFF-018000h) not write-protected  
 0 = Block 6 (01BFFF-018000h) write-protected
- bit 5      **WRT5:** Write Protection bit<sup>(2)</sup>  
 1 = Block 5 (014000-017FFFh) not write-protected  
 0 = Block 5 (014000-017FFFh) write-protected
- bit 4      **WRT4:** Write Protection bit<sup>(2)</sup>  
 1 = Block 4 (010000-013FFFh) not write-protected  
 0 = Block 4 (010000-013FFFh) write-protected
- bit 3      **WRT3:** Write Protection bit<sup>(3)</sup>  
 1 = Block 3 (00C000-00FFFFh) not write-protected  
 0 = Block 3 (00C000-00FFFFh) write-protected
- bit 2      **WRT2:** Write Protection bit  
 1 = Block 2 (008000-00BFFFh) not write-protected  
 0 = Block 2 (008000-00BFFFh) write-protected
- bit 1      **WRT1:** Write Protection bit  
 1 = Block 1 (004000-007FFFh) not write-protected  
 0 = Block 1 (004000-007FFFh) write-protected
- bit 0      **WRT0:** Write Protection bit  
 1 = Block 0 (000800, 001000 or 002000<sup>(4)</sup>-003FFFh) not write-protected  
 0 = Block 0 (000800, 001000 or 002000<sup>(4)</sup>-003FFFh) write-protected

- Note 1:** Unimplemented in PIC18F6527/6622/6627/8527/8622/8627 devices; maintain this bit set.  
**Note 2:** Unimplemented in PIC18F6527/6622/8527/8622 devices; maintain this bit set.  
**Note 3:** Unimplemented in PIC18F6527/8527 devices; maintain this bit set.  
**Note 4:** Boot block size is determined by the BBSIZ<1:0> bits in CONFIG4L.

# PIC18F8722 FAMILY

## REGISTER 25-10: CONFIG6H: CONFIGURATION REGISTER 6 HIGH (BYTE ADDRESS 30000Bh)

|       |       |                     |     |     |     |     |       |
|-------|-------|---------------------|-----|-----|-----|-----|-------|
| R/C-1 | R/C-1 | R-1                 | U-0 | U-0 | U-0 | U-0 | U-0   |
| WRTD  | WRTB  | WRTC <sup>(2)</sup> | —   | —   | —   | —   | —     |
| bit 7 |       |                     |     |     |     |     | bit 0 |

### Legend:

R = Readable bit                      W = Writable bit                      U = Unimplemented bit, read as '0'  
-n = Value at POR                      '1' = Bit is set                      '0' = Bit is cleared                      x = Bit is unknown

- bit 7            **WRTD:** Data EEPROM Write Protection bit  
                  1 = Data EEPROM not write-protected  
                  0 = Data EEPROM write-protected
- bit 6            **WRTB:** Boot Block Write Protection bit  
                  1 = Boot block (000000-007FFF, 000FFF or 001FFFh<sup>(1)</sup>) not write-protected  
                  0 = Boot block (000000-007FFF, 000FFF or 001FFFh<sup>(1)</sup>) write-protected
- bit 5            **WRTC:** Configuration Register Write Protection bit<sup>(2)</sup>  
                  1 = Configuration registers (300000-3000FFh) not write-protected  
                  0 = Configuration registers (300000-3000FFh) write-protected
- bit 4-0        **Unimplemented:** Read as '0'

- Note 1:** Boot block size is determined by the BBSIZ<1:0> bits in CONFIG4L.  
**Note 2:** This bit is read-only in normal execution mode; it can be written only in Program mode.

# PIC18F8722 FAMILY

## REGISTER 25-11: CONFIG7L: CONFIGURATION REGISTER 7 LOW (BYTE ADDRESS 3000Ch)

| R/C-1                | R/C-1                | R/C-1                | R/C-1                | R/C-1                | R/C-1 | R/C-1 | R/C-1 |
|----------------------|----------------------|----------------------|----------------------|----------------------|-------|-------|-------|
| EBTR7 <sup>(1)</sup> | EBTR6 <sup>(1)</sup> | EBTR5 <sup>(2)</sup> | EBTR4 <sup>(2)</sup> | EBTR3 <sup>(3)</sup> | EBTR2 | EBTR1 | EBTR0 |
| bit 7                |                      |                      |                      |                      |       |       | bit 0 |

### Legend:

|                   |                  |                                    |
|-------------------|------------------|------------------------------------|
| R = Readable bit  | W = Writable bit | U = Unimplemented bit, read as '0' |
| -n = Value at POR | '1' = Bit is set | '0' = Bit is cleared               |
|                   |                  | x = Bit is unknown                 |

- bit 7      **EBTR7:** Table Read Protection bit<sup>(1)</sup>  
 1 = Block 7 (01C000-01FFFFh) not protected from table reads executed in other blocks  
 0 = Block 7 (01C000-01FFFFh) protected from table reads executed in other blocks
- bit 6      **EBTR6:** Table Read Protection bit<sup>(1)</sup>  
 1 = Block 6 (018000-01BFFFh) not protected from table reads executed in other blocks  
 0 = Block 6 (018000-01BFFFh) protected from table reads executed in other blocks
- bit 5      **EBTR5:** Table Read Protection bit<sup>(2)</sup>  
 1 = Block 5 (014000-017FFFh) not protected from table reads executed in other blocks  
 0 = Block 5 (014000-017FFFh) protected from table reads executed in other blocks
- bit 4      **EBTR4:** Table Read Protection bit<sup>(2)</sup>  
 1 = Block 4 (010000-013FFFh) not protected from table reads executed in other blocks  
 0 = Block 4 (010000-013FFFh) protected from table reads executed in other blocks
- bit 3      **EBTR3:** Table Read Protection bit<sup>(3)</sup>  
 1 = Block 3 (00C000-00FFFFh) not protected from table reads executed in other blocks  
 0 = Block 3 (00C000-00FFFFh) protected from table reads executed in other blocks
- bit 2      **EBTR2:** Table Read Protection bit  
 1 = Block 2 (008000-00BFFFh) not protected from table reads executed in other blocks  
 0 = Block 2 (008000-00BFFFh) protected from table reads executed in other blocks
- bit 1      **EBTR1:** Table Read Protection bit  
 1 = Block 1 (004000-007FFFh) not protected from table reads executed in other blocks  
 0 = Block 1 (004000-007FFFh) protected from table reads executed in other blocks
- bit 0      **EBTR0:** Table Read Protection bit  
 1 = Block 0 (000800, 001000 or 002000<sup>(4)</sup>-003FFFh) not protected from table reads executed in other blocks  
 0 = Block 0 (000800, 001000 or 002000<sup>(4)</sup>-003FFFh) protected from table reads executed in other blocks

**Note 1:** Unimplemented in PIC18F6527/6622/6627/8527/8622/8627 devices; maintain this bit set.

**Note 2:** Unimplemented in PIC18F6527/6622/8527/8622 devices; maintain this bit set.

**Note 3:** Unimplemented in PIC18F6527/8527 devices; maintain this bit set.

**Note 4:** Unimplemented in PIC18F6527/8527 devices; maintain this bit set.

# PIC18F8722 FAMILY

## REGISTER 25-12: CONFIG7H: CONFIGURATION REGISTER 7 HIGH (BYTE ADDRESS 30000Dh)

|       |       |     |     |     |     |     |       |
|-------|-------|-----|-----|-----|-----|-----|-------|
| U-0   | R/C-1 | U-0 | U-0 | U-0 | U-0 | U-0 | U-0   |
| —     | EBTRB | —   | —   | —   | —   | —   | —     |
| bit 7 |       |     |     |     |     |     | bit 0 |

### Legend:

R = Readable bit

W = Writable bit

U = Unimplemented bit, read as '0'

-n = Value at POR

'1' = Bit is set

'0' = Bit is cleared

x = Bit is unknown

bit 7      **Unimplemented:** Read as '0'

bit 6      **EBTRB:** Boot Block Table Read Protection bit

1 = Boot block (000000-007FFF, 000FFF or 001FFFh<sup>(1)</sup>) not protected from table reads executed in other blocks

0 = Boot block (000000-007FFF, 000FFF or 001FFFh<sup>(1)</sup>) protected from table reads executed in other blocks

bit 5-0      **Unimplemented:** Read as '0'

**Note 1:** Boot block size is determined by the BBSIZ<1:0> bits in CONFIG4L.



# PIC18F8722 FAMILY

## REGISTER 25-13: DEVID1: DEVICE ID REGISTER 1 FOR THE PIC18F8722 FAMILY

|       |      |      |      |      |      |      |       |
|-------|------|------|------|------|------|------|-------|
| R     | R    | R    | R    | R    | R    | R    | R     |
| DEV2  | DEV1 | DEV0 | REV4 | REV3 | REV2 | REV1 | REV0  |
| bit 7 |      |      |      |      |      |      | bit 0 |

### Legend:

R = Readable bit                      W = Writable bit                      U = Unimplemented bit, read as '0'  
-n = Value at POR                      '1' = Bit is set                      '0' = Bit is cleared                      x = Bit is unknown

bit 7-5                      **DEV<2:0>**: Device ID bits

001 = PIC18F8722  
111 = PIC18F8627  
101 = PIC18F8622  
011 = PIC18F8527  
000 = PIC18F6722  
110 = PIC18F6627  
100 = PIC18F6622  
010 = PIC18F6527

bit 4-0                      **REV<4:0>**: Revision ID bits

These bits are used to indicate the device revision.

## REGISTER 25-14: DEVID2: DEVICE ID REGISTER 2 FOR THE PIC18F8722 FAMILY

|                      |                     |                     |                     |                     |                     |                     |                     |
|----------------------|---------------------|---------------------|---------------------|---------------------|---------------------|---------------------|---------------------|
| R                    | R                   | R                   | R                   | R                   | R                   | R                   | R                   |
| DEV10 <sup>(1)</sup> | DEV9 <sup>(1)</sup> | DEV8 <sup>(1)</sup> | DEV7 <sup>(1)</sup> | DEV6 <sup>(1)</sup> | DEV5 <sup>(1)</sup> | DEV4 <sup>(1)</sup> | DEV3 <sup>(1)</sup> |
| bit 7                |                     |                     |                     |                     |                     |                     | bit 0               |

### Legend:

R = Readable bit                      W = Writable bit                      U = Unimplemented bit, read as '0'  
-n = Value at POR                      '1' = Bit is set                      '0' = Bit is cleared                      x = Bit is unknown

bit 7-0                      **DEV<10:3>**: Device ID bits<sup>(1)</sup>

These bits are used with the DEV<2:0> bits in the Device ID Register 1 to identify the part number.

0001 0100 = PIC18F6722/8722 devices  
0001 0011 = PIC18F6527/6622/6627/8527/8622/8627 devices

**Note 1:** These values for DEV<10:3> may be shared with other devices. The specific device is always identified by using the entire DEV<10:0> bit sequence.

# PIC18F8722 FAMILY

## 25.2 Watchdog Timer (WDT)

For the PIC18F8722 family of devices, the WDT is driven by the INTRC source. When the WDT is enabled, the clock source is also enabled. The nominal WDT period is 4 ms and has the same stability as the INTRC oscillator.

The 4 ms period of the WDT is multiplied by a 16-bit postscaler. Any output of the WDT postscaler is selected by a multiplexor, controlled by bits in Configuration Register 2H. Available periods range from 4 ms to 131.072 seconds (2.18 minutes). The WDT and postscaler are cleared when any of the following events occur: a SLEEP or CLRWDT instruction is executed, the IRCF bits (OSCCON<6:4>) are changed or a clock failure has occurred.

**Note 1:** The CLRWDT and SLEEP instructions clear the WDT and postscaler counts when executed.

**2:** Changing the setting of the IRCF bits (OSCCON<6:4>) clears the WDT and postscaler counts.

**3:** When a CLRWDT instruction is executed, the postscaler count will be cleared.

### 25.2.1 CONTROL REGISTER

Register 25-15 shows the WDTCON register. This is a readable and writable register which contains a control bit that allows software to override the WDT enable Configuration bit, but only if the Configuration bit has disabled the WDT.

**FIGURE 25-1: WDT BLOCK DIAGRAM**



# PIC18F8722 FAMILY

## REGISTER 25-15: WDTCON: WATCHDOG TIMER CONTROL REGISTER

|       |     |     |     |     |     |     |                       |
|-------|-----|-----|-----|-----|-----|-----|-----------------------|
| U-0   | U-0 | U-0 | U-0 | U-0 | U-0 | U-0 | R/W-0                 |
| —     | —   | —   | —   | —   | —   | —   | SWDTEN <sup>(1)</sup> |
| bit 7 |     |     |     |     |     |     | bit 0                 |

### Legend:

R = Readable bit                      W = Writable bit                      U = Unimplemented bit, read as '0'  
 -n = Value at POR                      '1' = Bit is set                      '0' = Bit is cleared                      x = Bit is unknown

bit 7-1                      **Unimplemented:** Read as '0'  
 bit 0                      **SWDTEN:** Software Controlled Watchdog Timer Enable bit<sup>(1)</sup>  
                                     1 = Watchdog Timer is on  
                                     0 = Watchdog Timer is off

**Note 1:** This bit has no effect if the Configuration bit, WDTEN, is enabled.

**TABLE 25-2: SUMMARY OF WATCHDOG TIMER REGISTERS**

| Name   | Bit 7 | Bit 6  | Bit 5 | Bit 4           | Bit 3           | Bit 2           | Bit 1            | Bit 0            | Reset Values on page |
|--------|-------|--------|-------|-----------------|-----------------|-----------------|------------------|------------------|----------------------|
| RCON   | IPEN  | SBOREN | —     | $\overline{RI}$ | $\overline{TO}$ | $\overline{PD}$ | $\overline{POR}$ | $\overline{BOR}$ | 56                   |
| WDTCON | —     | —      | —     | —               | —               | —               | —                | SWDTEN           | 58                   |

**Legend:** — = unimplemented, read as '0'. Shaded cells are not used by the Watchdog Timer.

# PIC18F8722 FAMILY

## 25.3 Two-Speed Start-up

The Two-Speed Start-up feature helps to minimize the latency period from oscillator start-up to code execution by allowing the microcontroller to use the INTOSC oscillator as a clock source until the primary clock source is available. It is enabled by setting the IESO Configuration bit.

Two-Speed Start-up should be enabled only if the primary oscillator mode is LP, XT, HS or HSPLL (crystal-based modes). Other sources do not require an OST start-up delay; for these, Two-Speed Start-up should be disabled.

When enabled, Resets and wake-ups from Sleep mode cause the device to configure itself to run from the internal oscillator block as the clock source, following the time-out of the Power-up Timer after a Power-on Reset is enabled. This allows almost immediate code execution while the primary oscillator starts and the OST is running. Once the OST times out, the device automatically switches to PRI\_RUN mode.

To use a higher clock speed on wake-up, the INTOSC or postscaler clock sources can be selected to provide a higher clock speed by setting bits IRCF<2:0> immediately after Reset. For wake-ups from Sleep, the INTOSC or postscaler clock sources can be selected by setting the IRCF2:0> bits prior to entering Sleep mode.

In all other power-managed modes, Two-Speed Start-up is not used. The device will be clocked by the currently selected clock source until the primary clock source becomes available. The setting of the IESO bit is ignored.

### 25.3.1 SPECIAL CONSIDERATIONS FOR USING TWO-SPEED START-UP

While using the INTOSC oscillator in Two-Speed Start-up, the device still obeys the normal command sequences for entering power-managed modes, including multiple SLEEP instructions (refer to **Section 3.1.4 "Multiple Sleep Commands"**). In practice, this means that user code can change the SCS<1:0> bit settings or issue SLEEP instructions before the OST times out. This would allow an application to briefly wake-up, perform routine "housekeeping" tasks and return to Sleep before the device starts to operate from the primary oscillator.

User code can also check if the primary clock source is currently providing the device clocking by checking the status of the OST bit (OSCCON<3>). If the bit is set, the primary oscillator is providing the clock. Otherwise, the internal oscillator block is providing the clock during wake-up from Reset or Sleep mode.

FIGURE 25-2: TIMING TRANSITION FOR TWO-SPEED START-UP (INTOSC TO HSPLL)



## 25.4 Fail-Safe Clock Monitor

The Fail-Safe Clock Monitor (FSCM) allows the microcontroller to continue operation in the event of an external oscillator failure by automatically switching the device clock to the internal oscillator block. The FSCM function is enabled by setting the FCMEN Configuration bit.

When FSCM is enabled, the INTRC oscillator runs at all times to monitor clocks to peripherals and provide a backup clock in the event of a clock failure. Clock monitoring (shown in Figure 25-3) is accomplished by creating a sample clock signal, which is the INTRC output divided by 64. This allows ample time between FSCM sample clocks for a peripheral clock edge to occur. The peripheral device clock and the sample clock are presented as inputs to the Clock Monitor latch (CM). The CM is set on the falling edge of the device clock source, but cleared on the rising edge of the sample clock.

**FIGURE 25-3: FSCM BLOCK DIAGRAM**



Clock failure is tested for on the falling edge of the sample clock. If a sample clock falling edge occurs while CM is still set, a clock failure has been detected (Figure 25-4). This causes the following:

- the FSCM generates an oscillator fail interrupt by setting bit, OSCFIF (PIR2<7>);
- the device clock source is switched to the internal oscillator block (OSCCON is not updated to show the current clock source – this is the fail-safe condition) and
- the WDT is reset.

During switchover, the postscaler frequency from the internal oscillator block may not be sufficiently stable for timing sensitive applications. In these cases, it may be desirable to select another clock configuration and enter an alternate power-managed mode. This can be done to attempt a partial recovery or execute a controlled shut-down. See **Section 3.1.4 “Multiple Sleep Commands”** and **Section 25.3.1 “Special Considerations for Using Two-Speed Start-up”** for more details.

To use a higher clock speed on wake-up, the INTOSC or postscaler clock sources can be selected to provide a higher clock speed by setting bits, IRCF<2:0>, immediately after Reset. For wake-ups from Sleep, the INTOSC or postscaler clock sources can be selected by setting the IRCF<2:0> bits prior to entering Sleep mode.

The FSCM will detect failures of the primary or secondary clock sources only. If the internal oscillator block fails, no failure would be detected, nor would any action be possible.

### 25.4.1 FSCM AND THE WATCHDOG TIMER

Both the FSCM and the WDT are clocked by the INTRC oscillator. Since the WDT operates with a separate divider and counter, disabling the WDT has no effect on the operation of the INTRC oscillator when the FSCM is enabled.

As already noted, the clock source is switched to the INTOSC clock when a clock failure is detected. Depending on the frequency selected by the IRCF<2:0> bits, this may mean a substantial change in the speed of code execution. If the WDT is enabled with a small prescale value, a decrease in clock speed allows a WDT time-out to occur and a subsequent device Reset. For this reason, fail-safe clock events also reset the WDT and postscaler, allowing it to start timing from when execution speed was changed and decreasing the likelihood of an erroneous time-out.

### 25.4.2 EXITING FAIL-SAFE OPERATION

The fail-safe condition is terminated by either a device Reset or by entering a power-managed mode. On Reset, the controller starts the primary clock source specified in Configuration Register 1H (with any required start-up delays that are required for the oscillator mode, such as OST or PLL timer). The INTOSC multiplexor provides the device clock until the primary clock source becomes ready (similar to a Two-Speed Start-up). The clock source is then switched to the primary clock (indicated by the OSTS bit in the OSCCON register becoming set). The Fail-Safe Clock Monitor then resumes monitoring the peripheral clock.

The primary clock source may never become ready during start-up. In this case, operation is clocked by the INTOSC multiplexor. The OSCCON register will remain in its Reset state until a power-managed mode is entered.

# PIC18F8722 FAMILY

FIGURE 25-4: FSCM TIMING DIAGRAM



### 25.4.3 FSCM INTERRUPTS IN POWER-MANAGED MODES

By entering a power-managed mode, the clock multiplexer selects the clock source selected by the OSCCON register. Fail-Safe Monitoring of the power-managed clock source resumes in the power-managed mode.

If an oscillator failure occurs during power-managed operation, the subsequent events depend on whether or not the oscillator failure interrupt is enabled. If enabled (OSCFIF = 1), code execution will be clocked by the INTOSC multiplexer. An automatic transition back to the failed clock source will not occur.

If the interrupt is disabled, subsequent interrupts while in Idle mode will cause the CPU to begin executing instructions while being clocked by the INTOSC source.

### 25.4.4 POR OR WAKE FROM SLEEP

The FSCM is designed to detect oscillator failure at any point after the device has exited Power-on Reset (POR) or low-power Sleep mode. When the primary device clock is EC, RC or INTRC modes, monitoring can begin immediately following these events.

For oscillator modes involving a crystal or resonator (HS, HSPLL, LP or XT), the situation is somewhat different. Since the oscillator may require a start-up time considerably longer than the FSCM sample clock time, a false clock failure may be detected. To prevent this, the internal oscillator block is automatically configured as the device clock and functions until the primary clock is stable (the OST and PLL timers have timed out). This is identical to Two-Speed Start-up mode. Once the primary clock is stable, the INTRC returns to its role as the FSCM source.

**Note:** The same logic that prevents false oscillator failure interrupts on POR, or wake from Sleep, will also prevent the detection of the oscillator's failure to start at all following these events. This can be avoided by monitoring the OSTS bit and using a timing routine to determine if the oscillator is taking too long to start. Even so, no oscillator failure interrupt will be flagged.

As noted in **Section 25.3.1 "Special Considerations for Using Two-Speed Start-up"**, it is also possible to select another clock configuration and enter an alternate power-managed mode while waiting for the primary clock to become stable. When the new power-managed mode is selected, the primary clock is disabled.

# PIC18F8722 FAMILY

## 25.5 Program Verification and Code Protection

The user program memory is divided into four blocks for PIC18F6527/8527 devices, five blocks for PIC18F6622/8622 devices, six blocks for PIC18F6722/8722 devices and eight blocks for PIC18F6822/8822 devices. One of these is a boot block of 2, 4 or 8 Kbytes. The remainder of the memory is divided into blocks on binary boundaries.

Each of the blocks has three code protection bits associated with them. They are:

- Code-Protect bit (CPn)
- Write-Protect bit (WRTn)
- External Block Table Read bit (EBTRn)

Figure 25-5 shows the program memory organization for 48, 64, 96 and 128-Kbyte devices and the specific code protection bit associated with each block. The actual locations of the bits are summarized in Table 25-3.

**FIGURE 25-5: CODE-PROTECTED PROGRAM MEMORY FOR THE PIC18F8722 FAMILY**



# PIC18F8722 FAMILY

**TABLE 25-3: SUMMARY OF CODE PROTECTION REGISTERS**

| File Name        | Bit 7                | Bit 6                | Bit 5                | Bit 4                | Bit 3                | Bit 2 | Bit 1 | Bit 0 |
|------------------|----------------------|----------------------|----------------------|----------------------|----------------------|-------|-------|-------|
| 300008h CONFIG5L | CP7 <sup>(1)</sup>   | CP6 <sup>(1)</sup>   | CP5 <sup>(2)</sup>   | CP4 <sup>(2)</sup>   | CP3 <sup>(3)</sup>   | CP2   | CP1   | CP0   |
| 300009h CONFIG5H | CPD                  | CPB                  | —                    | —                    | —                    | —     | —     | —     |
| 30000Ah CONFIG6L | WRT7 <sup>(1)</sup>  | WRT6 <sup>(1)</sup>  | WRT5 <sup>(2)</sup>  | WRT4 <sup>(2)</sup>  | WRT3 <sup>(3)</sup>  | WRT2  | WRT1  | WRT0  |
| 30000Bh CONFIG6H | WRTD                 | WRTB                 | WRTC                 | —                    | —                    | —     | —     | —     |
| 30000Ch CONFIG7L | EBRT7 <sup>(1)</sup> | EBRT6 <sup>(1)</sup> | EBTR5 <sup>(2)</sup> | EBTR4 <sup>(2)</sup> | EBTR3 <sup>(3)</sup> | EBTR2 | EBTR1 | EBTR0 |
| 30000Dh CONFIG7H | —                    | EBTRB                | —                    | —                    | —                    | —     | —     | —     |

**Legend:** Shaded cells are unimplemented.

**Note 1:** Unimplemented in PIC18F6527/6622/6627/8527/8622/8627 devices; maintain this bit set.

**2:** Unimplemented in PIC18F6527/6622/8527/8622 devices; maintain this bit set.

**3:** Unimplemented in PIC18F6527/8527 devices; maintain this bit set.

## 25.5.1 PROGRAM MEMORY CODE PROTECTION

The program memory may be read to or written from any location using the table read and table write instructions. The device ID may be read with table reads. The Configuration registers may be read and written with the table read and table write instructions.

In normal execution mode, the CPn bits have no direct effect. CPn bits inhibit external reads and writes. A block of user memory may be protected from table writes if the WRTn Configuration bit is '0'. The EBTRn bits control table reads. For a block of user memory with the EBTRn bit set to '0', a table read instruction that executes from within that block is allowed to read. A table read instruction that executes from a location outside of that block is

not allowed to read and will result in reading '0's. Figures 25-6 through 25-8 illustrate table write and table read protection.

**Note:** Code protection bits may only be written to a '0' from a '1' state. It is not possible to write a '1' to a bit in the '0' state. Code protection bits are only set to '1' by a full chip erase or block erase function. The full chip erase and block erase functions can only be initiated via ICSP or an external programmer. Refer to the device programming specification for more information.

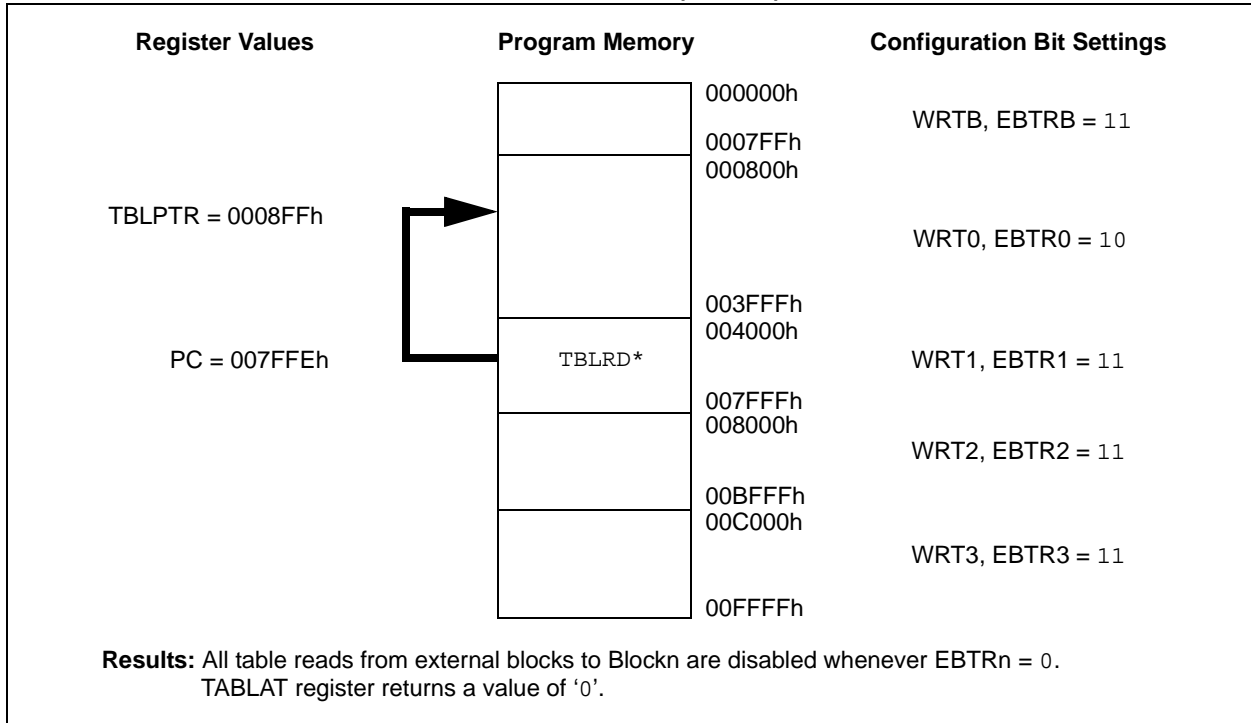
**FIGURE 25-6: TABLE WRITE (WRTn) DISALLOWED**





# PIC18F8722 FAMILY

**FIGURE 25-7: EXTERNAL BLOCK TABLE READ (EBTRn) DISALLOWED**



**FIGURE 25-8: EXTERNAL BLOCK TABLE READ (EBTRn) ALLOWED**



# PIC18F8722 FAMILY

## 25.5.2 DATA EEPROM CODE PROTECTION

The entire data EEPROM is protected from external reads and writes by two bits: CPD and WRTD. CPD inhibits external reads and writes of data EEPROM. WRTD inhibits internal and external writes to data EEPROM. The CPU can always read data EEPROM under normal operation, regardless of the protection bit settings.

## 25.5.3 CONFIGURATION REGISTER PROTECTION

The Configuration registers can be write-protected. The WRTC bit controls protection of the Configuration registers. In normal execution mode, the WRTC bit is readable only. WRTC can only be written via ICSP or an external programmer.

## 25.6 ID Locations

Eight memory locations (200000h-200007h) are designated as ID locations, where the user can store checksum or other code identification numbers. These locations are both readable and writable during normal execution through the TBLRD and TBLWT instructions or during program/verify. The ID locations can be read when the device is code-protected.

## 25.7 In-Circuit Serial Programming

The PIC18F8722 family of devices can be serially programmed while in the end application circuit. This is simply done with two lines for clock and data and three other lines for power, ground and the programming voltage. This allows customers to manufacture boards with unprogrammed devices and then program the microcontroller just before shipping the product. This also allows the most recent firmware or a custom firmware to be programmed.

## 25.8 In-Circuit Debugger

When the  $\overline{\text{DEBUG}}$  Configuration bit is programmed to a '0', the In-Circuit Debugger functionality is enabled. This function allows simple debugging functions when used with MPLAB® IDE. When the microcontroller has this feature enabled, some resources are not available for general use. Table 25-4 shows which resources are required by the background debugger.

**TABLE 25-4: DEBUGGER RESOURCES**

|                 |           |
|-----------------|-----------|
| I/O pins:       | RB6, RB7  |
| Stack:          | 2 levels  |
| Program Memory: | 512 bytes |
| Data Memory:    | 10 bytes  |

To use the In-Circuit Debugger function of the microcontroller, the design must implement In-Circuit Serial Programming connections to RG5/MCLR/VPP, VDD, Vss, RB7 and RB6. This will interface to the In-Circuit Debugger module available from Microchip or one of the third party development tool companies.

## 25.9 Single-Supply ICSP Programming

The LVP Configuration bit enables Single-Supply ICSP Programming (formerly known as Low-Voltage ICSP Programming or LVP). When Single-Supply Programming is enabled, the microcontroller can be programmed without requiring high voltage being applied to the RG5/MCLR/VPP pin, but the RB5/KBI1/PGM pin is then dedicated to controlling Program mode entry and is not available as a general purpose I/O pin.

While programming, using single-supply programming mode, VDD is applied to the RG5/MCLR/VPP pin as in normal execution mode. To enter Programming mode, VDD is applied to the PGM pin.

**Note 1:** High-voltage programming is always available, regardless of the state of the LVP bit or the PGM pin, by applying VIH to the MCLR pin.

**2:** By default, Single-Supply ICSP is enabled in unprogrammed devices (as supplied from Microchip) and erased devices.

**3:** When Single-Supply Programming is enabled, the RB5 pin can no longer be used as a general purpose I/O pin.

**4:** When LVP is enabled, externally pull the PGM pin to Vss to allow normal program execution.

If Single-Supply ICSP Programming mode will not be used, the LVP bit can be cleared. RB5/KBI1/PGM then becomes available as the digital I/O pin, RB5. The LVP bit may be set or cleared only when using standard high-voltage programming (VIH applied to the RG5/MCLR/VPP pin). Once LVP has been disabled, only the standard high-voltage programming is available and must be used to program the device.

Memory that is not code-protected can be erased using a block erase, or erased row by row, then written at any specified VDD. If code-protected memory is to be erased, a block erase is required. If a block erase is to be performed when using Low-Voltage Programming, the device must be supplied with VDD of 4.5V to 5.5V.

## 26.0 INSTRUCTION SET SUMMARY

The PIC18F8722 family of devices incorporates the standard set of 75 PIC18 core instructions, as well as an extended set of 8 new instructions for the optimization of code that is recursive or that utilizes a software stack. The extended set is discussed later in this section.

### 26.1 Standard Instruction Set

The standard PIC18 instruction set adds many enhancements to the previous PIC<sup>®</sup> MCU instruction sets, while maintaining an easy migration from these PIC MCU instruction sets. Most instructions are a single program memory word (16 bits), but there are four instructions that require two program memory locations.

Each single-word instruction is a 16-bit word divided into an opcode, which specifies the instruction type and one or more operands, which further specify the operation of the instruction.

The instruction set is highly orthogonal and is grouped into four basic categories:

- **Byte-oriented** operations
- **Bit-oriented** operations
- **Literal** operations
- **Control** operations

The PIC18 instruction set summary in Table 26-2 lists **byte-oriented**, **bit-oriented**, **literal** and **control** operations. Table 26-1 shows the opcode field descriptions.

Most **byte-oriented** instructions have three operands:

1. The file register (specified by 'f')
2. The destination of the result (specified by 'd')
3. The accessed memory (specified by 'a')

The file register designator 'f' specifies which file register is to be used by the instruction. The destination designator 'd' specifies where the result of the operation is to be placed. If 'd' is zero, the result is placed in the WREG register. If 'd' is one, the result is placed in the file register specified in the instruction.

All **bit-oriented** instructions have three operands:

1. The file register (specified by 'f')
2. The bit in the file register (specified by 'b')
3. The accessed memory (specified by 'a')

The bit field designator 'b' selects the number of the bit affected by the operation, while the file register designator 'f' represents the number of the file in which the bit is located.

The **literal** instructions may use some of the following operands:

- A literal value to be loaded into a file register (specified by 'k')
- The desired FSR register to load the literal value into (specified by 'f')
- No operand required (specified by '—')

The **control** instructions may use some of the following operands:

- A program memory address (specified by 'n')
- The mode of the `CALL` or `RETURN` instructions (specified by 's')
- The mode of the table read and table write instructions (specified by 'm')
- No operand required (specified by '—')

All instructions are a single word, except for four double-word instructions. These instructions were made double-word to contain the required information in 32 bits. In the second word, the 4 MSBs are 1's. If this second word is executed as an instruction (by itself), it will execute as a `NOOP`.

All single-word instructions are executed in a single instruction cycle, unless a conditional test is true or the program counter is changed as a result of the instruction. In these cases, the execution takes two instruction cycles with the additional instruction cycle(s) executed as a `NOOP`.

The double word instructions execute in two instruction cycles.

One instruction cycle consists of four oscillator periods. Thus, for an oscillator frequency of 4 MHz, the normal instruction execution time is 1  $\mu$ s. If a conditional test is true, or the program counter is changed as a result of an instruction, the instruction execution time is 2  $\mu$ s. Two-word branch instructions (if true) would take 3  $\mu$ s.

Figure 26-1 shows the general formats that the instructions can have. All examples use the convention 'nnh' to represent a hexadecimal number.

The Instruction Set Summary, shown in Table 26-2, lists the standard instructions recognized by the Microchip MPASM<sup>™</sup> Assembler.

**Section 26.1.1 "Standard Instruction Set"** provides a description of each instruction.

# PIC18F8722 FAMILY

**TABLE 26-1: OPCODE FIELD DESCRIPTIONS**

| Field            | Description  |
|------------------|--|
| a                | RAM access bit:<br>a = 0: RAM location in Access RAM (BSR register is ignored)<br>a = 1: RAM bank is specified by BSR register                                 |
| bbb              | Bit address within an 8-bit file register (0 to 7).  |
| BSR              | Bank Select Register. Used to select the current RAM bank.   |
| C, DC, Z, OV, N  | ALU status bits: <b>C</b> arry, <b>D</b> igit <b>C</b> arry, <b>Z</b> ero, <b>O</b> verflow, <b>N</b> egative.   |
| d                | Destination select bit:<br>d = 0: store result in WREG<br>d = 1: store result in file register f   |
| dest             | Destination: either the WREG register or the specified register file location.   |
| f                | 8-bit Register file address (00h to FFh), or 2-bit FSR designator (0h to 3h).  |
| f <sub>s</sub>   | 12-bit Register file address (000h to FFFh). This is the source address.   |
| f <sub>d</sub>   | 12-bit Register file address (000h to FFFh). This is the destination address.  |
| GIE              | Global Interrupt Enable bit.   |
| k                | Literal field, constant data or label (may be either an 8-bit, 12-bit or a 20-bit value).  |
| label            | Label name.  |
| mm               | The mode of the TBLPTR register for the table read and table write instructions.<br>Only used with table read and table write instructions:                    |
| *                | No Change to register (such as TBLPTR with table reads and writes)   |
| *+               | Post-Increment register (such as TBLPTR with table reads and writes)   |
| *-               | Post-Decrement register (such as TBLPTR with table reads and writes)   |
| +*               | Pre-Increment register (such as TBLPTR with table reads and writes)  |
| n                | The relative address (2's complement number) for relative branch instructions or the direct address for Call/Branch and Return instructions.                   |
| PC               | Program Counter.   |
| PCL              | Program Counter Low Byte.  |
| PCH              | Program Counter High Byte.   |
| PCLATH           | Program Counter High Byte Latch.   |
| PCLATU           | Program Counter Upper Byte Latch.  |
| $\overline{PD}$  | Power-Down bit.  |
| PRODH            | Product of Multiply High Byte.   |
| PRODL            | Product of Multiply Low Byte.  |
| s                | Fast Call/Return mode select bit:<br>s = 0: do not update into/from shadow registers<br>s = 1: certain registers loaded into/from shadow registers (Fast mode) |
| TBLPTR           | 21-bit Table Pointer (points to a Program Memory location).  |
| TABLAT           | 8-bit Table Latch.   |
| T $\overline{O}$ | Time-out bit.  |
| TOS              | Top-of-Stack.  |
| u                | Unused or Unchanged.   |
| WDT              | Watchdog Timer.  |
| WREG             | Working register (accumulator).  |
| x                | Don't care ('0' or '1'). The assembler will generate code with x = 0. It is the recommended form of use for compatibility with all Microchip software tools.   |
| z <sub>s</sub>   | 7-bit offset value for Indirect Addressing of register files (source).   |
| z <sub>d</sub>   | 7-bit offset value for Indirect Addressing of register files (destination).  |
| { }              | Optional argument.   |
| [text]           | Indicates an indexed address.  |
| (text)           | The contents of text.  |
| [expr]<n>        | Specifies bit n of the register indicated by the pointer expr.   |
| →                | Assigned to.   |
| < >              | Register bit field.  |
| ∈                | In the set of.   |
| <i>italics</i>   | User-defined term (font is Courier).   |

**FIGURE 26-1: GENERAL FORMAT FOR INSTRUCTIONS**



# PIC18F8722 FAMILY

**TABLE 26-2: PIC18FXXXX INSTRUCTION SET**

| Mnemonic,<br>Operands           | Description                     | Cycles   | 16-Bit Instruction Word |      |      |      | Status<br>Affected | Notes           |            |
|---------------------------------|---------------------------------|--|-------------------------|------|------|------|--------------------|-----------------|------------|
|                                 |                                 |  | MSb                     |      |      | LSb  |                    |                 |            |
| <b>BYTE-ORIENTED OPERATIONS</b> |                                 |  |                         |      |      |      |                    |                 |            |
| ADDWF                           | f, d, a                         | Add WREG and f   | 1                       | 0010 | 01da | ffff | ffff               | C, DC, Z, OV, N | 1, 2       |
| ADDWFC                          | f, d, a                         | Add WREG and Carry bit to f                                  | 1                       | 0010 | 00da | ffff | ffff               | C, DC, Z, OV, N | 1, 2       |
| ANDWF                           | f, d, a                         | AND WREG with f  | 1                       | 0001 | 01da | ffff | ffff               | Z, N            | 1, 2       |
| CLRF                            | f, a                            | Clear f  | 1                       | 0110 | 101a | ffff | ffff               | Z               | 2          |
| COMF                            | f, d, a                         | Complement f   | 1                       | 0001 | 11da | ffff | ffff               | Z, N            | 1, 2       |
| CPFSEQ                          | f, a                            | Compare f with WREG, Skip =                                  | 1 (2 or 3)              | 0110 | 001a | ffff | ffff               | None            | 4          |
| CPFSGT                          | f, a                            | Compare f with WREG, Skip >                                  | 1 (2 or 3)              | 0110 | 010a | ffff | ffff               | None            | 4          |
| CPFSLT                          | f, a                            | Compare f with WREG, Skip <                                  | 1 (2 or 3)              | 0110 | 000a | ffff | ffff               | None            | 1, 2       |
| DECF                            | f, d, a                         | Decrement f  | 1                       | 0000 | 01da | ffff | ffff               | C, DC, Z, OV, N | 1, 2, 3, 4 |
| DECFSZ                          | f, d, a                         | Decrement f, Skip if 0                                       | 1 (2 or 3)              | 0010 | 11da | ffff | ffff               | None            | 1, 2, 3, 4 |
| DCFSNZ                          | f, d, a                         | Decrement f, Skip if Not 0                                   | 1 (2 or 3)              | 0100 | 11da | ffff | ffff               | None            | 1, 2       |
| INCF                            | f, d, a                         | Increment f  | 1                       | 0010 | 10da | ffff | ffff               | C, DC, Z, OV, N | 1, 2, 3, 4 |
| INCFSZ                          | f, d, a                         | Increment f, Skip if 0                                       | 1 (2 or 3)              | 0011 | 11da | ffff | ffff               | None            | 4          |
| INFSNZ                          | f, d, a                         | Increment f, Skip if Not 0                                   | 1 (2 or 3)              | 0100 | 10da | ffff | ffff               | None            | 1, 2       |
| IORWF                           | f, d, a                         | Inclusive OR WREG with f                                     | 1                       | 0001 | 00da | ffff | ffff               | Z, N            | 1, 2       |
| MOVF                            | f, d, a                         | Move f   | 1                       | 0101 | 00da | ffff | ffff               | Z, N            | 1          |
| MOVFF                           | f <sub>s</sub> , f <sub>d</sub> | Move f <sub>s</sub> (source) to f <sub>d</sub> (destination) | 2                       | 1100 | ffff | ffff | ffff               | None            |            |
| MOVWF                           | f, a                            | Move WREG to f   | 1                       | 0110 | 111a | ffff | ffff               | None            |            |
| MULWF                           | f, a                            | Multiply WREG with f   | 1                       | 0000 | 001a | ffff | ffff               | None            | 1, 2       |
| NEGF                            | f, a                            | Negate f   | 1                       | 0110 | 110a | ffff | ffff               | C, DC, Z, OV, N |            |
| RLCF                            | f, d, a                         | Rotate Left f through Carry                                  | 1                       | 0011 | 01da | ffff | ffff               | C, Z, N         | 1, 2       |
| RLNCF                           | f, d, a                         | Rotate Left f (No Carry)                                     | 1                       | 0100 | 01da | ffff | ffff               | Z, N            |            |
| RRCF                            | f, d, a                         | Rotate Right f through Carry                                 | 1                       | 0011 | 00da | ffff | ffff               | C, Z, N         |            |
| RRNCF                           | f, d, a                         | Rotate Right f (No Carry)                                    | 1                       | 0100 | 00da | ffff | ffff               | Z, N            |            |
| SETF                            | f, a                            | Set f  | 1                       | 0110 | 100a | ffff | ffff               | None            | 1, 2       |
| SUBFWB                          | f, d, a                         | Subtract f from WREG with Borrow                             | 1                       | 0101 | 01da | ffff | ffff               | C, DC, Z, OV, N |            |
| SUBWF                           | f, d, a                         | Subtract WREG from f   | 1                       | 0101 | 11da | ffff | ffff               | C, DC, Z, OV, N | 1, 2       |
| SUBWFB                          | f, d, a                         | Subtract WREG from f with Borrow                             | 1                       | 0101 | 10da | ffff | ffff               | C, DC, Z, OV, N |            |
| SWAPF                           | f, d, a                         | Swap Nibbles in f  | 1                       | 0011 | 10da | ffff | ffff               | None            | 4          |
| TSTFSZ                          | f, a                            | Test f, Skip if 0  | 1 (2 or 3)              | 0110 | 011a | ffff | ffff               | None            | 1, 2       |
| XORWF                           | f, d, a                         | Exclusive OR WREG with f                                     | 1                       | 0001 | 10da | ffff | ffff               | Z, N            |            |

**Note 1:** When a PORT register is modified as a function of itself (e.g., MOVF PORTB, 1, 0), the value used will be that value present on the pins themselves. For example, if the data latch is '1' for a pin configured as input and is driven low by an external device, the data will be written back with a '0'.

- If this instruction is executed on the TMR0 register (and where applicable, d = 1), the prescaler will be cleared if assigned.
- If Program Counter (PC) is modified or a conditional test is true, the instruction requires two cycles. The second cycle is executed as a NOP.
- Some instructions are two-word instructions. The second word of these instructions will be executed as a NOP unless the first word of the instruction retrieves the information embedded in these 16 bits. This ensures that all program memory locations have a valid instruction.

# PIC18F8722 FAMILY

**TABLE 26-2: PIC18FXXXX INSTRUCTION SET (CONTINUED)**

| Mnemonic,<br>Operands          | Description | Cycles                         | 16-Bit Instruction Word |      |      |      | Status<br>Affected | Notes                          |      |
|--------------------------------|-------------|--------------------------------|-------------------------|------|------|------|--------------------|--------------------------------|------|
|                                |             |                                | MSb                     | LSb  |      |      |                    |                                |      |
| <b>BIT-ORIENTED OPERATIONS</b> |             |                                |                         |      |      |      |                    |                                |      |
| BCF                            | f, b, a     | Bit Clear f                    | 1                       | 1001 | bbba | ffff | ffff               | None                           | 1, 2 |
| BSF                            | f, b, a     | Bit Set f                      | 1                       | 1000 | bbba | ffff | ffff               | None                           | 1, 2 |
| BTFSC                          | f, b, a     | Bit Test f, Skip if Clear      | 1 (2 or 3)              | 1011 | bbba | ffff | ffff               | None                           | 3, 4 |
| BTFSS                          | f, b, a     | Bit Test f, Skip if Set        | 1 (2 or 3)              | 1010 | bbba | ffff | ffff               | None                           | 3, 4 |
| BTG                            | f, b, a     | Bit Toggle f                   | 1                       | 0111 | bbba | ffff | ffff               | None                           | 1, 2 |
| <b>CONTROL OPERATIONS</b>      |             |                                |                         |      |      |      |                    |                                |      |
| BC                             | n           | Branch if Carry                | 1 (2)                   | 1110 | 0010 | nnnn | nnnn               | None                           | 4    |
| BN                             | n           | Branch if Negative             | 1 (2)                   | 1110 | 0110 | nnnn | nnnn               | None                           |      |
| BNC                            | n           | Branch if Not Carry            | 1 (2)                   | 1110 | 0011 | nnnn | nnnn               | None                           |      |
| BNN                            | n           | Branch if Not Negative         | 1 (2)                   | 1110 | 0111 | nnnn | nnnn               | None                           |      |
| BNOV                           | n           | Branch if Not Overflow         | 1 (2)                   | 1110 | 0101 | nnnn | nnnn               | None                           |      |
| BNZ                            | n           | Branch if Not Zero             | 1 (2)                   | 1110 | 0001 | nnnn | nnnn               | None                           |      |
| BOV                            | n           | Branch if Overflow             | 1 (2)                   | 1110 | 0100 | nnnn | nnnn               | None                           |      |
| BRA                            | n           | Branch Unconditionally         | 2                       | 1101 | 0nnn | nnnn | nnnn               | None                           |      |
| BZ                             | n           | Branch if Zero                 | 1 (2)                   | 1110 | 0000 | nnnn | nnnn               | None                           |      |
| CALL                           | n, s        | Call Subroutine                | 2                       | 1110 | 110s | kkkk | kkkk               | None                           |      |
|                                |             | 1st word                       |                         |      |      |      |                    |                                |      |
|                                |             | 2nd word                       |                         | 1111 | kkkk | kkkk | kkkk               |                                |      |
| CLRWDT                         | —           | Clear Watchdog Timer           | 1                       | 0000 | 0000 | 0000 | 0100               | $\overline{TO}, \overline{PD}$ |      |
| DAW                            | —           | Decimal Adjust WREG            | 1                       | 0000 | 0000 | 0000 | 0111               | C                              |      |
| GOTO                           | n           | Go to Address                  | 2                       | 1110 | 1111 | kkkk | kkkk               | None                           |      |
|                                |             | 1st word                       |                         |      |      |      |                    |                                |      |
|                                |             | 2nd word                       |                         | 1111 | kkkk | kkkk | kkkk               |                                |      |
| NOP                            | —           | No Operation                   | 1                       | 0000 | 0000 | 0000 | 0000               | None                           |      |
| NOP                            | —           | No Operation                   | 1                       | 1111 | xxxx | xxxx | xxxx               | None                           |      |
| POP                            | —           | Pop Top of Return Stack (TOS)  | 1                       | 0000 | 0000 | 0000 | 0110               | None                           |      |
| PUSH                           | —           | Push Top of Return Stack (TOS) | 1                       | 0000 | 0000 | 0000 | 0101               | None                           |      |
| RCALL                          | n           | Relative Call                  | 2                       | 1101 | 1nnn | nnnn | nnnn               | None                           |      |
| RESET                          |             | Software Device Reset          | 1                       | 0000 | 0000 | 1111 | 1111               | All                            |      |
| RETFIE                         | s           | Return from Interrupt Enable   | 2                       | 0000 | 0000 | 0001 | 000s               | GIE/GIEH,<br>PEIE/GIEL         |      |
| RETLW                          | k           | Return with Literal in WREG    | 2                       | 0000 | 1100 | kkkk | kkkk               | None                           |      |
| RETURN                         | s           | Return from Subroutine         | 2                       | 0000 | 0000 | 0001 | 001s               | None                           |      |
| SLEEP                          | —           | Go into Standby mode           | 1                       | 0000 | 0000 | 0000 | 0011               | $\overline{TO}, \overline{PD}$ |      |

**Note 1:** When a PORT register is modified as a function of itself (e.g., `MOVWF PORTB, 1, 0`), the value used will be that value present on the pins themselves. For example, if the data latch is '1' for a pin configured as input and is driven low by an external device, the data will be written back with a '0'.

- 2:** If this instruction is executed on the TMR0 register (and where applicable,  $d = 1$ ), the prescaler will be cleared if assigned.
- 3:** If Program Counter (PC) is modified or a conditional test is true, the instruction requires two cycles. The second cycle is executed as a NOP.
- 4:** Some instructions are two-word instructions. The second word of these instructions will be executed as a NOP unless the first word of the instruction retrieves the information embedded in these 16 bits. This ensures that all program memory locations have a valid instruction.

# PIC18F8722 FAMILY

**TABLE 26-2: PIC18FXXXX INSTRUCTION SET (CONTINUED)**

| Mnemonic,<br>Operands                          | Description | Cycles   | 16-Bit Instruction Word |      |      |      | Status<br>Affected | Notes           |   |
|--|-------------|--|-------------------------|------|------|------|--------------------|-----------------|---|
|  |             |  | MSb                     |      |      | LSb  |                    |                 |   |
| <b>LITERAL OPERATIONS</b>                      |             |  |                         |      |      |      |                    |                 |   |
| ADDLW  | k           | Add Literal and WREG                                 | 1                       | 0000 | 1111 | kkkk | kkkk               | C, DC, Z, OV, N |   |
| ANDLW  | k           | AND Literal with WREG                                | 1                       | 0000 | 1011 | kkkk | kkkk               | Z, N            |   |
| IORLW  | k           | Inclusive OR Literal with WREG                       | 1                       | 0000 | 1001 | kkkk | kkkk               | Z, N            |   |
| LFSR   | f, k        | Move Literal (12-bit) 2nd word<br>to FSR(f) 1st word | 2                       | 1110 | 1110 | 00ff | kkkk               | None            |   |
| MOVLB  | k           | Move Literal to BSR<3:0>                             | 1                       | 0000 | 0001 | 0000 | kkkk               | None            |   |
| MOVLW  | k           | Move Literal to WREG                                 | 1                       | 0000 | 1110 | kkkk | kkkk               | None            |   |
| MULLW  | k           | Multiply Literal with WREG                           | 1                       | 0000 | 1101 | kkkk | kkkk               | None            |   |
| RETLW  | k           | Return with Literal in WREG                          | 2                       | 0000 | 1100 | kkkk | kkkk               | None            |   |
| SUBLW  | k           | Subtract WREG from Literal                           | 1                       | 0000 | 1000 | kkkk | kkkk               | C, DC, Z, OV, N |   |
| XORLW  | k           | Exclusive OR Literal with WREG                       | 1                       | 0000 | 1010 | kkkk | kkkk               | Z, N            |   |
| <b>DATA MEMORY ↔ PROGRAM MEMORY OPERATIONS</b> |             |  |                         |      |      |      |                    |                 |   |
| TBLRD*   |             | Table Read   | 2                       | 0000 | 0000 | 0000 | 1000               | None            |   |
| TBLRD*+  |             | Table Read with Post-Increment                       |                         | 0000 | 0000 | 0000 | 1001               | None            |   |
| TBLRD*-  |             | Table Read with Post-Decrement                       |                         | 0000 | 0000 | 0000 | 1010               | None            |   |
| TBLRD+*  |             | Table Read with Pre-Increment                        |                         | 0000 | 0000 | 0000 | 1011               | None            |   |
| TBLWT*   |             | Table Write  | 2                       | 0000 | 0000 | 0000 | 1100               | None            | 5 |
| TBLWT*+  |             | Table Write with Post-Increment                      |                         | 0000 | 0000 | 0000 | 1101               | None            | 5 |
| TBLWT*-  |             | Table Write with Post-Decrement                      |                         | 0000 | 0000 | 0000 | 1110               | None            | 5 |
| TBLWT+*  |             | Table Write with Pre-Increment                       |                         | 0000 | 0000 | 0000 | 1111               | None            | 5 |

- Note 1:** When a PORT register is modified as a function of itself (e.g., `MOVF PORTB, 1, 0`), the value used will be that value present on the pins themselves. For example, if the data latch is '1' for a pin configured as input and is driven low by an external device, the data will be written back with a '0'.
- If this instruction is executed on the TMR0 register (and where applicable,  $d = 1$ ), the prescaler will be cleared if assigned.
  - If Program Counter (PC) is modified or a conditional test is true, the instruction requires two cycles. The second cycle is executed as a NOP.
  - Some instructions are two-word instructions. The second word of these instructions will be executed as a NOP unless the first word of the instruction retrieves the information embedded in these 16 bits. This ensures that all program memory locations have a valid instruction.



# PIC18F8722 FAMILY

## 26.1.1 STANDARD INSTRUCTION SET

| ADDLW             | ADD Literal to W  |              |            |      |      |        |                  |              |            |
|-------------------|---|--------------|------------|------|------|--------|------------------|--------------|------------|
| Syntax:           | ADDLW k   |              |            |      |      |        |                  |              |            |
| Operands:         | $0 \leq k \leq 255$   |              |            |      |      |        |                  |              |            |
| Operation:        | $(W) + k \rightarrow W$   |              |            |      |      |        |                  |              |            |
| Status Affected:  | N, OV, C, DC, Z   |              |            |      |      |        |                  |              |            |
| Encoding:         | <table border="1"> <tr> <td>0000</td> <td>1111</td> <td>kkkk</td> <td>kkkk</td> </tr> </table>  | 0000         | 1111       | kkkk | kkkk |        |                  |              |            |
| 0000              | 1111  | kkkk         | kkkk       |      |      |        |                  |              |            |
| Description:      | The contents of W are added to the 8-bit literal 'k' and the result is placed in W.   |              |            |      |      |        |                  |              |            |
| Words:            | 1   |              |            |      |      |        |                  |              |            |
| Cycles:           | 1   |              |            |      |      |        |                  |              |            |
| Q Cycle Activity: | <table border="1"> <thead> <tr> <th>Q1</th> <th>Q2</th> <th>Q3</th> <th>Q4</th> </tr> </thead> <tbody> <tr> <td>Decode</td> <td>Read literal 'k'</td> <td>Process Data</td> <td>Write to W</td> </tr> </tbody> </table> | Q1           | Q2         | Q3   | Q4   | Decode | Read literal 'k' | Process Data | Write to W |
| Q1                | Q2  | Q3           | Q4         |      |      |        |                  |              |            |
| Decode            | Read literal 'k'  | Process Data | Write to W |      |      |        |                  |              |            |

**Example:**           ADDLW 15h

Before Instruction  
W = 10h  
After Instruction  
W = 25h

| ADDWF             | ADD W to f   |              |                      |      |      |        |                   |              |                      |
|-------------------|--|--------------|----------------------|------|------|--------|-------------------|--------------|----------------------|
| Syntax:           | ADDWF f {,d {,a}}  |              |                      |      |      |        |                   |              |                      |
| Operands:         | $0 \leq f \leq 255$<br>$d \in [0,1]$<br>$a \in [0,1]$  |              |                      |      |      |        |                   |              |                      |
| Operation:        | $(W) + (f) \rightarrow \text{dest}$  |              |                      |      |      |        |                   |              |                      |
| Status Affected:  | N, OV, C, DC, Z  |              |                      |      |      |        |                   |              |                      |
| Encoding:         | <table border="1"> <tr> <td>0010</td> <td>01da</td> <td>ffff</td> <td>ffff</td> </tr> </table>   | 0010         | 01da                 | ffff | ffff |        |                   |              |                      |
| 0010              | 01da   | ffff         | ffff                 |      |      |        |                   |              |                      |
| Description:      | Add W to register 'f'. If 'd' is '0', the result is stored in W. If 'd' is '1', the result is stored back in register 'f' (default).<br><br>If 'a' is '0', the Access Bank is selected. If 'a' is '1', the BSR is used to select the GPR bank (default).<br><br>If 'a' is '0' and the extended instruction set is enabled, this instruction operates in Indexed Literal Offset Addressing mode whenever $f \leq 95$ (5Fh). See <b>Section 26.2.3 "Byte-Oriented and Bit-Oriented Instructions in Indexed Literal Offset Mode"</b> for details. |              |                      |      |      |        |                   |              |                      |
| Words:            | 1  |              |                      |      |      |        |                   |              |                      |
| Cycles:           | 1  |              |                      |      |      |        |                   |              |                      |
| Q Cycle Activity: | <table border="1"> <thead> <tr> <th>Q1</th> <th>Q2</th> <th>Q3</th> <th>Q4</th> </tr> </thead> <tbody> <tr> <td>Decode</td> <td>Read register 'f'</td> <td>Process Data</td> <td>Write to destination</td> </tr> </tbody> </table>   | Q1           | Q2                   | Q3   | Q4   | Decode | Read register 'f' | Process Data | Write to destination |
| Q1                | Q2   | Q3           | Q4                   |      |      |        |                   |              |                      |
| Decode            | Read register 'f'  | Process Data | Write to destination |      |      |        |                   |              |                      |

**Example:**           ADDWF REG, 0, 0

Before Instruction  
W = 17h  
REG = 0C2h  
After Instruction  
W = 0D9h  
REG = 0C2h

**Note:** All PIC18 instructions may take an optional label argument preceding the instruction mnemonic for use in symbolic addressing. If a label is used, the instruction format then becomes: {label} instruction argument(s).

# PIC18F8722 FAMILY

**ADDWFC**      **ADD W and Carry bit to f**

Syntax:      ADDWFC    f {,d {,a}}

Operands:     $0 \leq f \leq 255$   
 $d \in [0,1]$   
 $a \in [0,1]$

Operation:     $(W) + (f) + (C) \rightarrow \text{dest}$

Status Affected:    N,OV, C, DC, Z

Encoding:    

|      |      |      |      |
|------|------|------|------|
| 0010 | 00da | ffff | ffff |
|------|------|------|------|

Description:    Add W, the Carry flag and data memory location 'f'. If 'd' is '0', the result is placed in W. If 'd' is '1', the result is placed in data memory location 'f'.  
 If 'a' is '0', the Access Bank is selected. If 'a' is '1', the BSR is used to select the GPR bank (default).  
 If 'a' is '0' and the extended instruction set is enabled, this instruction operates in Indexed Literal Offset Addressing mode whenever  $f \leq 95$  (5Fh). See **Section 26.2.3 "Byte-Oriented and Bit-Oriented Instructions in Indexed Literal Offset Mode"** for details.

Words:      1

Cycles:      1

Q Cycle Activity:

| Q1     | Q2                | Q3           | Q4                   |
|--------|-------------------|--------------|----------------------|
| Decode | Read register 'f' | Process Data | Write to destination |

Example:      ADDWFC    REG, 0, 1

Before Instruction  
 Carry bit = 1  
 REG = 02h  
 W = 4Dh

After Instruction  
 Carry bit = 0  
 REG = 02h  
 W = 50h

**ANDLW**      **AND Literal with W**

Syntax:      ANDLW    k

Operands:     $0 \leq k \leq 255$

Operation:     $(W) \text{ .AND. } k \rightarrow W$

Status Affected:    N, Z

Encoding:    

|      |      |      |      |
|------|------|------|------|
| 0000 | 1011 | kkkk | kkkk |
|------|------|------|------|

Description:    The contents of W are ANDed with the 8-bit literal 'k'. The result is placed in W.

Words:      1

Cycles:      1

Q Cycle Activity:

| Q1     | Q2               | Q3           | Q4         |
|--------|------------------|--------------|------------|
| Decode | Read literal 'k' | Process Data | Write to W |

Example:      ANDLW      05Fh

Before Instruction  
 W = A3h

After Instruction  
 W = 03h

# PIC18F8722 FAMILY

## ANDWF AND W with f

**Syntax:** ANDWF f {,d {,a}}

**Operands:**  $0 \leq f \leq 255$   
 $d \in [0,1]$   
 $a \in [0,1]$

**Operation:** (W) .AND. (f) → dest

**Status Affected:** N, Z

**Encoding:**

|      |      |      |      |
|------|------|------|------|
| 0001 | 01da | ffff | ffff |
|------|------|------|------|

**Description:** The contents of W are ANDed with register 'f'. If 'd' is '0', the result is stored in W. If 'd' is '1', the result is stored back in register 'f' (default).  
 If 'a' is '0', the Access Bank is selected. If 'a' is '1', the BSR is used to select the GPR bank (default).  
 If 'a' is '0' and the extended instruction set is enabled, this instruction operates in Indexed Literal Offset Addressing mode whenever  $f \leq 95$  (5Fh). See **Section 26.2.3 "Byte-Oriented and Bit-Oriented Instructions in Indexed Literal Offset Mode"** for details.

**Words:** 1

**Cycles:** 1

**Q Cycle Activity:**

| Q1     | Q2                | Q3           | Q4                   |
|--------|-------------------|--------------|----------------------|
| Decode | Read register 'f' | Process Data | Write to destination |

**Example:** ANDWF REG, 0, 0

Before Instruction  
 W = 17h  
 REG = C2h

After Instruction  
 W = 02h  
 REG = C2h

## BC Branch if Carry

**Syntax:** BC n

**Operands:**  $-128 \leq n \leq 127$

**Operation:** if Carry bit is '1'  
 $(PC) + 2 + 2n \rightarrow PC$

**Status Affected:** None

**Encoding:**

|      |      |      |      |
|------|------|------|------|
| 1110 | 0010 | nnnn | nnnn |
|------|------|------|------|

**Description:** If the Carry bit is '1', then the program will branch.  
 The 2's complement number '2n' is added to the PC. Since the PC will have incremented to fetch the next instruction, the new address will be  $PC + 2 + 2n$ . This instruction is then a two-cycle instruction.

**Words:** 1

**Cycles:** 1(2)

**Q Cycle Activity:**

**If Jump:**

| Q1           | Q2               | Q3           | Q4           |
|--------------|------------------|--------------|--------------|
| Decode       | Read literal 'n' | Process Data | Write to PC  |
| No operation | No operation     | No operation | No operation |

**If No Jump:**

| Q1     | Q2               | Q3           | Q4           |
|--------|------------------|--------------|--------------|
| Decode | Read literal 'n' | Process Data | No operation |

**Example:** HERE BC 5

Before Instruction  
 PC = address (HERE)

After Instruction  
 If Carry = 1;  
 PC = address (HERE + 12)  
 If Carry = 0;  
 PC = address (HERE + 2)

# PIC18F8722 FAMILY

**BCF**                      **Bit Clear f**

---

Syntax:                    BCF    f, b {,a}

Operands:                 $0 \leq f \leq 255$   
 $0 \leq b \leq 7$   
 $a \in [0,1]$

Operation:                 $0 \rightarrow f \leftarrow b$

Status Affected:        None

Encoding:                

|      |      |      |      |
|------|------|------|------|
| 1001 | bbba | ffff | ffff |
|------|------|------|------|

Description:             Bit 'b' in register 'f' is cleared.

                              If 'a' is '0', the Access Bank is selected.  
                              If 'a' is '1', the BSR is used to select the GPR bank (default).

                              If 'a' is '0' and the extended instruction set is enabled, this instruction operates in Indexed Literal Offset Addressing mode whenever  $f \leq 95$  (5Fh). See **Section 26.2.3 "Byte-Oriented and Bit-Oriented Instructions in Indexed Literal Offset Mode"** for details.

Words:                    1

Cycles:                    1

Q Cycle Activity:

| Q1     | Q2                | Q3           | Q4                 |
|--------|-------------------|--------------|--------------------|
| Decode | Read register 'f' | Process Data | Write register 'f' |

**Example:**                BCF    FLAG\_REG, 7, 0

                              Before Instruction  
                              FLAG\_REG = C7h

                              After Instruction  
                              FLAG\_REG = 47h

**BN**                        **Branch if Negative**

---

Syntax:                    BN    n

Operands:                 $-128 \leq n \leq 127$

Operation:                if Negative bit is '1'  
 $(PC) + 2 + 2n \rightarrow PC$

Status Affected:        None

Encoding:                

|      |      |      |      |
|------|------|------|------|
| 1110 | 0110 | nnnn | nnnn |
|------|------|------|------|

Description:             If the Negative bit is '1', then the program will branch.

                              The 2's complement number '2n' is added to the PC. Since the PC will have incremented to fetch the next instruction, the new address will be  $PC + 2 + 2n$ . This instruction is then a two-cycle instruction.

Words:                    1

Cycles:                    1(2)

Q Cycle Activity:

If Jump:

| Q1           | Q2               | Q3           | Q4           |
|--------------|------------------|--------------|--------------|
| Decode       | Read literal 'n' | Process Data | Write to PC  |
| No operation | No operation     | No operation | No operation |

If No Jump:

| Q1     | Q2               | Q3           | Q4           |
|--------|------------------|--------------|--------------|
| Decode | Read literal 'n' | Process Data | No operation |

**Example:**                               HERE                BN    Jump

                              Before Instruction

                              PC                    =    address (HERE)

                              After Instruction

                              If Negative        =    1;

                              PC                    =    address (Jump)

                              If Negative        =    0;

                              PC                    =    address (HERE + 2)

# PIC18F8722 FAMILY

## BNC Branch if Not Carry

**Syntax:** BNC n

**Operands:**  $-128 \leq n \leq 127$

**Operation:** if Carry bit is '0'  
 $(PC) + 2 + 2n \rightarrow PC$

**Status Affected:** None

**Encoding:**

|      |      |      |      |
|------|------|------|------|
| 1110 | 0011 | nnnn | nnnn |
|------|------|------|------|

**Description:** If the Carry bit is '0', then the program will branch.  
  
 The 2's complement number '2n' is added to the PC. Since the PC will have incremented to fetch the next instruction, the new address will be  $PC + 2 + 2n$ . This instruction is then a two-cycle instruction.

**Words:** 1

**Cycles:** 1(2)

**Q Cycle Activity:**

If Jump:

| Q1           | Q2               | Q3           | Q4           |
|--------------|------------------|--------------|--------------|
| Decode       | Read literal 'n' | Process Data | Write to PC  |
| No operation | No operation     | No operation | No operation |

If No Jump:

| Q1     | Q2               | Q3           | Q4           |
|--------|------------------|--------------|--------------|
| Decode | Read literal 'n' | Process Data | No operation |

**Example:**                   HERE           BNC   Jump

Before Instruction  
 PC = address (HERE)

After Instruction  
 If Carry = 0;  
 PC = address (Jump)  
 If Carry = 1;  
 PC = address (HERE + 2)

## BNN Branch if Not Negative

**Syntax:** BNN n

**Operands:**  $-128 \leq n \leq 127$

**Operation:** if Negative bit is '0'  
 $(PC) + 2 + 2n \rightarrow PC$

**Status Affected:** None

**Encoding:**

|      |      |      |      |
|------|------|------|------|
| 1110 | 0111 | nnnn | nnnn |
|------|------|------|------|

**Description:** If the Negative bit is '0', then the program will branch.  
  
 The 2's complement number '2n' is added to the PC. Since the PC will have incremented to fetch the next instruction, the new address will be  $PC + 2 + 2n$ . This instruction is then a two-cycle instruction.

**Words:** 1

**Cycles:** 1(2)

**Q Cycle Activity:**

If Jump:

| Q1           | Q2               | Q3           | Q4           |
|--------------|------------------|--------------|--------------|
| Decode       | Read literal 'n' | Process Data | Write to PC  |
| No operation | No operation     | No operation | No operation |

If No Jump:

| Q1     | Q2               | Q3           | Q4           |
|--------|------------------|--------------|--------------|
| Decode | Read literal 'n' | Process Data | No operation |

**Example:**                   HERE           BNN   Jump

Before Instruction  
 PC = address (HERE)

After Instruction  
 If Negative = 0;  
 PC = address (Jump)  
 If Negative = 1;  
 PC = address (HERE + 2)

# PIC18F8722 FAMILY

## BNOV Branch if Not Overflow

**Syntax:** BNOV n

**Operands:**  $-128 \leq n \leq 127$

**Operation:** if Overflow bit is '0'  
 $(PC) + 2 + 2n \rightarrow PC$

**Status Affected:** None

**Encoding:**

|      |      |      |      |
|------|------|------|------|
| 1110 | 0101 | nnnn | nnnn |
|------|------|------|------|

**Description:** If the Overflow bit is '0', then the program will branch.  
  
 The 2's complement number '2n' is added to the PC. Since the PC will have incremented to fetch the next instruction, the new address will be  $PC + 2 + 2n$ . This instruction is then a two-cycle instruction.

**Words:** 1

**Cycles:** 1(2)

**Q Cycle Activity:**

**If Jump:**

| Q1           | Q2               | Q3           | Q4           |
|--------------|------------------|--------------|--------------|
| Decode       | Read literal 'n' | Process Data | Write to PC  |
| No operation | No operation     | No operation | No operation |

**If No Jump:**

| Q1     | Q2               | Q3           | Q4           |
|--------|------------------|--------------|--------------|
| Decode | Read literal 'n' | Process Data | No operation |

**Example:**            HERE        BNOV Jump

Before Instruction  
 PC = address (HERE)

After Instruction  
 If Overflow = 0;  
 PC = address (Jump)  
 If Overflow = 1;  
 PC = address (HERE + 2)

## BNZ Branch if Not Zero

**Syntax:** BNZ n

**Operands:**  $-128 \leq n \leq 127$

**Operation:** if Zero bit is '0'  
 $(PC) + 2 + 2n \rightarrow PC$

**Status Affected:** None

**Encoding:**

|      |      |      |      |
|------|------|------|------|
| 1110 | 0001 | nnnn | nnnn |
|------|------|------|------|

**Description:** If the Zero bit is '0', then the program will branch.  
  
 The 2's complement number '2n' is added to the PC. Since the PC will have incremented to fetch the next instruction, the new address will be  $PC + 2 + 2n$ . This instruction is then a two-cycle instruction.

**Words:** 1

**Cycles:** 1(2)

**Q Cycle Activity:**

**If Jump:**

| Q1           | Q2               | Q3           | Q4           |
|--------------|------------------|--------------|--------------|
| Decode       | Read literal 'n' | Process Data | Write to PC  |
| No operation | No operation     | No operation | No operation |

**If No Jump:**

| Q1     | Q2               | Q3           | Q4           |
|--------|------------------|--------------|--------------|
| Decode | Read literal 'n' | Process Data | No operation |

**Example:**            HERE        BNZ Jump

Before Instruction  
 PC = address (HERE)

After Instruction  
 If Zero = 0;  
 PC = address (Jump)  
 If Zero = 1;  
 PC = address (HERE + 2)

# PIC18F8722 FAMILY

**BRA**                      **Unconditional Branch**

---

Syntax:                    BRA n

Operands:                -1024 ≤ n ≤ 1023

Operation:                (PC) + 2 + 2n → PC

Status Affected:        None

Encoding:                

|      |      |      |      |
|------|------|------|------|
| 1101 | 0nnn | nnnn | nnnn |
|------|------|------|------|

Description:             Add the 2's complement number '2n' to the PC. Since the PC will have incremented to fetch the next instruction, the new address will be PC + 2 + 2n. This instruction is a two-cycle instruction.

Words:                    1

Cycles:                    2

Q Cycle Activity:

|              | Q1               | Q2           | Q3           | Q4           |
|--------------|------------------|--------------|--------------|--------------|
| Decode       | Read literal 'n' | Process Data | Write to PC  |              |
| No operation | No operation     | No operation | No operation | No operation |

Example:                       HERE        BRA    Jump

Before Instruction  
PC = address (HERE)

After Instruction  
PC = address (Jump)

**BSF**                      **Bit Set f**

---

Syntax:                    BSF f, b {,a}

Operands:                0 ≤ f ≤ 255  
0 ≤ b ≤ 7  
a ∈ [0,1]

Operation:                1 → f<b>

Status Affected:        None

Encoding:                

|      |      |      |      |
|------|------|------|------|
| 1000 | bbba | ffff | ffff |
|------|------|------|------|

Description:             Bit 'b' in register 'f' is set.

If 'a' is '0', the Access Bank is selected. If 'a' is '1', the BSR is used to select the GPR bank (default).

If 'a' is '0' and the extended instruction set is enabled, this instruction operates in Indexed Literal Offset Addressing mode whenever f ≤ 95 (5Fh). See **Section 26.2.3 "Byte-Oriented and Bit-Oriented Instructions in Indexed Literal Offset Mode"** for details.

Words:                    1

Cycles:                    1

Q Cycle Activity:

|        | Q1                | Q2           | Q3                 | Q4 |
|--------|-------------------|--------------|--------------------|----|
| Decode | Read register 'f' | Process Data | Write register 'f' |    |

Example:                       BSF        FLAG\_REG, 7, 1

Before Instruction  
FLAG\_REG = 0Ah

After Instruction  
FLAG\_REG = 8Ah

# PIC18F8722 FAMILY

**BTFSK**                      **Bit Test File, Skip if Clear**

---

Syntax:                      BTFSK f, b {,a}

Operands:                     $0 \leq f \leq 255$   
 $0 \leq b \leq 7$   
 $a \in [0,1]$

Operation:                    skip if (f<b>) = 0

Status Affected:            None

Encoding:                    

|      |      |      |      |
|------|------|------|------|
| 1011 | bbba | ffff | ffff |
|------|------|------|------|

Description:                If bit 'b' in register 'f' is '0', then the next instruction is skipped. If bit 'b' is '1', then the next instruction fetched during the current instruction execution is discarded and a NOP is executed instead, making this a two-cycle instruction.

                                  If 'a' is '0', the Access Bank is selected. If 'a' is '1', the BSR is used to select the GPR bank (default).

                                  If 'a' is '0' and the extended instruction set is enabled, this instruction operates in Indexed Literal Offset Addressing mode whenever  $f \leq 95$  (5Fh). See **Section 26.2.3 "Byte-Oriented and Bit-Oriented Instructions in Indexed Literal Offset Mode"** for details.

Words:                        1

Cycles:                        1(2)  
**Note:** 3 cycles if skip and followed by a 2-word instruction.

Q Cycle Activity:

| Q1     | Q2                | Q3           | Q4           |
|--------|-------------------|--------------|--------------|
| Decode | Read register 'f' | Process Data | No operation |

If skip:

| Q1           | Q2           | Q3           | Q4           |
|--------------|--------------|--------------|--------------|
| No operation | No operation | No operation | No operation |

If skip and followed by 2-word instruction:

| Q1           | Q2           | Q3           | Q4           |
|--------------|--------------|--------------|--------------|
| No operation | No operation | No operation | No operation |
| No operation | No operation | No operation | No operation |

**Example:**

```

HERE   BTFSK   FLAG, 1, 0
FALSE  :
TRUE   :
```

Before Instruction  
PC = address (HERE)

After Instruction  
If FLAG<1> = 0;  
PC = address (TRUE)  
If FLAG<1> = 1;  
PC = address (FALSE)

**BTFS**                        **Bit Test File, Skip if Set**

---

Syntax:                      BTFS f, b {,a}

Operands:                     $0 \leq f \leq 255$   
 $0 \leq b < 7$   
 $a \in [0,1]$

Operation:                    skip if (f<b>) = 1

Status Affected:            None

Encoding:                    

|      |      |      |      |
|------|------|------|------|
| 1010 | bbba | ffff | ffff |
|------|------|------|------|

Description:                If bit 'b' in register 'f' is '1', then the next instruction is skipped. If bit 'b' is '0', then the next instruction fetched during the current instruction execution is discarded and a NOP is executed instead, making this a two-cycle instruction.

                                  If 'a' is '0', the Access Bank is selected. If 'a' is '1', the BSR is used to select the GPR bank (default).

                                  If 'a' is '0' and the extended instruction set is enabled, this instruction operates in Indexed Literal Offset Addressing mode whenever  $f \leq 95$  (5Fh). See **Section 26.2.3 "Byte-Oriented and Bit-Oriented Instructions in Indexed Literal Offset Mode"** for details.

Words:                        1

Cycles:                        1(2)  
**Note:** 3 cycles if skip and followed by a 2-word instruction.

Q Cycle Activity:

| Q1     | Q2                | Q3           | Q4           |
|--------|-------------------|--------------|--------------|
| Decode | Read register 'f' | Process Data | No operation |

If skip:

| Q1           | Q2           | Q3           | Q4           |
|--------------|--------------|--------------|--------------|
| No operation | No operation | No operation | No operation |

If skip and followed by 2-word instruction:

| Q1           | Q2           | Q3           | Q4           |
|--------------|--------------|--------------|--------------|
| No operation | No operation | No operation | No operation |
| No operation | No operation | No operation | No operation |

**Example:**

```

HERE   BTFS   FLAG, 1, 0
FALSE  :
TRUE   :
```

Before Instruction  
PC = address (HERE)

After Instruction  
If FLAG<1> = 0;  
PC = address (FALSE)  
If FLAG<1> = 1;  
PC = address (TRUE)



# PIC18F8722 FAMILY

**BTG**                      **Bit Toggle f**

---

Syntax:                    BTG f, b {,a}

Operands:                 $0 \leq f \leq 255$   
 $0 \leq b < 7$   
 $a \in [0,1]$

Operation:                 $(\overline{f} < b) \rightarrow f < b$

Status Affected:        None

Encoding:                

|      |      |      |      |
|------|------|------|------|
| 0111 | bbba | ffff | ffff |
|------|------|------|------|

Description:             Bit 'b' in data memory location 'f' is inverted.

                              If 'a' is '0', the Access Bank is selected.  
                              If 'a' is '1', the BSR is used to select the GPR bank (default).

                              If 'a' is '0' and the extended instruction set is enabled, this instruction operates in Indexed Literal Offset Addressing mode whenever  $f \leq 95$  (5Fh). See **Section 26.2.3 "Byte-Oriented and Bit-Oriented Instructions in Indexed Literal Offset Mode"** for details.

Words:                    1

Cycles:                   1

Q Cycle Activity:

| Q1     | Q2                | Q3           | Q4                 |
|--------|-------------------|--------------|--------------------|
| Decode | Read register 'f' | Process Data | Write register 'f' |

**Example:**                BTG    PORTC, 4, 0

Before Instruction:  
PORTC = 0111 0101 [75h]  
After Instruction:  
PORTC = 0110 0101 [65h]

**BOV**                      **Branch if Overflow**

---

Syntax:                    BOV n

Operands:                 $-128 \leq n \leq 127$

Operation:                if Overflow bit is '1'  
(PC) + 2 + 2n → PC

Status Affected:        None

Encoding:                

|      |      |      |      |
|------|------|------|------|
| 1110 | 0100 | nnnn | nnnn |
|------|------|------|------|

Description:             If the Overflow bit is '1', then the program will branch.

                              The 2's complement number '2n' is added to the PC. Since the PC will have incremented to fetch the next instruction, the new address will be PC + 2 + 2n. This instruction is then a two-cycle instruction.

Words:                    1

Cycles:                   1(2)

Q Cycle Activity:  
If Jump:

| Q1           | Q2               | Q3           | Q4           |
|--------------|------------------|--------------|--------------|
| Decode       | Read literal 'n' | Process Data | Write to PC  |
| No operation | No operation     | No operation | No operation |

If No Jump:

| Q1     | Q2               | Q3           | Q4           |
|--------|------------------|--------------|--------------|
| Decode | Read literal 'n' | Process Data | No operation |

**Example:**                               HERE                BOV Jump

Before Instruction  
PC = address (HERE)  
After Instruction  
If Overflow = 1;  
PC = address (Jump)  
If Overflow = 0;  
PC = address (HERE + 2)

# PIC18F8722 FAMILY

## BZ Branch if Zero

**Syntax:** BZ n

**Operands:**  $-128 \leq n \leq 127$

**Operation:** if Zero bit is '1'  
 $(PC) + 2 + 2n \rightarrow PC$

**Status Affected:** None

**Encoding:**

|      |      |      |      |
|------|------|------|------|
| 1110 | 0000 | nnnn | nnnn |
|------|------|------|------|

**Description:** If the Zero bit is '1', then the program will branch.

The 2's complement number '2n' is added to the PC. Since the PC will have incremented to fetch the next instruction, the new address will be  $PC + 2 + 2n$ . This instruction is then a two-cycle instruction.

**Words:** 1

**Cycles:** 1(2)

**Q Cycle Activity:**

**If Jump:**

| Q1           | Q2               | Q3           | Q4           |
|--------------|------------------|--------------|--------------|
| Decode       | Read literal 'n' | Process Data | Write to PC  |
| No operation | No operation     | No operation | No operation |

**If No Jump:**

| Q1     | Q2               | Q3           | Q4           |
|--------|------------------|--------------|--------------|
| Decode | Read literal 'n' | Process Data | No operation |

**Example:**            HERE            BZ    Jump

Before Instruction  
PC = address (HERE)

After Instruction  
If Zero = 1;  
PC = address (Jump)  
If Zero = 0;  
PC = address (HERE + 2)

## CALL Subroutine Call

**Syntax:** CALL k {,s}

**Operands:**  $0 \leq k \leq 1048575$   
 $s \in [0,1]$

**Operation:**  $(PC) + 4 \rightarrow TOS$ ,  
 $k \rightarrow PC<20:1>$ ,  
if  $s = 1$   
 $(W) \rightarrow WS$ ,  
 $(STATUS) \rightarrow STATUSS$ ,  
 $(BSR) \rightarrow BSRS$

**Status Affected:** None

**Encoding:**

|      |        |       |       |
|------|--------|-------|-------|
| 1110 | 110s   | k7kkk | kkkk0 |
| 1111 | k19kkk | kkkk  | kkkk8 |

**1st word (k<7:0>)**  
**2nd word (k<19:8>)**

**Description:** Subroutine call of entire 2-Mbyte memory range. First, return address  $(PC + 4)$  is pushed onto the return stack. If 's' = 1, the W, STATUS and BSR registers are also pushed into their respective shadow registers, WS, STATUSS and BSRS. If 's' = 0, no update occurs (default). Then, the 20-bit value 'k' is loaded into  $PC<20:1>$ . CALL is a two-cycle instruction.

**Words:** 2

**Cycles:** 2

**Q Cycle Activity:**

| Q1           | Q2   | Q3               | Q4                                     |
|--------------|--|------------------|--|
| Decode       | Read literal 'k'<7:0>,<br>Push PC to stack | Push PC to stack | Read literal 'k'<19:8>,<br>Write to PC |
| No operation | No operation                               | No operation     | No operation                           |

**Example:**            HERE            CALL    THERE , 1

Before Instruction  
PC = address (HERE)

After Instruction  
PC = address (THERE)  
TOS = address (HERE + 4)  
WS = W  
BSRS = BSR  
STATUSS = STATUS

# PIC18F8722 FAMILY

| CLRF              | Clear f  |              |                    |      |      |        |                   |              |                    |
|-------------------|--|--------------|--------------------|------|------|--------|-------------------|--------------|--------------------|
| Syntax:           | CLRF f{,a}   |              |                    |      |      |        |                   |              |                    |
| Operands:         | 0 ≤ f ≤ 255<br>a ∈ [0,1]   |              |                    |      |      |        |                   |              |                    |
| Operation:        | 000h → f<br>1 → Z  |              |                    |      |      |        |                   |              |                    |
| Status Affected:  | Z  |              |                    |      |      |        |                   |              |                    |
| Encoding:         | <table border="1"> <tr> <td>0110</td> <td>101a</td> <td>ffff</td> <td>ffff</td> </tr> </table>   | 0110         | 101a               | ffff | ffff |        |                   |              |                    |
| 0110              | 101a   | ffff         | ffff               |      |      |        |                   |              |                    |
| Description:      | <p>Clears the contents of the specified register.</p> <p>If 'a' is '0', the Access Bank is selected.<br/>If 'a' is '1', the BSR is used to select the GPR bank (default).</p> <p>If 'a' is '0' and the extended instruction set is enabled, this instruction operates in Indexed Literal Offset Addressing mode whenever f ≤ 95 (5Fh). See <b>Section 26.2.3 "Byte-Oriented and Bit-Oriented Instructions in Indexed Literal Offset Mode"</b> for details.</p> |              |                    |      |      |        |                   |              |                    |
| Words:            | 1  |              |                    |      |      |        |                   |              |                    |
| Cycles:           | 1  |              |                    |      |      |        |                   |              |                    |
| Q Cycle Activity: | <table border="1"> <thead> <tr> <th>Q1</th> <th>Q2</th> <th>Q3</th> <th>Q4</th> </tr> </thead> <tbody> <tr> <td>Decode</td> <td>Read register 'f'</td> <td>Process Data</td> <td>Write register 'f'</td> </tr> </tbody> </table>   | Q1           | Q2                 | Q3   | Q4   | Decode | Read register 'f' | Process Data | Write register 'f' |
| Q1                | Q2   | Q3           | Q4                 |      |      |        |                   |              |                    |
| Decode            | Read register 'f'  | Process Data | Write register 'f' |      |      |        |                   |              |                    |

**Example:** CLRF FLAG\_REG, 1

Before Instruction  
FLAG\_REG = 5Ah  
After Instruction  
FLAG\_REG = 00h

| CLRWDT            | Clear Watchdog Timer  |              |              |      |      |        |              |              |              |
|-------------------|---|--------------|--------------|------|------|--------|--------------|--------------|--------------|
| Syntax:           | CLRWDT  |              |              |      |      |        |              |              |              |
| Operands:         | None  |              |              |      |      |        |              |              |              |
| Operation:        | 000h → WDT,<br>000h → WDT postscaler,<br>1 → $\overline{TO}$ ,<br>1 → PD  |              |              |      |      |        |              |              |              |
| Status Affected:  | $\overline{TO}$ , PD  |              |              |      |      |        |              |              |              |
| Encoding:         | <table border="1"> <tr> <td>0000</td> <td>0000</td> <td>0000</td> <td>0100</td> </tr> </table>  | 0000         | 0000         | 0000 | 0100 |        |              |              |              |
| 0000              | 0000  | 0000         | 0100         |      |      |        |              |              |              |
| Description:      | CLRWDT instruction resets the Watchdog Timer. It also resets the postscaler of the WDT. Status bits, $\overline{TO}$ and PD, are set.   |              |              |      |      |        |              |              |              |
| Words:            | 1   |              |              |      |      |        |              |              |              |
| Cycles:           | 1   |              |              |      |      |        |              |              |              |
| Q Cycle Activity: | <table border="1"> <thead> <tr> <th>Q1</th> <th>Q2</th> <th>Q3</th> <th>Q4</th> </tr> </thead> <tbody> <tr> <td>Decode</td> <td>No operation</td> <td>Process Data</td> <td>No operation</td> </tr> </tbody> </table> | Q1           | Q2           | Q3   | Q4   | Decode | No operation | Process Data | No operation |
| Q1                | Q2  | Q3           | Q4           |      |      |        |              |              |              |
| Decode            | No operation  | Process Data | No operation |      |      |        |              |              |              |

**Example:** CLRWDT

Before Instruction  
WDT Counter = ?  
After Instruction  
WDT Counter = 00h  
WDT Postscaler = 0  
 $\overline{TO}$  = 1  
PD = 1

# PIC18F8722 FAMILY

**COMF**                      **Complement f**

Syntax:                    COMF f {,d {,a}}

Operands:                 $0 \leq f \leq 255$   
 $d \in [0,1]$   
 $a \in [0,1]$

Operation:                 $(\bar{f}) \rightarrow \text{dest}$

Status Affected:        N, Z

Encoding:                

|      |      |      |      |
|------|------|------|------|
| 0001 | 11da | ffff | ffff |
|------|------|------|------|

Description:             The contents of register 'f' are complemented. If 'd' is '0', the result is stored in W. If 'd' is '1', the result is stored back in register 'f' (default).

                              If 'a' is '0', the Access Bank is selected. If 'a' is '1', the BSR is used to select the GPR bank (default).

                              If 'a' is '0' and the extended instruction set is enabled, this instruction operates in Indexed Literal Offset Addressing mode whenever  $f \leq 95$  (5Fh). See **Section 26.2.3 "Byte-Oriented and Bit-Oriented Instructions in Indexed Literal Offset Mode"** for details.

Words:                    1

Cycles:                    1

Q Cycle Activity:

| Q1     | Q2                | Q3           | Q4                   |
|--------|-------------------|--------------|----------------------|
| Decode | Read register 'f' | Process Data | Write to destination |

**Example:**                    COMF                    REG, 0, 0

Before Instruction  
REG = 13h

After Instruction  
REG = 13h  
W = ECh

**CPFSEQ**                    **Compare f with W, Skip if f = W**

Syntax:                    CPFSEQ f {,a}

Operands:                 $0 \leq f \leq 255$   
 $a \in [0,1]$

Operation:                 $(f) - (W)$ ,  
skip if  $(f) = (W)$   
(unsigned comparison)

Status Affected:        None

Encoding:                

|      |      |      |      |
|------|------|------|------|
| 0110 | 001a | ffff | ffff |
|------|------|------|------|

Description:             Compares the contents of data memory location 'f' to the contents of W by performing an unsigned subtraction.

                              If  $f = W$ , then the fetched instruction is discarded and a NOP is executed instead, making this a two-cycle instruction.

                              If 'a' is '0', the Access Bank is selected. If 'a' is '1', the BSR is used to select the GPR bank (default).

                              If 'a' is '0' and the extended instruction set is enabled, this instruction operates in Indexed Literal Offset Addressing mode whenever  $f \leq 95$  (5Fh). See **Section 26.2.3 "Byte-Oriented and Bit-Oriented Instructions in Indexed Literal Offset Mode"** for details.

Words:                    1

Cycles:                    1(2)

**Note:** 3 cycles if skip and followed by a 2-word instruction.

Q Cycle Activity:

| Q1     | Q2                | Q3           | Q4           |
|--------|-------------------|--------------|--------------|
| Decode | Read register 'f' | Process Data | No operation |

Q Cycle Activity:

| Q1           | Q2           | Q3           | Q4           |
|--------------|--------------|--------------|--------------|
| No operation | No operation | No operation | No operation |

If skip:

| Q1           | Q2           | Q3           | Q4           |
|--------------|--------------|--------------|--------------|
| No operation | No operation | No operation | No operation |

If skip and followed by 2-word instruction:

| Q1           | Q2           | Q3           | Q4           |
|--------------|--------------|--------------|--------------|
| No operation | No operation | No operation | No operation |
| No operation | No operation | No operation | No operation |

**Example:**                    HERE                    CPFSEQ REG, 0  
                                  NEQUAL                :  
                                  EQUAL                 :

Before Instruction  
PC Address = HERE  
W = ?  
REG = ?

After Instruction  
If REG = W;  
PC = Address (EQUAL)  
If REG  $\neq$  W;  
PC = Address (NEQUAL)

# PIC18F8722 FAMILY

## CPFSGT Compare f with W, Skip if f > W

Syntax: CPFSGT f {,a}

Operands:  $0 \leq f \leq 255$   
 $a \in [0,1]$

Operation:  $(f) - (W)$ ,  
 skip if  $(f) > (W)$   
 (unsigned comparison)

Status Affected: None

Encoding: 

|      |      |      |      |
|------|------|------|------|
| 0110 | 010a | ffff | ffff |
|------|------|------|------|

Description: Compares the contents of data memory location 'f' to the contents of the W by performing an unsigned subtraction.

If the contents of 'f' are greater than the contents of WREG, then the fetched instruction is discarded and a NOP is executed instead, making this a two-cycle instruction.

If 'a' is '0', the Access Bank is selected. If 'a' is '1', the BSR is used to select the GPR bank (default).

If 'a' is '0' and the extended instruction set is enabled, this instruction operates in Indexed Literal Offset Addressing mode whenever  $f \leq 95$  (5Fh). See **Section 26.2.3 "Byte-Oriented and Bit-Oriented Instructions in Indexed Literal Offset Mode"** for details.

Words: 1

Cycles: 1(2)  
**Note:** 3 cycles if skip and followed by a 2-word instruction.

Q Cycle Activity:

| Q1     | Q2                | Q3           | Q4           |
|--------|-------------------|--------------|--------------|
| Decode | Read register 'f' | Process Data | No operation |

If skip:

| Q1           | Q2           | Q3           | Q4           |
|--------------|--------------|--------------|--------------|
| No operation | No operation | No operation | No operation |

If skip and followed by 2-word instruction:

| Q1           | Q2           | Q3           | Q4           |
|--------------|--------------|--------------|--------------|
| No operation | No operation | No operation | No operation |
| No operation | No operation | No operation | No operation |

**Example:**           HERE       CPFSGT REG, 0  
                           NGREATER :  
                           GREATER  :

Before Instruction  
 PC       =   Address (HERE)  
 W        =   ?  
 After Instruction  
 If REG   >   W;  
           PC   =   Address (GREATER)  
 If REG   ≤   W;  
           PC   =   Address (NGREATER)

## CPFSLT Compare f with W, Skip if f < W

Syntax: CPFSLT f {,a}

Operands:  $0 \leq f \leq 255$   
 $a \in [0,1]$

Operation:  $(f) - (W)$ ,  
 skip if  $(f) < (W)$   
 (unsigned comparison)

Status Affected: None

Encoding: 

|      |      |      |      |
|------|------|------|------|
| 0110 | 000a | ffff | ffff |
|------|------|------|------|

Description: Compares the contents of data memory location 'f' to the contents of W by performing an unsigned subtraction.

If the contents of 'f' are less than the contents of W, then the fetched instruction is discarded and a NOP is executed instead, making this a two-cycle instruction.

If 'a' is '0', the Access Bank is selected. If 'a' is '1', the BSR is used to select the GPR bank (default).

Words: 1

Cycles: 1(2)  
**Note:** 3 cycles if skip and followed by a 2-word instruction.

Q Cycle Activity:

| Q1     | Q2                | Q3           | Q4           |
|--------|-------------------|--------------|--------------|
| Decode | Read register 'f' | Process Data | No operation |

If skip:

| Q1           | Q2           | Q3           | Q4           |
|--------------|--------------|--------------|--------------|
| No operation | No operation | No operation | No operation |

If skip and followed by 2-word instruction:

| Q1           | Q2           | Q3           | Q4           |
|--------------|--------------|--------------|--------------|
| No operation | No operation | No operation | No operation |
| No operation | No operation | No operation | No operation |

**Example:**           HERE       CPFSLT REG, 1  
                           NLESS    :  
                           LESS     :

Before Instruction  
 PC       =   Address (HERE)  
 W        =   ?  
 After Instruction  
 If REG   <   W;  
           PC   =   Address (LESS)  
 If REG   ≥   W;  
           PC   =   Address (NLESS)

# PIC18F8722 FAMILY

## DAW Decimal Adjust W Register

**Syntax:** DAW

**Operands:** None

**Operation:** If [W<3:0> > 9] or [DC = 1] then  
(W<3:0>) + 6 → W<3:0>;  
else  
(W<3:0>) → W<3:0>

If [W<7:4> > 9] or [C = 1] then  
(W<7:4>) + 6 → W<7:4>;  
C = 1;  
else  
(W<7:4>) → W<7:4>

**Status Affected:** C

**Encoding:**

|      |      |      |      |
|------|------|------|------|
| 0000 | 0000 | 0000 | 0111 |
|------|------|------|------|

**Description:** DAW adjusts the eight-bit value in W, resulting from the earlier addition of two variables (each in packed BCD format) and produces a correct packed BCD result.

**Words:** 1

**Cycles:** 1

Q Cycle Activity:

| Q1     | Q2              | Q3           | Q4      |
|--------|-----------------|--------------|---------|
| Decode | Read register W | Process Data | Write W |

**Example 1:** DAW

Before Instruction  
W = A5h  
C = 0  
DC = 0

After Instruction  
W = 05h  
C = 1  
DC = 0

**Example 2:**

Before Instruction  
W = CEh  
C = 0  
DC = 0

After Instruction  
W = 34h  
C = 1  
DC = 0

## DECF Decrement f

**Syntax:** DECF f {,d {,a}}

**Operands:**  $0 \leq f \leq 255$   
 $d \in [0,1]$   
 $a \in [0,1]$

**Operation:** (f) – 1 → dest

**Status Affected:** C, DC, N, OV, Z

**Encoding:**

|      |      |      |      |
|------|------|------|------|
| 0000 | 01da | ffff | ffff |
|------|------|------|------|

**Description:** Decrement register 'f'. If 'd' is '0', the result is stored in W. If 'd' is '1', the result is stored back in register 'f' (default).

If 'a' is '0', the Access Bank is selected. If 'a' is '1', the BSR is used to select the GPR bank (default).

If 'a' is '0' and the extended instruction set is enabled, this instruction operates in Indexed Literal Offset Addressing mode whenever  $f \leq 95$  (5Fh). See **Section 26.2.3 "Byte-Oriented and Bit-Oriented Instructions in Indexed Literal Offset Mode"** for details.

**Words:** 1

**Cycles:** 1

Q Cycle Activity:

| Q1     | Q2                | Q3           | Q4                   |
|--------|-------------------|--------------|----------------------|
| Decode | Read register 'f' | Process Data | Write to destination |

**Example:** DECF CNT, 1, 0

Before Instruction  
CNT = 01h  
Z = 0

After Instruction  
CNT = 00h  
Z = 1



# PIC18F8722 FAMILY

## GOTO Unconditional Branch

Syntax: GOTO k

Operands:  $0 \leq k \leq 1048575$

Operation:  $k \rightarrow PC<20:1>$

Status Affected: None

Encoding:

1st word ( $k<7:0>$ )

2nd word ( $k<19:8>$ )

|      |        |       |       |
|------|--------|-------|-------|
| 1110 | 1111   | k7kkk | kkkk0 |
| 1111 | k19kkk | kkkk  | kkkk8 |

Description: GOTO allows an unconditional branch anywhere within entire 2-Mbyte memory range. The 20-bit value 'k' is loaded into PC<20:1>. GOTO is always a two-cycle instruction.

Words: 2

Cycles: 2

Q Cycle Activity:

| Q1           | Q2                     | Q3           | Q4                                  |
|--------------|------------------------|--------------|-------------------------------------|
| Decode       | Read literal 'k'<7:0>. | No operation | Read literal 'k'<19:8>, Write to PC |
| No operation | No operation           | No operation | No operation                        |

**Example:** GOTO THERE

After Instruction

PC = Address (THERE)

## INCF Increment f

Syntax: INCF f {,d {,a}}

Operands:  $0 \leq f \leq 255$

$d \in [0,1]$

$a \in [0,1]$

Operation:  $(f) + 1 \rightarrow \text{dest}$

Status Affected: C, DC, N, OV, Z

Encoding:

|      |      |      |      |
|------|------|------|------|
| 0010 | 10da | ffff | ffff |
|------|------|------|------|

Description:

The contents of register 'f' are incremented. If 'd' is '0', the result is placed in W. If 'd' is '1', the result is placed back in register 'f' (default).

If 'a' is '0', the Access Bank is selected. If 'a' is '1', the BSR is used to select the GPR bank (default).

If 'a' is '0' and the extended instruction set is enabled, this instruction operates in Indexed Literal Offset Addressing mode whenever  $f \leq 95$  (5Fh). See **Section 26.2.3 "Byte-Oriented and Bit-Oriented Instructions in Indexed Literal Offset Mode"** for details.

Words: 1

Cycles: 1

Q Cycle Activity:

| Q1     | Q2                | Q3           | Q4                   |
|--------|-------------------|--------------|----------------------|
| Decode | Read register 'f' | Process Data | Write to destination |

**Example:** INCF CNT, 1, 0

Before Instruction

CNT = FFh

Z = 0

C = ?

DC = ?

After Instruction

CNT = 00h

Z = 1

C = 1

DC = 1



# PIC18F8722 FAMILY

**INCF SZ**                      **Increment f, Skip if 0**

---

Syntax:                      INCF SZ   f {,d {,a}}

Operands:                     $0 \leq f \leq 255$   
 $d \in [0,1]$   
 $a \in [0,1]$

Operation:                     $(f) + 1 \rightarrow \text{dest}$ ,  
skip if result = 0

Status Affected:            None

Encoding:                    

|      |      |      |      |
|------|------|------|------|
| 0011 | 11da | ffff | ffff |
|------|------|------|------|

Description:                The contents of register 'f' are incremented. If 'd' is '0', the result is placed in W. If 'd' is '1', the result is placed back in register 'f'. (default)

                                  If the result is '0', the next instruction which is already fetched is discarded and a NOP is executed instead, making it a two-cycle instruction.

                                  If 'a' is '0', the Access Bank is selected. If 'a' is '1', the BSR is used to select the GPR bank (default).

                                  If 'a' is '0' and the extended instruction set is enabled, this instruction operates in Indexed Literal Offset Addressing mode whenever  $f \leq 95$  (5Fh). See **Section 26.2.3 "Byte-Oriented and Bit-Oriented Instructions in Indexed Literal Offset Mode"** for details.

Words:                        1

Cycles:                        1(2)  
**Note:** 3 cycles if skip and followed by a 2-word instruction.

Q Cycle Activity:

| Q1     | Q2                | Q3           | Q4                   |
|--------|-------------------|--------------|----------------------|
| Decode | Read register 'f' | Process Data | Write to destination |

If skip:

| Q1           | Q2           | Q3           | Q4           |
|--------------|--------------|--------------|--------------|
| No operation | No operation | No operation | No operation |

If skip and followed by 2-word instruction:

| Q1           | Q2           | Q3           | Q4           |
|--------------|--------------|--------------|--------------|
| No operation | No operation | No operation | No operation |
| No operation | No operation | No operation | No operation |

**Example:**                    HERE    INCF SZ    CNT, 1, 0  
                                  NZERO    :  
                                  ZERO     :

Before Instruction  
PC = Address (HERE)

After Instruction  
CNT = CNT + 1  
If CNT = 0;  
PC = Address (ZERO)  
If CNT  $\neq$  0;  
PC = Address (NZERO)

**INFS NZ**                      **Increment f, Skip if not 0**

---

Syntax:                      INFS NZ   f {,d {,a}}

Operands:                     $0 \leq f \leq 255$   
 $d \in [0,1]$   
 $a \in [0,1]$

Operation:                     $(f) + 1 \rightarrow \text{dest}$ ,  
skip if result  $\neq$  0

Status Affected:            None

Encoding:                    

|      |      |      |      |
|------|------|------|------|
| 0100 | 10da | ffff | ffff |
|------|------|------|------|

Description:                The contents of register 'f' are incremented. If 'd' is '0', the result is placed in W. If 'd' is '1', the result is placed back in register 'f' (default).

                                  If the result is not '0', the next instruction which is already fetched is discarded and a NOP is executed instead, making it a two-cycle instruction.

                                  If 'a' is '0', the Access Bank is selected. If 'a' is '1', the BSR is used to select the GPR bank (default).

                                  If 'a' is '0' and the extended instruction set is enabled, this instruction operates in Indexed Literal Offset Addressing mode whenever  $f \leq 95$  (5Fh). See **Section 26.2.3 "Byte-Oriented and Bit-Oriented Instructions in Indexed Literal Offset Mode"** for details.

Words:                        1

Cycles:                        1(2)  
**Note:** 3 cycles if skip and followed by a 2-word instruction.

Q Cycle Activity:

| Q1     | Q2                | Q3           | Q4                   |
|--------|-------------------|--------------|----------------------|
| Decode | Read register 'f' | Process Data | Write to destination |

If skip:

| Q1           | Q2           | Q3           | Q4           |
|--------------|--------------|--------------|--------------|
| No operation | No operation | No operation | No operation |

If skip and followed by 2-word instruction:

| Q1           | Q2           | Q3           | Q4           |
|--------------|--------------|--------------|--------------|
| No operation | No operation | No operation | No operation |
| No operation | No operation | No operation | No operation |

**Example:**                    HERE    INFS NZ    REG, 1, 0  
                                  ZERO     :  
                                  NZERO    :

Before Instruction  
PC = Address (HERE)

After Instruction  
REG = REG + 1  
If REG  $\neq$  0;  
PC = Address (NZERO)  
If REG = 0;  
PC = Address (ZERO)

# PIC18F8722 FAMILY

## IORLW Inclusive OR Literal with W

Syntax: IORLW k

Operands:  $0 \leq k \leq 255$

Operation: (W) .OR. k  $\rightarrow$  W

Status Affected: N, Z

Encoding: 

|      |      |      |      |
|------|------|------|------|
| 0000 | 1001 | kkkk | kkkk |
|------|------|------|------|

Description: The contents of W are ORed with the eight-bit literal 'k'. The result is placed in W.

Words: 1

Cycles: 1

Q Cycle Activity:

| Q1     | Q2               | Q3           | Q4         |
|--------|------------------|--------------|------------|
| Decode | Read literal 'k' | Process Data | Write to W |

**Example:** IORLW 35h

Before Instruction  
W = 9Ah

After Instruction  
W = BFh

## IORWF Inclusive OR W with f

Syntax: IORWF f {,d {,a}}

Operands:  $0 \leq f \leq 255$   
 $d \in [0,1]$   
 $a \in [0,1]$

Operation: (W) .OR. (f)  $\rightarrow$  dest

Status Affected: N, Z

Encoding: 

|      |      |      |      |
|------|------|------|------|
| 0001 | 00da | ffff | ffff |
|------|------|------|------|

Description: Inclusive OR W with register 'f'. If 'd' is '0', the result is placed in W. If 'd' is '1', the result is placed back in register 'f' (default).

If 'a' is '0', the Access Bank is selected. If 'a' is '1', the BSR is used to select the GPR bank (default).

If 'a' is '0' and the extended instruction set is enabled, this instruction operates in Indexed Literal Offset Addressing mode whenever  $f \leq 95$  (5Fh). See **Section 26.2.3 "Byte-Oriented and Bit-Oriented Instructions in Indexed Literal Offset Mode"** for details.

Words: 1

Cycles: 1

Q Cycle Activity:

| Q1     | Q2                | Q3           | Q4                   |
|--------|-------------------|--------------|----------------------|
| Decode | Read register 'f' | Process Data | Write to destination |

**Example:** IORWF RESULT, 0, 1

Before Instruction  
RESULT = 13h  
W = 91h

After Instruction  
RESULT = 13h  
W = 93h

# PIC18F8722 FAMILY

| LFSR              | Load FSR   |                      |              |                                |        |      |        |       |                      |              |                                |        |  |                      |              |                            |
|-------------------|--|----------------------|--------------|--------------------------------|--------|------|--------|-------|----------------------|--------------|--------------------------------|--------|--|----------------------|--------------|----------------------------|
| Syntax:           | LFSR f, k  |                      |              |                                |        |      |        |       |                      |              |                                |        |  |                      |              |                            |
| Operands:         | 0 ≤ f ≤ 2<br>0 ≤ k ≤ 4095  |                      |              |                                |        |      |        |       |                      |              |                                |        |  |                      |              |                            |
| Operation:        | k → FSRf   |                      |              |                                |        |      |        |       |                      |              |                                |        |  |                      |              |                            |
| Status Affected:  | None   |                      |              |                                |        |      |        |       |                      |              |                                |        |  |                      |              |                            |
| Encoding:         | <table border="1"> <tr> <td>1110</td> <td>1110</td> <td>00ff</td> <td>k11kkk</td> </tr> <tr> <td>1111</td> <td>0000</td> <td>k7kkk</td> <td>kkkk</td> </tr> </table>   | 1110                 | 1110         | 00ff                           | k11kkk | 1111 | 0000   | k7kkk | kkkk                 |              |                                |        |  |                      |              |                            |
| 1110              | 1110   | 00ff                 | k11kkk       |                                |        |      |        |       |                      |              |                                |        |  |                      |              |                            |
| 1111              | 0000   | k7kkk                | kkkk         |                                |        |      |        |       |                      |              |                                |        |  |                      |              |                            |
| Description:      | The 12-bit literal 'k' is loaded into the file select register pointed to by 'f'.  |                      |              |                                |        |      |        |       |                      |              |                                |        |  |                      |              |                            |
| Words:            | 2  |                      |              |                                |        |      |        |       |                      |              |                                |        |  |                      |              |                            |
| Cycles:           | 2  |                      |              |                                |        |      |        |       |                      |              |                                |        |  |                      |              |                            |
| Q Cycle Activity: | <table border="1"> <thead> <tr> <th></th> <th>Q1</th> <th>Q2</th> <th>Q3</th> <th>Q4</th> </tr> </thead> <tbody> <tr> <td>Decode</td> <td></td> <td>Read literal 'k' MSB</td> <td>Process Data</td> <td>Write literal 'k' MSB to FSRfH</td> </tr> <tr> <td>Decode</td> <td></td> <td>Read literal 'k' LSB</td> <td>Process Data</td> <td>Write literal 'k' to FSRfL</td> </tr> </tbody> </table> |                      | Q1           | Q2                             | Q3     | Q4   | Decode |       | Read literal 'k' MSB | Process Data | Write literal 'k' MSB to FSRfH | Decode |  | Read literal 'k' LSB | Process Data | Write literal 'k' to FSRfL |
|                   | Q1   | Q2                   | Q3           | Q4                             |        |      |        |       |                      |              |                                |        |  |                      |              |                            |
| Decode            |  | Read literal 'k' MSB | Process Data | Write literal 'k' MSB to FSRfH |        |      |        |       |                      |              |                                |        |  |                      |              |                            |
| Decode            |  | Read literal 'k' LSB | Process Data | Write literal 'k' to FSRfL     |        |      |        |       |                      |              |                                |        |  |                      |              |                            |

**Example:** LFSR 2, 3ABh

After Instruction  
 FSR2H = 03h  
 FSR2L = ABh

| MOVF              | Move f  |                   |              |         |      |    |        |  |                   |              |         |
|-------------------|---|-------------------|--------------|---------|------|----|--------|--|-------------------|--------------|---------|
| Syntax:           | MOVF f {,d {,a}}  |                   |              |         |      |    |        |  |                   |              |         |
| Operands:         | 0 ≤ f ≤ 255<br>d ∈ [0,1]<br>a ∈ [0,1]   |                   |              |         |      |    |        |  |                   |              |         |
| Operation:        | f → dest  |                   |              |         |      |    |        |  |                   |              |         |
| Status Affected:  | N, Z  |                   |              |         |      |    |        |  |                   |              |         |
| Encoding:         | <table border="1"> <tr> <td>0101</td> <td>00da</td> <td>ffff</td> <td>ffff</td> </tr> </table>  | 0101              | 00da         | ffff    | ffff |    |        |  |                   |              |         |
| 0101              | 00da  | ffff              | ffff         |         |      |    |        |  |                   |              |         |
| Description:      | The contents of register 'f' are moved to a destination dependent upon the status of 'd'. If 'd' is '0', the result is placed in W. If 'd' is '1', the result is placed back in register 'f' (default). Location 'f' can be anywhere in the 256-byte bank.<br><br>If 'a' is '0', the Access Bank is selected. If 'a' is '1', the BSR is used to select the GPR bank (default).<br><br>If 'a' is '0' and the extended instruction set is enabled, this instruction operates in Indexed Literal Offset Addressing mode whenever f ≤ 95 (5Fh). See <b>Section 26.2.3 "Byte-Oriented and Bit-Oriented Instructions in Indexed Literal Offset Mode"</b> for details. |                   |              |         |      |    |        |  |                   |              |         |
| Words:            | 1   |                   |              |         |      |    |        |  |                   |              |         |
| Cycles:           | 1   |                   |              |         |      |    |        |  |                   |              |         |
| Q Cycle Activity: | <table border="1"> <thead> <tr> <th></th> <th>Q1</th> <th>Q2</th> <th>Q3</th> <th>Q4</th> </tr> </thead> <tbody> <tr> <td>Decode</td> <td></td> <td>Read register 'f'</td> <td>Process Data</td> <td>Write W</td> </tr> </tbody> </table>   |                   | Q1           | Q2      | Q3   | Q4 | Decode |  | Read register 'f' | Process Data | Write W |
|                   | Q1  | Q2                | Q3           | Q4      |      |    |        |  |                   |              |         |
| Decode            |   | Read register 'f' | Process Data | Write W |      |    |        |  |                   |              |         |

**Example:** MOVF REG, 0, 0

Before Instruction  
 REG = 22h  
 W = FFh  
 After Instruction  
 REG = 22h  
 W = 22h

# PIC18F8722 FAMILY

## MOVFF Move f to f

Syntax: MOVFF  $f_s, f_d$

Operands:  $0 \leq f_s \leq 4095$   
 $0 \leq f_d \leq 4095$

Operation:  $(f_s) \rightarrow f_d$

Status Affected: None

Encoding:

|                    |      |      |      |       |
|--------------------|------|------|------|-------|
| 1st word (source)  | 1100 | ffff | ffff | ffffs |
| 2nd word (destin.) | 1111 | ffff | ffff | ffffd |

Description: The contents of source register ' $f_s$ ' are moved to destination register ' $f_d$ '. Location of source ' $f_s$ ' can be anywhere in the 4096-byte data space (000h to FFFh) and location of destination ' $f_d$ ' can also be anywhere from 000h to FFFh.

Either source or destination can be W (a useful special situation).

MOVFF is particularly useful for transferring a data memory location to a peripheral register (such as the transmit buffer or an I/O port).

The MOVFF instruction cannot use the PCL, TOSU, TOSH or TOSL as the destination register

Words: 2

Cycles: 2 (3)

Q Cycle Activity:

|        | Q1     | Q2                            | Q3           | Q4                        |
|--------|--------|-------------------------------|--------------|---------------------------|
| Decode | Decode | Read register 'f' (src)       | Process Data | No operation              |
| Decode | Decode | No operation<br>No dummy read | No operation | Write register 'f' (dest) |

Example: MOVFF REG1, REG2

Before Instruction  
REG1 = 33h  
REG2 = 11h  
After Instruction  
REG1 = 33h  
REG2 = 33h

## MOVLB Move Literal to Low Nibble in BSR

Syntax: MOVLW k

Operands:  $0 \leq k \leq 255$

Operation:  $k \rightarrow \text{BSR}$

Status Affected: None

Encoding:

|      |      |      |      |
|------|------|------|------|
| 0000 | 0001 | kkkk | kkkk |
|------|------|------|------|

Description: The eight-bit literal 'k' is loaded into the Bank Select Register (BSR). The value of BSR<7:4> always remains '0' regardless of the value of  $k_{7:k_4}$ .

Words: 1

Cycles: 1

Q Cycle Activity:

|        | Q1     | Q2               | Q3           | Q4                       |
|--------|--------|------------------|--------------|--------------------------|
| Decode | Decode | Read literal 'k' | Process Data | Write literal 'k' to BSR |

Example: MOVLB 5

Before Instruction  
BSR Register = 02h  
After Instruction  
BSR Register = 05h

# PIC18F8722 FAMILY

## MOVLW Move Literal to W

Syntax: MOVLW k  
 Operands:  $0 \leq k \leq 255$   
 Operation:  $k \rightarrow W$   
 Status Affected: None  
 Encoding: 

|      |      |      |      |
|------|------|------|------|
| 0000 | 1110 | kkkk | kkkk |
|------|------|------|------|

  
 Description: The eight-bit literal 'k' is loaded into W.  
 Words: 1  
 Cycles: 1

Q Cycle Activity:

| Q1     | Q2                  | Q3              | Q4            |
|--------|---------------------|-----------------|---------------|
| Decode | Read<br>literal 'k' | Process<br>Data | Write to<br>W |

**Example:** MOVLW 5Ah

After Instruction  
 W = 5Ah

## MOVWF Move W to f

Syntax: MOVWF f {,a}  
 Operands:  $0 \leq f \leq 255$   
 $a \in [0,1]$   
 Operation:  $(W) \rightarrow f$   
 Status Affected: None  
 Encoding: 

|      |      |      |      |
|------|------|------|------|
| 0110 | 111a | ffff | ffff |
|------|------|------|------|

  
 Description: Move data from W to register 'f'. Location 'f' can be anywhere in the 256-byte bank.

If 'a' is '0', the Access Bank is selected. If 'a' is '1', the BSR is used to select the GPR bank (default).

If 'a' is '0' and the extended instruction set is enabled, this instruction operates in Indexed Literal Offset Addressing mode whenever  $f \leq 95$  (5Fh). See **Section 26.2.3 "Byte-Oriented and Bit-Oriented Instructions in Indexed Literal Offset Mode"** for details.

Words: 1

Cycles: 1

Q Cycle Activity:

| Q1     | Q2                   | Q3              | Q4                    |
|--------|----------------------|-----------------|-----------------------|
| Decode | Read<br>register 'f' | Process<br>Data | Write<br>register 'f' |

**Example:** MOVWF REG, 0

Before Instruction

W = 4Fh  
 REG = FFh

After Instruction

W = 4Fh  
 REG = 4Fh

# PIC18F8722 FAMILY

## MULLW Multiply Literal with W

Syntax: MULLW k

Operands:  $0 \leq k \leq 255$

Operation:  $(W) \times k \rightarrow \text{PRODH}:\text{PRODL}$

Status Affected: None

Encoding: 

|      |      |      |      |
|------|------|------|------|
| 0000 | 1101 | kkkk | kkkk |
|------|------|------|------|

Description: An unsigned multiplication is carried out between the contents of W and the 8-bit literal 'k'. The 16-bit result is placed in PRODH:PRODL register pair. PRODH contains the high byte. W is unchanged.

None of the status flags are affected.

Note that neither Overflow nor Carry is possible in this operation. A Zero result is possible but not detected.

Words: 1

Cycles: 1

Q Cycle Activity:

| Q1     | Q2               | Q3           | Q4                           |
|--------|------------------|--------------|------------------------------|
| Decode | Read literal 'k' | Process Data | Write registers PRODH: PRODL |

**Example:** MULLW 0C4h

Before Instruction

W = E2h

PRODH = ?

PRODL = ?

After Instruction

W = E2h

PRODH = ADh

PRODL = 08h

## MULWF Multiply W with f

Syntax: MULWF f{,a}

Operands:  $0 \leq f \leq 255$   
 $a \in [0,1]$

Operation:  $(W) \times (f) \rightarrow \text{PRODH}:\text{PRODL}$

Status Affected: None

Encoding: 

|      |      |      |      |
|------|------|------|------|
| 0000 | 001a | ffff | ffff |
|------|------|------|------|

Description: An unsigned multiplication is carried out between the contents of W and the register file location 'f'. The 16-bit result is stored in the PRODH:PRODL register pair. PRODH contains the high byte. Both W and 'f' are unchanged.

None of the status flags are affected.

Note that neither Overflow nor Carry is possible in this operation. A Zero result is possible but not detected.

If 'a' is '0', the Access Bank is selected. If 'a' is '1', the BSR is used to select the GPR bank (default).

If 'a' is '0' and the extended instruction set is enabled, this instruction operates in Indexed Literal Offset Addressing mode whenever  $f \leq 95$  (5Fh). See **Section 26.2.3 "Byte-Oriented and Bit-Oriented Instructions in Indexed Literal Offset Mode"** for details.

Words: 1

Cycles: 1

Q Cycle Activity:

| Q1     | Q2                | Q3           | Q4                           |
|--------|-------------------|--------------|------------------------------|
| Decode | Read register 'f' | Process Data | Write registers PRODH: PRODL |

**Example:** MULWF REG, 1

Before Instruction

W = C4h

REG = B5h

PRODH = ?

PRODL = ?

After Instruction

W = C4h

REG = B5h

PRODH = 8Ah

PRODL = 94h

# PIC18F8722 FAMILY

| NEGF              | Negate f  |              |                    |      |      |        |                   |              |                    |
|-------------------|---|--------------|--------------------|------|------|--------|-------------------|--------------|--------------------|
| Syntax:           | NEGF f {,a}   |              |                    |      |      |        |                   |              |                    |
| Operands:         | $0 \leq f \leq 255$<br>$a \in [0,1]$  |              |                    |      |      |        |                   |              |                    |
| Operation:        | $(\bar{f}) + 1 \rightarrow f$   |              |                    |      |      |        |                   |              |                    |
| Status Affected:  | N, OV, C, DC, Z   |              |                    |      |      |        |                   |              |                    |
| Encoding:         | <table border="1"> <tr> <td>0110</td> <td>110a</td> <td>ffff</td> <td>ffff</td> </tr> </table>  | 0110         | 110a               | ffff | ffff |        |                   |              |                    |
| 0110              | 110a  | ffff         | ffff               |      |      |        |                   |              |                    |
| Description:      | <p>Location 'f' is negated using two's complement. The result is placed in the data memory location 'f'.</p> <p>If 'a' is '0', the Access Bank is selected. If 'a' is '1', the BSR is used to select the GPR bank (default).</p> <p>If 'a' is '0' and the extended instruction set is enabled, this instruction operates in Indexed Literal Offset Addressing mode whenever <math>f \leq 95</math> (5Fh). See <b>Section 26.2.3 "Byte-Oriented and Bit-Oriented Instructions in Indexed Literal Offset Mode"</b> for details.</p> |              |                    |      |      |        |                   |              |                    |
| Words:            | 1   |              |                    |      |      |        |                   |              |                    |
| Cycles:           | 1   |              |                    |      |      |        |                   |              |                    |
| Q Cycle Activity: | <table border="1"> <thead> <tr> <th>Q1</th> <th>Q2</th> <th>Q3</th> <th>Q4</th> </tr> </thead> <tbody> <tr> <td>Decode</td> <td>Read register 'f'</td> <td>Process Data</td> <td>Write register 'f'</td> </tr> </tbody> </table>  | Q1           | Q2                 | Q3   | Q4   | Decode | Read register 'f' | Process Data | Write register 'f' |
| Q1                | Q2  | Q3           | Q4                 |      |      |        |                   |              |                    |
| Decode            | Read register 'f'   | Process Data | Write register 'f' |      |      |        |                   |              |                    |

**Example:**      NEGF    REG, 1

Before Instruction

REG = 0011 1010 [3Ah]

After Instruction

REG = 1100 0110 [C6h]

| NOP               | No Operation  |              |              |      |      |        |              |              |              |
|-------------------|---|--------------|--------------|------|------|--------|--------------|--------------|--------------|
| Syntax:           | NOP   |              |              |      |      |        |              |              |              |
| Operands:         | None  |              |              |      |      |        |              |              |              |
| Operation:        | No operation  |              |              |      |      |        |              |              |              |
| Status Affected:  | None  |              |              |      |      |        |              |              |              |
| Encoding:         | <table border="1"> <tr> <td>0000</td> <td>0000</td> <td>0000</td> <td>0000</td> </tr> <tr> <td>1111</td> <td>xxxx</td> <td>xxxx</td> <td>xxxx</td> </tr> </table>   | 0000         | 0000         | 0000 | 0000 | 1111   | xxxx         | xxxx         | xxxx         |
| 0000              | 0000  | 0000         | 0000         |      |      |        |              |              |              |
| 1111              | xxxx  | xxxx         | xxxx         |      |      |        |              |              |              |
| Description:      | No operation.   |              |              |      |      |        |              |              |              |
| Words:            | 1   |              |              |      |      |        |              |              |              |
| Cycles:           | 1   |              |              |      |      |        |              |              |              |
| Q Cycle Activity: | <table border="1"> <thead> <tr> <th>Q1</th> <th>Q2</th> <th>Q3</th> <th>Q4</th> </tr> </thead> <tbody> <tr> <td>Decode</td> <td>No operation</td> <td>No operation</td> <td>No operation</td> </tr> </tbody> </table> | Q1           | Q2           | Q3   | Q4   | Decode | No operation | No operation | No operation |
| Q1                | Q2  | Q3           | Q4           |      |      |        |              |              |              |
| Decode            | No operation  | No operation | No operation |      |      |        |              |              |              |

**Example:**

None.

# PIC18F8722 FAMILY

## POP Pop Top of Return Stack

Syntax: POP

Operands: None

Operation: (TOS) → bit bucket

Status Affected: None

Encoding: 

|      |      |      |      |
|------|------|------|------|
| 0000 | 0000 | 0000 | 0110 |
|------|------|------|------|

Description: The TOS value is pulled off the return stack and is discarded. The TOS value then becomes the previous value that was pushed onto the return stack. This instruction is provided to enable the user to properly manage the return stack to incorporate a software stack.

Words: 1

Cycles: 1

Q Cycle Activity:

| Q1     | Q2           | Q3            | Q4           |
|--------|--------------|---------------|--------------|
| Decode | No operation | POP TOS value | No operation |

Example:

|      |  |     |
|------|--|-----|
| POP  |  | NEW |
| GOTO |  |     |

Before Instruction

|                      |   |         |
|----------------------|---|---------|
| TOS                  | = | 0031A2h |
| Stack (1 level down) | = | 014332h |

After Instruction

|     |   |         |
|-----|---|---------|
| TOS | = | 014332h |
| PC  | = | NEW     |

## PUSH Push Top of Return Stack

Syntax: PUSH

Operands: None

Operation: (PC + 2) → TOS

Status Affected: None

Encoding: 

|      |      |      |      |
|------|------|------|------|
| 0000 | 0000 | 0000 | 0101 |
|------|------|------|------|

Description: The PC + 2 is pushed onto the top of the return stack. The previous TOS value is pushed down on the stack. This instruction allows implementing a software stack by modifying TOS and then pushing it onto the return stack.

Words: 1

Cycles: 1

Q Cycle Activity:

| Q1     | Q2                            | Q3           | Q4           |
|--------|-------------------------------|--------------|--------------|
| Decode | PUSH PC + 2 onto return stack | No operation | No operation |

Example:

|      |  |  |
|------|--|--|
| PUSH |  |  |
|------|--|--|

Before Instruction

|     |   |       |
|-----|---|-------|
| TOS | = | 345Ah |
| PC  | = | 0124h |

After Instruction

|                      |   |       |
|----------------------|---|-------|
| PC                   | = | 0126h |
| TOS                  | = | 0126h |
| Stack (1 level down) | = | 345Ah |



# PIC18F8722 FAMILY

**RCALL**                      **Relative Call**

Syntax:                      RCALL n

Operands:                     $-1024 \leq n \leq 1023$

Operation:                    (PC) + 2 → TOS,  
                                  (PC) + 2 + 2n → PC

Status Affected:            None

Encoding:                    

|      |      |      |      |
|------|------|------|------|
| 1101 | 1nnn | nnnn | nnnn |
|------|------|------|------|

Description:                Subroutine call with a jump up to 1K from the current location. First, return address (PC + 2) is pushed onto the stack. Then, add the 2's complement number '2n' to the PC. Since the PC will have incremented to fetch the next instruction, the new address will be PC + 2 + 2n. This instruction is a two-cycle instruction.

Words:                        1

Cycles:                        2

Q Cycle Activity:

| Q1           | Q2                                   | Q3           | Q4           |
|--------------|--------------------------------------|--------------|--------------|
| Decode       | Read literal 'n'<br>PUSH PC to stack | Process Data | Write to PC  |
| No operation | No operation                         | No operation | No operation |

**Example:**                    HERE            RCALL Jump

Before Instruction

PC = Address (HERE)

After Instruction

PC = Address (Jump)

TOS = Address (HERE + 2)

**RESET**                      **Reset**

Syntax:                      RESET

Operands:                    None

Operation:                    Reset all registers and flags that are affected by a MCLR Reset.

Status Affected:            All

Encoding:                    

|      |      |      |      |
|------|------|------|------|
| 0000 | 0000 | 1111 | 1111 |
|------|------|------|------|

Description:                This instruction provides a way to execute a MCLR Reset in software.

Words:                        1

Cycles:                        1

Q Cycle Activity:

| Q1     | Q2          | Q3           | Q4           |
|--------|-------------|--------------|--------------|
| Decode | Start reset | No operation | No operation |

**Example:**                    RESET

After Instruction

Registers = Reset Value

Flags\* = Reset Value

# PIC18F8722 FAMILY

## RETFIE Return from Interrupt

**Syntax:** RETFIE {s}

**Operands:** s ∈ [0,1]

**Operation:** (TOS) → PC,  
1 → GIE/GIEH or PEIE/GIEL,  
if s = 1  
(WS) → W,  
(STATUS) → STATUS,  
(BSRS) → BSR,  
PCLATU, PCLATH are unchanged

**Status Affected:** GIE/GIEH, PEIE/GIEL.

|           |      |      |      |      |
|-----------|------|------|------|------|
| Encoding: | 0000 | 0000 | 0001 | 000s |
|-----------|------|------|------|------|

**Description:** Return from interrupt. Stack is popped and Top-of-Stack (TOS) is loaded into the PC. Interrupts are enabled by setting either the high or low-priority global interrupt enable bit. If 's' = 1, the contents of the shadow registers WS, STATUS and BSRS are loaded into their corresponding registers W, STATUS and BSR. If 's' = 0, no update of these registers occurs (default).

**Words:** 1

**Cycles:** 2

**Q Cycle Activity:**

|              | Q1           | Q2           | Q3           | Q4                                    |
|--------------|--------------|--------------|--------------|---------------------------------------|
| Decode       |              | No operation | No operation | POP PC from stack<br>Set GIEH or GIEL |
| No operation | No operation | No operation | No operation | No operation                          |

**Example:** RETFIE 1

After Interrupt

|                     |   |        |
|---------------------|---|--------|
| PC                  | = | TOS    |
| W                   | = | WS     |
| BSR                 | = | BSRS   |
| STATUS              | = | STATUS |
| GIE/GIEH, PEIE/GIEL | = | 1      |

## RETLW Return Literal to W

**Syntax:** RETLW k

**Operands:** 0 ≤ k ≤ 255

**Operation:** k → W,  
(TOS) → PC,  
PCLATU, PCLATH are unchanged

**Status Affected:** None

|           |      |      |      |      |
|-----------|------|------|------|------|
| Encoding: | 0000 | 1100 | kkkk | kkkk |
|-----------|------|------|------|------|

**Description:** W is loaded with the eight-bit literal 'k'. The program counter is loaded from the top of the stack (the return address). The high address latch (PCLATH) remains unchanged.

**Words:** 1

**Cycles:** 2

**Q Cycle Activity:**

|              | Q1           | Q2               | Q3           | Q4                               |
|--------------|--------------|------------------|--------------|----------------------------------|
| Decode       |              | Read literal 'k' | Process Data | POP PC from stack,<br>write to W |
| No operation | No operation | No operation     | No operation | No operation                     |

**Example:**

```
CALL TABLE ; W contains table
              ; offset value
              ; W now has
              ; table value
:
TABLE
  ADDWF PCL ; W = offset
  RETLW k0 ; Begin table
  RETLW k1 ;
:
  RETLW kn ; End of table
```

Before Instruction  
W = 07h

After Instruction  
W = value of kn

# PIC18F8722 FAMILY

**RETURN**                      **Return from Subroutine**

---

Syntax:                      RETURN {s}

Operands:                    s ∈ [0,1]

Operation:                    (TOS) → PC,  
if s = 1  
(WS) → W,  
(STATUS) → STATUS,  
(BSRS) → BSR,  
PCLATU, PCLATH are unchanged

Status Affected:            None

Encoding:                    

|      |      |      |      |
|------|------|------|------|
| 0000 | 0000 | 0001 | 001s |
|------|------|------|------|

Description:                    Return from subroutine. The stack is popped and the top of the stack (TOS) is loaded into the program counter. If 's' = 1, the contents of the shadow registers WS, STATUS and BSRS are loaded into their corresponding registers W, STATUS and BSR. If 's' = 0, no update of these registers occurs (default).

Words:                      1

Cycles:                      2

Q Cycle Activity:

|              | Q1           | Q2           | Q3                | Q4 |
|--------------|--------------|--------------|-------------------|----|
| Decode       | No operation | Process Data | POP PC from stack |    |
| No operation | No operation | No operation | No operation      |    |

**Example:**                      RETURN

After Instruction:  
PC = TOS

**RLCF**                              **Rotate Left f through Carry**

---

Syntax:                      RLCF f {,d {,a}}

Operands:                    0 ≤ f ≤ 255  
d ∈ [0,1]  
a ∈ [0,1]

Operation:                    (f<n>) → dest<n + 1>,  
(f<7>) → C,  
(C) → dest<0>

Status Affected:            C, N, Z

Encoding:                    

|      |      |      |      |
|------|------|------|------|
| 0011 | 01da | ffff | ffff |
|------|------|------|------|

Description:                    The contents of register 'f' are rotated one bit to the left through the Carry flag. If 'd' is '0', the result is placed in W. If 'd' is '1', the result is stored back in register 'f' (default).  
  
If 'a' is '0', the Access Bank is selected. If 'a' is '1', the BSR is used to select the GPR bank (default).  
  
If 'a' is '0' and the extended instruction set is enabled, this instruction operates in Indexed Literal Offset Addressing mode whenever f ≤ 95 (5Fh). See **Section 26.2.3 "Byte-Oriented and Bit-Oriented Instructions in Indexed Literal Offset Mode"** for details.



Words:                      1

Cycles:                      1

Q Cycle Activity:

|        | Q1                | Q2           | Q3                   | Q4 |
|--------|-------------------|--------------|----------------------|----|
| Decode | Read register 'f' | Process Data | Write to destination |    |

**Example:**                      RLCF REG, 0, 0

Before Instruction  
REG = 1110 0110  
C = 0

After Instruction  
REG = 1110 0110  
W = 1100 1100  
C = 1

# PIC18F8722 FAMILY

## RLNCF Rotate Left f (no carry)

Syntax: RLNCF f{,d{,a}}

Operands:  $0 \leq f \leq 255$   
 $d \in [0,1]$   
 $a \in [0,1]$

Operation:  $(f\langle n \rangle) \rightarrow \text{dest}\langle n + 1 \rangle$ ,  
 $(f\langle 7 \rangle) \rightarrow \text{dest}\langle 0 \rangle$

Status Affected: N, Z

Encoding: 

|      |      |      |      |
|------|------|------|------|
| 0100 | 01da | ffff | ffff |
|------|------|------|------|

Description: The contents of register 'f' are rotated one bit to the left. If 'd' is '0', the result is placed in W. If 'd' is '1', the result is stored back in register 'f' (default).  
 If 'a' is '0', the Access Bank is selected. If 'a' is '1', the BSR is used to select the GPR bank (default).  
 If 'a' is '0' and the extended instruction set is enabled, this instruction operates in Indexed Literal Offset Addressing mode whenever  $f \leq 95$  (5Fh). See **Section 26.2.3 "Byte-Oriented and Bit-Oriented Instructions in Indexed Literal Offset Mode"** for details.



Words: 1

Cycles: 1

Q Cycle Activity:

| Q1     | Q2                | Q3           | Q4                   |
|--------|-------------------|--------------|----------------------|
| Decode | Read register 'f' | Process Data | Write to destination |

**Example:** RLNCF REG, 1, 0

Before Instruction  
 REG = 1010 1011  
 After Instruction  
 REG = 0101 0111

## RRCF Rotate Right f through Carry

Syntax: RRCF f{,d{,a}}

Operands:  $0 \leq f \leq 255$   
 $d \in [0,1]$   
 $a \in [0,1]$

Operation:  $(f\langle n \rangle) \rightarrow \text{dest}\langle n - 1 \rangle$ ,  
 $(f\langle 0 \rangle) \rightarrow C$ ,  
 $(C) \rightarrow \text{dest}\langle 7 \rangle$

Status Affected: C, N, Z

Encoding: 

|      |      |      |      |
|------|------|------|------|
| 0011 | 00da | ffff | ffff |
|------|------|------|------|

Description: The contents of register 'f' are rotated one bit to the right through the Carry flag. If 'd' is '0', the result is placed in W. If 'd' is '1', the result is placed back in register 'f' (default).  
 If 'a' is '0', the Access Bank is selected. If 'a' is '1', the BSR is used to select the GPR bank (default).  
 If 'a' is '0' and the extended instruction set is enabled, this instruction operates in Indexed Literal Offset Addressing mode whenever  $f \leq 95$  (5Fh). See **Section 26.2.3 "Byte-Oriented and Bit-Oriented Instructions in Indexed Literal Offset Mode"** for details.



Words: 1

Cycles: 1

Q Cycle Activity:

| Q1     | Q2                | Q3           | Q4                   |
|--------|-------------------|--------------|----------------------|
| Decode | Read register 'f' | Process Data | Write to destination |

**Example:** RRCF REG, 0, 0

Before Instruction  
 REG = 1110 0110  
 C = 0  
 After Instruction  
 REG = 1110 0110  
 W = 0111 0011  
 C = 0

# PIC18F8722 FAMILY

## RRNCF Rotate Right f (no carry)

Syntax: RRNCF f {,d {,a}}

Operands:  $0 \leq f \leq 255$   
 $d \in [0,1]$   
 $a \in [0,1]$

Operation:  $(f \langle n \rangle) \rightarrow \text{dest} \langle n - 1 \rangle$ ,  
 $(f \langle 0 \rangle) \rightarrow \text{dest} \langle 7 \rangle$

Status Affected: N, Z

Encoding: 

|      |      |      |      |
|------|------|------|------|
| 0100 | 00da | ffff | ffff |
|------|------|------|------|

Description: The contents of register 'f' are rotated one bit to the right. If 'd' is '0', the result is placed in W. If 'd' is '1', the result is placed back in register 'f' (default).

If 'a' is '0', the Access Bank will be selected, overriding the BSR value. If 'a' is '1', then the bank will be selected as per the BSR value (default).

If 'a' is '0' and the extended instruction set is enabled, this instruction operates in Indexed Literal Offset Addressing mode whenever  $f \leq 95$  (5Fh). See **Section 26.2.3 "Byte-Oriented and Bit-Oriented Instructions in Indexed Literal Offset Mode"** for details.



Words: 1

Cycles: 1

Q Cycle Activity:

| Q1     | Q2                | Q3           | Q4                   |
|--------|-------------------|--------------|----------------------|
| Decode | Read register 'f' | Process Data | Write to destination |

**Example 1:** RRNCF REG, 1, 0

Before Instruction  
 REG = 1101 0111  
 After Instruction  
 REG = 1110 1011

**Example 2:** RRNCF REG, 0, 0

Before Instruction  
 W = ?  
 REG = 1101 0111  
 After Instruction  
 W = 1110 1011  
 REG = 1101 0111

## SETF Set f

Syntax: SETF f {,a}

Operands:  $0 \leq f \leq 255$   
 $a \in [0,1]$

Operation: FFh  $\rightarrow$  f

Status Affected: None

Encoding: 

|      |      |      |      |
|------|------|------|------|
| 0110 | 100a | ffff | ffff |
|------|------|------|------|

Description: The contents of the specified register are set to FFh.

If 'a' is '0', the Access Bank is selected. If 'a' is '1', the BSR is used to select the GPR bank (default).

If 'a' is '0' and the extended instruction set is enabled, this instruction operates in Indexed Literal Offset Addressing mode whenever  $f \leq 95$  (5Fh). See **Section 26.2.3 "Byte-Oriented and Bit-Oriented Instructions in Indexed Literal Offset Mode"** for details.

Words: 1

Cycles: 1

Q Cycle Activity:

| Q1     | Q2                | Q3           | Q4                 |
|--------|-------------------|--------------|--------------------|
| Decode | Read register 'f' | Process Data | Write register 'f' |

**Example:** SETF REG, 1

Before Instruction  
 REG = 5Ah  
 After Instruction  
 REG = FFh

# PIC18F8722 FAMILY

| SLEEP             | Enter Sleep Mode  |              |             |      |      |        |              |              |             |
|-------------------|---|--------------|-------------|------|------|--------|--------------|--------------|-------------|
| Syntax:           | SLEEP   |              |             |      |      |        |              |              |             |
| Operands:         | None  |              |             |      |      |        |              |              |             |
| Operation:        | 00h → WDT,<br>0 → WDT postscaler,<br>1 → $\overline{TO}$ ,<br>0 → $\overline{PD}$   |              |             |      |      |        |              |              |             |
| Status Affected:  | $\overline{TO}$ , $\overline{PD}$   |              |             |      |      |        |              |              |             |
| Encoding:         | <table border="1"> <tr> <td>0000</td> <td>0000</td> <td>0000</td> <td>0011</td> </tr> </table>  | 0000         | 0000        | 0000 | 0011 |        |              |              |             |
| 0000              | 0000  | 0000         | 0011        |      |      |        |              |              |             |
| Description:      | The Power-Down status bit ( $\overline{PD}$ ) is cleared. The Time-out status bit ( $\overline{TO}$ ) is set. The Watchdog Timer and its postscaler are cleared.<br><br>The processor is put into Sleep mode with the oscillator stopped. |              |             |      |      |        |              |              |             |
| Words:            | 1   |              |             |      |      |        |              |              |             |
| Cycles:           | 1   |              |             |      |      |        |              |              |             |
| Q Cycle Activity: | <table border="1"> <thead> <tr> <th>Q1</th> <th>Q2</th> <th>Q3</th> <th>Q4</th> </tr> </thead> <tbody> <tr> <td>Decode</td> <td>No operation</td> <td>Process Data</td> <td>Go to Sleep</td> </tr> </tbody> </table>                      | Q1           | Q2          | Q3   | Q4   | Decode | No operation | Process Data | Go to Sleep |
| Q1                | Q2  | Q3           | Q4          |      |      |        |              |              |             |
| Decode            | No operation  | Process Data | Go to Sleep |      |      |        |              |              |             |

**Example:** SLEEP

Before Instruction

$\overline{TO}$  = ?  
 $\overline{PD}$  = ?

After Instruction

$\overline{TO}$  = 1 †  
 $\overline{PD}$  = 0

† If WDT causes wake-up, this bit is cleared.

| SUBFWB            | Subtract f from W with Borrow   |              |                      |      |      |        |                   |              |                      |
|-------------------|---|--------------|----------------------|------|------|--------|-------------------|--------------|----------------------|
| Syntax:           | SUBFWB f {,d {,a}}  |              |                      |      |      |        |                   |              |                      |
| Operands:         | 0 ≤ f ≤ 255<br>d ∈ [0,1]<br>a ∈ [0,1]   |              |                      |      |      |        |                   |              |                      |
| Operation:        | (W) – (f) – ( $\overline{C}$ ) → dest   |              |                      |      |      |        |                   |              |                      |
| Status Affected:  | N, OV, C, DC, Z   |              |                      |      |      |        |                   |              |                      |
| Encoding:         | <table border="1"> <tr> <td>0101</td> <td>01da</td> <td>ffff</td> <td>ffff</td> </tr> </table>  | 0101         | 01da                 | ffff | ffff |        |                   |              |                      |
| 0101              | 01da  | ffff         | ffff                 |      |      |        |                   |              |                      |
| Description:      | Subtract register 'f' and Carry flag (borrow) from W (2's complement method). If 'd' is '0', the result is stored in W. If 'd' is '1', the result is stored in register 'f' (default).<br><br>If 'a' is '0', the Access Bank is selected. If 'a' is '1', the BSR is used to select the GPR bank (default).<br><br>If 'a' is '0' and the extended instruction set is enabled, this instruction operates in Indexed Literal Offset Addressing mode whenever f ≤ 95 (5Fh). See <b>Section 26.2.3 "Byte-Oriented and Bit-Oriented Instructions in Indexed Literal Offset Mode"</b> for details. |              |                      |      |      |        |                   |              |                      |
| Words:            | 1   |              |                      |      |      |        |                   |              |                      |
| Cycles:           | 1   |              |                      |      |      |        |                   |              |                      |
| Q Cycle Activity: | <table border="1"> <thead> <tr> <th>Q1</th> <th>Q2</th> <th>Q3</th> <th>Q4</th> </tr> </thead> <tbody> <tr> <td>Decode</td> <td>Read register 'f'</td> <td>Process Data</td> <td>Write to destination</td> </tr> </tbody> </table>  | Q1           | Q2                   | Q3   | Q4   | Decode | Read register 'f' | Process Data | Write to destination |
| Q1                | Q2  | Q3           | Q4                   |      |      |        |                   |              |                      |
| Decode            | Read register 'f'   | Process Data | Write to destination |      |      |        |                   |              |                      |

Words: 1

Cycles: 1

Q Cycle Activity:

| Q1     | Q2                | Q3           | Q4                   |
|--------|-------------------|--------------|----------------------|
| Decode | Read register 'f' | Process Data | Write to destination |

**Example 1:** SUBFWB REG, 1, 0

Before Instruction

REG = 3  
W = 2  
C = 1

After Instruction

REG = FF  
W = 2  
C = 0  
Z = 0  
N = 1 ; result is negative

**Example 2:** SUBFWB REG, 0, 0

Before Instruction

REG = 2  
W = 5  
C = 1

After Instruction

REG = 2  
W = 3  
C = 1  
Z = 0  
N = 0 ; result is positive

**Example 3:** SUBFWB REG, 1, 0

Before Instruction

REG = 1  
W = 2  
C = 0

After Instruction

REG = 0  
W = 2  
C = 1  
Z = 1 ; result is zero  
N = 0

# PIC18F8722 FAMILY

## SUBLW Subtract W from literal

Syntax: SUBLW k  
 Operands:  $0 \leq k \leq 255$   
 Operation:  $k - (W) \rightarrow W$   
 Status Affected: N, OV, C, DC, Z  
 Encoding: 

|      |      |      |      |
|------|------|------|------|
| 0000 | 1000 | kkkk | kkkk |
|------|------|------|------|

  
 Description: W is subtracted from the eight-bit literal 'k'. The result is placed in W.  
 Words: 1  
 Cycles: 1  
 Q Cycle Activity:

| Q1     | Q2               | Q3           | Q4         |
|--------|------------------|--------------|------------|
| Decode | Read literal 'k' | Process Data | Write to W |

**Example 1:** SUBLW 02h

Before Instruction  
 W = 01h  
 C = ?  
 After Instruction  
 W = 01h  
 C = 1 ; result is positive  
 Z = 0  
 N = 0

**Example 2:** SUBLW 02h

Before Instruction  
 W = 02h  
 C = ?  
 After Instruction  
 W = 00h  
 C = 1 ; result is zero  
 Z = 1  
 N = 0

**Example 3:** SUBLW 02h

Before Instruction  
 W = 03h  
 C = ?  
 After Instruction  
 W = FFh ; (2's complement)  
 C = 0 ; result is negative  
 Z = 0  
 N = 1

## SUBWF Subtract W from f

Syntax: SUBWF f {,d {,a}}  
 Operands:  $0 \leq f \leq 255$   
 $d \in [0,1]$   
 $a \in [0,1]$   
 Operation:  $(f) - (W) \rightarrow \text{dest}$   
 Status Affected: N, OV, C, DC, Z  
 Encoding: 

|      |      |      |      |
|------|------|------|------|
| 0101 | 11da | ffff | ffff |
|------|------|------|------|

  
 Description: Subtract W from register 'f' (2's complement method). If 'd' is '0', the result is stored in W. If 'd' is '1', the result is stored back in register 'f' (default).

If 'a' is '0', the Access Bank is selected. If 'a' is '1', the BSR is used to select the GPR bank (default).

If 'a' is '0' and the extended instruction set is enabled, this instruction operates in Indexed Literal Offset Addressing mode whenever  $f \leq 95$  (5Fh). See **Section 26.2.3 "Byte-Oriented and Bit-Oriented Instructions in Indexed Literal Offset Mode"** for details.

Words: 1

Cycles: 1

Q Cycle Activity:

| Q1     | Q2                | Q3           | Q4                   |
|--------|-------------------|--------------|----------------------|
| Decode | Read register 'f' | Process Data | Write to destination |

**Example 1:** SUBWF REG, 1, 0

Before Instruction  
 REG = 3  
 W = 2  
 C = ?  
 After Instruction  
 REG = 1  
 W = 2  
 C = 1 ; result is positive  
 Z = 0  
 N = 0

**Example 2:** SUBWF REG, 0, 0

Before Instruction  
 REG = 2  
 W = 2  
 C = ?  
 After Instruction  
 REG = 2  
 W = 0  
 C = 1 ; result is zero  
 Z = 1  
 N = 0

**Example 3:** SUBWF REG, 1, 0

Before Instruction  
 REG = 1  
 W = 2  
 C = ?  
 After Instruction  
 REG = FFh ; (2's complement)  
 W = 2  
 C = 0 ; result is negative  
 Z = 0  
 N = 1

# PIC18F8722 FAMILY

## SUBWFB Subtract W from f with Borrow

**Syntax:** SUBWFB f {,d {,a}}

**Operands:**  $0 \leq f \leq 255$   
 $d \in [0,1]$   
 $a \in [0,1]$

**Operation:**  $(f) - (W) - (\overline{C}) \rightarrow \text{dest}$

**Status Affected:** N, OV, C, DC, Z

|           |      |      |      |      |
|-----------|------|------|------|------|
| Encoding: | 0101 | 10da | ffff | ffff |
|-----------|------|------|------|------|

**Description:** Subtract W and the Carry flag (borrow) from register 'f' (2's complement method). If 'd' is '0', the result is stored in W. If 'd' is '1', the result is stored back in register 'f' (default).

If 'a' is '0', the Access Bank is selected. If 'a' is '1', the BSR is used to select the GPR bank (default).

If 'a' is '0' and the extended instruction set is enabled, this instruction operates in Indexed Literal Offset Addressing mode whenever  $f \leq 95$  (5Fh). See **Section 26.2.3 "Byte-Oriented and Bit-Oriented Instructions in Indexed Literal Offset Mode"** for details.

**Words:** 1

**Cycles:** 1

**Q Cycle Activity:**

|  | Q1     | Q2                | Q3           | Q4                   |
|--|--------|-------------------|--------------|----------------------|
|  | Decode | Read register 'f' | Process Data | Write to destination |

**Example 1:** SUBWFB REG, 1, 0

**Before Instruction**

REG = 19h (0001 1001)  
W = 0Dh (0000 1101)  
C = 1

**After Instruction**

REG = 0Ch (0000 1011)  
W = 0Dh (0000 1101)  
C = 1  
Z = 0  
N = 0 ; result is positive

**Example 2:** SUBWFB REG, 0, 0

**Before Instruction**

REG = 1Bh (0001 1011)  
W = 1Ah (0001 1010)  
C = 0

**After Instruction**

REG = 1Bh (0001 1011)  
W = 00h  
C = 1  
Z = 1 ; result is zero  
N = 0

**Example 3:** SUBWFB REG, 1, 0

**Before Instruction**

REG = 03h (0000 0011)  
W = 0Eh (0000 1101)  
C = 1

**After Instruction**

REG = F5h (1111 0100)  
; [2's comp]  
W = 0Eh (0000 1101)  
C = 0  
Z = 0  
N = 1 ; result is negative

## SWAPF Swap f

**Syntax:** SWAPF f {,d {,a}}

**Operands:**  $0 \leq f \leq 255$   
 $d \in [0,1]$   
 $a \in [0,1]$

**Operation:**  $(f<3:0>) \rightarrow \text{dest}<7:4>$ ,  
 $(f<7:4>) \rightarrow \text{dest}<3:0>$

**Status Affected:** None

|           |      |      |      |      |
|-----------|------|------|------|------|
| Encoding: | 0011 | 10da | ffff | ffff |
|-----------|------|------|------|------|

**Description:** The upper and lower nibbles of register 'f' are exchanged. If 'd' is '0', the result is placed in W. If 'd' is '1', the result is placed in register 'f' (default).

If 'a' is '0', the Access Bank is selected. If 'a' is '1', the BSR is used to select the GPR bank (default).

If 'a' is '0' and the extended instruction set is enabled, this instruction operates in Indexed Literal Offset Addressing mode whenever  $f \leq 95$  (5Fh). See **Section 26.2.3 "Byte-Oriented and Bit-Oriented Instructions in Indexed Literal Offset Mode"** for details.

**Words:** 1

**Cycles:** 1

**Q Cycle Activity:**

|  | Q1     | Q2                | Q3           | Q4                   |
|--|--------|-------------------|--------------|----------------------|
|  | Decode | Read register 'f' | Process Data | Write to destination |

**Example:** SWAPF REG, 1, 0

**Before Instruction**

REG = 53h

**After Instruction**

REG = 35h



# PIC18F8722 FAMILY

## TBLRD Table Read

**Syntax:** TBLRD (\*; \*+; \*-; +\*)

**Operands:** None

**Operation:** if TBLRD \*,  
(Prog Mem (TBLPTR)) → TABLAT;  
TBLPTR – No Change  
if TBLRD \*+,  
(Prog Mem (TBLPTR)) → TABLAT;  
(TBLPTR) + 1 → TBLPTR  
if TBLRD \*-,  
(Prog Mem (TBLPTR)) → TABLAT;  
(TBLPTR) – 1 → TBLPTR  
if TBLRD +\*,  
(TBLPTR) + 1 → TBLPTR;  
(Prog Mem (TBLPTR)) → TABLAT

**Status Affected:** None

|           |      |      |      |   |
|-----------|------|------|------|---|
| Encoding: | 0000 | 0000 | 0000 | 10nn<br>nn=0 *<br>=1 *+<br>=2 *-<br>=3 +* |
|-----------|------|------|------|---|

**Description:** This instruction is used to read the contents of Program Memory (P.M.). To address the program memory, a pointer called Table Pointer (TBLPTR) is used.

The TBLPTR (a 21-bit pointer) points to each byte in the program memory. TBLPTR has a 2-Mbyte address range.

TBLPTR<0> = 0:Least Significant Byte of Program Memory Word

TBLPTR<0> = 1:Most Significant Byte of Program Memory Word

The TBLRD instruction can modify the value of TBLPTR as follows:

- no change
- post-increment
- post-decrement
- pre-increment

**Words:** 1

**Cycles:** 2

**Q Cycle Activity:**

|              | Q1           | Q2                                 | Q3           | Q4                          |
|--------------|--------------|------------------------------------|--------------|-----------------------------|
| Decode       | No operation | No operation                       | No operation | No operation                |
| No operation | No operation | No operation (Read Program Memory) | No operation | No operation (Write TABLAT) |

## TBLRD Table Read (Continued)

**Example 1:** TBLRD \*+ ;

Before Instruction  
 TABLAT = 55h  
 TBLPTR = 00A356h  
 MEMORY(00A356h) = 34h

After Instruction  
 TABLAT = 34h  
 TBLPTR = 00A357h

**Example 2:** TBLRD \*- ;

Before Instruction  
 TABLAT = AAh  
 TBLPTR = 01A357h  
 MEMORY(01A357h) = 12h  
 MEMORY(01A358h) = 34h

After Instruction  
 TABLAT = 34h  
 TBLPTR = 01A358h

# PIC18F8722 FAMILY

## TBLWT Table Write

Syntax: TBLWT (\*; \*+; \*-; +\*)

Operands: None

Operation: if TBLWT\*,  
(TABLAT) → Holding Register;  
TBLPTR – No Change  
if TBLWT\*+,  
(TABLAT) → Holding Register;  
(TBLPTR) + 1 → TBLPTR  
if TBLWT\*-,  
(TABLAT) → Holding Register;  
(TBLPTR) – 1 → TBLPTR  
if TBLWT\*+\*,  
(TBLPTR) + 1 → TBLPTR;  
(TABLAT) → Holding Register

Status Affected: None

Encoding:

|      |      |      |   |
|------|------|------|---|
| 0000 | 0000 | 0000 | 11nn<br>nn=0 *<br>=1 *+<br>=2 *-<br>=3 +* |
|------|------|------|---|

Description: This instruction uses the 3 LSBs of TBLPTR to determine which of the 8 holding registers the TABLAT is written to. The holding registers are used to program the contents of Program Memory (P.M.). (Refer to **Section 5.0 “Memory Organization”** for additional details on programming Flash memory.)

The TBLPTR (a 21-bit pointer) points to each byte in the program memory. TBLPTR has a 2-Mbyte address range. The LSB of the TBLPTR selects which byte of the program memory location to access.

TBLPTR<0> = 0:Least Significant Byte of Program Memory Word

TBLPTR<0> = 1:Most Significant Byte of Program Memory Word

The TBLWT instruction can modify the value of TBLPTR as follows:

- no change
- post-increment
- post-decrement
- pre-increment

Words: 1

Cycles: 2

Q Cycle Activity:

|        | Q1           | Q2                         | Q3           | Q4                                       |
|--------|--------------|----------------------------|--------------|--|
| Decode | No operation | No operation               | No operation | No operation                             |
|        | No operation | No operation (Read TABLAT) | No operation | No operation (Write to Holding Register) |

## TBLWT Table Write (Continued)

**Example 1:** TBLWT \*+;

Before Instruction

|                            |   |         |
|----------------------------|---|---------|
| TABLAT                     | = | 55h     |
| TBLPTR                     | = | 00A356h |
| HOLDING REGISTER (00A356h) | = | FFh     |

After Instructions (table write completion)

|                            |   |         |
|----------------------------|---|---------|
| TABLAT                     | = | 55h     |
| TBLPTR                     | = | 00A357h |
| HOLDING REGISTER (00A356h) | = | 55h     |

**Example 2:** TBLWT +\*;

Before Instruction

|                            |   |         |
|----------------------------|---|---------|
| TABLAT                     | = | 34h     |
| TBLPTR                     | = | 01389Ah |
| HOLDING REGISTER (01389Ah) | = | FFh     |
| HOLDING REGISTER (01389Bh) | = | FFh     |

After Instruction (table write completion)

|                            |   |         |
|----------------------------|---|---------|
| TABLAT                     | = | 34h     |
| TBLPTR                     | = | 01389Bh |
| HOLDING REGISTER (01389Ah) | = | FFh     |
| HOLDING REGISTER (01389Bh) | = | 34h     |

# PIC18F8722 FAMILY

**TSTFSZ**      **Test f, Skip if 0**

---

Syntax:            TSTFSZ f {,a}

Operands:         $0 \leq f \leq 255$   
 $a \in [0,1]$

Operation:        skip if  $f = 0$

Status Affected:    None

Encoding:        

|      |      |      |      |
|------|------|------|------|
| 0110 | 011a | ffff | ffff |
|------|------|------|------|

Description:      If 'f' = 0, the next instruction fetched during the current instruction execution is discarded and a NOP is executed, making this a two-cycle instruction.

                    If 'a' is '0', the Access Bank is selected. If 'a' is '1', the BSR is used to select the GPR bank (default).

                    If 'a' is '0' and the extended instruction set is enabled, this instruction operates in Indexed Literal Offset Addressing mode whenever  $f \leq 95$  (5Fh). See **Section 26.2.3 "Byte-Oriented and Bit-Oriented Instructions in Indexed Literal Offset Mode"** for details.

Words:            1

Cycles:            1(2)

**Note:** 3 cycles if skip and followed by a 2-word instruction.

Q Cycle Activity:

| Q1     | Q2                | Q3           | Q4           |
|--------|-------------------|--------------|--------------|
| Decode | Read register 'f' | Process Data | No operation |

If skip:

| Q1           | Q2           | Q3           | Q4           |
|--------------|--------------|--------------|--------------|
| No operation | No operation | No operation | No operation |

If skip and followed by 2-word instruction:

| Q1           | Q2           | Q3           | Q4           |
|--------------|--------------|--------------|--------------|
| No operation | No operation | No operation | No operation |
| No operation | No operation | No operation | No operation |

**Example:**

```

HERE    TSTFSZ  CNT, 1
NZERO   :
ZERO    :
```

Before Instruction

PC = Address (HERE)

After Instruction

```

If CNT = 00h,
PC = Address (ZERO)
If CNT ≠ 00h,
PC = Address (NZERO)
```

**XORLW**            **Exclusive OR Literal with W**

---

Syntax:            XORLW k

Operands:         $0 \leq k \leq 255$

Operation:        (W) .XOR. k → W

Status Affected:    N, Z

Encoding:        

|      |      |      |      |
|------|------|------|------|
| 0000 | 1010 | kkkk | kkkk |
|------|------|------|------|

Description:      The contents of W are XORed with the 8-bit literal 'k'. The result is placed in W.

Words:            1

Cycles:            1

Q Cycle Activity:

| Q1     | Q2               | Q3           | Q4         |
|--------|------------------|--------------|------------|
| Decode | Read literal 'k' | Process Data | Write to W |

**Example:**

```

XORLW  0AFh

Before Instruction
W      =  B5h
After Instruction
W      =  1Ah
```

# PIC18F8722 FAMILY

---

## XORWF Exclusive OR W with f

---

Syntax: XORWF f {,d {,a}}

Operands:  $0 \leq f \leq 255$   
 $d \in [0,1]$   
 $a \in [0,1]$

Operation: (W) .XOR. (f) → dest

Status Affected: N, Z

Encoding: 

|      |      |      |      |
|------|------|------|------|
| 0001 | 10da | ffff | ffff |
|------|------|------|------|

Description: Exclusive OR the contents of W with register 'f'. If 'd' is '0', the result is stored in W. If 'd' is '1', the result is stored back in the register 'f' (default).

If 'a' is '0', the Access Bank is selected. If 'a' is '1', the BSR is used to select the GPR bank (default).

If 'a' is '0' and the extended instruction set is enabled, this instruction operates in Indexed Literal Offset Addressing mode whenever  $f \leq 95$  (5Fh). See

**Section 26.2.3 "Byte-Oriented and Bit-Oriented Instructions in Indexed Literal Offset Mode"** for details.

Words: 1

Cycles: 1

Q Cycle Activity:

| Q1     | Q2                | Q3           | Q4                   |
|--------|-------------------|--------------|----------------------|
| Decode | Read register 'f' | Process Data | Write to destination |

**Example:** XORWF REG, 1, 0

Before Instruction

REG = AFh  
W = B5h

After Instruction

REG = 1Ah  
W = B5h

## 26.2 Extended Instruction Set

In addition to the standard 75 instructions of the PIC18 instruction set, the PIC18F8722 family of devices also provide an optional extension to the core CPU functionality. The added features include eight additional instructions that augment Indirect and Indexed Addressing operations and the implementation of Indexed Literal Offset Addressing for many of the standard PIC18 instructions.

The additional features of the extended instruction set are enabled by default. To enable them, users must set the XINST Configuration bit.

The instructions in the extended set can all be classified as literal operations, which either manipulate the File Select Registers, or use them for Indexed Addressing. Two of the instructions, ADDFSR and SUBFSR, each have an additional special instantiation for using FSR2. These versions (ADDULNK and SUBULNK) allow for automatic return after execution.

The extended instructions are specifically implemented to optimize re-entrant program code (that is, code that is recursive or that uses a software stack) written in high-level languages, particularly C. Among other things, they allow users working in high-level languages to perform certain operations on data structures more efficiently. These include:

- dynamic allocation and deallocation of software stack space when entering and leaving subroutines
- function pointer invocation
- software Stack Pointer manipulation
- manipulation of variables located in a software stack

A summary of the instructions in the extended instruction set is provided in Table 26-3. Detailed descriptions are provided in **Section 26.2.2 “Extended Instruction Set”**. The opcode field descriptions in Table 26-1 (page 322) apply to both the standard and extended PIC18 instruction sets.

**Note:** The instruction set extension and the Indexed Literal Offset Addressing mode were designed for optimizing applications written in C; the user may likely never use these instructions directly in assembler. The syntax for these commands is provided as a reference for users who may be reviewing code that has been generated by a compiler.

### 26.2.1 EXTENDED INSTRUCTION SYNTAX

Most of the extended instructions use indexed arguments, using one of the File Select Registers and some offset to specify a source or destination register. When an argument for an instruction serves as part of Indexed Addressing, it is enclosed in square brackets (“[]”). This is done to indicate that the argument is used as an index or offset. The MPASM™ Assembler will flag an error if it determines that an index or offset value is not bracketed.

When the extended instruction set is enabled, brackets are also used to indicate index arguments in byte-oriented and bit-oriented instructions. This is in addition to other changes in their syntax. For more details, see **Section 26.2.3.1 “Extended Instruction Syntax with Standard PIC18 Commands”**.

**Note:** In the past, square brackets have been used to denote optional arguments in the PIC18 and earlier instruction sets. In this text and going forward, optional arguments are denoted by braces (“{ }”).

**TABLE 26-3: EXTENSIONS TO THE PIC18 INSTRUCTION SET**

| Mnemonic,<br>Operands                 | Description   | Cycles | 16-Bit Instruction Word |      |      |      | Status<br>Affected |
|---------------------------------------|---|--------|-------------------------|------|------|------|--------------------|
|                                       |   |        | MSb                     |      | LSb  |      |                    |
| ADDFSR f, k                           | Add Literal to FSR  | 1      | 1110                    | 1000 | ffkk | kkkk | None               |
| ADDULNK k                             | Add Literal to FSR2 and Return  | 2      | 1110                    | 1000 | 11kk | kkkk | None               |
| CALLW                                 | Call Subroutine using WREG  | 2      | 0000                    | 0000 | 0001 | 0100 | None               |
| MOVSF z <sub>s</sub> , f <sub>d</sub> | Move z <sub>s</sub> (source) to 1st word<br>f <sub>d</sub> (destination) 2nd word | 2      | 1110                    | 1011 | 0zzz | zzzz | None               |
| MOVSS z <sub>s</sub> , z <sub>d</sub> | Move z <sub>s</sub> (source) to 1st word<br>z <sub>d</sub> (destination) 2nd word | 2      | 1110                    | 1011 | 1zzz | zzzz | None               |
| PUSHL k                               | Store Literal at FSR2,<br>Decrement FSR2  | 1      | 1110                    | 1010 | kkkk | kkkk | None               |
| SUBFSR f, k                           | Subtract Literal from FSR   | 1      | 1110                    | 1001 | ffkk | kkkk | None               |
| SUBULNK k                             | Subtract Literal from FSR2 and<br>Return  | 2      | 1110                    | 1001 | 11kk | kkkk | None               |

# PIC18F8722 FAMILY

## 26.2.2 EXTENDED INSTRUCTION SET

| ADDFSR            | Add Literal to FSR  |              |              |         |         |        |                  |              |              |
|-------------------|---|--------------|--------------|---------|---------|--------|------------------|--------------|--------------|
| Syntax:           | ADDFSR f, k   |              |              |         |         |        |                  |              |              |
| Operands:         | $0 \leq k \leq 63$<br>$f \in [0, 1, 2]$   |              |              |         |         |        |                  |              |              |
| Operation:        | $FSR(f) + k \rightarrow FSR(f)$   |              |              |         |         |        |                  |              |              |
| Status Affected:  | None  |              |              |         |         |        |                  |              |              |
| Encoding:         | <table border="1" style="display: inline-table;"><tr><td>1110</td><td>1000</td><td>f f k k</td><td>k k k k</td></tr></table>  | 1110         | 1000         | f f k k | k k k k |        |                  |              |              |
| 1110              | 1000  | f f k k      | k k k k      |         |         |        |                  |              |              |
| Description:      | The 6-bit literal 'k' is added to the contents of the FSR specified by 'f'.   |              |              |         |         |        |                  |              |              |
| Words:            | 1   |              |              |         |         |        |                  |              |              |
| Cycles:           | 1   |              |              |         |         |        |                  |              |              |
| Q Cycle Activity: |   |              |              |         |         |        |                  |              |              |
|                   | <table border="1" style="display: inline-table;"><thead><tr><th>Q1</th><th>Q2</th><th>Q3</th><th>Q4</th></tr></thead><tbody><tr><td>Decode</td><td>Read literal 'k'</td><td>Process Data</td><td>Write to FSR</td></tr></tbody></table> | Q1           | Q2           | Q3      | Q4      | Decode | Read literal 'k' | Process Data | Write to FSR |
| Q1                | Q2  | Q3           | Q4           |         |         |        |                  |              |              |
| Decode            | Read literal 'k'  | Process Data | Write to FSR |         |         |        |                  |              |              |

**Example:**           ADDFSR 2, 23h

Before Instruction  
FSR2 = 03FFh  
After Instruction  
FSR2 = 0422h

| ADDULNK           | Add Literal to FSR2 and Return  |              |              |        |         |        |                  |              |              |              |              |              |              |
|-------------------|---|--------------|--------------|--------|---------|--------|------------------|--------------|--------------|--------------|--------------|--------------|--------------|
| Syntax:           | ADDULNK k   |              |              |        |         |        |                  |              |              |              |              |              |              |
| Operands:         | $0 \leq k \leq 63$  |              |              |        |         |        |                  |              |              |              |              |              |              |
| Operation:        | $FSR2 + k \rightarrow FSR2,$<br>$(TOS) \rightarrow PC$  |              |              |        |         |        |                  |              |              |              |              |              |              |
| Status Affected:  | None  |              |              |        |         |        |                  |              |              |              |              |              |              |
| Encoding:         | <table border="1" style="display: inline-table;"><tr><td>1110</td><td>1000</td><td>11 k k</td><td>k k k k</td></tr></table>   | 1110         | 1000         | 11 k k | k k k k |        |                  |              |              |              |              |              |              |
| 1110              | 1000  | 11 k k       | k k k k      |        |         |        |                  |              |              |              |              |              |              |
| Description:      | The 6-bit literal 'k' is added to the contents of FSR2. A RETURN is then executed by loading the PC with the TOS.<br><br>The instruction takes two cycles to execute; a NOP is performed during the second cycle.<br><br>This may be thought of as a special case of the ADDFSR instruction, where $f = 3$ (binary '11'); it operates only on FSR2. |              |              |        |         |        |                  |              |              |              |              |              |              |
| Words:            | 1   |              |              |        |         |        |                  |              |              |              |              |              |              |
| Cycles:           | 2   |              |              |        |         |        |                  |              |              |              |              |              |              |
| Q Cycle Activity: |   |              |              |        |         |        |                  |              |              |              |              |              |              |
|                   | <table border="1" style="display: inline-table;"><thead><tr><th>Q1</th><th>Q2</th><th>Q3</th><th>Q4</th></tr></thead><tbody><tr><td>Decode</td><td>Read literal 'k'</td><td>Process Data</td><td>Write to FSR</td></tr><tr><td>No Operation</td><td>No Operation</td><td>No Operation</td><td>No Operation</td></tr></tbody></table>                | Q1           | Q2           | Q3     | Q4      | Decode | Read literal 'k' | Process Data | Write to FSR | No Operation | No Operation | No Operation | No Operation |
| Q1                | Q2  | Q3           | Q4           |        |         |        |                  |              |              |              |              |              |              |
| Decode            | Read literal 'k'  | Process Data | Write to FSR |        |         |        |                  |              |              |              |              |              |              |
| No Operation      | No Operation  | No Operation | No Operation |        |         |        |                  |              |              |              |              |              |              |

**Example:**           ADDULNK 23h

Before Instruction  
FSR2 = 03FFh  
PC = 0100h  
After Instruction  
FSR2 = 0422h  
PC = (TOS)

**Note:** All PIC18 instructions may take an optional label argument preceding the instruction mnemonic for use in symbolic addressing. If a label is used, the instruction format then becomes: {label} instruction argument(s).

# PIC18F8722 FAMILY

**CALLW Subroutine Call using WREG**

Syntax: CALLW

Operands: None

Operation: (PC + 2) → TOS,  
(W) → PCL,  
(PCLATH) → PCH,  
(PCLATU) → PCU

Status Affected: None

Encoding: 

|      |      |      |      |
|------|------|------|------|
| 0000 | 0000 | 0001 | 0100 |
|------|------|------|------|

Description: First, the return address (PC + 2) is pushed onto the return stack. Next, the contents of W are written to PCL; the existing value is discarded. Then, the contents of PCLATH and PCLATU are latched into PCH and PCU, respectively. The second cycle is executed as a NOP instruction while the new next instruction is fetched.

Unlike CALL, there is no option to update W, STATUS or BSR.

Words: 1

Cycles: 2

Q Cycle Activity:

|              | Q1           | Q2               | Q3           | Q4           |
|--------------|--------------|------------------|--------------|--------------|
| Decode       | Read WREG    | Push PC to stack | No operation | No operation |
| No operation | No operation | No operation     | No operation | No operation |

**Example:**            HERE        CALLW

Before Instruction

PC = address (HERE)

PCLATH = 10h

PCLATU = 00h

W = 06h

After Instruction

PC = 001006h

TOS = address (HERE + 2)

PCLATH = 10h

PCLATU = 00h

W = 06h

**MOVSF Move Indexed to f**

Syntax: MOVSF [z<sub>s</sub>], f<sub>d</sub>

Operands: 0 ≤ z<sub>s</sub> ≤ 127  
0 ≤ f<sub>d</sub> ≤ 4095

Operation: ((FSR2) + z<sub>s</sub>) → f<sub>d</sub>

Status Affected: None

Encoding: 

|      |      |      |       |
|------|------|------|-------|
| 1110 | 1011 | 0zzz | zzzzs |
| 1111 | ffff | ffff | ffffd |

Description: The contents of the source register are moved to destination register 'f<sub>d</sub>'. The actual address of the source register is determined by adding the 7-bit literal offset 'z<sub>s</sub>', in the first word, to the value of FSR2. The address of the destination register is specified by the 12-bit literal 'f<sub>d</sub>' in the second word. Both addresses can be anywhere in the 4096-byte data space (000h to FFFh).

The MOVSF instruction cannot use the PCL, TOSU, TOSH or TOSL as the destination register.

If the resultant source address points to an indirect addressing register, the value returned will be 00h.

Words: 2

Cycles: 2

Q Cycle Activity:

|        | Q1                    | Q2                    | Q3                        | Q4 |
|--------|-----------------------|-----------------------|---------------------------|----|
| Decode | Determine source addr | Determine source addr | Read source reg           |    |
| Decode | No operation          | No operation          | Write register 'f' (dest) |    |
|        | No dummy read         |                       |                           |    |

**Example:**            MOVSF [05h], REG2

Before Instruction

FSR2 = 80h

Contents of 85h = 33h

REG2 = 11h

After Instruction

FSR2 = 80h

Contents of 85h = 33h

REG2 = 33h

# PIC18F8722 FAMILY

## MOVSS Move Indexed to Indexed

Syntax: MOVSS [z<sub>s</sub>], [z<sub>d</sub>]

Operands: 0 ≤ z<sub>s</sub> ≤ 127  
0 ≤ z<sub>d</sub> ≤ 127

Operation: ((FSR2) + z<sub>s</sub>) → ((FSR2) + z<sub>d</sub>)

Status Affected: None

Encoding:

|      |      |      |       |
|------|------|------|-------|
| 1110 | 1011 | 1zzz | zzzss |
| 1111 | xxxx | xzzz | zzzsd |

1st word (source)  
2nd word (dest.)

Description

The contents of the source register are moved to the destination register. The addresses of the source and destination registers are determined by adding the 7-bit literal offsets 'z<sub>s</sub>' or 'z<sub>d</sub>', respectively, to the value of FSR2. Both registers can be located anywhere in the 4096-byte data memory space (000h to FFFh).

The MOVSS instruction cannot use the PCL, TOSU, TOSH or TOSL as the destination register.

If the resultant source address points to an Indirect Addressing register, the value returned will be 00h. If the resultant destination address points to an Indirect Addressing register, the instruction will execute as a NOP.

Words: 2  
Cycles: 2  
Q Cycle Activity:

| Q1     | Q2                    | Q3                    | Q4                |
|--------|-----------------------|-----------------------|-------------------|
| Decode | Determine source addr | Determine source addr | Read source reg   |
| Decode | Determine dest addr   | Determine dest addr   | Write to dest reg |

**Example:** MOVSS [05h], [06h]

Before Instruction

FSR2 = 80h  
 Contents of 85h = 33h  
 Contents of 86h = 11h

After Instruction

FSR2 = 80h  
 Contents of 85h = 33h  
 Contents of 86h = 33h

## PUSHL Store Literal at FSR2, Decrement FSR2

Syntax: PUSHL k

Operands: 0 ≤ k ≤ 255

Operation: k → (FSR2),  
FSR2 - 1 → FSR2

Status Affected: None

Encoding:

|      |      |      |      |
|------|------|------|------|
| 1111 | 1010 | kkkk | kkkk |
|------|------|------|------|

Description:

The 8-bit literal 'k' is written to the data memory address specified by FSR2. FSR2 is decremented by 1 after the operation.

This instruction allows users to push values onto a software stack.

Words: 1  
Cycles: 1  
Q Cycle Activity:

| Q1     | Q2       | Q3           | Q4                   |
|--------|----------|--------------|----------------------|
| Decode | Read 'k' | Process data | Write to destination |

**Example:** PUSHL 08h

Before Instruction

FSR2H:FSR2L = 01ECh  
 Memory (01ECh) = 00h

After Instruction

FSR2H:FSR2L = 01EBh  
 Memory (01ECh) = 08h



# PIC18F8722 FAMILY

## SUBFSR Subtract Literal from FSR

Syntax: SUBFSR f, k  
 Operands:  $0 \leq k \leq 63$   
 $f \in [0, 1, 2]$   
 Operation:  $FSRf - k \rightarrow FSRf$   
 Status Affected: None  
 Encoding: 

|      |      |      |      |
|------|------|------|------|
| 1110 | 1001 | ffkk | kkkk |
|------|------|------|------|

  
 Description: The 6-bit literal 'k' is subtracted from the contents of the FSR specified by 'f'.  
 Words: 1  
 Cycles: 1

Q Cycle Activity:

| Q1     | Q2                | Q3           | Q4                   |
|--------|-------------------|--------------|----------------------|
| Decode | Read register 'f' | Process Data | Write to destination |

**Example:** SUBFSR 2, 23h

Before Instruction  
 FSR2 = 03FFh  
 After Instruction  
 FSR2 = 03DCh

## SUBULNK Subtract Literal from FSR2 and Return

Syntax: SUBULNK k  
 Operands:  $0 \leq k \leq 63$   
 Operation:  $FSR2 - k \rightarrow FSR2$   
 $(TOS) \rightarrow PC$   
 Status Affected: None  
 Encoding: 

|      |      |      |      |
|------|------|------|------|
| 1110 | 1001 | 11kk | kkkk |
|------|------|------|------|

  
 Description: The 6-bit literal 'k' is subtracted from the contents of the FSR2. A RETURN is then executed by loading the PC with the TOS.  
 The instruction takes two cycles to execute; a NOP is performed during the second cycle.

This may be thought of as a special case of the SUBFSR instruction, where  $f = 3$  (binary '11'); it operates only on FSR2.

Words: 1  
 Cycles: 2

Q Cycle Activity:

| Q1           | Q2                | Q3           | Q4                   |
|--------------|-------------------|--------------|----------------------|
| Decode       | Read register 'f' | Process Data | Write to destination |
| No Operation | No Operation      | No Operation | No Operation         |

**Example:** SUBULNK 23h

Before Instruction  
 FSR2 = 03FFh  
 PC = 0100h  
 After Instruction  
 FSR2 = 03DCh  
 PC = (TOS)

# PIC18F8722 FAMILY

---

## 26.2.3 BYTE-ORIENTED AND BIT-ORIENTED INSTRUCTIONS IN INDEXED LITERAL OFFSET MODE

**Note:** Enabling the PIC18 instruction set extension may cause legacy applications to behave erratically or fail entirely.

In addition to eight new commands in the extended set, enabling the extended instruction set also enables Indexed Literal Offset Addressing (**Section 5.5.1 “Indexed Addressing with Literal Offset”**). This has a significant impact on the way that many commands of the standard PIC18 instruction set are interpreted.

When the extended set is disabled, addresses embedded in opcodes are treated as literal memory locations: either as a location in the Access Bank ( $a = 0$ ) or in a GPR bank designated by the BSR ( $a = 1$ ). When the extended instruction set is enabled and  $a = 0$ , however, a file register argument of 5Fh or less is interpreted as an offset from the pointer value in FSR2 and not as a literal address. For practical purposes, this means that all instructions that use the Access RAM bit as an argument – that is, all byte-oriented and bit-oriented instructions, or almost half of the core PIC18 instructions – may behave differently when the extended instruction set is enabled.

When the content of FSR2 is 00h, the boundaries of the Access RAM are essentially remapped to their original values. This may be useful in creating backward-compatible code. If this technique is used, it may be necessary to save the value of FSR2 and restore it when moving back and forth between C and assembly routines in order to preserve the Stack Pointer. Users must also keep in mind the syntax requirements of the extended instruction set (see **Section 26.2.3.1 “Extended Instruction Syntax with Standard PIC18 Commands”**).

Although the Indexed Literal Offset Addressing mode can be very useful for dynamic stack and pointer manipulation, it can also be very annoying if a simple arithmetic operation is carried out on the wrong register. Users who are accustomed to the PIC18 programming must keep in mind that, when the extended instruction set is enabled, register addresses of 5Fh or less are used for Indexed Literal Offset Addressing.

Representative examples of typical byte-oriented and bit-oriented instructions in the Indexed Literal Offset Addressing mode are provided on the following page to show how execution is affected. The operand conditions shown in the examples are applicable to all instructions of these types.

### 26.2.3.1 Extended Instruction Syntax with Standard PIC18 Commands

When the extended instruction set is enabled, the file register argument ‘f’ in the standard byte-oriented and bit-oriented commands is replaced with the literal offset value ‘k’. As already noted, this occurs only when ‘f’ is less than or equal to 5Fh. When an offset value is used, it must be indicated by square brackets (“[ ]”). As with the extended instructions, the use of brackets indicates to the compiler that the value is to be interpreted as an index or an offset. Omitting the brackets, or using a value greater than 5Fh within the brackets, will generate an error in the MPASM Assembler.

If the index argument is properly bracketed for Indexed Literal Offset Addressing, the Access RAM argument is never specified; it will automatically be assumed to be ‘0’. This is in contrast to standard operation (extended instruction set disabled), when ‘a’ is set on the basis of the target address. Declaring the Access RAM bit in this mode will also generate an error in the MPASM Assembler.

The destination argument ‘d’ functions as before.

In the latest versions of the MPASM Assembler, language support for the extended instruction set must be explicitly invoked. This is done with either the command line option, `/y`, or the PE directive in the source listing.

## 26.2.4 CONSIDERATIONS WHEN ENABLING THE EXTENDED INSTRUCTION SET

It is important to note that the extensions to the instruction set may not be beneficial to all users. In particular, users who are not writing code that uses a software stack may not benefit from using the extensions to the instruction set.

Additionally, the Indexed Literal Offset Addressing mode may create issues with legacy applications written to the PIC18 assembler. This is because instructions in the legacy code may attempt to address registers in the Access Bank below 5Fh. Since these addresses are interpreted as literal offsets to FSR2 when the instruction set extension is enabled, the application may read or write to the wrong data addresses.

When porting an application to the PIC18F8722 family, it is very important to consider the type of code. A large, re-entrant application that is written in C and would benefit from efficient compilation will do well when using the instruction set extensions. Legacy applications that heavily use the Access Bank will most likely not benefit from using the extended instruction set.

# PIC18F8722 FAMILY

**ADDWF**      **ADD W to Indexed  
(Indexed Literal Offset mode)**

---

Syntax:            ADDWF    [k] {,d}

Operands:         $0 \leq k \leq 95$   
 $d \in [0,1]$

Operation:         $(W) + ((FSR2) + k) \rightarrow dest$

Status Affected:    N, OV, C, DC, Z

Encoding:        

|      |      |      |      |
|------|------|------|------|
| 0010 | 01d0 | kkkk | kkkk |
|------|------|------|------|

Description:      The contents of W are added to the contents of the register indicated by FSR2, offset by the value 'k'.  
  
 If 'd' is '0', the result is stored in W. If 'd' is '1', the result is stored back in register 'f' (default).

Words:            1

Cycles:            1

Q Cycle Activity:

| Q1     | Q2       | Q3           | Q4                   |
|--------|----------|--------------|----------------------|
| Decode | Read 'k' | Process Data | Write to destination |

**Example:**            ADDWF    [OFST] , 0

Before Instruction

|                   |   |       |
|-------------------|---|-------|
| W                 | = | 17h   |
| OFST              | = | 2Ch   |
| FSR2              | = | 0A00h |
| Contents of 0A2Ch | = | 20h   |

After Instruction

|                   |   |     |
|-------------------|---|-----|
| W                 | = | 37h |
| Contents of 0A2Ch | = | 20h |

**BSF**            **Bit Set Indexed  
(Indexed Literal Offset mode)**

---

Syntax:            BSF    [k], b

Operands:         $0 \leq f \leq 95$   
 $0 \leq b \leq 7$

Operation:         $1 \rightarrow ((FSR2) + k) <b>$

Status Affected:    None

Encoding:        

|      |      |      |      |
|------|------|------|------|
| 1000 | bbb0 | kkkk | kkkk |
|------|------|------|------|

Description:      Bit 'b' of the register indicated by FSR2, offset by the value 'k', is set.

Words:            1

Cycles:            1

Q Cycle Activity:

| Q1     | Q2                | Q3           | Q4                   |
|--------|-------------------|--------------|----------------------|
| Decode | Read register 'f' | Process Data | Write to destination |

**Example:**            BSF      [FLAG\_OFST] , 7

Before Instruction

|                   |   |       |
|-------------------|---|-------|
| FLAG_OFST         | = | 0Ah   |
| FSR2              | = | 0A00h |
| Contents of 0A0Ah | = | 55h   |

After Instruction

|                   |   |     |
|-------------------|---|-----|
| Contents of 0A0Ah | = | D5h |
|-------------------|---|-----|

**SETF**            **Set Indexed  
(Indexed Literal Offset mode)**

---

Syntax:            SETF    [k]

Operands:         $0 \leq k \leq 95$

Operation:         $FFh \rightarrow ((FSR2) + k)$

Status Affected:    None

Encoding:        

|      |      |      |      |
|------|------|------|------|
| 0110 | 1000 | kkkk | kkkk |
|------|------|------|------|

Description:      The contents of the register indicated by FSR2, offset by 'k', are set to FFh.

Words:            1

Cycles:            1

Q Cycle Activity:

| Q1     | Q2       | Q3           | Q4             |
|--------|----------|--------------|----------------|
| Decode | Read 'k' | Process Data | Write register |

**Example:**            SETF      [OFST]

Before Instruction

|                   |   |       |
|-------------------|---|-------|
| OFST              | = | 2Ch   |
| FSR2              | = | 0A00h |
| Contents of 0A2Ch | = | 00h   |

After Instruction

|                   |   |     |
|-------------------|---|-----|
| Contents of 0A2Ch | = | FFh |
|-------------------|---|-----|

# PIC18F8722 FAMILY

---

## 26.2.5 SPECIAL CONSIDERATIONS WITH MICROCHIP MPLAB® IDE TOOLS

The latest versions of Microchip's software tools have been designed to fully support the extended instruction set for the PIC18F8722 family. This includes the MPLAB C18 C Compiler, MPASM assembly language and MPLAB Integrated Development Environment (IDE).

When selecting a target device for software development, MPLAB IDE will automatically set default Configuration bits for that device. The default setting for the XINST Configuration is '0', disabling the extended instruction set and Indexed Literal Offset Addressing mode. For proper execution of applications developed to take advantage of the extended instruction set, XINST must be set during programming.

To develop software for the extended instruction set, the user must enable support for the instructions and the Indexed Addressing mode in their language tool(s). Depending on the environment being used, this may be done in several ways:

- A menu option or dialog box within the environment that allows the user to configure the language tool and its settings for the project
- A command line option
- A directive in the source code

These options vary between different compilers, assemblers and development environments. Users are encouraged to review the documentation accompanying their development systems for the appropriate information.

## 27.0 DEVELOPMENT SUPPORT

The PIC® microcontrollers are supported with a full range of hardware and software development tools:

- Integrated Development Environment
  - MPLAB® IDE Software
- Assemblers/Compilers/Linkers
  - MPASM™ Assembler
  - MPLAB C18 and MPLAB C30 C Compilers
  - MPLINK™ Object Linker/  
MPLIB™ Object Librarian
  - MPLAB ASM30 Assembler/Linker/Library
- Simulators
  - MPLAB SIM Software Simulator
- Emulators
  - MPLAB ICE 2000 In-Circuit Emulator
  - MPLAB REAL ICE™ In-Circuit Emulator
- In-Circuit Debugger
  - MPLAB ICD 2
- Device Programmers
  - PICSTART® Plus Development Programmer
  - MPLAB PM3 Device Programmer
  - PICKit™ 2 Development Programmer
- Low-Cost Demonstration and Development Boards and Evaluation Kits

## 27.1 MPLAB Integrated Development Environment Software

The MPLAB IDE software brings an ease of software development previously unseen in the 8/16-bit microcontroller market. The MPLAB IDE is a Windows® operating system-based application that contains:

- A single graphical interface to all debugging tools
  - Simulator
  - Programmer (sold separately)
  - Emulator (sold separately)
  - In-Circuit Debugger (sold separately)
- A full-featured editor with color-coded context
- A multiple project manager
- Customizable data windows with direct edit of contents
- High-level source code debugging
- Visual device initializer for easy register initialization
- Mouse over variable inspection
- Drag and drop variables from source to watch windows
- Extensive on-line help
- Integration of select third party tools, such as HI-TECH Software C Compilers and IAR C Compilers

The MPLAB IDE allows you to:

- Edit your source files (either assembly or C)
- One touch assemble (or compile) and download to PIC MCU emulator and simulator tools (automatically updates all project information)
- Debug using:
  - Source files (assembly or C)
  - Mixed assembly and C
  - Machine code

MPLAB IDE supports multiple debugging tools in a single development paradigm, from the cost-effective simulators, through low-cost in-circuit debuggers, to full-featured emulators. This eliminates the learning curve when upgrading to tools with increased flexibility and power.

# PIC18F8722 FAMILY

---

## 27.2 MPASM Assembler

The MPASM Assembler is a full-featured, universal macro assembler for all PIC MCUs.

The MPASM Assembler generates relocatable object files for the MPLINK Object Linker, Intel® standard HEX files, MAP files to detail memory usage and symbol reference, absolute LST files that contain source lines and generated machine code and COFF files for debugging.

The MPASM Assembler features include:

- Integration into MPLAB IDE projects
- User-defined macros to streamline assembly code
- Conditional assembly for multi-purpose source files
- Directives that allow complete control over the assembly process

## 27.3 MPLAB C18 and MPLAB C30 C Compilers

The MPLAB C18 and MPLAB C30 Code Development Systems are complete ANSI C compilers for Microchip's PIC18 and PIC24 families of microcontrollers and the dsPIC30 and dsPIC33 family of digital signal controllers. These compilers provide powerful integration capabilities, superior code optimization and ease of use not found with other compilers.

For easy source level debugging, the compilers provide symbol information that is optimized to the MPLAB IDE debugger.

## 27.4 MPLINK Object Linker/ MPLIB Object Librarian

The MPLINK Object Linker combines relocatable objects created by the MPASM Assembler and the MPLAB C18 C Compiler. It can link relocatable objects from precompiled libraries, using directives from a linker script.

The MPLIB Object Librarian manages the creation and modification of library files of precompiled code. When a routine from a library is called from a source file, only the modules that contain that routine will be linked in with the application. This allows large libraries to be used efficiently in many different applications.

The object linker/library features include:

- Efficient linking of single libraries instead of many smaller files
- Enhanced code maintainability by grouping related modules together
- Flexible creation of libraries with easy module listing, replacement, deletion and extraction

## 27.5 MPLAB ASM30 Assembler, Linker and Librarian

MPLAB ASM30 Assembler produces relocatable machine code from symbolic assembly language for dsPIC30F devices. MPLAB C30 C Compiler uses the assembler to produce its object file. The assembler generates relocatable object files that can then be archived or linked with other relocatable object files and archives to create an executable file. Notable features of the assembler include:

- Support for the entire dsPIC30F instruction set
- Support for fixed-point and floating-point data
- Command line interface
- Rich directive set
- Flexible macro language
- MPLAB IDE compatibility

## 27.6 MPLAB SIM Software Simulator

The MPLAB SIM Software Simulator allows code development in a PC-hosted environment by simulating the PIC MCUs and dsPIC® DSCs on an instruction level. On any given instruction, the data areas can be examined or modified and stimuli can be applied from a comprehensive stimulus controller. Registers can be logged to files for further run-time analysis. The trace buffer and logic analyzer display extend the power of the simulator to record and track program execution, actions on I/O, most peripherals and internal registers.

The MPLAB SIM Software Simulator fully supports symbolic debugging using the MPLAB C18 and MPLAB C30 C Compilers, and the MPASM and MPLAB ASM30 Assemblers. The software simulator offers the flexibility to develop and debug code outside of the hardware laboratory environment, making it an excellent, economical software development tool.

## 27.7 MPLAB ICE 2000 High-Performance In-Circuit Emulator

The MPLAB ICE 2000 In-Circuit Emulator is intended to provide the product development engineer with a complete microcontroller design tool set for PIC microcontrollers. Software control of the MPLAB ICE 2000 In-Circuit Emulator is advanced by the MPLAB Integrated Development Environment, which allows editing, building, downloading and source debugging from a single environment.

The MPLAB ICE 2000 is a full-featured emulator system with enhanced trace, trigger and data monitoring features. Interchangeable processor modules allow the system to be easily reconfigured for emulation of different processors. The architecture of the MPLAB ICE 2000 In-Circuit Emulator allows expansion to support new PIC microcontrollers.

The MPLAB ICE 2000 In-Circuit Emulator system has been designed as a real-time emulation system with advanced features that are typically found on more expensive development tools. The PC platform and Microsoft® Windows® 32-bit operating system were chosen to best make these features available in a simple, unified application.

## 27.8 MPLAB REAL ICE In-Circuit Emulator System

MPLAB REAL ICE In-Circuit Emulator System is Microchip's next generation high-speed emulator for Microchip Flash DSC and MCU devices. It debugs and programs PIC® Flash MCUs and dsPIC® Flash DSCs with the easy-to-use, powerful graphical user interface of the MPLAB Integrated Development Environment (IDE), included with each kit.

The MPLAB REAL ICE probe is connected to the design engineer's PC using a high-speed USB 2.0 interface and is connected to the target with either a connector compatible with the popular MPLAB ICD 2 system (RJ11) or with the new high-speed, noise tolerant, Low-Voltage Differential Signal (LVDS) interconnection (CAT5).

MPLAB REAL ICE is field upgradeable through future firmware downloads in MPLAB IDE. In upcoming releases of MPLAB IDE, new devices will be supported, and new features will be added, such as software breakpoints and assembly code trace. MPLAB REAL ICE offers significant advantages over competitive emulators including low-cost, full-speed emulation, real-time variable watches, trace analysis, complex breakpoints, a ruggedized probe interface and long (up to three meters) interconnection cables.

## 27.9 MPLAB ICD 2 In-Circuit Debugger

Microchip's In-Circuit Debugger, MPLAB ICD 2, is a powerful, low-cost, run-time development tool, connecting to the host PC via an RS-232 or high-speed USB interface. This tool is based on the Flash PIC MCUs and can be used to develop for these and other PIC MCUs and dsPIC DSCs. The MPLAB ICD 2 utilizes the in-circuit debugging capability built into the Flash devices. This feature, along with Microchip's In-Circuit Serial Programming™ (ICSP™) protocol, offers cost-effective, in-circuit Flash debugging from the graphical user interface of the MPLAB Integrated Development Environment. This enables a designer to develop and debug source code by setting breakpoints, single stepping and watching variables, and CPU status and peripheral registers. Running at full speed enables testing hardware and applications in real time. MPLAB ICD 2 also serves as a development programmer for selected PIC devices.

## 27.10 MPLAB PM3 Device Programmer

The MPLAB PM3 Device Programmer is a universal, CE compliant device programmer with programmable voltage verification at VDDMIN and VDDMAX for maximum reliability. It features a large LCD display (128 x 64) for menus and error messages and a modular, detachable socket assembly to support various package types. The ICSP™ cable assembly is included as a standard item. In Stand-Alone mode, the MPLAB PM3 Device Programmer can read, verify and program PIC devices without a PC connection. It can also set code protection in this mode. The MPLAB PM3 connects to the host PC via an RS-232 or USB cable. The MPLAB PM3 has high-speed communications and optimized algorithms for quick programming of large memory devices and incorporates an SD/MMC card for file storage and secure data applications.

# PIC18F8722 FAMILY

---

## 27.11 PICSTART<sup>®</sup> Plus Development Programmer

The PICSTART<sup>®</sup> Plus Development Programmer is an easy-to-use, low-cost, prototype programmer. It connects to the PC via a COM (RS-232) port. MPLAB Integrated Development Environment software makes using the programmer simple and efficient. The PICSTART Plus Development Programmer supports most PIC devices in DIP packages up to 40 pins. Larger pin count devices, such as the PIC16C92X and PIC17C76X, may be supported with an adapter socket. The PICSTART Plus Development Programmer is CE compliant.

## 27.12 PICkit<sup>™</sup> 2 Development Programmer

The PICkit<sup>™</sup> 2 Development Programmer is a low-cost programmer and selected Flash device debugger with an easy-to-use interface for programming many of Microchip's baseline, mid-range and PIC18F families of Flash memory microcontrollers. The PICkit 2 Starter Kit includes a prototyping development board, twelve sequential lessons, software and HI-TECH's PICC<sup>™</sup> Lite C compiler, and is designed to help get up to speed quickly using PIC<sup>®</sup> microcontrollers. The kit provides everything needed to program, evaluate and develop applications using Microchip's powerful, mid-range Flash memory family of microcontrollers.

## 27.13 Demonstration, Development and Evaluation Boards

A wide variety of demonstration, development and evaluation boards for various PIC MCUs and dsPIC DSCs allows quick application development on fully functional systems. Most boards include prototyping areas for adding custom circuitry and provide application firmware and source code for examination and modification.

The boards support a variety of features, including LEDs, temperature sensors, switches, speakers, RS-232 interfaces, LCD displays, potentiometers and additional EEPROM memory.

The demonstration and development boards can be used in teaching environments, for prototyping custom circuits and for learning about various microcontroller applications.

In addition to the PICDEM<sup>™</sup> and dsPICDEM<sup>™</sup> demonstration/development board series of circuits, Microchip has a line of evaluation kits and demonstration software for analog filter design, KEELOQ<sup>®</sup> security ICs, CAN, IrDA<sup>®</sup>, PowerSmart battery management, SEEVAL<sup>®</sup> evaluation system, Sigma-Delta ADC, flow rate sensing, plus many more.

Check the Microchip web page ([www.microchip.com](http://www.microchip.com)) for the complete list of demonstration, development and evaluation kits.



## 28.0 ELECTRICAL CHARACTERISTICS

### Absolute Maximum Ratings<sup>(†)</sup>

|  |                       |
|--|-----------------------|
| Ambient temperature under bias .....   | -40°C to +125°C       |
| Storage temperature .....  | -65°C to +150°C       |
| Voltage on any pin with respect to VSS (except VDD and $\overline{\text{MCLR}}$ ) .....  | -0.3V to (VDD + 0.3V) |
| Voltage on VDD with respect to VSS .....   | -0.3V to +7.5V        |
| Voltage on $\overline{\text{MCLR}}$ with respect to VSS ( <b>Note 2</b> ) .....          | 0V to +13.25V         |
| Total power dissipation ( <b>Note 1</b> ) .....  | 1.0W                  |
| Maximum current out of VSS pin .....   | 300 mA                |
| Maximum current into VDD pin .....   | 250 mA                |
| Input clamp current, I <sub>IK</sub> (V <sub>I</sub> < 0 or V <sub>I</sub> > VDD) .....  | ±20 mA                |
| Output clamp current, I <sub>OK</sub> (V <sub>O</sub> < 0 or V <sub>O</sub> > VDD) ..... | ±20 mA                |
| Maximum output current sunk by any I/O pin .....   | 25 mA                 |
| Maximum output current sourced by any I/O pin .....                                      | 25 mA                 |
| Maximum current sunk by all ports .....  | 200 mA                |
| Maximum current sourced by all ports .....   | 200 mA                |

**Note 1:** Power dissipation is calculated as follows:

$$P_{dis} = V_{DD} \times \{I_{DD} - \sum I_{OH}\} + \sum \{(V_{DD} - V_{OH}) \times I_{OH}\} + \sum (V_{OL} \times I_{OL})$$

- 2:** Voltage spikes below VSS at the RG5/ $\overline{\text{MCLR}}$ /VPP pin, inducing currents greater than 80 mA, may cause latch-up. Thus, a series resistor of 50-100Ω should be used when applying a “low” level to the RG5/ $\overline{\text{MCLR}}$ /VPP pin, rather than pulling this pin directly to VSS.

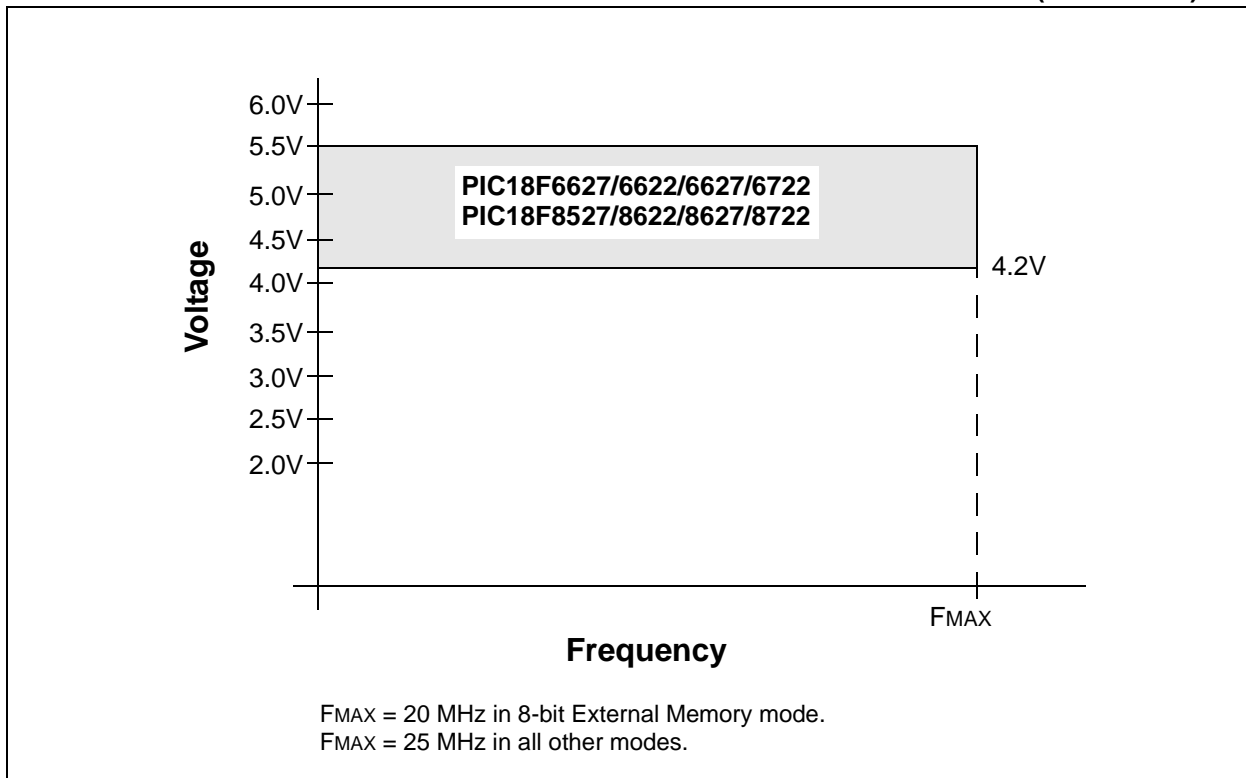
† **NOTICE:** Stresses above those listed under “Absolute Maximum Ratings” may cause permanent damage to the device. This is a stress rating only and functional operation of the device at those or any other conditions above those indicated in the operation listings of this specification is not implied. Exposure to maximum rating conditions for extended periods may affect device reliability.

# PIC18F8722 FAMILY

FIGURE 28-1: PIC18F8722 DEVICE FAMILY VOLTAGE-FREQUENCY GRAPH (INDUSTRIAL)

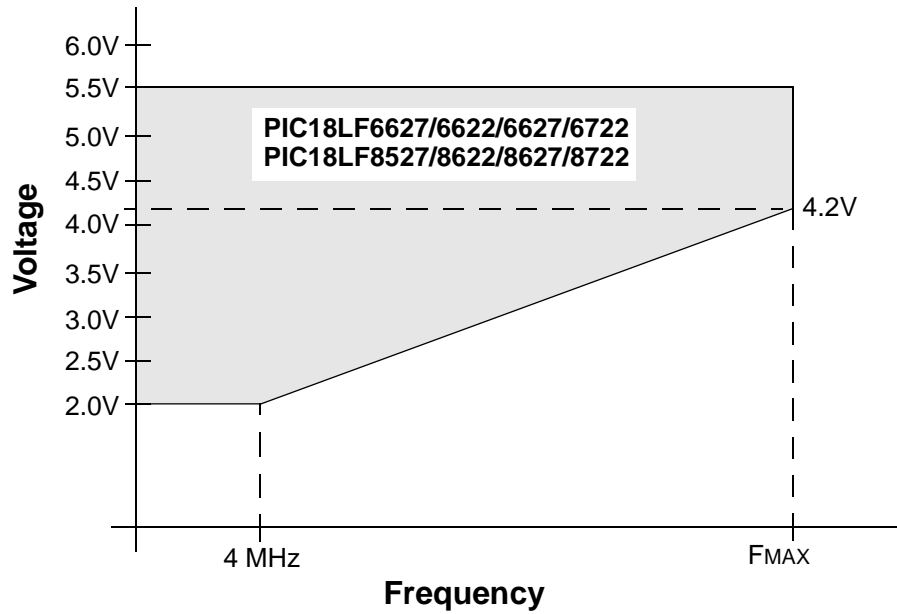


FIGURE 28-2: PIC18F8722 DEVICE FAMILY VOLTAGE-FREQUENCY GRAPH (EXTENDED)



# PIC18F8722 FAMILY

FIGURE 28-3: PIC18LF8722 DEVICE FAMILY VOLTAGE-FREQUENCY GRAPH (INDUSTRIAL)



In 8-bit External Memory mode:

$F_{MAX} = (9.55 \text{ MHz/V}) (V_{DDAPP_{MIN}} - 2.0\text{V}) + 4 \text{ MHz}$ , if  $V_{DDAPP_{MIN}} \leq 4.2\text{V}$ ;

$F_{MAX} = 25 \text{ MHz}$ , if  $V_{DDAPP_{MIN}} > 4.2\text{V}$ .

In all other modes:

$F_{MAX} = (16.36 \text{ MHz/V}) (V_{DDAPP_{MIN}} - 2.0\text{V}) + 4 \text{ MHz}$ ;

$F_{MAX} = 40 \text{ MHz}$ , if  $V_{DDAPP_{MIN}} > 4.2\text{V}$ .

**Note:**  $V_{DDAPP_{MIN}}$  is the minimum voltage of the PIC<sup>®</sup> device in the application.

# PIC18F8722 FAMILY

## 28.1 DC Characteristics: Supply Voltage PIC18F6X27/6X22/8X27/8X22 (Industrial, Extended) PIC18LF6X27/6X22/8X27/8X22 (Industrial)

| PIC18LF6X27/6X22/8X27/8X22<br>(Industrial)          |        | Standard Operating Conditions (unless otherwise stated)<br>Operating temperature -40°C ≤ TA ≤ +85°C for industrial                                     |      |      |             |       |  |
|---|--------|--|------|------|-------------|-------|--|
| PIC18F6X27/6X22/8X27/8X22<br>(Industrial, Extended) |        | Standard Operating Conditions (unless otherwise stated)<br>Operating temperature -40°C ≤ TA ≤ +85°C for industrial<br>-40°C ≤ TA ≤ +125°C for extended |      |      |             |       |  |
| Param No.   | Symbol | Characteristic   | Min  | Typ  | Max         | Units | Conditions   |
| D001  | VDD    | <b>Supply Voltage</b>  |      |      |             |       |  |
|   |        | PIC18LF6X27/6X22/8X27/8X22   | 2.0  | —    | 5.5         | V     |  |
|   |        | PIC18F6X27/6X22/8X27/8X22  | 4.2  | —    | 5.5         | V     |  |
| D002  | VDR    | <b>RAM Data Retention Voltage<sup>(1)</sup></b>  | 1.5  | —    | —           | V     |  |
| D003  | VPOR   | <b>VDD Start Voltage</b><br>to Ensure Internal<br>Power-on Reset Signal  | —    | —    | 0.7         | V     | See Section 4.3 “Power-on Reset (POR)” for details |
| D004  | SVDD   | <b>VDD Rise Rate</b><br>to Ensure Internal<br>Power-on Reset Signal  | 0.05 | —    | —           | V/ms  | See Section 4.3 “Power-on Reset (POR)” for details |
| D005  | VBOR   | <b>Brown-out Reset Voltage</b>   |      |      |             |       |  |
|   |        | BORV<1:0> = 11   | 2.00 | 2.05 | 2.16        | V     | PIC18LF6627/6722/8627/8722                         |
|   |        | BORV<1:0> = 11   | 2.00 | 2.11 | 2.22        | V     | PIC18LF6527/6622/8527/8622                         |
|   |        | BORV<1:0> = 10   | 2.65 | 2.79 | 2.93        | V     | PIC18LF6X27/6X22/8X27/8X22                         |
|   |        | BORV<1:0> = 01 <sup>(2)</sup>  | 4.11 | 4.33 | 4.55        | V     | All devices  |
| BORV<1:0> = 00                                      | 4.36   | 4.59   | 4.82 | V    | All devices |       |  |

**Legend:** Shading of rows is to assist in readability of the table.

**Note 1:** This is the limit to which VDD can be lowered in Sleep mode, or during a device Reset, without losing RAM data.

**Note 2:** With BOR enabled, full-speed operation (FOSC = 40 MHz) is supported until a BOR occurs. The VDD may be below the minimum voltage for this frequency.

# PIC18F8722 FAMILY

## 28.2 DC Characteristics: Power-Down and Supply Current PIC18F6X27/6X22/8X27/8X22 (Industrial, Extended) PIC18LF6X27/6X22/8X27/8X22 (Industrial)

| <b>PIC18LF6X27/6X22/8X27/8X22</b><br>(Industrial)          |                            | <b>Standard Operating Conditions (unless otherwise stated)</b><br>Operating temperature -40°C ≤ TA ≤ +85°C for industrial                                     |     |       |            |  |
|--|----------------------------|---|-----|-------|------------|--|
| <b>PIC18F6X27/6X22/8X27/8X22</b><br>(Industrial, Extended) |                            | <b>Standard Operating Conditions (unless otherwise stated)</b><br>Operating temperature -40°C ≤ TA ≤ +85°C for industrial<br>-40°C ≤ TA ≤ +125°C for extended |     |       |            |  |
| Param No.  | Device                     | Typ   | Max | Units | Conditions |  |
| <b>Power-Down Current (IPD)<sup>(1)</sup></b>              |                            |   |     |       |            |  |
|  | PIC18LF6X27/6X22/8X27/8X22 | 120   | 700 | nA    | -40°C      | V <sub>DD</sub> = 2.0V<br>(Sleep mode) |
|  |                            | 120   | 700 | nA    | +25°C      |  |
|  |                            | 0.24  | 3.0 | μA    | +85°C      |  |
|  | PIC18LF6X27/6X22/8X27/8X22 | 120   | 900 | nA    | -40°C      | V <sub>DD</sub> = 3.0V<br>(Sleep mode) |
|  |                            | 120   | 900 | nA    | +25°C      |  |
|  |                            | 0.36  | 6   | μA    | +85°C      |  |
|  | All devices                | 0.12  | 2   | μA    | -40°C      | V <sub>DD</sub> = 5.0V<br>(Sleep mode) |
|  |                            | 0.12  | 2   | μA    | +25°C      |  |
|  |                            | 0.48  | 9   | μA    | +85°C      |  |
|  | Extended devices only      | 12  | 100 | μA    | +125°C     |  |

**Legend:** Shading of rows is to assist in readability of the table.

- Note 1:** The power-down current in Sleep mode does not depend on the oscillator type. Power-down current is measured with the part in Sleep mode, with all I/O pins in high-impedance state and tied to V<sub>DD</sub> or V<sub>SS</sub> and all features that add delta current disabled (such as WDT, Timer1 Oscillator, BOR, etc.).
- 2:** The supply current is mainly a function of operating voltage, frequency and mode. Other factors, such as I/O pin loading and switching rate, oscillator type and circuit, internal code execution pattern and temperature, also have an impact on the current consumption.  
The test conditions for all I<sub>DD</sub> measurements in active operation mode are:  
OSC1 = external square wave, from rail-to-rail; all I/O pins tri-stated, pulled to V<sub>DD</sub> OR V<sub>SS</sub>;  
MCLR = V<sub>DD</sub>; WDT enabled/disabled as specified.
- 3:** When operation below -10°C is expected, use T1OSC High-Power mode, where LPT1OSC (CONFIG3H<2>) = 0. When operation will always be above -10°C, then the low-power Timer1 oscillator may be selected.
- 4:** BOR and HLVD enable internal band gap reference. With both modules enabled, current consumption will be less than the sum of both specifications.

# PIC18F8722 FAMILY

## 28.2 DC Characteristics: Power-Down and Supply Current PIC18F6X27/6X22/8X27/8X22 (Industrial, Extended) PIC18LF6X27/6X22/8X27/8X22 (Industrial) (Continued)

| PIC18LF6X27/6X22/8X27/8X22<br>(Industrial)          |                            | Standard Operating Conditions (unless otherwise stated)<br>Operating temperature -40°C ≤ TA ≤ +85°C for industrial                                     |     |        |            |            |   |
|---|----------------------------|--|-----|--------|------------|------------|---|
| PIC18F6X27/6X22/8X27/8X22<br>(Industrial, Extended) |                            | Standard Operating Conditions (unless otherwise stated)<br>Operating temperature -40°C ≤ TA ≤ +85°C for industrial<br>-40°C ≤ TA ≤ +125°C for extended |     |        |            |            |   |
| Param No.   | Device                     | Typ  | Max | Units  | Conditions |            |   |
| <b>Supply Current (IDD)<sup>(2)</sup></b>           |                            |  |     |        |            |            |   |
| PIC18LF6X27/6X22/8X27/8X22                          | PIC18LF6X27/6X22/8X27/8X22 | 18   | 25  | μA     | -40°C      | VDD = 2.0V | FOSC = 31 kHz<br>(RC_RUN mode,<br>Internal oscillator source) |
|   |                            | 18   | 22  | μA     | +25°C      |            |   |
|   |                            | 18   | 25  | μA     | +85°C      |            |   |
|   | PIC18LF6X27/6X22/8X27/8X22 | 48   | 70  | μA     | -40°C      | VDD = 3.0V |   |
|   |                            | 42   | 50  | μA     | +25°C      |            |   |
|   |                            | 36   | 47  | μA     | +85°C      |            |   |
|   | All devices                | 126  | 180 | μA     | -40°C      | VDD = 5.0V |   |
|   |                            | 108  | 150 | μA     | +25°C      |            |   |
|   |                            | 96   | 140 | μA     | +85°C      |            |   |
| Extended devices only                               | 96                         | 230  | μA  | +125°C |            |            |   |
| PIC18LF6X27/6X22/8X27/8X22                          | PIC18LF6X27/6X22/8X27/8X22 | 380  | 440 | μA     | -40°C      | VDD = 2.0V |   |
|   |                            | 380  | 440 | μA     | +25°C      |            |   |
|   |                            | 380  | 440 | μA     | +85°C      |            |   |
| PIC18LF6X27/6X22/8X27/8X22                          | PIC18LF6X27/6X22/8X27/8X22 | 720  | 800 | μA     | -40°C      | VDD = 3.0V |   |
|   |                            | 700  | 740 | μA     | +25°C      |            |   |
|   |                            | 720  | 740 | μA     | +85°C      |            |   |
| All devices   | 1.2                        | 1.4  | mA  | -40°C  | VDD = 5.0V |            |   |
|   | 1.2                        | 1.3  | mA  | +25°C  |            |            |   |
|   | 1.2                        | 1.3  | mA  | +85°C  |            |            |   |
| Extended devices only                               | 1.2                        | 1.4  | mA  | +125°C |            |            |   |
| PIC18LF6X27/6X22/8X27/8X22                          | PIC18LF6X27/6X22/8X27/8X22 | 380  | 440 | μA     | -40°C      | VDD = 2.0V | FOSC = 1 MHz<br>(RC_RUN mode,<br>Internal oscillator source)  |
|   |                            | 380  | 440 | μA     | +25°C      |            |   |
|   |                            | 380  | 440 | μA     | +85°C      |            |   |
|   | PIC18LF6X27/6X22/8X27/8X22 | 720  | 800 | μA     | -40°C      | VDD = 3.0V |   |
|   |                            | 700  | 740 | μA     | +25°C      |            |   |
|   |                            | 720  | 740 | μA     | +85°C      |            |   |
|   | All devices                | 1.2  | 1.4 | mA     | -40°C      | VDD = 5.0V |   |
|   |                            | 1.2  | 1.3 | mA     | +25°C      |            |   |
|   |                            | 1.2  | 1.3 | mA     | +85°C      |            |   |
| Extended devices only                               | 1.2                        | 1.4  | mA  | +125°C |            |            |   |

**Legend:** Shading of rows is to assist in readability of the table.

- Note 1:** The power-down current in Sleep mode does not depend on the oscillator type. Power-down current is measured with the part in Sleep mode, with all I/O pins in high-impedance state and tied to VDD or VSS and all features that add delta current disabled (such as WDT, Timer1 Oscillator, BOR, etc.).
- 2:** The supply current is mainly a function of operating voltage, frequency and mode. Other factors, such as I/O pin loading and switching rate, oscillator type and circuit, internal code execution pattern and temperature, also have an impact on the current consumption.  
The test conditions for all IDD measurements in active operation mode are:  
OSC1 = external square wave, from rail-to-rail; all I/O pins tri-stated, pulled to VDD OR VSS;  
MCLR = VDD; WDT enabled/disabled as specified.
- 3:** When operation below -10°C is expected, use T1OSC High-Power mode, where LPT1OSC (CONFIG3H<2>) = 0. When operation will always be above -10°C, then the low-power Timer1 oscillator may be selected.
- 4:** BOR and HLVD enable internal band gap reference. With both modules enabled, current consumption will be less than the sum of both specifications.

# PIC18F8722 FAMILY

## 28.2 DC Characteristics: Power-Down and Supply Current PIC18F6X27/6X22/8X27/8X22 (Industrial, Extended) PIC18LF6X27/6X22/8X27/8X22 (Industrial) (Continued)

| PIC18LF6X27/6X22/8X27/8X22<br>(Industrial)          |                            | Standard Operating Conditions (unless otherwise stated)<br>Operating temperature -40°C ≤ TA ≤ +85°C for industrial                                     |     |        |  |  |
|---|----------------------------|--|-----|--------|--|--|
| PIC18F6X27/6X22/8X27/8X22<br>(Industrial, Extended) |                            | Standard Operating Conditions (unless otherwise stated)<br>Operating temperature -40°C ≤ TA ≤ +85°C for industrial<br>-40°C ≤ TA ≤ +125°C for extended |     |        |  |  |
| Param No.   | Device                     | Typ  | Max | Units  | Conditions   |  |
| <b>Supply Current (IDD)<sup>(2)</sup></b>           |                            |  |     |        |  |  |
| PIC18LF6X27/6X22/8X27/8X22                          | PIC18LF6X27/6X22/8X27/8X22 | 1.0  | 1.3 | mA     | -40°C  | V <sub>DD</sub> = 2.0V<br><br>V <sub>DD</sub> = 3.0V<br><br>V <sub>DD</sub> = 5.0V<br><br>F <sub>OSC</sub> = 4 MHz<br>(RC_RUN mode,<br>Internal oscillator source) |
|   |                            | 1.0  | 1.3 | mA     | +25°C  |  |
|   |                            | 1.0  | 1.3 | mA     | +85°C  |  |
|   | PIC18LF6X27/6X22/8X27/8X22 | 1.6  | 1.9 | mA     | -40°C  |  |
|   |                            | 1.6  | 1.9 | mA     | +25°C  |  |
|   |                            | 1.6  | 1.9 | mA     | +85°C  |  |
|   | All devices                | 3.0  | 3.5 | mA     | -40°C  |  |
|   |                            | 3.0  | 3.4 | mA     | +25°C  |  |
|   |                            | 3.0  | 3.4 | mA     | +85°C  |  |
| Extended devices only                               | 3.0                        | 3.4  | mA  | +125°C |  |  |
| PIC18LF6X27/6X22/8X27/8X22                          | 3.5                        | 5  | μA  | -40°C  | V <sub>DD</sub> = 2.0V<br><br>V <sub>DD</sub> = 3.0V<br><br>V <sub>DD</sub> = 5.0V<br><br>F <sub>OSC</sub> = 31 kHz<br>(RC_IDLE mode,<br>Internal oscillator source) |  |
|   | 3.7                        | 5  | μA  | +25°C  |  |  |
|   | 4.3                        | 9.5  | μA  | +85°C  |  |  |
| PIC18LF6X27/6X22/8X27/8X22                          | 5.4                        | 7  | μA  | -40°C  |  |  |
|   | 5.7                        | 8  | μA  | +25°C  |  |  |
|   | 7.0                        | 15   | μA  | +85°C  |  |  |
| All devices   | 11                         | 15   | μA  | -40°C  |  |  |
|   | 11.8                       | 15   | μA  | +25°C  |  |  |
|   | 13.5                       | 35   | μA  | +85°C  |  |  |
| Extended devices only                               | 25                         | 200  | μA  | +125°C |  |  |

**Legend:** Shading of rows is to assist in readability of the table.

- Note 1:** The power-down current in Sleep mode does not depend on the oscillator type. Power-down current is measured with the part in Sleep mode, with all I/O pins in high-impedance state and tied to V<sub>DD</sub> or V<sub>SS</sub> and all features that add delta current disabled (such as WDT, Timer1 Oscillator, BOR, etc.).
- 2:** The supply current is mainly a function of operating voltage, frequency and mode. Other factors, such as I/O pin loading and switching rate, oscillator type and circuit, internal code execution pattern and temperature, also have an impact on the current consumption.  
The test conditions for all IDD measurements in active operation mode are:  
OSC1 = external square wave, from rail-to-rail; all I/O pins tri-stated, pulled to V<sub>DD</sub> OR V<sub>SS</sub>;  
MCLR = V<sub>DD</sub>; WDT enabled/disabled as specified.
- 3:** When operation below -10°C is expected, use T1OSC High-Power mode, where LPT1OSC (CONFIG3H<2>) = 0. When operation will always be above -10°C, then the low-power Timer1 oscillator may be selected.
- 4:** BOR and HLVD enable internal band gap reference. With both modules enabled, current consumption will be less than the sum of both specifications.

# PIC18F8722 FAMILY

## 28.2 DC Characteristics: Power-Down and Supply Current PIC18F6X27/6X22/8X27/8X22 (Industrial, Extended) PIC18LF6X27/6X22/8X27/8X22 (Industrial) (Continued)

| PIC18LF6X27/6X22/8X27/8X22<br>(Industrial)          |        | Standard Operating Conditions (unless otherwise stated)                                     |     |       |            |            |   |
|---|--------|---|-----|-------|------------|------------|---|
|   |        | Operating temperature -40°C ≤ TA ≤ +85°C for industrial                                     |     |       |            |            |   |
| PIC18F6X27/6X22/8X27/8X22<br>(Industrial, Extended) |        | Standard Operating Conditions (unless otherwise stated)                                     |     |       |            |            |   |
|   |        | Operating temperature -40°C ≤ TA ≤ +85°C for industrial<br>-40°C ≤ TA ≤ +125°C for extended |     |       |            |            |   |
| Param No.   | Device | Typ   | Max | Units | Conditions |            |   |
| <b>Supply Current (IDD)<sup>(2)</sup></b>           |        |   |     |       |            |            |   |
| PIC18LF6X27/6X22/8X27/8X22                          |        | 200   | 250 | μA    | -40°C      | VDD = 2.0V | FOSC = 1 MHz<br>(RC_IDLE mode,<br>Internal oscillator source) |
|   |        | 210   | 250 | μA    | +25°C      |            |   |
|   |        | 228   | 270 | μA    | +85°C      |            |   |
| PIC18LF6X27/6X22/8X27/8X22                          |        | 300   | 360 | μA    | -40°C      | VDD = 3.0V |   |
|   |        | 324   | 360 | μA    | +25°C      |            |   |
|   |        | 350   | 380 | μA    | +85°C      |            |   |
| All devices   |        | 500   | 600 | μA    | -40°C      | VDD = 5.0V |   |
|   |        | 520   | 600 | μA    | +25°C      |            |   |
|   |        | 550   | 620 | μA    | +85°C      |            |   |
| Extended devices only                               |        | 720   | 800 | μA    | +125°C     |            |   |
| PIC18LF6X27/6X22/8X27/8X22                          |        | 410   | 500 | μA    | -40°C      | VDD = 2.0V | FOSC = 4 MHz<br>(RC_IDLE mode,<br>Internal oscillator source) |
|   |        | 420   | 490 | μA    | +25°C      |            |   |
|   |        | 430   | 490 | μA    | +85°C      |            |   |
| PIC18LF6X27/6X22/8X27/8X22                          |        | 630   | 800 | μA    | -40°C      | VDD = 3.0V |   |
|   |        | 650   | 790 | μA    | +25°C      |            |   |
|   |        | 690   | 800 | μA    | +85°C      |            |   |
| All devices   |        | 1.2   | 1.4 | mA    | -40°C      | VDD = 5.0V |   |
|   |        | 1.3   | 1.4 | mA    | +25°C      |            |   |
|   |        | 1.2   | 1.4 | mA    | +85°C      |            |   |
| Extended devices only                               |        | 1.2   | 1.6 | mA    | +125°C     |            |   |

**Legend:** Shading of rows is to assist in readability of the table.

- Note 1:** The power-down current in Sleep mode does not depend on the oscillator type. Power-down current is measured with the part in Sleep mode, with all I/O pins in high-impedance state and tied to VDD or VSS and all features that add delta current disabled (such as WDT, Timer1 Oscillator, BOR, etc.).
- 2:** The supply current is mainly a function of operating voltage, frequency and mode. Other factors, such as I/O pin loading and switching rate, oscillator type and circuit, internal code execution pattern and temperature, also have an impact on the current consumption.  
The test conditions for all IDD measurements in active operation mode are:  
OSC1 = external square wave, from rail-to-rail; all I/O pins tri-stated, pulled to VDD OR VSS;  
MCLR = VDD; WDT enabled/disabled as specified.
- 3:** When operation below -10°C is expected, use T1OSC High-Power mode, where LPT1OSC (CONFIG3H<2>) = 0. When operation will always be above -10°C, then the low-power Timer1 oscillator may be selected.
- 4:** BOR and HLVD enable internal band gap reference. With both modules enabled, current consumption will be less than the sum of both specifications.



# PIC18F8722 FAMILY

## 28.2 DC Characteristics: Power-Down and Supply Current PIC18F6X27/6X22/8X27/8X22 (Industrial, Extended) PIC18LF6X27/6X22/8X27/8X22 (Industrial) (Continued)

| PIC18LF6X27/6X22/8X27/8X22<br>(Industrial)          |        | Standard Operating Conditions (unless otherwise stated)<br>Operating temperature -40°C ≤ TA ≤ +85°C for industrial                                     |      |       |            |            |  |
|---|--------|--|------|-------|------------|------------|--|
| PIC18F6X27/6X22/8X27/8X22<br>(Industrial, Extended) |        | Standard Operating Conditions (unless otherwise stated)<br>Operating temperature -40°C ≤ TA ≤ +85°C for industrial<br>-40°C ≤ TA ≤ +125°C for extended |      |       |            |            |  |
| Param No.   | Device | Typ  | Max  | Units | Conditions |            |  |
| <b>Supply Current (IDD)<sup>(2)</sup></b>           |        |  |      |       |            |            |  |
| PIC18LF6X27/6X22/8X27/8X22                          |        | 300  | 350  | μA    | -40°C      | VDD = 2.0V | FOSC = 1 MHz<br>(PRI_RUN mode,<br>EC oscillator) |
|   |        | 310  | 350  | μA    | +25°C      |            |  |
|   |        | 300  | 350  | μA    | +85°C      |            |  |
| PIC18LF6X27/6X22/8X27/8X22                          |        | 660  | 800  | μA    | -40°C      | VDD = 3.0V |  |
|   |        | 580  | 700  | μA    | +25°C      |            |  |
|   |        | 550  | 670  | μA    | +85°C      |            |  |
| All devices   |        | 1.2  | 1.75 | mA    | -40°C      | VDD = 5.0V |  |
|   |        | 1.1  | 1.4  | mA    | +25°C      |            |  |
|   |        | 1.0  | 1.3  | mA    | +85°C      |            |  |
| Extended devices only                               |        | 1.0  | 1.4  | mA    | +125°C     |            |  |
| PIC18LF6X27/6X22/8X27/8X22                          |        | 0.86   | 1.2  | mA    | -40°C      | VDD = 2.0V | FOSC = 4 MHz<br>(PRI_RUN mode,<br>EC oscillator) |
|   |        | 0.88   | 1.2  | mA    | +25°C      |            |  |
|   |        | 0.88   | 1.2  | mA    | +85°C      |            |  |
| PIC18LF6X27/6X22/8X27/8X22                          |        | 1.6  | 1.9  | mA    | -40°C      | VDD = 3.0V |  |
|   |        | 1.6  | 1.8  | mA    | +25°C      |            |  |
|   |        | 1.6  | 1.8  | mA    | +85°C      |            |  |
| All devices   |        | 3.2  | 3.6  | mA    | -40°C      | VDD = 5.0V |  |
|   |        | 3.1  | 3.5  | mA    | +25°C      |            |  |
|   |        | 3.0  | 3.5  | mA    | +85°C      |            |  |
| Extended devices only                               |        | 3.1  | 3.5  | mA    | +125°C     |            |  |

**Legend:** Shading of rows is to assist in readability of the table.

- Note 1:** The power-down current in Sleep mode does not depend on the oscillator type. Power-down current is measured with the part in Sleep mode, with all I/O pins in high-impedance state and tied to VDD or VSS and all features that add delta current disabled (such as WDT, Timer1 Oscillator, BOR, etc.).
- 2:** The supply current is mainly a function of operating voltage, frequency and mode. Other factors, such as I/O pin loading and switching rate, oscillator type and circuit, internal code execution pattern and temperature, also have an impact on the current consumption.  
The test conditions for all IDD measurements in active operation mode are:  
OSC1 = external square wave, from rail-to-rail; all I/O pins tri-stated, pulled to VDD OR VSS;  
MCLR = VDD; WDT enabled/disabled as specified.
- 3:** When operation below -10°C is expected, use T1OSC High-Power mode, where LPT1OSC (CONFIG3H<2>) = 0. When operation will always be above -10°C, then the low-power Timer1 oscillator may be selected.
- 4:** BOR and HLVD enable internal band gap reference. With both modules enabled, current consumption will be less than the sum of both specifications.

# PIC18F8722 FAMILY

## 28.2 DC Characteristics: Power-Down and Supply Current PIC18F6X27/6X22/8X27/8X22 (Industrial, Extended) PIC18LF6X27/6X22/8X27/8X22 (Industrial) (Continued)

| PIC18LF6X27/6X22/8X27/8X22<br>(Industrial)           |        | Standard Operating Conditions (unless otherwise stated)<br>Operating temperature $-40^{\circ}\text{C} \leq T_A \leq +85^{\circ}\text{C}$ for industrial  |      |       |            |                        |   |
|--|--------|--|------|-------|------------|------------------------|---|
| PIC18F6X27/6X22/8X27/8X22<br>(Industrial, Extended)  |        | Standard Operating Conditions (unless otherwise stated)<br>Operating temperature $-40^{\circ}\text{C} \leq T_A \leq +85^{\circ}\text{C}$ for industrial<br>$-40^{\circ}\text{C} \leq T_A \leq +125^{\circ}\text{C}$ for extended |      |       |            |                        |   |
| Param No.  | Device | Typ  | Max  | Units | Conditions |                        |   |
| <b>Supply Current (I<sub>DD</sub>)<sup>(2)</sup></b> |        |  |      |       |            |                        |   |
| Extended devices only                                |        | 10   | 15   | mA    | +125°C     | V <sub>DD</sub> = 4.2V | F <sub>OSC</sub> = 25 MHz<br>( <b>PRI_RUN</b> mode,<br>EC oscillator) |
|  |        | 13   | 18   | mA    | +125°C     | V <sub>DD</sub> = 5.0V |   |
| All devices  |        | 18   | 23.5 | mA    | -40°C      | V <sub>DD</sub> = 4.2V | F <sub>OSC</sub> = 40 MHz<br>( <b>PRI_RUN</b> mode,<br>EC oscillator) |
|  |        | 19   | 23.5 | mA    | +25°C      |                        |   |
|  |        | 19   | 23.5 | mA    | +85°C      |                        |   |
| All devices  |        | 25   | 29   | mA    | -40°C      | V <sub>DD</sub> = 5.0V |   |
|  |        | 25   | 29   | mA    | +25°C      |                        |   |
|  |        | 25   | 29   | mA    | +85°C      |                        |   |

**Legend:** Shading of rows is to assist in readability of the table.

- Note 1:** The power-down current in Sleep mode does not depend on the oscillator type. Power-down current is measured with the part in Sleep mode, with all I/O pins in high-impedance state and tied to V<sub>DD</sub> or V<sub>SS</sub> and all features that add delta current disabled (such as WDT, Timer1 Oscillator, BOR, etc.).
- 2:** The supply current is mainly a function of operating voltage, frequency and mode. Other factors, such as I/O pin loading and switching rate, oscillator type and circuit, internal code execution pattern and temperature, also have an impact on the current consumption.  
The test conditions for all I<sub>DD</sub> measurements in active operation mode are:  
OSC1 = external square wave, from rail-to-rail; all I/O pins tri-stated, pulled to V<sub>DD</sub> OR V<sub>SS</sub>;  
MCLR = V<sub>DD</sub>; WDT enabled/disabled as specified.
- 3:** When operation below -10°C is expected, use T1OSC High-Power mode, where LPT1OSC (CONFIG3H<2>) = 0. When operation will always be above -10°C, then the low-power Timer1 oscillator may be selected.
- 4:** BOR and HLVD enable internal band gap reference. With both modules enabled, current consumption will be less than the sum of both specifications.

# PIC18F8722 FAMILY

## 28.2 DC Characteristics: Power-Down and Supply Current PIC18F6X27/6X22/8X27/8X22 (Industrial, Extended) PIC18LF6X27/6X22/8X27/8X22 (Industrial) (Continued)

| PIC18LF6X27/6X22/8X27/8X22<br>(Industrial)           |                       | Standard Operating Conditions (unless otherwise stated)<br>Operating temperature $-40^{\circ}\text{C} \leq T_A \leq +85^{\circ}\text{C}$ for industrial  |      |       |                        |   |
|--|-----------------------|--|------|-------|------------------------|---|
| PIC18F6X27/6X22/8X27/8X22<br>(Industrial, Extended)  |                       | Standard Operating Conditions (unless otherwise stated)<br>Operating temperature $-40^{\circ}\text{C} \leq T_A \leq +85^{\circ}\text{C}$ for industrial<br>$-40^{\circ}\text{C} \leq T_A \leq +125^{\circ}\text{C}$ for extended |      |       |                        |   |
| Param No.  | Device                | Typ  | Max  | Units | Conditions             |   |
| <b>Supply Current (I<sub>DD</sub>)<sup>(2)</sup></b> |                       |  |      |       |                        |   |
|  | All devices           | 9.0  | 13   | mA    | $-40^{\circ}\text{C}$  | V <sub>DD</sub> = 4.2V<br><br>FOSC = 4 MHz,<br>16 MHz internal<br>(PRI_RUN HS+PLL)  |
|  |                       | 9.0  | 13   | mA    | $+25^{\circ}\text{C}$  |   |
|  |                       | 9.0  | 13   | mA    | $+85^{\circ}\text{C}$  |   |
|  | Extended devices only | 9.6  | 15   | mA    | $+125^{\circ}\text{C}$ |   |
|  | All devices           | 12   | 15   | mA    | $-40^{\circ}\text{C}$  | V <sub>DD</sub> = 5.0V<br><br>FOSC = 4 MHz,<br>16 MHz internal<br>(PRI_RUN HS+PLL)  |
|  |                       | 12   | 15   | mA    | $+25^{\circ}\text{C}$  |   |
|  |                       | 12   | 15   | mA    | $+85^{\circ}\text{C}$  |   |
|  | Extended devices only | 12   | 17   | mA    | $+125^{\circ}\text{C}$ |   |
|  | All devices           | 18   | 23.5 | mA    | $-40^{\circ}\text{C}$  | V <sub>DD</sub> = 4.2V<br><br>FOSC = 10 MHz,<br>40 MHz internal<br>(PRI_RUN HS+PLL) |
|  |                       | 19   | 23.5 | mA    | $+25^{\circ}\text{C}$  |   |
|  |                       | 19   | 23.5 | mA    | $+85^{\circ}\text{C}$  |   |
|  | All devices           | 25   | 29   | mA    | $-40^{\circ}\text{C}$  | V <sub>DD</sub> = 5.0V<br><br>FOSC = 10 MHz,<br>40 MHz internal<br>(PRI_RUN HS+PLL) |
|  |                       | 25   | 29   | mA    | $+25^{\circ}\text{C}$  |   |
|  |                       | 25   | 29   | mA    | $+85^{\circ}\text{C}$  |   |

**Legend:** Shading of rows is to assist in readability of the table.

- Note 1:** The power-down current in Sleep mode does not depend on the oscillator type. Power-down current is measured with the part in Sleep mode, with all I/O pins in high-impedance state and tied to V<sub>DD</sub> or V<sub>SS</sub> and all features that add delta current disabled (such as WDT, Timer1 Oscillator, BOR, etc.).
- 2:** The supply current is mainly a function of operating voltage, frequency and mode. Other factors, such as I/O pin loading and switching rate, oscillator type and circuit, internal code execution pattern and temperature, also have an impact on the current consumption.  
The test conditions for all I<sub>DD</sub> measurements in active operation mode are:  
 $\text{OSC1} = \text{external square wave, from rail-to-rail; all I/O pins tri-stated, pulled to V}_{DD} \text{ OR V}_{SS};$   
 $\text{MCLR} = \text{V}_{DD}; \text{WDT enabled/disabled as specified.}$
- 3:** When operation below  $-10^{\circ}\text{C}$  is expected, use T1OSC High-Power mode, where LPT1OSC (CONFIG3H<2>) = 0. When operation will always be above  $-10^{\circ}\text{C}$ , then the low-power Timer1 oscillator may be selected.
- 4:** BOR and HLVD enable internal band gap reference. With both modules enabled, current consumption will be less than the sum of both specifications.

# PIC18F8722 FAMILY

## 28.2 DC Characteristics: Power-Down and Supply Current PIC18F6X27/6X22/8X27/8X22 (Industrial, Extended) PIC18LF6X27/6X22/8X27/8X22 (Industrial) (Continued)

| PIC18LF6X27/6X22/8X27/8X22<br>(Industrial)          |        | Standard Operating Conditions (unless otherwise stated)                                     |     |       |            |            |   |
|---|--------|---|-----|-------|------------|------------|---|
|   |        | Operating temperature -40°C ≤ TA ≤ +85°C for industrial                                     |     |       |            |            |   |
| PIC18F6X27/6X22/8X27/8X22<br>(Industrial, Extended) |        | Standard Operating Conditions (unless otherwise stated)                                     |     |       |            |            |   |
|   |        | Operating temperature -40°C ≤ TA ≤ +85°C for industrial<br>-40°C ≤ TA ≤ +125°C for extended |     |       |            |            |   |
| Param No.   | Device | Typ   | Max | Units | Conditions |            |   |
| <b>Supply Current (IDD)<sup>(2)</sup></b>           |        |   |     |       |            |            |   |
| PIC18LF6X27/6X22/8X27/8X22                          |        | 78  | 100 | μA    | -40°C      | VDD = 2.0V | FOSC = 1 MHz<br>(PRI_IDLE mode,<br>EC oscillator) |
|   |        | 78  | 100 | μA    | +25°C      |            |   |
|   |        | 84  | 110 | μA    | +85°C      |            |   |
| PIC18LF6X27/6X22/8X27/8X22                          |        | 130   | 150 | μA    | -40°C      | VDD = 3.0V |   |
|   |        | 130   | 150 | μA    | +25°C      |            |   |
|   |        | 140   | 160 | μA    | +85°C      |            |   |
| All devices   |        | 230   | 280 | μA    | -40°C      | VDD = 5.0V |   |
|   |        | 235   | 290 | μA    | +25°C      |            |   |
|   |        | 240   | 300 | μA    | +85°C      |            |   |
| Extended devices only                               |        | 260   | 500 | μA    | +125°C     |            |   |
| PIC18LF6X27/6X22/8X27/8X22                          |        | 312   | 375 | μA    | -40°C      | VDD = 2.0V | FOSC = 4 MHz<br>(PRI_IDLE mode,<br>EC oscillator) |
|   |        | 305   | 385 | μA    | +25°C      |            |   |
|   |        | 324   | 380 | μA    | +85°C      |            |   |
| PIC18LF6X27/6X22/8X27/8X22                          |        | 500   | 660 | μA    | -40°C      | VDD = 3.0V |   |
|   |        | 600   | 670 | μA    | +25°C      |            |   |
|   |        | 600   | 680 | μA    | +85°C      |            |   |
| All devices   |        | 1.1   | 1.2 | mA    | -40°C      | VDD = 5.0V |   |
|   |        | 1.1   | 1.2 | mA    | +25°C      |            |   |
|   |        | 1.1   | 1.2 | mA    | +85°C      |            |   |
| Extended devices only                               |        | 1.2   | 1.3 | mA    | +125°C     |            |   |

**Legend:** Shading of rows is to assist in readability of the table.

- Note 1:** The power-down current in Sleep mode does not depend on the oscillator type. Power-down current is measured with the part in Sleep mode, with all I/O pins in high-impedance state and tied to VDD or VSS and all features that add delta current disabled (such as WDT, Timer1 Oscillator, BOR, etc.).
- 2:** The supply current is mainly a function of operating voltage, frequency and mode. Other factors, such as I/O pin loading and switching rate, oscillator type and circuit, internal code execution pattern and temperature, also have an impact on the current consumption.  
The test conditions for all IDD measurements in active operation mode are:  
OSC1 = external square wave, from rail-to-rail; all I/O pins tri-stated, pulled to VDD OR VSS;  
MCLR = VDD; WDT enabled/disabled as specified.
- 3:** When operation below -10°C is expected, use T1OSC High-Power mode, where LPT1OSC (CONFIG3H<2>) = 0. When operation will always be above -10°C, then the low-power Timer1 oscillator may be selected.
- 4:** BOR and HLVD enable internal band gap reference. With both modules enabled, current consumption will be less than the sum of both specifications.

# PIC18F8722 FAMILY

## 28.2 DC Characteristics: Power-Down and Supply Current PIC18F6X27/6X22/8X27/8X22 (Industrial, Extended) PIC18LF6X27/6X22/8X27/8X22 (Industrial) (Continued)

| PIC18LF6X27/6X22/8X27/8X22<br>(Industrial)           |        | Standard Operating Conditions (unless otherwise stated)<br>Operating temperature $-40^{\circ}\text{C} \leq T_A \leq +85^{\circ}\text{C}$ for industrial  |     |       |            |                         |  |
|--|--------|--|-----|-------|------------|-------------------------|--|
| PIC18F6X27/6X22/8X27/8X22<br>(Industrial, Extended)  |        | Standard Operating Conditions (unless otherwise stated)<br>Operating temperature $-40^{\circ}\text{C} \leq T_A \leq +85^{\circ}\text{C}$ for industrial<br>$-40^{\circ}\text{C} \leq T_A \leq +125^{\circ}\text{C}$ for extended |     |       |            |                         |  |
| Param No.  | Device | Typ  | Max | Units | Conditions |                         |  |
| <b>Supply Current (I<sub>DD</sub>)<sup>(2)</sup></b> |        |  |     |       |            |                         |  |
| Extended devices only                                |        | 3.4  | 5.8 | mA    | +125°C     | V <sub>DD</sub> = 4.2V  | F <sub>OSC</sub> = 25 MHz<br>(PRI_IDLE mode,<br>EC oscillator) |
|  |        | 5.2  | 7   | mA    | +125°C     | V <sub>DD</sub> = 5.0V  |  |
| All devices  |        | 7.2  | 10  | mA    | -40°C      | V <sub>DD</sub> = 4.2 V | F <sub>OSC</sub> = 40 MHz<br>(PRI_IDLE mode,<br>EC oscillator) |
|  |        | 7.4  | 10  | mA    | +25°C      |                         |  |
|  |        | 7.8  | 10  | mA    | +85°C      |                         |  |
| All devices  |        | 9.7  | 12  | mA    | -40°C      | V <sub>DD</sub> = 5.0V  |  |
|  |        | 11   | 12  | mA    | +25°C      |                         |  |
|  |        | 10   | 12  | mA    | +85°C      |                         |  |

**Legend:** Shading of rows is to assist in readability of the table.

- Note 1:** The power-down current in Sleep mode does not depend on the oscillator type. Power-down current is measured with the part in Sleep mode, with all I/O pins in high-impedance state and tied to V<sub>DD</sub> or V<sub>SS</sub> and all features that add delta current disabled (such as WDT, Timer1 Oscillator, BOR, etc.).
- 2:** The supply current is mainly a function of operating voltage, frequency and mode. Other factors, such as I/O pin loading and switching rate, oscillator type and circuit, internal code execution pattern and temperature, also have an impact on the current consumption.  
The test conditions for all I<sub>DD</sub> measurements in active operation mode are:  
 $\text{OSC1} = \text{external square wave, from rail-to-rail; all I/O pins tri-stated, pulled to V}_{DD} \text{ OR V}_{SS};$   
 $\text{MCLR} = \text{V}_{DD}; \text{WDT enabled/disabled as specified.}$
- 3:** When operation below -10°C is expected, use T1OSC High-Power mode, where LPT1OSC (CONFIG3H<2>) = 0. When operation will always be above -10°C, then the low-power Timer1 oscillator may be selected.
- 4:** BOR and HLVD enable internal band gap reference. With both modules enabled, current consumption will be less than the sum of both specifications.

# PIC18F8722 FAMILY

## 28.2 DC Characteristics: Power-Down and Supply Current PIC18F6X27/6X22/8X27/8X22 (Industrial, Extended) PIC18LF6X27/6X22/8X27/8X22 (Industrial) (Continued)

| PIC18LF6X27/6X22/8X27/8X22<br>(Industrial)          |        | Standard Operating Conditions (unless otherwise stated)                                     |     |       |            |            |   |
|---|--------|---|-----|-------|------------|------------|---|
|   |        | Operating temperature -40°C ≤ TA ≤ +85°C for industrial                                     |     |       |            |            |   |
| PIC18F6X27/6X22/8X27/8X22<br>(Industrial, Extended) |        | Standard Operating Conditions (unless otherwise stated)                                     |     |       |            |            |   |
|   |        | Operating temperature -40°C ≤ TA ≤ +85°C for industrial<br>-40°C ≤ TA ≤ +125°C for extended |     |       |            |            |   |
| Param No.   | Device | Typ   | Max | Units | Conditions |            |   |
| <b>Supply Current (IDD)<sup>(2)</sup></b>           |        |   |     |       |            |            |   |
| PIC18LF6X27/6X22/8X27/8X22                          |        | 17  | 28  | μA    | -40°C      | VDD = 2.0V | FOSC = 32 kHz <sup>(3)</sup><br>( <b>SEC_RUN</b> mode,<br>Timer1 as clock)  |
|   |        | 18  | 25  | μA    | +25°C      |            |   |
|   |        | 19  | 28  | μA    | +70°C      |            |   |
| PIC18LF6X27/6X22/8X27/8X22                          |        | 48  | 70  | μA    | -40°C      | VDD = 3.0V |   |
|   |        | 42  | 52  | μA    | +25°C      |            |   |
|   |        | 37  | 48  | μA    | +70°C      |            |   |
| All devices   |        | 120   | 180 | μA    | -40°C      | VDD = 5.0V |   |
|   |        | 97  | 130 | μA    | +25°C      |            |   |
|   |        | 90  | 125 | μA    | +70°C      |            |   |
| PIC18LF6X27/6X22/8X27/8X22                          |        | 3.0   | 10  | μA    | -40°C      | VDD = 2.0V | FOSC = 32 kHz <sup>(3)</sup><br>( <b>SEC_IDLE</b> mode,<br>Timer1 as clock) |
|   |        | 4.4   | 6.8 | μA    | +25°C      |            |   |
|   |        | 5.4   | 10  | μA    | +70°C      |            |   |
| PIC18LF6X27/6X22/8X27/8X22                          |        | 6.0   | 15  | μA    | -40°C      | VDD = 3.0V |   |
|   |        | 6.5   | 10  | μA    | +25°C      |            |   |
|   |        | 7.6   | 15  | μA    | +70°C      |            |   |
| All devices   |        | 10.0  | 25  | μA    | -40°C      | VDD = 5.0V |   |
|   |        | 10.5  | 15  | μA    | +25°C      |            |   |
|   |        | 11.0  | 25  | μA    | +70°C      |            |   |

**Legend:** Shading of rows is to assist in readability of the table.

- Note 1:** The power-down current in Sleep mode does not depend on the oscillator type. Power-down current is measured with the part in Sleep mode, with all I/O pins in high-impedance state and tied to VDD or VSS and all features that add delta current disabled (such as WDT, Timer1 Oscillator, BOR, etc.).
- 2:** The supply current is mainly a function of operating voltage, frequency and mode. Other factors, such as I/O pin loading and switching rate, oscillator type and circuit, internal code execution pattern and temperature, also have an impact on the current consumption.  
The test conditions for all IDD measurements in active operation mode are:  
OSC1 = external square wave, from rail-to-rail; all I/O pins tri-stated, pulled to VDD OR VSS;  
MCLR = VDD; WDT enabled/disabled as specified.
- 3:** When operation below -10°C is expected, use T1OSC High-Power mode, where LPT1OSC (CONFIG3H<2>) = 0. When operation will always be above -10°C, then the low-power Timer1 oscillator may be selected.
- 4:** BOR and HLVD enable internal band gap reference. With both modules enabled, current consumption will be less than the sum of both specifications.

# PIC18F8722 FAMILY

## 28.2 DC Characteristics: Power-Down and Supply Current PIC18F6X27/6X22/8X27/8X22 (Industrial, Extended) PIC18LF6X27/6X22/8X27/8X22 (Industrial) (Continued)

| PIC18LF6X27/6X22/8X27/8X22<br>(Industrial)  |  | Standard Operating Conditions (unless otherwise stated) |        |   |                      |                                |                  |
|---|--|---|--------|---|----------------------|--------------------------------|------------------|
|   |  | Operating temperature                                   |        | -40°C ≤ TA ≤ +85°C for industrial                                     |                      |                                |                  |
| PIC18F6X27/6X22/8X27/8X22<br>(Industrial, Extended)   |  | Standard Operating Conditions (unless otherwise stated) |        |   |                      |                                |                  |
|   |  | Operating temperature                                   |        | -40°C ≤ TA ≤ +85°C for industrial<br>-40°C ≤ TA ≤ +125°C for extended |                      |                                |                  |
| Param No.   | Device                                       | Typ   | Max    | Units   | Conditions           |                                |                  |
| <b>Module Differential Currents (<math>\Delta I_{WDT}</math>, <math>\Delta I_{BOR}</math>, <math>\Delta I_{LVD}</math>, <math>\Delta I_{OSCB}</math>, <math>\Delta I_{AD}</math>)</b> |  |   |        |   |                      |                                |                  |
| D022<br>( $\Delta I_{WDT}$ )  | <b>Watchdog Timer</b>                        | 1.5   | 2.2    | $\mu A$   | -40°C                | VDD = 2.0V                     |                  |
|   |  | 1.6   | 2.2    | $\mu A$   | +25°C                |                                |                  |
|   |  | 1.7   | 2.3    | $\mu A$   | +85°C                |                                |                  |
|   |  | 2.3   | 3.5    | $\mu A$   | -40°C                | VDD = 3.0V                     |                  |
|   |  | 2.4   | 3.5    | $\mu A$   | +25°C                |                                |                  |
|   |  | 3.4   | 3.5    | $\mu A$   | +85°C                |                                |                  |
|   |  | 4.8   | 7.5    | $\mu A$   | -40°C                | VDD = 5.0V                     |                  |
|   |  | 6.0   | 7.5    | $\mu A$   | +25°C                |                                |                  |
|   |  | 6.1   | 7.8    | $\mu A$   | +85°C                |                                |                  |
| 8   | 10   | $\mu A$   | +125°C |   |                      |                                |                  |
| D022A<br>( $\Delta I_{BOR}$ )   | <b>Brown-out Reset<sup>(4)</sup></b>         | 4.2   | 50     | $\mu A$   | -40°C to +85°C       | VDD = 3.0V                     |                  |
|   |  | 48  | 55     | $\mu A$   | -40°C to +85°C       | VDD = 5.0V                     |                  |
|   |  | 66  | 55     | $\mu A$   | -40°C to +125°C      |                                |                  |
|   |  | 0   | 2.4    | $\mu A$   | -40°C to +85°C       |                                |                  |
|   |  | 0   | 6.0    | $\mu A$   | -40°C to +125°C      | Sleep mode,<br>BOREN<1:0> = 10 |                  |
| D022B<br>( $\Delta I_{LVD}$ )   | <b>High/Low-Voltage Detect<sup>(4)</sup></b> | 2.7   | 38     | $\mu A$   | -40°C to +85°C       | VDD = 2.0V                     |                  |
|   |  | 30  | 40     | $\mu A$   | -40°C to +85°C       | VDD = 3.0V                     |                  |
|   |  | 35  | 45     | $\mu A$   | -40°C to +85°C       | VDD = 5.0V                     |                  |
|   |  | 36  | 45     | $\mu A$   | -40°C to +125°C      |                                |                  |
| D025<br>( $\Delta I_{OSCB}$ )   | <b>Timer1 Oscillator</b>                     | 4.5   | 9      | $\mu A$   | -40°C <sup>(3)</sup> | VDD = 2.0V                     | 32 kHz on Timer1 |
|   |  | .9  | 1.7    | $\mu A$   | -10°C                |                                |                  |
|   |  | .9  | 2.2    | $\mu A$   | +25°C                |                                |                  |
|   |  | .9  | 2.2    | $\mu A$   | +85°C                | VDD = 3.0V                     |                  |
|   |  | 4.8   | 10     | $\mu A$   | -40°C <sup>(3)</sup> |                                |                  |
|   |  | 1   | 1.8    | $\mu A$   | -10°C                |                                |                  |
|   |  | 1   | 2.3    | $\mu A$   | +25°C                | VDD = 5.0V                     |                  |
|   |  | 1   | 2.3    | $\mu A$   | +85°C                |                                |                  |
|   |  | 6   | 11     | $\mu A$   | -40°C <sup>(3)</sup> | 32 kHz on Timer1               |                  |
|   |  | 1.6   | 6      | $\mu A$   | -10°C                |                                |                  |
|   |  | 1.6   | 6      | $\mu A$   | +25°C                |                                |                  |
| 1.6   | 6  | $\mu A$   | +85°C  |   |                      |                                |                  |

**Legend:** Shading of rows is to assist in readability of the table.

- Note 1:** The power-down current in Sleep mode does not depend on the oscillator type. Power-down current is measured with the part in Sleep mode, with all I/O pins in high-impedance state and tied to VDD or VSS and all features that add delta current disabled (such as WDT, Timer1 Oscillator, BOR, etc.).
- 2:** The supply current is mainly a function of operating voltage, frequency and mode. Other factors, such as I/O pin loading and switching rate, oscillator type and circuit, internal code execution pattern and temperature, also have an impact on the current consumption.  
The test conditions for all IDD measurements in active operation mode are:  
OSC1 = external square wave, from rail-to-rail; all I/O pins tri-stated, pulled to VDD or VSS;  
MCLR = VDD; WDT enabled/disabled as specified.
- 3:** When operation below -10°C is expected, use T1OSC High-Power mode, where LPT1OSC (CONFIG3H<2>) = 0. When operation will always be above -10°C, then the low-power Timer1 oscillator may be selected.
- 4:** BOR and HLVD enable internal band gap reference. With both modules enabled, current consumption will be less than the sum of both specifications.

# PIC18F8722 FAMILY

## 28.2 DC Characteristics: Power-Down and Supply Current PIC18F6X27/6X22/8X27/8X22 (Industrial, Extended) PIC18LF6X27/6X22/8X27/8X22 (Industrial) (Continued)

| <b>PIC18LF6X27/6X22/8X27/8X22</b><br>(Industrial)          |                      | <b>Standard Operating Conditions (unless otherwise stated)</b><br>Operating temperature -40°C ≤ TA ≤ +85°C for industrial                                     |     |       |                 |            |                                       |
|--|----------------------|---|-----|-------|-----------------|------------|---------------------------------------|
| <b>PIC18F6X27/6X22/8X27/8X22</b><br>(Industrial, Extended) |                      | <b>Standard Operating Conditions (unless otherwise stated)</b><br>Operating temperature -40°C ≤ TA ≤ +85°C for industrial<br>-40°C ≤ TA ≤ +125°C for extended |     |       |                 |            |                                       |
| Param No.  | Device               | Typ   | Max | Units | Conditions      |            |                                       |
| D026<br>(ΔIAD)   | <b>A/D Converter</b> | 0.2   | 1   | μA    | -40°C to +85°C  | VDD = 2.0V | A/D on, not converting,<br>Sleep mode |
|  |                      | 0.2   | 1   | μA    | -40°C to +85°C  | VDD = 3.0V |                                       |
|  |                      | 0.2   | 1   | μA    | -40°C to +85°C  | VDD = 5.0V |                                       |
|  |                      | 0.5   | 4   | μA    | -40°C to +125°C |            |                                       |

**Legend:** Shading of rows is to assist in readability of the table.

- Note 1:** The power-down current in Sleep mode does not depend on the oscillator type. Power-down current is measured with the part in Sleep mode, with all I/O pins in high-impedance state and tied to VDD or VSS and all features that add delta current disabled (such as WDT, Timer1 Oscillator, BOR, etc.).
- 2:** The supply current is mainly a function of operating voltage, frequency and mode. Other factors, such as I/O pin loading and switching rate, oscillator type and circuit, internal code execution pattern and temperature, also have an impact on the current consumption.  
The test conditions for all IDD measurements in active operation mode are:  
OSC1 = external square wave, from rail-to-rail; all I/O pins tri-stated, pulled to VDD OR VSS;  
MCLR = VDD; WDT enabled/disabled as specified.
- 3:** When operation below -10°C is expected, use T1OSC High-Power mode, where LPT1OSC (CONFIG3H<2>) = 0. When operation will always be above -10°C, then the low-power Timer1 oscillator may be selected.
- 4:** BOR and HLVD enable internal band gap reference. With both modules enabled, current consumption will be less than the sum of both specifications.



# PIC18F8722 FAMILY

## 28.3 DC Characteristics: PIC18F8722 (Industrial, Extended) PIC18LF6X27/6X22/8X27/8X22 (Industrial)

| DC CHARACTERISTICS   |              |   | Standard Operating Conditions (unless otherwise stated)<br>Operating temperature $-40^{\circ}\text{C} \leq T_A \leq +85^{\circ}\text{C}$ for industrial |  |  |  |
|--|--------------|---|---|--|--|--|
| Param No.  | Symbol       | Characteristic  | Min   | Max  | Units                                      | Conditions   |
| D030<br>D030A<br>D031<br>D032<br>D033<br>D033A<br>D033B<br>D034          | $V_{IL}$     | <b>Input Low Voltage</b><br>I/O Ports:<br>with TTL Buffer<br>with Schmitt Trigger Buffer<br>$\overline{\text{MCLR}}$<br>OSC1<br>OSC1<br>OSC1<br>T13CKI          | $V_{SS}$<br>—<br>$V_{SS}$<br>$V_{SS}$<br>$V_{SS}$<br>$V_{SS}$<br>$V_{SS}$<br>$V_{SS}$   | $0.15 V_{DD}$<br>0.8<br>$0.2 V_{DD}$<br>$0.2 V_{DD}$<br>$0.3 V_{DD}$<br>$0.2 V_{DD}$<br>0.3<br>0.3       | V<br>V<br>V<br>V<br>V<br>V<br>V<br>V       | $V_{DD} < 4.5\text{V}$<br>$4.5\text{V} \leq V_{DD} \leq 5.5\text{V}$<br><br>HS, HSPLL modes<br>RC, EC modes <sup>(1)</sup><br>XT, LP modes   |
| D040<br>D040A<br>D041<br>D042<br>D043<br>D043A<br>D043B<br>D043C<br>D044 | $V_{IH}$     | <b>Input High Voltage</b><br>I/O Ports:<br>with TTL Buffer<br>with Schmitt Trigger Buffer<br>$\overline{\text{MCLR}}$<br>OSC1<br>OSC1<br>OSC1<br>OSC1<br>T13CKI | $0.25 V_{DD} + 0.8\text{V}$<br>2.0<br>$0.8 V_{DD}$<br>$0.8 V_{DD}$<br>$0.7 V_{DD}$<br>$0.8 V_{DD}$<br>$0.9 V_{DD}$<br>1.6<br>1.6                        | $V_{DD}$<br>$V_{DD}$<br>$V_{DD}$<br>$V_{DD}$<br>$V_{DD}$<br>$V_{DD}$<br>$V_{DD}$<br>$V_{DD}$<br>$V_{DD}$ | V<br>V<br>V<br>V<br>V<br>V<br>V<br>V<br>V  | $V_{DD} < 4.5\text{V}$<br>$4.5\text{V} \leq V_{DD} \leq 5.5\text{V}$<br><br>HS, HSPLL modes<br>EC mode<br>RC mode <sup>(1)</sup><br>XT, LP modes   |
| D060<br><br>D061<br>D063   | $I_{IL}$     | <b>Input Leakage Current<sup>(2,3)</sup></b><br>I/O Ports<br><br>$\overline{\text{MCLR}}$<br>OSC1   | —<br>—<br>—<br>—  | $\pm 200$<br>$\pm 50$<br>$\pm 1$<br>$\pm 1$  | nA<br>nA<br>$\mu\text{A}$<br>$\mu\text{A}$ | $V_{DD} < 5.5\text{V}$<br>$V_{SS} \leq V_{PIN} \leq V_{DD}$ ,<br>Pin at high-impedance<br>$V_{DD} < 3\text{V}$<br>$V_{SS} \leq V_{PIN} \leq V_{DD}$ ,<br>Pin at high-impedance<br>$V_{SS} \leq V_{PIN} \leq V_{DD}$<br>$V_{SS} \leq V_{PIN} \leq V_{DD}$ |
| D070   | IPU<br>IPURB | <b>Weak Pull-up Current</b><br>PORTB Weak Pull-up Current   | 50  | 400  | $\mu\text{A}$                              | $V_{DD} = 5\text{V}$ , $V_{PIN} = V_{SS}$  |

**Note 1:** In RC oscillator configuration, the OSC1/CLKI pin is a Schmitt Trigger input. It is not recommended that the PIC<sup>®</sup> device be driven with an external clock while in RC mode.

**2:** The leakage current on the  $\overline{\text{MCLR}}$  pin is strongly dependent on the applied voltage level. The specified levels represent normal operating conditions. Higher leakage current may be measured at different input voltages.

**3:** Negative current is defined as current sourced by the pin.

# PIC18F8722 FAMILY

## 28.3 DC Characteristics: PIC18F8722 (Industrial, Extended) PIC18LF6X27/6X22/8X27/8X22 (Industrial) (Continued)

| DC CHARACTERISTICS                             |        |   | Standard Operating Conditions (unless otherwise stated)<br>Operating temperature $-40^{\circ}\text{C} \leq T_A \leq +85^{\circ}\text{C}$ for industrial |     |       |   |
|--|--------|---|---|-----|-------|---|
| Param No.                                      | Symbol | Characteristic  | Min   | Max | Units | Conditions  |
| D080   | VOL    | <b>Output Low Voltage</b><br>I/O Ports                | —   | 0.6 | V     | $I_{OL} = 8.5 \text{ mA}$ , $V_{DD} = 4.5\text{V}$ ,<br>$-40^{\circ}\text{C}$ to $+85^{\circ}\text{C}$  |
| D083   |        | OSC2/CLKO<br>(RC, RCIO, EC, ECIO modes)               | —   | 0.6 | V     | $I_{OL} = 1.6 \text{ mA}$ , $V_{DD} = 4.5\text{V}$ ,<br>$-40^{\circ}\text{C}$ to $+85^{\circ}\text{C}$  |
| D090   | VOH    | <b>Output High Voltage<sup>(3)</sup></b><br>I/O Ports | $V_{DD} - 0.7$  | —   | V     | $I_{OH} = -3.0 \text{ mA}$ , $V_{DD} = 4.5\text{V}$ ,<br>$-40^{\circ}\text{C}$ to $+85^{\circ}\text{C}$ |
| D092   |        | OSC2/CLKO<br>(RC, RCIO, EC, ECIO modes)               | $V_{DD} - 0.7$  | —   | V     | $I_{OH} = -1.3 \text{ mA}$ , $V_{DD} = 4.5\text{V}$ ,<br>$-40^{\circ}\text{C}$ to $+85^{\circ}\text{C}$ |
| <b>Capacitive Loading Specs on Output Pins</b> |        |   |   |     |       |   |
| D100   | COSC2  | OSC2 Pin  | —   | 15  | pF    | In XT, HS and LP modes<br>when external clock is<br>used to drive OSC1                                  |
| D101   | Cio    | All I/O Pins and OSC2<br>(in RC mode)                 | —   | 50  | pF    | To meet the AC Timing<br>Specifications   |
| D102   | Cb     | SCLx, SDAx  | —   | 400 | pF    | I <sup>2</sup> C™ Specification   |

- Note 1:** In RC oscillator configuration, the OSC1/CLKI pin is a Schmitt Trigger input. It is not recommended that the PIC® device be driven with an external clock while in RC mode.
- 2:** The leakage current on the  $\overline{\text{MCLR}}$  pin is strongly dependent on the applied voltage level. The specified levels represent normal operating conditions. Higher leakage current may be measured at different input voltages.
- 3:** Negative current is defined as current sourced by the pin.

# PIC18F8722 FAMILY

**TABLE 28-1: MEMORY PROGRAMMING REQUIREMENTS**

| DC CHARACTERISTICS          |       |  | Standard Operating Conditions (unless otherwise stated)<br>Operating temperature $-40^{\circ}\text{C} \leq T_A \leq +85^{\circ}\text{C}$ for industrial |      |     |       |   |
|-----------------------------|-------|--|---|------|-----|-------|---|
| Param No.                   | Sym   | Characteristic   | Min   | Typ† | Max | Units | Conditions  |
| <b>Data EEPROM Memory</b>   |       |  |   |      |     |       |   |
| D120                        | ED    | Byte Endurance   | 100K  | 1M   | —   | E/W   | -40°C to +85°C<br>Using EECON to read/write<br>V <sub>MIN</sub> = Minimum operating voltage |
| D121                        | VDRW  | VDD for Read/Write   | V <sub>MIN</sub>  | —    | 5.5 | V     |   |
| D122                        | TDEW  | Erase/Write Cycle Time   | —   | 4    | —   | ms    | Provided no other specifications are violated   |
| D123                        | TRETD | Characteristic Retention   | 40  | —    | —   | Year  |   |
| D124                        | TREF  | Number of Total Erase/Write Cycles before Refresh <sup>(1)</sup> | 1M  | 10M  | —   | E/W   |   |
| D125                        | IDDP  | Supply Current during Programming                                | —   | 10   | —   | mA    | -40°C to +85°C  |
| <b>Program Flash Memory</b> |       |  |   |      |     |       |   |
| D130                        | EP    | Cell Endurance   | 10K   | 100K | —   | E/W   | -40°C to +85°C<br>V <sub>MIN</sub> = Minimum operating voltage                              |
| D131                        | VPR   | VDD for Read   | V <sub>MIN</sub>  | —    | 5.5 | V     |   |
| D132B                       | VPEW  | VDD for Self-Timed Write and Row Erase                           | V <sub>MIN</sub>  | —    | 5.5 | V     | V <sub>MIN</sub> = Minimum operating voltage  |
| D133A                       | TIW   | Self-Timed Write Cycle Time                                      | —   | 2    | —   | ms    | Provided no other specifications are violated   |
| D134                        | TRETD | Characteristic Retention   | 40  | 100  | —   | Year  |   |
| D135                        | IDDP  | Supply Current during Programming                                | —   | 10   | —   | mA    |   |

† Data in “Typ” column is at 5.0V, 25°C unless otherwise stated. These parameters are for design guidance only and are not tested.

**Note 1:** Refer to **Section 8.8 “Using the Data EEPROM”** for a more detailed discussion on data EEPROM endurance.

# PIC18F8722 FAMILY

**TABLE 28-2: COMPARATOR SPECIFICATIONS**

| Operating Conditions: $3.0V < V_{DD} < 5.5V$ , $-40^{\circ}C < T_A < +85^{\circ}C$ (unless otherwise stated) |                    |  |     |      |                |       |                              |
|--|--------------------|--|-----|------|----------------|-------|------------------------------|
| Param No.  | Sym                | Characteristics                        | Min | Typ  | Max            | Units | Comments                     |
| D300   | V <sub>IOFF</sub>  | Input Offset Voltage                   | —   | ±5.0 | ±10            | mV    |                              |
| D301   | V <sub>ICM</sub>   | Input Common Mode Voltage              | 0   | —    | $V_{DD} - 1.5$ | V     |                              |
| D302   | CMRR               | Common Mode Rejection Ratio            | 55  | —    | —              | dB    |                              |
| 300  | T <sub>RESP</sub>  | Response Time <sup>(1)</sup>           | —   | 150  | 400            | ns    | PIC18FXXXX                   |
| 300A   |                    |  | —   | 150  | 600            | ns    | PIC18LFXXXX, $V_{DD} = 2.0V$ |
| 301  | T <sub>MC2OV</sub> | Comparator Mode Change to Output Valid | —   | —    | 10             | µs    |                              |

**Note 1:** Response time measured with one comparator input at  $(V_{DD} - 1.5)/2$ , while the other input transitions from V<sub>SS</sub> to V<sub>DD</sub>.

**TABLE 28-3: COMPARATOR VOLTAGE REFERENCE SPECIFICATIONS**

| Operating Conditions: $3.0V < V_{DD} < 5.5V$ , $-40^{\circ}C < T_A < +85^{\circ}C$ (unless otherwise stated) |                  |                              |             |     |             |       |          |
|--|------------------|------------------------------|-------------|-----|-------------|-------|----------|
| Param No.  | Sym              | Characteristics              | Min         | Typ | Max         | Units | Comments |
| D310   | V <sub>RES</sub> | Resolution                   | $V_{DD}/24$ | —   | $V_{DD}/32$ | LSb   |          |
| D311   | V <sub>RAA</sub> | Absolute Accuracy            | —           | —   | 1/2         | LSb   |          |
| D312   | V <sub>RUR</sub> | Unit Resistor Value (R)      | —           | 2k  | —           | Ω     |          |
| 310  | T <sub>SET</sub> | Settling Time <sup>(1)</sup> | —           | —   | 10          | µs    |          |

**Note 1:** Settling time measured while CVRR = 1 and CVR<3:0> transitions from '0000' to '1111'.

# PIC18F8722 FAMILY

**FIGURE 28-4: HIGH/LOW-VOLTAGE DETECT CHARACTERISTICS**



**TABLE 28-4: HIGH/LOW-VOLTAGE DETECT CHARACTERISTICS**

| Standard Operating Conditions (unless otherwise stated)                                      |     |  |                   |      |      |       |            |  |
|--|-----|--|-------------------|------|------|-------|------------|--|
| Operating temperature $-40^{\circ}\text{C} \leq T_A \leq +85^{\circ}\text{C}$ for industrial |     |  |                   |      |      |       |            |  |
| Param No.  | Sym | Characteristic                             | Min               | Typ  | Max  | Units | Conditions |  |
| D420   |     | HLVD Voltage on VDD Transition High-to-Low | HLVDL<3:0> = 0000 | 2.06 | 2.17 | 2.28  | V          |  |
|  |     |  | HLVDL<3:0> = 0001 | 2.12 | 2.23 | 2.34  | V          |  |
|  |     |  | HLVDL<3:0> = 0010 | 2.24 | 2.36 | 2.48  | V          |  |
|  |     |  | HLVDL<3:0> = 0011 | 2.32 | 2.44 | 2.56  | V          |  |
|  |     |  | HLVDL<3:0> = 0100 | 2.47 | 2.60 | 2.73  | V          |  |
|  |     |  | HLVDL<3:0> = 0101 | 2.65 | 2.79 | 2.93  | V          |  |
|  |     |  | HLVDL<3:0> = 0110 | 2.74 | 2.89 | 3.04  | V          |  |
|  |     |  | HLVDL<3:0> = 0111 | 2.96 | 3.12 | 3.28  | V          |  |
|  |     |  | HLVDL<3:0> = 1000 | 3.22 | 3.39 | 3.56  | V          |  |
|  |     |  | HLVDL<3:0> = 1001 | 3.37 | 3.55 | 3.73  | V          |  |
|  |     |  | HLVDL<3:0> = 1010 | 3.52 | 3.71 | 3.90  | V          |  |
|  |     |  | HLVDL<3:0> = 1011 | 3.70 | 3.90 | 4.10  | V          |  |
|  |     |  | HLVDL<3:0> = 1100 | 3.90 | 4.11 | 4.32  | V          |  |
|  |     |  | HLVDL<3:0> = 1101 | 4.11 | 4.33 | 4.55  | V          |  |
|  |     |  | HLVDL<3:0> = 1110 | 4.36 | 4.59 | 4.82  | V          |  |

# PIC18F8722 FAMILY

## 28.4 AC (Timing) Characteristics

### 28.4.1 TIMING PARAMETER SYMBOLOGY

The timing parameter symbols have been created following one of the following formats:

1. TppS2ppS
2. TppS
3. TCC:ST (I<sup>2</sup>C™ specifications only)
4. Ts (I<sup>2</sup>C specifications only)

|                                  |                      |
|----------------------------------|----------------------|
| <p>T</p> <p>F      Frequency</p> | <p>T</p> <p>Time</p> |
|----------------------------------|----------------------|

Lowercase letters (pp) and their meanings:

|  |  |
|--|--|
| <p>pp</p> <p>cc      CCP1</p> <p>ck      CLKO</p> <p>cs      <math>\overline{CS}</math></p> <p>di      SDI</p> <p>do      SDO</p> <p>dt      Data in</p> <p>io      I/O port</p> <p>mc      <math>\overline{MCLR}</math></p> | <p>osc      OSC1</p> <p>rd      <math>\overline{RD}</math></p> <p>rw      <math>\overline{RD}</math> or <math>\overline{WR}</math></p> <p>sc      SCK</p> <p>ss      <math>\overline{SS}</math></p> <p>t0      T0CKI</p> <p>t1      T13CKI</p> <p>wr      <math>\overline{WR}</math></p> |
|--|--|

Uppercase letters and their meanings:

|  |  |
|--|--|
| <p>S</p> <p>F      Fall</p> <p>H      High</p> <p>I      Invalid (High-Impedance)</p> <p>L      Low</p> <p>I<sup>2</sup>C only</p> <p>AA      output access</p> <p>BUF      Bus free</p> | <p>P      Period</p> <p>R      Rise</p> <p>V      Valid</p> <p>Z      High-Impedance</p><br><p>High    High</p> <p>Low     Low</p> |
|--|--|

TCC:ST (I<sup>2</sup>C specifications only)

|   |  |
|---|--|
| <p>CC</p> <p>HD      Hold</p> <p>ST</p> <p>DAT      DATA input hold</p> <p>STA      Start condition</p> | <p>SU      Setup</p><br><p>STO      Stop condition</p> |
|---|--|

# PIC18F8722 FAMILY

## 28.4.2 TIMING CONDITIONS

The temperature and voltages specified in Table 28-5 apply to all timing specifications unless otherwise noted. Figure 28-5 specifies the load conditions for the timing specifications.

**Note:** Because of space limitations, the generic terms "PIC18FXXXX" and "PIC18LFXXXX" are used throughout this section to refer to the PIC18F6X27/6X22/8X27/8X22 and PIC18LF6X27/6X22/8X27/8X22 families of devices specifically and only those devices.

**TABLE 28-5: TEMPERATURE AND VOLTAGE SPECIFICATIONS – AC**

|                           |  |   |
|---------------------------|--|---|
| <b>AC CHARACTERISTICS</b> | <b>Standard Operating Conditions (unless otherwise stated)</b> |   |
|                           | Operating temperature  | $-40^{\circ}\text{C} \leq T_A \leq +85^{\circ}\text{C}$ for industrial<br>$-40^{\circ}\text{C} \leq T_A \leq +125^{\circ}\text{C}$ for extended |
|                           | Operating voltage $V_{DD}$ range                               | as described in the DC specifications in <b>Section 28.1</b> and <b>Section 28.3</b> .  |
|                           | LF parts operate   | for industrial temperatures only.   |

**FIGURE 28-5: LOAD CONDITIONS FOR DEVICE TIMING SPECIFICATIONS**



# PIC18F8722 FAMILY

## 28.4.3 TIMING DIAGRAMS AND SPECIFICATIONS

**FIGURE 28-6: EXTERNAL CLOCK TIMING (ALL MODES EXCEPT PLL)**



**TABLE 28-6: EXTERNAL CLOCK TIMING REQUIREMENTS**

| Param. No. | Symbol        | Characteristic                                | Min                | Max   | Units | Conditions               |
|------------|---------------|---|--------------------|-------|-------|--------------------------|
| 1A         | Fosc          | External CLKI Frequency <sup>(1)</sup>        | DC                 | 1     | MHz   | XT, RC Oscillator mode   |
|            |               |   | DC                 | 25    | MHz   | HS Oscillator mode       |
|            |               |   | DC                 | 31.25 | kHz   | LP Oscillator mode       |
|            |               |   | DC                 | 40    | MHz   | EC Oscillator mode       |
|            |               | Oscillator Frequency <sup>(1)</sup>           | DC                 | 4     | MHz   | RC Oscillator mode       |
|            |               |   | 0.1                | 4     | MHz   | XT Oscillator mode       |
|            |               |   | 4                  | 25    | MHz   | HS Oscillator mode       |
|            |               |   | 4                  | 10    | MHz   | HS + PLL Oscillator mode |
| 5          | 200           | kHz   | LP Oscillator mode |       |       |                          |
| 1          | Tosc          | External CLKI Period <sup>(1)</sup>           | 1000               | —     | ns    | XT, RC Oscillator mode   |
|            |               |   | 40                 | —     | ns    | HS Oscillator mode       |
|            |               |   | 32                 | —     | μs    | LP Oscillator mode       |
|            |               |   | 25                 | —     | ns    | EC Oscillator mode       |
|            |               | Oscillator Period <sup>(1)</sup>              | 250                | —     | ns    | RC Oscillator mode       |
|            |               |   | 250                | 1     | μs    | XT Oscillator mode       |
|            |               |   | 40                 | 250   | ns    | HS Oscillator mode       |
|            |               |   | 100                | 250   | ns    | HS + PLL Oscillator mode |
| 5          | 200           | μs  | LP Oscillator mode |       |       |                          |
| 2          | Tcy           | Instruction Cycle Time <sup>(1)</sup>         | 100                | —     | ns    | Tcy = 4/Fosc, Industrial |
|            |               |   | 160                | —     | ns    | Tcy = 4/Fosc, Extended   |
| 3          | TosL,<br>TosH | External Clock in (OSC1)<br>High or Low Time  | 30                 | —     | ns    | XT Oscillator mode       |
|            |               |   | 2.5                | —     | μs    | LP Oscillator mode       |
|            |               |   | 10                 | —     | ns    | HS Oscillator mode       |
| 4          | TosR,<br>TosF | External Clock in (OSC1)<br>Rise or Fall Time | —                  | 20    | ns    | XT Oscillator mode       |
|            |               |   | —                  | 50    | ns    | LP Oscillator mode       |
|            |               |   | —                  | 7.5   | ns    | HS Oscillator mode       |

**Note 1:** Instruction cycle period (Tcy) equals four times the input oscillator time base period for all configurations except PLL. All specified values are based on characterization data for that particular oscillator type under standard operating conditions with the device executing code. Exceeding these specified limits may result in an unstable oscillator operation and/or higher than expected current consumption. All devices are tested to operate at “min.” values with an external clock applied to the OSC1/CLKI pin. When an external clock input is used, the “max.” cycle time limit is “DC” (no clock) for all devices.



# PIC18F8722 FAMILY

**TABLE 28-7: PLL CLOCK TIMING SPECIFICATIONS (V<sub>DD</sub> = 4.2V TO 5.5V)**

| Param No. | Sym             | Characteristic                | Min | Typ† | Max | Units | Conditions   |
|-----------|-----------------|-------------------------------|-----|------|-----|-------|--------------|
| F10       | FOSC            | Oscillator Frequency Range    | 4   | —    | 10  | MHz   | HS mode only |
| F11       | FSYS            | On-Chip VCO System Frequency  | 16  | —    | 40  | MHz   | HS mode only |
| F12       | t <sub>rc</sub> | PLL Start-up Time (Lock Time) | —   | —    | 2   | ms    |              |
| F13       | ΔCLK            | CLKO Stability (Jitter)       | -2  | —    | +2  | %     |              |

† Data in "Typ" column is at 5V, 25°C, unless otherwise stated. These parameters are for design guidance only and are not tested.

**TABLE 28-8: AC CHARACTERISTICS: INTERNAL RC ACCURACY  
PIC18F6X27/6X22/8X27/8X22 (INDUSTRIAL, EXTENDED)  
PIC18LF6X27/6X22/8X27/8X22 (INDUSTRIAL)**

| PIC18LF6X27/6X22/8X27/8X22<br>(Industrial)  |                            | Standard Operating Conditions (unless otherwise stated)<br>Operating temperature -40°C ≤ TA ≤ +85°C for industrial                                     |      |        |       |                |                            |
|---|----------------------------|--|------|--------|-------|----------------|----------------------------|
| PIC18F6X27/6X22/8X27/8X22<br>(Industrial, Extended)   |                            | Standard Operating Conditions (unless otherwise stated)<br>Operating temperature -40°C ≤ TA ≤ +85°C for industrial<br>-40°C ≤ TA ≤ +125°C for extended |      |        |       |                |                            |
| Param No.   | Device                     | Min  | Typ  | Max    | Units | Conditions     |                            |
| <b>INTOSC Accuracy @ Freq = 8 MHz, 4 MHz, 2 MHz, 1 MHz, 500 kHz, 250 kHz, 125 kHz<sup>(1)</sup></b> |                            |  |      |        |       |                |                            |
|   | PIC18LF6X27/6X22/8X27/8X22 | -2   | +/-1 | 2      | %     | +25°C          | V <sub>DD</sub> = 2.7-3.3V |
|   |                            | -5   | +/-1 | 5      | %     | -40°C to +85°C | V <sub>DD</sub> = 2.7-3.3V |
|   | PIC18F6X27/6X22/8X27/8X22  | -2   | +/-1 | 2      | %     | +25°C          | V <sub>DD</sub> = 4.5-5.5V |
|   |                            | -5   | +/-1 | 5      | %     | -40°C to +85°C | V <sub>DD</sub> = 4.5-5.5V |
| <b>INTRC Accuracy @ Freq = 31 kHz</b>   |                            |  |      |        |       |                |                            |
|   | PIC18LF6X27/6X22/8X27/8X22 | 26.562   | —    | 35.938 | kHz   | -40°C to +85°C | V <sub>DD</sub> = 2.7-3.3V |
|   | PIC18F6X27/6X22/8X27/8X22  | 26.562   | +/-8 | 35.938 | kHz   | -40°C to +85°C | V <sub>DD</sub> = 4.5-5.5V |

**Legend:** Shading of rows is to assist in readability of the table.

**Note 1:** Frequency calibrated at 25°C. OSCUNE register can be used to compensate for temperature drift.

# PIC18F8722 FAMILY

**FIGURE 28-7: CLKO AND I/O TIMING**



**TABLE 28-9: CLKO AND I/O TIMING REQUIREMENTS**

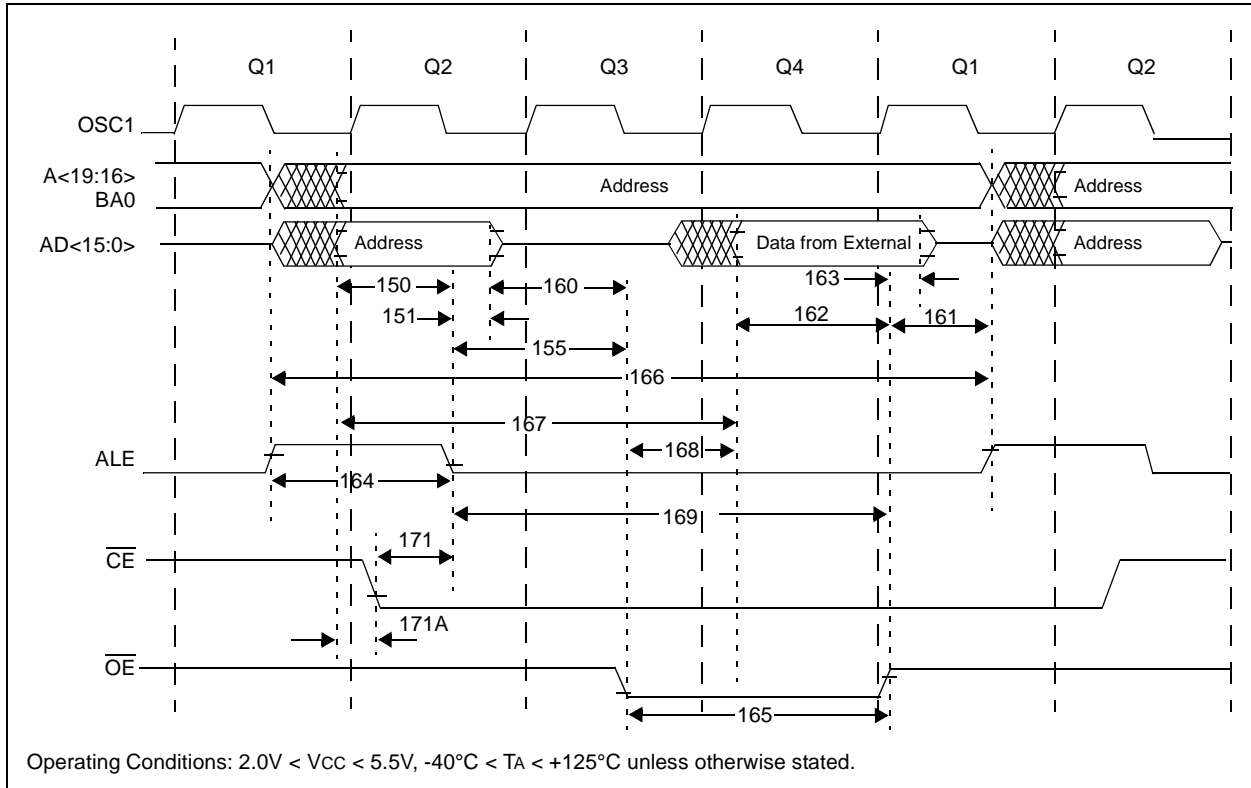
| Param No. | Symbol   | Characteristic   | Min                       | Typ | Max                      | Units | Conditions |                        |
|-----------|----------|--|---------------------------|-----|--------------------------|-------|------------|------------------------|
| 10        | TosH2ckL | OSC1 ↑ to CLKO ↓   | —                         | 75  | 200                      | ns    | (Note 1)   |                        |
| 11        | TosH2ckH | OSC1 ↑ to CLKO ↑   | —                         | 75  | 200                      | ns    | (Note 1)   |                        |
| 12        | TckR     | CLKO Rise Time   | —                         | 35  | 100                      | ns    | (Note 1)   |                        |
| 13        | TckF     | CLKO Fall Time   | —                         | 35  | 100                      | ns    | (Note 1)   |                        |
| 14        | TckL2ioV | CLKO ↓ to Port Out Valid                                   | —                         | —   | 0.5 T <sub>CY</sub> + 20 | ns    | (Note 1)   |                        |
| 15        | TioV2ckH | Port In Valid before CLKO ↑                                | 0.25 T <sub>CY</sub> + 25 | —   | —                        | ns    | (Note 1)   |                        |
| 16        | TckH2ioI | Port In Hold after CLKO ↑                                  | 0                         | —   | —                        | ns    | (Note 1)   |                        |
| 17        | TosH2ioV | OSC1 ↑ (Q1 cycle) to Port Out Valid                        | —                         | 50  | 150                      | ns    |            |                        |
| 18        | TosH2ioI | OSC1 ↑ (Q2 cycle) to Port Input Invalid (I/O in hold time) | PIC18FXXXX                | 100 | —                        | —     | ns         |                        |
| 18A       |          |  | PIC18LFXXXX               | 200 | —                        | —     | ns         | V <sub>DD</sub> = 2.0V |
| 19        | TioV2osH | Port Input Valid to OSC1 ↑ (I/O in setup time)             | 0                         | —   | —                        | ns    |            |                        |
| 20        | TioR     | Port Output Rise Time                                      | PIC18FXXXX                | —   | 10                       | 25    | ns         |                        |
| 20A       |          |  | PIC18LFXXXX               | —   | —                        | 60    | ns         | V <sub>DD</sub> = 2.0V |
| 21        | TioF     | Port Output Fall Time                                      | PIC18FXXXX                | —   | 10                       | 25    | ns         |                        |
| 21A       |          |  | PIC18LFXXXX               | —   | —                        | 60    | ns         | V <sub>DD</sub> = 2.0V |
| 22†       | TINP     | INTx pin High or Low Time                                  | T <sub>CY</sub>           | —   | —                        | ns    |            |                        |
| 23†       | TRBP     | RB<7:4> Change INTx High or Low Time                       | T <sub>CY</sub>           | —   | —                        | ns    |            |                        |

† These parameters are asynchronous events not related to any internal clock edges.

**Note 1:** Measurements are taken in RC mode, where CLKO output is 4 x T<sub>osc</sub>.

# PIC18F8722 FAMILY

**FIGURE 28-8: PROGRAM MEMORY READ TIMING DIAGRAM**



**TABLE 28-10: CLKO AND I/O TIMING REQUIREMENTS**

| Param. No | Symbol   | Characteristics  | Min                 | Typ            | Max                 | Units |
|-----------|----------|--|---------------------|----------------|---------------------|-------|
| 150       | TadV2alL | Address Out Valid to ALE ↓ (address setup time)                  | $0.25 T_{CY} - 10$  | —              | —                   | ns    |
| 151       | TalL2adI | ALE ↓ to Address Out Invalid (address hold time)                 | 5                   | —              | —                   | ns    |
| 155       | TalL2oeL | ALE ↓ to $\overline{OE}$ ↓                                       | 10                  | $0.125 T_{CY}$ | —                   | ns    |
| 160       | TadZ2oeL | AD high-Z to $\overline{OE}$ ↓ (bus release to $\overline{OE}$ ) | 0                   | —              | —                   | ns    |
| 161       | ToeH2adD | $\overline{OE}$ ↑ to AD Driven                                   | $0.125 T_{CY} - 5$  | —              | —                   | ns    |
| 162       | TadV2oeH | LS Data Valid before $\overline{OE}$ ↑ (data setup time)         | 20                  | —              | —                   | ns    |
| 163       | ToeH2adI | $\overline{OE}$ ↑ to Data In Invalid (data hold time)            | 0                   | —              | —                   | ns    |
| 164       | TalH2alL | ALE Pulse Width  | —                   | $T_{CY}$       | —                   | ns    |
| 165       | ToeL2oeH | $\overline{OE}$ Pulse Width                                      | $0.5 T_{CY} - 5$    | $0.5 T_{CY}$   | —                   | ns    |
| 166       | TalH2alH | ALE ↑ to ALE ↑ (cycle time)                                      | —                   | $0.25 T_{CY}$  | —                   | ns    |
| 167       | Tacc     | Address Valid to Data Valid                                      | $0.75 T_{CY} - 25$  | —              | —                   | ns    |
| 168       | Toe      | $\overline{OE}$ ↓ to Data Valid                                  | —                   | —              | $0.5 T_{CY} - 25$   | ns    |
| 169       | TalL2oeH | ALE ↓ to $\overline{OE}$ ↑                                       | $0.625 T_{CY} - 10$ | —              | $0.625 T_{CY} + 10$ | ns    |
| 171       | TalH2csL | Chip Enable Active to ALE ↓                                      | $0.25 T_{CY} - 20$  | —              | —                   | ns    |
| 171A      | TubL2oeH | AD Valid to Chip Enable Active                                   | —                   | —              | 10                  | ns    |

# PIC18F8722 FAMILY

**FIGURE 28-9: PROGRAM MEMORY WRITE TIMING DIAGRAM**



**TABLE 28-11: PROGRAM MEMORY WRITE TIMING REQUIREMENTS**

| Param. No | Symbol   | Characteristics  | Min                       | Typ                  | Max | Units |
|-----------|----------|--|---------------------------|----------------------|-----|-------|
| 150       | TadV2alL | Address Out Valid to ALE ↓ (address setup time)                      | 0.25 T <sub>CY</sub> - 10 | —                    | —   | ns    |
| 151       | TalL2adl | ALE ↓ to Address Out Invalid (address hold time)                     | 5                         | —                    | —   | ns    |
| 153       | TwrH2adl | $\overline{WRn}$ ↑ to Data Out Invalid (data hold time)              | 5                         | —                    | —   | ns    |
| 154       | TwrL     | $\overline{WRn}$ Pulse Width   | 0.5 T <sub>CY</sub> - 5   | 0.5 T <sub>CY</sub>  | —   | ns    |
| 156       | TadV2wrH | Data Valid before $\overline{WRn}$ ↑ (data setup time)               | 0.5 T <sub>CY</sub> - 10  | —                    | —   | ns    |
| 157       | TbsV2wrl | Byte Select Valid before $\overline{WRn}$ ↓ (byte select setup time) | 0.25 T <sub>CY</sub>      | —                    | —   | ns    |
| 157A      | TwrH2bsl | $\overline{WRn}$ ↑ to Byte Select Invalid (byte select hold time)    | 0.125 T <sub>CY</sub> - 5 | —                    | —   | ns    |
| 166       | TalH2alH | ALE ↑ to ALE ↑ (cycle time)  | —                         | 0.25 T <sub>CY</sub> | —   | ns    |
| 171       | TalH2csL | Chip Enable Active to ALE ↓  | 0.25 T <sub>CY</sub> - 20 | —                    | —   | ns    |
| 171A      | TubL2oeH | AD Valid to Chip Enable Active                                       | —                         | —                    | 10  | ns    |

# PIC18F8722 FAMILY

**FIGURE 28-10: RESET, WATCHDOG TIMER, OSCILLATOR START-UP TIMER AND POWER-UP TIMER TIMING**



**FIGURE 28-11: BROWN-OUT RESET TIMING**



**TABLE 28-12: RESET, WATCHDOG TIMER, OSCILLATOR START-UP TIMER, POWER-UP TIMER AND BROWN-OUT RESET REQUIREMENTS**

| Param. No. | Symbol             | Characteristic   | Min                   | Typ | Max                   | Units | Conditions                                     |
|------------|--------------------|--|-----------------------|-----|-----------------------|-------|--|
| 30         | T <sub>mcL</sub>   | MCLR Pulse Width (low)                                   | 2                     | —   | —                     | μs    |  |
| 31         | T <sub>WDT</sub>   | Watchdog Timer Time-out Period (no postscaler)           | 3.4                   | 4.0 | 4.6                   | ms    |  |
| 32         | T <sub>OSt</sub>   | Oscillation Start-up Timer Period                        | 1024 T <sub>OSC</sub> | —   | 1024 T <sub>OSC</sub> | —     | T <sub>OSC</sub> = OSC1 period                 |
| 33         | T <sub>PWRT</sub>  | Power-up Timer Period                                    | 55.6                  | 64  | 75                    | ms    |  |
| 34         | T <sub>IOZ</sub>   | I/O High-Impedance from MCLR Low or Watchdog Timer Reset | —                     | 2   | —                     | μs    |  |
| 35         | T <sub>BOR</sub>   | Brown-out Reset Pulse Width                              | 200                   | —   | —                     | μs    | V <sub>DD</sub> ≤ B <sub>VDD</sub> (see D005)  |
| 36         | T <sub>IRVST</sub> | Time for Internal Reference Voltage to become Stable     | —                     | 20  | 50                    | μs    |  |
| 37         | T <sub>LVd</sub>   | High/Low-Voltage Detect Pulse Width                      | 200                   | —   | —                     | μs    | V <sub>DD</sub> ≤ V <sub>H<sub>LVd</sub></sub> |
| 38         | T <sub>CSD</sub>   | CPU Start-up Time  | —                     | 10  | —                     | μs    |  |
| 39         | T <sub>IOBST</sub> | Time for INTOSC to Stabilize                             | —                     | 1   | —                     | μs    |  |

# PIC18F8722 FAMILY

**FIGURE 28-12: TIMER0 AND TIMER1 EXTERNAL CLOCK TIMINGS**

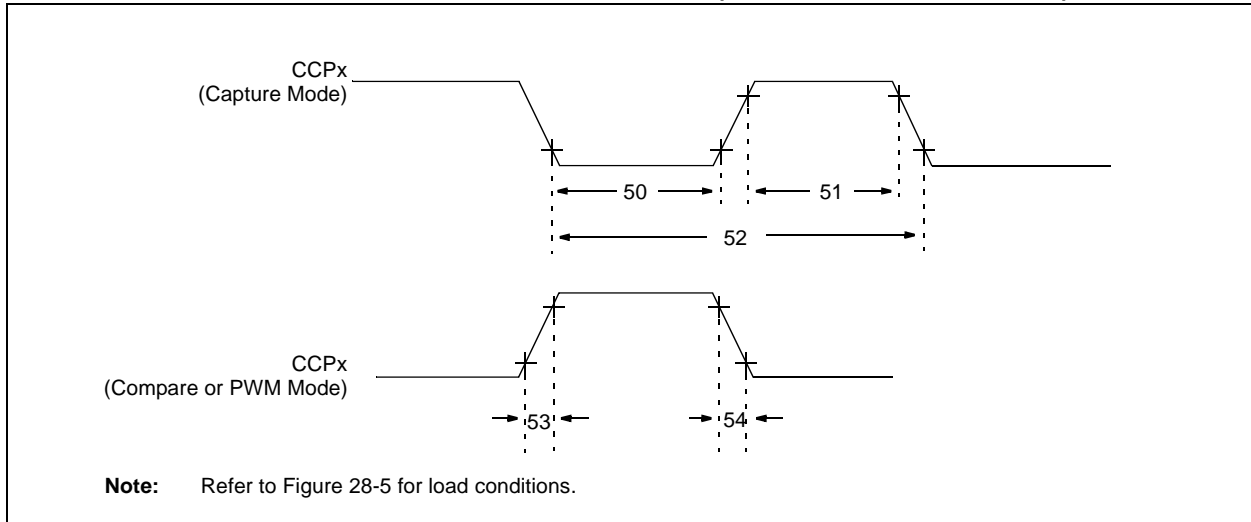


**TABLE 28-13: TIMER0 AND TIMER1 EXTERNAL CLOCK REQUIREMENTS**

| Param No.   | Symbol    | Characteristic   |                             | Min  | Max         | Units | Conditions                         |   |
|-------------|-----------|--|-----------------------------|--|-------------|-------|------------------------------------|---|
| 40          | TT0H      | T0CKI High Pulse Width                                   | No prescaler                | $0.5 T_{CY} + 20$                            | —           | ns    |                                    |   |
|             |           |  | With prescaler              | 10   | —           | ns    |                                    |   |
| 41          | TT0L      | T0CKI Low Pulse Width                                    | No prescaler                | $0.5 T_{CY} + 20$                            | —           | ns    |                                    |   |
|             |           |  | With prescaler              | 10   | —           | ns    |                                    |   |
| 42          | TT0P      | T0CKI Period   | No prescaler                | $T_{CY} + 10$                                | —           | ns    |                                    |   |
|             |           |  | With prescaler              | Greater of:<br>20 ns or<br>$(T_{CY} + 40)/N$ | —           | ns    |                                    | N = prescale value<br>(1, 2, 4, ..., 256) |
| 45          | TT1H      | T13CKI High Time   | Synchronous, no prescaler   | $0.5 T_{CY} + 20$                            | —           | ns    |                                    |   |
|             |           |  | Synchronous, with prescaler | PIC18FXXXX                                   | 10          | —     |                                    | ns  |
|             |           |  |                             | PIC18LFXXXX                                  | 25          | —     |                                    | ns  |
|             |           |  | Asynchronous                | PIC18FXXXX                                   | 30          | —     |                                    | ns  |
| PIC18LFXXXX | 50        | —  |                             | ns   |             |       |                                    |   |
| 46          | TT1L      | T13CKI Low Time  | Synchronous, no prescaler   | $0.5 T_{CY} + 5$                             | —           | ns    |                                    |   |
|             |           |  | Synchronous, with prescaler | PIC18FXXXX                                   | 10          | —     |                                    | ns  |
|             |           |  |                             | PIC18LFXXXX                                  | 25          | —     |                                    | ns  |
|             |           |  | Asynchronous                | PIC18FXXXX                                   | 30          | —     |                                    | ns  |
| PIC18LFXXXX | 50        | —  |                             | ns   |             |       |                                    |   |
| 47          | TT1P      | T13CKI Input Period                                      | Synchronous                 | Greater of:<br>20 ns or<br>$(T_{CY} + 40)/N$ | —           | ns    | N = prescale value<br>(1, 2, 4, 8) |   |
|             |           |  | Asynchronous                | 60   | —           | ns    |                                    |   |
|             | FT1       | T13CKI Oscillator Input Frequency Range                  |                             | DC   | 50          | kHz   |                                    |   |
| 48          | TCKE2TMRI | Delay from External T13CKI Clock Edge to Timer Increment |                             | $2 T_{OSC}$                                  | $7 T_{OSC}$ | —     |                                    |   |

# PIC18F8722 FAMILY

**FIGURE 28-13: CAPTURE/COMPARE/PWM TIMINGS (ALL ECCP/CCP MODULES)**



**TABLE 28-14: CAPTURE/COMPARE/PWM REQUIREMENTS (ALL ECCP/CCP MODULES)**

| Param No. | Symbol | Characteristic        |                | Min                       | Max | Units | Conditions                      |
|-----------|--------|-----------------------|----------------|---------------------------|-----|-------|---------------------------------|
| 50        | TccL   | CCPx Input Low Time   | No prescaler   | $0.5 T_{CY} + 20$         | —   | ns    |                                 |
|           |        |                       | With prescaler | PIC18FXXXXX               | 10  | —     |                                 |
|           |        |                       | PIC18LFXXXXX   | 20                        | —   | ns    | VDD = 2.0V                      |
| 51        | TccH   | CCPx Input High Time  | No prescaler   | $0.5 T_{CY} + 20$         | —   | ns    |                                 |
|           |        |                       | With prescaler | PIC18FXXXXX               | 10  | —     |                                 |
|           |        |                       | PIC18LFXXXXX   | 20                        | —   | ns    | VDD = 2.0V                      |
| 52        | TccP   | CCPx Input Period     |                | $\frac{3 T_{CY} + 40}{N}$ | —   | ns    | N = prescale value (1, 4 or 16) |
| 53        | TccR   | CCPx Output Fall Time | PIC18FXXXXX    | —                         | 25  | ns    |                                 |
|           |        |                       | PIC18LFXXXXX   | —                         | 45  | ns    |                                 |
| 54        | TccF   | CCPx Output Fall Time | PIC18FXXXXX    | —                         | 25  | ns    |                                 |
|           |        |                       | PIC18LFXXXXX   | —                         | 45  | ns    |                                 |
|           |        |                       |                |                           |     |       | VDD = 2.0V                      |

# PIC18F8722 FAMILY

**FIGURE 28-14: PARALLEL SLAVE PORT TIMING (PIC18F8527/8622/8627/8722)**



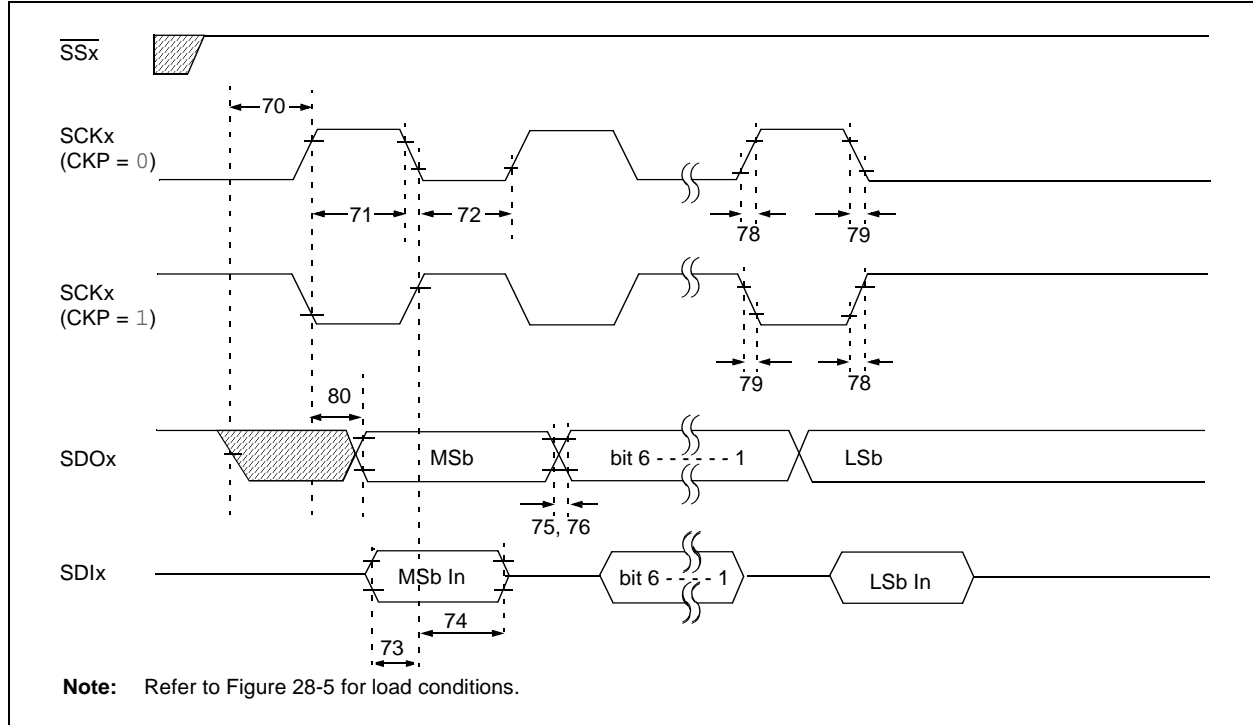
**TABLE 28-15: PARALLEL SLAVE PORT REQUIREMENTS (PIC18F8527/8622/8627/8722)**

| Param. No. | Symbol   | Characteristic  | Min         | Max   | Units | Conditions |                 |
|------------|----------|---|-------------|-------|-------|------------|-----------------|
| 62         | TdtV2wrH | Data In Valid before $\overline{WR} \uparrow$ or $\overline{CS} \uparrow$ (setup time)              | 20          | —     | ns    |            |                 |
| 63         | TwrH2dtI | $\overline{WR} \uparrow$ or $\overline{CS} \uparrow$ to Data-In Invalid (hold time)                 | PIC18FXXXX  | 20    | —     | ns         | $V_{DD} = 2.0V$ |
|            |          |   | PIC18LFXXXX | 35    | —     | ns         |                 |
| 64         | TrdL2dtV | $\overline{RD} \downarrow$ and $\overline{CS} \downarrow$ to Data-Out Valid                         | —           | 80    | ns    |            |                 |
| 65         | TrdH2dtI | $\overline{RD} \uparrow$ or $\overline{CS} \downarrow$ to Data-Out Invalid                          | 10          | 30    | ns    |            |                 |
| 66         | TibfINH  | Inhibit of the IBF Flag bit being Cleared from $\overline{WR} \uparrow$ or $\overline{CS} \uparrow$ | —           | 3 Tcy |       |            |                 |



# PIC18F8722 FAMILY

**FIGURE 28-15: EXAMPLE SPI MASTER MODE TIMING (CKE = 0)**



**TABLE 28-16: EXAMPLE SPI MODE REQUIREMENTS (MASTER MODE, CKE = 0)**

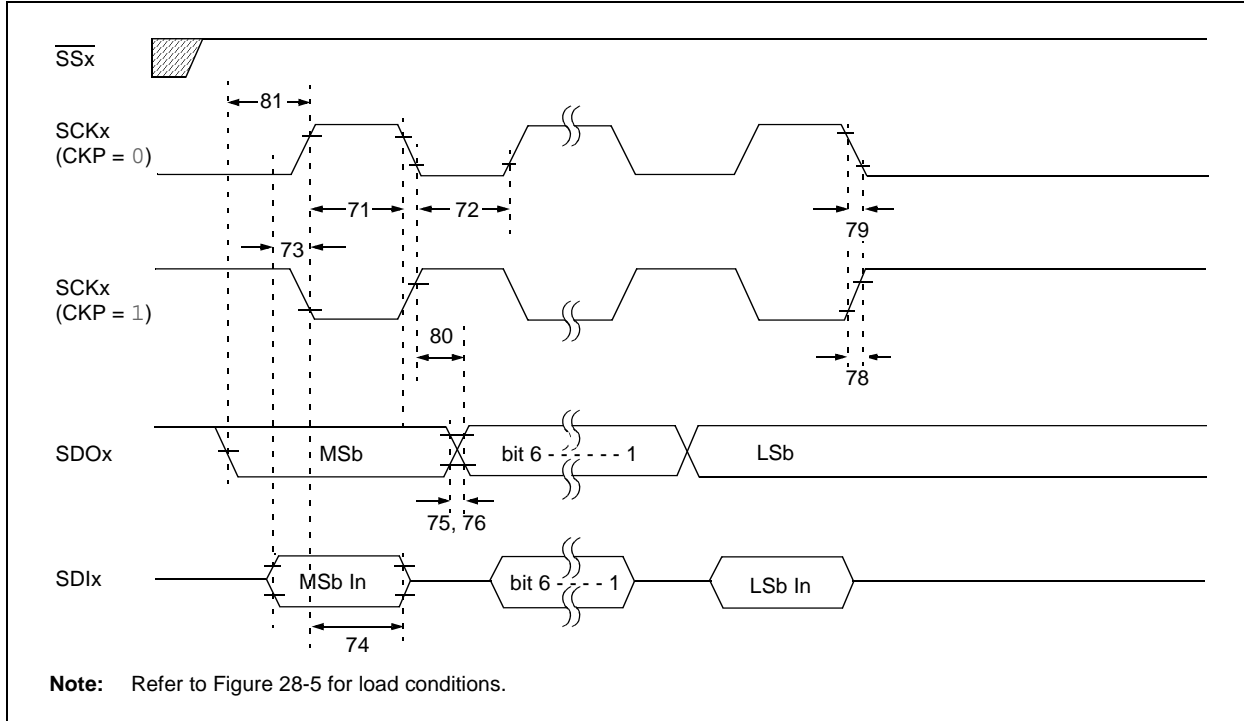
| Param No. | Symbol             | Characteristic  | Min                      | Max                       | Units | Conditions |
|-----------|--------------------|---|--------------------------|---------------------------|-------|------------|
| 70        | TssL2sCH, TssL2sCL | SSx ↓ to SCKx ↓ or SCKx ↑ Input                           | T <sub>cy</sub>          | —                         | ns    |            |
| 71        | Tsch               | SCKx Input High Time (Slave mode)                         | Continuous               | 1.25 T <sub>cy</sub> + 30 | —     | ns         |
| 71A       |                    |   | Single Byte              | 40                        | —     | ns         |
| 72        | TscL               | SCKx Input Low Time (Slave mode)                          | Continuous               | 1.25 T <sub>cy</sub> + 30 | —     | ns         |
| 72A       |                    |   | Single Byte              | 40                        | —     | ns         |
| 73        | TdiV2sCH, TdiV2sCL | Setup Time of SDIx Data Input to SCKx Edge                | 20                       | —                         | ns    |            |
| 73A       | Tb2B               | Last Clock Edge of Byte 1 to the 1st Clock Edge of Byte 2 | 1.5 T <sub>cy</sub> + 40 | —                         | ns    | (Note 2)   |
| 74        | Tsch2diL, TscL2diL | Hold Time of SDIx Data Input to SCKx Edge                 | 40                       | —                         | ns    |            |
| 75        | TdoR               | SDOx Data Output Rise Time                                | PIC18FXXXX               | —                         | 25    | ns         |
| 76        |                    |   | PIC18LFXXXX              | —                         | 45    | ns         |
| 76        | TdoF               | SDOx Data Output Fall Time                                | —                        | 25                        | ns    |            |
| 78        | TscR               | SCKx Output Rise Time (Master mode)                       | PIC18FXXXX               | —                         | 25    | ns         |
| 79        |                    |   | PIC18LFXXXX              | —                         | 45    | ns         |
| 79        | TscF               | SCKx Output Fall Time (Master mode)                       | —                        | 25                        | ns    |            |
| 80        | Tsch2doV, TscL2doV | SDOx Data Output Valid after SCKx Edge                    | PIC18FXXXX               | —                         | 50    | ns         |
|           |                    |   | PIC18LFXXXX              | —                         | 100   | ns         |

**Note 1:** Requires the use of Parameter #73A.

**Note 2:** Only if Parameter #71A and #72A are used.

# PIC18F8722 FAMILY

**FIGURE 28-16: EXAMPLE SPI MASTER MODE TIMING (CKE = 1)**



**TABLE 28-17: EXAMPLE SPI MODE REQUIREMENTS (MASTER MODE, CKE = 1)**

| Param. No. | Symbol                | Characteristic  | Min           | Max | Units | Conditions |
|------------|-----------------------|---|---------------|-----|-------|------------|
| 71         | Tsch                  | SCKx Input High Time                                      | 1.25 Tcy + 30 | —   | ns    |            |
| 71A        |                       | (Slave mode)  |               |     |       |            |
|            |                       | Continuous  | 40            | —   | ns    | (Note 1)   |
|            |                       | Single Byte   | 40            | —   | ns    | (Note 1)   |
| 72         | Tscl                  | SCKx Input Low Time                                       | 1.25 Tcy + 30 | —   | ns    |            |
| 72A        |                       | (Slave mode)  |               |     |       |            |
|            |                       | Continuous  | 40            | —   | ns    | (Note 1)   |
|            |                       | Single Byte   | 40            | —   | ns    | (Note 1)   |
| 73         | TdIV2sch,<br>TdIV2scl | Setup Time of SDIx Data Input to SCKx Edge                | 20            | —   | ns    |            |
| 73A        | Tb2b                  | Last Clock Edge of Byte 1 to the 1st Clock Edge of Byte 2 | 1.5 Tcy + 40  | —   | ns    | (Note 2)   |
| 74         | Tsch2dIL,<br>Tscl2dIL | Hold Time of SDIx Data Input to SCKx Edge                 | 40            | —   | ns    |            |
| 75         | TdoR                  | SDOx Data Output Rise Time                                |               |     |       |            |
|            |                       | PIC18FXXXX  | —             | 25  | ns    |            |
|            |                       | PIC18LFXXXX   | —             | 45  | ns    | VDD = 2.0V |
| 76         | TdoF                  | SDOx Data Output Fall Time                                | —             | 25  | ns    |            |
| 78         | TscR                  | SCKx Output Rise Time                                     |               |     |       |            |
|            |                       | (Master mode)   |               |     |       |            |
|            |                       | PIC18FXXXX  | —             | 25  | ns    |            |
|            |                       | PIC18LFXXXX   | —             | 45  | ns    | VDD = 2.0V |
| 79         | TscF                  | SCKx Output Fall Time (Master mode)                       | —             | 25  | ns    |            |
| 80         | Tsch2doV,<br>Tscl2doV | SDOx Data Output Valid after SCKx Edge                    |               |     |       |            |
|            |                       | PIC18FXXXX  | —             | 50  | ns    |            |
|            |                       | PIC18LFXXXX   | —             | 100 | ns    | VDD = 2.0V |
| 81         | TdoV2sch,<br>TdoV2scl | SDOx Data Output Setup to SCKx Edge                       | Tcy           | —   | ns    |            |

**Note 1:** Requires the use of Parameter #73A.

**Note 2:** Only if Parameter #71A and #72A are used.

# PIC18F8722 FAMILY

**FIGURE 28-17: EXAMPLE SPI SLAVE MODE TIMING (CKE = 0)**



**TABLE 28-18: EXAMPLE SPI MODE REQUIREMENTS (SLAVE MODE TIMING, CKE = 0)**

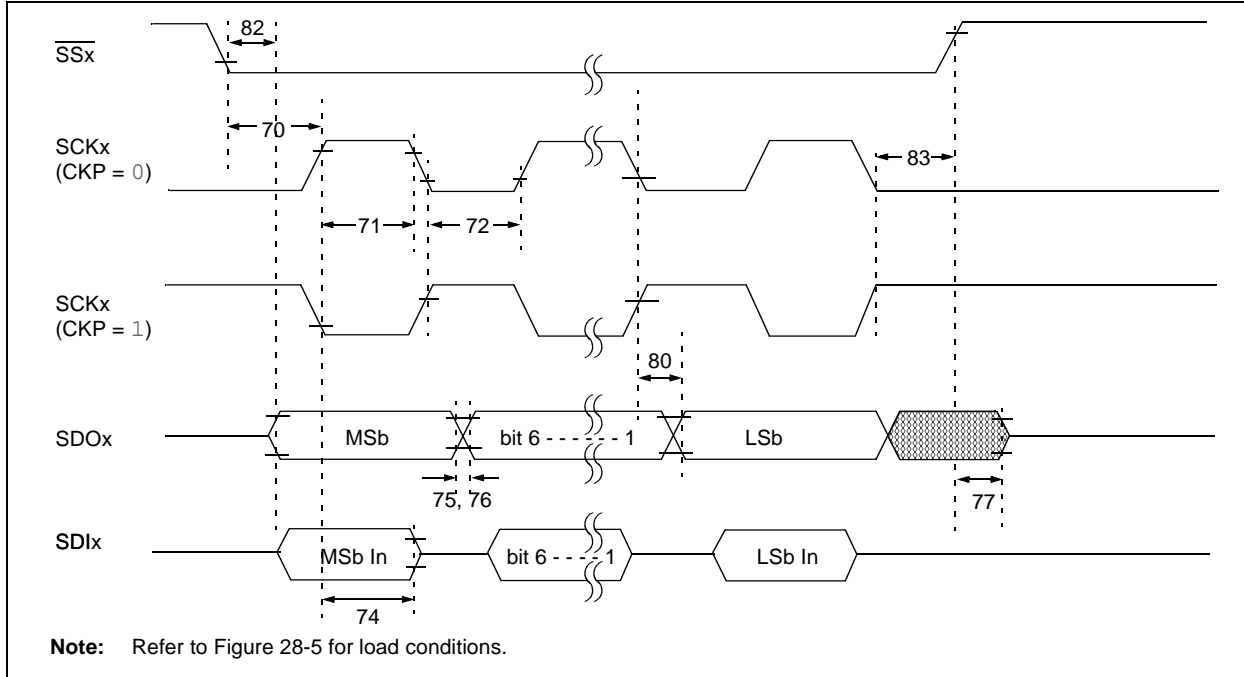
| Param No. | Symbol                | Characteristic  | Min                       | Max                 | Units    | Conditions      |
|-----------|-----------------------|---|---------------------------|---------------------|----------|-----------------|
| 70        | TssL2sch,<br>TssL2scl | $\overline{SSx} \downarrow$ to SCKx $\downarrow$ or SCKx $\uparrow$ Input | 3 Tcy                     | —                   | ns       |                 |
| 71<br>71A | Tsch                  | SCKx Input High Time (Slave mode)   | Continuous<br>Single Byte | 1.25 Tcy + 30<br>40 | —<br>ns  | <b>(Note 1)</b> |
| 72<br>72A | Tscl                  | SCKx Input Low Time (Slave mode)  | Continuous<br>Single Byte | 1.25 Tcy + 30<br>40 | —<br>ns  | <b>(Note 1)</b> |
| 73        | TdIV2sch,<br>TdIV2scl | Setup Time of SDIx Data Input to SCKx Edge                                | 20                        | —                   | ns       |                 |
| 73A       | TB2B                  | Last Clock Edge of Byte 1 to the First Clock Edge of Byte 2               | 1.5 Tcy + 40              | —                   | ns       | <b>(Note 2)</b> |
| 74        | Tsch2dIL,<br>TscL2dIL | Hold Time of SDIx Data Input to SCKx Edge                                 | 40                        | —                   | ns       |                 |
| 75        | TDoR                  | SDOx Data Output Rise Time  | PIC18FXXXX<br>PIC18LFXXXX | —<br>45             | 25<br>ns | VDD = 2.0V      |
| 76        | TDoF                  | SDOx Data Output Fall Time  | —                         | 25                  | ns       |                 |
| 77        | TssH2doZ              | $\overline{SSx} \uparrow$ to SDOx Output High-Impedance                   | 10                        | 50                  | ns       |                 |
| 78        | TscR                  | SCKx Output Rise Time (Master mode)                                       | PIC18FXXXX<br>PIC18LFXXXX | —<br>45             | 25<br>ns | VDD = 2.0V      |
| 79        | TscF                  | SCKx Output Fall Time (Master mode)                                       | —                         | 25                  | ns       |                 |
| 80        | Tsch2doV,<br>TscL2doV | SDOx Data Output Valid after SCKx Edge                                    | PIC18FXXXX<br>PIC18LFXXXX | —<br>100            | 50<br>ns | VDD = 2.0V      |
| 83        | Tsch2ssH,<br>TscL2ssH | $\overline{SSx} \uparrow$ after SCKx Edge                                 | 1.5 Tcy + 40              | —                   | ns       |                 |

**Note 1:** Requires the use of Parameter #73A.

**2:** Only if Parameter #71A and #72A are used.

# PIC18F8722 FAMILY

**FIGURE 28-18: EXAMPLE SPI SLAVE MODE TIMING (CKE = 1)**



**TABLE 28-19: EXAMPLE SPI SLAVE MODE REQUIREMENTS (CKE = 1)**

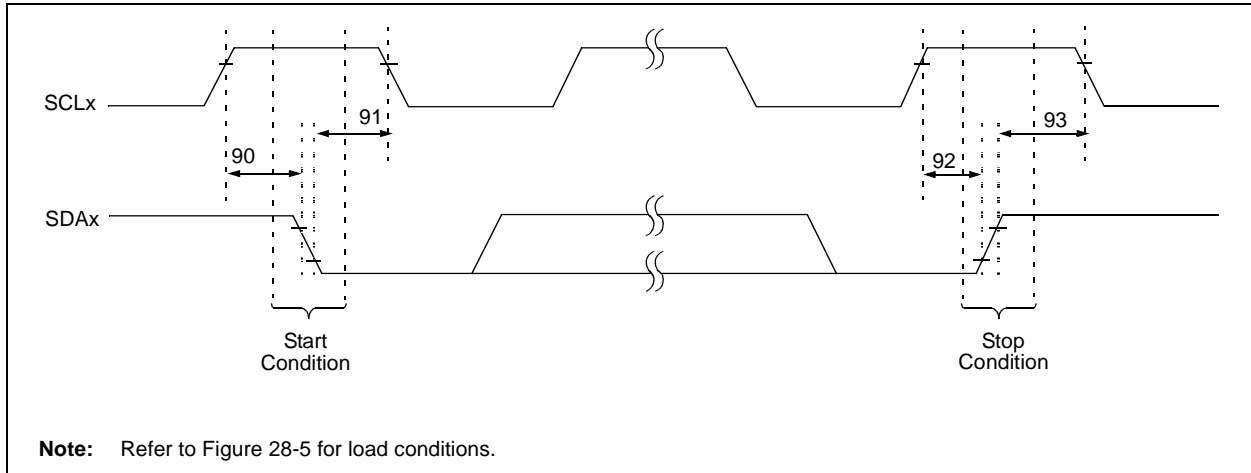
| Param No. | Symbol             | Characteristic  | Min          | Max           | Units | Conditions |
|-----------|--------------------|---|--------------|---------------|-------|------------|
| 70        | TssL2scl, TssL2sch | $\overline{SSx} \downarrow$ to SCKx $\downarrow$ or SCKx $\uparrow$ Input | 3 Tcy        | —             | ns    |            |
| 71        | Tsch               | SCKx Input High Time (Slave mode)   | Continuous   | 1.25 Tcy + 30 | —     | ns         |
| 71A       |                    |   | Single Byte  | 40            | —     | ns         |
| 72        | TscL               | SCKx Input Low Time (Slave mode)  | Continuous   | 1.25 Tcy + 30 | —     | ns         |
| 72A       |                    |   | Single Byte  | 40            | —     | ns         |
| 73A       | Tb2b               | Last Clock Edge of Byte 1 to the First Clock Edge of Byte 2               | 1.5 Tcy + 40 | —             | ns    | (Note 2)   |
| 74        | Tsch2dIL, TscL2dIL | Hold Time of SDIx Data Input to SCKx Edge                                 | 40           | —             | ns    |            |
| 75        | TdoR               | SDOx Data Output Rise Time  | PIC18FXXXX   | —             | 25    | ns         |
| 76        |                    |   | PIC18LFXXXX  | —             | 45    | ns         |
| 76        | TdoF               | SDOx Data Output Fall Time  | —            | 25            | ns    |            |
| 77        | TssH2doZ           | $\overline{SSx} \uparrow$ to SDOx Output High-Impedance                   | 10           | 50            | ns    |            |
| 78        | TscR               | SCKx Output Rise Time (Master mode)                                       | PIC18FXXXX   | —             | 25    | ns         |
| 79        |                    |   | PIC18LFXXXX  | —             | 45    | ns         |
| 79        | TscF               | SCKx Output Fall Time (Master mode)                                       | —            | 25            | ns    |            |
| 80        | Tsch2doV, TscL2doV | SDOx Data Output Valid after SCKx Edge                                    | PIC18FXXXX   | —             | 50    | ns         |
| 80        |                    |   | PIC18LFXXXX  | —             | 100   | ns         |
| 82        | TssL2doV           | SDOx Data Output Valid after $\overline{SSx} \downarrow$ Edge             | PIC18FXXXX   | —             | 50    | ns         |
| 82        |                    |   | PIC18LFXXXX  | —             | 100   | ns         |
| 83        | Tsch2ssH, TscL2ssH | $\overline{SSx} \uparrow$ after SCKx Edge                                 | 1.5 Tcy + 40 | —             | ns    |            |

**Note 1:** Requires the use of Parameter #73A.

**Note 2:** Only if Parameter #71A and #72A are used.

# PIC18F8722 FAMILY

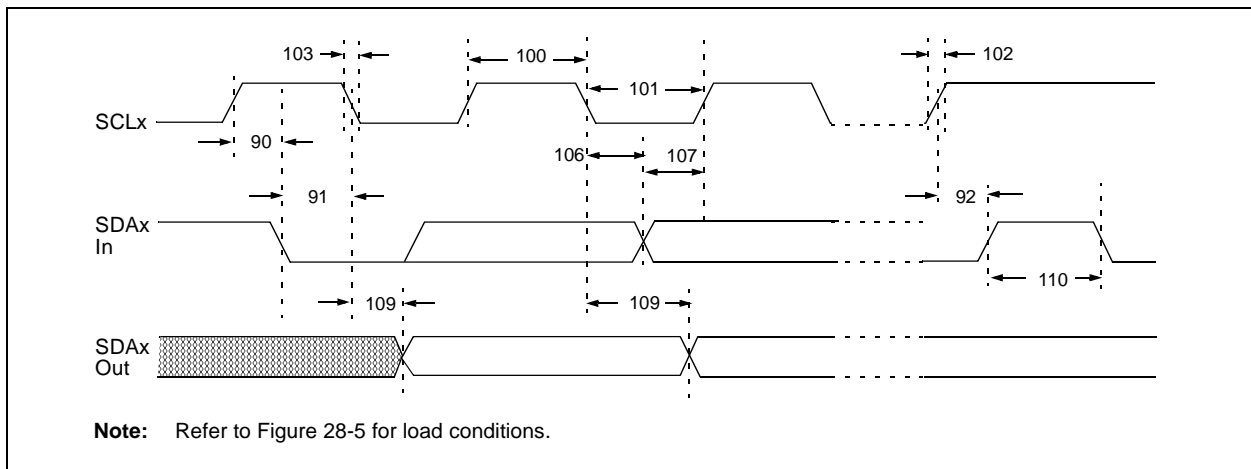
**FIGURE 28-19: I<sup>2</sup>C™ BUS START/STOP BITS TIMING**



**TABLE 28-20: I<sup>2</sup>C™ BUS START/STOP BITS REQUIREMENTS (SLAVE MODE)**

| Param. No. | Symbol  | Characteristic             | Min          | Max  | Units | Conditions |   |
|------------|---------|----------------------------|--------------|------|-------|------------|---|
| 90         | TSU:STA | Start Condition Setup Time | 100 kHz mode | 4700 | —     | ns         | Only relevant for Repeated Start condition            |
|            |         |                            | 400 kHz mode | 600  | —     |            |   |
| 91         | THD:STA | Start Condition Hold Time  | 100 kHz mode | 4000 | —     | ns         | After this period, the first clock pulse is generated |
|            |         |                            | 400 kHz mode | 600  | —     |            |   |
| 92         | TSU:STO | Stop Condition Setup Time  | 100 kHz mode | 4700 | —     | ns         |   |
|            |         |                            | 400 kHz mode | 600  | —     |            |   |
| 93         | THD:STO | Stop Condition Hold Time   | 100 kHz mode | 4000 | —     | ns         |   |
|            |         |                            | 400 kHz mode | 600  | —     |            |   |

**FIGURE 28-20: I<sup>2</sup>C™ BUS DATA TIMING**



# PIC18F8722 FAMILY

**TABLE 28-21: I<sup>2</sup>C™ BUS DATA REQUIREMENTS (SLAVE MODE)**

| Param. No. | Symbol         | Characteristic             | Min          | Max                     | Units | Conditions |   |
|------------|----------------|----------------------------|--------------|-------------------------|-------|------------|---|
| 100        | THIGH          | Clock High Time            | 100 kHz mode | 4.0                     | —     | μs         | PIC18FXXXX must operate at a minimum of 1.5 MHz               |
|            |                |                            | 400 kHz mode | 0.6                     | —     | μs         | PIC18FXXXX must operate at a minimum of 10 MHz                |
|            |                |                            | SSP Module   | 1.5 T <sub>CY</sub>     | —     |            |   |
| 101        | TLOW           | Clock Low Time             | 100 kHz mode | 4.7                     | —     | μs         | PIC18FXXXX must operate at a minimum of 1.5 MHz               |
|            |                |                            | 400 kHz mode | 1.3                     | —     | μs         | PIC18FXXXX must operate at a minimum of 10 MHz                |
|            |                |                            | SSP Module   | 1.5 T <sub>CY</sub>     | —     |            |   |
| 102        | TR             | SDAx and SCLx Rise Time    | 100 kHz mode | —                       | 1000  | ns         |   |
|            |                |                            | 400 kHz mode | 20 + 0.1 C <sub>B</sub> | 300   | ns         | C <sub>B</sub> is specified to be from 10 to 400 pF           |
| 103        | TF             | SDAx and SCLx Fall Time    | 100 kHz mode | —                       | 300   | ns         |   |
|            |                |                            | 400 kHz mode | 20 + 0.1 C <sub>B</sub> | 300   | ns         | C <sub>B</sub> is specified to be from 10 to 400 pF           |
| 90         | TSU:STA        | Start Condition Setup Time | 100 kHz mode | 4.7                     | —     | μs         | Only relevant for Repeated Start condition                    |
|            |                |                            | 400 kHz mode | 0.6                     | —     | μs         |   |
| 91         | THD:STA        | Start Condition Hold Time  | 100 kHz mode | 4.0                     | —     | μs         | After this period, the first clock pulse is generated         |
|            |                |                            | 400 kHz mode | 0.6                     | —     | μs         |   |
| 106        | THD:DAT        | Data Input Hold Time       | 100 kHz mode | 0                       | —     | ns         |   |
|            |                |                            | 400 kHz mode | 0                       | 0.9   | μs         |   |
| 107        | TSU:DAT        | Data Input Setup Time      | 100 kHz mode | 250                     | —     | ns         | <b>(Note 2)</b>   |
|            |                |                            | 400 kHz mode | 100                     | —     | ns         |   |
| 92         | TSU:STO        | Stop Condition Setup Time  | 100 kHz mode | 4.7                     | —     | μs         |   |
|            |                |                            | 400 kHz mode | 0.6                     | —     | μs         |   |
| 109        | TAA            | Output Valid from Clock    | 100 kHz mode | —                       | 3500  | ns         | <b>(Note 1)</b>   |
|            |                |                            | 400 kHz mode | —                       | —     | ns         |   |
| 110        | TBUF           | Bus Free Time              | 100 kHz mode | 4.7                     | —     | μs         | Time the bus must be free before a new transmission can start |
|            |                |                            | 400 kHz mode | 1.3                     | —     | μs         |   |
| D102       | C <sub>B</sub> | Bus Capacitive Loading     | —            | 400                     | pF    |            |   |

**Note 1:** As a transmitter, the device must provide this internal minimum delay time to bridge the undefined region (min. 300 ns) of the falling edge of SCLx to avoid unintended generation of Start or Stop conditions.

- 2:** A Fast mode I<sup>2</sup>C™ bus device can be used in a Standard mode I<sup>2</sup>C bus system, but the requirement, TSU:DAT ≥ 250 ns, must then be met. This will automatically be the case if the device does not stretch the LOW period of the SCLx signal. If such a device does stretch the LOW period of the SCLx signal, it must output the next data bit to the SDAx line, TR max. + TSU:DAT = 1000 + 250 = 1250 ns (according to the Standard mode I<sup>2</sup>C bus specification), before the SCLx line is released.

# PIC18F8722 FAMILY

**FIGURE 28-21: MASTER SSP I<sup>2</sup>C™ BUS START/STOP BITS TIMING WAVEFORMS**

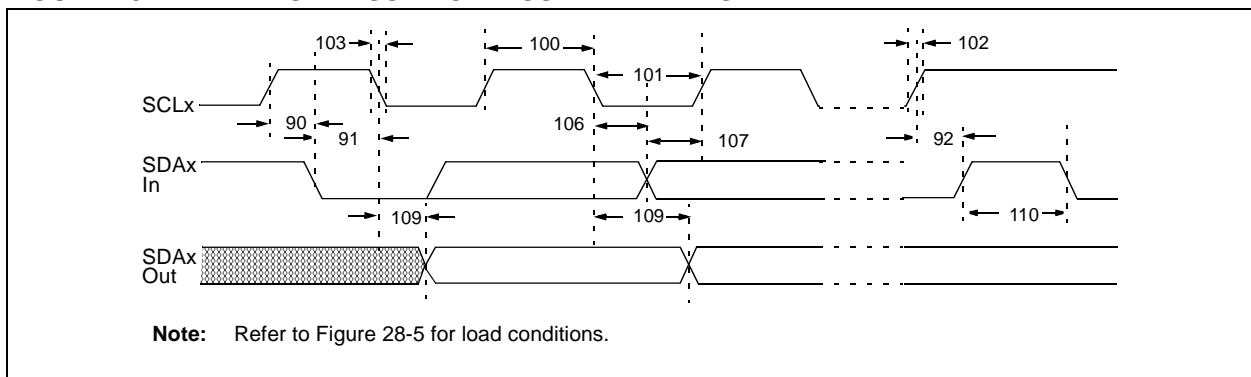


**TABLE 28-22: MASTER SSP I<sup>2</sup>C™ BUS START/STOP BITS REQUIREMENTS**

| Param. No. | Symbol  | Characteristic             | Min                       | Max                   | Units | Conditions |   |
|------------|---------|----------------------------|---------------------------|-----------------------|-------|------------|---|
| 90         | TSU:STA | Start Condition Setup Time | 100 kHz mode              | $2(T_{osc})(BRG + 1)$ | —     | ns         | Only relevant for Repeated Start condition            |
|            |         |                            | 400 kHz mode              | $2(T_{osc})(BRG + 1)$ | —     |            |   |
|            |         |                            | 1 MHz mode <sup>(1)</sup> | $2(T_{osc})(BRG + 1)$ | —     |            |   |
| 91         | THD:STA | Start Condition Hold Time  | 100 kHz mode              | $2(T_{osc})(BRG + 1)$ | —     | ns         | After this period, the first clock pulse is generated |
|            |         |                            | 400 kHz mode              | $2(T_{osc})(BRG + 1)$ | —     |            |   |
|            |         |                            | 1 MHz mode <sup>(1)</sup> | $2(T_{osc})(BRG + 1)$ | —     |            |   |
| 92         | TSU:STO | Stop Condition Setup Time  | 100 kHz mode              | $2(T_{osc})(BRG + 1)$ | —     | ns         |   |
|            |         |                            | 400 kHz mode              | $2(T_{osc})(BRG + 1)$ | —     |            |   |
|            |         |                            | 1 MHz mode <sup>(1)</sup> | $2(T_{osc})(BRG + 1)$ | —     |            |   |
| 93         | THD:STO | Stop Condition Hold Time   | 100 kHz mode              | $2(T_{osc})(BRG + 1)$ | —     | ns         |   |
|            |         |                            | 400 kHz mode              | $2(T_{osc})(BRG + 1)$ | —     |            |   |
|            |         |                            | 1 MHz mode <sup>(1)</sup> | $2(T_{osc})(BRG + 1)$ | —     |            |   |

**Note 1:** Maximum pin capacitance = 10 pF for all I<sup>2</sup>C™ pins.

**FIGURE 28-22: MASTER SSP I<sup>2</sup>C™ BUS DATA TIMING**



# PIC18F8722 FAMILY

**TABLE 28-23: MASTER SSP I<sup>2</sup>C™ BUS DATA REQUIREMENTS**

| Param. No. | Symbol  | Characteristic             | Min                       | Max              | Units | Conditions |
|------------|---------|----------------------------|---------------------------|------------------|-------|------------|
| 100        | THIGH   | Clock High Time            | 100 kHz mode              | 2(Tosc)(BRG + 1) | —     | ms         |
|            |         |                            | 400 kHz mode              | 2(Tosc)(BRG + 1) | —     | ms         |
|            |         |                            | 1 MHz mode <sup>(1)</sup> | 2(Tosc)(BRG + 1) | —     | ms         |
| 101        | TLOW    | Clock Low Time             | 100 kHz mode              | 2(Tosc)(BRG + 1) | —     | ms         |
|            |         |                            | 400 kHz mode              | 2(Tosc)(BRG + 1) | —     | ms         |
|            |         |                            | 1 MHz mode <sup>(1)</sup> | 2(Tosc)(BRG + 1) | —     | ms         |
| 102        | TR      | SDAx and SCLx Rise Time    | 100 kHz mode              | —                | 1000  | ns         |
|            |         |                            | 400 kHz mode              | 20 + 0.1 Cb      | 300   | ns         |
|            |         |                            | 1 MHz mode <sup>(1)</sup> | —                | 300   | ns         |
| 103        | TF      | SDAx and SCLx Fall Time    | 100 kHz mode              | —                | 300   | ns         |
|            |         |                            | 400 kHz mode              | 20 + 0.1 Cb      | 300   | ns         |
|            |         |                            | 1 MHz mode <sup>(1)</sup> | —                | 100   | ns         |
| 90         | TSU:STA | Start Condition Setup Time | 100 kHz mode              | 2(Tosc)(BRG + 1) | —     | ms         |
|            |         |                            | 400 kHz mode              | 2(Tosc)(BRG + 1) | —     | ms         |
|            |         |                            | 1 MHz mode <sup>(1)</sup> | 2(Tosc)(BRG + 1) | —     | ms         |
| 91         | THD:STA | Start Condition Hold Time  | 100 kHz mode              | 2(Tosc)(BRG + 1) | —     | ms         |
|            |         |                            | 400 kHz mode              | 2(Tosc)(BRG + 1) | —     | ms         |
|            |         |                            | 1 MHz mode <sup>(1)</sup> | 2(Tosc)(BRG + 1) | —     | ms         |
| 106        | THD:DAT | Data Input Hold Time       | 100 kHz mode              | 0                | —     | ns         |
|            |         |                            | 400 kHz mode              | 0                | 0.9   | ms         |
|            |         |                            | 1 MHz mode <sup>(1)</sup> | TBD              | —     | ns         |
| 107        | TSU:DAT | Data Input Setup Time      | 100 kHz mode              | 250              | —     | ns         |
|            |         |                            | 400 kHz mode              | 100              | —     | ns         |
|            |         |                            | 1 MHz mode <sup>(1)</sup> | TBD              | —     | ns         |
| 92         | TSU:STO | Stop Condition Setup Time  | 100 kHz mode              | 2(Tosc)(BRG + 1) | —     | ms         |
|            |         |                            | 400 kHz mode              | 2(Tosc)(BRG + 1) | —     | ms         |
|            |         |                            | 1 MHz mode <sup>(1)</sup> | 2(Tosc)(BRG + 1) | —     | ms         |
| 109        | TAA     | Output Valid from Clock    | 100 kHz mode              | —                | 3500  | ns         |
|            |         |                            | 400 kHz mode              | —                | 1000  | ns         |
|            |         |                            | 1 MHz mode <sup>(1)</sup> | —                | —     | ns         |
| 110        | TBUF    | Bus Free Time              | 100 kHz mode              | 4.7              | —     | ms         |
|            |         |                            | 400 kHz mode              | 1.3              | —     | ms         |
|            |         |                            | 1 MHz mode <sup>(1)</sup> | TBD              | —     | ms         |
| D102       | Cb      | Bus Capacitive Loading     | —                         | 400              | pF    |            |

**Legend:** TBD = To Be Determined

**Note 1:** Maximum pin capacitance = 10 pF for all I<sup>2</sup>C™ pins.

- 2:** A Fast mode I<sup>2</sup>C bus device can be used in a Standard mode I<sup>2</sup>C bus system, but parameter #107 ≥ 250 ns must then be met. This will automatically be the case if the device does not stretch the LOW period of the SCLx signal. If such a device does stretch the LOW period of the SCLx signal, it must output the next data bit to the SDAx line, parameter #102 + parameter #107 = 1000 + 250 = 1250 ns (for 100 kHz mode,) before the SCLx line is released.



# PIC18F8722 FAMILY

**FIGURE 28-23: EUSART SYNCHRONOUS TRANSMISSION (MASTER/SLAVE) TIMING**



**TABLE 28-24: EUSART SYNCHRONOUS TRANSMISSION REQUIREMENTS**

| Param No. | Symbol   | Characteristic   | Min         | Max | Units | Conditions |            |
|-----------|----------|--|-------------|-----|-------|------------|------------|
| 120       | TckH2DTV | SYNC XMIT (MASTER and SLAVE)<br>Clock High to Data Out Valid | PIC18FXXXX  | —   | 40    | ns         |            |
|           |          |  | PIC18LFXXXX | —   | 100   | ns         | VDD = 2.0V |
| 121       | TCKRF    | Clock Out Rise Time and Fall Time<br>(Master mode)           | PIC18FXXXX  | —   | 20    | ns         |            |
|           |          |  | PIC18LFXXXX | —   | 50    | ns         | VDD = 2.0V |
| 122       | TDTRF    | Data Out Rise Time and Fall Time                             | PIC18FXXXX  | —   | 20    | ns         |            |
|           |          |  | PIC18LFXXXX | —   | 50    | ns         | VDD = 2.0V |

**FIGURE 28-24: EUSART SYNCHRONOUS RECEIVE (MASTER/SLAVE) TIMING**



**TABLE 28-25: EUSART SYNCHRONOUS RECEIVE REQUIREMENTS**

| Param. No. | Symbol   | Characteristic  | Min      | Max                                   | Units | Conditions |
|------------|----------|---|----------|---------------------------------------|-------|------------|
| 125        | TDTV2CKL | SYNC RCV (MASTER and SLAVE)<br>Data Hold before CKx ↓ (DTx hold time) | 10       | —                                     | ns    |            |
|            |          | 126   | TckL2DTL | Data Hold after CKx ↓ (DTx hold time) | 15    | —          |

# PIC18F8722 FAMILY

**TABLE 28-26: A/D CONVERTER CHARACTERISTICS: PIC18F6X27/6X22/8X27/8X22 (INDUSTRIAL)  
PIC18LF6X27/6X22/8X27/8X22 (INDUSTRIAL)**

| Param No. | Symbol           | Characteristic                                       | Min                       | Typ | Max             | Units      | Conditions   |                                      |
|-----------|------------------|--|---------------------------|-----|-----------------|------------|--|--------------------------------------|
| A01       | NR               | Resolution   | —                         | —   | 10              | bit        | $\Delta V_{REF} \geq 3.0V$                                       |                                      |
| A03       | EIL              | Integral Linearity Error                             | —                         | —   | $<\pm 1$        | LSb        | $\Delta V_{REF} \geq 3.0V$                                       |                                      |
| A04       | EDL              | Differential Linearity Error                         | —                         | —   | $<\pm 1$        | LSb        | $\Delta V_{REF} \geq 3.0V$                                       |                                      |
| A06       | E0FF             | Offset Error   | —                         | —   | $<\pm 2$        | LSb        | $\Delta V_{REF} \geq 3.0V$                                       |                                      |
| A07       | E0N              | Gain Error   | —                         | —   | $<\pm 1$        | LSb        | $\Delta V_{REF} \geq 3.0V$                                       |                                      |
| A10       | —                | Monotonicity   | Guaranteed <sup>(1)</sup> |     |                 | —          | $V_{SS} \leq V_{AIN} \leq V_{REF}$                               |                                      |
| A20       | $\Delta V_{REF}$ | Reference Voltage Range<br>( $V_{REFH} - V_{REFL}$ ) | 1.8                       | —   | —               | V          | $V_{DD} < 3.0V$  |                                      |
|           |                  |  | 3                         | —   | —               | V          | $V_{DD} \geq 3.0V$   |                                      |
| A21       | $V_{REFH}$       | Reference Voltage High                               | $V_{SS}$                  | —   | $V_{REFH}$      | V          |  |                                      |
| A22       | $V_{REFL}$       | Reference Voltage Low                                | $V_{SS} - 0.3V$           | —   | $V_{DD} - 3.0V$ | V          |  |                                      |
| A25       | $V_{AIN}$        | Analog Input Voltage                                 | $V_{REFL}$                | —   | $V_{REFH}$      | V          |  |                                      |
| A30       | $Z_{AIN}$        | Recommended Impedance of<br>Analog Voltage Source    | —                         | —   | 2.5             | k $\Omega$ |  |                                      |
| A40       | $I_{AD}$         | A/D Current<br>from $V_{DD}$                         | PIC18FXXXX                | —   | 180             | —          | $\mu A$  | Average current during<br>conversion |
|           |                  |  | PIC18LFXXXX               | —   | 90              | —          | $\mu A$  |                                      |
| A50       | $I_{REF}$        | $V_{REF}$ Input Current <sup>(2)</sup>               | —                         | —   | 5               | $\mu A$    | During $V_{AIN}$ acquisition.<br>During A/D conversion<br>cycle. |                                      |
|           |                  |  | —                         | —   | 150             | $\mu A$    |  |                                      |

**Note 1:** The A/D conversion result never decreases with an increase in the input voltage and has no missing codes.

**Note 2:**  $V_{REFH}$  current is from RA3/AN3/ $V_{REF+}$  pin or  $V_{DD}$ , whichever is selected as the  $V_{REFH}$  source.  
 $V_{REFL}$  current is from RA2/AN2/ $V_{REF-}$  pin or  $V_{SS}$ , whichever is selected as the  $V_{REFL}$  source.

**FIGURE 28-25: A/D CONVERSION TIMING**



# PIC18F8722 FAMILY

**TABLE 28-27: A/D CONVERSION REQUIREMENTS**

| Param No. | Symbol | Characteristic  | Min         | Max             | Units               | Conditions     |  |
|-----------|--------|---|-------------|-----------------|---------------------|----------------|--|
| 130       | TAD    | A/D Clock Period  | PIC18FXXXX  | 0.7             | 25.0 <sup>(1)</sup> | μs             | TOSC based, VREF ≥ 3.0V                    |
|           |        |   | PIC18LFXXXX | 1.4             | 25.0 <sup>(1)</sup> | μs             | VDD = 2.0V;<br>TOSC based, VREF full range |
|           |        |   | PIC18FXXXX  | —               | 1                   | μs             | A/D RC mode                                |
|           |        |   | PIC18LFXXXX | —               | 3                   | μs             | VDD = 2.0V; A/D RC mode                    |
| 131       | TcNV   | Conversion Time<br>(not including acquisition time) <b>(Note 2)</b> | 11          | 12              | TAD                 |                |  |
| 132       | TACQ   | Acquisition Time <b>(Note 3)</b>                                    | 1.4         | —               | μs                  | -40°C to +85°C |  |
| 135       | TswC   | Switching Time from Convert → Sample                                | —           | <b>(Note 4)</b> |                     |                |  |
| 137       | TDIS   | Discharge Time  | 0.2         | —               | μs                  |                |  |

**Legend:** TBD = To Be Determined

**Note 1:** The time of the A/D clock period is dependent on the device frequency and the TAD clock divider.

**2:** ADRES register may be read on the following T<sub>CY</sub> cycle.

**3:** The time for the holding capacitor to acquire the “New” input voltage when the voltage changes full scale after the conversion (VDD to VSS or VSS to VDD). The source impedance (R<sub>S</sub>) on the input channels is 50Ω.

**4:** On the following cycle of the device clock.

# PIC18F8722 FAMILY

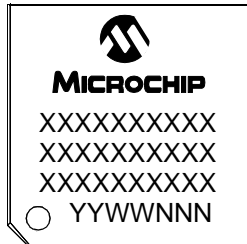
---

NOTES:

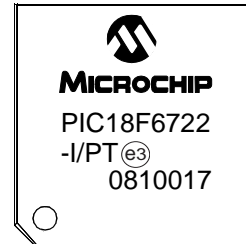
## 29.0 PACKAGING INFORMATION

### 29.1 Package Marking Information

64-Lead TQFP



Example



80-Lead TQFP



Example



|                |        |  |
|----------------|--------|--|
| <b>Legend:</b> | XX...X | Product-specific information   |
|                | Y      | Year code (last digit of calendar year)  |
|                | YY     | Year code (last 2 digits of calendar year)   |
|                | WW     | Week code (week of January 1 is week '01')   |
|                | NNN    | Alphanumeric traceability code   |
|                | (e3)   | Pb-free JEDEC designator for Matte Tin (Sn)  |
|                | *      | This package is Pb-free. The Pb-free JEDEC designator (e3) can be found on the outer packaging for this package. |

**Note:** In the event the full Microchip part number cannot be marked on one line, it will be carried over to the next line, thus limiting the number of available characters for customer-specific information.

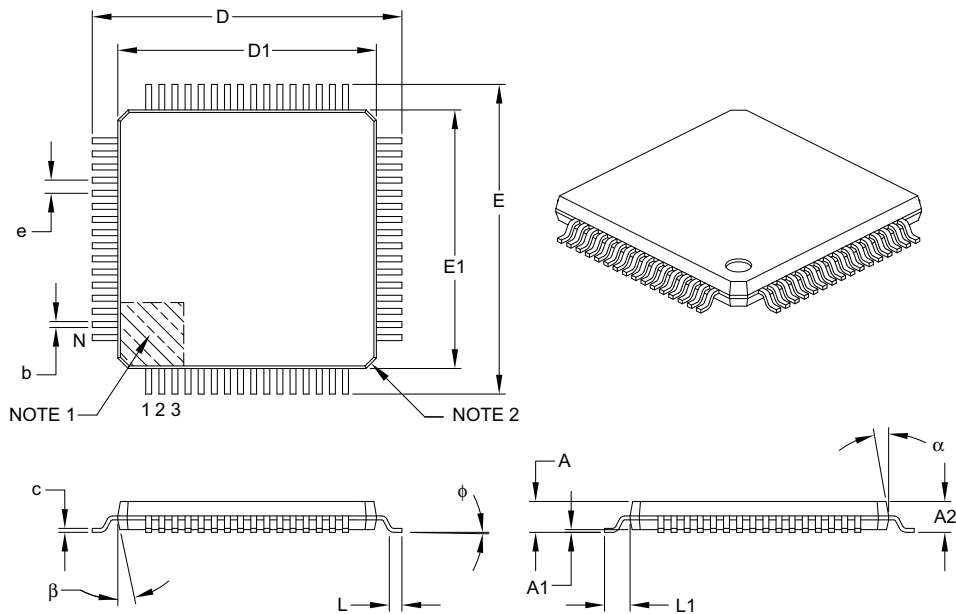
# PIC18F8722 FAMILY

## 29.2 Package Details

The following sections give the technical details of the packages.

### 64-Lead Plastic Thin Quad Flatpack (PT) – 10x10x1 mm Body, 2.00 mm [TQFP]

**Note:** For the most current package drawings, please see the Microchip Packaging Specification located at <http://www.microchip.com/packaging>



| Dimension Limits         | Units    | MILLIMETERS |      |      |
|--------------------------|----------|-------------|------|------|
|                          |          | MIN         | NOM  | MAX  |
| Number of Leads          | N        | 64          |      |      |
| Lead Pitch               | e        | 0.50 BSC    |      |      |
| Overall Height           | A        | –           | –    | 1.20 |
| Molded Package Thickness | A2       | 0.95        | 1.00 | 1.05 |
| Standoff                 | A1       | 0.05        | –    | 0.15 |
| Foot Length              | L        | 0.45        | 0.60 | 0.75 |
| Footprint                | L1       | 1.00 REF    |      |      |
| Foot Angle               | $\phi$   | 0°          | 3.5° | 7°   |
| Overall Width            | E        | 12.00 BSC   |      |      |
| Overall Length           | D        | 12.00 BSC   |      |      |
| Molded Package Width     | E1       | 10.00 BSC   |      |      |
| Molded Package Length    | D1       | 10.00 BSC   |      |      |
| Lead Thickness           | c        | 0.09        | –    | 0.20 |
| Lead Width               | b        | 0.17        | 0.22 | 0.27 |
| Mold Draft Angle Top     | $\alpha$ | 11°         | 12°  | 13°  |
| Mold Draft Angle Bottom  | $\beta$  | 11°         | 12°  | 13°  |

**Notes:**

- Pin 1 visual index feature may vary, but must be located within the hatched area.
- Chamfers at corners are optional; size may vary.
- Dimensions D1 and E1 do not include mold flash or protrusions. Mold flash or protrusions shall not exceed 0.25 mm per side.
- Dimensioning and tolerancing per ASME Y14.5M.

BSC: Basic Dimension. Theoretically exact value shown without tolerances.

REF: Reference Dimension, usually without tolerance, for information purposes only.

Microchip Technology Drawing C04-085B

# PIC18F8722 FAMILY

## 64-Lead Plastic Thin Quad Flatpack (PT) – 10x10x1 mm Body, 2.00 mm [TQFP]

**Note:** For the most current package drawings, please see the Microchip Packaging Specification located at <http://www.microchip.com/packaging>



RECOMMENDED LAND PATTERN

| Dimension Limits         | Units | MILLIMETERS |       |      |
|--------------------------|-------|-------------|-------|------|
|                          |       | MIN         | NOM   | MAX  |
| Contact Pitch            | E     | 0.50 BSC    |       |      |
| Contact Pad Spacing      | C1    |             | 11.40 |      |
| Contact Pad Spacing      | C2    |             | 11.40 |      |
| Contact Pad Width (X64)  | X1    |             |       | 0.30 |
| Contact Pad Length (X64) | Y1    |             |       | 1.50 |
| Distance Between Pads    | G     | 0.20        |       |      |

**Notes:**

1. Dimensioning and tolerancing per ASME Y14.5M

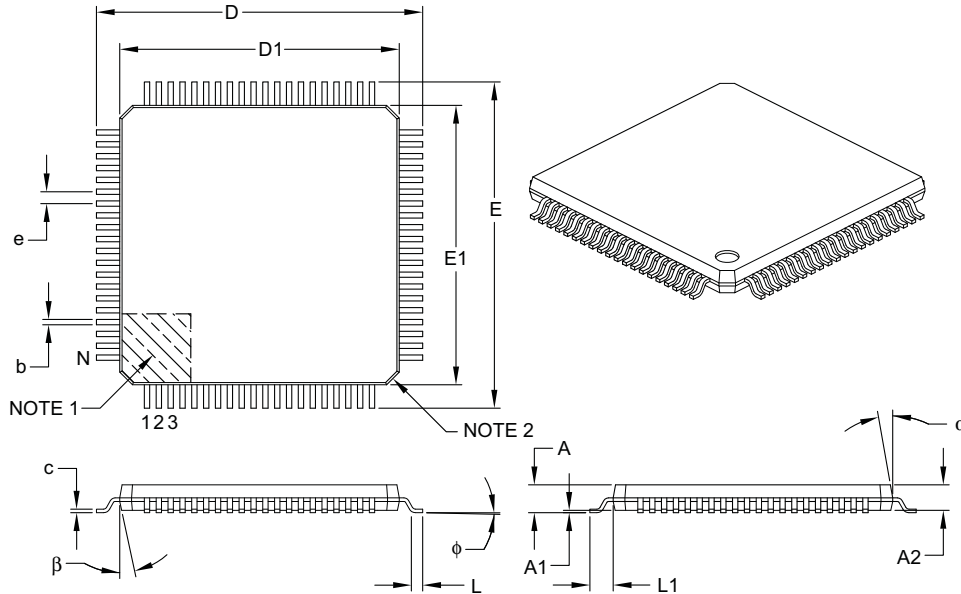
BSC: Basic Dimension. Theoretically exact value shown without tolerances.

Microchip Technology Drawing No. C04-2085A

# PIC18F8722 FAMILY

## 80-Lead Plastic Thin Quad Flatpack (PT) – 12x12x1 mm Body, 2.00 mm [TQFP]

**Note:** For the most current package drawings, please see the Microchip Packaging Specification located at <http://www.microchip.com/packaging>



| Dimension Limits         | Units | MILLIMETERS |      |      |
|--------------------------|-------|-------------|------|------|
|                          |       | MIN         | NOM  | MAX  |
| Number of Leads          | N     | 80          |      |      |
| Lead Pitch               | e     | 0.50 BSC    |      |      |
| Overall Height           | A     | –           | –    | 1.20 |
| Molded Package Thickness | A2    | 0.95        | 1.00 | 1.05 |
| Standoff                 | A1    | 0.05        | –    | 0.15 |
| Foot Length              | L     | 0.45        | 0.60 | 0.75 |
| Footprint                | L1    | 1.00 REF    |      |      |
| Foot Angle               | φ     | 0°          | 3.5° | 7°   |
| Overall Width            | E     | 14.00 BSC   |      |      |
| Overall Length           | D     | 14.00 BSC   |      |      |
| Molded Package Width     | E1    | 12.00 BSC   |      |      |
| Molded Package Length    | D1    | 12.00 BSC   |      |      |
| Lead Thickness           | c     | 0.09        | –    | 0.20 |
| Lead Width               | b     | 0.17        | 0.22 | 0.27 |
| Mold Draft Angle Top     | α     | 11°         | 12°  | 13°  |
| Mold Draft Angle Bottom  | β     | 11°         | 12°  | 13°  |

**Notes:**

- Pin 1 visual index feature may vary, but must be located within the hatched area.
- Chamfers at corners are optional; size may vary.
- Dimensions D1 and E1 do not include mold flash or protrusions. Mold flash or protrusions shall not exceed 0.25 mm per side.
- Dimensioning and tolerancing per ASME Y14.5M.

BSC: Basic Dimension. Theoretically exact value shown without tolerances.

REF: Reference Dimension, usually without tolerance, for information purposes only.

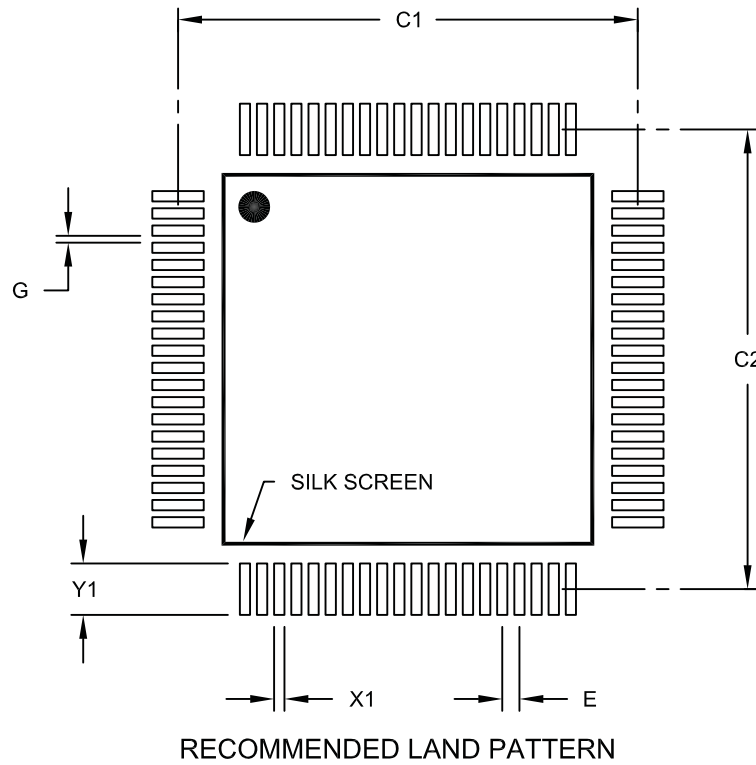
Microchip Technology Drawing C04-092B



# PIC18F8722 FAMILY

## 80-Lead Plastic Thin Quad Flatpack (PT) – 12x12x1 mm Body, 2.00 mm [TQFP]

**Note:** For the most current package drawings, please see the Microchip Packaging Specification located at <http://www.microchip.com/packaging>



|                          |    | MILLIMETERS |       |      |
|--------------------------|----|-------------|-------|------|
|                          |    | MIN         | NOM   | MAX  |
| Contact Pitch            | E  | 0.50 BSC    |       |      |
| Contact Pad Spacing      | C1 |             | 13.40 |      |
| Contact Pad Spacing      | C2 |             | 13.40 |      |
| Contact Pad Width (X80)  | X1 |             |       | 0.30 |
| Contact Pad Length (X80) | Y1 |             |       | 1.50 |
| Distance Between Pads    | G  | 0.20        |       |      |

**Notes:**

1. Dimensioning and tolerancing per ASME Y14.5M

BSC: Basic Dimension. Theoretically exact value shown without tolerances.

Microchip Technology Drawing No. C04-2092A

# PIC18F8722 FAMILY

---

NOTES:

# PIC18F8722 FAMILY

## APPENDIX A: REVISION HISTORY

### Revision A (September 2004)

Original data sheet for the PIC18F8722 family of devices.

### Revision B (December 2004)

This revision includes updates to the Electrical Specifications in **Section 28.0 “Electrical Characteristics”**, minor corrections to the data sheet text and information to support the following devices has been added:

- PIC18F6527
- PIC18F6622
- PIC18F8527
- PIC18F8622
- PIC18LF6527
- PIC18LF6622
- PIC18LF8527
- PIC18LF8622

### Revision C (October 2008)

Updated some specifications in **Section 28.0 “Electrical Characteristics”**, package and land pattern illustrations in **Section 29.0 “Packaging Information”** and the format of all register tables.

## APPENDIX B: DEVICE DIFFERENCES

The differences between the devices listed in this data sheet are shown in Table B-1.

**TABLE B-1: DEVICE DIFFERENCES (PIC18F6527/6622/6627/6722)**

| Features                             | PIC18F6527                | PIC18F6622                | PIC18F6627                | PIC18F6722                |
|--------------------------------------|---------------------------|---------------------------|---------------------------|---------------------------|
| Program Memory (Bytes)               | 48K                       | 64K                       | 96K                       | 128K                      |
| Program Memory (Instructions)        | 24576                     | 32768                     | 49152                     | 65536                     |
| Interrupt Sources                    | 28                        | 28                        | 28                        | 28                        |
| I/O Ports                            | Ports A, B, C, D, E, F, G | Ports A, B, C, D, E, F, G | Ports A, B, C, D, E, F, G | Ports A, B, C, D, E, F, G |
| Capture/Compare/PWM Modules          | 2                         | 2                         | 2                         | 2                         |
| Enhanced Capture/Compare/PWM Modules | 3                         | 3                         | 3                         | 3                         |
| Parallel Communications (PSP)        | Yes                       | Yes                       | Yes                       | Yes                       |
| External Memory Bus                  | No                        | No                        | No                        | No                        |
| 10-bit Analog-to-Digital Module      | 12 input channels         | 12 input channels         | 12 input channels         | 12 input channels         |
| Packages                             | 64-pin TQFP               | 64-pin TQFP               | 64-pin TQFP               | 64-pin TQFP               |

**TABLE B-2: DEVICE DIFFERENCES (PIC18F8527/8622/8627/8722)**

| Features                             | PIC18F8527                      | PIC18F8622                      | PIC18F8627                      | PIC18F8722                      |
|--------------------------------------|---------------------------------|---------------------------------|---------------------------------|---------------------------------|
| Program Memory (Bytes)               | 48K                             | 64K                             | 96K                             | 128K                            |
| Program Memory (Instructions)        | 24576                           | 32768                           | 49152                           | 65536                           |
| Interrupt Sources                    | 29                              | 29                              | 29                              | 29                              |
| I/O Ports                            | Ports A, B, C, D, E, F, G, H, J | Ports A, B, C, D, E, F, G, H, J | Ports A, B, C, D, E, F, G, H, J | Ports A, B, C, D, E, F, G, H, J |
| Capture/Compare/PWM Modules          | 2                               | 2                               | 2                               | 2                               |
| Enhanced Capture/Compare/PWM Modules | 3                               | 3                               | 3                               | 3                               |
| Parallel Communications (PSP)        | Yes                             | Yes                             | Yes                             | Yes                             |
| External Memory Bus                  | Yes                             | Yes                             | Yes                             | Yes                             |
| 10-bit Analog-to-Digital Module      | 16 input channels               | 16 input channels               | 16 input channels               | 16 input channels               |
| Packages                             | 80-pin TQFP                     | 80-pin TQFP                     | 80-pin TQFP                     | 80-pin TQFP                     |

# PIC18F8722 FAMILY

---

## APPENDIX C: CONVERSION CONSIDERATIONS

This appendix discusses the considerations for converting from previous versions of a device to the ones listed in this data sheet. Typically, these changes are due to the differences in the process technology used. An example of this type of conversion is from a PIC16C74A to a PIC16C74B.

**Not Applicable**

## APPENDIX D: MIGRATION FROM BASELINE TO ENHANCED DEVICES

This section discusses how to migrate from a Baseline device (i.e., PIC16C5X) to an Enhanced MCU device (i.e., PIC18FXXX).

The following are the list of modifications over the PIC16C5X microcontroller family:

**Not Currently Available**

## **APPENDIX E: MIGRATION FROM MID-RANGE TO ENHANCED DEVICES**

A detailed discussion of the differences between the mid-range MCU devices (i.e., PIC16CXXX) and the enhanced devices (i.e., PIC18FXXX) is provided in AN716, "*Migrating Designs from PIC16C74A/74B to PIC18C442*". The changes discussed, while device specific, are generally applicable to all mid-range to enhanced device migrations.

This Application Note is available on our web site, [www.microchip.com](http://www.microchip.com), as Literature Number DS00716.

## **APPENDIX F: MIGRATION FROM HIGH-END TO ENHANCED DEVICES**

A detailed discussion of the migration pathway and differences between the high-end MCU devices (i.e., PIC17CXXX) and the enhanced devices (i.e., PIC18FXXX) is provided in AN726, "*PIC17CXXX to PIC18CXXX Migration*".

This Application Note is available on our web site, [www.microchip.com](http://www.microchip.com), as Literature Number DS00726.

# PIC18F8722 FAMILY

---

NOTES:

## INDEX

### A

|  |          |   |     |
|--|----------|---|-----|
| A/D  | 271      | Analog Input Model                            | 275 |
| A/D Converter Interrupt, Configuring         | 275      | Baud Rate Generator                           | 232 |
| Acquisition Requirements                     | 276      | Capture Mode Operation                        | 181 |
| ADCON0 Register                              | 271      | Comparator Analog Input Model                 | 285 |
| ADCON1 Register                              | 271      | Comparator I/O Operating Modes                | 282 |
| ADCON2 Register                              | 271      | Comparator Output                             | 284 |
| ADRESH Register                              | 271, 274 | Comparator Voltage Reference                  | 288 |
| ADRESL Register                              | 271      | Comparator Voltage Reference Output           |     |
| Analog Port Pins                             | 158      | Buffer Example                                | 289 |
| Analog Port Pins, Configuring                | 278      | Compare Mode Operation                        | 182 |
| Associated Registers                         | 280      | Device Clock                                  | 37  |
| Configuring the Module                       | 275      | Enhanced PWM                                  | 193 |
| Conversion Clock (TAD)                       | 277      | EUSART Receive                                | 260 |
| Conversion Status (GO/DONE Bit)              | 274      | EUSART Transmit                               | 258 |
| Conversions                                  | 279      | External Power-on Reset Circuit               |     |
| Converter Characteristics                    | 416      | (Slow VDD Power-up)                           | 51  |
| Discharge                                    | 279      | Fail-Safe Clock Monitor (FSCM)                | 315 |
| Operation in Power-Managed Modes             | 278      | Generic I/O Port Operation                    | 135 |
| Selecting and Configuring Acquisition Time   | 277      | High/Low-Voltage Detect with External Input   | 292 |
| Special Event Trigger (ECCP)                 | 192      | HSPLL   | 33  |
| Special Event Trigger (ECCP2)                | 280      | Interrupt Logic                               | 120 |
| Use of the ECCP2 Trigger                     | 280      | INTOSC and PLL                                | 34  |
| Absolute Maximum Ratings                     | 375      | MSSP (I <sup>2</sup> C Master Mode)           | 230 |
| AC (Timing) Characteristics                  | 396      | MSSP (I <sup>2</sup> C Mode)                  | 215 |
| Load Conditions for Device                   |          | MSSP (SPI Mode)                               | 205 |
| Timing Specifications                        | 397      | On-Chip Reset Circuit                         | 49  |
| Parameter Symbology                          | 396      | PIC18F6527/6622/6627/6722                     | 11  |
| Temperature and Voltage Specifications       | 397      | PIC18F8527/8622/8627/8722                     | 12  |
| Timing Conditions                            | 397      | PORTD and PORTE (Parallel Slave Port)         | 158 |
| Access Bank                                  |          | PWM Operation (Simplified)                    | 184 |
| Mapping in Indexed Literal Offset Mode       | 85       | Reads from Flash Program Memory               | 91  |
| ACKSTAT                                      | 236      | Single Comparator                             | 283 |
| ACKSTAT Status Flag                          | 236      | Table Read Operation                          | 87  |
| ADCON0 Register                              | 271      | Table Write Operation                         | 88  |
| GO/DONE Bit                                  | 274      | Table Writes to Flash Program Memory          | 93  |
| ADCON1 Register                              | 271      | Timer0 in 16-Bit Mode                         | 162 |
| ADCON2 Register                              | 271      | Timer0 in 8-Bit Mode                          | 162 |
| ADDFSR                                       | 364      | Timer1  | 166 |
| ADDLW  | 327      | Timer1 (16-Bit Read/Write Mode)               | 166 |
| ADDULNK                                      | 364      | Timer2  | 172 |
| ADDWF  | 327      | Timer3  | 174 |
| ADDWFC                                       | 328      | Timer3 (16-Bit Read/Write Mode)               | 174 |
| ADRESH Register                              | 271      | Timer4  | 178 |
| ADRESL Register                              | 271, 274 | Watchdog Timer                                | 312 |
| Analog-to-Digital Converter. <i>See</i> A/D. |          | BN  | 330 |
| ANDLW  | 328      | BNC   | 331 |
| ANDWF  | 329      | BNN   | 331 |
| Assembler                                    |          | BNOV  | 332 |
| MPASM Assembler                              | 372      | BNZ   | 332 |
| Auto-Wake-up on Sync Break Character         | 262      | BOR. <i>See</i> Brown-out Reset.              |     |
| <b>B</b>                                     |          | BOV   | 335 |
| Bank Select Register (BSR)                   | 72       | BRA   | 333 |
| Baud Rate Generator                          | 232      | Break Character (12-Bit) Transmit and Receive | 263 |
| BC   | 329      | BRG. <i>See</i> Baud Rate Generator.          |     |
| BCF  | 330      | Brown-out Reset (BOR)                         | 52  |
| BF   | 236      | Detecting                                     | 52  |
| BF Status Flag                               | 236      | Disabling in Sleep Mode                       | 52  |
| Block Diagrams                               |          | Software Enabled                              | 52  |
| 16-Bit Byte Select Mode                      | 103      | BSF   | 333 |
| 16-Bit Byte Write Mode                       | 101      | BTFSC   | 334 |
| 16-Bit Word Write Mode                       | 102      | BTFSS   | 334 |
| A/D  | 274      | BTG   | 335 |
|  |          | BZ  | 336 |

# PIC18F8722 FAMILY

|   |       |
|---|-------|
| <b>C</b>  |       |
| C Compilers   |       |
| MPLAB C18 .....   | 372   |
| MPLAB C30 .....   | 372   |
| CALL .....  | 336   |
| CALLW .....   | 365   |
| Capture (CCP Module) .....  | 181   |
| Associated Registers .....  | 183   |
| CCPRxH:CCPRxL Registers .....   | 181   |
| CCPx Pin Configuration .....  | 181   |
| Prescaler .....   | 181   |
| Software Interrupt .....  | 181   |
| Timer1/Timer3 Mode Selection .....  | 181   |
| Capture (ECCP Module) .....   | 192   |
| Capture/Compare/PWM (CCP) .....   | 179   |
| Capture Mode. See Capture.  |       |
| CCP Mode and Timer Resources .....  | 180   |
| CCPRxH Register .....   | 180   |
| CCPRxL Register .....   | 180   |
| Compare Mode. See Compare.  |       |
| Interconnect Configurations .....   | 180   |
| Module Configuration .....  | 180   |
| Clock Sources .....   | 37    |
| Selecting the 31 kHz Source .....   | 38    |
| Selection Using OSCCON Register .....   | 38    |
| CLRF .....  | 337   |
| CLRWDT .....  | 337   |
| Code Examples   |       |
| 16 x 16 Signed Multiply Routine .....   | 118   |
| 16 x 16 Unsigned Multiply Routine .....                                       | 118   |
| 8 x 8 Signed Multiply Routine .....   | 117   |
| 8 x 8 Unsigned Multiply Routine .....   | 117   |
| Changing Between Capture Prescalers .....                                     | 181   |
| Computed GOTO Using an Offset Value .....                                     | 68    |
| Data EEPROM Read .....  | 113   |
| Data EEPROM Refresh Routine .....   | 114   |
| Data EEPROM Write .....   | 113   |
| Erasing a Flash Program Memory Row .....                                      | 92    |
| Fast Register Stack .....   | 68    |
| How to Clear RAM (Bank 1) Using<br>Indirect Addressing .....                  | 81    |
| Implementing a Real-Time Clock<br>Using a Timer1 Interrupt Service .....      | 169   |
| Initializing PORTA .....  | 135   |
| Initializing PORTB .....  | 137   |
| Initializing PORTC .....  | 140   |
| Initializing PORTD .....  | 143   |
| Initializing PORTE .....  | 146   |
| Initializing PORTF .....  | 149   |
| Initializing PORTG .....  | 151   |
| Initializing PORTH .....  | 154   |
| Initializing PORTJ .....  | 156   |
| Loading the SSP1BUF (SSP1SR) Register .....                                   | 208   |
| Reading a Flash Program Memory Word .....                                     | 91    |
| Saving STATUS, WREG and BSR<br>Registers in RAM .....                         | 134   |
| Writing to Flash Program Memory .....   | 94–95 |
| Code Protection .....   | 297   |
| COMF .....  | 338   |
| Comparator .....  | 281   |
| Analog Input Connection Considerations .....                                  | 285   |
| Associated Registers .....  | 285   |
| Configuration .....   | 282   |
| Effects of a Reset .....  | 284   |
| Interrupts .....  | 284   |
| Operation .....   | 283   |
| Operation During Sleep .....  | 284   |
| Outputs .....   | 283   |
| Reference .....   | 283   |
| External Signal .....   | 283   |
| Internal Signal .....   | 283   |
| Response Time .....   | 283   |
| Comparator Specifications .....   | 394   |
| Comparator Voltage Reference .....  | 287   |
| Accuracy and Error .....  | 288   |
| Associated Registers .....  | 289   |
| Configuring .....   | 287   |
| Connection Considerations .....   | 288   |
| Effects of a Reset .....  | 288   |
| Operation During Sleep .....  | 288   |
| Comparator Voltage Reference Specifications .....                             | 394   |
| Compare (CCP Module) .....  | 182   |
| Associated Registers .....  | 183   |
| CCPRx Registers .....   | 182   |
| Pin Configuration .....   | 182   |
| Software Interrupt .....  | 182   |
| Special Event Trigger .....   | 182   |
| Timer1/Timer3 Mode Selection .....  | 182   |
| Compare (CCP Modules)<br>Special Event Trigger .....                          | 175   |
| Compare (ECCP Module) .....   | 192   |
| Special Event Trigger .....   | 192   |
| Compare (ECCP2 Module)<br>Special Event Trigger .....                         | 280   |
| Computed GOTO .....   | 68    |
| Configuration Bits .....  | 297   |
| Configuration Register Protection .....                                       | 320   |
| Context Saving During Interrupts .....  | 134   |
| Conversion Considerations .....   | 426   |
| CPFSEQ .....  | 338   |
| CPFSGT .....  | 339   |
| CPFSLT .....  | 339   |
| Crystal Oscillator/Ceramic Resonator .....                                    | 31    |
| Customer Change Notification Service .....                                    | 439   |
| Customer Notification Service .....   | 439   |
| Customer Support .....  | 439   |
| <b>D</b>  |       |
| Data Addressing Modes .....   | 81    |
| Comparing Addressing Modes with the<br>Extended Instruction Set Enabled ..... | 84    |
| Direct .....  | 81    |
| Indexed Literal Offset .....  | 83    |
| Instructions Affected .....   | 83    |
| Indirect .....  | 81    |
| Inherent and Literal .....  | 81    |
| Data EEPROM   |       |
| Code Protection .....   | 320   |
| Data EEPROM Memory .....  | 111   |
| Associated Registers .....  | 115   |
| EEADR and EEADRH Registers .....  | 111   |
| EECON1 and EECON2 Registers .....   | 111   |
| Operation During Code-Protect .....   | 114   |
| Protection Against Spurious Write .....                                       | 114   |
| Reading .....   | 113   |
| Using .....   | 114   |
| Write Verify .....  | 113   |
| Writing .....   | 113   |



# PIC18F8722 FAMILY

|   |       |   |          |
|---|-------|---|----------|
| Data Memory .....                                 | 72    | Baud Rate Generator (BRG) .....           | 251      |
| Access Bank .....                                 | 74    | Associated Registers .....                | 252      |
| and the Extended Instruction Set .....            | 83    | Auto-Baud Rate Detect .....               | 255      |
| Bank Select Register (BSR) .....                  | 72    | Baud Rate Error, Calculating .....        | 252      |
| General Purpose Registers .....                   | 74    | Baud Rates, Asynchronous Modes .....      | 253      |
| Map for PIC18F8722 Family .....                   | 73    | High Baud Rate Select (BRGH Bit) .....    | 251      |
| Special Function Registers .....                  | 75    | Sampling .....                            | 251      |
| DAW .....   | 340   | Synchronous Master Mode .....             | 264      |
| DC Characteristics .....                          | 391   | Associated Registers, Receive .....       | 267      |
| Power-Down and Supply Current .....               | 379   | Associated Registers, Transmit .....      | 265      |
| Supply Voltage .....                              | 378   | Reception .....                           | 266      |
| DCFSNZ .....                                      | 341   | Transmission .....                        | 264      |
| DECF .....  | 340   | Synchronous Slave Mode .....              | 268      |
| DECFSZ .....                                      | 341   | Associated Registers, Receive .....       | 269      |
| Development Support .....                         | 371   | Associated Registers, Transmit .....      | 268      |
| Device Differences .....                          | 425   | Reception .....                           | 269      |
| Device Overview .....                             | 7     | Transmission .....                        | 268      |
| Details on Individual Family Members .....        | 9     | Extended Instruction Set .....            |          |
| Features (table) .....                            | 9, 10 | ADDFSR .....                              | 364      |
| New Core Features .....                           | 7     | ADDULNK .....                             | 364      |
| Device Reset Timers .....                         | 53    | CALLW .....                               | 365      |
| Oscillator Start-up Timer (OST) .....             | 53    | MOVSF .....                               | 365      |
| PLL Lock Time-out .....                           | 53    | MOVSS .....                               | 366      |
| Power-up Timer (PWRT) .....                       | 53    | PUSHL .....                               | 366      |
| Time-out Sequence .....                           | 53    | SUBFSR .....                              | 367      |
| Direct Addressing .....                           | 82    | SUBULNK .....                             | 367      |
| <b>E</b>  |       | Extended Microcontroller Mode .....       | 100      |
| ECCP  |       | External Clock Input .....                | 32       |
| Capture and Compare Modes .....                   | 192   | External Memory Bus .....                 | 97       |
| Standard PWM Mode .....                           | 192   | 16-Bit Byte Select Mode .....             | 103      |
| Effect on Standard PIC MCU Instructions .....     | 368   | 16-Bit Byte Write Mode .....              | 101      |
| Effects of Power-Managed Modes on Various         |       | 16-Bit Data Width Modes .....             | 100      |
| Clock Sources .....                               | 40    | 16-Bit Mode Timing .....                  | 104      |
| Electrical Characteristics .....                  | 375   | 16-Bit Word Write Mode .....              | 102      |
| Enhanced Capture/Compare/PWM (ECCP) .....         | 187   | 8-Bit Data Width Modes .....              | 106      |
| and Program Memory Modes .....                    | 188   | 8-Bit Mode Timing .....                   | 107      |
| Capture Mode. <i>See</i> Capture (ECCP Module).   |       | I/O Port Functions .....                  | 97       |
| Outputs and Configuration .....                   | 188   | Operation in Power-Managed Modes .....    | 109      |
| Pin Configurations for ECCP1 .....                | 189   | <b>F</b>                                  |          |
| Pin Configurations for ECCP2 .....                | 190   | Fail-Safe Clock Monitor .....             | 297, 315 |
| Pin Configurations for ECCP3 .....                | 191   | Exiting Operation .....                   | 315      |
| PWM Mode. <i>See</i> PWM (ECCP Module).           |       | Interrupts in Power-Managed Modes .....   | 316      |
| Timer Resources .....                             | 192   | POR or Wake from Sleep .....              | 316      |
| Enhanced PWM Mode. <i>See</i> PWM (ECCP Module).  |       | WDT During Oscillator Failure .....       | 315      |
| Enhanced Universal Synchronous Asynchronous       |       | Fast Register Stack .....                 | 68       |
| Receiver Transmitter (EUSART). <i>See</i> EUSART. |       | Firmware Instructions .....               | 321      |
| Equations   |       | Flash Program Memory .....                | 87       |
| A/D Acquisition Time .....                        | 276   | Associated Registers .....                | 95       |
| A/D Minimum Charging Time .....                   | 276   | Control Registers .....                   | 88       |
| A/D, Calculating the Minimum Required             |       | EECON1 and EECON2 .....                   | 88       |
| Acquisition Time .....                            | 276   | TABLAT (Table Latch) Register .....       | 90       |
| TBLPTR (Table Pointer) Register .....             | 90    |   |          |
| Errata .....                                      | 5     | Erase Sequence .....                      | 92       |
| EUSART  |       | Erasing .....                             | 92       |
| Asynchronous Mode .....                           | 257   | Operation During Code-Protect .....       | 95       |
| 12-Bit Break Transmit and Receive .....           | 263   | Reading .....                             | 91       |
| Associated Registers, Receive .....               | 261   | Table Pointer                             |          |
| Associated Registers, Transmit .....              | 259   | Boundaries Based on Operation .....       | 90       |
| Auto-Wake-up on Sync Break .....                  | 262   | Table Pointer Boundaries .....            | 90       |
| Receiver .....                                    | 260   | Table Reads and Table Writes .....        | 87       |
| Setting up 9-Bit Mode with                        |       | Write Sequence .....                      | 93       |
| Address Detect .....                              | 260   | Writing To .....                          | 93       |
| Transmitter .....                                 | 257   | Protection Against Spurious Writes .....  | 95       |
| Baud Rate Generator                               |       | Unexpected Termination .....              | 95       |
| Operation in Power-Managed Modes .....            | 251   | Write Verify .....                        | 95       |
|   |       | FSCM. <i>See</i> Fail-Safe Clock Monitor. |          |

# PIC18F8722 FAMILY

## G

|                                    |     |
|------------------------------------|-----|
| General Call Address Support ..... | 229 |
| GOTO .....                         | 342 |

## H

|   |     |
|---|-----|
| Hardware Multiplier .....               | 117 |
| Introduction .....                      | 117 |
| Operation .....                         | 117 |
| Performance Comparison .....            | 117 |
| High/Low-Voltage Detect .....           | 291 |
| Applications .....                      | 294 |
| Associated Registers .....              | 295 |
| Characteristics .....                   | 395 |
| Current Consumption .....               | 293 |
| Effects of a Reset .....                | 295 |
| Operation .....                         | 292 |
| During Sleep .....                      | 295 |
| Setup .....                             | 293 |
| Start-up Time .....                     | 293 |
| Typical Application .....               | 294 |
| HLVD. See High/Low-Voltage Detect. .... | 291 |

## I

|  |          |
|--|----------|
| I/O Ports .....  | 135      |
| I <sup>2</sup> C Mode (MSSP)                                       |          |
| Acknowledge Sequence Timing .....                                  | 239      |
| Associated Registers .....   | 245      |
| Baud Rate Generator .....  | 232      |
| Bus Collision  |          |
| During a Repeated Start Condition .....                            | 243      |
| During a Stop Condition .....                                      | 244      |
| Clock Arbitration .....  | 233      |
| Clock Stretching .....   | 225      |
| 10-Bit Slave Receive Mode (SEN = 1) .....                          | 225      |
| 10-Bit Slave Transmit Mode .....                                   | 225      |
| 7-Bit Slave Receive Mode (SEN = 1) .....                           | 225      |
| 7-Bit Slave Transmit Mode .....                                    | 225      |
| Clock Synchronization and the CKP bit .....                        | 226      |
| Effects of a Reset .....   | 240      |
| General Call Address Support .....                                 | 229      |
| I <sup>2</sup> C Clock Rate w/BRG .....                            | 232      |
| Master Mode .....  | 230      |
| Operation .....  | 231      |
| Reception .....  | 236      |
| Repeated Start Condition Timing .....                              | 235      |
| Start Condition Timing .....                                       | 234      |
| Transmission .....   | 236      |
| Multi-Master Communication, Bus Collision<br>and Arbitration ..... | 240      |
| Multi-Master Mode .....  | 240      |
| Operation .....  | 219      |
| Read/Write Bit Information (R/W Bit) .....                         | 219, 220 |
| Registers .....  | 215      |
| Serial Clock (RC3/SCKx/SCLx) .....                                 | 220      |
| Slave Mode .....   | 219      |
| Addressing .....   | 219      |
| Reception .....  | 220      |
| Transmission .....   | 220      |
| Sleep Operation .....  | 240      |
| Stop Condition Timing .....  | 239      |
| ID Locations .....   | 297, 320 |
| INCF .....   | 342      |
| INCFSZ .....   | 343      |
| In-Circuit Debugger .....  | 320      |
| In-Circuit Serial Programming (ICSP) .....                         | 297, 320 |

|  |       |
|--|-------|
| Indexed Literal Offset Addressing<br>and Standard PIC18 Instructions ..... | 368   |
| Indexed Literal Offset Mode .....  | 368   |
| Indirect Addressing .....  | 82    |
| INFSNZ .....   | 343   |
| Initialization Conditions for all Registers .....                          | 57–61 |
| Instruction Cycle .....  | 69    |
| Clocking Scheme .....  | 69    |
| Instruction Flow/Pipelining .....  | 69    |
| Instruction Set .....  | 321   |
| ADDLW .....  | 327   |
| ADDWF .....  | 327   |
| ADDWF (Indexed Literal Offset Mode) .....                                  | 369   |
| ADDWFC .....   | 328   |
| ANDLW .....  | 328   |
| ANDWF .....  | 329   |
| BC .....   | 329   |
| BCF .....  | 330   |
| BN .....   | 330   |
| BNC .....  | 331   |
| BNN .....  | 331   |
| BNOV .....   | 332   |
| BNZ .....  | 332   |
| BOV .....  | 335   |
| BRA .....  | 333   |
| BSF .....  | 333   |
| BSF (Indexed Literal Offset Mode) .....                                    | 369   |
| BTFSC .....  | 334   |
| BTFSS .....  | 334   |
| BTG .....  | 335   |
| BZ .....   | 336   |
| CALL .....   | 336   |
| CLRF .....   | 337   |
| CLRWDT .....   | 337   |
| COMF .....   | 338   |
| CPFSEQ .....   | 338   |
| CPFSGT .....   | 339   |
| CPFSLT .....   | 339   |
| DAW .....  | 340   |
| DCFSNZ .....   | 341   |
| DECF .....   | 340   |
| DECFSZ .....   | 341   |
| Extended Instructions .....  | 363   |
| Considerations when Enabling .....   | 368   |
| Syntax .....   | 363   |
| Use with MPLAB IDE Tools .....   | 370   |
| General Format .....   | 323   |
| GOTO .....   | 342   |
| INCF .....   | 342   |
| INCFSZ .....   | 343   |
| INFSNZ .....   | 343   |
| IORLW .....  | 344   |
| IORWF .....  | 344   |
| LFSR .....   | 345   |
| MOVF .....   | 345   |
| MOVFF .....  | 346   |
| MOVLB .....  | 346   |
| MOVLW .....  | 347   |
| MOVWF .....  | 347   |
| MULLW .....  | 348   |
| MULWF .....  | 348   |
| NEGF .....   | 349   |
| NOP .....  | 349   |
| POP .....  | 350   |
| PUSH .....   | 350   |

# PIC18F8722 FAMILY

|   |          |   |          |
|---|----------|---|----------|
| RCALL .....                                     | 351      | <b>L</b>  |          |
| RESET .....                                     | 351      | LFSR .....  | 345      |
| RETFIE .....                                    | 352      | Low-Voltage ICSP Programming. See Single-Supply<br>ICSP Programming |          |
| RETLW .....                                     | 352      | <b>M</b>  |          |
| RETURN .....                                    | 353      | Master Clear ( $\overline{\text{MCLR}}$ ) .....                     | 51       |
| RLCF .....                                      | 353      | Master Synchronous Serial Port (MSSP). See MSSP.<br>Memory          |          |
| RLNCF .....                                     | 354      | Mode Memory Access .....  | 64       |
| RRCF .....                                      | 354      | Memory Maps for PIC18F8722 Family                                   |          |
| RRNCF .....                                     | 355      | Program Memory Modes .....  | 65       |
| SETF .....                                      | 355      | Memory Organization .....   | 63       |
| SETF (Indexed Literal Offset Mode) .....        | 369      | Data Memory .....   | 72       |
| SLEEP .....                                     | 356      | Program Memory .....  | 63       |
| Standard Instructions .....                     | 321      | Modes .....   | 63       |
| SUBFWB .....                                    | 356      | Memory Programming Requirements .....                               | 393      |
| SUBLW .....                                     | 357      | Microchip Internet Web Site .....                                   | 439      |
| SUBWF .....                                     | 357      | Microcontroller Mode .....  | 100      |
| SUBWFB .....                                    | 358      | Microprocessor Mode .....   | 100      |
| SWAPF .....                                     | 358      | Microprocessor with Boot Block Mode .....                           | 100      |
| TBLRD .....                                     | 359      | Migration from Baseline to Enhanced Devices .....                   | 426      |
| TBLWT .....                                     | 360      | Migration from High-End to Enhanced Devices .....                   | 427      |
| TSTFSZ .....                                    | 361      | Migration from Mid-Range to Enhanced Devices .....                  | 427      |
| XORLW .....                                     | 361      | MOVF .....  | 345      |
| XORWF .....                                     | 362      | MOVFF .....   | 346      |
| INTCON Register                                 |          | MOVLB .....   | 346      |
| RBIF Bit .....                                  | 137      | MOVLW .....   | 347      |
| INTCON Registers .....                          | 121      | MOVSF .....   | 365      |
| Inter-Integrated Circuit. See I <sup>2</sup> C. |          | MOVSS .....   | 366      |
| Internal Oscillator Block .....                 | 34       | MOVWF .....   | 347      |
| Adjustment .....                                | 34       | MPLAB ASM30 Assembler, Linker, Librarian .....                      | 372      |
| INTIO Modes .....                               | 34       | MPLAB ICD 2 In-Circuit Debugger .....                               | 373      |
| INTOSC Frequency Drift .....                    | 35       | MPLAB ICE 2000 High-Performance                                     |          |
| INTOSC Output Frequency .....                   | 34       | Universal In-Circuit Emulator .....                                 | 373      |
| OSCTUNE Register .....                          | 34       | MPLAB Integrated Development  |          |
| PLL in INTOSC Modes .....                       | 35       | Environment Software .....  | 371      |
| Internal RC Oscillator                          |          | MPLAB PM3 Device Programmer .....                                   | 373      |
| Use with WDT .....                              | 312      | MPLAB REAL ICE In-Circuit Emulator System .....                     | 373      |
| Internet Address .....                          | 439      | MPLINK Object Linker/MPLIB Object Librarian .....                   | 372      |
| Interrupt Sources .....                         | 297      | MSSP  |          |
| A/D Conversion Complete .....                   | 275      | $\overline{\text{ACK}}$ Pulse .....                                 | 219, 220 |
| Capture Complete (CCP) .....                    | 181      | Control Registers (general) .....                                   | 205      |
| Compare Complete (CCP) .....                    | 182      | I <sup>2</sup> C Mode. See I <sup>2</sup> C Mode.                   |          |
| Interrupt-on-Change (RB7:RB4) .....             | 137      | Module Overview .....   | 205      |
| INTx Pin .....                                  | 134      | SPI Master/Slave Connection .....                                   | 209      |
| PORTB, Interrupt-on-Change .....                | 134      | TMR4 Output for Clock Shift .....                                   | 178      |
| TMR0 .....                                      | 134      | MULLW .....   | 348      |
| TMR0 Overflow .....                             | 163      | MULWF .....   | 348      |
| TMR1 Overflow .....                             | 165      | <b>N</b>  |          |
| TMR2 to PR2 Match (PWM) .....                   | 184, 192 | NEGf .....  | 349      |
| TMR3 Overflow .....                             | 173, 175 | NOP .....   | 349      |
| TMR4 to PR4 Match .....                         | 178      | <b>O</b>  |          |
| TMR4 to PR4 Match (PWM) .....                   | 177      | Opcode Field Descriptions .....                                     | 322      |
| Interrupts .....                                | 119      | Oscillator Configuration .....                                      | 31       |
| Interrupts, Flag Bits                           |          | EC .....  | 31       |
| Interrupt-on-Change (RB7:RB4) Flag              |          | ECIO .....  | 31       |
| (RBIF Bit) .....                                | 137      | HS .....  | 31       |
| INTOSC, INTRC. See Internal Oscillator Block.   |          | HSPLL .....   | 31       |
| IORLW .....                                     | 344      | Internal Oscillator Block .....                                     | 34       |
| IORWF .....                                     | 344      | INTIO1 .....  | 31       |
| IPR Registers .....                             | 130      | INTIO2 .....  | 31       |
| <b>K</b>  |          | LP .....  | 31       |
| Key Features                                    |          |   |          |
| Easy Migration .....                            | 8        |   |          |
| Expanded Memory .....                           | 7        |   |          |
| External Memory Interface .....                 | 8        |   |          |

# PIC18F8722 FAMILY

|  |          |                                 |        |
|--|----------|---------------------------------|--------|
| RC .....                                   | 31       | RD7/AD7/PSP7/SS2 .....          | 25     |
| RCIO .....                                 | 31       | RD7/PSP7/SS2 .....              | 17     |
| XT .....                                   | 31       | RE0/AD8/RD/P2D .....            | 26     |
| Oscillator Selection .....                 | 297      | RE0/RD/P2D .....                | 18     |
| Oscillator Start-up Timer (OST) .....      | 40, 53   | RE1/AD9/WR/P2C .....            | 26     |
| Oscillator Switching .....                 | 37       | RE1/WR/P2C .....                | 18     |
| Oscillator Transitions .....               | 38       | RE2/AD10/CS/P2B .....           | 26     |
| Oscillator, Timer1 .....                   | 165, 175 | RE2/CS/P2D .....                | 18     |
| Oscillator, Timer3 .....                   | 173      | RE3/AD11/P3C .....              | 26     |
| <b>P</b>                                   |          | RE3/P3C .....                   | 18     |
| Packaging .....                            | 419      | RE4/AD12/P3B .....              | 26     |
| Details .....                              | 420      | RE4/P3B .....                   | 18     |
| Marking .....                              | 419      | RE5/AD13/P1C .....              | 26     |
| Parallel Slave Port (PSP) .....            | 158      | RE5/P1C .....                   | 18     |
| Associated Registers .....                 | 160      | RE6/AD14/P1B .....              | 26     |
| RE0/RD Pin .....                           | 158      | RE6/P1B .....                   | 18     |
| RE1/WR Pin .....                           | 158      | RE7/AD15/ECCP2/P2A .....        | 26     |
| RE2/CS Pin .....                           | 158      | RE7/ECCP2/P2A .....             | 18     |
| Select (PSPMODE Bit) .....                 | 158      | RF0/AN5 .....                   | 19, 27 |
| PICSTART Plus Development Programmer ..... | 374      | RF1/AN6/C2OUT .....             | 19, 27 |
| PIE Registers .....                        | 127      | RF2/AN7/C1OUT .....             | 19, 27 |
| Pin Functions                              |          | RF3/AN8 .....                   | 19, 27 |
| AVDD .....                                 | 20       | RF4/AN9 .....                   | 19, 27 |
| AVDD .....                                 | 30       | RF5/AN10/CVREF .....            | 19, 27 |
| AVss .....                                 | 20       | RF6/AN11 .....                  | 19, 27 |
| AVss .....                                 | 30       | RF7/SS1 .....                   | 19, 27 |
| OSC1/CLKI/RA7 .....                        | 13, 21   | RG0/ECCP3/P3A .....             | 20, 28 |
| OSC2/CLKO/RA6 .....                        | 13, 21   | RG1/TX2/CK2 .....               | 20, 28 |
| RA0/AN0 .....                              | 14, 22   | RG2/RX2/DT2 .....               | 20, 28 |
| RA1/AN1 .....                              | 14, 22   | RG3/CCP4/P3D .....              | 20, 28 |
| RA2/AN2/VREF- .....                        | 14, 22   | RG4/CCP5/P1D .....              | 20, 28 |
| RA3/AN3/VREF+ .....                        | 14, 22   | RG5 .....                       | 20, 28 |
| RA4/T0CKI .....                            | 14, 22   | RG5/MCLR/VPP .....              | 13, 21 |
| RA5/AN4/HLVDIN .....                       | 14, 22   | RH0/A16 .....                   | 29     |
| RB0/INT0/FLT0 .....                        | 15, 23   | RH1/A17 .....                   | 29     |
| RB1/INT1 .....                             | 15, 23   | RH2/A18 .....                   | 29     |
| RB2/INT2 .....                             | 15, 23   | RH3/A19 .....                   | 29     |
| RB3/INT3 .....                             | 15       | RH4/AN12/P3C .....              | 29     |
| RB3/INT3/ECCP2/P2A .....                   | 23       | RH5/AN13/P3B .....              | 29     |
| RB4/KBI0 .....                             | 15, 23   | RH6/AN14/P1C .....              | 29     |
| RB5/KBI1/PGM .....                         | 15, 23   | RH7/AN15/P1B .....              | 29     |
| RB6/KBI2/PGC .....                         | 15, 23   | RJ0/ALE .....                   | 30     |
| RB7/KBI3/PGD .....                         | 15, 23   | RJ1/OE .....                    | 30     |
| RC0/T1OSO/T13CKI .....                     | 16, 24   | RJ2/WRL .....                   | 30     |
| RC1/T1OSI/ECCP2/P2A .....                  | 16, 24   | RJ3/WRH .....                   | 30     |
| RC2/ECCP1/P1A .....                        | 16, 24   | RJ4/BA0 .....                   | 30     |
| RC3/SCK1/SCL1 .....                        | 16, 24   | RJ5/CE .....                    | 30     |
| RC4/SDI1/SDA1 .....                        | 16, 24   | RJ6/LB .....                    | 30     |
| RC5/SDO1 .....                             | 16, 24   | RJ7/UB .....                    | 30     |
| RC6/TX1/CK1 .....                          | 16, 24   | VDD .....                       | 20     |
| RC7/RX1/DT1 .....                          | 16, 24   | VDD .....                       | 30     |
| RD0/AD0/PSP0 .....                         | 25       | Vss .....                       | 20     |
| RD0/PSP0 .....                             | 17       | Vss .....                       | 30     |
| RD1/AD1/PSP1 .....                         | 25       | Pinout I/O Descriptions         |        |
| RD1/PSP1 .....                             | 17       | PIC18F6527/6622/6627/6722 ..... | 13     |
| RD2/AD2/PSP2 .....                         | 25       | PIC18F8527/8622/8627/8722 ..... | 21     |
| RD2/PSP2 .....                             | 17       | PIR Registers .....             | 124    |
| RD3/AD3/PSP3 .....                         | 25       | PLL Frequency Multiplier .....  | 33     |
| RD3/PSP3 .....                             | 17       | HSPLL Oscillator Mode .....     | 33     |
| RD4/AD4/PSP4/SDO2 .....                    | 25       | Use with INTOSC .....           | 33     |
| RD4/PSP4/SDO2 .....                        | 17       | POP .....                       | 350    |
| RD5/AD5/PSP5/SDI2/SDA2 .....               | 25       | POR. See Power-on Reset.        |        |
| RD5/PSP5/SDI2/SDA2 .....                   | 17       |                                 |        |
| RD6/AD6/PSP6/SCK2/SCL2 .....               | 25       |                                 |        |
| RD6/PSP6/SCK2/SCL2 .....                   | 17       |                                 |        |

# PIC18F8722 FAMILY

|  |     |  |  |
|--|-----|--|--|
| PORTA  |     |  |  |
| Associated Registers .....   | 136 |  |  |
| Functions .....  | 136 |  |  |
| LATA Register .....  | 135 |  |  |
| PORTA Register .....   | 135 |  |  |
| TRISA Register .....   | 135 |  |  |
| PORTB  |     |  |  |
| Associated Registers .....   | 139 |  |  |
| Functions .....  | 138 |  |  |
| LATB Register .....  | 137 |  |  |
| PORTB Register .....   | 137 |  |  |
| RB7:RB4 Interrupt-on-Change Flag<br>(RBIF Bit) .....                   | 137 |  |  |
| TRISB Register .....   | 137 |  |  |
| PORTC  |     |  |  |
| Associated Registers .....   | 142 |  |  |
| Functions .....  | 141 |  |  |
| LATC Register .....  | 140 |  |  |
| PORTC Register .....   | 140 |  |  |
| RC3/SCKx/SCLx Pin .....  | 220 |  |  |
| TRISC Register .....   | 140 |  |  |
| PORTD  |     |  |  |
| Associated Registers .....   | 145 |  |  |
| Functions .....  | 144 |  |  |
| LATD Register .....  | 143 |  |  |
| PORTD Register .....   | 143 |  |  |
| TRISD Register .....   | 143 |  |  |
| PORTE  |     |  |  |
| Analog Port Pins .....   | 158 |  |  |
| Associated Registers .....   | 148 |  |  |
| Functions .....  | 147 |  |  |
| LATE Register .....  | 146 |  |  |
| PORTE Register .....   | 146 |  |  |
| PSP Mode Select (PSPMODE Bit) .....                                    | 158 |  |  |
| RE0/RD Pin .....   | 158 |  |  |
| RE1/WR Pin .....   | 158 |  |  |
| RE2/CS Pin .....   | 158 |  |  |
| TRISE Register .....   | 146 |  |  |
| PORTF  |     |  |  |
| Associated Registers .....   | 150 |  |  |
| Functions .....  | 150 |  |  |
| LATF Register .....  | 149 |  |  |
| PORTF Register .....   | 149 |  |  |
| TRISF Register .....   | 149 |  |  |
| PORTG  |     |  |  |
| Associated Registers .....   | 153 |  |  |
| Functions .....  | 152 |  |  |
| LATG Register .....  | 151 |  |  |
| PORTG Register .....   | 151 |  |  |
| TRISG Register .....   | 151 |  |  |
| PORTH  |     |  |  |
| Associated Registers .....   | 155 |  |  |
| Functions .....  | 155 |  |  |
| LATH Register .....  | 154 |  |  |
| PORTH Register .....   | 154 |  |  |
| TRISH Register .....   | 154 |  |  |
| PORTJ  |     |  |  |
| Associated Registers .....   | 157 |  |  |
| Functions .....  | 157 |  |  |
| LATJ Register .....  | 156 |  |  |
| PORTJ Register .....   | 156 |  |  |
| TRISJ Register .....   | 156 |  |  |
| Power-Managed Modes .....  | 41  |  |  |
| and A/D Operation .....  | 278 |  |  |
| and EUSART Operation .....   | 251 |  |  |
| and Multiple Sleep Commands .....                                      | 42  |  |  |
| and PWM Operation .....  | 203 |  |  |
| and SPI Operation .....  | 213 |  |  |
| Associated Registers .....   | 109 |  |  |
| Clock Transitions and Status Indicators .....                          | 42  |  |  |
| Effects on Clock Sources .....   | 40  |  |  |
| Entering .....   | 41  |  |  |
| Exiting Idle and Sleep Modes .....                                     | 47  |  |  |
| by Interrupt .....   | 47  |  |  |
| by Reset .....   | 47  |  |  |
| by WDT Time-out .....  | 47  |  |  |
| Without a Start-up Delay .....   | 48  |  |  |
| Idle Modes .....   | 45  |  |  |
| PRI_IDLE .....   | 46  |  |  |
| RC_IDLE .....  | 47  |  |  |
| SEC_IDLE .....   | 46  |  |  |
| Run Modes .....  | 42  |  |  |
| PRI_RUN .....  | 42  |  |  |
| RC_RUN .....   | 43  |  |  |
| SEC_RUN .....  | 42  |  |  |
| Selecting .....  | 41  |  |  |
| Sleep Mode .....   | 45  |  |  |
| Summary (table) .....  | 41  |  |  |
| Power-on Reset (POR) .....   | 51  |  |  |
| Power-up Timer (PWRT) .....  | 53  |  |  |
| Time-out Sequence .....  | 53  |  |  |
| Power-up Delays .....  | 40  |  |  |
| Power-up Timer (PWRT) .....  | 40  |  |  |
| Prescaler  |     |  |  |
| Timer2 .....   | 193 |  |  |
| Prescaler, Timer0 .....  | 163 |  |  |
| Prescaler, Timer2 .....  | 185 |  |  |
| PRI_IDLE Mode .....  | 46  |  |  |
| PRI_RUN Mode .....   | 42  |  |  |
| Program Counter .....  | 66  |  |  |
| PCL, PCH and PCU Registers .....                                       | 66  |  |  |
| PCLATH and PCLATU Registers .....                                      | 66  |  |  |
| Program Memory   |     |  |  |
| and Extended Instruction Set .....                                     | 85  |  |  |
| Code Protection .....  | 318 |  |  |
| Extended Microcontroller Mode .....                                    | 63  |  |  |
| Instructions .....   | 70  |  |  |
| Two-Word .....   | 71  |  |  |
| Interrupt Vector .....   | 63  |  |  |
| Look-up Tables .....   | 68  |  |  |
| Map and Stack (diagram) .....  | 64  |  |  |
| Microcontroller Mode .....   | 63  |  |  |
| Microprocessor Mode .....  | 63  |  |  |
| Microprocessor with Boot Block Mode .....                              | 63  |  |  |
| Reset Vector .....   | 63  |  |  |
| Program Verification and Code Protection .....                         | 317 |  |  |
| Associated Registers .....   | 318 |  |  |
| Programming, Device Instructions .....                                 | 321 |  |  |
| PSP. See Parallel Slave Port.  |     |  |  |
| Pulse-Width Modulation. See PWM (CCP Module)<br>and PWM (ECCP Module). |     |  |  |
| PUSH .....   | 350 |  |  |
| PUSH and POP Instructions .....  | 67  |  |  |
| PUSHL .....  | 366 |  |  |

# PIC18F8722 FAMILY

|   |          |   |         |
|---|----------|---|---------|
| PWM (CCP Module)                            |          |   |         |
| Associated Registers                        | 186      | DEVID2 (Device ID 2)                              | 311     |
| Duty Cycle                                  | 184      | ECCPxDEL (Enhanced PWM                            |         |
| Example Frequencies/Resolutions             | 185      | Dead-Band Delay)                                  | 200     |
| Period                                      | 184      | EECON1 (Data EEPROM Control 1)                    | 112     |
| Setup for PWM Operation                     | 185      | EECON1 (EEPROM Control 1)                         | 89      |
| TMR2 to PR2 Match                           | 184      | HLVDCON (High/Low-Voltage Detect Control)         | 291     |
| TMR4 to PR4 Match                           | 177      | INTCON (Interrupt Control)                        | 121     |
| PWM (ECCP Module)                           | 192      | INTCON2 (Interrupt Control 2)                     | 122     |
| Associated Registers                        | 204      | INTCON3 (Interrupt Control 3)                     | 123     |
| CCPR1H:CCPR1L Registers                     | 192      | IPR1 (Peripheral Interrupt Priority 1)            | 130     |
| Direction Change in Full-Bridge Output Mode | 198      | IPR2 (Peripheral Interrupt Priority 2)            | 131     |
| Duty Cycle                                  | 193      | MEMCON (External Memory Bus Control)              | 98      |
| Effects of a Reset                          | 203      | OSCCON (Oscillator Control)                       | 39      |
| Enhanced PWM Auto-Shutdown                  | 200      | OSCTUNE (Oscillator Tuning)                       | 35      |
| Example Frequencies/Resolutions             | 193      | PIR1 (Peripheral Interrupt Request (Flag) 1)      | 124     |
| Full-Bridge Application Example             | 198      | PIR2 (Peripheral Interrupt Request (Flag) 2)      | 125     |
| Full-Bridge Mode                            | 197      | PSPCON (Parallel Slave Port Control)              | 159     |
| Half-Bridge Mode                            | 196      | RCON (Reset Control)                              | 50, 133 |
| Half-Bridge Output Mode                     |          | RCSTAx (Receive Status and Control)               | 249     |
| Applications Example                        | 196      | SSPxCON1 (MSSPx Control 1, I <sup>2</sup> C Mode) | 217     |
| Operation in Power-Managed Modes            | 203      | SSPxCON1 (MSSPx Control 1, SPI Mode)              | 207     |
| Operation with Fail-Safe Clock Monitor      | 203      | SSPxCON2 (MSSPx Control 2, I <sup>2</sup> C Mode) | 219     |
| Output Configurations                       | 194      | SSPxSTAT (MSSPx Status, I <sup>2</sup> C Mode)    | 216     |
| Output Relationships (Active-High)          | 194      | SSPxSTAT (MSSPx Status, SPI Mode)                 | 206     |
| Output Relationships (Active-Low)           | 195      | STATUS (Arithmetic Status)                        | 80      |
| Period                                      | 192      | STKPTR (Stack Pointer)                            | 67      |
| Programmable Dead-Band Delay                | 200      | T0CON (Timer0 Control)                            | 161     |
| Setup for PWM Operation                     | 203      | T1CON (Timer1 Control)                            | 165     |
| Start-up Considerations                     | 202      | T2CON (Timer2 Control)                            | 171     |
| TMR2 to PR2 Match                           | 192      | T3CON (Timer3 Control)                            | 173     |
|   |          | T4CON (Timer 4 Control)                           | 177     |
|   |          | TXSTAx (Transmit Status and Control)              | 248     |
|   |          | WDTCON (Watchdog Timer Control)                   | 313     |
| <b>Q</b>                                    |          | RESET   | 351     |
| Q Clock                                     | 185, 193 | Reset State of Registers                          | 56      |
|   |          | Resets  | 49, 297 |
| <b>R</b>                                    |          | Brown-out Reset (BOR)                             | 297     |
| RAM. See Data Memory.                       |          | Oscillator Start-up Timer (OST)                   | 297     |
| RC Oscillator                               | 33       | Power-on Reset (POR)                              | 297     |
| RCIO Oscillator Mode                        | 33       | Power-up Timer (PWRT)                             | 297     |
| RC_IDLE Mode                                | 47       | RETFIE  | 352     |
| RC_RUN Mode                                 | 43       | RETLW   | 352     |
| RCALL                                       | 351      | RETURN  | 353     |
| RCON Register                               |          | Return Address Stack                              | 66      |
| Bit Status During Initialization            | 56       | Return Stack Pointer (STKPTR)                     | 67      |
| Reader Response                             | 440      | Revision History                                  | 425     |
| Register File                               | 74       | RLCF  | 353     |
| Registers                                   |          | RLNCF   | 354     |
| ADCON0 (A/D Control 0)                      | 271      | RRCF  | 354     |
| ADCON1 (A/D Control 1)                      | 272      | RRNCF   | 355     |
| ADCON2 (A/D Control 2)                      | 273      |   |         |
| BAUDCONx (Baud Rate Control)                | 250      | <b>S</b>  |         |
| CCPxCON (CCPx Control, CCP4 and CCP5)       | 179      | SCKx  | 205     |
| CMCON (Comparator Control)                  | 281      | SDIx  | 205     |
| CONFIG1H (Configuration 1 High)             | 299      | SDOx  | 205     |
| CONFIG2H (Configuration 2 High)             | 301      | SEC_IDLE Mode                                     | 46      |
| CONFIG2L (Configuration 2 Low)              | 300      | SEC_RUN Mode                                      | 42      |
| CONFIG3H (Configuration 3 High)             | 303      | Serial Clock, SCKx                                | 205     |
| CONFIG3L (Configuration 3 Low)              | 302      | Serial Data In (SDIx)                             | 205     |
| CONFIG4L (Configuration 4 Low)              | 304      | Serial Data Out (SDOx)                            | 205     |
| CONFIG5H (Configuration 5 High)             | 306      | Serial Peripheral Interface. See SPI Mode.        |         |
| CONFIG5L (Configuration 5 Low)              | 305      | SETF  | 355     |
| CONFIG6H (Configuration 6 High)             | 308      | Single-Supply ICSP Programming.                   |         |
| CONFIG6L (Configuration 6 Low)              | 307      | Slave Select (SSx)                                | 205     |
| CONFIG7H (Configuration 7 High)             | 310      | Slave Select Synchronization                      | 211     |
| CONFIG7L (Configuration 7 Low)              | 309      | SLEEP   | 356     |
| DEVID1 (Device ID 1)                        | 311      |   |         |

# PIC18F8722 FAMILY

|   |          |  |          |
|---|----------|--|----------|
| Sleep   |          | Timer1                                     | 165      |
| OSC1 and OSC2 Pin States                          | 40       | 16-Bit Read/Write Mode                     | 167      |
| Sleep Mode  | 45       | Associated Registers                       | 169      |
| Software Simulator (MPLAB SIM)                    | 372      | Interrupt                                  | 168      |
| Special Event Trigger. See Compare (CCP Mode).    |          | Operation                                  | 166      |
| Special Event Trigger. See Compare (ECCP Module). |          | Oscillator                                 | 165, 167 |
| Special Features of the CPU                       | 297      | Layout Considerations                      | 168      |
| Special Function Registers                        | 75       | Overflow Interrupt                         | 165      |
| Map   | 75       | Resetting, Using the CCP                   |          |
| SPI Mode (MSSP)                                   | 205      | Special Event Trigger                      | 168      |
| Associated Registers                              | 214      | Special Event Trigger (ECCP)               | 192      |
| Bus Mode Compatibility                            | 213      | TMR1H Register                             | 165      |
| Clock Speed, Interactions                         | 213      | TMR1L Register                             | 165      |
| Effects of a Reset                                | 213      | Use as a Real-Time Clock                   | 168      |
| Enabling SPI I/O                                  | 209      | Timer2                                     | 171      |
| Master Mode                                       | 210      | Associated Registers                       | 172      |
| Master/Slave Connection                           | 209      | Interrupt                                  | 172      |
| Operation   | 208      | Operation                                  | 171      |
| Operation in Power-Managed Modes                  | 213      | Output                                     | 172      |
| Serial Clock                                      | 205      | PR2 Register                               | 184, 192 |
| Serial Data In                                    | 205      | TMR2 to PR2 Match Interrupt                | 184, 192 |
| Serial Data Out                                   | 205      | Timer3                                     | 173      |
| Slave Mode  | 211      | 16-Bit Read/Write Mode                     | 175      |
| Slave Select                                      | 205      | Associated Registers                       | 175      |
| Slave Select Synchronization                      | 211      | Operation                                  | 174      |
| SPI Clock   | 210      | Oscillator                                 | 173, 175 |
| SSPxBUF Register                                  | 210      | Overflow Interrupt                         | 173, 175 |
| SSPxSR Register                                   | 210      | Special Event Trigger (CCP)                | 175      |
| Typical Connection                                | 209      | TMR3H Register                             | 173      |
| SSPOV   | 236      | TMR3L Register                             | 173      |
| SSPOV Status Flag                                 | 236      | Timer4                                     | 177      |
| SSPxSTAT Register                                 |          | Associated Registers                       | 178      |
| R/W Bit   | 219, 220 | MSP Clock Shift                            | 178      |
| SSx   | 205      | Operation                                  | 177      |
| Stack Full/Underflow Resets                       | 68       | Postscaler. See Postscaler, Timer4.        |          |
| SUBFSR  | 367      | PR4 Register                               | 177      |
| SUBFWB  | 356      | Prescaler. See Prescaler, Timer4.          |          |
| SUBLW   | 357      | TMR4 Register                              | 177      |
| SUBLNK  | 367      | TMR4 to PR4 Match Interrupt                | 177, 178 |
| SUBWF   | 357      | Timing Diagrams                            |          |
| SUBWFB  | 358      | A/D Conversion                             | 416      |
| SWAPF   | 358      | Asynchronous Reception                     | 261      |
| <b>T</b>  |          | Asynchronous Transmission                  | 258      |
| Table Pointer Operations (table)                  | 90       | Asynchronous Transmission (Back to Back)   | 258      |
| Table Reads/Table Writes                          | 69       | Automatic Baud Rate Calculation            | 256      |
| TBLRD   | 359      | Auto-Wake-up Bit (WUE) During              |          |
| TBLWT   | 360      | Normal Operation                           | 262      |
| Time-out in Various Situations (table)            | 53       | Auto-Wake-up Bit (WUE) During Sleep        | 262      |
| Timer0  | 161      | Baud Rate Generator with Clock Arbitration | 233      |
| Associated Registers                              | 163      | BRG Overflow Sequence                      | 256      |
| Operation   | 162      | BRG Reset Due to SDAX Arbitration          |          |
| Overflow Interrupt                                | 163      | During Start Condition                     | 242      |
| Prescaler   | 163      | Brown-out Reset (BOR)                      | 403      |
| Prescaler Assignment (PSA Bit)                    | 163      | Bus Collision During a Repeated Start      |          |
| Prescaler Select (T0PS2:T0PS0 Bits)               | 163      | Condition (Case 1)                         | 243      |
| Prescaler. See Prescaler, Timer0.                 |          | Bus Collision During a Repeated Start      |          |
| Reads and Writes in 16-Bit Mode                   | 162      | Condition (Case 2)                         | 243      |
| Source Edge Select (T0SE Bit)                     | 162      | Bus Collision During a Start               |          |
| Source Select (T0CS Bit)                          | 162      | Condition (SCLx = 0)                       | 242      |
| Switching Prescaler Assignment                    | 163      | Bus Collision During a Stop                |          |
|   |          | Condition (Case 1)                         | 244      |
|   |          | Bus Collision During a Stop                |          |
|   |          | Condition (Case 2)                         | 244      |

# PIC18F8722 FAMILY

|  |          |  |
|--|----------|--|
| Bus Collision During Start   |          |  |
| Condition (SDAx Only) .....  | 241      |  |
| Bus Collision for Transmit and Acknowledge .....   | 240      |  |
| Capture/Compare/PWM (All ECCP/CCP Modules) .....   | 405      |  |
| CLKO and I/O .....   | 400      |  |
| Clock Synchronization .....  | 226      |  |
| Clock/Instruction Cycle .....  | 69       |  |
| EUSART Synchronous Receive (Master/Slave) .....  | 415      |  |
| EUSART Synchronous Transmission (Master/Slave) .....   | 415      |  |
| Example SPI Master Mode (CKE = 0) .....  | 407      |  |
| Example SPI Master Mode (CKE = 1) .....  | 408      |  |
| Example SPI Slave Mode (CKE = 0) .....   | 409      |  |
| Example SPI Slave Mode (CKE = 1) .....   | 410      |  |
| External Clock (All Modes Except PLL) .....  | 398      |  |
| External Memory Bus for Sleep (Microprocessor Mode) .....                                    | 105, 108 |  |
| External Memory Bus for TBLRD (Extended Microcontroller Mode) .....                          | 104, 107 |  |
| External Memory Bus for TBLRD (Microprocessor Mode) .....                                    | 107      |  |
| External Memory Bus for TBLRD with 1 Tcy Wait State (Microprocessor Mode) .....              | 104      |  |
| Fail-Safe Clock Monitor (FSCM) .....   | 316      |  |
| First Start Bit Timing .....   | 234      |  |
| Full-Bridge PWM Output .....   | 197      |  |
| Half-Bridge PWM Output .....   | 196      |  |
| High/Low-Voltage Detect Characteristics .....  | 395      |  |
| High-Voltage Detect Operation (VDIRMAG = 1) .....  | 294      |  |
| I <sup>2</sup> C Acknowledge Sequence .....  | 239      |  |
| I <sup>2</sup> C Bus Data .....  | 411      |  |
| I <sup>2</sup> C Bus Start/Stop Bits .....   | 411      |  |
| I <sup>2</sup> C Master Mode (7 or 10-Bit Transmission) .....                                | 237      |  |
| I <sup>2</sup> C Master Mode (7-Bit Reception) .....   | 238      |  |
| I <sup>2</sup> C Slave Mode (10-Bit Reception, SEN = 0) .....                                | 223      |  |
| I <sup>2</sup> C Slave Mode (10-Bit Reception, SEN = 1) .....                                | 228      |  |
| I <sup>2</sup> C Slave Mode (10-Bit Transmission) .....                                      | 224      |  |
| I <sup>2</sup> C Slave Mode (7-bit Reception, SEN = 0) .....                                 | 221      |  |
| I <sup>2</sup> C Slave Mode (7-Bit Reception, SEN = 1) .....                                 | 227      |  |
| I <sup>2</sup> C Slave Mode (7-Bit Transmission) .....                                       | 222      |  |
| I <sup>2</sup> C Slave Mode General Call Address Sequence (7 or 10-Bit Address Mode) .....   | 229      |  |
| I <sup>2</sup> C Stop Condition Receive or Transmit Mode .....                               | 239      |  |
| Low-Voltage Detect Operation (VDIRMAG = 0) .....   | 293      |  |
| Master SSP I <sup>2</sup> C Bus Data .....   | 413      |  |
| Master SSP I <sup>2</sup> C Bus Start/Stop Bits .....  | 413      |  |
| Parallel Slave Port (PIC18F8527/8622/8627/8722) .....  | 406      |  |
| Parallel Slave Port (PSP) Read .....   | 160      |  |
| Parallel Slave Port (PSP) Write .....  | 160      |  |
| Program Memory Read .....  | 401      |  |
| Program Memory Write .....   | 402      |  |
| PWM Auto-Shutdown (P1RSEN = 0, Auto-Restart Disabled) .....                                  | 202      |  |
| PWM Auto-Shutdown (P1RSEN = 1, Auto-Restart Enabled) .....                                   | 202      |  |
| PWM Direction Change .....   | 199      |  |
| PWM Direction Change at Near 100% Duty Cycle .....   | 199      |  |
| PWM Output .....   | 184      |  |
| Repeated Start Condition .....   | 235      |  |
| Reset, Watchdog Timer (WDT), Oscillator Start-up Timer (OST) and Power-up Timer (PWRT) ..... | 403      |  |
| Send Break Character Sequence .....  | 263      |  |
| Slave Synchronization .....  | 211      |  |
| Slow Rise Time (MCLR Tied to VDD, VDD Rise > TPWRT) .....                                    | 55       |  |
| SPI Mode (Master Mode) .....   | 210      |  |
| SPI Mode (Slave Mode, CKE = 0) .....   | 212      |  |
| SPI Mode (Slave Mode, CKE = 1) .....   | 212      |  |
| Synchronous Reception (Master Mode, SREN) .....  | 266      |  |
| Synchronous Transmission .....   | 264      |  |
| Synchronous Transmission (Through TXEN) .....  | 265      |  |
| Time-out Sequence on POR w/PLL Enabled (MCLR Tied to VDD) .....                              | 55       |  |
| Time-out Sequence on Power-up (MCLR Not Tied to VDD, Case 1) .....                           | 54       |  |
| Time-out Sequence on Power-up (MCLR Not Tied to VDD, Case 2) .....                           | 54       |  |
| Time-out Sequence on Power-up (MCLR Tied to VDD, VDD Rise < TPWRT) .....                     | 54       |  |
| Timer0 and Timer1 External Clock .....   | 404      |  |
| Transition for Entry to Idle Mode .....  | 46       |  |
| Transition for Entry to SEC_RUN Mode .....   | 43       |  |
| Transition for Entry to Sleep Mode .....   | 45       |  |
| Transition for Two-Speed Start-up (INTOSC to HSPLL) .....                                    | 314      |  |
| Transition for Wake from Idle to Run Mode .....  | 46       |  |
| Transition for Wake from Sleep (HSPLL) .....   | 45       |  |
| Transition from RC_RUN Mode to PRI_RUN Mode .....  | 44       |  |
| Transition from SEC_RUN Mode to PRI_RUN Mode (HSPLL) .....                                   | 43       |  |
| Transition to RC_RUN Mode .....  | 44       |  |
| Typical Opcode Fetch, 8-Bit Mode .....   | 108      |  |
| Timing Diagrams and Specifications   |          |  |
| A/D Conversion Requirements .....  | 417      |  |
| AC Characteristics   |          |  |
| Internal RC Accuracy .....   | 399      |  |
| Capture/Compare/PWM Requirements (All ECCP/CCP Modules) .....                                | 405      |  |
| CLKO and I/O Requirements .....  | 400, 401 |  |
| EUSART Synchronous Receive Requirements .....  | 415      |  |
| EUSART Synchronous Transmission Requirements .....   | 415      |  |
| Example SPI Mode Requirements (Master Mode, CKE = 0) .....                                   | 407      |  |
| Example SPI Mode Requirements (Master Mode, CKE = 1) .....                                   | 408      |  |
| Example SPI Mode Requirements (Slave Mode, CKE = 0) .....                                    | 409      |  |
| Example SPI Slave Mode Requirements (CKE = 1) .....  | 410      |  |
| External Clock Requirements .....  | 398      |  |
| I <sup>2</sup> C Bus Data Requirements (Slave Mode) .....                                    | 412      |  |
| I <sup>2</sup> C Bus Start/Stop Bits Requirements (Slave Mode) .....                         | 411      |  |
| Master SSP I <sup>2</sup> C Bus Data Requirements .....                                      | 414      |  |
| Master SSP I <sup>2</sup> C Bus Start/Stop Bits Requirements .....                           | 413      |  |
| Parallel Slave Port Requirements (PIC18F8527/8622/8627/8722) .....                           | 406      |  |
| PLL Clock .....  | 399      |  |
| Program Memory Write Requirements .....  | 402      |  |



# PIC18F8722 FAMILY

---

|   |          |
|---|----------|
| Reset, Watchdog Timer, Oscillator Start-up<br>Timer, Power-up Timer and Brown-out<br>Reset Requirements ..... | 403      |
| Timer0 and Timer1 External Clock<br>Requirements .....  | 404      |
| Top-of-Stack Access .....   | 66       |
| TRISE Register<br>PSPMODE Bit .....   | 158      |
| TSTFSZ .....  | 361      |
| Two-Speed Start-up .....  | 297, 314 |
| IESO (CONFIG1H, Internal/External<br>Oscillator Switchover Bit .....  | 299      |
| Two-Word Instructions<br>Example Cases .....  | 71       |
| TXSTAx Register<br>BRGH Bit .....   | 251      |

## W

|                                  |                    |
|----------------------------------|--------------------|
| Watchdog Timer (WDT) .....       | 297, 312           |
| Associated Registers .....       | 313                |
| Control Register .....           | 312                |
| During Oscillator Failure .....  | 315                |
| Programming Considerations ..... | 312                |
| WCOL .....                       | 234, 235, 236, 239 |
| WCOL Status Flag .....           | 234, 235, 236, 239 |
| WWW Address .....                | 439                |
| WWW, On-Line Support .....       | 5                  |

## X

|             |     |
|-------------|-----|
| XORLW ..... | 361 |
| XORWF ..... | 362 |

# PIC18F8722 FAMILY

---

NOTES:

## THE MICROCHIP WEB SITE

Microchip provides online support via our WWW site at [www.microchip.com](http://www.microchip.com). This web site is used as a means to make files and information easily available to customers. Accessible by using your favorite Internet browser, the web site contains the following information:

- **Product Support** – Data sheets and errata, application notes and sample programs, design resources, user's guides and hardware support documents, latest software releases and archived software
- **General Technical Support** – Frequently Asked Questions (FAQ), technical support requests, online discussion groups, Microchip consultant program member listing
- **Business of Microchip** – Product selector and ordering guides, latest Microchip press releases, listing of seminars and events, listings of Microchip sales offices, distributors and factory representatives

## CUSTOMER CHANGE NOTIFICATION SERVICE

Microchip's customer notification service helps keep customers current on Microchip products. Subscribers will receive e-mail notification whenever there are changes, updates, revisions or errata related to a specified product family or development tool of interest.

To register, access the Microchip web site at [www.microchip.com](http://www.microchip.com), click on Customer Change Notification and follow the registration instructions.

## CUSTOMER SUPPORT

Users of Microchip products can receive assistance through several channels:

- Distributor or Representative
- Local Sales Office
- Field Application Engineer (FAE)
- Technical Support
- Development Systems Information Line

Customers should contact their distributor, representative or field application engineer (FAE) for support. Local sales offices are also available to help customers. A listing of sales offices and locations is included in the back of this document.

**Technical support is available through the web site at: <http://support.microchip.com>**

# PIC18F8722 FAMILY

---

---

## READER RESPONSE

It is our intention to provide you with the best documentation possible to ensure successful use of your Microchip product. If you wish to provide your comments on organization, clarity, subject matter, and ways in which our documentation can better serve you, please FAX your comments to the Technical Publications Manager at (480) 792-4150.

Please list the following information, and use this outline to provide us with your comments about this document.

To: Technical Publications Manager  
RE: Reader Response  
From: Name \_\_\_\_\_  
Company \_\_\_\_\_  
Address \_\_\_\_\_  
City / State / ZIP / Country \_\_\_\_\_  
Telephone: (\_\_\_\_\_) \_\_\_\_\_ - \_\_\_\_\_ FAX: (\_\_\_\_\_) \_\_\_\_\_ - \_\_\_\_\_

Application (optional):

Would you like a reply? \_\_\_Y \_\_\_N

Device: PIC18F8722 Family Literature Number: DS39646C

Questions:

1. What are the best features of this document?  
\_\_\_\_\_  
\_\_\_\_\_
2. How does this document meet your hardware and software development needs?  
\_\_\_\_\_  
\_\_\_\_\_
3. Do you find the organization of this document easy to follow? If not, why?  
\_\_\_\_\_  
\_\_\_\_\_
4. What additions to the document do you think would enhance the structure and subject?  
\_\_\_\_\_  
\_\_\_\_\_
5. What deletions from the document could be made without affecting the overall usefulness?  
\_\_\_\_\_  
\_\_\_\_\_
6. Is there any incorrect or misleading information (what and where)?  
\_\_\_\_\_  
\_\_\_\_\_
7. How would you improve this document?  
\_\_\_\_\_  
\_\_\_\_\_

# PIC18F8722 FAMILY

## PIC18F8722 FAMILY PRODUCT IDENTIFICATION SYSTEM

To order or obtain information, e.g., on pricing or delivery, refer to the factory or the listed sales office.

| <u>PART NO.</u>   |  | <u>X</u> | <u>/XX</u> | <u>XXX</u> |
|-------------------|--|----------|------------|------------|
| Device            | Temperature Range  | Package  | Pattern    |            |
| Device            | PIC18F6527/6622/6627/6722 <sup>(1)</sup> , PIC18F8527/8622/8627/8722 <sup>(1)</sup> ,<br>PIC18F6527/6622/6627/6722T <sup>(2)</sup> , PIC18F8527/8622/8627/8722T <sup>(2)</sup> ;<br>VDD range 4.2V to 5.5V<br>PIC18LF6627/6722 <sup>(1)</sup> , PIC18LF8627/8722 <sup>(1)</sup> ,<br>PIC18LF6627/6722T <sup>(2)</sup> , PIC18LF8627/8722T <sup>(2)</sup> ;<br>VDD range 2.0V to 5.5V |          |            |            |
| Temperature Range | I = -40°C to +85°C (Industrial)<br>E = -40°C to +125°C (Extended)  |          |            |            |
| Package           | PT = TQFP (Thin Quad Flatpack)   |          |            |            |
| Pattern           | QTP, SQTP, Code or Special Requirements (blank otherwise)  |          |            |            |

**Examples:**

a) PIC18LF6622-I/PT 301 = Industrial temp., TQFP package, Extended VDD limits, QTP pattern #301.

b) PIC18LF6722-E/PT = Extended temp., TQFP package, standard VDD limits.

**Note 1:** F = Standard Voltage Range  
LF = Wide Voltage Range

**2:** T = in tape and reel TQFP packages only.



## WORLDWIDE SALES AND SERVICE

### AMERICAS

**Corporate Office**  
2355 West Chandler Blvd.  
Chandler, AZ 85224-6199  
Tel: 480-792-7200  
Fax: 480-792-7277  
Technical Support:  
<http://support.microchip.com>  
Web Address:  
[www.microchip.com](http://www.microchip.com)

**Atlanta**  
Duluth, GA  
Tel: 678-957-9614  
Fax: 678-957-1455

**Boston**  
Westborough, MA  
Tel: 774-760-0087  
Fax: 774-760-0088

**Chicago**  
Itasca, IL  
Tel: 630-285-0071  
Fax: 630-285-0075

**Dallas**  
Addison, TX  
Tel: 972-818-7423  
Fax: 972-818-2924

**Detroit**  
Farmington Hills, MI  
Tel: 248-538-2250  
Fax: 248-538-2260

**Kokomo**  
Kokomo, IN  
Tel: 765-864-8360  
Fax: 765-864-8387

**Los Angeles**  
Mission Viejo, CA  
Tel: 949-462-9523  
Fax: 949-462-9608

**Santa Clara**  
Santa Clara, CA  
Tel: 408-961-6444  
Fax: 408-961-6445

**Toronto**  
Mississauga, Ontario,  
Canada  
Tel: 905-673-0699  
Fax: 905-673-6509

### ASIA/PACIFIC

**Asia Pacific Office**  
Suites 3707-14, 37th Floor  
Tower 6, The Gateway  
Harbour City, Kowloon  
Hong Kong  
Tel: 852-2401-1200  
Fax: 852-2401-3431

**Australia - Sydney**  
Tel: 61-2-9868-6733  
Fax: 61-2-9868-6755

**China - Beijing**  
Tel: 86-10-8528-2100  
Fax: 86-10-8528-2104

**China - Chengdu**  
Tel: 86-28-8665-5511  
Fax: 86-28-8665-7889

**China - Hong Kong SAR**  
Tel: 852-2401-1200  
Fax: 852-2401-3431

**China - Nanjing**  
Tel: 86-25-8473-2460  
Fax: 86-25-8473-2470

**China - Qingdao**  
Tel: 86-532-8502-7355  
Fax: 86-532-8502-7205

**China - Shanghai**  
Tel: 86-21-5407-5533  
Fax: 86-21-5407-5066

**China - Shenyang**  
Tel: 86-24-2334-2829  
Fax: 86-24-2334-2393

**China - Shenzhen**  
Tel: 86-755-8203-2660  
Fax: 86-755-8203-1760

**China - Wuhan**  
Tel: 86-27-5980-5300  
Fax: 86-27-5980-5118

**China - Xiamen**  
Tel: 86-592-2388138  
Fax: 86-592-2388130

**China - Xian**  
Tel: 86-29-8833-7252  
Fax: 86-29-8833-7256

**China - Zhuhai**  
Tel: 86-756-3210040  
Fax: 86-756-3210049

### ASIA/PACIFIC

**India - Bangalore**  
Tel: 91-80-4182-8400  
Fax: 91-80-4182-8422

**India - New Delhi**  
Tel: 91-11-4160-8631  
Fax: 91-11-4160-8632

**India - Pune**  
Tel: 91-20-2566-1512  
Fax: 91-20-2566-1513

**Japan - Yokohama**  
Tel: 81-45-471- 6166  
Fax: 81-45-471-6122

**Korea - Daegu**  
Tel: 82-53-744-4301  
Fax: 82-53-744-4302

**Korea - Seoul**  
Tel: 82-2-554-7200  
Fax: 82-2-558-5932 or  
82-2-558-5934

**Malaysia - Kuala Lumpur**  
Tel: 60-3-6201-9857  
Fax: 60-3-6201-9859

**Malaysia - Penang**  
Tel: 60-4-227-8870  
Fax: 60-4-227-4068

**Philippines - Manila**  
Tel: 63-2-634-9065  
Fax: 63-2-634-9069

**Singapore**  
Tel: 65-6334-8870  
Fax: 65-6334-8850

**Taiwan - Hsin Chu**  
Tel: 886-3-572-9526  
Fax: 886-3-572-6459

**Taiwan - Kaohsiung**  
Tel: 886-7-536-4818  
Fax: 886-7-536-4803

**Taiwan - Taipei**  
Tel: 886-2-2500-6610  
Fax: 886-2-2508-0102

**Thailand - Bangkok**  
Tel: 66-2-694-1351  
Fax: 66-2-694-1350

### EUROPE

**Austria - Wels**  
Tel: 43-7242-2244-39  
Fax: 43-7242-2244-393

**Denmark - Copenhagen**  
Tel: 45-4450-2828  
Fax: 45-4485-2829

**France - Paris**  
Tel: 33-1-69-53-63-20  
Fax: 33-1-69-30-90-79

**Germany - Munich**  
Tel: 49-89-627-144-0  
Fax: 49-89-627-144-44

**Italy - Milan**  
Tel: 39-0331-742611  
Fax: 39-0331-466781

**Netherlands - Drunen**  
Tel: 31-416-690399  
Fax: 31-416-690340

**Spain - Madrid**  
Tel: 34-91-708-08-90  
Fax: 34-91-708-08-91

**UK - Wokingham**  
Tel: 44-118-921-5869  
Fax: 44-118-921-5820

Компания «Океан Электроники» предлагает заключение долгосрочных отношений при поставках импортных электронных компонентов на взаимовыгодных условиях!

Наши преимущества:

- Поставка оригинальных импортных электронных компонентов напрямую с производств Америки, Европы и Азии, а так же с крупнейших складов мира;
- Широкая линейка поставок активных и пассивных импортных электронных компонентов (более 30 млн. наименований);
- Поставка сложных, дефицитных, либо снятых с производства позиций;
- Оперативные сроки поставки под заказ (от 5 рабочих дней);
- Экспресс доставка в любую точку России;
- Помощь Конструкторского Отдела и консультации квалифицированных инженеров;
- Техническая поддержка проекта, помощь в подборе аналогов, поставка прототипов;
- Поставка электронных компонентов под контролем ВП;
- Система менеджмента качества сертифицирована по Международному стандарту ISO 9001;
- При необходимости вся продукция военного и аэрокосмического назначения проходит испытания и сертификацию в лаборатории (по согласованию с заказчиком);
- Поставка специализированных компонентов военного и аэрокосмического уровня качества (Xilinx, Altera, Analog Devices, Intersil, Interpoint, Microsemi, Actel, Aeroflex, Peregrine, VPT, Syfer, Eurofarad, Texas Instruments, MS Kennedy, Miteq, Cobham, E2V, MA-COM, Hittite, Mini-Circuits, General Dynamics и др.);

Компания «Океан Электроники» является официальным дистрибьютором и эксклюзивным представителем в России одного из крупнейших производителей разъемов военного и аэрокосмического назначения «JONHON», а так же официальным дистрибьютором и эксклюзивным представителем в России производителя высокотехнологичных и надежных решений для передачи СВЧ сигналов «FORSTAR».



## JONHON

«JONHON» (основан в 1970 г.)

Разъемы специального, военного и аэрокосмического назначения:

(Применяются в военной, авиационной, аэрокосмической, морской, железнодорожной, горно- и нефтедобывающей отраслях промышленности)

«FORSTAR» (основан в 1998 г.)

ВЧ соединители, коаксиальные кабели, кабельные сборки и микроволновые компоненты:

(Применяются в телекоммуникациях гражданского и специального назначения, в средствах связи, РЛС, а так же военной, авиационной и аэрокосмической отраслях промышленности).



Телефон: 8 (812) 309-75-97 (многоканальный)

Факс: 8 (812) 320-03-32

Электронная почта: [ocean@oceanchips.ru](mailto:ocean@oceanchips.ru)

Web: <http://oceanchips.ru/>

Адрес: 198099, г. Санкт-Петербург, ул. Калинина, д. 2, корп. 4, лит. А