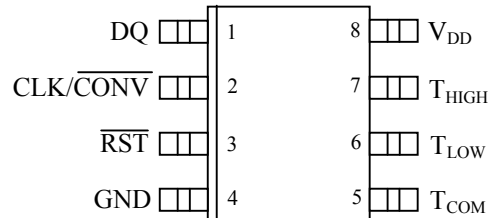


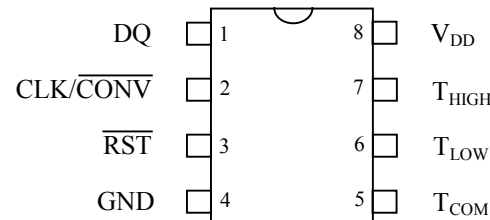
### FEATURES

- Requires no external components
- Supply voltage range covers from 2.7V to 5.5V
- Measures temperatures from -55°C to +125°C in 0.5°C increments; Fahrenheit equivalent is -67°F to +257°F in 0.9°F increments
- Temperature is read as a 9-bit value
- Converts temperature to digital word in 750 ms (max)
- Thermostatic settings are user-definable and nonvolatile
- Data is read from/written via a 3-wire serial interface (CLK, DQ,  $\overline{\text{RST}}$ )
- Applications include thermostatic controls, industrial systems, consumer products, thermometers, or any thermally sensitive system
- 8-pin DIP or SOIC (208-mil) packages

### PIN ASSIGNMENT



DS1620S 8-Pin SOIC (208-mil)



DS1620 8-Pin DIP (300-mil)

### PIN DESCRIPTION

- DQ - 3-Wire Input/Output
- CLK/ $\overline{\text{CONV}}$  - 3-Wire Clock Input and Stand-alone Convert Input
- $\overline{\text{RST}}$  - 3-Wire Reset Input
- GND - Ground
- T<sub>HIGH</sub> - High Temperature Trigger
- T<sub>LOW</sub> - Low Temperature Trigger
- T<sub>COM</sub> - High/Low Combination Trigger
- V<sub>DD</sub> - Power Supply Voltage (3V - 5V)

### DESCRIPTION

The DS1620 Digital Thermometer and Thermostat provides 9-bit temperature readings which indicate the temperature of the device. With three thermal alarm outputs, the DS1620 can also act as a thermostat. T<sub>HIGH</sub> is driven high if the DS1620's temperature is greater than or equal to a user-defined temperature TH. T<sub>LOW</sub> is driven high if the DS1620's temperature is less than or equal to a user-defined temperature TL. T<sub>COM</sub> is driven high when the temperature exceeds TH and stays high until the temperature falls below that of TL.

User-defined temperature settings are stored in nonvolatile memory, so parts can be programmed prior to insertion in a system, as well as used in standalone applications without a CPU. Temperature settings and temperature readings are all communicated to/from the DS1620 over a simple 3-wire interface.

## ORDERING INFORMATION

| PART        | PACKAGE MARKING   | DESCRIPTION  |
|-------------|-------------------|--|
| DS1620      | DS1620            | 8-Pin DIP (300 mil)                                      |
| DS1620+     | DS1620 (See Note) | Lead-Free 8-Pin DIP (300 mil)                            |
| DS1620S     | DS1620            | 8-Pin SOIC (208 mil)                                     |
| DS1620S+    | DS1620 (See Note) | Lead-Free 8-Pin SOIC (208 mil)                           |
| DS1620S/T&R | DS1620            | 8-Pin SOIC (208 mil), 2000-Piece Tape-and-Reel           |
| DS1620S+T&R | DS1620 (See Note) | Lead-Free 8-Pin SOIC (208 mil), 2000-Piece Tape-and-Reel |

Note: A “+” symbol will also be marked on the package near the Pin 1 indicator

## DETAILED PIN DESCRIPTION Table 1

| PIN | SYMBOL                        | DESCRIPTION  |
|-----|-------------------------------|--|
| 1   | DQ                            | <b>Data Input/Output pin</b> for 3-wire communication port.  |
| 2   | CLK/ $\overline{\text{CONV}}$ | <b>Clock input pin</b> for 3-wire communication port. When the DS1620 is used in a stand-alone application with no 3-wire port, this pin can be used as a convert pin. Temperature conversion will begin on the falling edge of $\overline{\text{CONV}}$ . |
| 3   | $\overline{\text{RST}}$       | <b>Reset input pin</b> for 3-wire communication port.  |
| 4   | GND                           | <b>Ground pin.</b>   |
| 5   | T <sub>COM</sub>              | <b>High/Low Combination Trigger.</b> Goes high when temperature exceeds TH; will reset to low when temperature falls below TL.   |
| 6   | T <sub>LOW</sub>              | <b>Low Temperature Trigger.</b> Goes high when temperature falls below TL.   |
| 7   | T <sub>HIGH</sub>             | <b>High Temperature Trigger.</b> Goes high when temperature exceeds TH.  |
| 8   | V <sub>DD</sub>               | <b>Supply Voltage.</b> 2.7V – 5.5V input power pin.  |

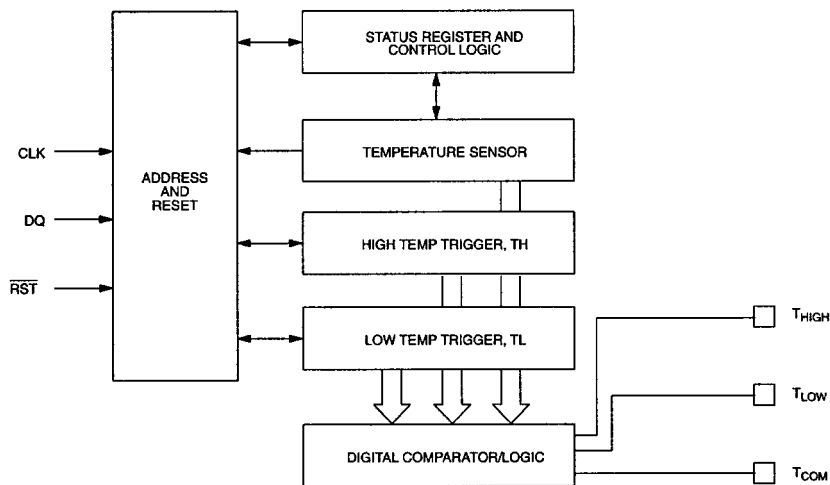
## Table 2. DS1620 REGISTER SUMMARY

| REGISTER NAME<br>(USER ACCESS) | SIZE   | MEMORY<br>TYPE | REGISTER CONTENTS<br>AND POWER-UP/POR STATE   |
|--------------------------------|--------|----------------|---|
| Temperature<br>(Read Only)     | 9 Bits | SRAM           | Measured Temperature (Two's Complement)<br>Power-Up/POR State: -60°C (1 1000 1000)  |
| T <sub>H</sub><br>(Read/Write) | 9 Bits | EEPROM         | Upper Alarm Trip Point (Two's Complement)<br>Power-Up/POR State: User-Defined.<br>Initial State from Factory: +15°C (0 0001 1110) |
| T <sub>L</sub><br>(Read/Write) | 9 Bits | EEPROM         | Lower Alarm Trip Point (Two's Complement)<br>Power-Up/POR State: User-Defined.<br>Initial State from Factory: +10°C (0 0001 0100) |

## OPERATION-MEASURING TEMPERATURE

A block diagram of the DS1620 is shown in Figure 1.

## DS1620 FUNCTIONAL BLOCK DIAGRAM Figure 1

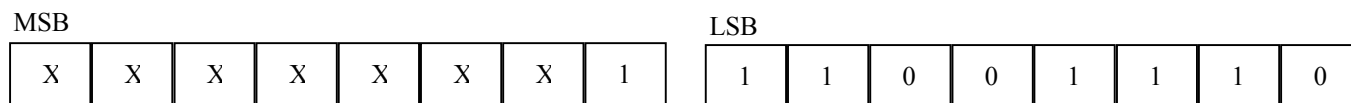


The DS1620 measures temperature using a bandgap-based temperature sensor. The temperature reading is provided in a 9-bit, two's complement reading by issuing a READ TEMPERATURE command. The data is transmitted serially through the 3-wire serial interface, LSB first. The DS1620 can measure temperature over the range of  $-55^{\circ}\text{C}$  to  $+125^{\circ}\text{C}$  in  $0.5^{\circ}\text{C}$  increments. For Fahrenheit usage, a lookup table or conversion factor must be used.

Since data is transmitted over the 3-wire bus LSB first, temperature data can be written to/read from the DS1620 as either a 9-bit word (taking  $\overline{\text{RST}}$  low after the 9<sup>th</sup> (MSB) bit), or as two transfers of 8-bit words, with the most significant 7 bits being ignored or set to 0, as illustrated in Table 3. After the MSB, the DS1620 will output 0s.

Note that temperature is represented in the DS1620 in terms of a  $\frac{1}{2}^{\circ}\text{C}$  LSB, yielding the 9-bit format shown in Figure 2.

## TEMPERATURE, TH, and TL REGISTER FORMAT Figure 2



T =  $-25^{\circ}\text{C}$

Table 3 describes the exact relationship of output data to measured temperature.

**TEMPERATURE/DATA RELATIONSHIPS Table 3**

| TEMP   | DIGITAL OUTPUT<br>(Binary) | DIGITAL OUTPUT<br>(Hex) |
|--------|----------------------------|-------------------------|
| +125°C | 0 11111010                 | 00FA                    |
| +25°C  | 0 00110010                 | 0032h                   |
| +½°C   | 0 00000001                 | 0001h                   |
| +0°C   | 0 00000000                 | 0000h                   |
| -½°C   | 1 11111111                 | 01FFh                   |
| -25°C  | 1 11001110                 | 01CEh                   |
| -55°C  | 1 10010010                 | 0192h                   |

Higher resolutions may be obtained by reading the temperature, and truncating the 0.5°C bit (the LSB) from the read value. This value is TEMP\_READ. The value left in the counter may then be read by issuing a READ COUNTER command. This value is the count remaining (COUNT\_REMAIN) after the gate period has ceased. By loading the value of the slope accumulator into the count register (using the READ SLOPE command), this value may then be read, yielding the number of counts per degree C (COUNT\_PER\_C) at that temperature. The actual temperature may be then be calculated by the user using the following:

$$\text{TEMPERATURE} = \text{TEMP\_READ} - 0.25 + \frac{(\text{COUNT\_PER\_C} - \text{COUNT\_REMAIN})}{\text{COUNT\_PER\_C}}$$

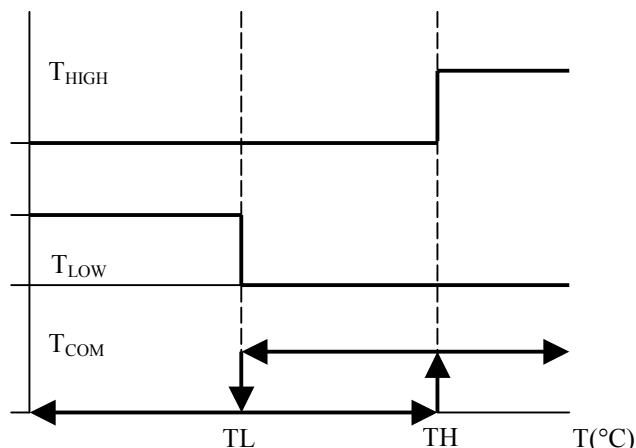
## OPERATION—THERMOSTAT CONTROLS

Three thermally triggered outputs, T<sub>HIGH</sub>, T<sub>LOW</sub>, and T<sub>COM</sub>, are provided to allow the DS1620 to be used as a thermostat, as shown in Figure 3. When the DS1620's temperature meets or exceeds the value stored in the high temperature trip register, the output T<sub>HIGH</sub> becomes active (high) and remains active until the DS1620's measured temperature becomes less than the stored value in the high temperature register, TH. The T<sub>HIGH</sub> output can be used to indicate that a high temperature tolerance boundary has been met or exceeded, or it can be used as part of a closed loop system to activate a cooling system and deactivate it when the system temperature returns to tolerance.

The T<sub>LOW</sub> output functions similarly to the T<sub>HIGH</sub> output. When the DS1620's measured temperature equals or falls below the value stored in the low temperature register, the T<sub>LOW</sub> output becomes active. T<sub>LOW</sub> remains active until the DS1620's temperature becomes greater than the value stored in the low temperature register, TL. The T<sub>LOW</sub> output can be used to indicate that a low temperature tolerance boundary has been met or exceeded, or as part of a closed loop system it can be used to activate a heating system and deactivate it when the system temperature returns to tolerance.

The T<sub>COM</sub> output goes high when the measured temperature meets or exceeds TH, and will stay high until the temperature equals or falls below TL. In this way, any amount of hysteresis can be obtained.

## THERMOSTAT OUTPUT OPERATION Figure 3



### OPERATION AND CONTROL

The DS1620 must have temperature settings resident in the TH and TL registers for thermostatic operation. A configuration/status register also determines the method of operation that the DS1620 will use in a particular application and indicates the status of the temperature conversion operation. The configuration register is defined as follows:

#### CONFIGURATION/STATUS REGISTER

|      |     |     |     |   |   |     |       |
|------|-----|-----|-----|---|---|-----|-------|
| DONE | THF | TLF | NVB | 1 | 0 | CPU | 1SHOT |
|------|-----|-----|-----|---|---|-----|-------|

where

**DONE** = Conversion Done Bit. 1=conversion complete, 0=conversion in progress. The power-up/POR state is a 1.

**THF** = Temperature High Flag. This bit will be set to 1 when the temperature is greater than or equal to the value of TH. It will remain 1 until reset by writing 0 into this location or by removing power from the device. This feature provides a method of determining if the DS1620 has ever been subjected to temperatures above TH while power has been applied. The power-up/POR state is a 0.

**TLF** = Temperature Low Flag. This bit will be set to 1 when the temperature is less than or equal to the value of TL. It will remain 1 until reset by writing 0 into this location or by removing power from the device. This feature provides a method of determining if the DS1620 has ever been subjected to temperatures below TL while power has been applied. The power-up/POR state is a 0.

**NVB** = Nonvolatile Memory Busy Flag. 1=write to an E<sup>2</sup> memory cell in progress. 0=nonvolatile memory is not busy. A copy to E<sup>2</sup> may take up to 10 ms. The power-up/POR state is a 0.

**CPU** = CPU Use Bit. If CPU=0, the CLK/ $\overline{\text{CONV}}$  pin acts as a conversion start control, when  $\overline{\text{RST}}$  is low. If CPU is 1, the DS1620 will be used with a CPU communicating to it over the 3-wire port, and the operation of the CLK/ $\overline{\text{CONV}}$  pin is as a normal clock in concert with  $\overline{\text{DQ}}$  and  $\overline{\text{RST}}$ . This bit is stored in nonvolatile E<sup>2</sup> memory, capable of at least 50,000 writes. The DS1620 is shipped with CPU=0.

1SHOT = One-Shot Mode. If 1SHOT is 1, the DS1620 will perform one temperature conversion upon reception of the Start Convert T protocol. If 1SHOT is 0, the DS1620 will continuously perform temperature conversion. This bit is stored in nonvolatile E<sup>2</sup> memory, capable of at least 50,000 writes. The DS1620 is shipped with 1SHOT=0.

For typical thermostat operation, the DS1620 will operate in continuous mode. However, for applications where only one reading is needed at certain times or to conserve power, the one-shot mode may be used. Note that the thermostat outputs (T<sub>HIGH</sub>, T<sub>LOW</sub>, T<sub>COM</sub>) will remain in the state they were in after the last valid temperature conversion cycle when operating in one-shot mode.

## OPERATION IN STAND-ALONE MODE

In applications where the DS1620 is used as a simple thermostat, no CPU is required. Since the temperature limits are nonvolatile, the DS1620 can be programmed prior to insertion in the system. In order to facilitate operation without a CPU, the CLK/ $\overline{\text{CONV}}$  pin (pin 2) can be used to initiate conversions. Note that the CPU bit must be set to 0 in the configuration register to use this mode of operation. Whether CPU=0 or 1, the 3-wire port is active. Setting CPU=1 disables the stand-alone mode.

To use the CLK/ $\overline{\text{CONV}}$  pin to initiate conversions,  $\overline{\text{RST}}$  must be low and CLK/ $\overline{\text{CONV}}$  must be high. If CLK/ $\overline{\text{CONV}}$  is driven low and then brought high in less than 10 ms, one temperature conversion will be performed and then the DS1620 will return to an idle state. If CLK/ $\overline{\text{CONV}}$  is driven low and remains low, continuous conversions will take place until CLK/ $\overline{\text{CONV}}$  is brought high again. With the CPU bit set to 0, the CLK/ $\overline{\text{CONV}}$  will override the 1SHOT bit if it is equal to 1. This means that even if the part is set for one-shot mode, driving CLK/ $\overline{\text{CONV}}$  low will initiate conversions.

## 3-WIRE COMMUNICATIONS

The 3-wire bus is comprised of three signals. These are the  $\overline{\text{RST}}$  (reset) signal, the CLK (clock) signal, and the DQ (data) signal. All data transfers are initiated by driving the  $\overline{\text{RST}}$  input high. Driving the  $\overline{\text{RST}}$  input low terminates communication. (See Figures 4 and 5.) A clock cycle is a sequence of a falling edge followed by a rising edge. For data inputs, the data must be valid during the rising edge of a clock cycle. Data bits are output on the falling edge of the clock and remain valid through the rising edge.

When reading data from the DS1620, the DQ pin goes to a high-impedance state while the clock is high. Taking  $\overline{\text{RST}}$  low will terminate any communication and cause the DQ pin to go to a high-impedance state.

Data over the 3-wire interface is communicated LSB first. The command set for the 3-wire interface as shown in Table 4 is as follows.

### Read Temperature [AAh]

This command reads the contents of the register which contains the last temperature conversion result. The next nine clock cycles will output the contents of this register.

### Write TH [01h]

This command writes to the TH (HIGH TEMPERATURE) register. After issuing this command the next nine clock cycles clock in the 9-bit temperature limit which will set the threshold for operation of the T<sub>HIGH</sub> output.

**Write TL [02h]**

This command writes to the TL (LOW TEMPERATURE) register. After issuing this command the next nine clock cycles clock in the 9-bit temperature limit which will set the threshold for operation of the  $T_{LOW}$  output.

**Read TH [A1h]**

This command reads the value of the TH (HIGH TEMPERATURE) register. After issuing this command the next nine clock cycles clock out the 9-bit temperature limit which sets the threshold for operation of the  $T_{HIGH}$  output.

**Read TL [A2h]**

This command reads the value of the TL (LOW TEMPERATURE) register. After issuing this command the next nine clock cycles clock out the 9-bit temperature limit which sets the threshold for operation of the  $T_{LOW}$  output.

**Read Counter [A0h]**

This command reads the value of the counter byte. The next nine clock cycles will output the contents of this register.

**Read Slope [A9h]**

This command reads the value of the slope counter byte from the DS1620. The next nine clock cycles will output the contents of this register.

**Start Convert T [EEh]**

This command begins a temperature conversion. No further data is required. In one-shot mode the temperature conversion will be performed and then the DS1620 will remain idle. In continuous mode this command will initiate continuous conversions.

**Stop Convert T [22h]**

This command stops temperature conversion. No further data is required. This command may be used to halt a DS1620 in continuous conversion mode. After issuing this command the current temperature measurement will be completed and then the DS1620 will remain idle until a Start Convert T is issued to resume continuous operation.

**Write Config [0Ch]**

This command writes to the configuration register. After issuing this command the next eight clock cycles clock in the value of the configuration register.

**Read Config [ACh]**

This command reads the value in the configuration register. After issuing this command the next eight clock cycles output the value of the configuration register.

**DS1620 COMMAND SET Table 4**

| <b>INSTRUCTION</b>                     | <b>DESCRIPTION</b>  | <b>PROTOCOL</b> | <b>3-WIRE BUS DATA AFTER ISSUING PROTOCOL</b> | <b>NOTES</b> |
|--|---|-----------------|---|--------------|
| <b>TEMPERATURE CONVERSION COMMANDS</b> |   |                 |   |              |
| Read Temperature                       | Reads last converted temperature value from temperature register. | AAh             | <read data>                                   |              |
| Read Counter                           | Reads value of count remaining from counter.                      | A0h             | <read data>                                   |              |
| Read Slope                             | Reads value of the slope accumulator.                             | A9h             | <read data>                                   |              |
| Start Convert T                        | Initiates temperature conversion.                                 | EEh             | Idle  | 1            |
| Stop Convert T                         | Halts temperature conversion.                                     | 22h             | Idle  | 1            |
| <b>THERMOSTAT COMMANDS</b>             |   |                 |   |              |
| Write TH                               | Writes high temperature limit value into TH register.             | 01h             | <write data>                                  | 2            |
| Write TL                               | Writes low temperature limit value into TL register.              | 02h             | <write data>                                  | 2            |
| Read TH                                | Reads stored value of high temperature limit from TH register.    | A1h             | <read data>                                   | 2            |
| Read TL                                | Reads stored value of low temperature limit from TL register.     | A2h             | <read data>                                   | 2            |
| Write Config                           | Writes configuration data to configuration register.              | 0Ch             | <write data>                                  | 2            |
| Read Config                            | Reads configuration data from configuration register.             | ACh             | <read data>                                   | 2            |

**NOTES:**

1. In continuous conversion mode, a Stop Convert T command will halt continuous conversion. To restart, the Start Convert T command must be issued. In one-shot mode, a Start Convert T command must be issued for every temperature reading desired.
2. Writing to the E<sup>2</sup> requires up to 10 ms at room temperature. After issuing a write command no further writes should be requested for at least 10 ms.

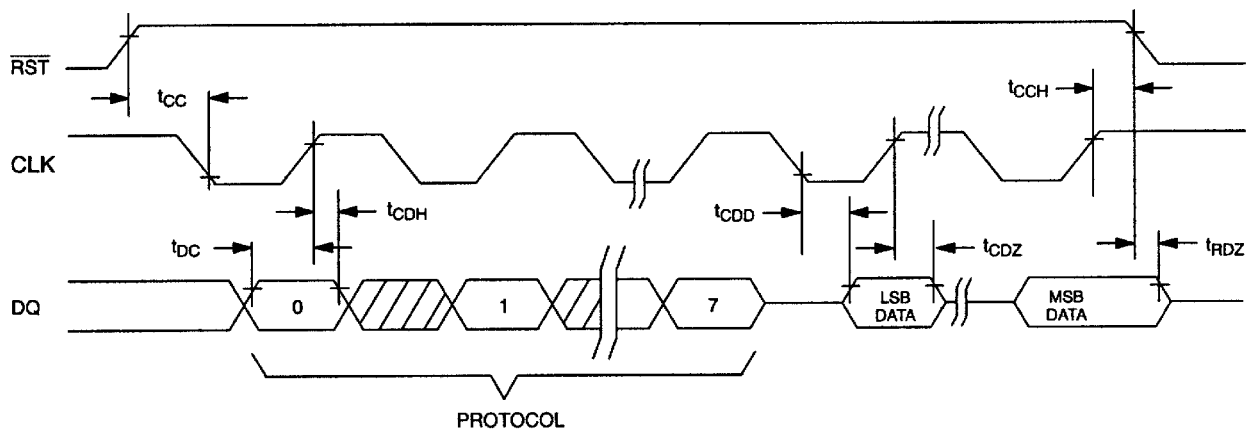


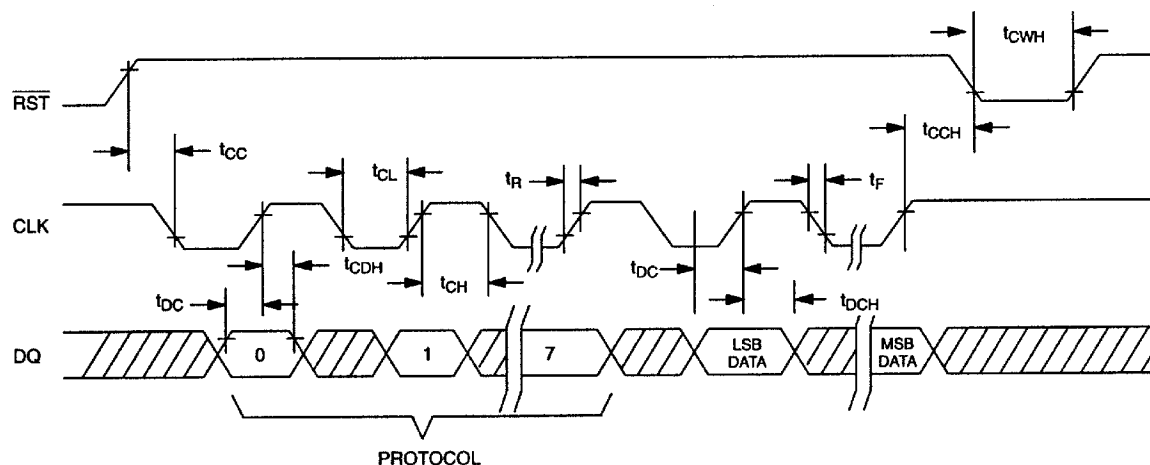
## FUNCTION EXAMPLE

Example: CPU sets up DS1620 for continuous conversion and thermostatic function.

| CPU MODE | DS1620 MODE (3-WIRE) | DATA (LSB FIRST)               | COMMENTS   |
|----------|----------------------|--------------------------------|--|
| TX       | RX                   | 0Ch                            | CPU issues Write Config command                        |
| TX       | RX                   | 00h                            | CPU sets DS1620 up for continuous conversion           |
| TX       | RX                   | Toggle $\overline{\text{RST}}$ | CPU issues Reset to DS1620                             |
| TX       | RX                   | 01h                            | CPU issues Write TH command                            |
| TX       | RX                   | 0050h                          | CPU sends data for TH limit of +40°C                   |
| TX       | RX                   | Toggle $\overline{\text{RST}}$ | CPU issues Reset to DS1620                             |
| TX       | RX                   | 02h                            | CPU issues Write TL command                            |
| TX       | RX                   | 0014h                          | CPU sends data for TL limit of +10°C                   |
| TX       | RX                   | Toggle $\overline{\text{RST}}$ | CPU issues Reset to DS1620                             |
| TX       | RX                   | A1h                            | CPU issues Read TH command                             |
| RX       | TX                   | 0050h                          | DS1620 sends back stored value of TH for CPU to verify |
| TX       | RX                   | Toggle $\overline{\text{RST}}$ | CPU issues Reset to DS1620                             |
| TX       | RX                   | A2h                            | CPU issues Read TL command                             |
| RX       | TX                   | 0014h                          | DS1620 sends back stored value of TL for CPU to verify |
| TX       | RX                   | Toggle $\overline{\text{RST}}$ | CPU issues Reset to DS1620                             |
| TX       | RX                   | EEh                            | CPU issues Start Convert T command                     |
| TX       | RX                   | Drop $\overline{\text{RST}}$   | CPU issues Reset to DS1620                             |

## READ DATA TRANSFER Figure 4



**WRITE DATA TRANSFER Figure 5**

NOTE:  $t_{CL}$ ,  $t_{CH}$ ,  $t_{R}$ , and  $t_{F}$  apply to both read and write data transfer.

**ABSOLUTE MAXIMUM RATINGS\***

|                                       |                      |
|---------------------------------------|----------------------|
| Voltage on Any Pin Relative to Ground | -0.5V to +6.0V       |
| Operating Temperature                 | -55°C to +125°C      |
| Storage Temperature                   | -55°C to +125°C      |
| Soldering Temperature                 | 260°C for 10 seconds |

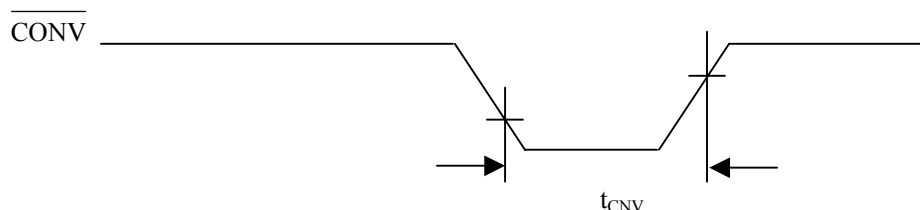
\* This is a stress rating only and functional operation of the device at these or any other conditions above those indicated in the operation sections of this specification is not implied. Exposure to absolute maximum rating conditions for extended periods of time may affect reliability.

**RECOMMENDED DC OPERATING CONDITIONS**

| PARAMETER | SYMBOL   | MIN                 | TYP | MAX                 | UNITS | NOTES |
|-----------|----------|---------------------|-----|---------------------|-------|-------|
| Supply    | $V_{DD}$ | 2.7                 |     | 5.5                 | V     | 1,2   |
| Logic 1   | $V_{IH}$ | $0.7 \times V_{DD}$ |     | $V_{CC} + 0.3$      | V     | 1     |
| Logic 0   | $V_{IL}$ | -0.3                |     | $0.3 \times V_{DD}$ | V     | 1     |

**DC ELECTRICAL CHARACTERISTICS** (-55°C to +125°C;  $V_{DD}=2.7V$  to 5.5V)

| PARAMETER                 | SYMBOL     | CONDITION                                    | MIN | MAX   | UNITS | NOTES |
|---------------------------|------------|--|-----|-------|-------|-------|
| Thermometer Error         | $T_{ERR}$  | 0°C to +70°C<br>$3.0V \leq V_{DD} \leq 5.5V$ |     | ±0.5  | °C    | 2     |
|                           |            | 0°C to +70°C<br>$2.7V \leq V_{DD} < 3.0V$    |     | ±1.25 |       |       |
|                           |            | -55°C to +125°C                              |     | ±2.0  |       |       |
| Thermometer Resolution    |            |  |     | 12    | Bits  |       |
| Logic 0 Output            | $V_{OL}$   |  |     | 0.4   | V     | 4     |
| Logic 1 Output            | $V_{OH}$   |  | 2.4 |       | V     | 5     |
| Input Resistance          | $R_I$      | $\overline{RST}$ to GND                      | 1   |       | MΩ    |       |
|                           |            | DQ, CLK to $V_{DD}$                          | 1   |       | MΩ    |       |
| Active Supply Current     | $I_{CC}$   | 0°C to +70°C                                 |     | 1     | mA    | 6     |
| Standby Supply Current    | $I_{STBY}$ | 0°C to +70°C                                 |     | 1.5   | μA    | 6     |
| Input Current on Each Pin |            | $0.4 < V_{IO} < 0.9 \times V_{DD}$           | -10 | +10   | μA    |       |
| Thermal Drift             |            |  |     | ±0.2  | °C    | 7     |

**SINGLE CONVERT TIMING DIAGRAM (STAND-ALONE MODE)****AC ELECTRICAL CHARACTERISTICS** (-55°C to +125°C;  $V_{DD}=2.7V$  to 5.5V)

| PARAMETERS                         | SYMBOL     | MIN    | TYP | MAX    | UNITS | NOTES    |
|------------------------------------|------------|--------|-----|--------|-------|----------|
| Temperature Conversion Time        | $T_{TC}$   |        |     | 750    | ms    |          |
| Data to CLK Setup                  | $t_{DC}$   | 35     |     |        | ns    | 8        |
| CLK to Data Hold                   | $t_{CDH}$  | 40     |     |        | ns    | 8        |
| CLK to Data Delay                  | $t_{CDD}$  |        |     | 150    | ns    | 8, 9, 10 |
| CLK Low Time                       | $t_{CL}$   | 285    |     |        | ns    | 8        |
| CLK High Time                      | $t_{CH}$   | 285    |     |        | ns    | 8        |
| CLK Frequency                      | $f_{CLK}$  | DC     |     | 1.75   | MHz   | 8        |
| CLK Rise and Fall                  | $t_R, t_F$ |        |     | 500    | ns    |          |
| $\overline{RST}$ to CLK Setup      | $t_{CC}$   | 100    |     |        | ns    | 8        |
| CLK to $\overline{RST}$ Hold       | $t_{CCH}$  | 40     |     |        | ns    | 8        |
| $\overline{RST}$ Inactive Time     | $t_{CWH}$  | 125    |     |        | ns    | 8, 11    |
| CLK High to I/O High-Z             | $t_{CDZ}$  |        |     | 50     | ns    | 8        |
| $\overline{RST}$ Low to I/O High-Z | $t_{RDZ}$  |        |     | 50     | ns    | 8        |
| Convert Pulse Width                | $t_{CNV}$  | 250 ns |     | 500 ms |       | 12       |

**AC ELECTRICAL CHARACTERISTICS** (-55°C to +125°C;  $V_{DD}=2.7V$  to 5.5V)

| PARAMETER         | SYMBOL    | MIN | TYP | MAX | UNITS | NOTES |
|-------------------|-----------|-----|-----|-----|-------|-------|
| Input Capacitance | $C_I$     |     | 5   |     | pF    |       |
| I/O Capacitance   | $C_{I/O}$ |     | 10  |     | pF    |       |

**EEPROM AC ELECTRICAL CHARACTERISTICS**(-55°C to +125°C;  $V_{DD}=2.7V$  to 5.5V)

| PARAMETER               | CONDITIONS     | MIN | TYP | MAX | UNITS  |
|-------------------------|----------------|-----|-----|-----|--------|
| EEPROM Write Cycle Time |                |     | 4   | 10  | Ms     |
| EEPROM Writes           | -55°C to +55°C | 50k |     |     | Writes |
| EEPROM Data Retention   | -55°C to +55°C | 10  |     |     | Years  |

**NOTES:**

- All voltages are referenced to ground.
- Valid for design revisions D1 and above. The supply range for Rev. C2 and below is  $4.5V \leq 5.5V$ .
- Thermometer error reflects temperature accuracy as tested during calibration.
- Logic 0 voltages are specified at a sink current of 4 mA
- Logic 1 voltages are specified at a source current of 1 mA.
- $I_{STBY}$ ,  $I_{CC}$  specified with  $\overline{DQ}$ ,  $\overline{CLK/CONV} = V_{DD}$ , and  $\overline{RST} = GND$ .
- Drift data is based on a 1000hr stress test at +125°C with  $V_{DD} = 5.5V$
- Measured at  $V_{IH} = 0.7 \times V_{DD}$  or  $V_{IL} = 0.3 \times V_{DD}$ .
- Measured at  $V_{OH} = 2.4V$  or  $V_{OL} = 0.4V$ .
- Load capacitance = 50 pF.
- $t_{CWH}$  must be 10 ms minimum following any write command that involves the E<sup>2</sup> memory.
- 250ns is the guaranteed minimum pulse width for a conversion to start; however, a smaller pulse width may start a conversion.

Компания «Океан Электроники» предлагает заключение долгосрочных отношений при поставках импортных электронных компонентов на взаимовыгодных условиях!

Наши преимущества:

- Поставка оригинальных импортных электронных компонентов напрямую с производств Америки, Европы и Азии, а так же с крупнейших складов мира;
- Широкая линейка поставок активных и пассивных импортных электронных компонентов (более 30 млн. наименований);
- Поставка сложных, дефицитных, либо снятых с производства позиций;
- Оперативные сроки поставки под заказ (от 5 рабочих дней);
- Экспресс доставка в любую точку России;
- Помощь Конструкторского Отдела и консультации квалифицированных инженеров;
- Техническая поддержка проекта, помощь в подборе аналогов, поставка прототипов;
- Поставка электронных компонентов под контролем ВП;
- Система менеджмента качества сертифицирована по Международному стандарту ISO 9001;
- При необходимости вся продукция военного и аэрокосмического назначения проходит испытания и сертификацию в лаборатории (по согласованию с заказчиком);
- Поставка специализированных компонентов военного и аэрокосмического уровня качества (Xilinx, Altera, Analog Devices, Intersil, Interpoint, Microsemi, Actel, Aeroflex, Peregrine, VPT, Syfer, Eurofarad, Texas Instruments, MS Kennedy, Miteq, Cobham, E2V, MA-COM, Hittite, Mini-Circuits, General Dynamics и др.);

Компания «Океан Электроники» является официальным дистрибьютором и эксклюзивным представителем в России одного из крупнейших производителей разъемов военного и аэрокосмического назначения «JONHON», а так же официальным дистрибьютором и эксклюзивным представителем в России производителя высокотехнологичных и надежных решений для передачи СВЧ сигналов «FORSTAR».



## JONHON

«JONHON» (основан в 1970 г.)

Разъемы специального, военного и аэрокосмического назначения:

(Применяются в военной, авиационной, аэрокосмической, морской, железнодорожной, горно- и нефтедобывающей отраслях промышленности)

«FORSTAR» (основан в 1998 г.)

ВЧ соединители, коаксиальные кабели,  
кабельные сборки и микроволновые компоненты:

(Применяются в телекоммуникациях гражданского и специального назначения, в средствах связи, РЛС, а так же военной, авиационной и аэрокосмической отраслях промышленности).



Телефон: 8 (812) 309-75-97 (многоканальный)

Факс: 8 (812) 320-03-32

Электронная почта: [ocean@oceanchips.ru](mailto:ocean@oceanchips.ru)

Web: <http://oceanchips.ru/>

Адрес: 198099, г. Санкт-Петербург, ул. Калинина, д. 2, корп. 4, лит. А